

★
T.O. 1B-26K-4

TECHNICAL MANUAL
ILLUSTRATED PARTS BREAKDOWN

USAF SERIES
B-26K
AIRCRAFT

(ON MARK)

AF42 (600) 27021

PUBLISHED UNDER AUTHORITY OF THE SECRETARY OF THE AIR FORCE

Reproduction for nonmilitary use of the information or illustrations contained in this publication is not permitted without specific approval of the issuing service. The policy for use of Classified Publications is established for the Air Force in AFR 205-1.

INSERT LATEST CHANGED PAGES. DESTROY SUPERSEDED PAGES.

LIST OF EFFECTIVE PAGES

TOTAL NUMBER OF PAGES IN THIS PUBLICATION IS 508 CONSISTING OF THE FOLLOWING:

<i>Page No.</i>	<i>Issue</i>
Title	Original
A	Original
i thru iv	Original
1-1 thru 1-12	Original
2-1 thru 2-433 . . .	Original
2-434 Blank	Original
3-1 thru 3-56	Original

* The asterisk indicates pages changed, added, or deleted by the current change.

ADDITIONAL COPIES OF THIS PUBLICATION MAY BE OBTAINED AS FOLLOWS:

USAF ACTIVITIES.—In accordance with T. O. 00-5-2.

USAF

TABLE OF CONTENTS

Section	Page
I INTRODUCTION	1-1
II GROUP ASSEMBLY PARTS LIST	2-1
Figure 1. Major Assembly Breakdown	2-1
Figure 2. B26K Aircraft General Assembly	2-2
Figure 3. LH and RH Wing Installation	2-4
Figure 4. Complete Fuselage Assembly	2-6
 SYSTEMS GROUP	
FUEL SYSTEM	
Figure 5. B26K Fuel System Installation	2-9
Figure 6. Fuselage Fixed Fuel System Installation	2-11
Figure 7. LH and RH Wing Fuel System Installations	2-13
Figure 8. LH and RH Wing Fuel System Installations	2-16
Figure 9. Bomb Bay Tank Installation (Fuel)	2-22
Figure 10. Bomb Bay Fuel Tank Assembly	2-26
Figure 11. LH and RH Nacelle Fuel Container Installations	2-28
Figure 12. LH and RH Wing Fuel Container Installations	2-30
 ENGINE OIL SYSTEM	
Figure 13. LH and RH Wing Oil System Installation	2-32
 WATER INJECTION SYSTEM	
Figure 14. Water Injection System Installation	2-38
 ENGINE AND NECELLE FIRE EXTINGUISHING SYSTEM	
Figure 15. Overall Fire Extinguishing Installation	2-41
 ANTI-ICING SYSTEM	
Figure 16. B-26K Anti-Icing System Installation	2-43
 HYDRAULIC SYSTEM	
Figure 17. LH and RH Wing Hydraulic Installation	2-46
Figure 18. Main Landing Gear Air and Hydraulic Bracketing Installations	2-51
Figure 19. Bomb Bay Door Operating Mechanism Installation	2-54
Figure 20. Fuselage Forward Section Hydraulic Installation	2-57
Figure 21. Nose Wheel Hydraulic Installation	2-60
Figure 22. Windshield Wiper Installation	2-62
Figure 23. Fuselage Hydraulic Equipment Installation	2-64
Figure 24. Fuselage Aft Section Hydraulic Installation	2-71
Figure 25. Bomb Bay Door Forward and Aft Actuating Cylinder Assembly	2-75
Figure 26. Fuselage Section Emergency Hydraulic System Installation	2-77
 DE-ICER SYSTEM	
Figure 27. B26K De-Icer System Installation	2-83
Figure 28. Fuselage De-Icer Installation	2-88
 EMERGENCY AIR BRAKE SYSTEM	
Figure 29. B-26K Emergency Air Brake Installation	2-91

TABLE OF CONTENTS (Cont)

Section	Page
OXYGEN SYSTEM	
Figure 30. Oxygen System Installation	2-94
Figure 31. Oxygen System Regulators	2-97
Figure 32. Oxygen System Filler Valve Installations	2-99
COCKPIT HEATER SYSTEM	
Figure 33. B26K Heater Installation	2-101
ELECTRICAL SYSTEM	
Figure 34. Navigation, Formation and Rotating Beacon Exterior Lights Installations	2-106
Figure 35. LH and RH Wing Electrical Installation	2-108
Figure 36. Battery, Hose and Latch Switch Installations	2-114
Figure 37. LH and RH Nacelle Junction Box Assemblies	2-117
Figure 38. LH and RH Wheel Well Junction Box Assembly	2-119
Figure 39. Fuselage Section Electrical Installation (Sta 0 to 120)	2-123
Figure 40. Fuselage Section Electrical Installation	2-128
Figure 41. Main Circuit Breaker, Time Delay Relays and Pilots Pedestal Panel Assemblies	2-132
Figure 42. Pilots Sub and Gunsight Control Panel Assemblies	2-135
Figure 43. Overhead Center Switch and Cockpit Disconnect Panel Assemblies	2-137
Figure 44. Generator Control, Fuel Boost Rheostat, and Pilots Terminal Panel Assemblies	2-139
Figure 45. Aft Bomb Bay Upper and Lower Relay and Camera Terminal Panel Assemblies	2-141
Figure 46. Station O Junction Box Assembly	2-143
Figure 47. Nose Wheel and Ignition Junction Box Assemblies	2-145
Figure 48. Jettison Relay and MM2 Junction Box Assemblies	2-147
Figure 49. Aft Relay Shield, Sta 285 Junction Box Assembly	2-150
Figure 50. P2 Strike Camera and Inverter Junction Box Assemblies	2-152
Figure 51. Nose Wheel Latch Down, Bomb Bay Door Closed, and Bomb Door Safety Switch Installations	2-155
Figure 52. Bus Terminal Assemblies	2-158
Figure 53. Hytrol Control Unit Mounting Bracket and Propeller Reverse Throttle Control Box Assemblies	2-159
Figure 54. Control Propeller Reversing Pull Box, Bomb Bay Filter and F477 DC Power Sensor Box Assemblies	2-161
COMMUNICATION AND NAVIGATION SYSTEM	
Figure 55. Communication and Navigation Installation	2-163
Figure 56. B26K Antenna Installation	2-170
CONTROL SYSTEM	
Figure 57. LH and RH Wing Fuel System Control Installation	2-174
Figure 58. LH and RH Wing Flight Control Installations	2-176
Figure 59. LH and RH Wing Flight Control Installations	2-180
Figure 60. LH Wing Engine and Propeller Control Installation	2-183
Figure 61. RH Wing Engine and Propeller Control Installation	2-188
Figure 62. LH and RH Wing Flap Operating Mechanism Installations	2-193
Figure 63. Fuselage Section Flap Operating Mechanism Installation	2-197
Figure 64. Fuselage Section Flight Control Installation	2-198
Figure 65. Fuselage Flight Controls and Cable Guard Installations	2-203
Figure 66. Dual Controls Installation	2-207
Figure 67. Pilot's Rudder Pedal and Brake Installation	2-211
Figure 68. Co-Pilot's Brake Mechanism Installation	2-215
Figure 69. Pilot's Control Column Installation	2-217
Figure 70. Co-Pilot's Quick Disconnect Control Column Installation	2-220

TABLE OF CONTENTS (Cont)

Section	Page
Figure 71. Control Pedestal Installation	2-223
Figure 72. Cockpit Pedestal Control Assembly	2-227
Figure 73. Trim Tab and Selector Control Assemblies	2-232
Figure 74. Upper and Lower Pedestal Control and Pulley Bracket Installation	2-235
Figure 75. Fuselage Aft Section Flight Control Installation	2-240
Figure 76. Fuselage Sta 474 Flight Control Installation	2-243
INSTRUMENT SYSTEM	
Figure 77. LH and RH Wing Instrumentation Installations	2-247
Figure 78. Fuselage Section Instrument Installation	2-251
Figure 79. Pilots Compartment Instrument Installation	2-255
Figure 80. Main Instrument Panel Installation	2-258
MAIN LANDING GEAR	
Figure 81. Main Landing Gear Installation	2-265
Figure 82. Main Landing Gear Actuating Cylinder Assembly.	2-271
NOSE GEAR	
Figure 83. Nose Wheel Gear Installation	2-272
Figure 84. Nose Wheel Retracting Mechanism, and Actuating Cylinder Assemblies	2-276
Figure 85. Nose Wheel Snubber Assembly	2-279
FUSELAGE FURNISHINGS	
Figure 86. Fuselage Furnishings Installation	2-280
Figure 87. Pilot's and Co-Pilot' Seat Assemblies	2-284
Figure 88. Forward Gunner Seat Installation	2-286
Figure 89. Improved Crew Escape Kit Installation	2-288
ARMAMENT EQUIPMENT	
Figure 90. Fuselage Armament Installation	2-290
Figure 91. Bomb Hoist Installation	2-295
Figure 92. External Wing Stores Pylon Installation	2-298
Figure 93. Armament Control Panel Assembly	2-301
Figure 94. Fuselage Pneumatic Gun Charging Equipment Installation	2-302
Figure 95. B26K Fuselage Armor Installation	2-304
Figure 96. Torpedo Alternate Provision Installation	2-306
Figure 97. Torpedo Alternate Kit Assembly	2-309
Figure 98. Eight Gun Nose Installation	2-310
Figure 99. Eight Gun Nose Installation	2-313
RECONNAISSANCE EQUIPMENT	
Figure 100. Reconnaissance Nose Assembly	2-318
Figure 101. Bombardier (Reconn) Nose Access Door Installation	2-320
Figure 102. Reconnaissance Kit Installation	2-324
Figure 103. Fuselage Sta 30 Forward Oblique Camera Control Unit Assembly	2-328
Figure 104. Fuselage KA56 Camera Installation	2-330
Figure 105. Fuselage F477 Camera Installation	2-332
Figure 106. Fuselage K38 or KA2 Camera Installation	2-334
Figure 107. Ejector and Aft Compartment Crewmans Seat Installation	2-336
Figure 108. Camera Control Instrument Installation	2-338
POWER PLANT	
Figure 109. B26K Aircraft Power Plant Installation	2-340

TABLE OF CONTENTS (Cont)

Section	Page
WING STRUCTURE	
Figure 110. LH and RH Wing Structure Panel Assemblies	2-346
Figure 111. LH and RH Wing Oil Cooler Ducting Installations	2-350
Figure 112. Nacelle Structure and Door Assemblies	2-351
Figure 113. LH and RH Aileron Installation	2-356
Figure 114. LH and RH Wing Flap Installations	2-358
Figure 115. LH and RH Wing Flap Installations	2-365
Figure 116. LH and RH Wing Panel Structure Assemblies	2-369
EMPENNAGE	
Figure 117. Empennage Installation	2-373
Figure 118. Rudder and Tab Installation	2-379
Figure 119. LH and RH Elevator Trim Tab Mechanism Installations	2-384
Figure 120. Rudder Trim Tab Mechanism Installation	2-386
FUSELAGE STRUCTURE	
Figure 121. Fuselage Aft Section, Tail Cone and Structure Assembly	2-387
Figure 122. Fuselage Tunnel and Camera Access Doors Installations	2-389
Figure 123. Aft Compartment Escape Hatch Assembly	2-392
Figure 124. Fuselage Bomb Bay Door Installation	2-394
Figure 125. Bomb Bay Spoiler Installation	2-396
Figure 126. Nose Wheel Door Installation	2-398
Figure 127. Pilots Cockpit Enclosure Installation	2-402
Figure 128. Pilots Enclosure Doors	2-406
Figure 129. Pilots Cockpit Enclosure Door Mechanism Installation	2-410
Figure 130. Pilots Cockpit Windshield and Dome Glass Installation	2-415
Figure 131. Gunner Enclosure Installation	2-416
Figure 132. Fuselage Main Structure Assembly	2-420
EXTERNAL MARKINGS	
Figure 133. B-26K External Markings Installation	2-424
SPECIAL SUPPORT EQUIPMENT	
Figure 134. Bomb Bay Ferry Tank Installation	2-428
Figure 135. Modified B-26 Aircraft External Removable Fuel Tank	2-430
SPECIAL SERVICE TOOLS	
Figure 136. Special Service Tools	2-432
II. NUMERICAL INDEX	

SECTION I
INTRODUCTION

1-1. SCOPE AND PURPOSE.

1-2. This illustrated parts breakdown lists, describes and illustrates the items necessary for support of the Model B-26K Aircraft manufactured by On Mark Engineering Company. The publication is designed to be used for identifying and ordering parts. Do not use as an authority for operation, service, maintenance, or repair as such information is given in other appropriate technical manuals.

1-3. CONTENTS

1-4. The illustrated parts breakdown is divided into Section II, Group Assembly Parts List and Section III, Numerical Index.

1-5. SECTION II - GROUP ASSEMBLY PARTS LIST.

1-6. This section consists of illustrations and tabular parts lists. Each illustration is keyed to its corresponding parts list by a figure number. Assemblies, subassemblies, and detail parts are keyed to the illustration by index numbers. The index numbers are sequenced and listed in the order of disassembly, except for attaching parts which are listed following the item they attach. The relationship of each part to the next higher assembly is shown by indentation. The group assembly parts list page is composed of five columns.

1-7. FIGURE AND INDEX NUMBER COLUMN. This column gives the figure number of the illustration in which the parts are shown and the index numbers by which the parts may be identified.

1-8. PART NUMBER COLUMN. This column gives the manufacturer's part number to be used to identify the item. Commercial hardware procurable from normal commercial sources are listed as "COML." Parts which have not been assigned an identifying part number are listed as "NO NUMBER."

1-9. DESCRIPTION COLUMN. This column contains a brief description of each item listed. For items not identified by On Mark Engineering Company part numbers or by Government standard part numbers, the description includes the manufacturer's five-digit Federal supply code in parentheses. The legends for these codes are listed in paragraph 1-25. If a Federal supply code is not available, the manufacturer's name and address is entered in the description column.

1-10. The assembly order is maintained by a system of indentation of the installation, assembly and part titles. By this method, an assembly listed in column one will have its component details listed in column two and, in turn, if a component detail is also an assembly, its component details will be listed in column three, etc. In this manner it is possible to determine the parts that will be received if an assembly is ordered. Attaching parts such as bolts, screws, washers, nuts, etc, are listed in the same column and immediately following the parts they attach.

1-11. UNITS PER ASSEMBLY COLUMN. This column contains the quantity or number of units required on the next higher assembly for the particular application shown on the illustration. When the detail listings of similar assemblies have been combined, the detail parts and subassemblies common to all of the combined assemblies will show the number of units required for one of the assemblies only. The symbol "REF" in this column indicates an entry which has been listed for references purposes only. The symbol "AR" means "as required" and is shown when the quantity or application of an item cannot be determined prior to assembly of the article.

1-12. USABLE ON CODE COLUMN. This column contains coding for assemblies and/or individual parts to indicate specific usability on particular aircraft. Explanation of the codes is given at the bottom of the applicable page. The absence of a code in this column indicates that the parts so shown are usable as replacements for full effectivity on all aircraft covered by this publication.

1-13. SECTION III - NUMERICAL INDEX.

1-14. This section consists of a numerical listing or index of all parts listed in the group assembly parts list, the locating figure and index number, total quantity required, source code and repair code.

1-15. PART NUMBER COLUMNS. The index is arranged in alpha-numerical sequence by part number, starting at the extreme left-hand position and continuing from left to right, one position at a time, until all parts are arranged in their proper sequence. The order of precedence for the extreme left or first position of the part number is: (1) letters A through Z and (2) numerals 0 through 9. In continuing the alpha-numerical arrangement, the order of precedence

on the second and succeeding positions of the part number from left to right is as follows:

- (1) Space (blank column)
- (2) Diagonal (/)
- (3) Period or point (.)
- (4) Dash (-)
- (5) Letters A through Z
- (6) Numerals 0 through 9

NOTE

Alphabetic "O" is considered a numeric zero. Alphabetic "T" and numeric "1" are considered as separate characters. Commercial parts (COML) and other parts to which part numbers are not assigned (NO NUMBER) are listed in sequence, considering the identifying noun as the part number.

Example:

AN935A10	B1066	21
AN935A1016	B20-5	3044S4
AN936B10	CABLE	3113133
A1002	0448	4204622
A101A	100A	5A6
A1010	2032416-1404	645
BA2	2099-8	

1-16. **FIGURE AND INDEX NUMBER COLUMN.** This column shows the figure and index number, as applicable, for each part listed in the group assembly parts list. Except, first appearance only for Government Standard Parts.

1-17. **QUANTITY PER ARTICLE COLUMN.** This column contains the total quantity per aircraft for each part.

1-18. **SOURCE CODE COLUMN.** This column contains the government-assigned source code, when and if assigned, for each part or assembly. The source code definitions contained in paragraph 1-19 determine the source status in the supply system of items so coded.

1-19. **Source Codes.** The source code definitions are as follows:

a. CODE "P" - PARTS UNDER INVENTORY STOCK CONTROL:

(1) CODE "P" identifies parts which may be requisitioned and installed by any level of maintenance consistent with the Command's authorized scope of maintenance. Code "P" is applied to parts on which usage is anticipated or known. Restricted (emergency) service manufacture code "P" items is considered practical but may be accomplished only after confirmation on non-availability from supply sources.

(2) CODE "PD" identifies parts which may be requisitioned and installed by AF activities authorized depot-level maintenance only. Code "PD" is applied to parts on which usage is anticipated or known. Restricted (emergency) service manufacture of code "PD" parts is considered practical but may be

accomplished only after confirmation of nonavailability from supply sources.

(3) CODE "P1" identifies parts which may be requisitioned and installed by any maintenance level consistent with the Command's authorized scope of maintenance. Code "P1" is applied to parts on which usage is anticipated or known, and for which service manufacture is considered impractical.

(4) CODE "P1D" identifies parts which may be requisitioned and installed by AF activities authorized depot-level maintenance only. Code "P1D" is applied to parts on which usage is anticipated or known, and for which service manufacture is considered impractical.

(5) CODE "P2" identifies insurance-type spare parts which can be installed by any AF activity consistent with the Command's authorized scope of maintenance. This code is applied to such parts which are basically structural and for which no usage is anticipated or known: require special tools, templates and/or jigs and are very difficult, impractical, or uneconomical to manufacture by AF activities. These items are not subject to periodic replacement or wearout but may require infrequent replacement as a result of accidents or other unexpected occurrences. Delayed procurement items, as defined in AMCM 400-1, are included under this code.

(6) CODE "P2D" identifies insurance-type parts which may be installed by AF activities which are authorized depot-level maintenance only. This code is applied to parts as described under code "P2" and to delayed procurement items referenced in AMCM 400-1.

b. CODE "M" - MANUFACTURE PARTS. NOT PROCURED:

(1) CODE "M" identifies parts, the manufacture and installation of which is within the capabilities of field maintenance activities; and to which all of the following conditions apply:

(a) Procurement is not justified because of low usage or peculiar storage and installation factors. Needs are to be met by local manufacture only as required.

(b) Their manufacture does not require tools, equipment, or skills not normally authorized at field maintenance level.

(c) Does not require test equipment not normally authorized at field maintenance level.

(d) Does not require material not normally available in Air Force inventory.

(2) CODE "M1" identifies parts which can be manufactured at activities authorized depot-level

maintenance facilities and to which all of the following conditions apply:

(a) Procurement is not justified because of low usage or peculiar storage and installation factors. The need of base activities are to be met by requisitioning from the geographical AMA, LSM, AMA, or IM AMA/AFD.

(b) Their manufacture is beyond capabilities of field maintenance activities as outlined above.

(c) Their manufacture does not require tools or equipment not normally authorized at all AMAs.

c. CODE "A" - ASSEMBLE, ASSEMBLY, NOT PROCURED:

(1) CODE "A" identifies items capable of being assembled at any level of maintenance and is applied to assemblies of two or more parts, the majority of which are purchased and/or service manufactured.

(2) CODE "A1" identifies assemblies which can be assembled at AF activities authorized depot-level maintenance only and is applied to assemblies described under "A" code.

d. CODE "X" - PARTS CONSIDERED IMPRACTICAL FOR SERVICE MANUFACTURE OR PROCUREMENT AND FOR WHICH NO USAGE IS ANTICIPATED:

(1) CODE "X" is applied to main structural members or similar parts, which, if required, would suggest extensive repair. The need for a part or parts coded "X" (wing spars, center section structure, etc.) should normally result in a recommendation to retire the article from service.

(2) CODE "X1" identifies parts applicable at any level of maintenance consistent with the Command's authorized scope of maintenance and for which it is more feasible to obtain the next higher assembly; for example, an integral detail part such as a welded segment inseparable from its assembly; a part machined in a matched set; or a part of any assembly which, if required, would suggest extensive reconditioning of such assembly. In some cases, code "X1" may be used to indicate an integral detail part of an assembly which has no anticipated usage and as an assembly was source-coded "M" or "M1."

(3) CODE "X1D" identifies parts described under the "X1" code but which are applicable to AF activities authorized depot-level maintenance only.

(4) CODE "X2" identifies parts applicable to any level of maintenance consistent with the Command's authorized scope of maintenance, for which there is no anticipated usage, and which are impractical for service manufacture. This type of item will not be stocked. Such parts shall be obtained from reclamation or, if not available from this source, requisitioned through normal supply channels together with supporting justification for one-time procurement and immediate use. Repeated requests shall justify

a change to a code "P1" or "P2", as applicable, if considered economical to procure and store such parts.

(5) CODE "X2D" identifies parts described under the "X2" code but which are applicable to AF activities authorized depot-level maintenance only. Repeated requests for such parts shall justify a change to a "P1D" or "P2D" code, as applicable, if considered economical and feasible to procure and stock such parts.

e. CODE "U" - PARTS NOT PROCURED, MANUFACTURED, OR STOCKED.

(1) CODE "U" is applied to installation drawings, diagrams, instruction sheets, field-service drawing numbers, and parts not otherwise of supply significance, including obsolete parts, which cannot be procured or service manufactured.

f. CODE "C" - CURE DATED PARTS KIT.

(1) CODE "C" is applied to kits containing parts that have a specific period of time (cure-date) to remain in storage without affecting their service-ability and are subject to deterioration due to aging or exposure. The cure-date for the kit is established on the shortest life item within the kit. C-Kit contains parts required for maintenance and overhaul and will be used in conjunction with Overhaul (Code "D") Repair Kits and/or Minor or Field (Code "F") Repair Kits, as applicable.

g. CODE "D" - MAJOR OVERHAUL PARTS KIT.

(1) CODE "D" is applied to kits which are available only to maintenance activities authorized to perform depot or major overhaul. These kits do not contain cure-dated parts.

h. CODE "F" - MINOR OR FIELD PARTS KIT.

(1) CODE "F" is applied to kits which are available to maintenance activities authorized to perform minor or field repair, including overhaul activities in support of field activities. These kits do not contain cure-dated parts.

i. CODE "KC" - COMPONENT OF C-KIT. Code "KC" is applied to items which are components of a C-Kit.

j. CODE "KD" - COMPONENT OF D-KIT. Code "KD" is applied to items which are components of a D-Kit.

k. CODE "KF" - COMPONENT OF F-KIT. Code "KF" is applied to items which are components of an F-Kit.

l. CODE "KB" - COMPONENT OF BOTH F-KIT AND D-KIT. Code "KB" is applied to items which are components of both an F-Kit and a D-Kit.

(1) Items which are source coded "KC," "KD," "KF," or "KB," and for which the application of such

items are peculiar to repair kits, will not be stocked separately and will not be assigned any additional source codes.

(2) Item which are source-coded "KC," "KD," "KF," or "KB," and for which the application of such items are common to repair kits and to other repair or overhaul applications, will be stocked separately in the appropriate commodity class if followed by the letter "P." However, Military and Industry Standard Items and Bulk Materials (defined in AMCR 67-35) which have multi-purpose application (repair kits as well as other repair and overhaul purposes) will be stocked separately but will not be assigned source codes.

1-20. MAINTENANCE/REPAIR LEVEL CODE DEFINITIONS.

1-21. Maintenance and repair level codes as used in the Repair Code Column of the Numerical Index, are defined as follows:

a. CODE "S" - NO REPAIR.

(1) CODE "S" identifies items which are nonrepairable and have no reclamation value. When these items fail they will be disposed of at user level as condemned material.

b. CODE "B" - NO REPAIR, RECONDITION.

(1) CODE "B" identifies assemblies or parts that will be reconditioned at the user level by adjusting, cleaning, soldering broken connections, etc.—If these items cannot be returned to serviceable condition by such means they will be disposed of at user level as condemned material. No repair parts or tools are specially procured for maintenance of these items.

c. CODE "F" - FIELD LEVEL MAINTENANCE.

(1) CODE "F" identifies items which will be repaired by the field level maintenance activities or contracted for repair at base level in accordance with T.O. 00-25-68. Normal servicing will be done by organization level maintenance. Selected parts, tools, and technical order data are procured and provided to applicable field level maintenance activities for repair of these items. No specialized repair activity (SRA) is established for these items. If they cannot be returned to serviceable condition by the field level maintenance activity with the parts and tools provided they will be disposed of as condemned material. Hi Value and Critical items, however, will be turned in to supply and disposition instructions obtained from applicable IM.

d. CODE "D" - LIMITED FIELD REPAIR: DEPOT OVERHAUL.

(1) CODE "D" identifies items on which a limited degree of repair can be accomplished by field level maintenance activities. Normal servicing will be done at organizational level. SRA is established for overhaul of these items. A range of repair parts, tools, and technical order data consistent with the

capability of repair are procured and provided to applicable field maintenance activities. Because of the design characteristics and complexity of repair, the degree of repair which is authorized on these items on field maintenance level is necessarily determined by the degree of technical skills required and the cost of special tools, special test equipment, spare parts, and the predicted frequency of failure generation. If these items cannot be returned to serviceable condition with authorized parts and tools they will be returned to supply for shipment to the designated SRA.

e. CODE "DM" - LIMITED FIELD REPAIR: MOBILE DEPOT OVERHAUL.

(1) CODE "DM" identifies items to which all the conditions of code "D" apply except that repair beyond field capability will be done by the Mobile Depot Activity (MDA). If the MDA cannot repair these items they will determine whether these items should be condemned or sent to the SRA.

f. CODE "L" - DEPOT LEVEL: MAINTENANCE ONLY.

(1) CODE "L" identifies items that will be repaired only at designated SRA. Repair parts and tools for repair are procured and provided only to these authorized activities. Required functional checkout and bench check equipment may be provided to applicable organizational and field level maintenance activities for accomplishing external adjustment or calibration and for verifying serviceability of these items. ~~If they are found unserviceable they will be turned into supply for shipment to the SRA.~~

g. CODE "LM" - DEPOT LEVEL MAINTENANCE ONLY: MOBILE DEPOT ACTIVITY.

(1) CODE "LM" identifies items to which all conditions of Code "L" apply except that repair will be accomplished by MDA. If MDA cannot repair these items, they will determine whether these items should be condemned or sent to the SRA.

1-22. CROSS-INDEX SYSTEM.

1-23. The continuity of illustrations and breakdown listings and their relationship to the aircraft covered by this publication is maintained by parenthetical figure cross-reference notes following the descriptions of the items being referenced. By referring to the figure number indicated in the cross-reference note, the detailed breakdown of the item being referenced may be located; for example, (FOR DETAILS SEE FIG. 9). The detailed breakdown, in turn, is referenced back to the original callout for the next higher assembly and the units per assembly.

1-24. REFERENCE TECHNICAL ORDERS. Items covered in detail by other technical manuals are listed as assemblies only and include the note "(FOR DETAILS SEE T.O. ----)." No breakdown is shown for these items.

1-25. MANUFACTURER'S CODES.

1-26. The following manufacturer's codes, in accordance with Cataloging Handbook H4-1, appear in this publication:

<u>Code</u>	<u>Name and Address</u>	<u>Code</u>	<u>Name and Address</u>
		07690	Lear Siegler Inc Astronics Division Santa Monica Calif
00194	Walsco Electronics Corp Los Angeles Calif	08717	Sloan Co Sun Valley Calif
00502	Adel Precision Products Div of General Metals Corp Burbank Calif	09049	Custom Component Switches Inc Chatsworth Calif
00656	Aerovox Corp New Bedford Mass	12143	Bendix Corp The Scintilla Plant of Sidney N Y Santa Ana Calif
02295	General Purpose Control Bloomington Ill	13002	Cleveland Pneumatic Tool Co Cleveland Ohio
03033	Leed Insulator Co Los Angeles Calif	13044	Aviation Instrument Mfg Corp Houston Tex
03296	Nylon Molding Corp Garwood N J	13636	Barry Controls Western Division of Barry Wright Corp Glendale Calif
03481	Goodrich B. F. Co Aerospace and Defence Products Division Akron Ohio	14650	Cornelius Co Minneapolis Minn
03615	Westfield Sheetmetal Inc Kinelworth N J	15605	Cutler Hammer Inc Milwaukee Wis
04445	Atlas Engineering Co Glendale Calif	16258	Space-Lok Inc Burbank Calif
05167	American-Standard Controls Division of American Radiator and Standard Sanitary Corp Monrovia Calif	16688	De Jur Amsco Corp Long Island City N Y
05229	On-Mark Engineering Co Van Nuys Calif	18355	Douglas Aircraft Co Inc Santa Monica Calif
05624	Barber-Colman Co Rockford Ill	18702	Ducommun Metals and Supply Co Los Angeles Calif
06327	Airmark Co Burbank Calif	19315	Bendix Corp The Eclipse-Pioneer Division Teterboro N J
06650	Bell and Howell Co Chicago Ill	19557	Edwards Co Inc Norwalk Conn
06848	Bendix Products Aerospace Division of Bendix Corp South Bend Ind	21335	Fufmer Bearing Co The New Britain Conn
07111	Cleveland Pneumatic Industries Inc Cleveland Ohio	21760	Federal Bearings Co Inc Poughkeppsie N Y
07187	Sperry Phoenix Co Division of Sperry Rand Corp Phoenix Ariz	24446	General Electric Co Schenectady N Y
		24455	Lamp Division of Consumer Products Group GEICO Nela Park Cleveland Ohio

**Section I
Introduction**

T.O. 1B-26K-4

<u>Code</u>	<u>Name and Address</u>	<u>Code</u>	<u>Name and Address</u>
25472	Goodrich B. F. Tire Co Akron Ohio	63510	Walcott Taylor Co The Bethesda Ind
31189	Interstate Engineering Corp Anaheim Calif	64560	Weldon Tool Co Cleveland Ohio
31435	Lear Siegler Inc Power Equipment Division Maple Heights Ohio	70095	Actus Corp Mt Vernon N Y
33525	Kidde Walter and Co Inc Belleville N J	70128	Aeroquip Corp Aircraft Division Western Plant Burbank Calif
35344	Leach Corp Leach Relay Co Division Los Angeles Calif	70138	Aero Supply Mfg Co Inc Corry Pa
37942	Mallory P R and Co Inc Indianapolis Ind	70210	Airesearch Mfg Division of Garrett Corp Los Angeles Calif
38443	Marlin-Rockwell Corp Jamestown N Y	70214	Airpath Instrument Co Bridgeton Mo
40931	Honeywell Inc Minneapolis Minn	70417	Amplex Div of Chrysler Corp Detroit Mich
43999	North American Aviation Inc Los Angeles Calif	71041	Boston Gear Works Division of Murray Co of Texas Quincy Mass
44655	Ohmite Mfg Co Skokie Ill	71286	Camloc Fastener Corp Paramus N J
45681	Parker-Hannifin Corp Cleveland Ohio	71400	Bussman Mfg Division of McGraw-Edison Co St Louis Mo
45722	Parker Kalon Div of American Transportation Corp Clifton N J	71447	California Spring Co Inc Pico-Rivera Calif
49671	Radio Corp of America New York N Y	71468	ITT Cannon Electric Inc Los Angeles Calif
51588	Roller Bearing Co of America Trenton N J	71755	Crown Fastener Corp Warren R I
53750	Seaboard Electronic Corp Plainview Long Island N Y	71863	Dayton Mfg Co Inc Dayton Ohio
56232	Sperry Gyroscope Co Division of Sperry Rand Corp Great Neck N Y	72314	Fairchild Camera and Instrument Corp Defense Products Division Syoset L I N Y
59875	Thompson Ramo Wooldridge Inc Cleveland Ohio	72429	Sargent Fletcher Co El Monte Calif
60380	Torrington Co The Torrington Conn	72794	Dzus Fastener Co Inc West Islip N Y
61349	United States Guage Division of Ametak Inc Sellersville Pa	72914	Grimes Mfg Co Urbana Ohio
61864	United-Carr Fastener Corp Boston Mass		

<u>Code</u>	<u>Name and Address</u>	<u>Code</u>	<u>Name and Address</u>
72962	Elastic Stop Nut Corp of America Union N J	77969	Rubbercraft Corp of Calif Ltd Torrance Calif
73030	Hamilton Standard Div of United Aircraft Corp Windsor Locks Conn	78189	Shakeproof Division of Illinois Tool Works Elgin Ill
73110	Harville Corp Los Angeles Calif	78385	South Wind Division of Stewart Warner Corp Indianapolis Ind
73168	Fenwall Inc Ashland Mass	78553	Tinnerman Products Inc Cleveland Ohio
73324	Hydropack Los Angeles Calif	79200	Warwick Machine Co Newport News Va
73949	Guardian Electric Mfg Inc Chicago Ill	79318	Whittaker Wm R Co Ltd Los Angeles Calif
74144	Cam Stat Inc Los Angeles Calif	80201	Chicago Rawhide Mfg Co Chicago Ill
75361	Koehler Aircraft Products Co Dayton Ohio	80477	Adams Rite Mfg Co Glendale Calif
76005	Lord Mfg Co Erie Pa	81312	Winchester Electronics Co Inc Norwalk Conn
76197	Curtiss-Wright Corp Marquette Division Cleveland Ohio	81640	Control Switch Division Controls Co of America Folcraft Pa
76374	Mechanical Products Inc Jackson Mich	81724	Pep Boys Manny Moe and Jack Inc Philadelphia Pa
76462	Delco Moraine Division of General Motors Corp Dayton Ohio	81818	Meletron Corp Los Angeles Calif
76561	Moorlee Manufacturing Co Los Angeles Calif	81896	Airite Products Co Los Angeles Calif
77068	Bendix Pacific Division of Bendix Corp North Hollywood Calif	81947	Preco Inc Los Angeles Calif
77138	Paul Henry Inc New York N Y	81957	Fairchild Camera and Instrument Corp Aerial Surveys Division Los Angeles Calif
77221	Phaotron Instrument and Electronic Co South Pasadena Calif	81978	Skinner Electric Valve Division of Skinner Precision Industries Inc New Britain Conn
77763	Borden Chemical Co Resinite Dept Santa Barbara Calif	81982	Hydro-Aire Inc Burbank Calif
77896	Shafer Bearing Division of Chain Belt Co Downers Grove Ill	82647	Metals and Controls Inc Spencer Products Attleboro Mass

<u>Code</u>	<u>Name and Address</u>	<u>Code</u>	<u>Name and Address</u>
83014	Hartwell Corp Los Angeles Calif	92003	Parker Aircraft Co Los Angeles Calif
83187	Goodrich B F Tire Co Akron Ohio	93319	Bell and Howell Co Los Angeles Calif
83945	Aerotherm Division of Aerotec Industries Inc Bantam Conn	93796	Lambert Engineering Co St Louis Mo
86174	Fafnir Bearing Co The Los Angeles Calif	93929	G-V Controls Inc Livingston N J
86547	Pollak Luminescent Corp Chicago Ill	96192	Standard Plastic Co Attleboro Mass
87034	Marco Industries Co Anaheim Calif	96483	Royal Jet Inc Alhambra Calif
87121	Meepos Machine Co Los Angeles Calif	96655	California Plasteck Inc Los Angeles Calif
88140	Cutler-Hammer Inc Lincoln Ill	97375	Air Lock Inc Milford Conn
88322	Beam Mfg Div of Solar Corp Webster City Iowa	97707	Noris Instruments Ltd New York N Y
88537	Aro Equipment Corp Cleveland Ohio	97876	Kidde Walter-Pacific Co Van Nuys Calif
88917	Bendix Aviation Corp Teterboro N J	99486	Aero Safety Equipment Co Los Angeles Calif
89305	Simmonds Aerocessories Inc Vergennes Vermont	99551	Bendix Aviation Corp Utica Division Utica N Y
89484	Air Associates Inc Glendale Calif	99707	Control Switch Division Controls Co of America El Segundo Calif
89513	Janitrol Aero Division of Midland-Ross Corp Columbus Ohio		Aircraft Tank Service Burbank Calif
89944	Kollsman Instrument Corp Elmhurst N Y		Aero Seal Mfg Co Los Angeles Calif
90005	Bendix Filter Division of Bendix Corp Royal Oak Mich		Avion Instrument and Repair Corp Burbank Calif
91812	Janco Corp Burbank Calif		Deeder Root Hartford Conn
91833	Keystone Electronics Corp New York N Y		Haltrac Limited Bourne Works London England
91929	Minneapolis-Honeywell Regulator Co Micro Switch Division Freeport Ill		Ruffcorn Fastener Co Culver City Calif
			United Tent and Supply Los Angeles Calif

1-27. STOCK NUMBERS.

1-28. The policy of including stock number information in IPB manuals has been discontinued. See S-00-1-1, USAF Master Cross-Reference Index, for converted part number to stock number information.

1-29. ABBREVIATIONS AND DEFINITIONS

1-30. Abbreviations used are limited to forms listed in Standard MIL-STD-12B. Other essential abbreviations are as follows.

<u>Abbreviations</u>	<u>Definitions</u>
ADF.....	Automatic Direction Finder
ADI.....	Anti-Detonant Injection
AMA.....	Air Material Area

<u>Abbreviations</u>	<u>Definitions</u>
DC.....	Direct Current
ILS.....	Instrument Landing System
INSTL.....	Installation
J-BOX.....	Junction Box
JAN.....	Joint Air Force-Navy
MDA.....	Mobile Depot Activity
MECH.....	Mechanism
NHA.....	Next Higher Assembly
NP.....	Nonprocurable
P/N.....	Part Number
QCU.....	Quick Change Unit
RMI.....	Radio Magnetic Indicator
SIF.....	Selective Identification Feature
SRA.....	Specialized Repair Activity
T.O.....	Technical Order
UHF.....	Ultra-high Frequency
UNF.....	Unified Fine Thread
VOR.....	Visual Omni Range

HOW TO USE THE ILLUSTRATED PARTS BREAKDOWN

Section II Group Assembly Parts List

Table of Contents

Section	Page
SECTION I - INTRODUCTION	1-1
SECTION II - GROUP ASSEMBLY PARTS LIST	2-1
MAJOR ASSEMBLY BREAKDOWN	2-1
SYSTEMS GROUP	2-2
Overall Fuel System	2-2
LH and RH Tip Tank Installation	2-4
Wing LH and RH Fuel System Installation (Part 1)	2-6
Wing LH and RH Fuel System Installation (Part 2)	2-9
Bomb Bay Ferry Tank Installation	2-13
Bomb Bay Tank Installation	2-15
Nacelle and Wing Fuel Container Installation	2-16
Overall Emergency Brake Air System	2-20
Overall Fire Extinguishing System	2-22
Exterior Lighting Installation	2-23
Anti-Icing System Installation	2-25
De-Icing System Installation	2-26
External Markings Installation	2-30
WING GROUP	2-35
LH and RH Wing Installation	2-35
Wing LH and RH Panel Assembly	2-37
Wing LH and RH Parking Installation and Rod Assembly	2-38
Facelle Structure Assembly and Door Assembly	2-41
Wing LH and RH Afterson Installation	2-44
Wing LH and RH Flap Installation (Part 1) (Outboard)	2-46
Wing LH and RH Flap Installation (Part 2) (Inboard)	2-52
Wing Fuel System LH and RH Control Installation	2-55
Wing LH and RH Oil System Installation	2-57
Wing LH and RH Hydraulic Installation	2-62
Wing LH and RH Instrument Installation	2-65
Wing LH and RH Flight Control Installation (Part 1)	2-71
Wing LH and RH Flight Control Installation (Part 2)	2-74
Wing Engine and Propeller LH Control Installation	2-76
Wing Engine and Propeller RH Control Installation	2-80
Wing Flap Operating LH and RH Mechanism Installation	2-84
Wing Anti-Detonation Injection System	2-87
Wing LH and RH Electrical Installation	2-89
Electrical System Details	2-92
Electrical System Details	2-94
Wing Panel LH and RH Structure Assembly	2-97
POWER PLANT GROUP	2-100
Power Plant Installation	2-100
LANDING GEAR GROUP	2-104
Main Landing Gear Installation	2-104
Main Landing Gear Actuating Cylinder Assembly	2-109
Nose Wheel Gear Installation	2-110
Nose Wheel Retracting Mechanism Assembly and Actuating Cylinder Assembly	2-113
Nose Wheel Snubber Assembly	2-116

Group Assembly Parts List

FIG AND INDEX NO	PART NUMBER	DESCRIPTION	UNITS PER ASSEMBLY	TABLE NO
1	26-6006-1	FUEL SYSTEM, OUTBOARD	1	1
2	26-1015-1	TANK INSTL, WING TIP LH (FOR DT TANK SEE FIG. 3)	1	2
3	26-1015-2	FUEL SYSTEM, WING TIP LH (FOR DT TANK SEE FIG. 3)	1	3
4	26-6004-1	TANK INSTL, WING TIP RH (FOR DT TANK SEE FIG. 3)	1	4
5	26-6004-2	FUEL SYSTEM, WING TIP RH (FOR DT TANK SEE FIG. 3)	1	5
6	26-6004-3	TANK INSTL, BOMB BAY (FOR DETAILS SEE FIG. 4 AND 5)	1	6
7	26-6004-4	FUEL SYSTEM, BOMB BAY (FOR DETAILS SEE FIG. 4 AND 5)	1	7
8	26-6004-5	VALVE ASSY, CHOSE PIP L SELECTOR	1	8
9	26-6004-6	BOLT (AP)	1	9
10	26-6004-7	WASHER (AP)	1	10
11	26-6004-8	VALVE ASSY, FUEL SELECTOR (FOR DT TANK SEE FIG. 3)	1	11
12	26-6004-9	T.O. 659-2-1-34 (C)	1	12
13	26-6004-10	SUPPORT ASSY, FUEL SELECTOR (FOR DT TANK SEE FIG. 3)	1	13
14	26-6004-11	NET (AP)	1	14
15	26-6004-12	WASHER (AP)	1	15
16	26-6004-13	BOLT (AP)	1	16
17	26-6004-14	SUPPORT (AP)	1	17
18	26-6004-15	BEARING, NEEDLE (60500)	1	18
19	26-6004-16	SPACER, FUEL SELECTOR VALVE (1835)	1	19
20	26-6004-17	GUARD, DOT PLUG (1834)	1	20
21	26-6004-18	NET (AP)	1	21
22	26-6004-19	WASHER (AP)	1	22
23	26-6004-20	BOLT (AP)	1	23
24	26-6004-21	DRUM ASSY, FUEL SELECTOR VALVE (1835)	1	24
25	26-6004-22	PULLEY ASSY (1835)	1	25
26	26-6004-23	CABLE ASSY SWAGE (1835)	1	26
27	26-6004-24	HEMLOCK	1	27
28	26-6004-25	NUT	1	28
29	26-6004-26	WASHER	1	29
30	26-6004-27	ROD	1	30

WHEN THE PART NUMBER IS NOT KNOWN

- Determine the function and application of the part required. Turn to the Table of Contents and select the most appropriate title. Note the illustration page number.
- Turn to the page indicated, locate the desired part on the illustration, and note the index number.
- With reference to the group assembly parts list by figure and index number obtain descriptive information regarding the part.

HOW TO USE THE ILLUSTRATED PARTS BREAKDOWN

Section II Group Assembly Parts List

Section III Numerical Index

Section II Group Assembly Parts List

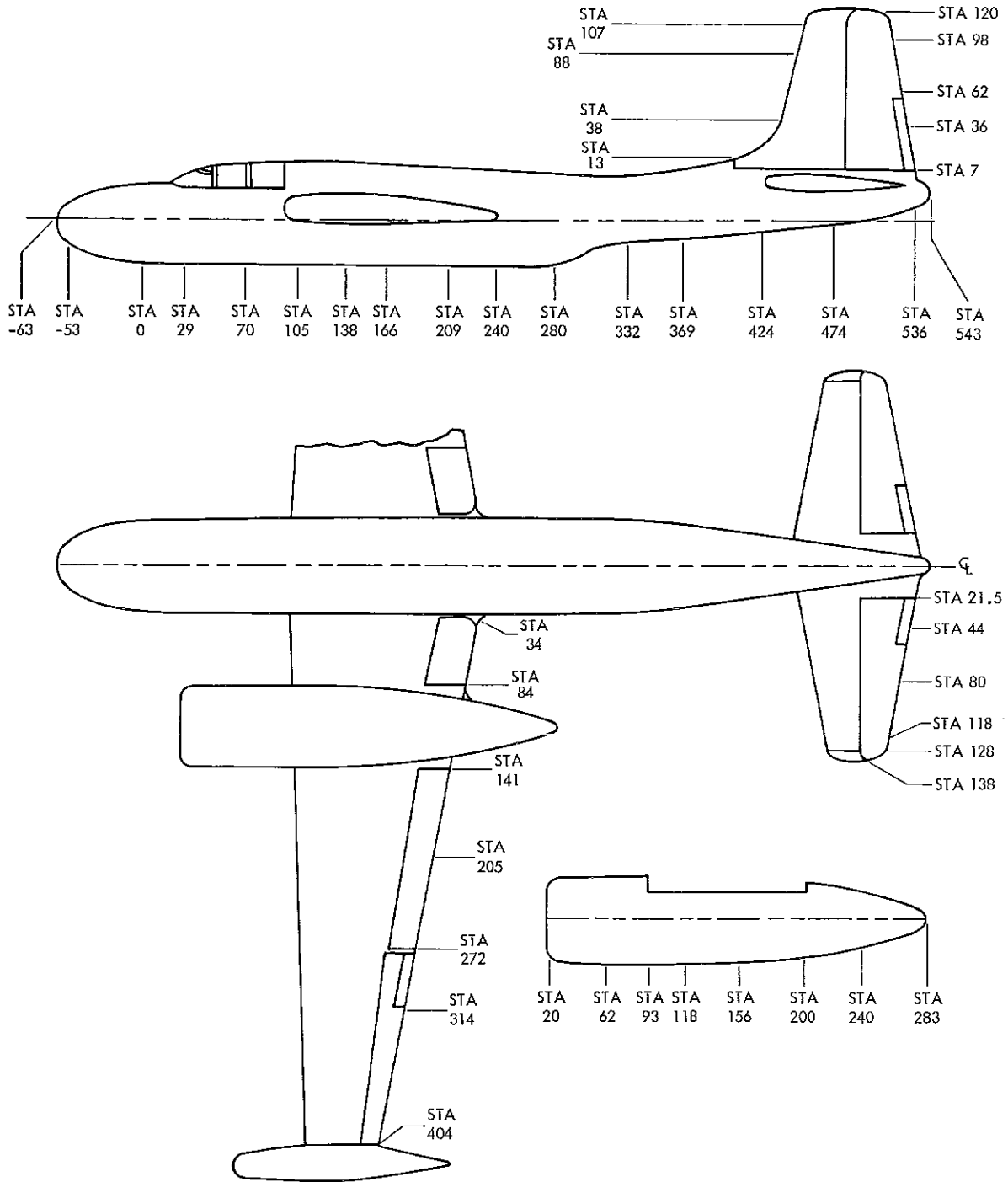
FIG. AND INDEX NO.	PART NUMBER	INDEX	DESCRIPTION	UNITS PER ASSY	ESABLF UN. CODE
2	26-6006-1	1	FUEL SYSTEM, OVERALL	1	
-1	26-1015-1	2	TANK INSTL. WING TIP LH (FOR DETAILS SEE FIG. 3)	1	
-2	26-1015-2	2	TANK INSTL. WING TIP RH (FOR DETAILS SEE FIG. 3)	1	
-3	26-6003-1	2	FUEL SYSTEM INSTL. WING LH (FOR DETAILS SEE FIG. 3)	1	
-4	26-6003-2	2	FUEL SYSTEM INSTL. WING RH (FOR DETAILS SEE FIG. 3)	1	
-5	592332	2	TANK INSTL. BOMB BAY FERRY (12355) (FOR DETAILS SEE FIG. 6)	1	
-6	26-6105-1	2	TANK INSTL. BOMB BAY (FOR DETAILS SEE FIG. 7)	1	
-7	26-6004-1	2	FUEL SYSTEM INSTL. FUEELAGE TRND	1	
-8	26-6004-2	2	VALVE ASSY. CROSS FUEL SELECTOR	2	
-9	AN3-11A	3	BOLT (API)	1	
-9	AN3-3A	3	BOLT (API)	1	
-9	AN30-10	3	WASHER (API)	1	
-10	10-3034-8N14	4	VALVE ASSY. FUEL SELECTOR (9203) (FOR DETAILS SEE T.O. 679-9-1-54, C)	1	
	216684	4	SUPPORT ASSY. FUEL VALVE CONTROL PULLEY (18355)	1	
	NS20363-1032	4	NUT (API)	1	
	AN360D10	4	WASHER (API)	1	
-11	AN3-11A	3	BOLT (API)	1	
-12	212591-2	5	SUPPORT (18355)	1	
-13	11012	5	BEARING, NEEDLE (20360)	1	
-14	228734	5	SPECIAL FUEL SELECTOR VALVE (18355)	1	
-15	50113	4	BUTTON, DOT PLUG (61664)	1	
-16	1183918	4	GUARD, FUEL VALVE CONTROL PULLEY (18355)	2	
	NS20363-1032	4	NUT (API)	1	
	AN360D10	4	WASHER (API)	2	
-17	AN3-3A	3	BOLT (API)	1	
-18	412709-4	1	DRUM ASSY. FUEL SELECTOR VALVE (18355)	1	
-19	2057110	5	PULLEY ASSY. (HIVE TED)	1	
-20	207406-16-3-3440	5	CABLE ASSY. SWAGUM TYPE 3 32 IN. DIA (18355)	1	
-21	NS20363-1032	3	NUT	1	
	AN360D10	3	WASHER	1	
-22	AN3-11A	3	BOLT	1	
-23	412137	3	BRACKET ASSY. FUEL SELECTOR VALVE SUPPORT (18355)	1	
	NS20363-1032	3	NUT (API)	1	
	AN360-10	3	WASHER (API)	1	
-24	AN3-3A	3	BOLT (API)	2	
-25	AN3-6A	3	BOLT (API)	2	
-26	AN30-16	3	ADAPTER	1	
-27	2264137	3	COUPLING, CROSSFEED VALVE INLET (18355)	1	
-28	AN310-6	3	PLUG	1	
-29	1153965	3	SEAL, BOMB BAY FUEL SELECTOR VALVE OUTLET (18355)	1	
-30	1153866	3	RETAINER, BOMB BAY FUEL SELECTOR VALVE OUTLET SEAL (18355)	1	
	NS20363-1032	3	NUT (API)	4	
	AN360D10	3	WASHER (API)	4	
-31	AN320-10310	3	SCREW (API)	3	
-32	735-25-2-8	3	CLAMP, LDOG (00002)	3	
	NS20363-1032	3	NUT (API)	3	
	AN320-10-8	3	SCREW (API)	3	
-33	312240-62	J	TUBE ASSY. METAL (18355)	1	
-34	312440-158	J	TUBE ASSY. METAL (18355)	1	
-35	312440-389	J	TUBE ASSY. METAL (18355)	1	
-36	AN824-40	3	TFE	1	
-37	NS25189-4-16	3	GROMMET	2	

WHEN THE PART NUMBER IS KNOWN

1. When the part number is known, refer to Section III, Numerical Index. Locate the part number and note the figure and index number assigned to the part number.
2. Turn to the figure number indicated and locate the part by index number as referenced in the Numerical Index.
3. If a pictorial representation of the part, or its location is desired, refer to the same index number on the accompanying illustration.

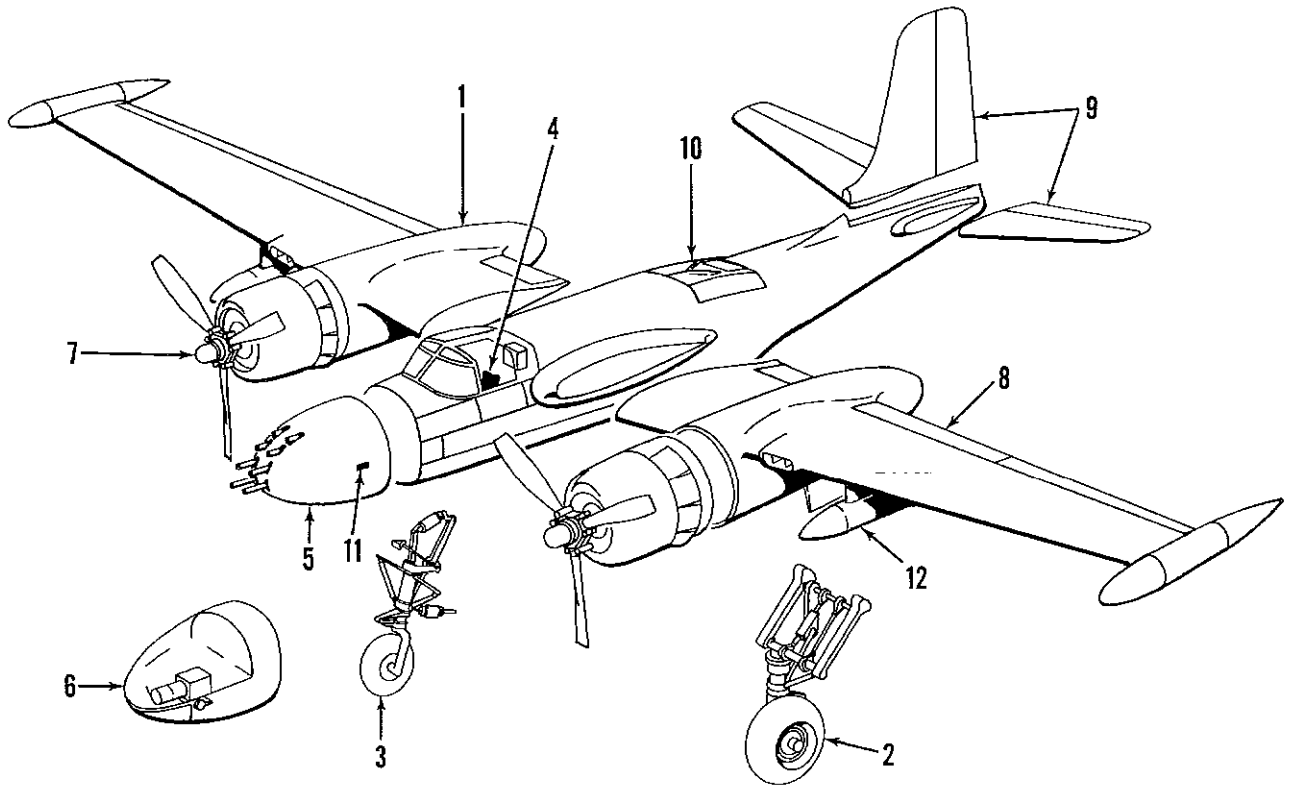
Section II
Group Assembly Parts List

T.O. 1B-26K-4



B-26K Station Diagram

SECTION II
GROUP ASSEMBLY PARTS LIST



INDEX NUMBERS		FIGURE NUMBERS	INDEX NUMBERS	FIGURE NUMBERS
1	SYSTEM GROUP	5-80	7	POWER PLANT 109
2	MAIN LANDING GEAR	81-82	8	WING STRUCTURE 110-116
3	NOSE GEAR	83-85	9	EMPENNAGE 117-120
4	FUSELAGE FURNISHINGS	86-89	10	FUSELAGE STRUCTURE 121-132
5	ARMAMENT EQUIPMENT	90-99	11	EXTERNAL MARKINGS 133
6	RECONNAISSANCE EQUIPMENT	100-108	12	SPECIAL SUPPORT EQUIPMENT 134-135
				SPECIAL SERVICE TOOLS 136

Figure 1. Major Assembly Breakdown

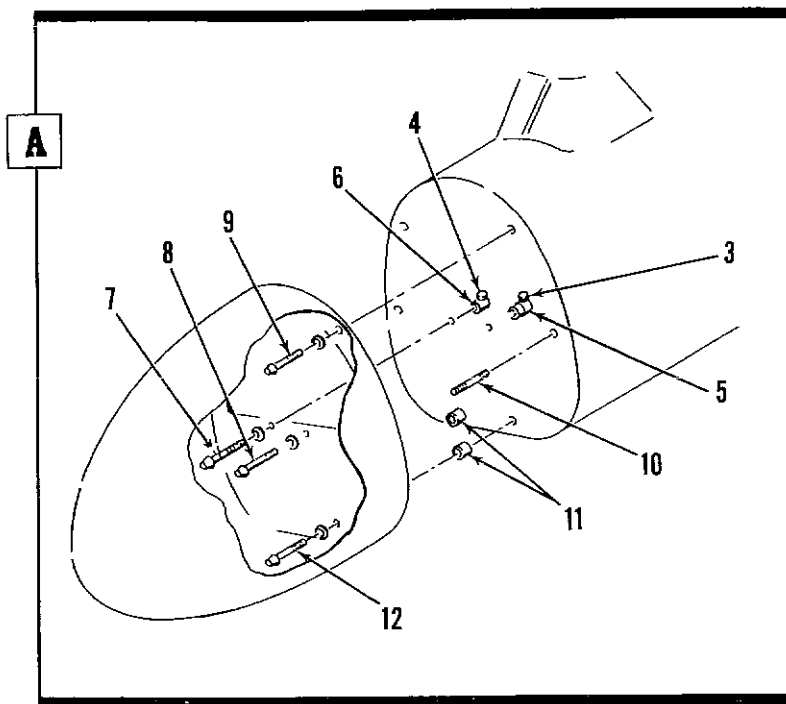
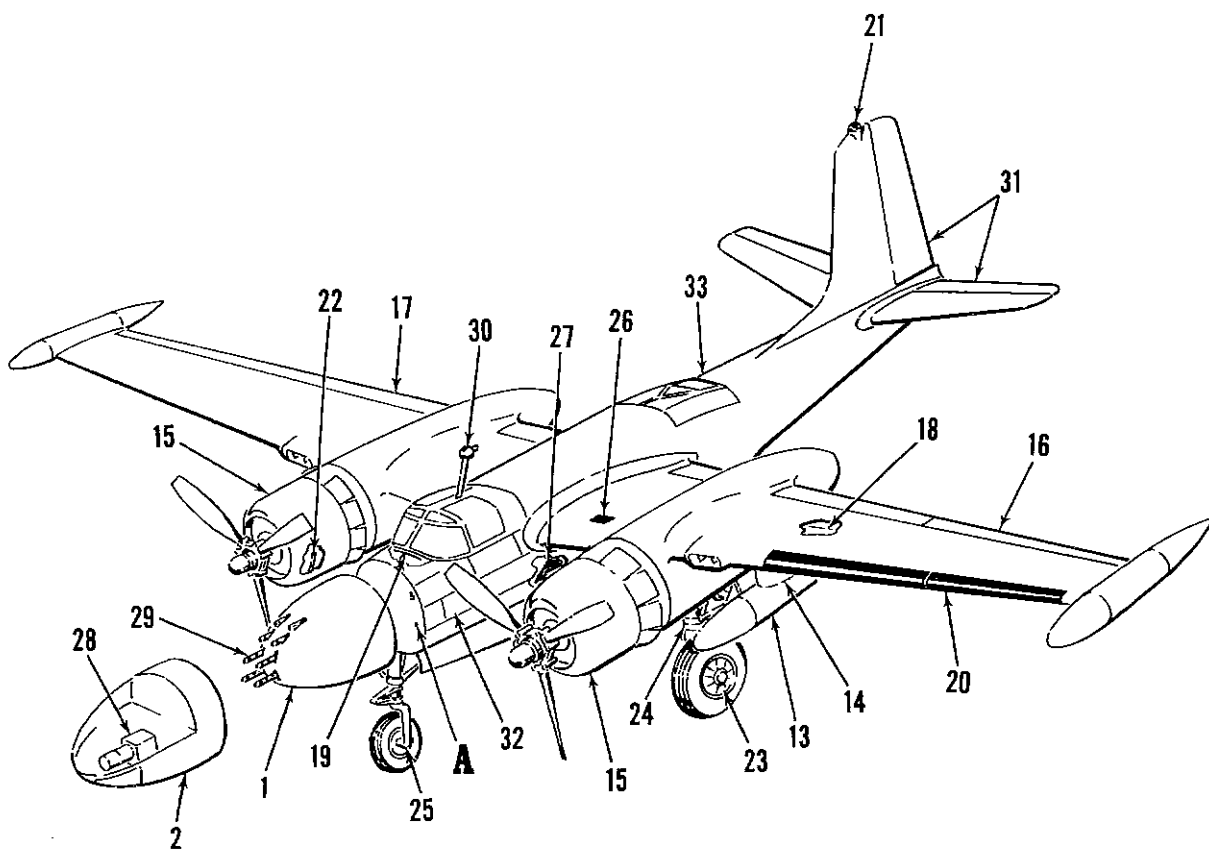


Figure 2. B26K Aircraft General Assembly

FIG. AND INDEX NO.	PART NUMBER	DESCRIPTION	UNITS PER ASSY	USABLE ON CODE
2-	26-0000-1	GENERAL ASSY, B26K Aircraft	1	
-1	26-1024-1	. NOSE ASSY, 8 Gun (altered from 5209776 (18355)) (for details see fig. 98)	1	
-2	26-1025-1	. NOSE ASSY, Reconnaissance (altered from 5202401 (18355)) (for details see fig. 100) (ATTACHING PARTS)	1	
	MS20365-428A	. NUT (Used with 26-1024-1)	2	
	AN960-416	. WASHER (Used with 26-1024-1)	2	
-3	AN4-17A	. BOLT (Used with 26-1024-1)	1	
-4	AN4-20A	. BOLT (Used with 26-1024-1)	1	
-5	26-1552-1	. WELDMENT SOCKET, Quick change nose (altered from NAS443-7 & NAS443-8) (used with 26-1024-1)	1	
-6	26-1558-1	. SOCKET, Quick change nose (altered from NAS443-7) (used with 26-1024-1)	1	
	Z1835-070	. NUT (72962) (Used with 26-1024-1)	1	
	MS20002-7	. WASHER (Used with 26-1024-1)	1	
-7	MS20007-24	. BOLT (Used with 26-1024-1)	1	
	Z1835-070	. NUT (72962) (Used with 26-1024-1)	1	
	MS20002-47	. WASHER (Used with 26-1024-1)	1	
-8	MS20007-26	. BOLT (Used with 26-1024-1)	1	
	MS20002-7	. WASHER	2	
-9	MS20007-42	. BOLT	2	
	AN380-4-5	. PIN	2	
	NAS443-8	. NUT	2	
	AN310-8	. NUT	2	
-10	26-1014-1	. STUD, Fuselage nose quick disconnect	2	
-11	26-1567-1	. SPACER (Used with 26-1025-1)	2	
	MS20002-7	. WASHER	2	
-12	MS20007-40	. BOLT	2	
		-----*		
-13	63H31618-40	. FUEL TANK, Modified B-26 aircraft external removable, 230 gallon type IV (instal in pairs) (for details see fig. 135)	2	
	63H31618-20	. FUEL TANK, Modified B-26 aircraft external removable, 230 gallon type IV (instal in pairs) (for details see fig. 135)	2	
-14	26-1010	. PYLON INSTL, External wing stores (for details see fig. 92)	NP	
-15	26-8000-1	. POWER PLANT INSTL, B26K Aircraft (for details see fig. 109).	NP	
-16	26-0017-1	. WING INSTL, LH (For details see fig. 3)	NP	
-17	26-0017-2	. WING INSTL, RH (For details see fig. 3)	NP	
-18	26-6206-1	. FUEL SYSTEM INSTL, B26K (For details see fig. 5)	NP	
-19	26-9251-1	. ANTI-ICING SYSTEM INSTL, B26K (For details see fig. 16)	NP	
-20	26-9234-60	. DE-ICER SYSTEM INSTL, B26K (For details see fig. 27)	NP	
-21	26-2101-1	. EXTERIOR LIGHTS INSTL, Navigation, formation and rotating beacon (for details see fig. 34)	NP	
-22	26-9760-1	. FIRE EXTINGUISHING INSTL, Overall (for details see fig. 15)	NP	
-23	26-7260-1	. BRAKE INSTL, B26K Emergency air (for details see fig. 29)	NP	
-24	26-7050-1	. LANDING GEAR INSTL, Main (for details see fig. 81)	NP	
-25	26-7051-1	. GEAR INSTL, Nose wheel (for details see fig. 83)	NP	
-26	26-9350	. MARKINGS INSTL, External B26K (for details see fig. 133).	NP	
-27	5202252	. TANK INSTL, Bomb bay ferry (18355) (for details see fig. 134)	NP	
-28	26-10001	. RECONNAISSANCE KIT INSTL (For details see fig. 102)	NP	
-29	26-11001	. ARMAMENT INSTL, Fuselage (for details see fig. 90)	NP	
-30	26-4643-1	. ANTENNA INSTL, B26K (For details see fig. 56)	NP	
-31	26-0020-1	. EMPENNAGE INSTL, B26K (For details see fig. 117)	NP	
-32	26-11002	. ARMOR INSTL, B26K Fuselage (for details see fig. 95)	NP	
-33	26-0019	. FUSELAGE ASSY, Complete (for details see fig. 4)	1	

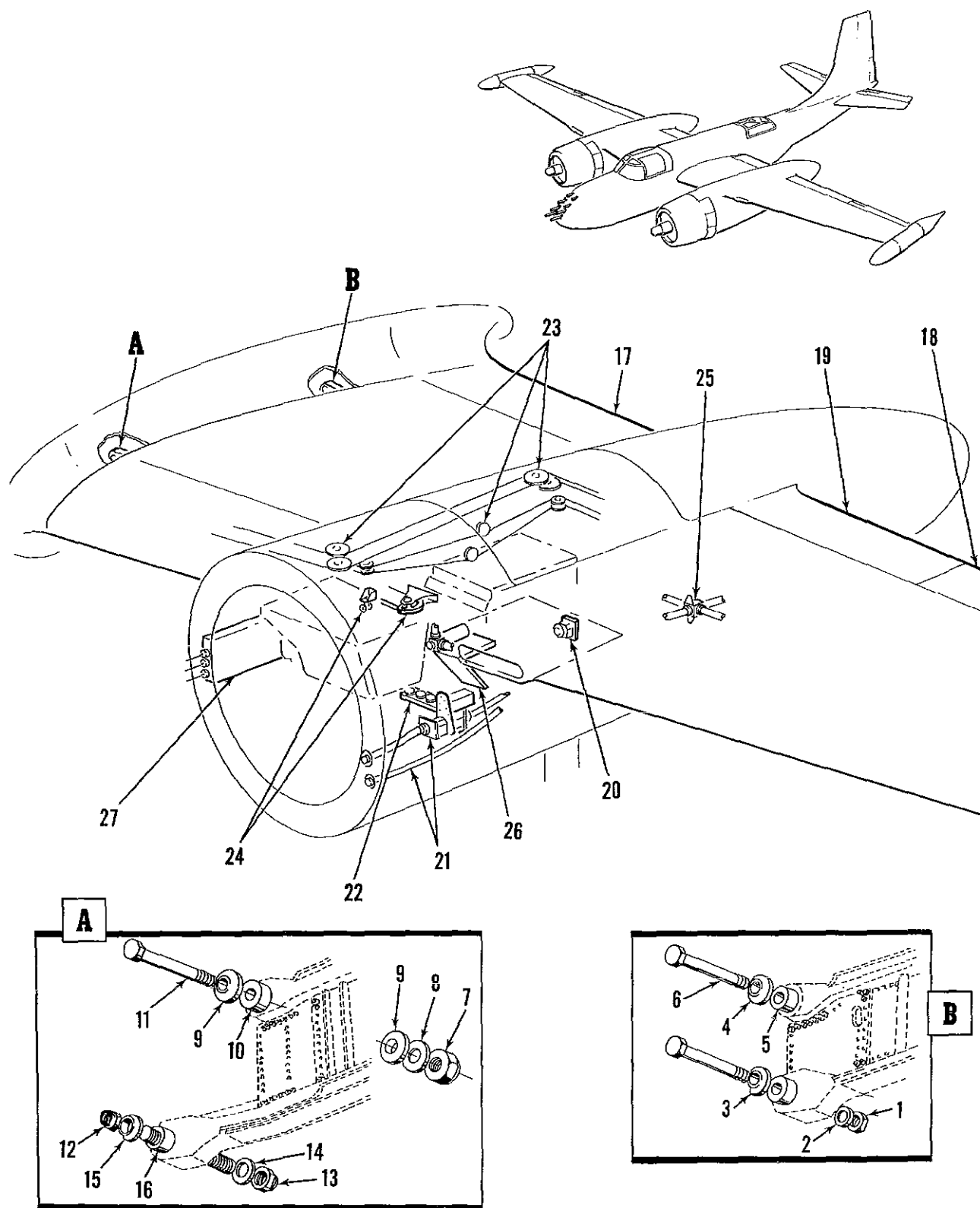


Figure 3. LH and RH Wing Installation

FIG. AND INDEX NO.	PART NUMBER	DESCRIPTION	UNITS PER ASSY	USABLE ON CODE
3-	26-0017-1	WING INSTL, LH (For NHA see fig. 2)	REF	
	26-0017-2	WING INSTL, RH (For NHA see fig. 2)	REF	
-1	42E126	. NUT (72962)	2	
-2	AN960-1216	. WASHER	2	
-3	2208141	. WASHER, Rear spar lower (18355)	2	
-4	1125885	. WASHER, Rear spar upper (18355)	2	
-5	2126570	. PIN (18355)	2	
-6	AN12-73A	. BOLT	2	
-7	42E126	. NUT (72962)	2	
-8	AN960-1216L	. WASHER	AR	
-9	1193223	. WASHER, Front spar upper (18355)	2	
-10	2192706	. PIN (18355)	1	
-11	AN12-74A	. BOLT	1	
-12	2277819	. NUT (18355)	1	
-13	2277768	. NUT (18355)	1	
-14	2277769	. WASHER, Front spar lower (18355)	1	
-15	2277820	. WASHER, Front spar lower (18355)	1	
-16	2277767	. PIN (18355)	1	
	26-0018-1	. WING ASSY, LH Complete	1	
	26-0018-2	. WING ASSY, RH Complete	1	
-17	26-0021-1	. . PANEL ASSY, Wing structure LH (for details see fig. 110)	1	
	26-0021-2	. . PANEL ASSY, Wing structure RH (for details see fig. 110)	1	
-18	5153044	. . AILERON INSTL, LH (18355) (For details see fig. 113)	NP	
	5153044-1	. . AILERON INSTL, RH (18355) (For details see fig. 113)	NP	
-19	5153048	. . FLAP INSTL, Wing LH (18355) (for details see fig. 114 & 115)	NP	
	5153048-1	. . FLAP INSTL, Wing RH (18355) (for details see fig. 114 & 115)	NP	
-20	26-6005-1	. . CONTROL INSTL, Wing fuel system LH (for details see fig. 57)	NP	
	26-6005-2	. . CONTROL INSTL, Wing fuel system RH (for details see fig. 57)	NP	
-21	26-7210-1	. . HYDRAULIC INSTL, Wing LH (for details see fig. 17)	NP	
	26-7210-2	. . HYDRAULIC INSTL, Wing RH (for details see fig. 17)	NP	
-22	26-9650-1	. . INSTRUMENTATION INSTL, Wing LH (for details see fig. 77)	NP	
	26-9650-2	. . INSTRUMENTATION INSTL, Wing RH (for details see fig. 77)	NP	
-23	26-9700-1	. . FLIGHT CONTROL INSTL, Wing LH (for details see fig. 58 & 59)	NP	
	26-9700-2	. . FLIGHT CONTROL INSTL, Wing RH (for details see fig. 58 & 59)	NP	
-24	26-8402-1	. . CONTROL INSTL, Wing, engine and propeller (LH) (for details see fig. 60)	NP	
	26-8402-2	. . CONTROL INSTL, Wing, engine and propeller (RH) (for details see fig. 61)	NP	
-25	5122102	. . MECHANISM INSTL, Wing flap operating LH (18355) (for details see fig. 62)	NP	
	5122102-1	. . MECHANISM INSTL, Wing flap operating RH (18355) (for details see fig. 62)	NP	
-26	26-1516-1L	. . WATER INJECTION SYSTEM INSTL (LH) (For details see fig. 14)	NP	
	26-1516-1R	. . WATER INJECTION SYSTEM INSTL (RH) (For details see fig. 14)	NP	
-27	26-2001-1	. . ELECTRICAL INSTL, LH Wing (for details see fig. 35)	NP	
	26-2001-2	. . ELECTRICAL INSTL, RH Wing (for details see fig. 35)	NP	

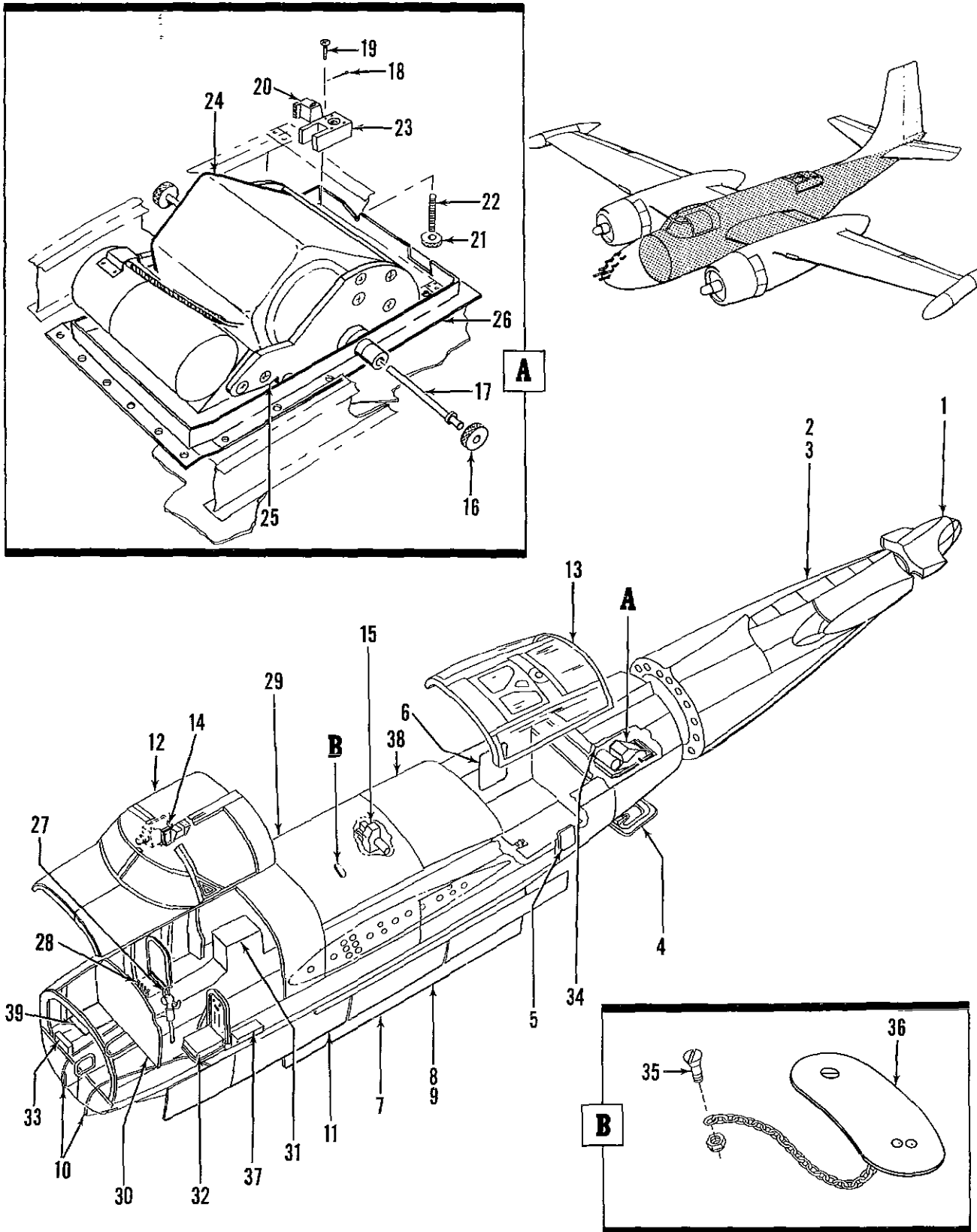


Figure 4. Complete Fuselage Assembly

FIG. AND INDEX NO.	PART NUMBER	DESCRIPTION	UNITS PER ASSY	USABLE ON CODE
4-	26-0019-1	FUSELAGE ASSY, Complete (18355) (for NHA see fig. 2)	REF	
-1	26-1001	. TAIL CONE INSTL, Large rudder (for details see fig. 121)	NP	
	26-0025-1	. FUSELAGE INSTL, Aft section complete	NP	
	MS20365-428	(ATTACHING PARTS)		
	AN960D416	. NUT	70	
	AN4-6A	. WASHER	70	
	AN4-7A	. BOLT	58	
		. BOLT	12	
		-----*		
-2	26-0026-1	. . FLIGHT CONTROL INSTL FUSELAGE AFT SECTION (For	NP	
		details see fig. 75)		
-3	5153178	. . STRUCTURE ASSY, Fuselage aft section (18355) (for details	1	
		see fig. 121)		
-4	5128437	. DOOR INSTL, Fuselage access, aft (18355) (for details see fig. 122) . .	NP	
-5	5122150	. DOOR INSTL, Camera (18355) (for details see fig. 122)	NP	
-6	540GE126	. HATCH ASSY, Aft compartment escape (for details see fig. 123)	1	
-7	26-1150-1	. DOOR INSTL, Fuselage bomb bay (for details see fig. 124)	NP	
-8	5122154	. MECHANISM INSTL, Bomb bay door operating (18355) (for	NP	
		details see fig. 19)		
-9	5206253	. SPOILER INSTL, Bomb bay (18355) (for details see fig. 125)	NP	
-10	5122157	. DOOR INSTL, Nose wheel (18355) (for details see fig. 126)	NP	
-11	5153162	. DOOR INSTL, Fuselage outside tunnel (18355) (for details	NP	
		see fig. 122)		
-12	26-1159	. ENCLOSURE INSTL, Pilot's cockpit (18355) (for details	NP	
		see fig. 127)		
-13	5153147	. ENCLOSURE INSTL, Gunner (18355) (for details see fig. 131)	NP	
-14	26-1209-1	. BRACKET ASSY, KB3 Gun camera (riveted)	1	
-15	26-1162-1	. FLAP OPERATING MECHANISM INSTL, Fuselage section (for	NP	
		details see fig. 63)		
	26-1103-1	. CAMERA INSTL, P2 Strike	NP	
-16	26-1103-31	. . KNOB TRUNNION (Altered from 73109 (43999))	2	
-17	26-1109-1	. . PIN, P2 Strike camera support	2	
-18	MS24665-67	. . PIN	2	
-19	NAS220-22	. . SCREW	2	
-20	26-1103-25	. . DOG, Drum (altered from 191-66027-1 (43999)) (LH only)	1	
	26-1103-26	. . DOG, Drum (altered from 191-66027-2 (43999)) (RH only)	1	
-21	26-1103-31	. . KNOB, Trunion (altered from 73109 (43999))	2	
-22	26-1103-29	. . SCREW, Wedge (altered from AN505-416-32)	2	
-23	26-1103-23	. . BLOCK, Wedge (spec. MIL-S-6758) (LH only)	1	
	26-1103-24	. . BLOCK, Wedge (spec. MIL-S-6758) (RH only)	1	
-24	26-1103-33	. . CAMERA, Motion picture, type P2 (for details see	1	
		T.O. 10A1-6-2-1) (partial breakdown follows)		
	26-1103-35	. . DRUM ASSY (altered from 446GE)	1	
	202-16-00	. . BODY ASSY, Camera (43999) (GFE)	1	
	214-00-00	. . MAGAZINE ASSY, Camera (43999) (GFE)	1	
	202-16-28	. . FILTER, Radio noise (43999) (GFE)	1	
	202-12-22	. . COVER, Camera magazine (43999) (GFE)	1	
	202-10-97	. . COVER, Camera back (43999) (GFE)	1	
	202-10-70	. . CAP, Lens (43999) (GFE)	1	
	202-10-68	. . FILTER (clear) (43999) (GFE)	1	
	202-10-69	. . FILTER (yellow) (43999) (GFE)	1	
-25	223-73102	. . MOUNT, Camera (43999)	1	
		(ATTACHING PARTS)		
	NAS221-8	. . SCREW	4	
		-----*		
-26	26-1103-37	. . BRACKET, Camera mount	1	
		(ATTACHING PARTS)		
	AN507-420R12	. . SCREW	6	
		-----*		
-27	26-9200-1	. FLIGHT CONTROL INSTL, Fuselage section (for details	NP	
		see fig. 64)		
-28	26-9201-1	. PEDESTAL CONTROL INSTL (for details see fig. 71)	NP	
	26-7200-1	. HYDRAULIC INSTL, Fuselage	NP	
-29	26-7203-1	. . HYDRAULIC INSTL, Fuselage forward section (for details	NP	
		see fig. 20)		
	26-7201-1	. . HYDRAULIC INSTL, Fuselage (for details see fig. 23)	NP	

Section II
Group Assembly Parts List

T.O. 1B-26K-4

FIG. AND INDEX NO.	PART NUMBER	DESCRIPTION							UNITS PER ASSY	USABLE ON CODE
		1	2	3	4	5	6	7		
4-	26-7202-1	.	.	HYDRAULIC INSTL, Fuselage aft section (for details					NP	
				see fig. 24)						
	26-7204-1	.	.	HYDRAULIC INSTL, Emergency, fuselage section (for					NP	
				details see fig. 26)						
-30	26-9651-1	.		INSTRUMENT INSTL, Fuselage section (for details see fig. 78) . . .					NP	
-31	26-2000-1	.		ELECTRICAL INSTL, Fuselage section (for details see					NP	
				fig. 39 and 40)						
-32	26-9770-1	.		FURNISHINGS INSTL, Fuselage (for details see fig. 86)					NP	
-33	26-9242	.		HEATER INSTL, B26K (for details see fig. 33)					NP	
-34	26-9550-1	.		OXYGEN SYSTEM INSTL (for details see fig. 30)					NP	
	MS20365-1032	.		NUT					1	
-35	AN507-1032-10	.		SCREW					1	
-36	4129518	.		DOOR ASSY, Bomb bay fuel tank filler access (18355)					1	
-37	26-4700-1	.		COMMUNICATION AND NAVIGATION INSTL (for details					NP	
				see fig. 55)						
-38	26-0023-1	.		STRUCTURE ASSY, Fuselage main (for details see fig. 132)					1	
-39	26-9551-1	.		SHIELD ASSY, Nose access pulley					1	

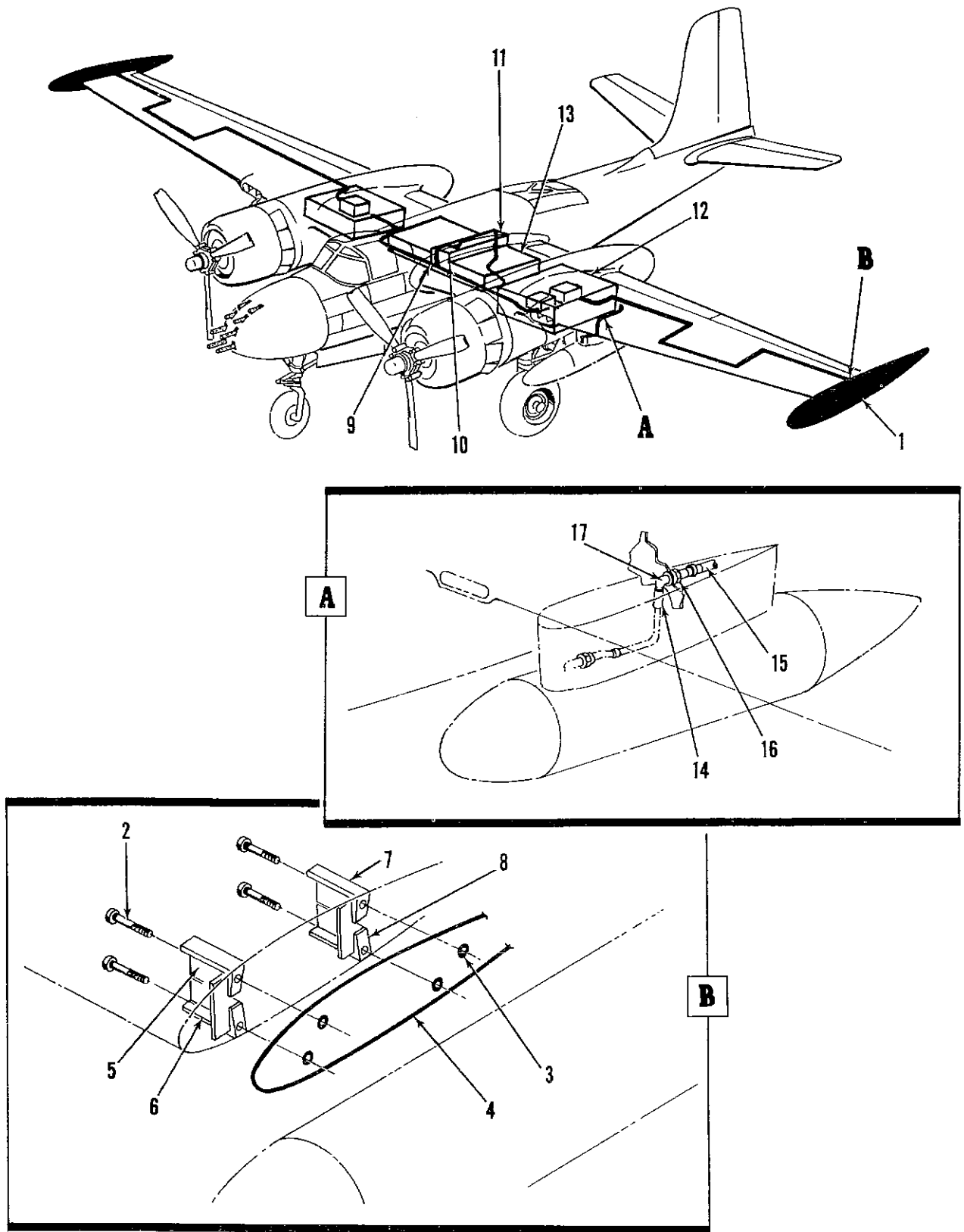


Figure 5. B26K Fuel System Installation

Section II
Group Assembly Parts List

T.O. 1B-26K-4

FIG. AND INDEX NO.	PART NUMBER	DESCRIPTION							UNITS PER ASSY	USABLE ON CODE
		1	2	3	4	5	6	7		
5-	26-6206-1	FUEL SYSTEM INSTL, B26K (For NHA see fig. 2)							REF	
	26-1015-11	. TANK INSTL, Wing tip LH							NP	
	26-1015-12	. TANK INSTL, Wing tip RH							NP	
-1	26-6001-1	. . TANK ASSY, Wing tip LH (for details see T.O. pending)							1	
	26-6001-2	. . TANK ASSY, Wing tip RH (for details see T.O. pending)							1	
		(ATTACHING PARTS)								
-2	NAS495-8-18	. . BOLT							4	
		----*----								
-3	AN6227-10	. . PACKING							4	
-4	1206	. . SEAL, Wing tip tank (77969)							1	
-5	160-1L	. . FITTING, Wing tip tank front spar (LH only)							1	
	160-1R	. . FITTING, Wing tip tank front spar (RH only)							1	
-6	160-1R	. . FITTING, Wing tip tank front spar (LH only)							1	
	160-1L	. . FITTING, Wing tip tank front spar (RH only)							1	
-7	160-2L	. . FITTING, Wing tip tank rear spar (LH only)							1	
	160-2R	. . FITTING, Wing tip tank rear spar (RH only)							1	
-8	160-3C	. . FITTING, Wing tip tank rear spar (LH only)							1	
	160-3R	. . FITTING, Wing tip tank rear spar (RH only)							1	
		(ATTACHING PARTS)								
	MS20365-1032	. . NUT							66	
	AN509-10-	. . SCREW (Determine screw length on installation)							66	
		----*----								
-9	26-6004-1	. FUEL SYSTEM INSTL, Fuselage fixed (for details see fig. 6)							NP	
-10	26-6003-1	. FUEL SYSTEM INSTL, Wing LH (for details see fig. 7 and 8)							NP	
	26-6003-2	. FUEL SYSTEM INSTL, Wing RH (for details see fig. 7 and 8)							NP	
-11	26-6106-1	. TANK INSTL, Bomb bay (for details see fig. 9)							NP	
-12	5153062	. CONTAINER INSTL, Nacelle fuel LH (18355) (for details see fig. 11)							NP	
	5153062-1	. CONTAINER INSTL, Nacelle fuel RH (18355) (for details see fig. 11)							NP	
-13	5122064	. CONTAINER INSTL, Wing fuel LH (18355) (for details see fig. 12)							NP	
	5122064-1	. CONTAINER INSTL, Wing fuel RH (18355) (for details see fig. 12)							NP	
	26-1016-1	. FUEL PLUMBING INSTL, Inboard pylon W.S. 180							NP	
-14		. . HOSE, 1.0 ID x 8.75 LG (Spec. MIL-H-6000)							1	
	AN737TW56-66	. . CLAMP							2	
-15	ARN250	. . FUEL LINE, Self-sealing bullet proof (spec. MIL-H-18288)							1	
	AN737TW56-66	. . CLAMP							2	
-16	AN924-16D	. . NUT							1	
-17	AN848-16D	. . ELBOW							1	

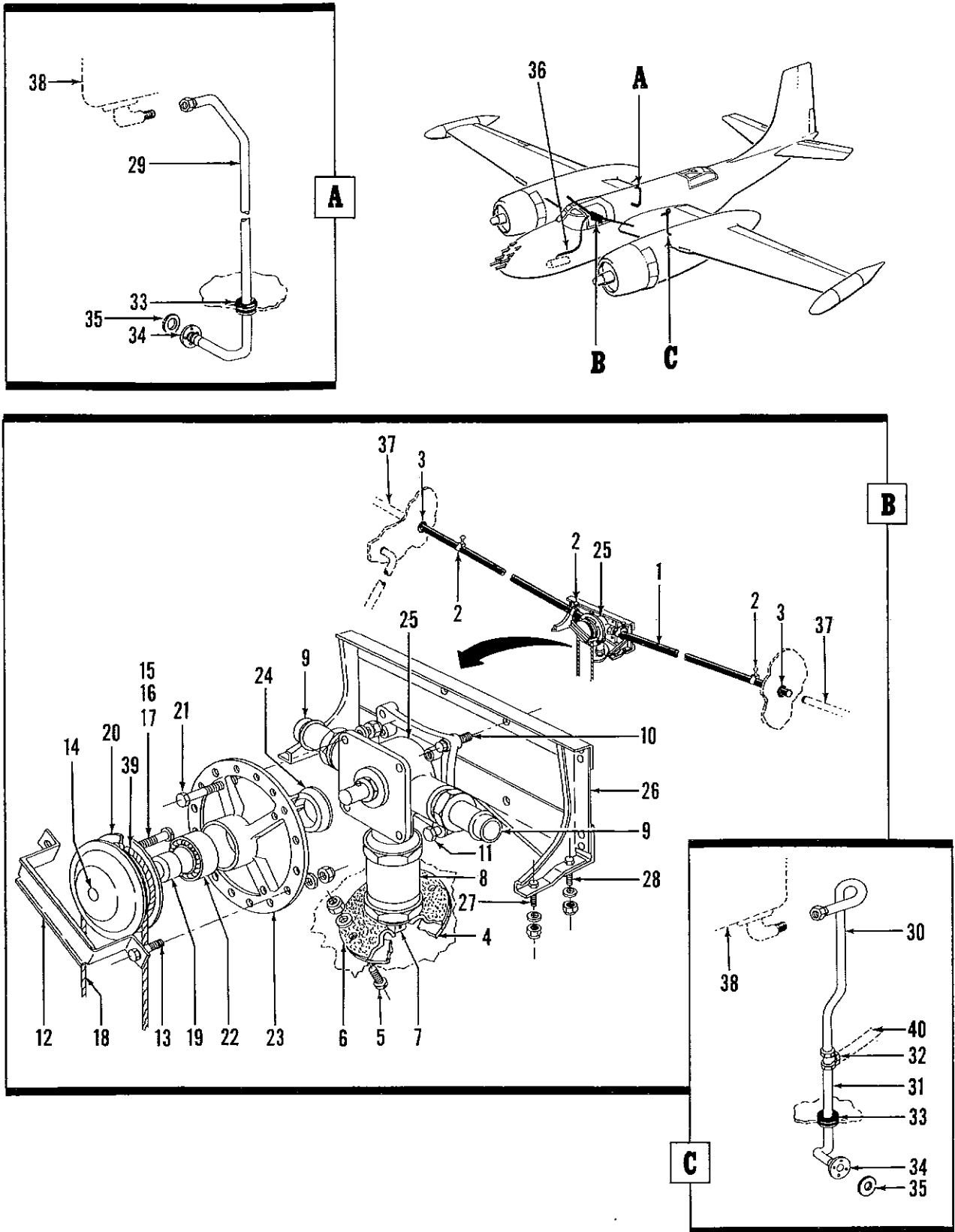


Figure 5. Fuselage Fixed Fuel System Installation

Section II
Group Assembly Parts List

T.O. 1B-26K-4

FIG. AND INDEX NO.	PART NUMBER	DESCRIPTION	UNITS PER ASSY	USABLE ON CODE		
					1	2
6-	26-6004-1	FUEL SYSTEM INSTL, Fuselage fixed (for NHA see fig. 5)	REF			
-1	4127510-22	. LINE ASSY (18355)	2			
-2	AN737TW48-56	. CLAMP	4			
-3	AN931-24-28	. GROMMET	4			
-4	1155686	. RETAINER, Bomb bay fuel selector valve outlet seal (18355)	1			
		(ATTACHING PARTS)				
	MS20365-1032	. NUT	4			
	AN960D10	. WASHER	4			
-5	AN520-10R10	. SCREW	4			
		-----*-----				
-6	1155685	. SEAL, Bomb bay fuel selector valve outlet (18355)	1			
-7	AN913-6	. PLUG	1			
-8	2206737	. COUPLING, Cross feed valve inlet (18355)	1			
-9	AN840-16	. ADAPTER	2			
	26-6004-2	. VALVE ASSY, Cross fuel selector	1			
		(ATTACHING PARTS)				
-10	AN3-11A	. BOLT	2			
-11	AN3-13A	. BOLT	2			
	AN960-10	. WASHER	4			
		-----*-----				
-12	1125916	. . GUARD, Fuel valve control pulley (18355)	1			
		(ATTACHING PARTS)				
	MS20365-1032	. . NUT	2			
	AN960D10	. . WASHER	2			
-13	AN3-5A	. . BOLT	2			
		-----*-----				
-14	50711	. . PLUG, Button (61864)	1			
	4127595-4	. . DRUM ASSY, Fuel selector valve (18355)	1			
-15	MS20365-1032	. . NUT	1			
-16	AN960D10	. . WASHER	1			
-17	AN23-11A	. . BOLT	1			
-18	2074407-16-5-5440	. . . CABLE ASSY, Swaged type 3/32 in. dia (18355)	1			
-19	NAS75-3-018	. . . BUSHING	1			
-20	2057110	. . . PULLEY ASSY (18355)	1			
	2126594	. . SUPPORT ASSY, Fuel valve control pulley (18355)	1			
		(ATTACHING PARTS)				
	MS20365-1032	. . NUT	4			
	AN960D10	. . WASHER	4			
-21	AN3-11A	. . BOLT	4			
		-----*-----				
-22	B1612	. . . BEARING, Needle (60380)	1			
-23	2126594-2	. . . SUPPORT, Fuel valve control pulley (18355)	1			
-24	2207544	. . SPACER, Cross fuel selector valve (18355)	1			
-25	10-3044-8M4	. . VALVE ASSY, Fuel selector (92003) (for details see	1			
		T. O. 679-9-1-54C)				
-26	4128137	. BRACKET ASSY, Cross fuel selector valve support (18355)	1			
		(ATTACHING PARTS)				
	MS20365-1032	. NUT	4			
	AN960-10	. WASHER	4			
-27	AN3-4A	. BOLT	2			
-28	AN3-6A	. BOLT	2			
		-----*-----				
-29	5128410-62	. LINE ASSY, Drain (18355)	1			
-30	5128410-178	. LINE ASSY, Drain (18355)	1			
-31	5128410-180	. LINE ASSY, Drain (18355)	1			
	MS20819-4D	. . SLEEVE	2			
	AN818-4D	. . NUT	2			
-32	AN824-4D	. TEE	1			
-33	AN931-4-16	. GROMMET	2			
-34	1128744	. FLANGE, Fluid connecting coupling 1/4 in. tube (18355)	2			
-35	1128791	. GASKET, Fluid connecting coupling flange (18355)	2			
-36	26-6007-201	. TUBE ASSY, Metal	1			
-37		FUEL SYSTEM INSTL, Wing (see fig. 7 and 8)	REF			
-38		CONTAINER INSTL, Wing fuel (see fig. 12)	REF			
-39		CONTROL INSTL, Pedestal (see fig. 72)	REF			
-40		TANK INSTL, Bomb bay (see fig. 9)	REF			

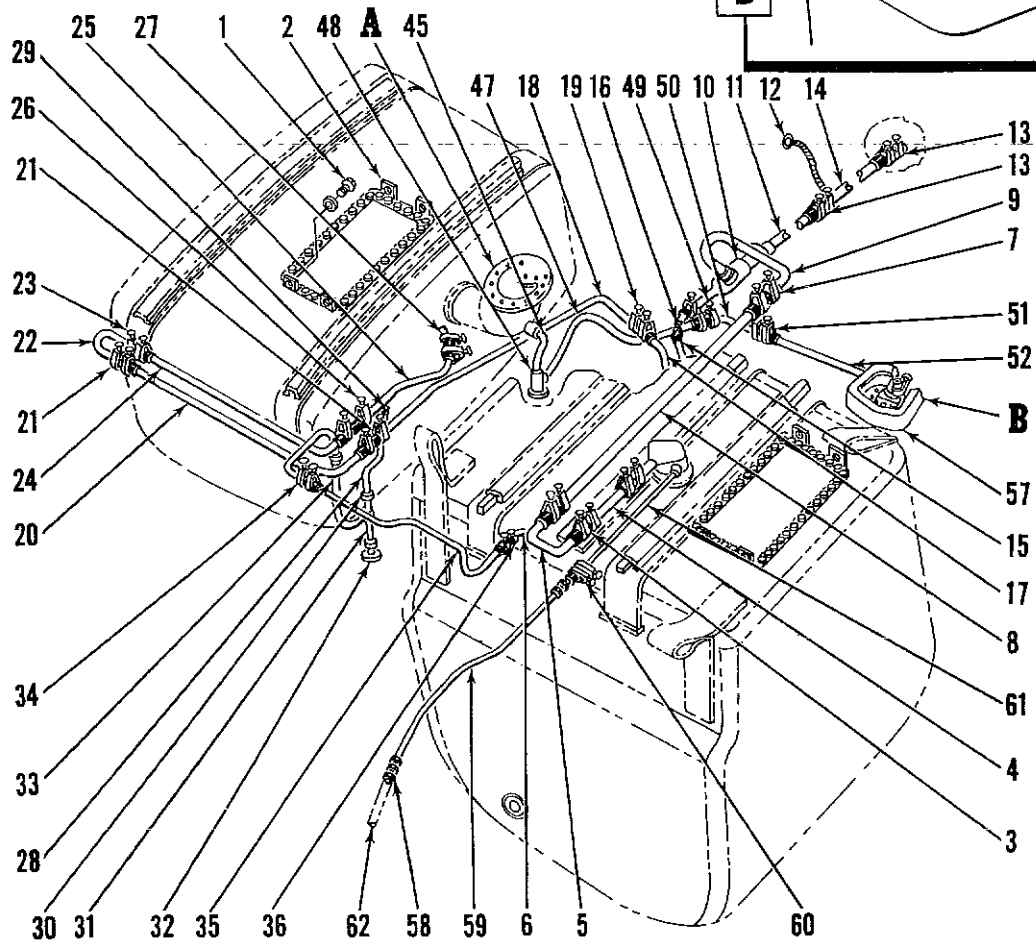
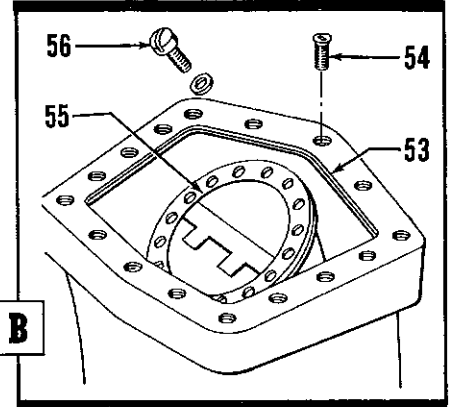
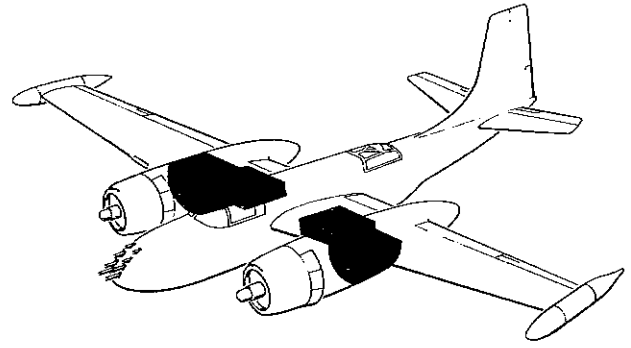
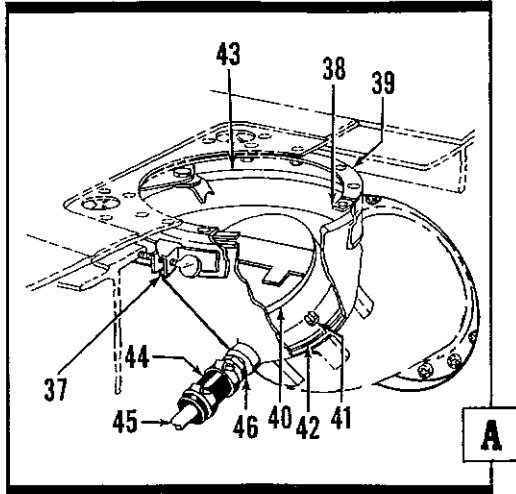


Figure 7. LH and RH Wing Fuel System Installations

Section II
Group Assembly Parts List

T.O. 1B-26K-4

FIG. AND INDEX NO.	PART NUMBER	DESCRIPTION	UNITS PER ASSY	USABLE ON CODE
7-	26-6003-1	FUEL SYSTEM INSTL, Wing LH (altered from 5153060 (18355)) (for . . .	REF	
	26-6003-2	NHA see fig. 5) (for additional details see fig. 8) FUEL SYSTEM INSTL, Wing RH (altered from 5153060-1 (18355))	REF	
		(for NHA see fig. 5) (for additional details see fig. 8)		
-1	AN520-10-8	. SCREW	8	
	AN960-10L	. WASHER	8	
-2	1190113	. CLIP ASSY, Fuel container support (18355)	8	
-3	AN884-16-15	. HOSE	2	
	A3122-22-59	. CLAMP (78553)	4	
-4	5128410-78	. TUBE ASSY, Metal (18355)	1	
-5	2156869	. FITTING, Nacelle fuel vent anti-siphon (18355)	1	
-6	AN842-40	. ELBOW	1	
-7	AN884-16-15	. HOSE	2	
	AN737TW48-56	. CLAMP	4	
-8	5128410-42	. TUBE ASSY, Metal (18355)	1	
-9	26-6007-21	. TUBE ASSY, Metal (LH only)	1	
	5128410-45	. TUBE ASSY, Metal (18355) (RH only)	1	
-10	2205738	. FITTING ASSY, Fuel tank vent (18355)	1	
-11	26-6007-23	. TUBE ASSY, Metal (LH only)	1	
	5128410-46	. TUBE ASSY, Metal (18355) (RH only)	1	
-12	MS25083-2-7	. JUMPER ASSY (LH only)	1	
		(ATTACHING PARTS)		
	MS20365D1032	. NUT	2	
	AN960PD10	. WASHER	2	
	AN3-5	. BOLT	2	
		-----*		
-13	AN884-20-15	. HOSE	2	
	A3122-28-59	. CLAMP (78553)	4	
-14	5128410-104	. TUBE ASSY, Metal (18355)	1	
-15	26-6007-25	. TUBE ASSY, Metal (LH only)	1	
	5128410-129	. TUBE ASSY, Metal (18355) (RH only)	1	
-16	26-6003-33	. HOSE, Wing fuel system (LH only)	1	
	AN737TW56-66	. CLAMP (LH only)	2	
-17	26-6007-27	. TUBE ASSY, Metal (LH only)	1	
-18	26-6007-29	. TUBE ASSY, Metal (LH only)	1	
	5128410-99	. TUBE ASSY, Metal (18355) (RH only)	1	
-19	26-6003-33	. HOSE, Wing fuel system (LH only)	1	
	AN884-12-15	. HOSE (RH only)	1	
	AN737TW48-56	. CLAMP	2	
-20	4278823-503	. TUBE ASSY, Metal (18355) (LH only)	1	
	4278823-504	. TUBE ASSY, Metal (18355) (RH only)	1	
-21	AN884-12-15	. HOSE	2	
	AN737TW48-56	. CLAMP	4	
-22	2156893	. FITTING, Wing fuel vent anti-siphon (18355)	1	
	AN913-1D	. PLUG	1	
-23	AN884-12-15	. HOSE	1	
	AN737TW48-56	. CLAMP	2	
-24	5128410-174	. TUBE ASSY, Metal (18355) (LH only)	1	
	5128410-175	. TUBE ASSY, Metal (18355) (RH only)	1	
-25	2203883	. TUBE ASSY, Metal (18355) (LH only)	1	
	2203883-1	. TUBE ASSY, Metal (18355) (RH only)	1	
-26	AN884-12-15	. HOSE	2	
	AN737TW48-56	. CLAMP	4	
-27	AN844-12D	. ELBOW	1	
-28	5128410-90	. TUBE ASSY, Metal (18355)	1	
	AN818-4D	. NUT	2	
	MS20819-4D	. SLEEVE	2	
-29	AN816-4D	. NIPPLE	1	
-30	AN824-4D	. TEE	1	
-31	5128410-92	. TUBE ASSY, Metal (18355)	1	
	AN818-4D	. NUT	2	
	MS20819-4D	. SLEEVE	2	
-32	1128744	. FLANGE, Fluid connecting coupling (18355)	1	

FIG. AND INDEX NO.	PART NUMBER	DESCRIPTION	UNITS PER ASSY	USABLE ON CODE
7-	1128791	. GASKET, Fluid connecting coupling flange (18355)	1	
-33	5128410-88	. TUBE ASSY, Metal (18355)	1	
	AN818-4D	. NUT	1	
	MS20819-4D	. SLEEVE	1	
-34	AN884-4-15	. HOSE	1	
	A3122-10-59	. CLAMP (78553)	2	
-35	5128410-86	. TUBE ASSY, Metal (18355)	1	
-36	AN884-4-15	. HOSE	1	
	A3122-10-59	. CLAMP (78553)	2	
-37	MA8	. CLAMP (70095)	1	
-38	4192863	. RETAINER, Wing fuel filler well (18355)	1	
-39	3208532	. COLLAR, Wing fuel container filler well (18355)	1	
-40	40B1718	. CAP AND ADAPTER ASSY, Fuel tank filler (18355) (ATTACHING PARTS)	1	
-41	AN500A10-12	. SCREW	8	
	AN960-10	. WASHER	8	
		-----*		
-42	2208702	. GASKET, Wing fuel container filler well (18355)	2	
-43	5208533	. WELL, Wing fuel container filler LH (18355) (LH only)	1	
	5208533-1	. WELL, Wing fuel container filler RH (18355) (RH only)	1	
-44	AN878-6-12	. HOSE	1	
	AN737RM26	. CLAMP	2	
-45	5128410-100	. TUBE ASSY, Metal (18355) (LH only)	1	
	5128410-101	. TUBE ASSY, Metal (18355) (RH only)	1	
	AN818-6D	. NUT	1	
	MS20819-6D	. SLEEVE	1	
-46	AN840-6	. ADAPTER	1	
-47	26-6007-36	. TUBE ASSY, Metal (LH only)	1	
	26-6007-37	. TUBE ASSY, Metal (RH only)	1	
-48	MS20826-6D	. TEE	1	
-49	AN884-6-15	. HOSE	1	
	AN737RM26	. CLAMP	2	
-50	26-6007-34	. TUBE ASSY, Metal (LH only)	1	
	26-6007-35	. TUBE ASSY, Metal (RH only)	1	
-51	AN884-6-15	. HOSE	1	
	A3122-12-59	. CLAMP (78553)	2	
-52	5128410-130	. TUBE ASSY, Metal (18355) (LH only)	1	
	5128410-131	. TUBE ASSY, Metal (18355) (RH only)	1	
-53	2192006	. RETAINER, Nacelle fuel filler well (18355)	1	
-54	1114189Z10-10	. SCREW, Sheet metal 100° recessed flat head (18355)	16	
-55	4081718	. CAP AND ADAPTER ASSY, Fuel tank filler (18355) (ATTACHING PARTS)	1	
-56	AN500A10-12	. SCREW	8	
	AN960D10	. WASHER	8	
		-----*		
-57	5191838	. WELL ASSY, Nacelle fuel tank filler (18355)	1	
-58	AN924-4	. NUT	1	
	3115-1G1-4	. CONNECTOR, Bulkhead (45681)	1	
-59	5128410-60	. TUBE ASSY, Metal (18355) (LH only)	1	
	5128410-61	. TUBE ASSY, Metal (18355) (RH only)	1	
	AN818-4	. NUT	1	
	MS20819-4	. SLEEVE	1	
-60	AN884-4-15	. HOSE	1	
	AN737RM22	. CLAMP	2	
-61	5128410-28	. TUBE ASSY, Metal (18355)	1	
	AN818-4D	. NUT	1	
	MS20819-4D	. SLEEVE	1	
-62		AIRCRAFT POWER PACKAGE (SEE T.O. 1B-26K-10)	REF	

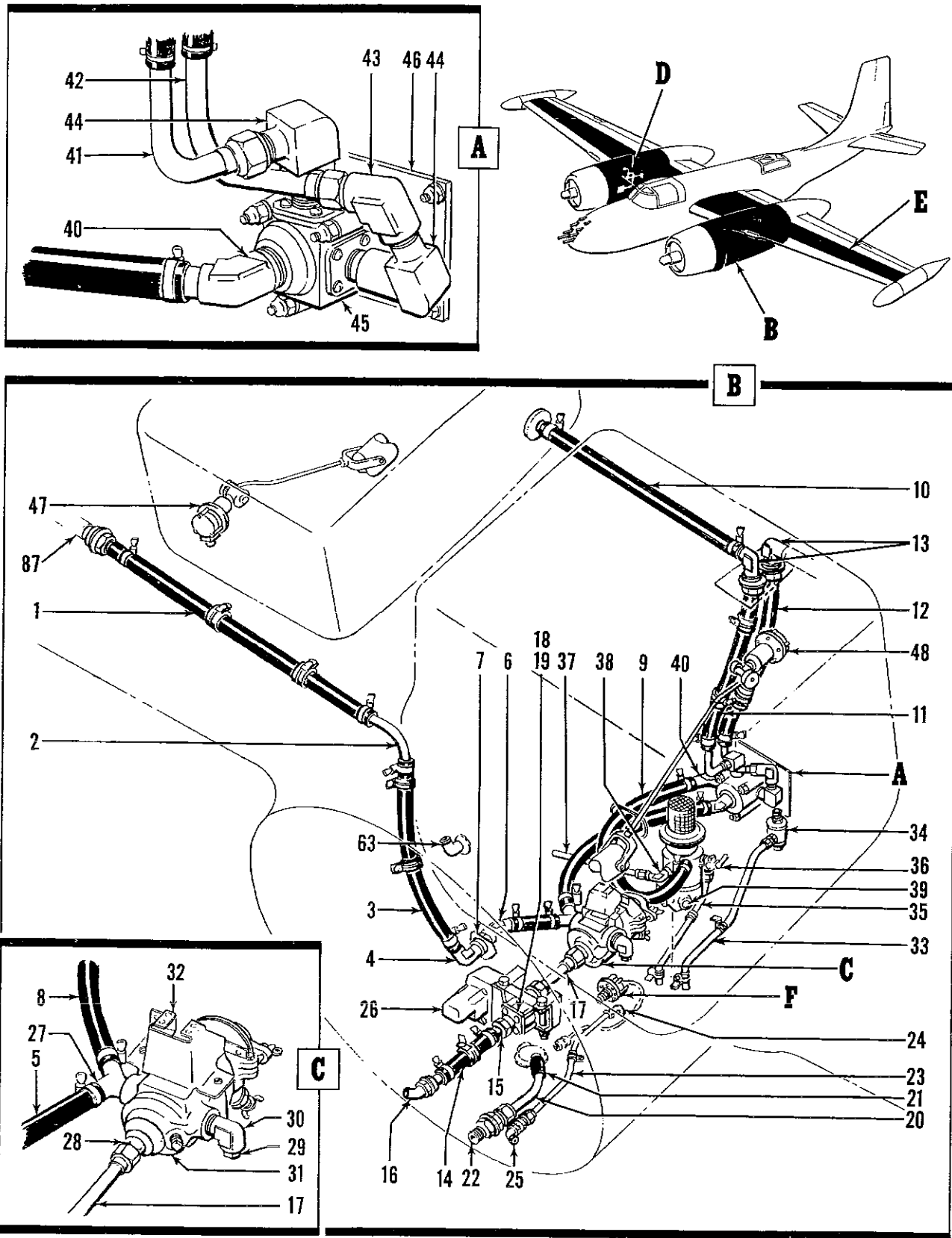


Figure 8. LH and RH Wing Fuel System Installations

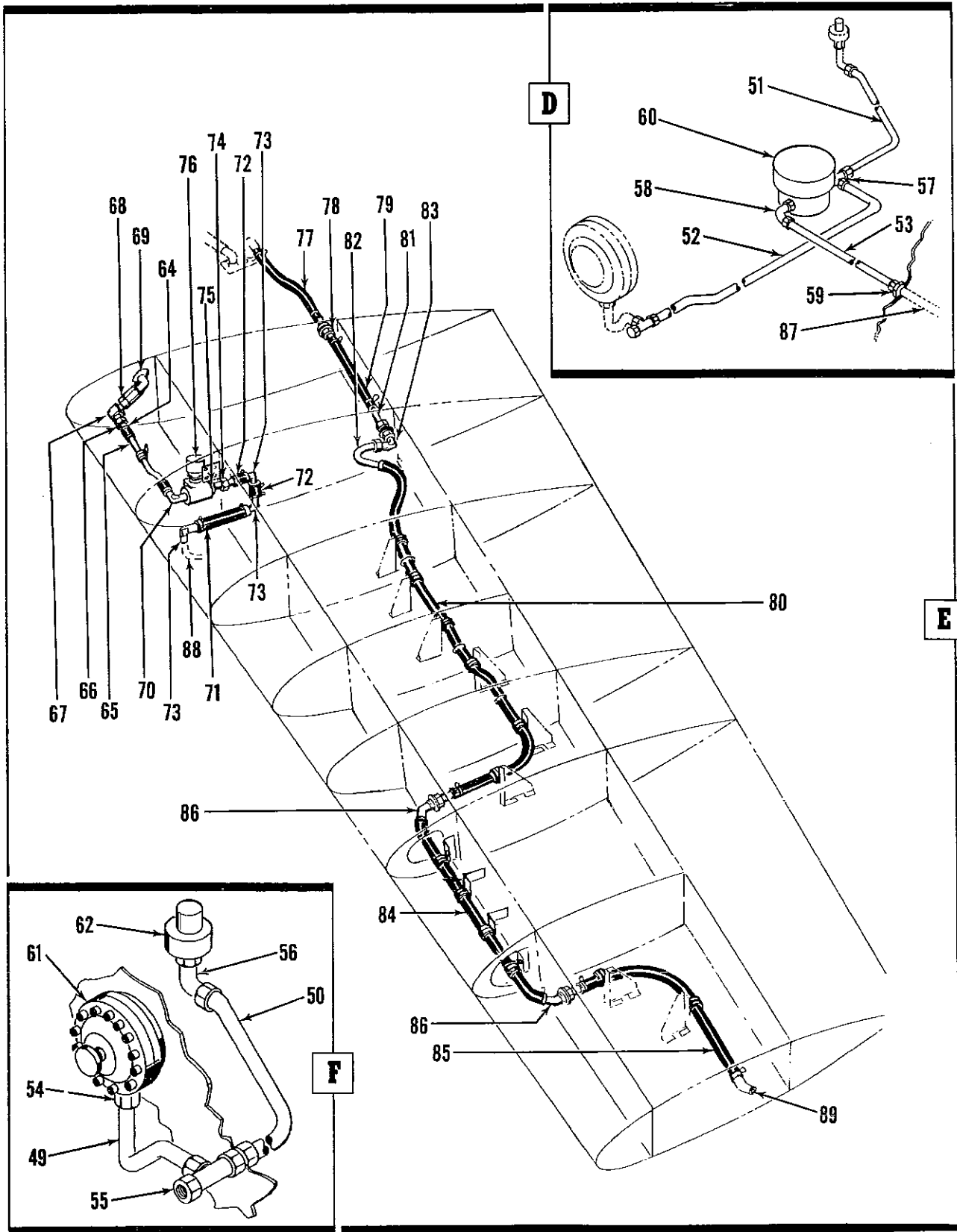


Figure 8. LH and RH Wing Fuel System Installations (Sheet 2 of 2)

Section II
Group Assembly Parts List

T.O. 1B-26K-4

FIG. AND INDEX NO.	PART NUMBER	DESCRIPTION	UNITS PER ASSY	USABLE ON CODE
8-	26-6003-1	FUEL SYSTEM INSTL, Wing LH (altered from 5153060 (18355)). (for NHA see fig. 5) (for additional details see fig. 7)	REF	
	26-6003-2	FUEL SYSTEM INSTL, Wing RH (altered from 5153060-1 (18355)) (for NHA see fig. 5) (for additional details see fig. 7)	REF	
-1	26-6003-27	. HOSE, Wing fuel system	1	
	AN737TW56-66	. CLAMP	2	
-2	26-6007-13	. TUBE, Metal	1	
-3	26-6003-25	. HOSE, Wing fuel system	1	
	AN737TW56-66	. CLAMP	2	
-4	AN842-16D	. ELBOW	1	
-5	21-6003-21	. HOSE, Wing fuel system	1	
	AN737TW56-66	. CLAMP	2	
-6	AN844-16D	. ELBOW	1	
-7	26-6010-1	. FITTING ASSY, Bulkhead LH (LH only)	1	
	26-6010-2	. FITTING ASSY, Bulkhead RH (RH only)	1	
		(ATTACHING PARTS)		
	MS20365-1032A	. NUT	7	
	AN960-10	. WASHER	7	
	AN3-5A	. BOLT	7	
		-----*		
-8	26-6003-19	. HOSE, Wing fuel system	1	
	AN737TW56-66	. CLAMP	2	
-9	26-6003-17	. HOSE, Wing fuel system (LH only)	1	
	4127510-20	. HOSE, Main feed line (18355) (RH only)	1	
	AN737TW48-56	. CLAMP	2	
-10	26-6003-31	. HOSE, Wing fuel system	1	
	AN737TW56-66	. CLAMP	2	
-11	26-6003-23	. HOSE, Wing fuel system	1	
	AN737TW56-66	. CLAMP	2	
-12	26-6003-13	. HOSE, Wing fuel system	1	
	AN737TW56-66	. CLAMP	2	
-13	AN924-16D	. NUT	2	
	AN960-2116	. WASHER	2	
	AN848-16D	. ELBOW	2	
-14	26-6003-23	. HOSE, Wing fuel system	1	
	AN737TW56-66	. CLAMP	2	
-15	26-6007-17	. TUBE ASSY, Metal	1	
	AN818-16D	. NUT	1	
	MS20819-16D	. SLEEVE	1	
-16	AN924-16D	. NUT	1	
	AN960-2116	. WASHER	1	
	AN846-16D	. ELBOW	1	
-17	26-6007-15	. TUBE ASSY, Metal	1	
	AN818-16D	. NUT	2	
	MS20819-16D	. SLEEVE	2	
-18	MS20760D16	. CONNECTOR	2	
		(ATTACHING PARTS)		
	AN501-416-10	. SCREW	8	
		-----*		
-19	AN6227322	. PACKING, "O" ring	2	
-20	26-6007-33	. TUBE ASSY, Metal	1	
	AN818-8	. NUT	1	
	MS20819-8	. SLEEVE	1	
-21	26-6003-51	. HOSE, Wing fuel system	1	
	A3122-144	. CLAMP (78553)	2	
-22	AN924-8	. NUT	1	
	AN960-1216	. WASHER	1	
	AN828-8	. UNION, Bulkhead	1	
-23	5128410-76	. TUBE ASSY, Oil dilution (18355)	1	
	AN818-4	. NUT	2	
	MS20819-4	. SLEEVE	2	
-24	MS20823-4	. ELBOW	1	
-25	AN924-4	. NUT	1	
	AN960-716	. WASHER	1	
	3115-1GT4	. CONNECTOR, Bulkhead	1	
	MS20823-4	. ELBOW	1	

FIG. AND INDEX NO.	PART NUMBER	DESCRIPTION	UNITS PER ASSY	USABLE ON CODE
8-26	WE4775-11-4D	. VALVE ASSY (79318) (for details see T.O. 6J15-17-6-13) (ATTACHING PARTS)	1	
	MS20365-1032A	. NUT	2	
	AN960-10	. WASHER	2	
	AN3-33	. BOLT	2	
		-----*		
-27	1125833	. FITTING, 90° "Y" hose (18355)	1	
-28	AN816-16D	. NIPPLE	1	
-29	AN913-6D	. PLUG	1	
-30	AN914-6D	. ELBOW	1	
-31	13960-3	. STRAINER ASSY, Fuel (70138) (for details see T.O. 6R-1-61) (ATTACHING PARTS)	1	
	MS20365-428	. NUT	2	
	AN4-42A	. BOLT	2	
		-----*		
-32	2126553	. SUPPORT, Fuel strainer (18355) (ATTACHING PARTS)	1	
	MS20365-1032	. NUT	6	
	AN520-10-8	. SCREW	6	
		-----*		
-33	5128410-156	. LINE ASSY, Drain (18355) (LH only)	1	
	5128410-158	. LINE ASSY, Drain (18355) (RH only)	1	
-34	2205803	. VALVE ASSY, Nacelle fuel tank drain (18355) (altered from PA 717CT8D (45681))	1	
-35	5128410-114	. TUBE ASSY, Metal (18355)	1	
-36	717CT4D	. VALVE ASSY (45681)	1	A
	K170081	. COCK ASSY, Drain (75361) (for details see T.O. 6R9-4-1-34)	1	B
-37	5128410-118	. TUBE ASSY, Metal (18355) (LH only)	1	
	5128410-116	. TUBE ASSY, Metal (18355) (RH only)	1	
-38	MS20822-4D	. ELBOW	1	
-39	TFD12100-1	. PUMP ASSY, Booster (59875) (for details see T.O. 6R5-2-45-4) (ATTACHING PARTS)	1	
	AN500A10-12	. SCREW	7	
		-----*		
-40	AN844-16D	. ELBOW	2	
-41	26-6007-13	. TUBE ASSY, Metal	1	
-42	26-6007-11	. TUBE ASSY, Metal	1	
	AN818-16D	. NUT	1	
	MS20819-16D	. SLEEVE	1	
-43	AN914-16D	. ELBOW	1	
-44	MS20822-16D	. ELBOW	2	
-45	10-443-4M4N	. VALVE, Fuel selector (92003) (for details see T.O. 6R9-9-1-54) (ATTACHING PARTS)	1	
	MS20365-1032	. NUT	3	
	AN960-10	. WASHER	3	
	NAS43DD3-14	. SPACER	3	
	AN3-34A	. BOLT	3	
		-----*		
-46	26-6105-1	. BRACKET, Fuel selector LH (LH only)	1	
	26-6105-2	. BRACKET, Fuel selector RH (RH only) (ATTACHING PARTS)	1	
	MS20365-1032	. NUT	4	
	AN960-10	. WASHER	4	
	AN3-5	. BOLT	4	
		-----*		
-47	8TJ17AAA	. TRANSMITTER ASSY, Fuel level (24446) (for details see T.O. 5L6-4-2-14) (ATTACHING PARTS)	1	
	AN500A10-12	. SCREW	5	
	AN960-10	. WASHER	5	
		-----*		
-48	8TJ17AAB	. TRANSMITTER ASSY, Fuel level (24446) (for details see T.O. 5L6-4-2-14) (ATTACHING PARTS)	1	
	AN500-10-12	. SCREW	5	
	AN960-10	. WASHER	5	
		-----*		

Section II
Group Assembly Parts List

T.O. 1B-26K-4

FIG. AND INDEX NO.	PART NUMBER	DESCRIPTION	UNITS PER ASSY	USABLE ON CODE
8-49	26-6007-43	. TUBE ASSY, Metal	1	
-50	26-6007-39	. TUBE ASSY, Metal (LH only)	1	
-51	26-6007-40	. TUBE ASSY, Metal (RH only)	1	
-52	26-6007-41	. TUBE ASSY, Metal (RH only)	1	
-53	26-6007-42	. TUBE ASSY, Metal (RH only)	1	
	AN818-4 NUT	2	
	 SLEEVE	2	
-54	AN816-4	. NIPPLE	1	
-55	AN924-4	. NUT	1	
	AN804-4	. TEE	1	
-56	AN6227B9	. PACKING	1	
	AN924-4	. NUT	1	
	AN833-4	. ELBOW	1	
-57	AN826-4	. TEE (RH only)	1	
-58	AN822-4	. ELBOW (RH only)	1	
-59	AN924-4	. NUT (RH only)	1	
	AN960-716	. WASHER (RH only)	1	
	AN932-4	. UNION (RH only)	1	
-60	G104A4CA2	. SOLENOID, Electrical (40931) (RH only)	1	
		(ATTACHING PARTS)		
	AN3-4	. BOLT	2	
	AN960-10	. WASHER	2	
		-----*		
-61	AN5765-1	. TRANSMITTER ASSY (GFE) (for details see T. O. 5P5-3-2-1)	1	
-62	1G142	. TRANSMITTER, Fuel pressure warning (09049)	1	
-63	AN913-1D	. PLUG (RH only)	1	
-64	26-6003-33	. HOSE, Wing fuel system	2	
	AN737TW56-66	. CLAMP	4	
-65	26-6007-1	. TUBE, Metal	1	
-66	AN840-16D	. ADAPTER	1	
-67	AN914-16D	. ELBOW	1	
-68	AN5830-6	. VALVE	1	
-69	6ELPD	. FITTING (76091)	1	
-70	AN842-16D	. ELBOW	1	
-71	26-6003-35	. HOSE, Wing fuel system	1	
	AN737TW56-66	. CLAMP	2	
-72	26-6003-33	. HOSE, Wing fuel system	2	
	AN737TW56-66	. CLAMP	4	
-73	AN848-16D	. ELBOW	3	
-74	26-6007-5	. TUBE ASSY, Metal	1	
	AN818-16D NUT	1	
	MS20819-16D SLEEVE	1	
-75	AN816-16D	. NIPPLE	1	
-76	AN4101CH	. PUMP ASSY, Fuel (for details see T. O. 6R5-3-10-21)	1	
		(ATTACHING PARTS)		
	AN5-13A	. BOLT	4	
	AN960-516	. WASHER	4	
		-----*		
-77	26-6003-11	. HOSE, Wing fuel system	1	
	AN737TW56-66	. CLAMP	2	
-78	AN924-16D	. NUT	1	
	AN960-2116	. WASHER	1	
	AN849-16D	. CONNECTOR	1	
-79	26-6003-9	. HOSE, Wing fuel system	1	
	AN737TW56-66	. CLAMP	2	
-80	26-6003-3	. HOSE, Wing fuel system (LH only)	1	
	26-6003-23	. HOSE, Wing fuel system (RH only)	1	
	AN737TW56-66	. CLAMP	2	
-81	26-6007-2	. TUBE ASSY, Metal (LH only)	1	
-82	26-6007-3	. TUBE ASSY, Metal (LH only)	1	
	AN818-16D NUT	1	
	MS20819-16D SLEEVE	1	
-83	AN924-16D	. NUT	1	
	AN960-2116	. WASHER	1	
	AN833-16D	. ELBOW (LH only)	1	
	AN846-16D	. ELBOW (RH only)	1	
-84	26-6003-5	. HOSE, Wing fuel system	1	

FIG. AND INDEX NO.	PART NUMBER	DESCRIPTION 1 2 3 4 5 6 7	UNITS PER ASSY	USABLE ON CODE
8-	AN737TW56-66	. CLAMP	2	
-85	26-6003-7	. HOSE, Wing fuel system	1	
	AN737TW56-66	. CLAMP	2	
-86	AN924-16D	. NUT	2	
	AN960-2116	. WASHER	2	
	AN846-16D	. ELBOW	2	
-87		FUEL SYSTEM INSTL, Fuselage fixed (see fig. 6)	REF	
-88		FUEL PLUMBING INSTL, Inboard pylon wing station 180	REF	
		(see fig. 5)		
-89		TANK INSTL, Wing tip (see fig. 5)	REF	
		A - USAF 17653		
		B - USAF 17640 thru 17652 and 17654 thru 17679		

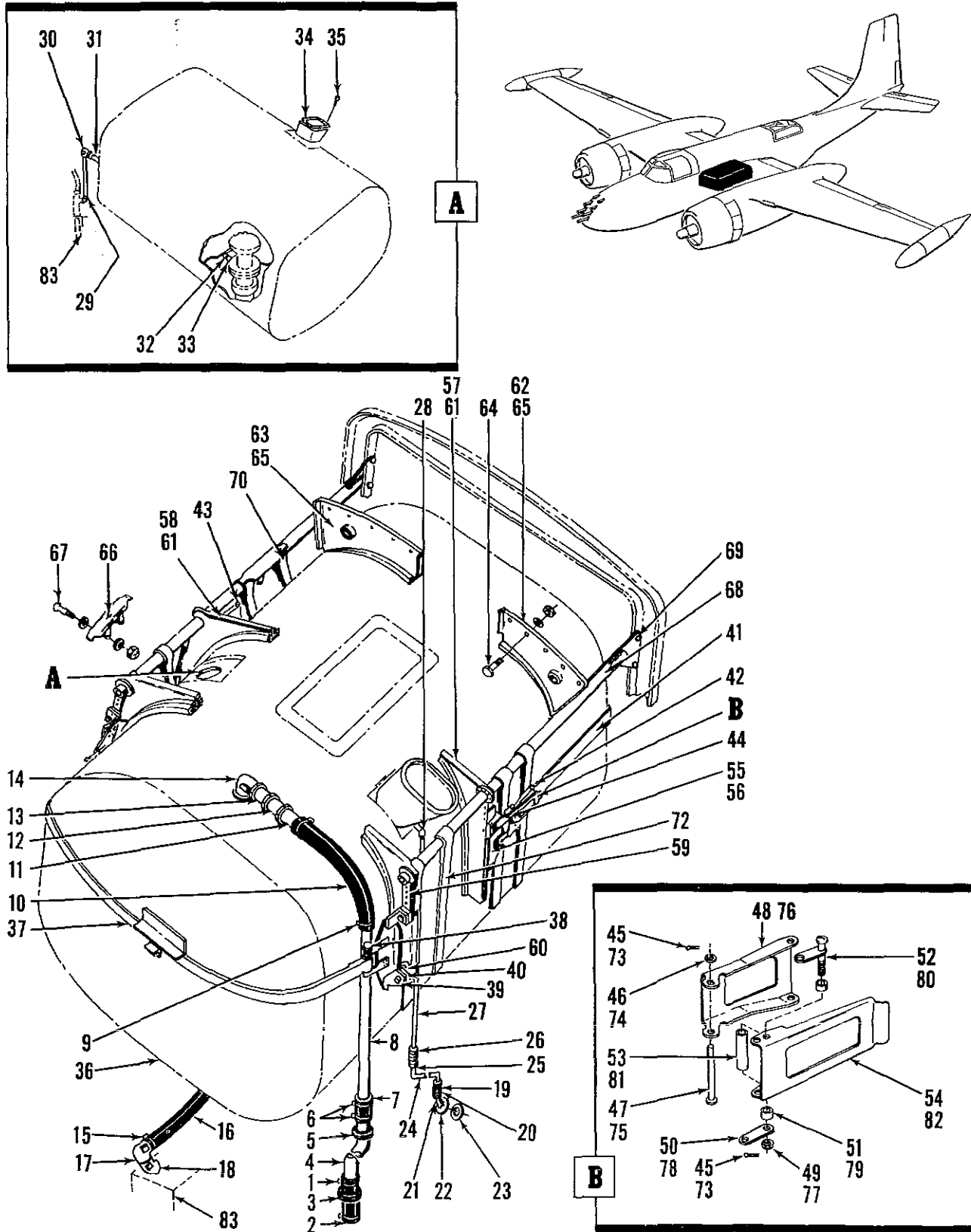


Figure 9. Bomb Bay Tank Installation (Fuel)

FIG. AND INDEX NO.	PART NUMBER	DESCRIPTION 1 2 3 4 5 6 7	UNITS PER ASSY	USABLE ON CODE
9-	26-6106-1	TANK INSTL, Bomb bay (fuel) (altered from 5202251 (18355)) (for NHA see fig. 5)	REF	
-1	A3122-28-59	. CLAMP (78553)	2	
-2	AN884-20-32	. HOSE	1	
-3	1093738-10	. GROMMET (18355)	1	
-4	5128410-146	. TUBE, Metal (18355)	1	
-5	MS35489-24-28	. GROMMET	1	
-6	A3122-28-59	. CLAMP (78553)	2	
-7	AN884-20-15	. HOSE	1	
-8	26-6106-6	. TUBE ASSY, Metal	1	
-9	AN737TW44-48	. CLAMP	1	
-10	26-6106-7	. HOSE	1	
-11	26-6106-5	. TUBE ASSY, Metal	1	
	AN818-16D	. NUT	1	
	MS20819-16D	. SLEEVE	1	
-12	26-6106-3	. VALVE ASSY, Check (altered from 1-1045-76 (USAF))	1	
-13	26-6106-4	. TUBE ASSY, Metal	1	
	AN818-16D	. NUT	2	
	MS20819-16D	. SLEEVE	2	
-14	26-6106-2	. ELBOW (Altered from MS20822-16D)	1	
-15	A3122-28-59	. CLAMP (78553)	2	
-16	4127510-24	. HOSE, Fuel system (18355)	1	
-17	AN842-16D	. ELBOW	1	
-18	AN915-6	. ELBOW	1	
-19	A3122-10-59	. CLAMP (78553)	2	
-20	AN884-6-15	. HOSE	1	
-21	AN844-6D	. ELBOW	1	
-22	865-2	. FLANGE (USAF standard)	1	
-23	2275014	. GASKET (18355)	1	
-24	5128410-148	. LINE ASSY, Fuel (18355)	1	
	AN818-6D	. NUT	1	
	MS20819-6D	. SLEEVE	1	
-25	MS35489-6-16	. GROMMET	1	
-26	AN815-6D	. UNION	1	
-27	5128410-144	. LINE ASSY, Fuel (18355)	1	
	AN818-6D	. NUT	1	
	MS20819-6D	. SLEEVE	1	
-28	A3122-10-59	. CLAMP (78553)	1	
-29	5128410-176	. LINE ASSY, Fuel system (18355)	1	
	AN818-4D	. NUT	2	
	MS20819-4D	. SLEEVE	2	
-30	AN833-4D	. ELBOW	1	
-31	5128410-168	. LINE ASSY, Fuel system (18355)	1	
	AN818-4D	. NUT	1	
	MS20819-4D	. SLEEVE	1	
-32	A3122-10-59	. CLAMP (78553)	2	
-33	AN884-4-15	. HOSE	1	
-34	4129451	. RETAINER, Bomb bay fuel tank filler well (18355) (ATTACHING PARTS)	1	
	1791-10Z	. NUT (78553)	10	
-35	1114189Z10-8	. SCREW (18355)	10	
		----*----		
-36	5206242	. TANK ASSY, Bomb bay fuel (18355) (for details see fig. 8)	1	
-37	4191471	. STRAP, Bomb bay fuel tank forward stop (18355) (ATTACHING PARTS)	1	
	MS20365-428	. NUT	2	
	AN960D416	. WASHER	4	
	2033900-8S120-302	. SPACER	2	
-38	AN4-47A	. BOLT	2	
		----*----		
-39	4202379	. BRACKET ASSY, Bomb bay fuel tank fwd end strap (18355) (ATTACHING PARTS)	2	
	MS20365-624	. NUT	4	
	AN960-616	. WASHER	4	
-40	AN6-22A	. BOLT	4	
		----*----		
-41	4190219-4	. STRAP ASSY, Bomb bay fuel takeup (18355) (ATTACHING PARTS)	1	
	MS20365-428	. NUT	2	

Section II
Group Assembly Parts List

T.O. 1B-26K-4

FIG. AND INDEX NO.	PART NUMBER	DESCRIPTION	UNITS PER ASSY	USABLE ON CODE
9-	AN960D416	WASHER.	2	
	2033900-8S120-302	SPACER (18355).	1	
-42	AN4-34A	BOLT.	1	
-43	AN4-47A	BOLT.	1	
		*-----		
	4191510	BUCKLE ASSY, Bomb bay fuel tank latch (18355). (ATTACHING PARTS)	1	
	MS20365-428	NUT.	1	
	AN960D416	WASHER.	2	
	2033900-8S120-302	SPACER (18355).	1	
-44	AN4-47A	BOLT.	1	
		*-----		
-45	MS24665-3-3	PIN	2	
-46	AN960-416L	WASHER.	1	
-47	MS20392-81	PIN	1	
-48	4191510-4	BASE, Bomb bay fuel tank latch buckle (18355)	1	
-49	AN310-4	NUT.	1	
-50	4191510-6	LINK, Bomb bay fuel tank latch buckle (18355)	2	
-51	NAS43HT4-18	SPACER.	3	
-52	AN24-56	BOLT.	1	
-53	NAS43HT4-418	SPACER	1	
-54	4191510-2	LEVER, Bomb bay fuel tank latch buckle (18355).	1	
-55	4202378	BRACKET ASSY, Bomb bay fuel tank aft end strap LH (18355).	1	
	4202378-1	BRACKET ASSY, Bomb bay fuel tank aft end strap RH (18355). (ATTACHING PARTS)	1	
	MS20365-624	NUT.	4	
	AN960-616	WASHER.	4	
-56	AN6-22A	BOLT.	4	
		*-----		
-57	5150080-1	CHOCK ASSY, Bomb bay fuel tank main (18355)	2	
-58	5150080	CHOCK ASSY, Bomb bay fuel tank main (18355) (ATTACHING PARTS)	2	
	MS20365-624	NUT.	16	
	AN960D616	WASHER.	16	
-59	AN6-11A	BOLT.	12	
-60	AN6-13A	BOLT.	4	
		*-----		
-61	1085061-2100	CHANNEL, Strap tank pad 1-1/4 in. (18355)	1	
-62	5150239	CHOCK ASSY, Bomb bay fuel tank rear LH (18355)	1	
-63	5150239-1	CHOCK ASSY, Bomb bay fuel tank rear RH (18355) (ATTACHING PARTS)	1	
	MS20365-428	NUT.	10	
	AN960D416	WASHER.	10	
-64	AN4-4A	BOLT.	10	
		*-----		
-65	1085061-1224	CHANNEL, Strap tank pad 1-1/4 in. (18355).	1	
-66	2158776	STOP ASSY, Bomb bay fuel container support (18355). (ATTACHING PARTS)	4	
	MS20365-1032	NUT.	8	
	AN960D10	WASHER.	16	
-67	AN520-10-8	SCREW.	8	
		*-----		
-68	4129452	TUBE ASSY, Bomb bay fuel tank support (18355). (ATTACHING PARTS)	2	
	MS20365-428	NUT.	4	
	AN960D416	WASHER.	4	
-69	AN4-10A	BOLT.	4	
		*-----		
-70	4190219-2	STRAP ASSY, Bomb bay fuel tank takeup (18355).	4	
	4190218	STRAP ASSY, Bomb bay fuel tank latch (18355).	4	
	MS20365-428	NUT.	2	
	NAS43HT4-604	SPACER.	2	
-71	AN4-35A	BOLT.	2	
-72	4190220	STRAP, Bomb bay fuel tank latch (18355).	1	
	4191510	BUCKLE ASSY, Bomb bay fuel tank latch (18355).	1	
-73	MS24665-3-3	PIN	2	

FIG. AND INDEX NO.	PART NUMBER	DESCRIPTION							UNITS PER ASSY	USABLE ON CODE	
		1	2	3	4	5	6	7			
9-74	AN960-416L	WASHER.....			1		
-75	MS20392-81	PIN.....			1		
-76	4191510-4	BASE, Bomb bay fuel tank latch buckle (18355).....			1		
-77	AN310-4	NUT.....			1		
-78	4191510-6	LINK, Bomb bay fuel tank latch buckle (18355).....			2		
-79	NAS43HT4-18	SPACER.....			3		
-80	AN24-56	BOLT.....			1		
-81	NAS43HT4-418	SPACER.....			1		
-82	4191510-2	LEVER, Bomb bay fuel tank latch buckle (18355).....			1		
-83		FUEL SYSTEM INSTL, Fuselage fixed (see fig. 6).....								REF	

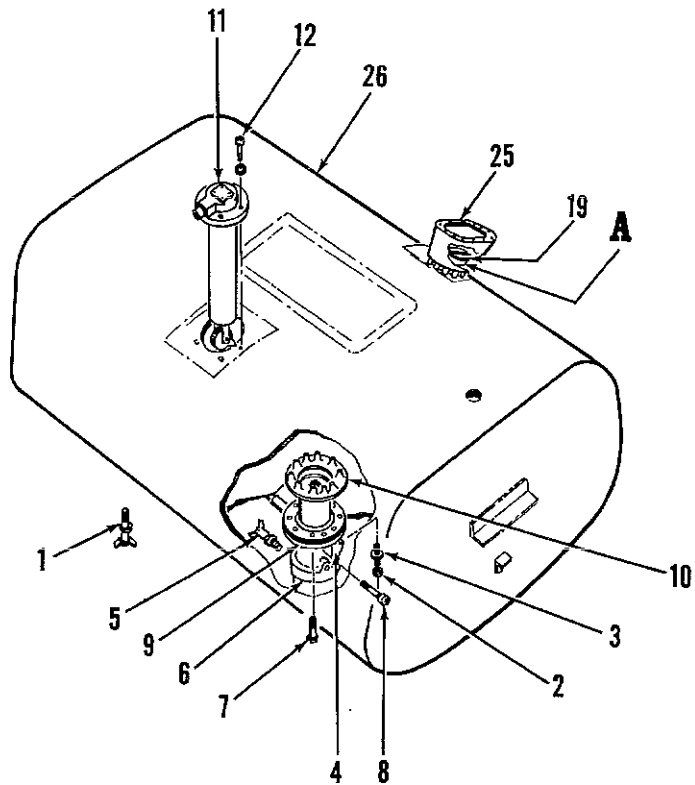
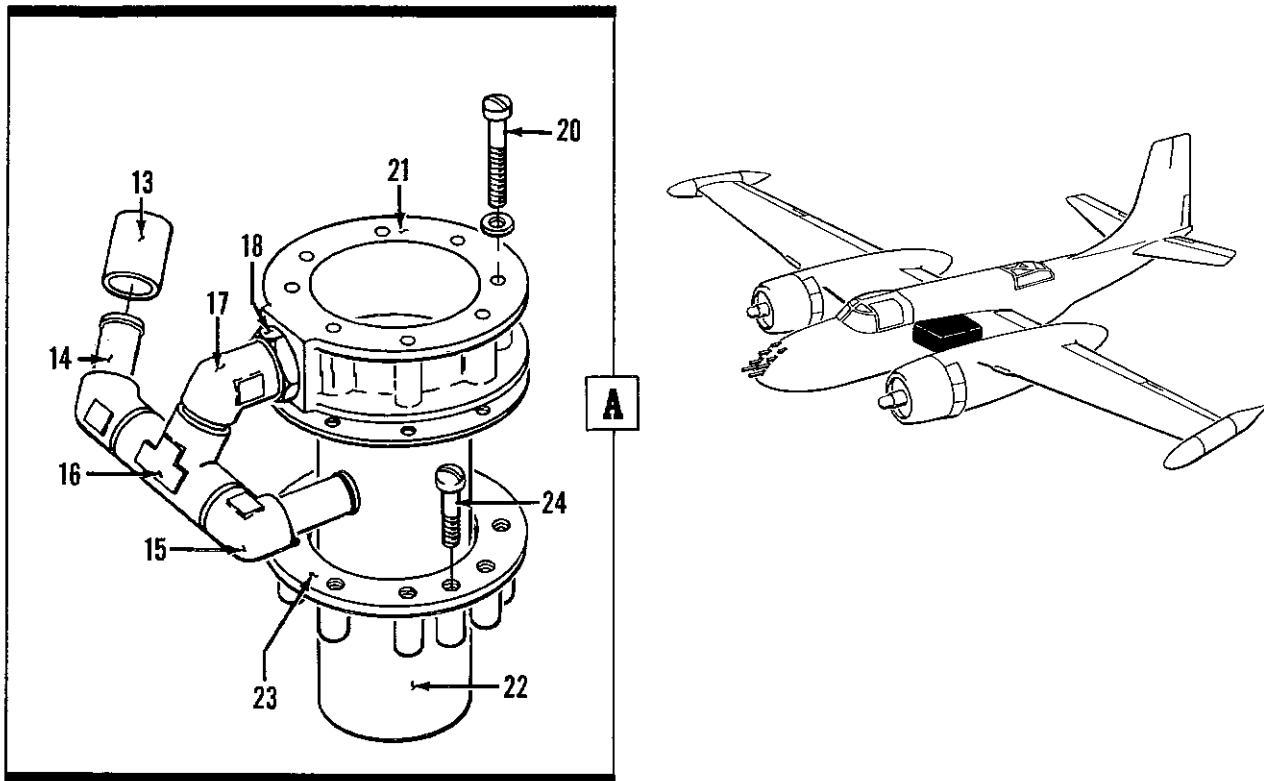


Figure 10. Bomb Bay Fuel Tank Assembly

FIG. AND INDEX NO.	PART NUMBER	DESCRIPTION	UNITS PER ASSY	USABLE ON CODE
10-	5206242	TANK ASSY, Bomb bay fuel (18355) (for NHA see fig. 9)	Ref	
-1	K1700B2	. COCK ASSY, Drain (75361)(for details see T.O. 6R9-4-1-34)	1	
-2	MS20365-1032	. NUT.	1	
-3	1190687-4	. STUD (18355)	1	
-4	AN844-4D	. ELBOW	1	
-5	K170081	. COCK ASSY, Drain (75361)(for details see T.O. 6R9-4-1-34)	1	
-6	TFD12100-1	. PUMP ASSY, Variable pressure booster (59875)(for details see T.O. 6R5-2-45-4) (ATTACHING PARTS)	1	
-7	AN500A10-16	. SCREW.	2	
-8	AN500A10-20	. SCREW.	7	
		-----*		
-9	2126546	. GASKET, Ferry tank fuel pump (18355)	2	
-10	2129282	. FLANGE, Bomb bay fuel container pump mount (18355)	1	
-11	8TJ17AGR	. TRANSMITTER, Fuel quantity (24446)(for details see T.O. 5L6-4-2-14) (ATTACHING PARTS)	1	
-12	AN503-10-12	. SCREW.	5	
	AN960D10	. WASHER.	5	
		-----*		
-13	1205182	. CAP, Ferry tank to bomb bay vent (18355)	1	
-14	AN844-12D	. ELBOW	1	
-15	AN842-12D	. ELBOW	1	
-16	AN917-6D	. TEE.	1	
-17	AN915-6D	. ELBOW	1	
-18	AN911-6D	. NIPPLE	1	
-19	40B1718	. CAP AND ADAPTER ASSY, Fuel tank filler (18355). (ATTACHING PARTS)	1	
-20	AN503-10-44	. SCREW.	8	
	AN960-10	. WASHER.	8	
		-----*		
-21	4193478	. COLLAR, Bomb bay tank filler (18355)	1	
-22	2193686	. SLEEVE, Bomb bay tank filler (18355)	1	
-23	2129284	. FLANGE, Bomb bay fuel container filler mount (18355) (ATTACHING PARTS)	1	
-24	AN503-10-16	. SCREW.	2	
		-----*		
-25	5150084	. WELL ASSY, Bomb bay fuel tank filler (18355)	1	
-26	5206241	. CONTAINER ASSY, Bomb bay (18355)	1	

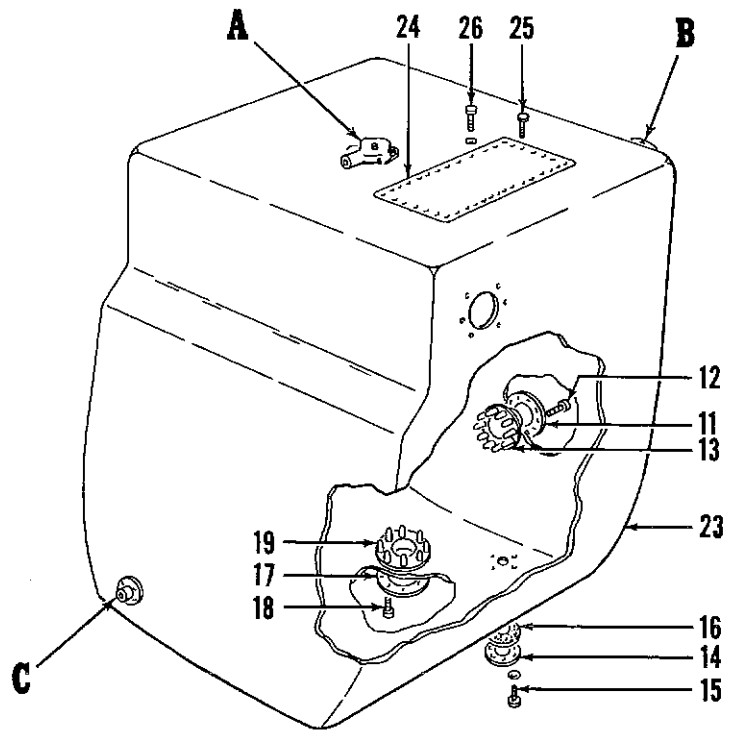
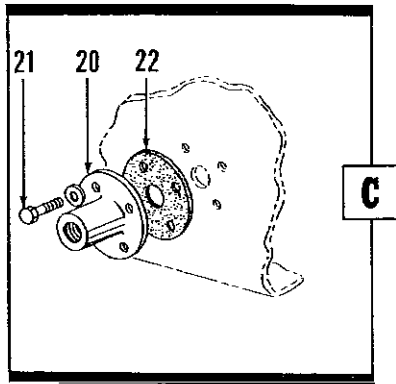
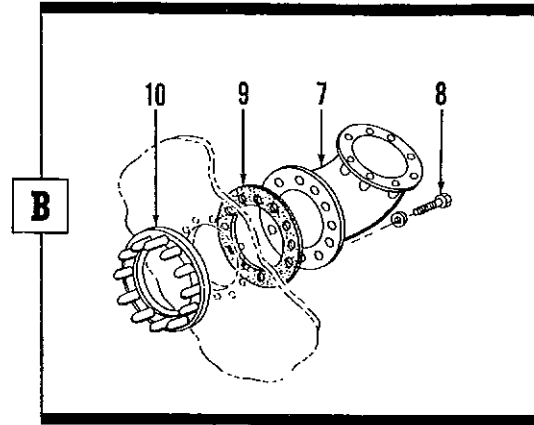
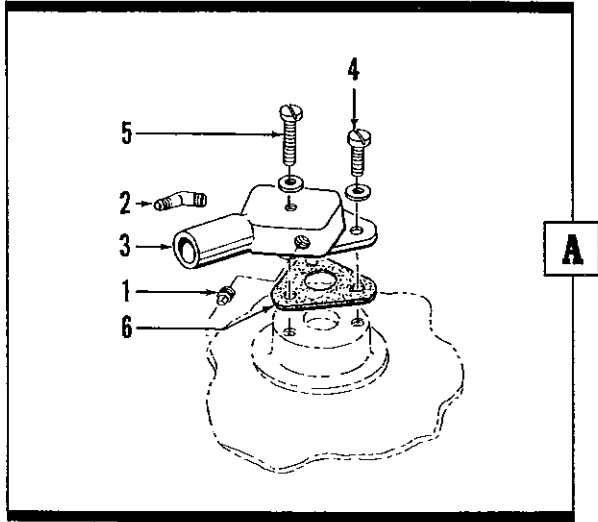
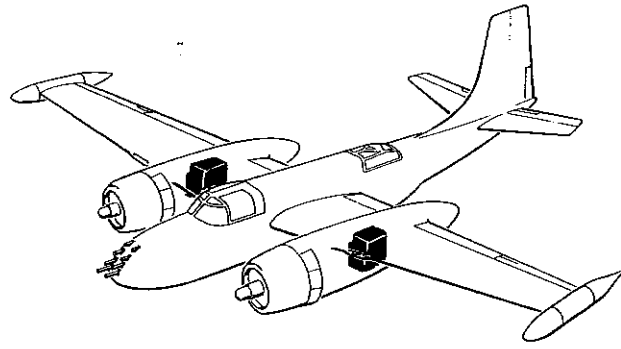


Figure 11. LH and RH Nacelle Fuel Container Installations

FIG. AND INDEX NO.	PART NUMBER	DESCRIPTION	UNITS PER ASSY	USABLE ON CODE
11-	5153062	CONTAINER INSTL, Nacelle fuel LH (18355) (for NHA see fig. 5) . . .	REF	
	5153062-1	CONTAINER INSTL, Nacelle fuel RH (18355) (for NHA see fig. 5) . . .	REF	
-1	AN913-1	. PLUG	1	
-2	MS20823-4	. ELBOW	1	
-3	2126545	. FLANGE, Nacelle fuel tank vent (18355) (ATTACHING PARTS)	1	
-4	AN503-416-10	. SCREW	2	
-5	AN503-416-26	. SCREW	1	
	AN960D416	. WASHER	3	
		-----*		
-6	1128968	. GASKET, Nacelle fuel container vent (18355)	1	
-7	5191835	. NECK, Nacelle fuel tank (18355) (ATTACHING PARTS)	1	
-8	MS20073-04-22	. BOLT	12	
	AN960D416	. WASHER	12	
		-----*		
-9	2126698	. GASKET, Nacelle fuel filler neck (18355)	1	
-10	2126741	. RING, Nacelle fuel filler mount (18355)	1	
-11	2192670	. PLATE, Nacelle fuel gage washer (18355) (ATTACHING PARTS)	1	
-12	AN503-416-34	. SCREW	10	
		-----*		
-13	4123691	. FLANGE, Fuel gage mounting (18355)	1	
-14	2126544	. FLANGE, Nacelle fuel drain mounting (18355) (ATTACHING PARTS)	1	
-15	MS20073-04-05	. BOLT	6	
	AN960-416L	. WASHER	6	
		-----*		
-16	1125861	. GASKET, Nacelle fuel drain (18355)	1	
-17	2126809	. PLATE, Nacelle fuel pump washer (18355) (ATTACHING PARTS)	1	
-18	AN503-416-21	. SCREW	8	
		-----*		
-19	4123690	. FLANGE, Nacelle fuel pump mounting (18355)	1	
-20	1128914	. FLANGE, Cockpit heater nacelle fuel pump outlet (RH only) (18355) (ATTACHING PARTS)	1	
-21	MS20073-04-05	. BOLT	4	
	AN960D416	. WASHER	4	
		-----*		
-22	1128913	. GASKET, Cockpit heater nacelle fuel outlet only (RH only) (18355)	1	
-23	5278597	. CONTAINER ASSY, Nacelle fuel LH (18355)	1	
	5278597-1	. CONTAINER ASSY, Nacelle fuel RH (18355)	1	
-24	5278597-4	. DOOR ASSY, Nacelle fuel container access (18355) (ATTACHING PARTS)	1	
-25	MS20073-04-06	. BOLT	8	
-26	MS20073-04-04	. BOLT	32	
	AN960D416	. WASHER	24	
		-----*		
	5278597-2	. CONTAINER ASSY, Nacelle fuel LH (18355)	1	
	5278597-3	. CONTAINER ASSY, Nacelle fuel RH (18355)	1	

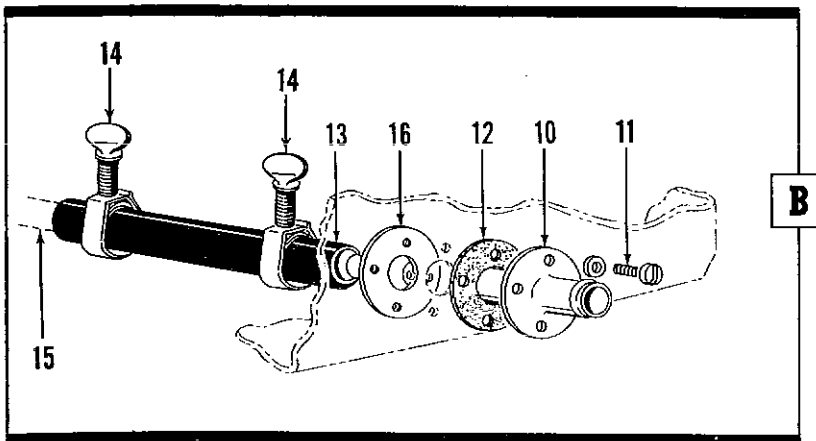
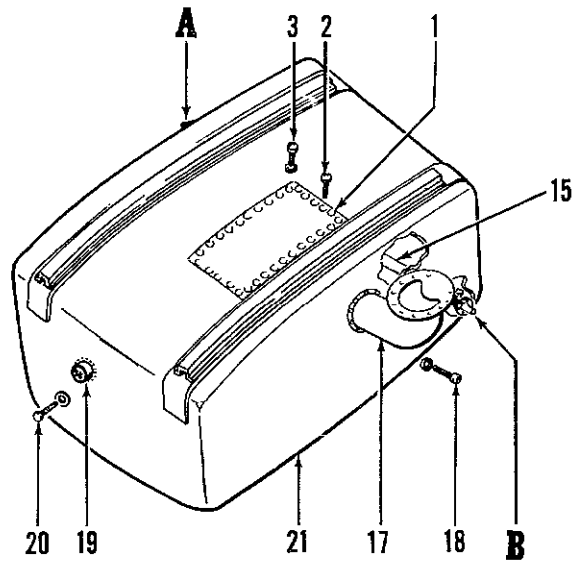
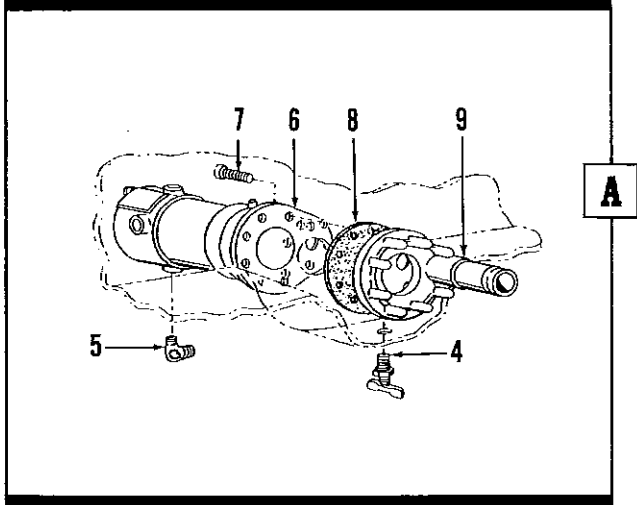
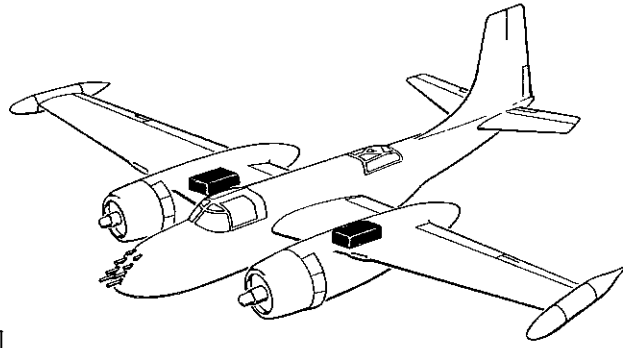


Figure 12. LH and RH Wing Fuel Container Installations

FIG. AND INDEX NO.	PART NUMBER	DESCRIPTION 1 2 3 4 5 6 7	UNITS PER ASSY	USABLE ON CODE
12-	5122064	CONTAINER INSTL, Wing fuel LH (18355) (for NHA see fig. 5)	REF	
	5122064-1	CONTAINER INSTL, Wing fuel RH (18355) (for NHA see fig. 5)	REF	
-1	5122065-4	. COVER ASSY, Wing fuel container (18355) (ATTACHING PARTS)	1	
-2	MS20073-04-06	. BOLT	8	
-3	MS20073-04-04	. BOLT	32	
	AN960-416	. WASHER -----*	32	
-4	AN771-1	. COCK	1	
-5	MS20822-4D	. ELBOW	1	
-6	TFD6600-2	. PUMP ASSY, Booster LH (59875) (for details see T.O. 6R5-2-45-4) . .	1	
	TFD6600-3	. PUMP ASSY, Booster RH (59875) (for details see T.O. 6R5-2-45-4) . . (ATTACHING PARTS)	1	
-7	AN503-416-22	. SCREW -----*	9	
-8	4123715	. GASKET, Wing fuel pump (18355)	1	
-9	4123701	. FLANGE, Wing fuel pump mounting inner (18355)	1	
-10	2126566	. FITTING, Hose union fuel tank outlet 1 in. (18355) (ATTACHING PARTS)	1	
-11	AN503-416-20	. SCREW	4	
	AN960D416	. WASHER -----*	4	
-12	1125882	. GASKET, Wing fuel tank outlet (18355)	1	
-13	AN844-16-15	. HOSE	1	
-14	AN737TW48-56	. CLAMP	2	
-15	5128410-170	. LINE ASSY, Fuel system (18355)	1	
-16	2126567	. FLANGE, Wing fuel tank outlet inner (18355)	1	
-17	5123968	. NECK, Wing fuel tank filler LH (18355)	1	
	5123968-1	. NECK, Wing fuel tank filler RH (18355) (ATTACHING PARTS)	1	
-18	AN503-416-16	. SCREW	16	
	MS15795-310	. WASHER -----*	16	
-19	4123691	. FLANGE, Fuel gage mounting (ATTACHING PARTS)	1	
-20	AN503-416-30	. SCREW	10	
	MS15795-310	. WASHER -----*	10	
-21	5122065-2	. CONTAINER ASSY, Wing fuel LH (18355)	1	
	5122065-3	. CONTAINER ASSY, Wing fuel RH (18355)	1	

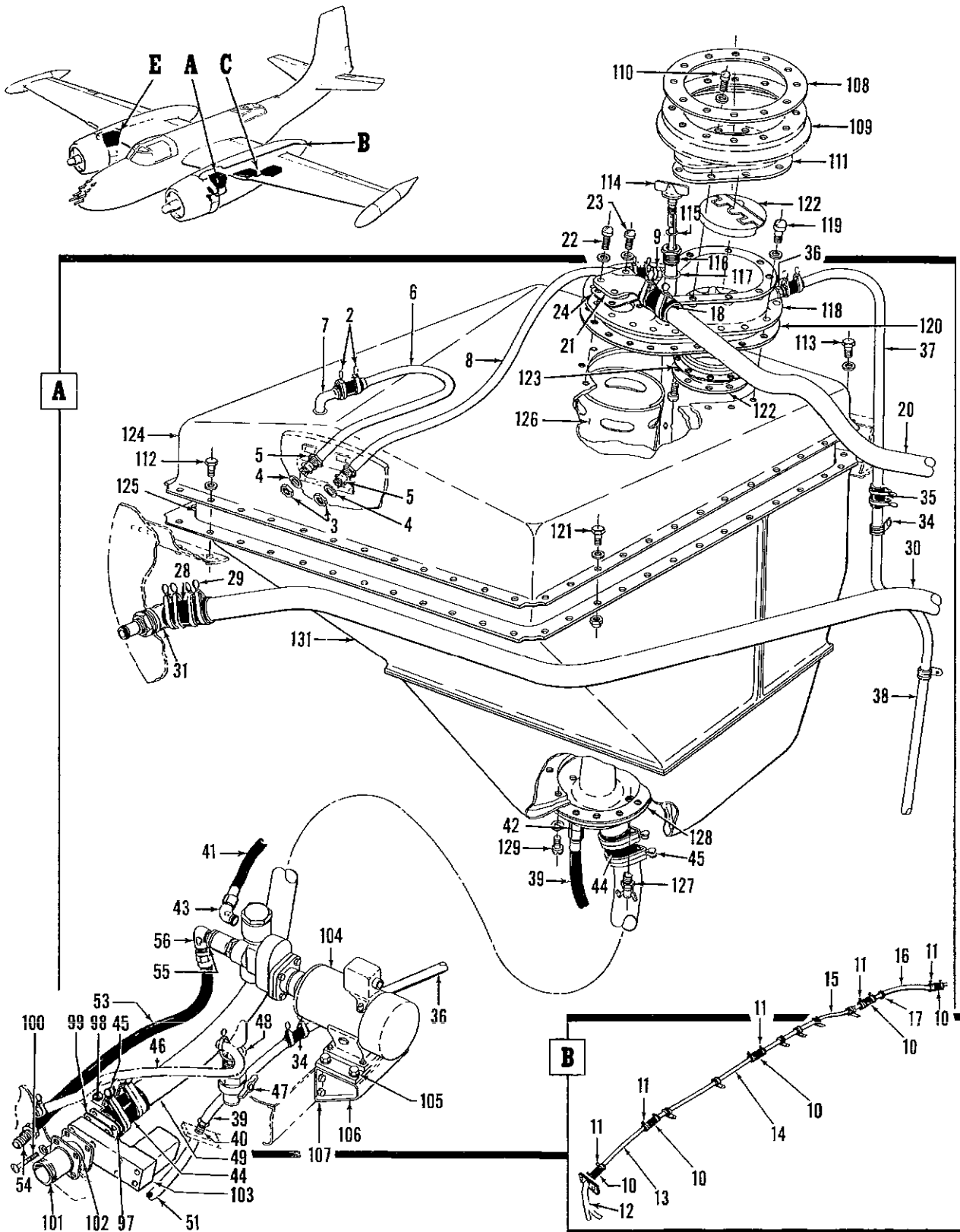


Figure 13. LH and RH Wing Oil System Installation (Sheet 1 of 2)

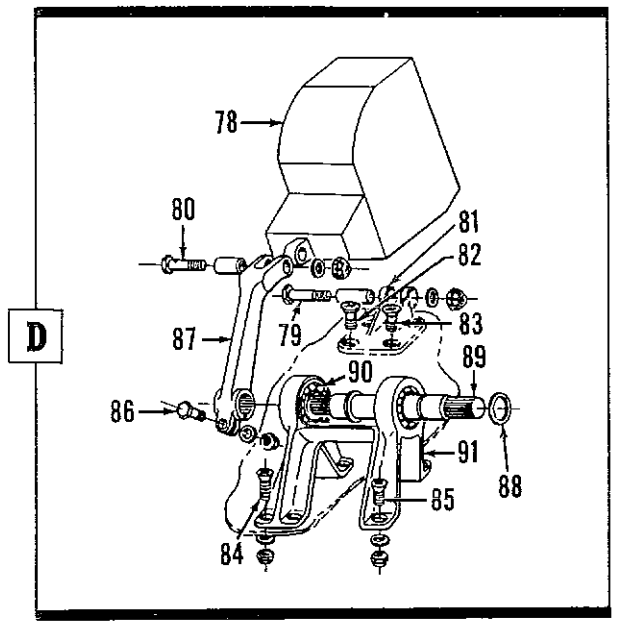
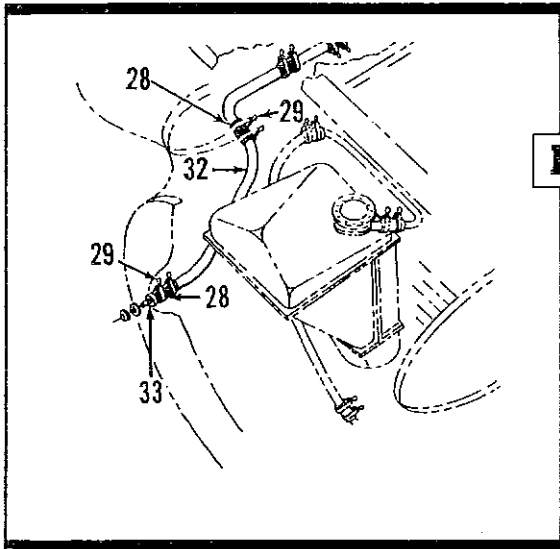
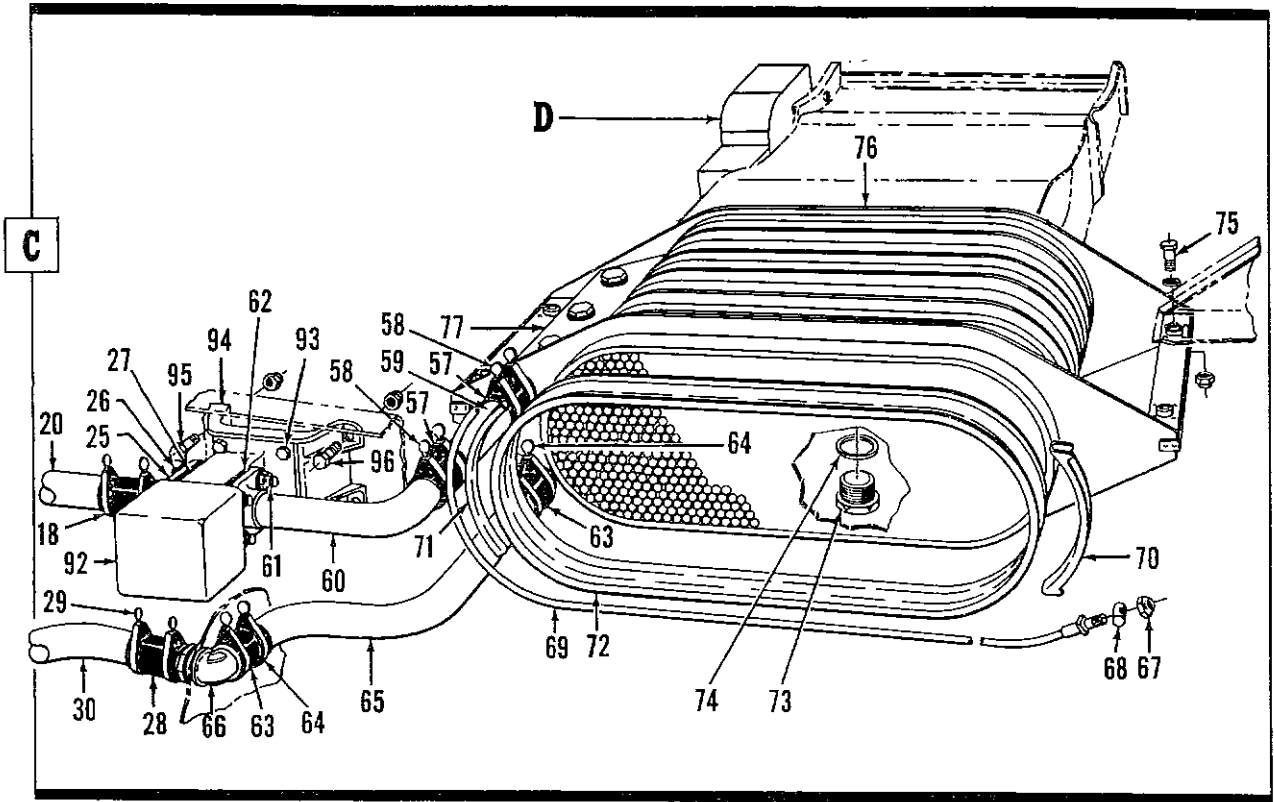


Figure 13. LH and RH Wing Oil System Installation (Sheet 2 of 2)

Section II
Group Assembly Parts List

T.O. 1B-26K-4

FIG. AND INDEX NO.	PART NUMBER	DESCRIPTION	UNITS PER ASSY	USABLE ON CODE
13-	26-6300-1	OIL SYSTEM INSTL, Wing, LH (for NHA see fig. 3) (altered from . . . 5153067 (18355))	REF	
	26-6300-2	OIL SYSTEM INSTL, Wing, RH (for NHA see fig. 3) (altered from . . . 5153067-1 (18355))	REF	
-1	26-6300-9	. HOSE, Rubber	1	
-2	AN737-TW34-38	. CLAMP	2	
-3	AN924-8	. NUT	2	
-4	AN960D1216	. WASHER	2	
-5	AN832-8	. UNION	2	
-6	26-6008-109	. TUBE ASSY, Vent	1	
	MS2-819-8D	. SLEEVE	1	
	AN818-8D	. NUT	1	
-7	2209712	. ELBOW, Oil container forward vent (18355)	1	
-8	26-6008-111	. TUBE ASSY, Vent (LH only)	1	
	26-6008-1001	. TUBE ASSY, Vent (RH only)	1	
	MS20819-8D	. SLEEVE	2	
	AN818-8D	. NUT	2	
-9	AN816-8D	. NIPPLE	1	
-10	26-6300-5	. HOSE, Rubber	5	
-11	AN737TW56-66	. CLAMP	10	
-12	26-8123-1	. VENT, Engine oil breather	1	
-13	26-6008-101	. TUBE, Oil breather (LH only)	1	
	26-6008-102	. TUBE, Oil breather (RH only)	1	
-14	26-6008-103	. TUBE, Oil breather (LH only)	1	
	26-6008-104	. TUBE, Oil breather (RH only)	1	
-15	26-6008-105	. TUBE, Oil breather (LH only)	1	
	26-6008-106	. TUBE, Oil breather (RH only)	1	
-16	26-6008-107	. TUBE, Oil breather (LH only)	1	
	26-6008-108	. TUBE, Oil breather (RH only)	1	
-17	MS35489-24-28	. GROMMET	1	
-18	26-6300-5	. HOSE, Rubber	2	
-19	AN737TW56-66	. CLAMP	8	
-20	5129988-62	. TUBE, Oil return (18355) (LH only)	1	
	5129988-60	. TUBE, Oil return (18355) (RH only)	1	
-21	4123739	. FITTING, Oil tank hopper inlet (18355) (LH only)	1	
	4192860	. FITTING, Oil tank hopper inlet (18355) (RH only)	1	
		(ATTACHING PARTS)		
-22	AN74A13	. SCREW (LH only)	2	
	AN500-416-14	. SCREW (RH only)	2	
-23	AN74A11	. SCREW (LH only)	2	
	AN500A14-10	. SCREW (RH only)	2	
	AN960-416L	. WASHER	4	
		-----*-----		
-24	1125908	. GASKET (18355)	1	
-25	AN4049-6	. CONNECTION	1	
		(ATTACHING PARTS)		
-26	AN310-5	. NUT	4	
	AN960-516	. WASHER	4	
		-----*-----		
-27	2275938	. GASKET (18355)	1	
-28	26-6300-5	. HOSE, Rubber	2	
-29	AN737TW56-66	. CLAMP	8	
-30	5129988-106	. TUBE, Oil pressure (18355) (LH only)	1	
-31	AN838-24	. ELBOW (LH only)	1	
	AN924-24	. NUT (LH only)	1	
	AN960-3016	. WASHER (LH only)	1	
-32	5129988-88	. TUBE, Oil pressure (18355) (RH only)	1	
-33	AN849-24	. FITTING (RH only)	1	
	AN924-24	. NUT (RH only)	1	
	AN960-3016	. WASHER (RH only)	1	
-34	26-6300-11	. HOSE, Rubber	2	
-35	AN737TW26	. CLAMP	4	
-36	AN816-6	. NIPPLE	1	
	AN818-6	. NUT	1	
	MS20819-6	. SLEEVE	1	
-37	26-6008-113	. TUBE, Overflow drain (LH only)	1	

FIG. AND INDEX NO.	PART NUMBER	DESCRIPTION	UNITS PER ASSY	USABLE ON CODE
13-	5129988-64	TUBE, Overflow drain (18355) (RH only)	1	
-38	26-6008-115	TUBE, Overflow drain (LH only)	1	
	5129988-76	TUBE, Overflow drain (18355) (RH only)	1	
-39	5129988-90	TUBE, Overflow drain (18355) (LH only)	1	
	5129988-92	TUBE ASSY, Overflow drain (18355) (RH only)	1	
-40	AN816-6D	NIPPLE	1	
-41	390A16D0142	HOSE ASSY, Rubber (18355) (LH only)	1	
	390A16D0132	HOSE ASSY, Rubber (18355) (RH only)	1	
-42	AN816-16-12D	NIPPLE	1	
-43	MS20823-16-12	ELBOW	1	
-44	26-6300-7	HOSE, Rubber	2	
-45	AN737TW74-91	CLAMP	8	
-46		OIL DILUTION LINE (SEE T.O. 1B-26K-10)	REF	
	4207673	TUBE ASSY, Oil tank drain (18355)	1	
-47	2207676	VALVE ASSY, Oil line drain (18355)	1	
-48	AN900-21	GASKET	1	
-49	4207673-4	TUBE ASSY, Oil tank drain (18355)	1	
-50	26-6008-1002	TUBE ASSY, Overflow drain	1	
-51	AN832-8	UNION	1	
	AN924-8	NUT	1	
	AN960-1216	WASHER	1	
-52	AN816-8D	NIPPLE	1	
-53	26-6008-117	TUBE ASSY, Propeller feathering	1	
-54	AN832-10	UNION	1	
	AN924-10	NUT	1	
	AN960-416	WASHER	1	
-55	MS20823-10	ELBOW	1	
-56	AN912-7D	BUSHING	1	
-57	26-6300-5	HOSE, Rubber	2	
-58	AN737TW56-66	CLAMP	8	
-59	5129988-84	TUBE, Oil return (18355)	1	
-60	2206732	CONNECTION ASSY, Oil line thermostat (18355) (ATTACHING PARTS)	1	
-61	AN310-5	NUT	4	
	AN960-516	WASHER	4	
		-----*		
-62	2275938	GASKET, Engine oil flange (18355)	1	
-63	26-6300-5	HOSE, Rubber	2	
-64	AN737TW56-66	CLAMP	8	
-65	5129988-40	TUBE, Oil pressure (18355) (LH only)	1	
	5129988-120	TUBE, Oil pressure (18355) (RH only)	1	
-66	AN848-24	ELBOW	1	
	AN924-24	NUT	1	
	AN960-3016	WASHER	1	
-67	MS20365-1032	NUT	4	
-68	1127655	TRUNNION, Oil cooler seal clamp (18355)	8	
-69	2126687	CABLE ASSY, Oil cooler seal (18355)	4	
-70	4127490	CLAMP ASSY, Oil cooler seal (18355)	4	
-71	2126854	CHANNEL, Oil cooler seal cable (18355)	2	
-72	4127538	SEAL, Oil cooler and duct (18355)	2	
-73	1143999	PLUG, 1-14 NF3 (18355)	1	
-74	AN900-16	GASKET	1	
	2R16013	REGULATOR ASSY, Oil temperature (LH only) (70210)	1	
	2R16013-1	REGULATOR ASSY, Oil temperature (RH only) (70210) (ATTACHING PARTS)	1	
	MS2035-1032	NUT	4	
	AN960-516	WASHER	4	
-75	AN5-16A	BOLT	4	
		-----*		
-76	2R16014	COOLER ASSY, Oil elliptical (70210) (for details see T.O. 7R-1-34)	1	
-77	6G11123	VALVE ASSY, Automatic flap control (70210) (LH only)	1	
	17197	VALVE ASSY, Thermostatic (70210) (RH only)	1	
	5207575	ACTUATOR INSTL, Oil cooler door LH (18355)	1	
	5207575-1	ACTUATOR INSTL, Oil cooler door RH (18355)	1	
-78	12001	ACTUATOR ASSY, Flap door oil cooler door (70210) (for details see T.O. 8D1-40-2-3) (ATTACHING PARTS)	1	
	AN320-4	NUT	2	

Section II
Group Assembly Parts List

T.O. 1B-26K-4

FIG. AND INDEX NO.	PART NUMBER	DESCRIPTION	UNITS PER ASSY	USABLE ON CODE
13-	AN960-416	. . . WASHER	2	
	1206217	. . . SPACER, Oil cooler door actuator (18355)	2	
-79	AN24-48	. . . BOLT	1	
-80	AN24-28	. . . BOLT	1	
		-----*		
-81	4206258	. . . SUPPORT ASSY, Oil cooler door actuator, LH (18355)	1	
	4206258-1	. . . SUPPORT ASSY, Oil cooler door actuator, RH (18355)	1	
		(ATTACHING PARTS)		
	MS20365-1032	. . . NUT	1	
	AN960-10L	. . . WASHER	1	
-82	1029421-10-14	. . . SCREW, Flat head, 100° recessed (18355)	1	
	MS20365-1032	. . . NUT	3	
	AN960-10	. . . WASHER	3	
-83	1029421-10-16	. . . SCREW (18355)	3	
		-----*		
	4206259	. . . SHAFT ASSY, Oil cooler door actuating mechanism, LH (18355)	1	
	4206259	. . . SHAFT ASSY, Oil cooler door actuating mechanism, RH (18355)	1	
		(ATTACHING PARTS)		
	MS20365-428	. . . NUT	4	
	AN960-416	. . . WASHER	4	
-84	1029421-416-12	. . . SCREW, Flat head 100° recessed (18355)	4	
	MS20365-1032	. . . NUT	2	
	AN960-10	. . . WASHER	2	
-85	1029421-10-14	. . . SCREW, Flat head 100° recessed (18355)	2	
		-----*		
	MS20365-1032	. . . NUT	1	
	AN960-10	. . . WASHER	1	
-86	AN3-13A	. . . BOLT	1	
-87	4206219	. . . ARM, Oil cooler door actuating (18355)	1	
-88	NAS51-100	. . . RING	2	
-89	2278539	. . . SHAFT, Oil cooler door actuating (18355)	1	
	4206220	. . . HOUSING ASSY, Oil cooler door bearing (18355)	1	
-90	AN201K16A	. . . BEARING	2	
-91	4206220-2	. . . HOUSING (18355)	1	
-92	12212-11	. . . THERMOSTAT ASSY, Floating control (70210)	1	
		(for details see T. O. 8S6-4-2-53)		
		(ATTACHING PARTS)		
-93	AN3-7A	. . . BOLT	4	
		-----*		
-94	3206656	. . . BRACKET ASSY, Oil temperature regulator support (18355)	1	
		(ATTACHING PARTS)		
	MS20365-1032	. . . NUT	4	
-95	AN3-11A	. . . BOLT	2	
-96	AN3-7A	. . . BOLT	2	
		-----*		
-97	26-8126-1	. . . ADAPTER, Oil shutoff valve outlet	1	
		(ATTACHING PARTS)		
-98	MS20073-6	. . . BOLT	4	
	AN960-1416	. . . WASHER	4	
		-----*		
-99	2277848	. . . GASKET, Oil shutoff valve (18355)	1	
-100	MS20073-7	. . . BOLT	4	
	AN960-1416	. . . WASHER	4	
-101	26-8126-1	. . . ADAPTER, Oil shutoff valve outlet	1	
-102	2277848	. . . GASKET, Oil shutoff valve (18355)	1	
-103	WE450-2D	. . . VALVE ASSY, Slide shutoff (79318)	1	
-104	1E777BL1	. . . PUMP ASSY, Propeller feathering (77200) (for details see	1	
		T. O. 3HA5-3-64)		
		(ATTACHING PARTS)		
	MS20365-428A	. . . NUT	4	
	AN960-416	. . . WASHER	4	
-105	AN4-6A	. . . BOLT	4	
		-----*		
-106	4206423	. . . BRACKET ASSY, Propeller feathering pump support (18355)	1	
		(ATTACHING PARTS)		
	MS20365-1032A	. . . NUT	4	
	AN960D10	. . . WASHER	4	
-107	AN3-5A	. . . BOLT	4	
		-----*		

FIG. AND INDEX NO.	PART NUMBER	DESCRIPTION	UNITS PER ASSY	USABLE ON CODE
13-108	4192848	. RETAINER, Oil tank filler well, upper (18355)	1	
-109	5192534	. WELL ASSY, Oil tank filler (18355) (ATTACHING PARTS)	1	
-110	AN500A10-10	. SCREW	10	
	AN960D10	. WASHER -----*-----	10	
-111	4192849	. RETAINER, Oil tank filler well, lower (18355)	1	
	5191171	. TANK ASSY, Nacelle oil (18355) (ATTACHING PARTS)	1	
-112	AN3-6A	. BOLT	12	
	AN960D10	. WASHER	12	
-113	AN3-6A	. BOLT	12	
	AN960D10L	. WASHER -----*-----	12	
-114	2151703 STICK ASSY, Oil gage measuring	1	
-115	1080930-08B.156-003 WASHER (18355)	1	
-116	3125455 TUBE ASSY, Oil gage (18355)	1	
-117	AN900-14 GASKET	1	
-118	5125648 FITTING, Oil tank inlet (18355) (ATTACHING PARTS)	1	
-119	AN500A416-10 SCREW	19	
	AN960-416L WASHER -----*-----	19	
-120	4123738 GASKET, Oil tank inlet (18355)	1	
	MS20365-1032 NUT	26	
	AN960D10 WASHER	26	
-121	AN3-5A BOLT	26	
-122	2206877 CAP ASSY, Oil tank filler (18355) (ATTACHING PARTS)	1	
	AN500A10-6 SCREW -----*-----	8	
-123	2126587 GASKET, Oil tank filler neck (18355)	1	
-124	5191170-4 SHELL ASSY, Nacelle oil tank upper (18355)	1	
-125	5194692 CONTAINER ASSY, Nacelle oil (18355)	1	
-126	5125649 HOPPER ASSY, Oil tank (18355)	1	
	2275686 VALVE ASSY, Oil tank sump drain (18355)	1	
-127	K1700B2 VALVE ASSY, Oil tank sump drain (75361) (for details see . . . T.O. 6R9-4-1-34)	1	
-128	5123922 FITTING, Oil tank outlet (18355) (ATTACHING PARTS)	1	
-129	AN500A416-12 SCREW	12	
	AN960-416L WASHER -----*-----	12	
-130	4123695 GASKET, Oil tank outlet (18355)	1	
-131	5191170-2 SHELL ASSY, Nacelle oil tank (18355)	1	

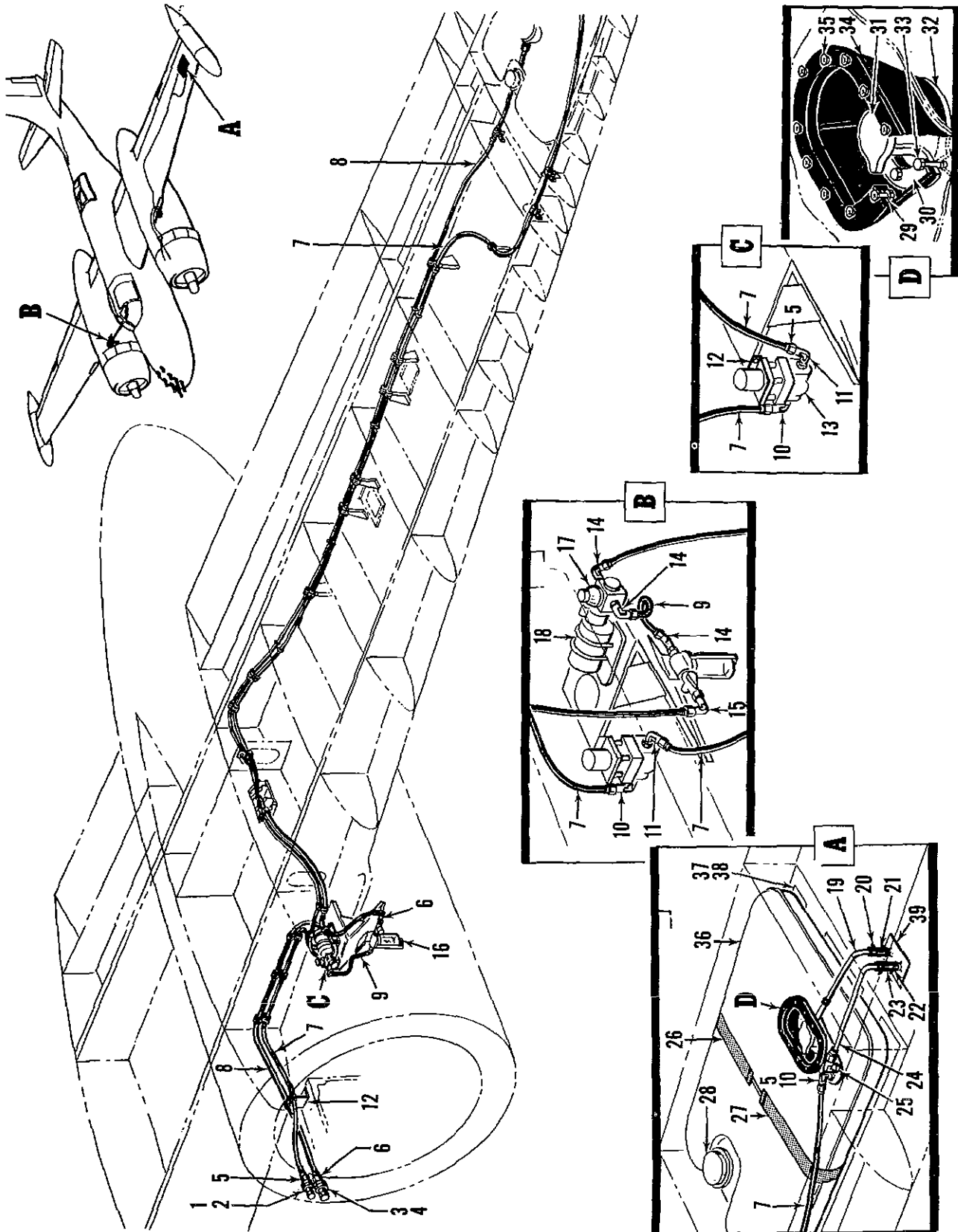


Figure 14. Water Injection System Installation

FIG. AND INDEX NO.	PART NUMBER	DESCRIPTION	UNITS PER ASSY	USABLE ON CODE
14-	26-1516-1L	WATER INJECTION SYSTEM INSTL (LH) see fig. 3)	REF	
	26-1516-1R	WATER INJECTION SYSTEM INSTL (RH) see fig. 3)	REF	
-1	AN924-6D	. NUT.	1	
-2	AN832-6D	. UNION	1	
-3	AN924-8D	. NUT.	1	
-4	AN832-8D	. UNION	1	
-5	AN773-6D	. FITTING.	4	
-6	AN773-8D	. FITTING.	6	
-7	26-1516-7	. HOSE (Low pressure)	AR	
-8	26-1516-8	. HOSE (Low pressure)	AR	
-9	26-1516-6	. HOSE (Low pressure)	AR	
-10	MS20822-6D	. ELBOW	2	
-11	MS20822-6D	. ELBOW (LH only).	1	
	MS20823-6D	. ELBOW (RH only).	1	
-12	26-1516-16	. BRACKET. (ATTACHING PARTS)	1	
	AN365-1032	. NUT.	2	
	AN960-10	. WASHER.	2	
	AN3-4	. BOLT.	2	
		-----*		
-13	40R100	. VALVE (73760)	1	
-14	MS20822-8D	. ELBOW	3	
-15	MS20822-8D	. ELBOW (LH only).	1	
	MS20823-8D	. ELBOW (RH only).	1	
-16	K2250B3-1-1	. STRAINER, ADI fluid (75361) (ATTACHING PARTS)	1	
	AN365-428	. NUT.	2	
	AN960-416	. WASHER.	2	
	AN4-16A	. BOLT.	2	
		-----*		
	2205A	. . . ELEMENT, Filter (75361)	1	
	2212A	. . . GASKET, Strainer (75361)	2	
	2251A	. . . DISC, Bot. strainer (75361)	1	
	2255AC	. . . BOWL, Strainer (75361)	1	
	24932	. . . YOKE, Strainer (75361)	1	
	24941	. . . STIFFNER, Strainer (75361)	1	
-17	2P322CAI	. PUMP (Alt 2PR400BRDE-1) (77200) (for details see T.O. 6R5-2-37-3)	1	
-18	IS13898	. MOTOR (77511) (Alt 522-1R (Emerson Electric Co., St. Louis, Mo.)) (for details see T.O. 8D1-21-19-223) (ATTACHING PARTS)	1	
	MS20365-524	. NUT.	4	
	AN960D516	. WASHER.	4	
	AN5-10A	. BOLT.	4	
		-----*		
-19	26-1516-22	. TUBE.	1	
-20	AN737TW29	. CLAMP	3	
-21	26-1516-23	. HOSE	1	
-22	AN737TW34-38	. CLAMP	2	
-23	26-1516-24	. HOSE	1	
-24	26-1516-21	. TUBE ASSY.	1	
	AN818-10D	. . . NUT.	1	
	MS20819-10D	. . . SLEEVE	1	
-25	MS20822-10D	. ELBOW	1	
-26	NAS29-6FR16-50	. STRAP	1	
-27	NAS29-6FL16-50	. STRAP	1	
-28	26-5605-1	. TRANSMITTER (T.O. pending). (ATTACHING PARTS)	1	
	AN502-10	. SCREW.	5	
	AN960-10	. WASHER.	5	
		-----*		
	26-5605-3	. . . BARREL (Altered from type 8TJ17AAA (24446))	1	
	26-5605-5	. . . HEAD (Altered from type 8TJ17AAB (24446))	1	
-29	26-1572-1	. RING RETAINER, ADI scupper top	1	

Section II
Group Assembly Parts List

T.O. 1B-26K-4

FIG. AND INDEX NO.	PART NUMBER	DESCRIPTION	UNITS PER ASSY	USABLE ON CODE
14-30	26-1571-1	. RING RETAINER, Lower ADI scupper	1	
	26-1516-2L	. TANK ASSY, Anti-detonant injection system, LH	1	
	26-1516-2R	. TANK ASSY, Anti-detonant injection system, RH	1	
-31	42A3589	. . CAP.	1	
-32	39B4233	. . NECK	1	
		(ATTACHING PARTS)		
-33	110242-3-4	. . BOLT, Machine (18355).	6	
		-----*		
-34	4209081	. . WELL ASSY, Tank LH (18355)	1	
	4209081-1	. . WELL ASSY, Tank RH (18355)	1	
		(ATTACHING PARTS)		
	MS20365-1032	. . NUT.	10	
-35	1087510-10-12	. . SCREW.	10	
		-----*		
-36	26-1516-10L	. . TANK, Anti-detonant, injection system, LH (Altered from 5208273, (18355))	1	
	26-1516-10R	. . TANK, Anti-detonant, injection system, RH (Altered from 5208273-1 (18355))	1	
-37	26-1570-1	. PLATE, ADI tank, wing	1	
-38	26-1516-25	. PAD (Felt)	4	
-39	26-1516-11	. VENT ASSY.	1	

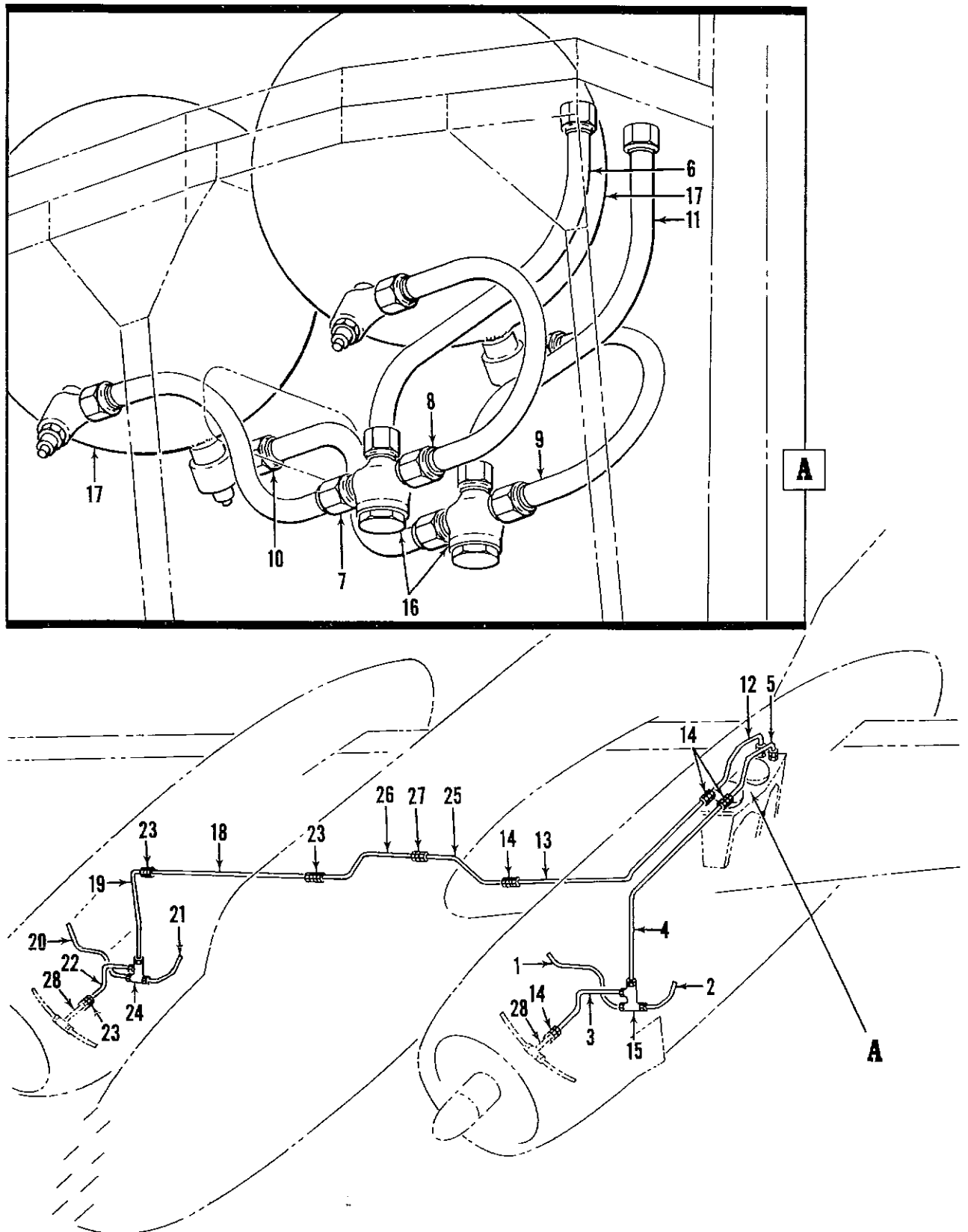


Figure 15. Overall Fire Extinguishing Installation

Section II
Group Assembly Parts List

T.O. 1B-26K-4

FIG. AND INDEX NO.	PART NUMBER	DESCRIPTION	UNITS PER ASSY	USABLE ON CODE
15-	26-9760-1	FIRE EXTINGUISHING INSTL, Overall (for NHA see fig. 2)	REF	
	26-8114-101	. FIRE EXTINGUISHING SYSTEM INSTL, LH	1	
-1	26-8114-16	. . TUBE ASSY, Fire extinguishing	1	
-2	26-8114-17	. . TUBE ASSY, Fire extinguishing	1	
-3	26-8114-5	. . TUBE ASSY, Fire extinguishing	1	
-4	26-8114-6	. . TUBE ASSY, Fire extinguishing	1	
-5	26-8114-7	. . TUBE ASSY, Fire extinguishing	1	
-6	26-8114-19	. . TUBE ASSY, Fire extinguishing	1	
-7	26-8114-11	. . TUBE ASSY, Fire extinguishing	1	
-8	26-8114-8	. . TUBE ASSY, Fire extinguishing	1	
-9	26-8114-9	. . TUBE ASSY, Fire extinguishing	1	
-10	26-8114-10	. . TUBE ASSY, Fire extinguishing	1	
-11	26-8114-20	. . TUBE ASSY, Fire extinguishing	1	
-12	26-8114-12	. . TUBE ASSY, Fire extinguishing	1	
-13	26-8114-13	. . TUBE ASSY, Fire extinguishing	1	
	MS20819-16	. . SLEEVE	2	
	AN818-16	. . NUT	2	
-14	AN832-16	. . UNION	6	
	AN924-16	. . NUT	6	
	AN960-2116	. . WASHER	6	
-15	26-8114-2	. . FITTING, Fire extinguishing special	1	
-16	966301	. . TEE, Double check (33525)	2	
-17	19600	. . SPHERE ASSY, Fire extinguisher (05167) (T.O. pending)	2	
	26-8114-102	. FIRE EXTINGUISHING SYSTEM INSTL, RH	1	
-18	26-8114-13	. . TUBE ASSY, Fire extinguishing	1	
-19	26-8114-18	. . TUBE ASSY, Fire extinguishing	1	
-20	26-8114-16	. . TUBE ASSY, Fire extinguishing	1	
-21	26-8114-17	. . TUBE ASSY, Fire extinguishing	1	
-22	26-8114-5	. . TUBE ASSY, Fire extinguishing	1	
	MS20819-16	. . SLEEVE	2	
	AN818-16	. . NUT	2	
-23	AN832-16	. . UNION	3	
	AN924-16	. . NUT	3	
	AN960-2116	. . WASHER	3	
-24	26-8114-2	. . FITTING, Fire extinguishing special	1	
	26-9401	. FIRE EXTINGUISHING SYSTEM INSTL, Fuselage section (altered from 5209586 (18355))	1	
-25	26-9402-1	. . TUBE ASSY, Fire extinguishing	1	
-26	26-9402-2	. . TUBE ASSY, Fire extinguishing	1	
	MS20819-16	. . SLEEVE	2	
	AN818-16	. . NUT	2	
-27	AN815-16D	. . UNION	1	
-28		TUBE ASSY, Engine fire extinguishing (see T.O. 1B-26K-10)	REF	

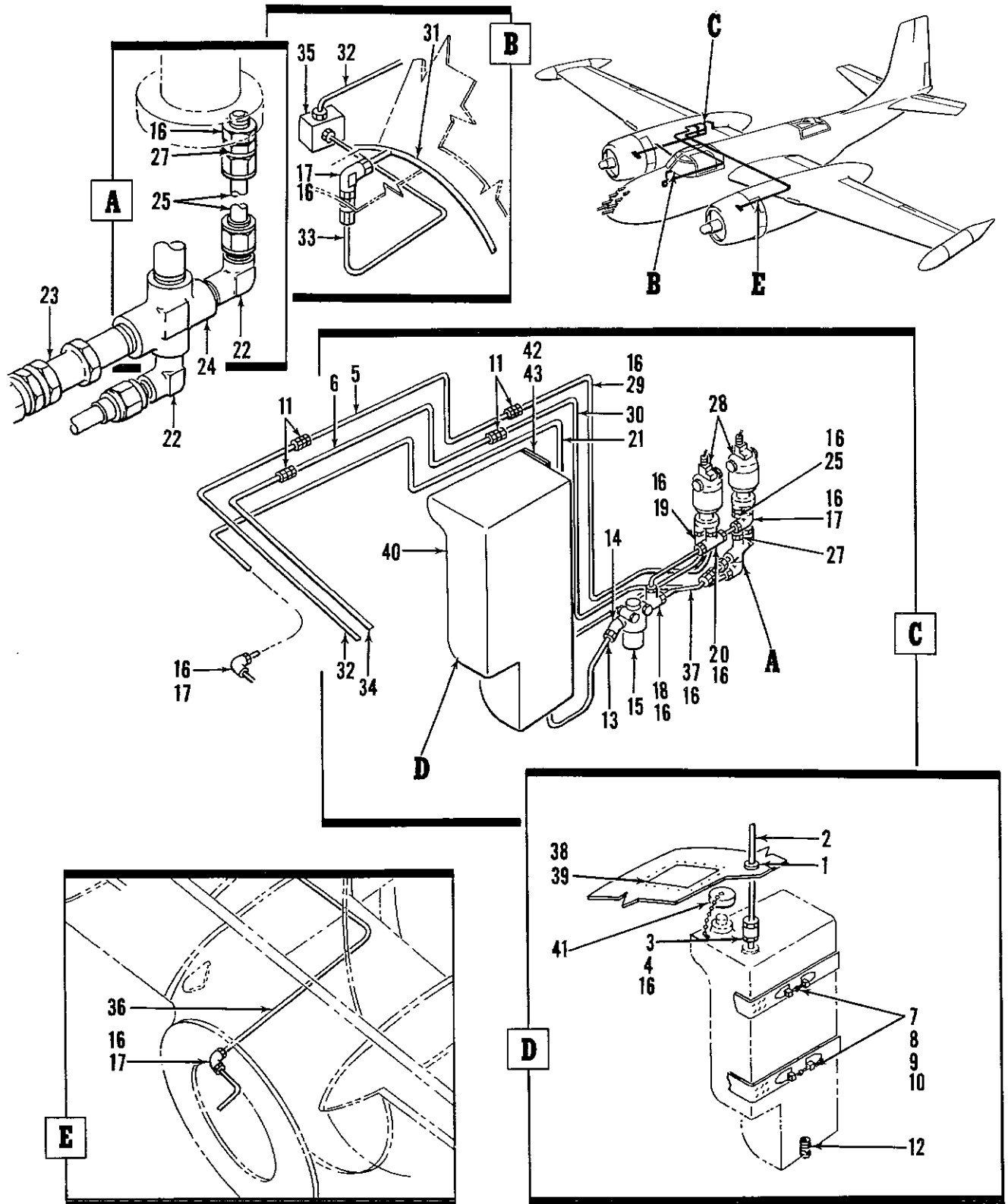


Figure 16. B-26K Anti-icing System Installation

Section II
Group Assembly Parts List

T.O. 1B-26K-4

FIG. AND INDEX NO.	PART NUMBER	DESCRIPTION 1 2 3 4 5 6 7	UNITS PER ASSY	USABLE ON CODE
16-	26-9251-1	ANTI-ICING SYSTEM INSTL, B-26K (for NHA see fig. 2)	REF	
-1	MS35489-4-7	. GROMMET	1	
-2	26-9251-26	. VENT ASSY, Metal	1	
	AN818-4D	. NUT	2	
	MS20819-4D	. SLEEVE	2	
-3	W1425-4D	. VALVE, Check (79318)	1	
-4	AN832-4D	. UNION	1	
-5	26-9251-19	. TUBE ASSY, Metal	1	
-6	26-9251-21	. TUBE ASSY, Metal	1	
	AN818-4D	. NUT	2	
	MS20819-4D	. SLEEVE	2	
-7	NAS27-4-28	. TURNBUCKLE	2	
-8	NAS25-4KL	. TRUNNION LH	2	
-9	NAS25-4KR	. TRUNNION RH	2	
-10	NAS24-4K	. TERMINAL	4	
-11	AN815-4D	. UNION	4	
-12	AN816-4D	. NIPPLE	3	
-13	26-9251-13	. TUBE ASSY, Metal	1	
	AN818-4D	. NUT	2	
	MS20819-4D	. SLEEVE	2	
-14	AN837-40	. ELBOW	1	
-15	450-O	. FILTER, Fluid pressure (55168) (for details see T. O. 6R2-8-3)	1	
-16	AN924-4D	. NUT	10	
-17	AN833-4D	. ELBOW	4	
-18	AN804-4D	. TEE	1	
-19	ANG207-4	. VALVE, 1500 psi, hydraulic check	2	
-20	AN834-4D	. TEE	1	
-21	26-9251-15	. TUBE ASSY, Metal	1	
	AN818-4D	. NUT	2	
	MS20819-4D	. SLEEVE	2	
-22	AN822-4D	. ELBOW Flared tube and bulkhead universal, 90°	2	
-23	8182-2	. VALVE, Check (00502) (for details see T. O. 15E2-6-13-3)	1	
-24	AN918-1D	. CROSS	1	
-25	26-9251-9	. TUBE ASSY, Metal	2	
-26	26-9251-10	. TUBE ASSY, Metal	1	
	AN818-4D	. NUT	2	
	MS20819-4D	. SLEEVE	2	
-27	AN832-4D	. UNION	3	
-28	101B	. PUMP ASSY, Anti-icing (64560) (for details see T. O. 3HA5-2-1C)	2	
-29	26-9251-17	. TUBE ASSY, Metal	1	
-30	26-9251-16	. TUBE ASSY, Metal	1	
	AN818-4D	. NUT	2	
	MS20819-4D	. SLEEVE	2	
-31	26-9251-29	. DISTRIBUTER ASSY, Anti-icing	1	
	AN818-4D	. NUT	1	
	MS20819-4D	. SLEEVE	1	
-32	26-9251-22	. TUBE ASSY, Metal	AR	
	AN818-4D	. NUT	AR	
	MS20819-4D	. SLEEVE	AR	
	AN815-4D	. UNION, Flared tube	AR	
	AN833-4D	. ELBOW	AR	
	AN924-4D	. NUT	AR	
-33	26-9251-25	. TUBE ASSY, Metal	1	
	AN818-4D	. NUT	2	
	MS20819-4D	. SLEEVE	2	
-34	26-9251-23	. TUBE ASSY, Metal	AR	
	AN818-4D	. NUT	AR	
	MS20819-4D	. SLEEVE	AR	
	AN815-4D	. UNION, Flared tube	AR	
	AN833-4D	. ELBOW	AR	
	AN924-4D	. NUT	AR	
-35	B12306	. VALVE, Needle (76197)	1	
-36	26-9251-11	. TUBE ASSY, Metal	1	
-37	26-9251-12	. TUBE ASSY, Metal	1	
	AN818-4D	. NUT	2	
	MS20819-4D	. SLEEVE	2	

FIG. AND INDEX NO.	PART NUMBER	DESCRIPTION	UNITS PER ASSY	USABLE ON CODE
16-38	H5000-040-050	. LATCH (83014)	2	
-39	26-9251-8	. DOOR, Anti-icing tank filler	1	
-40	26-9223-1	. TANK ASSY, Alcohol (welded)	1	
-41	42A3589	. . CAP, Alcohol tank (89484)	1	
-42	26-9266-3	. FILLER, Alcohol tank	1	
-43	26-9266-5	. PAD, Alcohol tank filler	1	

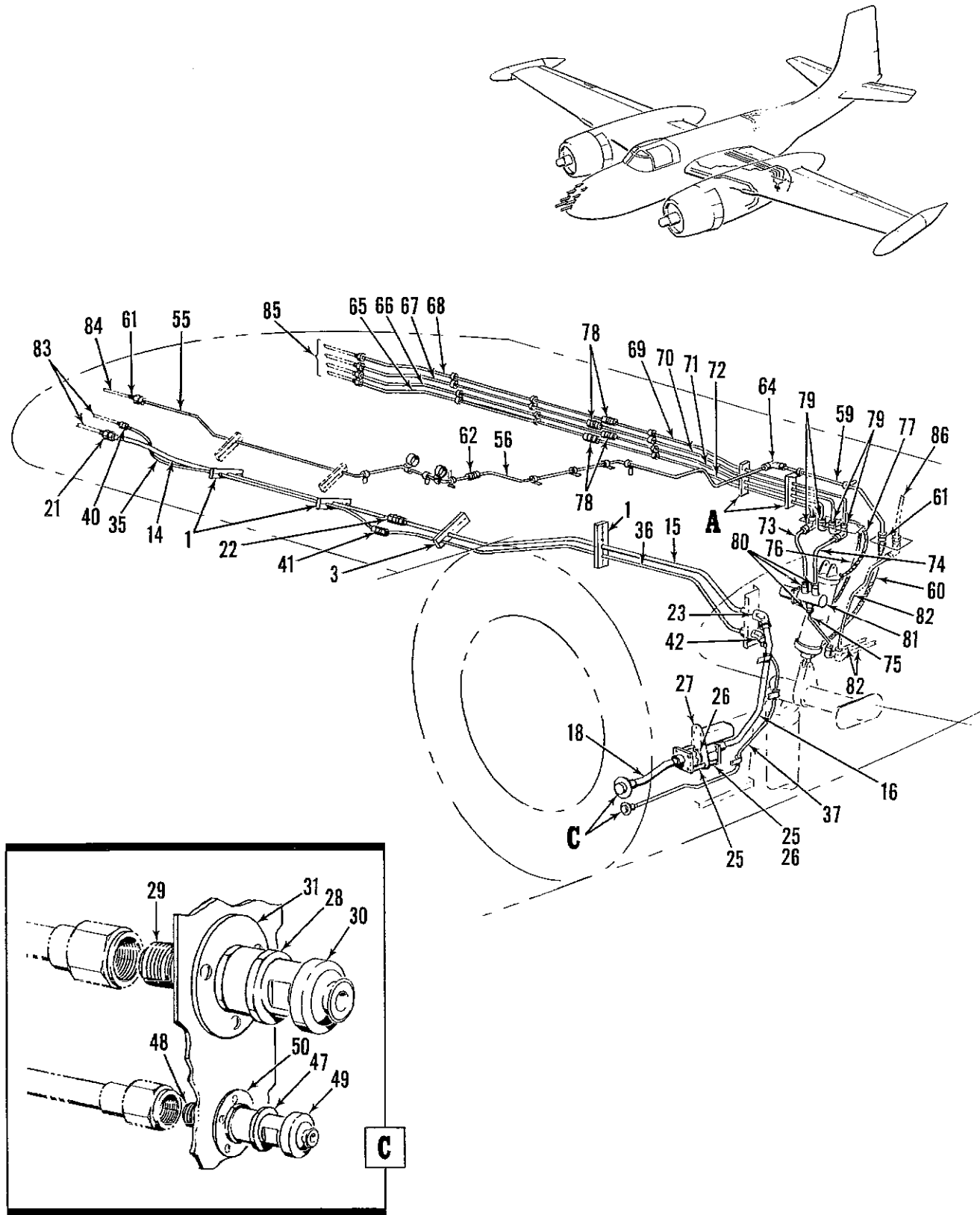


Figure 17. LH and RH Wing Hydraulic Installation (Sheet 1 of 2)

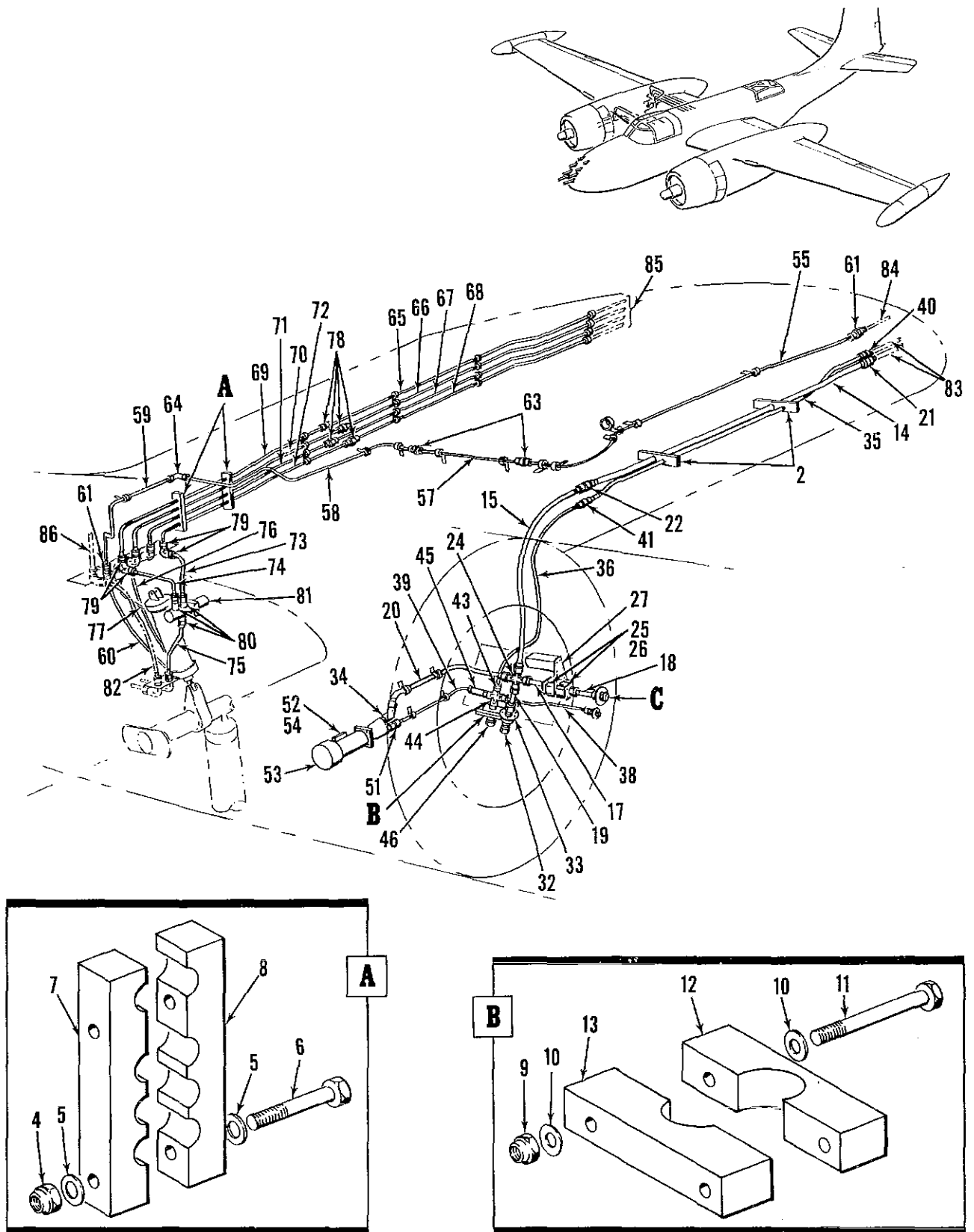


Figure 17. LH and RH Wing Hydraulic Installation (Sheet 2 of 2)

Section II
Group Assembly Parts List

T.O. 1B-26K-4

FIG. AND INDEX NO.	PART NUMBER	DESCRIPTION	UNITS PER ASSY	USABLE ON CODE
17-	26-7210-1	HYDRAULIC INSTL, Wing LH (for NHA see fig. 3)	REF	
	26-7210-2	HYDRAULIC INSTL, Wing RH (for NHA see fig. 3)	REF	
-1	2151774	CLAMP ASSY (18355) (LH only)	3	
-2	2151774	CLAMP ASSY (18355) (RH only)	2	
	AN520-10-36	SCREW	15	
	2033900-6S049-012	SPACER (18355)	10	
	AN960-10	WASHER	15	
		-----*		
-3	2151775	CLAMP ASSY (18355) (LH only)	1	
		(ATTACHING PARTS)		
	AN526-10-36	SCREW	3	
	2033900-6S049-012	SPACER (18355)	2	
	AN960-10	WASHER	3	
		-----*		
	26-7249-1	BLOCK ASSY, Hyd inst wing stations 88 and 96	2	
-4	MS20365-1032	NUT	2	
-5	AN960-10	WASHER	4	
-6	AN3-15A	BOLT	2	
-7	26-7249-3	BLOCK	1	
-8	26-7249-5	BLOCK	1	
	26-7248-1	CLAMP ASSY, Nacelle tubing support (LH only)	1	
-9	MS20365-1032	NUT	2	
-10	AN960-10	WASHER	4	
-11	AN3-17A	BOLT	2	
-12	26-7248-3	BLOCK	1	
-13	26-7248-5	BLOCK	1	
-14	26-7211-119	TUBE ASSY (LH only)	1	
	26-7211-120	TUBE ASSY (RH only)	1	
-15	26-7211-154	TUBE ASSY (LH only)	1	
	26-7211-155	TUBE ASSY (RH only)	1	
-16	26-7211-147	TUBE ASSY (LH only)	1	
-17	26-7211-161	TUBE ASSY (RH only)	1	
-18	26-7211-151	TUBE ASSY (LH only)	1	
	26-7211-157	TUBE ASSY (RH only)	1	
-19	26-7211-163	TUBE ASSY (RH only)	1	
-20	26-7211-165	TUBE ASSY (RH only)	1	
	AN818-16D	NUT	2	
	MS20819-16D	SLEEVE	2	
-21	AN828-16D	UNION	1	
	AN831-16D	NUT	1	
	AN960-1616	WASHER	1	
-22	AN815-16D	UNION	1	
-23	AN837-16D	ELBOW (LH only)	1	
	AN924-16D	NUT (LH only)	1	
-24	AN827-16D	CROSS (RH only)	1	
-25	MS20760D16	CONNECTOR	2	
		(ATTACHING PARTS)		
	AN502-416-10	SCREW	8	
	AN960-416	WASHER	8	
		-----*		
-26	AN6227B22	PACKING	2	
-27	WE4775-1-1/4D	VALVE ASSY (79318) (for details see T.O. 6J15-17-6-13)	1	
-28	AN6224-16	NUT	1	
-29	AN6220-16	COUPLING HALF	1	
-30	AN6221-16	COUPLING HALF	1	
-31	AN6223-16	FLANGE	1	
		(ATTACHING PARTS)		
	MS20365-1032	NUT	6	
	AN960-10	WASHER	6	
	AN526-10-7	SCREW	6	
		-----*		
-32	145-57-16D	CAP (GFE) (RH only)	1	
-33	A145-57-16D	FITTING, Quick disconnect (GFE) (RH only)	1	

FIG. AND INDEX NO.	PART NUMBER	DESCRIPTION	UNITS PER ASSY	USABLE ON CODE
17-34	AN823-16D	. ELBOW (RH only)	1	
-35	26-7211-121	. TUBE ASSY (LH only)	1	
	26-7211-122	. TUBE ASSY (RH only)	1	
-36	26-7211-152	. TUBE ASSY (LH only)	1	
	26-7211-153	. TUBE ASSY (RH only)	1	
-37	26-7211-149	. TUBE ASSY (LH only)	1	
-38	26-7211-159	. TUBE ASSY (RH only)	1	
-39	26-7211-167	. TUBE ASSY (RH only)	1	
	AN818-8D	. NUT	2	
	MS20819-8D	. SLEEVE	2	
-40	AN828-8D	. UNION	1	
	AN924-8D	. NUT	1	
	AN960-816	. WASHER	1	
-41	AN815-8D	. UNION	1	
-42	AN837-8D	. ELBOW (LH only)	1	
	AN924-8D	. NUT (LH only)	1	
-43	AN815-8D	. UNION (RH only)	1	
	MS28778-8	. PACKING (RH only)	1	
-44	AN918-8D	. CROSS (RH only)	1	
-45	AN6207-8D	. VALVE (RH only)	3	
	MS28778-8	. PACKING (RH only)	3	
-46	AN820-8D	. PLUG (RH only)	1	
-47	AN6224-8	. NUT	1	
-48	AN6220-8	. COUPLING HALF	1	
-49	AN6221-8	. COUPLING HALF	1	
-50	AN6223-8	. FLANGE	1	
		(ATTACHING PARTS)		
	MS20365-1032	. NUT	3	
	AN960-10	. WASHER	3	
	AN526-10-7	. SCREW	3	
		-----*		
-51	AN823-8D	. ELBOW (RH only)	1	
	26-7100-1	. PUMP INSTL, Auxiliary hydraulic RH nacelle	NP	
-52	AN5H-6	. BOLT	4	
	AN960D516	. WASHER	4	
-53	1E620B1	. PUMP AND MOTOR ASSY (77200) (for details see T.O. 9H4-3-9-4)	1	
-54	26-7100-3	. DOUBLER	1	
-55	26-7211-196	. TUBE ASSY, (Emerg hyd) (LH only)	1	
	26-7211-195	. TUBE ASSY, (Emerg hyd) (RH only)	1	
-56	26-7211-197	. TUBE ASSY, (Emerg hyd) (LH only)	1	
-57	26-7211-194	. TUBE ASSY, (Emerg hyd) (RH only)	1	
-58	26-7211-193	. TUBE ASSY, (Emerg hyd) (RH only)	1	
-59	26-7211-198	. TUBE ASSY, (Emerg hyd) (LH only)	1	
	26-7211-192	. TUBE ASSY, (Emerg hyd) (RH only)	1	
	AN818-4D	. NUT	2	
	MS20819-4D	. SLEEVE	2	
-60	AN6260-4D27	. HOSE ASSY	1	
-61	AN832-4D	. UNION	2	
	AN924-4D	. NUT	2	
-62	AN815-4D	. UNION (LH only)	1	
-63	AN815-4D	. UNION (RH only)	2	
-64	AN833-4D	. ELBOW	1	
	AN924-4D	. NUT	2	
-65	26-7211-129	. TUBE ASSY (LH only)	1	
	26-7211-138	. TUBE ASSY (RH only)	1	
-66	26-7211-127	. TUBE ASSY (LH only)	1	
	26-7211-136	. TUBE ASSY (RH only)	1	
-67	26-7211-125	. TUBE ASSY (LH only)	1	
	26-7211-134	. TUBE ASSY (RH only)	1	
-68	26-7211-123	. TUBE ASSY (LH only)	1	
	26-7211-132	. TUBE ASSY (RH only)	1	
-69	26-7211-137	. TUBE ASSY (LH only)	1	
	26-7211-124	. TUBE ASSY (RH only)	1	
-70	26-7211-135	. TUBE ASSY (LH only)	1	
	26-7211-126	. TUBE ASSY (RH only)	1	
-71	26-7211-133	. TUBE ASSY (LH only)	1	
	26-7211-128	. TUBE ASSY (RH only)	1	
-72	26-7211-131	. TUBE ASSY (LH only)	1	
	26-7211-130	. TUBE ASSY (RH only)	1	

Section II
Group Assembly Parts List

T.O. 1B-26K-4

FIG. AND INDEX NO.	PART NUMBER	DESCRIPTION							UNITS PER ASSY	USABLE ON CODE	
		1	2	3	4	5	6	7			
17-73	26-7211-139	.								1	
	26-7211-140	.								1	
-74	26-7211-141	.								1	
	26-7211-142	.								1	
-75	26-7211-143	.								1	
	26-7211-144	.								1	
	AN818-8D	.								2	
	MS20819-8D	.								2	
-76	AN6260-8D30	.								1	
-77	AN6260-8D27	.								1	
-78	AN815-8D	.								4	
-79	AN833-8D	.								4	
	AN924-8D	.								4	
-80	AN815-8D	.								3	
	MS28778-8	.								3	
-81	38-037	.								1	
		.									
	AN3-22A	.								2	
	AN960-10	.								2	
		.									
		.									
		.									
-82		.									
	26-7212-1	.									REF
	26-7212-2	.									NP
-83		.									REF
-84		.									REF
-85		.									REF
-86		.									REF

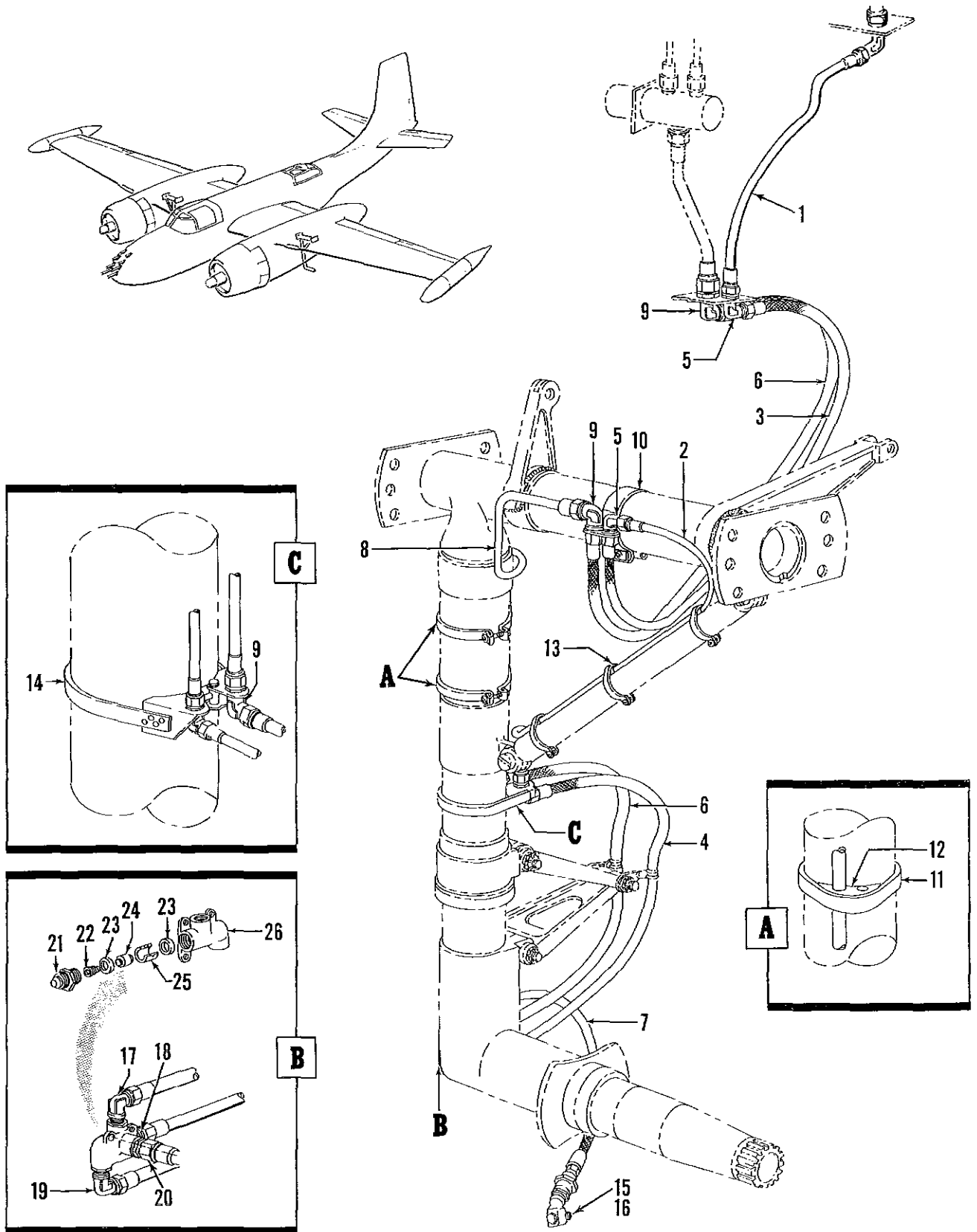


Figure 18. Main Landing Gear Air and Hydraulic Bracketing Installations

Section II
Group Assembly Parts List

T.O. 1B-26K-4

FIG. AND INDEX NO.	PART NUMBER	DESCRIPTION	UNITS PER ASSY	USABLE ON CODE
18-		MAIN LANDING GEAR AIR AND HYDRAULIC BRAKE TUBING INSTALLATIONS		
	26-7212-27	. TUBING INSTL, MLG air brake LH (for NHA see fig. 29)	REF	
	26-7212-28	. TUBING INSTL, MLG air brake RH (for NHA see fig. 29)	REF	
-1	26-7211-145	. . TUBE ASSY (LH only)	1	
	26-7211-146	. . TUBE ASSY (RH only)	1	
-2	4152530-3	. . LINE ASSY (18355) (LH only)	1	
	4152529-3	. . LINE ASSY (18355) (RH only)	1	
	AN818-4D	. . . NUT	2	
	AN819-4D	. . . SLEEVE	2	
-3	26-7212-9	. . HOSE ASSY	1	
-4	26-7212-7	. . HOSE ASSY (LH only)	1	
	26-7212-21	. . HOSE ASSY (RH only)	1	
-5	AN833-4D	. . ELBOW	4	
	AN924-4D	. . . NUT	4	
	AN960-716	. . . WASHER	4	
	26-7212-1	. TUBING INSTL, MLG hyd brake LH (for NHA see fig. 17)	REF	
	26-7212-2	. TUBING INSTL, MLG hyd brake RH (for NHA see fig. 17)	REF	
-6	26-7212-5	. . HOSE ASSY	2	
-7	26-7212-19	. . HOSE ASSY (Anti-skid) (LH only)	1	
	26-7212-3	. . HOSE ASSY (Anti-skid) (RH only)	1	
-8	4152530-2	. . LINE ASSY (18355) (LH only)	1	
	4152529-2	. . LINE ASSY (18355) (RH only)	1	
	AN818-8D	. . . NUT	2	
	AN819-8D	. . . SLEEVE	2	
-9	AN833-8D	. . ELBOW	3	
	AN924-8D	. . . NUT	3	
	AN960-1216	. . . WASHER	3	
	AN901-8	. . GASKET	3	
-10	4152603	. . CLAMP ASSY (18355)	1	
		(ATTACHING PARTS)		
	MS20365-428	. . . NUT	1	
	AN960-416	. . . WASHER	1	
	AN520-416-26	. . . SCREW	1	
		----*----		
-11	2062611-1804-016-032D6	. . STRAP ASSY, Line supporting (18355)	2	
		(ATTACHING PARTS)		
	MS20365-1032	. . . NUT	2	
	AN960-10	. . . WASHER	2	
	AN520-10-24	. . . SCREW	2	
		----*----		
-12	1152317-016	. . GROMMET (18355)	2	
-13	2062611-0716-016-032D6	. . STRAP ASSY, Line supporting (18355)	3	
		(ATTACHING PARTS)		
	MS20365-1032	. . . NUT	3	
	AN960D10	. . . WASHER	3	
	AN520-10-24	. . . SCREW	3	
		----*----		
-14	4129528	. . CONNECTOR ASSY, Brake flexible hose LH (18355)	1	
	4129528-1	. . CONNECTOR ASSY, Brake flexible hose RH (18355)	1	
-15	AN775-6	. . BOLT	1	
	AN901-6A	. . GASKET	2	
-16	AN6243-6	. . COUPLING	1	
-17	AN833-6D	. . ELBOW	1	
	AN924-6D	. . . NUT	1	
	AN902-6	. . GASKET	1	
-18	AN920-8D	. . UNION	1	
	AN902-8	. . GASKET	1	
-19	AN833-4D	. . ELBOW	1	
	AN924-4D	. . . NUT	1	
	AN902-4	. . GASKET	1	
-20	AN814-6D	. . PLUG	1	
	4127548	. . VALVE ASSY, Emergency brake shuttle (18355)	1	

FIG. AND INDEX NO.	PART NUMBER	DESCRIPTION							UNITS PER ASSY	USABLE ON CODE
		1	2	3	4	5	6	7		
18-21	2126688	.	.	.	CONNECTOR, Emergency shuttle valve (18355)	.	.	.	1	
-22	1127663	.	.	.	SPRING, Shuttle valve (18355)	.	.	.	1	
-23	H107675-016	.	.	.	SEAT, Hydropack (18355)	.	.	.	2	
-24	1127653	.	.	.	CONE, Shuttle valve (18355)	.	.	.	1	
-25	1127705	.	.	.	SPACER, Shuttle valve packing (18355)	.	.	.	1	
-26	4127429	.	.	.	BODY, Shuttle valve (18355)	.	.	.	1	

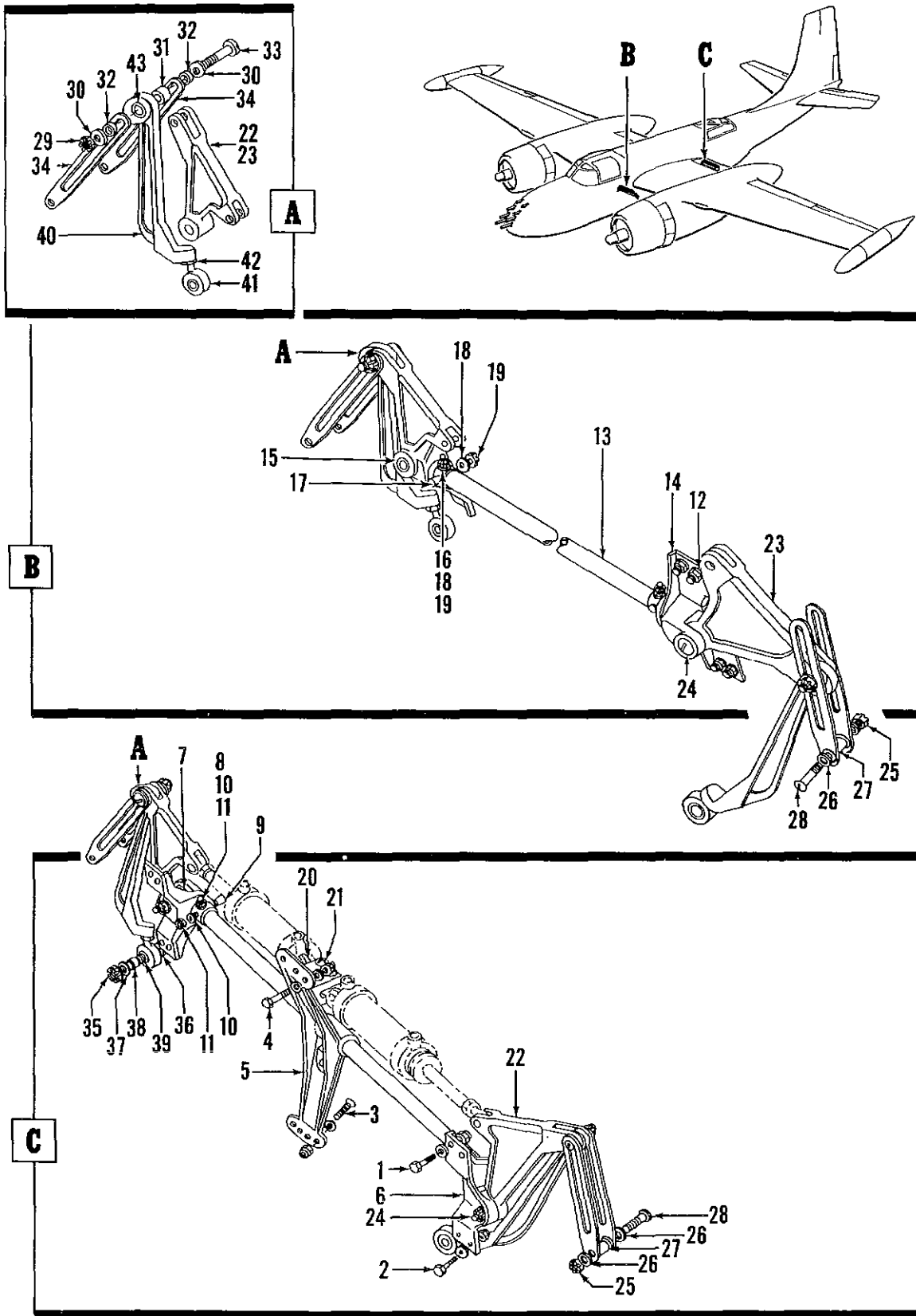


Figure 19. Bomb Bay Door Operating Mechanism Installation

FIG. AND INDEX NO.	PART NUMBER	DESCRIPTION 1 2 3 4 5 6 7	UNITS PER ASSY	USABLE ON CODE
19-	5122514	MECHANISM INSTL, Bomb bay door operating (18355) (for NHA see fig. 4)	REF	
	5150317	. BRACKET ASSY, Bomb bay door forward actuating mechanism (18355) (ATTACHING PARTS)	1	
	MS20365-524	. NUT.	4	
	AN960-516	. WASHER.	8	
-1	AN5-7A	. BOLT.	4	
	MS20365-524	. NUT.	4	
	AN960-516	. WASHER.	8	
-2	AN5-10A	. BOLT.	4	
	MS20365-524	. NUT.	4	
	AN960-516	. WASHER.	4	
-3	AN509-516R13	. SCREW.	4	
	MS20365-524	. NUT.	3	
	AN960-516	. WASHER.	6	
	143908-010D-024-091	. WASHER (18355)	3	
-4	AN5-10A	. BOLT.	3	
		-----*-----		
-5	5150317-2	. . BRACKET (18355)	1	
-6	4151174	. . BRACKET, Bomb door actuating mechanism (18355)	2	
-7	116500-11A016G	. . BUSHING (18355)	4	
-8	AN386-3-11A	. . PIN	2	
-9	AN386-3-12A	. . PIN	2	
-10	AN975-4	. . WASHER.	4	
-11	MS20365-428	. . NUT.	4	
	5150318	. BRACKET ASSY, Bomb door aft actuating mechanism (18355) (ATTACHING PARTS)	1	
	MS20365-524	. NUT.	8	
	AN960-516	. WASHER.	16	
-12	AN5-7A	. BOLT.	8	
		-----*-----		
-13	5150318-2	. . BRACKET (18355)	1	
-14	4151174	. . BRACKET, Bomb door actuating mechanism (18355)	2	
-15	116500-11A016G	. . BUSHING (18355)	4	
-16	AN386-3-11A	. . PIN	2	
-17	AN386-3-12A	. . PIN	2	
-18	AN975-4	. . WASHER.	4	
-19	MS20365-428	. . NUT.	4	
-20	2150849	. LINK, Bomb door actuating mechanism universal (18355) (ATTACHING PARTS)	2	
	AN320-7	. NUT.	2	
	AN960-716	. WASHER.	2	
-21	AN27-30	. BOLT.	2	
		-----*-----		
-22	4151129	. LINK, Bomb door forward actuating mechanism (18355)	2	
-23	4151128	. LINK, Bomb door aft actuating mechanism (18355). (ATTACHING PARTS)	2	
	AN320-8	. NUT.	4	
	AN960-816	. WASHER.	4	
	1026614G8-017	. SPACER, OD bearing (18355).	8	
-24	AN28-42	. BOLT.	4	
		-----*-----		
-25	AN320-4	. NUT.	4	
-26	AN960-416	. WASHER.	16	
-27	1026614G4-106	. SPACER, OD bearing (18355).	4	
-28	AN24-29	. BOLT.	4	
-29	AN320-5	. NUT.	4	
-30	124682-5S12-062	. WASHER (18355)	8	
-31	1026614G5-024	. SPACER, OD bearing (18355).	4	
-32	1026614G5-005	. SPACER, OD bearing (18355).	8	
-33	AN25-30	. BOLT.	4	
-34	2150824	. LINK, Bomb door actuating mechanism stop (18355).	8	
	4151107	. LINK ASSY, Bomb door actuating mechanism (18355). (ATTACHING PARTS)	4	
-35	AN320-6	. NUT.	4	
-36	AN960-816	. WASHER.	16	

Section II
Group Assembly Parts List

T.O. 1B-26K-4

FIG. AND INDEX NO.	PART NUMBER	DESCRIPTION							UNITS PER ASSY	USABLE ON CODE	
		1	2	3	4	5	6	7			
19-37	AN960-616	.	W	A	S	H	E	R	4		
-38	1026614G6-029	.	S	P	A	C	E	R, OD bearing (18355)	4		
-39	AN26-28	.	B	O	L	T	.	.	4		
		.	-----*-----								
-40	4151107-2	.	.	L	I	N	K (18355)	.	1		
-41	2150812	.	.	E	Y	E	B	O	L	T	
	116500-8A020G	.	.	.	B	U	S	H	I	N	
	AN316-7R	.	.	.	B	U	S	H	I	N	
-42	AN316-7R	.	.	N	U	T	.	.	1		
-43	116500-7A024G	.	.	B	U	S	H	I	N	G, Aluminum bronzed groove (18355)	

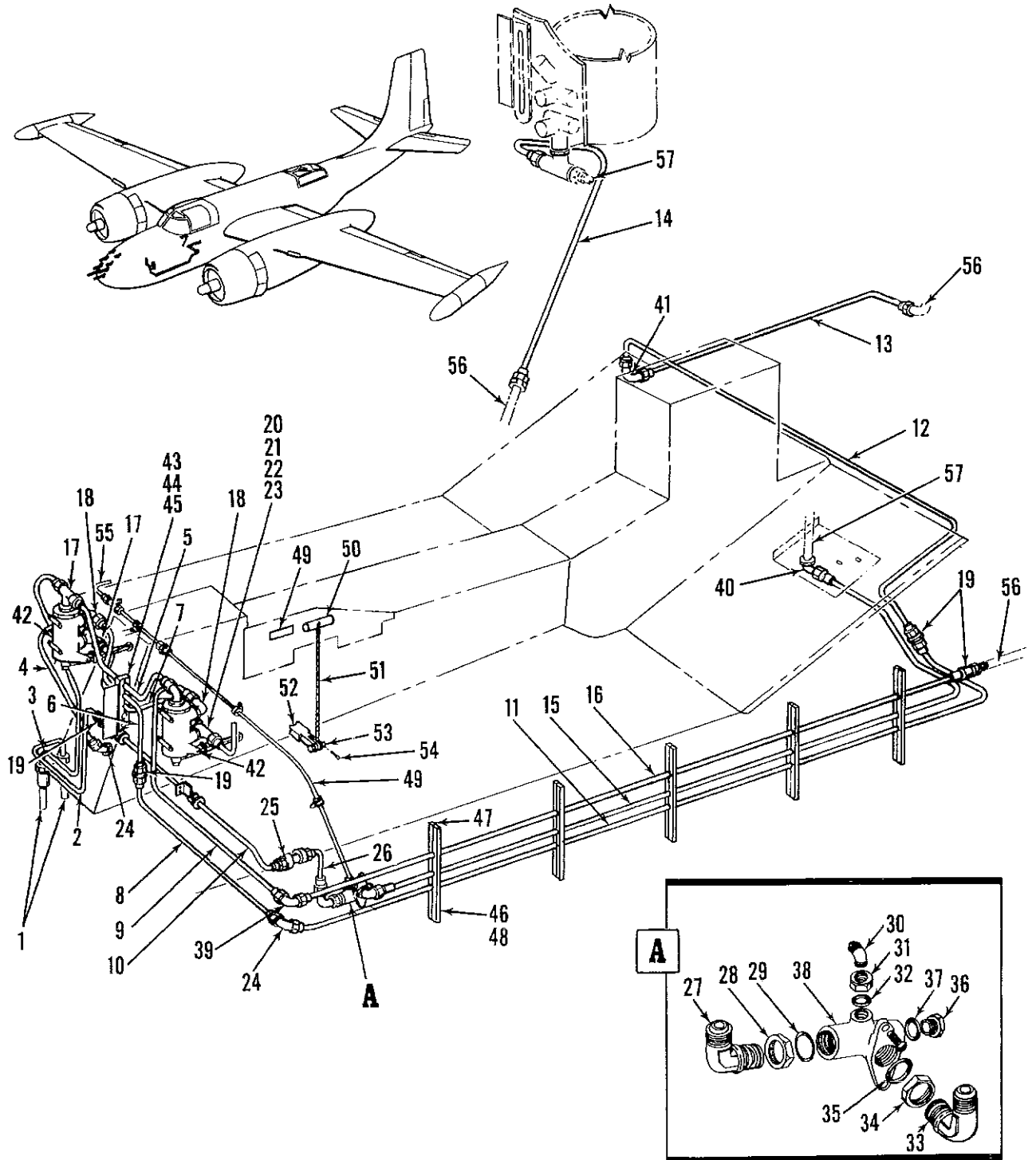


Figure 20. Fuselage Forward Section Hydraulic Installation

Section II
Group Assembly Parts List

T.O. 1B-26K-4

FIG. AND INDEX NO.	PART NUMBER	DESCRIPTION	UNITS PER ASSY	USABLE ON CODE
20-	26-7203-1	HYDRAULIC INSTL, Fuselage forward section (altered from 5122195 (18355))(for NHA fig. 4)	REF	
-1	26-7205-1	. HYDRAULIC INSTL, Nose wheel (for details see fig. 21)	NP	
-2	26-7211-48	. TUBE ASSY	1	
-3	26-7211-46	. TUBE ASSY	1	
-4	26-7211-47	. TUBE ASSY	1	
-5	26-7211-44	. TUBE ASSY	1	
-6	26-7211-52	. TUBE ASSY	1	
-7	26-7211-45	. TUBE ASSY	1	
-8	26-7211-42	. TUBE ASSY	1	
-9	26-7211-43	. TUBE ASSY	1	
-10	26-7211-41	. TUBE ASSY	1	
-11	26-7211-51	. TUBE ASSY	1	
-12	26-7211-49	. TUBE ASSY	1	
-13	26-7211-50	. TUBE ASSY	1	
-14	26-7211-40	. TUBE ASSY	1	
	AN818-8D NUT	2	
	MS20819-8D SLEEVE	2	
-15	5158906-9	. TUBE ASSY (18355)	1	
-16	5158906-8	. TUBE ASSY (18355)	1	
-17	AN923-8D	. TEE	2	
	AN924-8D	. NUT	2	
	MS28778-8	. PACKING	2	
-18	AN833-8D	. ELBOW	3	
	AN924-8D	. NUT	3	
	MS28778-8	. PACKING	3	
-19	AN815-8D	. UNION	4	
-20	AN938-8D	. TEE	1	
-21	AN632-8D	. UNION	1	
-22	AN815-8D	. UNION	1	
-23	AN919-8D	. REDUCER	1	
	AN924-8D	. NUT	1	
	MS28778-8	. PACKING	4	
-24	AN837-8D	. ELBOW	2	
	AN924-8D	. NUT	2	
-25	AN6207-8	. VALVE Check, 1500 PSI	1	
-26	5158906-6	. TUBE ASSY (18355)	1	
-27	AN833-8D	. ELBOW	1	
-28	AN924-8D	. NUT	1	
-29	MS28778-8	. PACKING	1	
	2151768	. CONNECTOR ASSY, Hydraulic pressure tube (18355) (ATTACHING PARTS)	1	
	MS20365-1032	. NUT	2	
	AN960D10	. WASHER	2	
	AN520-10-10	. SCREW	2	
		-----*		
-30	AN837-4D ELBOW	1	
-31	AN924-4D NUT	1	
-32	MS28778-4 PACKING	1	
-33	AN833-8D ELBOW	1	
-34	AN924-8D NUT	1	
-35	MS28778-8 PACKING	1	
-36	AN814-6D PLUG AND BLEEDER	1	
-37	MS28778-6 PACKING	1	
-38	2151677 CONNECTOR Hydraulic pressure tube (18355)	1	
-39	AN829-8D ELBOW	1	
	AN831-8D NUT	1	
-40	AN833-8D ELBOW	1	
	AN924-8D NUT	1	
-41	AN821-8D ELBOW	1	
-42	409770-8-1	. VALVE, Brake (88917) (ATTACHING PARTS)	2	
	MS20365-428 NUT	8	
	AN960D416 WASHER	8	
	AN4-7A BOLT	8	
		-----*		

FIG. AND INDEX NO.	PART NUMBER	DESCRIPTION	UNITS PER ASSY	USABLE ON CODE
20-43	2155294	. CLAMP ASSY (18355) (ATTACHING PARTS)	1	
	MS20365-1032	. NUT	4	
	AN960D10	. WASHER	4	
-44	AN520-10-8	. SCREW	2	
-45	AN520-10-26	. SCREW	2	
	26-9522-1	. BLOCK ASSY Hydraulic tubing	5	
-46	MS20365-1032	. . NUT	2	
	AN960-10	. . WASHER	4	
	AN3-15A	. . BOLT	2	
-47	26-9522-3	. . BLOCK	1	
-48	26-9522-5	. . BLOCK	1	
-49	12040	. DECAL (18355)	1	
-50	2206044	. HANDLE (18355)	1	
-51	2206042	. CABLE ASSY (18355)	1	
-52	2205750	. ARM, Release (18355)	1	
-53	MS20393-13	. PIN	1	
-54	MS24665-2-2	. PIN	1	
-55	26-7207-1	. WINDSHIELD WIPER INSTL, (For details see fig. 22)	NP	
-56		. HYDRAULIC INSTL, Fuselage aft section (see fig. 24)	REF	
-57		. HYDRAULIC EQUIPMENT INSTL, Fuselage (see fig. 23)	REF	

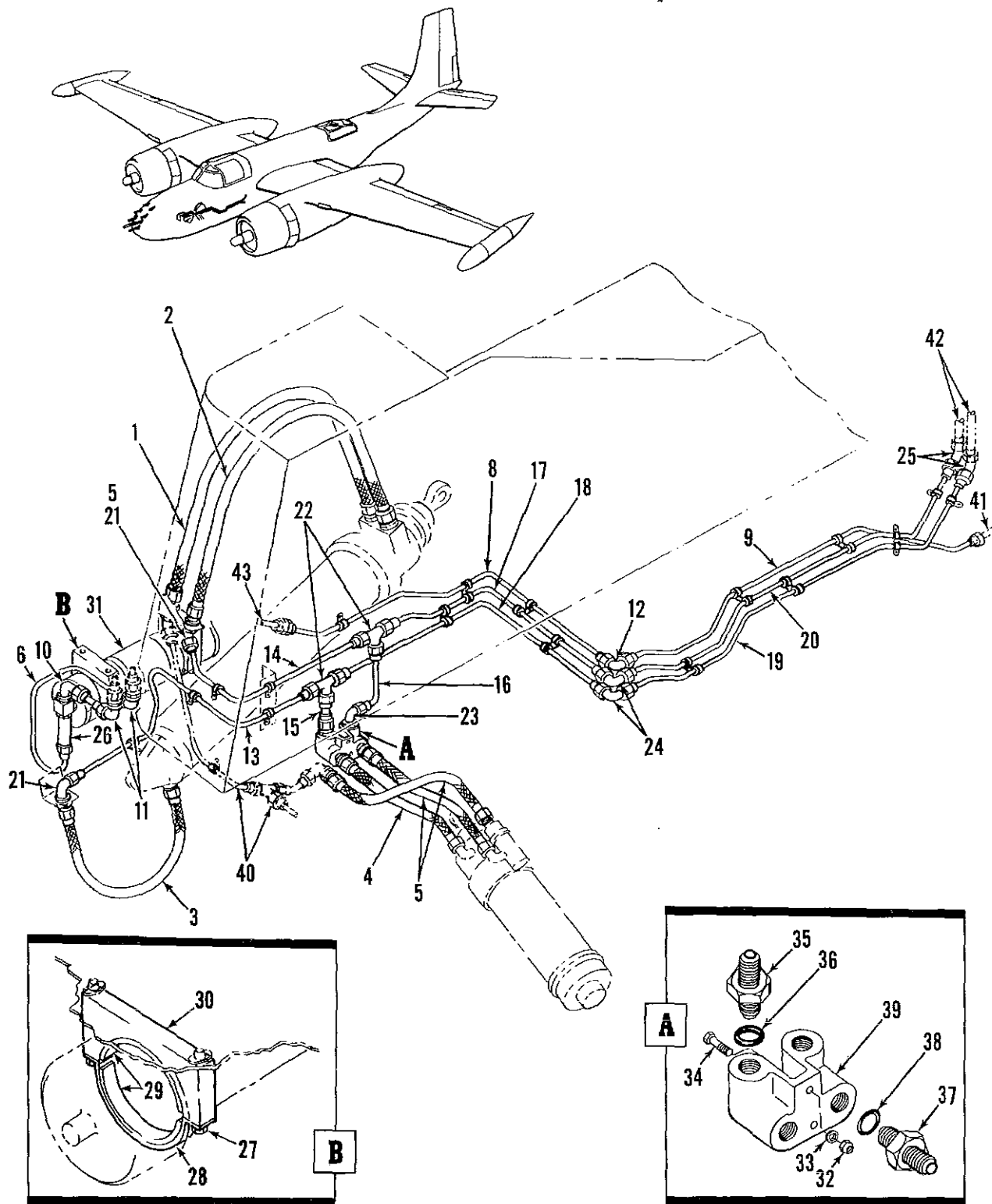


Figure 21. Nose Wheel Hydraulic Installation

FIG. AND INDEX NO.	PART NUMBER	DESCRIPTION 1 2 3 4 5 6 7	UNITS PER ASSY	USABLE ON CODE
21-	26-7205-1	HYDRAULIC INSTL, Nose wheel (altered from 515278 (18355)) (see fig. 20 for NHA)	REF	
-1	AN6260-4-11-5-8	. HOSE ASSY	1	
-2	AN6260-6-11-5-8	. HOSE ASSY	1	
-3	AN6260-6-16	. HOSE ASSY	1	
-4	AN6260-4-14	. HOSE ASSY	1	
-5	AN6260-4-16	. HOSE ASSY	2	
-6	26-7211-106	. TUBE ASSY	1	
-7	26-7211-107	. TUBE ASSY	1	
-8	26-7211-78	. TUBE ASSY	1	
-9	26-7211-77	. TUBE ASSY	1	
	AN818-8D	. . NUT	2	
	MS20819-8D	. . SLEEVE	2	
-10	AN833-8D	. ELBOW	1	
	AN924-8D	. NUT	1	
	MS28778-8	. PACKING	1	
-11	AN833-8D	. ELBOW	2	
	AN924-8D	. NUT	2	
-12	AN821-8D	. ELBOW	1	
-13	26-7211-104	. TUBE ASSY	1	
-14	26-7211-105	. TUBE ASSY	1	
-15	26-7211-82	. TUBE ASSY	1	
-16	26-7211-81	. TUBE ASSY	1	
-17	26-7211-80	. TUBE ASSY	1	
-18	26-7211-79	. TUBE ASSY	1	
-19	26-7211-678	. TUBE ASSY	1	
-20	26-7211-679	. TUBE ASSY	1	
	AN818-6D	. . NUT	2	
	MS20819-6D	. . SLEEVE	2	
-21	AN833-6D	. ELBOW	2	
	AN924-6D	. NUT	2	
-22	AN824-6D	. TEE	2	
-23	AN833-6D	. ELBOW	1	
	AN924-6D	. NUT	1	
	MS28778-6	. PACKING	1	
-24	AN821-6D	. ELBOW	2	
-25	AN837-6D	. ELBOW	2	
-26	AN919-12D	. UNION	1	
	MS28778-8	. PACKING	1	
-27	AN4-24A	. BOLT	4	
-28	26-7121-7	. CLAMP	2	
-29	26-7121-11	. GASKET	4	
-30	26-7121-9	. SUPPORT	2	
-31	MS28700-4 2151758	. ACCUMULATOR, Cylindrical (alt 1356-542903 (45681)) CONNECTOR ASSY (18355) (ATTACHING PARTS)	1 1	
-32	MS20365-1032	. NUT	2	
-33	AN960D10	. WASHER	2	
-34	AN3-5A	. BOLT -----*-----	2	
-35	AN815-6D	. . UNION	2	
-36	MS28778-6	. . PACKING	2	
-37	AN815-4D	. . UNION	2	
-38	MS28778-4	. . PACKING	2	
-39	2151743	. . CONNECTOR (18355)	1	
-40		. HYDRAULIC SYSTEM INSTL, Fuselage section emergency (see fig. 26)	REF	
-41		. HYDRAULIC INSTL, Fuselage aft section (see fig. 24)	REF	
-42		. HYDRAULIC EQUIPMENT INSTL, Fuselage (see fig. 23)	REF	
-43		. HYDRAULIC INSTL, Fuselage fwd section (see fig. 20)	REF	

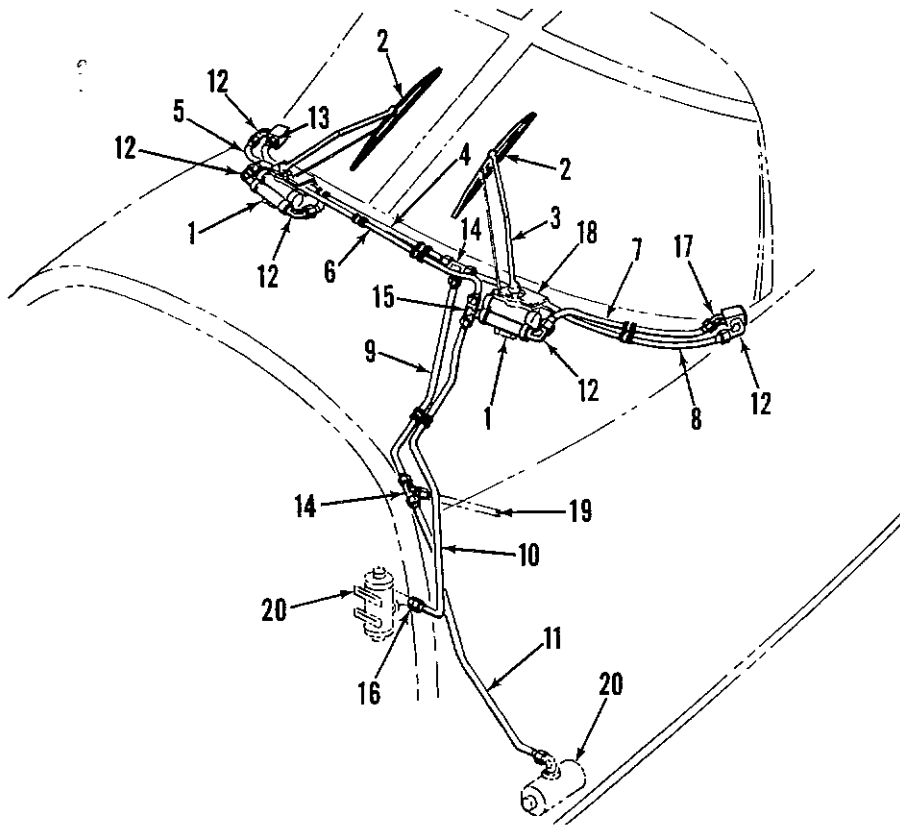


Figure 22. Windshield Wiper Installation

FIG. AND INDEX NO.	PART NUMBER	DESCRIPTION	UNITS PER ASSY	USABLE ON CODE
22-	26-7207-1	WINDSHIELD WIPER INSTL (for NHA see fig. 20)	REF	
-1	K18628	. WIPER UNIT, Windshield (76197) (T.O. pending)	1	
		. PARTIAL BREAKDOWN FOLLOWS		
-2	D16902-5	. . . BLADE ASSY (76197)	2	
-3	D16802-24	. . . LEVER ASSY, Drive arm and blade holder LH (76197)	1	
	D16802-25	. . . LEVER ASSY, Drive arm and blade holder RH (76197)	1	
-4	26-7211-117	. . . TUBE ASSY.	1	
	AN818-4D	. . . NUT.	1	
	MS20819-4D	. . . SLEEVE	1	
-5	26-7211-118	. . . TUBE ASSY.	1	
-6	26-7211-111	. . . TUBE ASSY.	1	
-7	26-7211-116	. . . TUBE ASSY.	1	
-8	26-7211-115	. . . TUBE ASSY.	1	
-9	26-7211-113	. . . TUBE ASSY.	1	
-10	26-7211-112	. . . TUBE ASSY.	1	
-11	26-7211-114	. . . TUBE ASSY.	1	
	AN818-4D	. . . NUT.	2	
	MS20819-4D	. . . SLEEVE	2	
-12	AN822-4D	. . . ELBOW	5	
	AN924-4D	. . . NUT.	5	
-13	AN817-4D	. . . NUT.	1	
	AN924-4D	. . . NUT.	1	
-14	AN824-4D	. . . TEE.	2	
	AN924-4D	. . . NUT.	2	
-15	AN825-4D	. . . TEE.	1	
	AN924-4D	. . . NUT.	1	

FIG. AND INDEX NO.	PART NUMBER	DESCRIPTION 1 2 3 4 5 6 7	UNITS PER ASSY	USABLE ON CODE
22-16	AN919-10D	. REDUCER.	1	
-17	AN823-4D	. ELBOW	1	
	AN924-4D	. NUT.	1	
-18	26-9227-1	. BRACKET, Windshield wiper hydraulic motor LH	1	
	26-9227-2	. BRACKET, Windshield wiper hydraulic motor RH	1	
		(ATTACHING PARTS)		
	MS20365-1032	. NUT.	6	
	AN960D416	. WASHER.	6	
		. BOLT.	6	
		-----*		
-19		. PILOT'S COMPARTMENT INSTRUMENT INSTL (see fig. 79)	REF	
-20		. FUSELAGE FORWARD SECTION HYDRAULIC INSTL (see fig. 20)	REF	

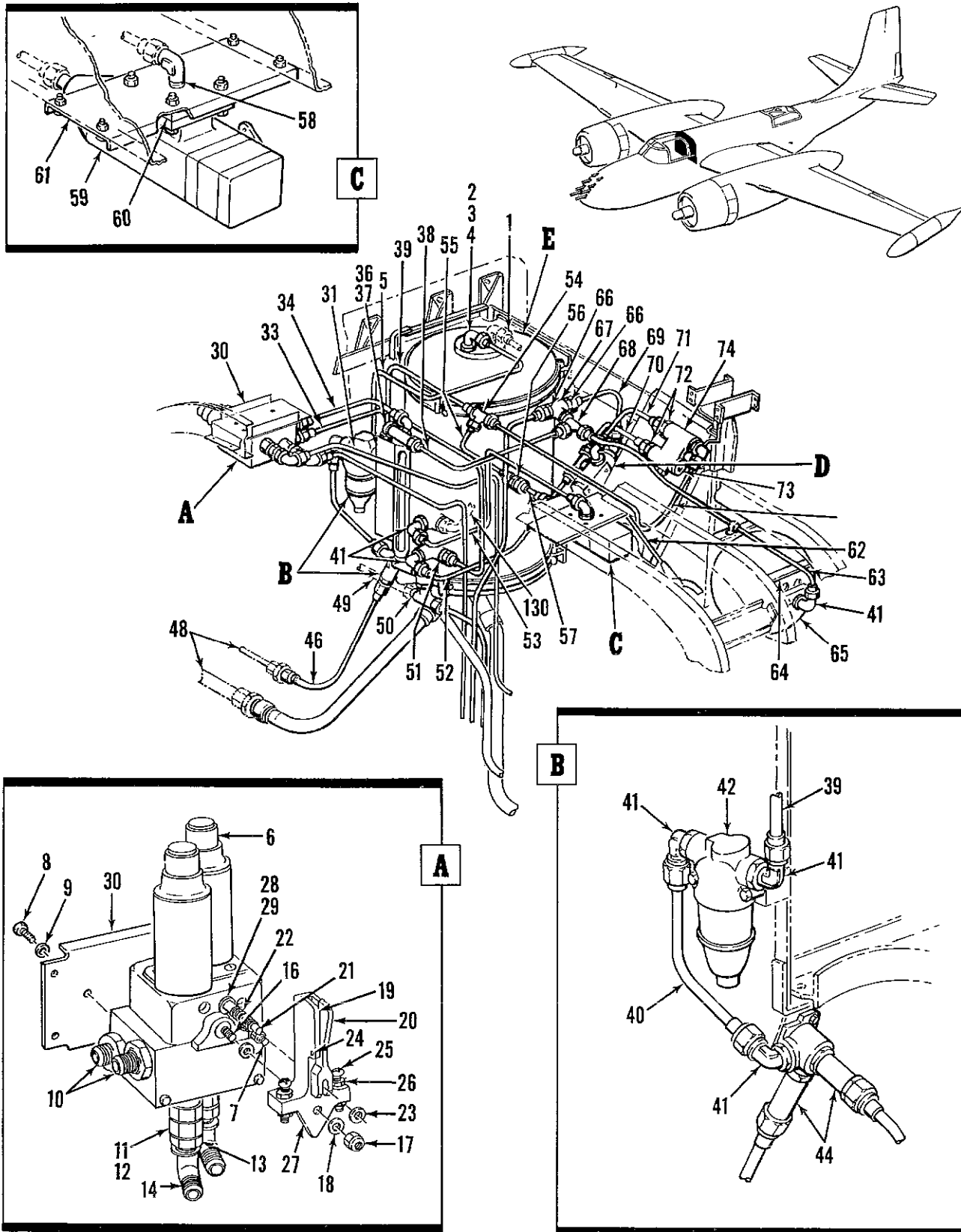


Figure 23. Fuselage Hydraulic Equipment Installation (Sheet 1 of 2)

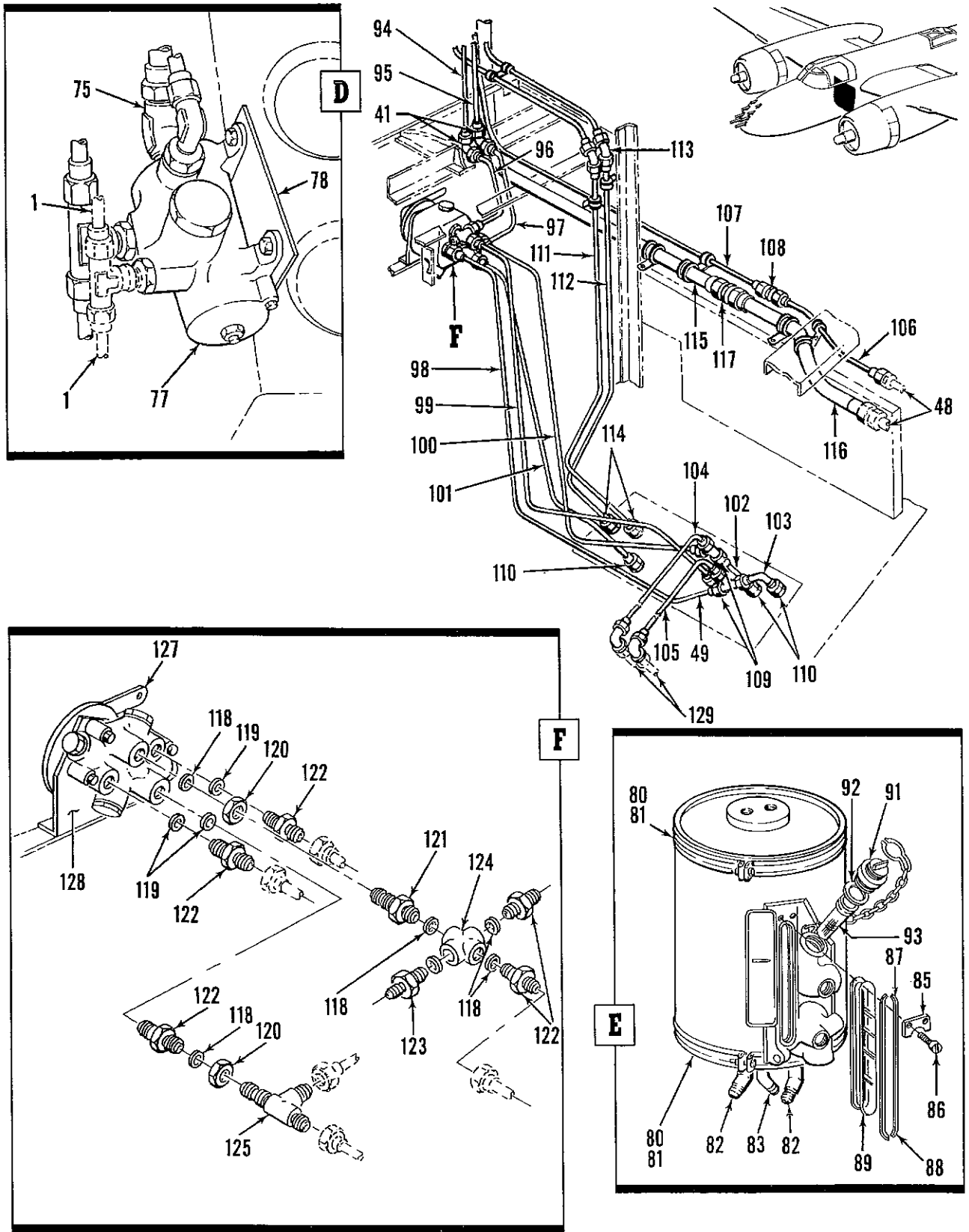


Figure 23. Fuselage Hydraulic Equipment Installation (Sheet 2 of 2)

Section II
Group Assembly Parts List

T.O. 1B-26K-4

FIG. AND INDEX NO.	PART NUMBER	DESCRIPTION	UNITS PER ASSY	USABLE ON CODE
23-	26-7201-1	HYDRAULIC EQUIPMENT INSTL. Fuselage (altered from 5201400 (18355)) (for NHA see fig. 4)	REF	
-1		. BRAKE INSTL, Emergency air (see fig. 29)	REF	
-2	AN924-4D	. NUT	1	
-3	AN833-4D	. ELBOW	1	
-4	MS28778-4	. PACKING	1	
-5	26-7211-36	. TUBE ASSY	1	
	AN818-4D	. . NUT	2	
	MS20819-4D	. . SLEEVE	2	
-6	13246	. VALVE, Solenoid operating hydraulic four-way bomb door (00502) (for details see T.O. 9H8-14-5-4) (ATTACHING PARTS)	1	
	MS20365-428	. NUT	2	
	AN960-416	. WASHER	2	
-7	AN4-24	. BOLT	2	
-8	AN74-5	. BOLT	1	
-9	AN960-416	. WASHER	1	
		-----*		
-10	AN919-12D	. REDUCER	2	
-11	AN893-12D	. BUSHING	2	
-12	MS28778-8	. PACKING	4	
-13	AN924-6D	. NUT	2	
-14	AN833-6D	. ELBOW	2	
-15	1205310	. CLUTCH, Solenoid operating hydraulic handle (18355)	1	
-16	AN565D8-7 4205305	. SETSCREW HANDLE ASSY, Solenoid operating hydraulic valve emergency (18355). (ATTACHING PARTS)	1	
-17	MS20365-428	. NUT	1	
-18	AN960D416L	. WASHER	2	
		-----*		
-19	2205306	. . HANDLE, Solenoid operating hydraulic valve emergency (18355) . .	1	
-20	2205307	. . HANDLE, Solenoid operating hydraulic valve detent release (18355)	1	
-21	1205309	. . PIN, Solenoid operating hydraulic valve detent (18355)	1	
-22	1205308	. . SPRING, Solenoid operating hydraulic valve detent (18355)	1	
-23	1205318	. . WASHER, Solenoid operating hydraulic valve handle (18355)	1	
-24	146142-125-018	. . PIN, Steel (18355)	1	
-25	AN520-10R14	. . SCREW	2	
-26	AN315-3R	. . NUT	2	
-27	MS20365-1032	. . NUT	2	
-28	1026614-4-010	. SPACER, OD bearing (18355)	1	
-29	MS20364-428	. NUT	1	
-30	26-9260-3	. BRACKET	1	
		(ATTACHING PARTS)		
	AN3-4A	. BOLT	4	
	AN960-10	. WASHER	4	
		-----*		
-31	26-7211-32	. TUBE ASSY	1	
-32	26-7211-31	. TUBE ASSY	1	
-33	26-7211-33	. TUBE ASSY	1	
-34	26-7211-34	. TUBE ASSY	1	
	AN818-6D	. . NUT	2	
	MS20819-6D	. . SLEEVE	2	
-35	AN833-6D	. ELBOW	1	
	AN924-6D	. NUT	1	
	MS28778-6	. PACKING	1	
-36	AN919-15D	. REDUCER	1	
-37	2196609	. VALVE, Relief (18355)	1	
-38	26-7211-29	. TUBE ASSY	1	
-39	26-7211-35	. TUBE ASSY	1	
-40	26-7211-30	. TUBE ASSY	1	
	AN818-6D	. . NUT (Used on 26-7211-29)	2	
	AN818-8D	. . NUT (Used on 26-7211-30 and -35)	2	
	MS20819-6D	. . SLEEVE (Used on 26-7211-29)	2	
	MS20819-8D	. . SLEEVE (Used on 26-7211-30 and -35)	2	
-41	AN833-8D	. ELBOW	13	
	AN924-8D	. NUT	13	
	MS28778-8	. PACKING	13	

FIG. AND INDEX NO.	PART NUMBER	DESCRIPTION	UNITS PER ASSY	USABLE ON CODE
23-42	AN6234-3	. FILTER, Hyd line, 3000 psi (for details see T. O. 9H3-3-2-1) (ATTACHING PARTS)	1	
	MS20365-428	. NUT	2	
	AN960-416	. WASHER	2	
	AN4-30	. BOLT	2	
		-----*		
-43	2209271	. ADAPTER, Hyd pressureline (18355)	1	
-44	AN6207-8	. VALVE, Check, 1500 psi	2	
	MS28778-8	. PACKING	2	
-45	2129157	. CONNECTOR, Three-way hydraulic tube 1/2-in. OD (18355) (ATTACHING PARTS)	1	
	MS20365-1032	. NUT	3	
	AN520-10-10	. SCREW	3	
		-----*		
-46	26-7211-26	. TUBE ASSY	1	
	AN818-8D	. NUT	2	
	MS20819-8D	. SLEEVE	2	
-47	26-7211-25	. TUBE ASSY	1	
	AN818-16D	. NUT	2	
	MS20819-16D	. SLEEVE	2	
-48		. HYDRAULIC INSTL, Wing (see fig. 17)	REF	
-49		. HYDRAULIC INSTL, Fuselage fwd section (see fig. 20)	REF	
-50	AN834-8D	. TEE	1	
	AN924-8D	. NUT	1	
	MS28778-8	. PACKING	1	
-51	AN816-6D	. NIPPLE	1	
	MS28778-6	. PACKING	1	
-52	26-7211-27	. TUBE ASSY	1	
-53	26-7211-28	. TUBE ASSY	1	
	AN818-8D	. NUT	2	
	MS20819-8D	. SLEEVE	2	
-54	AN824-8D	. TEE	1	
-55	26-7211-37	. TUBE ASSY	1	
	AN818-8D	. NUT	2	
	MS20819-8D	. SLEEVE	2	
-56	AN919-15D	. REDUCER	1	
-57	26-7211-8	. TUBE ASSY	1	
	AN818-6D	. NUT	2	
	MS20819-6D	. SLEEVE	2	
-58	AN822-8	. ELBOW	1	
	26-7120	. VALVE INSTL, Hydraulic system manual by-pass	NP	
-59	5230417	. VALVE, By-pass (18355) (ATTACHING PARTS)	1	
	MS20365-428	. NUT	4	
	AN960D416	. WASHER	4	
	AN4-12A	. BOLT	4	
		-----*		
-60	26-7120-2	. PLATE	1	
-61	26-7120-1	. CHANNEL (ATTACHING PARTS)	1	
	MS20365-1032	. NUT	4	
	NAS220-9	. SCREW	4	
		-----*		
-62	2195018	. BRACE ASSY, Canopy hydraulic equipment bracket (18355) (ATTACHING PARTS)	1	
	MS20365-1032	. NUT	2	
	AN520-10-12	. SCREW	2	
		-----*		
-63	26-7211-6	. TUBE ASSY	1	
	AN818-8D	. NUT	2	
	MS20819-8D	. SLEEVE	2	
-64	26-7112-1	. BRACKET ASSY, Accumulator mounting (ATTACHING PARTS)	2	
	MS20365-1032	. NUT	4	
	AN960-10	. WASHER	4	
	AN3-4A	. BOLT	4	
		-----*		

Section II
Group Assembly Parts List

T.O. 1B-26K-4

FIG. AND INDEX NO.	PART NUMBER	DESCRIPTION	UNITS PER ASSY	USABLE ON CODE
23-65	403714	. ACCUMULATOR ASSY, Spherical, hydraulic (00989) (for details . . . see T.O. 9H1-3-2-4)	1	
-66	AN815-8D	. UNION	2	
	MS28778-8	. PACKING	2	
-67	AN917-8D	. TEE	1	
-68	AN804-8D	. TEE	1	
	AN924-8D	. NUT	1	
	MS28778-8	. PACKING	1	
-69	26-7211-3	. TUBE ASSY	1	
-70	26-7211-38	. TUBE ASSY	1	
-71	26-7211-4	. TUBE ASSY	1	
	AN818-8D	. NUT	2	
	MS20819-8D	. SLEEVE	2	
-72	AN816-8D	. NIPPLE	2	
	MS28778-8	. PACKING	2	
-73	AN814-8D	. PLUG	1	
	MS28778-2	. PACKING	1	
	4143552	. VALVE ASSY, Complete hyd pressure relief (18355) (ATTACHING PARTS)	1	
	AN520-10-28	. SCREW	4	
	S138275-6-72	. SPACER, Aluminum alloy (18355)	4	
		-----*		
-74	AN6200-8AB	. VALVE, Hyd press relief (for details see T.O. 9H8-2-78-23)	1	
-75	AN837-8D	. ELBOW	1	
	AN924-8D	. NUT	1	
	MS28778-8	. PACKING	1	
-76	AN834-8D	. TEE	1	
	AN924-8D	. NUT	1	
	MS28778-8	. PACKING	1	
-77	AN6206-1	. REGULATOR, Hydraulic pressure, 10 gpm (ATTACHING PARTS)	1	
	AN3-4A	. BOLT	2	
	AN960-10	. WASHER	2	
		-----*		
-78	26-7116-1	. BRACKET ASSY, Hydraulic pressure regulator (ATTACHING PARTS)	1	
	MS20365-1032	. NUT	2	
	AN960-10	. WASHER	3	
	AN3-7A	. BOLT	3	
		-----*		
-79	4191131-30	. STRAP ASSY, Hydraulic reservoir (18355)	2	
-80	4191131-32	. STRAP ASSY, Hydraulic reservoir (18355)	1	
-81	4191131-34	. STRAP ASSY, Hydraulic reservoir (18355) (ATTACHING PARTS)	1	
	MS20365-1032	. NUT	7	
	AN520-10-24	. SCREW	4	
	AN520-10-30	. SCREW	2	
	AN520-10-40	. SCREW	1	
		-----*		
-82	AN837-16D	. ELBOW	2	
	AN902-16	. GASKET	2	
-83	AN837-6D	. ELBOW	1	
	AN902-6	. GASKET	1	
	5122204	. RESERVOIR ASSY, Hydraulic (18355)	1	
-84	5122204-8	. RESERVOIR ASSY, Hydraulic (18355)	1	
-85	1128897	. CAP, Hyd reservoir sight gage (18355) (ATTACHING PARTS)	1	
-86	AN503-8-12	. SCREW	2	
		-----*		
-87	1128898	. WEDGE, Hyd reservoir sight gage panel, LH (18355)	2	
-88	1128898-1	. WEDGE, Hyd reservoir sight gage panel, RH (18355)	2	
-89	2129223	. PANEL, Hyd reservoir sight gage, transparent (18355)	1	
-90	1128899	. GASKET, Hyd reservoir sight gage (18355)	1	
-91	1152279	. CAP ASSY, Hyd reservoir (18355)	1	
-92	143908-108SR116-093	. GASKET (18355)	1	
-93	2129224	. STRAINER ASSY, Hyd reservoir filter neck (18355)	1	
-94	26-7211-24	. TUBE ASSY	1	

FIG. AND INDEX NO.	PART NUMBER	DESCRIPTION	UNITS PER ASSY	USABLE ON CODE
23-95	26-7211-23	. TUBE ASSY	1	
-96	26-7211-22	. TUBE ASSY	1	
-97	26-7211-21	. TUBE ASSY	1	
-98	26-7211-20	. TUBE ASSY	1	
-99	26-7211-19	. TUBE ASSY	1	
-100	26-7211-18	. TUBE ASSY	1	
-101	26-7211-17	. TUBE ASSY	1	
-102	26-7211-16	. TUBE ASSY	1	
-103	26-7211-15	. TUBE ASSY	1	
-104	26-7211-93	. TUBE ASSY	1	
-105	26-7211-92	. TUBE ASSY	1	
-106	26-7211-13	. TUBE ASSY	1	
-107	26-7211-12	. TUBE ASSY	1	
	AN818-8D	. NUT	2	
	MS20819-8D	. SLEEVE	2	
-108	AN815-8D	. UNION	1	
-109	AN824-8D	. TEE	2	
-110	AN833-8D	. ELBOW	3	
-111	26-7211-9	. TUBE ASSY	1	
-112	26-7211-10	. TUBE ASSY	1	
	AN818-6D	. NUT	2	
	MS20819-6D	. SLEEVE	2	
-113	AN821-6D	. ELBOW	2	
-114	AN833-6D	. ELBOW	2	
-115	26-7211-11	. TUBE ASSY	1	
-116	26-7211-14	. TUBE ASSY	1	
	AN818-16D	. NUT	2	
	MS20819-16D	. SLEEVE	2	
-117	AN815-16D	. UNION	1	
-118	MS28778-8	. PACKING	6	
-119	AN902-8	. GASKET	1	
-120	AN924-8D	. NUT	2	
-121	AN832-8D	. UNION	1	
-122	AN815-8D	. UNION	5	
-123	AN919-10D	. REDUCER	1	
-124	AN937D8	. CROSS	1	
-125	AN804-8D	. TEE	1	
-126	401481	. VALVE ASSY, Landing gear selector (00989) (for details see T.O. 9H8-14-39-4)	1	
	26-7113-1	. VALVE INSTL, Landing gear selector	NP	
-127	26-7113-5	. LEVER	1	
-128	26-7113-3	. BRACKET (ATTACHING PARTS)	1	
	MS20365-1032	. NUT	3	
	AN3-5A	. BOLT ----*----	3	
-129		. NOSE WHEEL HYDRAULIC INSTL (see fig. 21)	REF	
-130		. FUSELAGE SECTION EMERGENCY HYDRAULIC SYSTEM INSTL . . . (see fig. 26)	REF	

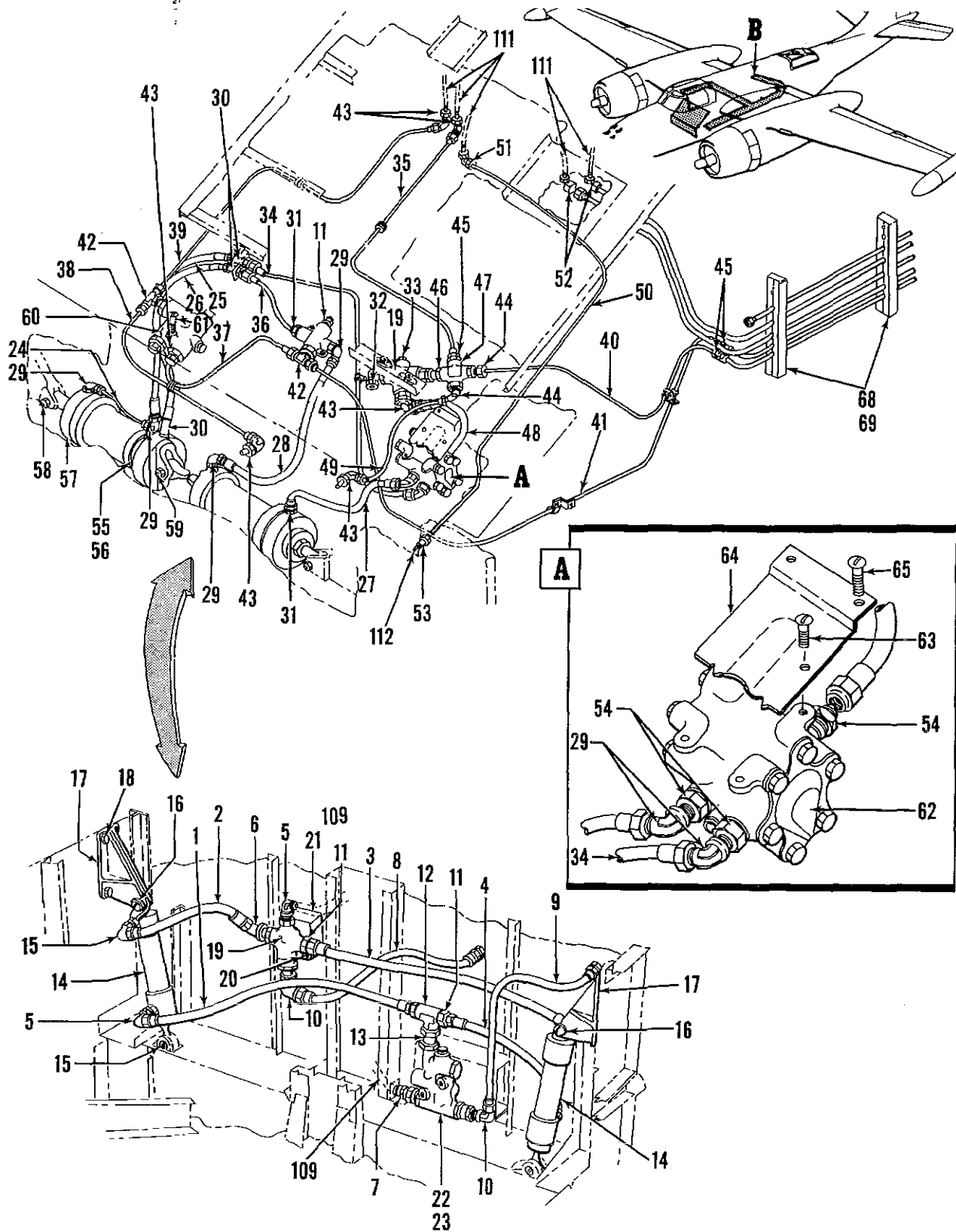


Figure 24. Fuselage Aft Section Hydraulic Installation (Sheet 1 of 2)

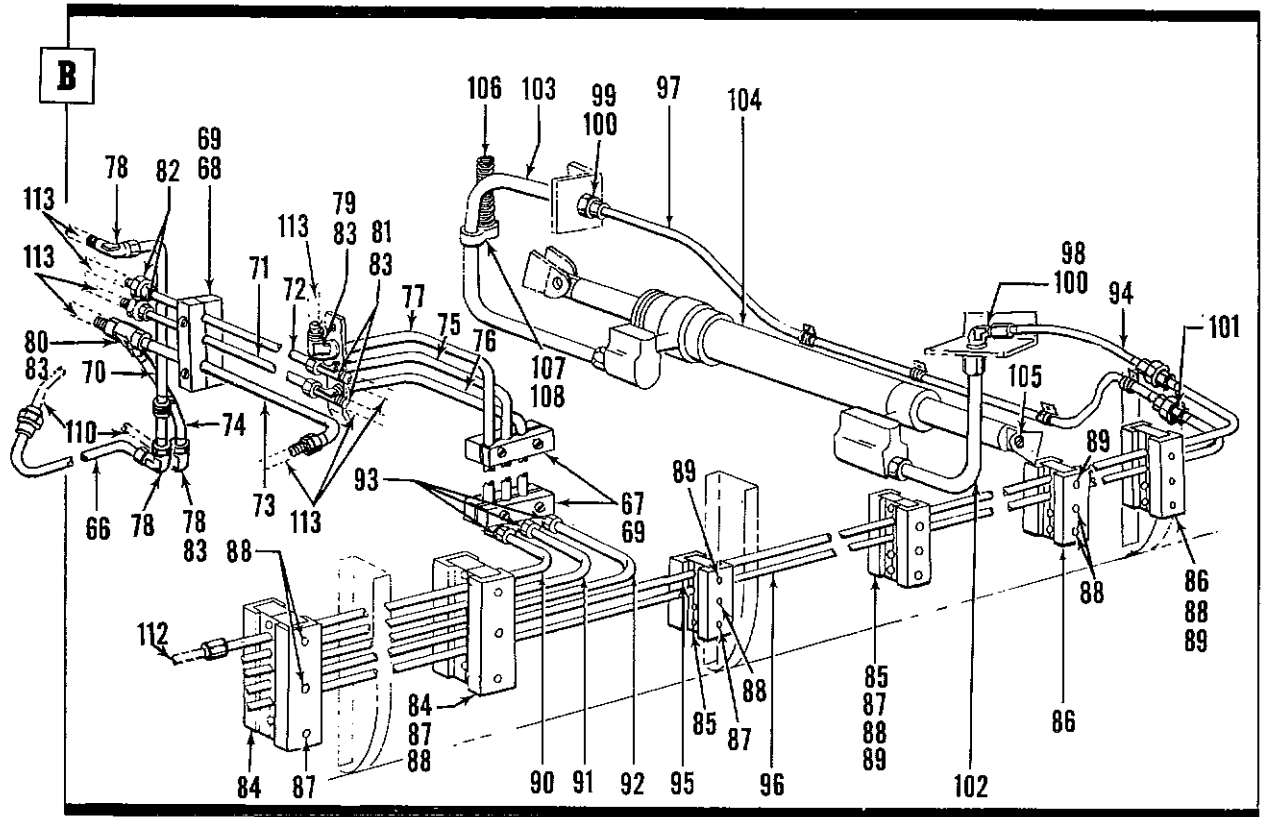


Figure 24. Fuselage Aft Section Hydraulic Installation (Sheet 2 of 2)

FIG. AND INDEX NO.	PART NUMBER	DESCRIPTION	UNITS PER ASSY							USABLE ON CODE
			1	2	3	4	5	6	7	
24-	26-7202-1	HYDRAULIC INSTL, Fuselage aft section (altered from 5209678 (18355)) (for NHA see fig. 4)								REF
-1	AN6260-4-17-1-2	. HOSE ASSY								1
-2	AN6260-4-8-1-2	. HOSE ASSY								1
-3	AN6260-4-15-1-2	. HOSE ASSY								1
-4	AN6260-4-8	. HOSE ASSY								1
-5	AN833-4D	. ELBOW								3
-6	AN837-4D	. ELBOW								1
-7	AN832-4D	. UNION								1
	AN924-4D	. NUT								6
	AN902-4	. GASKET								6
-8	5158905-35	. TUBE ASSY (18355)								1
-9	5158905-51	. TUBE ASSY (18355)								1
	AN818-6D	. NUT								2
	MS20819-6D	. SLEEVE								2
-10	AN833-6D	. ELBOW								2
-11	AN919-6D	. REDUCER								3
-12	AN926-6D	. TEE								1
	AN924-6D	. NUT								7
	AN902-6	. GASKET								7
-13	2207679	. RESTRICTOR (18355)								1
	AN902-6	. GASKET								1
-14	2026	. CYLINDER, Bomb bay spoiler (79318) (18355 Spec 4206319) (for details see T.O. 9H2-5-27-4) (ATTACHING PARTS)								2
	MS24665-2-2	. COTTER PIN								4
	AN320-3	. NUT								2
	AN960D10	. WASHER								2
-15	AN23-17	. BOLT								2
	AN320-4	. NUT								2
	AN960D416	. WASHER								2
-16	AN24-19	. BOLT								2
		-----*								

Section II
Group Assembly Parts List

T.O. 1B-26K-4

FIG. AND INDEX NO.	PART NUMBER	DESCRIPTION	UNITS PER ASSY	USABLE ON CODE
24-17	4206372	. BRACKET (18355) (ATTACHING PARTS)	2	
	MS20365-1032	. NUT	8	
	AN960D10	. WASHER	8	
-18	AN3-5A	. BOLT	8	
		-----*		
-19	2209521	. VALVE, Shuttle (18355) (ATTACHING PARTS)	2	
	MS20365-1032	. NUT	4	
	AN960D10	. WASHER	4	
-20	AN520-10-30	. SCREW	4	
		-----*		
-21	2206998	. BLOCK, Bomb bay spoiler shuttle valve (18355)	1	
-22	1094	. VALVE, Shuttle check and relief (88332) (18355 Spec 4207096) (ATTACHING PARTS)	1	
-23	AN520-10-32	. SCREW	2	
		-----*		
-24	5158905-17	. TUBE ASSY (18355)	1	
	AN818-4D	. NUT	2	
	MS20819-4D	. SLEEVE	2	
-25	AN6260-4-9-3-4	. HOSE ASSY	1	
-26	AN6260-4-11-3-8	. HOSE ASSY	1	
-27	AN6260-4-10-1-2	. HOSE ASSY	1	
-28	AN6260-4-12-1-2	. HOSE ASSY	1	
-29	AN833-4D	. ELBOW	6	
-30	AN837-4D	. ELBOW	2	
-31	AN815-4D	. UNION	2	
-32	AN834-4D	. TEE	1	
-33	AN814-4D	. PLUG	1	
	AN924-4D	. NUT	10	
	AN902-4	. GASKET	10	
-34	26-7211-119	. TUBE ASSY	1	
-35	5158905-48	. TUBE ASSY (18355)	1	
-36	5158905-18	. TUBE ASSY (18355)	1	
	AN818-4D	. NUT	2	
	MS20819-4D	. SLEEVE	2	
-37	5158905-33	. TUBE ASSY (18355)	1	
-38	5158905-34	. TUBE ASSY (18355)	1	
-39	5158905-50	. TUBE ASSY (18355)	1	
-40	5158905-49	. TUBE ASSY (18355)	1	
-41	5158905-29	. TUBE ASSY (18355)	1	
	AN818-6D	. NUT	2	
	MS20819-6D	. SLEEVE	2	
-42	AN834-6D	. TEE	2	
-43	AN833-6D	. ELBOW	6	
-44	AN837-6D	. ELBOW	3	
-45	AN815-6D	. UNION	1	
-46	AN832-6D	. UNION	1	
-47	AN925-6D	. CROSS	1	
	AN924-6D	. NUT	13	
	AN902-6	. GASKET	13	
-48	5158905-52	. TUBE ASSY	1	
-49	5158905-43	. TUBE ASSY	1	
	AN818-6D	. NUT	2	
	MS20819-6D	. SLEEVE	2	
-50	26-7211-39	. TUBE ASSY	1	
	AN818-8D	. NUT	2	
	MS20819-8D	. SLEEVE	2	
-51	AN833-8D	. ELBOW	2	
-52	AN829-8D	. ELBOW	2	
-53	AN832-8D	. UNION	1	
	AN924-8D	. NUT	1	
-54	AN919-12D	. REDUCER	1	
-54A	AN893-2D	. BUSHING	2	
	AN902-4	. GASKET	1	
	AN902-6	. GASKET	2	
	AN902-8	. GASKET	1	
-55	2155005	. CLAMP, Bomb bay door actuating cylinder (18355) (ATTACHING PARTS)	1	
	MS20365-1032	. NUT	1	
-56	AN526-1032-26	. SCREW	1	
		-----*		

FIG. AND INDEX NO.	PART NUMBER	DESCRIPTION	UNITS PER ASSY	USABLE ON CODE
24-57	5122207	. CYLINDER ASSY, Fwd bomb bay door actuating (18355) (for details see fig. 25) (ATTACHING PARTS)	2	
	AN320-7	. NUT	4	
	AN960D716	. WASHER	8	
	S102661467-024	. SPACER	4	
-58	AN27-27	. BOLT	2	
-59	AN27-32	. BOLT	2	
		-----*		
-60	1096	. VALVE, Relief (88322) (18355 Spec 4207095) (ATTACHING PARTS)	1	
-61	AN520-10-26	. SCREW	2	
		-----*		
-62	405000	. EQUALIZER, Bomb bay door, hyd flow (77086) (18355 Spec 3209331) (for details see T.O. 9H8-7-3-3) (ATTACHING PARTS)	1	
	AN960D10	. WASHER	4	
-63	AN520-10-7	. SCREW	4	
		-----*		
-64	4209406	. BRACKET, Hyd flow equalizer (18355) (ATTACHING PARTS)	1	
	MS20365-1032	. NUT	4	
	AN960D10	. WASHER	4	
-65	AN520-10-12	. SCREW	4	
		-----*		
-66	5158905-6	. TUBE ASSY (18355)	1	
	AN818-8D	. NUT	2	
	MS20819-8D	. SLEEVE	2	
	26-7202-1	. HYDRAULIC INSTL, Fuselage bomb bay crossover	REF	
-67	2151772	. CLAMP ASSY, Bonded block (18355)	2	
-68	2151773	. CLAMP ASSY, Bonded block (ATTACHING PARTS)	2	
	MS20365-832	. NUT	8	
	AN960-8	. WASHER	8	
-69	AN515-8-24	. SCREW	8	
		-----*		
-70	4152500-1	. TUBE ASSY (18355)	1	
-71	4152500-2	. TUBE ASSY (18355)	1	
-72	4152500-3	. TUBE ASSY (18355)	1	
-73	26-7211-108	. TUBE ASSY	1	
-74	26-7211-109	. TUBE ASSY	1	
-75	4152500-4	. TUBE ASSY (18355)	1	
-76	4152500-5	. TUBE ASSY (18355)	1	
-77	4152500-6	. TUBE ASSY (18355)	1	
	AN818-8D	. NUT	2	
	MS20819-8D	. SLEEVE	2	
-78	AN821-8D	. ELBOW	3	
-79	AN829-8D	. ELBOW	1	
-80	AN824-8D	. TEE	1	
-81	AN830-8D	. TEE	2	
-82	AN815-8D	. UNION	3	
-83	AN831-8D	. NUT	7	
-84	2151777	. CLAMP ASSY, Bonded block (18355)	5	
-85	2151778	. CLAMP ASSY, Bonded block (18355)	3	
-86	2151779	. CLAMP ASSY, Bonded block (18355) (ATTACHING PARTS)	2	
		-----*		
-87	AN515-6-24	. SCREW	10	
-88	AN515-8-24	. SCREW	15	
-89	S1087510-8-24	. SCREW (18355)	5	
		-----*		
-90	5158905-1	. TUBE ASSY (18355)	1	
-91	5158905-2	. TUBE ASSY (18355)	1	
-92	5158905-3	. TUBE ASSY (18355)	1	
	AN818-8D	. NUT	2	
	MS20819-8D	. SLEEVE	2	
-93	AN821-8D	. ELBOW	3	
-94	5158905-8	. TUBE ASSY (18355)	1	
-95	5158905-4	. TUBE ASSY (18355)	1	

Section II
Group Assembly Parts List

T.O. 1B-26K-4

FIG. AND INDEX NO.	PART NUMBER	DESCRIPTION	UNITS PER ASSY	USABLE ON CODE
24-96	5158905-5	. TUBE ASSY (18355)	1	
-97	5158905-7	. TUBE ASSY (18355)	1	
	AN818-6D	. . NUT	2	
	MS20819-6D	. . SLEEVE	2	
-98	AN829-6D	. ELBOW	1	
-99	AN828-6D	. UNION	1	
-100	AN831-6D	. NUT	2	
-101	AN815-6D	. UNION	2	
-102	2280599	. HOSE ASSY (18355)	1	
-103	AN6260-6-27	. HOSE ASSY	1	
-104	5122208	. CYLINDER ASSY, Bomb bay door actuating aft (18355) (for details see fig. 25) (ATTACHING PARTS)	1	
	MS24665-2-2	. COTTER PIN	2	
	AN320-4	. NUT	2	
	S1026614G4-024	. SPACER (18355)	2	
-105	AN24-26	. BOLT	2	
		-----*		
-106	88	. SPRING, Helical, compression (71447)	1	
-107	755-9-2-6	. CLAMP, Loop (00502)		
-108	755-12-2-8	. CLAMP, Loop (00502)	1	
		(ATTACHING PARTS FOR ITEMS 105, 106 AND 107)		
	MS20865-832	. NUT	1	
	AN515-8-12	. SCREW	1	
		-----*		
-109		. HYDRAULIC SYSTEM INSTL, Emergency, fuselage section(see fig. 26).	REF	
-110		. HYDRAULIC INSTL, Fuselage fwd section (see fig. 20)	REF	
-111		. HYDRAULIC EQUIPMENT INSTL, Fuselage (see fig. 23)	REF	
-112		. HYDRAULIC INSTL, Nose wheel (see fig. 21)	REF	
-113		. HYDRAULIC INSTL, Wing (see fig. 17)	REF	

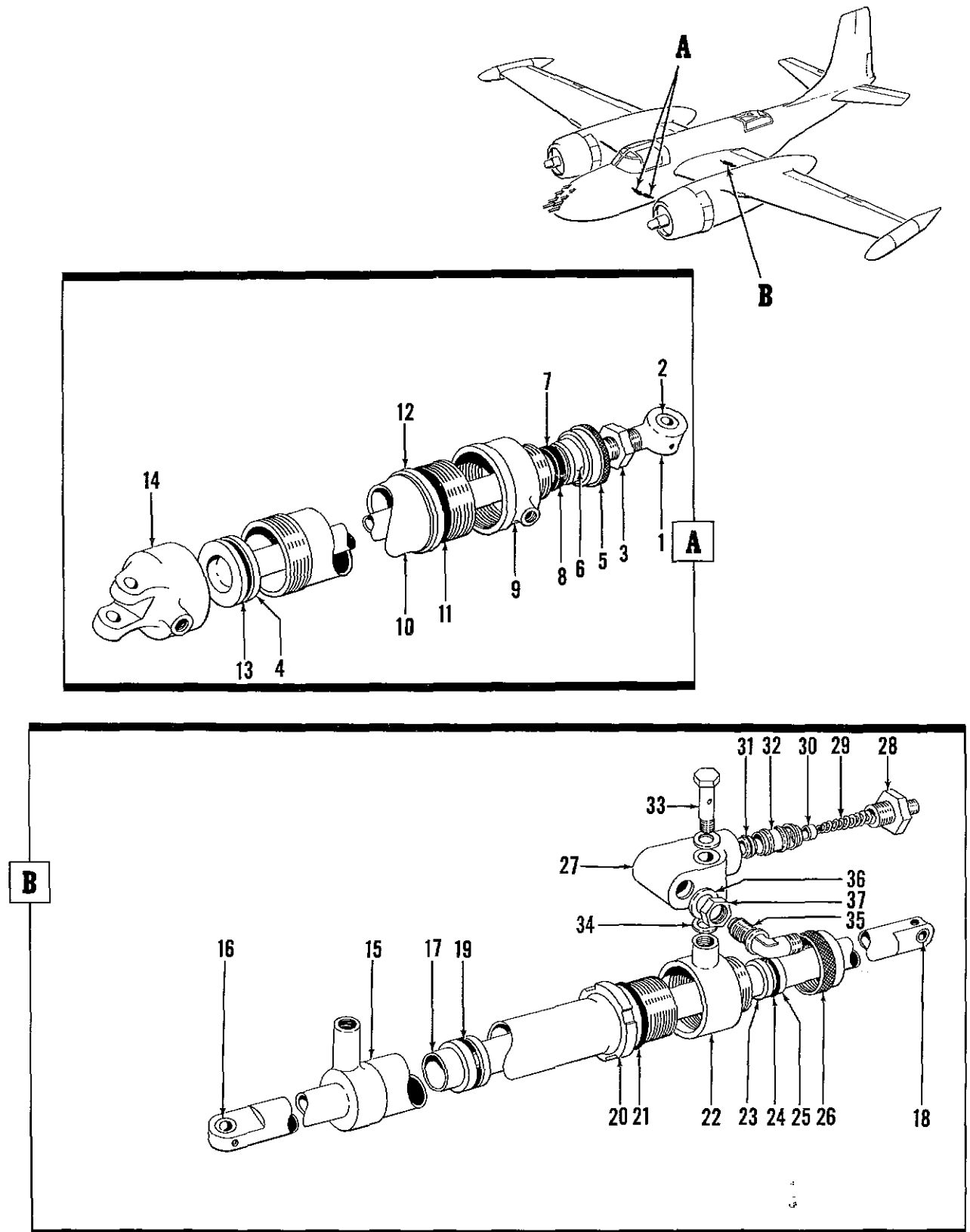


Figure 25. Bomb Bay Door Forward and Aft Actuating Cylinder Assembly

Section II
Group Assembly Parts List

T.O. 1B-26K-4

FIG. AND INDEX NO.	PART NUMBER	DESCRIPTION	UNITS PER ASSY	USABLE ON CODE
25-	5122207	BOMB BAY DOOR FORWARD AND AFT ACTUATING CYLINDER ASSY CYLINDER ASSY, Bomb door actuating forward (18355)	REF	
		(for NHA see fig. 24)		
	2150714	BOLT ASSY, Bomb door forward actuating cylinder (18355)	1	
-1	2150714-2	BOLT, Bomb door forward actuating cylinder (18355)	1	
-2	116500-9A024G	BUSHING, Aluminum bronze grooved (18355)	1	
-3	AN316-12R	NUT	1	
-4	4129519	PISTON ASSY, Bomb door forward actuating cylinder (18355)	1	
-5	2150725	NUT, Bomb door forward actuating cylinder rod packing (18355)	1	
-6	1073530B100-008	RING, Long packing (18355)	1	
-7	AN6229-20	ADAPTER	1	
-8	AN6225-20	PACKING	4	
-9	2129398	END, Bomb door forward actuating cylinder (18355)	1	
-10	2129395	BARREL, Bomb door forward actuating cylinder (18355)	1	
-11	1111908-224-230-188	GASKET, External seal ring (18355)	1	
-12	2150745	NUT, Bomb door actuating forward cylinder external packing (18355)	2	
-13	AN6227-32	PACKING	1	
-14	2150713	HEAD, Bomb door forward actuating cylinder (18355)	1	
	5122208	CYLINDER ASSY, Bomb door actuating aft (18355) (for NHA see fig. 24)	REF	
	5150119	BARREL ASSY, Bomb door aft actuating cylinder (18355)	1	
-15	5150119-2	BARREL (18355)	1	
-16	116500-6B023G	BUSHING, Plain sleeve brass (18355)	1	
	5150095	PISTON ASSY, Bomb door aft actuating cylinder (18355)	1	
-17	5150095-2	PISTON (18355)	1	
-18	116500-6B023G	BUSHING, Plain sleeve brass (18355)	1	
-19	AN3227-25	PACKING	1	
-20	2150731	NUT, Bomb door aft actuating cylinder (18355)	1	
-21	1111908-130-204-188	GASKET, External seal ring (18355)	1	
-22	2129356	END, Bomb door aft actuating cylinder (18355)	1	
-23	AN6229-20	ADAPTER	1	
-24	AN6225-20	PACKING	4	
-25	1073530B100-008	RING, Long packing (18355)	1	
-26	2150725	NUT, Bomb door forward actuating cylinder rod (18355)	1	
	2129383	VALVE ASSY, Bomb door aft actuating cylinder shuttle (18355)	2	
-27	2129384	BODY, Bomb door aft actuating cylinder shuttle valve (18355)	1	
-28	1150456	CONNECTOR, Shuttle valve 3/8-in. (18355)	1	
-29	1128871	SPRING, Shuttle valve 3/8-in. (18355)	1	
-30	1128869	CONE, Shuttle valve 3/8-in. (18355)	1	
-31	H107675-014	SEAT, Resilient valve (73324)	2	
-32	1128870	SPACER, Shuttle valve 3/8-in. (18355)	1	
-33	AN775-63	BOLT	2	
-34	AN901-6C	GASKET	4	
-35	AN833-4D	ELBOW	2	
-36	MS28778-4	PACKING	2	
-37	AN924-4B	NUT	2	

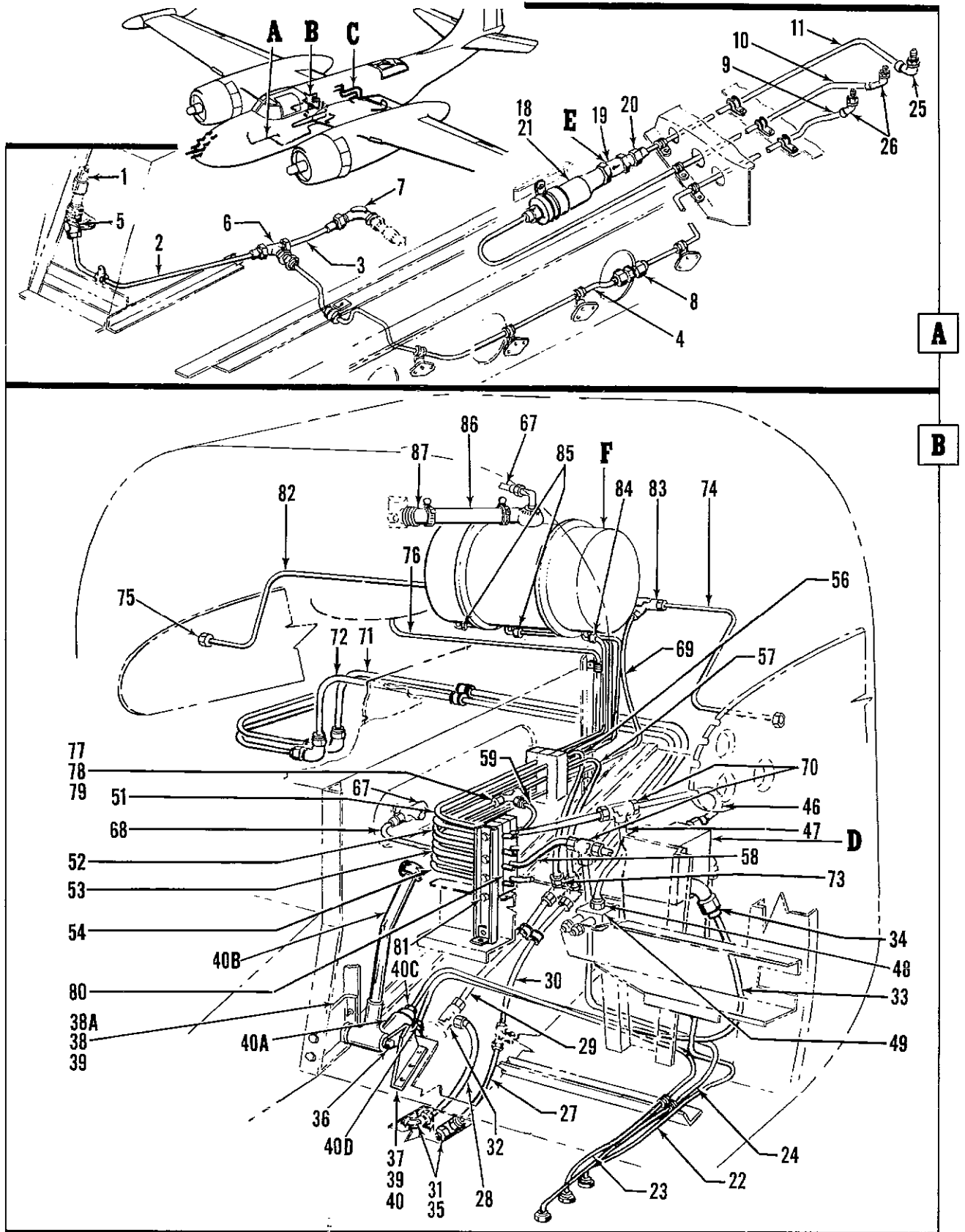


Figure 26. Fuselage Section Emergency Hydraulic System Installation (Sheet 1 of 2)

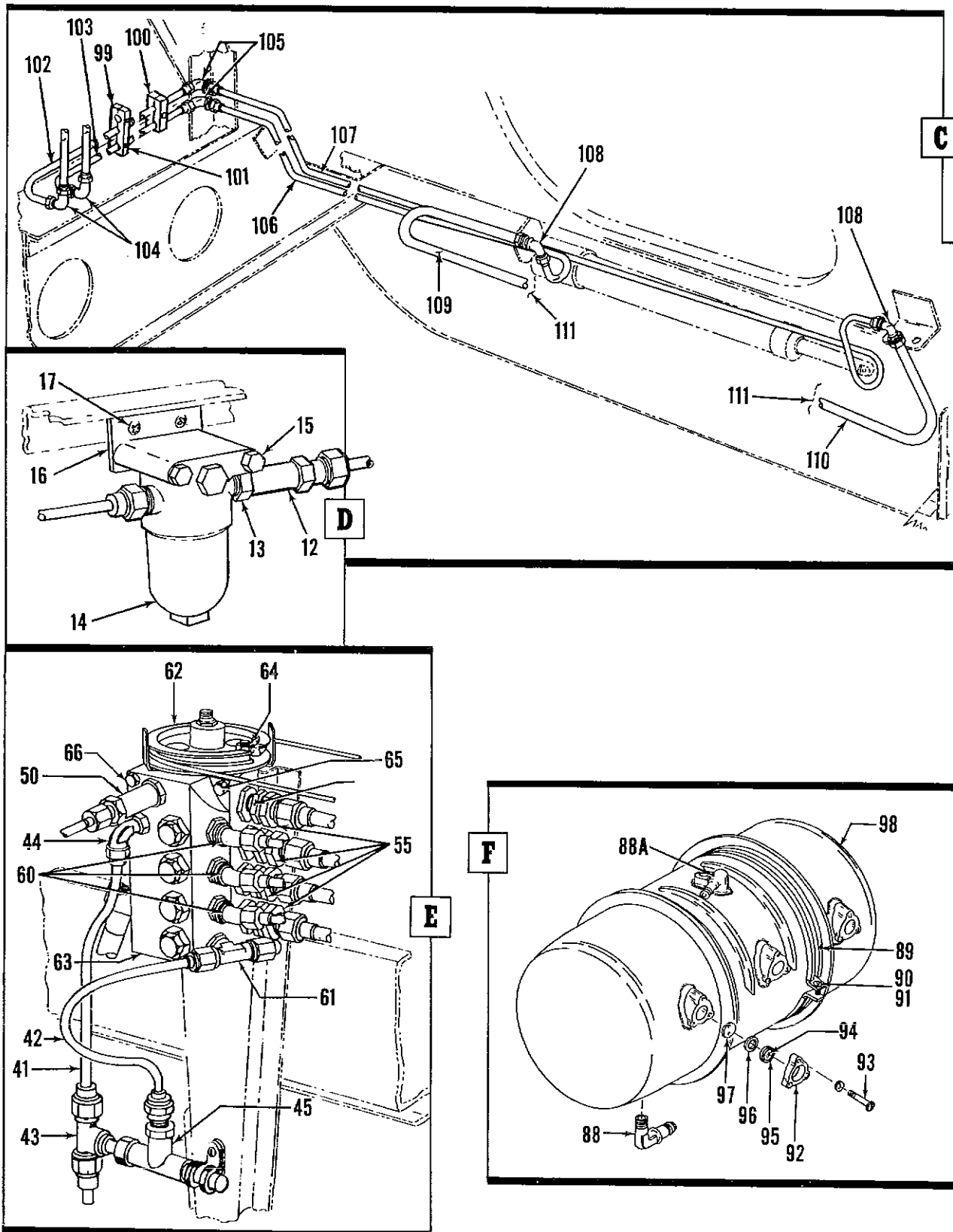


Figure 26. Fuselage Section Emergency Hydraulic System Installation (Sheet 2 of 2)

FIG. AND INDEX NO.	PART NUMBER	DESCRIPTION	UNITS PER ASSY	USABLE ON CODE
26-	26-7204-1	HYDRAULIC SYSTEM INSTL, Emergency, fuselage section (altered . . from 5143556 (81355))(for NHA see fig. 4)	REF	
-1		HYDRAULIC INSTL, Nose wheel (see fig. 21)	REF	
-2	26-7211-97	TUBE ASSY	1	
-3	26-7211-102	TUBE ASSY	1	
-4	26-7211-98	TUBE ASSY	1	
	AN818-4D	NUT	2	
	MS20819-4D	SLEEVE	2	
-5	AN837-4D	ELBOW	1	
-6	AN834-4D	TEE	1	
-7	AN833-4D	ELBOW	1	
-8	AN815-4D	UNION	1	
	AN924-4D	NUT	2	
-9	26-7211-99	TUBE ASSY	1	
-10	26-7211-100	TUBE ASSY	1	
-11	26-7211-101	TUBE ASSY	1	
	AN818-4D	NUT	2	
	MS20819-4D	SLEEVE	2	
-12	AN6207-4	VALVE, Check (used with MS28720-4 only)	1	
-13	AN818-4D	UNION, (Used with MS28720-4 only)	1	
	AN902-4	GASKET, (Used with MS28720-4 only)	2	
-14	MS28720-4	FILTER, Hyd, hand pump pressure check valve (for details see . . . T. O. 9H3-3-2-1) (for alt see item 18) (ATTACHING PARTS)	1	
	MS20365-428	NUT	2	
-15	AN4-17A	BOLT	2	
		-----*		
-16	2209247	PLATE, Adapter (18355) (used with MS28720-4 only) (ATTACHING PARTS)	1	
	MS20365-1032	NUT	2	
	AN960D10	WASHER	2	
	AN960-10	WASHER	2	
-17	AN520-10R14	SCREW	2	
		-----*		
	2193755	FILTER ASSY, Hyd hand pump pressure check valve (18355) (alt . . . for P/N MS28720-4) (ATTACHING PARTS)	1	
	755-22-2-8	CLIP (00502)	1	
	MS20365-1032	NUT	1	
	AN520-10-10	SCREW	1	
		-----*		
-18	2123260	FILTER ASSY, Hyd hand pump (18355) (altered from 26813 (81321)) (for alt see item 14)	1	
-19	AN6207-4	VALVE, Check	1	
-20	AN815-4D	UNION	1	
-21	MS28778-4	PACKING	1	
-22	26-7211-74	TUBE ASSY	1	
-23	26-7211-76	TUBE ASSY	1	
-24	26-7211-75	TUBE ASSY	1	
	AN818-4D	NUT	2	
	MS20819-4D	SLEEVE	2	
-25	AN833-4D	ELBOW	1	
-26	AN837-4D	ELBOW	2	
	AN924-4D	NUT	3	
	AN901-4A	GASKET	3	
-27	26-7211-73	TUBE ASSY	1	
-28	26-7211-72	TUBE ASSY	1	
-29	26-7211-71	TUBE ASSY	1	
-30	26-7211-70	TUBE ASSY	1	
	AN818-4D	NUT	2	
	MS20819-4D	SLEEVE	2	
-31	AN833-4D	ELBOW	2	
-32	AN804-4D	TEE	2	
	AN924-4D	NUT	1	
	MS28778-4	PACKING	1	

Section II
Group Assembly Parts List

T.O. 1B-26K-4

FIG. AND INDEX NO.	PART NUMBER	DESCRIPTION	UNITS PER ASSY	USABLE ON CODE
26-33	26-7211-69	. TUBE ASSY	1	
	AN818-8D	. . NUT	2	
	MS20819-8D	. . SLEEVE	2	
-34	AN833-8D	. . ELBOW	1	
	AN924-8D	. . NUT	1	
	AN902-8	. . GASKET	1	
-35		. HYDRAULIC INSTL, Fuselage aft section (see fig. 24)	REF	
	5194747	. PUMP ASSY, Hyd hand, complete (18355) (alt 5123561 (18355)) (ATTACHING PARTS)	1	
-36	AN4-26A	. BOLT	2	
		-----*		
-37	26-1057-1	. BRACKET	1	
-38	26-1058-1	. BRACKET ASSY, Mounting, hyd hand pump (ATTACHING PARTS FOR ITEMS 37 AND 38)	1	
	MS20365-1032	. NUT, (Used with item 38 only)		
	AN960-10	. WASHER, (Used with item 38 only)		
-38A	AN3-4A	. BOLT	2	
-39	AN3-5A	. BOLT	4	
-40	AN3-6A	. BOLT	1	
		-----*		
-40A	D10007-4	. . PUMP ASSY, Hyd hand (00502) (intchg with 66-25503 (73110))	1	
-40B	10019	. . HANDLE, Hyd hand pump (00502) (18355 Spec. 4127503)	1	
-40C	AN815-4D	. UNION	1	
	MS28778-4	. GASKET	1	
-40D	AN815-8D	. UNION	1	
	MS28778-8	. GASKET	1	
-41	26-7211-67	. TUBE ASSY	1	
-42	26-7211-68	. TUBE ASSY	1	
	AN818-4D	. . NUT	2	
	MS20819-4D	. . SLEEVE	2	
-43	AN834-4D	. TEE	1	
-44	AN833-4D	. ELBOW	1	
	AN924-4D	. NUT	2	
	AN902-4	. GASKET	2	
-45	2193791	. VALVE ASSY, Hyd temperature relief (18355)	1	
-46	26-7211-65	. TUBE ASSY	1	
-47	26-7211-66	. TUBE ASSY	1	
	AN818-4D	. . NUT	2	
	MS20819-4D	. . SLEEVE	2	
-48	AN815-4D	. UNION	1	
	MS28778-4	. PACKING	1	
-49	96G21	. SWITCH, Pressure (09049) (ATTACHING PARTS)	1	
	MS20365-1032	. NUT	2	
	AN960-10	. WASHER	4	
	NAS43DD3-72	. SPACER	2	
	AN3-31A	. BOLT	2	
		-----*		
-50	AN6207-4	. VALVE, Check	1	
	AN902-4	. GASKET	1	
-51	26-7211-87	. TUBE ASSY	1	
-52	26-7211-86	. TUBE ASSY	1	
-53	26-7211-85	. TUBE ASSY	1	
-54	26-7211-84	. TUBE ASSY	1	
	AN818-6D	. . NUT	2	
	MS20819-6D	. . SLEEVE	2	
-55	AN815-6D	. UNION	4	
	AN902-6	. GASKET	4	
-56	26-7211-63	. TUBE ASSY	1	
-57	26-7211-62	. TUBE ASSY	1	
-58	26-7211-91	. TUBE ASSY	1	
-59	26-7211-64	. TUBE ASSY	1	
	AN818-4D	. . NUT	2	
	MS20819-4D	. . SLEEVE	2	
-60	AN837-4D	. ELBOW	3	

FIG. AND INDEX NO.	PART NUMBER	DESCRIPTION	UNITS PER ASSY	USABLE ON CODE
26-61	AN834-4D	. TEE	1	
	AN924-4D	. NUT	4	
	AN902-4	. GASKET	5	
-62	4129545-10	. DRUM AND CABLE ASSY, Emergency selector valve (18355) (ATTACHING PARTS)	1	
	MS20365-428	. NUT	1	
	AN960-416	. WASHER	1	
		-----*-----		
-63	5128486	. VALVE, Emergency selector (18355) (ATTACHING PARTS)	1	
	MS20365-1032	. NUT	3	
-64	AN3-4A	. BOLT	1	
-65	AN3-17A	. BOLT	1	
-66	AN3-26A	. BOLT	1	
		-----*-----		
-67		. HYDRAULIC EQUIPMENT INSTL, Fuselage (see fig. 23)	REF	
-68	26-7211-88	. TUBE ASSY	1	
-69	26-7211-59	. TUBE ASSY	1	
	AN818-4D	. NUT	2	
	MS20819-4D	. SLEEVE	2	
-70	AN824-4D	. TEE	2	
-71	26-7211-90	. TUBE ASSY	1	
-72	26-7211-89	. TUBE ASSY	1	
	AN818-4D	. NUT	2	
	MS20819-4D	. SLEEVE	2	
-73	AN834-4D	. TEE	2	
	AN924-4D	. NUT	2	
-74	26-7211-56	. TUBE ASSY	1	
	AN818-4D	. NUT	2	
	MS20819-4D	. SLEEVE	2	
-75		. HYDRAULIC INSTL, Wing, (see fig. 17)	REF	
-76	26-7211-61	. TUBE ASSY	1	
	AN818-6D	. NUT	2	
	MS20819-6D	. SLEEVE	2	
-77	AN938-6D	. TEE	1	
-78	AN815-6D	. UNION	1	
-79	AN919-6D	. REDUCER	2	
	MS28778-6	. PACKING	3	
-80	2155292	. BLOCK (18355) (ATTACHING PARTS)	2	
	MS20365-632	. NUT	6	
-81	AN515-6-28	. SCREW	6	
		-----*-----		
-82	26-7211-95	. TUBE ASSY	1	
	AN818-4D	. NUT	2	
	MS20819-4D	. SLEEVE	2	
-83	AN824-4D	. TEE	1	
-84	AN921-4D	. ELBOW	1	
	AN924-4D	. NUT	1	
	MS28778-4	. PACKING	1	
-85	AN921-6D	. ELBOW	2	
	AN924-6D	. NUT	2	
	MS28778-6	. PACKING	3	
-86	AN878-12-36	. HOSE ASSY	1	
-87	AN844-12D	. ELBOW	1	
-88	AN833-6D	. ELBOW	1	
-88A	AN837-6D	. ELBOW	1	
-89	4191131-28	. STRAP (18355) (ATTACHING PARTS)	4	
	MS20365-1032	. NUT	6	
-90	AN520-10-32	. SCREW	2	
-91	AN520-10-24	. SCREW	4	
		-----*-----		
	5128374	. RESERVOIR ASSY, Emergency hydraulic (18355)	1	

Section II
Group Assembly Parts List

T.O. 1B-26K-4

FIG. AND INDEX NO.	PART NUMBER	DESCRIPTION	UNITS PER ASSY	USABLE ON CODE
26-92	1127787	. . COVER (18355) (ATTACHING PARTS)	3	
	AN960D8	. . WASHER	9	
-93	AN503-8-12	. . SCREW -----*	9	
-94	1127788	. . GLASS, Emergency reservoir window (18355)	3	
-95	1127789	. . GASKET (18355)	3	
-96	AN6227-15	. . PACKING	3	
-97	1206332	. . DISK, Bulls-eye (18355)	3	
-98	5128374-8	. . RESERVOIR, Emergency hydraulic (18355)	1	
-99	2204868	. . BLOCK (18355)	5	
-100	2204869	. . BLOCK (18355) (ATTACHING PARTS)	4	
-101	AN507-832R24	. . SCREW -----*	14	
-102	5194616-63	. . TUBE ASSY (18355)	1	
-103	5194616-62	. . TUBE ASSY (18355)	1	
	AN818-4D	. . NUT	2	
	MS20819-4D	. . SLEEVE	2	
-104	AN821-4D	. . ELBOW	2	
-105	AN833-4D	. . ELBOW	2	
	AN924-4D	. . NUT	2	
-106	5194616-40	. . TUBE ASSY (18355)	1	
-107	5194616-41	. . TUBE ASSY (18355)	1	
	AN818-4D	. . NUT	2	
	MS20819-4D	. . SLEEVE	2	
-108	AN829-4D	. . ELBOW	2	
	AN924-4D	. . NUT	2	
-109	AN6260-4-24	. . HOSE ASSY	1	
-110	2280598	. . HOSE ASSY (18355)	1	
-111		. . HYDRAULIC INSTL, Fuselage aft section (see fig. 24)	REF	

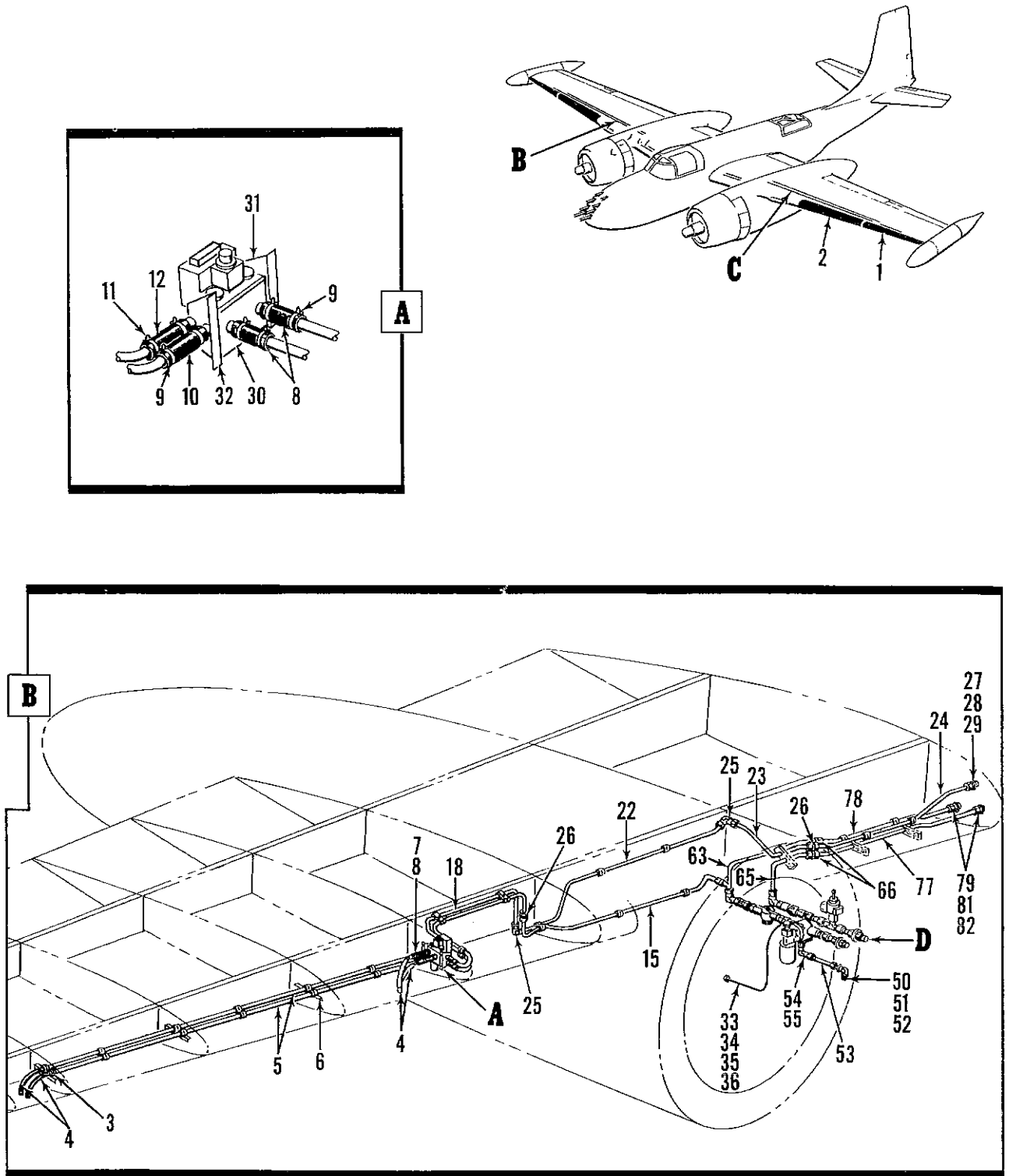


Figure 27. B26K De-icer System Installation (Sheet 1 of 2)

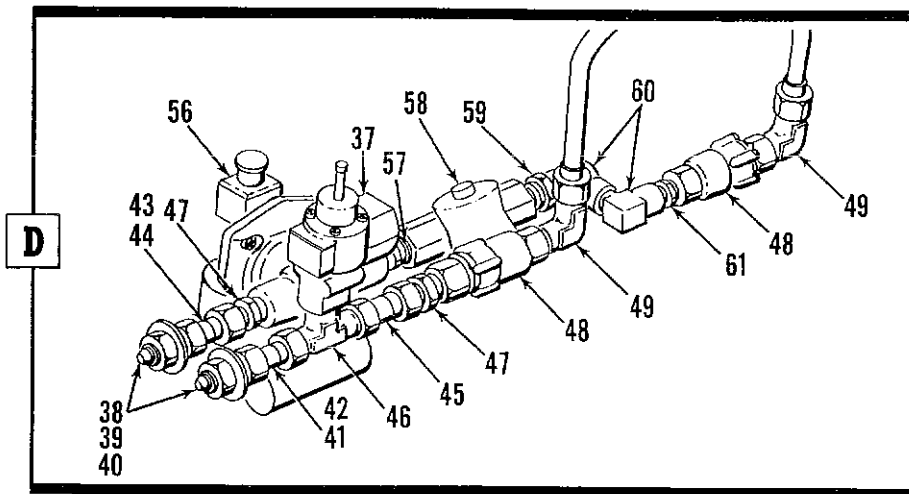
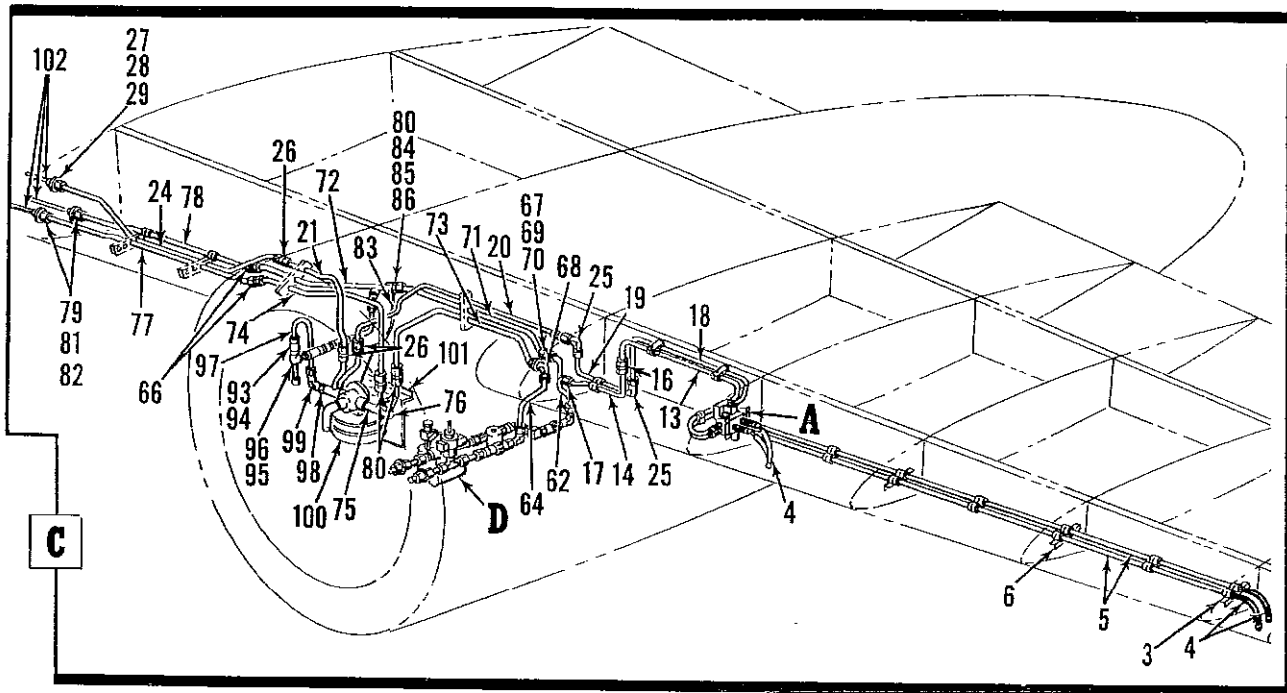


Figure 27. B26K De-icer System Installation (Sheet 2 of 2)

FIG. AND INDEX NO.	PART NUMBER	DESCRIPTION	UNITS PER ASSY	USABLE ON CODE
27-	26-9234-60	DE-ICER SYSTEM INSTL, B-26K(for NHA see fig. 2)	REF	
	26-9234-301	DE-ICER INSTL, Wing LH	NP	
	26-9234-302	DE-ICER INSTL, Wing RH	NP	
-1	21-2040-2-1	DE-ICER BOOT, Outboard, Wing LH (03481)	1	
	21-2040-2-2	DE-ICER BOOT, Outboard, Wing RH (03481)	1	
-2	21-2040-1-1	DE-ICER BOOT, Inboard, Wing LH (03481)	1	
	21-2040-1-2	DE-ICER BOOT, Inboard, Wing RH (03481)	1	
-3	AN737TW34	CLAMP	4	
-4	26-9234-103	HOSE, Rubber	4	
-5	26-9503-1	TUBE, Metal	2	
-6	26-9234-116	BRACKET	3	
		(ATTACHING PARTS)		
	MS20365-1032	NUT	6	
	AN960-10L	WASHER	6	
	AN3-4A	BOLT	6	
		-----*		
-7	AN737TW34	CLAMP	2	
-8	26-9234-102	HOSE, Rubber	2	
-9	AN737TW38	CLAMP	2	
-10	26-9234-100	HOSE, Rubber	1	
-11	AN737TW30	CLAMP	2	
-12	26-9234-101	HOSE, Rubber	1	
-13	26-9234-81	TUBE ASSY (LH)	1	
	26-9234-67	TUBE ASSY (RH)	1	
-14	26-9234-82	TUBE ASSY	1	
-15	26-9234-68	TUBE ASSY	1	
	AN818-8D	NUT	3	
	MS20819-8D	SLEEVE	3	
-16	AN815-8D	UNION	1	
-17	AN816-8D	NIPPLE	1	
-18	26-9234-79	TUBE ASSY (LH)	1	
	26-9234-66	TUBE ASSY (RH)	1	
-19	26-9234-80	TUBE ASSY (LH)	1	
-20	26-9234-115	TUBE ASSY (LH)	1	
-21	26-9234-114	TUBE ASSY (LH)	1	
-22	26-9234-65	TUBE ASSY (RH)	1	
-23	26-9234-64	TUBE ASSY (RH)	1	
-24	26-9234-63	TUBE ASSY	1	
	AN818-12D	NUT	16	
	MS20819-12D	SLEEVE	16	
-25	AN821-12D	ELBOW	2	
-26	AN815-12D	UNION	3	
-27	AN924-12D	NUT	1	
-28	AN960D1716	WASHER	1	
-29	AN832D12	UNION	1	
-30	1532-3	VALVE, Distributor	1	
-31	26-9506-1	BRACKET	1	
-32	26-9506-2	BRACKET	1	
		(ATTACHING PARTS)		
	MS20365-1032	NUT	4	
	AN960-10L	WASHER	4	
	AN3-4A	BOLT	4	
		-----*		
-33	26-9234-113	TUBE ASSY	1	
	AN818-4D	NUT	2	
	MS20819-4D	SLEEVE	2	
-34	AN924-4D	NUT	1	
-35	AN833-4D	ELBOW	1	
-36	AN816-4D	NIPPLE	1	
-37	38E01-4A	VALVE, Pressure relief (99551) (for details see T. O. 15E2-6-12-13)	1	
-38	AN924-16	NUT	2	
-39	AN960-2016	WASHER	2	
-40	AN832-16	UNION	2	
-41	26-9234-44	TUBE ASSY	1	
-42	26-9234-49	TUBE ASSY	1	

Section II
Group Assembly Parts List

T.O. 1B-26K-4

FIG. AND INDEX NO.	PART NUMBER	DESCRIPTION	UNITS PER ASSY	USABLE ON CODE
27-43	26-9234-15	TUBE ASSY	1	
-44	26-9234-45	TUBE ASSY	1	
-45	26-9234-43	TUBE ASSY	1	
	AN818-16D	NUT	10	
	MS20819-16D	SLEEVE	10	
-46	MS20825-16-12D	TEE	1	
-47	AN816-16-12D	NIPPLE	2	
-48	AN5830-6	VALVE (alt 557-10C (73030))	2	
-49	MS20822-16D	ELBOW	3	
-50	AN837-12	ELBOW (RH)	1	
-51	AN960-1716	WASHER (RH)	1	
-52	AN924-12	NUT (RH)	1	
-53	26-9234-46	TUBE ASSY (RH)	1	
	AN818-12D	NUT	2	
	MS20819-12D	SLEEVE	2	
-54	MS20822-12D	ELBOW (RH)	1	
-55	AN912-10D	BUSHING (RH)	1	
-56	38E04-3A	VALVE, Shutoff (99551) (for details see T.O. 15E2-6-12-33)	1	
-57	AN911-10D	NIPPLE	1	
-58	38E03-2B	VALVE, Relief (99551) (for details see T.O. 15E2-6-12-23)	1	
-59	AN912-10D	BUSHING	1	
-60	AN914-6D	ELBOW (LH)	2	
-61	AN911-6D	NIPPLE	1	
-62	26-9234-76	TUBE ASSY	1	
-63	26-9234-75	TUBE ASSY	1	
-64	26-9234-87	TUBE ASSY	1	
-65	26-9234-71	TUBE ASSY	1	
	AN818-16D	NUT	8	
	MS20819-16D	SLEEVE	8	
-66	AN815-16D	UNION (RH)	2	
-67	AN832-16D	UNION (LH)	1	
-68	AN837-16D	ELBOW (LH)	1	
-69	AN960D2016	WASHER (LH)	3	
-70	AN924-16D	NUT (LH)	1	
-71	26-9234-84	TUBE ASSY (LH)	1	
-72	26-9234-78	TUBE ASSY (LH)	1	
-73	26-9234-88	TUBE ASSY (LH)	1	
-74	26-9234-89	TUBE ASSY (LH)	1	
-75	26-9234-77	TUBE ASSY (LH)	1	
-76	26-9234-136	COVER	1	
-77	26-9234-72	TUBE ASSY	1	
-78	26-9234-73	TUBE ASSY	1	
	AN818-16D	NUT	15	
	MS20819-16D	SLEEVE	15	
-79	AN832-16D	UNION	2	
-80	AN815-16D	UNION	3	
-81	AN924-16D	NUT	5	
-82	AN960D2016	WASHER	3	
-83	26-9234-112	TUBE ASSY (LH)	1	
	AN818-4D	NUT	2	
	MS20819-4D	SLEEVE	2	
-84	AN924-4D	NUT (LH)	1	
-85	AN816-4D	NIPPLE (LH)	1	
-86	AN833-4D	ELBOW (LH)	1	
-87	26-9234-6	TUBE ASSY (LH)	1	
	AN818-4D	NUT	2	
	MS20819-4D	SLEEVE	2	
-88	AN823-4D	ELBOW (LH)	1	
-89	AN737TW66	CLAMP (LH)	4	
-90	26-9234-118	HOSE, Rubber (LH)	2	
-91	26-9234-110	TUBE ASSY (LH)	1	
-92	26-9234-111	TUBE (LH)	1	
-93	AN737TW34	CLAMP (LH)	6	
-94	26-9234-53	HOSE, Rubber (LH)	3	
-95	19E26-1A	EJECTOR, Air (88917) (LH)	1	

FIG. AND INDEX NO.	PART NUMBER	DESCRIPTION	UNITS PER ASSY	USABLE ON CODE
27-96	557-2C	. . VALVE (73030) (LH)	1	
-97	26-9234-57	. . TUBE ASSY (LH)	1	
	AN818-12D NUT	1	
	MS80819-12D SLEEVE	1	
-98	26-9234-7	. . TUBE ASSY	1	
-99	MS20822-12D	. . ELBOW (LH)	1	
-100	1545-13	. . COMBINATION UNIT (88917) (LH).	1	
-101	26-9234-1	. . BRACKET ASSY	1	
-102	26-9234-305	. . DE-ICER INSTL, Fuselage (for details see fig. 28)	NP	

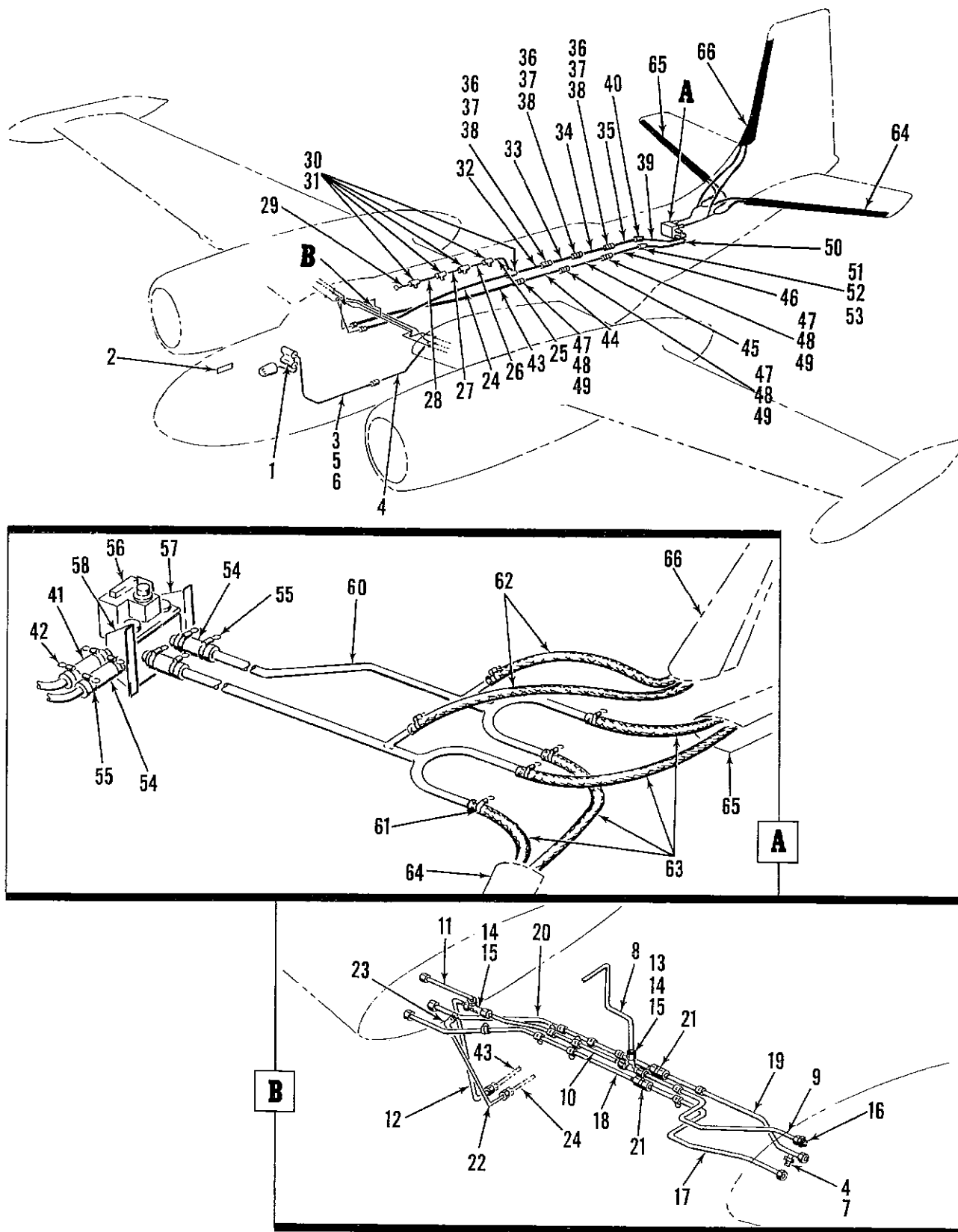


Figure 28. Fuselage De-icer Installation

FIG. AND INDEX NO.	PART NUMBER	DESCRIPTION 1 2 3 4 5 6 7	UNITS PER ASSY	USABLE ON CODE
28-	26-9234-305	DE-ICER INSTL, Fuselage (for NHA see fig. 27)	NP	
-1		. INSTRUMENT INSTL, Pilot's compartment (see fig. 79)	REF	
-2	42E06-18B	. TIMER, Electronic (99551) (T.O. pending)	1	
-3	26-9234-119	. TUBE ASSY	1	
-4	26-9234-129	. TUBE ASSY	1	
	AN818-10D	. NUT	2	
	MS20819-10D	. SLEEVE	2	
-5	AN816-10-12D	. NIPPLE	1	
-6	AN833-10D	. ELBOW	1	
	AN924-10D	. NUT	1	
	AN960D1416	. WASHER	1	
-7	AN816-10D	. NIPPLE	1	
-8	26-9234-99	. TUBE ASSY	1	
	AN818-4D	. NUT	2	
	MS20819-4D	. SLEEVE	2	
-9	26-9234-98	. TUBE ASSY	1	
-10	26-9234-109	. TUBE ASSY	1	
-11	26-9234-69	. TUBE ASSY	1	
-12	26-9234-74	. TUBE ASSY	1	
	AN818-12D	. NUT	2	
	MS20819-12D	. SLEEVE	2	
-13	AN919-16D	. REDUCER	1	
-14	AN815-12D	. UNION	5	
	MS28778-12	. GASKET	6	
-15	AN938-12D	. TEE	2	
-16	AN832-12D	. UNION	2	
	AN924-12D	. NUT	2	
	AN960D1716	. WASHER	2	
-17	26-9234-107	. TUBE ASSY	1	
-18	26-9234-97	. TUBE ASSY	1	
-19	26-9234-127	. TUBE ASSY	1	
-20	26-9234-126	. TUBE ASSY	1	
	AN818-16D	. NUT	2	
	MS20819-16D	. SLEEVE	2	
-21	AN815-16D	. UNION	2	
-22	26-9234-120	. TUBE ASSY	1	
	AN818-8D	. NUT	2	
	MS20819-8D	. SLEEVE	2	
-23	MS20822-8D	. ELBOW	1	
-24	26-9234-62	. TUBE ASSY	1	
-25	26-9234-122	. TUBE ASSY	1	
-26	26-9234-123	. TUBE ASSY	1	
-27	26-9234-124	. TUBE ASSY	1	
-28	26-9234-125	. TUBE ASSY	1	
-29	26-9234-121	. TUBE ASSY	1	
	AN818-8D	. NUT	2	
	MS20819-8D	. SLEEVE	2	
-30	AN824-8D	. TEE	5	
-31	AN929-8	. CAP ASSY	5	
-32	26-9234-130	. TUBE ASSY	1	
-33	26-9234-131	. TUBE ASSY	1	
-34	26-9234-117	. TUBE ASSY	1	
-35	29-9234-128	. TUBE ASSY	1	
	AN818-8D	. NUT	2	
	MS20819-8D	. SLEEVE	2	
-36	AN832-8D	. UNION	3	
-37	AN924-8D	. NUT	3	
-38	AN960D1216	. WASHER	3	
-39	26-9234-31	. TUBE ASSY	1	
	AN818-8D	. NUT	2	
	MS20819-8D	. SLEEVE	2	
-40	AN837-8D	. ELBOW	1	
	AN924-8D	. NUT	1	
	AN960D1416	. WASHER	1	
-41	26-9234-102	. HOSE, Rubber	1	
-42	AN737TW34	. CLAMP	2	

Section II
Group Assembly Parts List

T.O. 1B-26K-4

FIG. AND INDEX NO.	PART NUMBER	DESCRIPTION	UNITS PER ASSY	USABLE ON CODE
28-43	26-9234-61	. TUBE ASSY	1	
-44	26-9234-59	. TUBE ASSY	1	
-45	26-9234-95	. TUBE ASSY	1	
-46	26-9234-94	. TUBE ASSY	1	
	AN818-10D	. . NUT	2	
	MS20819-10D	. . SLEEVE	2	
-47	AN832-10D	. UNION	3	
-48	AN924-10D	. NUT	3	
-49	AN960D1416	. WASHER	3	
-50	26-9234-30	. TUBE ASSY	1	
	AN818-10D	. . NUT	2	
	MS20819-10D	. . SLEEVE	2	
-51	AN837-10D	. ELBOW	1	
-52	AN924-10D	. NUT	1	
-53	AN960D1416	. WASHER	1	
-54	AN737TW38	. CLAMP	6	
-55	26-9234-100	. HOSE, Rubber	3	
-56	1532-3	. VALVE, Distributor (03481) (for details see T. O. 15E2-3-6-13) . . .	1	
-57	26-1071-1	. BRACKET, Distributor valve mounting	1	
-58	26-1071-2	. BRACKET, Distributor valve mounting	1	
-59	26-9505-1	. TUBE ASSY	1	
-60	26-9504-1	. TUBE ASSY	1	
-61	AN737TW34	. CLAMP	8	
-62	26-9234-104	. HOSE, Rubber	2	
-63	26-9234-105	. HOSE, Rubber	4	
-64	21-2040-3-1	. DE-ICER BOCT, Elevator LH (03481)	1	
-65	21-2040-3-2	. DE-ICER BOOT, Elevator RH (03481)	1	
-66	21-2040-4-1	. DE-ICER BOOT, Vertical stabilizer (03481)	1	

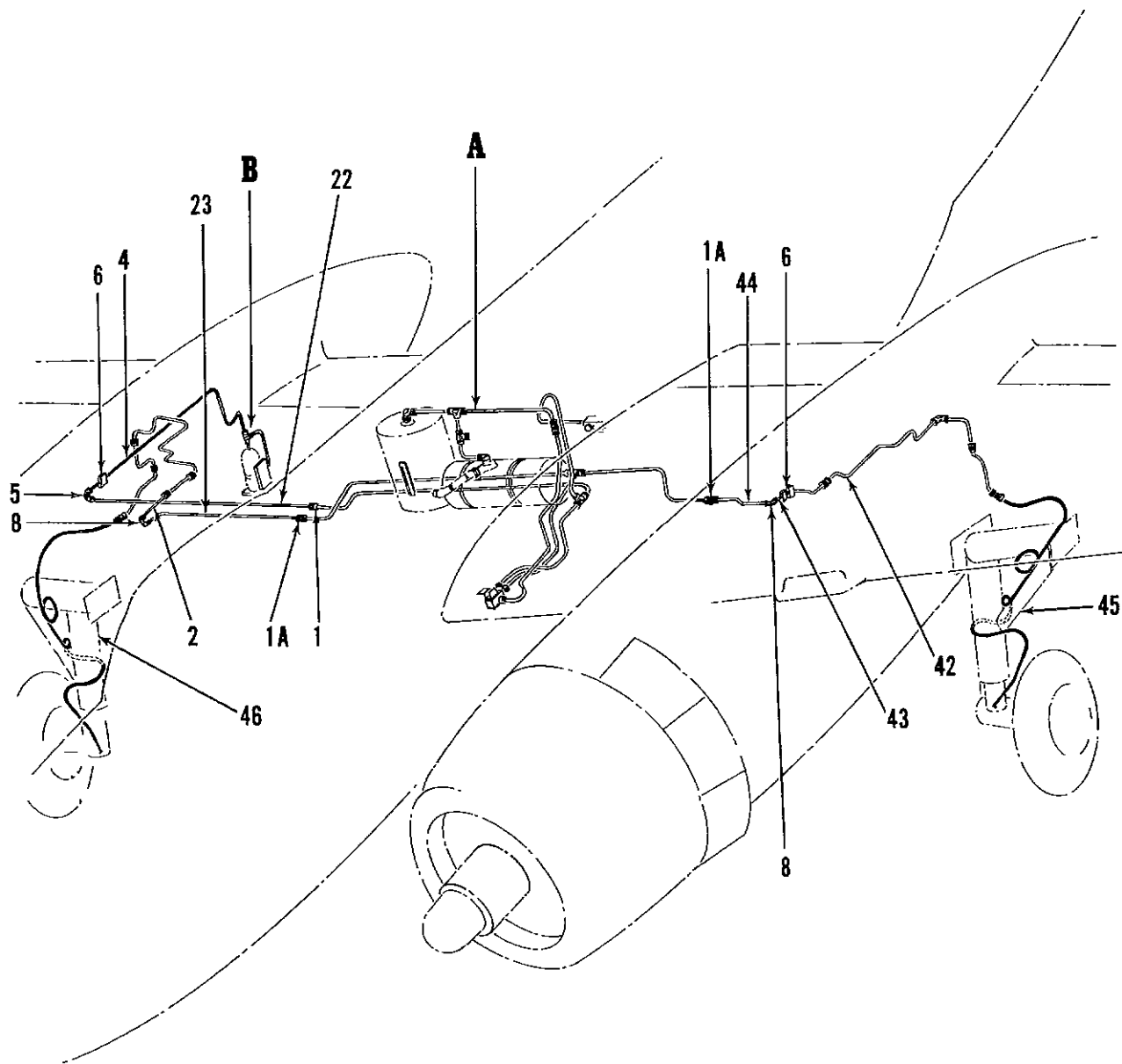


Figure 29. B-26K Emergency Air Brake Installation (Sheet 1 of 2)

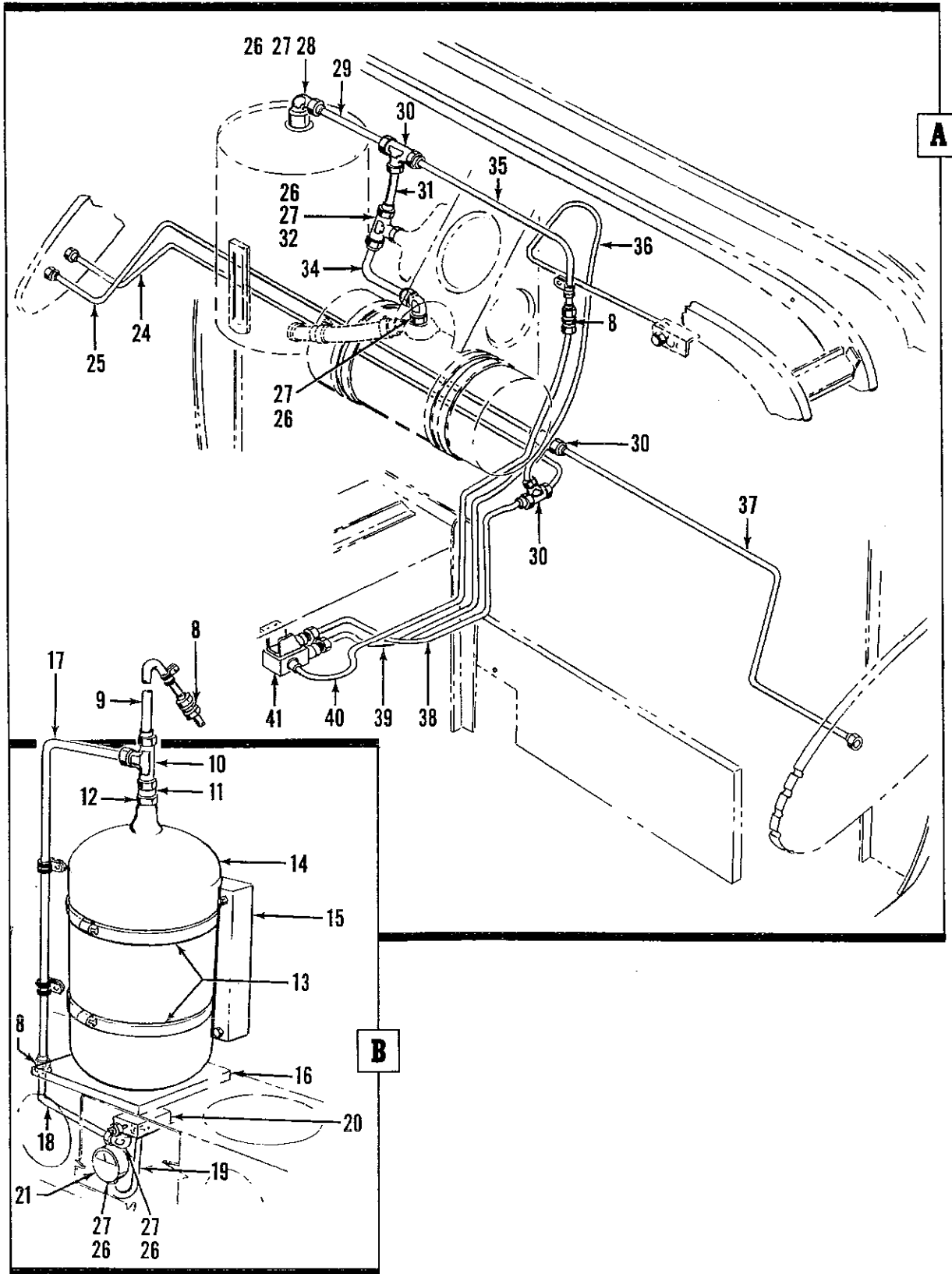


Figure 29. B-26K Emergency Air Brake Installation (Sheet 2 of 2)

FIG. AND INDEX NO.	PART NUMBER	DESCRIPTION	UNITS PER ASSY	USABLE ON CODE
29-	26-7260-1	BRAKE INSTL, B-26K Emergency air (for NHA see fig. 2)	REF	
-1	AN832-4D	. UNION	4	
-1A	AN924-4D	. NUT.	6	
-2	26-7211-190	. TUBE ASSY, Air press	1	
-2A	26-7211-189	. TUBE ASSY.	1	
-3	26-7211-188	. TUBE ASSY, Press to right brake.	1	
-4	26-7211-170	. TUBE ASSY, Emergency air	1	
	MS20819-4D	. SLEEVE	2	
	AN818-4D	. NUT.	2	
-5	AN821-4D	. ELBOW	1	
-6	26-9552-1	. BLOCK, Micarta	8	
-7	DELETED			
-8	AN815-4D	. UNION	5	
-9	26-7211-172	. TUBE ASSY, Emergency air press	1	
	MS20819-4D	. SLEEVE	2	
	AN818-4D	. NUT.	2	
-10	MS20825-4D	. TEE.	1	
-11	AN912-10	. REDUCER.	1	
-12	AN912-9	. REDUCER.	1	
-13	QS200M80	. CLAMP, Screw type (99486)	2	
-14	2126500	. TANK, Pressure (18355)	1	
-15	26-9220-1	. BRACKET, Emerg. air bottle mounting	1	
-16	COML	. PAD, Felt, 5 in. dia x 1/2 in. thk.	1	
-17	26-7211-173	. TUBE ASSY, Gage press	1	
-18	26-7211-174	. TUBE ASSY, Gage press	1	
-19	26-7211-175	. TUBE ASSY, Press. line.	1	
	MS20819-4D	. SLEEVE	2	
	AN818-4D	. NUT.	2	
-20	26-9270-1	. BLOCK, Air filler, hi-pressure	1	
-20A	MS28889-1	. VALVE.	1	
-21	26-5035-1	. GAUGE, Emergency air press. (altered from P/N AN5771-4)	1	
-22	26-7211-171	. TUBE ASSY, Emergency air	1	
-23	26-7211-191	. TUBE ASSY, Air press	1	
-24	26-7211-96	. TUBE ASSY, Emergency brake press	1	
-25	26-7211-94	. TUBE ASSY, Emergency brake sys.	1	
	MS20819-4D	. SLEEVE	2	
	AN818-4D	. NUT.	2	
-26	AN924-4D	. NUT.	6	
-27	MS28778-4D	. PACKING	6	
-28	AN833-4D	. ELBOW	1	
-29	26-7211-1	. TUBE ASSY, Emergency res. vent	1	
	MS20819-4D	. SLEEVE	2	
	AN818-4D	. NUT.	2	
-30	AN824-4D	. TEE.	3	
-31	26-7211-2	. TUBE ASSY, Emergency res. vent	1	
	MS20819-4D	. SLEEVE	2	
	AN818-4D	. NUT.	1	
-32	AN834-4D	. TEE.	1	
-33	DELETED			
-34	26-7211-7	. TUBE ASSY, Emergency res. vent	1	
-35	26-7211-53	. TUBE ASSY, Emergency air return.	1	
-36	26-7211-54	. TUBE ASSY, Emergency air press.	1	
-37	26-7211-57	. TUBE ASSY, Emergency brake system	1	
-38	26-7211-58	. TUBE ASSY, Emergency brake system	1	
-39	26-7211-60	. TUBE ASSY, Emergency brake press.	1	
-40	26-7211-55	. TUBE ASSY, Emergency brake return.	1	
	MS20819-4D	. SLEEVE	2	
	AN818-4D	. NUT.	2	
-41	2-62-001-21	. VALVE ASSY, Emergency air brake (74908) (for details see T. O. 4BA5-18-3)	1	
-41A	AN833-4D	. ELBOW	2	
-42	26-7211-187	. TUBE ASSY, Press. to left brake	1	
-43	26-7211-186	. TUBE ASSY, Air press.	1	
-44	26-7211-185	. TUBE ASSY, Air press.	1	
	MS20819-4D	. SLEEVE	2	
	AN818-4D	. NUT.	2	
-45	26-1056-1	. BRACKET ASSY, Control valve, emer air brake.	1	
-46	26-7212-27	. TUBING INSTL, Main landing gear and brake LH (for details see fig. 18)	NP	
-47	26-7212-28	. TUBING INSTL, Main landing gear and brake RH (for details see fig. 18)	NP	

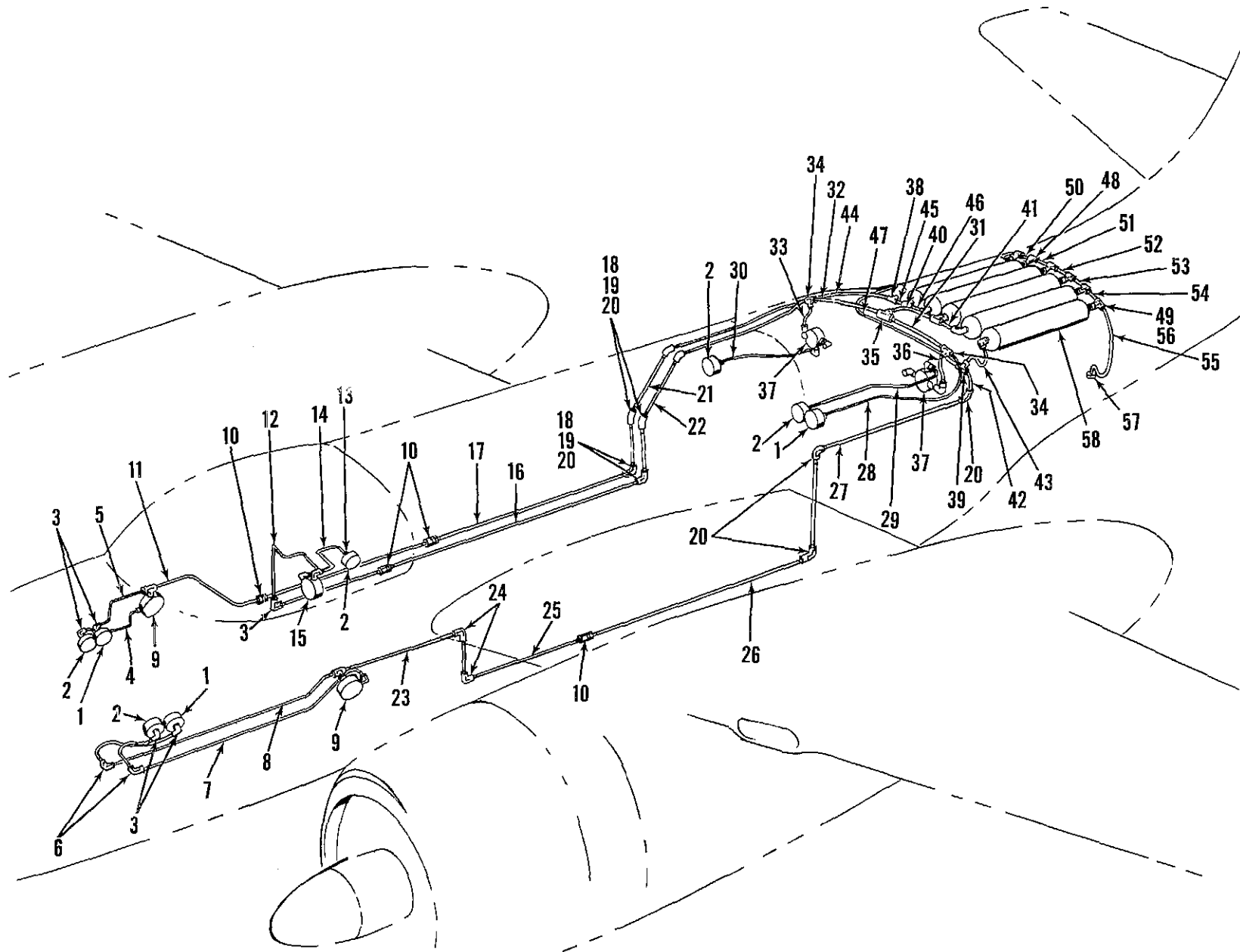


Figure 30. Oxygen System Installation

FIG. AND INDEX NO.	PART NUMBER	DESCRIPTION	UNITS PER ASSY	USABLE ON CODE		
					1	2
30-	26-9550-1	OXYGEN SYSTEM INSTL (For NHA see fig. 4)	REF			
-1	AN6021-1B	. GAGE, Panel mounting, low pressure oxygen (for details see T.O. 15X3-2-2-13)	3			
-2	AN6029-1A	. INDICATOR, Oxygen flow (for details see T.O. 15X4-2-2-1)	5			
-3	MS20822-5D	. ELBOW	10			
-4	26-9550-20	. TUBE ASSY, Metal	1			
-5	26-9550-19	. TUBE ASSY, Metal	1			
	AN818-5D	. . NUT	2			
	MS20819-5D	. . SLEEVE	2			
-6	AN821-5D	. ELBOW	16			
-7	26-9550-16	. TUBE ASSY, Metal	1			
-8	26-9550-17	. TUBE ASSY, Metal	1			
	AN818-5D	. . NUT	2			
	MS20819-5D	. . SLEEVE	2			
-9	26-9550-81	. REGULATOR INSTL, Pilot and co-pilot's oxygen (for details see fig. 31)	NP			
-10	AN815-5D	. UNION	9			
-11	26-9550-60	. TUBE ASSY, Metal	1			
-12	26-9550-59	. TUBE ASSY, Metal	1			
	AN818-5D	. . NUT	2			
	MS20819-5D	. . SLEEVE	2			
-13	AN816-5D	. NIPPLE	1			
-14	26-9550-15	. TUBE ASSY, Metal	1			
	AN818-5D	. . NUT	2			
	MS20819-5D	. . SLEEVE	2			
-15	26-9550-82	. REGULATOR INSTL, Navigator's oxygen (for details see fig. 31)	NP			
-16	26-9550-58	. TUBE ASSY, Metal	1			
-17	26-9550-57	. TUBE ASSY, Metal	1			
	AN818-5D	. . NUT	2			
	MS20819-5D	. . SLEEVE	2			
-18	AN924-5D	. NUT	7			
-19	AN960-816	. WASHER	7			
-20	AN837-5D	. ELBOW	6			
-21	26-9550-13	. TUBE ASSY, Metal	1			
-22	26-9550-14	. TUBE ASSY, Metal	1			
-23	26-9550-62	. TUBE ASSY, Metal	1			
	AN818-5D	. . NUT	2			
	MS20819-5D	. . SLEEVE	2			
-24	AN833-5D	. ELBOW	5			
-25	26-9550-9	. TUBE ASSY, Metal	1			
-26	26-9550-61	. TUBE ASSY, Metal	1			
-27	26-9550-63	. TUBE ASSY, Metal	1			
-28	26-9550-10	. TUBE ASSY, Metal	1			
-29	26-9550-11	. TUBE ASSY, Metal	1			
-30	26-9550-12	. TUBE ASSY, Metal	1			
-31	26-9550-40	. TUBE ASSY, Metal	1			
-32	26-9550-41	. TUBE ASSY, Metal	1			
-33	26-9550-42	. TUBE ASSY, Metal	1			
	AN818-5D	. . NUT	2			
	MS20819-5D	. . SLEEVE	2			
-34	MS20826-5D	. TEE	5			
-35	AN834-5D	. TEE	1			
-36	26-9550-43	. TUBE ASSY, Metal	1			
	AN818-5D	. . NUT	2			
	MS20819-5D	. . SLEEVE	2			
-37	26-9550-80	. REGULATOR INSTL, Aft compartment (for details see fig. 31)	NP			
-38	MS20825-5D	. TEE	6			
-39	AN6033-1	. VALVE, Low pressure oxygen check (style D)	1			
-40	26-9550-44	. TUBE ASSY, Metal	1			
-41	26-9550-45	. TUBE ASSY, Metal	1			
-42	26-9550-46	. TUBE ASSY, Metal	1			
-43	26-9550-47	. TUBE ASSY, Metal	1			
-44	26-9550-48	. TUBE ASSY, Metal	1			

Section II
Group Assembly Parts List

T.O. 1B-26K-4

FIG. AND INDEX NO.	PART NUMBER	DESCRIPTION	UNITS PER ASSY	USABLE ON CODE
30-45	26-9550-49	. TUBE ASSY, Metal	1	
-46	26-9550-50	. TUBE ASSY, Metal	1	
-47	26-9550-51	. TUBE ASSY, Metal		
	AN818-5D	. . NUT	2	
	MS20819-5D	. . SLEEVE	2	
-48	AN6032-1	. VALVE, Low pressure oxygen check (style C)	5	
-49	AN6037-1	. VALVE, Low pressure oxygen check (style H)	1	
-50	26-9550-52	. TUBE ASSY, Metal	1	
-51	26-9550-53	. TUBE ASSY, Metal	1	
-52	26-9550-54	. TUBE ASSY, Metal	1	
-53	26-9550-55	. TUBE ASSY, Metal	1	
-54	26-9550-56	. TUBE ASSY, Metal	1	
-55	26-9550-28	. TUBE ASSY, Metal	1	
	AN818-5D	. . NUT	2	
	MS20819-5D	. . SLEEVE	2	
-56	AN912-1D	. BUSHING	12	
-57	26-9550-84	. FILLER VALVE INSTL, Oxygen (for details see fig. 32)	1	
-58	26-9550-83	. CYLINDER INSTL, Oxygen (for details see fig. 32)	1	

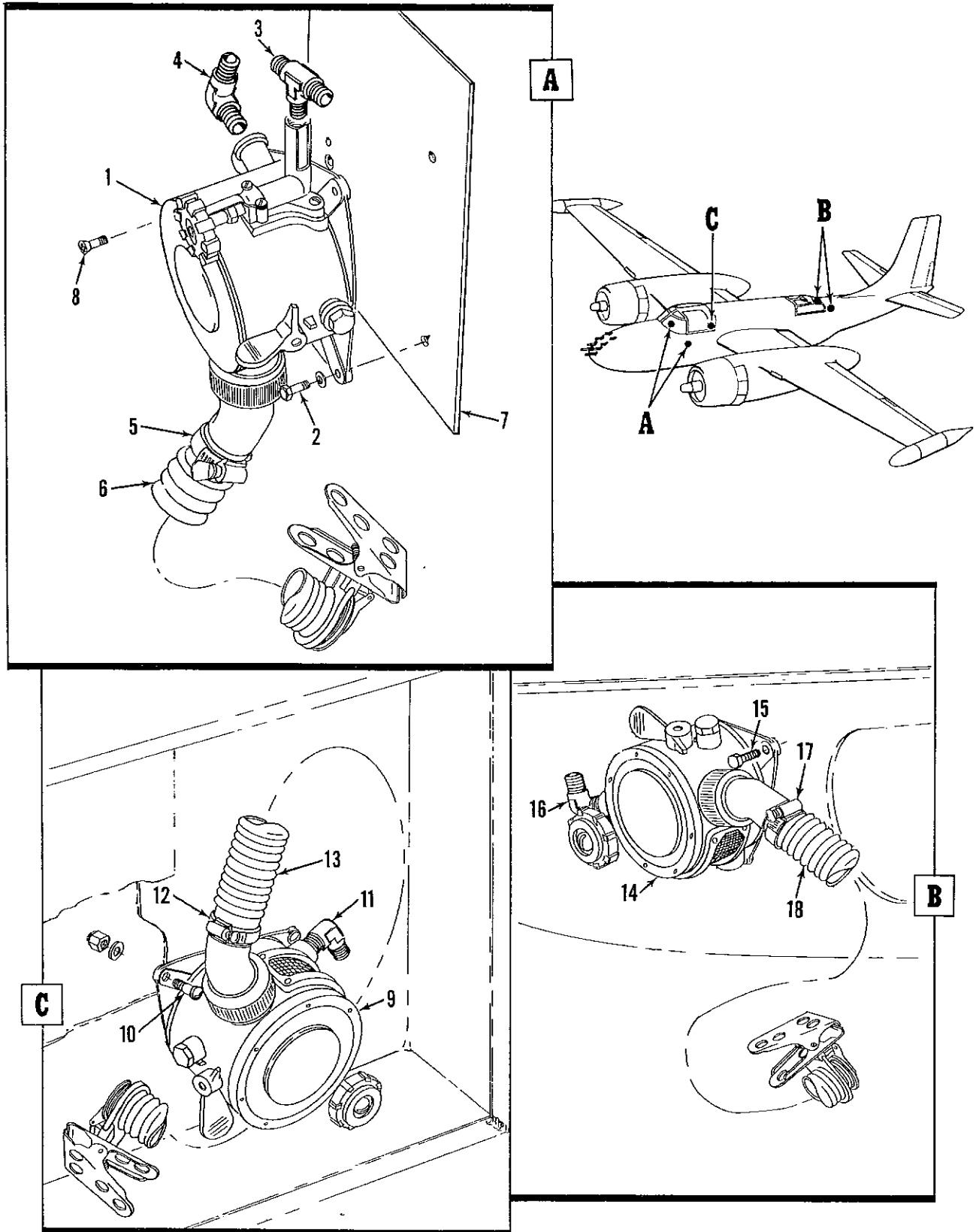


Figure 31. Oxygen System Regulators

Section II
Group Assembly Parts List

T.O. 1B-26K-4

FIG. AND INDEX NO.	PART NUMBER	DESCRIPTION	UNITS PER ASSY	USABLE ON CODE
31-	26-9550-81	OXYGEN SYSTEM REGULATORS REGULATOR INSTL, Pilot's and co-pilot's oxygen (for NHA see fig. 30)	REF	
-1	AN6004-1	REGULATOR, Diluter demand oxygen (for details see T.O. 15X6-3-2-24) (ATTACHING PARTS)	2	
-2	AN3-6	BOLT, Machine -----*	6	
-3	MS20825-5D	TEE	2	
-4	MS20822-5D	ELBOW	2	
-5	AN737TW34-38	CLAMP	2	
-6	AN6003-4A	HOSE ASSY	2	
-7	52SCC572	PANEL ASSY, Oxygen regulator (18355) (ATTACHING PARTS)	2	
	A6049-8	NUT, Self-locking, hexagon (78553)	4	
	AN960-8	WASHER	4	
-8	AN504-8-8	SCREW -----*	4	
	26-9550-82	REGULATOR INSTL, Navigator's oxygen (for NHA see fig. 30)	REF	
-9	AN6004-1	REGULATOR, Diluter demand oxygen (for details see T.O. 15X6-3-2-24) (ATTACHING PARTS)	1	
	MS20365-1032	NUT	3	
	AN960-10	WASHER	3	
-10	AN526-1032-8	SCREW -----*	3	
-11	MS20822-5D	ELBOW	2	
-12	AN737TW34-38	CLAMP	1	
-13	AN6003-4A	HOSE ASSY	1	
	26-9550-80	REGULATOR INSTL, Aft compartment (for NHA see fig. 30)	REF	
-14	AN6004-1	REGULATOR (ATTACHING PARTS)	2	
	MS20365-1032	NUT	6	
	AN960D10	WASHER	6	
-15	AN3-11A	BOLT -----*	6	
-16	MS20822-5D	ELBOW	2	
-17	AN737TW34-38	CLAMP	2	
-18	AN6003-4A	HOSE ASSY	2	

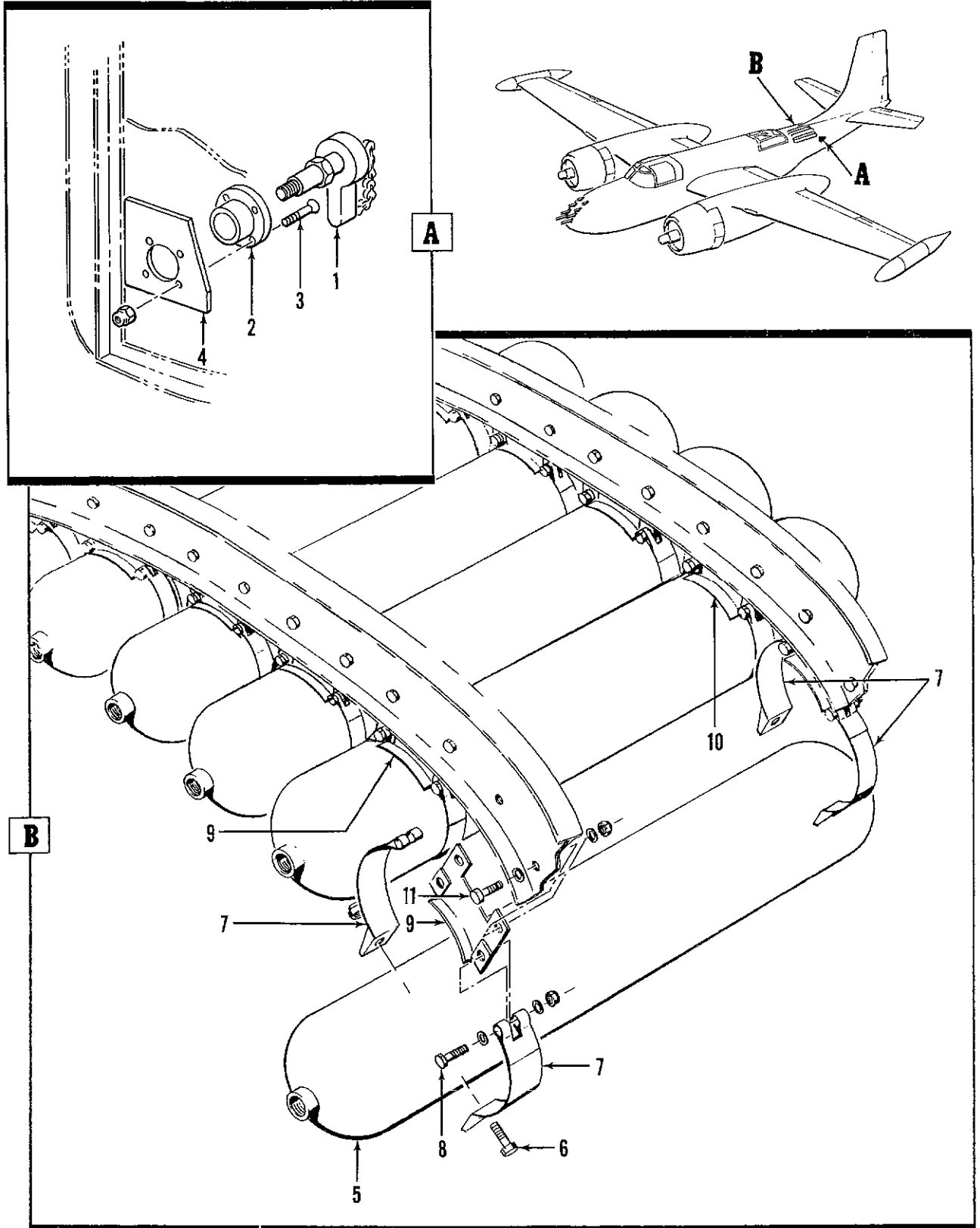


Figure 32. Oxygen System Filler Valve Installations

Section II
Group Assembly Parts List

T.O. 1B-26K-4

FIG. AND INDEX NO.	PART NUMBER	DESCRIPTION 1 2 3 4 5 6 7	UNITS PER ASSY	USABLE ON CODE
32-		OXYGEN SYSTEM FILLER VALVE AND CYLINDER INSTALLATIONS		
-1	26-9550-84	. VALVE INSTL, Oxygen (for NHA see fig. 30)	REF	
	AN6041-1	. . VALVE, Recharger, portable oxygen	1	
-2	41A5317	. . FLANGE, Oxygen filler valve (18355)	1	
		(ATTACHING PARTS)		
	MS20365-1032	. . NUT	4	
-3	AN510-10-8	. . SCREW	4	
		-----*		
-4	51SCB1581	. . DOUBLER, Oxygen filler valve (18355)	1	
	26-9550-83	. CYLINDER INSTL, Oxygen (for NHA see fig. 30)	REF	
-5	NO NUMBER	. . CYLINDER, Oxygen, type F2 (MIL-C-5889)	6	
		(GFE) (for details see T.O. 15X1-2-1-31)		
		(ATTACHING PARTS)		
	MS20365-1032	. . NUT	12	
-6	NAS221-21	. . BOLT	12	
		-----*		
-7	44D252-6	. . STRAP, Oxygen cylinder (18355)	24	
		(ATTACHING PARTS)		
	MS20365-1032	. . NUT	24	
	AN960-10	. . WASHER	48	
-8	AN3-12	. . BOLT	24	
		-----*		
-9	48B6657-1	. . BRACKET, Oxygen cylinder, fwd (18355)	6	
-10	48B6657-2	. . BRACKET, Oxygen cylinder, aft (18355)	6	
		(ATTACHING PARTS FOR ITEMS 9 AND 10)		
	MS20365-1032	. . NUT	24	
	AN960-10	. . WASHER	24	
-11	AN3-3A	. . BOLT	24	
		-----*		

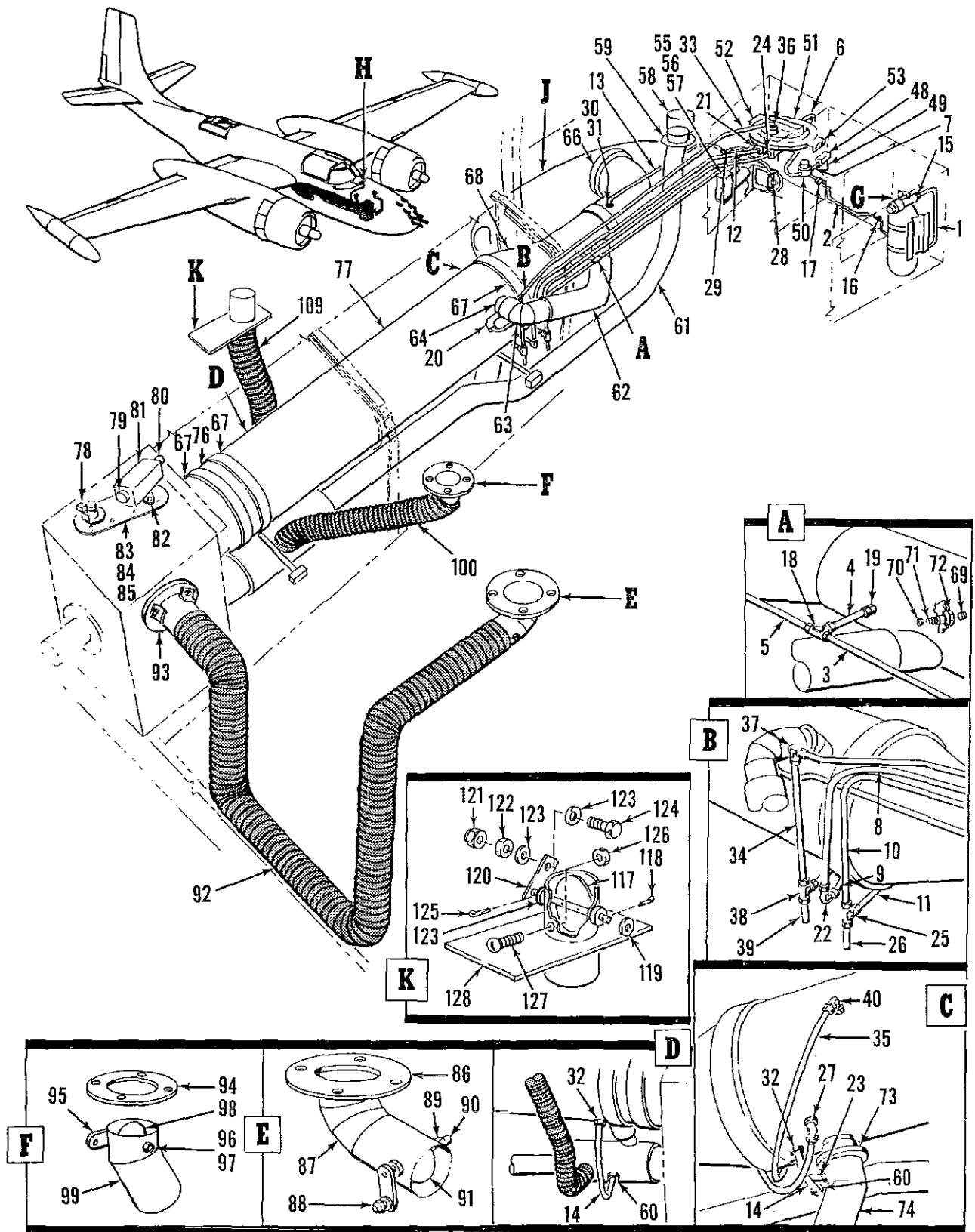


Figure 33. B26K Heater Installation (Sheet 1 of 2)

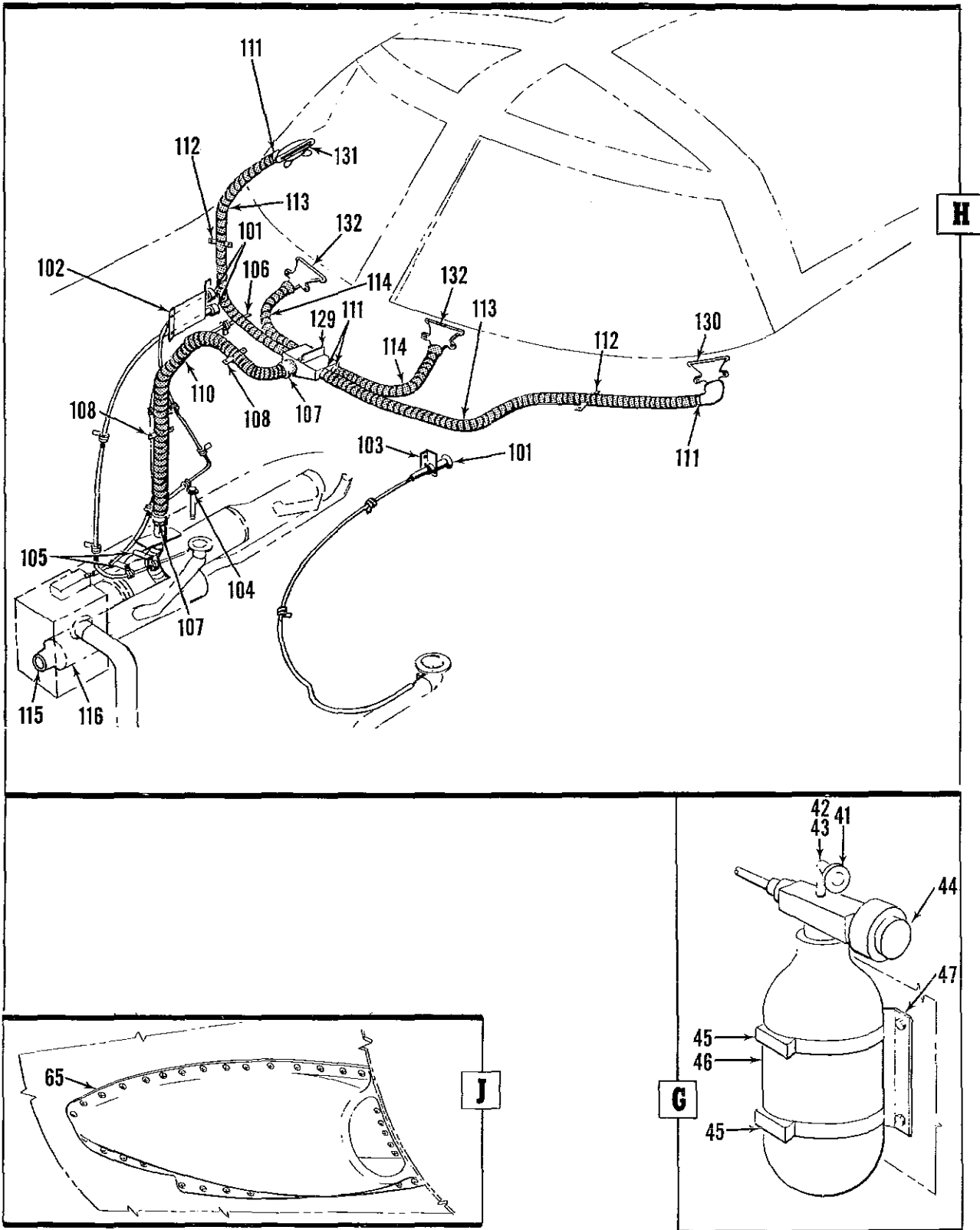


Figure 33. B26K Heater Installation (Sheet 2 of 2)

FIG. AND INDEX NO.	PART NUMBER	DESCRIPTION	UNITS PER ASSY	USABLE ON CODE
33-	26-9242	HEATER INSTL, B26K (for NHA see fig. 4)	REF	
-1	26-9242-30	. TUBE ASSY, Heater	1	
-2	26-9242-34	. TUBE ASSY, Heater	1	
-3	26-9242-35	. TUBE ASSY, Heater	1	
-4	26-9242-36	. TUBE ASSY, Heater	1	
-5	26-9242-37	. TUBE ASSY, Heater	1	
-6	26-9242-25	. TUBE ASSY, Heater	1	
-7	26-9242-38	. TUBE ASSY, Heater	1	
-8	26-9242-23	. TUBE ASSY, Heater	1	
-9	26-9242-41	. TUBE ASSY, Heater	1	
-10	26-9242-24	. TUBE ASSY, Heater	1	
-11	26-9242-42	. TUBE ASSY, Heater	1	
-12	26-9242-32	. TUBE ASSY, Heater	1	
-13	26-9242-43	. TUBE ASSY, Heater	1	
-14	26-9242-31	. TUBE ASSY, Heater	2	
	AN818-4D	. NUT	2	
	MS20819-4D	. SLEEVE	2	
-15	AN894D8-4	. BUSHING	1	
-16	AN833-4D	. ELBOW	1	
	AN924-4D	. NUT	1	
-17	AN832-4D	. UNION	1	
	AN924-4D	. NUT	1	
-18	AN824-4D	. TEE	1	
-19	AN832-4	. UNION	1	
	AN924-4	. NUT	1	
-20	MS20822-4	. ELBOW	1	
-21	AN816-4D	. NIPPLE	1	
-22	AN833-4	. ELBOW	1	
	AN924-4	. NUT	1	
-23	AN816-4	. NIPPLE	1	
-24	AN816-4	. NIPPLE	1	
-25	AN834-4D	. TEE	1	
	AN924-4D	. NUT	1	
-26	26-9242-20	. WATER TRAP	1	
-27	MS20822-4	. ELBOW	1	
-28	MS20822-4D	. ELBOW	1	
-29	AN837-4D	. ELBOW	1	
	AN924-4D	. NUT	1	
-30	MS20822-4D	. ELBOW	1	
-31	AN867-1D	. FLANGE	1	
-32	AN816-4	. NIPPLE	2	
-33	26-9242-22	. TUBE ASSY, Heater	1	
-34	26-9242-39	. TUBE ASSY, Heater	1	
-35	26-9242-40	. TUBE ASSY, Heater	1	
	AN818-6D	. NUT	2	
	MS20819-6D	. SLEEVE	2	
-36	MS20822-6D	. ELBOW	1	
-37	AN826-6	. TEE	1	
-38	AN834-6D	. TEE	1	
	AN924-6D	. NUT	1	
-39	26-9242-21	. WATER TRAP	1	
-40	MS20822-6	. ELBOW	1	
-41	922315	. GAGE, Pressure, dial indicating (97876)	1	
-42	AN939-4D	. ELBOW	1	
-43	AN816-4D	. NIPPLE	1	
-44	966125	. HEAD (97876)	1	
-45	MS21920-30	. CLAMP	1	
-46	870037	. BOTTLE, Carbon di-oxide (97876)	1	
-47	26-9242-15	. BRACKET	1	
-48	450	. FILTER, Fluid pressure (81978)	1	
-49	26-9242-17	. SPACER	2	
-50	G104A4CA2	. SOLENOID (91929)	1	
-51	B54A20	. REGULATOR, Fluid pressure (89513) (for details see T.O. 15H1-2-10-4)	1	
-52	26-9242-13	. BRACKET	1	
-53	26-9242-14	. BRACKET	1	

Section II
Group Assembly Parts List

T.O. 1B-26K-4

FIG. AND INDEX NO.	PART NUMBER	DESCRIPTION	UNITS PER ASSY	USABLE ON CODE
33-54	PG208ASI	. SWITCH, Ram air (40931)	1	
-55	R29C09	. LEAD, Electric (89513)	1	
-56	26-2681	. IGNITION UNIT ASSY, Heater, sta 90 (altered from 61A78 (89513))	1	
	MS35489-5-9	. . GROMMET	1	
-57	26-9242-12	. SPACER	1	
-58	26-9516	. OUTLET, Foot heat, jump seat	1	
-59	26-9520	. DUCT, Heater elbow, jump seat	1	
-60	MS35489-4-7	. GROMMET	2	
-61	26-9242-44	. HOSE	1	
-62	26-9242-45	. HOSE	1	
-63	26-9242-18	. DUCT, Combustion air	1	
-64	26-9264-1	. INLET, Combustion air (altered from 26-9263)	1	
-65	3206506	. SCOOP (18355)	1	
-66	3207332	. DUCT (18355)	1	
-67	40A50	. CLAMP (89513)	3	
-68	26-9523-1	. DUCT ASSY, Heater sta 49 to 57	1	
-69	26-9523-7	. . SCREW (altered from AN520UB10-4)	1	
-70	AN924-4D	. . NUT	1	
-71	26-9523-5	. . UNION (altered from AN832-4)	1	
-72	AN960D716	. . WASHER	1	
-73	09C33	. CLAMP (89513)	1	
-74	26-9242-47	. DUCT ASSY	1	
-75	L05C12	. FLANGE ()	1	
-76	26-9533-1	. SPACER, Heater system, sta 15, RH side	1	
-77	48A63M	. HEATER, Duct type, stationary (89513) (T. O. pending)	1	
		. PARTIAL BREAKDOWN FOLLOWS		
	54A35	. . SPARK PLUG (89513)	1	
	51A05	. . ELECTRODE, Ground (89513)	1	
	56A14	. . WASHER (89513)	1	
	51A66	. . GASKET (89513)	1	
	M36A47	. . TIP ASSY (89513)	1	
	58A73	. . HOLDER, Nozzle (89513)	1	
	51A33	. . HEAD (89513)	1	
	520A02	. . GASKET (89513)	1	
-78	56A80	. SWITCH (89513)	1	
-79	26-9242-1	. PLUG	1	
-80	FYLD342-22	. CABLE (05624)	1	
-81	FYLD4060	. THERMOSTAT (05264)	1	
-82	FYLD317	. FLANGE (05264)	1	
-83	2205340	. RING (18355)	1	
-84	26-9527-1	. FLANGE, Plenum chamber, sta 5	1	
-85	26-9526-1	. SPACER, Outlet, plenum chamber, sta 5	1	
-86	26-9242-10	. PLATE	1	
-87	26-9242-2	. VALVE ASSY, Heater	1	
-88	26-9242-7	. . ARM	1	
-89	26-9242-8	. . BUSHING	2	
-90	26-9242-6	. . SHAFT	1	
-91	26-9242-5	. . GATE	1	
-92	26-9242-19	. HOSE	1	
-93	26-9528-1	. OUTLET ASSY, Plenum chamber, sta 5	1	
-94	26-9242-11	. PLATE	1	
-95	26-9242-7	. ARM	1	
-96	26-9242-8	. BUSHING	2	
-97	26-9242-6	. SHAFT	1	
-98	26-9242-9	. GATE	1	
-99	26-9242-46	. DUCT	1	
-100	26-9242-33	. HOSE	1	
	26-9543-1	. DEFROSTER SYSTEM, Windshield	1	
-101	8356	. . CONTROL ASSY (81724)	3	
-102	26-9541-1	. . BRACKET, Heater control, sta 33, RH side (ATTACHING PARTS)	1	
	AN526-832R8	. . SCREW	4	
	AN960-8	. . WASHER	4	
	-----*			
-103	26-9543-3	. . BRACKET	1	

FIG. AND INDEX NO.	PART NUMBER	DESCRIPTION	UNITS PER ASSY	USABLE ON CODE
33-		(ATTACHING PARTS)		
	AN526-832R8	SCREW	2	
	AN960-8	WASHER	2	
		-----*-----		
-104	26-9543-4	SPACER	1	
-105	26-9543-5	SPACER	2	
-106	FYLD243-22	CABLE ASSY (05624)	1	
-107	AN737TW74-91	CLAMP	4	
-108	MS821919	CLAMP	2	
-109	26-9543-6	HOSE	1	
-110	26-9543-7	HOSE	1	
-111	AN737TW44-48	CLAMP	8	
-112	MS21919DG22	CLIP	2	
-113	26-9543-8	HOSE	1	
-114	26-9543-9	HOSE	1	
-115	2205344	RING (18355)	1	
-116	26-9529-1	MANIFOLD, Windshield defroster	1	
	26-9524-1	VALVE ASSY, Butterfly, windshield defroster	1	
-117	26-9524-3	BUTTERFLY	1	
		(ATTACHING PARTS)		
	AN503-6-6	SCREW	2	
		-----*-----		
-118	MS24665-2-2	PIN, Cotter	2	
-119	AN960-416L	WASHER	1	
-120	26-9511-1	BUTTERFLY ASSY, Windshield defroster	1	
-121	MS20365-4	NUT	1	
-122	AN316-4R	NUT	1	
-123	AN960-416L	WASHER	3	
-124	26-9511-7	BOLT (altered from AN4-5)	1	
-125	MS24665-2-2	PIN, Cotter	1	
-126	MS27151-1032	NUT	1	
-127	AN526-10-16	SCREW	1	
-128	26-9508-1	BRACKET ASSY, Butterfly valve, windshield defroster	1	
-129	26-9268-1	MANIFOLD ASSY, Defroster system	1	
-130	26-9510-1	DUCT, Windshield defrost (LH)	1	
-131	26-9510-2	DUCT, Windshield defrost (RH)	1	
-132	26-9509-1	DUCT, Windshield defrost	2	

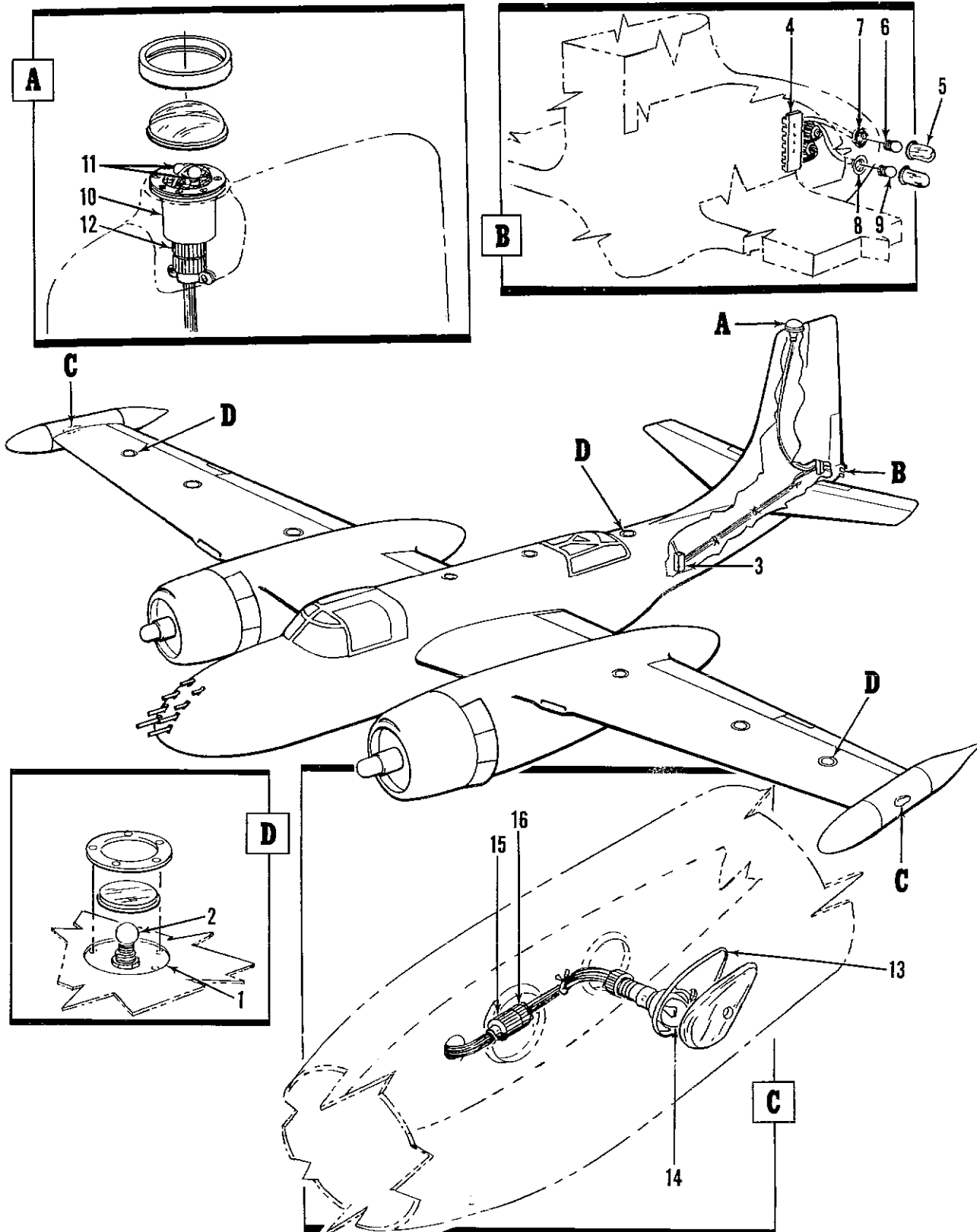


Figure 34. Navigation, Formation and Rotating Beacon Exterior Lights Installation

FIG. AND INDEX NO.	PART NUMBER	DESCRIPTION	UNITS PER ASSY	USABLE ON CODE
34-	26-2101-1	EXTERIOR LIGHTS INSTL, Navigation, formation and rotating beacon . . (for NHA see fig. 2)	REF	
-1	AN3030-5A	. LIGHT ASSY	9	
	FHZ4X3-4	. (ATTACHING PARTS) . SCREW (45722)	45	
		-----*		
-2	MS25231-313	. LAMP	1	
-3	MS25123-1-10	. TERMINAL BOARD	1	
-4	MS25123-1-5	. TERMINAL BOARD	1	
-5	A1258-9	. LENSE, Aircraft navigational light amber (ATTACHING PARTS)	2	
	AN515-4-6	. SCREW	4	
	AN936A4	. WASHER	4	
		-----*		
-6	MS25231-313	. LAMP	2	
-7	AN3092-3	. LIGHT ASSY (Without lamp and cover) (ATTACHING PARTS)	2	
	AN515-4R8	. SCREW	4	
		-----*		
-8	AN3092-2	. LIGHT ASSY (With lamp and cover) (ATTACHING PARTS)	2	
	AN515-4R8	. SCREW	4	
		-----*		
-9	MS25231-313	. LAMP	1	
-10	40600-1	. LAMP ASSY (72914) (ATTACHING PARTS)	1	
	NAS221-9	. SCREW	8	
		-----*		
-11	A7079B-24	. LAMP, Incandescent (72914)	2	
-12	MS3106B10SL3S	. CONNECTOR	1	
-13	44A18454-2	. LIGHT ASSY, Tip tank red LH	1	
	44A18454-3	. LIGHT ASSY, Tip tank green RH	1	
-14	A7512-24	. LAMP, Incandescent (72914)	2	
-15	MS3106B18-9P	. CONNECTOR	2	
-16	MS3100A 18-9S	. CONNECTOR	2	

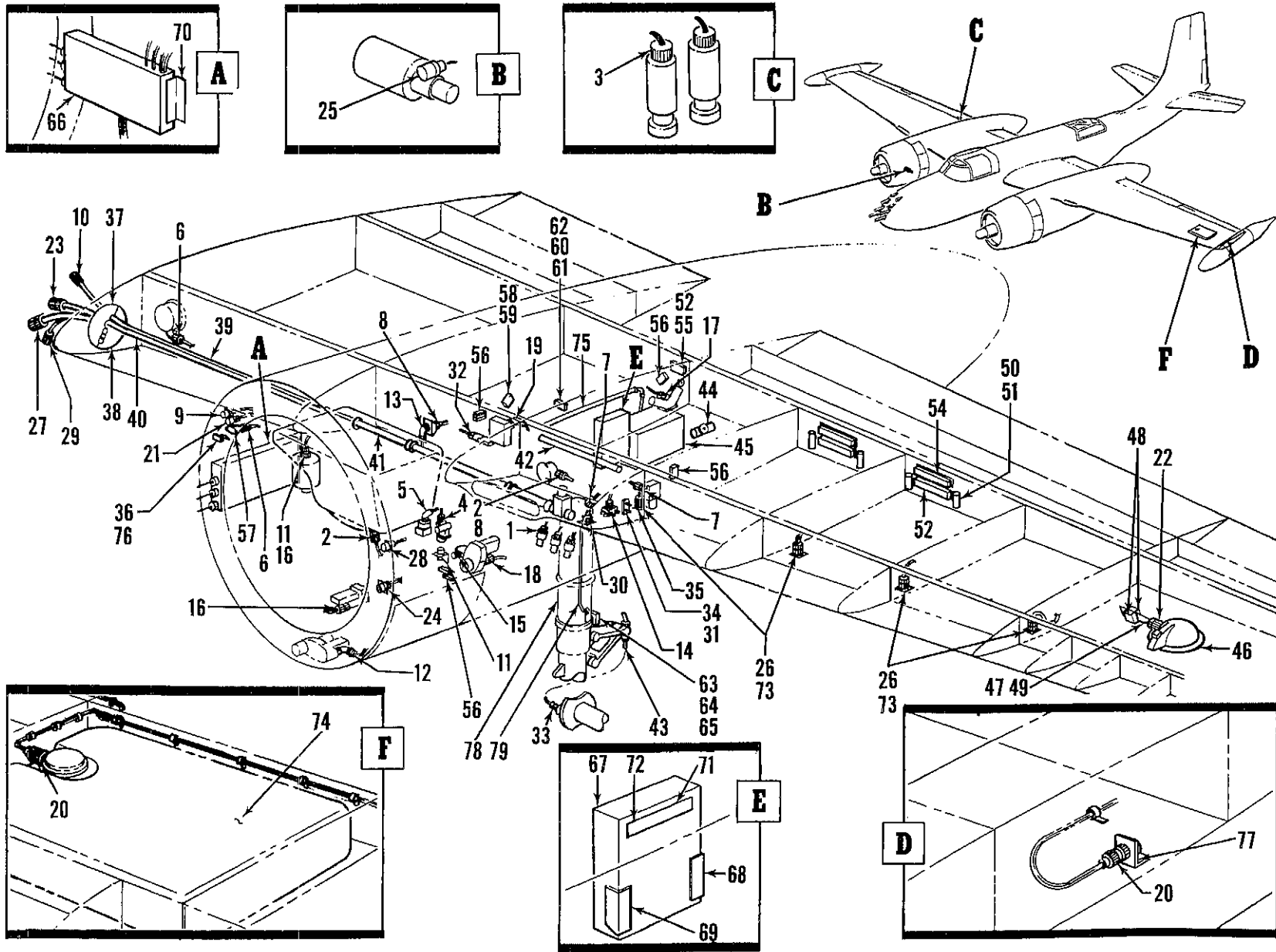


Figure 35. LH and RH Wing Electrical Installation

FIG. AND INDEX NO.	PART NUMBER	DESCRIPTION 1 2 3 4 5 6 7	UNITS PER ASSY	USABLE ON CODE
35-	26-2001-1	ELECTRICAL INSTL, LH wing (for NHA see fig. 3)	REF	
	26-2001-2	ELECTRICAL INSTL, RH wing (for NHA see fig. 3)	REF	
-1	MS3106B10SL3S	. CONNECTOR	3	
-2	MS3106B12S3S	. CONNECTOR	2	
-3	MS3106B10S2S	. CONNECTOR (RH only)	2	
-4	MS3106B12S5S	. CONNECTOR	1	
-5	MS3108B10SL4S	. CONNECTOR (RH only)	1	
-6	MS3108B12S3S	. CONNECTOR	2	
-7	MS3108B12S5S	. CONNECTOR	2	
-8	MS3100A14S6S	. CONNECTOR (ATTACHING PARTS)	1	
	MS20365-440	. NUT	4	
	AN515-4R6	. SCREW	4	
		-----*-----		
-9	MS3100A14S9S	. CONNECTOR (ATTACHING PARTS)	1	
	MS20365-440	. NUT	4	
	AN960-4	. WASHER	4	
	AN515-4R10	. SCREW	4	
		-----*-----		
-10	MS3106B14S9P	. CONNECTOR	2	
-11	MS3108B14S2S	. CONNECTOR	1	
-12	MS3108B14S5S	. CONNECTOR	1	
-13	MS3108B14S6P	. CONNECTOR	1	
-14	MS3108B14S7S	. CONNECTOR	1	
-15	MS3106B16S4S	. CONNECTOR	1	
-16	MS3106B16S8S	. CONNECTOR	1	
-17	MS3106B16-10S	. CONNECTOR	1	
-18	MS3108B16S8S	. CONNECTOR	1	
-19	MS3108B16-10S	. CONNECTOR	1	
-20	MS3100A18-9S	. CONNECTOR (ATTACHING PARTS)	2	
	MS20365-440A	. NUT	8	
	AN960-4	. WASHER	8	
	AN515-4R10	. SCREW	8	
		-----*-----		
-21	MS3100A18-10S	. CONNECTOR (ATTACHING PARTS)	1	
	MS20365-440	. NUT	4	
	AN960-4	. WASHER	4	
	AN515-4R10	. SCREW	4	
		-----*-----		
-22	MS3106B18-5S	. CONNECTOR	1	
-23	MS3106B18-10P	. CONNECTOR	1	
-24	MS3100B20-27S	. CONNECTOR (ATTACHING PARTS)	1	
	MS20365-440	. NUT	4	
	AN515-4R6	. SCREW	4	
		-----*-----		
-25	MS3106B20-2S	. CONNECTOR (RH only)	1	
-26	MS3100A28-20S	. CONNECTOR (ATTACHING PARTS)	4	
	MS20365-632	. NUT	16	
	AN960-6	. WASHER	16	
	AN507-6R10	. SCREW	16	
		-----*-----		
-27	MS3106E28-21P	. CONNECTOR	1	
-28	MS3100A32-6S	. CONNECTOR (ATTACHING PARTS)	1	
	MS20365-440	. NUT	4	
	AN515-4R6	. SCREW	4	
		-----*-----		
-29	MS3106E32-7P	. CONNECTOR	1	
-30	MS3106B10S2S	. CONNECTOR	1	
-31	26-3705-1	. COVER, External power leads (LH only)	1	
-32	CA06F14S9S	. CONNECTOR, Plug, electrical (71468)	1	
-33	CA06F14S2S	. CONNECTOR, Plug, electrical (71468)	1	

Section II
Group Assembly Parts List

T.O. 1B-26K-4

FIG. AND INDEX NO.	PART NUMBER	DESCRIPTION	UNITS PER ASSY	USABLE ON CODE
35-34	AN2552-3A	. CONNECTOR (LH only) (ATTACHING PARTS)	1	
	AN960-10	. WASHER.	2	
	AN3-4	. BOLT. -----*-----	2	
-35	26-1573-1	. RETAINER, Pylon electrical disconnect (used on pylon 4 and 5 only). . (ATTACHING PARTS)	1	
	AN507-6R10	. SCREW.	4	
-36	AN5537-1	. CONNECTOR ASSY, Thermocouple lead. (ATTACHING PARTS)	1	
	MS20365-632	. NUT.	2	
	AN960-6	. WASHER.	2	
	AN515-6R8	. SCREW. -----*-----	2	
-37	26-2655-1	. SUPPORT, Wire, wing sta 40.	1	
-38	26-2655-3	. SUPPORT, Wire, wing sta 40. (ATTACHING PARTS)	1	
	A1778-8Z1	. NUT.	7	
	AN530-8R8	. SCREW. -----*-----	7	
-39	26-2653-5	. CONDUIT ASSY, Breeze (LH only)	1	
	26-2653-6	. CONDUIT ASSY, Breeze (RH only)	1	
-40	26-2653-3	. CONDUIT ASSY, Breeze (LH only)	1	
	26-2653-4	. CONDUIT ASSY, Breeze (RH only)	1	
-41	26-2522-1	. CONDUIT, Metal rigid	1	
-42	26-2522-1	. CONDUIT, Metal rigid	1	
-43	26-2653-1	. CONDUIT ASSY, Breeze (LH only)	1	
	26-2653-2	. CONDUIT ASSY, Breeze (RH only)	1	
-44	CA11751	. CONNECTOR, Plug, battery	1	
-45	5209457	. BATTERY INSTL, LH nacelle (18355) (LH only) (for details see. . . . fig. 36)	NP	
	5209457-1	. BATTERY INSTL, RH nacelle (18355) (RH only) (for details see. . . . fig. 36)	NP	
-46	AN3095-6A	. LIGHT ASSY, (For details see T. O. 8D10-2-3-14). (ATTACHING PARTS)	1	
	AN507-632-4	. SCREW. -----*-----	15	
-47	26-2656-1	. BRACKET ASSY, Capacitor, landing light (ATTACHING PARTS)	1	
	MS20365-832	. NUT.	2	
	AN526-8R6	. SCREW. -----*-----	2	
-48	1NA116 CAPACITOR, Filter (00656). (ATTACHING PARTS)	2	
	MS20365-832 NUT.	2	
	AN960-8 WASHER.	4	
	AN520-8R8 SCREW. -----*-----	2	
-49	26-2656-3 BRACKET.	1	
-50	0400A	. RESISTOR, Fixed, wire wound, 5 OHM \pm 5%, 10W (44655)	4	
-51	26-2673-13	. SPACER, Micarta (make from 0.203 ID, 0.625 OD X 0.25 in. lg. linen) (ATTACHING PARTS)	8	
	MS20365-1032	. NUT	4	
	AN3-47	. BOLT -----*-----	4	
-52	MS17777-1S11	. COVER	4	
-53	MS17777-1S3	. COVER	1	
-54	MS25123-1-11	. TERMINAL BOARD	4	
-55	MS25123-1-3	. TERMINAL BOARD (ATTACHING PARTS)	1	
	AN515-6R8	. SCREW	10	
	LS605-16-1-2	. INSULATOR (03033) -----*-----	10	

FIG. AND INDEX NO.	PART NUMBER	DESCRIPTION	UNITS PER ASSY	USABLE ON CODE
35-56	1NA116	. CAPACITOR, Filter (00856)	7	
		(ATTACHING PARTS)		
	MS20341-6	. NUT	14	
	AN936A6	. WASHER	14	
	AN960-10	. WASHER	14	
	AN515-6R10	. SCREW	14	
		-----*		
-57	22005-4-A1	. TRANSMITTER, Water pressure (for details see T.O. 5P3-4-16-14) .	1	
		(ATTACHING PARTS)		
	MS20365-832	. NUT	2	
	AN960-8	. WASHER	2	
	AN515-8R8	. SCREW	2	
		-----*		
-58	5206193	. LATCH SWITCH INSTL, Main landing gear LH (position)	NP	
		(18355) (for details see fig. 36)		
	5206193-1	. LATCH SWITCH INSTL, Main landing gear RH (position)	NP	
		(18355) (for details see fig. 36)		
-59	MS25103-10	. SWITCH, Gear position	1	
		(ATTACHING PARTS)		
	MS20365-1032	. NUT	5	
	AN315-10	. NUT	1	
	AN960-8	. WASHER	6	
	AN936A10	. WASHER	2	
	NAS221-13	. SCREW	4	
	AN526-10R18	. SCREW	1	
	NAS42DD6-48	. SPACER	1	
		-----*		
-60	5127910	. LATCH SWITCH INSTL, Main landing gear LH (18355) (for details . .	NP	
		see fig. 36)		
	5127910-1	. LATCH SWITCH INSTL, Main landing gear RH (18355) (for details . .	NP	
		see fig. 36)		
-61	MS25026-1	. SWITCH	1	
		(ATTACHING PARTS)		
		. NUT	4	
		. WASHER	4	
		. SCREW	4	
		-----*		
-62	9-10831	. ACTUATOR (18355)	1	
-63	MS25026-1	. SWITCH, Strut	1	
		(ATTACHING PARTS)		
	MS20365-440A	. NUT	2	
	AN960-10L	. WASHER	2	
	AN3-4	. BOLT	2	
		-----*		
-64	H-LE-12	. HOUSING, Switch type N (91929)(LH only)	1	
	H-RE-12	. HOUSING, Switch type N (91929)(RH only)	1	
-65	1023500	. STUD, Actuator (18355)	1	
-66	26-2608-400	. JUNCTION BOX ASSY, LH nacelle firewall (LH only) (for details	1	
		see fig. 37)		
	26-2609-400	. JUNCTION BOX ASSY, RH nacelle firewall (RH only) (for details	1	
		see fig. 37)		
		(ATTACHING PARTS)		
	MS20365-428	. NUT	4	
	AN960-416	. WASHER	4	
	AN4-4A	. BOLT	4	
		-----*		
-67	26-2610-400	. JUNCTION BOX ASSY, LH wheel well (LH only) (for details see	1	
		fig. 38)		
	26-2611-400	. JUNCTION BOX ASSY, RH wheel well (RH only) (for details see	1	
		fig. 38)		
		(ATTACHING PARTS)		
	MS20364-1032A	. NUT	4	
	AN960-10	. WASHER	4	
	AN3-4A	. BOLT	4	
-68	26-2001-5	. BRACKET	1	

Section II
Group Assembly Parts List

T.O. 1B-26K-4

FIG. AND INDEX NO.	PART NUMBER	DESCRIPTION	UNITS PER ASSY	USABLE ON CODE
35-69 -70	26-2001-3	. BRACKET	1	
	26-2001-7	. BRACKET (ATTACHING PARTS)	1	
	MS20364-1032A	. NUT	6	
	AN526-10R6	. SCREW ----*----	6	
		. PLATE ASSY	1	
-71	26-2001-11	. . SPACER	1	
-72	26-2001-13	. . PLATE (ATTACHING PARTS)	1	
	AN509-8R5	. SCREW ----*----	8	
-73	2209-10	. CAP (71468)	4	
-74	2607-500	. STUD INSTL, Ground	AR	
	MS20365-1032	. . NUT	1	
	MS20341-10	. . NUT	1	
	AN960-10	. . WASHER	3	
	AN936A10	. . WASHER	2	
	AN526-10R18	. . SCREW	1	
-75	26-2747-1	. HOSE INSTL, Battery vent (LH only) (for details see fig. 36)	NP	
	26-2747-2	. HOSE INSTL, Battery vent (RH only) (for details see fig. 36)	NP	
-76	26-2677-1	. THERMOCOUPLE ASSY, LH	1	
	26-2678-1	. THERMOCOUPLE ASSY, RH	1	
	26-2677-3	. . WIRE, Thermocouple (LH only)	1	
	26-2678-3	. . WIRE, Thermocouple (RH only)	1	
	AN5537-1	. . CONNECTOR	1	
	HH105	. . SLEEVE (77763) (0.251 x 2.5)	2	
-77	26-2626-1	. BRACKET, Tip tank disconnect (ATTACHING PARTS)	1	
	MS20365D1032	. NUT	2	
	AN960D10	. WASHER	2	
	AN526DD1032R6	. SCREW ----*----	2	
-78	26-2627-1	. BRACKET, Receptacle, landing gear strut (drill on installation) (ATTACHING PARTS)	1	
	MS20365D1032	. NUT	4	
	AN960D10	. WASHER	4	
	AN526DD1032R6	. SCREW ----*----	4	
-79	26-2517-1	. CONDUIT ASSY, Main landing gear, disconnect, LH	1	
	26-2517-3	. CONDUIT ASSY, Main landing gear, disconnect, RH	1	

(THIS PAGE INTENTIONALLY LEFT BLANK)

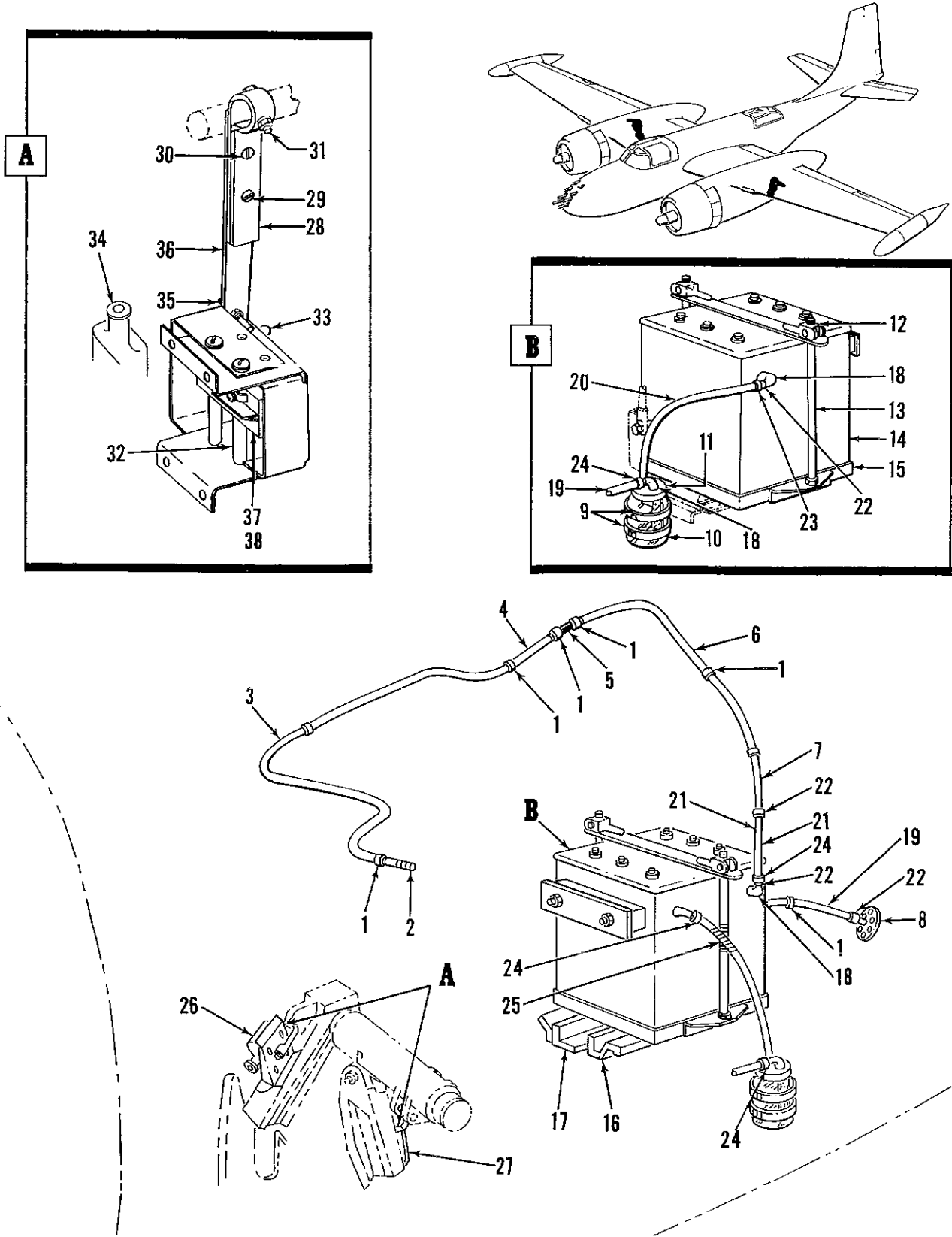


Figure 36. Battery, Hose and Latch Switch Installations (Sheet 1 of 2)

FIG. AND INDEX NO.	PART NUMBER	DESCRIPTION	UNITS PER ASSY	USABLE ON CODE
36-		BATTERY, HOSE AND LATCH SWITCH INSTALLATIONS		
	5209457	. BATTERY INSTL, LH nacelle (18355)	REF	
		(for NHA see fig. 35)		
	5209457-1	. BATTERY INSTAL RH nacelle (18355)	REF	
		(for NHA see fig. 35)		
-1	A3122-14-59	. . CLAMP (78553)	2	
-2	AN878-8-72	. . HOSE ASSY.	1	
-3	2209458-502	. . TUBE ASSY, Metal (18355)	1	
-4	2209458-506	. . TUBE ASSY, Metal (18355)	1	
-5	COML	. . HOSE, Rubber, 1/2 ID x 4 in long (MIL-H-6000)	1	
-6	2209458-508	. . TUBE ASSY, Metal (18355)	1	
-7	2209458-504	. . TUBE ASSY, Metal (18355)	1	
-8	1193851	. . OUTLET ASSY (18355)	1	
-9	A5934-51	. . CLAMP (78553)	2	
-10	COML	. . JAR, Mason, glass, 1 pint	1	
-11	S-4145399-3	. . COVER ASSY (18355)	1	
-12	5022-3	. . CLAMP ASSY (74144)	2	
-13	2209462	. . BOLT, Tie-down (18355)	2	
-14	AN3150-2	. . BATTERY	1	
-15	3209337	. . TRAY ASSY, Battery (18355)	1	
-16	2209459	. . SUPPORT, Outboard LH (18355)	1	
-17	2209459-1	. . SUPPORT, Outboard RH (18355)	1	
	26-2747-1	. HOSE INSTL, Battery vent (LH only)	1	
		(for NHA see fig. 35)		
	26-2747-2	. HOSE INSTL, Battery vent (RH only)	1	
		(for NHA see fig. 35)		
-18	9555	. . ELBOW (77138)	3	
-19	26-2747-3	. . TUBE (LH only)	1	
	26-2747-4	. . TUBE (RH only)	1	
-20	26-2747-5	. . TUBE (LH only)	1	
	26-2747-6	. . TUBE (RH only)	1	
-21	26-2747-7	. . TUBE (LH only)	1	
	26-2747-8	. . TUBE (RH only)	1	
-22	AN737TW30	. . CLAMP	8	
-23	A3122-12-179	. . CLAMP (78553) (LH only)	1	
	AN737TW30	. . CLAMP (RH only)	1	
-24	A3122-12-179	. . CLAMP (78553)	4	
-25	26-2747-9	. . LACING (RH only)	AR	
-26	5206193	. LATCH SWITCH INSTL, Main landing gear LH (position)	REF	
		(for NHA see fig. 35)		
	5206193-1	. LATCH SWITCH INSTL, Main landing gear RH (position)	REF	
		(for NHA see fig. 35)		
-27	5127910	. LATCH SWITCH INSTL, Main landing gear	REF	
		LH (for NHA see fig. 35)		
	5127910-1	. LATCH SWITCH INSTL, Main landing gear	REF	
		RH (for NHA see fig. 35)		
-28	2196502	. . CLAMP (18355)	1	
		(ATTACHING PARTS)		
	MS20364-1032	. . NUT.	2	
	AN960-10	. . WASHER.	3	
-29	AN507-1032R8	. . SCREW.	1	
-30	AN502-10-6	. . SCREW.	1	
-31	AN3-11A	. . BOLT.	1	
		-----*		
	4127502	. . SUPPORT ASSY, Main landing gear latch LH	1	
	4127502-1	. . SUPPORT ASSY, Main landing gear latch RH	1	
	2129304	. . SUPPORT LH	1	
	2129304-1	. . SUPPORT RH	1	
-32	MS25103-26	. . SWITCH (Used on 5206193 and -1 only).	1	
	BZP31	. . SWITCH (Used on 5127910 and -1 only).	1	
		(ATTACHING PARTS)		
	AN960D10	. . WASHER.	4	
	AN515-6-6	. . SCREW.	4	
		-----*		

Section II
Group Assembly Parts List

T.O. 1B-26K-4

FIG. AND INDEX NO.	PART NUMBER	DESCRIPTION	UNITS PER ASSY	USABLE ON CODE
36-33	2129241	. . . GUARD	1	
-34	1128910-2	. . . HANDLE	1	
	AN503-8-4	(ATTACHING PARTS) . . . SCREW	2	
	MS20365-1032	-----*----- . . . NUT	1	
	AN315-3R	. . . NUT	2	
	AN935-10	. . . WASHER	1	
-35	110242-3-12W	. . . BOLT (18355)	1	
	4206194	. . . SWITCH ASSY, Main landing gear (18355)	1	
-36	2196503	. . . SPRING, Main landing gear warning switch LH (18355) (LH only)	1	
	4196503-1	. . . SPRING ASSY, Main landing gear warning switch RH (18355) (RH only)	1	
-37	9-10831	. . . ACTUATOR, Type T (91929)	1	
-38	MS25026-1	. . . SWITCH	1	
	MS20365-1032	(ATTACHING PARTS) . . . NUT	1	
	2033900-4D49-023	. . . SPACER	1	
	2033900-4D49-007	. . . SPACER	1	
	AN515-6R-36	. . . SCREW	1	
		-----*-----		

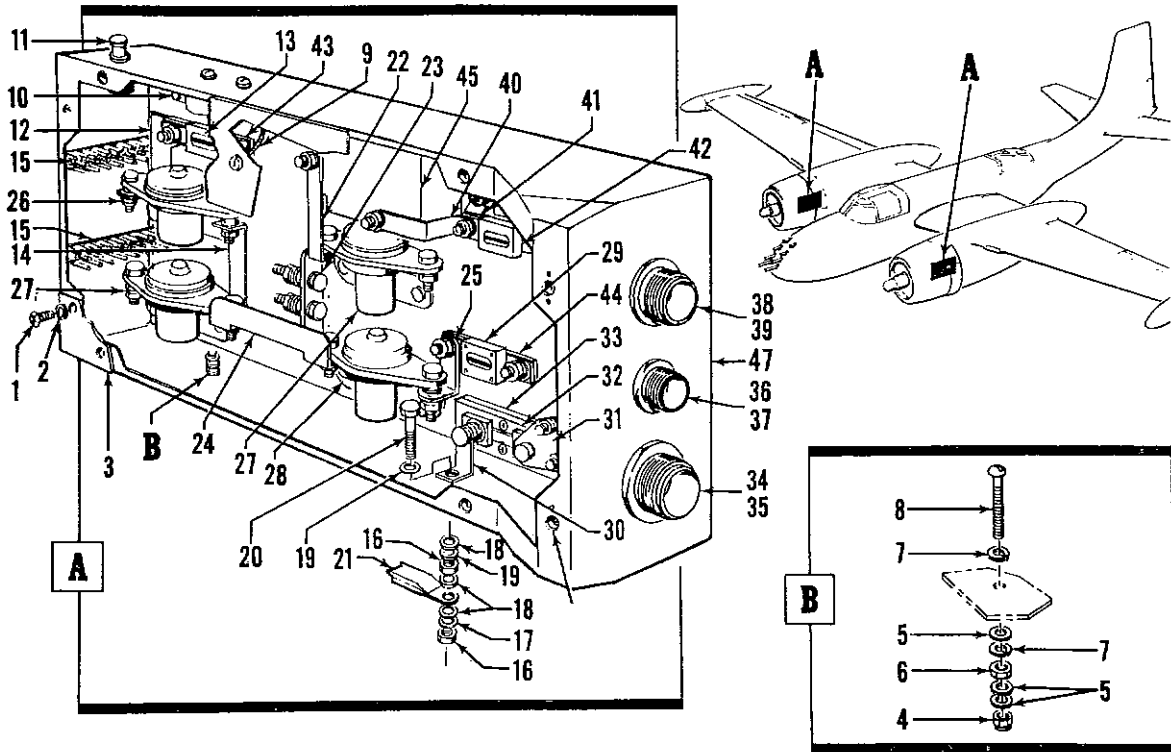


Figure 37. LH and RH Nacelle Junction Box Assemblies

FIG. AND INDEX NO.	PART NUMBER	DESCRIPTION	UNITS PER ASSY							USABLE ON CODE	
			1	2	3	4	5	6	7		
37-	26-2608-400	NACELLE JUNCTION BOX ASSEMBLIES, LH AND RH JUNCTION BOX ASSY, LH Nacelle firewall								REF	
	26-2609-400	JUNCTION BOX ASSY, RH Nacelle firewall								REF	
	26-2608-15	COVER ASSY.								2	
	-1 2600-3	STUD, Turnlock fastener (71286)								8	
	-2 2600LW	RETAINER, Turnlock fastener (71286)								8	
	-3 26-2608-13	COVER								2	
	2607-500	GROUND STUD INSTL								4	
	-4 MS20365-1032C	NUT								1	
	-5 AN960-10	WASHER								3	
	-6 MS20341-10	NUT								1	
	-7 AN936A10B	WASHER								2	
	-8 AN526-1032R16	SCREW								1	
	-9 26-2651-1	CORD ASSY								1	
	-10 AN3350-1	RELAY								1	
		(ATTACHING PARTS)									
	AN3-4A	BOLT								2	
	AN960-10	WASHER								2	
		-----*									
-11 MS25244-35	CIRCUIT BREAKER									1	
-12 26-2609-2	BUS BAR (RH only)									1	
-13 ANL150	FUSE CUTOFF, Primary expulsion (71400) (RH only)									1	
-14 26-2609-1	BUS BAR (RH only)									1	
-15 MS25123-1-8	TERMINAL BOARD									1	

Section II
Group Assembly Parts List

T.O. 1B-26K-4

FIG. AND INDEX NO.	PART NUMBER	DESCRIPTION	UNITS PER ASSY	USABLE ON CODE
37-		(ATTACHING PARTS)		
	MS20365-440	. . . NUT	2	
	AN507-440-4	. . . SCREW	2	
		-----*		
-16	MS20341-616	. . . NUT	2	
-17	AN935B616	. . . WASHER	2	
-18	AN960-616	. . . WASHER	3	
-19	AN936A616B	. . . WASHER	1	
-20	COML	. . . BOLT, Machine, brass, hex. hd, 3/8-24 UNF-2 by 1-1/4 in. LG.	5	
-21	740-40-32	. . . LEAD, Electrical (91812) (LH only).	1	
	740E4-32	. . . LEAD, Electrical (91812) (RH only).	1	
-22	26-2608-4	. . . BUS BAR	1	
-23	26-2608-3	. . . BUS BAR	1	
-24	26-2608-2	. . . BUS BAR	1	
-25	26-2608-1	. . . BUS BAR	1	
-26	6041H210	. . . RELAY, Armature (15605)(RH only)	1	
-27	6041H210A	. . . RELAY, Armature (15605)(LH only)	2	
	6041H210	. . . RELAY, Armature (15605)(RH only)	2	
-28	6041H212A	. . . RELAY, Armature (15605)(LH only)	1	
	6041H212	. . . RELAY, Armature (15605)(RH only)	1	
		(ATTACHING PARTS)		
	AN3-4A	. . . BOLT	8	
	AN960-10	. . . WASHER	8	
		-----*		
-29	ANL150	. . . FUSE CUTOFF, Primary expulsion (71400)	1	
-30	26-2608-8	. . . BUS BAR	1	
-31	26-2608-7	. . . BUS BAR	1	
-32	AN3200-300	. . . SHUNT	1	
		(ATTACHING PARTS)		
	NAS221-23	. . . SCREW	2	
		-----*		
-33	26-2608-10	. . . BLOCK	1	
-34	AN3066-20	. . . NUT	1	
-35	AN3064-20	. . . CONNECTOR	1	
-36	AN3066-12	. . . NUT	1	
-37	AN3064-12	. . . CONNECTOR	1	
-38	AN3066-16	. . . NUT	1	
-39	AN3064-16	. . . CONNECTOR	1	
-40	26-2608-5	. . . BUS BAR	1	
-41	26-2608-6	. . . BUS BAR	1	
-42	ANL175	. . . FUSE CUTOFF, Primary expulsion (71400)	3	
-43	4164	. . . BLOCK, Mounting (71400)(RH only)	1	
-44	4164	. . . BLOCK, Mounting (71400)	4	
		(ATTACHING PARTS)		
	AN509-10R13	. . . SCREW	10	
		-----*		
-45	AN3025-1	. . . RELAY	1	
		(ATTACHING PARTS)		
	AN3-4A	. . . BOLT	4	
	AN960-10	. . . WASHER	4	
		-----*		
-46	26-2608-11	. . . BOX ASSY.	1	
	212-12	. . . RECEPTACLE, Tamlock fastener (71286)	8	
-47	26-2608-9	. . . BOX (LH only)	1	

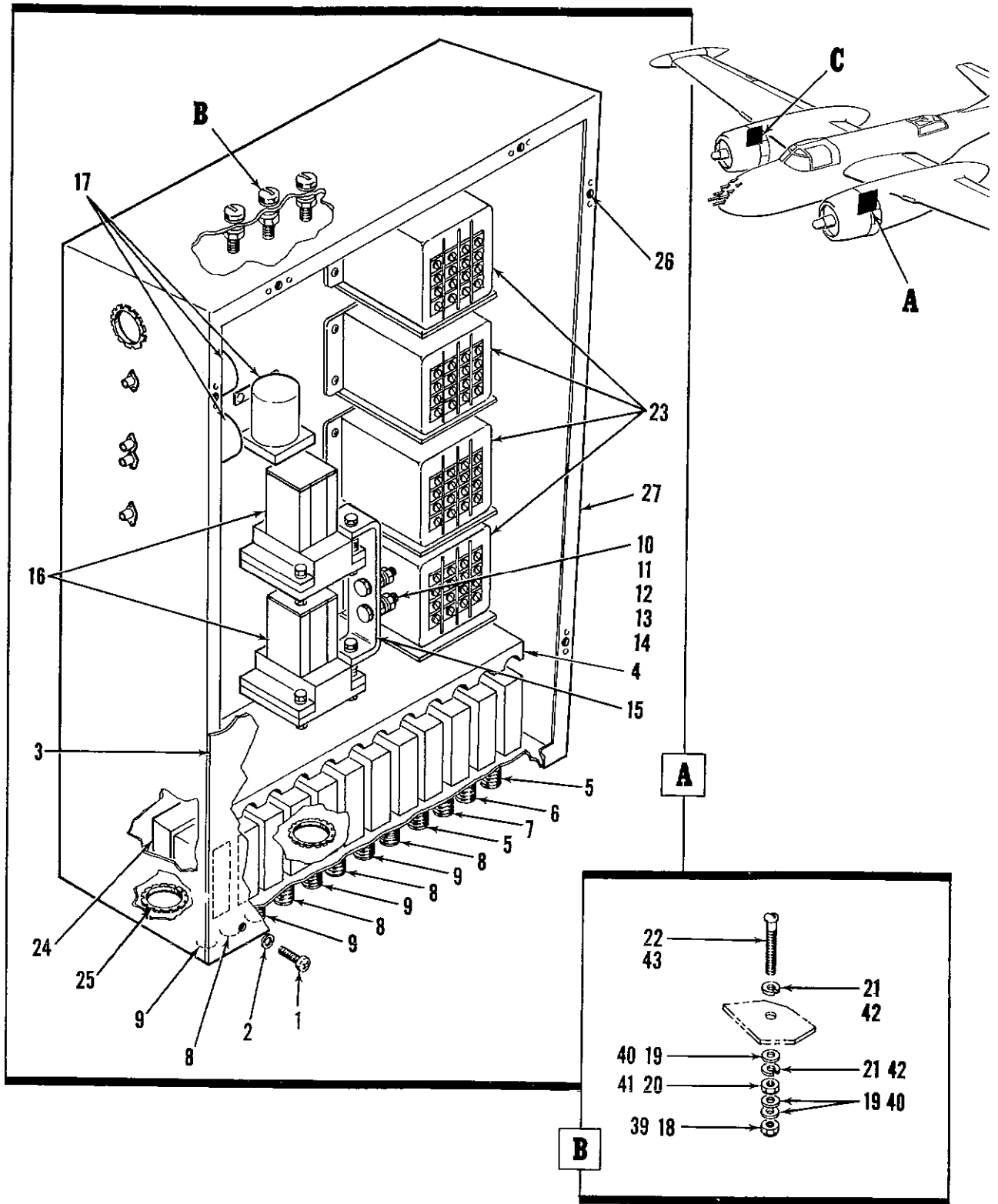


Figure 38. LH and RH Wheel Well Junction Box Assembly (Sheet 1 of 2)

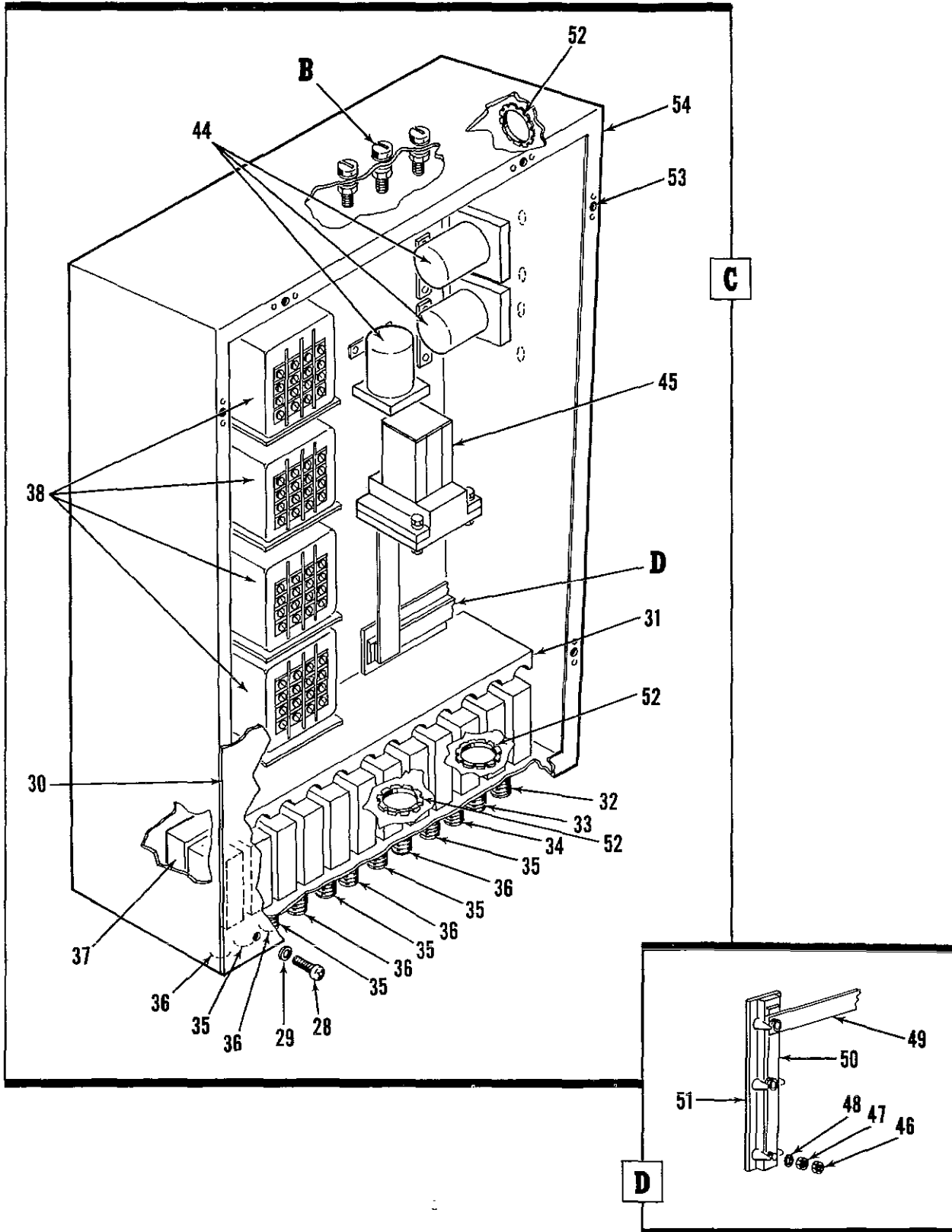


Figure 38. LH and RH Wheel Well Junction Box Assembly (Sheet 2 of 2)

FIG. AND INDEX NO.	PART NUMBER	DESCRIPTION	UNITS PER ASSY	USABLE ON CODE
38-		WHEEL WELL JUNCTION BOX ASSY, LH and RH		
	26-2610-400	JUNCTION BOX ASSY, LH wheel well (for NHA see fig. 35)	REF	
	26-2610-5	. COVER ASSY	1	
-1	2600-3	. . STUD, Turnlock fastener (71286)	8	
-2	2600LW	. . RETAINER, Turnlock fastener (71286)	8	
-3	26-2610-7	. COVER	1	
-4	3V7-10-28-12	. BUS BAR (91812)	1	
-5	MS25244-20A	. CIRCUIT BREAKER	2	
-6	MS25244-35A	. CIRCUIT BREAKER	1	
-7	MS25244-50A	. CIRCUIT BREAKER	1	
-8	MS25244-15A	. CIRCUIT BREAKER	4	
-9	MS25244-30A	. CIRCUIT BREAKER	4	
-10	MS20341-616	. NUT	4	
-11	AN935B616	. WASHER	4	
-12	AN960-616	. WASHER	6	
-13	AN936A616B	. WASHER	2	
-14	COML	. BOLT, Machine, brass, hex hd. 3/8-24 UNF2 X 1-1/4	2	
-15	26-2608-9	. BUS BAR	1	
-16	6041H212	. RELAY, Armature (15605)	2	
		(ATTACHING PARTS)		
	AN3-4A	. BOLT	4	
		-----*		
-17	AN3350-1	. RELAY, (For replacement order AN 3350-2)	3	
		(ATTACHING PARTS)		
	AN3-4A	. BOLT	6	
		-----*		
	2607-500	. GROUND STUD INSTL	3	
-18	MS20365-1032C	. . NUT	1	
-19	AN960-10	. . WASHER	3	
-20	MS20341-10	. . NUT	1	
-21	AN936A10	. . WASHER	2	
-22	AN526-1032R16	. . SCREW	1	
-23	MS25024-2	. RELAY	4	
		(ATTACHING PARTS)		
	NAS220-8	. SCREW	16	
		-----*		
-24	26-2610-3	. GUARD, Circuit breaker	1	
-25	G51HA	. GROMMET, Strip (03296)	AR	
	26-2610-1	. BOX ASSY	1	
-26	212-12-3	. . RECEPTACLE, Turnlock fastener (71286)	8	
-27	26-2610-9	. BOX	1	
	26-2611-400	JUNCTION BOX ASSY, RH wheel well (for NHA see fig. 35)	REF	
	26-2611-5	. COVER ASSY	1	
-28	2600-3	. . STUD, Turnlock fastener (71286)	8	
-29	2600-LW	. . RETAINER, Turnlock fastener (71286)	8	
-30	26-2611-9	. COVER	1	
-31	3V7-10-28-11	. BUS BAR (91812)	1	
-32	MS25244-35A	. CIRCUIT BREAKER	1	
-33	MS25244-50A	. CIRCUIT BREAKER	1	
-34	MS25244-20A	. CIRCUIT BREAKER	1	
-35	MS25244-15A	. CIRCUIT BREAKER	4	
-36	MS25244-30A	. CIRCUIT BREAKER	4	
-37	26-2611-7	. GUARD, Circuit breaker	1	
-38	MS25024-2	. RELAY	4	
		(ATTACHING PARTS)		
	NAS220-8	. SCREW	16	
		-----*		
	2607-500	. GROUND STUD INSTL	3	
-39	MS20365-1032C	. . NUT	1	
-40	AN960-10	. . WASHER	3	
-41	MS20341-10	. . NUT	1	
-42	AN936A10	. . WASHER	2	
-43	AN526-1032R16	. . SCREW	1	

Section II
Group Assembly Parts List

T.O. 1B-26K-4

FIG. AND INDEX NO.	PART NUMBER	DESCRIPTION 1 2 3 4 5 6 7	UNITS PER ASSY	USABLE ON CODE
38-44	AN3350-1	. RELAY (For replacement order AN3350-2) (ATTACHING PARTS)	3	
	AN3-4A	. BOLT -----*-----	6	
-45	6041H212	. RELAY, Armature (15605) (ATTACHING PARTS)	1	
	AN3-4A	. BOLT -----*-----	2	
-46	MS20365-524C	. . NUT	3	
-47	MS20341-516	. . NUT	3	
-48	AN960C516	. . WASHER	3	
-49	26-2611-1	. . BUS STRAP	1	
-50	26-2611-2	. . BUS BAR	1	
-51	MS25123-4-3	. . TERMINAL BOARD (ATTACHING PARTS)	1	
	NAS221-8	. . SCREW -----*-----	2	
-52	G51HA	. . GROMMET, Strip (03296)	AR	
	26-2611-3	. . BOX ASSY	1	
-53	212-12-3	. . . RECPTACLE, Turnlock fastener (71286)	8	
-54	26-2611-11	. . . BOX	1	

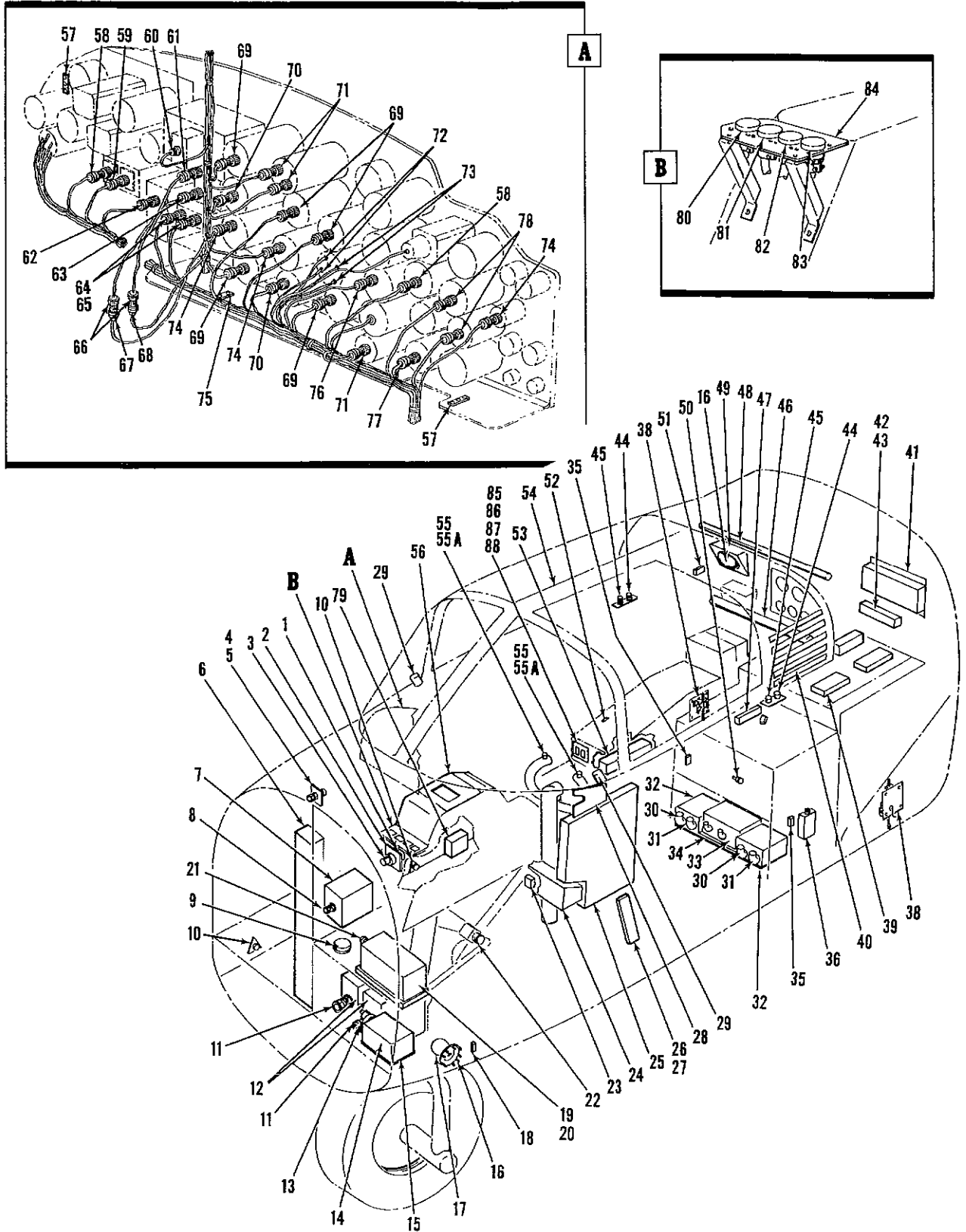


Figure 39. Fuselage Section Electrical Installation (Sta 0 to 120)

Section II
Group Assembly Parts List

T.O. 1B-26K-4

FIG. AND INDEX NO.	PART NUMBER	DESCRIPTION	UNITS PER ASSY	USABLE ON CODE
39-	26-2000-1	ELECTRICAL INSTL, Fuselage section(sta 0 to 120)(see fig. 4) for N1A) (for additional breakdown see fig. 40)	REF	
-1	MS3100A22-14S	. CONNECTOR	1	
-2	26-2717-1	. BRACKET, Attitude gyro connector	1	
-3	MS3106B22-14P	. CONNECTOR	1	
-4	RLK57-31SL	. CONNECTOR, Plug, electrical (71468)	1	
-5	RLK57-22C1-1-2	. CONNECTOR, Receptacle, electrical (71468) (ATTACHING PARTS)	1	
	MS20365-1032	. NUT	3	
	AN960-10	. WASHER	3	
	AN509-10R7	. SCREW	3	
		-----*-----		
-6	26-2620-400	. JUNCTION BOX ASSY, Sta 0 (for details see fig. 46) (ATTACHING PARTS)	1	
	MS35690-10	. NUT	6	
	MS20365-1032	. NUT	6	
	AN936A10	. WASHER	6	
	AN526-1032R18	. SCREW	6	
		-----*-----		
-7	1055-1	. MOTOR, Flasher, type C2 (53750) (for details see T.O. 8D3-8-6-4) . . (ATTACHING PARTS)	1	
	AN3-5A	. BOLT	4	
	AN960-10	. WASHER	4	
		-----*-----		
-8	MS3106B16S8S	. CONNECTOR	1	
	MS3057-8	. CLAMP	1	
-9	5939NL	. BELL, Warning (19557) (ATTACHING PARTS)	1	
	MS20365-1032C	. NUT	3	
	AN960-10L	. WASHER	3	
	AN526-1032R10	. SCREW	3	
		-----*-----		
-10	17343-16	. SWITCH, Thermal, fire detecting (73168)	2	
-11	MS3106B14S2S	. CONNECTOR	2	
	MS3057-6	. CLAMP	2	
-12	26-2621-1	. PANEL ASSY, Time delay relays, sta 0 (for details see fig. 41) (ATTACHING PARTS)	1	
	NAS221-8	. SCREW	4	
		-----*-----		
	MS3106B18-1S	. CONNECTOR	1	
-13	MS3057-6	. CLAMP	1	
-14	42E06-18	. TIMER, Electronic, Wing de-icer (99551) (ATTACHING PARTS)	1	
	NAS220-8	. SCREW	4	
		-----*-----		
-15	26-2622-1	. BRACKET ASSY, Wing, de-icer timer (ATTACHING PARTS)	1	
	NAS22-8	. SCREW	4	
		-----*-----		
-16	AN3037-2B	. LIGHT ASSY	2	
-17	MS25232S3307	. LAMP	2	
-18	MS35058-22	. SWITCH	1	
-19	40-063A	. HYTROL UNIT, Anti-skid system (81982) (alt 40-147 (81982)) (for details see T.O. 4BA8-4-4) (ATTACHING PARTS)	1	
	NAS220-8	. SCREW	4	
	AN960-8L	. WASHER	4	
		-----*-----		
-20	26-2623-1	. BRACKET ASSY, Hytrol control unit mounting, sta 1 (for details see fig. 53) (ATTACHING PARTS)	1	
	NAS221-8	. SCREW	4	
		-----*-----		

FIG. AND INDEX NO.	PART NUMBER	DESCRIPTION	UNITS PER ASSY	USABLE ON CODE
39-21	MS3106B22-14S	. CONNECTOR	1	
-22	MS3057-12 5206709	. CLAMP SWITCH INSTL, Nose wheel latch down (18355) (for details see fig. 51)	NP	
-23	5206024	. SWITCH INSTL, Nose gear latch up (18355) (for details see fig. 51) . .	NP	
-24	26-2601-400	. PANEL ASSY, Pilots sub. sta 30 (for details see fig. 42) (ATTACHING PARTS)	1	
	NAS220-8	. SCREW	4	
	AN960PD8L	. WASHER -----*-----	4	
-25	26-2602-400	. PANEL ASSY, Main circuit breaker, fuselage, sta 30 (for details see fig. 41) (ATTACHING PARTS)	1	
	NAS221-7	. SCREW	3	
	NAS221-9	. SCREW	2	
	AN960-10	. WASHER -----*-----	5	
-26	MS17777-1S16	. COVER	1	
-27	MS25123-1-16	. TERMINAL BOARD (ATTACHING PARTS)	1	
	MS20365-440C	. NUT	4	
	AN515-4R6	. SCREW -----*-----	4	
-28	26-2640-1	. PANEL ASSY, Gunsight control, sta 34 (for details see fig. 42)	1	
-29	D6810A	. LIGHT, Map (72914) (ATTACHING PARTS)	2	
	MS20365-1032	. NUT	4	
	AN960-10	. WASHER	4	
	AN520-10R10	. SCREW -----*-----	4	
-30	MS3108B24-7S	. CONNECTOR	2	
-31	MS3106B12S3S	. CONNECTOR	2	
-32	87057	. BOX, Propeller control (for details see T.O. 3HA2-4-4)	2	
-33	26-2618-400	. BOX ASSY, Control propeller reversing pull (sta 77)(for details see fig. 54) (ATTACHING PARTS)	1	
	AN526-8R8	. SCREW -----*-----	4	
-34	26-2625-1	. BRACKET ASSY, Propeller control unit, sta 90	1	
-35	3207804	. SWITCH INSTL, Bomb bay door closed (18355) (for details see fig. 51)	NP	
-36	26-2636-1	. JUNCTION BOX ASSY, Ignition, sta 90 (for details see fig. 47)	1	
-37	AN3022-3	. SWITCH (Forward bomb bay light)	1	
-38	5207691	. SWITCH INSTL, Bomb door safety (18355) (for details see fig. 51)	NP	A
	5205069	. SWITCH INSTL, Bomb door safety (18355) (for details see fig. 51)	NP	B
-39	26-2624-1	. PANEL ASSY, Generator control, sta 97 (for details see fig. 44) (ATTACHING PARTS)	1	
	MS20365-1032	. NUT	12	
	AN960-10	. WASHER	12	
	AN509-10R9	. SCREW	12	
	AN509-10R10	. SCREW	2	
	AN3-4A	. BOLT -----*-----	10	
-40	26-2649-1	. PANEL ASSY, Cockpit disconnect, sta 83 (for details see fig. 43) (ATTACHING PARTS)	1	
	MS20365-1032	. NUT	6	
	AN960-10	. WASHER	6	
	AN50910R16	. SCREW -----*-----	6	
-41	26-2606-400	. PANEL ASSY, Rheostat, fuel boost, sta 118 (for details see fig. 44) (ATTACHING PARTS)	1	
	MS20365-1032	. NUT	8	
	AN960-10	. WASHER	8	
	AN3-4A	. BOLT -----*-----	12	

Section II
Group Assembly Parts List

T.O. 1B-26K-4

FIG. AND INDEX NO.	PART NUMBER	DESCRIPTION	UNITS PER ASSY	USABLE ON CODE
39-42	MS17777-1-15S	. COVER	1	
-43	MS25123-1-15	. TERMINAL	1	
-44	MS3100E32-7S	. CONNECTOR	2	
-45	MS3100E26-21S	. CONNECTOR	2	
-46	26-4648-1	. CONDUIT, Fwd bomb bay radio harness	1	
		(ATTACHING PARTS)		
	MS20365-1032	. NUT	5	
	AN960-10	. WASHER	5	
	AN526-10R8	. SCREW	5	
		-----*		
-47	26-2634-1	. TERMINAL ASSY, Bus, LH sta 80 (for details see fig. 52)	1	
		(ATTACHING PARTS)		
	MS20365-1032	. NUT	2	
	AN960-10	. WASHER	2	
	AN50910R14	. SCREW	2	
	AN50910R12	. SCREW	4	
		-----*		
-48	26-2102-1	. CONDUIT, Aft cockpit electrical harness	1	
		(ATTACHING PARTS)		
	MS20365-1032	. NUT	2	
	AN960-10	. WASHER	2	
	AN526-10R8	. SCREW	2	
		-----*		
-49	26-2638-1	. BRACKET ASSY, Cockpit dome light	1	
		(ATTACHING PARTS)		
	NAS221-10	. SCREW	4	
		-----*		
-50	MS3100A20-27S	. CONNECTOR	1	
-51	26-2635-1	. TERMINAL ASSY, Bus, RH sta 110 (for details see fig. 52)	1	
		(ATTACHING PARTS)		
	MS20365-1032	. NUT	2	
	AN960-10	. WASHER	4	
	AN509-10R12	. SCREW	2	
	NAS221-12	. SCREW	4	
		-----*		
-52	0115	. RESISTOR (03615)	1	
-53	26-2200	. CONTROL BOX ASSY, Propeller reverse throttle, sta 70	1	
		(for details see fig. 53)		
		(ATTACHING PARTS)		
	MS20365-1032	. NUT	4	
	AN960-10	. WASHER	4	
	AN3-4	. BOLT	4	
		-----*		
-54	26-2603-400	. PANEL ASSY, Overhead center switch, sta 70 (for details	1	
		see fig. 43)		
		(ATTACHING PARTS)		
	NAS221-10R9	. SCREW	10	
		-----*		
-55	C1601	. SWITCH (81640)	REF	
-55A	C100P4	. SWITCH (81640)	REF	
		(ATTACHING PARTS)		
	AN526-632R6	. SCREW	4	
		-----*		
-56	26-2600-400	. PANEL ASSY, Pilots pedestal, sta 29 (for details see fig. 41)	1	
-57	MS25123-1-3	. TERMINAL BOARD	2	
-58	MS3106B22-14S	. CONNECTOR	2	
-59	MS3106B24-28S	. CONNECTOR	1	
-60	MRE34SG	. CONNECTOR, Receptacle, electrical (71468)	1	
-61	MS3106B20-33S	. CONNECTOR	1	
-62	MS3106B18-1S	. CONNECTOR	1	
-63	MS3106B20-27P	. CONNECTOR	1	
-64	MS3106B24-28S	. CONNECTOR	1	
-65	MS3106B24-28SW	. CONNECTOR	1	
-66	MS3106E24-28SWC	. CONNECTOR	2	
-67	MS3101A24-28P4C	. CONNECTOR	1	
-68	MS3101A24-28PW4C	. CONNECTOR	1	
-69	MS3106B16-1S	. CONNECTOR	5	

FIG. AND INDEX NO.	PART NUMBER	DESCRIPTION	UNITS PER ASSY	USABLE ON CODE
39-70	MS3106B14S5S	. CONNECTOR	2	
-71	MS3106B14S7S	. CONNECTOR	3	
-72	26-2675-1	. THERMOCOUPLE ASSY, Inst. panel to LH wing disc.	1	
-73	26-2676-1	. THERMOCOUPLE ASSY, Inst. panel to RH wing disc.	1	
-74	MS3106B14S2S	. CONNECTOR	3	
-75	MS25123-1-2	. TERMINAL BOARD	1	
-76	MS3106B28-21S	. CONNECTOR	1	
-77	MS3106B12S3S	. CONNECTOR	1	
-78	MS3106B28-12S	. CONNECTOR	2	
-79	26-2630-1	. JUNCTION BOX ASSY, Nose wheel, sta 50 (for details see fig. 47) . . (ATTACHING PARTS)	1	
	NAS221-14	. SCREW	4	
	AN960-10	. WASHER	4	
		----*----		
-80	MS3100-32-7S	. CONNECTOR	1	
-81	MS3100-32-2010-10S	. CONNECTOR	1	
-82	MS3100A28-21S	. CONNECTOR	1	
-83	CA3100A32-2010-10S	. CONNECTOR	1	
-84	26-2632-1	. BRACKET, Pilot and pedestal disconnect (ATTACHING PARTS)	1	
	MS20365-832	. NUT	11	
	AN960-8	. WASHER	11	
	NAS220-8	. SCREW	11	
		----*----		
-85	49-1828	. GUARD, Switch (15605)	1	
-86	8747K4	. SWITCH (88140)	1	
-87	49-1356	. GUARD, Switch (15605)	1	
-88	AN3022-3	. SWITCH	1	
	26-2653-7	. CONDUIT ASSY, Breeze (ignition jct box to LH wing)	1	
	26-2653-8	. CONDUIT ASSY, Breeze (ignition jct box to RH wing)	1	
	26-2653-9	. CONDUIT ASSY, Breeze (ignition switch to cockpit floor)	1	
	26-2653-10	. CONDUIT ASSY, Breeze (ignition jct box to rigid conduit)	1	
		A- USAF 17640 thru 17647, 17650 thru 17652, 17655, 17656, 17658, 17660 thru 17662, 17665 thru 17673, 17675, 17677 thru 17679		
		B- USAF 17648, 17649, 17653, 17654, 17657, 17659, 17663, 17664, 17674, 17676		

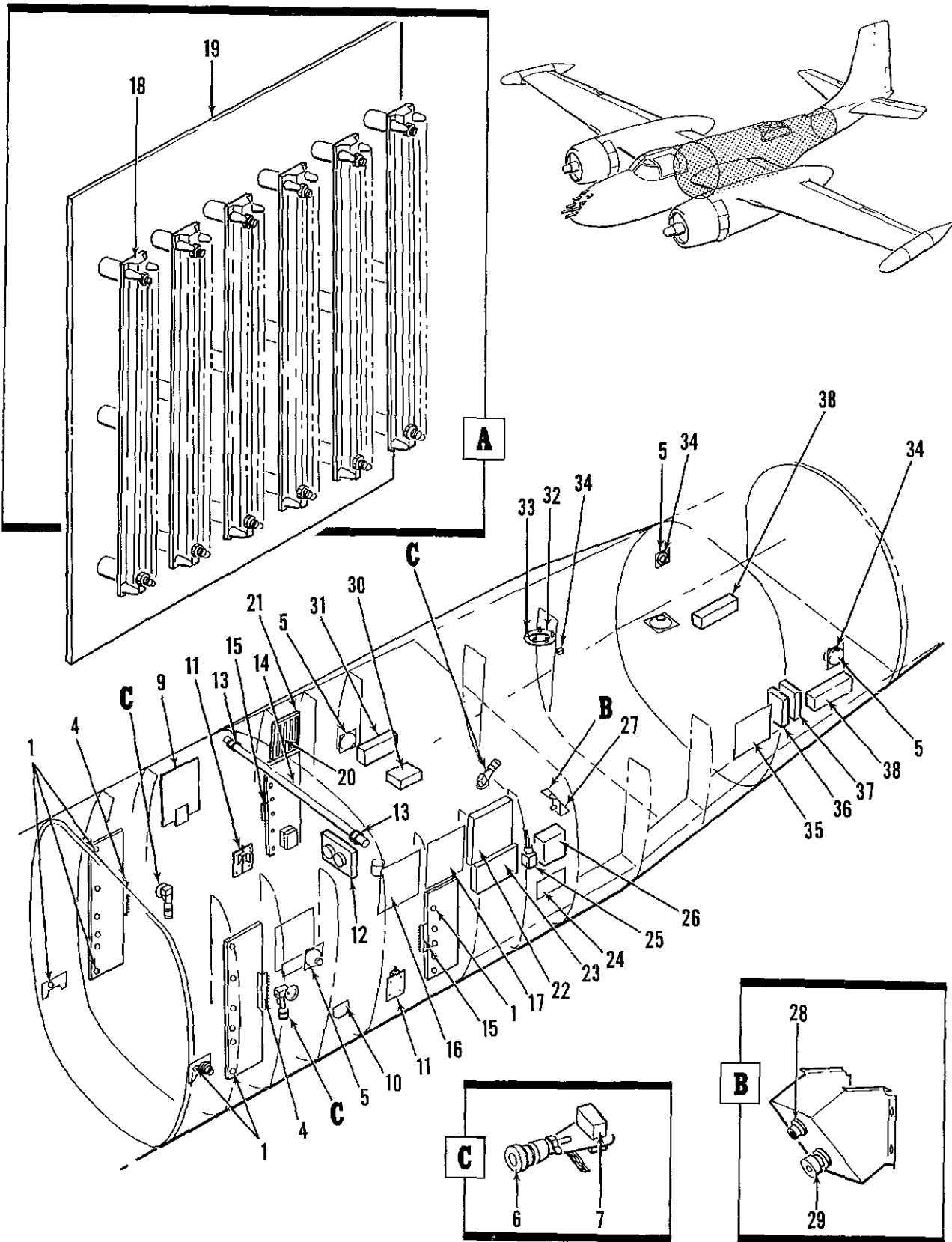


Figure 40. Fuselage Section Electrical Installation (Sta 120 to 352)

FIG. AND INDEX NO.	PART NUMBER	DESCRIPTION 1 2 3 4 5 6 7	UNITS PER ASSY	USABLE ON CODE
40-	26-2000-1	ELECTRICAL INSTL, Fuselage section(sta 120 to 352)(see fig. 4) . . .	REF	
-1	43B11200	. CONNECTOR, Receptacle, electrical (GFP)	24	
	AN507-832R7	. SCREW	AR	
		-----*-----		
-2	MS3100A18-1S	. CONNECTOR.	1	
-3	MS3100R18-1P	. CONNECTOR.	1	
-4	MS25123-1-20	. TERMINAL BOARD	2	
		(ATTACHING PARTS)		
	MS20365-440A	. NUT	6	
	AN960-4L	. WASHER	6	
	AN515-4R6	. SCREW	6	
		-----*-----		
-5	AN3049-1	. LIGHT ASSEMBLY	4	
		(ATTACHING PARTS)		
	AN515-632R6	. SCREW	24	
		-----*-----		
-6	MS3106B16-4S	. CONNECTOR	4	
-7	26-2662-1	. FILTER ASSY, Bomb bay (for details see fig. 54)	4	
-8	GE8TJ17ADM	. CONNECTOR, Receptacle, electrical (2446)	1	
-9	26-2612-1	. PANEL ASSY, Pilots terminal, fwd sta 150 (for details see fig. 44) . .	1	
		(ATTACHING PARTS)		
	MS20365-1032	. NUT	4	
	AN960-10	. WASHER	4	
	AN515-10R8	. SCREW	4	
		-----*-----		
-10	26-2735-1	. TERMINAL ASSY, Bus, LH sta 160 (for details see fig. 52)	1	
		(ATTACHING PARTS)		
	MS20365-1032	. NUT	4	
	AN960-10	. WASHER	4	
	NAS221-8	. SCREW	4	
		-----*-----		
-11	5207691	. SWITCH INSTL, Bomb door safety (18355)	NP	A
		(for details see fig. 51)		
	5205069	. SWITCH INSTL, Bomb door safety (18355)	NP	B
		(for details see fig. 51)		
-12	7108D24	. RELAY, Armature (35344)	1	
-13	MS21919DG33	. CLAMP	2	
		(ATTACHING PARTS)		
	MS20365-1032	. NUT	2	
	AN960-10	. WASHER	2	
	AN526-10R8	. SCREW	2	
		-----*-----		
-14	26-4649-1	. CONDUIT, Harness	1	
-15	MS25123-1-13	. TERMINAL BOARD	2	
		(ATTACHING PARTS)		
	MS20365-440A	. NUT	4	
	AN960-4L	. WASHER	4	
	AN515-4R6	. SCREW	4	
		-----*-----		
-16	26-2614-1	. PANEL ASSY, Terminal, fuselage, LH sta 180	1	
-17	26-2615-1	. PANEL ASSY, Terminal, fuselage, LH sta 195	1	
		(ATTACHING PARTS)		
	MS20365-1032	. NUT	6	
	AN960-10	. WASHER	18	
	NAS221-8	. SCREW	18	
		-----*-----		
-18	MS25123-1-20 TERMINAL BOARD	6	
		(ATTACHING PARTS)		
	AN515-6R16 SCREW	18	
	LS605-16-1-2 SPACER, Sleeve (03033)	18	
		-----*-----		
-19	26-2614-3 PANEL, Terminal, fuselage, LH sta 180	1	
	26-2615-3 PANEL, Terminal, fuselage, LH sta 195	1	
	26-2613-1 PANEL ASSY, Pilots terminal, RH sta 195	1	
		(ATTACHING PARTS)		
	MS20365-1032	. NUT	9	

Section II
Group Assembly Parts List

T.O. 1B-26K-4

FIG. AND INDEX NO.	PART NUMBER	DESCRIPTION	UNITS PER ASSY	USABLE ON CODE
40-	AN960-10 NAS221-8	. WASHER SCREW -----*-----	9 9	
-20	MS25123-1-20 TERMINAL BOARD (ATTACHING PARTS)	4	
	AN515-6R16 LS605-16-1-2 SCREW SPACER, Sleeve (03033) -----*-----	12 12	
-21	26-2613-3 PANEL, Pilots terminal	1	
-22	26-2616-400 PANEL ASSY, Relay, aft bomb bay upper, sta 209 (for details see fig. 45)	1	
-23	26-2617-400 PANEL ASSY, Relay, aft bomb bay lower, sta 209, LH (for details see fig. 45)	1	
-24	26-3604-1 PANEL ASSY, Terminal, camera, sta 240 LH (for details see fig. 45) (ATTACHING PARTS)	1	
	MS20365-1032 AN960-10 AN515-10R8 NUT WASHER SCREW -----*-----	4 4 4	
-25	74266 TIMER, De-icer (73030) (for details see T.O. 3HA8-4-4) (ATTACHING PARTS)	1	
	MS20365-1032 AN960-8 NAS220-8 AN509-8R8 NUT WASHER SCREW SCREW -----*-----	4 4 4 4	
-26	26-2629-400 JUNCTION BOX ASSY, Jettison relay, sta 240 (for details see fig. 48)	1	
-27	AN3022-3 SWITCH	1	
-28	MS25089-3 SWITCH	1	
-29	MS25041-3 LIGHT	1	
-30	26-3602-1 BOX ASSY, Sensor F477, dc pwr, sta 218 (for details see fig. 54) (ATTACHING PARTS)	1	
	MS20365-1032 AN960-10 NAS221-8 NUT WASHER SCREW -----*-----	4 4 4	
-31	26-2637-400 JUNCTION BOX ASSY, MM2, sta 223.5 (for details see fig. 48) (ATTACHING PARTS)	1	
	NAS221-8 AN960-10 SCREW WASHER -----*-----	6 6	
-32	26-2659-1 RING, Dome light adapter (ATTACHING PARTS)	1	
	AN526-1032R24 NAS43DD3-64 SCREW SPACER -----*-----	8 8	
-33	AN3037-28 AN3044-1 MS25232SB307 LIGHT ASSY COVER LAMP	1 1 1	
-34	AN3022-2 SWITCH	3	
-35	26-2646-1 JUNCTION BOX ASSY, Aft relay shield, sta 285 (for details see fig. 49) (ATTACHING PARTS)	1	
	NAS221-8 AN960-10 SCREW WASHER -----*-----	4 4	
-36	26-2715-1 JUNCTION BOX ASSY, P2 Strike camera, sta 296 (for details see fig. 50) (ATTACHING PARTS)	1	
	MS20365-1032 AN960-10 NAS221-8 NUT WASHER SCREW -----*-----	4 4 4	
-37	26-2654-400 JUNCTION BOX ASSY, Inverter, sta 296 (for details see fig. 50) (ATTACHING PARTS)	1	
	MS20365-1032A NUT	6	

FIG. AND INDEX NO.	PART NUMBER	DESCRIPTION 1 2 3 4 5 6 7	UNITS PER ASSY	USABLE ON CODE
40-	AN960-10 NAS221-10	. WASHER SCREW	10 10	
-38	F45-3	. INVERTER, Power, static (31435)	2	
		A - USAF 17640 thru 17647, 17650 thru 17652, 17655, 17656, 17658, 17660 thru 17662, 17665 thru 17673, 17675, 17677 thru 17679		
		B - USAF 17648, 17649, 17653, 17654, 17657, 17659, 17663, 17664, 17674, 17676		

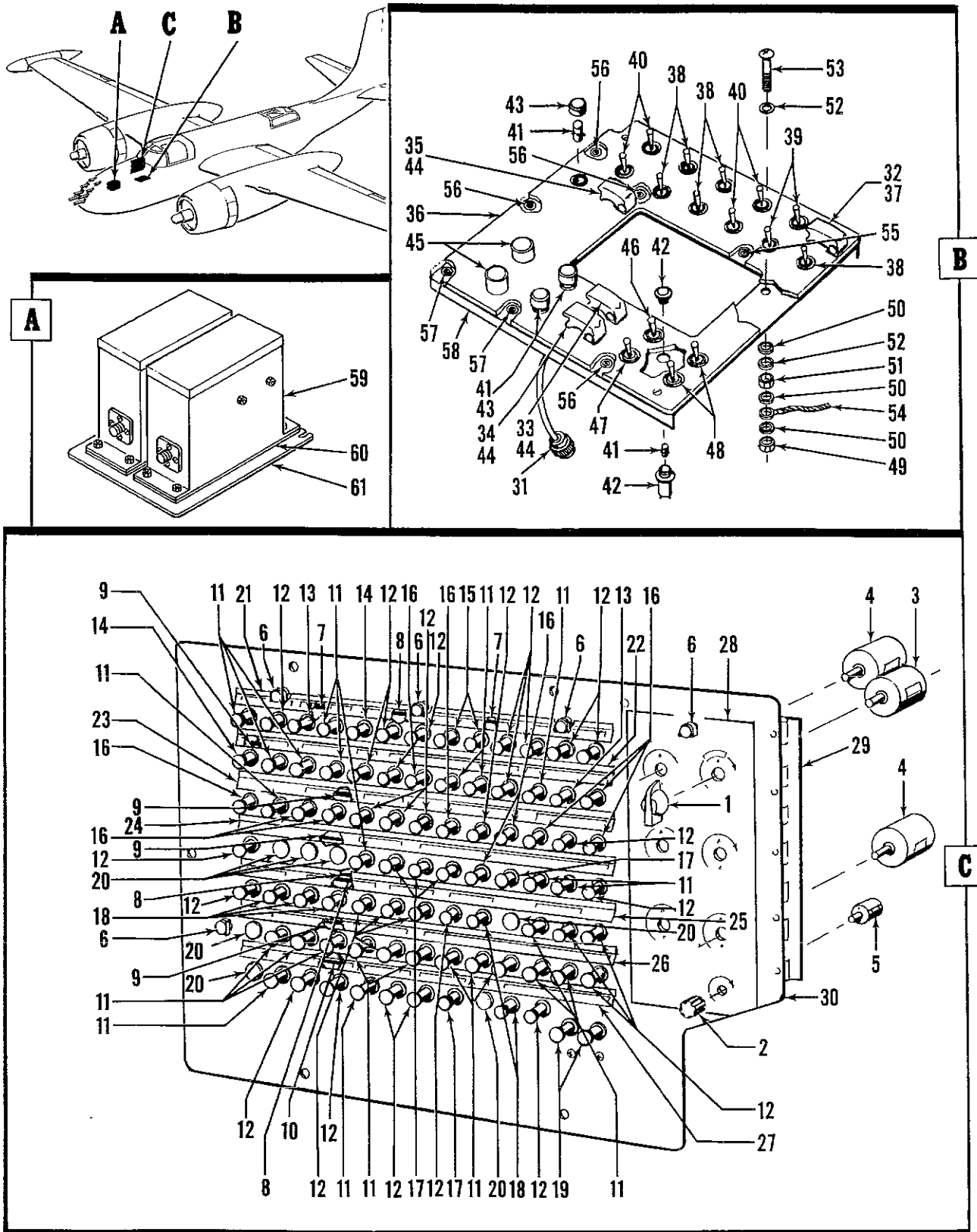


Figure 41. Main Circuit Breaker, Time Delay Relays and Pilots Pedestal Panel Assemblies

FIG. AND INDEX NO.	PART NUMBER	DESCRIPTION	UNITS PER ASSY	USABLE ON CODE		
					1	2
41-		MAIN CIRCUIT BREAKER, TIME DELAY RELAYS AND PILOTS PEDESTAL PANEL ASSEMBLIES				
	26-2602-400	PANEL ASSY, Main circuit breaker sta 30 (for NHA see fig. 39)	REF			
-1	MS25166-2	NOB.	6			
-2	5151	NOB (44655)	1			
-3	AN3155-50-100	RHEOSTAT	4			
-4	AN3155-50-200	RHEOSTAT	2			
-5	W0121	RHEOSTAT (44655)	1			
-6	A5610C	LIGHT, Panel (72914)	5			
-7	3V7-10-28-5	BUS BAR (91812)	2			
-8	3V7-10-28-3	BUS BAR (91812)	2			
-9	3V7-10-28-13	BUS BAR (91812)	5			
-10	3V7-10-28-11	BUS BAR (91812)	1			
-11	MS25244-10	CIRCUIT BREAKER	25			
-12	MS25244-5	CIRCUIT BREAKER	30			
-13	MS25244-25	CIRCUIT BREAKER	2			
-14	MS25244-35	CIRCUIT BREAKER	2			
-15	MP1503	CIRCUIT BREAKER (76374)	2			
-16	MS25244-15	CIRCUIT BREAKER	11			
-17	MS25244-20	CIRCUIT BREAKER	5			
-18	MP1505	CIRCUIT BREAKER (76374)	5			
-19	D6753-1	CIRCUIT BREAKER (82647)	2			
		(ATTACHING PARTS)				
	AN515-6R8	SCREW	4			
		-----*-----				
-20	BS51117	BUTTON, Plug (Ruffcorn Fastener Co., Culver City, Calif.)	7			
-21	B26-052-004	DECAL (06327)	1			
-22	B26-052-005	DECAL (06327)	1			
-23	B26-052-006	DECAL (06327)	1			
-24	B26-052-007	DECAL (06327)	1			
-25	B26-052-008	DECAL (06327)	1			
-26	B26-052-009	DECAL (06327)	1			
-27	B26-052-010	DECAL (06327)	1			
-28	B26-052-003	DECAL (06327)	1			
-29	26-2602-5	HINGE, (Altered from MS20257P4)	1			
-30	26-2602-1	PANEL	1			
	26-2600-400	PANEL ASSY, Pilots pedestal, sta 29 (for NHA see fig. 39)	REF			
-31	MS3106B16S1S	CONNECTOR	1			
-32	26-2667-1	GUARD, Switch	1			
-33	26-2667-3	GUARD, Switch	1			
-34	26-2667-5	GUARD, Switch	1			
-35	26-2667-7	GUARD, Switch	1			
-36	26-2600-1	PANEL, Engraved	1			
		(ATTACHING PARTS)				
	K7001-06-4	NUT (75237)	3			
	AN500AD6-6	SCREW	3			
	AN6227B1	PACKING	3			
		-----*-----				
-37	MS35059-23	SWITCH	1			
-38	MS35059-21	SWITCH	5			
-39	MS35058-22	SWITCH	2			
-40	MS35058-21	SWITCH	4			
-41	MS25237-327	LAMP	11			
-42	FSN85551-9U	LIGHT ASSY (08717)	8			
-43	MS25041-2	LIGHT	3			
-44	MS35058-22	SWITCH	3			
-45	8749K11	SWITCH, Rotary (88140)	2			
		(ATTACHING PARTS)				
	AN515C6R7	SCREW	4			
		-----*-----				
-46	MS35058-30	SWITCH	1			
-47	13AT1	SWITCH, Toggle (40228)	1			
-48	MS35058-23	SWITCH	2			
	2607-500	STUD INSTL, Ground	1			
-49	MS20365-1032C	NUT	1			
-50	AN960-10	WASHER	3			

Section II
Group Assembly Parts List

T.O. 1B-26K-4

FIG. AND INDEX NO.	PART NUMBER	DESCRIPTION							UNITS PER ASSY	USABLE ON CODE
		1	2	3	4	5	6	7		
41-51	MS20341-10	.	.	.	NUT.	.	.	.	1	
-52	AN936A10	.	.	.	WASHER.	.	.	.	2	
-53	AN526-1032R16	.	.	.	SCREW.	.	.	.	1	
-54	MS25083-3PB4	.	.	JUMPER ASSY.	1	
-55	NAS221-9	.	.	SCREW.	1	
-56	NAS221-10	.	.	SCREW.	4	
-57	NAS221-14	.	.	SCREW.	2	
-58	26-2600-3	.	.	PANEL, Pedestal.	1	
	26-2621-1	.	.	PANEL ASSY, Time delay relays, sta 0 (for NHA see fig. 39)					REF	
-59	2600-1	.	.	RELAY (81896)	2	
		.	.	(ATTACHING PARTS)						
	MS20365-1032	.	.	NUT.	8	
	AN960-10	.	.	WASHER.	8	
	AN509-10R10	.	.	SCREW.	8	
		.	.	-----*-----						
-60	26-2621-5	.	.	STRIP	2	
-61	26-2621-3	.	.	PANEL.	1	

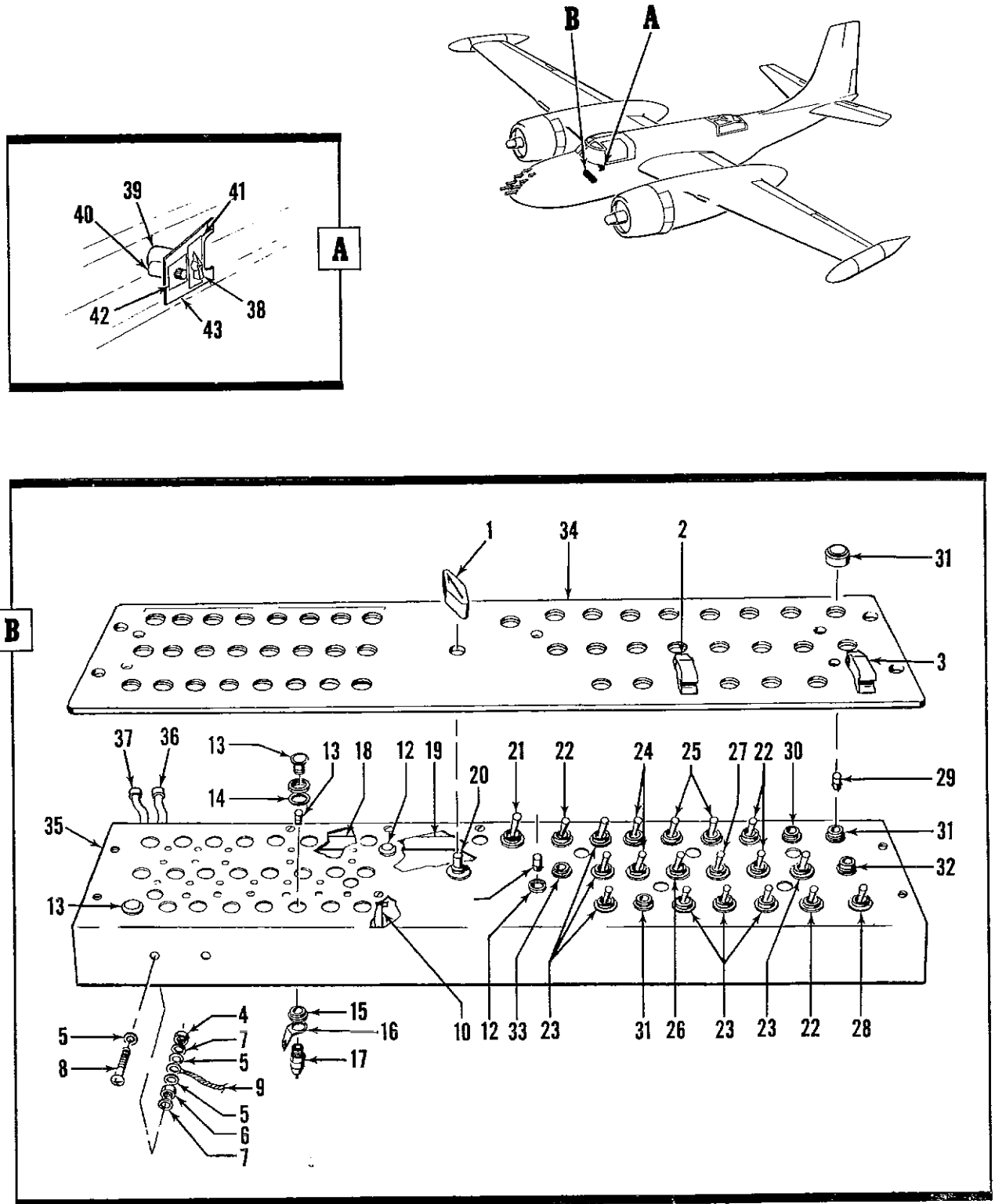


Figure 42. Pilots Sub and Gunsight Control Panel Assemblies

Section II
Group Assembly Parts List

T.O. 1B-26K-4

FIG. AND INDEX NO.	PART NUMBER	DESCRIPTION	UNITS PER ASSY	USABLE ON CODE
42-		PILOTS SUB AND GUNSIGHT CONTROL PANEL ASSEMBLIES		
	26-2601-400	. PANEL ASSY, Pilots sub. sta 30 (for NHA see fig. 39)	REF	
-1	MC183	. . . KNOB ASSY (87034)	1	
-2	26-2667-9	. . . GUARD, Switch	1	
-3	26-2667-11	. . . GUARD, Switch	1	
	2607-500	. . . STUD INSTL, Ground	2	
-4	MS20365-1032C	. . . NUT	1	
-5	AN960-10	. . . WASHER	3	
-6	MS20341-10	. . . NUT	1	
-7	AN936A10	. . . WASHER	2	
-8	AN526-1032R16	. . . SCREW	1	
-9	MS25083-3PB4	. . . JUMPER ASSY	1	
-10	3780	. . . RESISTOR, Fixed, wire wound 120 ohm, $\pm 5\%$, 10w (44655)	24	
		(ATTACHING PARTS)		
	MS20365-632	. . . NUT	24	
	AN960-6	. . . WASHER	24	
		-----*		
	NAS549-6	. . . INSULATOR	48	
	AN515-6R40	. . . SCREW	24	
-11	MS25237-327	. . . LAMP, Incandescent	13	
-12	FSN85551-9U	. . . LIGHT ASSY (08717)	13	
-13	319A	. . . LAMP, Incandescent (24455)	24	
-14	855025	. . . INSULATOR, Flat (08717)	24	
-15	855014	. . . INSULATOR (08717)	24	
-16	855049	. . . LUG, Terminal (08717)	24	
-17	21781	. . . SOCKET ASSY (87034)	24	
-18	0200B	. . . RESISTOR, Fixed, wire wound, 10 ohm, $\pm 5\%$, 25w (44655)	1	
-19	0200C	. . . RESISTOR, Fixed, wire wound, 25 ohm, $\pm 5\%$, 25w (44655)	1	
		(ATTACHING PARTS)		
	MS20365-632	. . . NUT	3	
	AN515-6R6	. . . SCREW	3	
		-----*		
-20	238723F12	. . . SWITCH, Rotary (87034)	1	
-21	MS25105-21	. . . SWITCH, Toggle	1	
		(ATTACHING PARTS)		
	AN515-6R8	. . . SCREW	2	
		-----*		
-22	MS35058-23	. . . SWITCH, Toggle	4	
-23	MS35058-22	. . . SWITCH, Toggle	7	
-24	MS35058-21	. . . SWITCH, Toggle	2	
-25	MS35059-21	. . . SWITCH, Toggle	2	
-26	MS35059-30	. . . SWITCH, Toggle	1	
-27	MS35059-31	. . . SWITCH, Toggle	1	
-28	MS35058-30	. . . SWITCH, Toggle	1	
-29	MS25237-327	. . . LAMP, Incandescent	5	
-30	MS25041-3	. . . LIGHT, Indicator	1	
-31	MS25041-4	. . . LIGHT, Indicator	2	
-32	MS25041-6	. . . LIGHT, Indicator	1	
-33	MS25041-10	. . . LIGHT, Indicator	1	
-34	26-2601-1	. . . PANEL, Engraved	1	
		(ATTACHING PARTS)		
	K7001-06-04	. . . NUT (75237)	6	
	AN5227B1	. . . PACKING	6	
	AN500AD6-6	. . . SCREW	6	
		-----*		
-35	26-2601-3	. . . PANEL, Blank	1	
	EL-26-52	. . . HARNESS, Wiring	1	
-36	MS3106B32-2010-10P	. . . CONNECTOR	1	
	EL-26-90	. . . HARNESS, Wiring	1	
-37	MS3106B28-21P	. . . CONNECTOR	1	
	26-2640-1	. . . PANEL ASSY, Gunsight control, sta 34 (for NHA see fig. 39)	REF	
-38	MS25166-1	. . . KNOB	1	
-39	AN3155-50-200	. . . RHEOSTAT	1	
-40	W0121	. . . RHEOSTAT (44655)	1	
-41	B26-052-001	. . . DECAL, Instruction (06327)	1	
-42	B26-052-002	. . . DECAL, Instruction (06327)	1	
-43	26-2640-3	. . . PANEL	1	

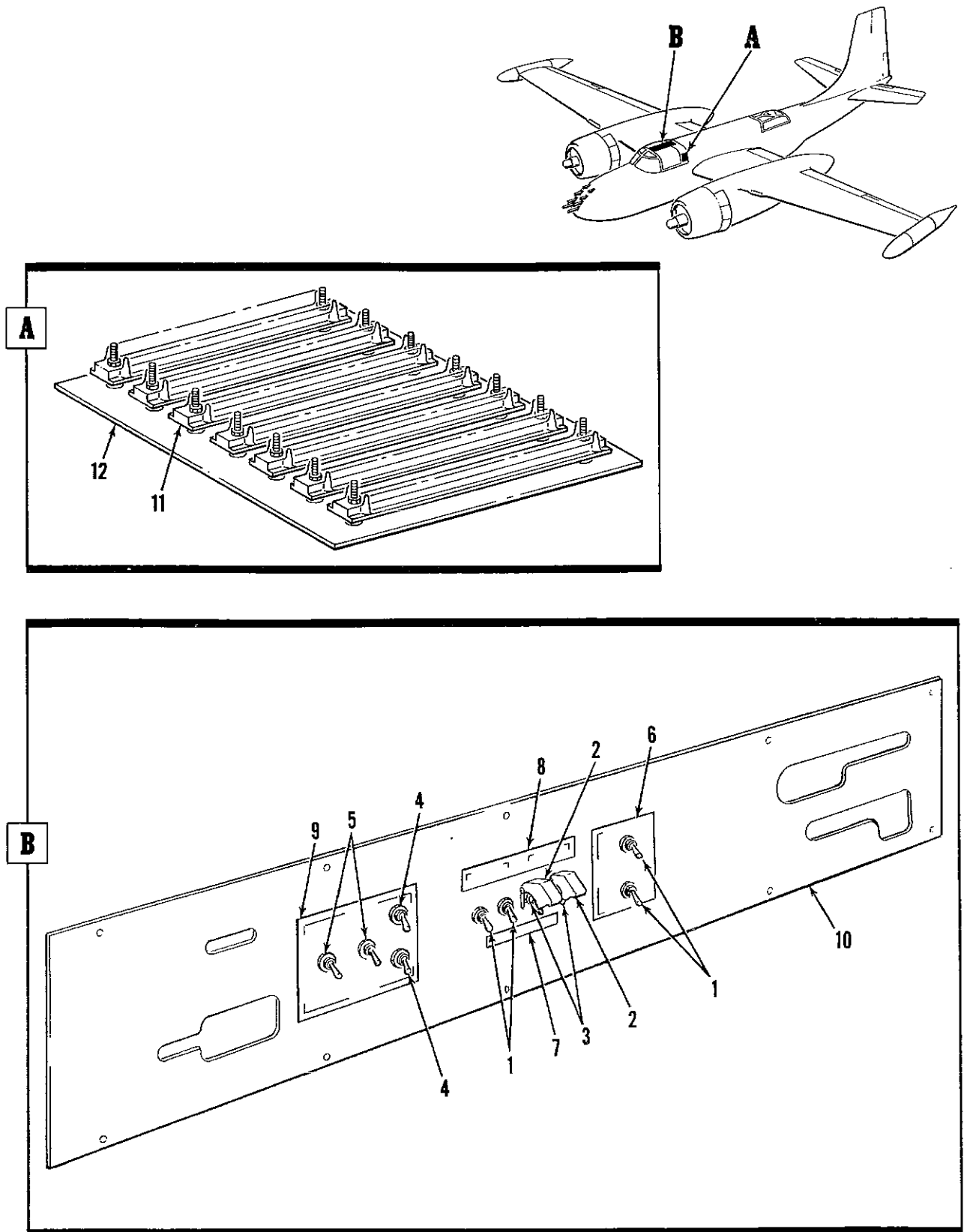


Figure 43. Overhead Center Switch and Cockpit Disconnect Panel Assemblies

Section II
Group Assembly Parts List

T.O. 1B-26K-4

FIG. AND INDEX NO.	PART NUMBER	DESCRIPTION 1 2 3 4 5 6 7	UNITS PER ASSY	USABLE ON CODE
43-		OVERHEAD CENTER SWITCH AND COCKPIT DISCONNECT PANEL ASSEMBLIES		
	26-2603-400 PANEL ASSY, Overhead center switch, sta 70 (for NHA see fig. 39) . .	REF	
-1	MS35058-22 SWITCH, Toggle	4	
-2	MS25224-3 GUARD, Switch	2	
-3	MS35059-22 SWITCH, Toggle	2	
-4	MS35058-30 SWITCH, Toggle	2	
-5	MS35058-27 SWITCH, Toggle	2	
-6	B26-050-003 DECAL (06327)	1	
-7	B26-050-002A DECAL (06327)	1	
-8	B26-050-002 DECAL (06327)	1	
-9	B26-050-001 DECAL (06327)	1	
-10	26-2603-1 PANEL	1	
	26-2649-1 PANEL ASSY, Cockpit disconnect (sta 83) (for NHA see fig. 39)	REF	
-11	MS25123-1-20 TERMINAL BOARD (ATTACHING PARTS)	7	
	AN515-6R16 SCREW	21	
	LS605-16-1-2 SPACER (03033)	21	
		-----*		
-12	26-2649-3 PANEL	1	

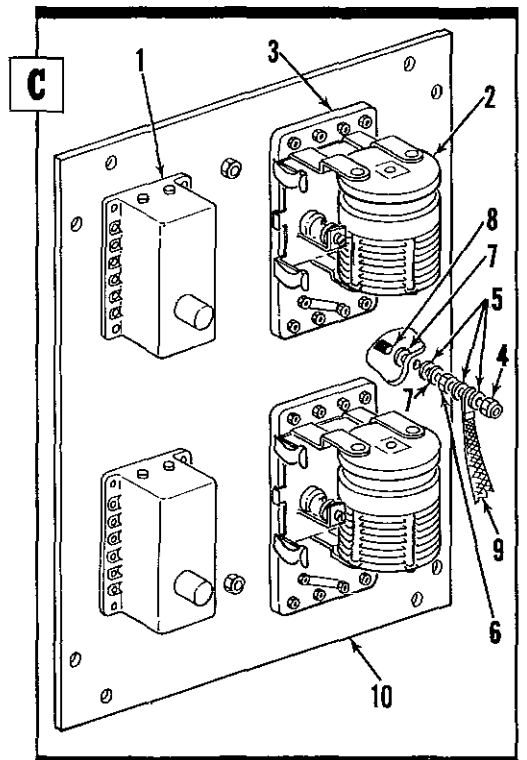
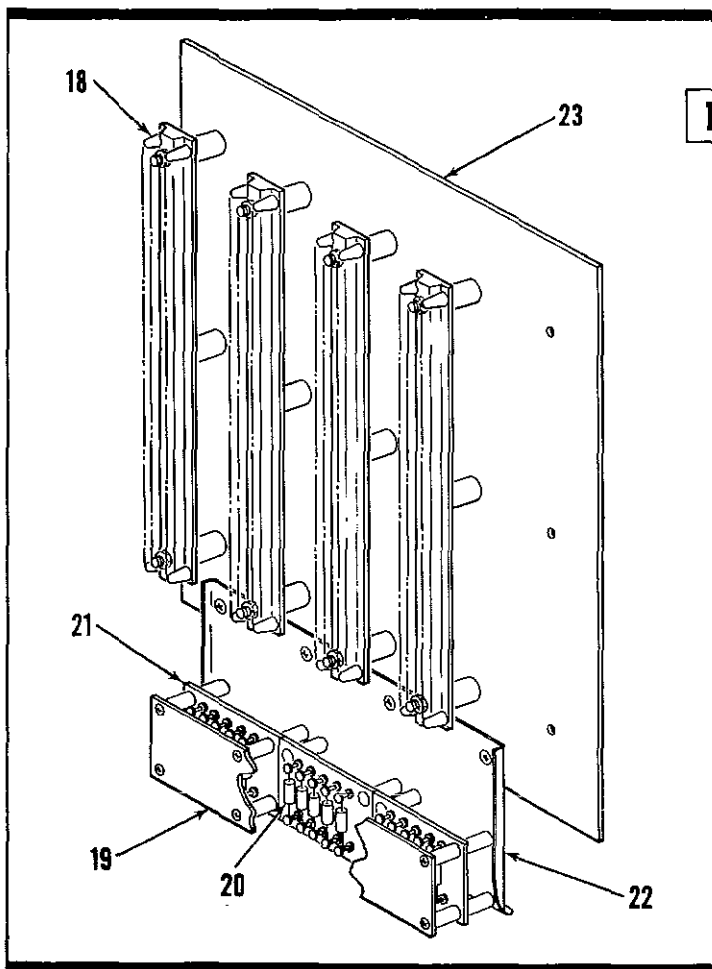
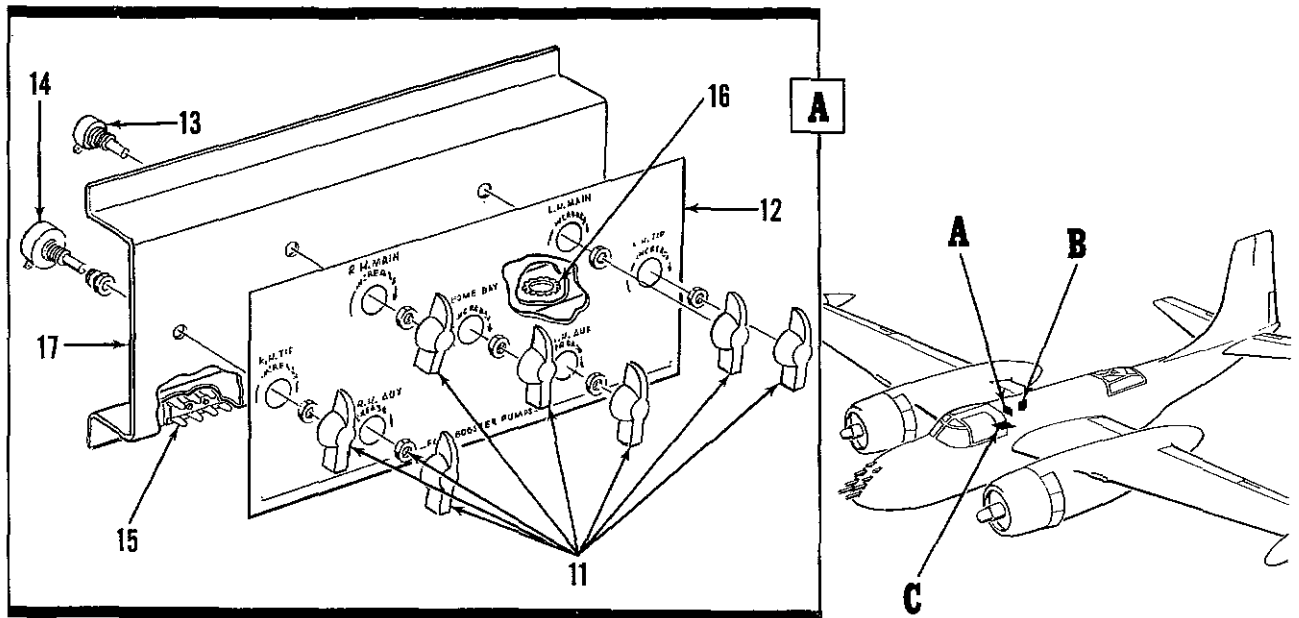


Figure 44. Generator Control, Fuel Boost Rheostat, and Pilots Terminal Panel Assemblies

Section II
Group Assembly Parts List

T.O. 1B-26K-4

FIG. AND INDEX NO.	PART NUMBER	DESCRIPTION	UNITS PER ASSY	USABLE ON CODE
44-		GENERATOR CONTROL, FUEL BOOST RHEOSTAT, AND PILOTS		
		TERMINAL PANEL ASSEMBLIES		
-1	26-2624-1	. PANEL ASSY, Generator control (sta 97) (for NHA see fig. 39) . . .	REF	
	1623-5B	. . PROTECTOR, Overvoltage (19315)	2	
		(ATTACHING PARTS)		
	MS20365-832A	. . NUT	4	
	AN960-8	. . WASHER	4	
	NAS220-12	. . SCREW	4	
		-----*		
-2	1589-1C	. . REGULATOR, Voltage (19315) (for details see	2	
		T. O. 8D16-12-14)		
-3	AVIA2003	. . BASE, Voltage regulator (Spec AF 5566214)	2	
		(ATTACHING PARTS)		
	AN960-8	. . WASHER	8	
	AN960-10	. . WASHER	6	
		-----*		
	2607-500	. . STUD INSTL, Ground	3	
-4	MS20365-1032C	. . NUT	1	
-5	AN960-10	. . WASHER	3	
-6	MS20341-10	. . NUT	1	
-7	AN936A10	. . WASHER	2	
-8	AN526-1032R16	. . SCREW	1	
-9	MS25083-3PB4	. . JUMPER ASSY	1	
-10	26-4619-33	. . PANEL (Blank)	1	
	26-2606-400	. . PANEL ASSY, Rheostat, fuel boost, sta 118 (for NHA see fig. 39) .	REF	
-11	MS25166-1	. . KNOB	7	
-12	B26-052-025	. . DECAL (06327)	1	
-13	0308	. . RHEOSTAT, Model K, series A, 50w, 0.5 ohm (44655)	5	
-14	0525	. . RHEOSTAT, Model L, series A, 150w, 1 ohm (44655)	2	
		(ATTACHING PARTS)		
	AN935-10	. . WASHER	2	
	AN960-416	. . WASHER	2	
	AN509-10R8	. . SCREW	2	
		-----*		
-15	MS25123-2-15	. . TERMINAL BOARD	1	
	MS20365-440	. . NUT	3	
	AN507-440-4	. . SCREW	3	
-16	G51H-A	. . GROMMET (03296)	1	
-17	26-2606-3	. . PANEL (Blank)	1	
	26-2612-1	. . PANEL ASSY, Pilots terminal fwd sta 150 (for NHA see fig. 40) . .	REF	
-18	MS25123-1-20	. . TERMINAL BOARD	4	
		(ATTACHING PARTS)		
	LS605-16-1	. . SPACER, Sleeve (03033)	12	
	AN515-6R24	. . SCREW	12	
		-----*		
	26-4612-1	. . PANEL ASSY, Audio loading, sta 150 RH side	1	
		(ATTACHING PARTS)		
	AN515-10R8	. . SCREW	4	
		-----*		
-19	26-4612-7	. . PLATE, Cover	1	
		(ATTACHING PARTS)		
	AN515-6R24	. . SCREW	4	
	LS605-16-1-2	. . SPACER (03033)	8	
		-----*		
	26-4612-5	. . LOADING ASSY, Audio	1	
		(ATTACHING PARTS)		
	AN515-6R16	. . SCREW	2	
	LS605-16-1-2	. . SPACER, Sleeve (03033)	2	
		-----*		
-20	RC20GF151K	. . RESISTOR	15	
-21	15033	. . TERMINAL BOARD (91833)	1	
-22	26-4612-3	. . PLATE, Audio loading	1	
-23	26-2612-3	. . PANEL (Blank)	1	

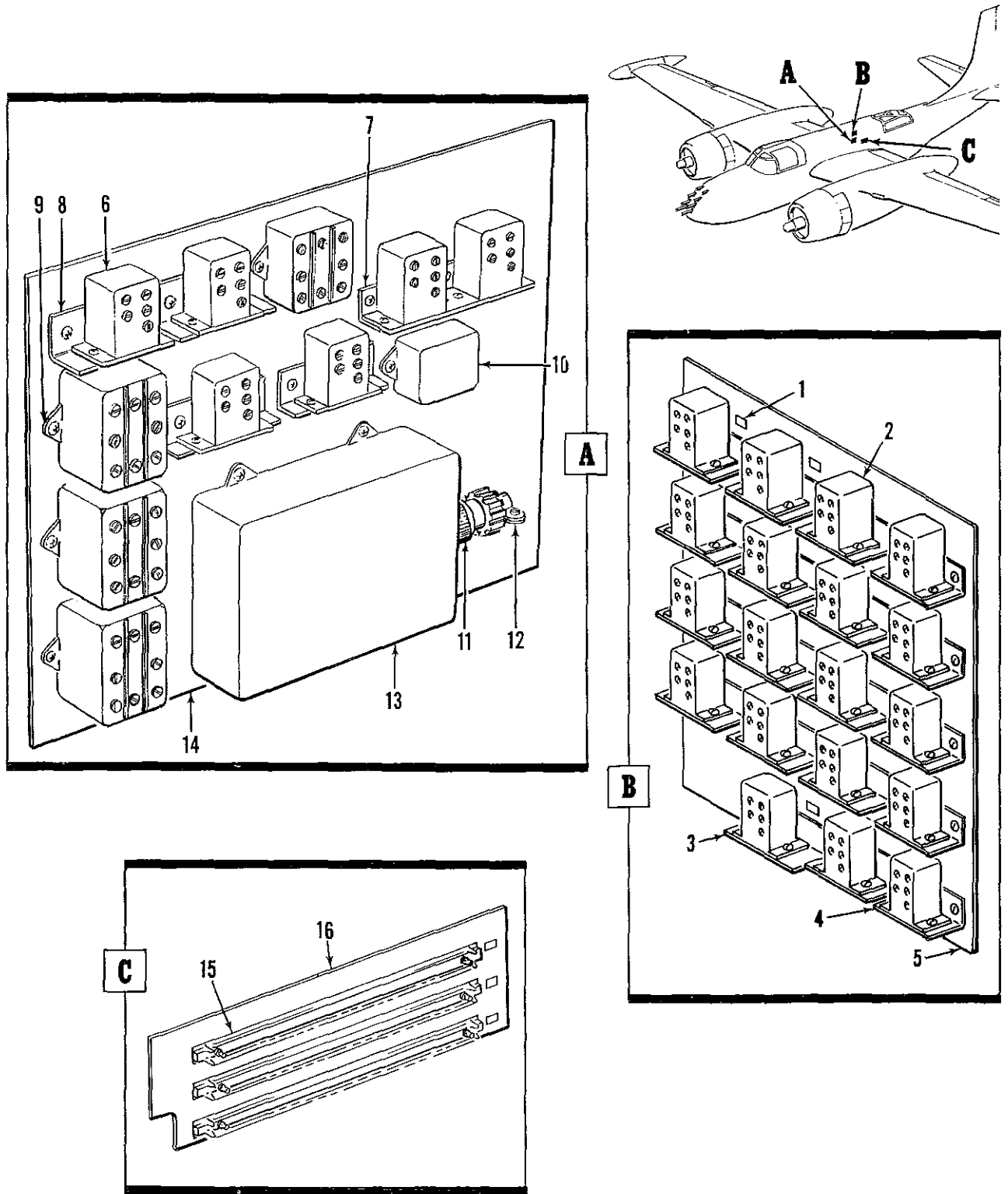


Figure 45. Aft Bomb Bay Upper and Lower Relay and Camera Terminal Panel Assemblies

Section II
Group Assembly Parts List

T.O. 1B-26K-4

FIG. AND INDEX NO.	PART NUMBER	DESCRIPTION	UNITS PER ASSY	USABLE ON CODE
45-		AFT BOMB BAY UPPER AND LOWER RELAY AND CAMERA TERMINAL PANEL ASSEMBLIES		
	26-2616-400 PANEL ASSY, Relay, aft bomb bay upper, sta 209 (for NHA see fig. 40)	REF	
-1	NO NUMBER DECAL (06327) (K20 through K37 and K83)	19	
-2	AN3314-1 RELAY (ATTACHING PARTS)	19	
	MS20365-832 NUT.	38	
	AN960-8 WASHER.	38	
	AN526-832R8 SCREW. -----*-----	38	
-3	26-2616-5 BRACKET.	1	
-4	26-2619-1 BRACKET, Relay support (ATTACHING PARTS)	18	
	AN960-8 WASHER.	38	
	AN526-832R8 SCREW. -----*-----	38	
-5	26-2616-3 PANEL	1	
	26-2617-400 PANEL ASSY, Relay, aft bomb bay lower, sta 209, LH (for NHA see fig. 40)	REF	
-6	AN3314-1 RELAY. (ATTACHING PARTS)	6	
	MS20365-832A NUT.	12	
	AN960-8 WASHER.	12	
	AN515-8R8 SCREW. -----*-----	12	
-7	26-2647-1 BRACKET, Dual relay	1	
-8	26-2619-1 BRACKET, Relay support	4	
-9	MS24149D1 RELAY.	4	
-10	9274-3833 RELAY, Armature (35344) (ATTACHING PARTS)	1	
	AN960-8 WASHER.	21	
	AN515-8R8 SCREW. -----*-----	21	
-11	MS3106E22-20S CONNECTOR.	1	
-12	MS3057-12B ADAPTER.	1	
-13	ANA1 RELAY, Armature (37942). (ATTACHING PARTS)	1	
	AN960-10 WASHER.	4	
	AN520-10R8 SCREW. -----*-----	4	
-14	26-2617-3 PANEL, Blank.	1	
	26-3604-1 PANEL ASSY, Terminal, camera, sta 240 LH (for NHA see fig. 40) .	REF	
-15	MS25123-1-20 TERMINAL BOARD (ATTACHING PARTS)	3	
	AN515-6R24 SCREW.	9	
	LS605-16-1 SPACER, Sleeve (03033) -----*-----	9	
-16	26-3604-3 PANEL	1	

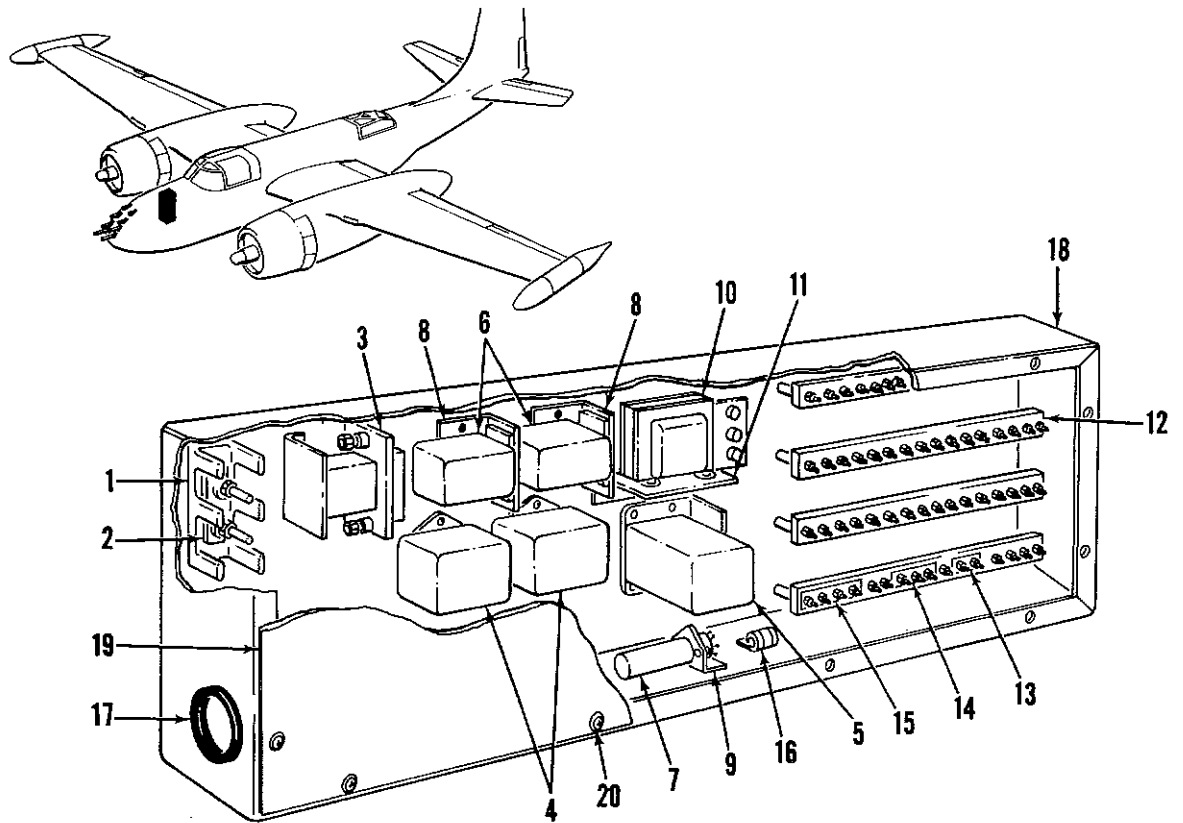


Figure 46. Station 0 Junction Box Assembly

FIG. AND INDEX NO.	PART NUMBER	DESCRIPTION	UNITS PER ASSY	USABLE ON CODE
46- -1	26-2620-400	JUNCTION BOX ASSY, sta 0 (for NHA see fig. 39)	REF	
	MS25123-4-2	. TERMINAL BOARD	1	
	AN515-8R8	. (ATTACHING PARTS)		
		. SCREW	2	
		-----*		
-2	MS25226-8-2	. BUS, Terminal board	2	
-3	MS24166D1	. RELAY	1	
-4	MS24149D1	. RELAY	2	
-5	9274-3833	. RELAY, Armature (35344).	1	
		. (ATTACHING PARTS)		
	AN515-8R8	. SCREW	10	
	AN960-8	. WASHER	10	
		-----*		
-6	AN3314-1	. RELAY	2	
		. (ATTACHING PARTS)		
	MS20365-832	. NUT	4	
	AN960-8L	. WASHER	4	
	AN526-832R8	. SCREW	4	
		-----*		
-7	HF01N0-28	. RELAY, Time delay (93929)	1	
		. (ATTACHING PARTS)		
	MS20365-440	. NUT	2	
	AN960-4	. WASHER	2	
	AN515-4R6	. SCREW	2	
		-----*		
-8	26-2619-1	. BRACKET, Relay support	2	
		. (ATTACHING PARTS)		
	AN960-8	. WASHER	4	

Section II
Group Assembly Parts List

T.O. 1B-26K-4

FIG. AND INDEX NO.	PART NUMBER	DESCRIPTION 1 2 3 4 5 6 7	UNITS PER ASSY	USABLE ON CODE
46-	AN515-8R8	. SCREW	4	
		----*----		
-9	26-2620-2	. BRACKET	1	
		(ATTACHING PARTS)		
	MS20365-832	. NUT	2	
	AN960-8	. WASHER	2	
	AN515-8R8	. SCREW	2	
		----*----		
-10	9T3942021	. TRANSFORMER (24446)	1	
-11	26-2620-1	. BRACKET	1	
		(ATTACHING PARTS)		
	AN960-8	. WASHER	2	
	AN515-8R8	. SCREW	2	
		----*----		
-12	MS25123-1-16	. TERMINAL BOARD	4	
		(ATTACHING PARTS)		
	AN515-6R16	. SCREW	12	
	LS605-16-1-2	. SPACER (03033)	12	
		----*----		
-13	MS25226-2-2	. BUS, Terminal board	1	
-14	MS25226-2-3	. BUS, Terminal board	1	
-15	MS25226-2-4	. BUS, Terminal board	1	
-16	MS21919DG5	. CLAMP	1	
		(ATTACHING PARTS)		
	MS20365-1032	. NUT	1	
	AN960-10	. WASHER	1	
	AN526-1032-8	. SCREW	1	
		----*----		
-17	G51A	. GROMMET (03296)	1	
-18	26-2620-3	. BOX ASSY.	1	
-19	26-2620-9	. COVER	1	
-20	26S39-1	. STUD, Turnlock fastener (71286)	12	

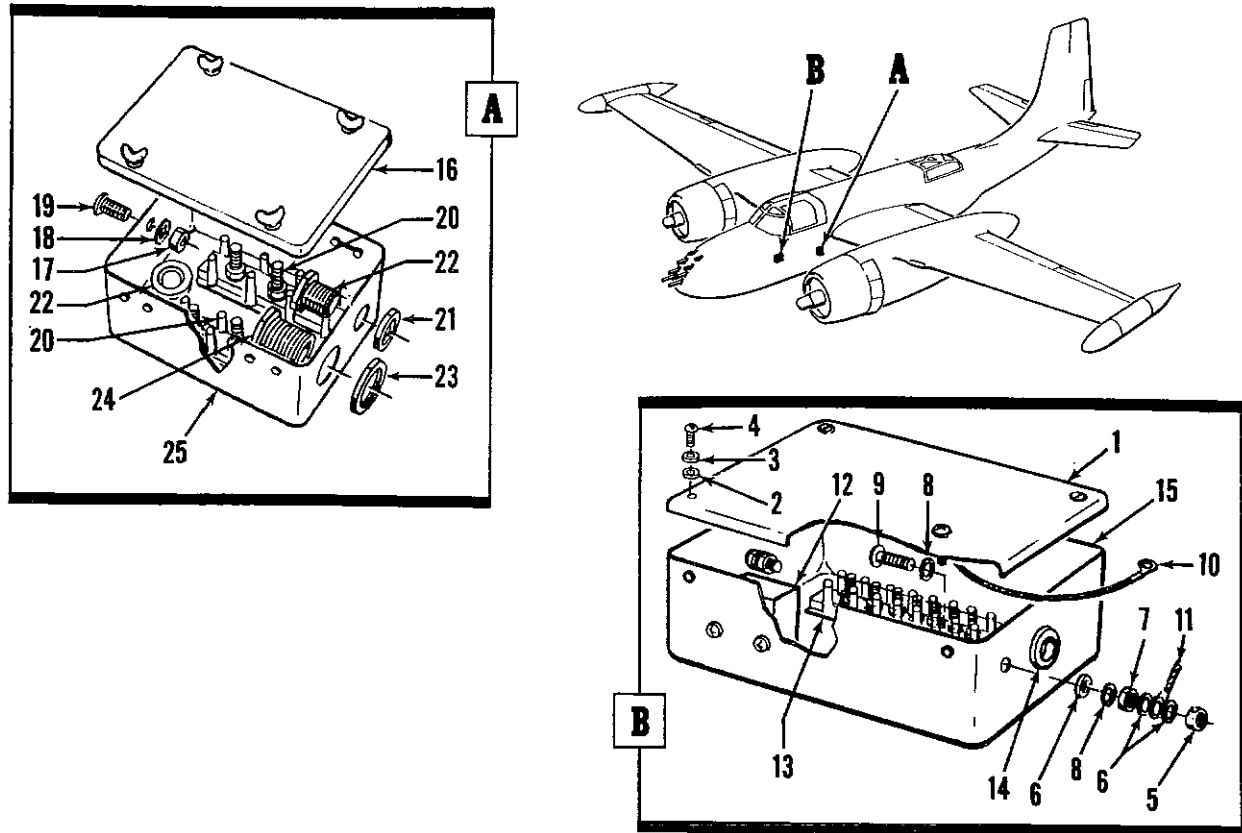


Figure 47. Nose Wheel and Ignition Junction Box Assemblies

FIG. AND INDEX NO.	PART NUMBER	DESCRIPTION	UNITS PER ASSY							USABLE ON CODE	
			1	2	3	4	5	6	7		
47-		NOSE WHEEL AND IGNITION JUNCTION BOX ASSEMBLIES									
	26-2630-1	JUNCTION BOX ASSY, Nose wheel, sta 50 (for NHA see fig. 39)									REF
	26-2630-5	COVER ASSY.									1
-1	MT2436-063-010	COVER (76561)									1
-2	AN960D8	WASHER									4
-3	AN935-8	WASHER									4
-4	1-170-2	SCREW (76561)									4
	2607-500	STUD INSTL, Ground									4
-5	MS20365-1032C	NUT									1
-6	AN960-10	WASHER									3
-7	MS20341-10	NUT									1
-8	AN936A10	WASHER									2
-9	AN526-1032R14	SCREW									1
-10	26-2651-1	CORD ASSY, Junction box									1
-11	26-2645-1	CABLE ASSY, Bond strap									1
-12	AN3314-1	RELAY									1
		(ATTACHING PARTS)									
	MS20365-832	NUT									2
	AN960-8	WASHER									4
	AN515-8R8	SCREW									2
		-----*									
-13	MS25123-2-10	TERMINAL BOARD									1
		(ATTACHING PARTS)									
	AN363C632	NUT									2
	AN960-6	WASHER									2
	AN515-6R6	SCREW									2
		-----*									
-14	MS35489-10-14	GROMMET									1

Section II
Group Assembly Parts List

T.O. 1B-26K-4

FIG. AND INDEX NO.	PART NUMBER	DESCRIPTION	UNITS PER ASSY	USABLE ON CODE
47-15	26-2630-3	. . BOX (Altered from MT14361-063-516 (76561))	1	
	26-2636-1	. JUNCTION BOX ASSY, Ignition, sta 90 (for NHA see fig. 39)	REF	
-16	26-2636-5	. . COVER (Altered from 4125441-6 (18355))	1	
-17	MS20341-10	. . NUT	1	
-18	AN960-10	. . WASHER	1	
-19	AN526-1032R10	. . SCREW	1	
-20	MS25123-1-4	. . TERMINAL BOARD	2	
		(ATTACHING PARTS)		
	AN507-632R6	. . SCREW	4	
-21	AN3066-6	. . NUT	2	
		-----*		
-22	AN3064-6	. . BOX CONNECTOR, Electrical	2	
-23	AN3066-10	. . NUT	1	
-24	AN3064-10	. . BOX CONNECTOR, Electrical	1	
-25	26-2636-3	. . BOX (Altered from 4125441-128S (18355))	1	

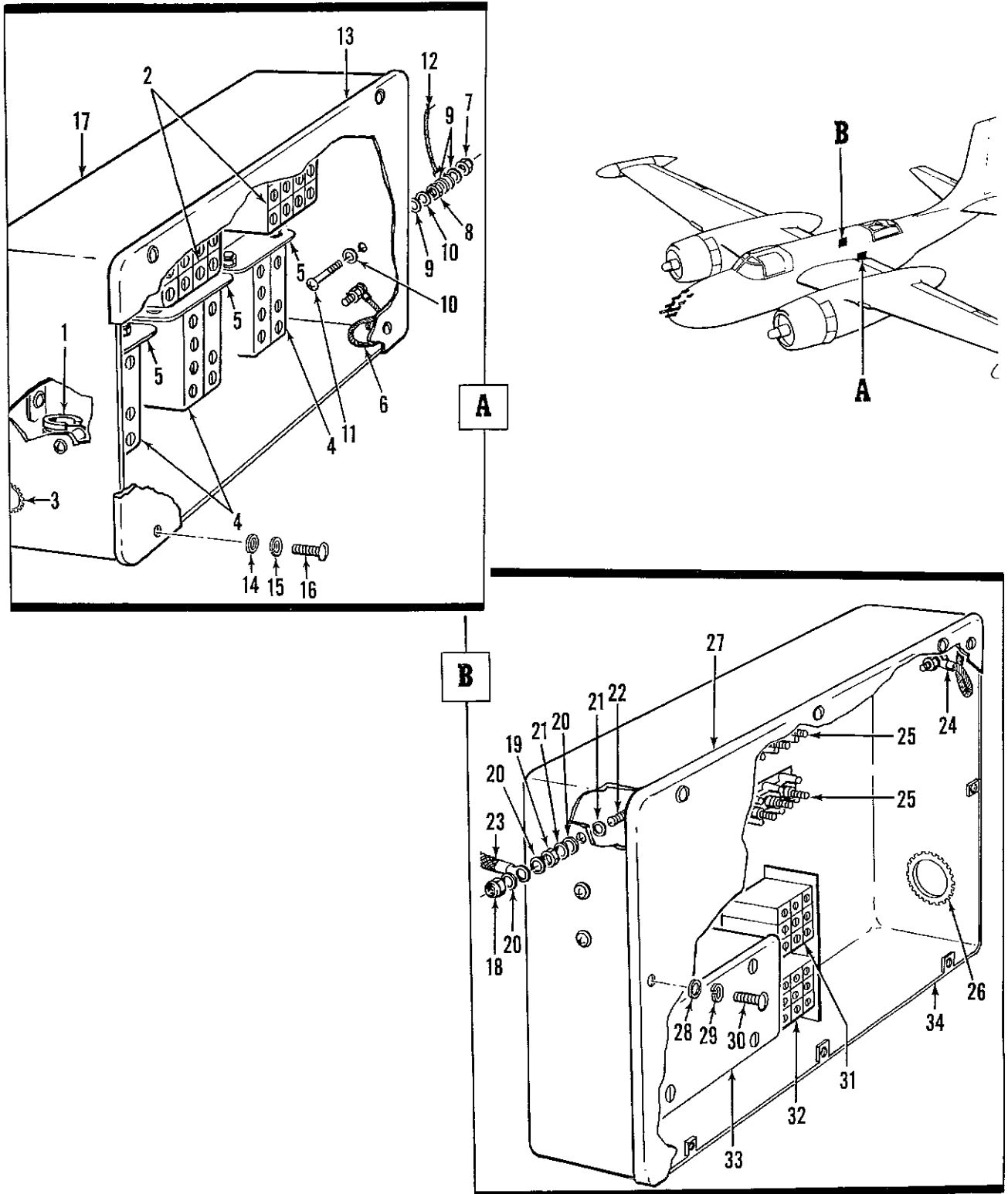


Figure 48. Jettison Relay and MM2 Junction Box Assemblies

Section II
Group Assembly Parts List

T.O. 1B-26K-4

FIG. AND INDEX NO.	PART NUMBER	DESCRIPTION 1 2 3 4 5 6 7	UNITS PER ASSY	USABLE ON CODE
48-		JETTISON RELAY AND MM2 JUNCTION BOX ASSEMBLIES		
-1	26-2629-400 MS21919DG12	. JUNCTION BOX ASSY, Jettison relay, sta 240 (for NHA see fig. 40). . . CLAMP (ATTACHING PARTS)	REF 1	
	MS20365-1032	. . NUT.	1	
	AN960-10L	. . WASHER.	3	
	LS607-16	. . SPACER, Sleeve (03033)	1	
	AN526-1032R16	. . SCREW.	1	
		-----*-----		
-2	MS25024-2	. . RELAY. (ATTACHING PARTS)	2	
	AN526-832R8	. . SCREW.	8	
	AN960-8L	. . WASHER.	8	
		-----*-----		
-3	G51HA	. . GROMMET (03296)	1	
-4	AN3314-1	. . RELAY. (ATTACHING PARTS)	3	
	MS20365-832	. . NUT.	6	
	AN960-8L	. . WASHER.	12	
	AN526-832R8	. . SCREW.	6	
		-----*-----		
-5	26-2619-1	. . BRACKET, Relay support (ATTACHING PARTS)	3	
	AN526-832R8	. . SCREW.	6	
	AN960-8L	. . WASHER.	6	
		-----*-----		
-6	26-2651-1	. . CORD ASSY, Junction box (ATTACHING PARTS)	1	
	MS20365-832	. . NUT.	2	
	AN960-8L	. . WASHER.	6	
	AN526-832R8	. . SCREW.	2	
		-----*-----		
	2607-500	. . STUD ASSY, Ground	1	
-7	MS20365-1032C	. . NUT.	1	
-8	MS20341-10	. . NUT.	1	
-9	AN960-10	. . WASHER.	3	
-10	AN936A10	. . WASHER.	2	
-11	AN526-1032R16	. . SCREW.	1	
-12	26-2645-1	. . CABLE ASSY, Bond strap	1	
	26-2629-3	. . COVER ASSY, Junction box	1	
-13	MT2023-500-010	. . COVER (76561)	1	
-14	AN960D8	. . WASHER.	4	
-15	AN935-8	. . WASHER.	4	
-16	1-170-2	. . SCREW (76561)	4	
-17	26-2629-1	. . ENCLOSURE ASSY (Riveted)	1	
	26-2637-400	. . JUNCTION BOX ASSY, MM2, sta 223.5 (for NHA see fig. 40)	REF	
	2607-500	. . STUD ASSY, Ground	5	
-18	MS20365-1032C	. . NUT.	1	
-19	MS20341-10	. . NUT.	1	
-20	AN960-10	. . WASHER.	3	
-21	AN936A10B	. . WASHER.	2	
-22	AN526-1032R16	. . SCREW.	1	
-23	26-2645-1	. . CABLE ASSY, Bond strap	1	
-24	26-2651-1	. . CORD ASSY, Junction box	1	
-25	MS25123-1-15	. . TERMINAL BOARD (ATTACHING PARTS)	2	
	AN515-6R12	. . SCREW.	6	
	LS607-16	. . SPACER, Sleeve (03033)	6	
		-----*-----		
-26	G51HA	. . GROMMET (03296)	1	
	26-2637-5	. . COVER ASSY, Junction box	1	
-27	MT3601-063-008	. . COVER (76561)	1	
-28	AN960D8	. . WASHER.	6	
-29	AN935-8	. . WASHER.	6	
-30	1-170-2	. . SCREW (76561)	6	
-31	9272-3318	. . RELAY, Armature (35344)	1	

FIG. AND INDEX NO.	PART NUMBER	DESCRIPTION	UNITS PER ASSY	USABLE ON CODE
48-32	MS24149D1	. . RELAY. (ATTACHING PARTS)	1	
	AN515-8R8	. . SCREW.	4	
	AN960-8	. . WASHER. ----*----	4	
-33	1PA1000	. . ADAPTER, Type 1, phase (63510) (ATTACHING PARTS)	1	
	AN515-10R8	. . SCREW.	4	
	AN960-10	. . WASHER. ----*----	4	
-34	26-2637-1	. . BOX, Junction (riveted).	1	

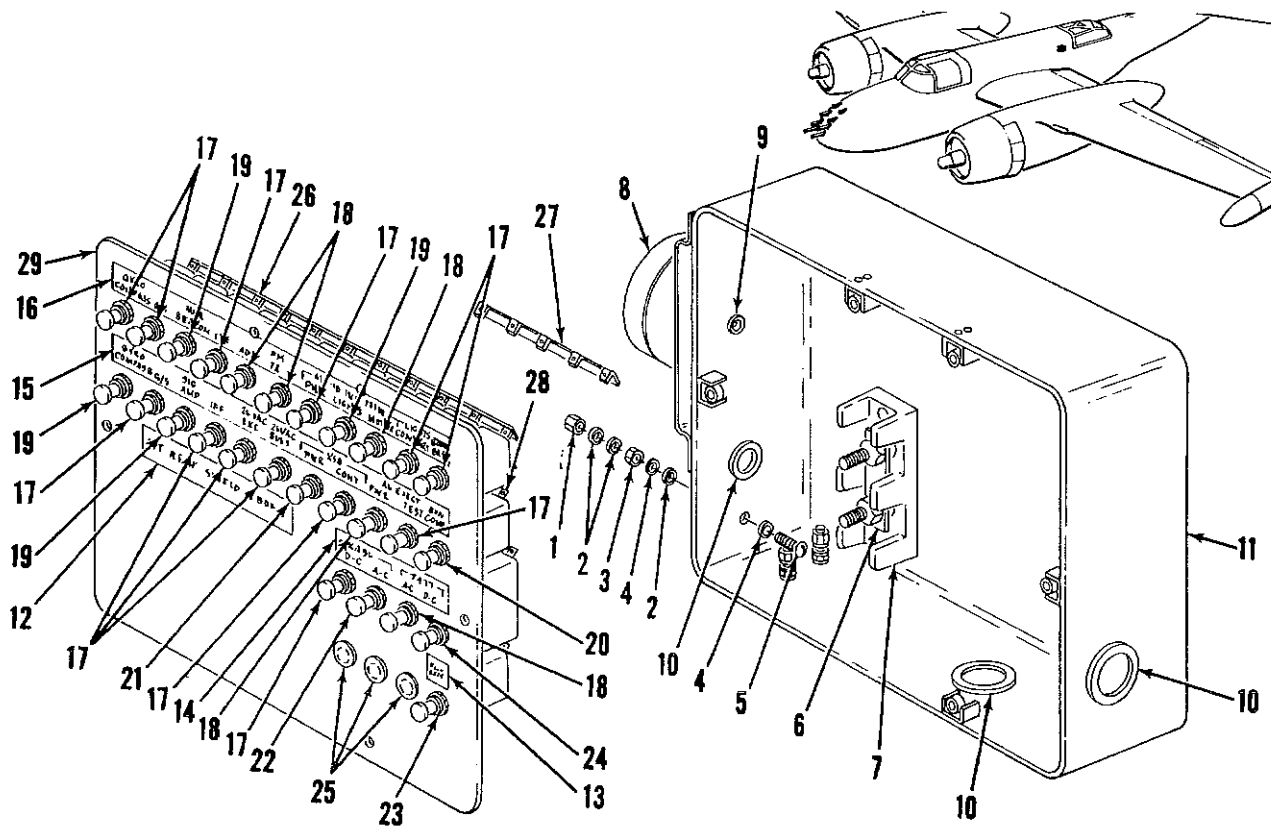


Figure 49. Aft Relay Shield, Sta. 285 Junction Box Assembly

FIG. AND INDEX NO.	PART NUMBER	DESCRIPTION	UNITS PER ASSY	USABLE ON CODE
49-	26-2646-1	JUNCTION BOX ASSEMBLY, Aft relay shield, sta 285	REF	
	2607-500	. STUD INSTL GROUND	3	
-1	MS20365-1032C	. . . NUT	1	
-2	AN960-10	. . . WASHER	3	
-3	MS20341-10	. . . NUT	1	
-4	AN936A10	. . . WASHER	2	
-5	AN526-1032R16	. . . SCREW	1	
-6	MS25226-8-2	. BUS, Terminal board	2	
		(ATTACHING PARTS)		
	AN345-516	. . . NUT	2	
	AN960-516	. . . WASHER	2	
-7	MS25123-4-2		
		. TERMINAL BOARD	1	
		(ATTACHING PARTS)		
	AN340-6	. . . NUT	2	
	AN960-6	. . . WASHER	2	
	AN515-6R6	. . . SCREW	2	
-8	5939GLM	. . . BELL, Alarm (19557)	1	
		(ATTACHING PARTS)		
	AN530-8-8	. . . SCREW	3	
-9	AN931-3-5	. . . GROMMET	1	
-10	G51H-A	. . . GROMMET	AR	
-11	26-2646-1	. . . JUNCTION BOX, (Altered from 5195572 (18355))	1	
	26-2631-1	. . . SHIELD COVER ASSY, Aft relay sta 285	1	
			5	

FIG. AND INDEX NO.	PART NUMBER	DESCRIPTION 1 2 3 4 5 6 7	UNITS PER ASSY	USABLE ON CODE
49-		(ATTACHING PARTS)		
	AN960-8	. WASHER	6	
	AN526-332R9	. SCREW	6	
		-----*-----		
-12	B26-056-011	. . DECAL (06327)	1	
-13	B26-056-014	. . DECAL (06327)	1	
-14	B26-056-015	. . DECAL (06327)	1	
-15	B26-056-013	. . DECAL (06327)	1	
-16	B26-056-012	. . DECAL (06327)	1	
-17	MS25244-5	. . CIRCUIT BREAKER	13	
-18	MS25244-10	. . CIRCUIT BREAKER	5	
-19	MS25244-2	. . CIRCUIT BREAKER	4	
-20	MS25244-35	. . CIRCUIT BREAKER	1	
-21	MS25244-25	. . CIRCUIT BREAKER	1	
-22	MS25244-3	. . CIRCUIT BREAKER	1	
-23	MS25244-7	. . CIRCUIT BREAKER	1	
-24	D6753-1	. . CIRCUIT BREAKER (82647)	1	
		(ATTACHING PARTS)		
	AN515-6R6	. . SCREW	2	
	AN960-6	. . WASHER	2	
		-----*-----		
-25	BS51117	. . PLUG, Panel (00194)	3	
-26	3V7-10-28-11	. . BUS BAR (91812)	1	
-27	3V7-10-28-6	. . BUS BAR (91812)	1	
-28	3V7-10-28-4	. . BUS BAR (91812)	1	
-29	26-2631-3	. . COVER	1	

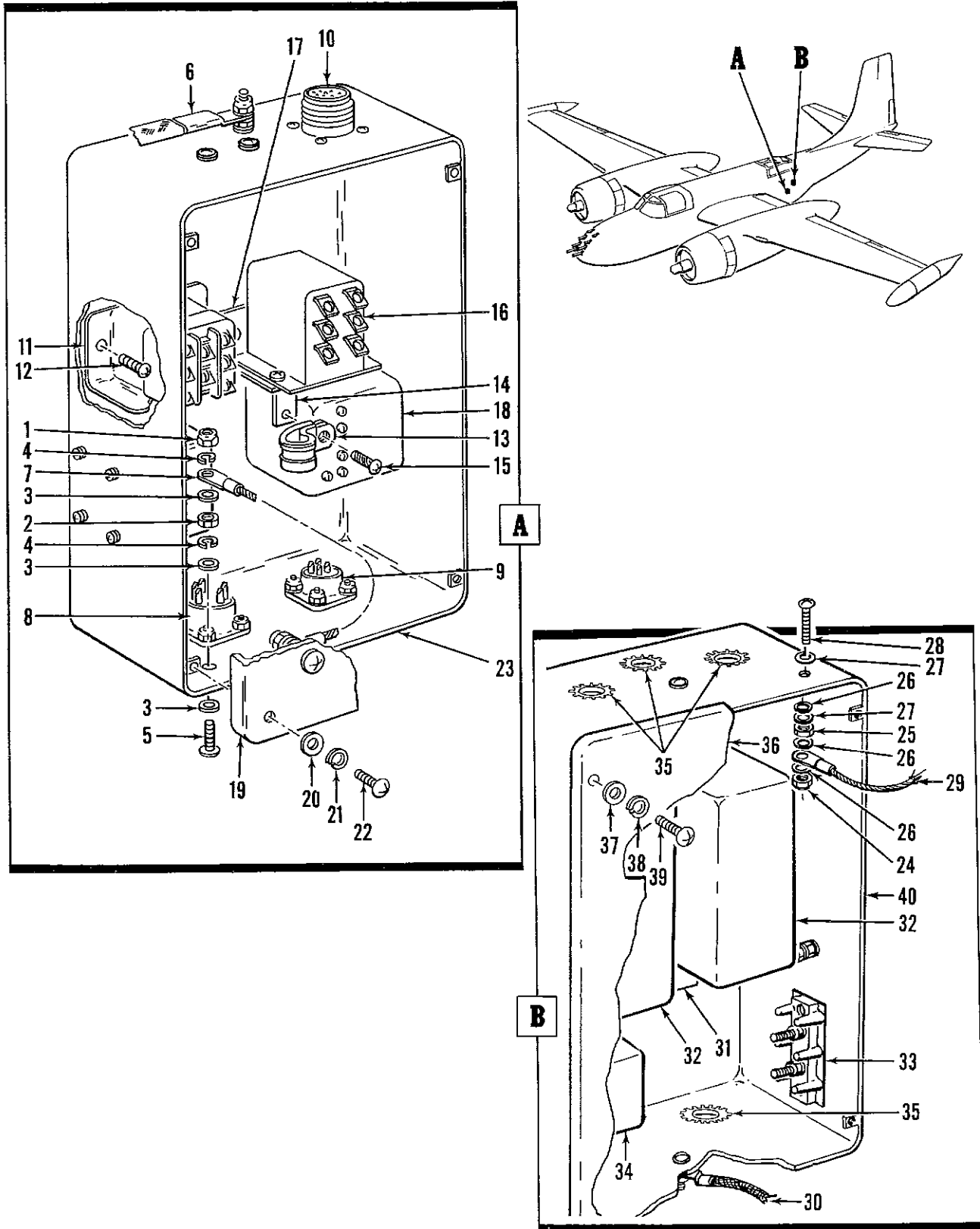


Figure 50. P2 Strike Camera and Inverter Junction Box Assemblies

FIG. AND INDEX NO.	PART NUMBER	DESCRIPTION	UNITS PER ASSY	USABLE ON CODE		
					1	2
50-	26-2715-1	P2 STRIKE CAMERA AND INVERTER JUNCTION BOX ASSEMBLIES . JUNCTION BOX ASSY, P2 strike camera, sta 296 (for NHA see fig. 40)	REF			
	2607-500	. . . STUD INSTL, Ground.	5			
-1	MS20365-1032C	. . . NUT	1			
-2	MS20341-10	. . . NUT	1			
-3	AN960-10	. . . WASHER	3			
-4	AN936A10	. . . WASHER	2			
-5	AN526-1032R16	. . . SCREW	1			
-6	26-2645-1	. . . CABLE ASSY, Bond strap.	1			
-7	26-2651-1	. . . CORD ASSY, Junction box	1			
-8	MS3102A18-8S	. . . CONNECTOR	1			
-9	MS3102A14S2S	. . . CONNECTOR	1			
-10	MS3102A18-1P	. . . CONNECTOR (ATTACHING PARTS)	1			
	MS20365-440A	. . . NUT	4			
	AN960-4L	. . . WASHER	4			
	AN515-4R6	. . . SCREW -----*-----	4			
-11	MS24149D1	. . . RELAY (ATTACHING PARTS)	1			
-12	AN515-8R8	. . . SCREW -----*-----	2			
-13	MS21919D4	. . . CLAMP (ATTACHING PARTS)	1			
	AN530B8-8	. . . SCREW	1			
	AN960-8	. . . WASHER -----*-----	1			
-14	A6236-8Z3	. . . BRACKET (78553). (ATTACHING PARTS)	1			
-15	AN530B8-8	. . . SCREW -----*-----	1			
-16	AN3314-1	. . . RELAY (ATTACHING PARTS)	1			
	MS20365-832A	. . . NUT	1			
	AN960-8	. . . WASHER	2			
	AN515-8R8	. . . SCREW -----*-----	1			
-17	26-2619-1	. . . BRACKET, Relay support (ATTACHING PARTS)	1			
	AN515-8R8	. . . SCREW -----*-----	2			
-18	36548	. . . RELAY, Time delay, type B9A (73949). (ATTACHING PARTS)	2			
	AN960-6	. . . WASHER	8			
	AN936A6	. . . WASHER	8			
	AN515-6R6	. . . SCREW -----*-----	8			
	26-2715-5	. . . COVER ASSY, Junction box	1			
-19	MT2023-050-008	. . . COVER (76561).	1			
-20	AN960D8	. . . WASHER	4			
-21	AN935-8	. . . WASHER	4			
-22	1-170-2	. . . SCREW (76561).	4			
-23	26-2715-3	. . . JUNCTION BOX	1			
	26-2654-400	. . . JUNCTION BOX ASSY, Inverter, sta 296 (for NHA see fig. 40).	REF			
	2607-500	. . . STUD INSTL, Ground	5			
-24	MS20365-1032C	. . . NUT	1			
-25	MS20341-10	. . . NUT	1			

Section II
Group Assembly Parts List

T.O. 1B-26K-4

FIG. AND INDEX NO.	PART NUMBER	DESCRIPTION							UNITS PER ASSY	USABLE ON CODE
		1	2	3	4	5	6	7		
50-26	AN960-10	.	.	.	WASHER.	.	.	.	3	
-27	AN960A10	.	.	.	WASHER.	.	.	.	2	
-28	AN526-1032R16	.	.	.	SCREW.	.	.	.	1	
-29	26-2651-1	.	.	.	CORD ASSY, Junction box	.	.	.	1	
-30	26-2645-1	.	.	.	CABLE ASSY, Bond strap	.	.	.	1	
-31	26-2654-1	.	.	.	BUS BAR	.	.	.	1	
					(ATTACHING PARTS)					
	AN515-8R8	.	.	.	SCREW.	.	.	.	2	
					-----*-----					
-32	7236-1-150	.	.	.	CONTROL, Overload sensing (35344).	.	.	.	2	
					(ATTACHING PARTS)					
	AN515-8R8	.	.	.	SCREW.	.	.	.	2	
					-----*-----					
-33	MS25123-1-2	.	.	.	TERMINAL BOARD	.	.	.	1	
					(ATTACHING PARTS)					
	AN515-6R8	.	.	.	SCREW.	.	.	.	2	
					-----*-----					
-34	9272-3318	.	.	.	RELAY, Armature (35344)	.	.	.	1	
					(ATTACHING PARTS)					
	AN515-8R8	.	.	.	SCREW.	.	.	.	2	
					-----*-----					
-35	G51H-A	.	.	.	GROMMET (03296)	.	.	.	4	
	26-2654-5	.	.	.	COVER ASSY, Junction box	.	.	.	1	
-36	MT2023-050-250	.	.	.	COVER (76561)	.	.	.	1	
-37	AN960D8	.	.	.	WASHER.	.	.	.	4	
-38	AN935-8	.	.	.	WASHER.	.	.	.	4	
-39	1-170-2	.	.	.	SCREW (76561)	.	.	.	4	
-40	26-2654-7	.	.	.	JUNCTION BOX (Riveted)	.	.	.	1	

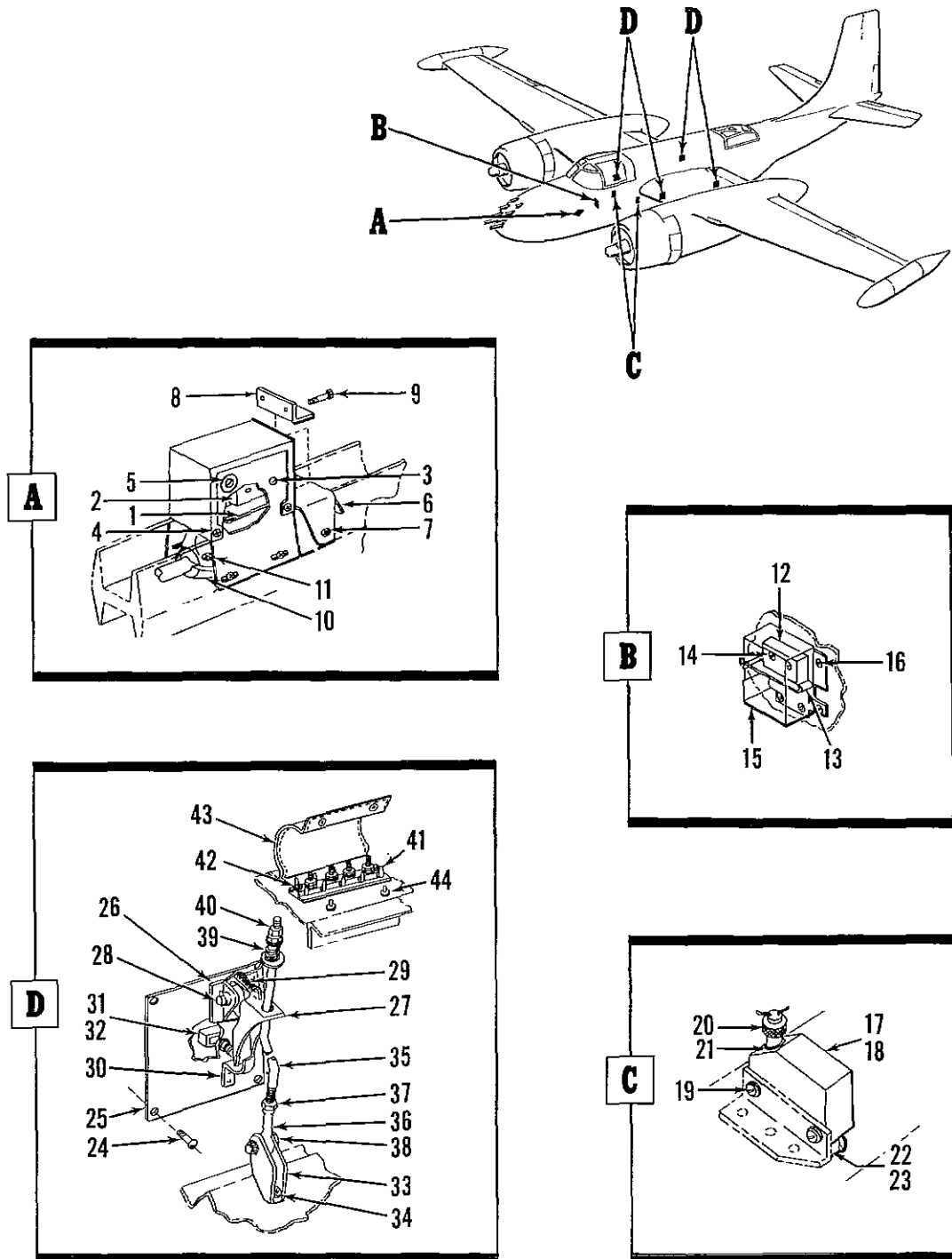


Figure 51. Nose Wheel Latch Down, Bomb Bay Door Closed, and Bomb Door Safety Switch Installations

Section II
Group Assembly Parts List

T.O. 1B-26K-4

FIG. AND INDEX NO.	PART NUMBER	DESCRIPTION	UNITS PER ASSY	USABLE ON CODE
51-		NOSE WHEEL LATCH DOWN, BOMB BAY DOOR CLOSED, AND	REF	
	5206709	BOMB DOOR SAFETY SWITCH INSTALLATIONS	REF	
		SWITCH INSTL, Nose wheel latch down (18355) (for NHA	REF	
		see fig. 39)		
	4206708	SUPPORT ASSY, Nose wheel latch down switch (18355)	1	
-1	9-10831	ACTUATOR (91929)	1	
-2	MS25026-1	SWITCH	1	
		(ATTACHING PARTS)		
	MS20365-632	NUT	2	
	AN960D6	WASHER	4	
	2033900-5D049-016	SPACER, Sleeve (18355)	4	
-3	AN515-6-40	SCREW	2	
		-----*		
	A880-6Z1	NUT, Self-locking, hexagon (78553)	4	
-4	AN530-6R6	SCREW	4	
-5	MS35489-4-7	GROMMET	1	
-6	NO NUMBER	GUARD, Nose gear retracting link mud (per T.O. 1B-26-95)	1	
		(ATTACHING PARTS)		
-7	AN515-8R5	SCREW	6	
		-----*		
-8	NO NUMBER	ANGLE, Mud guard support (per T.O. 1B-26-95)	1	
		(ATTACHING PARTS)		
	MS20365-632	NUT	2	
-9	AN515-6-8	SCREW	2	
		-----*		
-10	1151337	ACTUATOR, Nose wheel down latch switch (18355)	1	
-11	AN515-6R8	SCREW	1	
	AN935-6	WASHER	1	
	5206024	SWITCH INSTL, Nose gear latched up (18355)(for NHA see fig. 39)	REF	
-12	MS25026-1	SWITCH	1	
-13	9-10831	ACTUATOR (91929)	1	
		(ATTACHING PARTS)		
	MS20365-632	NUT	2	
	2033900-5D049-018	SPACER, Sleeve (18355)	2	
	AN960-6	WASHER	2	
	2208541	SPACER, Sleeve (18355)	2	
-14	AN515-6-28	SCREW	2	
		-----*		
-15	2206030	COVER, Nose gear latched up switch (18355)	1	
		(ATTACHING PARTS)		
	A1778-8Z1	NUT, Self-locking, hexagon (78533)	4	
	AN960-8	WASHER	4	
-16	AN530-8R8	SCREW	4	
		-----*		
	3207804	SWITCH INSTL, Bomb bay door closed (18355) (for NHA see fig. 39)	REF	
-17	MS25026-1	SWITCH	1	
-18	PSH3206L	HOUSING (77221)	1	
	PSH3206R	HOUSING (77221)	1	
		(ATTACHING PARTS)		
-19	AN515-8R8	SCREW	4	
	AN960D8	WASHER	4	
	AN935-8L	WASHER	4	
		-----*		
-20	AN3054-6	NUT	2	
-21	MS35489-3-9	GROMMET	2	
-22	1023500	STUD (18355)	2	
-23	AN315-3R	NUT	2	
	5207691	SWITCH INSTL, Bomb door safety (18355) (for NHA see	REF	A
		figs.39 and 40)		
	5205069	SWITCH INSTL, Bomb door safety (18355) (for NHA see	REF	B
		figs.39 and 40)		
	4207845	BASE ASSY, Bomb door safety switch actuating LH (18355)	1	A
	4207845-1	BASE ASSY, Bomb door safety switch actuating RH (18355)	1	A
	4205082	BASE ASSY, Bomb door safety switch actuating LH (18355)	1	B
	4205847	BASE ASSY, Bomb door safety switch actuating RH (18355)	1	B

FIG. AND INDEX NO.	PART NUMBER	DESCRIPTION	UNITS PER ASSY	USABLE ON CODE
51-		(ATTACHING PARTS)		
-24	AN520-10-7	SCREW	8	
		-----*		
-25	2205080	BASE, Bomb door safety switch actuating LH (18355)	1	
	2205846	BASE, Bomb door safety switch actuating RH (18355)	1	
-26	4205081	HINGE, Bomb door safety switch actuating (18355)	1	
-27	4205083	PAWL, Bomb door safety switch actuating (18355)	1	
-28	MS20392-2C37	PIN	1	
	AN960-10	WASHER	2	
-29	1205147	SPRING, Pawl retaining (18355)	1	
-30	1205077	CLIP, Bomb door safety switch pawl retaining (18355)	1	
-31	BZ2RQ1A2	SWITCH, Micro (91929)	2	
-32	29-761	RING, Locking (88140)	2	
-33	2126740	BRACKET, Bomb rack control lock door actuating (18355)	2	
		(ATTACHING PARTS)		
-34	AN520-10-10	SCREW	4	
	AN960D10	WASHER	4	
		-----*		
	2207843	ROD ASSY, Bomb door safety LH or RH (18355)	2	A
	2205079	ROD ASSY, Bomb door safety switch actuating LH (18355)	1	B
	2205864	ROD ASSY, Bomb door safety RH (18355)	1	B
-35	2207842	ROD, Bomb door safety switch actuating LH or RH (18355)	1	A
	2205078	ROD, Bomb bay door safety switch actuating LH (18355)	1	B
	2205863	ROD, Bomb bay door safety switch actuating RH (18355)	1	B
-36	REB3N	END, Rod (86174)	1	
-37	AN316-4R	NUT	2	
	AN310-3	NUT	2	
-38	AN3-12	BOLT	2	
-39	119030	SPRING, Floor attaching dog (18355)	2	
-40	AN315-4R	NUT	4	
-41	NAS191-4	STRIP ASSY	2	
		(ATTACHING PARTS)		
-42	AN530-4-6	SCREW	4	
		-----*		
-43	2205141	COVER ASSY, Bomb release terminal strip (18355)	2	
-44	AN227-5B	FASTENER	4	
		A - USAF 17640 thru 17647, 17650 thru 17652, 17655, 17656, 17658, 17760 thru 17762, 17665 thru 17673, 17675, 17677 thru 17679		
		B - USAF 17648, 17649, 17653, 17654, 17657, 17659, 17663, 17664, 17674, 17676		

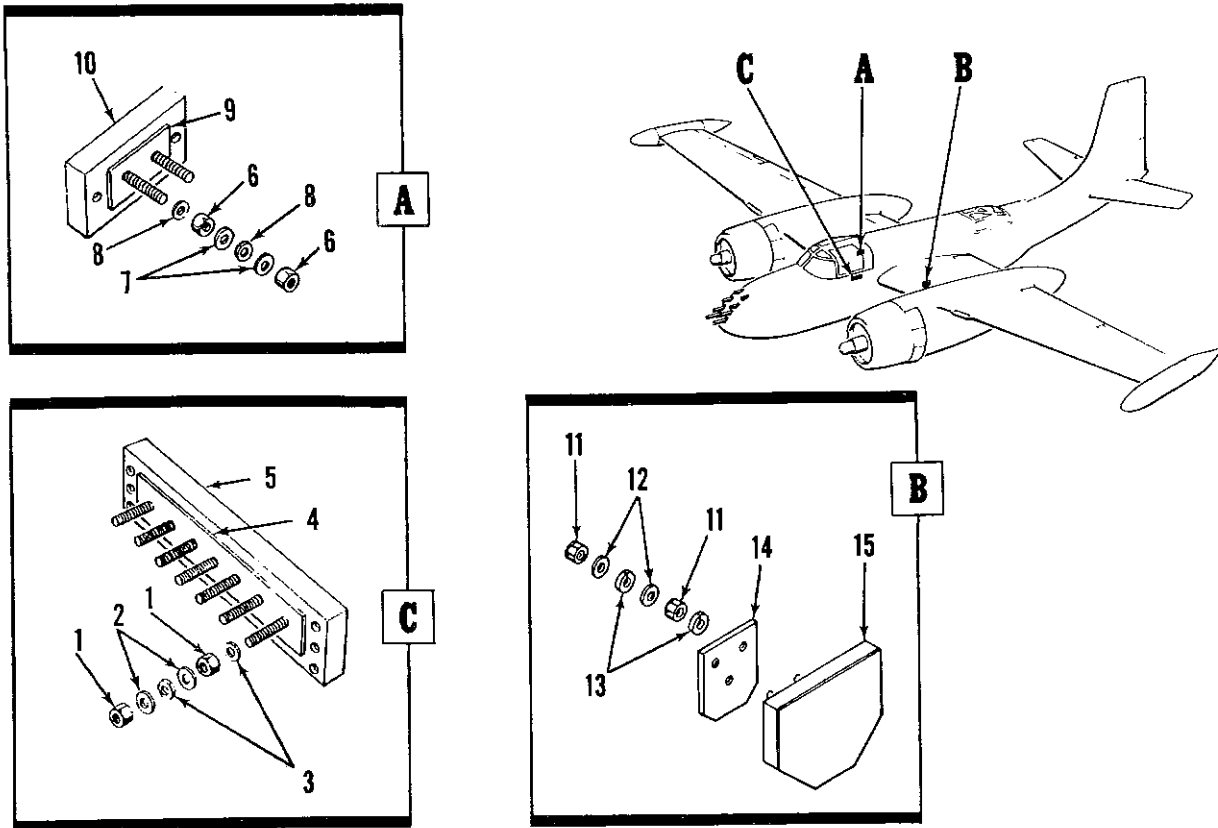


Figure 52. Bus Terminal Assemblies

FIG. AND INDEX NO.	PART NUMBER	DESCRIPTION	UNITS PER ASSY							USABLE ON CODE
			1	2	3	4	5	6	7	
52-		BUS TERMINAL ASSEMBLIES								
-1	26-2634-1 TERMINAL ASSY, Bus, LH, sta 80 (for NHA see fig. 39)								REF
-2	MS35690-611 NUT.								14
-3	AN960B616 WASHER.								14
-4	AN935B616 WASHER.								14
-5	26-2634-5 BUS BAR								1
-6	26-2634-3 BLOCK ASSY.								1
-7	26-2635-1 TERMINAL ASSY, Bus, RH, sta 110 (for NHA see fig. 39)								REF
-8	MS35690-611 NUT.								4
-9	AN960B616 WASHER.								4
-10	AN935B616 WASHER.								4
-11	26-2635-5 BUS BAR								1
-12	26-2635-3 BLOCK ASSY, Bus.								1
-13	26-2735-1 TERMINAL ASSY, Bus, LH, sta 160 (for NHA see fig. 40)								REF
-14	MS35690-611 NUT.								6
-15	AN960B616 WASHER.								6
-16	AN935B616 WASHER.								6
-17	26-2735-5 BUS BAR								1
-18	26-2735-3 BLOCK ASSY, Bus.								1

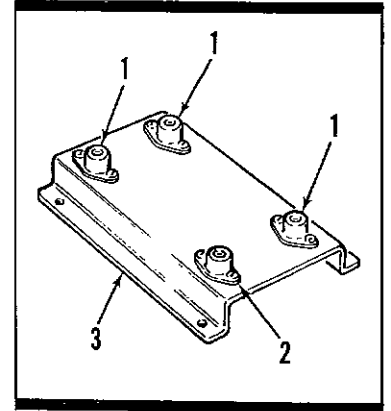
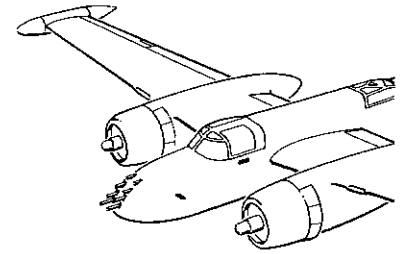
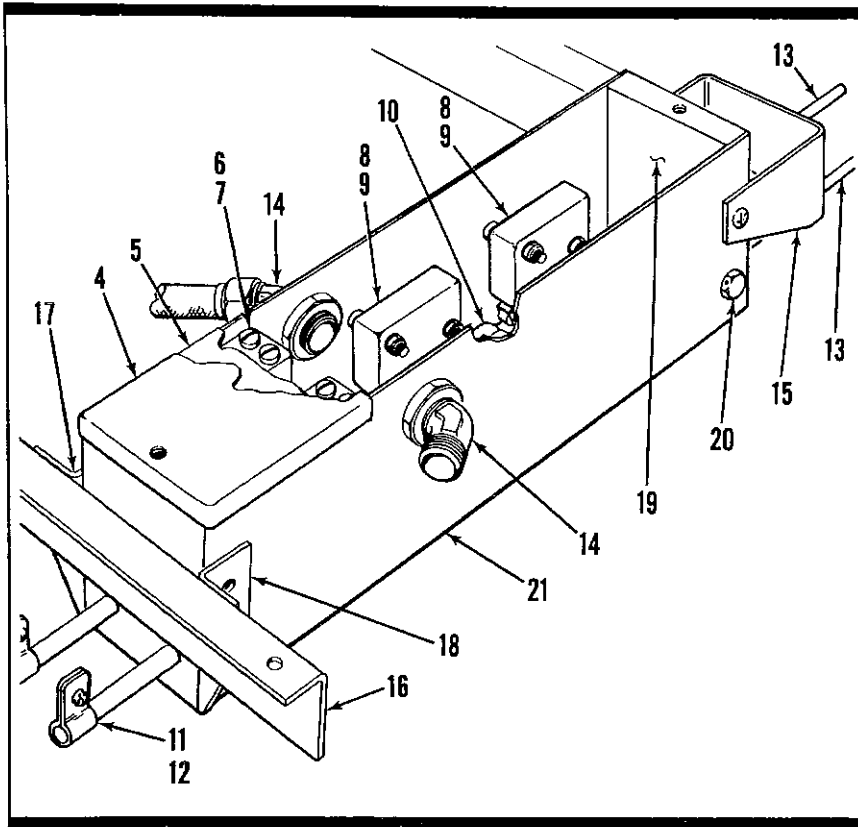


Figure 53. Hytrol Control Unit Mounting Bracket and Propeller Reverse Throttle Control Box Assemblies

FIG. AND INDEX NO.	PART NUMBER	DESCRIPTION	UNITS	USABLE ON CODE
			PER ASSY	
		1 2 3 4 5 6 7		
53-	26-2623-1	HYTROL CONTROL UNIT MOUNTING BRACKET AND PROPELLER REVERSE THROTTLE CONTROL BOX ASSEMBLIES BRACKET ASSY, Hytrol control unit mounting, sta 1 (for NHA see fig. 39)	REF	
-1	B22-BC2.0	SHOCK MOUNT (13636)	3	
-2	B22-BC1.0	SHOCK MOUNT (13636) (ATTACHING PARTS)	1	
	MS20365-832	NUT.	8	
	AN960-8L	WASHER.	8	
	NAS220-8	SCREW.	8	

-3	26-2623-3	BRACKET.	1	
	26-2200	CONTROL BOX ASSY, Propeller reverse throttle (sta 70) (for NHA see fig. 39)	REF	
-4	26-2500	COVER. (ATTACHING PARTS)	1	
	AN515-6R8	SCREW.	2	

-5	26-2200-4	PAD (Micarta)	1	
-6	MS25383-1	SWITCH, Limit (ATTACHING PARTS)	2	
	MS20365-632	NUT.	4	
	AN960-6	WASHER.	8	
	AN515-6-16	SCREW.	4	

-7	9-10831	ACTUATOR (91929).	2	
-8	MS25253-1	SWITCH, Limit	4	

Section II
Group Assembly Parts List

T.O. 1B-26K-4

FIG. AND INDEX NO.	PART NUMBER	DESCRIPTION							UNITS PER ASSY	USABLE ON CODE
		1	2	3	4	5	6	7		
53-		(ATTACHING PARTS)								
	MS20365-540	. .	NUT.	8	
	AN960-5	. .	WASHER	AR	
	26-2200-3	. .	SPACER.	AR	
	AN515-5-14	. .	SCREW.	8	
			-----*							
-9	JV20	. .	ACTUATOR (91929).	4	
-10	26-2509	. .	CAM	2	
-31	26-2507	. .	CLAMP	2	
		(ATTACHING PARTS)								
	AN501-10-4	. .	SCREW.	2	
			-----*							
-12	26-2508	. .	PLATE.	2	
-13	26-2200-2	. .	ROD, Throttle control.	2	
-14	AN3060-4	. .	ELBOW	2	
-15	26-2505	. .	SUPPORT.	1	
		(ATTACHING PARTS)								
	MS20365-1032	. .	NUT.	1	
	AN960-10	. .	WASHER.	1	
	AN509-10-42	. .	SCREW.	1	
			-----*							
-16	26-2506	. .	SUPPORT	1	
		(ATTACHING PARTS)								
	MS20365-1032	. .	NUT.	2	
	AN960-10	. .	WASHER.	4	
	AN3-4A	. .	BOLT	2	
			-----*							
-17	26-2503	. .	BRACKET.	1	
-18	26-2504	. .	BRACKET.	1	
		(ATTACHING PARTS)								
	MS20365-1032	. .	NUT.	2	
	AN960-10	. .	WASHER.	3	
	AN509-10-42	. .	SCREW.	1	
	AN3-25A	. .	BOLT.	1	
			-----*							
-19	26-2502	. .	BLOCK.	2	
		(ATTACHING PARTS)								
	MS20365-1032	. .	NUT.	1	
	AN960-10	. .	WASHER.	1	
-20	AN3-25A	. .	BOLT.	1	
			-----*							
-21	26-2501	. .	BOX.	1	

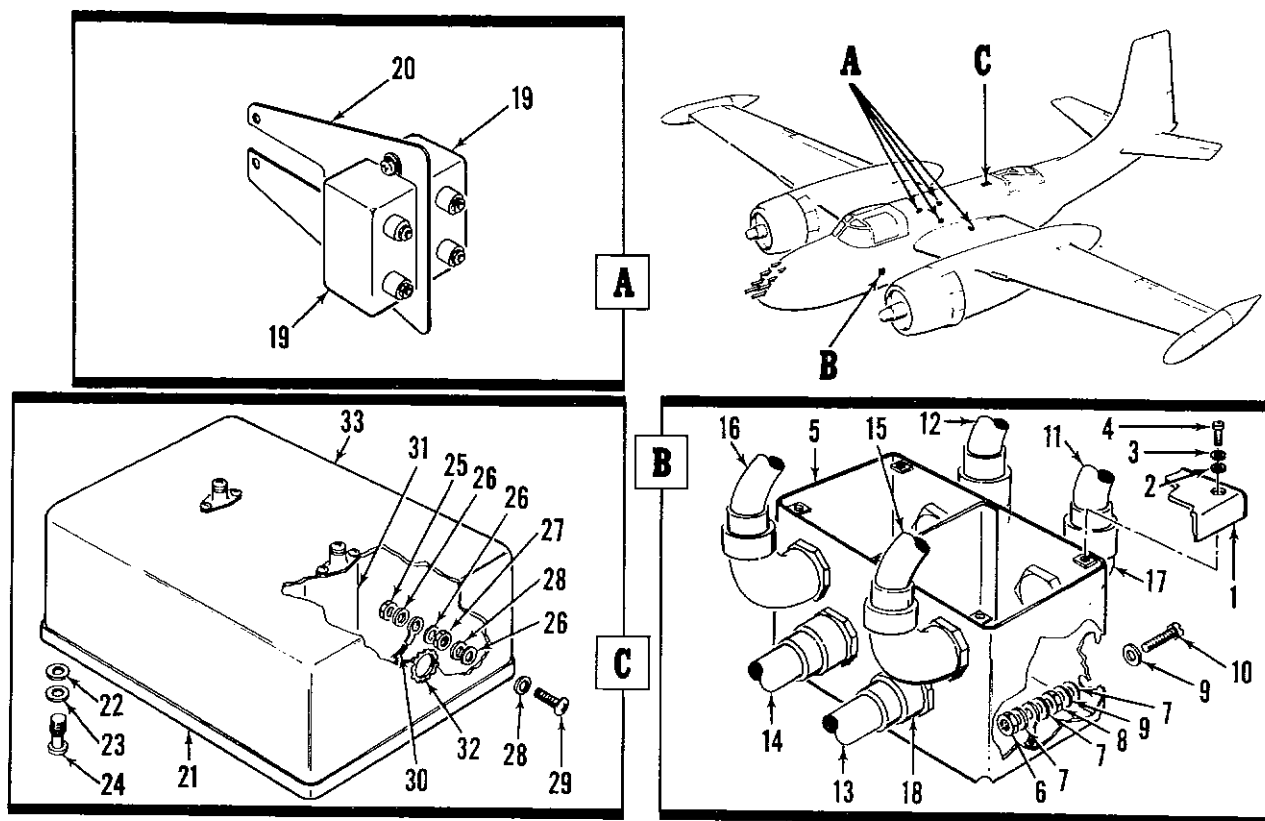


Figure 54. Control Propeller Reversing Pull Box, Bomb Bay Filter and F477 DC Power Sensor Box Assemblies

FIG. AND INDEX NO.	PART NUMBER	DESCRIPTION	UNITS PER ASSY	USABLE ON CODE		
					1	2
54-	26-2618-400	CONTROL PROPELLER REVERSING PULL BOX, BOMB BAY FILTER AND F477 DC POWER SENSOR BOX ASSEMBLIES				
		BOX ASSY, Control propeller reversing pull (sta 77)	REF			
		(for NHA ref fig. 39)				
	26-2618-1	BOX ASSEMBLY	1			
	MT51131-063-006	COVER ASSY (76561)	1			
-1	MT5113-063-006	COVER (76561)	1			
-2	AN960D8	WASHER.	4			
-3	AN935-8	WASHER.	4			
-4	1-170-2	SCREW (76561)	4			
-5	MT11131-063-300	BOX (76561)				
	2607-500	STUD INSTL, Ground	2			
-6	MS20365-1032C	NUT.	1			
-7	AN960-10	WASHER.	3			
-8	MS20341-10	NUT.	1			
-9	AN936A10	WASHER.	2			
-10	AN526-1032R16	SCREW.	1			
-11	26-2653-11	CONDUIT ASSY, Breeze (to LH wing disconnect)	1			
-12	26-2653-12	CONDUIT ASSY, Breeze (to RH wing disconnect)	1			
-13	26-2653-13	CONDUIT ASSY, Breeze (to LH control box)	1			
-14	26-2653-14	CONDUIT ASSY, Breeze (to RH control box)	1			
-15	26-2653-15	CONDUIT ASSY, Breeze (to LH tunnel switch box)	1			
-16	26-2653-16	CONDUIT ASSY, Breeze (to RH tunnel switch box)	1			
-17	AN3063-4	ELBOW, Electrical conduit	4			
-18	AN3064-4	BOX CONNECTOR, Electrical	2			
	AN3066-4	NUT, Conduit coupling	6			
	26-2662-1	FILTER ASSY, Bomb bay, sta 150 (for NHA see fig. 40)	REF			

Section II
Group Assembly Parts List

T.O. 1B-26K-4

FIG. AND INDEX NO.	PART NUMBER	DESCRIPTION 1 2 3 4 5 6 7	UNITS PER ASSY	USABLE ON CODE
54-19	1NA116	. . . FILTER (71753) (ATTACHING PARTS)	2	
	MS20365-832	. . . NUT.	2	
	AN960-8	. . . WASHER.	4	
	AN520-8R8	. . . SCREW.	2	
		-----*		
-20	26-2662-3	. . . BRACKET.	1	
	26-3602-1	. . . BOX ASSY, Sensor, F477 dc power, sta 218 (for NHA see fig. 40) . .	REF	
	26-3602-5	. . . COVER ASSY.	1	
-21	MT2436-063-300	. . . COVER (76561)	1	
-22	AN960D8	. . . WASHER.	4	
-23	AN935-8	. . . WASHER.	4	
-24	1-170-2	. . . SCREW (76561).	4	
	2607-500	. . . STUD INSTL, Ground	2	
-25	MS20365-1032C	. . . NUT.	1	
-26	AN960-10	. . . WASHER.	3	
-27	MS20341-10	. . . NUT.	1	
-28	AN936A10	. . . WASHER.	2	
-29	AN526-1032R16	. . . SCREW.	1	
-30	26-2651-1	. . . CORD ASSY, Junction box	1	
-31	D7235-1-70	. . . SENSING CONTROL, Overload (82647) (ATTACHING PARTS)	1	
	AN960-10	. . . WASHER.	2	
	NAS221-9	. . . SCREW.	2	
		-----*		
-32	G51HA	. . . GROMMET (03296)	AR	
-33	26-3602-3	. . . BOX.	1	

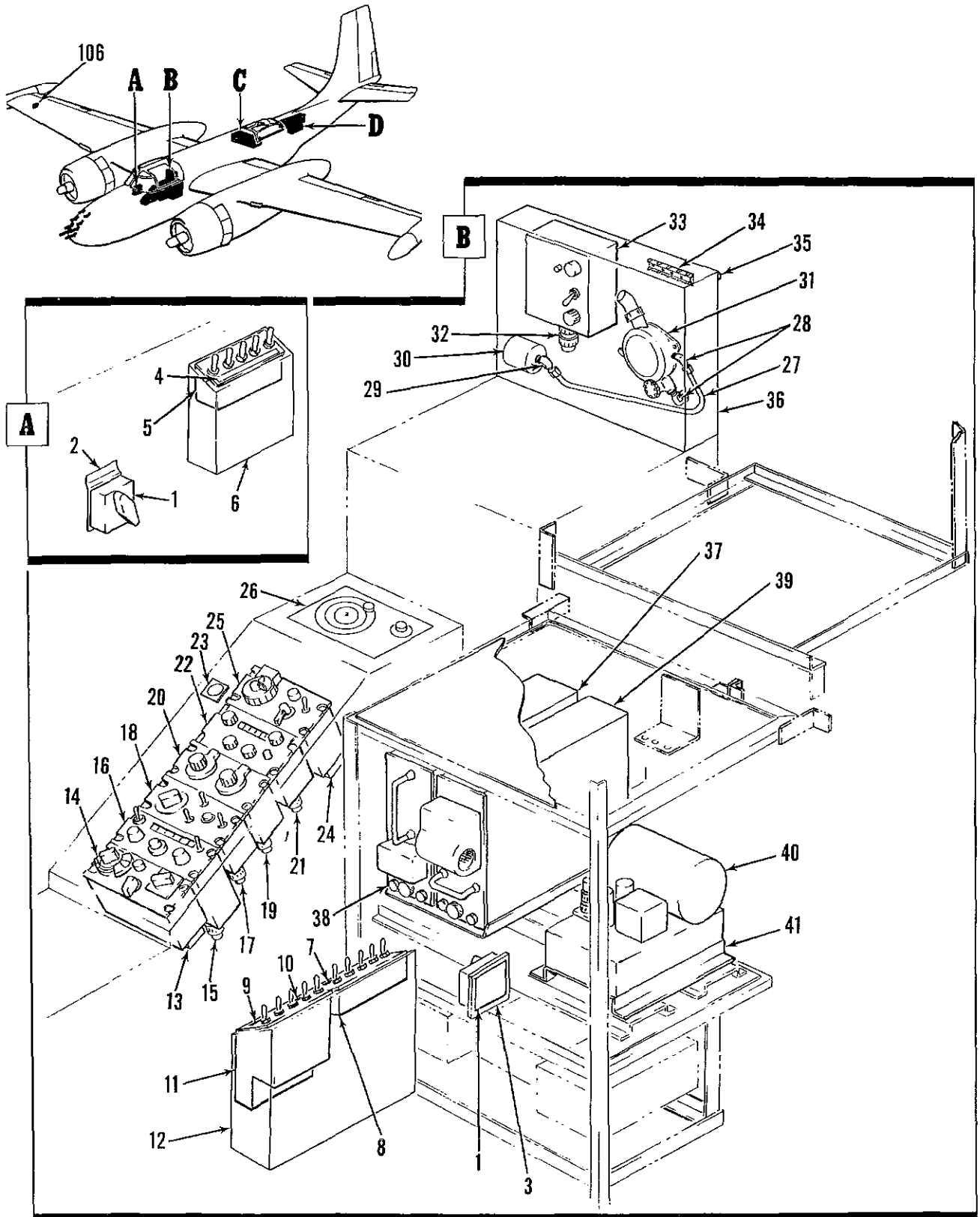


Figure 55. Communication and Navigation Installation (Sheet 1 of 2)

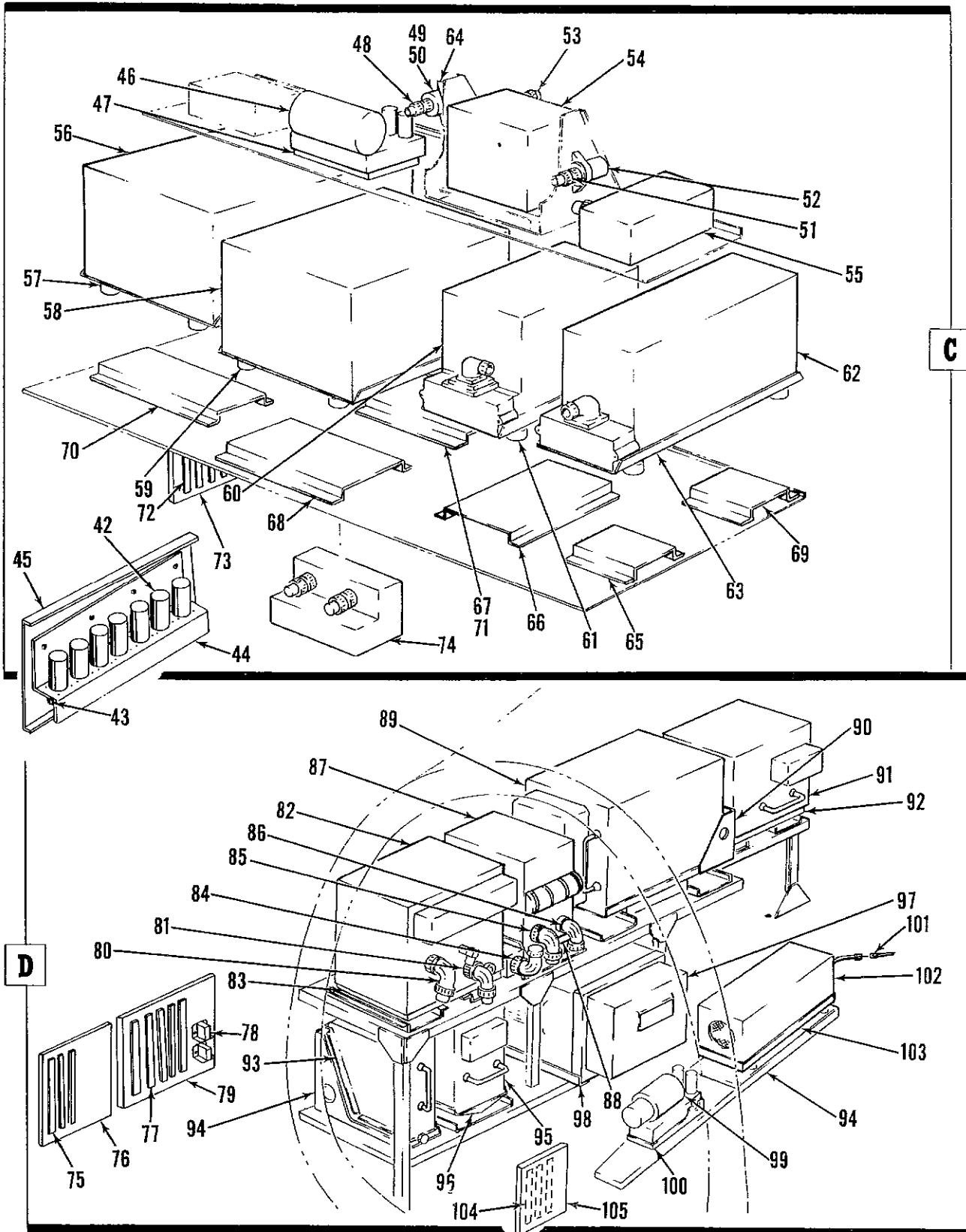


Figure 55. Communication and Navigation Installation (Sheet 2 of 2)

FIG. AND INDEX NO.	PART NUMBER	DESCRIPTION	UNITS PER ASSY	USABLE ON CODE
55-	26-4700-1	COMMUNICATION AND NAVIGATION INSTL (for NHA see fig. 4)	REF	
-1	FL30	FILTER, Radio, JAN type FL30 (GFE)	2	
-2	26-4610-1	BRACKET ASSY, Co-pilots range filter	1	
-3	26-4609-1	BRACKET ASSY, Pilot range filter	1	
	26-4631-1	AUDIO BOX INSTL, Co-pilots	NP	
-4	26-4614-5	NAMEPLATE	1	
-5	C826A/A1C10	CONTROL BOX, Intercommunication (GFE) (for details see T.O. 12R2-2A1C10-4)	1	
-6	26-4602-1	BRACKET ASSY, Co-pilots audio panel	1	
	26-4630-1	AUDIO BOX INSTL	NP	
-7	26-4614-5	NAMEPLATE	1	
-8	C826A/A1C10	CONTROL BOX, Intercommunication (GFE) (for details see T.O. 12R2-2A1C10-4)	1	
-9	26-4614-3	NAMEPLATE	1	
-10	26-4614-1	NAMEPLATE	1	
-11	C824A/A1C10	CONTROL BOX, Intercommunication (GFE) (for details see T.O. 12R2-A1C10-4)	1	
-12	26-4601-1	PANEL ASSY, Pilots audio	1	
-13	XMER34SC2A406	CONNECTOR, Plug, electrical (81312)	1	
-14	C1904/ARC27	CONTROL RADIO SET, UHF communication (GFE) (furnished with mounting hardware) (for details see T.O. 12R2-2ARC27-4)	1	
-15	DD50SC13	CONNECTOR, Plug electrical (71468)	1	
	DD20964	SHIELD, Electrical connector (71468)	1	
-16	614U6	CONTROL RADIO SET, VHF communication (GFE) (furnished with mounting hardware)	1	
-17	MS3106B20-27S	CONNECTOR	1	
	MS3057-12	ADAPTER	1	
-18	C1158/APX25	CONTROL BOX, IFF (GFE) (Furnished with mounting hardware) (for details see T.O. 12P4-2APX25-133)	1	
-19	MS3106B20-27S	CONNECTOR	1	
	MS3057-12	ADAPTER	1	
-20	C1128/APX25	CONTROL SET, SIF (GFE) (furnished with mounting hardware) (for details see T.O. 12P4-2APX25-133)	1	
-21	MS3106B28-15S	CONNECTOR	1	
	MS3057-16	ADAPTER	1	
-22	714E2	CONTROL SET, High frequency communication (GFE) (furnished with mounting hardware)	1	
-23	1116-30	INTERVALOMETER, Type 8-9A (GFE)	1	
-24	L208140-1	CONNECTOR, Plug, electrical (12143)	1	
-25	SB327/ARC44	CONTROL BOX, FM (GFE) (furnished with mounting hardware)	1	
-26	B-3A	INTERVALOMETER (GFE)	1	
	26-4632-1	BOX ASSY, Crew chief intercommunication	1	
-27	26-4632-5	TUBE ASSY	1	
	MS20819-4	SLEEVE	2	
	AN818-4D	NUT	2	
-28	MS20822-4D	ELBOW	1	
-29	AN911-4D	NIPPLE	1	
-30	AN6029-1	INDICATOR	1	
	AN515-4-12	(ATTACHING PARTS) SCREWS	4	
-31	AF45-348574	REGULATOR (88537)	1	
-32	MS3106B20-27S	CONNECTOR	1	
	MS3057-2	ADAPTER	1	
-33	C824/A1C10	CONTROL BOX, Intercommunication (GFE) (for details see T.O. 12R2-A1C10-4)	1	
-34	MS25123-1-6	TERMINAL BOARD (ATTACHING PARTS)	1	
	MS20365-440	NUT	2	
	AN515-4-4	SCREW	2	
-35	MS20365-1032	NUT	7	
	AN960-10	WASHER	7	
	AN3-6A	BOLT	7	
-36	26-4632-3	BOX	1	

Section II
Group Assembly Parts List

T.O. 1B-26K-4

FIG. AND INDEX NO.	PART NUMBER	DESCRIPTION	UNITS PER ASSY	USABLE ON CODE
55-37	51X2B	. RECEIVER, VHF communication (GFE) (for details see T.O. 12R2-4-28-4)	1	
-38	DPA29C1-33S 390E2	. CONNECTOR, Plug, electrical (71468) BASE, Shock mount, electrical equipment (GFE) (ATTACHING PARTS)	1 1	
	MS20365-1032 AN960-10L NAS221-9	. NUT WASHER SCREW	16 16 16	
-39	17L7A	. TRANSMITTER, VHF communication (GFE) (for details see T.O. 12R2-4-28-4)	1	
	DPAL24C2-33S3 DPA24HV2-33S DY76/A1C10	. CONNECTOR, Plug, electrical (71468) CONNECTOR, Plug, electrical (71468) DYNAMOTOR, Intercommunication (GFE) (for details see T.O. 12R2-2A1C10-4)	1 1 1	
-40				
-41	MT1159/A1C10 26-4646-1	. BASE, Shock mount, electrical equipment (GFE) PANEL ASSY, Tacan and navigators relay (ATTACHING PARTS)	1 1	
	NAS220-9	. SCREW	6	
-42	AN3303-1	. RELAY	7	
-43	MS3100E20-27S	. CONNECTOR (ATTACHING PARTS)	7	
	MS20365-6 AN960-6 AN515-6R6	. NUT WASHER SCREW	28 28 28	
-44	26-4646-3	. PANEL ASSY (ATTACHING PARTS)	1	
	AN526-10R-8	. SCREW	8	
-45	26-4646-5	. PANEL ASSY	1	
-46	DY77/A1C10	. DYNAMOTOR, Intercommunication (GFE) (for details see T.O. 12R2-2A1C10-4)	1	
-47	MT1160/A1C10	. BASE, Shock mount, electrical equipment (GFE)	1	
-48	MS3106B20-29S	. CONNECTOR	1	
	MS3057-12	. ADAPTER	1	
-49	ID251/ARN	. INDICATOR, Bearing converter (GFE) (for details see T.O. 12R5-2ARN-174) (ATTACHING PARTS)	1	
	NAS487-15	. NUT	4	
-50	AN515-6-12	. SCREW	4	
-51	MS3106B18-1S	. CONNECTOR	1	
	MS3057-10	. ADAPTER	1	
-52	CV279/ARN	. DETECTOR, Phase network (GFE) (for details see T.O. 12R5-2ARN21-34)	1	
-53	MS3106B20-27S	. CONNECTOR	1	
	MS3057-12	. ADAPTER	1	
-54	C1	. AMPLIFIER, Compass signal (GFE) (for details see T.O. 5N2-2-3-4)	1	
-55	653278	. AMPLIFIER, Gyrosyn (GFE)	1	
	MS3106-20-27S	. CONNECTOR	1	
	MS3057-12	. ADAPTER	1	
-56	RT178/ARC27	. RECEIVER AND TRANSMITTER, UHF communication (GFE) (for details see T.O. 12R2-ARC27-4)	1	
-57	MT822C/ARC27	. BASE, Shock mount, electrical equipment (GFE) (for details see T.O. 12R2-ARC27-4)	1	
-58	R101A/ARN6	. RECEIVER, RA10 compass (GFE) (for details see T.O. 12R5-2ARN6-24)	1	
	UG646/U	. CONNECTOR	1	
-59	MT273E/ARN6	. BASE, Shock mount, electrical equipment (GFE) (for details see T.O. 12R5-2ARN6-24)	1	
-60	DY66B/ARN14	. DYNAMOTOR, VHF navigation (GFE) (for details see T.O. 12R5-2ARN14-14)	1	
	MS3057-6	. ADAPTER	1	
-61	MT628A/ARN14	. BASE, Shock mount, electrical equipment (GFE) (for details see T.O. 12R5-2ARN14-14)	1	

FIG. AND INDEX NO.	PART NUMBER	DESCRIPTION	UNITS PER ASSY	USABLE ON CODE
55-62	R540/ARN14C	. RECEIVER, VHF navigation (GFE) (for details see T.O. 12R5-2ARN14-14)	1	
	UG536/U	. CONNECTOR	1	
	UG27C/U	. ADAPTER	1	
	MS3057-16	. ADAPTER	1	
-63	MT627A/ARN14	. BASE, Shock mount, electrical equipment (GFE) (for details see T.O. 12R5-2ARN14-14)	1	
	26-4617-1	. RACK INSTL, Radio	NP	
-64	26-4617-15	. BRACKET, Radio rack (ATTACHING PARTS)	1	
	MS20365-1032	. NUT	4	
	NAS221-8	. SCREW	4	
		-----*		
-65	26-4617-9	. PLATE, Radio rack mounting (ATTACHING PARTS)	1	
	MS20365-1032	. NUT	8	
	NAS221-8	. SCREW	8	
		-----*		
-66	26-4617-7	. PLATE, Radio rack mounting (ATTACHING PARTS)	1	
	MS20365-1032	. NUT	12	
	NAS221-8	. SCREW	12	
		-----*		
-67	26-4617-6	. PLATE, Radio rack mounting (ATTACHING PARTS)	1	
	MS20365-1032	. NUT	12	
	NAS221-8	. SCREW	12	
		-----*		
-68	26-4617-5	. PLATE, Radio rack mounting (ATTACHING PARTS)	1	
	MS20365-1032	. NUT	6	
	NAS221-8	. SCREW	6	
		-----*		
-69	26-4617-8	. PLATE, Radio rack mounting (ATTACHING PARTS)	1	
	MS20365-1032	. NUT	7	
	NAS221-8	. SCREW	7	
		-----*		
-70	26-4617-3	. PLATE, Radio rack mounting (ATTACHING PARTS)	1	
	MS20365-1032	. NUT	12	
	NAS221-8	. SCREW	12	
		-----*		
-71	26-4617-18	. ANGLE, Radio rack (ATTACHING PARTS)	1	
	MS20365-1032	. NUT	6	
	NAS221-8	. SCREW	6	
		-----*		
	26-4606-1	. PANEL ASSY, UHF terminal (ATTACHING PARTS)	1	
	NAS221-9	. SCREW	4	
		-----*		
-72	MS25123-1-20	. TERMINAL BOARD (ATTACHING PARTS)	4	
	AN515-6R16	. SCREW	12	
	LS605-16-1-2	. SPACER (03033)	12	
		-----*		
-73	26-4606-3	. PANEL ASSY	1	
-74	C824A/A1C10	. CONTROL BOX, Intercommunication (GFE) (for details see T.O. 12R2-A1C10-4)	1	
	26-4605-1	. PANEL ASSY, HF terminal (ATTACHING PARTS)	1	
	NAS221-9	. SCREW	4	
		-----*		
-75	MS25123-1-20	. TERMINAL BOARD	3	

Section II
Group Assembly Parts List

T.O. 1B-26K-4

FIG. AND INDEX NO.	PART NUMBER	DESCRIPTION 1 2 3 4 5 6 7	UNITS PER ASSY	USABLE ON CODE
55-	AN515-6R16 LS605-16-1-2	(ATTACHING PARTS) SCREW SPACER (03033) *-----	9 9	
-76	26-4605-3 26-4604-1	PANEL ASSY PANEL ASSY, IFF terminal (ATTACHING PARTS)	1 1	
	NAS221-9	SCREW *-----	6	
-77	MS25123-1-20	TERMINAL BOARD (ATTACHING PARTS)	5	
	AN515-6R16 LS605-16-1-2	SCREW SPACER (03033) *-----	15 15	
-78	MS24149-D1	RELAY (ATTACHING PARTS)	2	
	AN515-8R6	SCREW *-----	4	
-79	26-4604-3	PANEL ASSY	1	
-80	MS3108B20-27P MS3057-12	CONNECTOR ADAPTER	1 1	
-81	MS3108B18-1P MS3057-10	CONNECTOR ADAPTER	1 1	
-82	RT279/APX25	RECEIVER AND TRANSMITTER UNIT, IFF (GFE) (for details see T.O. 12P4-2APX25-4)	1	
	UG260B/U UG59B/U UG212C/U	CONNECTOR CONNECTOR ADAPTER	1 1 1	
-83	MT1439/APX25	BASE, Shock mount, electrical equipment (GFE) (for details see T.O. 12P4-2APX25-4) (ATTACHING PARTS)	1	
	MS20365-1032 AN960-10L NAS221-9	NUT WASHER SCREW *-----	16 16 16	
-84	F245/APX	FILTER, Radio interference, IFF (GFE) (for details see T.O. 12P4-2APX25-4)	1	
-85	MS3108B14S5S MS3108B20-27P MS2057-12	CONNECTOR CONNECTOR ADAPTER	1 1 1	
-86	MS3108B18-1S MS2057-10	CONNECTOR ADAPTER	1 1	
-87	KY95A/APX25	CODER-KEYER UNIT, IFF (GFE) (for details see T.O. 12P4-2APX25-4)	1	
-88	MT1151/APX25	BASE, Shock mount, electrical equipment (GFE) (for details see T.O. 12P4-2APX25-4) (ATTACHING PARTS)	1	
	MS20365-1032 AN960-10L NAS221-9	NUT WASHER SCREW *-----	16 16 16	
-89	618T3 DPE60-35S UG21D/U UG536	RECEIVER AND TRANSMITTER, High frequency (GFE) CONNECTOR, Plug, electrical (71468) CONNECTOR CONNECTOR	1 1 1 1	
-90	390J1	BASE, Shock mount, electrical equipment (GFE) (ATTACHING PARTS)	1	
	MS20365-1032 AN960-10L NAS221-9	NUT WASHER SCREW *-----	16 16 16	
-91	180L3	TUNER, High frequency antenna (GFE)	1	
-92	SK-C16-23-1-2 350D3	CONNECTOR, Plug, electrical (71468) BASE, Shock mount, electrical equipment (GFE) (ATTACHING PARTS)	1 1	
	MS20365-1032	NUT	16	

FIG. AND INDEX NO.	PART NUMBER	DESCRIPTION	UNITS PER ASSY	USABLE ON CODE
55-	AN960-10L NAS221-9	. WASHER SCREW -----*	16 16	
-93	51Z2	. RECEIVER, Marker beacon (GFE)	1	
-94	DPA24C2-33S 390D2	. CONNECTOR, Plug, electrical (71468) BASE, Shock mount, electrical equipment (GFE) (ATTACHING PARTS)	1 1	
	MS20365-1032 AN960-10L NAS221-9	. NUT WASHER SCREW -----*	8 8 8	
-95	R322B/ARN18	. RECEIVER, Glideslope (GFE) (for details see T.O. 12R5-2ARN18-4)	1	
	DPD23-33S2 UG536A/U UG27C/U	. CONNECTOR, Plug, electrical (71468) CONNECTOR ADAPTER	1 1 1	
-96	MT691/ARN18	. BASE, Shock mount, electrical equipment (GFE) (for details see T.O. 12R5-2ARN18-4) (ATTACHING PARTS)	1	
	MS20365-1032 AN960-10L NAS221-9	. NUT WASHER SCREW -----*	4 4 4	
-97	RT220C/ARN21	. RECEIVER AND TRANSMITTER UNIT, Tacan (GFE) (for details see T.O. 12R5-2ARN21-4)	1	
	MS3106B18-9S MS3106B22-14S MS3057-12 MS3106B18-1P MS3057-10 UG59B/U UG212/U	. CONNECTOR CONNECTOR ADAPTER CONNECTOR ADAPTER CONNECTOR ADAPTER	1 1 2 1 1 1 1	
-98	MT928/ARN21	. BASE, Shock mount, electrical equipment (GFE) (for details see T.O. 12R5-2AN21-4) (ATTACHING PARTS)	1	
	MS20365-1032 AN960-10L NAS221-9	. NUT WASHER SCREW -----*	16 16 16	
-99	DY107/ARC44	. DYNAMOTOR, FM communication (GFE) (for details see T.O. 12R2-2ARC44-24)	1	
-100	OC2935832 MT1267A/AR NAS221-9	. CONNECTOR, Plug, electrical (12143) BASE, Shock mount, electrical equipment (GFE) (ATTACHING PARTS) . SCREW -----*	1 1 4	
-101	CU361/ARC UG88E/U	. COUPLER, Antenna CONNECTOR	1 1	
-102	RT294/ARC44	. RECEIVER AND TRANSMITTER UNIT, FM communication (GFE) (for details see T.O. 12R2-2ARC44-24)	1	
	UG88E/U N220940-1	. CONNECTOR CONNECTOR, Plug, electrical (12143)	1 1	
-103	MT1268/AR NAS221-9	. BASE, Shock mount, electrical equipment (GFE) (ATTACHING PARTS) . SCREW -----*	1 4	
	26-4607-1 NAS221-9	. PANEL ASSY, FM terminal (ATTACHING PARTS) . SCREW -----*	1 4	
-104	MS25123-1-20 AN515-6R16 LS605-16-1-2	. TERMINAL BOARD (ATTACHING PARTS) . SCREW SPACER -----*	3 9 9	
-105	26-4607-3	. PANEL ASSY	1	
-106	620359 620783	. TRANSMITTER, Induction compass (GFE) COMPENSATOR (GFE) (ATTACHING PARTS)	1 1	
	AN515B6-14R	. SCREW -----*	3	

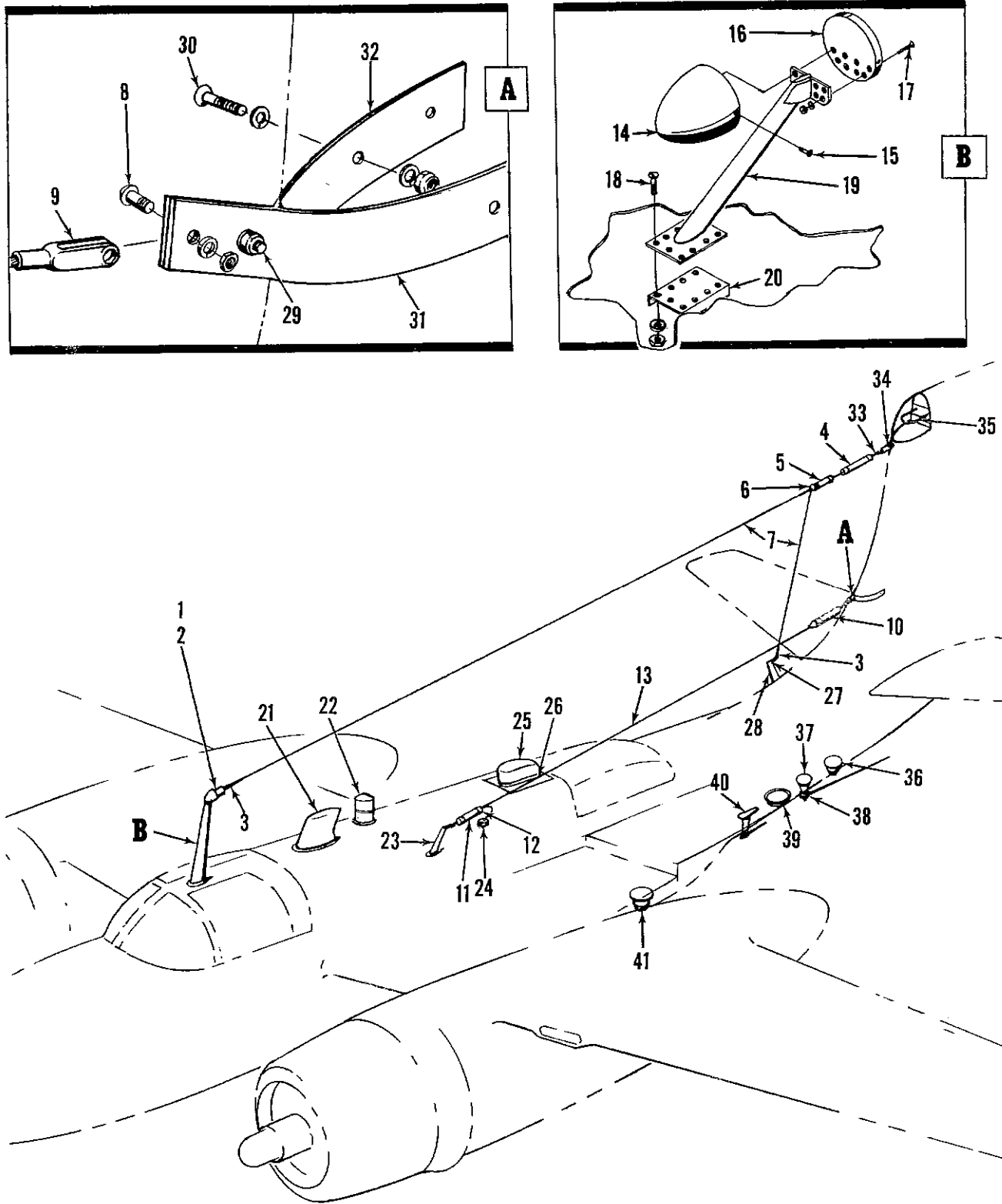


Figure 56. B26K Antenna Installation

FIG. AND INDEX NO.	PART NUMBER	DESCRIPTION 1 2 3 4 5 6 7	UNITS PER ASSY	USABLE ON CODE
56-	26-4643-1	ANTENNA INSTL, B26K (for NHA see fig. 2)	REF	
	MS20365-1032	. NUT	3	
	AN960-10	. WASHER	3	
-1	NAS221-19	. SCREW	3	
	26-4643-3	. WIRE ASSY, Antenna	1	
-2	RE132/ARC21	. . RADIO SET, Type AN/ARC-21 (GFE) (for details see T. O. 12R2-ARC21-4)	1	
-3	MS25056-1A	. . SLEEVE	2	
-4	MX274/AR	. . TENSION UNIT (GFE)	1	
-5	MX270/AR	. . INSULATOR, Strain (GFE)	1	
-6	47A40875	. . SPLICE, Cap (GFE)	1	
-7	26-4643-7	. . WIRE, Antenna	1	
	MS20500-1032	. NUT	1	
	AN960-10	. WASHER	1	
-8	AN3C5A	. BOLT	1	
	26-4643-5	. WIRE ASSY, Antenna	1	
-9	MS20115-3	. . SHACKLE	1	
-10	IL-5/U	. . TENSION UNIT (GFE)	1	
-11	13624	. . HOOK, Insulator (GFE)	1	
-12	47A40875	. . SPLICE, Cap (GFE)	1	
-13	26-4643-9	. . WIRE, Antenna	1	
	26-4640-1	. MAST INSTL, Antenna	1	
-14	26-4645-1	. . CONE, HF antenna (ATTACHING PARTS)	1	
-15	NAS220-8	. . SCREW	6	
		----*----		
-16	26-4640-11	. . SUPPORT (ATTACHING PARTS)	1	
	MS20365-632A	. . NUT	8	
	AN960-6	. . WASHER	8	
-17	AN507-632R12	. . SCREW	8	
		----*----		
	MS20365-1032A	. . NUT	9	
	AN960-10	. . WASHER	9	
-18	AN507-1032R10	. . SCREW	9	
-19	26-4640-3	. . MAST ASSY, Antenna	1	
-20	26-4640-13	. . STIFFENER	1	
-21	37R2	. . ANTENNA, VHF (GFE) (for details see T.O. 12R2-4-28-4) (ATTACHING PARTS)	1	
	NAS221-21	. . SCREW	4	
	NAS221-19	. . SCREW	2	
		----*----		
	UG88/U	. . CONNECTOR	1	
	UG306/U	. . ADAPTER	1	
-22	AT256/ARC27	. . ANTENNA, UHF (GFE) (ATTACHING PARTS)	1	
	AN509-10R13	. . SCREW	8	
		----*----		
	UG21C/U	. . CONNECTOR	1	
	UG212C/U	. . ADAPTER	1	
-23	26-4627-1	. . STRUCTURE INSTL, Aft ADF sensing antenna	NP	
	26-4627-3	. . MAST ASSY (ATTACHING PARTS)	1	
	MS20365D832	. . NUT	20	
	AN960-8	. . WASHER	20	
	AN509-8R14	. . SCREW	12	
	NAS220-9	. . SCREW	8	
		----*----		
-24	CU65A/ARN6	. . COUPLER, Antenna (GFE) (ATTACHING PARTS)	1	
	MS20365-1032	. NUT	4	
	AN960-10	. WASHER	4	
	AN526-6R13	. SCREW	4	
		----*----		

Section II
Group Assembly Parts List

T.O. 1B-26K-4

FIG. AND INDEX NO.	PART NUMBER	DESCRIPTION	UNITS PER ASSY	USABLE ON CODE
56-	CG105/ARN6	. CORD, Antenna (GFE)	1	
	UG646U	. ADAPTER	1	
-25	CW141/ARN6	. HOUSING ASSY, Loop antenna (GFE)	1	
	AS313B/ARN6	. ANTENNA, Loop (GFE)	1	
		(ATTACHING PARTS)		
	AN526-8R7	. SCREW	12	
		-----*		
-26	L225670A	. PLATE, Adapter (77068)	1	
		(ATTACHING PARTS)		
	NAS221-13	. SCREW	10	
	NAS221-11	. SCREW	4	
		-----*		
	C232291	. GASKET (77068)	2	
-27	MS25055-1A	. ELBOW	1	
-28	AB620A/AR	. MAST, Antenna (GFE)	1	
	26-4628-1	. ANCHOR INSTL, Shackle	NP	
	MS20365-832	. NUT	1	
	AN960-8L	. WASHER	1	
-29	NAS220-832	. SCREW	1	
	MS20365-1032	. NUT	4	
	AN960-10L	. WASHER	8	
-30	NAS221-8	. SCREW	4	
-31	26-4628-2L	. ANCHOR	1	
-32	26-4628-2R	. ANCHOR	1	
-33	4628	. CLIP (GFE)	1	
-34	4707	. CLIP (GFE)	1	
-35	37P3	. ANTENNA, Glideslope (alt 37P2, 37P4) (GFE)	1	
		(ATTACHING PARTS)		
	MS20365-832	. NUT	5	
	AN509-8-8	. SCREW	5	
		-----*		
	UG88/U	. CONNECTOR	1	
	UG201/U	. ADAPTER	1	
-36	AT741/APX25	. ANTENNA, Tacan (GFE)	1	
		(ATTACHING PARTS)		
	MS20365-632	. NUT	6	
	AN960-6	. WASHER	6	
	AN509-6R8	. SCREW	6	
		-----*		
	UG59B/U	. CONNECTOR	1	
	UG212/U	. ADAPTER	1	
-37	AB-340/ARC	. BASE, Antenna (GFE)	1	
		(ATTACHING PARTS)		
	AN509-10R13	. SCREW	6	
		-----*		
	UG27C/U	. ADAPTER	1	
	62B40637	. FITTING, Adapter (GFE)	1	
-38	AT454/ARC44	. ANTENNA, FM (GFE)	1	
		(ATTACHING PARTS)		
	NAS501-12-22A	. BOLT	1	
	AN565A1032H12	. SETSCREW	2	
		-----*		
-39	37X-2	. ANTENNA, Marker (GFE)	1	
		(ATTACHING PARTS)		
	NAS221-7	. SCREW	8	
	AN960-10	. WASHER	8	
	MS35338-43L	. WASHER	8	
		-----*		
	UG709/U	. CONNECTOR	1	
	UG567A/U	. ADAPTER	1	
-40	37J3	. ANTENNA, Vor (GFE) (for details see T.O. 12R5-2ARN14-14)	1	
		(ATTACHING PARTS)		
	NAS221-13	. SCREW	6	
		-----*		
	UG536/U	. CONNECTOR	1	
	UG27C/U	. ADAPTER	1	
-41	AT741/APX25	. ANTENNA, IFF (GFE)	1	

FIG. AND INDEX NO.	PART NUMBER	DESCRIPTION 1 2 3 4 5 6 7	UNITS PER ASSY	USABLE ON CODE
56-	MS20365-632 AN960-6 AN509-6R8 UG59B/U UG212C/U	(ATTACHING PARTS) . NUT WASHER SCREW -----*----- . CONNECTOR ADAPTER	6 6 6 1 1	

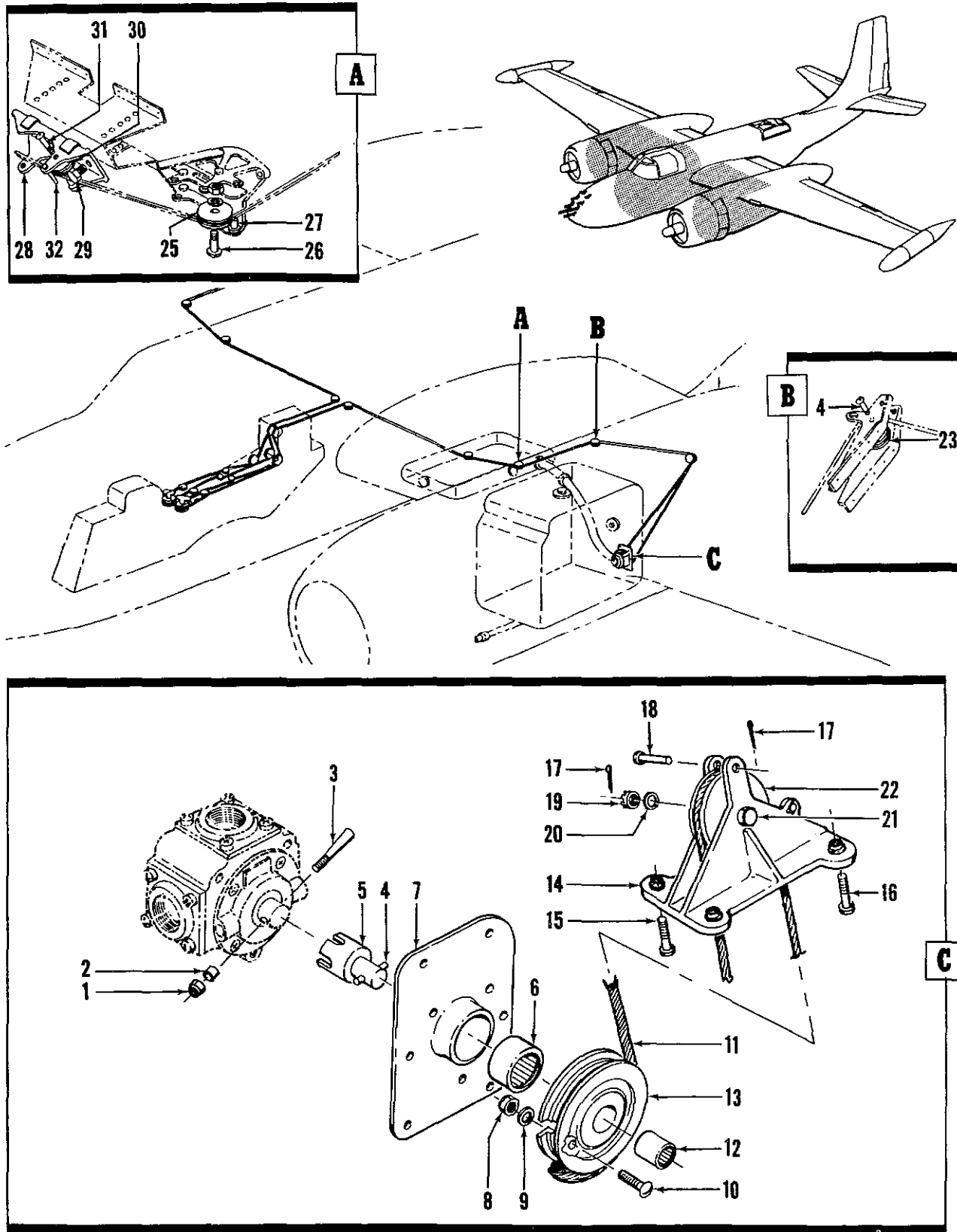


Figure 57. LH and RH Wing Fuel System Control Installation

FIG. AND INDEX NO.	PART NUMBER	DESCRIPTION	UNITS PER ASSY	USABLE ON CODE		
					1	2
57-	26-6005-1	CONTROL INSTL, Wing fuel system LH (for NHA see fig. 3)	REF			
	26-6005-2	CONTROL INSTL, Wing fuel system RH (for NHA see fig. 3)	REF			
-1	MS20365-632	. NUT	1			
-2	1059608C625-1250-125	. BUSHING, Sleeve (18355)	1			
-3	1206095	. PIN, Taper, fuel selector valve (18355)	1			
-4	1206067	. PIN, Straight, headless (18355)	1			
-5	1206013-2	. SHAFT, Fuel selector valve (18355)	1			
-6	B1612	. BEARING, Sleeve (60380)	1			
-7	26-6105-1	. BRACKET, Fuel selector LH	1			
	26-6105-2	. BRACKET, Fuel selector RH	1			
-8	MS20365-1032	. NUT	1			
-9	AN960D10	. WASHER	1			
-10	AN23-11A	. BOLT	1			
-11	26-6005-3	. WIRE ROPE ASSY, Single leg LH	1			
	26-6005-4	. WIRE ROPE ASSY, Single leg RH	1			
-12	117213-867-1000-687	. BUSHING, Needle bearing hardened (18355)	1			
-13	2057110-2	. PULLEY, Groove LH (18355)	1			
	2057110-3	. PULLEY, Groove RH (18355)	1			
	5206615	. CONTROL INSTL, Wing fuel LH (18355)	1			
	5206615-1	. CONTROL INSTL, Wing fuel RH (18355)	1			
-14	4206202	. BRACKET ASSY, Wing fuel control LH (18355)	1			
	4206202-1	. BRACKET ASSY, Wing fuel control RH (18355) (ATTACHING PARTS)	1			
-15	AN3-12A	. BOLT	2			
-16	AN3-13A	. BOLT	2			
		-----*-----				
-17	MS24665-2-2	. PIN, Cotter	3			
-18	143358-104	. PIN, Pulley guard (18355)	2			
-19	AN310-3	. NUT	1			
-20	AN960-10	. WASHER	1			
-21	AN3-14	. BOLT	1			
-22	AN210-2A	. PULLEY	2			
	4127413	. CONTROL INSTL, Wing aft fuel LH (18355)	1			
	4127413-1	. CONTROL INSTL, Wing aft fuel RH (18355)	1			
-23	AN210-2A	. PULLEY	2			
	AN320-3	. NUT	1			
	AN960D10	. WASHER	1			
-24	AN23-17	. BOLT	2			
	4127455	. CONTROL INSTL, Wing forward fuel LH (18355)	1			
	4127455-1	. CONTROL INSTL, Wing forward fuel RH (18355)	1			
-25	AN210-2A	. PULLEY	2			
	AN320-3	. NUT	1			
	124682-3S12-034	. WASHER (18355)	1			
-26	AN23-25	. BOLT	1			
-27	143358-023	. PIN, Pulley guard (18355)	2			
	5159533	. CONTROL INSTL, Wing fuel system LH (18355)	1			
	5159533-1	. CONTROL INSTL, Wing fuel system RH (18355)	1			
-28	5128626	. BRACKET, Wing fuel system pulley LH (18355)	1			
	5128626-1	. BRACKET, Wing fuel system pulley RH (18355) (ATTACHING PARTS)	1			
	MS20365-1032	. NUT	2			
	AN960-10	. WASHER	2			
-29	AN3-6A	. BOLT	2			
		-----*-----				
-30	AN210-1A	. PULLEY	2			
	AN320-3	. NUT	1			
	NAS43DD3-46	. SPACER	1			
	AN960D10	. WASHER	2			
-31	AN23-36	. BOLT	1			
-32	NAS427K15	. PIN	1			

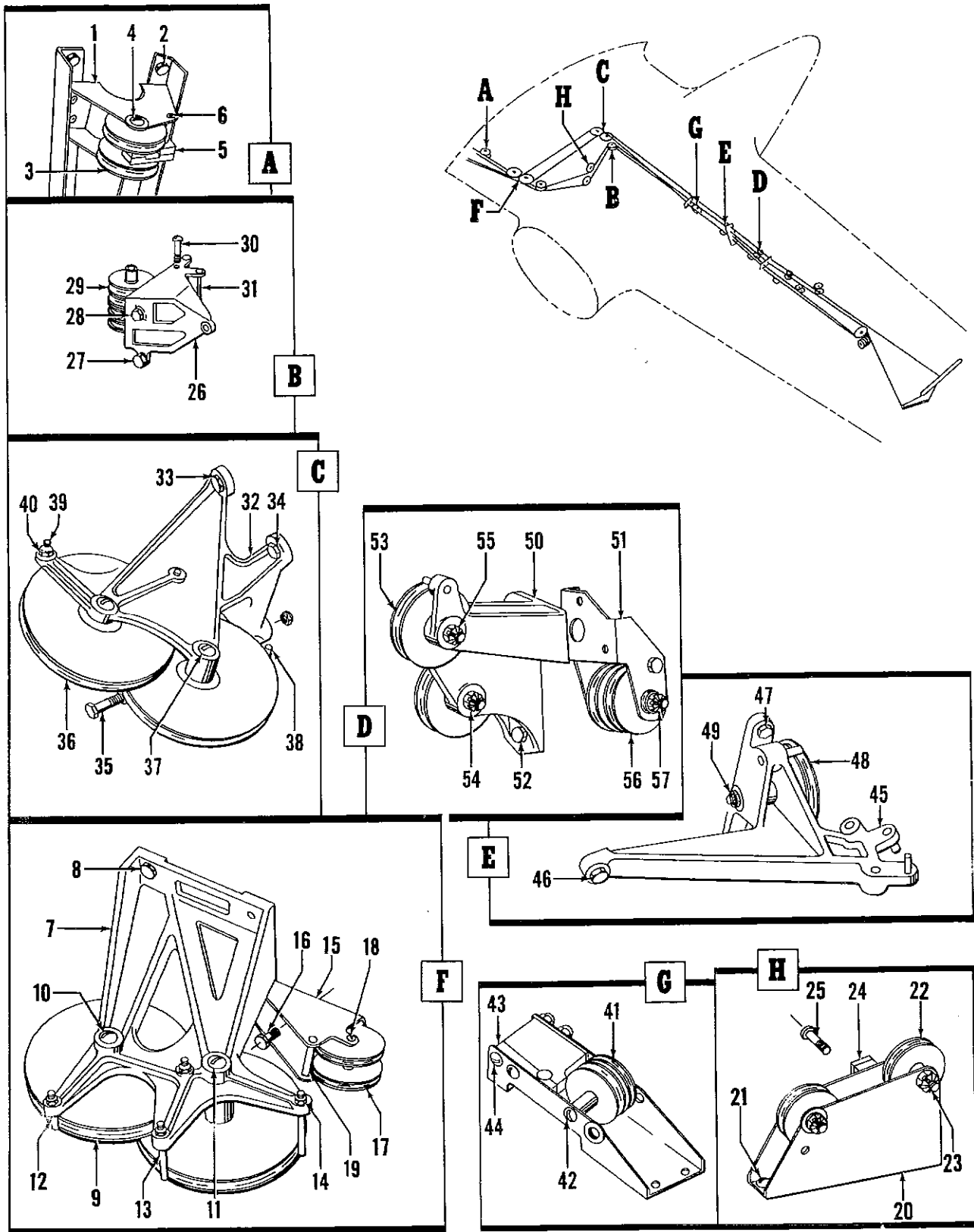


Figure 58. LH and RH Wing Flight Control Installations

FIG. AND INDEX NO.	PART NUMBER	DESCRIPTION	UNITS PER ASSY	USABLE ON CODE
58-	26-9700-1	FLIGHT CONTROL INSTL, Wing, LH (for NHA see fig. 3) (for additional details see fig. 59)	REF	
	26-9700-2	FLIGHT CONTROL INSTL, Wing, RH (for NHA see fig. 3) (for additional details see fig. 59)	REF	
-1	5128618 4128263	. . CONTROL INSTL, Aileron trim, STA 52 (18355)(LH only) BRACKET ASSY, Aileron trim pulley (18355) (ATTACHING PARTS)	1 1	
	MS20365-832	. . NUT	4	
	AN960D8	. . WASHER	4	
-2	1029679P8-8	. . SCREW (18355) -----*	4	
-3	AN210-1A	. . PULLEY (ATTACHING PARTS)	2	
	AN320-3	. . NUT	1	
	AN960D10	. . WASHER	1	
-4	AN23-25	. . BOLT -----*	1	
-5	1128829	. . FAIRLEAD, Aileron trim pulley (18355) (ATTACHING PARTS)	2	
	MS20365-832	. . NUT	1	
	NAS43DD2-214	. . SPACER	1	
	AN960D8	. . WASHER	1	
-6	AN515-8-28	. . SCREW -----*	1	
	5206755	. . CONTROL INSTL, Wing flight, LH, sta 74 front spar (18355)	1	
	5206754	. . CONTROL INSTL, Wing flight, RH, sta 74 front spar (18355)	1	
-7	5206618 5206617	. . BRACKET, Flight control, LH (18355) BRACKET, Flight control, RH (18355) (ATTACHING PARTS)	1 1	
	MS20365-524	. . NUT	4	
	AN960-516	. . WASHER	4	
-8	AN5-13A	. . BOLT -----*	4	
-9	AN210-6A	. . PULLEY (ATTACHING PARTS)	2	
	AN320-6	. . NUT	2	
	AN970-6	. . WASHER	2	
-10	AN26-30	. . BOLT	1	
-11	AN26-40	. . BOLT -----*	1	
-12	2202008-2	. . GUARD (18355)	2	
-13	2202008-4	. . GUARD (18355) (ATTACHING PARTS)	2	
-14	MS20365-1032	. . NUT -----*	4	
-15	2206606	. . BRACKET, Front spar, aileron trim tab (18355) (ATTACHING PARTS)	1	
	MS20365-1032	. . NUT	3	
	AN960-10	. . WASHER	3	
-16	AN3-6	. . BOLT -----*	3	
-17	AN210-2A	. . PULLEY (ATTACHING PARTS)	2	
	AN320-3	. . NUT	1	
	AN960-10	. . WASHER	1	
	NAS43DD3-32	. . SPACER	1	
-18	AN23-23	. . BOLT -----*	1	
-19	NAS427K23	. . PIN	2	
	5128571	. . CONTROL INSTL, Aileron trim, sta 80 (18355) (LH only)	1	
-20	2129160	. . BRACKET ASSY, Aileron trim control (18355) (ATTACHING PARTS)	1	
	MS20365-1032	. . NUT	2	
-21	AN520-10-7	. . SCREW	2	

Section II
Group Assembly Parts List

T.O. 1B-26K-4

FIG. AND INDEX NO.	PART NUMBER	DESCRIPTION	UNITS PER ASSY	USABLE ON CODE
58-22	AN210-1A	. . PULLEY (ATTACHING PARTS)	2	
	AN320-3	. . NUT	2	
	AN960-10	. . WASHER	4	
-23	AN23-18	. . BOLT -----*	2	
-24	2203463	. . FAIRLEAD ASSY, Bomb release cable (18355) (ATTACHING PARTS)	1	
-25	AN515-8-14	. . SCREW -----*	2	
	5206756	. CONTROL INSTL, Wing flight, LH, sta 85 aft (18355)	1	
	5206756-1	. CONTROL INSTL, Wing flight, RH, sta 85 aft (18355)	1	
-26	5125741	. . BRACKET, Aileron trim tab and bomb release control, LH (18355)	1	
	5125741-1	. . BRACKET, Aileron trim tab and bomb release control, RH (18355) (ATTACHING PARTS)	1	
	MS20365-1032	. . NUT	3	
	AN960D10	. . WASHER	3	
-27	AN3-10A	. . BOLT	2	
-28	AN3-11A	. . BOLT -----*	1	
-29	AN210-2A	. . PULLEY (ATTACHING PARTS)	4	
	AN320-3	. . NUT	1	
	AN960-10	. . WASHER	1	
	NAS43HT3-38	. . SPACER	1	
-30	AN23-34	. . BOLT -----*	1	
-31	143358-123	. . PIN, Pulley guard (18355)	1	
-32	5206757	. . BRACKET, Wing flight control, LH (18355)	1	
	5206757-1	. . BRACKET, Wing flight control, RH (18355) (ATTACHING PARTS)	1	
	MS20365-524	. . NUT	4	
	AN960-516	. . WASHER	4	
-33	AN5-11A	. . BOLT	1	
-34	AN5-12A	. . BOLT	2	
-35	AN5-13A	. . BOLT -----*	1	
-36	AN210-6A	. . PULLEY (ATTACHING PARTS)	2	
	AN320-6	. . NUT	2	
	AN960-6	. . WASHER	2	
-37	AN26-44	. . BOLT -----*	2	
-38	143358-202	. . PIN, Pulley guard (18355)	2	
-39	2207008-2	. . GUARD (18355) (ATTACHING PARTS)	2	
-40	MS20365-1032	. . NUT -----*	2	
	4127454	. CONTROL INSTL, Wing flight, LH, sta 141 (18355)	1	
	4127453	. CONTROL INSTL, Wing flight, RH, sta 141 (18355)	1	
-41	AN210-1A	. . PULLEY (ATTACHING PARTS)	2	
	AN320-3	. . NUT	1	
	AN960D10	. . WASHER	1	
	NAS43DD3-54	. . SPACER	1	
-42	AN23-30	. . BOLT -----*	1	
-43	1127675	. . FAIRLEAD ASSY, Wing sta 141 (18355) (LH only) (ATTACHING PARTS)	1	
	MS20365-832	. . NUT	2	
	AN960D8	. . WASHER	2	
-44	AN526-832-32	. . SCREW -----*	2	
	5190557	. CONTROL INSTL, Wing flight, LH, sta 181 (18355)	1	
	5190557-1	. CONTROL INSTL, Wing flight, RH, sta 181 (18355)	1	

FIG. AND INDEX NO.	PART NUMBER	DESCRIPTION	UNITS PER ASSY	USABLE ON CODE
58-45	5190558	. . BRACKET ASSY, Wing flight control, LH (18355)	1	
	5190558-1	. . BRACKET ASSY, Wing flight control, RH (18355) (ATTACHING PARTS)	1	
	MS20365-1032	. . NUT	3	
	AN960D10	. . WASHER	3	
-46	AN3-7A	. . BOLT	1	
-47	AN3-6A	. . BOLT	2	
		-----*		
-48	AN210-3A	. . PULLEY (ATTACHING PARTS)	1	
	AN320-4	. . NUT	1	
	AN960D416	. . WASHER	1	
	AN970-4	. . WASHER	1	
-49	AN24-28	. . BOLT	1	
		-----*		
	3275743	. CONTROL INSTL, Flight, LH, sta 205 (18355)	1	
	3275743-1	. CONTROL INSTL, Flight, RH, sta 205 (18355)	1	
-50	3275689	. . BRACKET ASSY, Aileron control, LH (18355)	1	
	3275689-1	. . BRACKET ASSY, Aileron control, RH (18355)	1	
-51	3276009	. . BRACKET ASSY, Trim tab cable (18355) (ATTACHING PARTS)	1	
	MS20365-428	. . NUT	3	
	AN960-416	. . WASHER	3	
-52	AN4-7A	. . BOLT	3	
		-----*		
-53	AN210-3A	. . PULLEY (ATTACHING PARTS)	2	
	AN320-4	. . NUT	2	
	AN960-416	. . WASHER	2	
-54	AN24-27	. . BOLT	1	
-55	AN24-28	. . BOLT	1	
		-----*		
-56	AN210-1A	. . PULLEY (ATTACHING PARTS)	2	
	AN320-3	. . NUT	1	
	AN960-10	. . WASHER	1	
-57	AN23-38	. . BOLT	1	
		-----*		

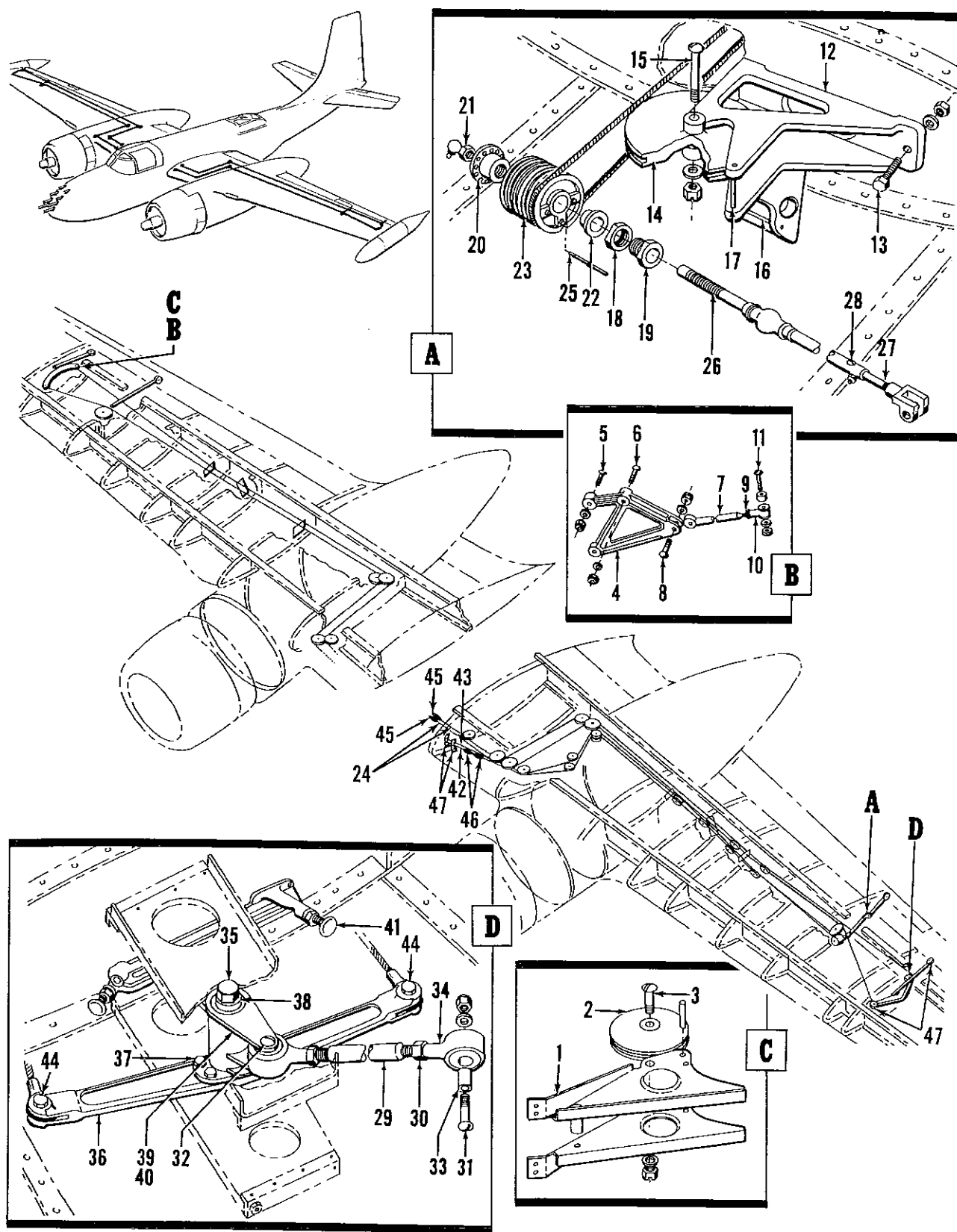


Figure 59. LH and RH Wing Flight Control Installations

FIG. AND INDEX NO.	PART NUMBER	DESCRIPTION	UNITS PER ASSY	USABLE ON CODE
59-	26-9700-1	FLIGHT CONTROL INSTL, Wing LH (for NHA see fig. 3)	REF	
	26-9700-2	FLIGHT CONTROL INSTL, Wing RH (for NHA see fig. 3)	REF	
	5125690	. . . CONTROL INSTL, Flight, sta 273 (18355) (RH only)	1	
-1	5125689	. . . BRACKET ASSY, Aileron (18355)	1	
-2	AN210-5A	. . . PULLEY	1	
		(ATTACHING PARTS)		
	AN320-6	. . . NUT	1	
	AN960D616	. . . WASHER	1	
-3	AN26-17	. . . BOLT	1	
		-----*		
-4	4123791	. . . BRACKET, Trim tab control (18355)	1	
		(ATTACHING PARTS)		
	MS20365-428	. . . NUT	3	
	AN960D416	. . . WASHER	3	
-5	AN509-416R19	. . . SCREW	1	
-6	AN509-416R23	. . . SCREW	2	
		-----*		
-7	2123243	. . . ROD ASSY, Aileron trim tab control (18355)	1	
		(ATTACHING PARTS)		
	AN320-3	. . . NUT	1	
	AN960-10	. . . WASHER	1	
-8	AN23-18	. . . BOLT	1	
		-----*		
	AN207D3	. . . BEARING	1	
-9	AN316-4R	. . . NUT	1	
-10	1122850	. . . END ASSY, Aileron tab rod adjusting bearing (18355)	1	
		(ATTACHING PARTS)		
	AN320-3	. . . NUT	1	
	AN960-10L	. . . WASHER	1	
-11	AN23-17	. . . BOLT	1	
		-----*		
	AR3	. . . BEARING (60380)	NP	
	5276249	. . . CONTROL INSTL, Flight, sta 273 (18355) (LH only)	1	
-12	5125702	. . . BRACKET, Aileron trim tab control (18355)	1	
		(ATTACHING PARTS)		
	MS20365-1032	. . . NUT	4	
	AN960D10	. . . WASHER	4	
-13	AN3-7A	. . . BOLT	4	
		-----*		
	137690	. . . BUSHING, Aileron trim tab control screw (18355)	1	
-14	AN210-5A	. . . PULLEY	1	
		(ATTACHING PARTS)		
	AN320-6	. . . NUT	1	
	AN960-616	. . . WASHER	1	
-15	AN26-34	. . . BOLT	1	
		-----*		
-16	143358-219	. . . PIN (18355)	2	
-17	NAS427K22	. . . PIN	2	
-18	141708-5	. . . NUT, Aileron tab push-pull tube	1	
-19	1127625	. . . NUT, Tab control adjusting (18355)	1	
-20	1127624	. . . NUT, Aileron tab adjustable control (18355)	1	
-21	1790	. . . FITTING (01045)	1	
-22	1193368	. . . BUSHING, Aileron trim tab tube (altered from No. 16 (Oilite))	1	
	4127568-4	. . . DRUM ASSY, Aileron trim tab control (18355)	1	
-23	2123267	. . . DRUM ASSY, Aileron tab adjusting control (18355)	1	
-24	2074407-9-9-13224	. . . CABLE ASSY, Swaged, 3/32 dia	1	
-25	144185-109	. . . PIN, Control cable anchoring (18355)	2	
-26	2208993	. . . TUBE ASSY, Aileron tab push-pull (18355)	1	
-27	2208984	. . . END ASSY, Aileron tab push-pull tube (18355)	1	
		(ATTACHING PARTS)		
	MS20365-832	. . . NUT	2	
	AN960-10L	. . . WASHER	2	
-28	1029679S8-14	. . . SCREW, Slotted, round head (18355)	2	
		-----*		
	5125755	. . . DIFFERENTIAL MECHANISM INSTL, Aileron, LH, sta 325	NP	
		(18355)		

Section II
Group Assembly Parts List

T.O. 1B-26K-4

FIG. AND INDEX NO.	PART NUMBER	DESCRIPTION	UNITS PER ASSY	USABLE ON CODE
59-	5125755-1	. DIFFERENTIAL MECHANISM INSTL, Aileron, RH, sta 325 (18355)	NP	
-29	2123224	. . . TUBE ASSY, Aileron push-pull (18355)	1	
-30	AN315-6R	. . . NUT	2	
	1060325	. . . END ASSY, Aileron control tube adjusting (18355) (ATTACHING PARTS)	2	
	AN320-4	. . . NUT	2	
	AN960D416	. . . WASHER	2	
-31	AN24-28	. . . BOLT	1	
-32	AN24-31	. . . BOLT	1	
		-----*		
-33	AE4	. . . BEARING, Sleeve (77896)	1	
-34	1060325-2	. . . END ASSY, Aileron control tube adjusting (18355)	1	
	4127422	. . . BELLCRANK ASSY, Aileron differential, LH (18355)	1	
	4127422-1	. . . BELLCRANK ASSY, Aileron differential, RH (18355) (ATTACHING PARTS)	1	
	AN310-5	. . . NUT	1	
	AN960D516	. . . WASHER	2	
-35	AN5-44	. . . BOLT	1	
		-----*		
-36	4127423	. . . HORN, Aileron differential bellcrank (18355)	1	
	4123182	. . . ARM ASSY, Aileron bellcrank, LH (18355)	1	
	4123182-1	. . . ARM ASSY, Aileron bellcrank, RH (18355) (ATTACHING PARTS)	1	
	AN320-4	. . . NUT	4	
	AN960D416	. . . WASHER	4	
-37	AN24-14	. . . BOLT	4	
		-----*		
-38	AN200K5	. . . BEARING	2	
-39	1195829	. . . SPACER, Aileron bellcrank bearing (18355)	1	
-40	4123182-2	. . . ARM, Aileron bellcrank, LH (18355)	1	
	4123182-3	. . . ARM, Aileron bellcrank, RH (18355)	1	
-41	1114003-5-12	. . . STOP, Coarse threaded, rubber covered (18355) (ATTACHING PARTS)	2	
	MS35690-5	. . . NUT	2	
	AN960D516	. . . WASHER	2	
		-----*		
-42	2074410-7-10-33616	. CABLE ASSY, Aileron, left wing down (18355)	1	
-43	2074410-7-10-32300	. CABLE ASSY, Aileron, right wing down (18355)	1	
	AN320-5	. . . NUT	2	
	AN960D516	. . . WASHER	2	
	AN380-2-2	. . . PIN, Cotter	2	
-44	AN25-25	. . . BOLT	2	
-45	MS21251-16L	. . . BARREL, Turnbuckle	2	
-46	MS21251-46L	. . . BARREL, Turnbuckle	2	
-47	5206937	. . . CABLE SEAL, Wing LH (18355)	1	
	5207054	. . . CABLE SEAL, Wing RH (18355)	1	

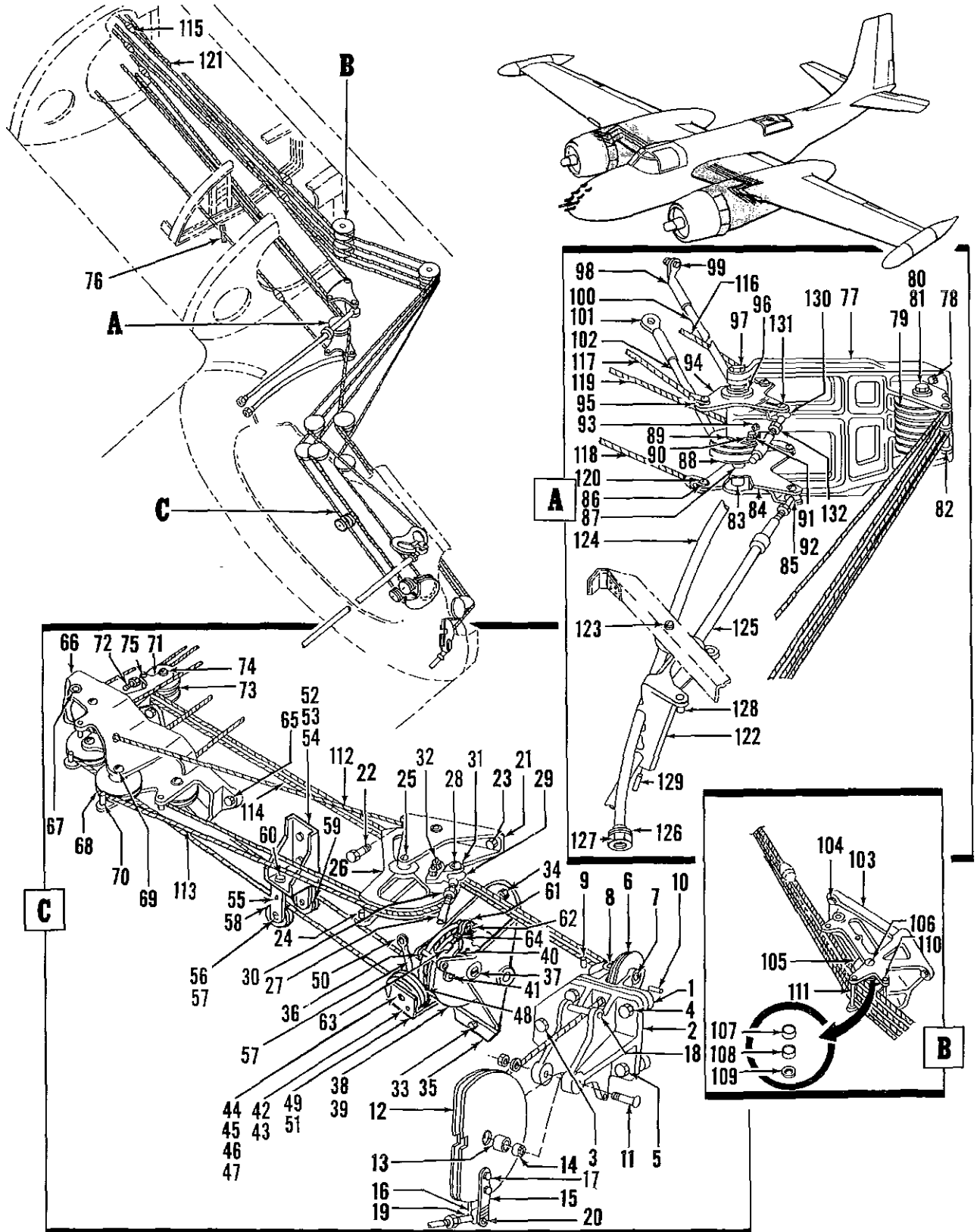


Figure 60. LH Wing Engine and Propeller Control Installation

Section II
Group Assembly Parts List

T.O. 1B-26K-4

FIG. AND INDEX NO.	PART NUMBER	DESCRIPTION	UNITS PER ASSY	USABLE ON CODE
60-	26-8402-1	CONTROL INSTL, Wing, engine and propeller (LH) (altered from 5208876 (18355)) (for NHA see fig. 3)	REF	
	5208779	CONTROL INSTL, Firewall engine LH (18355)	NP	
-1	4205179	SUPPORT, Propeller pitch control cable pulley LH (18355)	1	
-2	4205173	SUPPORT, Propeller pitch control cable (18355) (ATTACHING PARTS)	1	
	MS20365-1032	NUT	5	
	AN960D10	WASHER	5	
-3	AN3-6A	BOLT	1	
-4	AN3-10A	BOLT	2	
-5	AN3-11A	BOLT	2	
		-----*		
-6	AN210-2A	PULLEY	4	
	AN320-3	NUT	3	
	AN960D10	WASHER	3	
-7	AN23-19	BOLT	2	
-8	AN23-24	BOLT	1	
-9	143358-104	PIN, Pulley guard (18355)	2	
-10	NAS427K12	PIN	1	
	4205165	DRUM ASSY, Propeller pitch control (18355) (ATTACHING PARTS)	1	
	AN320-3	NUT	1	
	AN960D10	WASHER	1	
-11	AN23-22	BOLT	1	
		-----*		
	4205167	DRUM ASSY, Propeller pitch control pulley (18355)	1	
-12	4205167-2	DRUM (18355)	1	
-13	1128702	BUSHING, Knurled bearing retainer (18355)	1	
-14	AN207D3	BEARING	1	
-15	1205164	ARM, Propeller pitch cable drum serrated (18355)	1	
-16	1205163	ARM, Propeller pitch cable drum (18355) (ATTACHING PARTS)	1	
	MS20365-1032	NUT	2	
	AN960-10L	WASHER	2	
-17	AN3-7A	BOLT	2	
		-----*		
-18	143358-031	PIN, Pulley guard (18355)	2	
-19	REB3N	END, Rod (86174) (ATTACHING PARTS)	1	
	AN320-3	NUT	1	
	AN960D10	WASHER	1	
-20	AN23-16	BOLT	1	
		-----*		
-21	5195407	BRACKET ASSY, Firewall mixture control LH (18355) (ATTACHING PARTS)	1	
	MS20365-1032	NUT	3	
	AN960D10	WASHER	3	
-22	AN3-10A	BOLT	2	
-23	AN3-7A	BOLT	1	
		-----*		
-24	143358-102	PIN, Pulley guard (18355)	1	
	4195207	CRANK ASSY, Firewall mixture control LH (18355) (ATTACHING PARTS)	1	
	AN320-3	NUT	1	
	AN960D10	WASHER	1	
-25	AN23-26	BOLT	1	
		-----*		
-26	4195207-2	DRUM (18355)	1	
-27	26-8111-79	ROD ASSY (ATTACHING PARTS)	1	
	MS20365-1032	NUT	1	
	AN960D10	WASHER	1	
-28	AN3-11A	BOLT	1	
		-----*		
-29	REB3N	END, Rod (86174)	2	
-30	AN316-4	NUT	2	

FIG. AND INDEX NO.	PART NUMBER	DESCRIPTION	UNITS PER ASSY	USABLE ON CODE
60-31	26-8111-89	ARM ASSY (ATTACHING PARTS)	1	
	MS20365-1032	NUT	2	
	AN960D10	WASHER	2	
-32	AN509-10R14	SCREW	2	
	5208187	SUPPORT ASSY, Throttle bellcrank LH (18355) (ATTACHING PARTS)	1	
	MS20365-1032	NUT	3	
	AN960D10	WASHER	3	
-33	AN3-7A	BOLT	2	
-34	AN507-1032-14	SCREW	1	
	5208187-2	SUPPORT (18355)	1	
-35	146142-187-100	PIN, Steel cadmium plated (18355)	2	
-36	26-8111-55	SUPPORT ASSY	1	
	26-8003	PULLEY ASSY, Throttle control (ATTACHING PARTS)	1	
	MS20365-1C32	NUT	1	
	AN960D10	WASHER	1	
-37	AN3-26A	BOLT	1	
-38	26-8003-2	PULLEY	1	
-39	AN207D3	BEARING	1	
-40	26-8999	ARM, Throttle pulley extension (ATTACHING PARTS)	1	
	MS20365-1032	NUT	3	
	AN960D10	WASHER	3	
-41	AN509-10R14	SCREW	3	
-42	MS24665-2-2	PIN, Cotter	2	
-43	MS20392-27	PIN	2	
-44	MS20365-1032	NUT	2	
-45	AN960D10	WASHER	2	
-46	AN520-10R24	SCREW	1	
	AN520-10R18	SCREW	1	
-47	26-8111-59	SPACER	4	
-48	AN210-2B	PULLEY	2	
-49	26-8111-57	BRACKET, Pulley	1	
	26-8111-58	BRACKET, Pulley	1	
-50	26-8111-71	BRACE ASSY	1	
	26-8111-75	BRACE ASSY	1	
-51	26-8111-47	BRACKET ASSY	1	
-52	26-8111-49	SUPPORT ASSY (ATTACHING PARTS)	1	
	MS20365-1032	NUT	4	
	AN960D10	WASHER	4	
-53	AN3-5A	BOLT	2	
-54	AN509-10R10	SCREW	2	
-55	MS20392-27	PIN	2	
	MS24665-2-2	PIN, Cotter	2	
-56	AN210-1B	PULLEY (ATTACHING PARTS)	2	
	MS20365-1032	NUT	2	
	AN960D10	WASHER	2	
	26-8111-59	SPACER	4	
-57	AN520-10R18	SCREW	2	
-58	26-8111-61	BRACKET	1	
-59	26-8111-63	BRACKET (ATTACHING PARTS)	1	
	MS20365-1032	NUT	4	
	AN960D10	WASHER	4	
-60	AN3-4A	BOLT	4	

Section II
Group Assembly Parts List

T.O. 1B-26K-4

FIG. AND INDEX NO.	PART NUMBER	DESCRIPTION	UNITS PER ASSY	USABLE ON CODE
60-61	REB3N	. . . END, Rod (86174) (ATTACHING PARTS)	1	
	AN320-3	. . . NUT	1	
	AN960D10	. . . WASHER	1	
-62	AN23-16	. . . BOLT	1	
		-----*-----		
-63	2062682A906W	. . . ROD ASSY, Quick disconnect (18355)	1	
-64	AN316-4R	. . . NUT	1	
	5208151	. . . BRACKET ASSY, Firewall engine control LH (18355) (ATTACHING PARTS)	1	
	MS20365-1032	. . . NUT	3	
	AN960D10	. . . WASHER	3	
-65	AN3-7A	. . . BOLT	3	
		-----*-----		
-66	5208151-2	. . . BRACKET (18355)	1	
-67	146142-187-100	. . . PIN, Steel cadmium plate (18355)	4	
-68	AN210-2A	. . . PULLEY	4	
	AN320-3	. . . NUT	4	
	AN960D10	. . . WASHER	4	
-69	AN23-26	. . . BOLT	4	
-70	NAS427K16	. . . PIN	4	
-71	4205155	. . . BRACKET, Firewall propeller pitch control LH (18355) (ATTACHING PARTS)	1	
	MS20365-1032	. . . NUT	4	
	AN960D10	. . . WASHER	4	
-72	AN3-6A	. . . BOLT	4	
		-----*-----		
-73	AN210-2A	. . . PULLEY	2	
	AN320-3	. . . NUT	1	
	AN960D10	. . . WASHER	1	
-74	AN23-24	. . . BOLT	1	
-75	143358-104	. . . PIN, Pulley guard (18355)	2	
-76	4210264	. . . CONTROL INSTL, Wing air filter (18355)	NP	
	5208575	. . . CONTROL INSTL, Engine and propeller LH (18355)	NP	
-77	5208946	. . . BRACKET, Engine and propeller LH (18355) (ATTACHING PARTS)	1	
	MS20365-1032	. . . NUT	2	
	AN960D10	. . . WASHER	2	
-78	AN3-10A	. . . BOLT	2	
		-----*-----		
-79	AN210-2A	. . . PULLEY	4	
	AN310-3	. . . NUT	1	
-80	AN3-27	. . . BOLT	1	
-81	NAS43DD3-14	. . . SPACER	2	
-82	143358-218	. . . PIN, Pulley guard (18355)	2	
-83	NAS43DD3-32	. . . SPACER	1	
-84	4128124	. . . BELLCRACK ASSY, Supercharger blower LH (18355)	1	
-85	1125564	. . . BUSHING, Engine control bellcrank (18355)	1	
-86	131736-3S003	. . . BUSHING, Plain sleeve steel (18355)	2	
-87	2276334	. . . BUSHING, Wing sta 85 supercharger blower bellcrank (18355)	1	
-88	AN210-2A	. . . PULLEY	2	
-89	2276402	. . . GUARD, Wing sta 85 propeller pitch control pulley (18355)	2	
-90	2276403	. . . ANGLE, Wing sta 85 propeller pitch control pulley guard (18355)	1	
	MS20365-1032	. . . NUT	2	
	AN960D10	. . . WASHER	2	
-91	AN3-11A	. . . BOLT	2	
-92	NAS43DD3-42	. . . SPACER	2	
	MS20365-1032	. . . NUT	1	
	AN960D10	. . . WASHER	1	
-93	AN3-5A	. . . BOLT	1	
-94	4128122	. . . BELLCRANK ASSY, Carburetor air LH (18355)	1	
-95	131736-3S003	. . . BUSHING, Plain sleeve steel (18355)	2	
-96	2276333	. . . BUSHING, Wing sta 85 carburetor air bellcrank (18355)	1	
	AN320-3	. . . NUT	1	
	AN960-10	. . . WASHER	1	
-97	AN3-65	. . . BOLT	1	

FIG. AND INDEX NO.	PART NUMBER	DESCRIPTION	UNITS PER ASSY	USABLE ON CODE
60-98	1127730	. . END, Bracket support rod upper (18355) (ATTACHING PARTS)	1	
	AN310-3	. . NUT	1	
	AN960D10	. . WASHER	1	
-99	AN3-7	. . BOLT	1	
		-----*		
-100	1208941-500	. . ROD, Engine control bracket support (18355)	1	
-101	1128831	. . END, Bracket support rod lower (18355)	1	
-102	1208941-502	. . ROD, engine control bracket support (18355)	1	
	5128638	CONTROL INSTL, Wing, engine and propeller LH (18355)	NP	
-103	5128637	. . BRACKET, Engine and propeller control LH (18355) (ATTACHING PARTS)	1	
	MS20365-428	. . NUT	3	
	AN960D416	. . WASHER	3	
-104	AN4-11A	. . BOLT	2	
	AN4-12A	. . BOLT	1	
		-----*		
-105	AN210-2A	. . PULLEY	4	
-106	AN23-42	. . BOLT	1	
	AN960D10	. . WASHER	1	
	AN320-3	. . NUT	1	
-107	1074744-3D516	. . SPACER, Aluminum alloy for no. 10 bolt (18355)	1	
-108	1074744-3D141	. . SPACER (18355)	1	
-109	1074744-3D297	. . SPACER (18355)	1	
-110	NAS427K36	. . PIN	1	
-111	143358-207	. . PIN, Pulley guard (18355)	1	
-112	4154040-24	. . CABLE ASSY, Wing mixture control 3/32-in. dia LH (18355)	1	
-113	4154040-32	. . CABLE ASSY, Wing throttle control 3/32-in. dia LH (18355)	1	
-114	4154040-34	. . CABLE ASSY, Wing propeller control 3/32-in. dia LH (18355)	1	
-115	AN155-16L	. . BARREL	6	
-116	2074407-16-5-4424	. . CABLE ASSY, Swaged type 3/32-in. dia (carburetor air aft (18355))	1	
-117	2074407-16-5-2806	. . CABLE ASSY, Swaged type 3/32-in. dia (carburetor air forward (18355))	1	
-118	2074407-16-5-3030	. . CABLE ASSY, Swaged type 3/32-in. dia (blower aft) (18355)	1	
-119	2074407-16-5-3030	. . CABLE ASSY, Swaged type 3/32-in. dia (blower forward) (18355)	1	
	AN320-3	. . NUT	4	
-120	AN23-9	. . BOLT	4	
-121	MS21251-16S	. . BARREL	6	
	5208576	CONTROL INSTL, Flexible nacelle engine LH (18355)	NP	
-122	5128529	. . BRACKET, Flexible nacelle engine control LH (18355) (ATTACHING PARTS)	1	
	AN310-3	. . NUT	3	
	AN960D10	. . WASHER	3	
-123	AN3-7	. . BOLT	3	
		-----*		
-124	B1129-1L	. . CONTROL ASSY, Carburetor air LH (89305)	1	
-125	B1130-1L	. . CONTROL ASSY, Supercharger blower LH (89305)	1	
-126	AN960-1416	. . WASHER	4	
-127	AN316-14R	. . NUT	2	
-128	NAS427K16	. . PIN	1	
-129	143358-221	. . PIN, Pulley guard (18355)	1	
-130	REB3N	. . END, Rod (86174) (ATTACHING PARTS)	2	
	AN320-3	. . NUT	2	
	AN960D10	. . WASHER	2	
-131	AN23-16	. . BOLT	2	
		-----*		
-132	AN316-4R	. . NUT	2	

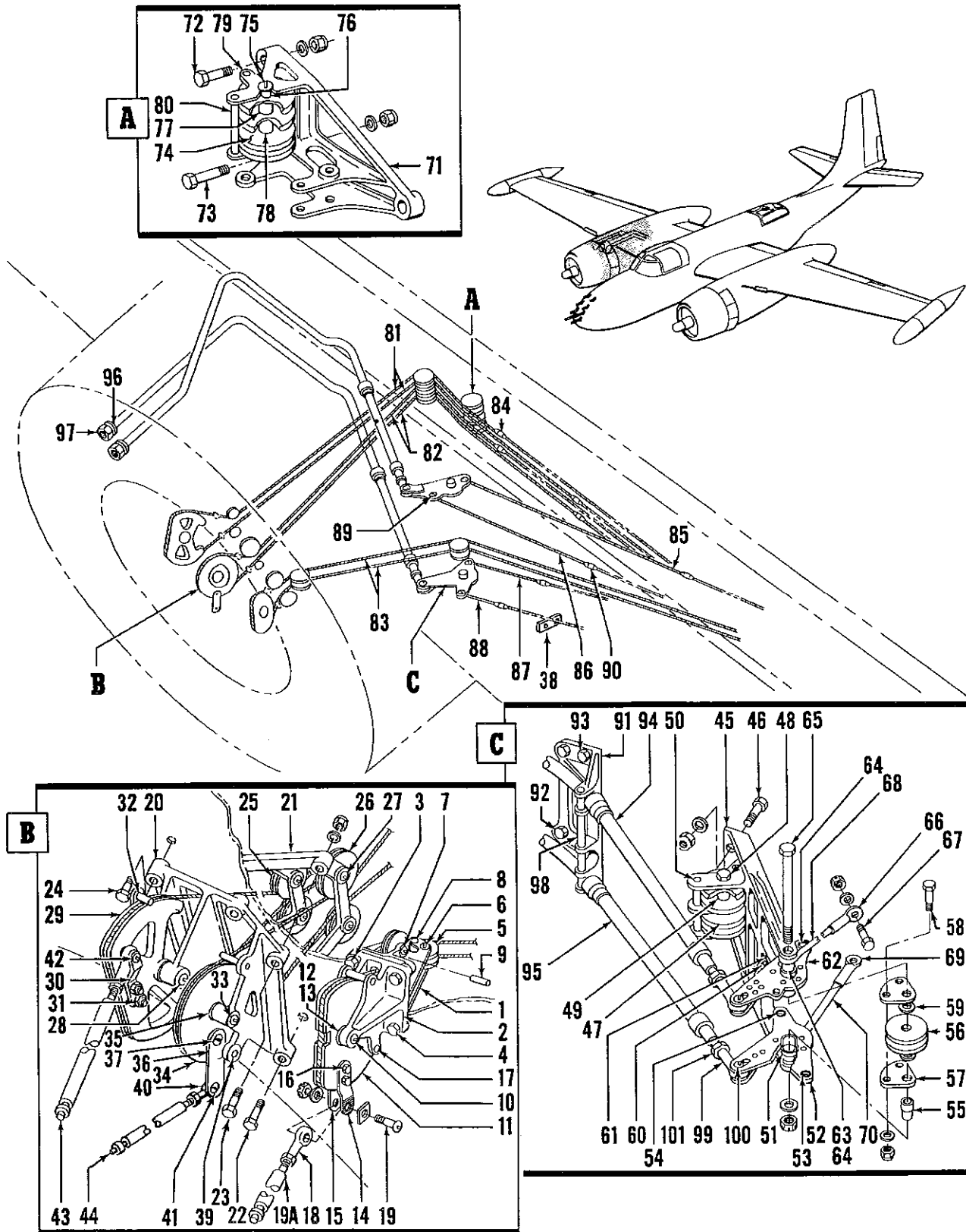


Figure 61. RH Wing Engine and Propeller Control Installation

FIG. AND INDEX NO.	PART NUMBER	DESCRIPTION	UNITS PER ASSY	USABLE ON CODE
61-	26-8402-2	CONTROL INSTL, Wing, engine and propeller(RH)(altered from 5208875 (18355)) (for NHA see fig. 3)	REF	
	5208578	. CONTROLS INSTL, Firewall, engine and carburetor air RH (18355)	NP	
-1	4205178	. . SUPPORT, Propeller pitch control cable pulley RH (18355)	1	
-2	4205173	. . SUPPORT, Propeller pitch control cable (18355) (ATTACHING PARTS)	1	
	MS20365-1032	. . NUT	4	
	AN960-10	. . WASHER	4	
-3	AN3-10	. . BOLT	2	
-4	AN3-11	. . BOLT -----*	2	
-5	AN210-2A	. . PULLEY (ATTACHING PARTS)	4	
	AN320-3	. . NUT	3	
	AN960-10	. . WASHER	3	
-6	AN23-24	. . BOLT	1	
-7	AN23-19	. . BOLT -----*	2	
-8	NAS427K13	. . PIN	1	
-9	143358-104	. . PIN, Pulley guard (18355)	1	
	4205165	. . DRUM ASSY, Propeller pitch control (18355) (ATTACHING PARTS)	1	
	AN320-3	. . NUT	1	
	AN960-10	. . WASHER	1	
-10	AN23-22	. . BOLT -----*	1	
	4205167	. . . DRUM ASSY, Propeller pitch control pulley (18355)	1	
-11	4205167-2	. . . DRUM (18355)	1	
-12	1128702	. . . BUSHING, Knurled bearing retainer (18355)	1	
-13	AN207D3	. . . BEARING	1	
-14	1205164	. . . ARM, Propeller pitch cable drum serrated (18355)	1	
-15	1205163	. . . ARM, Propeller pitch cable drum (18355) (ATTACHING PARTS)	1	
	MS20365-1032	. . . NUT	2	
	AN960-10L	. . . WASHER	2	
-16	AN3-7A	. . . BOLT -----*	2	
-17	143358-031	. . PIN, Pulley guard (18355)	2	
-18	26-8111-29	. . ROD ASSY (86174) (ATTACHING PARTS)	1	
	AN310-3	. . NUT	1	
	AN960-10	. . WASHER	1	
	1205638	. . WASHER, Serrated throttle bellcrank LH (18355)	1	
-19	AN23-16	. . BOLT -----*	1	
-19A	REB3N	. . . END, Rod (86174)	1	
-20	5195452	. . BRACKET, Firewall manifold pressure regulator and mixture control RH (18355)	1	
-21	5195453	. . BRACKET ASSY, Firewall engine control pulley RH (18355) (ATTACHING PARTS)	1	
	MS20365-428	. . NUT	5	
	AN960D416	. . WASHER	5	
-22	AN4-17A	. . BOLT	1	
-23	AN4-14A	. . BOLT	2	
-24	AN4-12A	. . BOLT -----*	2	
-25	AN210-1A	. . PULLEY	3	
-26	AN210-2A	. . PULLEY (ATTACHING PARTS)	1	
	AN320-3	. . NUT	4	
	AN960D10	. . WASHER	4	
-27	AN23-19	. . BOLT -----*	4	
	4298896	. . CRANK ASSY, Firewall mixture control RH (18355) (ATTACHING PARTS)	1	
	AN320-3	. . NUT	1	

Section II
Group Assembly Parts List

T.O. 1B-26K-4

FIG. AND INDEX NO.	PART NUMBER	DESCRIPTION	UNITS PER ASSY	USABLE ON CODE
61-	AN960D10	. . . WASHER	1	
-28	AN23-29	. . . BOLT	1	
		-----*		
-29	4195247-2	. . . DRUM (18355)	1	
-30	2195069	. . . ARM, Firewall manifold pressure regulator control	1	
		RH (18355)		
		(ATTACHING PARTS)		
	MS20365-1032	. . . NUT	2	
	AN960D10	. . . WASHER	2	
-31	AN23-13A	. . . BOLT	2	
		-----*		
-32	NAS427K10	. . . PIN	2	
	4195248	. . . CRANK ASSY, Firewall manifold pressure regulator control	1	
		RH (18355)		
		(ATTACHING PARTS)		
	AN320-3	. . . NUT	1	
	AN960D10	. . . WASHER	1	
-33	AN23-40	. . . BOLT	1	
		-----*		
-34	26-8003	. . . PULLEY ASSY, Throttle control	1	
	26-8003-2	. . . PULLEY	1	
-35	AN207D3	. . . BEARING	1	
-36	26-8999-1	. . . ARM, Throttle and pulley extension	1	
		(ATTACHING PARTS)		
	MS20365-1032	. . . NUT	3	
	AN960-10	. . . WASHER	3	
-37	AN509-10-10	. . . SCREW	3	
		-----*		
-38	4210264-1	. . . CONTROL INSTL, Air filter, wing (18355)	NP	
-39	NAS427K10	. . . PIN	2	
-40	REB3N	. . . END, Rod (86174)	2	
		(ATTACHING PARTS)		
	AN320-3	. . . NUT	2	
	AN960D10	. . . WASHER	2	
-41	AN23-16	. . . BOLT	1	
-42	AN23-26	. . . BOLT	1	
		-----*		
-43	2062641-612A	. . . ROD ASSY, Flash weld quick disconnect control (18355)	1	
-44	2062641-1000A	. . . ROD ASSY, Flash weld quick disconnect control (18355)	1	
	5208575-1	. . . CONTROL INSTL, Engine and propeller sta 85 RH (18355)	NP	
-45	5208946-1	. . . BRACKET, Engine and propeller (18355)	1	
		(ATTACHING PARTS)		
	MS20365-1032	. . . NUT	2	
	AN960D10	. . . WASHER	2	
-46	AN3-10A	. . . BOLT	2	
		-----*		
-47	AN210-2A	. . . PULLEY	4	
		(ATTACHING PARTS)		
	AN310-3	. . . NUT	1	
-48	AN3-27	. . . BOLT	1	
		-----*		
-49	NAS43DD3-14	. . . SPACER	1	
-50	143358-218	. . . PIN, Pulley guard (18355)	2	
-51	NAS43DD3-32	. . . SPACER	1	
-52	4128124-1	. . . BELLCRANK ASSY, Supercharger blower RH (18355)	1	
-53	1125564	. . . BUSHING, Engine control bellcrank (18355)	1	
-54	131736-3S003	. . . BUSHING, Plain sleeve steel (18355)	2	
-55	2276334	. . . BUSHING, Wing sta 85 supercharger blower bellcrank (18355)	1	
-56	AN210-2A	. . . PULLEY	2	
-57	2276402	. . . GUARD, Wing sta 85 propeller pitch control pulley (18355)	2	
		(ATTACHING PARTS)		
	MS20365-1032	. . . NUT	2	
	AN960D10	. . . WASHER	2	
-58	AN3-11A	. . . BOLT	2	
		-----*		
-59	NAS43DD3-42	. . . SPACER	2	

FIG. AND INDEX NO.	PART NUMBER	DESCRIPTION	UNITS PER ASSY	USABLE ON CODE		
					1	2
61-60	2276403	. . ANGLE, Wing sta 85 propeller pitch control pulley guard (18355) (ATTACHING PARTS)	1			
	MS20365-1032	. . NUT	1			
	AN960D10	. . WASHER	1			
-61	AN3-5A	. . BOLT	1			
		-----*				
-62	4128121	. . BELLCRANK ASSY, Carburetor air RH (18355)	1			
-63	131736-3S003	. . BUSHING, Plain sleeve steel (18355)	2			
-64	2276333	. . BUSHING, Wing sta 85 carburetor air bellcrank (18355)	1			
	AN320-3	. . NUT	1			
	AN960-10	. . WASHER	1			
-65	AN3-65	. . BOLT	1			
-66	1127730	. . END, Bracket support rod upper (18355) (ATTACHING PARTS)	1			
	AN310-3	. . NUT	1			
	AN960D10	. . WASHER	1			
-67	AN3-7	. . BOLT	1			
		-----*				
-68	1208941-500	. . ROD, Engine control bracket support (18355)	1			
-69	1127731	. . END, Bracket support rod lower (18355)	1			
-70	1208941-502	. . ROD, Engine control bracket support (18355)	1			
	5128638-1	. . CONTROL INSTL, Wing, engine and propeller sta 84 RH (18355)	NP			
-71	5128637-1	. . BRACKET, Engine and propeller control (18355) (ATTACHING PARTS)	1			
	MS20365-428	. . NUT	3			
	AN960D416	. . WASHER	3			
-72	AN4-11A	. . BOLT	2			
-73	AN4-12A	. . BOLT	1			
		-----*				
-74	AN210-2A	. . PULLEY (ATTACHING PARTS)	4			
	AN320-3	. . NUT	1			
	AN960D10	. . WASHER	1			
-75	AN23-42	. . BOLT	1			
		-----*				
-76	1074744-3D156	. . SPACER, Aluminum alloy for no. 10 bolt (18355)	1			
-77	1074744-3D141	. . SPACER (18355)	1			
-78	1074744-3D297	. . BUSHING, Plain sleeve steel (18355)	1			
-79	NAS427K36	. . PIN	1			
-80	143358-207	. . PIN, Pulley guard (18355)	1			
-81	4154040-20	. . CABLE ASSY, Wing mixture control 3/32-in. dia RH (18355)	1			
-82	4154040-22	. . CABLE ASSY, Wing manifold pressure regulator control 3/32-in. dia RH (18355)	1			
-83	4154040-36	. . CABLE ASSY, Wing propeller control 3/32-in. dia RH (18355)	1			
-84	MS21251-16L	. . BARREL	6			
-85	2074407-16-5-2828	. . CABLE ASSY, Swaged type 3/32-in. dia (carburetor air aft) (18355)	1			
-86	2074407-16-5-2828	. . CABLE ASSY, Swaged type 3/32-in. dia (carburetor air forward) (18355)	1			
-87	2074407-16-5-3724	. . CABLE ASSY, Swaged type 3/32-in. dia (lower aft) (18355)	1			
-88	2074407-16-5-2830	. . CABLE ASSY, Swaged type 3/32-in. dia (blower forward) (18355).	1			
	AN320-3	. . NUT	4			
-89	AN23-10	. . BOLT	6			
-90	MS21251-16S	. . BARREL	4			
	5208577	. . CONTROL INSTL, Flexible nacelle engine RH (18355)	1			
-91	4128298	. . SUPPORT, Flexible nacelle engine control RH (18355) (ATTACHING PARTS)				
	MS20365-1032	. . NUT	3			
	AN960D10	. . WASHER	3			
-92	AN3-24A	. . BOLT	1			
-93	AN3-14A	. . BOLT	2			
		-----*				
-94	B1129-1R	. . CONTROL ASSY, Carburetor air RH (89305)	1			
-95	B1130-1R	. . CONTROL ASSY, Supercharger blower RH (89305)	1			
-96	AN960-1416	. . WASHER	4			

Section II
Group Assembly Parts List

T.O. 1B-26K-4

FIG. AND INDEX NO.	PART NUMBER	DESCRIPTION							UNITS PER ASSY	USABLE ON CODE
		1	2	3	4	5	6	7		
61-97	AN316-14R	.	.	NUT	2	
-98	143358-424	.	.	PIN, Pulley guard (18355)	1	
-99	REB3N	.	.	END, Rod (86174)	2	
				(ATTACHING PARTS)						
	AN320-3	.	.	NUT	2	
	AN960D10	.	.	WASHER	2	
-100	AN23-16	.	.	BOLT	2	
				-----*						
-101	AN316-4R	.	.	NUT	2	

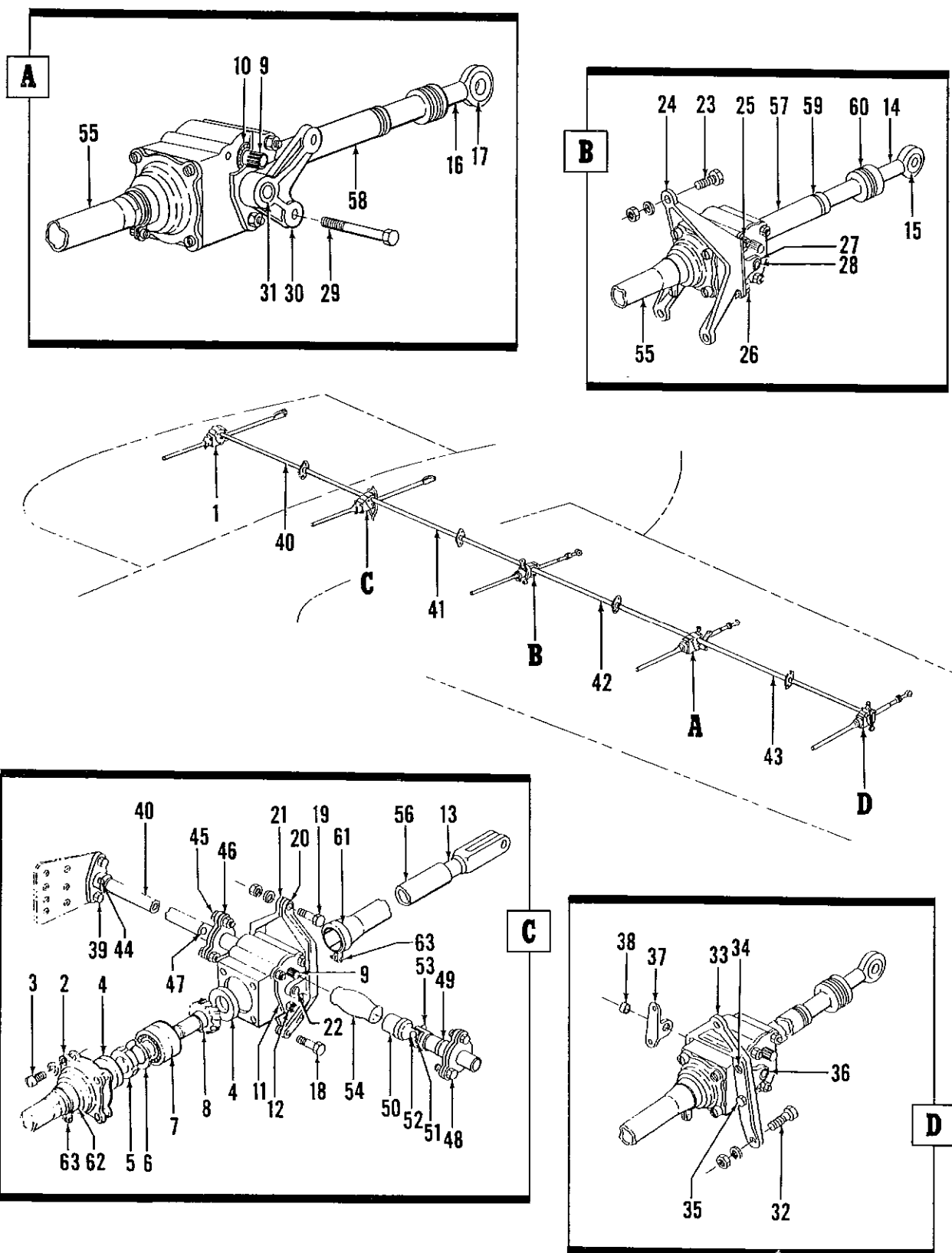


Figure 62. LH and RH Wing Flap Operating Mechanism Installations

Section II
Group Assembly Parts List

T.O. 1B-26K-4

FIG. AND INDEX NO.	PART NUMBER	DESCRIPTION 1 2 3 4 5 6 7	UNITS PER ASSY	USABLE ON CODE
62-	5122102	MECHANISM INSTL, Wing flap operating LH (18355) (for NHA see fig. 3)	REF	
	5122102-1	MECHANISM INSTL, Wing flap operating RH (18355) (for NHA see fig. 3)	REF	
	5191907-4	. . . BOX ASSY, Wing flap gear sta 33 and 81 (18355)	2	
	5191907-6	. . . BOX ASSY, Wing flap gear sta 143 and 269 (18355)	2	
	5191907-2	. . . BOX ASSY, Wing flap gear sta 203 (18355)	1	
-1	4128209	. . . HOUSING, Wing flap gear box (18355)	1	
-2	2155363	. . . CAP, Wing flap gear box (18355)	1	
	1128741	. . . GASKET, Wing flap gear box cap (18355) (ATTACHING PARTS)	1	
	AN960D10	. . . WASHER	4	
-3	AN502-10-12	. . . SCREW -----*-----	4	
-4	13722	. . . RETAINER, Oil (80201)	2	
-5	NO4	. . . NUT, Lock (38443)	1	
-6	WO4	. . . WASHER, Lock (38443)	1	
-7	7204DB	. . . BEARING, Ball type 10 (86174)	2	
-8	2279652	. . . WHEEL, Wing flap gear box worm (18355)	1	
-9	2126860	. . . WORM, Wing flap gear box (18355)	1	
-10	T77039	. . . BEARING, Ball (60380)	2	
-11	2126832	. . . PLATE, Wing flap gear box side (18355)	2	
	1128742	. . . GASKET, Wing flap gear box side plate (18355) (ATTACHING PARTS)	2	
	MS20365-1032	. . . NUT	3	
	AN960-10L	. . . WASHER	3	
-12	AN3-24A	. . . BOLT -----*-----	3	
-13	2126835	. . . SCREW ASSY, Inboard wing flap gear box (18355) (used on 5191907-4)	2	
-14	2126834	. . . SCREW ASSY, Outboard wing flap end gear box (18355) (used on 5191907-6)	2	
-15	RBC5	. . . BEARING, Needle (51588)	1	
-16	2126862	. . . SCREW ASSY, Outboard wing flap center gear box (18355) (used on 5191907-2)	1	
-17	RBC8	. . . BEARING, Needle (51588)	1	
	2126844	. . . SUPPORT ASSY, Inboard wing flap gear box LH (18355)	2	
	2126844-1	. . . SUPPORT ASSY, Inboard wing flap gear box RH (18355) (ATTACHING PARTS)	2	
	MS20365-428	. . . NUT	3	
	AN960D416	. . . WASHER	3	
-18	AN4-14A	. . . BOLT	1	
-19	AN4-23A	. . . BOLT -----*-----	2	
-20	2126844-2	. . . SUPPORT, LH (18355)	1	
-21	2126844-3	. . . SUPPORT, RH (18355)	1	
-22	1193805	. . . BUSHING, Wing flap gear box support (18355)	1	
	2126769	. . . SUPPORT ASSY, Wing sta 144 outboard flap gear box LH (18355)	1	
	2126769-1	. . . SUPPORT ASSY, Wing sta 144 outboard flap gear box RH (18355) (ATTACHING PARTS)	1	
	MS20365-428	. . . NUT	3	
	AN960D416	. . . WASHER	3	
-23	AN4-11A	. . . BOLT -----*-----	3	
-24	2126767	. . . SUPPORT, Wing sta 144 outboard flap gear box LH (18355)	1	
	2126767-1	. . . SUPPORT, Wing sta 144 outboard flap gear box RH (18355)	1	
	1127747	. . . CLIP ASSY, Wing sta 144 outboard flap gear box support (18355) (ATTACHING PARTS)	2	
	MS20365-428	. . . NUT	4	
	AN960D416	. . . WASHER	4	
-25	AN509-416R15	. . . SCREW	2	
-26	AN4-7A	. . . BOLT -----*-----	2	
-27	1127747-2	. . . CLIP (18355)	1	

FIG. AND INDEX NO.	PART NUMBER	DESCRIPTION	UNITS PER ASSY	USABLE ON CODE
62-28	1193805	. . . BUSHING, Wing flap gear box support (18355)	1	
	2129150	. SUPPORT ASSY, Wing sta 204 outboard flap gear box LH	1	
	2129150-1	. SUPPORT ASSY, Wing sta 204 outboard flap gear box RH	1	
		(18355)		
		(ATTACHING PARTS)		
	MS20365-428	. NUT	2	
	AN960D416	. WASHER	2	
-29	AN4-52A	. BOLT	2	
		-----*		
-30	2129150-2	. . SUPPORT, LH (18355)	1	
	2129150-3	. . SUPPORT, RH (18355)	1	
-31	1193805	. . BUSHING, Wing flap gear box support (18355)	1	
	2126768	. SUPPORT ASSY, Wing sta 271 outboard flap gear box LH	1	
		(18355)		
	2126768-1	. SUPPORT ASSY, Wing sta 271 outboard flap gear box RH	1	
		(18355)		
		(ATTACHING PARTS)		
	MS20365-428	. NUT	3	
	AN960D416	. WASHER	3	
-32	AN4-11A	. BOLT	3	
		-----*		
-33	2126766	. . SUPPORT, Wing sta 271 outboard flap gear box LH (18355)	1	
	2126766-1	. . SUPPORT, Wing sta 271 outboard flap gear box RH (18355)	1	
	1127746	. . CLIP ASSY, Wing sta 271 outboard flap gear box support	1	
		LH (18355)		
	1127746-1	. . CLIP ASSY, Wing sta 271 outboard flap gear box support	1	
		RH (18355)		
		(ATTACHING PARTS)		
	MS20365-428	. . NUT	2	
	AN960D416L	. . WASHER	2	
-34	AN24-11A	. . BOLT	2	
	MS20365-428	. . NUT	2	
	AN960C416	. . WASHER	2	
-35	AN4-6A	. . BOLT	2	
		-----*		
-36	1127746-2	. . . CLIP, LH (18355)	1	
-37	1127746-3	. . . CLIP, RH (18355)	1	
-38	1193805	. . . BUSHING, Wing flap gear box support (18355)	1	
	2129173	. TUBE ASSY, Wing sta 34 to 81 flap operating torque (18355)	1	
	2129176	. TUBE ASSY, Wing sta 84 to 141 flap operating torque (18355)	1	
	2193762	. TUBE ASSY, Wing sta 144 to 204 flap operating torque (18355)	1	
	2193764	. TUBE ASSY, Wing sta 204 to 269 flap operating torque (18355)	1	
		(ATTACHING PARTS)		
	MS20365-1032	. NUT	2	
	AN960D10	. WASHER	2	
-39	AN3-7A	. BOLT	2	
		-----*		
-40	2129173-2	. . TUBE (18355) (Used on 2129173)	1	
-41	2129176-2	. . TUBE (18355) (Used on 2129176)	1	
-42	2193764-2	. . TUBE (18355) (Used on 2193762)	1	
-43	2193764-2	. . TUBE (18355) (Used on 2193764)	1	
-44	AN38H10P10	. . PIN	4	
	1143652	. DISCONNECT ASSY, Wing flap operating torque sta 204	3	
		(18355)		
		(ATTACHING PARTS)		
	MS20365-428	. NUT	3	
-45	AN4-6A	. BOLT	3	
		-----*		
-46	1143652-2	. . DISCONNECT (18355)	1	
-47	146142-081-016	. . PIN (18355)	1	
	1194867	. JOINT ASSY, Flap operating small torque tube welded	1	
		(18355)		

Section II
Group Assembly Parts List

T.O. 1B-26K-4

FIG. AND INDEX NO.	PART NUMBER	DESCRIPTION 1 2 3 4 5 6 7	UNITS PER ASSY	USABLE ON CODE
62-		(ATTACHING PARTS)		
	MS20365-428	. NUT	3	
-48	AN4-6A	. BOLT	3	
		-----*		
-49	2277110	. . HUB ASSY, Wing flap universal joint (18355)	1	
-50	2277109	. . HUB ASSY, Wing flap universal joint welded (18355)	1	
-51	A5013	. . BLOCK (87121)	1	
-52	A5014	. . OIL PIN (87121)	1	
-53	A5015	. . PIN (87121)	1	
-54	1151514	. BOOT ASSY, Wing flap universal joint (18355)	1	
-55	2190955	. SHROUD, Wing flap gear box forward (18355)	5	
-56	2151848	. SHROUD, Wing flap gear box inboard screw (18355)	2	
-57	2192073-6	. SHROUD, Flap screw outer (18355)	3	
	2192073-8	. SHROUD, Flap screw outer (18355)	3	
-58	2192075-10	. SHROUD, Flap screw inner (18355)	3	
	2192075-12	. SHROUD, Flap screw inner (18355)	3	
-59	1159941	. SPRING, Flap screw inner shroud lock (18355)	6	
-60	1159942	. SPRING, Flap screw outer shroud lock (18355)	3	
-61	AN735-16	. CLAMP	5	
-62	AN735-18	. CLAMP	5	
		(ATTACHING PARTS)		
	MS20365-832	. NUT	1	
-63	AN515-8-10	. SCREW	1	
		-----*		

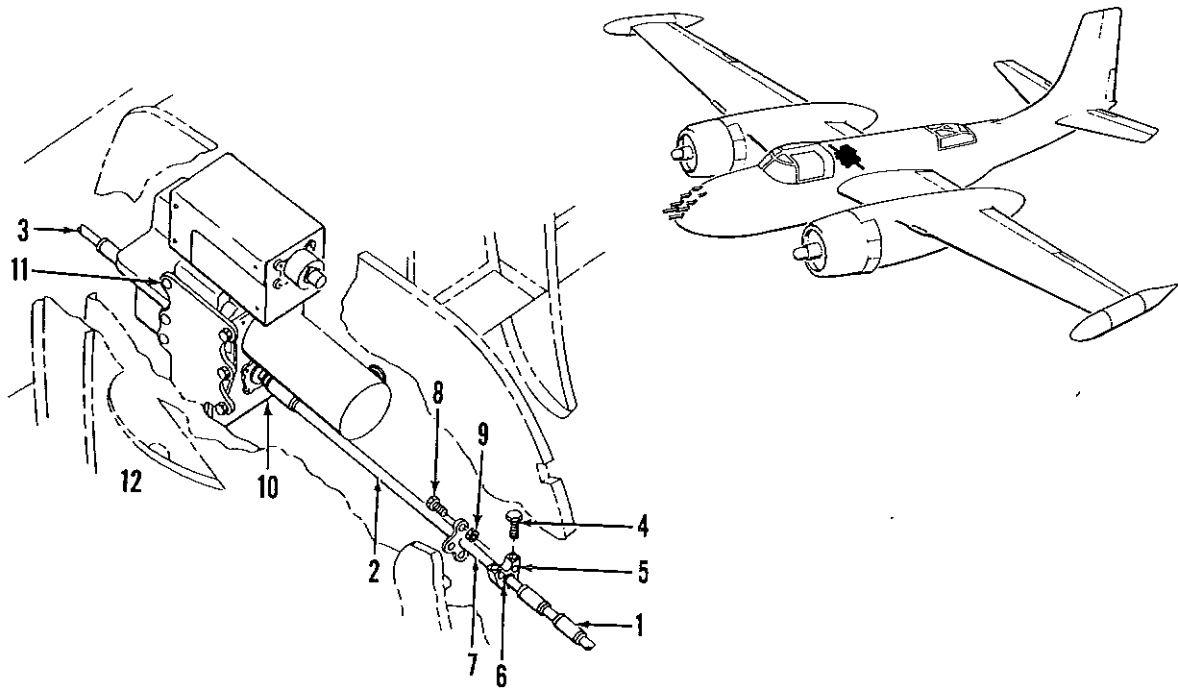


Figure 63. Fuselage Section Flap Operating Mechanism Installation

FIG. AND INDEX NO.	PART NUMBER	DESCRIPTION	UNITS PER ASSY	USABLE ON CODE
63-	26-1162-1	FLAP OPERATING MECHANISM INSTL., Fuselage section (for NHA . . . see fig. 4)	REF	
-1	2195033	. TUBE ASSY, Flap operating torque wing sta 32 LH (18355)	2	
-2	2192061	. SHAFT ASSY, Flap operating fuselage section (18355)	1	
-3	2129174 2190989	. TUBE ASSY, Flap operating torque wing sta 32 RH (18355) BRACKET ASSY, Flap shaft left bearing (18355) (ATTACHING PARTS)	1 2	
-4	MS20073-7	. BOLT	2	
		-----*		
-5	2190989-2	. BRACKET (18355)	1	
-6	KS6	. BEARING (21760)	1	
-7	2195056	. DISCONNECT ASSY, Fuselage section drive shaft welded (18355)	2	
-8	AN4-6A	. BOLT	6	
-9	MS20365-428	. NUT	6	
-10	26-1160-1	. CASE ASSY, Wing flap actuator (T. O. pending) (ATTACHING PARTS)	1	
	MS20365-524	. NUT	2	
	AN960D516	. WASHER	2	
	2033901-12D328-008	. BUSHING (18355)	2	
-11	AN5-21A	. BOLT	2	
	MS20365-524	. NUT	2	
	AN960D516	. WASHER	2	
	2033901-12D328-006	. BUSHING (18355)	2	
-12	1048705-21	. BOLT (18355)	2	
		-----*		

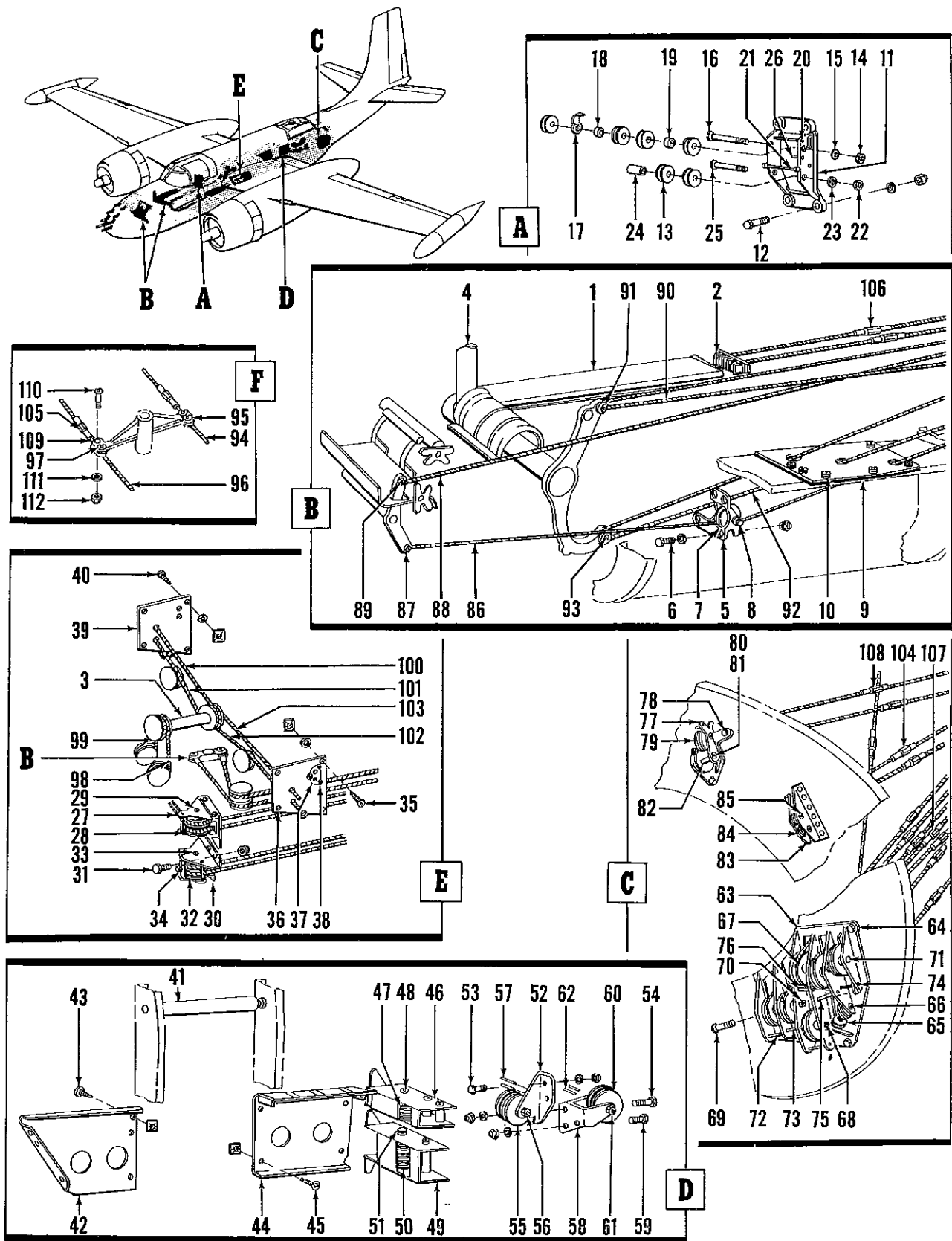


Figure 64. Fuselage Section Flight Control Installation

FIG. AND INDEX NO.	PART NUMBER	DESCRIPTION	UNITS PER ASSY	USABLE ON CODE
64-	26-9200	FLIGHT CONTROL INSTL, Fuselage section (altered from DAC 5153214) (for NHA see fig. 4)	REF	
-1	5191929	. CABLE GUARD INSTL, Aileron, sta 49 to 75 (18355). (for details see fig. 65)	NP	
-2	5150377	. FLIGHT CONTROL INSTL, Aileron, fuselage sta 74 (18355) (for details see fig. 65)	NP	
-3	5191005	. TORQUE TUBE AND CONTROL LOCK INSTL, Aileron (18355) (for details see fig. 65)	NP	
-4	26-9239	. DUAL CONTROLS INSTL (For details see fig. 66)	NP	
-5	4123763	. FLIGHT CONTROL INSTL, Fuselage sta 49 (18355)	1	
	4123746	. BRACKET (18355) (ATTACHING PARTS)	1	
-6	MS20366-1032	. NUT	4	
	AN960D10	. WASHER	4	
	AN3-6A	. BOLT	4	
-7	AN210-4A	. PULLEY (ATTACHING PARTS)	1	
	AN320-4	. NUT	1	
-8	AN960D10	. WASHER	1	
	AN24-25	. BOLT	1	
	4154140	. CABLE SEAL INSTL, Fuselage sta 70 (18355)	1	
-9	2155001	. SEAL	1	
	AN960D8	. WASHER	6	
-10	AN530-8-10	. SCREW	6	
	5150046	. FLIGHT CONTROL INSTL, Fuselage sta 88 (18355)	1	
-11	5150048	. BRACKET (18355) (ATTACHING PARTS)	1	
	MS20365-1032	. NUT	4	
	AN960D10	. WASHER	4	
-12	AN3-10A	. BOLT	4	
	AN210-4A	. PULLEY	6	
-14	AN320-4	. NUT	1	
-15	AN960-D416	. WASHER	1	
-16	AN24-58	. BOLT	1	
-17	1151315	. GUARD (18355)	1	
-18	NAS43DD4-14	. SPACER	1	
-19	NAS43DD4-16	. SPACER	1	
-20	NAS427K52	. PIN	1	
-21	NAS427K16	. PIN	1	
-22	AN320-4	. NUT	1	
-23	AN960D416	. WASHER	1	
-24	NAS43DD4-62	. SPACER	1	
-25	AN24-54	. BOLT	1	
-26	NAS427K24	. PIN	2	
	5150053	. FLIGHT CONTROL INSTL, Fuselage sta 105 (18355)	1	
-27	2129322	. BRACKET ASSY (18355)	1	
-28	AN210-2A	. PULLEY (ATTACHING PARTS)	2	
	AN320-3	. NUT	1	
	AN960D10	. WASHER	1	
-29	AN23-16	. BOLT	1	
	2129323	. BRACKET ASSY (18355) (ATTACHING PARTS)	1	
-31	MS20365-1032	. NUT	2	
	AN3-7A	. BOLT	2	
-32	AN210-2A	. PULLEY (ATTACHING PARTS)	2	
	AN320-3	. NUT	1	
-33	AN960D10	. WASHER	1	
	AN23-16	. BOLT	1	
		1	

Section II
Group Assembly Parts List

T.O. 1B-26K-4

FIG. AND INDEX NO.	PART NUMBER	DESCRIPTION	UNITS PER ASSY	USABLE ON CODE
64-34	NAS427K14	. . . PIN	2	
	5196708	. . . CABLE SEAL INSTL, Fuselage to wing (18355)	1	
	5196712	. . . CABLE SEAL ASSY, Fuselage to wing RH (18355) (ATTACHING PARTS)	1	
	A1778-8Z1	. . . NUT (78553)	5	
	AN960D8	. . . WASHER	5	
-35	AN530-8-16	. . . SCREW	5	
		-----*		
-36	5196712-2	. . . SEAL (18355)	1	
-37	2155000	. . . SEAL (18355) (ATTACHING PARTS)	1	
	A1778-8Z1	. . . NUT (78553)	3	
	AN960D8	. . . WASHER	3	
-38	AN530-6-8	. . . SCREW	3	
		-----*		
-39	5196709	. . . CABLE SEAL, Fuselage to wing LH (18355) (ATTACHING PARTS)	1	
	A1778-8Z1	. . . NUT (78553)	5	
	AN960D8	. . . WASHER	5	
-40	AN530-8-16	. . . SCREW	5	
		-----*		
-41	5157662	. . . CABLE GUARD, Instl, fuselage sta 240 to 298 (18355)	1	
-42	5152237	. . . GUARD ASSY (18355)	1	
	5157662-10	. . . GUARD (18355) (ATTACHING PARTS)	1	
	A1778-8Z1	. . . NUT (78553)	6	
-43	AN530-8R8	. . . SCREW	6	
		-----*		
-44	5157662-8	. . . GUARD (18355) (ATTACHING PARTS)	1	
	A1778-8Z1	. . . NUT (78553)	6	
-45	AN530-8R8	. . . SCREW	6	
		-----*		
-46	4157951	. . . FLIGHT CONTROLS INSTL, Fuselage sta 298 (18355)	1	
	4157956	. . . BRACKET (18355)	1	
-47	AN210-3A	. . . PULLEY (ATTACHING PARTS)	3	
	AN320-4	. . . NUT	1	
	AN960D416	. . . WASHER	1	
-48	AN24-30	. . . BOLT	1	
		-----*		
-49	4157955	. . . BRACKET (18355)	1	
-50	AN210-3A	. . . PULLEY (ATTACHING PARTS)	5	
-51	AN4H31A	. . . BOLT	1	
		-----*		
-52	5150114	. . . FLIGHT CONTROLS INSTL, Fuselage sta 315 (18355)	1	
	4129493	. . . BRACKET (18355) (ATTACHING PARTS)	1	
	MS20365-1032	. . . NUT	2	
	AN960D10	. . . WASHER	2	
-53	AN3-5A	. . . BOLT	2	
-54	AN3-11A	. . . BOLT	1	
		-----*		
-55	AN210-2A	. . . PULLEY (ATTACHING PARTS)	2	
	AN320-3	. . . NUT	1	
	AN960D10	. . . WASHER	1	
-56	AN23-24	. . . BOLT	1	
		-----*		
-57	NAS427K24	. . . PIN	2	
-58	4129494	. . . BRACKET (18355) (ATTACHING PARTS)	1	
	MS20365-1032	. . . NUT	2	
	AN960D10	. . . WASHER	2	
-59	AN3-5A	. . . BOLT	2	
		-----*		

FIG. AND INDEX NO.	PART NUMBER	DESCRIPTION	UNITS PER ASSY	USABLE ON CODE
64-60	AN210-2A	. . PULLEY (ATTACHING PARTS)	2	
	MS20365-1032	. . NUT	1	
	AN960D10	. . WASHER	1	
-61	AN23-24A	. . BOLT -----*	1	
-62	NAS427K16	. . PIN	2	
	5190427	. . FLIGHT CONTROLS INSTL, Fuselage sta 332 and 352 (18355)	1	
-63	5190428	. . BRACKET (18355) (ATTACHING PARTS)	1	
	MS20365-1032	. . NUT	4	
-64	AN3-20A	. . BOLT -----*	4	
-65	AN210-1A	. . PULLEY (ATTACHING PARTS)	2	
	AN320-3	. . NUT	2	
	124682-3S12-064	. . WASHER (18355)	2	
-66	AN23-21	. . BOLT -----*	2	
-67	AN210-4A	. . PULLEY (ATTACHING PARTS)	6	
	AN320-4	. . NUT	6	
-68	AN24-44	. . BOLT	3	
-69	AN24-46	. . BOLT	1	
-70	AN24-52	. . BOLT	1	
-71	AN24-31	. . BOLT -----*	1	
-72	143358-211	. . PIN (18355)	2	
-73	NAS427K44	. . PIN	1	
-74	143358-119	. . PIN (18355)	1	
-75	143358-221	. . PIN (18355)	1	
-76	143358-209	. . PIN (18355)	1	
-77	4190201	. . BRACKET (18355) (ATTACHING PARTS)	1	
	MS20365-1032	. . NUT	3	
-78	AN3-7A	. . BOLT -----*	3	
-79	AN210-2A	. . PULLEY (ATTACHING PARTS)	2	
-80	AN320-3	. . NUT	2	
-81	AN23-30	. . BOLT -----*	2	
-82	NAS43DD3-36	. . SPACER	2	
-83	2159704	. . BRACKET (18355)	1	
-84	AN210-1A	. . PULLEY (ATTACHING PARTS)	2	
	AN320-3	. . NUT	2	
-85	AN23-13	. . BOLT -----*	2	
-86	2074409-10-6-36300	. . CABLE ASSY, Rudder nose right forward (18355) (ATTACHING PARTS)	1	
	AN320-4	. . NUT	1	
	AN960-416	. . WASHER	1	
	MS24665-2-2	. . PIN, Cotter	1	
-87	AN24-20	. . BOLT, Eye -----*	1	
-88	2074409-10-6-37709	. . CABLE ASSY, Rudder nose left forward (18355) (ATTACHING PARTS)	1	
	AN320-4	. . NUT	1	
	AN960-416	. . WASHER	1	
	MS24665-2-2	. . PIN COTTER	1	
-89	AN24-20	. . BOLT, Eye -----*	1	
-90	2074409-10-6-33300	. . CABLE ASSY, Elevator nose down FWD right and left (18355) (ATTACHING PARTS)	2	
	AN320-4	. . NUT	1	
	143908-008S104-062	. . WASHER (18355)	1	
-91	AN24-29	. . BOLT, Eye -----*	1	

Section II
Group Assembly Parts List

T.O. 1B-26K-4

FIG. AND INDEX NO.	PART NUMBER	DESCRIPTION 1 2 3 4 5 6 7	UNITS PER ASSY	USABLE ON CODE
64-92	2205842	. CABLE ASSY, Elevator nose up FWD right and left (18355) (ATTACHING PARTS)	2	
	AN320-4	. NUT	1	
	143908-008S104-062	. WASHER (18355)	1	
	MS24665-2-2	. PIN, Cotter	1	
-93	AN24-29	. BOLT	1	
		-----*-----		
-94	2074406-6-4-28616	. CABLE ASSY, Control lock forward (18355) (ATTACHING PARTS)	1	
	AN320-3	. NUT	1	
	AN960-10	. WASHER	1	
	MS24665-2-2	. PIN, Cotter	1	
-95	AN23-11	. BOLT	1	
		-----*-----		
-96	2074406-6-4-27518	. CABLE ASSY, Control lock release FWD (18355) (ATTACHING PARTS)	1	
	AN320-3	. NUT	1	
	AN960-10	. WASHER	1	
	MS24665-2-2	. PIN, Cotter	1	
-97	AN23-11	. BOLT	1	
		-----*-----		
-98	26-9226-12	. CABLE ASSY, Aileron right wing down (18355)	1	
-99	26-9226-14	. CABLE ASSY, Aileron left wing down (18355)	1	
-100	2153780-8	. CABLE ASSY, Right aileron right wing down (18355)	1	
-101	2153780-6	. CABLE ASSY, Right aileron left wing down (18355)	1	
-102	2153780-4	. CABLE ASSY, Left aileron right wing down (18355)	1	
-103	2153780-2	. CABLE ASSY, Left aileron left wing down (18355)	1	
-104	MS21251-8S	. BARREL, Turnbuckle	2	
-105	MS21251-16S	. BARREL, Turnbuckle	2	
-106	MS21251-32S	. BARREL, Turnbuckle	2	
-107	MS21251-32L	. BARREL, Turnbuckle	6	
-108	MS21251-16L	. BARREL, Turnbuckle	4	
-109	MS21254-16S	. EYE, Turnbuckle (ATTACHING PARTS)	2	
-110	AN23-11	. BOLT	2	
-111	AN960-10	. WASHER	2	
-112	AN320-3	. NUT	2	
		-----*-----		

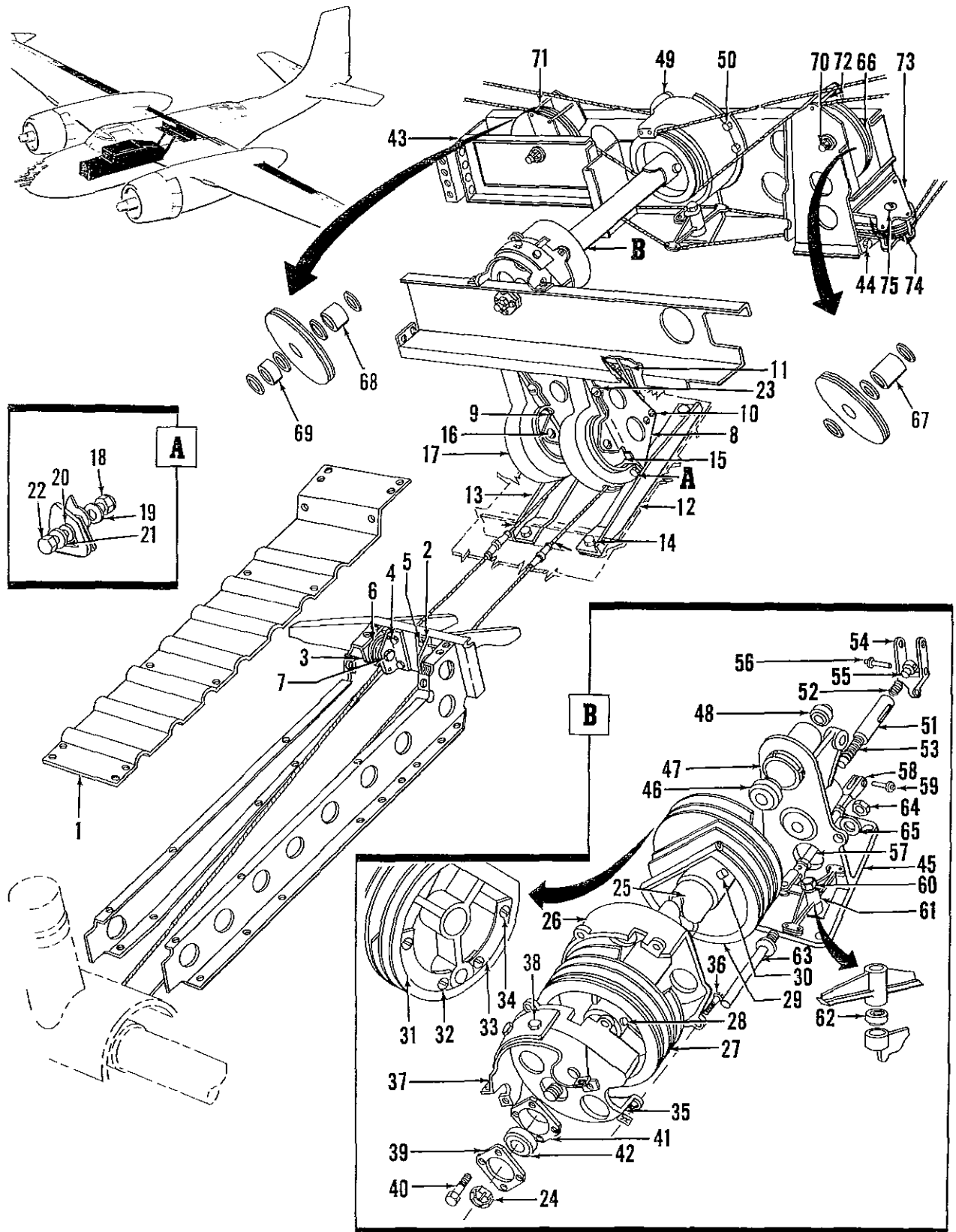


Figure 65. Fuselage Flight Controls and Cable Guard Installations

Section II
Group Assembly Parts List

T.O. 1B-26K-4

FIG. AND INDEX NO.	PART NUMBER	DESCRIPTION	UNITS PER ASSY	USABLE ON CODE
65-	5191929	FUSELAGE FLIGHT CONTROLS AND CABLE GUARD INSTALLATIONS. CABLE GUARD INSTL, Aileron sta 49 to 75 (18355) (for NHA see fig. 64)	REF	
-1	5191929-6	COVER, Aileron cable guard (18355)	1	
	AN530-8-6	(ATTACHING PARTS)		
		SCREW	16	
		-----*		
	5150377	FLIGHT CONTROL INSTL, Aileron, fuselage sta 74 (18355) (for NHA see fig. 64)	REF	
-2	2151899	BRACKET ASSY, Outboard aileron pulley (18355)	1	
-3	2151609	BRACKET ASSY, Inboard aileron pulley (18355)	1	
		(ATTACHING PARTS)		
	MS20365-1032	NUT	4	
	AN960D10L	WASHER	4	
-4	AN3-4A	BOLT	2	
-5	AN3-5A	BOLT	2	
		-----*		
-6	AN210-3A	PULLEY	2	
		(ATTACHING PARTS)		
	AN320-4	NUT	2	
	AN960D416	WASHER	2	
-7	AN24-15	BOLT	2	
		-----*		
	5191005	TORQUE TUBE AND CONTROL LOCK INSTL, Aileron (18355) (for NHA see fig. 64)	REF	
	5191859	BRACKET ASSY, Aileron torque tube fwd support (18355)	1	
-8	5191859-4	BRACKET, Aileron torque tube fwd support, LH (18355)	1	
	5191859-6	BRACKET, Aileron torque tube fwd support, RH (18355)	1	
		(ATTACHING PARTS)		
	MS20365-832	NUT	4	
	AN960D8	WASHER	4	
	NAS43DD048	SPACER	4	
-10	AN515-8-20	SCREW	4	
		-----*		
-11	4191501	GUARD (18355)	1	
-12	1191750	ANGLE, Aileron bracket pulley, LH (18355)	1	
-13	1191750-1	ANGLE, Aileron bracket pulley, RH (18355)	1	
		(ATTACHING PARTS)		
	MS20365-428	NUT	4	
	AN960D416	WASHER	4	
-14	AN4-5A	BOLT	4	
		-----*		
-15	AN210-6A	PULLEY	2	
		(ATTACHING PARTS)		
	AN320-6	NUT	2	
	AN960D616	WASHER	2	
-16	AN26-21	BOLT	2	
		-----*		
-17	4192954	GUARD, Aileron pulley (18355)	2	
		(ATTACHING PARTS)		
-18	MS20365-428	NUT	2	
-19	AN960D416	WASHER	2	
-20	124682-4S10-031	WASHER (18355)	2	
-21	NAS43DD4-10	SPACER	2	
-22	AN4-7A	BOLT	2	
	MS20365-1032	NUT	2	
	AN960D10	WASHER	2	
-23	AN520-10-12	SCREW	2	
		-----*		
	5128639	TUBE ASSY, Aileron differential drum torque (18355)	1	
		(ATTACHING PARTS)		
-24	AN310-6	NUT	1	
	AN960C616	WASHER	1	
		-----*		
-25	5128641	TUBE ASSY, Aileron torque (18355)	1	

FIG. AND INDEX NO.	PART NUMBER	DESCRIPTION	UNITS PER ASSY	USABLE ON CODE
65-26	4151131	. . . GUARD, Aileron torque tube, forward drum (18355)	1	
-27	5128640	. . . DRUM, Aileron differential (18355) (ATTACHING PARTS)	1	
	MS20364-1032	. . . NUT	2	
	AN975-3	. . . WASHER	2	
-28	AN386-1-20A	. . . PIN -----*-----	2	
-29	5128632	. . . DRUM ASSY, Aileron differential, aft (18355)	1	
	116500-86020	. . . BUSHING, Steel (press to fit) (ATTACHING PARTS)	1	
	MS20364-1032	. . . NUT	2	
	AN975-3	. . . WASHER	2	
-30	AN386-1-18A	. . . PIN -----*-----	1	
-31	1128834	. . . STRIP, Aileron diff, drum control lock, LH (18355) (ATTACHING PARTS)	1	
-32	AN507-832-8	. . . SCREW -----*-----	2	
-33	1128834-1	. . . STRIP, Aileron diff, drum control lock, RH (18355) (ATTACHING PARTS)	1	
-34	AN507-832-6	. . . SCREW -----*-----	2	
-35	4207238	. . . GUARD ASSY, Aileron forward drum (18355) (ATTACHING PARTS)	1	
	A1778-8Z1	. . . NUT (78553)	4	
-36	AN530-8-10	. . . SCREW -----*-----	4	
-37	4207239	. . . BRACKET ASSY, Aileron forward drum guard support (18355) (ATTACHING PARTS)	1	
-38	AN3-6A	. . . BOLT	3	
	AN970-3	. . . WASHER -----*-----	3	
-39	1151019	. . . PLATE, Aileron torque tube, fwd bearing retainer (18355)	1	
	1151018	. . . HOUSING ASSY, Aileron torque tube, fwd bearing (18355) (ATTACHING PARTS)	1	
	MS20365-1032	. . . NUT	4	
	AN960D10	. . . WASHER	4	
-40	AN3-5A	. . . BOLT -----*-----	4	
-41	1151018-2	. . . HOUSING (18355)	1	
-42	AN201K8A	. . . BEARING	1	
-43	5150287	. . . BRACKET ASSY, Aileron torque tube, aft support (18355) (ATTACHING PARTS)	1	
	MS20365-1032	. . . NUT	4	
	AN960D10	. . . WASHER	4	
-44	AN3-5A	. . . BOLT -----*-----	4	
-45	5150288	. . . SUPPORT ASSY, Aileron torque tube, aft bearing control lock (18355)	1	
-46	AN201K8A	. . . BEARING	1	
-47	1143173	. . . BUSHING ASSY, Aileron torque tube, aft bearing control lock (18355)	1	
-48	S504	. . . BEARING (70417)	1	
-49	4151138	. . . GUARD, Aileron torque tube, aft drum (18355) (ATTACHING PARTS)	1	
-50	AN3-3A	. . . BOLT -----*-----	4	
-51	1151024	. . . PIN, Aileron control lock (18355)	1	
-52	1151023	. . . SPRING, Aileron control lock, engaging (18355)	1	
-53	1125982	. . . SPRING, Control surface lock, compression (18355)	1	
-54	1151022	. . . CRANK, Aileron control lock pin, driving (18355)	1	
-55	1151025	. . . BUSHING, Aileron control lock pin, driving (18355)	1	

Section II
Group Assembly Parts List

T.O. 1B-26K-4

FIG. AND INDEX NO.	PART NUMBER	DESCRIPTION							UNITS PER ASSY	USABLE ON CODE
		1	2	3	4	5	6	7		
65-		(ATTACHING PARTS)								
-56	MS20392-41 AN960D10	1	
		1	
		-----*-----								
-57	146229-302	1	
-58	AN486-3	2	
		(ATTACHING PARTS)								
	AN316-4R	2	
-59	MS20392-17 AN960-10L	2	
		2	
		-----*-----								
	2150834	1	
		(ATTACHING PARTS)								
	AN320-5	1	
	AN960-516	1	
-60	AN5-23	1	
		-----*-----								
-61	2150834-2	1	
-62	A403-6	1	
-63	2208752	1	
		(ATTACHING PARTS)								
-64	MS20365-1032	1	
-65	AN960D10	1	
		-----*-----								
-66	AN210-6A	2	
		(ATTACHING PARTS)								
	AN320-6	2	
-67	NAS43DD6-62	1	
-68	NAS43DD6-24	1	
-69	NAS43DD6-14	1	
-70	AN26-36	2	
		-----*-----								
-71	143358-129	2	
-72	NAS427K22	2	
-73	2150835	1	
-74	AN210-2A	2	
		(ATTACHING PARTS)								
	AN320-3	1	
	AN960D10	1	
-75	AN23-18	1	
		-----*-----								

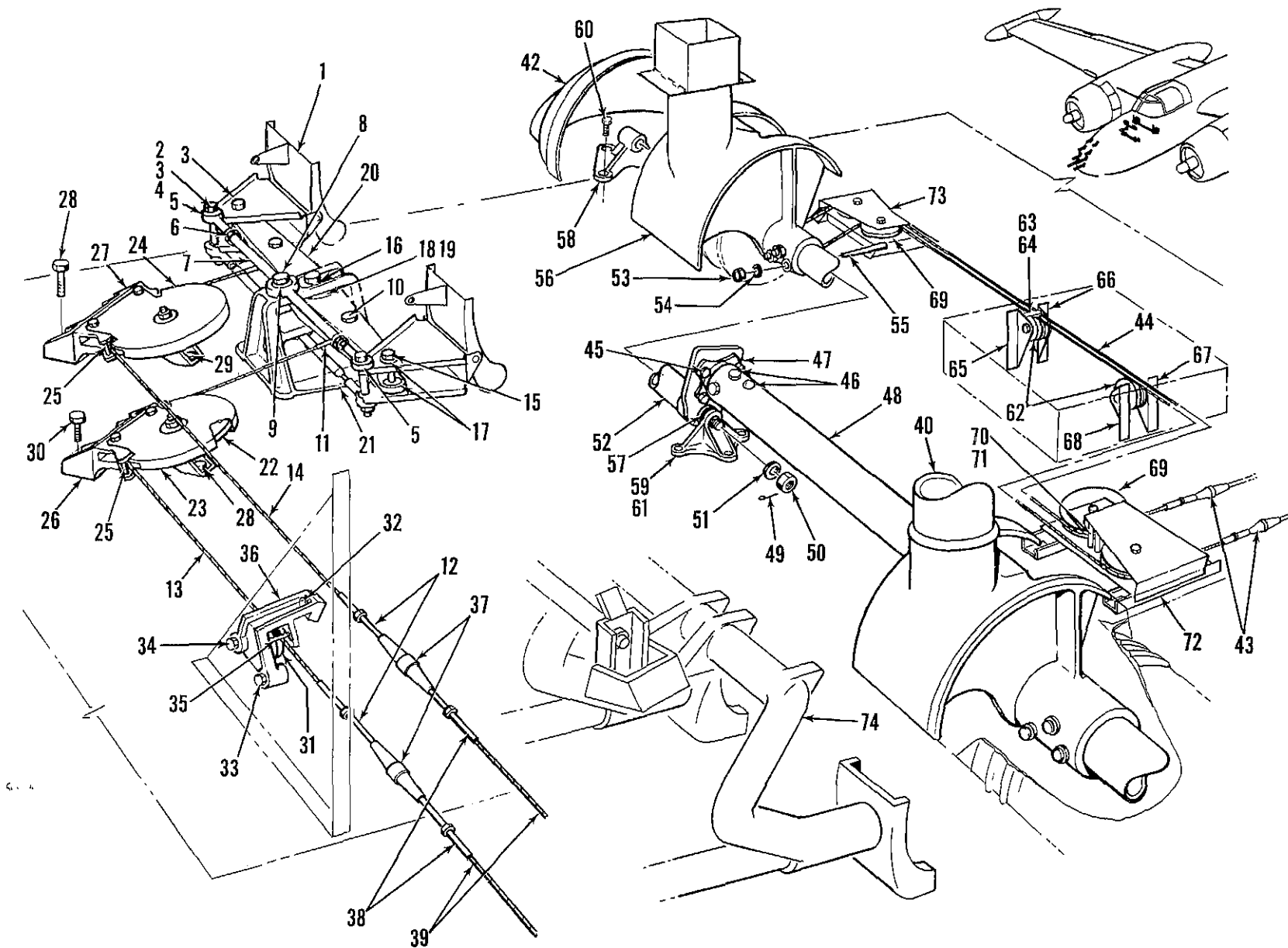


Figure 66. Dual Controls Installation

Section II
Group Assembly Parts List

T.O. 1B-26K-4

FIG. AND INDEX NO.	PART NUMBER	DESCRIPTION	UNITS PER ASSY	USABLE ON CODE
66-	26-9239	DUAL CONTROLS INSTL (for NHA see fig. 64)	REF	
-1	26-9243	. BRAKE MECHANISM INSTL, Co-pilot's (for details see fig. 68)	NP	
-2	MS24665-2-4	. PIN	2	
-3	AN320-4	. NUT	2	
	AN960-416L	. WASHER	4	
-4	AN4-45	. BOLT	2	
-5	RE4F5	. ROD END (86174)	4	
-6	AN316-5R	. NUT	4	
-7	26-9205-1	. ROD ASSY, Pilot's rudder pedal	2	
		(ATTACHING PARTS)		
	MS24665-2-4	. PIN	1	
	AN320-5	. NUT	1	
	AN960D516L	. WASHER	2	
-8	AN5-45	. BOLT	1	
		-----*-----		
-9	AN200KS5	. . BEARING	1	
	26-9226-8	. CABLE ASSY, Co-pilot's rudder control	1	
	26-9226-10	. CABLE ASSY, Co-pilot's rudder control	1	
		(ATTACHING PARTS)		
	MS24665-2-4	. PIN	2	
	AN320-4	. NUT	2	
	AN960D416L	. WASHER	4	
-10	AN24-21	. BOLT	2	
		-----*-----		
-11	2031138-4	. . BEARING, Cable end (18355)	1	
-12	AN669S5RH	. . TERMINAL	1	
-13	26-9226-9	. . CABLE, 5/32 dia (used on 26-9226-8)	1	
-14	26-9226-11	. . CABLE, 5/32 dia (used on 26-9226-10)	1	
	26-9210-1	. ARM ASSY, Dual control rudder pedal	1	
		(ATTACHING PARTS)		
	MS24665-2-4	. PIN	3	
	AN320-4	. NUT	2	
	AN960D416L	. WASHER	4	
-15	AN24-36	. BOLT	2	
	AN320-5	. NUT	1	
	AN960D516L	. WASHER	2	
-16	AN25-54	. BOLT	1	
		-----*-----		
-17	AN201K4A	. . BEARING	4	
-18	AN201K3A	. . BEARING	2	
-19	26-9228	. . SPACER	1	
-20	26-9210-2	. . ARM	1	
-21	26-9216-1	. SUPPORT, Dual control rudder bar	1	
		(ATTACHING PARTS)		
	MS20365-428	. NUT	4	
	AN960D416L	. WASHER	8	
	AN4-7A	. BOLT	4	
		-----*-----		
-22	AN210-6A	. PULLEY	2	
		(ATTACHING PARTS)		
	MS24665-3-5	. PIN	2	
	AN320-6	. NUT	2	
	AN960D616L	. WASHER	2	
	AN26-25	. BOLT	4	
		-----*-----		
-23	26-9239-19	. GUARD, Pulley	1	
-24	26-9239-21	. GUARD, Pulley	1	
		(ATTACHING PARTS FOR INDEX 23 AND 24)		
	MS20364-1032	. NUT	4	
	AN960-10	. WASHER	8	
	AN3-5A	. BOLT	4	
		-----*-----		
-25	143358-110A	. PIN	4	
-26	26-9218-1	. BRACKET, Dual rudder control sta 15 pulley	1	
-27	26-9219-1	. BRACKET, Dual rudder control sta 16 pulley	1	
		(ATTACHING PARTS)		
	MS20365-428	. NUT	6	
	AN960-416L	. WASHER	12	
-28	AN4-7A	. BOLT	3	
-29	AN4-10A	. BOLT	2	
-30	AN4-11A	. BOLT	1	
		-----*-----		

FIG. AND INDEX NO.	PART NUMBER	DESCRIPTION	UNITS PER ASSY	USABLE ON CODE
66-31	AN210-3A	. PULLEY (ATTACHING PARTS)	1	
	MS24665-2-4	. PIN	1	
	AN320-4	. NUT	1	
	AN960-416L	. WASHER	2	
	AN24-28	. BOLT	1	
		-----*		
	26-8401-2	. BRACKET ASSY, Dual controls rudder idler pulley (ATTACHING PARTS)	1	
	MS20365-428	. NUT	3	
	AN960-416L	. WASHER	6	
-32	AN4-12A	. BOLT	1	
-33	AN4-14A	. BOLT	1	
-34	AN4-15A	. BOLT	1	
		-----*		
-35	146142-187-104	. PIN (18355)	1	
-36	26-8401-3	. BRACKET	1	
-37	AN155-32S	. BARREL	2	
	26-9226-4	. CABLE ASSY, Co-pilot's rudder control	1	
-38	AN669S5LH	. TERMINAL	2	
-39	26-9226-5	. CABLE, 5/32 dia	1	
-40	26-9239-83	. CONTROL COLUMN INSTL, Pilot's (for details see fig. 69)	1	
-41	26-9215-1	. COVER ASSY, Control column torque tube, LH	1	
-42	26-9215-2	. COVER ASSY, Control column torque tube, RH	1	
	26-9226-6	. CABLE ASSY, Co-pilot's aileron control	1	
-43	AN669S5LH	. TERMINAL	2	
-44	26-9226-3	. CABLE	1	
	26-9231-2	. TUBE ASSY, Dual controls connecting (ATTACHING PARTS)	1	
	MS20365-428	. NUT	8	
	AN960-416L	. WASHER	16	
-45	AN4-12A	. BOLT	8	
		-----*		
	MS20364-1032	. NUT	6	
	AN975-3	. WASHER	6	
-46	AN386-2-17A	. PIN	6	
-47	26-9231-3	. DISCONNECT	2	
-48	26-9231-4	. TUBE	1	
-49	MS24665-2-3	. PIN	1	
-50	AN320-6	. NUT	1	
-51	AN960D616L	. WASHER	1	
-52	26-9230-2	. SHAFT ASSY, Dual control column disconnect (ATTACHING PARTS, METHOD I) (SEE ALT METHOD II)	1	
-53	MS20364-524	. NUT	3	
-54	AN975-5	. WASHER	3	
-55	AN386-4-22A	. PIN (ATTACHING PARTS, METHOD II) (SEE ALT METHOD I)	3	
	MS24665-3-4	. PIN	3	
	AN320-8	. NUT	3	
	AN960D816L	. WASHER	6	
	AN28-48	. BOLT	3	
		-----*		
-56	26-9238-1	. CONTROL COLUMN INSTL, Co-pilot's quick disconnect (for details see fig. 70) (ATTACHING PARTS)	1	
	MS24665-3-5	. PIN	1	
	AN320-6	. NUT	1	
	AN960D616L	. WASHER	1	
	AN26-34	. BOLT	1	
		-----*		
-57	AN201K6A	. BEARING	1	
-58	26-9206	. SUPPORT, Dual controls outbd bearing	1	
-59	26-9207	. SUPPORT, Dual controls inbd bearing (ATTACHING PARTS FOR INDEX 58 AND 59)	1	
	MS20365-1032	. NUT	6	
	AN960-10L	. WASHER	12	
-60	AN3-10A	. BOLT (Used with 26-9206)	3	
-61	AN3-7A	. BOLT (Used with 26-9207)	3	
		-----*		

Section II
Group Assembly Parts List

T.O. 1B-26K-4

FIG. AND INDEX NO.	PART NUMBER	DESCRIPTION	UNITS PER ASSY	USABLE ON CODE
66-62	AN210-3B	. PULLEY (ATTACHING PARTS)	4	
	MS24665-2-2	. PIN	2	
	AN320-5	. NUT	2	
	AN960-516L	. WASHER	4	
	AN5-20	. BOLT -----*-----	2	
-63	MS24665-2-2	. PIN	4	
-64	AN392-21	. PIN	4	
-65	26-1054-1	. BRACKET, Aileron pulley, fwd tunnel	1	
-66	26-1054-2	. BRACKET, Aileron pulley, fwd tunnel	1	
-67	26-1054-3	. BRACKET, Aileron pulley, fwd tunnel	1	
-68	26-1054-4	. BRACKET, Aileron pulley, fwd tunnel (ATTACHING PARTS)	1	
	MS20365-1032	. NUT	12	
	AN960-10L	. WASHER	24	
	AN3-5A	. BOLT -----*-----	12	
-69	AN210-4B	. PULLEY (ATTACHING PARTS)	4	
	MS24665-2-2	. PIN	4	
	AN320-5	. NUT	4	
	AN960-516L	. WASHER	8	
	AN5-12	. BOLT -----*-----	4	
-70	MS24665-2-2	. PIN	4	
-71	AN392-25	. PIN	4	
-72	26-9259	. BRACKET, Pilot's aileron pulley	1	
-73	26-9236	. BRACKET, Co-pilot's aileron pulley (ATTACHING PARTS FOR INDEX 67 AND 68)	1	
	MS20365-1032	. NUT	8	
	AN960-10	. WASHER	16	
	AN3-5A	. BOLT -----*-----	8	
-74	26-9239-85	. RUDDER PEDAL AND BRAKE INSTL, Pilot's (for details see fig. 67)	NP	

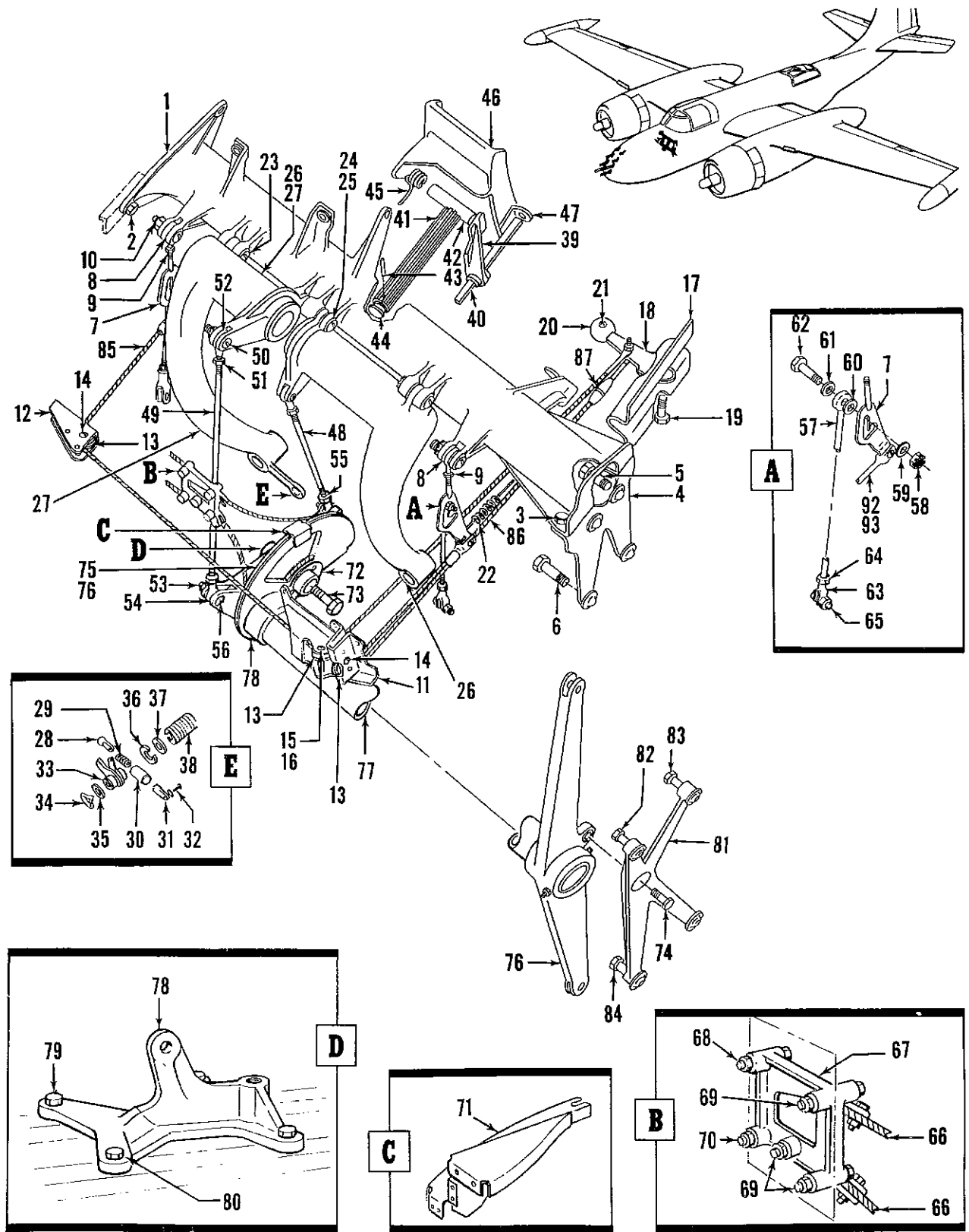


Figure 67. Pilot's Rudder Pedal and Brake Installation

Section II
Group Assembly Parts List

T.O. 1B-26K-4

FIG. AND INDEX NO.	PART NUMBER	DESCRIPTION	UNITS PER ASSY	USABLE ON CODE
67-	26-9239-85	RUDDER PEDAL AND BRAKE INSTL, Pilot's (altered from 5153219 (18355)) (for NHA see fig. 66)	REF	
-1	5205203	. TUBE, Pilot's rudder pedal support (18355) (ATTACHING PARTS)	1	
	MS20365-428	. NUT	2	
	AN960D416	. WASHER	6	
-2	AN4-7A	. BOLT	2	
-3	AN3-6A	. BOLT	2	
		-----*-----		
-4	4123627	. FITTING, Pilot's rudder pedal tube (18355) (ATTACHING PARTS)	1	
-5	AN3-7A	. BOLT	2	
-6	AN3-10A	. BOLT	2	
	AN960D10	. WASHER	4	
		-----*-----		
-7	2123274	. PLATE, Parking brake stop (18355)	2	
-8	REB3N2	. END, Rod (86174)	2	
-9	AN316-5R	. NUT (ATTACHING PARTS)	2	
	AN320-3	. NUT	2	
	AN960D10	. WASHER	2	
-10	AN23-23	. BOLT	2	
		-----*-----		
-11	5193058	. BRACKET ASSY, Parking brake cable (18355)	1	
-12	2155169	. BRACKET ASSY, Parking brake pulley, RH (18355)	1	
-13	AN210-1A	. PULLEY (ATTACHING PARTS)	3	
	AN320-3	. NUT	3	
	AN960-10	. WASHER	3	
-14	AN23-10	. BOLT	2	
-15	AN23-31	. BOLT	1	
		-----*-----		
-16	NAS43DD3-210	. SPACER	1	
	4192888	. BRACKET ASSY, Parking brake lever (18355)	1	
-17	4192888-2	. BRACKET, Parking brake lever (18355)	1	
-18	1192363	. LEVER ASSY, Parking brake cable (18355) (ATTACHING PARTS)	1	
	AN320-3	. NUT	1	
	AN960D10	. WASHER	1	
	2033900-45028-014	. SPACER	1	
-19	AN23-14	. BOLT	1	
		-----*-----		
-20	NAS198B093	. KNOB ASSY (ATTACHING PARTS)	1	
-21	1067507	. SCREW, Special oval head, 10-32 (18355)	1	
		-----*-----		
-22	1122871	. SPRING, Parking brake release (18355)	1	
	5209070	. PEDAL ASSY, Pilot's rudder and brake LH (18355)	1	
	5209070-1	. PEDAL ASSY, Pilot's rudder and brake RH (18355) (ATTACHING PARTS)	1	
	AN310-4	. NUT	3	
	AN960D416	. WASHER	3	
-23	AN4-16	. BOLT	2	
-24	AN4-31	. BOLT	1	
-25	143908-009R104-034	. WASHER	4	
		-----*-----		
-26	5205196	. ARM ASSY, Rudder pedal, LH (18355)	1	
-27	5205197	. ARM ASSY, Rudder pedal, RH (18355)	1	
	AN200KS3	. BEARING	2	
-28	1024895	. PIN, Rudder pedal lock (18355)	1	
-29	1024892	. SPRING, Rudder pedal lock (18355)	1	
-30	1024891	. GUIDE, Rudder pedal lock release (18355)	1	
-31	1125431	. CLEVIS, Rudder pedal adjustment (18355) (ATTACHING PARTS)	1	
		-----*-----		
-32	MS20392-9	. PIN	1	
	AN960C6	. WASHER	1	
		-----*-----		

FIG. AND INDEX NO.	PART NUMBER	DESCRIPTION	UNITS PER ASSY	USABLE ON CODE
67-33	2125428	. . ARM, Rudder pedal adjustment (18355)	1	
-34	1225432	. . SPRING, Rudder pedal adjustment lock (18355)	1	
-35	143908-026D102-064	. . WASHER (18355)	1	
-36	1193343	. . SPACER, Rudder pedal and brake, split (18355)	1	
-37	143908-021D106-051	. . WASHER (18355)	1	
-38	1122874	. . SPRING, Rudder pedal adjustment (18355)	1	
-39	2209072	. . LEVER, Rudder pedal adjustment, LH (18355)	1	
	2209072-1	. . LEVER, Rudder pedal adjustment, RH (18355)	1	
-40	2209074	. . BUSHING ASSY, Rudder pedal adjustment (18355)	1	
	2123277	. . SPLINE ASSY, Rudder pedal, LH (18355)	1	
	2123277-1	. . SPLINE ASSY, Rudder pedal, RH (18355)	1	
-41	2123276 SPLINE, Rudder pedal (18355)	1	
-42	2125249 HEAD, Rudder pedal cross (18355)	1	
-43	146142-127-101 PIN (18355)	1	
-44	1125442 STOP, Rudder pedal (18355)	1	
-45	1125430 SPRING, Rudder pedal torque, LH (18355)	1	
	1125430-1 SPRING, Rudder pedal torque, RH (18355)	1	
-46	5123590 REST ASSY, Rudder foot pedal, LH (18355)	1	
	5123590-1 REST ASSY, Rudder foot pedal, RH (18355)	1	
-47	2209073 SUPPORT, Rudder pedal adjustment (18355)	1	
-48	2085485-1028 ROD ASSY, Ball bearing, control (18355)	1	
-49	2085485-1328 ROD ASSY, Ball bearing, control (18355)	1	
		(ATTACHING PARTS)		
	AN320-4 NUT	2	
	AN960D416 WASHER	2	
-50	AN24-23 BOLT	2	
		----*----		
-51	1122861 END ASSY, Rudder pedal control rod (18355)	2	
-52	AN316-5R NUT	2	
-53	RE4F5 END, Rod (86174)	2	
		(ATTACHING PARTS)		
-54	AN316-5R NUT	2	
	AN320-4 NUT	2	
	AN960D416 WASHER	2	
-55	AN24-26 BOLT	1	
-56	AN24-36 BOLT	1	
		----*----		
-57	219192 ROD ASSY, Brake pedal control (18355)	2	
		(ATTACHING PARTS)		
-58	AN320-3 NUT	2	
-59	2033901-6SR187-006 SPACER (18355)	2	
-60	124682-3S10-062 WASHER (18355)	2	
-61	AN960D10 WASHER	2	
-62	AN23-34 BOLT	2	
		----*----		
-63	AN486-3 CLEVIS	2	
		(ATTACHING PARTS)		
-64	AN316-4R NUT	2	
	AN320-3 NUT	2	
	AN960-10 WASHER	2	
-65	AN23-12 BOLT	2	
		----*----		
-66	AN210-4A PULLEY	2	
		(ATTACHING PARTS)		
	MS24665-2-3 PIN	2	
	AN320-4 NUT	2	
	AN960D416L WASHER	2	
	AN24-27 BOLT	2	
		----*----		
-67	26-9209-1 BRACKET ASSY, Sta 10 dual controls rudder pulleys	1	
		(ATTACHING PARTS)		
	MS20365-428 NUT	4	
	AN960-416L WASHER	4	
-68	AN4-21A BOLT	1	
-69	AN4-23A BOLT	2	
-70	AN4-27A BOLT	1	
		----*----		
	146142-187-105 PIN (18355)	2	

Section II
Group Assembly Parts List

T.O. 1B-26K-4

FIG. AND INDEX NO.	PART NUMBER	DESCRIPTION	UNITS PER ASSY	USABLE ON CODE
67-71	26-9239-45	. GUARD, Co-pilot's rudder control cable (ATTACHING PARTS)	1	
	MS20365-1032	. NUT	6	
	AN960-10L	. WASHER	6	
	AN520-10R7	. SCREW	6	
		-----*		
-72	26-9239-53	. RING, Cable retaining (ATTACHING PARTS)	1	
	MS20074-6A	. BOLT	3	
	AN960D416	. WASHER	3	
		-----*		
	26-9239-44	. TORQUE TUBE ASSY, Rudder control (ATTACHING PARTS)	1	
	MS24665-2-4	. PIN	2	
	AN320-4	. NUT	2	
	AN960-416L	. WASHER	2	
-73	AN24-42	. BOLT	1	
-74	AN4-15	. BOLT	1	
		-----*		
-75	26-9211 ARM, Sta 16 dual control torque tube (ATTACHING PARTS)	1	
	MS20365-1032 NUT	2	
	AN975-3 WASHER	2	
	AN386-1-22A PIN	2	
		-----*		
-76	4123630 HORN, Rudder control (18355) (ATTACHING PARTS)	1	
	MS20365-1032 NUT	2	
	AN975-3 WASHER	2	
	AN386-1-20A PIN	2	
		-----*		
-77	26-9214 TORQUE TUBE, Pilot's rudder control	1	
-78	26-9208	. SUPPORT ASSY, Dual rudder control torque tube inboard (ATTACHING PARTS)	1	
	MS20365-428	. NUT	4	
	AN960-416L	. WASHER	4	
-79	AN4-10A	. BOLT	2	
-80	AN4-11A	. BOLT	2	
		-----*		
-81	4123629	. SUPPORT, Rudder control torque tube outboard (18355) (ATTACHING PARTS)	1	
-82	AN3-7A	. BOLT	1	
-83	AN3-10A	. BOLT	2	
-84	AN3-11A	. BOLT	1	
	AN960D10	. WASHER	4	
		-----*		
-85	2074407-8-4-5216	. CABLE ASSY, Parking brake (18355)	1	
-86	2074407-8-4-3524	. CABLE ASSY, Parking brake (18355)	1	
-87	MS21251-16S	. TURNBUCKLE BODY	1	
-88	MS21252-16RS	. CLEVIS (ATTACHING PARTS)	1	
	AN320-3	. NUT	1	
	AN960-10	. WASHER	1	
	AN23-10	. BOLT	1	
		-----*		

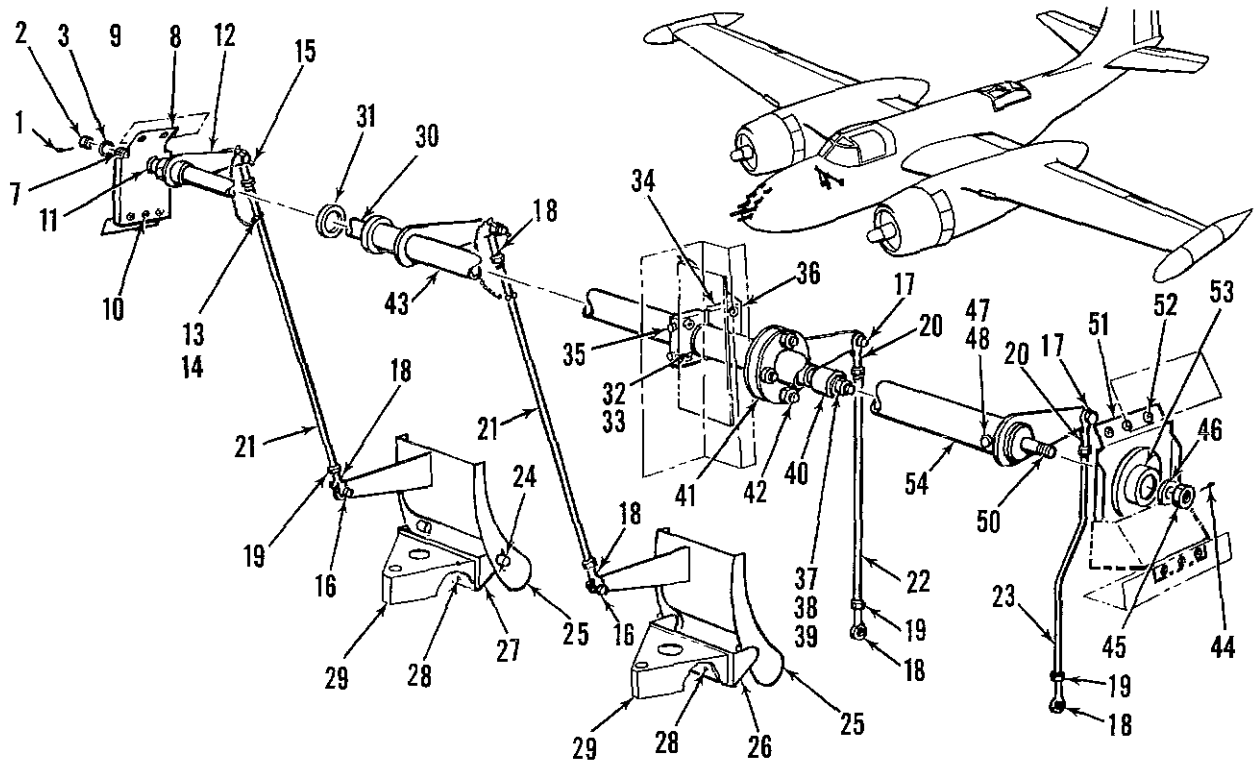


Figure 68. Co-Pilot's Brake Mechanism Installation

FIG. AND INDEX NO.	PART NUMBER	DESCRIPTION	UNITS PER ASSY	USABLE ON CODE
68-	26-9243	BRAKE MECHANISM INSTL, Co-pilot's (for NHA see fig. 66)	REF	
-1	MS24665-2-10	. PIN	1	
-2	AN310-5	. NUT	1	
-3	AN960-516	. WASHER	1	
-4	MS20365-1032	. NUT	1	
-5	AN975-3	. WASHER	1	
-6	AN386-1-8A	. PIN	1	
-7	211	. FITTING	2	
-8	26-9244	. BRACKET ASSY, Co-pilot's brake mechanism (riveted)	1	
		(ATTACHING PARTS)		
	MS20365-1032	. NUT	5	
	AN960D10L	. WASHER	5	
-9	AN509-10R13	. SCREW	2	
-10	NAS221-10	. SCREW	3	
		-----*		
-11	AN200KS5	. BEARING	1	
-12	216	. ARM ASSY	1	
	MS35649-632	. NUT	2	
-13	AN515-6-8	. SCREW	2	
-14	BLS3TA0.7S	. PIN, Ball lock (00502)	2	
	26-9249-2	. ROD ASSY, Co-pilot's brake mechanism	2	
	26-9249-4	. ROD ASSY, Co-pilot's brake mechanism	1	
	26-9249-6	. ROD ASSY, Co-pilot's brake mechanism	1	
		(ATTACHING PARTS)		
	MS24665-2-6	. PIN	6	
	AN310-3	. NUT	6	

Section II
Group Assembly Parts List

T.O. 1B-26K-4

FIG. AND INDEX NO.	PART NUMBER	DESCRIPTION	UNITS PER ASSY	USABLE ON CODE
68-	AN960-10	. WASHER	12	
-15	AN3-10	. BOLT	2	
-16	AN3-13	. BOLT	2	
-17	AN3-6	. BOLT	2	
		-----*		
-18	REB3N3	. . END, Rod (21335) (2 each used on 26-9249-2)	1	
-19	AN316-4R	. . NUT	2	
-20	AN486-4	. . CLEVIS (Used on 26-9249-4 and -6 only)	1	
-21	26-9249-3	. . ROD (Used on 26-9249-2)	1	
-22	26-9249-5	. . ROD (Used on 26-9249-4)	1	
-23	26-9249-7	. . ROD (Used on 26-9249-6)	1	
-24	AN415-2	. . PIN	2	
-25	214	. . REST ASSY, Rudder pedal foot	2	
-26	26-9248-1	. . BRACKET ASSY, Co-pilot's brake mechanism, LH	1	
-27	26-9248-2	. . BRACKET ASSY, Co-pilot's brake mechanism, RH	1	
		(ATTACHING PARTS)		
	MS20365-1032	. . NUT	6	
	AN960-10	. . WASHER	12	
-28	NAS221-11	. . SCREW	6	
		-----*		
-29	26-9502-1	. . PEDAL ASSY, Co-pilot's rudder	2	
-30	26-9245	. . TORQUE TUBE ASSY, Co-pilot's brake mechanism	1	
-31	B540	. . BEARING, Ball, annular (86174)	1	
-32	B542	. . BEARING, Ball, annular (86174)	1	
-33	221	. . BUSHING	1	
-34	213	. . BLOCK	2	
		(ATTACHING PARTS)		
	MS20365-1032	. . NUT	6	
	AN960D10	. . WASHER	6	
-35	AN3-31A	. . BOLT	2	
-36	NAS221-14	. . SCREW	4	
		-----*		
-37	MS24665-2-10	. . PIN	1	
-38	AN310-5	. . NUT	1	
-39	224	. . WASHER	1	
-40	AR8	. . BEARING, Roller (60380)	1	
-41	217	. . SPACER	1	
		(ATTACHING PARTS)		
	MS20365-1032	. . NUT	3	
-42	NAS221-17	. . SCREW	3	
		-----*		
-43	219	. . TORQUE TUBE ASSY	1	
-44	MS24665-2-10	. . PIN	1	
-45	MS20365-524	. . NUT	1	
-46	AN960-516	. . WASHER	1	
-47	MS20365-1032	. . NUT	1	
-48	AN975-3	. . WASHER	1	
-49	AN386-1-9A	. . PIN	1	
-50	223	. . FITTING	1	
		(ATTACHING PARTS)		
-51	26-9247	. . BRACKET ASSY, Co-pilot's brake mechanism	1	
-52	AN509-10R10	. . SCREW	3	
		-----*		
-53	AN200KS5	. . BEARING	1	
-54	26-9246	. . TORQUE TUBE ASSY, Co-pilot's brake mechanism	1	

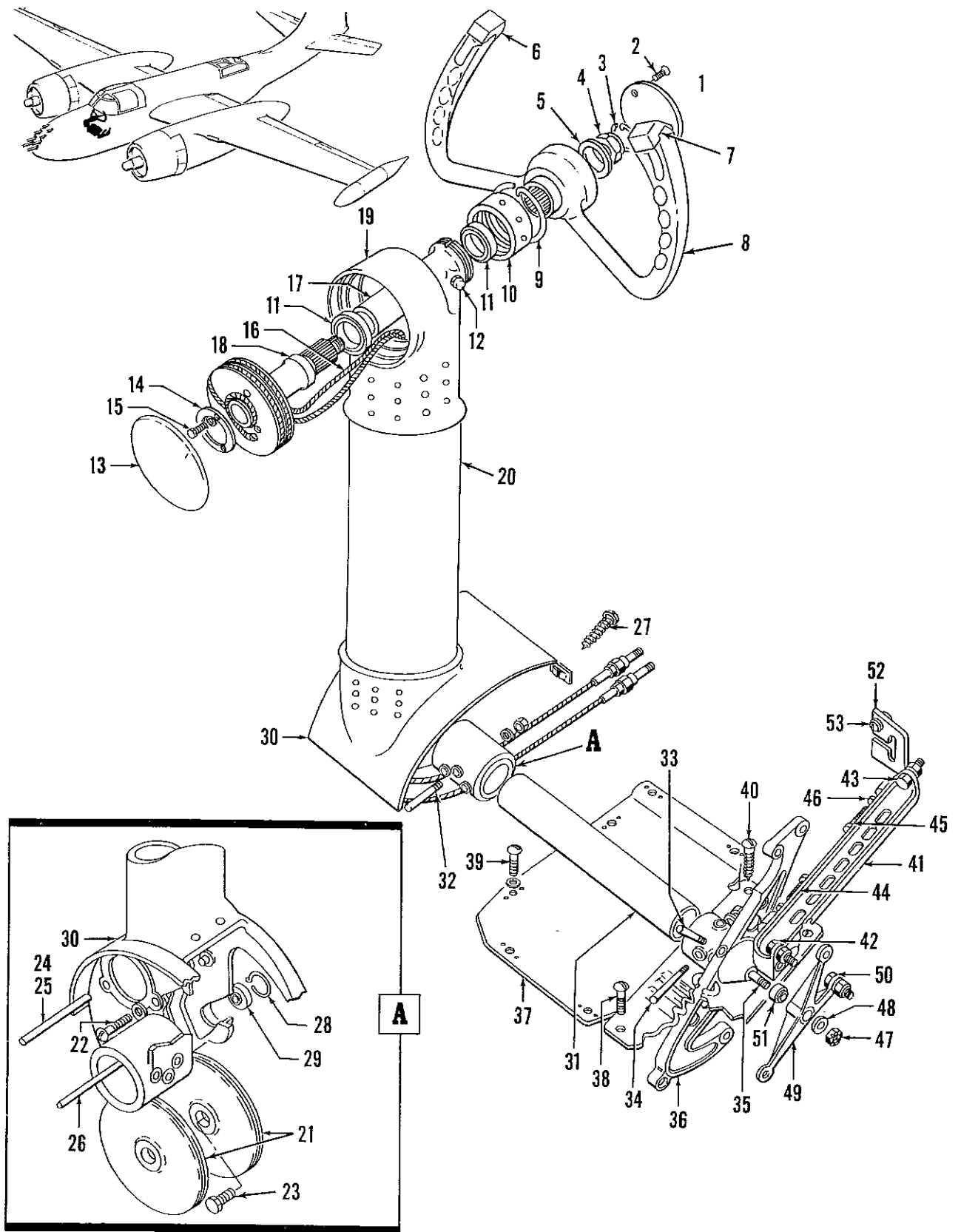


Figure 69. Pilot's Control Column Installation

Section II
Group Assembly Parts List

T.O. 1B-26K-4

FIG. AND INDEX NO.	PART NUMBER	DESCRIPTION 1 2 3 4 5 6 7	UNITS PER ASSY	USABLE ON CODE
69-	26-9239-83	CONTROL COLUMN INSTL, Pilot's (altered from 5122215 (18355)) (for NHA see fig. 66)	REF	
-1	26-9239-87 26-9239-66	. . . CONTROL COLUMN ASSY, Pilot's (altered from 5122217 (18355)) COVER, Control column wheel hub (ATTACHING PARTS)	1 1	
-2	AN507-632R8	. . . SCREW -----*	2	
	26-9271-1	. . . CONTROL WHEEL ASSY, Pilot's (ATTACHING PARTS)	1	
-3	AN996-16	. . . RING	1	
-4	1127658	. . . NUT, Pilot's control wheel attaching (18355)	1	
-5	AN960D1416	. . . WASHER -----*	1	
-6	26-2639-7	. . . SWITCH HOUSING, Pilot's control wheel	1	
-7	26-2639-9	. . . SWITCH HOUSING, Pilot's control wheel (ATTACHING PARTS)	1	
	AN507-832R8	. . . SCREW -----*	4	
-8	QW104	. . . WHEEL, Control (A.R. Hardware, Glendale, Calif.)	1	
-9	AN996-32	. . . RING	1	
-10	2152266	. . . CAP, Control column head, bearing retaining (18355)	1	
-11	A541	. . . BEARING, Ball, extra light duty (86174)	2	
-12	NAS2-101A	. . . FITTING	1	
-13	1191787	. . . COVER, Control column head (18355)	1	
-14	1125495	. . . RING, Control column head cable locking (18355) (ATTACHING PARTS)	1	
-15	MS20074-6A AN960D416	. . . BOLT WASHER -----*	3 3	
-16	26-9226-2	. . . CABLE ASSY	1	
-17	1125494	. . . SPACER, Control column head bearing (18355)	1	
-18	4123757	. . . SHAFT, Control column head aileron pulley (18355)	1	
-19	5125422	. . . HEAD, Control column (18355)	1	
-20	4123758	. . . POST ASSY, Control column (18355)	1	
-21	AN210-5A	. . . PULLEY (ATTACHING PARTS)	2	
	MS24665-3-3	. . . PIN	2	
	AN320-6	. . . NUT	2	
	AN960D616	. . . WASHER	2	
-22	AN26-27	. . . BOLT	2	
-23	AN26-29	. . . BOLT -----*	2	
-24	MS24665-2-2	. . . PIN	1	
-25	143358-500	. . . PIN (18355)	1	
-26	1127651	. . . PIN, Control column aileron pulley guard (18355)	1	
	26-9239-65	. . . TORQUE TUBE ASSY	1	
	26-9217-1	. . . HOUSING ASSY, Control column pivot (ATTACHING PARTS)	1	
	A1778-8Z1	. . . NUT, Speed (78553)	4	
-27	AN530-8-8	. . . SCREW -----*	4	
-28	2130661-029	. . . RING, Internal lock (18355)	1	
-29	AN201K6A	. . . BEARING	1	
-30	26-9217-2	. . . HOUSING	1	
-31	26-9232	. . . TUBE, Torque (ATTACHING PARTS)	1	
	MS20364-524	. . . NUT	3	
	AN975-5	. . . WASHER	3	
-32	AN386-4-26A	. . . PIN	3	
	MS20364-428	. . . NUT	3	
	AN975-4	. . . WASHER	3	
-33	AN386-3-20A	. . . PIN	1	
-34	AN386-3-22A	. . . PIN -----*	2	
	5125655	. . . HORN ASSY, Control column elevator (18355)	1	
-35	1125925	. . . STUD, Bearing attaching, outed (18355)	1	
-36	5125655-2	. . . HORN (18355)	1	

FIG. AND INDEX NO.	PART NUMBER	DESCRIPTION	UNITS PER ASSY	USABLE ON CODE
69-37	5154698	. . SEAL ASSY, Cockpit elevator horn (18355) (ATTACHING PARTS)	1	
	A1881-8Z	. . NUT, Speed (78553)	5	
-38	AN515-8-8	. . SCREW	2	
-39	AN515-8-10	. . SCREW	3	
-40	AN530-8-10	. . SCREW	5	
		-----*		
-41	4123776	. . STOP, Control column elevator horn (18355) (ATTACHING PARTS)	1	
	MS20365-1032	. . NUT	5	
	AN960D10	. . WASHER	5	
-42	AN3-5A	. . BOLT	3	
-43	AN3-6A	. . BOLT	2	
		-----*		
-44	110242-5-17H	. . BOLT, Special, full thread (18355)	1	
-45	110242-5-15H	. . BOLT, Special, full thread (18355)	1	
-46	AN316-5R	. . NUT	2	
-47	AN320-6	. . NUT	1	
-48	AN960-616	. . WASHER	1	
-49	4123795	. . SUPPORT, Control column bearing, outbd (18355) (ATTACHING PARTS)	1	
	MS20365-428	. . NUT	3	
	AN960D416	. . WASHER	3	
-50	AN4-10A	. . BOLT	3	
		-----*		
-51	AN201K6A	. . BEARING	1	
-52	1127644	. . FAIRLEAD, Flight control (18355) (ATTACHING PARTS)	1	
-53	A1778-8Z1	. . NUT, Speed (78553)	2	
	AN960D8	. . WASHER	2	
	AN530-8-10	. . SCREW	2	
		-----*		

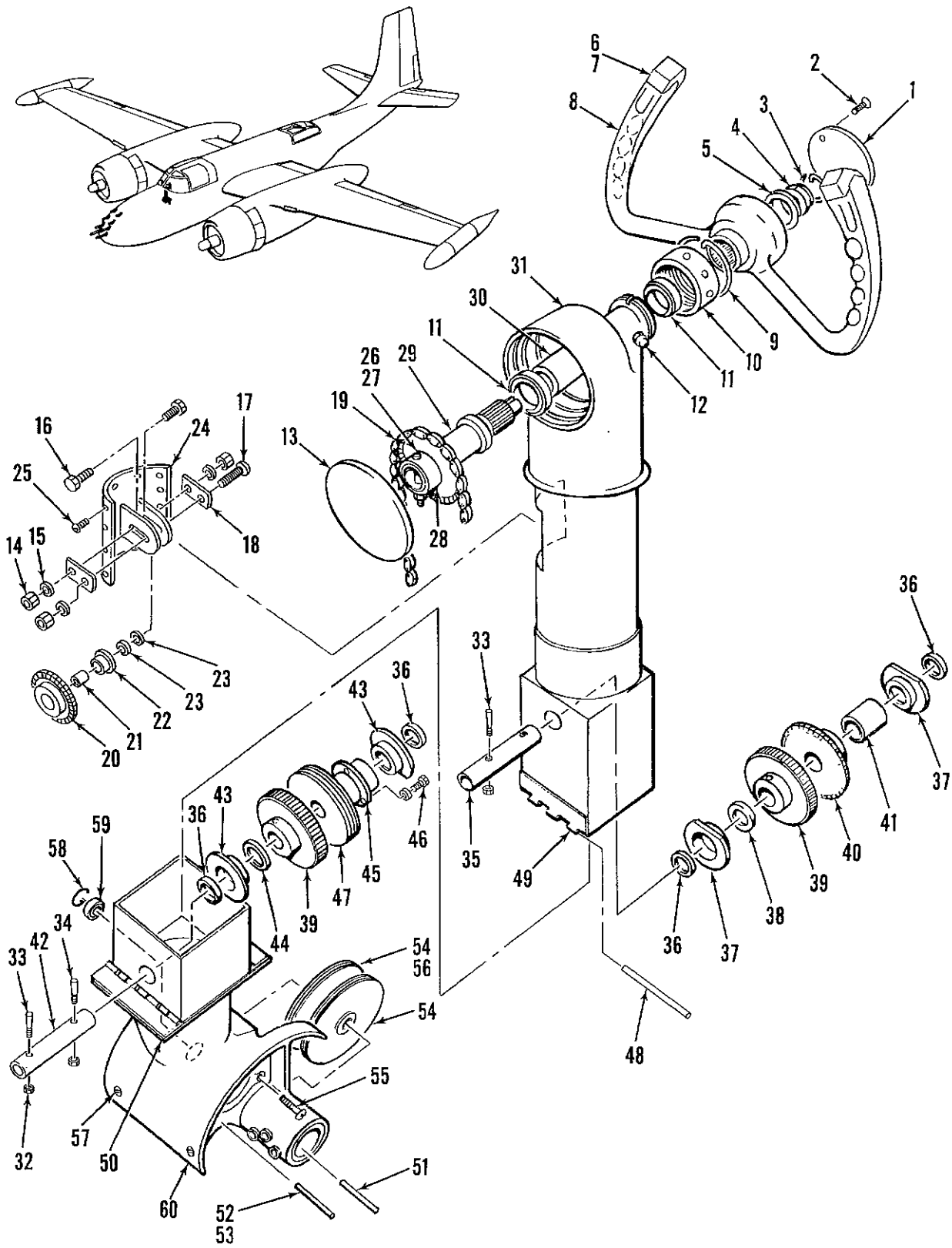


Figure 70. Co-Pilot's Quick Disconnect Control Column Installation

FIG. AND INDEX NO.	PART NUMBER	DESCRIPTION	UNITS PER ASSY	USABLE ON CODE
70-	26-9238-1	CONTROL COLUMN INSTL, Quick disconnect, co-pilot's (for NHA see fig. 66)	REF	
	26-9238-6	. CONTROL COLUMN ASSY, Co-pilot's (altered from 5122217 (18355))	1	
-1	26-9239-66	. COVER, Control column wheel hub (ATTACHING PARTS)	1	
-2	AN507-632R8	. SCREW -----*	2	
	26-9271-3	. CONTROL WHEEL ASSY, Co-pilot's (ATTACHING PARTS)	1	
-3	AN996-16	. RING	1	
-4	1127658	. NUT	1	
-5	AN960D1416	. WASHER -----*	1	
-6	QX451 NUT (A.R. Hardware, Glendale, Calif.)	2	
-7	QX395 PLUG (A.R. Hardware, Glendale, Calif.) (ATTACHING PARTS)	2	
	AN507-832R8 SCREW -----*	4	
-8	QW104 WHEEL, Control (A.R. Hardware, Glendale, Calif.)	1	
-9	AN996-32	. RING	1	
-10	2152666	. CAP, Control column head, bearing retaining (18355)	1	
-11	A541	. BEARING, Ball, extra light duty (86174)	2	
-12	NAS2-101A	. FITTING	1	
-13	1191787	. COVER, Control column head (18355)	1	
-14	MS20365-1032	. NUT	3	
-15	AN960-10	. WASHER	3	
-16	AN3-4A	. BOLT	2	
-17	NAS221-18	. SCREW	1	
-18	26-9238-5	. LOCK	2	
-19	NO. 35	. CHAIN, Cable, plate link (71041)	1	
-20	26-9240-7	. SPROCKET (Altered from KSA12 (71041))	1	
-21	NAS537-3-50	. BUSHING	1	
-22	26-9240-11	. BEARING, Sleeve (altered from FB58-4 (71041))	1	
-23	AN960-10L	. WASHER (Used as shim)	AR	
-24	26-9237-2	. BRACKET ASSY (Welded) (ATTACHING PARTS)	1	
-25	NAS220-7	. SCREW -----*	12	
-26	MS20365-1032	. NUT	1	
-27	AN386-1-12	. PIN	1	
-28	26-9240-8	. SPROCKET (Altered from KSA23 (71041))	1	
-29	26-9525-1	. SHAFT, Control column head, aileron	1	
-30	1125494	. SPACER, Control column head bearing (18355)	1	
-31	5125422	. HEAD, Control column (18355)	1	
-32	MS20365-1032	. NUT	4	
-33	AN386-1-10	. PIN	3	
-34	AN386-1-8	. PIN	1	
-35	26-9240-10	. SHAFT	1	
-36	B539	. BEARING, Ball (86174)	4	
-37	26-9240-3	. HOUSING, Bearing	2	
-38	26-9238-3	. SPACER, Sleeve	1	
-39	26-9258-1	. GEAR, Spur	2	
-40	26-9240-6	. SPROCKET (Altered from KSA23 (71041))	1	
-41	26-9238-4	. SPACER, Sleeve	1	
-42	26-9240-9	. SHAFT	1	
-43	26-9240-2	. HOUSING, Bearing	2	
-44	26-9238-2	. SPACER, Sleeve	1	
-45	26-9239-53	. RING, Retaining (ATTACHING PARTS)	1	
-46	AN74A-6	. BOLT	3	
	AN960D1416	. WASHER -----*	3	
-47	26-9240-4	. SHAFT, Pulley (Altered from 4123757 (18355))	1	
-48	AN253-3-12	. PIN	2	
-49	AN257YC4	. HINGE, Half, 3.7 long	2	
-50	AN257XC4	. HINCE, Half, 3.9 long	2	

Section II
Group Assembly Parts List

T.O. 1B-26K-4

FIG. AND INDEX NO.	PART NUMBER	DESCRIPTION	UNITS PER ASSY	USABLE ON CODE
70-51	1127651	. . PIN, Control column aileron pulley (18355)	1	
-52	MS24665-2-2	. . PIN	1	
-53	143358-500	. . PIN (18355)	1	
-54	AN210-5A	. . PULLEY	2	
		(ATTACHING PARTS)		
	MS24665-3-3	. . PIN	2	
	AN320-6	. . NUT	2	
	AN960D616	. . WASHER	2	
-55	AN26-27	. . BOLT	1	
-56	AN26-29	. . BOLT	1	
		-----*		
	5125642	. . HOUSING ASSY, Control column pivot (18355)	1	
		(ATTACHING PARTS)		
	A1778-8Z1	. . NUT, Speed (78553)	4	
-57	AN530-8-8	. . SCREW	4	
		-----*		
-58	2130661-029	. . . RING, Internal lock (18355)	1	
-59	AN201K6A	. . . BEARING	1	
-60	5125642-2	. . . HOUSING, Control column pivot (18355)	1	

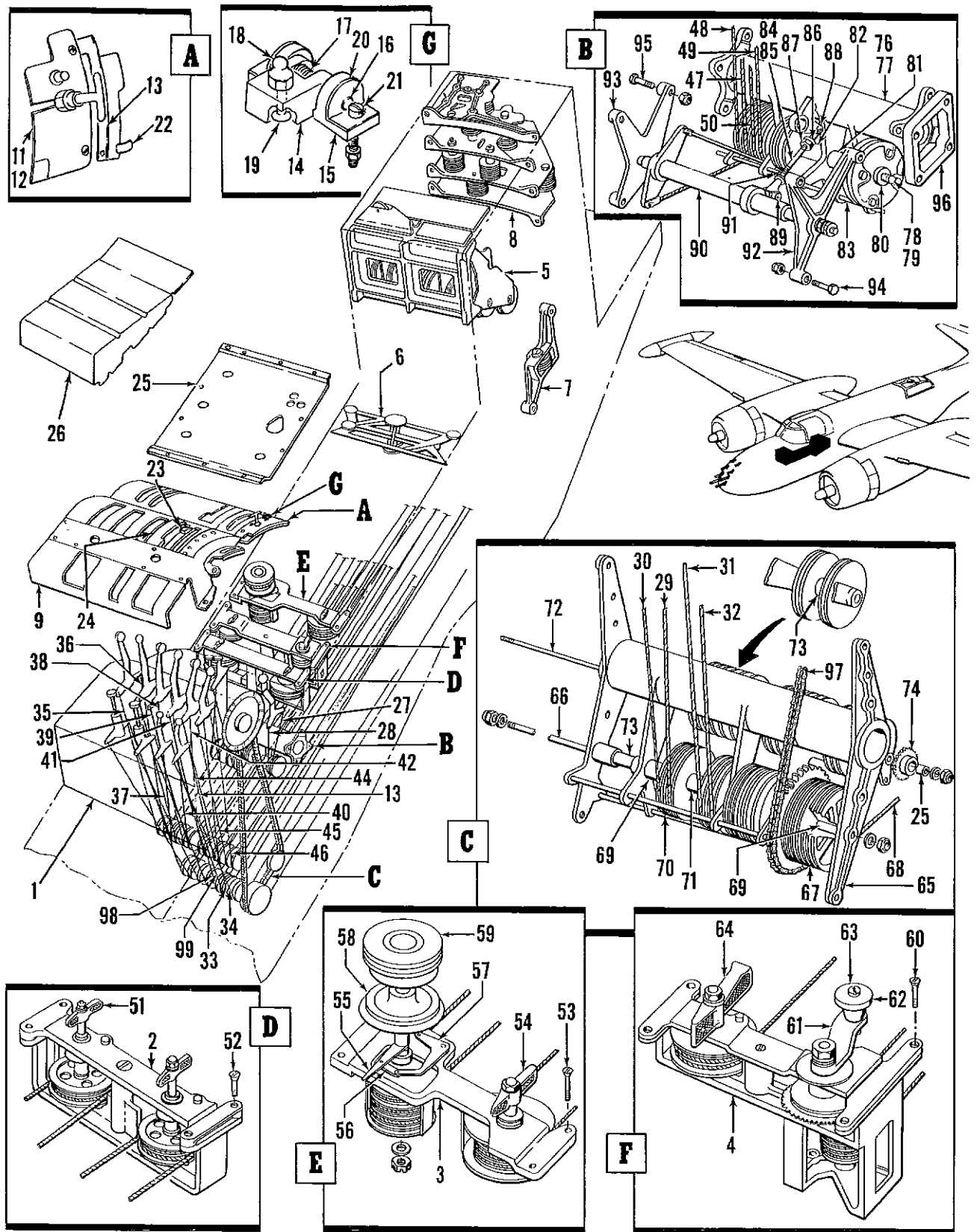


Figure 71. Control Pedestal Installation

Section II
Group Assembly Parts List

T.O. 1B-26K-4

FIG. AND INDEX NO.	PART NUMBER	DESCRIPTION 1 2 3 4 5 6 7	UNITS PER ASSY	USABLE ON CODE
71-	26-9201-1	PEDESTAL CONTROL INSTL (altered from 5153223 (18355)) (for NHA see fig. 4)	REF	
-1	26-9203	. CONTROL ASSY, Cockpit pedestal (for details see fig.	1	
-2	4158874	. CONTROL ASSY, Fuel selector (18355) (for details see fig. 73)	1	
-3	5150188	. CONTROL ASSY, Emergency hydraulic selector and aileron trim tab (18355) (for details see fig. 73)	1	
-4	5150190	. CONTROL ASSY, Bomb bay fuel selector and rudder trim tab (18355) (for details see fig. 73)	1	
-5	5202637-2	. PEDESTAL CONTROL INSTL, Upper sta 93 (18355) (for details see fig. 74)	NP	
-6	5150107	. PEDESTAL CONTROL INSTL, Lower sta 70 and 88 (18355) (for details see fig. 74)	NP	
-7	5202640	. PEDESTAL CONTROL INSTL, Lower sta 88 to 120 (18355) (for details see fig. 74)	NP	
-8	5202641	. PEDESTAL PULLEY BRACKET INSTL, Sta 120 (18355) (for details see fig. 74)	NP	
-9	26-9521-1	. COVER, Pedestal controls	1	
-10	210-032	. HANDLE, Control (70436)	1	
-11	26-7120-3	. PLATE, Control handle (ATTACHING PARTS)	1	
	MS20365-832	. NUT	2	
	AN960-8	. WASHER	2	
-12	AN507-832R10	. SCREW -----*	2	
-13	26-1066-1	. COVER, Pedestal flap control	1	
	26-1208-1	. STOP ASSY, Flap control, 38° pedestal	1	
-14	26-1208-3 STOP, Flap control	1	
-15	26-1208-5 SUPPORT, Flap control	1	
-16	26-1208-7 PIN	1	
-17	26-1208-9 SPRING (41361)	1	
-18	P101-473 STUD (78553)	1	
-19	AN507-632R8 SCREW	1	
-20	26 1208-11 RETAINER (ATTACHING PARTS)	2	
	AN340C6 NUT	2	
-21	AN500A6-8 SCREW -----*	2	
-22	26-1566-1	. STOP, Flap lever	1	
-23	26-9250-11	. BLOCK, Stop (ATTACHING PARTS)	1	
	MS20365-1032 NUT	2	
	AN509-10RB SCREW -----*	2	
-24	26-9250-13 PLATE	1	
-25	5195602	. COVER ASSY, Control pedestal sta 49 to 70 (18355)	1	
-26	26-9239-48	. COVER, Control pedestal sta 63 to 93 (18355)	1	
-27	2074407-16-4-11123	. CABLE ASSY, Landing gear down (18355)	1	
-28	2074407-16-4-11123	. CABLE ASSY, Landing gear up (18355)	1	
-29	2074407-16-4-16824	. CABLE ASSY, Blower high, RH (18355)	1	
-30	2074407-16-4-16000	. CABLE ASSY, Blower low, RH (18355)	1	
-31	2074407-16-4-16824	. CABLE ASSY, Blower high, LH (18355)	1	
-32	2074407-16-4-16824	. CABLE ASSY, Blower low, LH (18355)	1	
-33	2074407-16-4-10608	. CABLE ASSY, Emergency brake on (18355)	1	
-34	2074407-16-4-10608	. CABLE ASSY, Emergency brake release (18355)	1	
-35	2074407-16-6-15100	. CABLE ASSY, Mixture lean, RH (18355)	1	
-36	2074407-16-6-16700	. CABLE ASSY, Mixture rich, RH (18355)	1	
-37	2074407-16-6-16000	. CABLE ASSY, Mixture lean, LH (18355)	1	
-38	2074407-16-6-17416	. CABLE ASSY, Mixture rich, LH (18355)	1	
-39	2074407-16-4-17216	. CABLE ASSY, RPM decrease, RH (18355)	1	A
	2074407-16-6-16700	. CABLE ASSY, RPM decrease, RH (18355)	1	B
-40	2074407-16-4-16624	. CABLE ASSY, RPM increase, RH (18355)	1	A
	2074407-16-6-16000	. CABLE ASSY, RPM increase, RH (18355)	1	B
-41	2074407-16-4-17216	. CABLE ASSY, RPM decrease, LH (18355)	1	A
	2074407-16-6-17416	. CABLE ASSY, RPM decrease, LH (18355)	1	B
-42	2074407-16-4-16824	. CABLE ASSY, RPM increase, LH (18355)	1	A
	2074407-16-6-16000	. CABLE ASSY, RPM increase, LH (18355)	1	B

FIG. AND INDEX NO.	PART NUMBER	DESCRIPTION	UNITS PER ASSY	USABLE ON CODE
71-43	2074407-16-6-15100	. CABLE ASSY, Throttle closed, RH (18355)	1	
-44	2074407-16-6-16700	. CABLE ASSY, Throttle open, RH (18355)	1	
-45	2074407-16-6-16700	. CABLE ASSY, Throttle closed, LH (18355)	1	
-46	2074407-16-6-15100	. CABLE ASSY, Throttle open, LH (18355)	1	
-47	2074407-16-4-15116	. CABLE ASSY, Carburetor air hot, RH (18355)	1	
-48	2074407-16-4-15116	. CABLE ASSY, Carburetor air cold, RH (18355)	1	
-49	2074407-16-4-16000	. CABLE ASSY, Carburetor air hot, LH (18355)	1	
-50	2074407-16-4-14300	. CABLE ASSY, Carburetor air cold, LH (18355)	1	
-51	33B6001	. HANDLE, Cock control (18355)	3	
	AN960D10L	. WASHER	3	
	22K1-02	. NUT, Cap (72962)	3	
-52	AN507-1032-14	. SCREW	4	
-53	AN507-1032-10	. SCREW	4	
-54	2150727	. HANDLE, Emergency hydraulic selector control (18355)	1	
-55	1056308	. POINTER ASSY, Trim tab control unit (18355)	1	
-56	1056306	. LINK, Trim tab control unit (18355)	1	
-57	1056307	. LEVER ASSY, Trim tab control unit (18355)	1	
-58	4055640-1	. BASE, Trim tab control knob (18355)	1	
-59	2055552	. KNOB, Trim tab control (18355)	1	
-60	AN507-1032-14	. SCREW	4	
	2150845	. HANDLE ASSY, Rudder trim tab control (18355)	1	
-61	2150845-2	. HANDLE (18355)	1	
-62	1151040	. KNOB (18355)	1	
-63	1151041	. BOLT (18355)	1	
	AN960D10L	. WASHER	1	
	AN320-3	. NUT	1	
-64	33B6001	. HANDLE, Cock control (18355)	1	
	AN960D10L	. WASHER	1	
	22K1-02	. NUT, Cap (72962)	1	
-65	5150142	. BRACKET, Control pedestal pulley sta 37 (18355)	1	
-66	1154397-6	. BOLT, Pedestal pulley (18355)	1	
	4129579-2	. DRUM AND CABLE ASSY, Elevator trim tab control (18355)	1	
-67	2150781	. DRUM ASSY, Elevator trim tab control (18355)	1	
-68	2074407-6-6-84714	. CABLE ASSY (18355)		
-69	1026614G3-118	. SPACER, OD bearing (18355)	1	
-70	AN210-2A	. PULLEY	28	
-71	NAS43DD3-222	. SPACER	1	
-72	1154397-18	. BOLT, Pedestal pulley (18355)	1	
-73	NAS43DD3-18	. SPACER	3	
-74	1150988	. SPROCKET, Elevator trim tab chain idler (18355)	1	
-75	1150989	. BUSHING, Elevator trim tab chain idler sprocket (18355)	1	
-76	5157572	. BRACKET, Control pedestal pulley sta 50 (18355)	1	A
-77	5208625	. BRACKET, Control pedestal, sta 50 (18355)	1	B
-78	1154397-12	. BOLT, Pedestal pulley special (18355)	1	A
-79	1154397-20	. BOLT, Pedestal pulley special (18355)	1	B
-80	1026614G3-031	. SPACER, OD bearing (18355)	1	A
-81	NAS54DD3-60	. SPACER (formerly 117425-3D030)	1	
-82	NAS43DD3-232	. SPACER (formerly 117425-3D116)	1	
-83	1202697	. PIN, Switch retaining (18355)	1	A
-84	1159880-2	. ROD, Electrical switch push-pull (18355)	1	A
-85	NAS94-3375	. ROD	1	B
-86	AN486-4	. CLEVIS	1	A
	REB3N	. END, Rod (86174)	2	B
-87	AN316-4R	. NUT	2	
-88	AN23-16	. BOLT	20	B
-89	AN23-17	. BOLT	1	B
	AN320-3	. NUT	AR	
-90	4208526	. SHAFT ASSY, Landing gear control bellcrank (18355)	1	B
-91	AN316-5R	. NUT	4	B
-92	4208520	. BRACKET ASSY, Landing gear control shaft LH (18355)	1	B
-93	4208519	. BRACKET ASSY, Landing gear control shaft RH (18355)	1	B
	F520-5	. BUSHING, Oilite (70417)	1	B
-94	AN3-14A	. BOLT	3	B
	MS20365-1032	. NUT	3	B
-95	AN3-10A	. BOLT	3	B

Section II
Group Assembly Parts List

T.O. 1B-26K-4

FIG. AND INDEX NO.	PART NUMBER	DESCRIPTION							UNITS PER ASSY	USABLE ON CODE
		1	2	3	4	5	6	7		
71-	MS20365-1032	.	NUT	3	B
-96	1158461	.	SPACER, Control pedestal pulley bracket sta 50 (18355)	1	
-97	82	.	CHAIN, Roller link type C (72625)	1	
-98	2077407-16-5-3108	.	CABLE ASSY, Control lock locked (18355)	1	
	2077407-4-8-7116	.	CABLE ASSY, Control lock locked (18355)	1	
-99	2077407-16-5-3924	.	CABLE ASSY, Control lock unlocked (18355)	1	
	2077407-4-8-6008	.	CABLE ASSY, Control lock unlocked (18355)	1	
		A - USAF	17648, 17649, 17653, 17654, 17657, 17663 and 17664							
		B - USAF	17640 thru 17647, 17650 thru 17652, 17655, 17656, 17658 thru 17662, 17665 thru 17679							

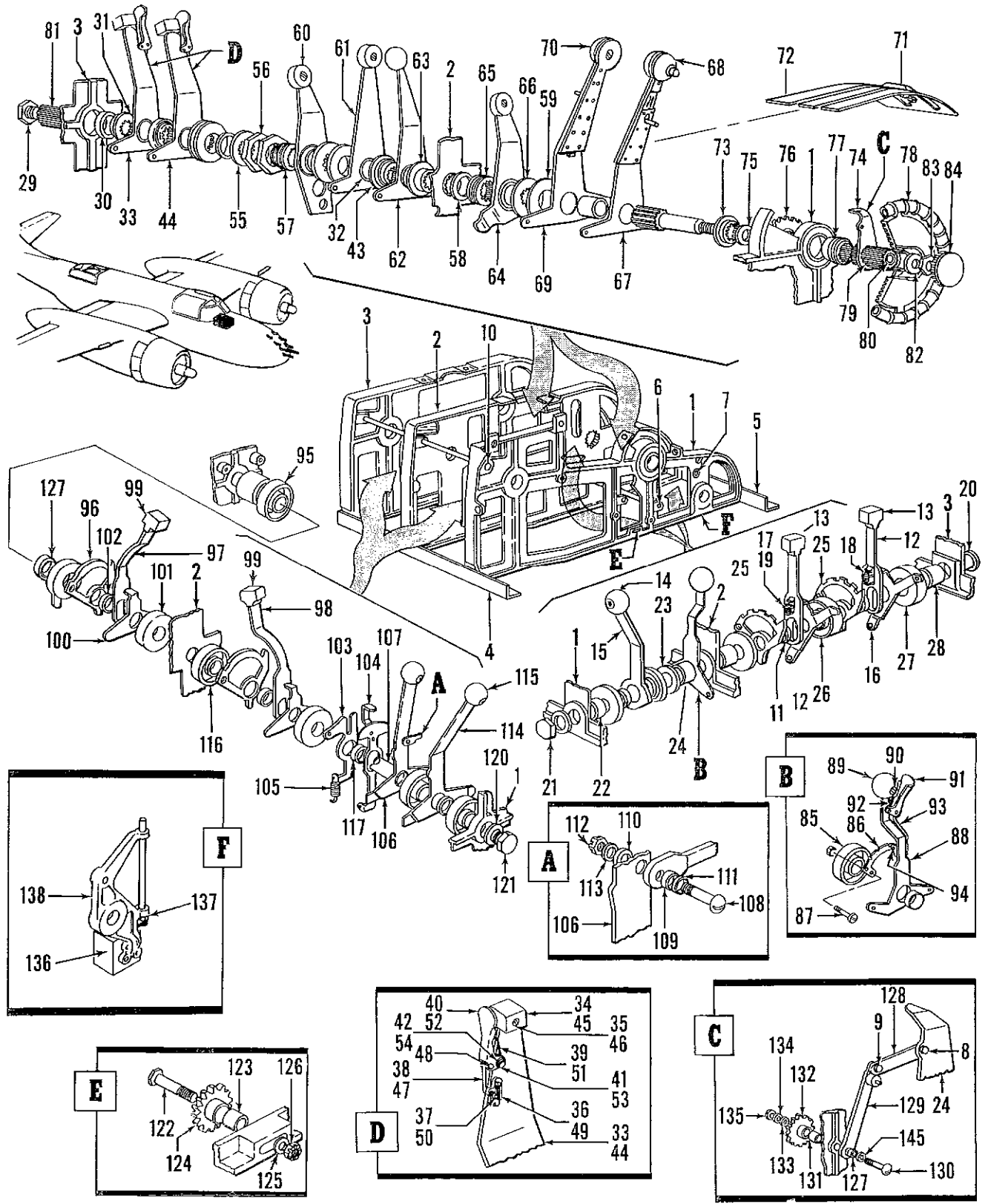


Figure 72. Cockpit Pedestal Control Assembly

Section II
Group Assembly Parts List

T.O. 1B-26K-4

FIG. AND INDEX NO.	PART NUMBER	DESCRIPTION	UNITS PER ASSY	USABLE ON CODE
72-	26-9203-1	CONTROL ASSY, Cockpit pedestal (altered from 5202638, 5207850, . . . 5208628 or 5276530 (18355)) (for NHA see fig. 71)	REF	
-1	5157825	FRAME ASSY, Control pedestal LH (18355)	1	
-2	5157826	FRAME ASSY, Control pedestal center (18355)	1	
-3	5157827	FRAME ASSY, Control pedestal RH (18355)	1	
-4	5202638-4	ANGLE (18355) (ATTACHING PARTS)	1	
	MS20365-1032	NUT	2	
	AN960D10	WASHER	2	
	AN3-5A	BOLT	2	
-5	5202638-2	ANGLE (18355) (ATTACHING PARTS)	1	
	MS20365-1032	NUT	1	
	AN960D10	WASHER	1	
	AN507-1032R8	SCREW	1	
	AN520-10-12	SCREW	1	
-6	1150994	PIN (18355)	2	
	MS24665-132	PIN	2	
-7	1158672-4	TUBE, Quadrant retaining (18355)	1	
	MS24665-134	PIN	1	
-8	MS20392-7	PIN	1	
-9	MS20392-11	PIN	1	
	AN960D6	WASHER	2	
	MS24665-132	PIN	2	
-10	1158672-2	TUBE, Quadrant retaining (18355)	1	
	MS24665-134	PIN	1	
-11	1193222-10	SPACER, Control pedestal lever steel (18355)	4	
-12	2158737	LEVER, Carburetor air control (18355)	2	
-13	2062663-2BL4BL125	KNOB (18355) (ATTACHING PARTS)	2	
	AN507-832R12	SCREW	2	
-14	26-1064-1	LEVER ASSY, Flap control	1	
	NAS198L-125	KNOB (ATTACHING PARTS)	1	
	AN507-632-8	SCREW	1	
	26-1064-9	GEAR (ATTACHING PARTS)	1	
	MS20365-632	NUT	3	
	AN507-632-8	SCREW	3	
-15	26-1064-3	BUSHING	1	
-16	26-1064-5	HANDLE	1	
-17	1158659	BELLCRANK ASSY, Carburetor air control lever (18355)	2	
-18	1158662	WASHER (18355)	4	
-19	1158661	PIN, Control lever spring retaining (18355)	4	
-20	1158663	SPRING, Control lever (18355)	4	
	2157837-4	SHAFT, Control pedestal lever aft (18355)	1	
	143908-018D108-062	WASHER (18355)	1	
-21	1150984	NUT, Control pedestal shaft retainer (18355)	1	
-22	1193973-8	SPACER, Control pedestal lever shaft tubing (18355)	1	
-23	124682-12D20-064	WASHER (18355)	1	
-24	1193973-6	SPACER, Control pedestal lever shaft tubing (18355)	1	
-25	1158670	QUADRANT, Carburetor air control lever (18355)	2	
-26	4190209-4	SPACER, Pedestal control lever shaft (18355)	1	
-27	4190209-20	SPACER, Pedestal control shaft (18355)	4	
-28	1193973-4	SPACER, Control pedestal lever shaft tubing (18355)	2	
-29	1150957	NUT, Mixture control lever adjusting (18355)	1	
-30	1157840	BUSHING, Mixture control lever adjusting (18355)	1	
-31	4158822-6	SPACER, Mixture control lever (18355)	1	
-32	1157833	SLEEVE, Throttle rpm and mixture bearing (18355)	6	
	4151133	LEVER ASSY, Mixture control RH (18355)	1	
-33	4151133-2	LEVER (18355)	1	
-34	2062650-4R8R187	KNOB (18355) (ATTACHING PARTS)	1	
-35	1087510-10-10	SCREW (18355) -----*	1	

FIG. AND INDEX NO.	PART NUMBER	DESCRIPTION	UNITS PER ASSY	USABLE ON CODE
72-36	2284599-1	. . LATCH (18355)	1	
-37	2284650	. . SCREW (18355)	2	
	MS20392-15	. . PIN	1	
-38	2284655	. . LINK (18355)	1	
-39	2208890	. . SPRING (18355)	1	
-40	2285287	. . LEVER (18355)	1	
-41	MS20392-17	. . PIN	1	
-42	AN960-4	. . WASHER	2	
-43	4158822-2	. . SPACER, RPM control lever (18355)	2	
	4151134	. . LEVER ASSY, Mixture control LH (18355)	1	
-44	4151134-2	. . LEVER (18355)	1	
-45	2062650-4R8R187	. . KNOB (18355)	1	
		(ATTACHING PARTS)		
-46	1087510-10-10	. . SCREW (18355)	1	
		-----*		
-47	2284598	. . LINK (18355)	1	
-48	MS20392-15	. . PIN	1	
-49	2284599	. . LATCH (18355)	1	
-50	2284650	. . SCREW (18355)	2	
-51	2208890	. . SPRING (18355)	1	
-52	2285287	. . LEVER (18355)	1	
-53	MS20392-17	. . PIN	1	
-54	AN960-4	. . WASHER	2	
-55	1204910	. . WASHER, Involute spline (18355)	1	
-56	1150960	. . NUT, RPM control lever adjusting (18355)	2	
-57	1157835	. . SLEEVE, RPM lock lever screw (18355)	1	
-58	1190037	. . RING, Control lever shaft retainer snap (18355)	2	
-59	143908-026M208-032	. . WASHER (18355)	3	
-60	4157839	. . LEVER ASSY, RPM lock (18355)	1	
	2062607-6R8R125	. . KNOB (18355)	1	
		(ATTACHING PARTS)		
	AN507-1032R8	. . SCREW	1	
		-----*		
-61	4151135	. . LEVER ASSY, RPM control RH (18355)	1	
	NAS124W187	. . KNOB	1	
		(ATTACHING PARTS)		
	1087510-10-10	. . SCREW (18355)	1	
		-----*		
-62	4151136	. . LEVER ASSY, RPM LH (18355)	1	
	NAS124W187	. . KNOB	1	
		(ATTACHING PARTS)		
	1087510-10-10	. . SCREW (18355)	1	
		-----*		
-63	4158822-8	. . SPACER, RPM control lever (18355)	1	
-64	4157831	. . LEVER ASSY, Throttle lock (18355)	1	
	2062607-6R8R125	. . KNOB (18355)	2	
		(ATTACHING PARTS)		
	AN507-1032R8	. . SCREW	1	
		-----*		
-65	1157841	. . SLEEVE, Throttle lock lever screw (18355)	1	
-66	1157834	. . WASHER, Control lever (18355)	3	
	26-9250-1	. . THROTTLE LOCK INSTL (LH & RH)	1	
-67	26-9250-3	. . THROTTLE ASSY, LH (make from 4151109 (18355))	1	
-68	26-9250-19	. . KNOB ASSY	1	
	26-9250-21	. . KNOB (Altered from C100P2-1 (97707))	1	
	26-9250-25	. . WASHER	1	
	26-9250-23	. . SWITCH (Altered from C100P2-1 (97707))	1	
		(ATTACHING PARTS)		
	COMM	. . NO. 2 X 3/8 SELF TAPPING, Phillip recessed	2	
		oval head screw		
		-----*		
-69	26-9250-5	. . THROTTLE ASSY, RH (Altered from 4151137 (18355))	1	
-70	1202321	. . KNOB (18355)	1	
		(ATTACHING PARTS)		
	AN507-1032R12	. . SCREW	1	
		-----*		
-71	26-9250-11	. . BLOCK	1	
		(ATTACHING PARTS)		
	MS20365-1032	. . NUT	2	

Section II
Group Assembly Parts List

T.O. 1B-26K-4

FIG. AND INDEX NO.	PART NUMBER	DESCRIPTION	UNITS PER ASSY	USABLE ON CODE
72-	AN309-10R8	. . SCREW	2	
		----*----		
-72	26-9250-13	. . PLATE	1	
	26-9250-17	. . PLACARD	1	
-73	4158822-4	. SPACER, Throttle control lever (18355)	1	
-74	2150827	. INDICATOR, Elevator trim tab control (18355)	1	
-75	143908-016S104-125	. WASHER (18355)	1	
-76	1150964	. SPROCKET, Elevator trim tab drum drive (18355)	1	
-77	1150965	. SPACER, Elevator trim tab indicator (18355)	1	
-78	4159511	. WHEEL ASSY, Elevator trim tab control (18355)	1	
-79	1190179	. SHAFT, Elevator trim tab sprocket drive (18355)	1	
-80	1150962	. BUSHING, Throttle control lever adjusting (18355)	1	
-81	2157838	. SHAFT, Control pedestal lever center (18355)	1	
-82	143908-012S104-064	. WASHER (18355)	1	
-83	MS20365-624	. NUT	1	
-84	50890	. DOT PLUG (61864)	1	
-85	1193222-4	. SPACER, Control pedestal lever steel (18355)	1	
-86	1158671	. QUADRANT, Landing gear control lever (18355)	1	
-87	AN501A416-28	. SCREW	2	
	MS20365-428	. NUT	2	
	4191523	. LEVER ASSY, Landing gear control (18355)	1	
-88	4204840	. . LEVER (18355)	1	
-89	NAS198R125	. . KNOB	1	
		(ATTACHING PARTS)		
-90	AN507-1032R16	. . SCREW	1	
		----*----		
-91	2116137	. . LEVER (18355)	1	
-92	2208890	. . SPRING (18355)	1	
-93	1204861	. . SPRING (18355)	1	
-94	1116233	. . LATCH (18355)	1	
	1116218	. . SCREW (18355)	1	
	MS20392-13	. . PIN	2	
	AN960-4	. . WASHER	3	
-95	1193973-14	. SPACER (18355)	1	
-96	1158666	. QUADRANT, Blower control lever (18355)	2	
-97	2159628	. LEVER, Blower control RH (18355)	1	
-98	4158820	. LEVER, Blower control LH (18355)	1	
-99	2062663-2A4A125	. KNOB (18355)	2	
-100	1158660	. BELLCRANK ASSY, Blower control lever (18355)	2	
-101	4190209-10	. SPACER, Control pedestal lever shaft (18355)	2	
-102	1193222-10	. SPACER, Control pedestal lever steel (18355)	2	
-103	1193220	. GUIDE, Control lock lever stop (18355)	1	
-104	2192705	. STOP ASSY, Control lock lever (18355)	1	
-105	1193221	. SPRING, Control lock lever (18355)	1	
-106	4157828	. LEVER ASSY, Control lock (18355)	1	
-107	NAS121R187	. . KNOB	1	
		(ATTACHING PARTS)		
	1067507-1	. . SCREW (18355)	1	
		----*----		
-108	AN23-14	. BOLT	1	
-109	2033901-5S187-004	. SPACER (18355)	1	
-110	1026614G3-005	. SPACER (18355)	1	
-111	143908-006S018-064	. WASHER (18355)	1	
-112	AN320-3	. NUT	1	
-113	AN960D10	. WASHER	1	
-114	4157836	. LEVER ASSY, Emergency brake (18355)	1	
-115	NAS121R187	. . KNOB	1	
		(ATTACHING PARTS)		
	1067507-1	. . SCREW (18355)	1	
		----*----		
-116	4190209-18	. SPACER (18355)	4	
-117	1193222-12	. SPACER (18355)	1	
-118	1193222-2	. SPACER (18355)	1	
-119	2157837-2	. SHAFT, Control pedestal lever forward (18355)	1	
-120	143908-01S108-062	. WASHER (18355)	1	
-121	1150984	. NUT, Control pedestal shaft retainer (18355)	1	
-122	AN3-12	. BOLT	1	

FIG. AND INDEX NO.	PART NUMBER	DESCRIPTION	UNITS PER ASSY	USABLE ON CODE
72-123	1026614G3-014	. BUSHING (18355)	1	
-124	1150988	. SPROCKET (18355)	1	
-125	AN960D10	. WASHER	1	
-126	AN320-3	. NUT	1	
-127	1150985	. BUSHING, Elevator trim tab stop arm (18355)	1	
-128	1150987	. LINK (18355)	1	
-129	2150826	. ARM ASSY, Elevator trim tab indicator follower (18355)	1	
-130	AN23-24	. BOLT	1	
-131	1150989	. BUSHING, Elevator trim tab chain idler sprocket (18355)	1	
-132	1150988	. SPROCKET, Elevator trim tab chain idler (18355)	1	
-133	AN960-10L	. WASHER	2	
-134	AN960-10	. WASHER	1	
-135	AN320-3	. NUT	1	
-136	13131	. SOLENOID	1	
		(ATTACHING PARTS)		
	AN3-7	. BOLT	4	
-137	26-1105-1	. LINK	1	
	117425-30-10	. SPACER	1	
	AN315-3R	. NUT	1	
	MS20365-1032	. NUT	2	
	2276525	. STOP (18355)	1	
-138	26-9530-1	. BRACKET ASSY	1	
		-----*		

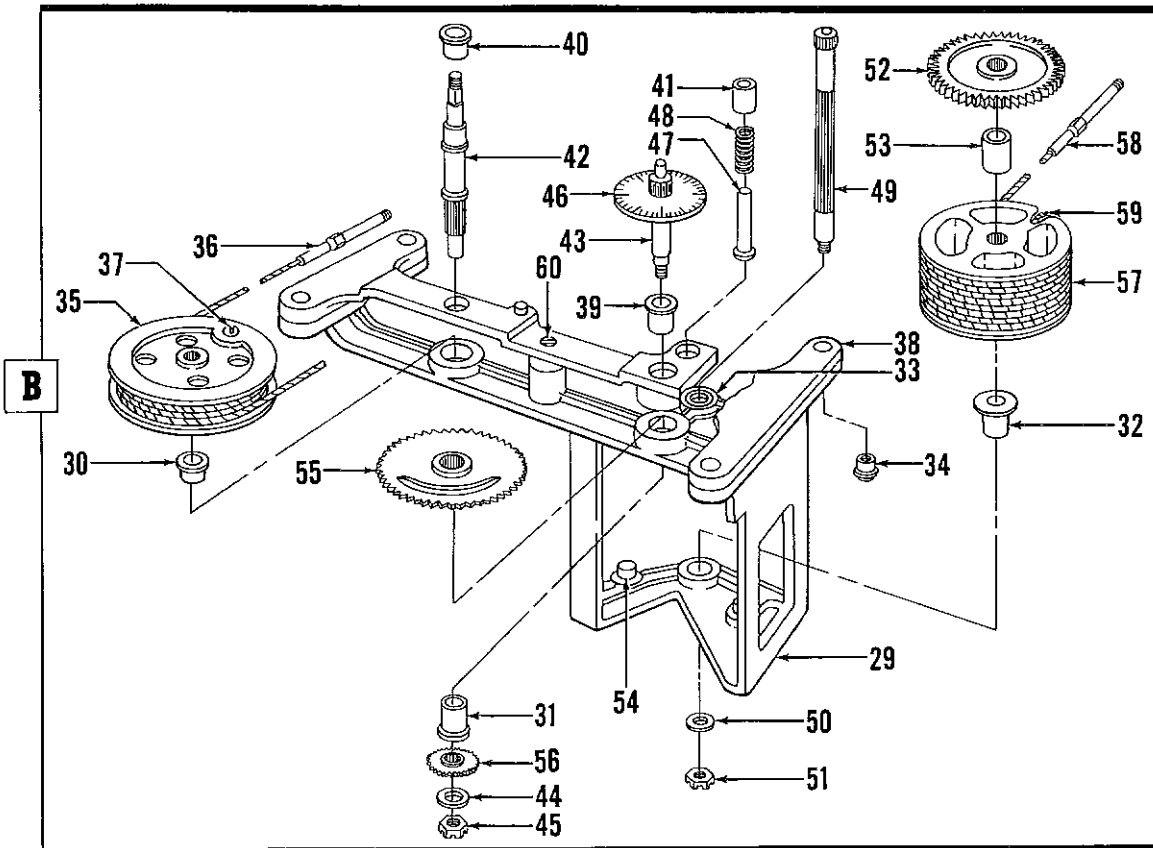
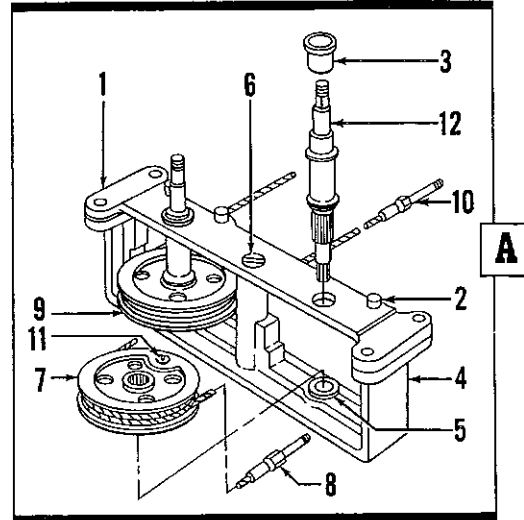
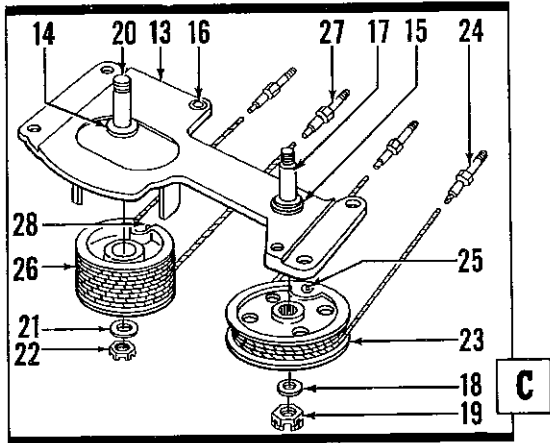
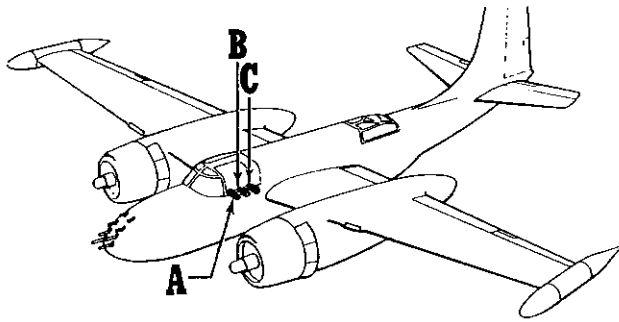


Figure 73. Trim Tab and Selector Control Assemblies

FIG. AND INDEX NO.	PART NUMBER	DESCRIPTION	UNITS PER ASSY	USABLE ON CODE
73-		TRIM TAB AND SELECTOR CONTROL ASSEMBLIES		
	4158874	. CONTROL ASSY, Fuel selector (18355) (for NHA see fig. 71)	REF	
	4158857	. . . BRACKET ASSY (18355)	1	
-1	4158857-2	. . . BRACKET (18355)	1	
-2	1150524	. . . PIN (18355)	4	
-3	1190067	. . . BUSHING (18355)	2	
	4158858	. . . BRACKET ASSY (18355)	1	
-4	4158858-2	. . . BRACKET (18355)	1	
-5	1150589	. . . BUSHING (18355)	2	
	MS20365-1032	. . . NUT	1	
	AN960D10	. . . WASHER	1	
-6	AN507-1032R60	. . . SCREW	1	
	4129545-2	. . . DRUM AND CABLE ASSY, Fuel selector LH (18355)	1	
-7	1155468-4	. . . DRUM (18355)	1	
-8	2074407-6-6-25516	. . . CABLE ASSY (18355)	1	
	4129545-4	. . . DRUM AND CABLE ASSY, Fuel selector RH (18355)	1	
-9	1155468-4	. . . DRUM (18355)	1	
-10	2074407-6-6-26200	. . . CABLE ASSY (18355)	1	
	MS20365-1032	. . . NUT	1	
	AN960D10	. . . WASHER	1	
-11	AN23-11A	. . . BOLT	1	
-12	1158667	. . . SHAFT (18355)	2	
	5150188	. CONTROL ASSY, Emergency hydraulic selector and aileron trim tab (18355) (for NHA see fig. 71)	REF	
	5150189	. . BRACKET ASSY, Emergency hydraulic selector and aileron trim tab (18355)	1	
-13	5150189-2	. . . BRACKET (18355)	1	
-14	1150522	. . . BUSHING (18355)	1	
-15	1150523	. . . BUSHING (18355)	1	
-16	A304-9	. . . BUSHING, Oilite (70417)	1	
-17	1150525	. . . SHAFT (18355)	1	
-18	AN960-516L	. . . WASHER	1	
-19	AN310-5	. . . NUT	1	
-20	1150542	. . . SHAFT (18355)	1	
-21	AN960D416	. . . WASHER	1	
-22	AN320-4	. . . NUT	1	
	4129545-8	. . . DRUM AND CABLE ASSY (18355)	1	
-23	1155468-4	. . . DRUM (18355)	1	
-24	2074407-4-4-16619	. . . CABLE ASSY (18355)	1	
	MS20365-1032	. . . NUT	1	
	AN960D10	. . . WASHER	1	
-25	AN23-11A	. . . BOLT	1	
	2150737-2	. . . DRUM AND CABLE ASSY (18355)	1	
-26	2150738	. . . DRUM (18355)	1	
-27	2074407-6-6-24700	. . . CABLE ASSY (18355)	1	
-28	144185-104	. . . PIN (18355)	1	
	5150190	. CONTROL ASSY, Bomb bay fuel selector and rudder trim tab (18355) (for NHA see fig. 71)	REF	
	5150192	. . BRACKET ASSY (18355)	1	
-29	5150192-2	. . . BRACKET (18355)	1	
-30	1150589	. . . BUSHING (18355)	1	
-31	1150590	. . . BUSHING (18355)	1	
-32	1150591	. . . BUSHING (18355)	1	
-33	1150592	. . . BUSHING (18355)	1	
-34	22D12-02	. . . NUT, Spline (72962)	4	
	4129545-6	. . . DRUM AND CABLE ASSY (18355)	1	
-35	1155468-4	. . . DRUM (18355)	1	
-36	2074407-4-4-10800	. . . CABLE ASSY (18355)	1	
	MS20365-1032	. . . NUT	1	
	AN960D10	. . . WASHER	1	
-37	AN23-11A	. . . BOLT	1	
	5150191	. . BRACKET ASSY (18355)	1	
-38	5150191-2	. . . BRACKET (18355)	1	
-39	1150587	. . . BUSHING (18355)	1	

Section II
Group Assembly Parts List

T.O. 1B-26K-4

FIG. AND INDEX NO.	PART NUMBER	DESCRIPTION 1 2 3 4 5 6 7	UNITS PER ASSY	USABLE ON CODE
73-40	1150588	. . . BUSHING (18355)	1	
-41	A3751	. . . BUSHING, Oilite (70417)	1	
-42	1150905	. . . SHAFT (18355)	1	
-43	1150597	. . . SHAFT (18355)	1	
-44	AN960-416	. . . WASHER	1	
-45	AN320-4	. . . NUT	1	
-46	1150900	. . . INDICATOR ASSY, Rudder trim tab position (18355)	1	
-47	1150901	. . . PIN (18355)	1	
-48	1150902	. . . SPRING (18355)	1	
-49	1150593	. . . SHAFT ASSY (18355)	1	
-50	AN960-10	. . . WASHER	1	
-51	AN320-3	. . . NUT	1	
-52	1150596	. . . GEAR (18355)	1	
-53	NAS43DD6-44	. . . SPACER	1	
-54	143358-205	. . . PIN (18355)	2	
-55	2151616	. . . GEAR (18355)	1	
-56	1150598	. . . GEAR (18355)	1	
	4129570-2	. . . DRUM AND CABLE ASSY (18355)	1	
-57	2150770	. . . DRUM (18355)	1	
-58	2074407-6-6-84900	. . . CABLE ASSY (18355)	1	
-59	144185-104	. . . PIN (18355)	1	
	MS20365-1032	. . . NUT	1	
	AN960-10	. . . WASHER	1	
-60	AN507-1032-36	. . . SCREW	1	

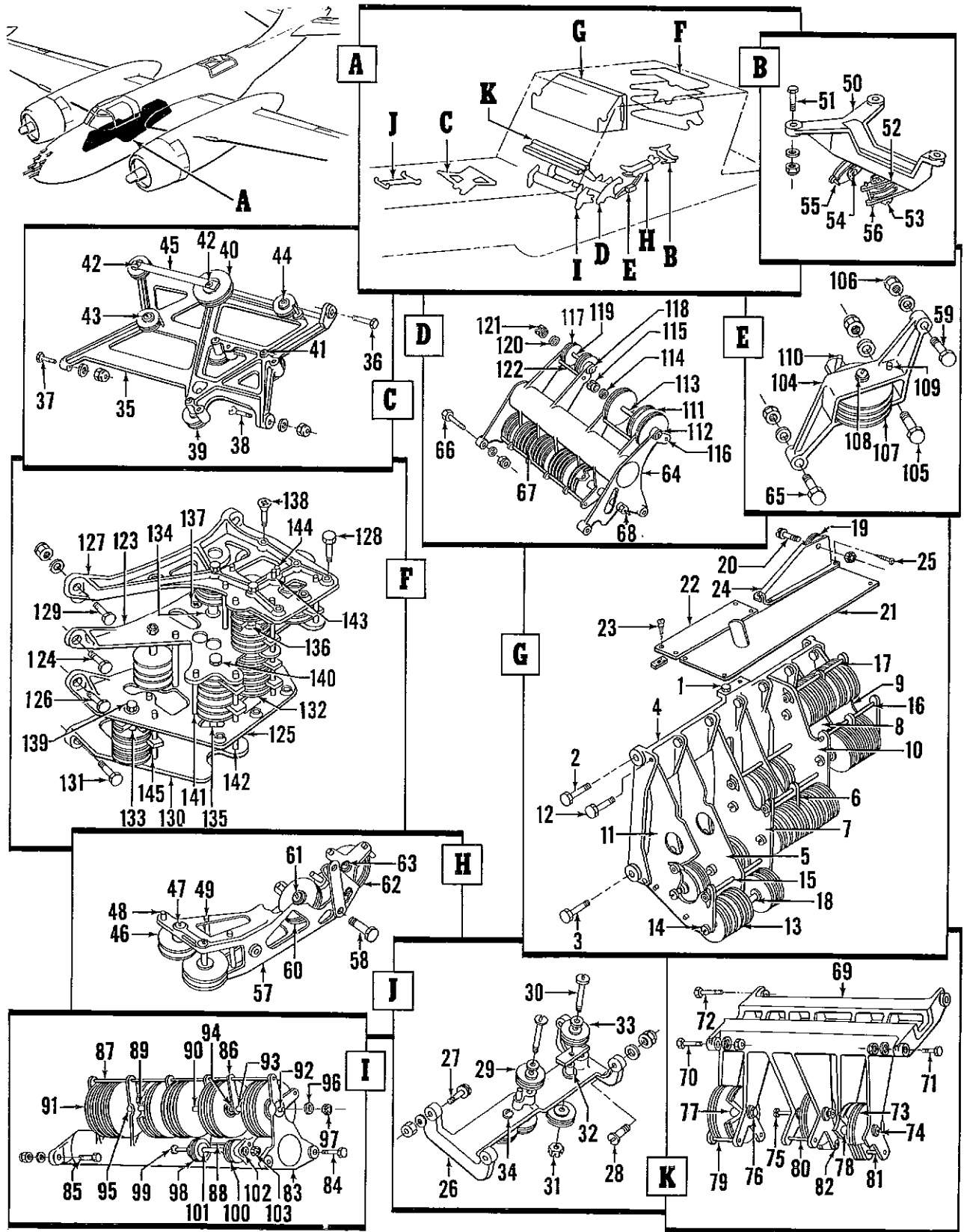


Figure 74. Upper and Lower Pedestal Control and Pulley Bracket Installation

Section II
Group Assembly Parts List

T.O. 1B-26K-4

FIG. AND INDEX NO.	PART NUMBER	DESCRIPTION	UNITS PER ASSY	USABLE ON CODE		
					1	2
74-		UPPER AND LOWER PEDESTAL CONTROL AND PULLEY BRACKET INSTL				
	5202637	. PEDESTAL CONTROL INSTL, Upper sta 93 (18355)	REF			
		(for NHA see fig. 71)				
	5202637-2	. . BRACKET ASSY, Control pedestal upper sta 93 (18355)	1			
	5193030	. . . BRACKET ASSY, Pedestal pulley upper sta 93 (18355)	1			
		(ATTACHING PARTS)				
	MS20365-1032	. . . NUT	6			
	AN960D10	. . . WASHER	6			
-1	AN3-6A	. . . BOLT	2			
-2	AN3-10A	. . . BOLT	2			
-3	AN3-11A	. . . BOLT	2			
		-----*				
-4	5191097	. . . BRACKET, Pedestal pulley upper sta 93 (18355)	1			
-5	2157746	. . . PLATE ASSY, Lower tier middle sta 93 (18355)	1			
-6	2157747	. . . PLATE ASSY, Middle tier middle sta 93 (18355)	1			
-7	2157748	. . . PLATE ASSY, Lower tier inner sta 93 (18355)	1			
-8	2157749	. . . PLATE ASSY, Upper tier middle sta 93 (18355)	1			
-9	2157750	. . . PLATE ASSY, Upper tier outer sta 93 (18355)	1			
-10	2157751	. . . PLATE ASSY, Upper tier inner sta 93 (18355)	1			
-11	2157752	. . . PLATE ASSY, Lower tier outer sta 93 (18355)	1			
	MS20365-1032	. . . NUT	14			
	AN960D10	. . . WASHER	14			
-12	AN3-5A	. . . BOLT	14			
-13	AN210-2A	. . . PULLEY	32			
	AN320-3	. . . NUT	6			
	AN960D10	. . . WASHER	6			
-14	AN23-57	. . . BOLT	6			
-15	143358-303	. . . PIN (18355)	4			
-16	NAS427K48	. . . PIN	7			
-17	143358-214	. . . PIN (18355)	1			
-18	1074744-3D594	. . . SPACER (18355)	8			
-19	AN210-1A	. . . PULLEY	1			
	AN320-3	. . . NUT	1			
	AN960D10	. . . WASHER	1			
-20	AN23-11	. . . BOLT	1			
-21	2192702	. . . PLATE (18355)	1			
-22	2192701	. . . PLATE (18355)	1			
		(ATTACHING PARTS)				
-23	AN530-8-8	. . . SCREW	8			
	A1789-8Z1	. . . NUT, Speed (78553)	2			
		-----*				
-24	2277001	. . . PLATE (18355)	1			
		(ATTACHING PARTS)				
-25	AN530-8-8	. . . SCREW	4			
	A1789-8Z1	. . . NUT, Speed (78553)	2			
		-----*				
	5150107	. PEDESTAL CONTROL INSTL, Lower sta 70 and 88 (18355)	REF			
		(for NHA see fig. 71)				
-26	5150109	. . BRACKET ASSY (18355)	1			
		(ATTACHING PARTS)				
	MS20365-1032	. . . NUT	4			
	AN960D10	. . . WASHER	8			
-27	AN23-13A	. . . BOLT	3			
-28	AN23-17A	. . . BOLT	1			
		-----*				
-29	AN210-1A	. . . PULLEY	4			
-30	AN23-32	. . . BOLT	2			
	124682-3D12-065	. . . WASHER (18355)	4			
-31	AN320-3	. . . NUT	2			
-32	2033901-8K219-016	. . . BUSHING (18355)	1			
-33	AN210-1A	. . . PULLEY	1			
-34	AN23-22	. . . BOLT	1			
	124682-3D12-065	. . . WASHER (18355)	1			
	AN320-3	. . . NUT	1			

FIG. AND INDEX NO.	PART NUMBER	DESCRIPTION	UNITS PER ASSY	USABLE ON CODE
74-35	5150111	. . BRACKET ASSY (18355) (ATTACHING PARTS)	1	
	MS20365-1032	. . NUT	4	
	AN960D10	. . WASHER	4	
-36	AN3-7A	. . BOLT	2	
-37	AN3-6A	. . BOLT	1	
-38	AN507-1032R14	. . SCREW	1	
		-----*		
-39	AN210-1A	. . PULLEY	6	
-40	AN210-2A	. . PULLEY	1	
-41	AN23-23	. . BOLT	1	
	AN320-3	. . NUT	1	
-42	AN23-28	. . BOLT	2	
	AN320-3	. . NUT	2	
-43	AN23-21	. . BOLT	3	
	AN320-3	. . NUT	3	
-44	AN23-29	. . BOLT	1	
	AN320-3	. . NUT	1	
	AN960D10	. . WASHER	AR	
	124682-3D12-065	. . WASHER (18355)	AR	
-45	1193318	. . GUARD ASSY (18355)	1	
	AN960D10	. . WASHER	2	
	5202640	. . PEDESTAL CONTROL INSTL, Lower sta 88 to 120 (18355) (for NHA see fig. 71)	REF	
-46	AN210-2A	. . PULLEY	2	
	AN320-3	. . NUT	2	
	AN960D10	. . WASHER	2	
	1074744-3D455	. . SPACER (18355)	2	
-47	AN23-34	. . BOLT	2	
-48	NAS427K10	. . PIN	1	
-49	143358-113	. . PIN (18355)	2	
-50	4151226	. . BRACKET (18355) (ATTACHING PARTS)	1	
	MS20365-1032	. . NUT	3	
	AN960D10	. . WASHER	3	
-51	AN3-6A	. . BOLT	3	
		-----*		
-52	AN210-1A	. . PULLEY	2	
	AN320-3	. . NUT	2	
	AN960D10	. . WASHER	2	
-53	AN23-19	. . BOLT	1	
-54	AN23-16	. . BOLT	1	
-55	143358-025	. . PIN (18355)	2	
-56	NAS427K8	. . PIN	2	
-57	5128663	. . BRACKET (18355) (ATTACHING PARTS)	1	
	MS20365-1032	. . NUT	3	
	AN960D10	. . WASHER	3	
-58	AN3-7A	. . BOLT	2	
-59	AN3-12A	. . BOLT	1	
		-----*		
-60	AN210-2A	. . PULLEY	1	
-61	AN23-26	. . BOLT	1	
	AN960D10	. . WASHER	1	
	AN320-3	. . NUT	1	
	NAS427K12	. . PIN	2	
-62	AN210-2A	. . PULLEY	1	
-63	AN23-22	. . BOLT	1	
	AN960D10	. . WASHER	1	
	AN320-3	. . NUT	1	
	NAS427K12	. . PIN	2	
-64	5193098	. . BRACKET (18355) (ATTACHING PARTS)	1	
	MS20365-1032	. . NUT	4	
	AN960D10	. . WASHER	4	
-65	AN3-13A	. . BOLT	1	
-66	AN3-10A	. . BOLT	3	
		-----*		

Section II
Group Assembly Parts List

T.O. 1B-26K-4

FIG. AND INDEX NO.	PART NUMBER	DESCRIPTION	UNITS PER ASSY	USABLE ON CODE
74-67	AN210-2A	. . . PULLEY	16	
-68	1154397-2	. . . STUD (18355)	1	
	AN960D10	. . . WASHER	2	
	AN320-3	. . . NUT	2	
	143358-906	. . . PIN (18355)	2	
	1074744-3D117	. . . SPACER (18355)	2	
	1074744-3D549	. . . SPACER (18355)	2	
-69	5128660	. . . BRACKET (18355)	1	
		(ATTACHING PARTS)		
	MS20365-1032	. . . NUT	4	
	AN960D10	. . . WASHER	4	
-70	AN3-11A	. . . BOLT	1	
-71	AN3-10A	. . . BOLT	1	
-72	AN3-7A	. . . BOLT	2	
		-----*		
-73	AN210-2A	. . . PULLEY	5	
	AN320-3	. . . NUT	1	
	AN960D10	. . . WASHER	1	
-74	AN23-34	. . . BOLT	1	
	AN320-3	. . . NUT	1	
	AN960D10	. . . WASHER	1	
-75	AN23-27	. . . BOLT	1	
	22D16-02	. . . NUT, Spline (72962)	1	
	AN960D10	. . . WASHER	1	
-76	MS20073-15	. . . BOLT	1	
-77	1074744-3D203	. . . SPACER (18355)	1	
-78	NAS43DD3-16	. . . SPACER	1	
-79	143358-113	. . . PIN (18355)	2	
-80	143358-107	. . . PIN (18355)	1	
-81	143358-119	. . . PIN (18355)	2	
	MS20365-1032	. . . NUT	1	
	AN960D10	. . . WASHER	1	
-82	NAS221-28	. . . SCREW	1	
-83	5128662	. . . BRACKET (18355)	1	
		(ATTACHING PARTS)		
	MS20365-1032	. . . NUT	4	
	AN960D10	. . . WASHER	4	
-84	AN3-7A	. . . BOLT	3	
-85	AN3-6A	. . . BOLT	1	
		-----*		
-86	1128853	. . . PLATE (18355)	1	
-87	143358-813	. . . PIN (18355)	2	
-88	143358-206	. . . PIN (18355)	1	
-89	1074744-3D969	. . . SPACER (18355)	1	
-90	1074744-3D593	. . . SPACER (18355)	1	
-91	AN210-2A	. . . PULLEY	12	
-92	1154397-4	. . . STUD (18355)	1	
-93	1074744-3D1064	. . . SPACER (18355)	1	
-94	1074744-3D223	. . . SPACER (18355)	1	
-95	1074744-3D343	. . . SPACER (18355)	1	
-96	AN960D10	. . . WASHER	2	
-97	AN320-3	. . . NUT	2	
-98	AN210-1A	. . . PULLEY	1	
-99	AN23-42	. . . BOLT	1	
-100	AN210-1A	. . . PULLEY	1	
-101	1074744-3D1109	. . . SPACER (18355)	1	
-102	AN960D10	. . . WASHER	1	
-103	AN320-3	. . . NUT	1	
-104	4128273	. . . BRACKET (18355)	1	
		(ATTACHING PARTS)		
	MS20365-1032	. . . NUT	1	
	AN960D10	. . . WASHER	1	
-105	AN3-10A	. . . BOLT	1	
-106	MS20365-1032	. . . NUT	2	
	AN960D10	. . . WASHER	2	
		-----*		

FIG. AND INDEX NO.	PART NUMBER	DESCRIPTION	UNITS PER ASSY	USABLE ON CODE
74-107	AN210-2A	. . . PULLEY	2	
	AN320-3	. . . NUT	1	
	AN960D10	. . . WASHER	1	
-108	AN23-26	. . . BOLT	1	
-109	NAS427K12	. . . PIN	1	
-110	143358-107	. . . PIN (18355)	1	
-111	AN210-2A	. . . PULLEY	3	
-112	AN23-64	. . . BOLT	1	
-113	1074744-3D1604	. . . SPACER (18355)	1	
-114	AN960D10	. . . WASHER	1	
-115	AN320-3	. . . NUT	1	
-116	NAS427K58	. . . PIN	2	
-117	AN210-1A	. . . PULLEY	2	
-118	AN23-46	. . . BOLT	1	
-119	1074744-3D1331	. . . SPACER (18355)	1	
-120	AN960D10	. . . WASHER	1	
-121	AN320-3	. . . NUT	1	
-122	143358-215	. . . PIN (18355)	1	
	5202641	. . . PEDESTAL PULLEY BRACKET INSTL, Sta 120 (18355) (for NHA see fig. 71)	REF	
-123	5128508	. . . BRACKET (18355) (ATTACHING PARTS)	1	
	MS20365-1032	. . . NUT	2	
	AN960D10	. . . WASHER	2	
-124	AN3-6A	. . . BOLT -----*	2	
-125	5128507	. . . BRACKET (18355) (ATTACHING PARTS)	1	
	MS20365-1032	. . . NUT	5	
	AN960D10	. . . WASHER	5	
-126	AN3-6A	. . . BOLT -----*	5	
-127	5128509	. . . BRACKET UPPER PLATE (18355) (ATTACHING PARTS)	1	
	MS20365-1032	. . . NUT	5	
	AN960D10	. . . WASHER	5	
-128	AN3-7A	. . . BOLT	3	
-129	AN3-6A	. . . BOLT -----*	2	
-130	5128506	. . . BRACKET LOWER PLATE (18355) (ATTACHING PARTS)	1	
	MS20365-1032	. . . NUT	2	
	AN960D10	. . . WASHER	2	
-131	AN3-6A	. . . BOLT -----*	2	
-132	AN210-2A	. . . PULLEY	28	
-133	1150476	. . . SPACER (18355)	15	
-134	1074744-3D969	. . . SPACER (18355)	4	
-135	1074744-3D1750	. . . SPACER (18355)	3	
-136	1151397	. . . SPACER (18355)	2	
	AN320-3	. . . NUT	2	
-137	1151399-6	. . . SCREW (18355)	2	
	AN320-3	. . . NUT	1	
-138	1151399-4	. . . SCREW (18355)	2	
	AN310-3	. . . NUT	5	
-139	AN3-33	. . . BOLT	5	
	AN310-3	. . . NUT	2	
	AN960D10	. . . WASHER	11	
-140	AN3-54	. . . BOLT	2	
-141	NAS427K38	. . . PIN	7	
-142	143358-423	. . . PIN, Pulley guard (18355)	2	
-143	143358-429	. . . PIN, Pulley guard (18355)	1	
-144	NAS427K46	. . . PIN	3	
-145	143358-218	. . . PIN, Pulley guard (18355)	6	

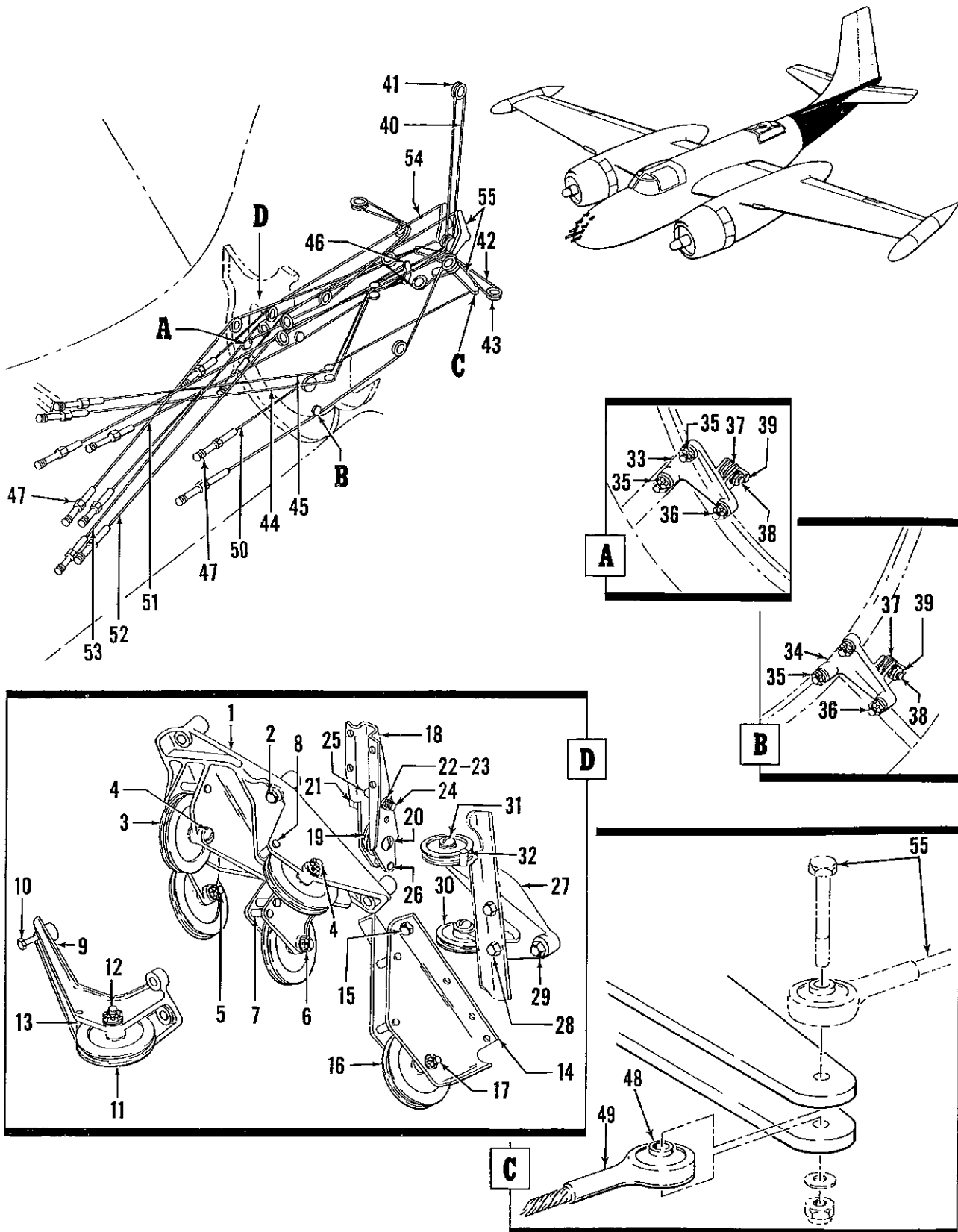


Figure 75. Fuselage Aft Section Flight Control Installation

FIG. AND INDEX NO.	PART NUMBER	DESCRIPTION	UNITS PER ASSY	USABLE ON CODE
75-	26-0026-1	FLIGHT CONTROL INSTL, Fuselage aft section (altered from 5153183 (18355)) (for NHA see fig. 4)	REF	
-1	3157878 5190591	. . . FLIGHT CONTROL INSTL, Fuselage sta 447 (18355) BRACKET, Fuselage elevator pulley (18355) (ATTACHING PARTS)	1 1	
-2	MS20365-428 AN960D416 AN4-15A	. . . NUT WASHER BOLT -----*	4 4 4	
-3	AN210-4A	. . . PULLEY (ATTACHING PARTS)	4	
	AN320-4 AN960D416	. . . NUT WASHER	4 4	
-4	AN24-22	. . . BOLT	2	
-5	AN24-24	. . . BOLT	1	
-6	AN24-25	. . . BOLT -----*	1	
-7	143358-103	. . . PIN, Pulley guard, 1-3/32 in. long (18355)	4	
-8	143358-109	. . . PIN, Pulley guard, 1-9/32 in. long (18355)	2	
-9	5159510	. . . BRACKET, Fuselage, rudder pulley, nose right (18355) (ATTACHING PARTS)	1	
	MS20365-1032 AN960D10	. . . NUT WASHER	3 3	
-10	AN3-10A	. . . BOLT -----*	3	
-11	AN210-4A	. . . PULLEY (ATTACHING PARTS)	1	
	AN320-4 AN960D416	. . . NUT WASHER	1 1	
	AN24-27	. . . BOLT -----*	1	
-13	NAS427K19	. . . PIN	1	
-14	4190333	. . . BRACKET ASSY, Fuselage rudder pulley, hose left (18355) (ATTACHING PARTS)	1	
	MS20365-1032 AN960D10	. . . NUT WASHER	2 2	
-15	AN3-4A	. . . BOLT -----*	2	
-16	AN210-4A	. . . PULLEY (ATTACHING PARTS)	1	
	AN320-4 AN960D416	. . . NUT WASHER	1 1	
-17	AN24-15	. . . BOLT -----*	1	
-18	2150842	. . . BRACKET, Fuselage, rudder trim pulley (18355)	1	
-19	AN210-1A	. . . PULLEY (ATTACHING PARTS)	1	
	AN320-3 AN960D10	. . . NUT WASHER	1 1	
-20	AN23-12	. . . BOLT -----*	1	
-21	1151038	. . . FAIRLEAD (18355) (ATTACHING PARTS)	1	
-22	MS20365-832	. . . NUT	2	
-23	AN60D8	. . . WASHER	2	
-24	AN515-8-20	. . . SCREW	2	
-25	NAS43DD2-28	. . . SPACER	2	
-26	NAS43DD4-28	. . . SPACER -----*	1	
-27	2150844	. . . BRACKET, Fuselage, control lock pulley (18355) (ATTACHING PARTS)	1	
	MS20365-1032 AN960D10	. . . NUT WASHER	3 3	
-28	AN3-10A	. . . BOLT	2	
-29	AN3-14A	. . . BOLT -----*	1	

Section II
Group Assembly Parts List

T.O. 1B-26K-4

FIG. AND INDEX NO.	PART NUMBER	DESCRIPTION 1 2 3 4 5 6 7	UNITS PER ASSY	USABLE ON CODE
75-30	AN210-1A	. . PULLEY	2	
	AN320-3	. . (ATTACHING PARTS)		
	AN320-3	. . NUT	2	
	AN23-15	. . BOLT	2	
		----*----		
-32	NAS427K12	. . PIN	2	
-33	4190206	. . BRACKET, Fuselage elevator trim pulley, RH (18355)	1	
-34	4190207	. . BRACKET, Fuselage elevator trim pulley, LH (18355)	1	
		. . (ATTACHING PARTS)		
	MS20365-1032	. . NUT	3	
	AN960-3	. . WASHER	3	
-35	AN3-6A	. . BOLT	2	
-36	AN3-7A	. . BOLT	1	
		----*----		
-37	AN210-1A	. . PULLEY	2	
		. . (ATTACHING PARTS)		
	AN320-3	. . NUT	2	
	AN960D10	. . WASHER	2	
-38	AN23-20	. . BOLT	2	
		----*----		
-39	NAS427K46	. . PIN	2	
	4128568-2	. . DRUM ASSY, Rudder trim tab control (18355)	1	
-40	2074407-7-7-29700	. . CABLE ASSY, Swaged type, 3/32 dia. (18355)	1	
-41	2126532	. . DRUM, Rudder trim tab (18355)	1	
	4127569-2	. . DRUM AND CABLE ASSY, Elevator trim tab control (18355)	1	
-42	2074407-7-7-41716	. . CABLE ASSY, Swaged type, 3/32-in. dia (18355)	1	
-43	2126532	. . DRUM, Rudder trim tab (18355)	2	
-44	2074406-5-6-12200	. . CABLE ASSY, Swaged type, 1/16-in. dia (control lock	1	
		. . release) (18355)		
-45	2074406-5-6-11028	. . CABLE ASSY, Swaged type, 1/16-in. dia (control lock	1	
		. . lock) (18355)		
		. . (ATTACHING PARTS)		
	AN320-3	. . NUT	2	
-46	AN23-10	. . BOLT	2	
		----*----		
	26-9226-20	. . CABLE ASSY, Dual controls (rudder nose left)	1	
	26-9226-22	. . CABLE ASSY, Dual controls (rudder nose right)	1	
-47	AN669-6RH	. . TERMINAL	1	
	26-9267-1	. . END ASSY, Ball bearing swaged-type cable	1	
-48	AN200KP4	. . BEARING	1	
-49	26-9267-3	. . END	1	
-50	26-9226-21	. . CABLE, 3/16 dia x 104.0 (used on 26-9226-20)	1	
-51	26-9226-23	. . CABLE, 3/16 dia x 125.0 (used on 26-9226-22)	1	
-52	2074409-7-10-11410	. . CABLE ASSY, Swaged type, 5/32 dia (LH elev nose down)	1	
-53	2074409-7-10-11524	. . CABLE ASSY, Swaged type, 5/32 dia (RH elev nose down)	1	
		. . (ATTACHING PARTS FOR INDEX 53 AND 54)		
	AN320-4	. . NUT	2	
	AN24-21	. . SCREW	2	
		----*----		
-54	2153837-2	. . CABLE ASSY, Swaged type, 5/32 dia (elev nose up)	2	
-55	26-0027-1	. . FLIGHT CONTROL INSTL, Fuselage sta 474 (for details	NP	
		. . see fig. 76)		

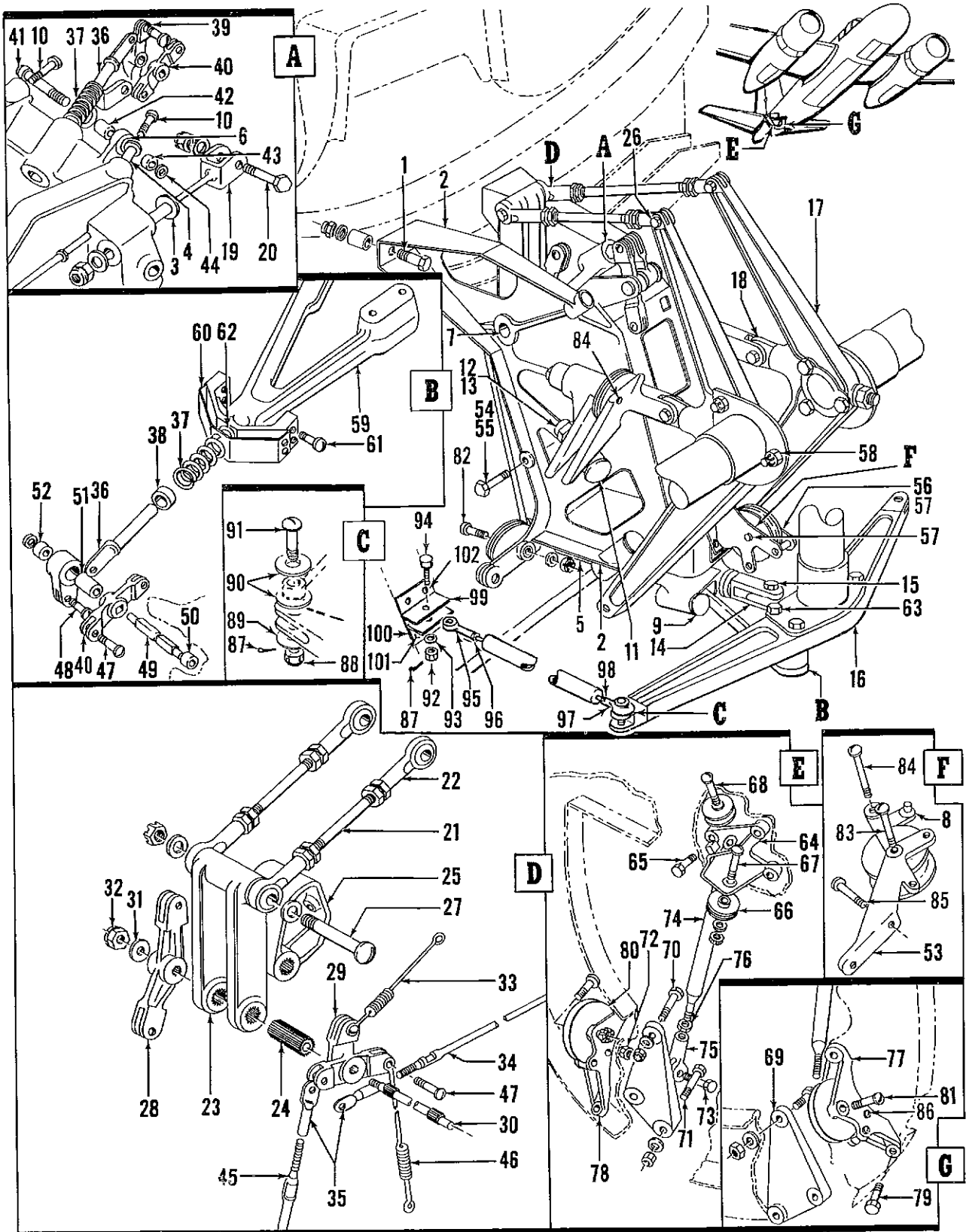


Figure 76. Fuselage Sta. 474 Flight Control Installation

Section II
Group Assembly Parts List

T.O. 1B-26K-4

FIG. AND INDEX NO.	PART NUMBER	DESCRIPTION	UNITS PER ASSY	USABLE ON CODE
76-	26-0027	FLIGHT CONTROL INSTL, Fuselage sta 474 (altered from 5191282 (18355)) (for NHA see fig. 75)	REF	
	5191283	. MECHANISM ASSY, Fuselage flight control (18355) (ATTACHING PARTS)	1	
	MS20365-428	. NUT	2	
	AN960-416L	. WASHER	AR	
	AN960D416	. WASHER	2	
	1127610	. *----- SPACER, Fuselage instl bolt (18355) (ATTACHING PARTS)	2	
-1	AN4-31A	. BOLT	2	
		. *-----		
-2	5191250 SUPPORT ASSY, Fuselage flight control (18355)	1	
-3	1125988 BUSHING, Control horn hinge (18355)	3	
-4	1125993 BUSHING, Horn stop (18355)	6	
-5	1143076 BUSHING, Surface lock (18355)	2	
-6	F503-6 BEARING, Oilite (70417)	1	
-7	A741-1 BEARING, Oilite (70417)	1	
-8	1109566-2-8 PIN, Cable guard (18355)	4	
-9	1059606-4-27 STOP ASSY, Fine threaded, elastic covered (18355)	2	
-10	1059606-4-24 STOP ASSY, Fine threaded, elastic covered (18355)	2	
-11	1059606-4-33 STOP ASSY, Fine threaded, elastic covered (18355)	2	
-12	AN316-4R NUT	6	
-13	MS20365-428 NUT	6	
-14	2126658 CLEVIS, Rudder horn hinge support (18355)	1	
-15	AN310-6 NUT	1	
	5191359 HORN ASSY, Rudder control (18355)	1	
	5191360 HORN ASSY, Elevator control (18355)	2	
-16	5191359-2 HORN (18355)	1	
-17	5191360-2 HORN (18355)	2	
-18	AN207D5 BEARING	3	
-19	2126659 CLEVIS, Elevator horn hinge support (18355)	2	
	MS20365-624 NUT	2	
-20	AN5-14 BOLT	3	
	124682-6S12-065 WASHER (18355)	3	
	AN310-5 NUT	3	
	2126665 ROD ASSY, Elevator interconnection (18355)	2	
-21	2126665-2 ROD, Elevator interconnection (18355)	1	
	AN316-6R NUT	2	
-22	ARE5 END, Rod (77896)	2	
	4127433 LINK ASSY, Elevator interconnection idler (18355)	1	
-23	4127430 LINK, Elevator interconnection idler (18355)	1	
-24	1127600 BEARING, Elevator idler link (18355)	1	
-25	2126662 CAM, Elevator surface lock (18355)	1	
-26	AN5-21 BOLT	2	
	143908-010S104-062 WASHER (18355)	2	
	AN310-5 NUT	2	
-27	AN25-56 BOLT	1	
	143908-010S104-062 WASHER (18355)	2	
	AN320-5 NUT	1	
-28	2129327 BELLCRANK, Surface lock actuating (18355)	1	
-29	2126663 CRANK, Control surface lock actuating (18355)	1	
-30	2129266 SHAFT, Elevator idler link (18355)	1	
-31	143908-010S104-062 WASHER (18355)	1	
-32	AN310-5 NUT	1	
-33	1125981-2 SPRING, Control surface lock tension (18355)	1	
-34	1127601 ROD, Elevator surface lock (18355)	1	
-35	1127602 EYE, Special 8-36 female thread (18355)	2	
-36	1125983 BOLT, Control surface locking (18355)	2	
-37	1125982 SPRING, Control surface lock, compression (18355)	2	
-38	1127607 SPACER, Control surface locking bolt (18355)	2	
-39	1125998 LEVER, Elevator surface lock actuating (18355)	2	
-40	1125995 LEVER, Surface lock actuating idler (18355)	2	
-41	1127604 SHAFT ASSY, Elevator surface lock (18355)	1	
-42	1127606 SPACER, Elevator lock bearing (18355)	1	
-43	1127605 SPACER, Surface lock bearing (18355)	2	
-44	124682-4S10-062 WASHER (18355)	2	

FIG. AND INDEX NO.	PART NUMBER	DESCRIPTION	UNITS PER ASSY	USABLE ON CODE
76-45	1159579	ROD, Rudder surface lock (18355)	1	
-46	1125981-3	SPRING, Control surface lock tension (18355)	1	
	AN310-3	NUT	10	
-47	AN23-9	BOLT	8	
-48	AN23-10	BOLT	2	
-49	1127608	SHAFT ASSY, Rudder surface lock (18355)	1	
	1127605	SPACER, Surface lock bearing (18355)	1	
-50	124682-4S10-062	WASHER (18355)	1	
-51	2033901-7S359-106	SPACER (18355)	1	
-52	1127605	SPACER, Surface lock bearing (18355)	2	
-53	3208268	BRACKET ASSY, Fuselage elevator trim tab, upper, LH (18355)	1	
	3208268-1	BRACKET ASSY, Fuselage elevator trim tab, upper, RH (18355) (ATTACHING PARTS)	1	
	MS20365-1032	NUT	4	
	AN960D10	WASHER	4	
-54	AN3-10A	BOLT	2	
-55	AN3-13A	BOLT	2	
		-----*		
-56	2193605	BRACKET ASSY, Rudder trim pulley (18355) (ATTACHING PARTS)	1	
	MS20365-1032	NUT	4	
	AN960D10	WASHER	4	
-57	AN3-7A	BOLT	4	
		-----*		
	AN310-4	NUT	6	
	AN960D416	WASHER	6	
-58	AN4-15	BOLT	6	
-59	5159550	HORN ASSY, Rudder surface lock (18355)	1	
-60	1125994	STRIP, Rudder surface lock rub (18355)	1	
-61	AN500A6-5	SCREW	4	
-62	1128701	BUSHING, Rudder surface lock (18355)	1	
	MS24665-2-2	PIN	1	
	AN310-4	NUT	4	
	AN960D416	WASHER	4	
-63	AN4-27	BOLT	4	
-64	4129584	BRACKET, Fuselage control lock pulley (18355) (ATTACHING PARTS)	1	
	MS20365-1032	NUT	3	
	AN960D10	WASHER	3	
-65	AN3-11A	BOLT	3	
		-----*		
-66	AN210-1A	PULLEY	2	
	MS24665-2-2	PIN	1	
	AN320-3	NUT	2	
	AN960D10	WASHER	2	
	124682-3S16-062	WASHER (18355)	2	
-67	AN23-14	BOLT	1	
-68	AN23-16	BOLT	1	
-69	4190392	BRACKET ASSY, Rod attachment, LH (18355)	1	
	4190392-1	BRACKET ASSY, Rod attachment, RH (18355) (ATTACHING PARTS)	1	
	MS20365-1032	NUT	6	
	AN960-10L	WASHER	6	
-70	AN3-10A	BOLT	2	
-71	AN3-13A	BOLT	4	
		-----*		
	2159581	ROD ASSY, Fuselage flight control support (18355) (ATTACHING PARTS)	2	
-72	MS20365-524	NUT	2	
	AN960-516L	WASHER	2	
-73	AN5-7A	BOLT	2	
		-----*		
-74	2159581-4	ROD ASSY, Fuselage flight control, support (18355)	2	
-75	1127609	CLEVIS, Special thread, 5/16-in.(18355)	1	
-76	AN316-5R	NUT	1	
-77	4208269	BRACKET, Fuselage elevator trim tab LH (18355)	1	

Section II
Group Assembly Parts List

T.O. 1B-26K-4

FIG. AND INDEX NO.	PART NUMBER	DESCRIPTION	UNITS PER ASSY	USABLE ON CODE
76-78	4208269-1	. BRACKET, Fuselage elevator trim tab, RH (18355) (ATTACHING PARTS)	1	
	MS20365-1032	. NUT	4	
	AN960D10	. WASHER	4	
-79	AN3-7A	. BOLT	4	
		-----*		
-80	AN210-2A	. PULLEY (ATTACHING PARTS)	10	
	MS24665-2-2	. PIN	13	
	AN320-3	. NUT	2	
	AN960-10L	. WASHER	2	
-81	AN23-20	. BOLT	2	
	AN320-3	. NUT	2	
	124682-3S16-062	. WASHER (18355)	2	
	AN960D10	. WASHER	2	
	AN960C10	. WASHER	2	
-82	AN23-22	. BOLT	2	
	AN320-3	. NUT	5	
	AN960D10	. WASHER	5	
-83	AN23-19	. BOLT	2	
-84	AN23-32	. BOLT	2	
-85	AN23-17	. BOLT	1	
		-----*		
-86	143358-027	. PIN, Pulley guard, plain (18355)	4	
	26-0133	. BUNGEE ASSY, Rudder	1	
-87	MS24665-2-2	. PIN	2	
-88	AN320-4	. NUT	1	
-89	AN960-416	. WASHER	1	
-90	AN970-416	. WASHER	2	
-91	AN24-38	. BOLT	1	
-92	AN320-3	. NUT	1	
-93	AN960-10	. WASHER	1	
-94	AN23-15	. BOLT	1	
	26-0132	. BUNGEE ASSY	1	
-95	AN943-3	. ROD END	1	
-96	AN316-4R	. NUT	1	
-97	AN943-4	. ROD END	1	
-98	AN316-5R	. NUT	1	
-99	26-0133-1	. BRACKET, Bungee	1	
-100	26-0133-2	. BRACKET, Bungee (ATTACHING PARTS FOR INDEX 99 AND 100)	1	
	MS20365-1032A	. NUT	2	
	AN960-10	. WASHER	2	
-101	AN3-12A	. BOLT	2	
	MS20365-428A	. NUT	2	
	AN960-416	. WASHER	2	
-102	AN4-12A	. BOLT	2	
		-----*		

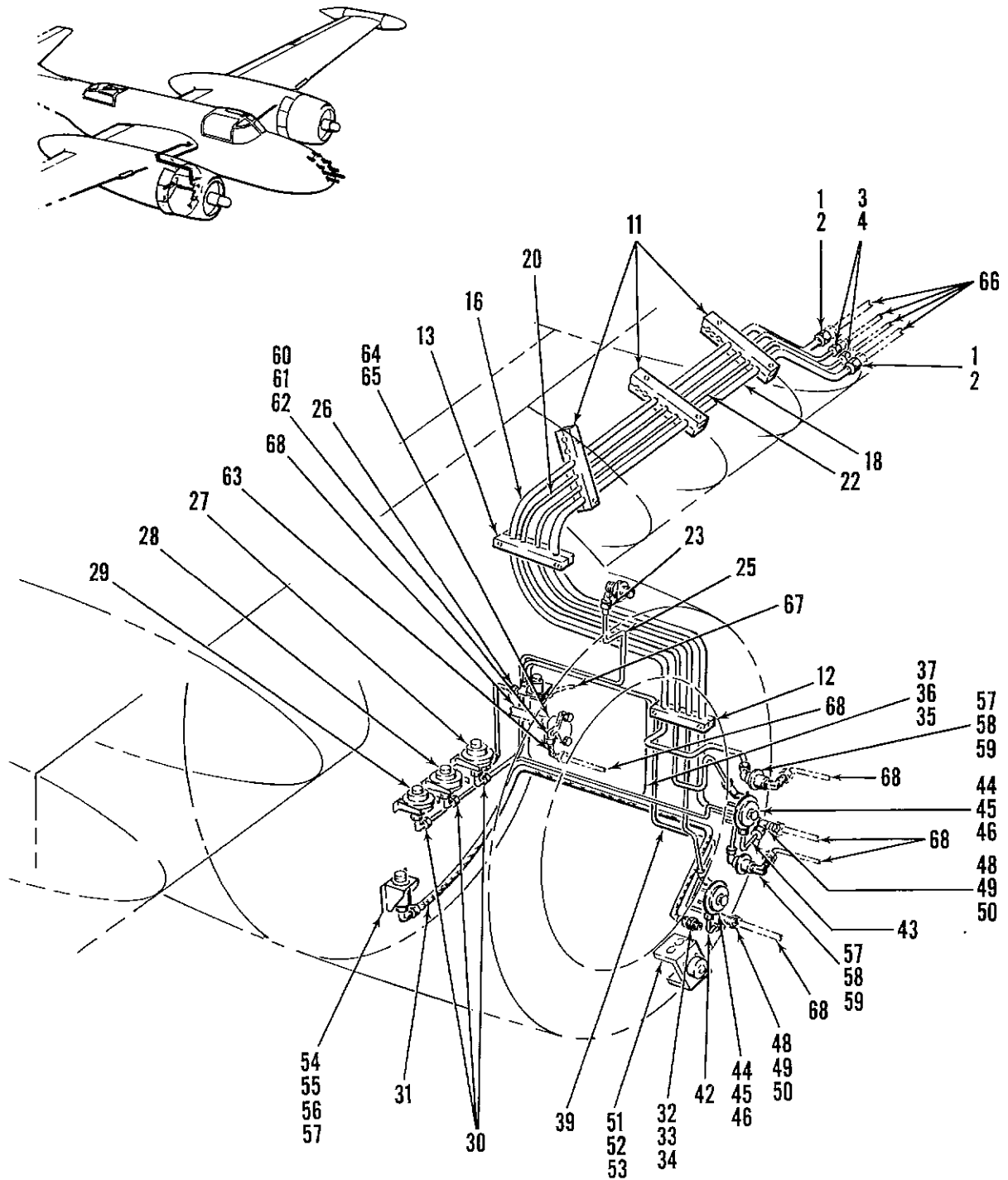


Figure 77. LH and RH Wing Instrumentation Installations (Sheet 1 of 2)

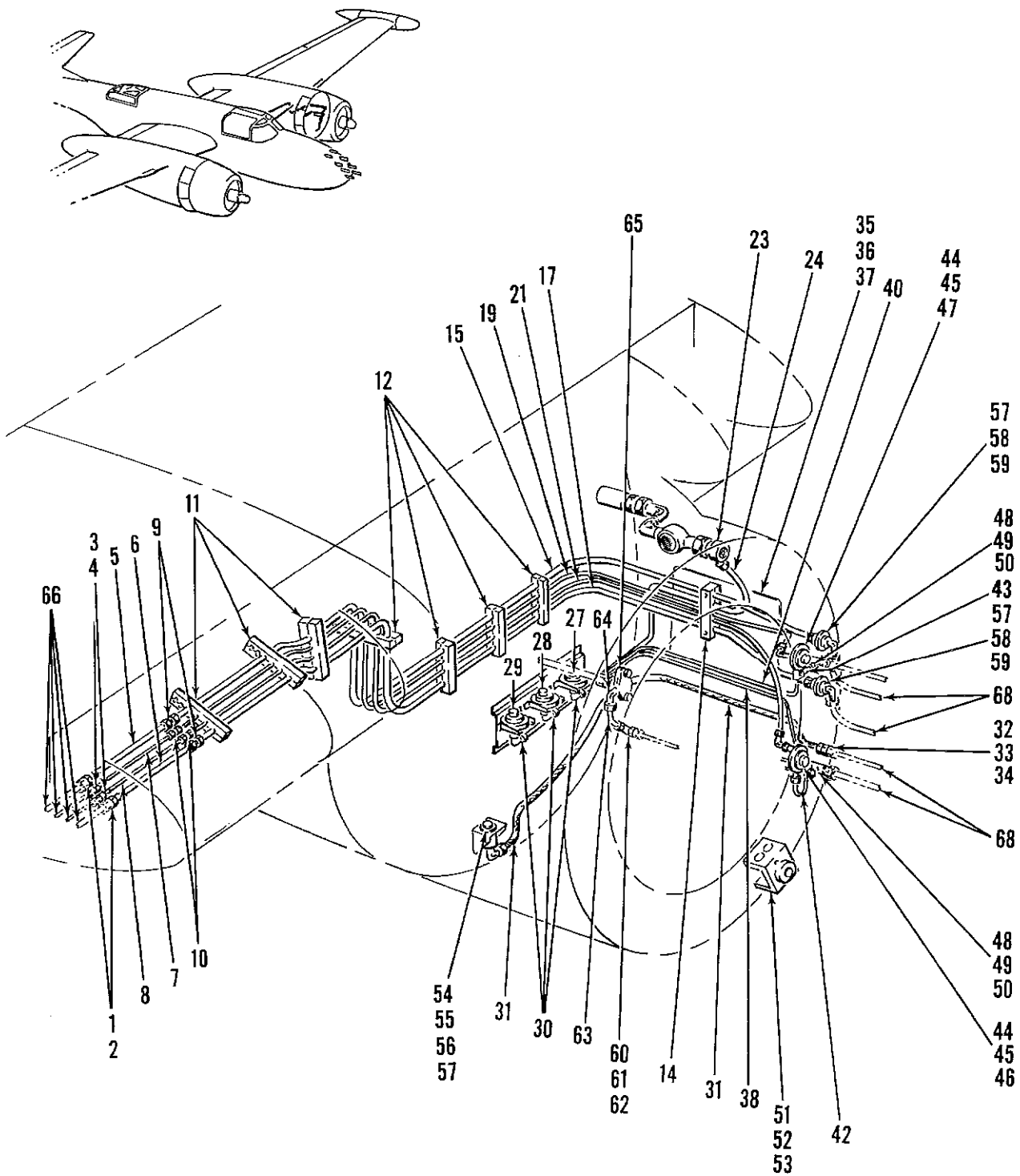


Figure 77. LH and RH Wing Instrumentation Installations (Sheet 2 of 2)

FIG. AND INDEX NO.	PART NUMBER	DESCRIPTION	UNITS PER ASSY	USABLE ON CODE
77-	26-9650-1	INSTRUMENTATION INSTL. Wing, LH (for NHA see fig. 3)	REF	
	26-9650-2	INSTRUMENTATION INSTL. Wing, RH (for NHA see fig. 3)	REF	
-1	AN815-4D	. UNION	2	
-2	AN960-716	. WASHER	4	
-3	AN815-2D	. UNION	2	
-4	AN960-416	. WASHER	4	
-5	26-9650-16	. TUBE ASSY, (LH only)	1	
-6	26-6007-153	. TUBE ASSY, (LH only)	1	
	AN818-4D	. NUT	4	
	MS20819-4D	. SLEEVE	4	
-7	26-6008-110	. TUBE ASSY, (LH only)	1	
-8	26-6007-148	. TUBE ASSY, (LH only)	1	
	AN818-2D	. NUT	4	
	MS20819-2D	. SLEEVE	4	
-9	AN815-4D	. UNION (LH only)	2	
-10	AN815-2D	. UNION (LH only)	2	
-11	2192765	. CLAMP ASSY, Bonded block (18355) (ATTACHING PARTS)	3	
	NAS601-24P	. SCREW	6	
	AN960-6	. WASHER	6	
		-----*		
-12	26-6012-1	. SUPPORT ASSY, Tubing (LH only)	4	
	26-6012-1	. SUPPORT ASSY, Tubing (RH only)	1	
-13	26-6013-1	. SUPPORT ASSY, Tubing (RH only)	1	
-14	26-6011-1	. SUPPORT ASSY, Tubing (LH only)	1	
-15	26-9650-18	. TUBE ASSY, (LH only)	1	
-16	26-9650-24	. TUBE ASSY, (RH only)	1	
-17	26-6007-155	. TUBE ASSY, (LH only)	1	
-18	26-6007-160	. TUBE ASSY, (RH only)	1	
	AN818-4D	. NUT	8	
	MS20819-4D	. SLEEVE	8	
-19	26-6008-108	. TUBE ASSY, (LH only)	1	
-20	26-6008-116	. TUBE ASSY, (RH only)	1	
-21	26-6007-150	. TUBE ASSY, (LH only)	1	
-22	26-6007-159	. TUBE ASSY, (RH only)	1	
	AN818-2D	. NUT	8	
	MS20819-2D	. SLEEVE	8	
-23	26-9650-40	. FITTING ASSY (Altered from AN815-16D and MS20823-4D)	1	
-24	26-9650-21	. TUBE ASSY, (LH only)	1	
-25	26-9650-23	. TUBE ASSY, (RH only)	1	
	AN818-4D	. NUT	4	
	MS20819-4D	. SLEEVE	4	
-26	MS20826-4D	. TEE (RH only)	1	
-27	32V20	. SWITCH ASSY, Vacuum press. warning (09049) (alt M410EG10A67 (81818))	1	
-28	1G143	. SWITCH ASSY, Oil press. warning (09049) (alt M410EG32A66 (81818))	1	
-29	1G142	. SWITCH ASSY, Fuel press. warning (09049) (alt M410EG10A1 (81818)) (ATTACHING PARTS FOR ITEMS 27, 28 and 29)	1	
	AN526-1032R10	. SCREW	6	
		-----*		
-30	MS20822-4D	. ELBOW	3	
-31	26-9650-22	. HOSE ASSY, Rubber	1	
-32	AN924-4	. NUT	1	
-33	AN960-716	. WASHER	2	
-34	AN832-4	. UNION	1	
-35	26-8111-25	. SUPPORT ASSY (LH only)	1	
	26-8111-26	. SUPPORT ASSY (RH only) (ATTACHING PARTS)	1	
-36	AN3-5A	. BOLT	4	
-37	AN526-1032-8	. SCREW	4	
	AN960D10	. WASHER	8	
		-----*		

Section II
Group Assembly Parts List

T.O. 1B-26K-4

FIG. AND INDEX NO.	PART NUMBER	DESCRIPTION	UNITS PER ASSY	USABLE ON CODE
77-38	26-6007-132	. TUBE ASSY, (LH only)	1	
-39	26-6007-157	. TUBE ASSY, (RH only)	1	
-40	26-6008-104	. TUBE ASSY, (LH only)	1	
-41	26-6008-114	. TUBE ASSY, (RH only)	1	
-42	26-6007-133	. TUBE ASSY	1	
-43	26-6008-112	. TUBE ASSY	1	
	AN818-4D	. NUT	16	
	MS20819-4D	. SLEEVE	16	
-44	AN5765-1	. TRANSMITTER ASSY, Fuel and oil pressure (for details see T. O. 5P5-3-2-1)	2	
-45	AN816-4	. NIPPLE	2	
-46	MS20823-2D	. ELBOW (LH only)	1	
	MS20823-2D	. ELBOW (RH only)	2	
-47	MS20822-2D	. ELBOW (LH only)	1	
-48	AN924-4	. NUT	2	
-49	AN960-716	. WASHER	4	
-50	AN804-4	. TEE	2	
-51	9054-5A	. TRANSMITTER ASSY, Fuel flowmeter (19315) (ATTACHING PARTS)	1	
	MS20365-832	. NUT	3	
	J2049-2D	. WASHER (76005)	3	
	AN3-10A	. BOLT	3	
		-----*-----		
-52	26-8111-17	. BRACKET ASSY	1	
-53	150PL18	. MOUNT, Resilient (76005) (ATTACHING PARTS)	3	
	AN3-4A	. BOLT	6	
		-----*-----		
-54	ST2G	. TRANSMITTER ASSY, Press. (BMEP)(61349) (for details see T. O. 5P5-3-35-1) (ATTACHING PARTS)	1	
	AN4-7	. BOLT	4	
		-----*-----		
-55	100PL1	. MOUNT, Resilient (76005)	4	
-56	26-8111-11	. BRACKET ASSY, BMEP Transmitter (ATTACHING PARTS)	1	
	NAS220-13	. BOLT	4	
	J2049-2D	. WASHER (76005)	4	
		-----*-----		
-57	MS20823-4D	. ELBOW	4	
-58	MS20822-4	. ELBOW	2	
-59	1066151	. COUPLING (18355) (ATTACHING PARTS)	2	
	MS20365-440	. NUT	10	
	AN960-4	. WASHER	10	
	AN515-4-7	. SCREW	10	
		-----*-----		
-60	AN924-4	. NUT	1	
-61	AN960-716	. WASHER	2	
-62	AN833-4	. ELBOW	1	
-63	26-9650-20	. TUBE ASSY, Metal	1	
-64	MS20822-4D	. ELBOW	1	
-65	22005-4A1-1	. TRANSMITTER ASSY, Water press. (19315) (for details see T. O. 5P3-4-16-14) (ATTACHING PARTS)	1	
	MS20365-428	. NUT	2	
	AN960-416	. WASHER	2	
	AN4-10A	. BOLT	2	
		-----*-----		
-66		INSTRUMENT INSTL, Fuselage (see fig. 78)	REF	
-67		WATER INJECTION SYSTEM INSTL (see fig. 14)	REF	
-68		FOR CONTINUATION SEE T. O. 1B-26K-10	REF	

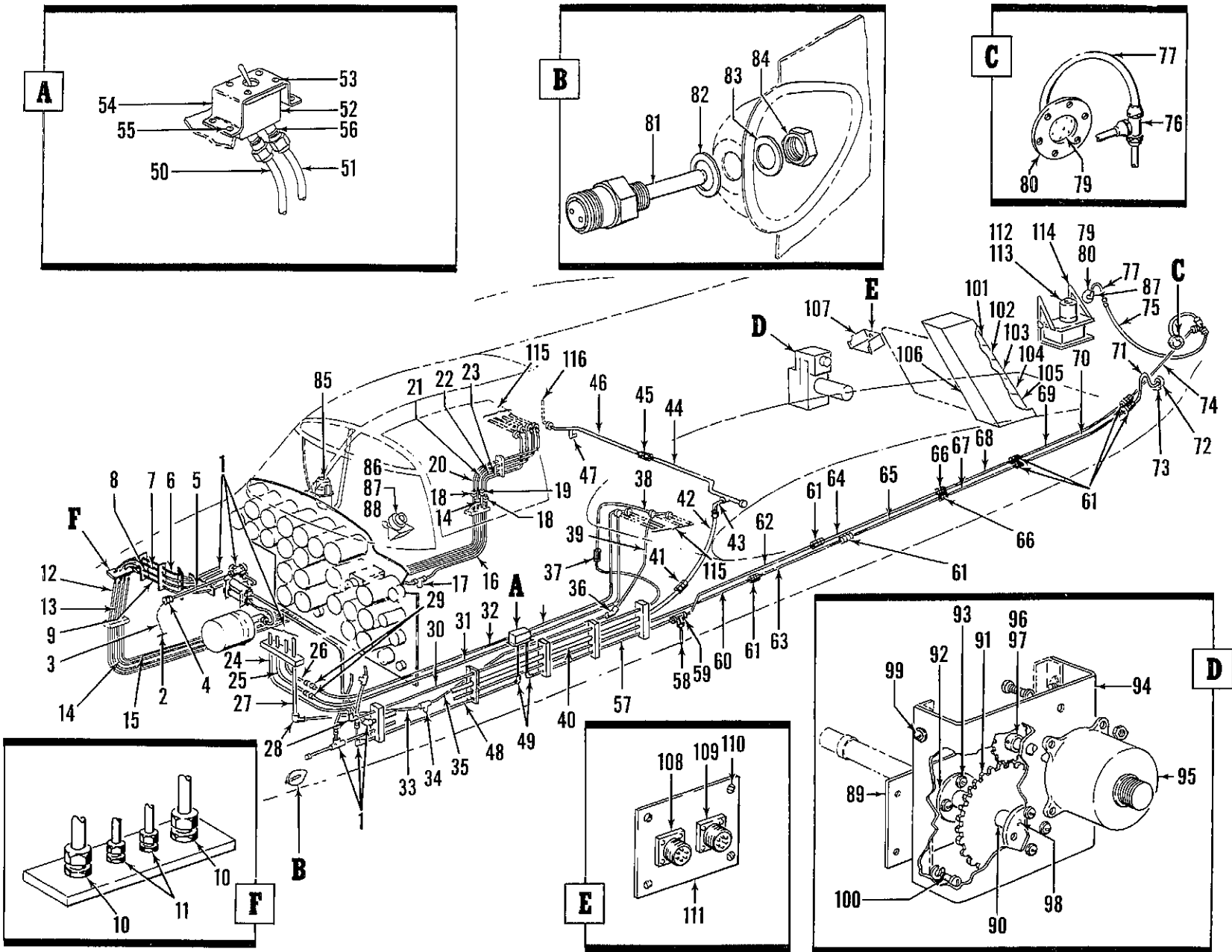


Figure 78. Fuselage Section Instrument Installation

T.O. 1B-26K-4 Section II Group Assembly Parts List

Section II
Group Assembly Parts List

T.O. 1B-26K-4

FIG. AND INDEX NO.	PART NUMBER	DESCRIPTION	UNITS PER ASSY	USABLE ON CODE
78-	26-9651	INSTRUMENT INSTL, Fuselage section (altered from 5208214 and . . . 5207534 (18355)) (for NHA see fig. 4)	REF	
-1	26-9652-1	. INSTRUMENT INSTL, Pilots compartment (for details see fig.80) .	1	
-2	AN416-2	. PIN	1	
-3	COML	. CHAIN, Weldless, size 00	AR	
-4	AN929A6D	. CAP	1	
-5	26-9651-3	. TUBE	1	
-6	5195445-68	. TUBE ASSY (18355)	1	
-7	5195445-92	. TUBE ASSY (18355)	1	
-8	5195445-102	. TUBE ASSY (18355)	1	
-9	5195445-74	. TUBE ASSY (18355)	1	
-10	AN832-4D	. UNION	2	
	AN924-4D	. NUT	2	
	MS28778-4	. PACKING	2	
-11	AN832-2D	. UNION	2	
	AN924-2D	. NUT	2	
	MS28778-2	. PACKING	2	
-12	5195445-72	. TUBE ASSY (18355)	1	
-13	5195445-138	. TUBE ASSY (18355)	1	
-14	5195445-136	. TUBE ASSY (18355)	1	
-15	5195445-66	. TUBE ASSY (18355)	1	
-16	5195445-118	. TUBE ASSY (18355)	1	
-17	AN824-4D	. TEE	1	
	AN929-4D	. CAP	1	
-18	AN815-4D	. UNION	2	
-19	AN815-2D	. UNION	2	
-20	5195445-124	. TUBE ASSY (18355)	1	
-21	5195445-128	. TUBE ASSY (18355)	1	
-22	5195445-126	. TUBE ASSY (18355)	1	
-23	5195445-130	. TUBE ASSY (18355)	1	
-24	5195445-82	. TUBE ASSY (18355)	1	
-25	5195445-110	. TUBE ASSY (18355)	1	
-26	5195445-106	. TUBE ASSY (18355)	1	
-27	5195445-90	. TUBE ASSY (18355)	1	
-28	AN833-4D	. ELBOW	2	
-29	AN815-2D	. UNION	2	
-30	5195445-80	. TUBE ASSY (18355)	1	
-31	5195445-142	. TUBE ASSY (18355)	1	
-32	5195445-140	. TUBE ASSY (18355)	1	
-33	5195445-88	. TUBE ASSY (18355)	1	
-34	AN824-4D	. TEE	1	
-35	5195445-86	. TUBE ASSY (18355)	1	
-36	AN833-4D	. ELBOW	1	
-37	AN815-4D	. UNION	1	
-38	5195445-76	. TUBE ASSY (18355)	1	
-39	5195445-84	. TUBE ASSY (18355)	1	
-40	26-9651-5	. TUBE	1	
-41	AN815-12D	. UNION	1	
-42	26-9651-7	. TUBE	1	
-43	MS20822-12D	. ELBOW	1	
-44	26-9651-9	. TUBE	1	
-45	AN815-16D	. UNION	1	
-46	26-9651-11	. TUBE	1	
-47	MS20822-8D	. ELBOW	1	
-48	5195445-146	. TUBE ASSY (18355)	1	
-49	AN833-4D	. ELBOW	2	
-50	5195445-148	. TUBE ASSY (18355)	1	
-51	5195445-150	. TUBE ASSY (18355)	1	
	5207834	. VALVE INSTL, Static press, selector (18355)	1	
-52	AN5831-1	. VALVE (ATTACHING PARTS)	1	
-53	AN515-6-10 SCREW	4	
	AN960D6L WASHER	4	
		-----*		
-54	4207835 BRACKET, Static press selector valve (18355) (ATTACHING PARTS)	1	
	A1181-6Z1 NUT, Self-locking, hexagon (18355)	4	
	AN960-6 WASHER	4	
-55	AN530-6R10 SCREW	4	
		-----*		

FIG. AND INDEX NO.	PART NUMBER	DESCRIPTION	UNITS PER ASSY	USABLE ON CODE		
					1	2
78-56	AN824-4D	. . . TEE	2			
-57	5195445-144	. . . TUBE ASSY (18355)	1			
-58	5195445-168	. . . TUBE ASSY (18355)	1			
-59	AN824-4D	. . . TEE	1			
-60	5195445-28	. . . TUBE ASSY (18355)	1			
-61	AN815-4D	. . . UNION	7			
-62	5195445-52	. . . TUBE ASSY (18355)	1			
-63	5195445-116	. . . TUBE ASSY (18355)	1			
-64	5195445-54	. . . TUBE ASSY (18355)	1			
-65	5195445-34	. . . TUBE ASSY (18355)	1			
-66	AN832-4D	. . . UNION	2			
-67	5195445-36	. . . TUBE ASSY (18355)	1			
-68	5195445-56	. . . TUBE ASSY (18355)	1			
-69	5195445-58	. . . TUBE ASSY (18355)	1			
-70	5195445-38	. . . TUBE ASSY (18355)	1			
-71	26-9651-15	. . . HOSE ASSY (ALT AN6290-4-14)	1			
	26-1751-1	. . . BRACKET INSTL. Vgh provisions	NP			
-72	75G32	. . . SWITCH, Pressure (Custom Component Switches Inc., Chatsworth, Calif) (ATTACHING PARTS)	1			
	MS20365-1032	. . . NUT	3			
	AN960-10	. . . WASHER	3			
		-----*				
-73	26-1751-5	. . . BRACKET, Pressure switch mounting (ATTACHING PARTS)	1			
	MS20365-1032	. . . NUT	4			
	AN960-10	. . . WASHER	4			
	AN3-6A	. . . BOLT	3			
	AN3-10A	. . . BOLT	1			
		-----*				
-74	2155106-8	. . . TUBE ASSY (18355)	1			
-75	26-9651-13	. . . TUBE	1			
-76	AN824-4D	. . . TEE	1			
-77	AN6270-4	. . . HOSE ASSY	2			
-78	MS20823-4D	. . . ELBOW	2			
-79	42A13995	. . . TUBE, Static pressure (GFE)	1			
-80	42A11521	. . . PLATE, Static pressure tube reinforcing (GFE)	1			
	5195537	. . . TEMPERATURE BULB INSTL	NP			
-81	AN5525-1	. . . BULB, Thermometer	1			
-82	143908-020D100-032	. . . WASHER (18355)	1			
-83	143908-018SR104-093	. . . WASHER (18355)	1			
-84	MS20365-1018	. . . NUT	1			
-85	C2400L4VT	. . . COMPASS, Magnetic, pilot's standby, type MB-1 (70214) (for details see T.O. 5N3-3-2-1)	1			
	5207782	. . . DRIFTMETER INSTL (18355)	1			
-86	NO NUMBER	. . . DRIFTMETER, Type B5 (19315) (for details see T.O. 5N7-3-2-1)	1			
-87	4207728	. . . BRACKET ASSY, Driftmeter (18355)	1			
-88	980W5-13	. . . STUD (78189)	4			
	98-5CP	. . . PIN (78189)	4			
	5206588	. . . TRANSMITTER INSTL, Wing flap position (18355)	1			
-89	2206589	. . . SUPPORT, Transmitter drive shaft bushing (18355)	1			
-90	1206591	. . . SHAFT, Transmitter drive (18355)	1			
-91	2209011	. . . GEAR, Transmitter (18355)	1			
-92	2206592	. . . BUSHING, Transmitter (18355)	1			
	MS20365-440	. . . NUT	4			
-93	AN515-4-6	. . . SCREW	4			
	4206593	. . . COVER ASSY, Transmitter (18355)	1			
-94	4206594	. . . COVER	1			
-95	8TJ9PAV	. . . TRANSMITTER (24446) (for details see T.O. 5P3-3-1-44)	1			
-96	2209010	. . . GEAR, Transmitter (18355)	1			
-97	AN565D6-3	. . . SETSCREW	2			
-98	2206595	. . . BEARING, Transmitter	1			
-99	AN530-8-6	. . . SCREW	4			
	AN960D6L	. . . WASHER	4			
-100	AN503-10-8	. . . SCREW	4			
	AN935-10L	. . . WASHER	4			

Section II
Group Assembly Parts List

T.O. 1B-26K-4

FIG. AND INDEX NO.	PART NUMBER	DESCRIPTION	UNITS PER ASSY	USABLE ON CODE
78-	26-10018-1	. INSTRUMENT INSTL, Camera control, fus sta 253.69	NP	
-101	26-2660-5	. . . PANEL (KA56)	1	
-102	26-2660-7	. . . PANEL (F477 primary)	1	
-103	26-2660-9	. . . PANEL (F477 secondary)	1	
-104	26-2660-13	. . . PANEL (K2)	1	
-105	26-2660-11	. . . PANEL (K38)	1	
-106	26-2660-1	. . . PANEL ASSY, Camera console (ATTACHING PARTS)	1	
	MS20365-832	. . . NUT	10	
	AN960-8	. . . WASHER	10	
	AN509-8R9	. . . SCREW	10	
	MS20365-1032	. . . NUT	8	
	AN960-10	. . . WASHER	8	
	AN3-5A	. . . BOLT -----*	8	
-107	26-2745	. . . BRACKET ASSY, Control panel, A6 ejector (ATTACHING PARTS)	1	
	MS20365-1032A	. . . NUT	7	
	AN960-10	. . . WASHER	7	
	AN3-4A	. . . BOLT -----*	7	
-108	2182-7	. . . RECEPTACLE, Dummy (71468)	1	
-109	2182-4	. . . RECEPTACLE, Dummy (71468)	1	
-110	PFSC3-1-2-38	. . . FASTENER (72794)	4	
-111	26-2745-2	. . . PANEL	1	
	26-4642-1	. . . K4B AND GYRO INSTL	NP	
-112	673447	. . . COMPASS SYSTEM, Slaved gyro magnetic, type J1 (gyroscope compass model C2) (07187) (for details see T.O. 5N1-2-1-34) (ATTACHING PARTS)	1	
	MS20365-428	. . . NUT	6	
	AN960-416L	. . . WASHER	6	
-113	736329-2	. . . VIBRATION ISOLATOR (07187)	3	
	MS20365-1032	. . . NUT	4	
	AN960-10	. . . WASHER	8	
	NAS221-10	. . . SCREW -----*	4	
-114	103324-01	. . . RACK, Gyro amplifier (03851)	1	
-115		. WING INSTRUMENT INSTL (See fig. 77)	REF	
-116		. ANTI-ICING INSTL (See fig. 16)	REF	

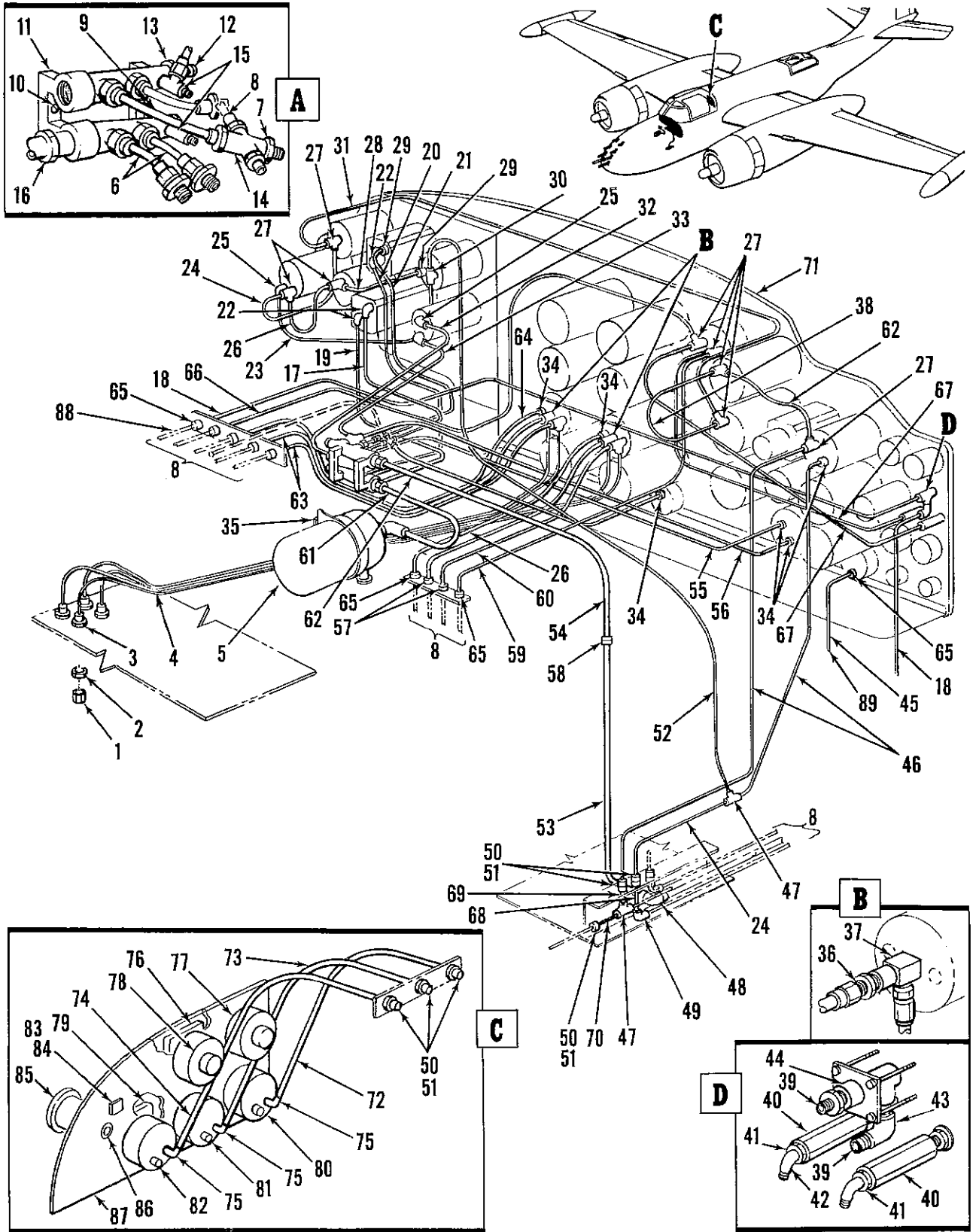


Figure 79. Pilots Compartment Instrument Installation

Section II
Group Assembly Parts List

T.O. 1B-26K-4

FIG. AND INDEX NO.	PART NUMBER	DESCRIPTION 1 2 3 4 5 6 7	UNITS PER ASSY	USABLE ON CODE
79-	26-9652-1	INSTRUMENT INSTL, Pilot's compartment (for NHA see fig. 78)	REF	
-1	AN929-2D	. CAP	4	
-2	AN924-2D	. NUT	4	
-3	AN837-2D	. ELBOW	4	
-4	AN6270-2-38	. HOSE ASSEMBLY	4	
-5	27300	. FILTER, Air (for details see T.O. 6R2-14-3)	1	
-6	26-9653-4	. TUBE ASSY	2	
-7	AN815-6D	. UNION	11	
-8		. FUSELAGE SECTION INSTRUMENT INSTL (See fig. 78)	REF	
-9	26-9653-5	. TUBE ASSY	2	
	4154193	. MANIFOLD ASSY, Fuselage instrument vacuum (18355) (ATTACHING PARTS)	1	
	MS20365-1032	. NUT	2	
-10	AN520-10-12	. SCREW	2	
		----*----		
-11	4154193-2	. . MANIFOLD, Fuselage instrument vacuum (18355)	1	
-12	38A6136	. . NEEDLE, Instrument vacuum control valve adjusting (18355)	1	
-13	38A6135	. . NUT, Instrument vacuum control valve lock (18355)	1	
-14	AN918-6D	. CROSS	1	
-15	AN824-6D	. TEE	2	
-16	AN816-12D	. NIPPLE	2	
-17	AN6270-6-30	. HOSE ASSY	1	
-18	AN6270-4-27	. HOSE ASSY	2	
-19	AN6270-6-34-1-2	. HOSE ASSY	1	
-20	AN6270-6-35	. HOSE ASSY	1	
-21	AN6270-6-36	. HOSE ASSY	1	
-22	MS20822-6D	. ELBOW	3	
-23	AN6270-4-21	. HOSE ASSY	1	
-24	AN6270-4-8-1-2	. HOSE ASSY	2	
-25	MS20822-4D	. ELBOW	3	
-26	AN6270-4-25	. HOSE ASSY	2	
-27	MS20826-4D	. TEE	8	
-28	AN6270-4-14-1-2	. HOSE ASSEMBLY	1	
-29	AN816-6D	. NIPPLE	2	
-30	MS20825-4D	. TEE	1	
-31	AN6270-4-59	. HOSE ASSY	1	
-32	AN6270-4-33-1-2	. HOSE ASSY	1	
-33	AN6270-4-32-1-2	. HOSE ASSY	1	
-34	AN816-4D	. NIPPLE	6	
-35	26-9517-1	. CLIP, Instrument lines, sta 8 (ATTACHING PARTS)	1	
	MS20365-1032	. NUT	2	
	AN960-10	. WASHER	2	
	AN526-1032R4	. SCREW	2	
		----*----		
-36	AN816-2	. NIPPLE	4	
-37	AN5765-3	. GAGE FITTING AND BLEED CHECK VALVE	4	
-38	AN6270-4-8-1-2	. HOSE ASSEMBLY	1	
-39	AN816-2D	. NIPPLE	1	
-40	4896W1700-18E	. VALVE, Purge (79318)	2	
-41	AN912-2D	. BUSHING	2	
-42	MS20823-2D	. ELBOW	2	
-43	MS20822-2D	. UNION	1	
-44	12306	. VALVE (00502) (ATTACHING PARTS)	1	
	AN515B6R16	. SCREW	4	
		----*----		
-45	MS28759-4-18-1-2	. HOSE ASSY	1	
-46	AN6270-4-20	. HOSE ASSY	2	
-47	AN824-4D	. TEE	2	
-48	AN829-12D	. ELBOW	1	
-49	AN821-12D	. ELBOW	1	
-50	AN924-4D	. NUT	6	
-51	AN832-4D	. UNION	6	
-52	AN6270-4-69	. HOSE ASSY	1	
-53	26-9653-1	. TUBE ASSY	1	
-54	26-9653-3	. TUBE ASSY	1	

FIG. AND INDEX NO.	PART NUMBER	DESCRIPTION	UNITS PER ASSY	USABLE ON CODE
79-55	AN6270-2-19-1-2	. HOSE ASSY	1	
-56	AN6270-2-20-1-2	. HOSE ASSEMBLY	1	
-57	AN815-2D	. UNION	2	
-58	AN815-12D	. UNION	1	
-59	AN6270-4-18-3-4	. HOSE ASSY	1	
-60	AN6270-2-25	. HOSE ASSY	2	
-61	26-9653-2	. TUBE ASSY	1	
-62	AN6270-4-10-1-2	. HOSE ASSY	2	
-63	AN6270-2-19	. HOSE ASSY	2	
-64	AN6270-4-19	. HOSE ASSY	1	
-65	AN815-4D	. UNION	8	
-66	AN6270-4-24	. HOSE ASSY	1	
-67	AN6270-4-32-1-2	. HOSE ASSY	2	
-68	26-9653-7	. TUBE ASSY	1	
-69	26-9653-8	. TUBE ASSY	1	
-70	26-9653-9	. TUBE ASSY	1	
-71	26-5600-1	. PANEL INSTL, Main instrument (for details see fig. 80)	1	
-72	MS28759-4-12	. HOSE ASSY	1	
-73	AN6270-4-13	. HOSE ASSY	1	
-74	MS28759-4-14	. HOSE ASSY	1	
-75	AN821-4D	. ELBOW	3	
	26-5602-400	. PANEL ASSY, Pilots aft instrument, fus sta 90 (ATTACHING PARTS)	1	
	A8943-632-24J	. CLIP (60380)	20	
	AN507-1032R6	. SCREW	20	
	AN507B8R8	. SCREW	4	
		----*----		
-76	B4755C	. LIGHT, Eyebrow (72914) (ATTACHING PARTS)	2	
	AN507B6R14	. SCREW	4	
		----*----		
-77	26-5033-1	. INDICATOR ASSY, ADI Quantity (altered from 8DJ20ADC (24446))	1	
-78	26-5034-1	. INDICATOR, Ferry tank fuel (altered from 8DJ20ACY (24446)) (ATTACHING PARTS)	1	
	AN515B6R12	. SCREW	4	
		----*----		
-79	B4750C	. LIGHT, Eyebrow (72914) (ATTACHING PARTS)	3	
	AN507B6R14	. SCREW	6	
		----*----		
-80	26-5035-1	. INDICATOR, Emergency air pressure (altered from AN5771-4)	1	
-81	26-5037-1	. INDICATOR, De-icer pressure (altered from AN5771-8)	1	
-82	26-5036-1	. INDICATOR, Gun charger air pressure (altered from AN5771-4) (ATTACHING PARTS)	1	
	AN515B6R12	. SCREW	6	
		----*----		
-83	MS25226-2-2	. BUS	1	
-84	MS25123-1-2	. TERMINAL BOARD (ATTACHING PARTS)	1	
	MS20365-440	. NUT	2	
	AN507B4R4	. SCREW	2	
		----*----		
-85	MS25222-1	. SIGNAL, Emergency warning (ATTACHING PARTS)	1	
	MS20365-832	. NUT	3	
	AN960-8	. WASHER	6	
	AN5268R10	. SCREW	3	
		----*----		
-86	AN931A4-7	. GROMMET	1	
-87	26-5602-1	. PANEL	1	
-88		. ANTI-ICING SYSTEM INSTL (See fig. 16)	REF	
-89		. WINDSHIELD WIPER INSTL (See fig. 22)	REF	

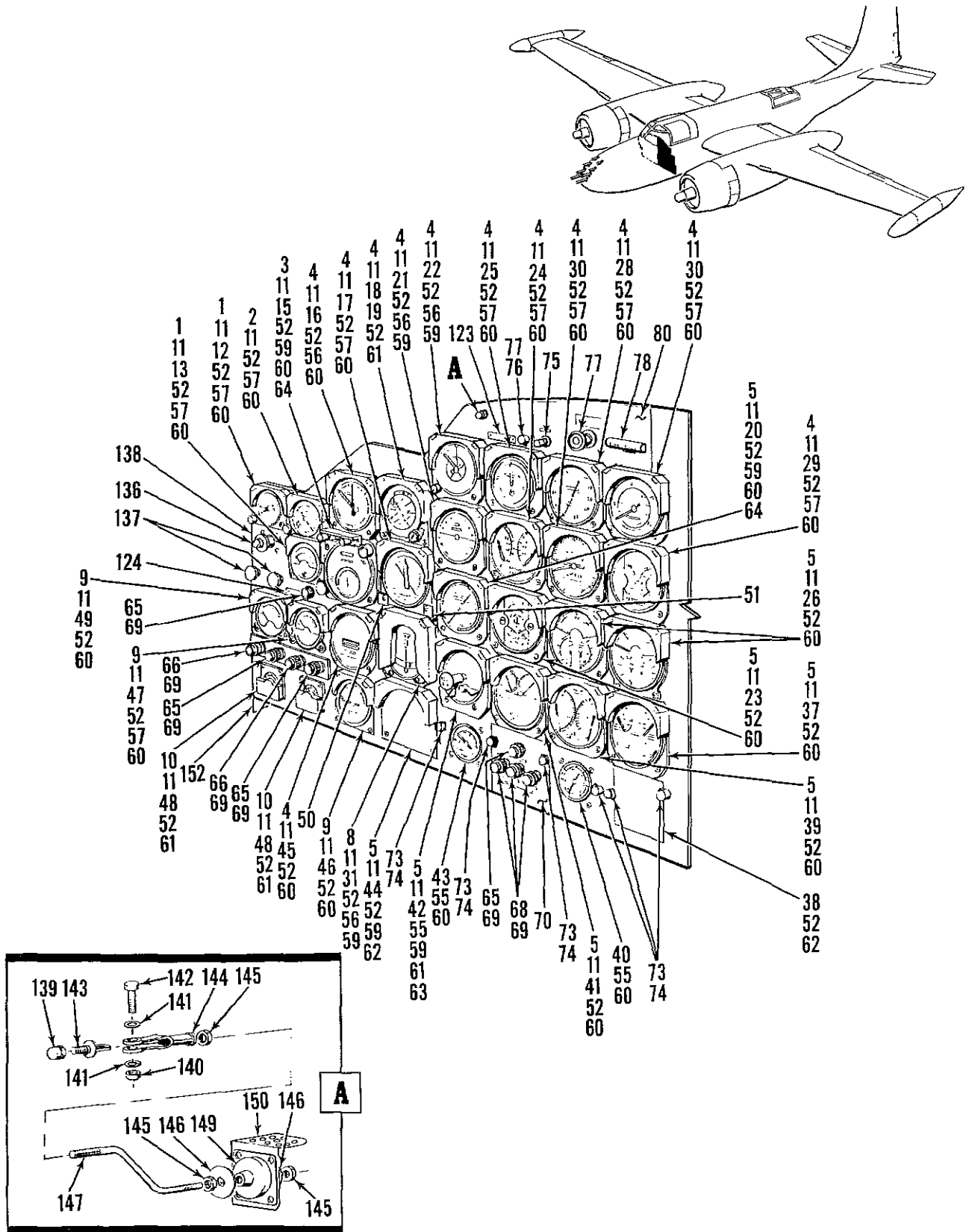


Figure 80. Main Instrument Panel Installation (Sheet 1 of 2)

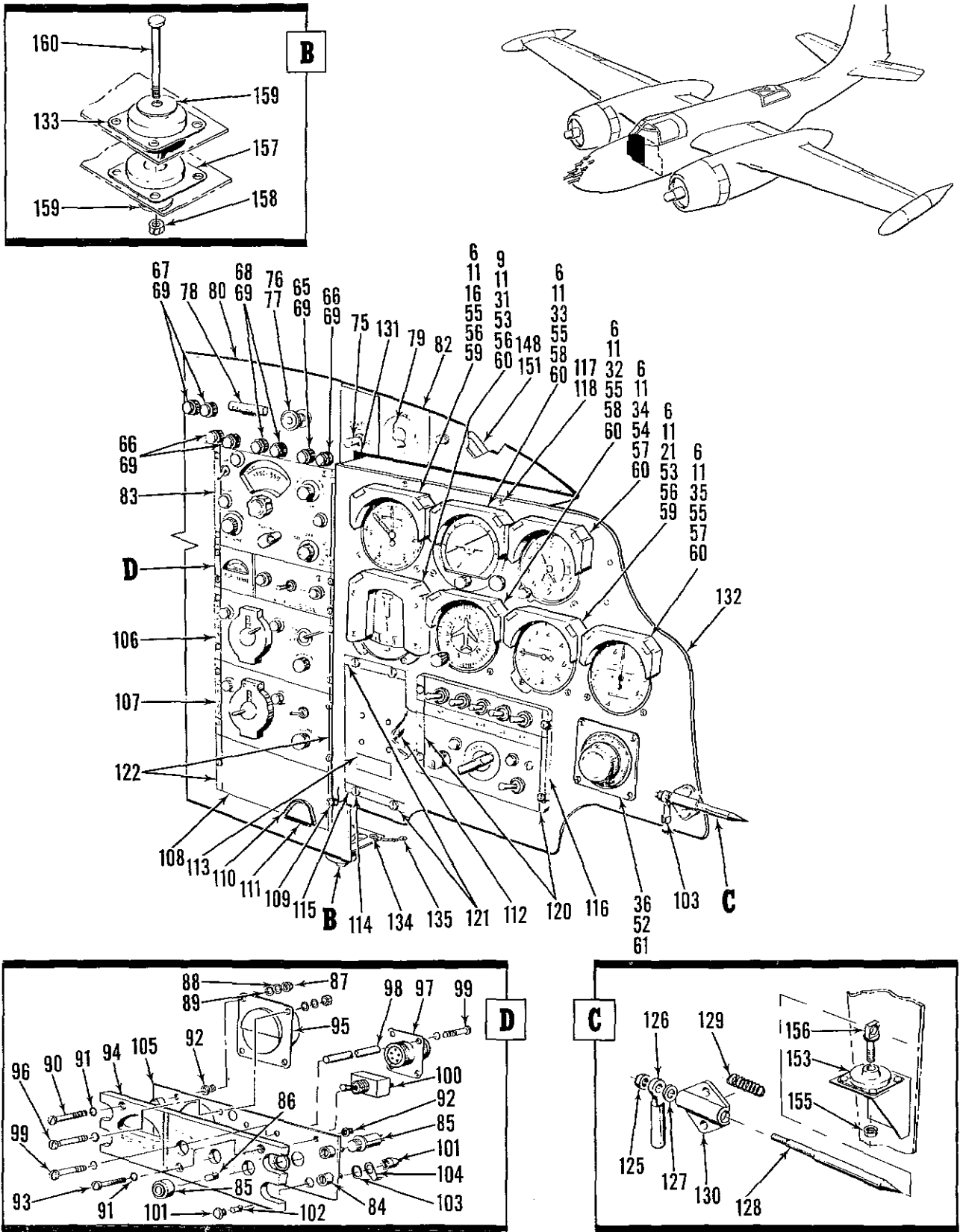


Figure 80. Main Instrument Panel Installation (Sheet 2 of 2)

Section II
Group Assembly Parts List

T.O. 1B-26K-4

FIG. AND INDEX NO.	PART NUMBER	DESCRIPTION	UNITS PER ASSY	USABLE ON CODE
80-	26-5600-1	PANEL INSTL, Main instrument (for NHA see fig. 79)	REF	
	26-5600-400	. . . PANEL ASSY, Main instrument	1	
-1	B4750C	. . . LIGHT, Panel, eyebrow, clear (72914)	2	
-2	B4752C	. . . LIGHT, Panel, eyebrow, clear (72914)	1	
-3	B4796C	. . . LIGHT, Panel, eyebrow, clear (72914)	1	
-4	B4755C	. . . LIGHT, Panel, eyebrow, clear (72914)	11	
-5	B4855C	. . . LIGHT, Panel, eyebrow, clear (72914)	10	
-6	B4755-1C	. . . LIGHT, Panel, eyebrow, clear (72914)	6	
-7	B4766-1C	. . . LIGHT, Panel, eyebrow, clear (72914)	1	
-8	B4766C	. . . LIGHT, Panel, eyebrow, clear (72914)	1	
-9	B4850C	. . . LIGHT, Panel, eyebrow, clear (72914)	3	
-10	B4888C	. . . LIGHT, Panel, eyebrow, clear (72914)	2	
-11	MS25237-327	. . . LAMP	76	
-12	3419-5AA1	. . . ACCELEROMETER, Electrical, linear (19315) (05229 Spec 26-5002-1)	1	
-13	AN5790-6	. . . INDICATOR, Temperature, outside air (05229 Spec 26-5004-1) (for details see T.O. 5E6-3-9-3)	1	
-14	AN5743T1A	. . . CLOCK, Aircraft (05229 Spec 26-5003-1) (for details see T.O. 5N11-2-1-31) (alt AN5743T2)	1	
-15	ID351/ARN	. . . INDICATOR, Course (VOR/ILS) (05229 Spec 26-5009-1) (for details see T.O. 12R5-2ARN204)	1	
-16	1214DX8-05(L7A)	. . . INDICATOR, Airspeed (89944) (05229 Spec 26-5008-1) (for details see T.O. 5F8-2-3-1)	2	
-17	ID250/ARN	. . . INDICATOR, Course (RMI) (05229 Spec 26-5010-1) (for details see T.O. AN16-351D250-3)	1	
-18	114756-01	. . . GYROSCOPE, Attitude, type MM2 (07690) (05229 Spec 26-5012-1)	1	
-19	26-5600-47	. . . BRACKET, Gyroscope (ATTACHING PARTS)	1	
	AN507B632R4	. . . SCREW ----*----	2	
-20	ID307/ARN	. . . INDICATOR, Tacan azimuth (05229 Spec 26-5017-1) (altered from 7000-1A1A1 (19315))	1	
-21	AN5825-7	. . . INDICATOR, Rate of climb (05229 Spec 26-5016-1) (for details see T.O. 5F8-9-3-1)	2	
-22	D22061-04-004	. . . ALTIMETER, 0-80, 000 feet (89944) (05229 Spec 26-5015-3)	1	
-23	AN5536T2A	. . . INDICATOR, Temperature, thermocouple (05229 Spec 26-5024-1) (for details see T.O. 5E6-3-6-31)	1	
-24	21000-50-4A1	. . . INDICATOR, Water injection pressure (19315) (05229 Spec 26-5023-1)	1	
-25	AN5770-2-12	. . . INDICATOR, Manifold pressure (05229 Spec 26-5022-1) (for details see T.O. 5P2-2-3-1)	1	
-26	AN5773-2	. . . GAGE UNIT, Engine (05229 Spec 26-5027-1) (for details see T.O. 5E4-3-1)	2	
-27	6300A49A14-4A	. . . INDICATOR, Dual autosyn, BMEP (19315) (05229 Spec 26-5039-1)	1	
-28	AN5530-2-12	. . . INDICATOR, Electric tachometer, aircraft (05229 Spec 26-5025-1) (for details see T.O. 5E5-3-1-33)	1	
-29	AN5795-6	. . . INDICATOR, Carburetor air temperature (05229 Spec 26-5031-1) (for details see T.O. 5E6-3-9-3)	1	
-30	6300B4B14A1	. . . INDICATOR, Fuel flow (19315) (05229 Spec 26-5029-1) (for details see T.O. 5P3-1-31) (alt 6007-38-7A (19315))	1	
-31	AN5820-1	. . . INDICATOR, Turn and bank, type A11 (05229 Spec 26-5014-1) (for details see T.O. 5F8-4-2-1) (alt AN5820-4)	2	
-32	213-1	. . . INDICATOR, Directional gyro, type AIM200 (13044)	1	
-33	256-20	. . . INDICATOR, Horizontal reference, type AIM500 (13044)	1	
-34	671BK010 (C12)	. . . ALTIMETER, 0-80, 000 feet (89944) (05229 Spec 26-5015-1) (for details see T.O. 5F3-4-2-1)	1	
-35	1297C8-05	. . . INDICATOR, True air speed (89944) (05229 Spec 26-5032-1) (for details see T.O. 5F8-2-10-3)	1	
-36	1116-30	. . . INTERVALOMETER, Camera B9A (00048) (GFE) (for details see T.O. 10A5-6-6-1)	1	
-37	8DJ20ADD	. . . INDICATOR, Fuel quantity, right wing (02295) (05229 Spec 26-5019-1) (for details see T.O. 5L6-4-2-13) (alt 8DJ20AAD (02295))	1	
-38	26-5600-20	. . . PLATE, Cover	1	

FIG. AND INDEX NO.	PART NUMBER	DESCRIPTION	UNITS PER ASSY	USABLE ON CODE
80-39	8DJ20ADC	. . INDICATOR, Fuel quantity, main tanks (02295) (05229 Spec 26-5020-1) (for details see T.O. 5L6-4-2-11)	1	
-40	AN5771-5A	. . INDICATOR, Suction (05229 Spec 26-5028-1) (for details see T.O. 5P2-2-1-31)	1	
-41	8DJ20ADD	. . INDICATOR, Fuel quantity, left wing (02295) (05229 Spec 26-5018-1) (for details see T.O. 5L6-4-2-13) (alt 8DJ20AAD (02295))	1	
-42	A802CDSB	. . SWITCH, Lock, ignition (86547)	1	
-43	8DJ11PEA	. . INDICATOR, Wing flap position (02295) (05229 Spec 26-5021-1) . . (for details see T.O. 5P3-1-43)	1	
-44	26-5600-23	. . PLATE, Cover	1	
-45	ID310/ARN	. . INDICATOR, Tacan range (05229 Spec 26-5013-1)	1	
-46	AN5771-4	. . INDICATOR, Hydraulic pressure (05229 Spec 26-5028-1) (for details see T.O. 5P2-2-1-31)	1	
-47	AN3203V30	. . VOLTMETER, DC (05229 Spec 26-5006-1) (for details see T.O. 5M1-4-3-23)	1	
-48	MS25025-1	. . LOADMETER, DC, aircraft (05229 Spec 26-5007-1)	2	
-49	AN3202-1	. . VOLTMETER, AC (05229 Spec 26-5005-1) (for details see T.O. 5M1-4-2-3)	1	
-50	26-5600-33	. . PLATE, Identification, ADF	1	
-51	26-5600-32	. . PLATE, Identification, VOR (ATTACHING PARTS FOR ITEMS 1 THRU 51)	1	
-52	NAS487-15	. . NUT	120	
-53	NAS487-17	. . NUT	7	
-54	NAS487-18	. . NUT	3	
-55	NAS487-20	. . NUT	25	
-56	AN507B632R20	. . SCREW	14	
-57	AN507B632R16	. . SCREW	27	
-58	AN507B632R12	. . SCREW	4	
-59	AN515B6R20	. . SCREW	14	
-60	AN515B6R16	. . SCREW	72	
-61	AN515B6R12	. . SCREW	18	
-62	AN515B6R8	. . SCREW	6	
		-----*		
-63	NAS42DD4-22	. . SPACER	4	
-64	NAS42DD6-8	. . SPACER	3	
-65	MS25041-2	. . LIGHT, Indicator, red	6	
-66	MS25041-4	. . LIGHT, Indicator, amber	4	
-67	MS25041-10	. . LIGHT, Indicator, blue	2	
-68	MS25041-3	. . LIGHT, Indicator, green	5	
-69	MS25237-327	. . LAMP, Incandescent (3 used as spares)	20	
-70	26-5600-25	. . PANEL, Engraved, landing gear warning	1	
-71	26-5600-29	. . PANEL, Engraved, generator overheat	1	
-72	A2953	. . LAMPHOLDER, Spare lamps (72914)	1	
-73	A5299C24	. . LIGHT, Panel (72914)	6	
-74	334	. . LAMP, Incandescent (72914) (2 used as spares)	8	
-75	ITL1-1A	. . SWITCH, Sensitive (91929)	2	
-76	5008-2	. . SWITCH, Push-pull (81896)	2	
-77	229	. . BUSS BAR (81896)	2	
-78	E801-3M3	. . HANDLE, Pull, firewall shut-off (Avionics Instrument and Repair Corp., Burbank, Calif.) (ATTACHING PARTS)	2	
	NAS220R9	. . SCREW	4	
		-----*		
-79	FYLD317	. . RHEOSTAT, Heater temp control (05624)	1	
-80	26-5600-26	. . PANEL, Engraved, feather button	1	
-81	26-5600-27	. . PANEL, Engraved, prop rev	1	
-82	26-5600-28	. . PANEL, Engraved	1	
-83	C1514/ARN-6	. . CONTROL HEAD, ADF (GFE) (for details see T.O. 12R5-2ARN6-2)	1	
-84	26-4613-400	. . PANEL ASSY, Selector, navigation system	1	
-84	PFSC3-1/2-38	. . FASTENER, Turnlock (71286)	4	
-85	MS25041-1	. . LIGHT, Indicator, clear	2	
-86	MS25237-327	. . LAMP, Incandescent	2	
-87	AN340C6	. . NUT	1	

Section II
Group Assembly Parts List

T.O. 1B-26K-4

FIG. AND INDEX NO.	PART NUMBER	DESCRIPTION							UNITS PER ASSY	USABLE ON CODE	
		1	2	3	4	5	6	7			
80-88	AN935-6	WASHER	1	
-89	AN960C6L	WASHER	1	
-90	AN500AD6-10	SCREW	1	
-91	AN6227B1	PACKING	3	
-92	K7001-06-04	NUT, Drive (72962)	2	
-93	AN500AD6-6	SCREW	2	
-94	26-4613-1	PANEL, Engraved	1	
-95	59.3001	METER, Direction finder (16688)	1	
		(ATTACHING PARTS)		
	AN340C4	NUT	3	
	AN935-4	WASHER	3	
	AN960C4L	WASHER	3	
-96	AN508-4-10	SCREW	3	
		-----*		
-97	MS3102A20-33P	CONNECTOR	1	
-98	26-4613-5	SPACER, Threaded	4	
		(ATTACHING PARTS FOR ITEMS 97 AND 98)		
-99	AN515-4R6	SCREW	8	
	AN935-4	WASHER	8	
		-----*		
-100	MS25059-3	SWITCH, Toggle	1	
-101	855S1-9U	LIGHT, Indicator (08717)	2	
-102	MS25237-327	LAMP	2	
-103	855025	WASHER, Insulating (08717)	2	
-104	855049	LUG, Terminal (08717)	2	
-105	26-4613-3	PANEL, Mounting	1	
-106	C1763/ARN-21	CONTROL HEAD, Tacan (GFE) (for details see T.O. 12R5-2ARN-21-4)	1	
-107	C760B/ARN-14	CONTROL HEAD, VOR (GFE) (for details see T.O. 12R5-2ARN-14-14)	1	
-108	26-5600-16	PANEL, Blank	1	
-109	PFSC3-1/2-38	FASTENER, Turnlock (71286)	2	
-110	G51H-B	STRIP, Grommet (03296)	AR	
-111	G51H-C	STRIP, Grommet (03296)	AR	
	26-3601-1	PANEL ASSY, Camera, forward oblique	1	
-112	CA2182-6	CONNECTOR (71468)	1	
		(ATTACHING PARTS)		
	MS20365-440	NUT	4	
	AN960-4L	WASHER	4	
	AN515-4R6	SCREW	4	
		-----*		
-113	26-1028-13	DECAL, Identification	1	
-114	PFSC3-1/2-38	FASTENER, Turnlock (71286)	4	
-115	26-3601-3	PANEL, Mounting	1	
-116	C824A/AIC-10	CONTROL BOX, Interphone (GFE) (for details see T.O. 12R2-2A1C10-4)	1	
-117	D101-421	STUD, Saber (78553)	2	
-118	A1663-017-1	CLIP, Spring, saber (78553)	2	
		(ATTACHING PARTS)		
	AN5096R5	SCREW	2	
	AN935-6	WASHER	2	
		-----*		
-119	4437	CLIP, Fuse (71400)	1	
		(ATTACHING PARTS)		
	MS20365-832	NUT	1	
	AN960-8	WASHER	1	
	NAS220-8	SCREW	1	
		-----*		
-120	26-5600-14	STRIP, Fastener (make from PR3-1/2-1X4 (72794))	2	
-121	26-5600-18	STRIP, Fastener (make from PR3-1/2-1X3 (72794))	2	
-122	26-5600-15	STRIP, Fastener (make from PR3-1/2-1X16 (72794))	2	
-123	26-5600-30	PLATE, Identification, spare bulb	1	
-124	26-5600-31	PLATE, Identification, inverter fail	1	
		(ATTACHING PARTS FOR ITEMS 123 AND 124)		
	MS24622-5	SCREW	4	
		-----*		

FIG. AND INDEX NO.	PART NUMBER	DESCRIPTION	UNITS PER ASSY	USABLE ON CODE
80-	26-5631-1	. . . LATCH ASSY (ATTACHING PARTS)	1	
	MS20365-1032	. . . NUT	2	
	AN960-10	. . . WASHER	2	
	NAS221-10	. . . SCREW	2	
		-----*		
-125	22K1-02	. . . NUT, Plain, cap (72962)	1	
-126	26-5632-1	. . . HANDLE	1	
-127	AN960-10	. . . WASHER	1	
-128	26-5633-1	. . . PIN, Latch	1	
-129	2207992	. . . SPRING, Helical, compression (18355)	1	
-130	2207980	. . . BASE, Latch (18355)	1	
-131	26-5600-22	. . . HINGE, Continuous (make from MS20257P2)	1	
-132	26-5600-3	. . . PANEL, Side	1	
-133	150PL124	. . . MOUNT, Resilient (76005) (ATTACHING PARTS)	5	
	MS20365-832	. . . NUT	20	
	AN960-8L	. . . WASHER	40	
	NAS220-9	. . . SCREW	20	
		-----*		
-134	2607-500	. . . STUD INSTL, Ground	1	
-135	MS25083-2B	. . . JUMPER ASSY	1	
-136		. . . VALVE, Needle (see fig. 79)	REF	
-137		. . . VALVE, Purge (see fig. 79)	REF	
-138	26-5600-2	. . . PANEL, Main	1	
-139	GRC-1/4-28	. . . NUT, Plain, cap (18702)	2	
-140	MS20365-1032	. . . NUT	2	
-141	AN960-10	. . . WASHER	4	
-142	AN3-11A	. . . BOLT	2	
-143	AN43B4	. . . EYEBOLT	2	
-144	AN486-4	. . . CLEVIS, Rod end	2	
-145	MS20365-428	. . . NUT	6	
-146	J2049-2D	. . . WASHER (76005)	4	
-147	26-5600-13	. . . ROD, Support	1	
-148	26-5600-21	. . . ROD, Support	1	
-149	150PL18	. . . MOUNT, Resilient (76005) (ATTACHING PARTS)	2	
	MS20365-832	. . . NUT	8	
	AN960-6L	. . . WASHER	16	
	NAS220-9	. . . SCREW	8	
		-----*		
-150	26-5600-6L	. . . BRACKET, LH	1	
-151	26-5600-6R	. . . BRACKET, RH (ATTACHING PARTS)	1	
	MS20365-1032	. . . NUT	14	
	AN960-10	. . . WASHER	28	
	AN526-1032R10	. . . SCREW	14	
		-----*		
-152	26-5600-7	. . . BRACKET ASSY (Welded)	1	
-153	26-5600-8	. . . BRACKET ASSY (Welded) (ATTACHING PARTS FOR ITEMS 152 AND 153)	1	
	MS20365-1032	. . . NUT	7	
	AN960-10	. . . WASHER	14	
	AN3-7A	. . . BOLT (Used on -7 only)	4	
	AN3-5A	. . . BOLT (Used on -8 only)	3	
		-----*		
-154	150PL124	. . . MOUNT, Resilient (76005) (ATTACHING PARTS)	1	
	MS20365-832	. . . NUT	4	
	AN960-8L	. . . WASHER	8	
	NAS220-9	. . . SCREW	4	
		-----*		
-155	MS20365-428	. . . NUT	1	
-156	26-5634-1	. . . BLOCK ASSY, Strike (welded) (used on -8 only)	1	

**Section II
Group Assembly Parts List**

T.O. 1B-26K-4

FIG. AND INDEX NO.	PART NUMBER	DESCRIPTION 1 2 3 4 5 6 7	UNITS PER ASSY	USABLE ON CODE
80-157	150PL124	. MOUNT, Resilient (76005) (ATTACHING PARTS)	4	
	MS20365-832	. NUT	16	
	AN960-8L	. WASHER	32	
	NAS220-9	. SCREW	16	
		-----*-----		
-158	MS20365D428A	. NUT	5	
-159	J2049-2D	. WASHER (76005)	10	
-160	AN4DD22A	. BOLT	5	

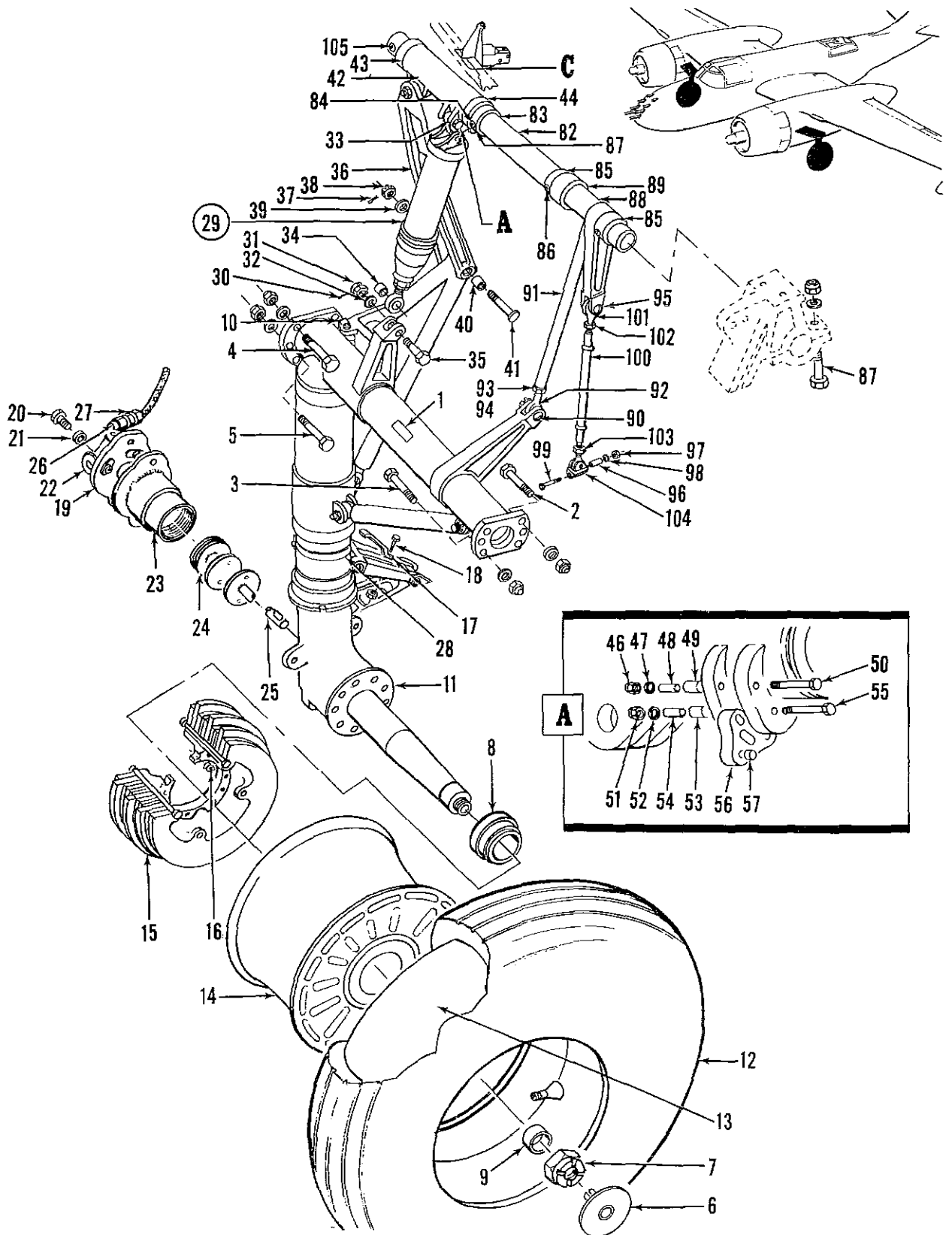


Figure 81. Main Landing Gear Installation (Sheet 1 of 2)

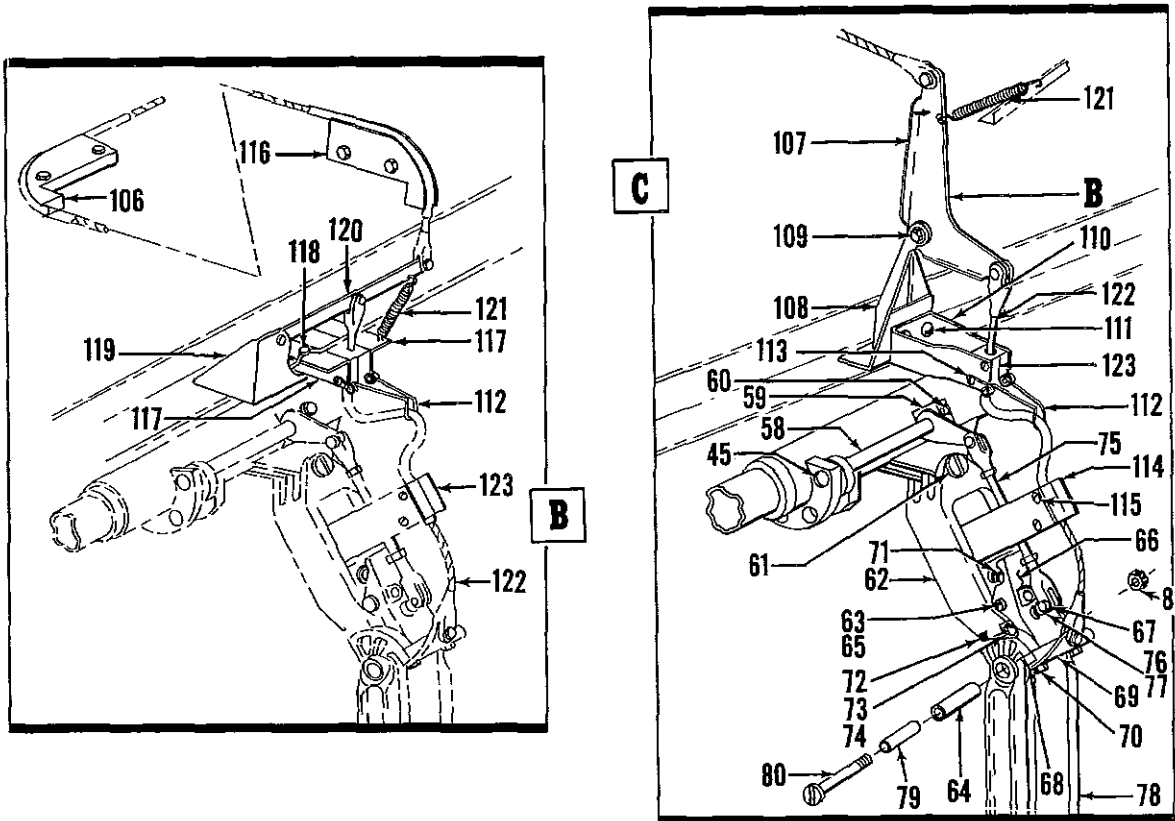


Figure 81. Main Landing Gear Installation (Sheet 2 of 2)

FIG. AND INDEX NO.	PART NUMBER	DESCRIPTION	UNITS PER ASSY							USABLE ON CODE	
			1	2	3	4	5	6	7		
81-	26-7050-1	LANDING GEAR INSTL, Main (altered from 5122370 (18355)) (for NHA see fig.2)								REF	
-1	S1152323	. PLATE, Name (18355)								2	
	26-7121-1	. GEAR ASSY, Main landing, LH (altered from 5122370 (18355))								1	
	26-7121-2	. GEAR ASSY, Main landing, RH (altered from 5122370 (18355)) (ATTACHING PARTS)								1	
	MS20365-720	. NUT								6	
	AN960-716	. WASHER								6	
-2	AN7-25A	. BOLT								4	
-3	AN7-27A	. BOLT								2	
	MS20365-820	. NUT								6	
	AN960-816	. WASHER								AR	
-4	AN8-32A	. BOLT								4	
-5	MS20008-44	. BOLT								2	
-6	26-7118 BRACKET ASSY, B26 wheel and brake (riveted)								1	
	26-7002-1 STRUT ASSY, Shock absorber, LH (altered from 5122374)								1	
	26-7002-2 STRUT ASSY, Shock absorber, RH (altered from 5122374)								1	
-7	8211A92 NUT, Wheel (07111)								1	
-8	2600004 COLLAR (06848)								1	
-9	2600005 COLLAR (06848)								1	
-10	1151086 CLIP, LH (18355)								1	
	1151086-1 CLIP, RH (18355)								1	
-11	8211DL STRUT, Shock, LH (06848)								1	
	8211DR STRUT, Shock, RH (06848)								1	
-12	NO NUMBER TIRE, Pneumatic, type III, 15.50-20, 14 ply (per Spec MIL-T-5041) (GFE)								1	
-13	NO NUMBER INNER TUBE, Type III, 15.50-20 (per Spec MIL-T-5041) (GFE)								1	

FIG. AND INDEX NO.	PART NUMBER	DESCRIPTION	UNITS PER ASSY	USABLE ON CODE
81 -14	150280-3R	. . WHEEL AND BEARING ASSY (06848) (For details see T.O. 4WT-7-520)	1	
-15	2600000-1 *1	. . BRAKE ASSY (06848) (For details see T.O. 4B1-4-243) (ATTACHING PARTS)	1	
	MS24665-4-18	. . PIN	10	
	AN310-8	. . NUT	10	
	AN960-816	. . WASHER	20	
	2278805	. . ADAPTER, Brake mounting bolt (18355)	10	
	AN8-17	. . BOLT	10	
		-----*		
-16	51103	. . PLUG, Button (61864)	2	
-17	26-7102	. . CAM, Retract release switch (ATTACHING PARTS)	1	
	MS20365-1032	. . NUT	2	
-18	AN3-7A	. . BOLT	2	
		-----*		
	26-7107-1	. . PLATE INSTL, Shuttle valve mounting, LH	1	
	26-7107-2	. . PLATE INSTL, Shuttle valve mounting, RH	1	
-19	26-7107-3	. . PLATE, Shuttle valve mounting, LH	1	
	26-7107-4	. . PLATE, Shuttle valve mounting, RH (ATTACHING PARTS)	1	
	MS20365-428	. . NUT	1	
	AN960-416	. . WASHER	6	
	AN4-17A	. . BOLT	1	
	26-7106-1	. . BOLT, Shuttle valve mounting plate (welded)	1	
		-----*		
-20	AN4-16A	. . BOLT	3	
-21	AN960-416	. . WASHER	3	
-22	4127548	. . VALVE, Shuttle (18355)	1	
-23	26-7108-1	. . ADAPTER ASSY, Wheel skid detector, LH	1	
	26-7108-2	. . ADAPTER ASSY, Wheel skid detector, RH	1	
-24	5823E1	. . DETECTOR, LH (81982) (for details see T.O. 4BA2-5-4)	1	
	5823E2	. . DETECTOR, RH (81982) (for details see T.O. 4BA2-5-4) (ATTACHING PARTS)	1	
	MS20365-428	. . NUT	2	
	AN4-4A	. . BOLT	2	
		-----*		
-25	26-7104-1	. . SHAFT ASSY, Torque (welded)	1	
-26	AN792-6	. . FITTING	2	
-27	143S2-6D	. . COUPLING (70128)	2	
-28	26-7103	. . SUPPORT ASSY, Landing gear retracting and release switch (18355) (ATTACHING PARTS)	1	
	MS20365-1032	. . NUT	2	
	AN3-15A	. . BOLT	2	
		-----*		
-29	5122377	. . CYLINDER ASSY, Main landing gear actuating (18355) (for details see fig. 82) (ATTACHING PARTS)	2	
-30	MS24665-3-3	. . PIN	4	
-31	AN310-7	. . NUT	4	
-32	AN960-716	. . WASHER	4	
-33	S177213-4375-5605-906	. . BUSHING, Needle bearing hardened (18355)	2	
-34	S177213-4375-5605-873	. . BUSHING, Needle bearing hardened (18355)	2	
-35	46A474	. . BOLT (18355)	4	
		-----*		
-36	5122378	. . LINK ASSY, Main landing gear retracting, LH (18355)	1	
	5122378-1	. . LINK ASSY, Main landing gear retracting, RH (18355) (ATTACHING PARTS)	1	
-37	MS24665-4-8	. . PIN	2	
-38	AN320-16	. . NUT	2	
-39	AN960-1616	. . WASHER	2	
-40	2276057	. . SPACER, Lower link (18355)	2	
-41	S2035884-1614-422	. . BOLT, Shear or bearing 160,000 pound (18355)	2	
		-----*		

Section II
Group Assembly Parts List

T.O. 1B-26K-4

FIG. AND INDEX NO.	PART NUMBER	DESCRIPTION	UNITS PER ASSY	USABLE ON CODE
81-	5150052	. . . SUPPORT ASSY, Upper retracting link, LH (18355)	1	
	5150052-1	. . . SUPPORT ASSY, Upper retracting link, RH (18355)	1	
-42	5150052-2	. . . SUPPORT, Upper retracting link, LH (18355)	1	
	5150052-3	. . . SUPPORT, Upper retracting link, RH (18355)	1	
-43	1127776	. . . BEARING, Upper retracting link, in board (18355)	1	
-44	1127777	. . . BEARING, Upper retracting link, outboard (18355)	1	
-45	1206386	. . . BEARING, Latch release shaft, outboard (18355)	1	
	4208082	. . . LUG ASSY, Latch release (18355) (ATTACHING PARTS)	1	
-46	AN310-6	. . . NUT	2	
-47	AN960-616	. . . WASHER	2	
-48	187048-6S58	. . . SPACER, Milled slot type (18355)	2	
-49	2208064	. . . ROLLER, Latch release (18355)	2	
-50	46A473	. . . BOLT (18355)	2	
-51	AN310-4	. . . NUT	1	
-52	AN960-416	. . . WASHER	1	
-53	1074744-4S906	. . . SPACER (18355)	1	
-54	1150563	. . . BUSHING, Flexible, latch control (18355)	1	
-55	AN4-22	. . . BOLT	1	
		----*----		
-56	4208082-2	. . . LUG, Latch release	1	
-57	116500-92028G	. . . BUSHING (18355)	1	
-58	4128179	. . . SHAFT ASSY, Latch release, LH (18355)	1	
	4128179-1	. . . SHAFT ASSY, Latch release, RH (18355)	1	
-59	1150578	. . . BEARING ASSY, Latch release shaft (18355) (ATTACHING PARTS)	1	
-60	AN502-10-22	. . . SCREW	2	
		----*----		
	1381	. . . BEARING, Durex (76462)	2	
	5128378	. . . LINK ASSY, Retracting upper (18355) (ATTACHING PARTS)	1	
	AN320-16	. . . NUT	1	
	1026614C16-301	. . . SPACER, OD bearing (18355)	1	
-61	2035884-1614-318B	. . . BOLT, Shear or bearing 160,000 pound (18355)	1	
		----*----		
-62	5128378-2	. . . LINK, Retracting upper (18355)	1	
-63	XB364-1468	. . . BEARING (04445)	1	
-64	116500-20A204G	. . . BUSHING, Bronzed, grooved (18355)	1	
	530GB482	. . . LATCH ASSY, (18355) (ATTACHING PARTS)	1	
	AN320-6	. . . NUT	1	
	AN960-616	. . . WASHER	1	
	1026614GG-116	. . . SPACER, OD bearing (18355)	1	
-65	AN26-46	. . . BOLT	1	
		----*----		
-66	530GB482-2	. . . LATCH, Main landing gear (18355)	1	
-67	131736-04C008	. . . BUSHING (18355)	1	
-68	1150582-2	. . . SHIM, Main landing gear latch cap (18355)	AR	
	1150582-4	. . . SHIM, Main landing gear latch cap (18355)	AR	
	1150582-6	. . . SHIM, Main landing gear latch cap (18355)	AR	
-69	1150564	. . . CAP, Latch (18355) (ATTACHING PARTS)	1	
-70	1150583	. . . BOLT, Latch cap (18355)	2	
		----*----		
-71	1150579	. . . SPRING, Retracting link (18355)	2	
-72	110242-6-15HP	. . . BOLT, Special, full thread (18355)	2	
-73	AN960-616	. . . WASHER	2	
-74	AN315-6R	. . . NUT	2	
-75	530GA484	. . . ROD ASSY, Short clevis end (18355)	1	
-76	MS20394-17	. . . PIN	2	
	AN960-416L	. . . WASHER	2	
-77	530GC3139	. . . BOLT, Clevis rod (18355)	1	
	MS20365-624	. . . NUT	1	
-78	5128376	. . . LINK, Lower retracting, LH (18355)	1	

FIG. AND INDEX NO.	PART NUMBER	DESCRIPTION	UNITS PER ASSY	USABLE ON CODE		
					1	2
81-	5128376-1	. . LINK, Lower retracting, RH (18355)	1			
-79	2035884-1614-420	. . BOLT, Shear or bearing 160,000 pound (18355)	1			
-80	2276057	. . SPACER, Lower link (18355)	1			
-81	AN320-16	. . NUT	1			
-82	3126972	. . SHAFT, Retracting link (18355)	2			
-83	1151350	. . COLLAR, Shaft inboard (18355)	2			
		(ATTACHING PARTS)				
	MS20365-428	. . NUT	2			
	AN960-416	. . WASHER	2			
-84	AN24-44A	. . BOLT	2			
		-----*				
-85	1151351	. . COLLAR, Main landing gear shaft outboard (18355)	4			
		(ATTACHING PARTS)				
	MS20365-428	. . NUT	4			
	AN960-416	. . WASHER	4			
-86	AN24-48A	. . BOLT	4			
		-----*				
	4151202	. . ARM ASSY, Nacelle door actuating bellcrank, LH (18355)	1			
	4151202-1	. . ARM ASSY, Nacelle door actuating bellcrank, RH (18355)	1			
		(ATTACHING PARTS)				
	MS20365-524	. . NUT	8			
	AN960-516	. . WASHER	8			
-87	AN5-10A	. . BOLT	8			
		-----*				
-88	4151202-2	. . ARM ASSY, Nacelle door actuating bellcrank, LH (18355)	1			
	4151202-3	. . ARM ASSY, Nacelle door actuating bellcrank, RH (18355)	1			
-89	2151618	. . BEARING, Bellcrank actuating (18355)	2			
	2151648	. . ROD ASSY, Bellcrank actuating (18355)	2			
		(ATTACHING PARTS)				
	MS24665-3-3	. . PIN	4			
	AN320-8	. . NUT	4			
	AN960-816	. . WASHER	4			
-90	AN28-24	. . BOLT	4			
		-----*				
-91	2151650	. . TUBE ASSY, Metal, bellcrank actuating rod (18355)	1			
-92	1151344-6	. . END ASSY, Bellcrank actuating rod (18355)	1			
	1151344-8	. . END ASSY, Bellcrank actuating rod (18355)	1			
	RBC8	. . BEARING, Needle (51588)	1			
-93	AN316-9L	. . NUT	1			
-94	AN316-9R	. . NUT	1			
	2151647	. . ROD ASSY, Nacelle outboard door actuating (18355)	2			
		(ATTACHING PARTS)				
	MS24665-2-3	. . PIN	2			
	AN320-5	. . NUT	2			
	AN960-516	. . WASHER	2			
-95	AN25-31	. . BOLT	2			
-96	1205809	. . BUSHING, Nacelle outboard door actuating rod block (18355)	2			
	MS24665-2-2	. . PIN	2			
-97	AN320-5	. . NUT	2			
-98	AN960-516L	. . WASHER	2			
-99	NAS5522	. . BOLT	2			
		-----*				
-100	2151649	. . TUBE ASSY, Nacelle outboard door actuating rod (18355)	1			
-101	1151342	. . END ASSY, Nacelle outboard door actuating rod (18355)	1			
	AES	. . BEARING, Needle (77896)	1			
-102	AN316-6L	. . NUT	1			
-103	AN316-6R	. . NUT	1			
-104	2151647-4	. . END ASSY, Nacelle outboard door actuating rod (18355)	1			
	MS20365-428	. . NUT	2			
	AN960-416	. . WASHER	4			
-105	MS20008-42	. . BOLT	2			
-106	530GB489	. . BLOCK, Guide (18355)	2			
-107	530GC479	. . BELLCRANK (18355)	2			
-108	530GC480	. . BRACKET(18355)	2			
		(ATTACHING PARTS)				
	AN320-4	. . NUT	2			

Section II
Group Assembly Parts List

T.O. 1B-26K-4

FIG. AND INDEX NO.	PART NUMBER	DESCRIPTION 1 2 3 4 5 6 7	UNITS PER ASSY	USABLE ON CODE
81-	AN960-416L	. WASHER.	2	
-109	AN4-4	. BOLT, Machine.	2	
		-----*-----		
-110	530GC481-1	. BRACKET (18355) (ATTACHING PARTS)	2	
	MS20365-1032	. NUT.	2	
	AN960-10L	. WASHER.	2	
-111	AN520-10-20	. SCREW.	2	
		-----*-----		
-112	540GB182	. . SPRING (ATTACHING PARTS)	1	
-113	AN520-10-20	. . SCREW, Machine.	1	
		-----*-----		
-114	530GC481-2	. BRACKET (18355) (ATTACHING PARTS)	2	
	MS20365-1032	. NUT.	4	
	AN960-10L	. WASHER.	4	
-115	AN3-6A	. BOLT.	4	
		-----*-----		
-116	530GB510	. BLOCK, Guide (18355)	2	
-117	530GB508	. BRACKET, LH (18355)	1	
	530GB507	. BRACKET, RH (18355) (ATTACHING PARTS)	1	
	MS20365-1032	. NUT.	3	
	AN960-10L	. WASHER.	3	
	1125962	. SPACER (18355).	3	
-118	AN3-10A	. BOLT.	3	
		-----*-----		
-119	530GB506	. BRACKET, Pivot (18355).	2	
-120	530GA509	. LEVER, Latch release (18355).	2	
-121	1193936	. SPRING (18355)	2	
-122	530GA487	. CABLE, Bellcrank to latch (18355)	2	
-123	530GA486-1	. BLOCK, Clamping upper (18355).	2	
	530GA486-2	. BLOCK, Clamping lower (18355).	2	
	*1	FOR FIELD LEVEL REPAIR USE BRAKE KIT P/N 2600027 (06848). FOR DEPOT LEVEL OVERHAUL AND REPAIR USE BRAKE KIT P/N 2600017 (06848).		

FIG. AND INDEX NO.	PART NUMBER	DESCRIPTION 1 2 3 4 5 6 7	UNITS PER ASSY	USABLE ON CODE
82-	5122377	CYLINDER ASSY, Main landing gear actuating (18355) (for NHA see fig. 37)	REF	
-1	5128434	. BARREL ASSY, Main landing gear actuating cylinder (18355)	1	
-2	AN920-8D	. UNION	1	
-3	MS28778-8	. PACKING	1	
-4	5128439	. PISTON ASSY, Main landing gear actuating cylinder (18355)	1	
-5	AN6227-38	. PACKING	1	
-6	2150742	. NUT, Main landing gear actuating cylinder external packing (18355)	1	
-7	1111908-316-322-188	. GASKET, External seal ring neoprene (18355)	1	
-8	4128202	. END, Main landing gear actuating cylinder (18355)	1	
-9	AN6229-22	. PACKING	1	
-10	AN6225-22	. PACKING	4	
-11	1073530B104-008	. RING, Bronze long packing (18355)	1	
-12	2126829	. NUT, Main landing gear actuating cylinder packing (18355)	1	

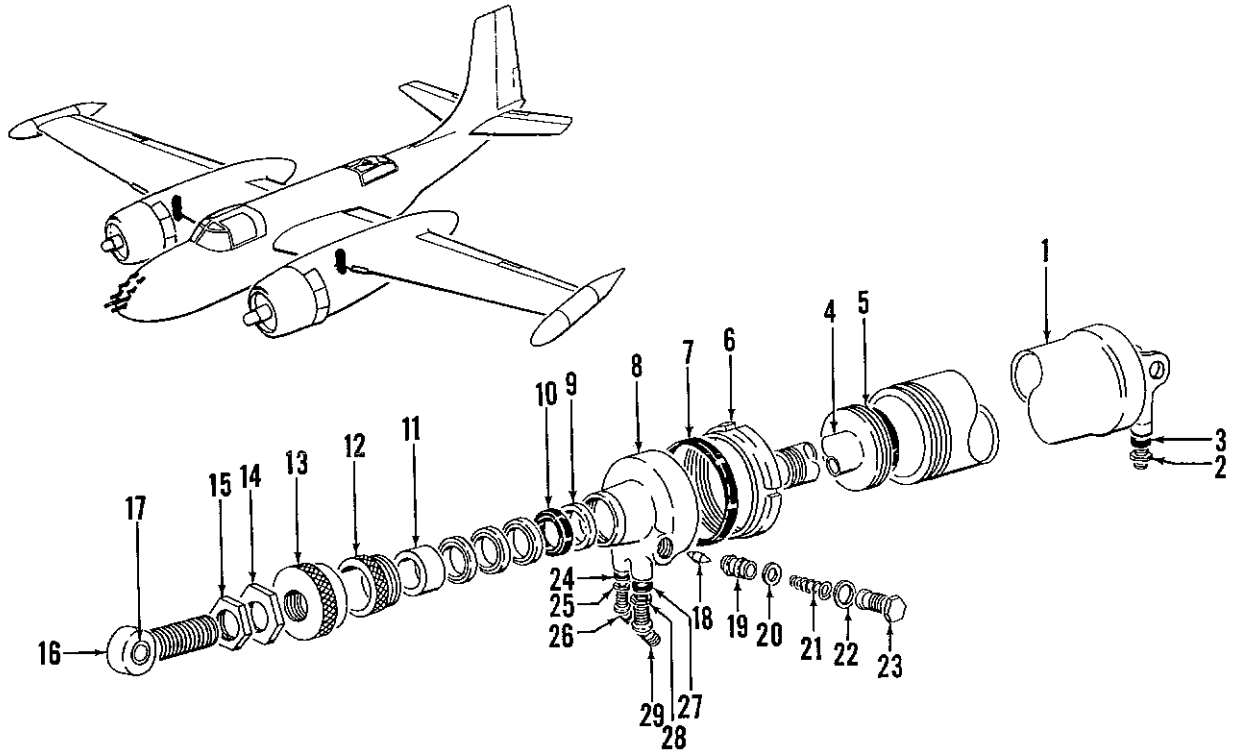


Figure 82. Main Landing Gear Actuating Cylinder Assembly

FIG. AND INDEX NO.	PART NUMBER	DESCRIPTION	UNITS PER ASSY							USABLE ON CODE	
			1	2	3	4	5	6	7		
82-13	2126823	. STOP, Main landing gear actuating cylinder rod (18355)								1	
-14	1127790	. NUT, Main landing gear actuating cylinder rod stop lock (18355) . . .								1	
-15	AN316-12R	. NUT								1	
	2126808	. END ASSY, Main landing gear actuating cylinder rod (18355)								1	
-16	2126808-2	. . ROD END, Main landing gear actuating cylinder rod (18355)								1	
-17	116500-9A028G	. . BUSHING, Aluminum bronze grooved (18355)								1	
-18	1127653	. CONE, Shuttle valve 1/2-in. (18355)								1	
-19	1127705	. SPACER, Shuttle valve packing 1/2-in. (18355)								1	
-20	H107675-016	. SEAT (73324) (Emergency sub part may be made from AN6226-9) . . .								2	
-21	1127663	. SPRING, Shuttle valve 1/2-in. (18355)								1	
-22	143908-028TC104-064	. WASHER (18355)								1	
-23	2126847	. PLUG, Shuttle valve 1/2-in. (18355)								1	
-24	MS28778-4	. PACKING								1	
-25	AN924-4D	. NUT								1	
-26	AN837-4D	. ELBOW								1	
-27	MS28778-8	. PACKING								1	
-28	AN924-8D	. NUT								1	
-29	AN837-8D	. ELBOW								1	

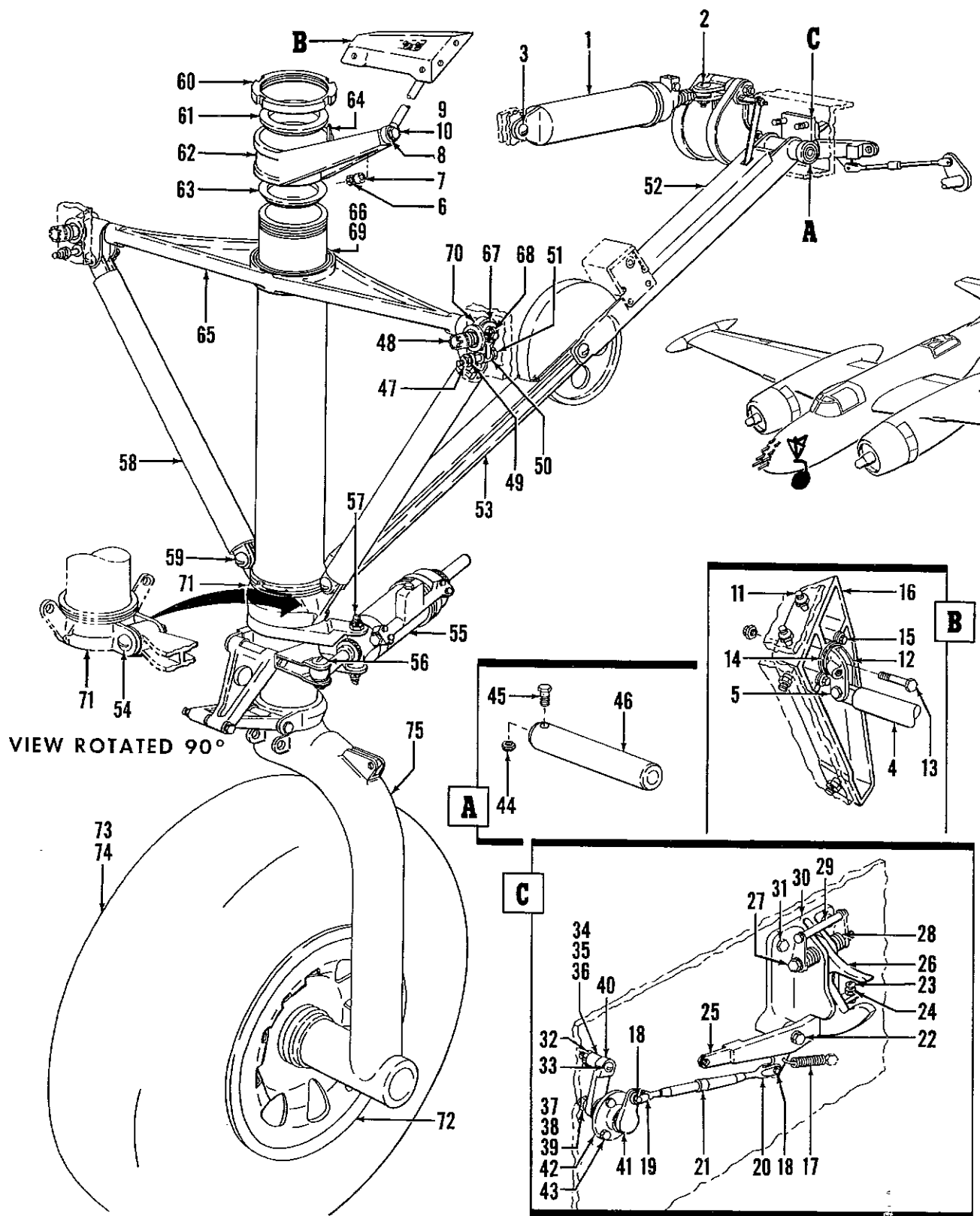


Figure 83. Nose Wheel Gear Installation

FIG. AND INDEX NO.	PART NUMBER	DESCRIPTION 1 2 3 4 5 6 7	UNITS PER ASSY	USABLE ON CODE
83 -	26-7051-1	GEAR INSTL, Nose wheel (for NHA see fig. 2)	REF	
-1	5122386	. CYLINDER ASSY, Nose wheel actuating (18355) (for detail see fig. 84)	1	
		(ATTACHING PARTS)		
	AN320-6	. NUT	1	
	AN960-616	. WASHER	1	
-2	AN26-23	. BOLT	1	
	AN320-7	. NUT	1	
	AN960-716	. WASHER	1	
	177213-4375-5605-748	. SPACER (18355)	1	
-3	AN27-26	. BOLT	1	
		-----*-----		
-4	2129260	. LINK ASSY, Nose wheel rotating mechanism (18355)	1	
		(ATTACHING PARTS)		
	AN310-3	. NUT	1	
	AN960-10L	. WASHER	2	
	177213-187-374-895	. BUSHING, Needle bearing hardened (18355)	1	
-5	AN3-12	. BOLT	1	
-6	AN310-4	. NUT	1	
-7	1151377	. SPACER, Nose wheel rotating mech. arm bolt (18355)	1	
-8	143908-008S024-125	. WASHER (18355)	1	
-9	AN4-21	. BOLT	1	
		-----*-----		
-10	AE82	. BEARING, Roller (77896)	1	
	4128231	. SUPPORT ASSY, Nose wheel rotating mech. swv. (18355)	1	
		(ATTACHING PARTS)		
	MS20365-428	. NUT	4	
	AN960-416	. WASHER	4	
-11	AN4-6A	. BOLT	4	
		-----*-----		
-12	2126892	. SWIVEL, Rotating mechanism (18355)	1	
		(ATTACHING PARTS)		
	AN310-4	. NUT	1	
-13	AN4-15	. BOLT	1	
		-----*-----		
-14	2126893	. BEARING, Rotating mech. swivel (18355)	1	
		(ATTACHING PARTS)		
-15	MS20073A5	. BOLT	2	
		-----*-----		
-16	2139926	. FITTING, Nose wheel rotating mech. (18355)	1	
-17	2205753	. SPRING, Nose wheel up latch (18355)	1	
-18	MS20392-11	. PIN	2	
-19	MS21252-16LS	. FORK, Turnbuckle	1	
-20	MS21252-16RS	. FORK, Turnbuckle	1	
-21	MS21251-16L	. BARREL, Turnbuckle	1	
	2205750	. ARM ASSY, Nose wheel hook up latch (18355)	1	
		(ATTACHING PARTS)		
	AN320-4	. NUT	1	
	1026614G4-011	. SPACER (18355)	1	
	AN960C416	. WASHER	1	
-22	AN4-16	. BOLT	1	
		-----*-----		
-23	110242-3-7HP	. BOLT, Special flathead full threaded stl. (18355)	1	
-24	MS35690-10	. NUT	2	
-25	2205750-2	. ARM, Nose wheel up latch hook release (18355)	1	
-26	2208235	. HOOK, Nose wheel up latch (18355)	1	
		(ATTACHING PARTS)		
	AN310-4	. NUT	1	
	1026614G4-016	. SPACER, OD bearing (18355)	1	
	1026614G4-015	. SPACER, OD bearing (18355)	1	
	AN960-4	. WASHER	2	
-27	AN4-23	. BOLT	1	
		-----*-----		
-28	1128970	. SPRING, Nose wheel hook up latch (18355)	1	
-29	MS20392-57	. PIN	1	

Section II
Group Assembly Parts List

T.O. 1B-26K-4

FIG. AND INDEX NO.	PART NUMBER	DESCRIPTION	UNITS PER ASSY	USABLE ON CODE
83-30	2129302	. SUPPORT, Nose wheel up latch (18355) (ATTACHING PARTS)	1	
-31	AN4-7A	. BOLT -----*-----	3	
-32	AN320-6	. NUT	1	
-33	AN26-31	. BOLT	1	
-34	1026614-6-020	. SPACER, OD bearing (18355)	1	
-35	2033901-12SP500-018	. SPACER, Chromium molybdenum stl. (18355)	1	
-36	1205763	. KEY, Nose wheel crank arm up latch (18355)	1	
-37	AN320-9	. NUT	1	
-38	AN960-916	. WASHER	2	
-39	AN960-1016	. WASHER	2	
-40	2205751	. ARM, Nose wheel crank up latch (18355)	1	
-41	2205754	. CRANK, Nose wheel release up latch (18355)	1	
-42	2205752	. BEARING ASSY, Nose wheel crank up latch (18355) (ATTACHING PARTS)	1	
	MS20365-428	. NUT	3	
-43	AN4-7	. BOLT -----*-----	3	
-44	MS20365-1032	. NUT	1	
-45	AN3-5A	. BOLT	1	
-46	2126775	. SHAFT, Nose gear upper retracting (18355)	1	
-47	MS20365-1018C	. NUT	2	
-48	12B126	. NUT, Internal wrenching (72962)	2	
-49	AN960-816	. WASHER	2	
-50	AN960-1216	. WASHER	2	
-51	AN10-26	. BOLT	2	
	26-7053-1	. GEAR ASSY, Nose wheel	1	
-52	5278446	. MUD GUARD INSTL, Nose gear retracting link (18355)	NP	
-53	5150259	. MECHANISM ASSY, Nose wheel retracting (18355) (for details see fig. 84) (ATTACHING PARTS)	1	
	AN320-10	. NUT	1	
	AN960-1016	. WASHER	1	
	2276216-2	. SPACER, Nose wheel mech. assy (18355)	1	
-54	AN30-38	. BOLT -----*-----	1	
-55	5122388	. SNUBBER ASSY, Nose wheel (18355) (for details see fig. 85) (ATTACHING PARTS)	1	
	AN320-6	. NUT	1	
	AN960-616	. WASHER	1	
	1026614G6-104	. SPACER (18355)	1	
-56	AN26-29	. BOLT	1	
	AN310-8	. NUT	2	
	AN960-916	. WASHER	2	
-57	2205415	. STUD, Nose wheel (18355) -----*-----	2	
-58	4278877	. BRACE ASSY, Nose wheel side (alt 4201552 (18355)) (ATTACHING PARTS)	2	
	AN310-10	. NUT	4	
	AN960-1016	. WASHER	4	
-59	NAS60-17-5	. BOLT -----*-----	4	
-60	2129341	. NUT, Shock absorber rotating arm lock (18355)	1	
-61	2129342	. RING, Shock absorber rotating arm wedge upper (18355)	1	
-62	5129977	. ARM, Nose wheel rotating mech. (18355)	1	
-63	2129343	. RING, Shock absorber rotating arm wedge lower (18355)	1	
-64	1150416	. KEY, Shock absorber rotating arm (18355)	1	
	5280335	. BEAM ASSY, Nose wheel cross (alt 5280336 (18355))	1	
-65	5280335-6	. BEAM, Nose wheel cross (18355)	1	
-66	2277787	. BUSHING, Nose wheel cross (18355)	1	
-67	1127713	. LEVER ASSY, Nose wheel position indicator (18355) (ATTACHING PARTS)	1	
-68	AN320-8	. NUT -----*-----	2	

FIG. AND INDEX NO.	PART NUMBER	DESCRIPTION	UNITS PER ASSY	USABLE ON CODE
-69	143908-016S112-125	. . WASHER (18355)	1	
-70	2126671	. . EYE BOLT ASSY, NLG cross brace (18355)	1	
-71	4123685	. . COLLAR ASSY, Nose wheel strut (alt 4278839 (18355))	1	
	2126541	. . . BUSHING, Nose wheel collar (18355)	1	
-72	530024	. . WHEEL ASSY, NLG (01297)	1	
-73	COML	. . TUBE, Aircraft inner (GFE) (MIL-T-5014, Type 1, Class 1, . . . Style S)	1	
-74	COML	. . CASING, Pneumatic, 36 in. 12 ply (GFE) (MIL-C-5041, Type 1)	1	
	5122384	. . STRUT ASSY, Nose wheel shock absorber (18355)	1	
-75	8239F	. . . STRUT ASSY, Aerol (13002) (for details see T.O. 4S2-3-3-501)	1	

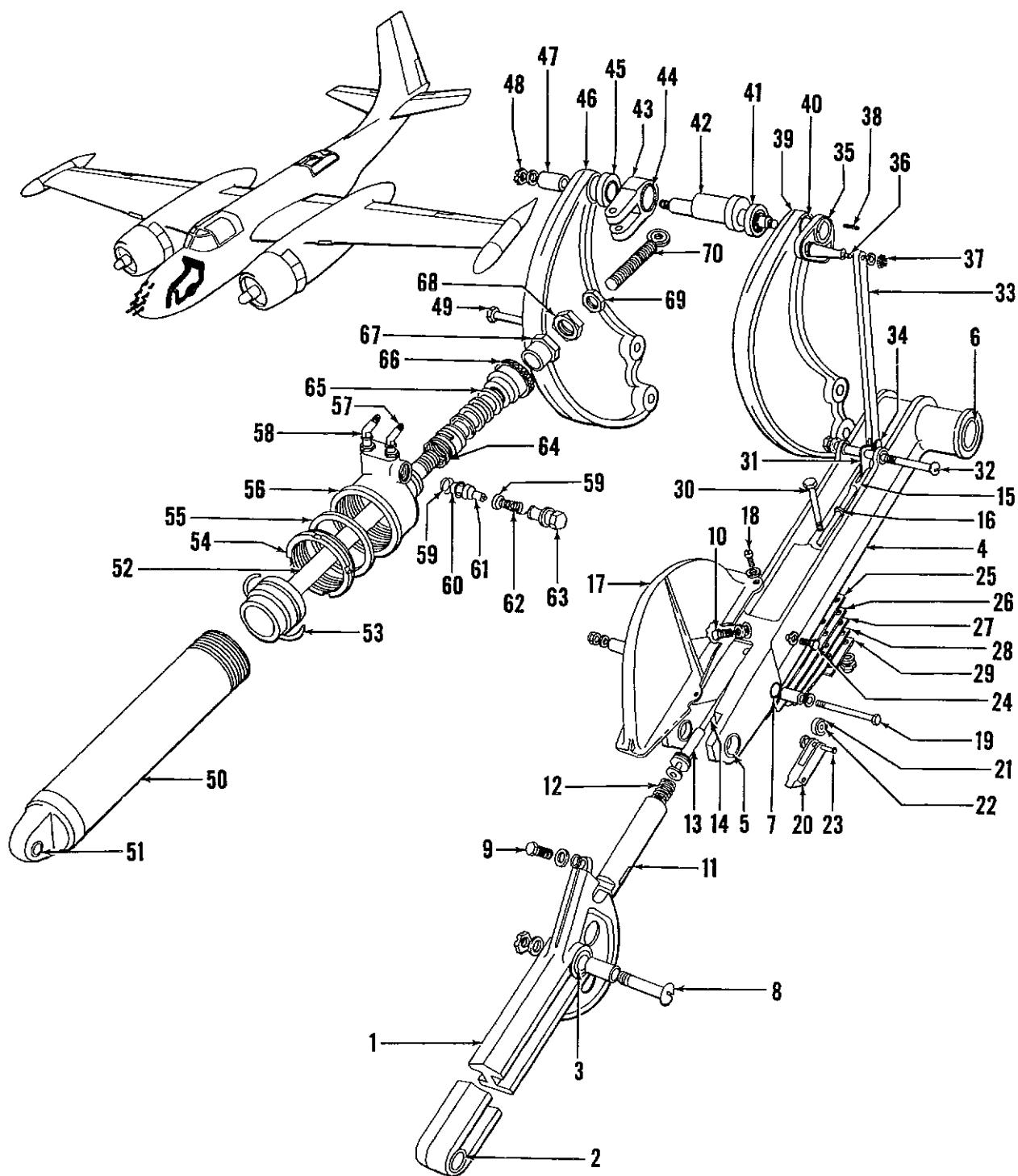


Figure 84. Nose Wheel Retracting Mechanism, and Actuating Cylinder Assemblies

FIG. AND INDEX NO.	PART NUMBER	DESCRIPTION	UNITS PER ASSY	USABLE ON CODE
84--		NOSE WHEEL RETRACTING MECHANISM, AND ACTUATING CYLINDER ASSY		
	5150259	. MECHANISM ASSY, Nose wheel retracting (18355) (for NHA see fig. 83)	REF	
	5127907	. . . LINK ASSY, Nose wheel retracting lower (18355)	1	
-1	5127907-2	. . . LINK, Nose wheel retracting lower (18355)	1	
-2	116500-13A107G	. . . BUSHING, Aluminum bronze grooved (18355)	1	
-3	116500-13A119G	. . . BUSHING, Aluminum bronze grooved (18355)	1	
	5127946	. . . LINK ASSY, Nose wheel retracting upper (18355)	1	
-4	5127946-2	. . . LINK, Nose wheel retracting upper (18355)	1	
-5	1127767	. . . BUSHING, Nose gear retracting upper (18355)	2	
-6	116500-20B108	. . . BUSHING, Brass (18355)	2	
-7	A407-2	. . . BEARING, Oilite (70417)	2	
-8	AN30-50	. . . BOLT	1	
	2276216-4	. . . SPACER, OD bearing (18355)	1	
	AN960-1016	. . . WASHER	1	
	AN320-10	. . . NUT	1	
-9	2207823	. . . BOLT, Nose gear retracting link adjusting (18355)	1	
	2207824	. . . WASHER, Nose gear retracting link adjusting (18355)	1	
	124682-7S12-065	. . . WASHER, Chrome molybdenum steel (18355)	1	
-10	1151313	. . . BOLT, Nose gear retracting link stop (18355)	1	
	124682-5S12-030	. . . WASHER, Chrome molybdenum steel (18355)	1	
	2150832	. . . LATCH ASSY, Nose wheel down (18355)	1	
-11	1151009	. . . LATCH, Nose wheel down (18355)	1	
-12	1150949	. . . SPRING, Nose wheel upper link lock plunger (18355)	1	
-13	1151008	. . . SLEEVE, Nose wheel down latch plunger (18355)	1	
-14	1150950	. . . PLUNGER ASSY, Nose wheel down latch (18355)	1	
-15	AN665-21R	. . . TERMINAL	1	
-16	AN315-3R	. . . NUT	1	
-17	4278148	. . . COVER, Nose gear down latch (18355) (ATTACHING PARTS)	1	
-18	AN501A10-7	. . . SCREW	4	
	AN960D10	. . . WASHER	4	
	1193811	. . . LATCH ASSY, Nose wheel bungee (18355) (ATTACHING PARTS)	1	
	AN310-3	. . . NUT	1	
	124682-3S10-065	. . . WASHER, Chrome molybdenum steel (18355)	2	
	1026614G3-101	. . . SPACER, Steel OD bearing grease finish (18355)	2	
-19	AN23-50	. . . BOLT	1	
-20	1193812	. . . LATCH, Nose wheel bungee (18355)	1	
	1193814	. . . ROLLER ASSY, Nose wheel bungee (18355)	1	
-21	1193813	. . . ROLLER, Nose wheel bungee (18355)	1	
-22	A303-2	. . . BUSHING, Oilite (70417)	1	
-23	MS20392-21	. . . PIN	1	
	AN960-10L	. . . WASHER	1	
-24	1206184	. . . SCREW, Nose gear down latch set (18355)	1	
	AN960-416L	. . . WASHER	1	
-25	1193808	. . . LEAF, No. 1 nose wheel bungee spring (18355)	1	
-26	1193810	. . . LEAF, No. 2 nose wheel bungee spring (18355)	1	
-27	1193809	. . . LEAF, No. 3 nose wheel bungee spring (18355)	1	
-28	1193947	. . . LEAF, No. 4 nose wheel bungee spring (18355)	1	
-29	1193954	. . . CLAMP, Nose wheel bungee spring (18355) (ATTACHING PARTS)	1	
	MS20365-1032	. . . NUT	2	
	AN960-10	. . . WASHER	2	
-30	AN3-13A	. . . BOLT	2	
-31	2277826	. . . LEVER ASSY, Nose wheel down latch release (18355) (ATTACHING PARTS)	1	
	AN320-3	. . . NUT	1	
	AN960-10	. . . WASHER	1	
-32	AN23-38	. . . BOLT	1	

Section II
Group Assembly Parts List

T.O. 1B-26K-4

FIG. AND INDEX NO.	PART NUMBER	DESCRIPTION	UNITS PER ASSY	USABLE ON CODE
84-33	1150974	. . ROD, Nose wheel down latch actuating (18355) (ATTACHING PARTS)	1	
-34	MS20392-11	. . PIN	2	
	AN960-10L	. . WASHER	1	
	1151007	. . STOP ASSY, Nose wheel down latch release (18355)	1	
-35	1151005	. . . STOP, Nose wheel down latch release (18355)	1	
-36	1151006	. . . ARM, Nose wheel down latch release (18355)	1	
-37	AN320-3	. . NUT	1	
	AN960D10	. . WASHER	1	
-38	1151369	. . KEY, Nose wheel down latch release (18355)	2	
	4277462	. . ARM ASSY, Nose wheel retracting LH (18355)	1	
-39	4277462-2	. . . ARM, Nose wheel retracting LH (18355)	1	
-40	2277914	. . . BEARING, Bronze (18355)	1	
-41	2277456	. . SPACER, Nose wheel down latch cam (18355)	1	
-42	2277430	. . . CAM, Nose wheel down latch release (18355)	1	
	2277431	. . . CLEVIS ASSY, Nose wheel actuating cylinder rod (18355)	1	
-43	2277431-2	. . . LINK, Nose wheel actuating cylinder rod (18355)	1	
-44	B1616X	. . . BEARING, Needle (60380)	1	
-45	2277433	. . SPACER, Nose wheel down latch cam (18355)	1	
	4277927	. . ARM ASSY, Nose wheel retracting RH (18355)	1	
-46	4277927-2	. . . ARM, Nose wheel retracting RH (18355)	1	
-47	2277915	. . . BEARING, Bronze (18355)	1	
-48	AN320-5	. . NUT	2	
	AN960-516	. . WASHER	2	
-49	111904-8-322N	. . BOLT, Shear or bearing (18355)	2	
	AN960-816	. . WASHER	2	
	MS20365-820	. . NUT	2	
	5122386	. . CYLINDER ASSY, Nose wheel actuating (18355) (for NHA see fig. 83)	REF	
	5128480	. . BARREL ASSY, Nose wheel actuating cylinder (18355)	1	
-50	5128480-2	. . . BARREL, Nose wheel actuating cylinder (18355)	1	
-51	116500-9A024G	. . . BUSHING, Aluminum bronze grooved (18355)	1	
-52	5128574	. . PISTON ASSY, Nose wheel actuating cylinder (18355)	1	
-53	AN6227-35	. . PACKING	1	
-54	2150746	. . NUT, Nose wheel actuating cylinder external packing (18355)	1	
-55	1111908-304-310-188	. . GASKET, External seal ring neoprene (18355)	1	
-56	5128680	. . END, Nose wheel actuating cylinder (18355)	1	
-57	AN837-4D	. . ELBOW	1	
	AN924-4D	. . NUT	1	
	MS28778-4	. . GASKET	1	
-58	AN837-6D	. . ELBOW	1	
	AN924-6D	. . NUT	1	
	MS28778-6	. . GASKET	1	
-59	H107675-014	. . SEAT, Type A resilient valve (73324)	2	
-60	1128870	. . SPACER, Shuttle valve 3/8-in. (18355)	1	
-61	1128869	. . CONE, Shuttle valve 3/8-in. (18355)	1	
-62	1128871	. . SPRING, Shuttle valve 3/8-in. (18355)	1	
	143908-026TC102-064	. . GASKET (18355)	1	
-63	2129213	. . PLUG, Shuttle valve 3/8-in. (18355)	1	
-64	2129210	. . SPRING, Nose wheel actuating cylinder piston rod packing (18355)	1	
	AN6229-22	. . RING	1	
-65	AN6225-22	. . PACKING	4	
	1073530B104-008	. . RING, Bronze long packing (18355)	1	
-66	2129211	. . NUT, Nose wheel actuating cylinder piston rod packing (18355)	1	
-67	2129209	. . STOP NUT, Nose wheel actuating cylinder rod stop (18355)	1	
-68	1127790	. . LOCK NUT, Main landing gear actuating rod stop (18355)	1	
-69	AN316-12R	. . NUT	1	
-70	1128865	. . BOLT, Nose wheel actuating cylinder eye (18355)	1	

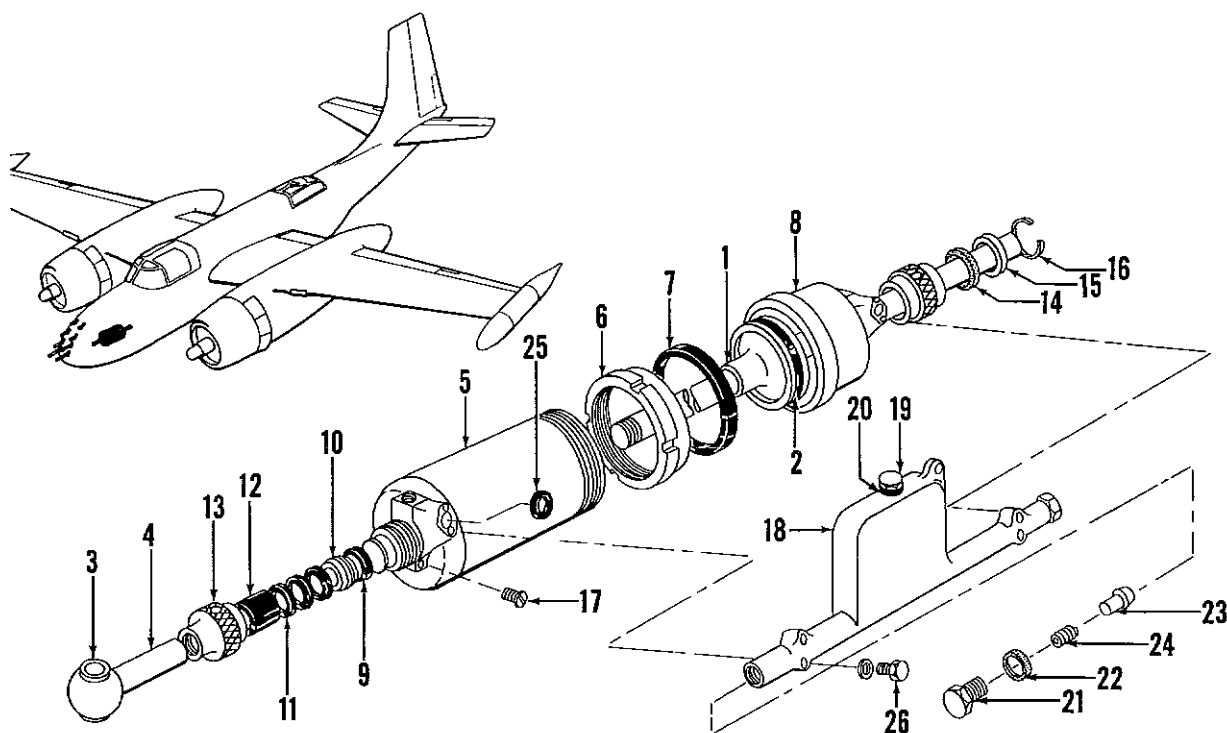


Figure 85. Nose Wheel Snubber Assembly

FIG. AND INDEX NO.	PART NUMBER	DESCRIPTION	UNITS PER ASSY	USABLE ON CODE
85-	5122388	SNUBBER ASSY, Nose wheel (18355) (for NHA see fig. 83)	REF	
	5150355	. . . CYLINDER ASSY, Nose wheel snubber (18355)	1	
-1	4129589	. . . PISTON ASSY, Nose wheel snubber (18355)	1	
-2	AN6227-34	. . . PACKING	1	
-3	2150765	. . . END ASSY, Nose wheel snubber piston rod (18355)	1	
-4	1150576	. . . BUSHING, Nose wheel snubber piston rod end (18355)	2	
-5	4129561	. . . BARREL ASSY, Nose wheel snubber (18355)	1	
-6	2150751	. . . NUT, Nose wheel snubber end external packing (18355)	1	
-7	1111908-228-302-188	. . . GASKET, External seal ring neoprene (18355)	1	
-8	2150750	. . . END, Nose wheel snubber (18355)	1	
-9	1012953D024-008	. . . RING, Center packing (18355)	2	
-10	AN6229-16	. . . RING	4	
-11	AN6225-16	. . . PACKING	8	
-12	1073530B024-008	. . . RING, Long packing (18355)	2	
-13	4129556	. . . NUT, Nose wheel snubber piston rod packing (18355)	2	
-14	2110163B012-100-003	. . . WASHER, Gray felt (18355)	2	
-15	4113754-024	. . . WIPER, Piston rod (18355)	2	
-16	2130661-104	. . . RING, Internal lock (18355)	2	
-17	AN502-10-8	. . . SCREW	2	
	4129593	. . . MANIFOLD ASSY, Nose wheel snubber (18355)	1	
-18	5150244	. . . MANIFOLD, Nose wheel snubber (18355)	1	
-19	1150917	. . . PLUG, Nose wheel snubber reservoir (18355)	1	
-20	143908-016TC024-064	. . . GASKET (18355)	1	
-21	2150766	. . . PLUG, Nose wheel snubber poppet (18355)	2	
-22	143908-022TC030-064	. . . GASKET (18355)	2	
-23	1150566	. . . POPPET, Nose wheel snubber (18355)	2	
-24	1150911	. . . SPRING, Nose wheel snubber poppet (18355)	2	
-25	1074724-016	. . . GASKET, Black neoprene hydraulic seal cup (18355)	2	
-26	AN3H13A	. . . BOLT	4	
	AN960D10	. . . WASHER	4	

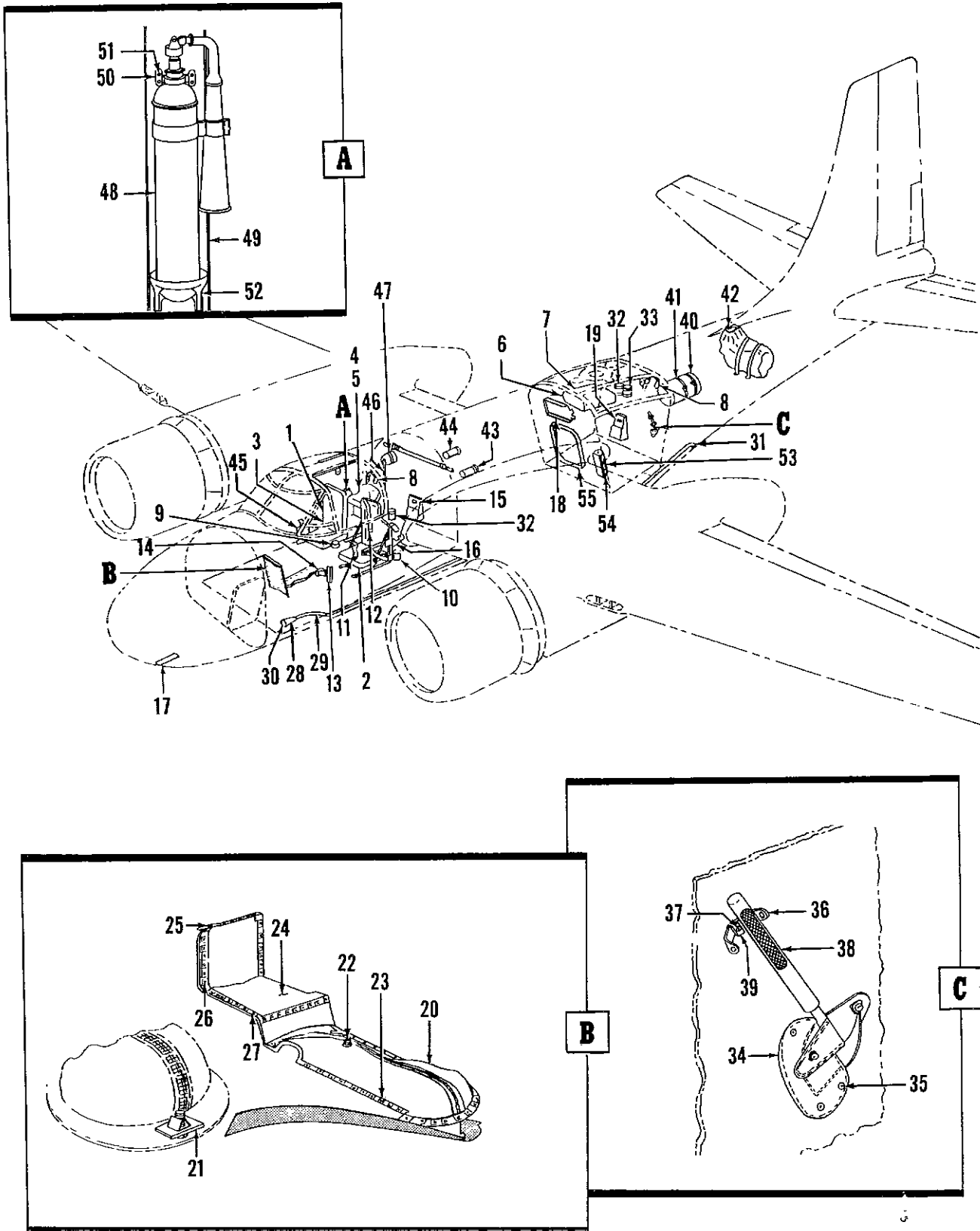


Figure 86. Fuselage Furnishings Installation

FIG. AND INDEX NO.	PART NUMBER	DESCRIPTION 1 2 3 4 5 6 7	UNITS PER ASSY	USABLE ON CODE
86-	26-9770-1	FURNISHINGS INSTL, Fuselage (altered from 5153227 (18355)) (for NHA see fig. 4)	REF	
-1	26-9262-1	. CUSHION ASSY, Pilots seat.	2	
-2	220C	. SEAT ASSY, Pilot's (83945) (for details see fig. 87).	1	
-3	26-9239-70	. SEAT ASSY, Co-pilot's (altered from 220C (83945)) (for details see fig. 87)	1	
-4	5207307	. SEAT INSTL, Crewman's (18355) (for details see fig. 88).	1	
-5	NO NUMBER	. KIT INSTL, Improved crew escape (installed by T.O. 1B-26-173) . . . (for details see fig. 89)	1	
-6	5202482	. COVER, Pilot's enclosure (18355)	1	
-6	26-9619-1	. STREAMER ASSY, Gear pins warning	3	
-6	4151268	. PIN, Safety, Nose landing gear (18355)	1	
-6	2153888	. LOCK, Safety, mainlanding gear down (18355)	2	
-6	2150868	. LOCK, Safety, bomb bay (18355)	4	
-6	2126700	. PAD, Jack, fuselage (18355)	2	
-7	2126974	. PAD, Jack, wing (18355).	4	
-7	AN48-10	. BOLT, Eye	2	
-7	AN315-8R	. NUT	2	
-7	5153689	. ROLL, Miscellaneous handling equipment (18355)	1	
-8	H78/A1C	. HEADSET AND MICROPHONE (49671) (for details see T.O. 12R2-2A1C10-4)	3	
-9	4760502	. ASH RECEIVER, Tobacco (91209)	1	
-10		. HYDRAULIC FLUID, Gallon (Spec ML-O-5606)	1	
-11	44G5437	. BELT ASSY, Lap safety type B-14 (ATTACHING PARTS)	4	
	AN320-4	. NUT	4	
	AN960D416	. WASHER	4	
	AN24-14	. BOLT ----*----	4	
-12	44G5443	. STRAP ASSY, Shoulder harness safety type B-15	2	
	5204382	. LOAD ADJUSTER INSTL (18355)	1	
-13	A26B LOAD ADJUSTER (18355)	1	
-14	2278047 BRACKET (18355)	1	
	5203512 MAP CASE INSTL, Pilot (18355)	1	
-15	5151931 COMPARTMENT ASSY, Map case and glove (18355)	1	
	5195440 FIRST AID KIT INSTL, Pilot and jump seat (18355)	1	
-16	42D7411 KIT, First aid (18355)	2	
-17	26-9518-1 STREAMER ASSY, Pilot cover	1	
-18	2195130 GUARD, Bomb bay bulkhead aft (18355) (ATTACHING PARTS)	1	
	A1179-10Z1 NUT (78553).	14	
	AN530-8-6 SCREW	14	
	A1179-10Z1 NUT (78553)	2	
	AN530-8-8 SCREW ----*----	2	
	5194625 MAP CASE AND GLOVE COMPARTMENT INSTL, gunner (18355)	1	
-19	5151931 COMPARTMENT ASSY, Map case and glove (18355)	1	
	5190575 SEALING INSTL, Fuselage (18355)	1	
	5192501 CANVAS BOOT INSTL, Control pedestal (18355)	1	
-20	5192501-18 BOOT ASSY (18355) (ATTACHING PARTS)	1	
	A1778-8Z1 NUT, Speed (78553)	22	
-21	AN530-8-8 SCREW	22	
-22	1027301-8-9 SCREW, Stell recessed (18355)	1	
	AN960D8 WASHER	1	
	A6077-8Z3 NUT, Speed (78553)	21	
-23	AN530-8-8 SCREW ----*----	21	
-24	5192501-20 BOOT ASSY (18355) (ATTACHING PARTS)	1	
	MS20365-632 NUT	18	
-25	AN227-4 STUD	18	
	A1778-8Z NUT, Speed (78553)	7	
-26	AN530-8-8 SCREW	7	
	A1778-8Z NUT, Speed (78553)	9	
	AN960D8 WASHER	9	
-27	AN530-8-8 SCREW ----*----	9	

Section II
Group Assembly Parts List

T.O. 1B-26K-4

FIG. AND INDEX NO.	PART NUMBER	DESCRIPTION	UNITS PER ASSY	USABLE ON CODE
86-	5276252	TUBE INSTL, Pilot's relief (18355)	1	
-28	42A6504	HORN (GFE)	1	
-29	5276252-2	TUBE (18355)	1	
-30	33B4741	BRACKET (GFE)	1	
		(ATTACHING PARTS)		
	MS20365-832	NUT	3	
	AN960-8	WASHER	3	
	AN520-8-10	SCREW	3	
		*-----		
-31	623	VENTURI (GFE)	1	
	5194618	BRACKET INSTL, Crew relief container (18355)	1	
-32	4195650	CONTAINER ASSY (18355)	4	
		(ATTACHING PARTS)		
	A1181-6Z	NUT, Speed (78553)	8	
	AN960D10	WASHER	8	
	AN530-6R8	SCREW	8	
	MS20365-1032	NUT	8	
	AN960-10	WASHER	8	
	AN526-1032R10	SCREW	8	
		*-----		
-33	1194838	CONTAINER, Paper relief (18355)	4	
	5203206	STOWAGE INSTL, Emergency fire axe (18355)	1	
-34	4203777	SHEATH ASSY, Emergency fire axe (18355)	2	
		(ATTACHING PARTS)		
	MS20365-1032	NUT	8	
	AN 960-10	WASHER	8	
-35	AN520-10R10	SCREW	8	
		*-----		
-36	1203778	STRAP ASSY, Emergency fire axe (18355)	2	
		(ATTACHING PARTS)		
	MS20365-1032	NUT	2	
	AN960-10	WASHER	2	
-37	1087510-10-10	SCREW (18355)	2	
		*-----		
-38	42D8331	AXE (18355)	2	
-39	1204109	PLATE (18355)	2	
-40	5128589	COVER ASSY, Engine section (18355)	2	
-41	2028263-18-18	STRAP ASSY (18355)	2	
		(ATTACHING PARTS)		
	MS20365-1032	NUT	4	
	AN970-3	WASHER	4	
	1027300-10-11	SCREW (18355)	4	
		*-----		
-42	5205965	CONTAINER ASSY, Dust excluder stowage (18355)	1	
	5205965-2	CONTAINER (18355)	1	
	4143958	EXCLUDER ASSY, Bomb bay vent dust (18355)	1	
	4278594	EXCLUDER ASSY, Heat and vent air scoop dust (18355)	2	
	4204878	EXCLUDER ASSY, Heat and vent air scoop dust (18355)	2	
	5203612	EXCLUDER ASSY, Carburetor air intake (18355)	2	
	4203658	EXCLUDER ASSY, Exhaust stack (18355)	18	
	5203536	EXCLUDER ASSY, Oil cooler air intake (18355)	2	
	5195508	LEVELING PIN INSTL (18355)	1	
	MS20365-1032	NUT	2	
	AN960D10	WASHER	4	
	2033901-7DR187-100	SPACER (18355)	2	
-43	AN23-28A	BOLT	2	
	MS20365-1032	NUT	2	
	AN960D10	WASHER	4	
	2033901-7DR187-100	SPACER (18355)	2	
-44	AN3-26A	BOLT	2	
-45	39D3922	HOLDER ASSY, Pilot's check list (18355)	1	
	4143110	FUNNEL ASSY, Hydraulic reservoir (18355)	1	
-46	4143110-2	SPOUT (18355)	1	
-47	4143110-4	FUNNEL (18355)	1	
-47	1143025	HOOK (18355)	1	
-48	28X1620	EXTINGUISHER, Fire type 4TB (97876) (for details see T.O. 13F4-2-14)	1	

FIG. AND INDEX NO.	PART NUMBER	DESCRIPTION 1 2 3 4 5 6 7	UNITS PER ASSY	USABLE ON CODE
86-49	5153236-2	. SUPPORT, Fire extinguisher fuselage section (18355) (ATTACHING PARTS)	1	
	MS20365-1032	. NUT	3	
	AN960D10	. WASHER	3	
	AN520-10R10	. SCREW	3	
		-----*-----		
-50	20507	. BRACKET, Upper (97876) (ATTACHING PARTS)	1	
	MS20365-1032	. NUT	4	
	AN960-10	. WASHER	4	
-51	AN520-10R10	. SCREW	4	
		-----*-----		
-52	20932	. BRACKET, Lower (97876) (ATTACHING PARTS)	1	
	MS20365-1032	. NUT	1	
	AN960-10	. WASHER	1	
	1029421-10-10	. SCREW (18355)	1	
		-----*-----		
-53	A20-0-51	. EXTINGUISHER, Fire type A20 (97876) (for details see T. O. 13R4-4-62)	1	
-54	4208110	. BRACKET ASSY (18355) (ATTACHING PARTS)	1	
	MS20365-1032	. NUT	4	
	AN960-10	. WASHER	4	
	AN520-10R10	. SCREW	4	
		-----*-----		
-55	26-1205-1	. CURTAIN ASSY, Aft bomb bay enclosure	1	

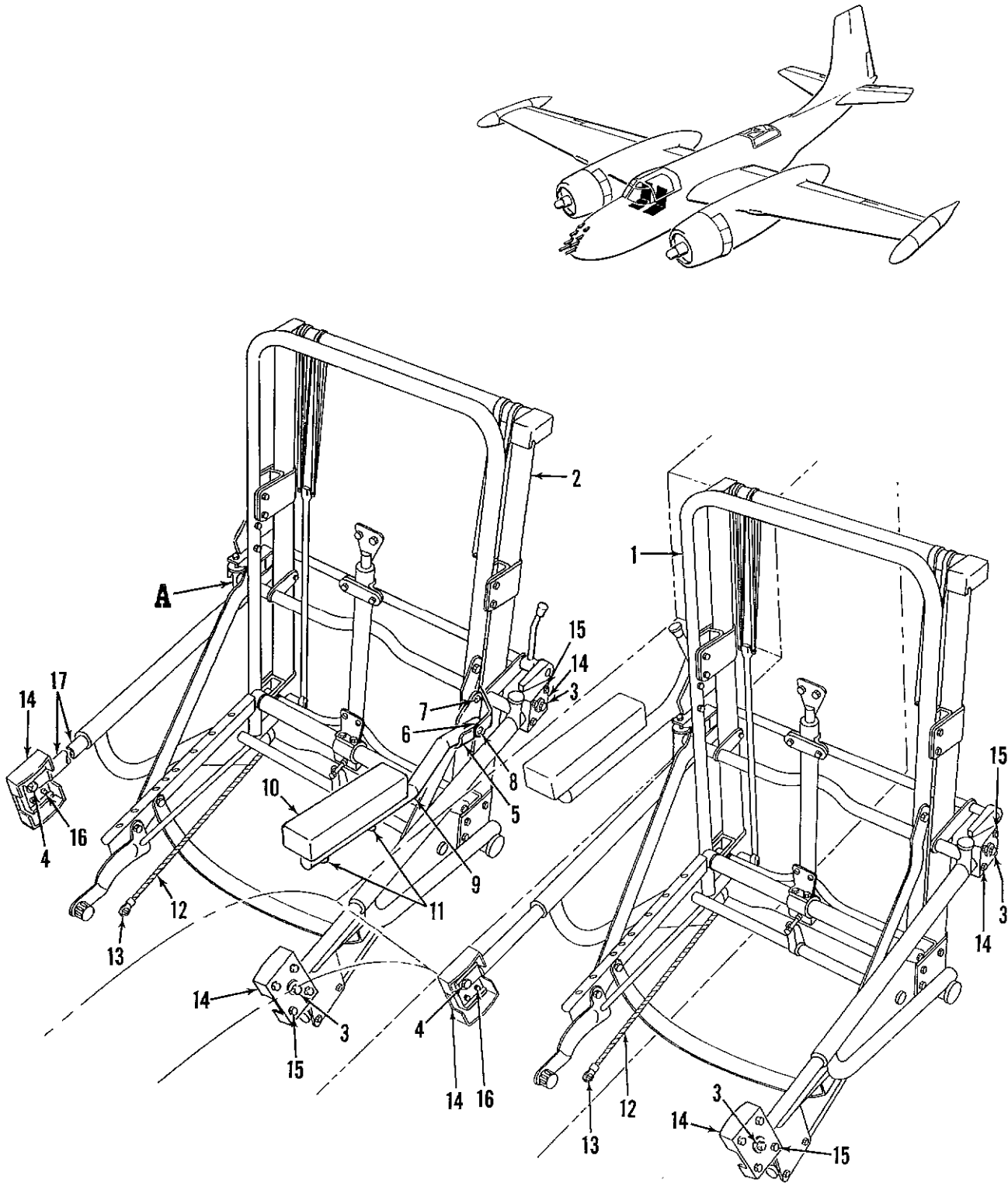


Figure 87. Pilot's and Co-Pilot's Seat Assemblies

FIG. AND INDEX NO.	PART NUMBER	DESCRIPTION	UNITS PER ASSY	USABLE ON CODE		
					1	2
87-		PILOT'S AND CO-PILOT'S SEAT ASSEMBLIES				
-1	220C	. SEAT ASSY, Pilot's (83945) (for NHA see fig. 86)	REF			
-2	26-9239-70	. SEAT ASSY, Co-pilot's (altered from 220C (83945)) (for NHA see . . fig. 86) (ATTACHING PARTS)	REF			
	MS20365-428	. NUT	4			
	2033900-8S120-026	. SPACER (18355)	4			
	143908-008S116-125	. WASHER	4			
-3	AN4-16A	. BOLT	4			
	MS20365-428	. NUT	4			
	2033900-8S120-023	. SPACER (18355)	4			
	143908-008S116-125	. WASHER (18355)	4			
	1151055	. WASHER (18355)	4			
-4	AN4-16A	. BOLT	4			
		-----*				
-5	26-9329-71	. . . STOP, Co-pilot's arm rest assy	1			
-6	26-9329-72	. . . CHANNEL, Co-pilot's arm rest assy	1			
	26-9329-73	. . . ARM REST ASSY, Co-pilot's (ATTACHING PARTS)	1			
	MS20365-428	. . . NUT	2			
	AN960-416	. . . WASHER	2			
-7	AN509R416-31	. . . SCREW	1			
-8	AN509R416-48	. . . SCREW	1			
		-----*				
-9	26-9329-74 ARM ASSY, Copilot's arm rest	1			
-10	26-9329-77 REST ASSY, Copilot's arm rest (ATTACHING PARTS)	1			
-11	AN515-8R22 SCREW	2			
		-----*				
-12	2203284	. CORD ASSY (18355) (ATTACHING PARTS)	2			
	MS20365-832	. NUT	2			
	AN960D8	. WASHER	2			
-13	AN515-8-8	. SCREW	2			
		-----*				
-14	2159681	. MOUNT, Resilient (18355) (altered from 423 (76005)) (ATTACHING PARTS)	8			
	MS20365-1032	. NUT	32			
	AN960D10	. WASHER	32			
-15	AN3-4A	. BOLT	16			
-16	AN3-5A	. BOLT	16			
		-----*				
-17	26-9229-1	. ROD, Co-pilot's seat support (ATTACHING PARTS)	1			
	MS20365-1032	. NUT	2			
	AN960-10	. WASHER	2			
	AN520-10-20	. SCREW	2			
		-----*				

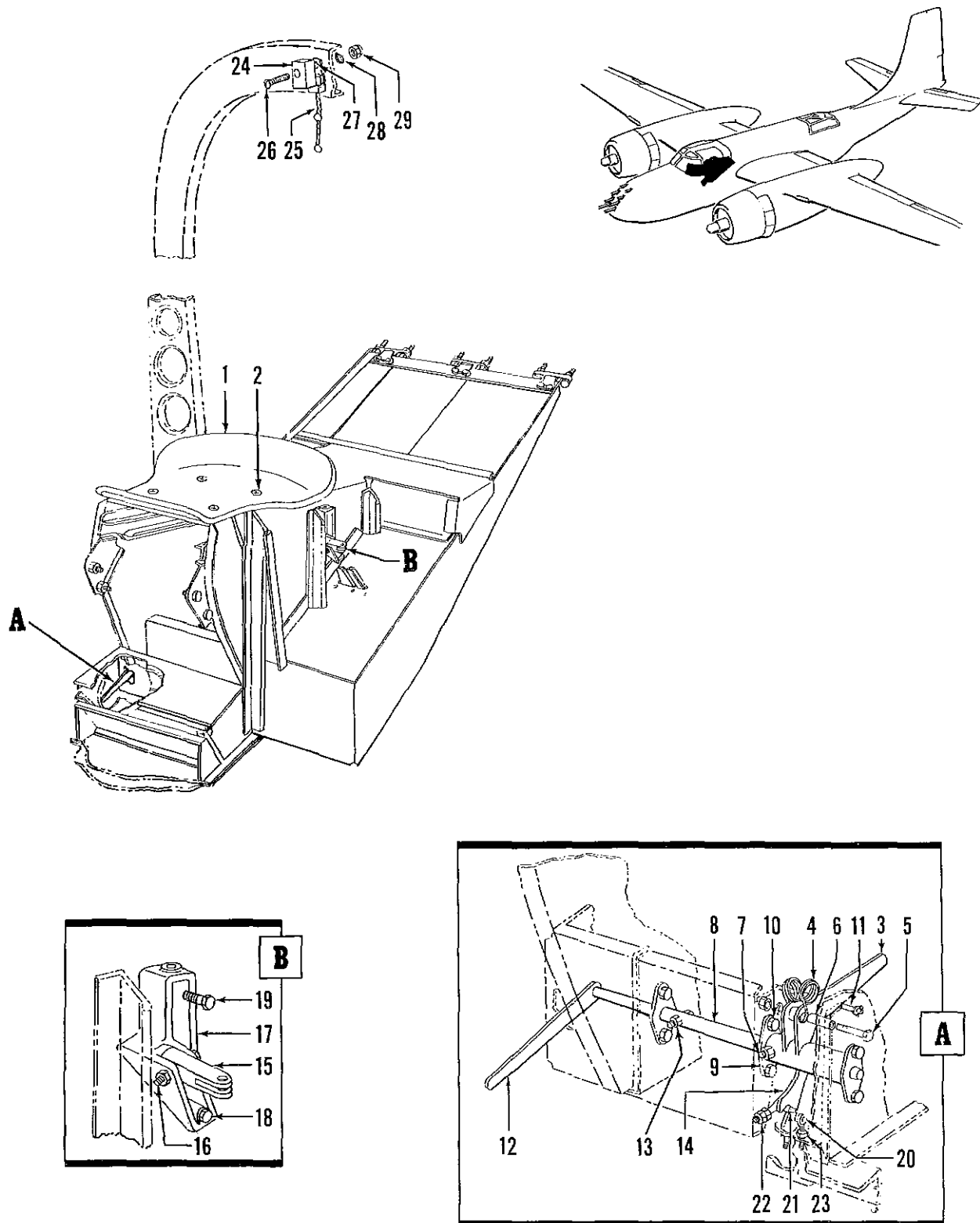


Figure 88. Forward Gunner Seat Installation

FIG. AND INDEX NO.	PART NUMBER	DESCRIPTION	UNITS PER ASSY	USABLE ON CODE
88-	5207307	SEAT INSTL, Forward gunner (Mod. by 1B-26-137)(18355)(for NHA see fig. 86)	REF	
-1	5207614 5157231	. SEAT ASSY, Forward gunner's (18355) SEAT, Forward gunner (18355). (ATTACHING PARTS)	1 1	
-2	MS20365-1032 1087510-10-10	. . NUT. SCREW (18355) -----*	4 4	
-3	2193749	. . HANDLE, Forward gunner access door latch outer (18355)	1	
-4	1193965 MS20365-1032 AN960-10	. . SPRING, Forward gunner (18355) NUT. WASHER.	1 1 1	
-5	AN3-13A	. . BOLT.	1	
-6	2033900-5S049-031 MS20365-1032	. . TUBE, Chromium molybdenum steel (18355) NUT.	1 1	
-7	AN3-12A	. . BOLT.	1	
-8	1190101	. . SHAFT, Forward gunner access door latch (18355)	1	
-9	1190104 MS20365-1032	. . BEARING, Forward gunner access door latch (18355). NUT.	3 6	
-10	AN3-6A	. . BOLT.	6	
-11	1190154	. . TUBE, Forward gunner access door latch (18355)	1	
-12	1190102 MS20365-1032	. . HANDLE, Forward gunner access door latch (18355) NUT.	1 1	
-13	AN3-7A	. . BOLT.	1	
-14	1193964	. . HOOK, Forward gunner access door latch (18355)	1	
-15	2207366 MS20365-428 AN960-416L	. . LINK, Safety belt connector (18355). NUT. WASHER	2 1 1	
-16	AN4-16A	. . BOLT	1	
-17	2207365 2207365-1	. . BRACKET ASSY, Safety belt attachment LH (18355) BRACKET ASSY, Safety belt attachment RH (18355) (ATTACHING PARTS)	1 1	
-18	MS20365-1032 AN960-10L AN3-7A	. . NUT WASHER BOLT	2 2 2	
-19	MS20365-1032 AN960-10L AN3-10A	. . NUT WASHER BOLT -----*	4 4 4	
-20	1190125 1190126	. LUG, Forward gunner access door latch (18355) PIN, Forward gunner access door latch (18355)	2 1	
-21	2207641	. PIN, Forward gunner access door latch (18355)	1	
-22	MS20365-1032 MS20365-1032 AN960D10 AN960-10L	. NUT NUT WASHER WASHER	2 2 2 2	
-23	AN315-3R AN960D10	. NUT WASHER	2 2	
-24	1199601	. BLOCK, Forward gunner seat support latch (18355)	1	
-25	2196636	. CABLE ASSY, Forward gunner seat support latch (18355)	1	
-26	AN526-1032-26	. SCREW	1	
-27	2033900-5S049-003	. SPACER (18355)	1	
-28	AN960D10	. WASHER	1	
-29	MS20365-1032	. NUT	1	

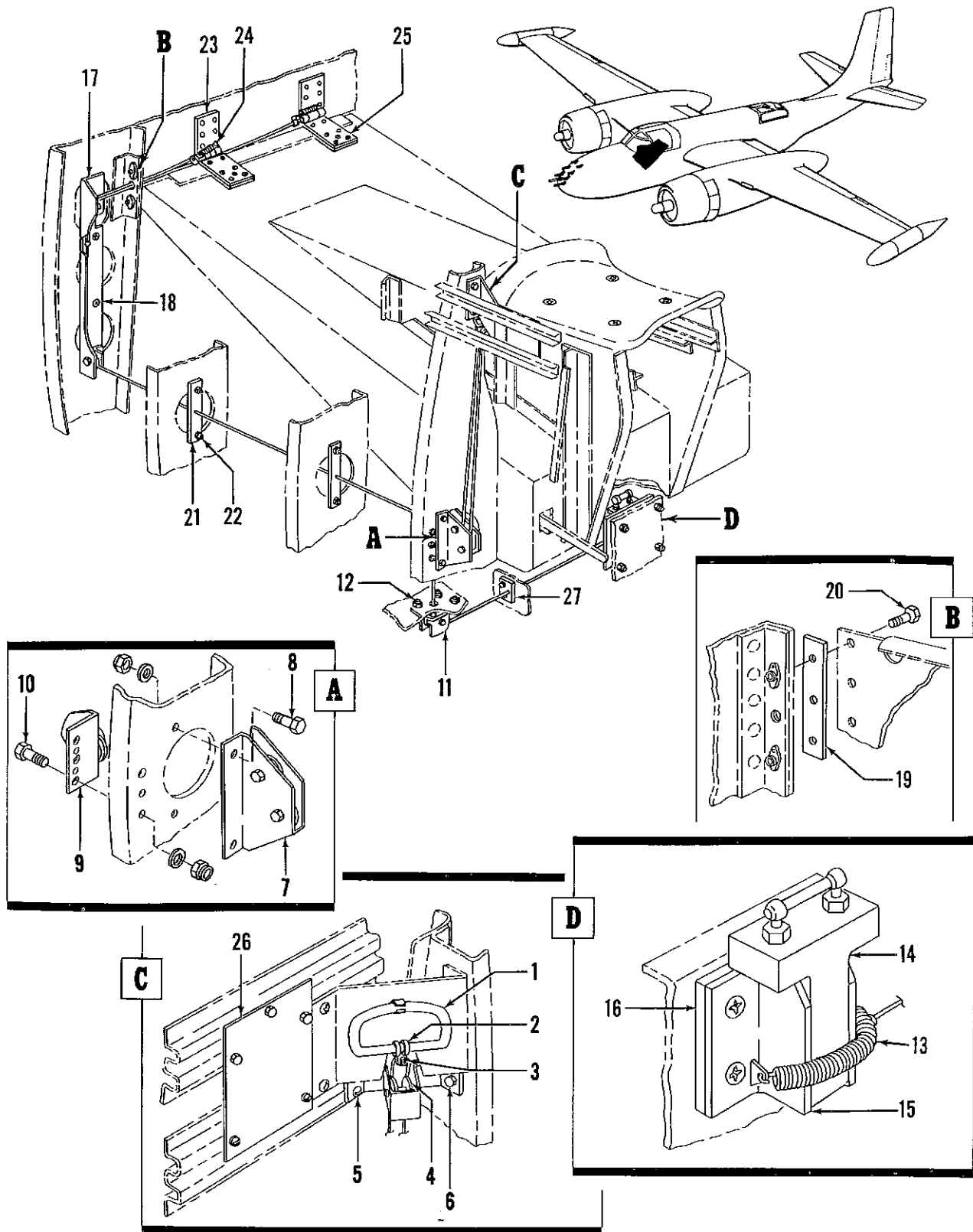


Figure 89. Improved Crew Escape Kit Installation

FIG. AND INDEX NO.	PART NUMBER	DESCRIPTION	UNITS PER ASSY	USABLE ON CODE		
					1	2
89-	NO NUMBER	KIT INSTL, Improved crew escape (installed by T. O. 1B-26-173) (for NHA see fig. 86)	1			
-1	51B647	. CABLE ASSY, Release escape seat (U. S. A. F.)	1			
-2	AN742-8C	. CLAMP	1			
-3	AN520-10-7	. SCREW	1			
	MS20365-1032	. NUT	1			
-4	51B653	. PULLEY ASSY, Release cable sta 86 escape upper (USAF)	1			
-5	AN526-1032-8	. SCREW	2			
-6	AN3-5A	. BOLT	2			
	AN960-10	. WASHER	2			
	MS20365-1032	. NUT	2			
-7	51B656	. PULLEY ASSY, Release cable sta 88 escape seat fwd (USAF)	1			
-8	AN3-5A	. BOLT	2			
	AN960-10	. WASHER	2			
	MS20365-1032	. NUT	2			
-9	51B663	. PULLEY ASSY, Release cable sta 88 escape seat lower aft (USAF)	1			
-10	AN3-11A	. BOLT	3			
	AN960-10	. WASHER	3			
	MS20365-1032	. NUT	3			
-11	51B667	. PULLEY ASSY, Release cable escape seat (USAF)	1			
-12	AN3-4A	. BOLT	4			
	AN960-10	. WASHER	4			
	MS20365-1032	. NUT	4			
-13	26-9269-1	. SPRING, Jump seat tension	1			
-14	51B671	. LATCH ASSY, Access door escape seat (USAF)	1			
-15	51B675L	. BRACKET, Latch access door escape seat (USAF)	1			
	51B675R	. BRACKET, Latch access door escape seat (USAF)	1			
-16	51A676	. PLATE, Latch access door escape seat (USAF) (ATTACHING PARTS)	1			
	AN509-10R16-14	. SCREW	4			
	AN960-10	. WASHER	4			
	MS20365-1032	. NUT	4			
		-----*				
-17	51C678	. PULLEY ASSY, Release cable sta 120 escape seat (USAF)	1			
-18	AN507-1032R14	. SCREW	2			
	AN960-10	. WASHER	2			
	MS20365-1032	. NUT	2			
-19	51B685	. FAIRLEAD, Release cable sta 120 escape seat (USAF)	1			
-20	AN3-7A	. BOLT	2			
-21	51B677	. FAIRLEAD, Release cable sta 97 and 105 escape seat (USAF) (ATTACHING PARTS)	2			
-22	AN3-5A	. BOLT	4			
	AN960-10	. WASHER	4			
	MS20365-1032	. NUT	4			
		-----*				
-23	2119391-2	. HINGE, Female (18355) (ATTACHING PARTS)	2			
	AN510-10R14	. SCREW	5			
	AN960-10	. WASHER	5			
	MS2-365-1032	. NUT	5			
		-----*				
-24	AN520-10R16	. SCREW	2			
	51B692	. CLIP, Safety release cable escape seat (USAF)	2			
-25	2119464-2	. HINGE, Male (18355) (ATTACHING PARTS)	2			
	AN510-10R11	. SCREW	7			
	AN960-10	. WASHER	7			
	MS20365-1032	. NUT	7			
		-----*				
-26	51A686	. SPACER, Male hinge access door escape seat (USAF)	1			
	51C646	. BRACKET ASSY, Release handle escape seat (USAF) (ATTACHING PARTS)	1			
	AN526-1032-8	. SCREW	2			
	AN3-5A	. BOLT	3			
	AN960-10	. WASHER	3			
	MS20365-1032	. NUT	3			
		-----*				
-27	51A670	. FAIRLEAD, Release cable lower box structure (USAF) (ATTACHING PARTS)	1			
	AN3-5A	. BOLT	2			
	AN960-10	. WASHER	2			
	MS20365-1032	. NUT	2			
		-----*				

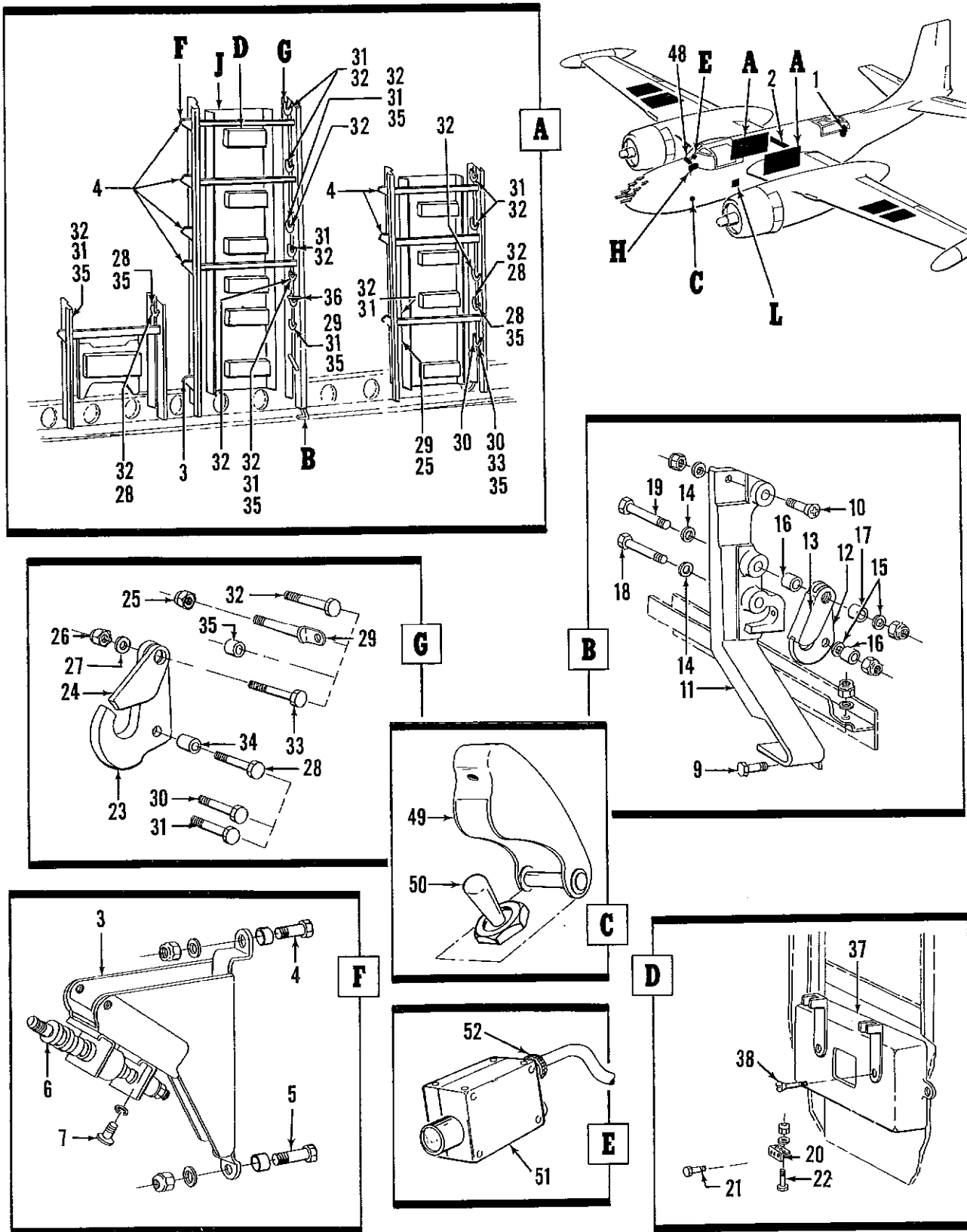


Figure 90. Fuselage Armament Installation (Sheet 1 of 2)

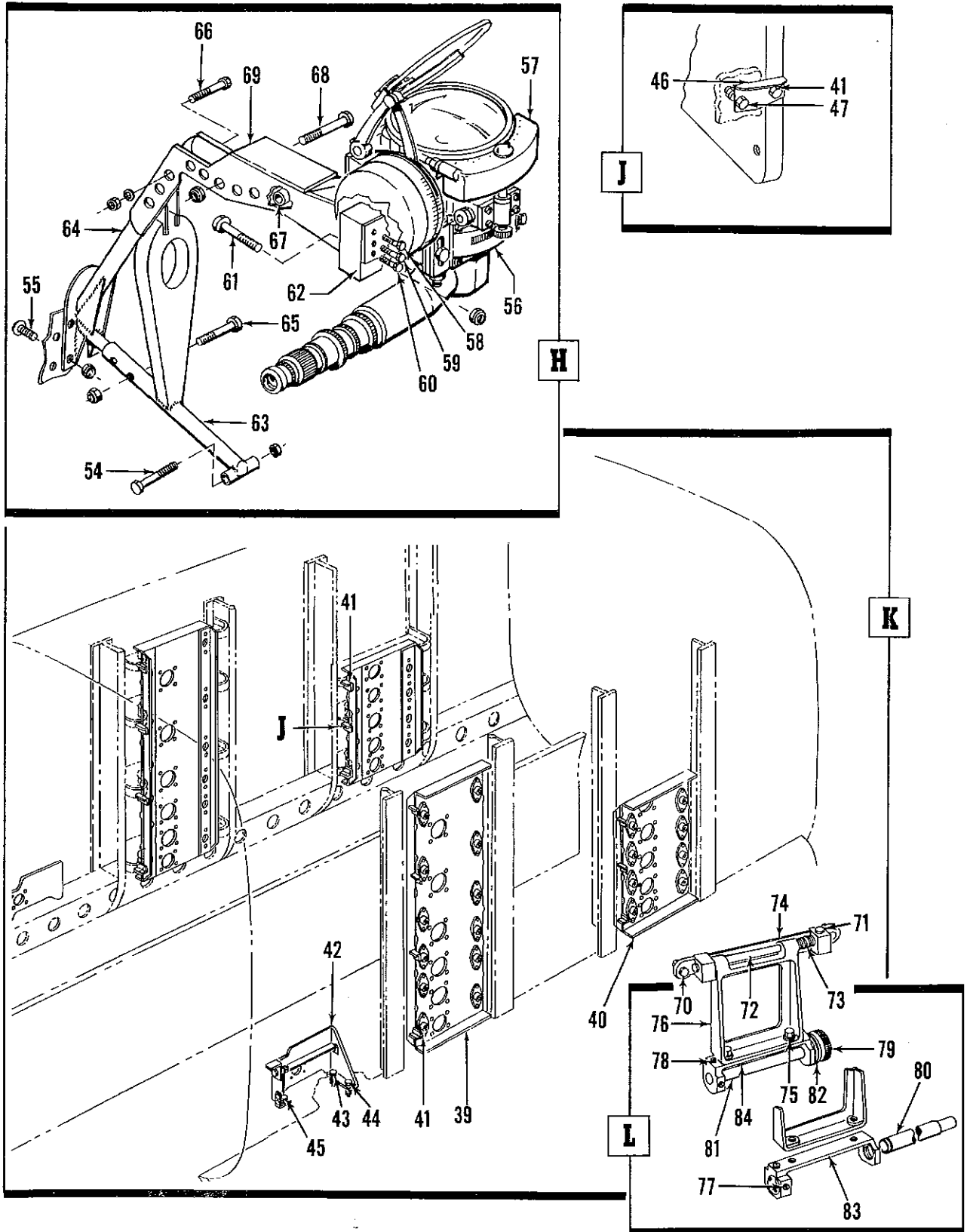


Figure 90. Fuselage Armament Installation (Sheet 2 of 2)

Section II
Group Assembly Parts List

T.O. 1B-26K-4

FIG. AND INDEX NO.	PART NUMBER	DESCRIPTION	UNITS PER ASSY	USABLE ON CODE
90-	26-11001	ARMAMENT INSTL, Fuselage (for NHA see fig. 2)	REF	
-1	26-11003	. . . EQUIPMENT INSTL, Fuselage pneumatic, gun charging (for	NP	
	26-11001-1	. . . ARMAMENT INSTL, Fuselage nose (altered from 5205772	NP	
		less 5153278 (18355)		
-2	512275	. . . BOMB HOIST INSTL (18355) (for details see fig. 91)	NP	
	5150073	. . . UNIT INSTL, Bomb rack fusing (18355)	NP	
-3	4155720	. . . SUPPORT ASSY, Bomb rack selective fusing unit (18355)	14	
		(ATTACHING PARTS)		
	MS20365-1032 NUT	28	
	AN960D10 WASHER	28	
	138275-6-18 SPACER (18355)	14	
-4	AN3-5A BOLT	14	
	138275-6-56 SPACER (18355)	14	
-5	AN3-15A BOLT	14	
		*-----		
-6	43B9887 CONTROL, Bomb arming type AN-A-2 (GFE)	14	
		(ATTACHING PARTS)		
	AN935-1CL WASHER	56	
-7	AN501A10-8 SCREW	56	
		*-----		
	5205755	. . . RAIL INSTL, Removable bomb (18355)	NP	
	5205756	. . . RAIL ASSY, Removable bomb LH (18355)	1	
	5205756-1	. . . RAIL ASSY, Removable bomb RH (18355)	1	
		(ATTACHING PARTS)		
	MS20365-428 NUT	5	
	AN960D416 WASHER	5	
-8	AN4-6A BOLT	3	
-9	AN4-7A BOLT	1	
		*-----		
-10	1G29421-416-12 SCREW, Flathead 100° recessed (18355)	1	
-11	5205756-2 RAIL, LH (18355)	1	
	5205756-3 RAIL, RH (18355)	1	
-12	43A12153 HOOK, Bomb rack carrying (18355)	1	
-13	43A10571 LATCH ASSY, Bomb rack carrying hook (18355)	1	
		(ATTACHING PARTS)		
	MS20365-624 NUT	2	
-14	AN960-616 WASHER	2	
-15	AN960D616 WASHER	2	
-16	1205670 SPACER	2	
-17	1205602 SPACER	1	
-18	AN6-11A BOLT	1	
-19	AN6-13A BOLT	1	
		*-----		
-20	1150923 CLIP, Removable bomb rail lower (18355)	1	
		(ATTACHING PARTS)		
	MS20365-428 NUT	3	
	AN960D416 WASHER	3	
-21	AN4-6A BOLT	2	
-22	AN4-7A BOLT	1	
		*-----		
-23	43A12153 HOOK, Bomb rack carrying (18355)	46	
-24	43A10571 LATCH ASSY, Bomb rack carrying hook (18355)	46	
-25	MS20364-624 NUT	2	
-26	MS2035-624 NUT	AR	
-27	AN960-616 WASHER	AR	
-28	AN6-13A BOLT	AR	
-29	2206796 BOLT, Fragmentation bomb rack tie down eye (18355)	2	
-30	AN6-22A BOLT	2	
-31	AN6-12A BOLT	AR	
-32	AN6-14A BOLT	AR	
-33	AN6-21A BOLT	2	
-34	1205670 SPACER, Bomb rack hook latch (18355)	92	
-35	1205602 SPACER, Bomb rack hook latch outer (18355)	46	
-36	33D5226 SHACKLE ASSY, Bomb type B7 (GFE)	16	

FIG. AND INDEX NO.	PART NUMBER	DESCRIPTION	UNITS PER ASSY	USABLE ON CODE
90-37	43G19840L 43G19840R	. . . RELEASE ASSY, Bomb rack LH type A4 (GFE) RELEASE ASSY, Bomb rack RH type A4 (GFE) (ATTACHING PARTS)	8 8	
-38	AN502-416-8	. . . SCREW -----*	16	
-39	5204984 5204794 5204794-1	. . . RACK INSTL, Demolition bomb (18355) PANEL ASSY, Forward bomb rack LH (18355) PANEL ASSY, Forward bomb rack RH (18355)	1 NP 1	
-40	5204884 5204884-1	. . . PANEL ASSY, Rear bomb rack LH (18355) PANEL ASSY, Rear bomb rack RH (18355) (ATTACHING PARTS)	1 1	
-41	MS20365-1032 AN960D10 AN3-4A	. . . NUT WASHER BOLT -----*	16 16 16	
-42	5204792 5204792-1	. . . SUPPORT ASSY, Forward bomb rack sta 128 LH (18355) SUPPORT ASSY, Forward bomb rack sta 128 RH (18355) (ATTACHING PARTS)	1 1	
-43	MS20365-1032 AN960D10 AN3-5A	. . . NUT WASHER BOLT	6 6 2	
-44	AN3-10A	. . . BOLT	2	
-45	AN3-7A	. . . BOLT -----*	2	
-46	1192259 1192259-1	. . . SUPPORT ASSY, Rear bomb rack sta 150 lower LH (18355) SUPPORT ASSY, Rear bomb rack sta 150 lower RH (18355) (ATTACHING PARTS)	1 1	
-47	MS20365-428 AN960D1416L AN4-11A	. . . NUT WASHER BOLT -----*	2 2 2	
-48	26-2604-400 NAS220-8	. . . PANEL ASSY, Armament control sta 34 (for details see fig. 93) (ATTACHING PARTS) . . . SCREW -----*	1 7	
-49	MS25224-1	. . . GUARD, Switch	1	
-50	MS35058-22 AN526-632R6	. . . SWITCH, Armament over-ride (ATTACHING PARTS) . . . SCREW -----*	1 2	
-51	KB3	. . . CAMERA, Motion picture (93319) (for details see T. O. 10A1-2-5-1)	1	
-52	MS3106A16S1S	. . . CONNECTOR	1	
-53	MS3106-14S3S 26-9257-1 MS20365-428A AN960-416	. . . SUPPORT ASSY, Gunsight instl, MK20 mod 4, sta 10.38 to 31.48 NUT WASHER BOLT	1 1 2 1	
-54	AN4-30A MS20365-1032A AN960-10	. . . NUT WASHER SCREW	4 8 4	
-55	NAS221-7	. . . BRACKET, Lamp, gunsight	1	
-56	26-11004-1	. . . GUNSIGHT, MK20 mod 4 (GFE)	1	
-57	NO NUMBER	(ATTACHING PARTS) . . . NUT WASHER BOLT	4 4 2	
-58	MS20365-624 AN960-616L AN6-13A	. . . BOLT BOLT	2 2	
-59	AN6-17A MS20365-524 AN960-516L	. . . NUT WASHER BOLT -----*	2 2 2	
-61	MS20365-524 AN960-516L AN5-13A	. . . NUT WASHER BOLT	2 4 2	

Section II
Group Assembly Parts List

T.O. IB-26K-4

FIG. AND INDEX NO.	PART NUMBER	DESCRIPTION	UNITS PER ASSY	USABLE ON CODE
90-62	26-9257-17	. . . PLATE	1	
-63	26-9257-7	. . . SUPPORT ASSY	1	
-64	26-9257-5	. . . SUPPORT ASSY (ATTACHING PARTS)	1	
	MS20365-1032A	. . . NUT	2	
	AN960-10	. . . WASHER	4	
-65	AN3-11A	. . . BOLT	2	
	MS20365-1032A	. . . NUT	6	
	AN960-10	. . . WASHER	12	
-66	AN3-13A	. . . BOLT -----*	6	
-67	26-9257-25	. . . SPACER	1	
	MS20365-1032A	. . . NUT	3	
	AN960-10	. . . WASHER	6	
-68	AN3-13A	. . . BOLT	3	
-69	26-9257-3	. . . CHANNEL ASSY	1	
	5209741	. . . FIXTURE INSTL, Bomb bay boresighting (18355)	NP	
	3209798	. . . FIXTURE ASSY, Bomb bay boresighting (18355)	2	A
	3277849	. . . FIXTURE ASSY, Bomb bay boresighting (18355) (ATTACHING PARTS)	2	B
	MS20365-1032	. . . NUT	2	A, B
	AN960-10	. . . WASHER	2	A, B
-70	AN3-5A	. . . BOLT -----*	2	A, B
-71	AN393-27	. . . PIN (18355)	1	A, B
-72	2209754	. . . SHAFT, Bomb bay boresighting fixture (18355)	1	A, B
-73	2209757	. . . SPRING, Bomb bay boresighting fixture (18355)	1	A, B
-74	4209756	. . . BASE, Bomb bay boresighting fixture (18355)	1	A, B
	MS20365-1032	. . . NUT	2	A, B
	AN3-10	. . . WASHER	2	A, B
-75	AN3-7A	. . . BOLT	2	A, B
-76	4209755	. . . FIXTURE, Bomb bay boresighting (18355)	1	A, B
-77	AN565B10-4	. . . SCREW	4	A
-78	AN565B10-5	. . . SCREW	4	B
-79	SP5097	. . . COUPLING (06650)	1	B
-80	2209753	. . . TUBE, Bomb bay boresighting fixture (18355)	1	A
	2276163	. . . SHAFT ASSY, Bomb bay boresighting fixture (18355)	1	B
-81	2276164	. . . SHAFT, Bomb bay boresighting fixture (18355)	1	B
-82	SP5096	. . . FLANGE (06650)	1	B
-83	4209752	. . . SUPPORT, Bomb bay boresighting fixture tube (18355)	1	A
-84	4277867	. . . SUPPORT, Bomb bay boresighting fixture tube (18355)	1	B
		A - USAF 17641 thru 17646, 17648 thru 17649, 17651, 17653 thru 17655, 17657, 17659, 17661 thru 17767, 17672 thru 17679		
		B - USAF 17640, 17647, 17650, 17652, 17656, 17658, 17660, 17668 thru 17671		

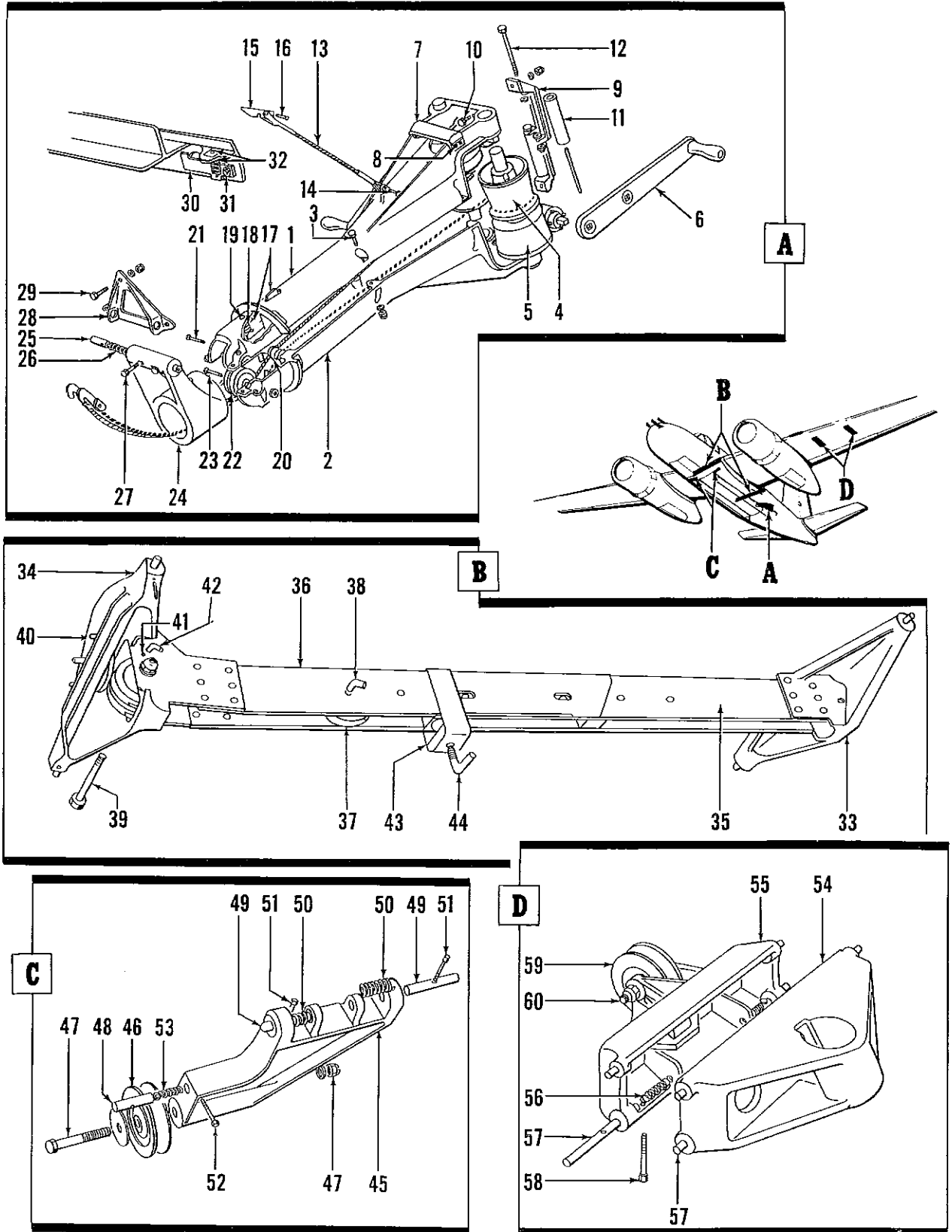


Figure 91. Bomb Hoist Installation

**Section II
Group Assembly Parts List**

T.O. 1B-26K-4

FIG. AND INDEX NO.	PART NUMBER	DESCRIPTION	UNITS PER ASSY	USABLE ON CODE
91-	5122275	BOMB HOIST INSTL (18355) (for NHA see fig. 90)	REF	
	5122277	HOIST ASSY, Bomb (18355)	1	
-1	5125606-2	HOUSING ASSY, Bomb hoist upper (18355)	1	
-2	5125606-4	HOUSING ASSY, Bomb hoist lower (18355)	1	
		(ATTACHING PARTS)		
	MS20365-1032	NUT	8	
	AN960D10	WASHER	8	
-3	AN3-6A	BOLT	8	
		-----*		
	5152260	WINDLASS, Demolition bomb hoist LH (18355)	1	
	5152260-1	WINDLASS, Demolition bomb hoist RH (18355)	1	
-4	2151697	DRUM, Demolition bomb hoist windlass (18355)	1	
-5	36H5311	HOIST ASSY, Bomb type C3 (GFE)	1	
	1151470	CLAMP, Demolition bomb hoist cable (18355)	1	
		(ATTACHING PARTS)		
	MS20365-428	NUT	1	
		-----*		
-6	5122277-2	HANDLE, Bomb hoist (18355)	1	
-7	5122277-4	PLATE, Bomb hoist handle (18355)	2	
		(ATTACHING PARTS)		
	MS20365-632	NUT	8	
	AN960-10	WASHER	8	
-8	AN515-6-12	SCREW	8	
		-----*		
-9	5123455	SUPPORT, Bomb hoist roller (18355)	1	
		(ATTACHING PARTS)		
	MS20365D428	NUT	2	
	AN960D416	WASHER	2	
-10	AN4DD6A	BOLT	2	
		-----*		
-11	1151354	ROLLER ASSY, Bomb hoist cable (18355)	2	
		(ATTACHING PARTS)		
	AN320-3	NUT	2	
	1026614G3-229	SPACER (18355)	2	
	AN960-516	WASHER	4	
-12	AN3-42	BOLT	2	
		-----*		
-13	2158542	CABLE ASSY, Bomb hoist supporting (18355)	1	
		(ATTACHING PARTS)		
-14	AN393-25	PIN	1	
		-----*		
-15	1156780	FITTING (18355)	1	
-16	AN393-13	PIN	1	
-17	2123217	LEVER (18355)	1	
-18	1122812	SPRING (18355)	1	
-19	1122811	PIN (18355)	1	
-20	FL3C6	BEARING, Ball (86174)	2	
		(ATTACHING PARTS)		
-21	AN393-47	PIN	2	
	AN960C10	WASHER	4	
		-----*		
-22	1125947	PULLEY ASSY (18355)	2	
		(ATTACHING PARTS)		
-23	AN395-61	PIN	2	
	AN960C516	WASHER	2	
		-----*		
-24	4155968	SOCKET ASSY, Lower bomb hoist support (18355)	1	
	5128478	SOCKET, Lower bomb hoist support (18355)	1	
-25	1128730	PIN (18355)	2	
-26	1128731	SPRING (18355)	1	
-27	1150403	PIN (18355)	2	
	5128556	BRACKET INSTL, Bomb hoist support (18355)	1	
-28	4128221	BRACKET (18355)	2	
		(ATTACHING PARTS)		
	MS20365-428	NUT	6	
	AN960-416	WASHER	6	
-29	AN4-10A	BOLT	6	
		-----*		

FIG. AND INDEX NO.	PART NUMBER	DESCRIPTION	UNITS PER ASSY	USABLE ON CODE
91-30	1156779	. . LATCH (18355) (ATTACHING PARTS)	2	
	MS20365-1032	. . NUT	2	
	NAS43HT3-06	. . SPACER	2	
-31	1087510-10-10	. . SCREW (18355) -----*	2	
-32	1156778	. . SPRING (18355)	2	
	AN960D416	. . WASHER	2	
	5125787	. BEAM ASSY, Bomb hoist (18355)	1	
-33	5125784	. . SUPPORT ASSY, RH (18355)	1	
-34	5125785	. . SUPPORT ASSY, LH (18355)	1	
-35	5125782	. . CHANNEL ASSY, RH (18355)	1	
-36	5125783	. . CHANNEL ASSY, LH (18355)	1	
-37	1125947	. . PULLEY ASSY (18355) (ATTACHING PARTS)	4	
-38	1127618	. . PIN (18355)	8	
-39	AN5-33A	. . BOLT	4	
	AN960C516	. . WASHER	8	
	MS20365-524	. . NUT -----*	4	
-40	AN393-43	. . PIN	2	
-41	2126687	. . PIN (18355)	1	
-42	125522	. . PIN (18355)	3	
-43	2129389	. . STRAP (18355)	1	
-44	1150466	. . SCREW (18355)	1	
	1150465	. . WASHER (18355)	1	
	5127966	. BOMB HOIST INSTL, Pulley bracket sta 123 (18355)	NP	
	5127967	. . BRACKET ASSY, Bomb hoist pulley (18355)	1	
-45	4127542	. . BRACKET (18355)	1	
-46	1125947	. . PULLEY (18355) (ATTACHING PARTS)	1	
	AN310-5	. . NUT	1	
	AN970-5	. . WASHER	1	
	AN960-516	. . WASHER	1	
-47	AN5-21	. . BOLT -----*	1	
-48	1127684	. . GUARD (18355)	1	
-49	1127686	. . PIN (18355)	1	
-50	1127685	. . SPRING (18355)	1	
-51	1125952	. . PIN (18355)	2	
-52	1150403	. . PIN (18355)	1	
-53	1127683	. . SPRING (18355)	2	
	5125686	. SUPPORT ASSY, Wing bomb hoist attaching outboard (18355)	1	
	5125683	. SUPPORT ASSY, Wing bomb hoist attaching inboard (18355)	1	
-54	5125684	. . SUPPORT ASSY (18355) (used on 5125686)	1	
-55	5125685	. . SUPPORT ASSY (18355) (used on 5125683)	1	
-56	1125953	. . SPRING (18355)	2	
-57	1125950	. . PLUNGER (18355)	2	
-58	1125952	. . PIN (18355)	2	
-59	1125947	. . PULLEY (18355) (used on 5125683) (ATTACHING PARTS)	1	
	AN310-5	. . NUT	1	
	AN960D516	. . WASHER	1	
-60	AN5-15	. . BOLT -----*	1	

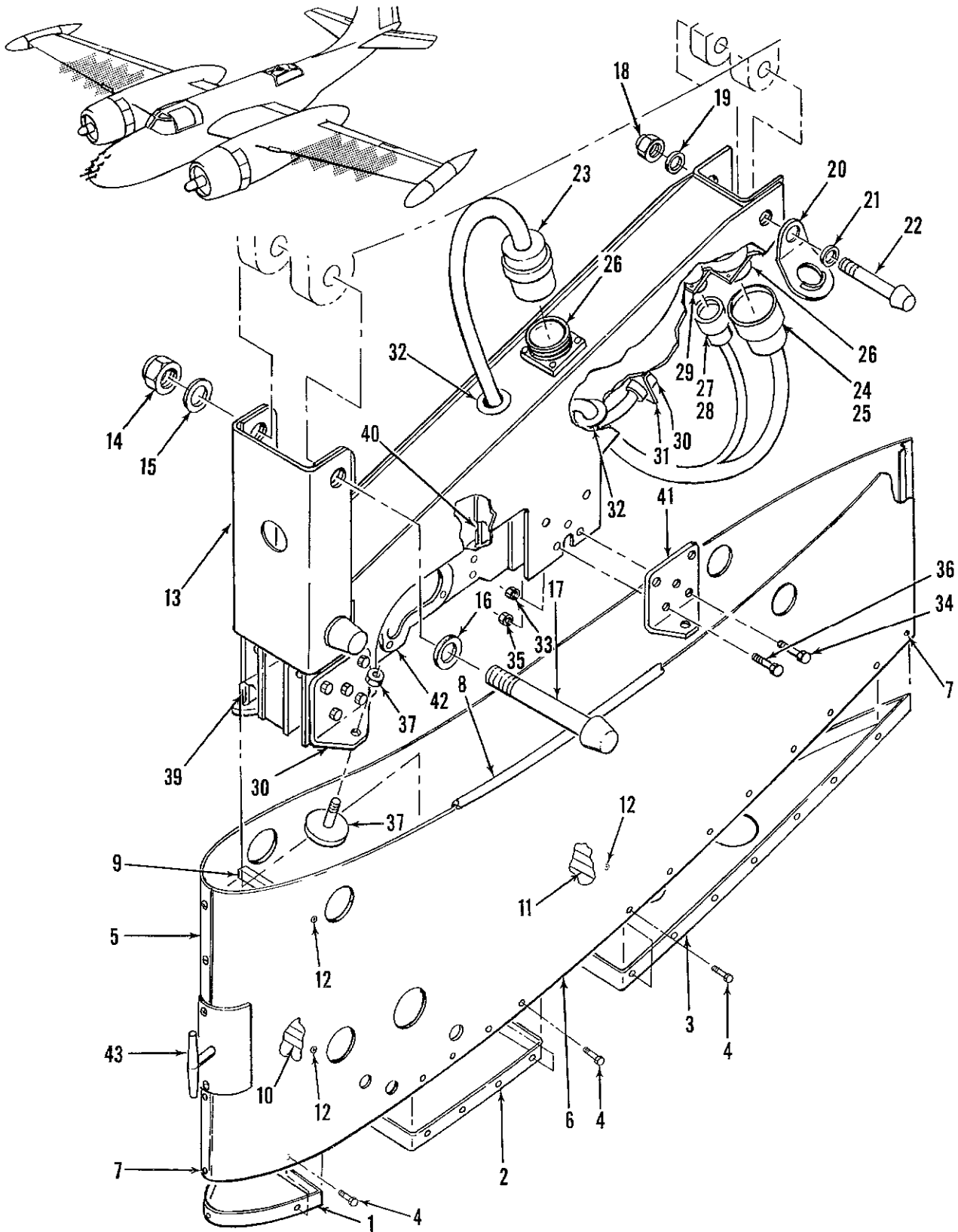


Figure 92. External Wing Stores Pylon Installation

FIG. AND INDEX NO.	PART NUMBER	DESCRIPTION	UNITS PER ASSY	USABLE ON CODE
92-	26-1010	PYLON INSTL, External wing stores (for NHA see fig. 2)	REF	
	26-1013-15L	. FAIRING ASSY, Wing stores pylon (used on pylon 1 only)	1	
	26-1013-14L	. FAIRING ASSY, Wing stores pylon (used on pylon 2 only)	1	
	26-1013-13L	. FAIRING ASSY, Wing stores pylon (used on pylon 3 only)	1	
	26-1013-12L	. FAIRING ASSY, Wing stores pylon (used on pylon 4 only)	1	
	26-1013-12R	. FAIRING ASSY, Wing stores pylon (used on pylon 5 only)	1	
	26-1013-13R	. FAIRING ASSY, Wing stores pylon (used on pylon 6 only)	1	
	26-1013-14R	. FAIRING ASSY, Wing stores pylon (used on pylon 7 only)	1	
	26-1013-15R	. FAIRING ASSY, Wing stores pylon (used on pylon 8 only)	1	
-1	26-1013-33	. RIB, Forward (used with large stores only)	1	
	26-1013-35	. RIB, Forward (used with small stores only)	1	
-2	26-1013-39	. RIB, Center (used with large stores only)	1	
	26-1013-37	. RIB, Center (used with small stores only)	1	
-3	26-1013-41	. RIB, Aft (used with large stores only)	1	
	26-1013-43	. RIB, Aft (used with small stores only)	1	
		(ATTACHING PARTS)		
-4	NAS220-8	. SCREW	30	
		-----*		
-5	26-1013-19	. PANEL ASSY, Fairing (used on 26-1013-12L and 26-1013-12R)	1	
	26-1013-23	. PANEL ASSY, Fairing (used on 26-1013-13L and 26-1013-13R)	1	
	26-1013-27	. PANEL ASSY, Fairing (used on 26-1013-14L and 26-1013-14R)	1	
	26-1013-31	. PANEL ASSY, Fairing (used on 26-1013-15L and 26-1013-15R)	1	
-6	26-1013-17	. PANEL ASSY, Fairing (used on 26-1013-12L and 26-1013-12R)	1	
	26-1013-21	. PANEL ASSY, Fairing (used on 26-1013-13L and 26-1013-13R)	1	
	26-1013-25	. PANEL ASSY, Fairing (used on 26-1013-14L and 26-1013-14R)	1	
	26-1013-29	. PANEL ASSY, Fairing (used on 26-1013-15L and 26-1013-15R)	1	
		(ATTACHING PARTS)		
-7	AN526-428-R8	. SCREW	8	
		-----*		
-8	0-38-39	. SEAL (92108)	1	
-9	26-1013-45	. SUPPORT ASSY, Fairing	1	
-10	26-1013-47	. SUPPORT ASSY, Fairing (used on 26-1013-12L and -12R)	1	
	26-1013-45	. SUPPORT ASSY, Fairing (used on 26-1013-13L, -13R, -14L, -14R, -15L, and -15R)	1	
-11	26-1013-49	. SUPPORT ASSY, Fairing	1	
		(ATTACHING PARTS)		
-12	AN526-428R8	. SCREW	6	
		-----*		
-13	26-1010-2	. MOUNT ASSY, Vertical	8	
		(ATTACHING PARTS)		
-14	MS20365-1414C	. NUT	16	
-15	MS20002-14	. WASHER	AR	
-16	MS20002C14	. WASHER	16	
-17	MS20014-76	. BOLT	16	
		-----*		
	26-1010-1	. MOUNT ASSY, Diagonal	8	
		(ATTACHING PARTS)		
-18	MS20365-1018C	. NUT	8	
-19	MS20002-10	. WASHER	AR	
-20	26-1165-1	. TIE-DOWN BRACKET (used on pylon 1 and 8 only)	2	
-21	MS20002C10	. WASHER	8	
-22	MS20010-60	. BOLT	6	
	MS20010-64	. BOLT (used on pylon 1 and 8 only)	2	
		-----*		
-23	MS3106E28-20P	. CONNECTOR	1	
-24	MS3107B28-9S	. CONNECTOR	1	
-25	MS3057-16	. ADAPTER	1	
-26	26-1010-28	. RECEPTACLE, Dummy (altered from CA2182-10) (71468)	2	
		(ATTACHING PARTS)		
	AN500A6-8	. SCREW	8	
		-----*		
-27	MS3107B14-5S	. CONNECTOR	1	
-28	MS3057-6	. ADAPTER	1	
-29	26-1010-29	. RECEPTACLE, Dummy (altered from CA2182-17) (71468)	1	

Section II
Group Assembly Parts List

T.O. 1B-26K-4

FIG. AND INDEX NO.	PART NUMBER	DESCRIPTION	UNITS PER ASSY	USABLE ON CODE
92-		(ATTACHING PARTS)		
-30	AN500A4-8	. . . SCREW	4	
	MS3100E18-1S	. . . CONNECTOR	1	
	MS20365-632	. . . NUT	4	
	AN960-6	. . . WASHER	4	
	AN515-6R8	. . . SCREW	4	
		-----*		
-31	26-1010-30	. . . BRACKET, Connector	1	
		(ATTACHING PARTS)		
	AN500A4-8	. . . SCREW	4	
		-----*		
-32	G51HD	. . . GROMMET (03296)	3	
	26-1050-1	. . . BRACE ASSY, Sway	8	
	26-1051-1	. . . BRACE ASSY, Sway (used on pylon 4 and 5 only) (for large stores only)	2	
	26-1050-2	. . . BRACE ASSY, Sway	8	
	26-1051-2	. . . BRACE ASSY, Sway (used on pylon 4 and 5 only) (for large stores only)	2	
	26-1050-3	. . . BRACE ASSY, Sway	8	
	26-1051-3	. . . BRACE ASSY, Sway (used on pylon 4 and 5 only) (for large stores only)	2	
	26-1050-2	. . . BRACE ASSY, Sway	8	
	26-1051-4	. . . BRACE ASSY, Sway (used on pylon 4 and 5 only) (for large stores only)	2	
		(ATTACHING PARTS)		
-33	MS20365-524	. . . NUT	32	
-34	AN5-6	. . . BOLT	32	
-35	MS20365-624	. . . NUT	128	
-36	AN6-6	. . . BOLT	128	
		-----*		
-37	26-1011	. . . SCREW ASSY, Sway brace	1	
-38	26-1050-5	. . . BRACE, Sway (used on 26-1050-1)	1	
	26-1051-5	. . . BRACE, Sway (used on 26-1051-1)	1	
-39	26-1050-6	. . . BRACE, Sway (used on 26-1050-2)	1	
	26-1051-6	. . . BRACE, Sway (used on 26-1051-2)	1	
-40	26-1050-7	. . . BRACE, Sway (used on 26-1050-3)	1	
	26-1051-7	. . . BRACE, Sway (used on 26-1051-3)	1	
-41	26-1050-6	. . . BRACE, Sway (used on 26-1050-2)	1	
	26-1051-8	. . . BRACE, Sway (used on 26-1051-4)	1	
-42	MA4A	. . . BOMB RACK (GFE) (for details see T. O. 11B29-3-8-4)	8	
-43	26-1017	. . . EXTENSION CABLE, Manual bomb cocking	8	

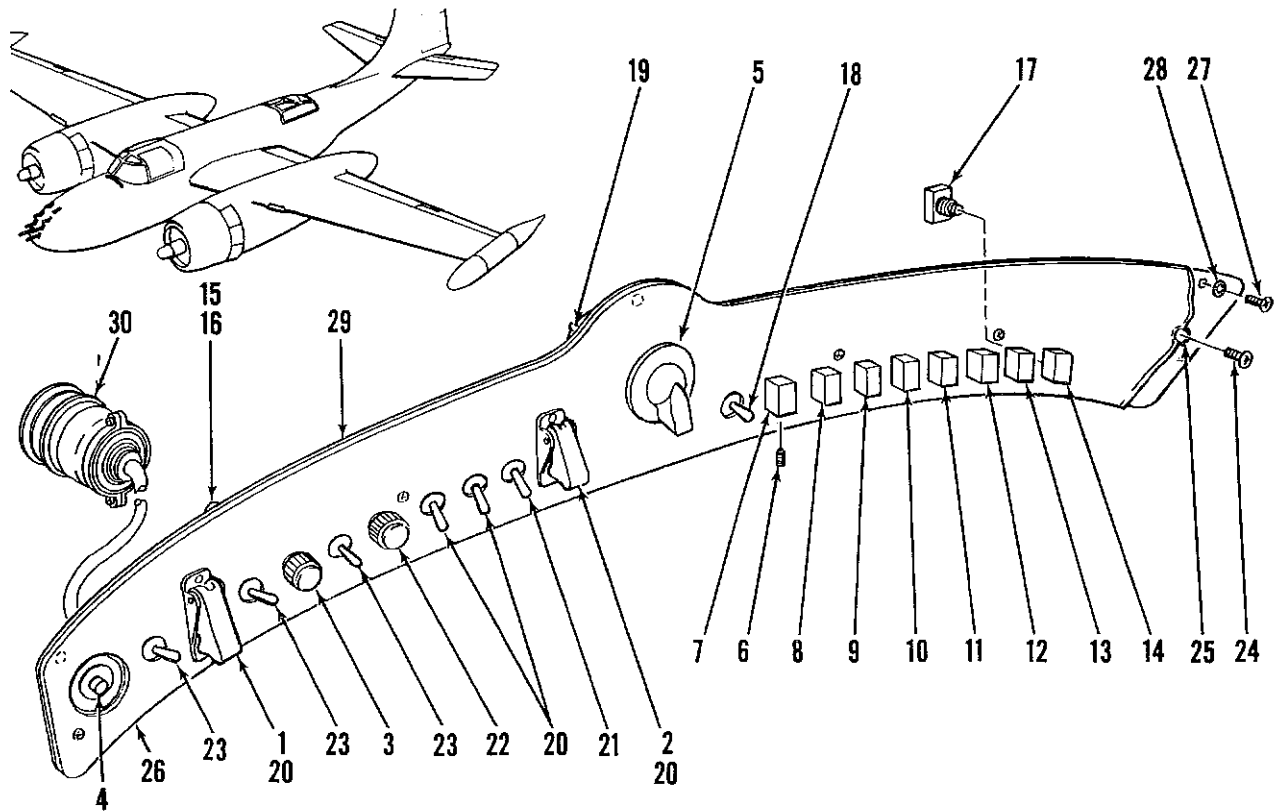


Figure 93. Armament Control Panel Assembly

FIG. AND INDEX NO.	PART NUMBER	DESCRIPTION	UNITS PER ASSY							USABLE ON CODE		
			1	2	3	4	5	6	7			
93-	26-2604-400	PANEL ASSY, Armament control (for NHA see fig. 90)								REF		
-1	26-2667-13	. GUARD, Switch, engraved (altered from MS25224-1)									1	
-2	26-2667-15	. GUARD, Switch, engraved (altered from MS25244-1)									1	
-3	MS25041-2	. LIGHT, Indicator									1	
-4	C100E3RSHR	. SWITCH (99707)									1	
-5	MS25170P2A	. KNOB									1	
-6	AN565D632H3A	. SETSCREW									8	
-7	26-2663-1	. KNOB, Safety, armament panel									1	
-8	26-2663-3	. KNOB, Safety, armament panel									1	
-9	26-2663-5	. KNOB, Safety, armament panel									1	
-10	26-2663-7	. KNOB, Safety, armament panel									1	
-11	26-2663-9	. KNOB, Safety, armament panel									1	
-12	26-2663-11	. KNOB, Safety, armament panel									1	
-13	26-2663-13	. KNOB, Safety, armament panel									1	
-14	26-2663-15	. KNOB, Safety, armament panel									1	
-15	MS25237-327	. LAMP									8	
-16	FSN855S1-9U	. LIGHT, Indicator (08717)									8	
-17	MS35058-21	. SWITCH									8	
-18	MS35058-21	. SWITCH									1	
-19	MS25002-3	. SWITCH									1	
-20	MS35058-22	. SWITCH									4	
-21	MS35059-23	. SWITCH									1	
-22	MS25041-3	. LIGHT, Indicator									1	
-23	MS35059-21	. SWITCH									3	
-24	AN500AD6-6	. SCREW									5	
-25	AN6227B1	. PACKING, Preformed									1	
-26	26-2604-1	. PANEL, Engraved, armament control									1	
-27	NAS220-8	. SCREW									7	
-28	AN960PD8L	. WASHER									7	
-29	26-2604-3	. PANEL, Armament control									1	
	EL-26-20	. WIRING HARNESS									1	
-30	RLK57-22C1 1-2POS	. CONNECTOR, Electrical, receptacle (71468)									1	

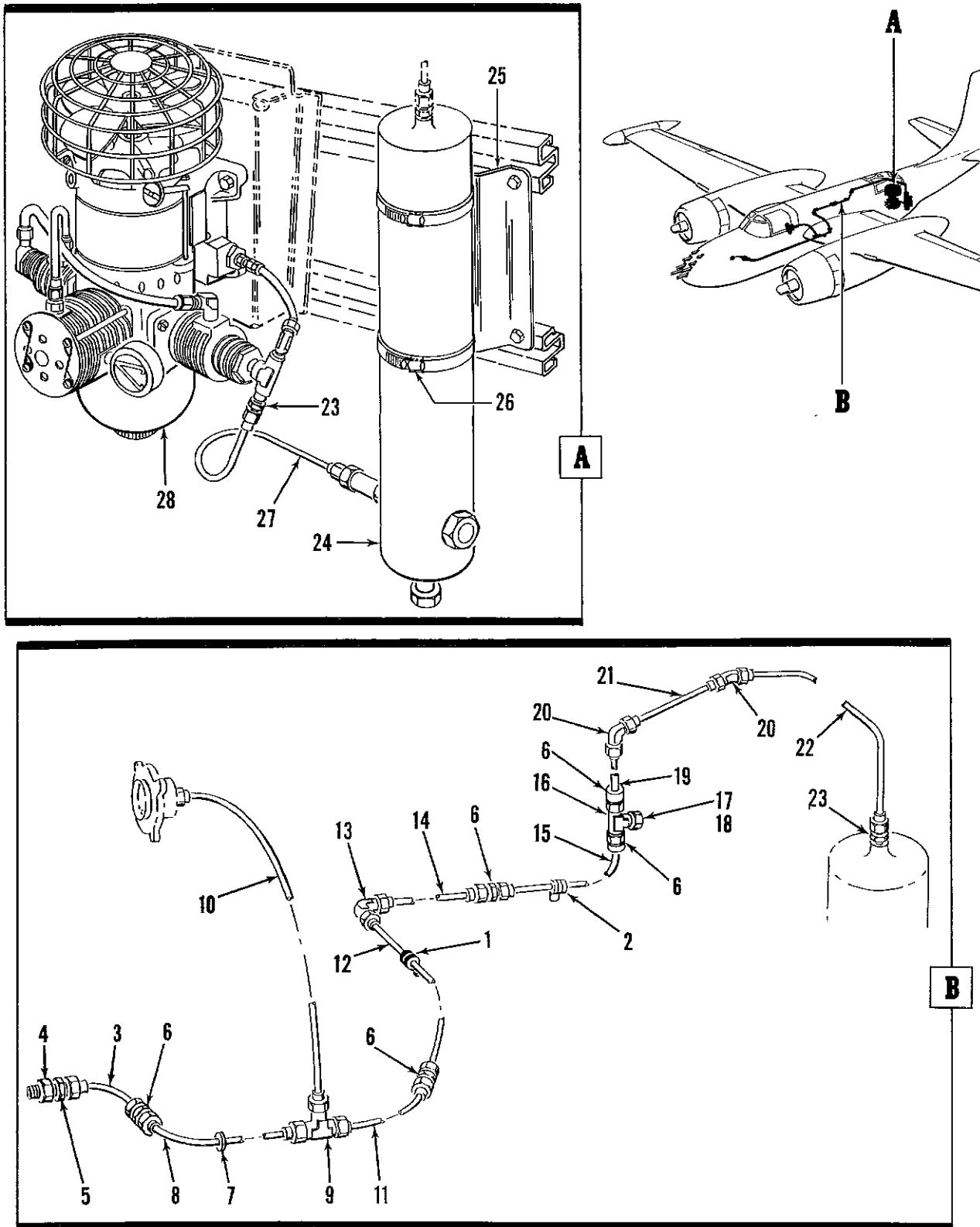


Figure 94. Fuselage Pneumatic Gun Charging Equipment Installation

FIG. AND INDEX NO.	PART NUMBER	DESCRIPTION 1 2 3 4 5 6 7	UNITS PER ASSY	USABLE ON CODE
94-	26-11003	GUN CHARGING EQUIPMENT INSTL, Fuselage pneumatic (for NHA see fig. 90)	REF	
-1	A2981-4	. CLAMP (78553)	5	
-2	A6246-8Z3	. CLIP (78553) (ATTACHING PARTS)	10	
	AN530-8-8	. SCREW -----*	15	
-3	26-11003-8	. TUBE ASSY, Metal	1	
	AN818-4D	. NUT	2	
	MS20819-4D	. SLEEVE	2	
-4	AN832-4D	. UNION	1	
-5	AN924-4D	. NUT	1	
-6	AN815-4D	. UNION	6	
-7	S-2210350-5-12	. GROMMET (18355)	1	
-8	4209771-524	. TUBE ASSY, Metal (18355)	1	
	AN818-4D	. NUT	2	
	MS20819-4D	. SLEEVE	2	
-9	AN824-4D	. TEE	1	
-10	26-11003-7	. TUBE ASSY, Metal	1	
-11	26-11003-6	. TUBE ASSY, Metal	1	
-12	4209771-508	. TUBE ASSY, Metal (18355)	1	
	AN818-4D	. NUT	6	
	MS20819-4D	. SLEEVE	6	
-13	AN833-4D	. ELBOW	1	
-14	4209771-518	. TUBE ASSY, Metal (18355)	1	
-15	26-11003-5	. TUBE ASSY, Metal	1	
	AN818-4D	. NUT	4	
	MS20819-4D	. SLEEVE	4	
-16	AN926-4D	. TEE	1	
-17	AN814-4D	. PLUG	1	
-18	AN902-4	. GASKET	1	
-19	26-11003-3	. TUBE ASSY, Metal	1	
	AN818-4D	. NUT	2	
	MS20819-4D	. SLEEVE	2	
-20	AN837-4D	. ELBOW	2	
-21	26-11003-2	. TUBE ASSY, Metal	1	
-22	26-11003-9	. TUBE ASSY, Metal	1	
	AN818-4D	. NUT	4	
	MS20819-4D	. SLEEVE	4	
-23	AN919-6D	. REDUCER	2	
-24	31G100	. TANK ASSY (14650) (For details see T.O. 9P2-3-11-4)	1	
-25	4278124	. BRACKET (18355) (ATTACHING PARTS)	1	
	MS20365-1032	. NUT	4	
	AN960-10	. WASHER	8	
	AN3-4A	. BOLT -----*	4	
-26	AN748-91	. CLAMP	2	
-27	26-11003-4	. TUBE ASSY, Metal	1	
	AN818-4D	. NUT	2	
	MS20819-4D	. SLEEVE	2	
-28	32R400	. COMPRESSOR ASSY (78385) (For details see T.O. 9P4-3-4-4) (ATTACHING PARTS)	1	
	AN4-7A	. BOLT	4	
	AN960-416	. WASHER -----*	4	

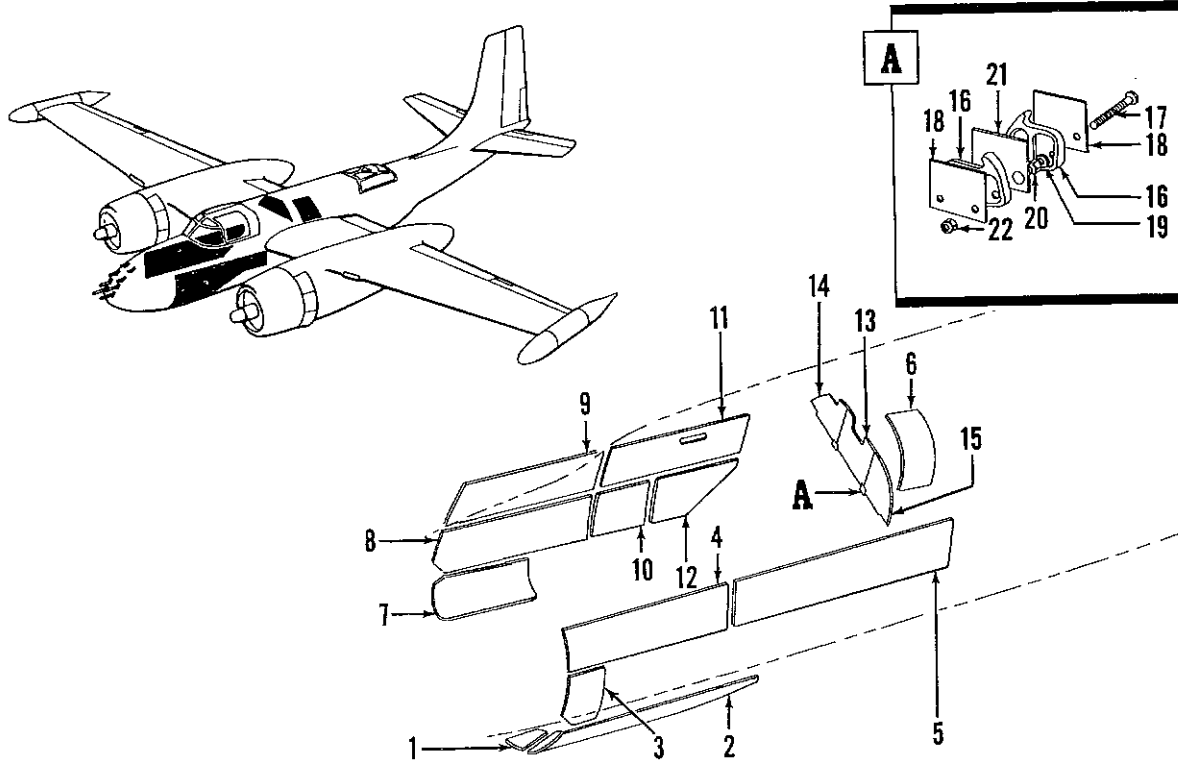


Figure 95. B26K Fuselage Armor Installation

FIG. AND INDEX NO.	PART NUMBER	DESCRIPTION	UNITS PER ASSY	USABLE ON CODE		
					1	2
95-	26-11002	ARMOR INSTL, B26K fuselage (altered from 5157317 (18355)) (for NHA see fig. 2)	REF			
	5194542	ARMOR PLATING INSTL, Fuselage outside (18355)	1			
	5194566	PLATE ASSY, Fuselage armor sta 0 to 49 lower LH (18355)	1			
-1	5194566-4	PLATE, Fuselage armor sta 0 to 49 lower LH (18355)	1			
-2	5194566-2	PLATE, Fuselage armor sta 0 to 49 lower LH (18355)	1			
-3	4193485	PLATE, Fuselage armor longeron 10 to 13 forward outer LH (18355)	1			
-4	5194534	PLATE, Armor cockpit stiffener to longeron to forward LH (18355)	1			
-5	5194535	PLATE, Armor cockpit stiffener to longeron to aft LH (18355)	1			
-6	5194558	PLATE, Cockpit enclosure armor (18355)	1			
-7	5194630	PLATE, Armor sta 0 to 29 lower side RH (18355)	1			
-8	5194549	PLATE, Armor longeron 11 to 13 forward HR (18355)	1			
-9	5194536	PLATE, Armor cockpit stiffener to longeron 11 forward RH (18355)	1			
-10	4195233	PLATE, Breech pin access door armor RH (18355)	1			
-11	5194537	PLATE, Armor cockpit stiffener to longeron 11 aft RH (18355)	1			
-12	5194558	PLATE, Armor longeron 11 to 13 aft RH (18355)	1			
		(ATTACHING PARTS)				
	A1778M1	NUT (78553)	AR			
	MA20365-428	NUT	AR			
	1114189-28-12	SCREW (18355)	AR			
	1114189-28-14	SCREW (18355)	AR			
	AN509-416R39	SCREW	AR			
		-----*				

FIG. AND INDEX NO.	PART NUMBER	DESCRIPTION	UNITS PER ASSY	USABLE ON CODE
95-	5193195	. ARMOR PLATE INSTL, Fuselage sta 123 upper (18355)	1	
-13	4193452	. . PLATE, Fuselage armor sta 123 upper center (18355)	1	
-14	4207537	. . PLATE, Fuselage armor sta 123 upper RH (18355)	1	
-15	4193453	. . PLATE, Fuselage armor sta 123 upper LH (18355)	1	
-16	1193846	. . RETAINER (18355)	4	
-17	176000-4S26ND116	. . BOLT (18355)	4	
-18	5193195-8	. . PLATE (18355)	4	
-19	143908-009D016-093	. . WASHER (18355)	4	
-20	AN316-4R	. . NUT	4	
-21	5193195-10	. . PLATE (18355)	2	
-22	MS20365-428	. . NUT	4	

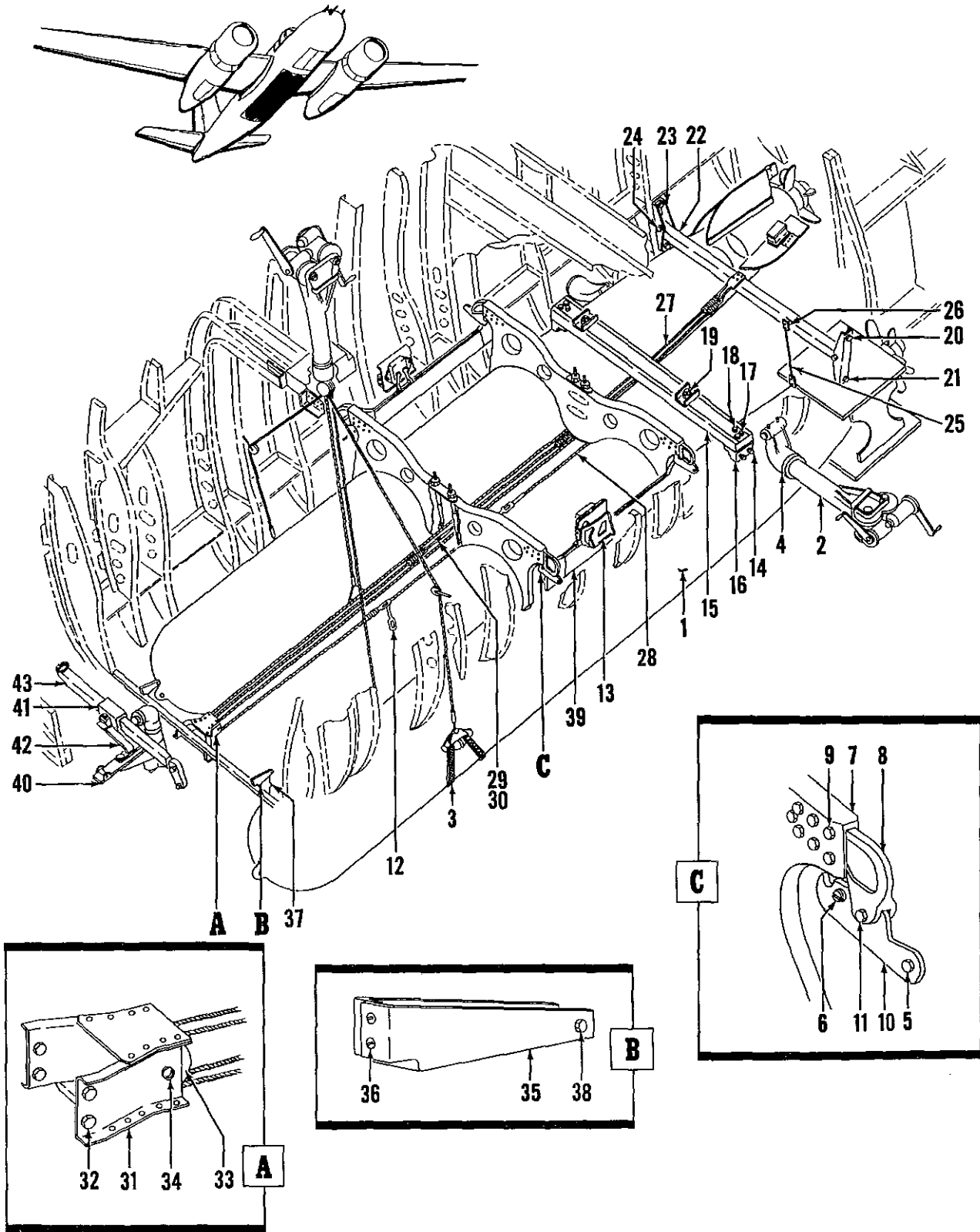


Figure 96. Torpedo Alternate Provision Installation

FIG. AND INDEX NO.	PART NUMBER	DESCRIPTION 1 2 3 4 5 6 7	UNITS PER ASSY	USABLE ON CODE
96-	5207115	PROVISION INSTL, Torpedo alternate (18355)	1	
	5207119	KIT ASSY, Torpedo alternate (18355) (for details see fig. 97)	1	
-1	1B0275196	. TORPEDO, MKXIII modulator with type II stabilizer (GFE)	2	
-2	5122277	. HOIST ASSY, Bomb (18355) (for details see fig. 91)	REF	
-3	42G2343-5	. SLING ASSY, Bomb hoist type A-1 (USAF)	2	
-4	4155970	. SOCKET ASSY, Torpedo hoist support (18355)	1	
	5159582	. BEAM ASSY, Torpedo complete cross (18355) (ATTACHING PARTS)	2	
	AN310-4	. NUT	2	
	AN960D416	. WASHER	2	
-5	AN4-13	. BOLT	2	
	AN310-5	. NUT	2	
	AN960D516	. WASHER	2	
-6	2035884-524-107	. BOLT (18355)	2	
		-----*-----		
-7	5152059	. BEAM ASSY, Torpedo cross (18355)	1	
-8	4151239	. FITTING, Torpedo beam end (18355) (ATTACHING PARTS)	2	
	MS20365-524	. NUT	14	
	AN960D10	. WASHER	14	
-9	AN5-13A	. BOLT	14	
		-----*-----		
-10	2159653	. FITTING, Torpedo sling support LH (18355)	1	
	2159654	. FITTING, Torpedo sling support RH (18355) (ATTACHING PARTS)	1	
	AN310-5	. NUT	1	
	AN960D10	. WASHER	1	
	1190786	. BUSHING (18355)	1	
-11	AN5-13A	. BOLT	1	
		-----*-----		
-12	4191401	. SLING ASSY, Torpedo release (18355) (ATTACHING PARTS)	4	
	AN315-10R	. NUT	4	
	AN316-10R	. NUT	4	
		-----*-----		
-13	5205113	. PANEL ASSY, Torpedo release complete LH (18355) (for details see fig.)	1	
	5205113-1	. PANEL ASSY, Torpedo release complete RH (18355) (for details see fig.)	1	
	5150160	. BEAM ASSY, Torpedo stop bolt (18355) (ATTACHING PARTS)	1	
	MS20365-524	. NUT	4	
	1026614-5-120	. SPACER (18355)	4	
	AN960D516	. WASHER	8	
	AN960-516	. WASHER	4	
-14	AN5-23A	. BOLT	4	
		-----*-----		
-15	5150159	. BEAM ASSY, Torpedo stop bolt (18355)	1	
-16	4129516	. FITTING (18355) (ATTACHING PARTS)	2	
	MS20365-428	. NUT	4	
	AN960D416	. WASHER	4	
-17	AN4-6A	. BOLT	4	
	MS20365-524	. NUT	2	
	AN960D516	. WASHER	2	
-18	AN5-6A	. BOLT	2	
		-----*-----		
	AN310-12	. NUT	2	
	2033900-14D049-123	. SPACER (18355)	2	
	AN960D1216	. WASHER	2	
	143908-025R102-062	. WASHER (18355)	4	
-19	2129399	. BOLT (18355)	2	
	3157873	. BEAM ASSY, Torpedo starting lanyard (18355) (ATTACHING PARTS)	1	
	MS20365-1032	. NUT	6	
	AN960D10	. WASHER	6	

Section II
Group Assembly Parts List

T.O. 1B-26K-4

FIG. AND INDEX NO.	PART NUMBER	DESCRIPTION	UNITS PER ASSY	USABLE ON CODE
96-20	AN3-7A	. BOLT	4	
-21	AN3-6A	. BOLT	2	
		-----*-----		
-22	3157873-6	. . BEAM ASSY, Torpedo starting lanyard (18355)	1	
-23	2159696	. . SUPPORT (18355)	2	
		(ATTACHING PARTS)		
	AN310-4	. . NUT	2	
	AN960D416	. . WASHER	2	
-24	AN4-26	. . BOLT	2	
		-----*-----		
-25	2074407-16-14-1100	. . CABLE ASSY (18355)	2	
		(ATTACHING PARTS)		
	MS20365-1032	. . NUT	4	
	AN960D10	. . WASHER	4	
-26	AN3-5A	. . BOLT	4	
		-----*-----		
-27	2190926	. CORD ASSY (18355)	2	
-28	2074408-8-8-2800	. CABLE ASSY (18355)	2	
-29	1192335	. LOOP (18355)	8	
	AN310-3	. NUT	8	
-30	AN3-6A	. BOLT	8	
-31	4152675	. BRACKET ASSY, Torpedo sling retrieving (18355)	1	
		(ATTACHING PARTS)		
	MS20365-1032	. NUT	4	
	AN960-10L	. WASHER	4	
-32	AN3-4A	. BOLT	4	
		-----*-----		
-33	139081-1	. ROLLER (18355)	2	
		(ATTACHING PARTS)		
	AN320-4	. NUT	2	
	AN960-416L	. WASHER	2	
	1026614-4-106	. SPACER (18355)	2	
-34	AN24-26	. BOLT	2	
		-----*-----		
-35	2202449	. BRACKET, Torpedo impeller lockwire support (18355)	2	
		(ATTACHING PARTS)		
	MS20365-832	. NUT	4	
	AN960D8L	. WASHER	4	
-36	AN515-8-8	. SCREW	4	
		-----*-----		
-37	1195858	. LANYARD ASSY, Torpedo impeller arming (18355)	2	
		(ATTACHING PARTS)		
	AN320-3	. NUT	2	
	AN960D10	. WASHER	2	
-38	AN3-12	. BOLT	2	
		-----*-----		
-39	41E4555	. SHACKLE, Type D6 bomb (GFE) (for details see	2	
		T.O. 11B40-3-2-4)		
	5195511	. DIRECTOR ASSY, Torpedo complete (18355)	1	
-40	R24789	. . DIRECTOR, Type B2 (GFE)	1	
-41	NO NUMBER	. . SLIDE ASSY, Director type B-2 (GFE)	1	
-42	2195127	. . SPACER ASSY, Torpedo director (18355)	1	
-43	3195628	. SUPPORT ASSY, Torpedo director sight horizon bar (18355)	1	

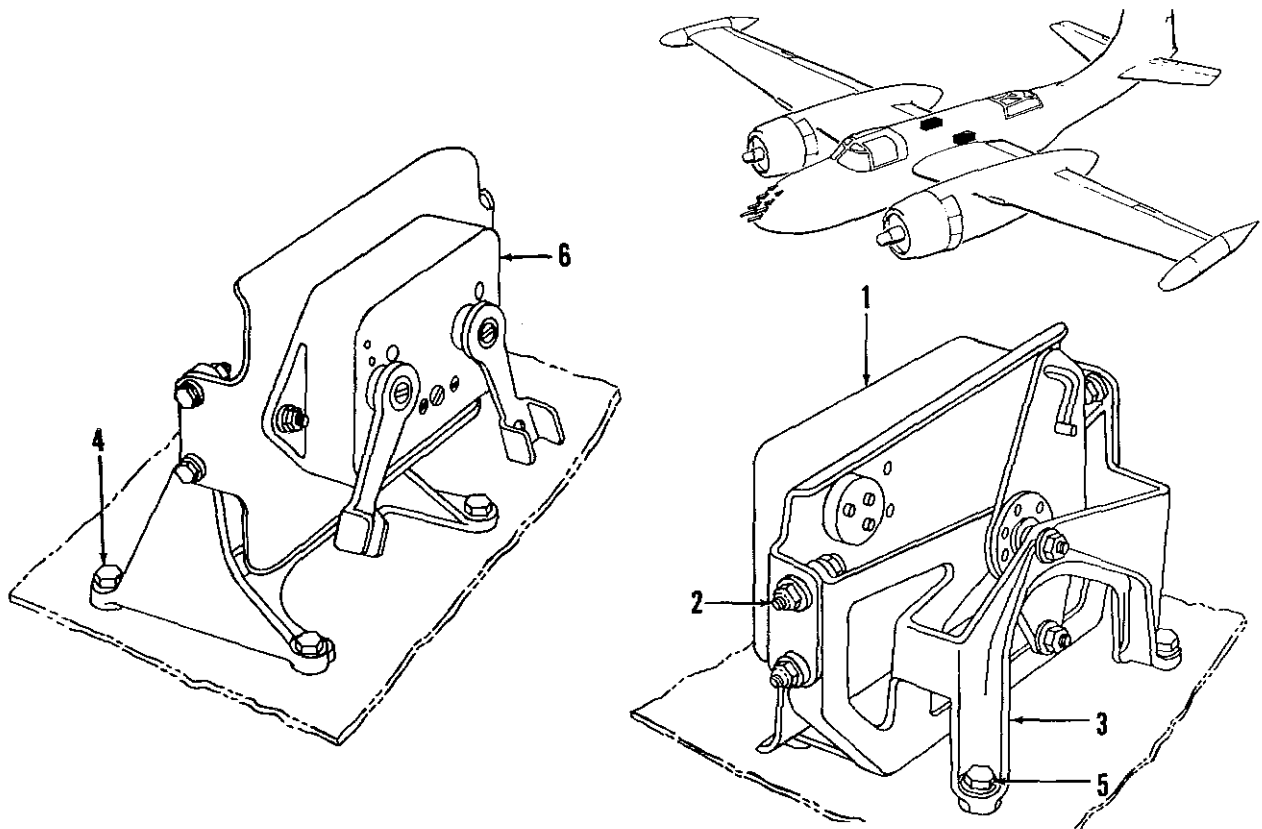


Figure 97. Torpedo Alternate Kit Assembly

FIG. AND INDEX NO.	PART NUMBER	DESCRIPTION	UNITS PER ASSY	USABLE ON CODE
97-	5207119	KIT ASSY, Torpedo alternate (18355) (for NHA see fig. 96)	REF	
	5205113 PANEL ASSY, Torpedo release complete LH (18355)	REF	
	5205113-1	(for NHA see fig.)		
	 PANEL ASSY, Torpedo release complete RH (18355)	REF	
		(for NHA see fig.)		
-1	4205112 PANEL, Torpedo release LH (18355)	1	
	4205112-1 PANEL, Torpedo release RH (18355)	1	
		(ATTACHING PARTS)		
	MS20365-1032 NUT	4	
	AN960D10 WASHER	4	
-2	AN3-6A BOLT	4	
		-----*		
-3	5205034 SUPPORT, Torpedo release panel LH (18355)	1	
	5205034-1 SUPPORT, Torpedo release panel RH (18355)	1	
		(ATTACHING PARTS)		
	MS20365-1032 NUT	4	
	AN960D10 WASHER	4	
-4	AN3-7A BOLT (Used on 5205034)	4	
-5	AN3-11A BOLT (Used on 5205034-1)	4	
		-----*		
-6	43G19840L RELEASE, Type A4 bomb rack LH (GFE)	1	
	43G19840R RELEASE, Type A4 bomb rack RH (GFE)	1	
	AN502-416-8 SCREW	4	

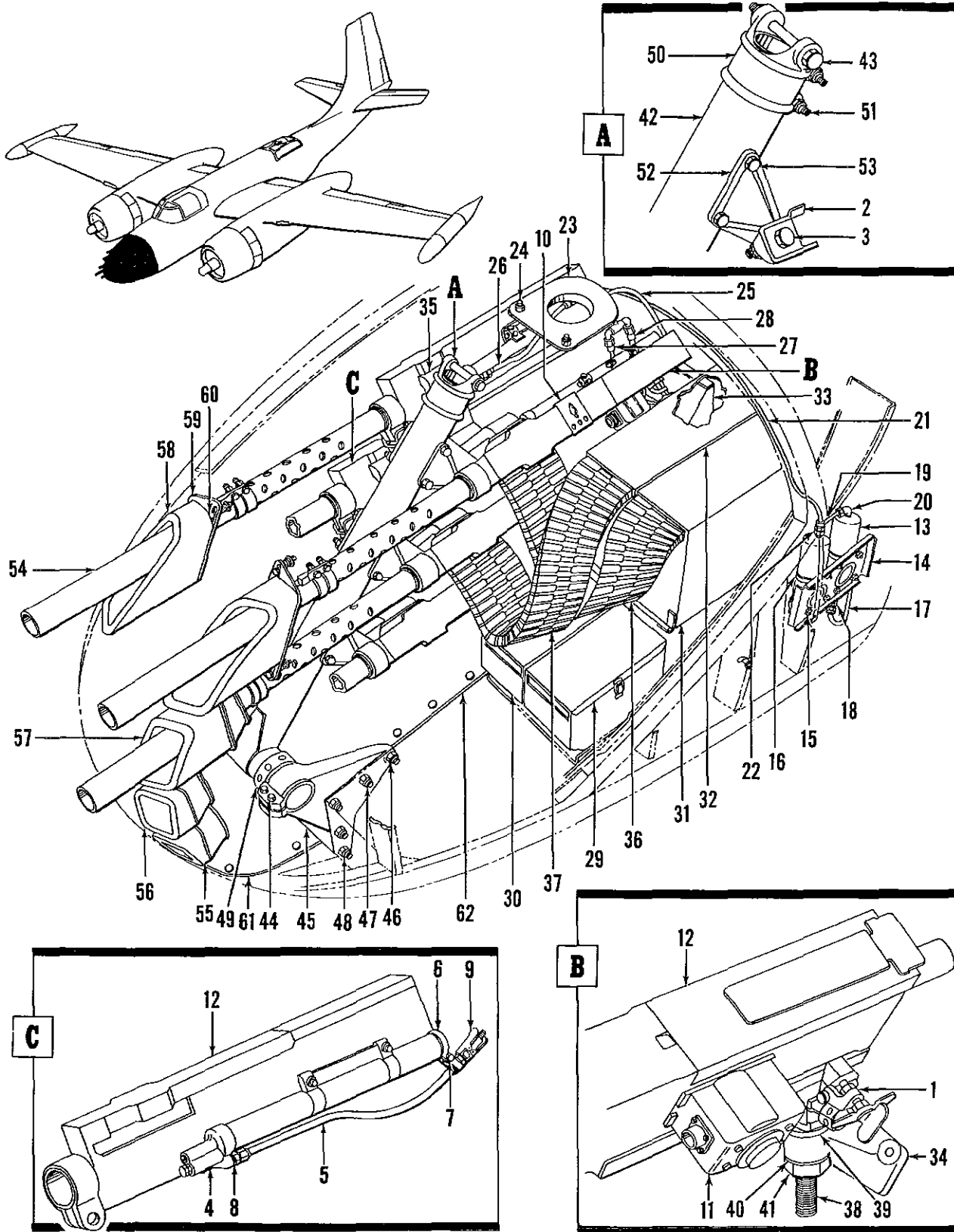


Figure 98. Eight Gun Nose Installation

FIG. AND INDEX NO.	PART NUMBER	DESCRIPTION	UNITS PER ASSY	USABLE ON CODE
98-	26-1024	NOSE INSTL, Eight gun (for additional details see fig. 99) (for NHA see fig. 2)	REF	
-1	37B2675	. MOUNT, LH, army type C2 (GFE)	4	
	37B2675-1	. MOUNT, RH, army type C2 (GFE)	4	
-2	44B11182	. BRACKET, Trunnion (GFE) (ATTACHING PARTS)	8	
	AN310-12	. NUT	8	
	AN960-1216	. WASHER	8	
-3	AN12-26	. BOLT ----*----	8	
-4	81000	. CHARGER, Gun pneumatic (33525) (for details see T.O. 11W1-4-6-1)	8	
-5	2278024	. TUBE ASSY, Metal (18355)	6	
-6	2278076	. BRACKET, LH (18355)	6	
	2278076-1	. BRACKET, RH (18355) (ATTACHING PARTS)	6	
	MS20365-1032	. NUT	6	
	AN960-10L	. WASHER	6	
-7	AN3-6A	. BOLT ----*----	6	
-8	2280146	. NIPPLE (18355)	6	
-9	30816	. FITTING (33525)	8	
-10	44B25259	. HEATER, Electric type J4 (GFE) (for details see T.O. 15H1-2-4-1)	8	
-11	H41D10358	. SOLENOID, Gun type G9 (GFE)	8	
-12	H39G5332	. MACHINE GUN, Caliber 50 type M2 (for details see T.O. 11W1-13-3-124)	8	
	26-1024-1	. NOSE ASSY, Eight gun (altered from 5209776 (18355))	1	
-13	31G100	. TANK, Air storage (14650) (for details see T.O. 9P2-3-11-4)	2	
-14	4209642	. BRACKET, Air tank (18355) (ATTACHING PARTS)	2	
	MS20365-428	. NUT	8	
	AN960-416	. WASHER	8	
-15	AN4-5A	. BOLT ----*----	8	
-16	AN748-91	. CLAMP	2	
-17	4276285-500	. LINE (18355)	1	
-18	W1450G1-8	. VALVE (79318)	1	
-19	4276285-502	. LINE (18355)	1	
-20	MS20822-4D	. ELBOW	1	
-21	4276285-518	. PIPE ASSY, Metal (18355)	1	
-22	AN816-4D	. NIPPLE	1	
-23	4277616	. PANEL ASSY (18355) (ATTACHING PARTS)	1	
	MS20365-428	. NUT	2	
	AN960D416L	. WASHER	2	
	2033900-7D065-014	. SPACER (18355)	2	
-24	AN4-10A	. BOLT ----*----	2	
-25	MS28741-3-0120	. HOSE ASSY	2	
-26	MS28741-3-0250	. HOSE ASSY	2	
-27	2279656	. HOSE ASSY (18355)	4	
-28	2279655	. HOSE ASSY (18355)	2	
-29	5276212-500	. BOX ASSY, Lower outboard LH (18355)	1	
	5276212-501	. BOX ASSY, Lower outboard RH (18355)	1	
-30	5277821-500	. BOX ASSY, Lower inboard LH (18355)	1	
	5277821-501	. BOX ASSY, Lower inboard RH (18355)	1	
-31	5276211-500	. BOX ASSY, Upper outboard LH (18355)	1	
	5276211-501	. BOX ASSY, Upper outboard RH (18355)	1	
-32	5277765-500	. BOX ASSY, Upper inboard LH (18355)	1	
	5277765-501	. BOX ASSY, Upper inboard RH (18355)	1	
-33	5275784	. CHUTE ASSY, Case ejection (18355)	1	
-34	4209700	. SUPPORT (18355)	4	
	4209700-1	. SUPPORT (18355)	4	
-35	2276217	. CHUTE ASSY, Case ejection LH (18355)	4	
	2276217-1	. CHUTE ASSY, Case ejection RH (18355)	4	

Section II
Group Assembly Parts List

T.O. 1B-26K-4

FIG. AND INDEX NO.	PART NUMBER	DESCRIPTION	UNITS PER ASSY	USABLE ON CODE
98-36	4279852	. . CHUTE ASSY, Guns one and five (18355) (LH upper and lower outboard)	2	
	4279851	. . CHUTE ASSY, Guns two and six (18355) (RH upper and lower outboard)	2	
-37	4279848	. . CHUTE ASSY, Guns three and seven (18355) (LH upper and lower inboard)	2	
	4279762	. . CHUTE ASSY, Guns four and eight (18355) (RH upper and lower inboard)	2	
-38	26-1167-1	. . POST ASSY, Eight gun nose, rear mount	8	
	26-1166-1	. . LUG, Eight gun nose, rear mount (ATTACHING PARTS)	8	
-39	2209701	. . BUSHING (18355)	8	
-40	AN960C1216	. . WASHER	8	
-41	188240	. . NUT (18355)	8	
		-----*		
-42	3275156	. . SUPPORT ASSY (18355) (ATTACHING PARTS)	1	
	AN310-10	. . NUT	1	
	AN960-1016	. . WASHER	1	
-43	AN10-62	. . BOLT	1	
	MS20365-624	. . NUT	2	
	AN960-616	. . WASHER	2	
-44	AN6-30A	. . BOLT	2	
		-----*		
-45	3209772	. . MOUNT, LH (18355)	1	
	3209772-1	. . MOUNT, RH (18355) (ATTACHING PARTS)	1	
	MS20365-624	. . NUT	10	
	AN960-616	. . WASHER	10	
-46	AN6-20A	. . BOLT	2	
-47	AN6-23A	. . BOLT	6	
-48	AN6-21A	. . BOLT	2	
		-----*		
-49	2276302	. . NUT (18355)	2	
-50	4275066	. . MOUNT, Upper front gun (18355) (ATTACHING PARTS)	1	
	MS20365-524	. . NUT	2	
-51	AN5-34A	. . BOLT	2	
		-----*		
-52	3209736	. . MOUNT, Front gun (18355) (ATTACHING PARTS)	4	
	MS20365-624	. . NUT	8	
-53	AN6-54A	. . BOLT	8	
		-----*		
-54	4276065	. . TUBE ASSY, Blast (18355)	8	
-55	3275605	. . BAG ASSY, Lower air seal LH (18355)	1	
	3275605-1	. . BAG ASSY, Lower air seal RH (18355)	1	
-56	3275604	. . BAG ASSY, Center air seal LH (18355)	1	
	3275604-1	. . BAG ASSY, Center air seal RH (18355)	1	
-57	3275603	. . BAG ASSY, Upper air seal LH (18355)	1	
	3275603-1	. . BAG ASSY, Upper air seal RH (18355) (ATTACHING PARTS)	1	
	1029421-10-8	. . SCREW	AR	
	1029421-10-10	. . SCREW	AR	
	AN520-10R24	. . SCREW	AR	
	AN960-10L	. . WASHER	AR	
		-----*		
	2275594	. . SPOOL (18355)	6	
-58	3276002-1	. . TUBE ASSY, Upper air seal RH (18355)	1	
	3276002	. . TUBE ASSY, Upper air seal LH (18355)	1	
-59	4275998	. . PLATE ASSY (18355) (ATTACHING PARTS)	2	
	MS20365-1032	. . NUT	4	
	AN970-3	. . WASHER	4	
	29	. . SPRING (71447)	4	
-60	AN3-15A	. . BOLT	4	
		-----*		
-61	4278363	. . COVER ASSY, Fwd (18355)	1	
-62	4278364	. . COVER ASSY, Aft (18355)	1	

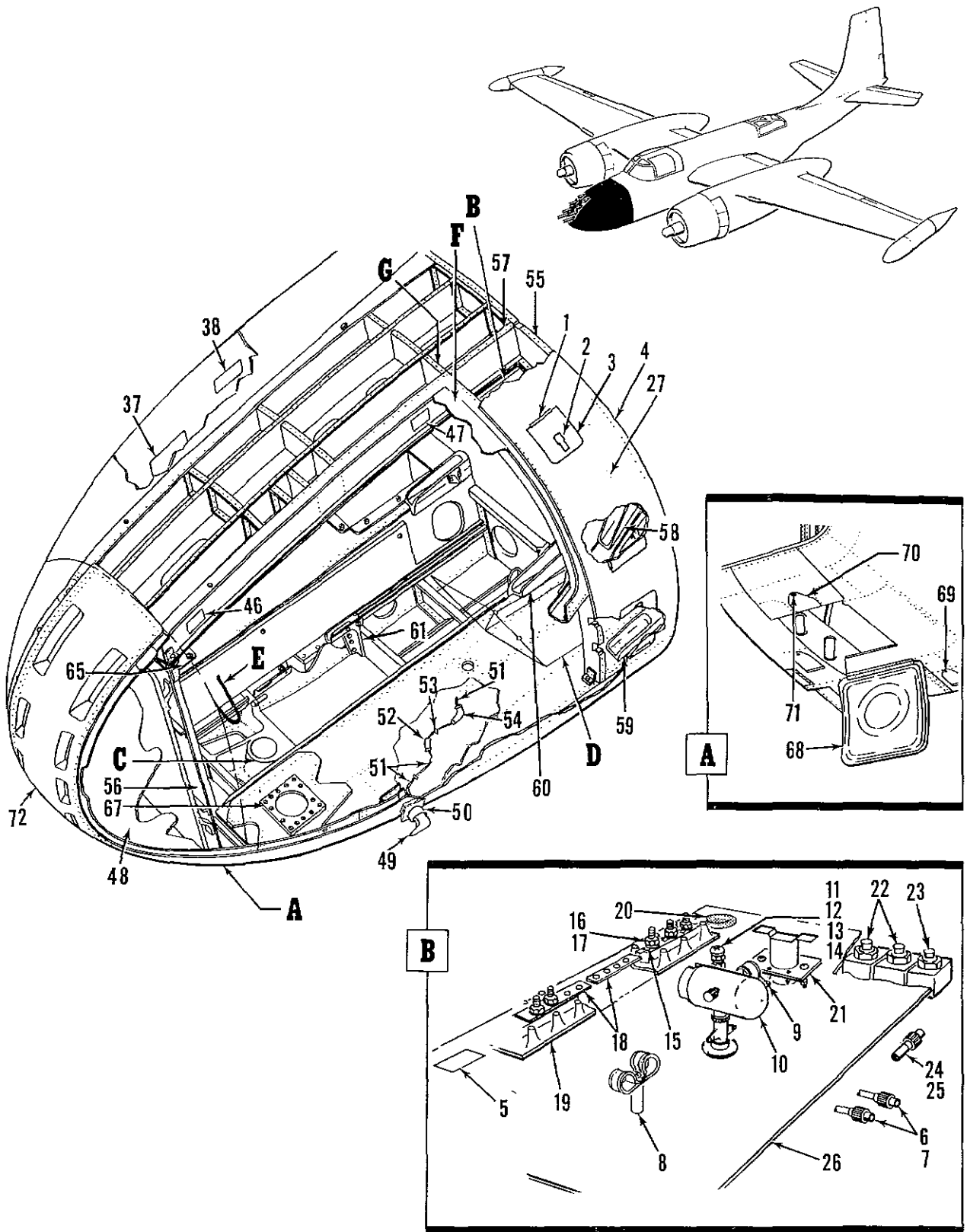


Figure 99. Eight Gun Nose Installation (Sheet 1 of 2)

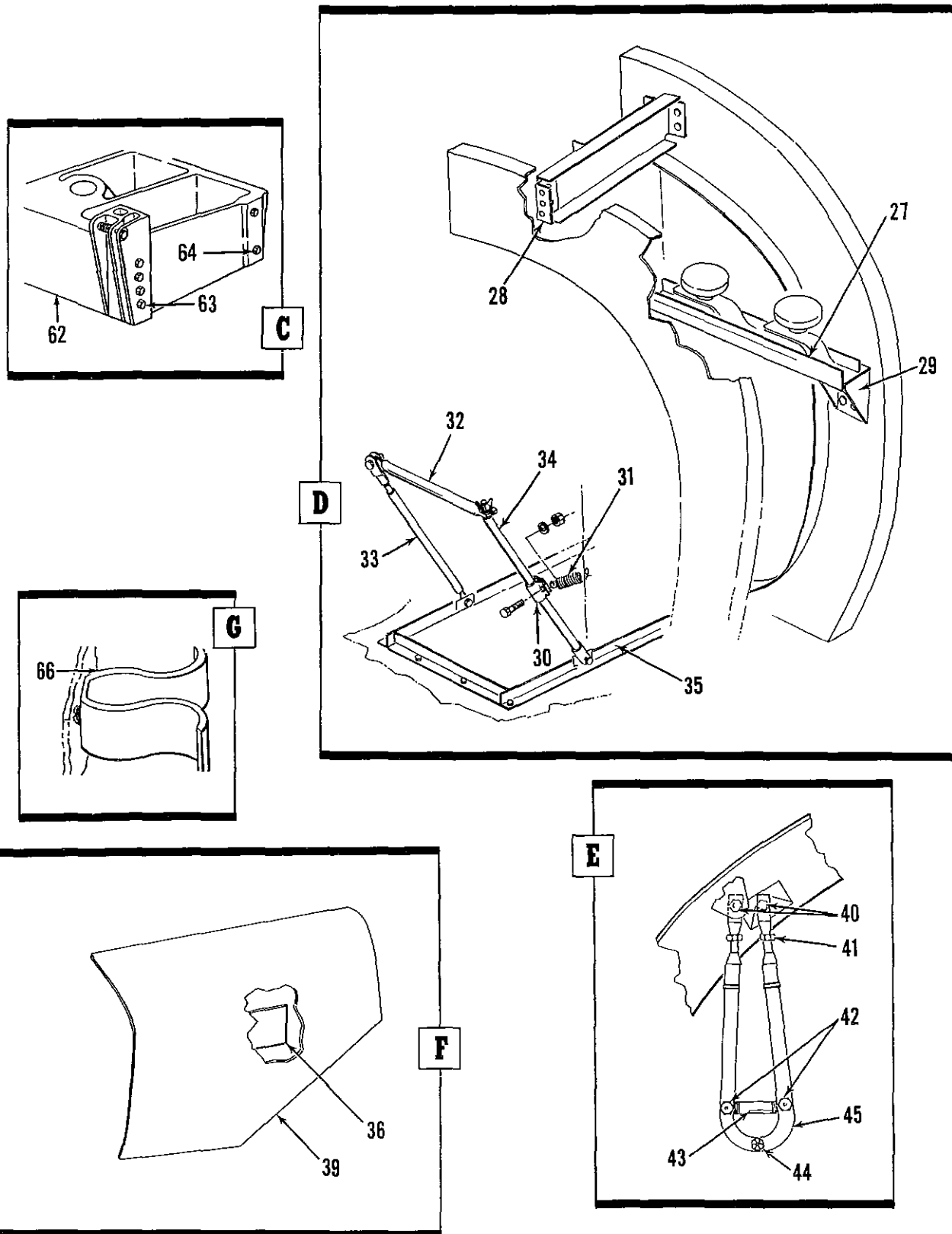


Figure 99. Eight Gun Nose Installation (Sheet 2 of 2)

FIG. AND INDEX NO.	PART NUMBER	DESCRIPTION	UNITS PER ASSY	USABLE ON CODE
100-	26-1025-1	NOSE ASSY, Reconnaissance (altered from 5202401 (18355)) (for	REF	
-1	5202403	NHA see fig. 2)		
	5205207	. ACCESS DOOR INSTL, Bombardier (reconn) nose (18355) (for	NP	
	5205419	details see fig. 101)		
-2	121873-091-1104	. FIXED GUN FENDER AND DATA BOX INSTL, Bombardier	NP	
-3	133509-13	(reconn) nose (18355)		
-4	5205208	. . . BOX ASSY, Bombardier (reconn) nose data (18355)	1	
-5	2205239	. . . PIN (18355)	1	
	2205210	. . . SPRING, Standard hinge (18355)	2	
		. . . FENDER ASSY, Bombardier (reconn) nose fixed guns (18355) .	1	
		. . . COVER, Bombardier (reconn) nose fixed guns finder hand . . .	2	
		hole (18355)		
		. . . GASKET, Bombardier (reconn) nose fixed guns finder hand . . .	2	
		hole (18355)		
		(ATTACHING PARTS)		
	AN530-10-2	. . . SCREW	8	
		-----*-----		
	5202411	. REMOVABLE ARMOUR PLATE INSTL, Bombardier (reconn)	NP	
		nose (18355)		
-6	3205569	. . . PLATE ASSY, Bombardier (reconn) nose (18355)	1	
		(ATTACHING PARTS)		
	MS20365-1032	. . . NUT	4	
	AN960-10	. . . WASHER	4	
-7	AN3-8A	. . . BOLT	4	
	MS20365-1032	. . . NUT	4	
	AN960D10	. . . WASHER	4	
-8	AN3-5A	. . . BOLT	4	
		-----*-----		
-9	4205468	. . . ARMOUR PLATE ASSY, Bombardier (reconn) nose (18355)	1	
		(ATTACHING PARTS)		
	MS20365-428	. . . NUT	1	
	AN960-416	. . . WASHER	1	
-10	AN4-7A	. . . BOLT	1	
	MS20365-428	. . . NUT	1	
	AN960-416	. . . WASHER	1	
-11	AN4-6A	. . . BOLT	1	
		-----*-----		
	5203670	. GLASS INSTL, Fuselage (reconn) nose (18355)	NP	
-12	5203669	. . . PANEL ASSY, Plexiglas nose enclosure upper (18355)	1	
-13	5418740	. . . PANEL ASSY, Plexiglas nose enclosure lower (18355)	1	
		(ATTACHING PARTS)		
	MS20365-1032	. . . NUT	54	
	AN960-10	. . . WASHER	54	
	1080930-03C187-004	. . . TUBE (18355)	54	
	2033900-4S028-026	. . . SPACER (18355)	54	
	1080930-04C064-020	. . . TUBE (18355)	54	
-14	124682-3S10-062	. . . WASHER (18355)	54	
	AN3-13A	. . . BOLT	54	
	22A21-6-02	. . . NUT (72962)	3	
	1080930-03C187-004	. . . TUBE (18355)	3	
	2033900-4S028-026	. . . SPACER (18355)	3	
	1080930-04C064-020	. . . TUBE (18355)	3	
-15	124682-3S10-062	. . . WASHER (18355)	6	
	AN3-13A	. . . BOLT	3	
	MS20365-1032	. . . NUT	16	
	1080930-03C187-004	. . . TUBE (18355)	32	
	2033900-4S028-119	. . . SPACER (18355)	16	
	1080930-04C064-112	. . . TUBE (18355)	16	
	124682-3S10-062	. . . WASHER (18355)	32	
-16	AN3-20A	. . . BOLT	16	
		-----*-----		
-17	AN5812-1	. TUBE, Pitot, heat	1	
-18	AN3115-1	. CONNECTOR	1	
-19	MS3100A14-9S	. CONNECTOR	1	
-20	MS3110A16-10S	. CONNECTOR	1	
		(ATTACHING PARTS)		
	MS20365-632	. . . NUT	8	
	AN960-6	. . . WASHER	8	
	AN515-6R8	. . . SCREW	8	
		-----*-----		
-21	MS3106B36-9P	. CONNECTOR	1	

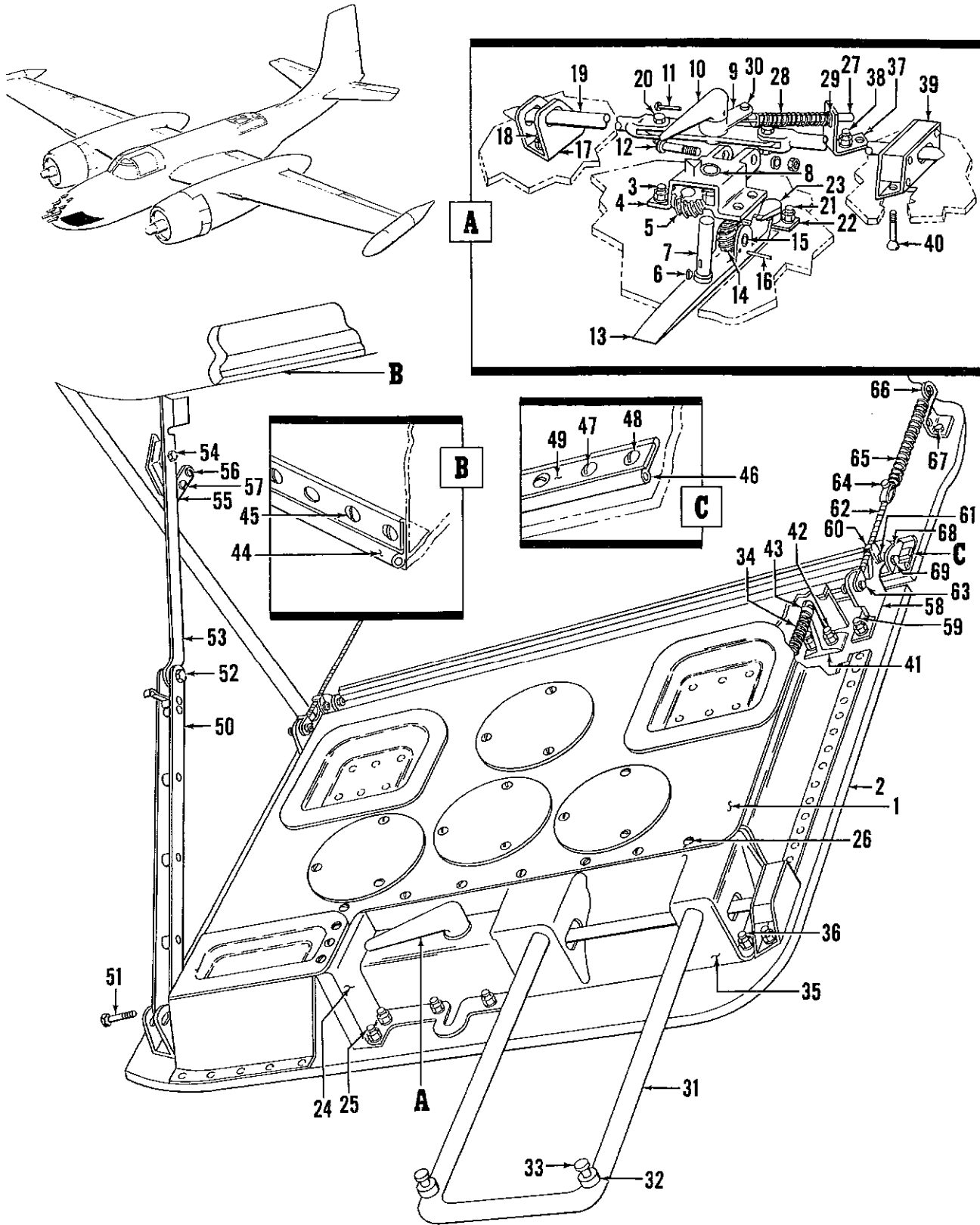


Figure 101. Bombardier (Reconn) Nose Access Door Installation

FIG. AND INDEX NO.	PART NUMBER	DESCRIPTION	UNITS PER ASSY	USABLE ON CODE
101-	5202403	DOOR INSTL, Bombardier (reconn) nose access (18355) (for NHA see fig. 100)	REF	
	5204818	. . . DOOR ASSY, Reconnaissance nose access.(18355)	1	
-1	5206271	. . . COVER ASSY, Reconnaissance nose access (18355)	1	
-2	3205298	. . . PLATE, Reconnaissance nose access door (18355)	1	
	4205221	. . . LATCH ASSY, Reconnaissance nose access door (18355) (ATTACHING PARTS)	1	
	MS20365-428	. . . NUT	4	
	AN960-416	. . . WASHER	4	
-3	AN507-428R16	. . . SCREW	4	
		-----*		
-4	4205096	. . . HOUSING, Reconnaissance nose access door latch gear (18355)	1	
-5	H1620L	. . . GEAR (71041)	1	
-6	AN280-404	. . . KEY	1	
-7	1205190	. . . PIN, Reconnaissance nose access door latch (18355)	1	
-8	1205191	. . . BUSHING, Reconnaissance nose access door latch (18355)	1	
-9	4205144	. . . LEVER ASSY, Reconnaissance nose access door latch handle (18355)	2	
-10	2207058	. . . HANDLE, Reconnaissance nose access door latch (18355) (ATTACHING PARTS)	1	
-11	MS20392-29	. . . PIN	2	
		-----*		
	2205220	. . . LEVER ASSY, Reconnaissance nose access door (18355) (ATTACHING PARTS)	1	
	AN320-6	. . . NUT	1	
	AN960D616	. . . WASHER	1	
-12	AN26-29	. . . BOLT	1	
		-----*		
-13	4205123	. . . LATCH, Reconnaissance nose access door (18355)	1	
-14	H1620L	. . . GEAR (71041)	1	
-15	NAS75-6-028	. . . BUSHING	1	
-16	146142-187-028	. . . PIN (18355)	1	
-17	1205054	. . . CHANNEL, Reconnaissance nose access door hold open (18355) (ATTACHING PARTS)	1	
	MS20365-428	. . . NUT	2	
	AN960-416	. . . WASHER	2	
-18	AN507-428R4	. . . SCREW	2	
		-----*		
-19	2205122	. . . PIN ASSY, Reconnaissance nose access door latch (18355) (ATTACHING PARTS)	2	
	AN320-4	. . . NUT	2	
	AN960-416	. . . WASHER	2	
-20	AN4-7	. . . BOLT	2	
		-----*		
	2205188	. . . LOCK ASSY, Reconnaissance nose access door (18355) (ATTACHING PARTS)	1	
	MS20365-1032	. . . NUT	2	
	AN960-10	. . . WASHER	2	
-21	AN507-1032R14	. . . SCREW	2	
		-----*		
-22	2205189	. . . SUPPORT, Reconnaissance nose access door lock (18355)	1	
-23	105	. . . CYLINDER (80477)	1	
-24	3207110	. . . COVER ASSY, Reconnaissance nose access door (18355) (ATTACHING PARTS)	1	
	MS20365-1032	. . . NUT	11	
	AN960-10	. . . WASHER	11	
-25	AN507-1032R20	. . . SCREW	4	
-26	AN520-10R12	. . . SCREW	7	
		-----*		
-27	1206172	. . . ROD, Reconnaissance nose access door (18355)	1	
-28	1151328	. . . SPRING, Reconnaissance nose access door (18355)	1	
-29	1151330	. . . BUMPER, Reconnaissance nose access door (18355)	1	

Section II
Group Assembly Parts List

T.O. 1B-26K-4

FIG. AND INDEX NO.	PART NUMBER	DESCRIPTION	UNITS PER ASSY	USABLE ON CODE
101-30	MS20392-19	. . . PIN	1	
-31	4204968	. . . STEP, Reconnaissance nose access door (18355)	1	
-32	1151060	. . . BUMPER, Reconnaissance nose access door (18355)	2	
		(ATTACHING PARTS)		
-33	MS20392-33	. . . PIN	2	
		-----*-----		
-34	1205199	. . . SPRING, Reconnaissance nose access door (18355)	1	
-35	3206265	. . . HANGER, Reconnaissance nose access door step (18355)	1	
		(ATTACHING PARTS)		
	MS20365-428	. . . NUT	4	
	AN960-416	. . . WASHER	4	
-36	AN507-428R24	. . . SCREW	4	
		-----*-----		
-37	2205202	. . . CLIP, Reconnaissance nose access door (18355)	1	
		(ATTACHING PARTS)		
	MS20365-1032	. . . NUT	2	
	AN960-10	. . . WASHER	2	
-38	AN507-1032R12	. . . SCREW	2	
		-----*-----		
-39	1205142	. . . CHANNEL ASSY, Reconnaissance nose access door shielding	1	
		pin (18355)		
		(ATTACHING PARTS)		
-40	AN507-1032R14	. . . SCREW	2	
		-----*-----		
-41	1205420	. . . SUPPORT, Reconnaissance nose access door step spring (18355)	2	
		(ATTACHING PARTS)		
	MS20365-1032	. . . NUT	4	
	AN960-10	. . . WASHER	4	
-42	AN507-1032R14	. . . SCREW	4	
		-----*-----		
-43	5204818-2	. . . STOP, Reconnaissance nose access door spring (18355)	2	
-44	1152386-2816	. . . SEAL (18355)	1	
		(ATTACHING PARTS)		
-45	AN530-8-6	. . . SCREW	16	
	5202403-4	. . . RETAINER, Reconnaissance nose access door seal (18355)	1	
		-----*-----		
-46	1152386-2612	. . . SEAL (18355)	1	
		(ATTACHING PARTS)		
-47	AN520-8R6	. . . SCREW	16	
-48	AN520-10R8	. . . SCREW	2	
-49	5202403-4	. . . RETAINER, Reconnaissance nose access door seal (18355)	1	
		-----*-----		
-50	2204958	. . . ARM ASSY, Reconnaissance nose access door lower (18355)	1	
		(ATTACHING PARTS)		
	AN310-4	. . . NUT	1	
	AN960-416	. . . WASHER	2	
	NAS75-4-024	. . . BUSHING	1	
-51	AN4-14	. . . BOLT	1	
	AN320-4	. . . NUT	1	
	AN960-416L	. . . WASHER	1	
	2033901-6S250-018	. . . BUSHING (18355)	1	
-52	AN4-7	. . . BOLT	1	
		-----*-----		
-53	2204957	. . . ARM ASSY, Reconnaissance nose access door upper (18355)	1	
		(ATTACHING PARTS)		
	MS20365-524	. . . NUT	1	
	AN960-516	. . . WASHER	1	
	1204991	. . . SPACER (18355)	1	
-54	AN5-14A	. . . BOLT	1	
		-----*-----		
-55	1205455	. . . GUIDE, Reconnaissance nose access door latch pin (18355)	2	
		(ATTACHING PARTS)		
	MS20365-1032	. . . NUT	4	

FIG. AND INDEX NO.	PART NUMBER	DESCRIPTION	UNITS PER ASSY	USABLE ON CODE
99-	26-1024	NOSE INSTL, Eight gun (for additional details see fig. 98) (for NHA see fig. 2)	REF	
	26-1024-1	. NOSE ASSY, Eight gun (altered from 5209776 (18355)	REF	
-1	AN257P5-350	. HINGE	6	
-2	H5000-040-064	. LATCH (83014)	6	
-3	26-1024-3	. DOOR	6	
-4	26-1106-1	. COVER ASSY, Eight gun nose	1	
	AN229-3BS120-II	. FASTENER	2	
	26-2648-400	. PANEL ASSY, Electrical, gun nose, fus sta 10	1	
-5	TB65	. DECAL (03033)	1	
-6	MS3057-4	. CLAMP	2	
-7	MS3106B10SL4S	. CONNECTOR	2	
-8	MS21919DGB	. CLAMP	2	
-9	MS21919DGI0	. CLAMP	1	
		(ATTACHING PARTS)		
	AN520-10R16	. SCREW	2	
	AN960-10L	. WASHER	2	
		-----*		
	LS607-16	. SPACER (03033)	2	
-10	NO NUMBER	. LIGHT ASSY, Spot, type C4A (Spec MIL-L-6484B) (GFE) (ATTACHING PARTS)	1	
	AN515-6R10	. SCREW	2	
	AN960-6L	. WASHER	2	
		-----*		
-11	MS20341-10	. NUT	1	
-12	MS20365-1032A	. NUT	1	
-13	AN960-10	. WASHER	2	
-14	AN520-10R14	. SCREW	1	
-15	LS751	. MARKER, Identification, adhesive (numbered 1 thru 20) (03033)	20	
-16	MS20365-632C	. NUT	20	
-17	AN960-6L	. WASHER	40	
-18	MS25226-2-4	. BUS BAR	2	
-19	MS25123-1-20	. TERMINAL BOARD (ATTACHING PARTS)	1	
	AN515-6R10	. SCREW	3	
		-----*		
-20	MS35489-11-16	. GROMMET	1	
-21	AN3350-1	. RELAY (ATTACHING PARTS)	1	
	AN520-10R8	. SCREW	2	
	AN960-10	. WASHER	2	
		-----*		
-22	MS25244-25	. CIRCUIT BREAKER	2	
-23	MS25244-5	. CIRCUIT BREAKER	1	
-24	MS3057-24	. CLAMP	1	
-25	MS3106B36-9P	. CONNECTOR	1	
-26	26-2648-3	. PANEL, Electrical, gun nose	1	
	26-1026-1	. SUPPORT INSTL, Eight gun nose ammunition box LH	1	
	26-1026-2	. SUPPORT INSTL, Eight gun nose ammunition box RH	1	
-27	5275876	. SUPPORT ASSY, LH (18355)	1	
	5275876-1	. SUPPORT ASSY, RH (18355) (ATTACHING PARTS)	1	
	MS20365-1032	. NUT	6	
	AN960-10	. WASHER	6	
	AN3-4A	. BOLT	6	
		-----*		
-28	2275870	. ANGLE (18355)	1	
-29	2275871	. BRACKET ASSY (18355) (ATTACHING PARTS)	1	
	MS20365-1032	. NUT	6	
	AN960-10	. WASHER	6	
	AN3-4A	. BOLT	6	
		-----*		
-30	AN741-4P	. CLAMP, Tube	1	

Section II
Group Assembly Parts List

T.O. 1B-26K-4

FIG. AND INDEX NO.	PART NUMBER	DESCRIPTION							UNITS PER ASSY	USABLE ON CODE
		1	2	3	4	5	6	7		
99-		(ATTACHING PARTS)								
	MS20365-428	1	
	AN960-416	1	
	AN4-7A	1	
		-----*								
-31	186B	1	
-32	26-1026-3	1	
		(ATTACHING PARTS)								
	AN350-5	1	
	MS27183-11	1	
	MS24665-2-2	1	
	AN320-4	1	
	AN960-416	1	
	AN24-15	1	
		-----*								
	NAS43HT4-14	1	
-33	26-1026-5	1	
-34	26-1026-7	1	
		(ATTACHING PARTS)								
	MS20365-428	2	
	AN960-416	2	
	AN509-416R16	2	
		-----*								
	NAS43HT4-14	1	
	3276170	1	
-35	3276170-1	1	
		(ATTACHING PARTS)								
	MS20365-428	1	
	AN4-10A	1	
	AN4-7A	2	
	AN4-6A	1	
	NAS222-13	1	
		-----*								
	5277199	1	
	4276414	NP	
-36	4278596	1	
-37	4276413	1	
-38	2280484	1	
-39	5277328	1	
	5277328-1	1	
	4275980	2	
		(ATTACHING PARTS)								
	MS20365-428	4	
	AN960-416	4	
		-----*								
-40	A276	2	
-41	AN315-4	2	
-42	AN42-6	2	
	MS20365-1032	2	
-43	186B	1	
-44	AN23-12	1	
	AN310-3	1	
	MS24665-2-2	1	
-45	2275979	2	
-46	4209344	1	
	4209344-1	1	
-47	4209277	1	
	4209277-1	1	
		(ATTACHING PARTS)								
	MS20365-1032	16	
	AN960D10	16	
	1029421-10-8	16	
		-----*								
-48	5275133	1	
	5275133-1	1	
		(ATTACHING PARTS)								
	MS20365-1032	6	
	AN960D10	6	

FIG. AND INDEX NO.	PART NUMBER	DESCRIPTION	UNITS PER ASSY	USABLE ON CODE
99-	AN3-5A BOLT	6	
	MS20365-1032 NUT	6	
	AN960D10 WASHER	6	
	AN3-4A BOLT	6	
	MS20365-1032 NUT	4	
	AN960-10 WASHER	4	
	1087510-10-8 SCREW (18355)	4	
		-----*		
	5207836 INSTRUMENT INSTL, Eight gun nose (18355)	NP	
-49	AN5812-1 PITOT TUBE	1	
-50	4207787 ADAPTER, Pitot tube (18355)	1	
-51	AN6270-4 HOSE ASSY	3	
-52	AN833-4D ELBOW	1	
-53	2207975-500 TUBE ASSY (18355)	1	
-54	AN837-4D ELBOW	1	
	AN924-4D NUT	1	
	5202561 STRUCTURE ASSY, Gun nose	1	
	5202500 FRAME ASSY, Fuselage nose (18355)	1	
-55	5202519 PANEL ASSY, Fuselage nose (18355)	1	
-56	5202520 PANEL ASSY, Fuselage nose (18355)	1	
-57	5143686 STRUCTURE ASSY, Fuselage nose upper (18355)	1	
-58	4143314 FITTING, Fuselage nose attaching upper LH (18355)	1	
	4143314-1 FITTING, Fuselage nose attaching upper RH (18355)	1	
-59	4143463 FITTING, Fuselage nose attaching center LH (18355)	1	
	4143463-1 FITTING, Fuselage nose attaching center RH (18355)	1	
-60	4143313 FITTING, Fuselage nose attaching inner LH (18355)	1	
	4143313-1 FITTING, Fuselage nose attaching inner RH (18355)	1	
-61	4202157 FITTING, Track attaching LH (18355)	1	
	4202157-1 FITTING, Track attaching RH (18355)	1	
		(ATTACHING PARTS)		
	MS20365-1032 NUT	10	
	AN3-6A BOLT	10	
		-----*		
-62	5202170 FITTING, Ammunition hoist (18355)	1	
		(ATTACHING PARTS)		
	MS20365-1032 NUT	8	
-63	AN3-6A BOLT	8	
	MS20365-428 NUT	4	
-64	AN4-6A BOLT	4	
		-----*		
-65	4279096 COVER, Forward ejection chute hole (18355)	1	
		(ATTACHING PARTS)		
	NAS221-9 SCREW	8	
		-----*		
-66	136714 CLIP (18355)	4	
		(ATTACHING PARTS)		
	MS20365-632 NUT	4	
	AN526-632-6 BOLT	4	
		-----*		
-67	2143473 PLATE, Gun mount attaching shear (18355)	2	
	5202545 PLATING INSTL, Gun nose (18355)	1	
-68	5143627 DOOR ASSY, Ammunition box access (18355)	1	
-69	5202545-62 DOOR ASSY, Gun nose plating LH (18355)	1	
	5202545-66 DOOR ASSY, Gun nose plating RH (18355)	1	
-70	5202545-64 DOOR ASSY, Gun nose plating center (18355)	1	
-71	98-5CP PIN (78189)	4	
-72	5143713 STRUCTURE ASSY, Fuselage nose front (18355) (riveted)	1	

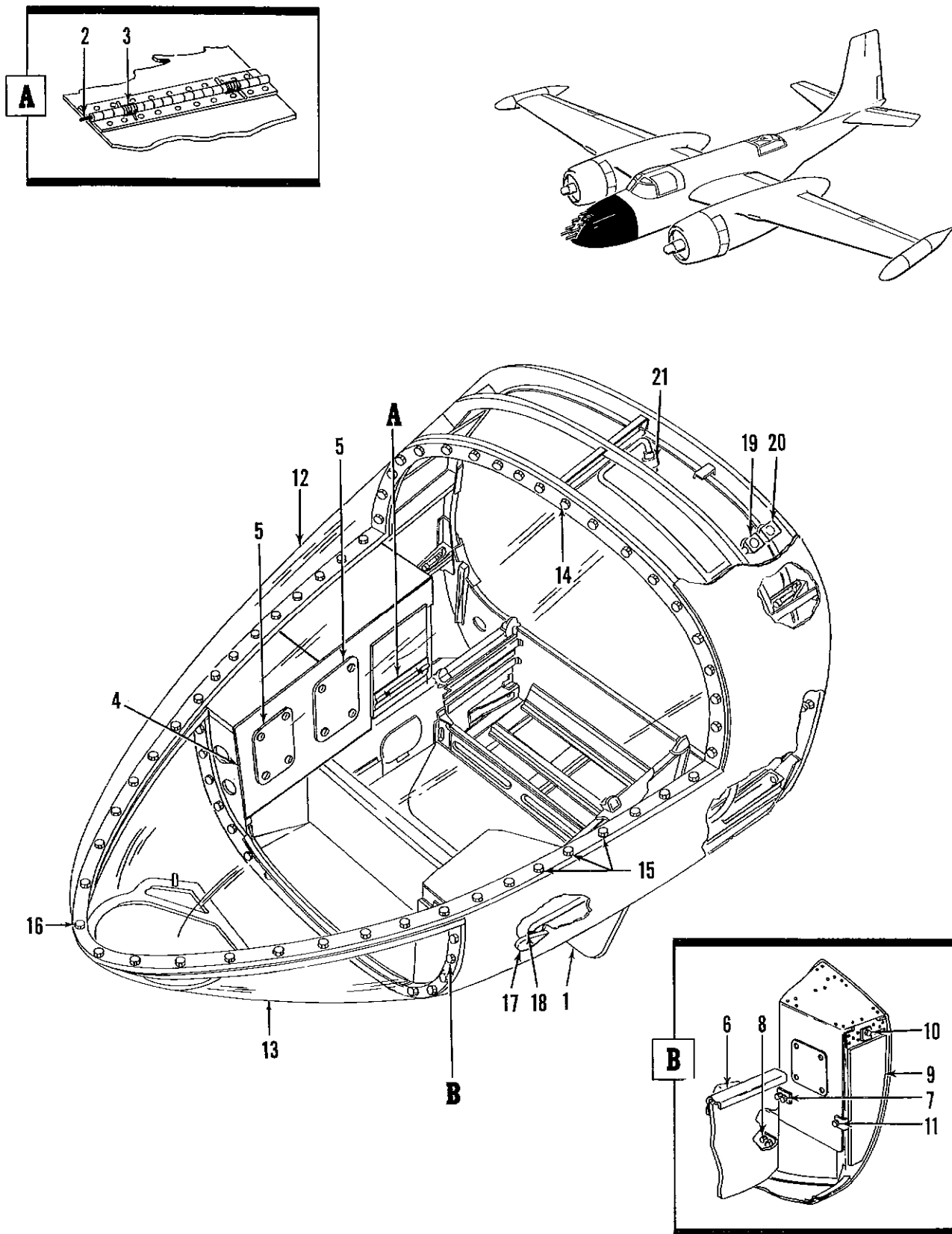


Figure 100. Reconnaissance Nose Assembly

FIG. AND INDEX NO.	PART NUMBER	DESCRIPTION	UNITS PER ASSY	USABLE ON CODE
101-	AN960D10	. WASHER	4	
-56	AN23-9A	. BOLT	2	
-57	AN23-8A	. BOLT	2	
		-----*-----		
-58	4204938	. HINGE ASSY, Reconnaissance nose access door LH (18355)	1	
	4204938-1	. HINGE ASSY, Reconnaissance nose access door RH (18355) (ATTACHING PARTS)	1	
	MS20365-428	. NUT	4	
-59	AN507-428R16	. SCREW	4	
		-----*-----		
-60	1205061	. GUARD, Reconnaissance nose access door hinge cable (18355) (ATTACHING PARTS)	2	
-61	MS20392-15	. PIN	2	
		-----*-----		
-62	1205062	. CABLE ASSY, Reconnaissance nose access door hinge (18355) (ATTACHING PARTS)	2	
	AN310-3	. NUT	2	
	AN960D10	. WASHER	2	
-63	AN3-7	. BOLT	2	
-64	MS20392-11	. PIN	2	
	AN960D10	. WASHER	2	
		-----*-----		
-65	1204948	. SPRING, Reconnaissance nose access door hinge (18355)	2	
-66	2204949	. CLIP, Reconnaissance nose access door hinge spring LH (18355)	1	
	2204949-1	. CLIP, Reconnaissance nose access door hinge spring RH (18355) (ATTACHING PARTS)	1	
	MS20365-1032	. NUT	2	
	AN960-10	. WASHER	2	
-67	AN3-5A	. BOLT	2	
		-----*-----		
-68	2205065	. CHANNEL, Reconnaissance nose access door hinge cable guard (18355) (ATTACHING PARTS)	2	
	AN310-4	. NUT	2	
	AN960-416	. WASHER	2	
-69	AN4-14	. BOLT	2	
		-----*-----		

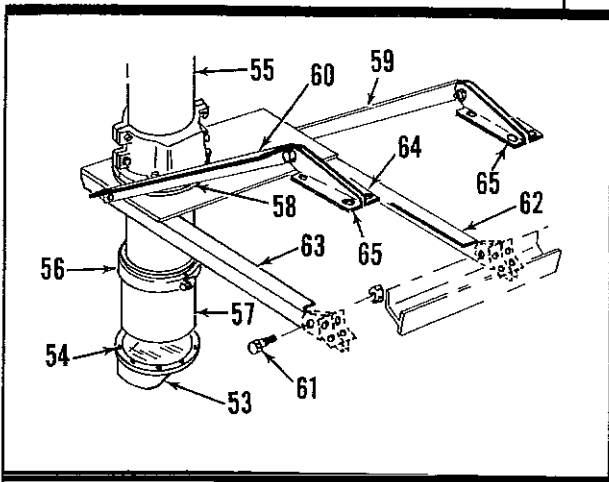
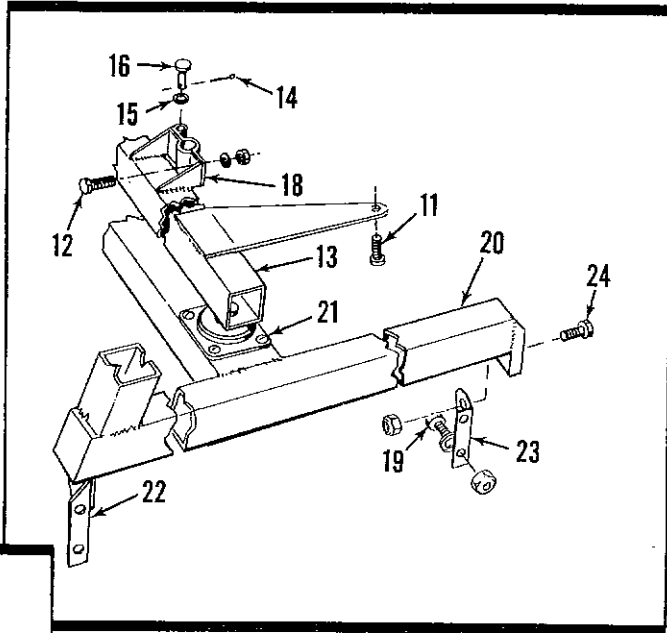
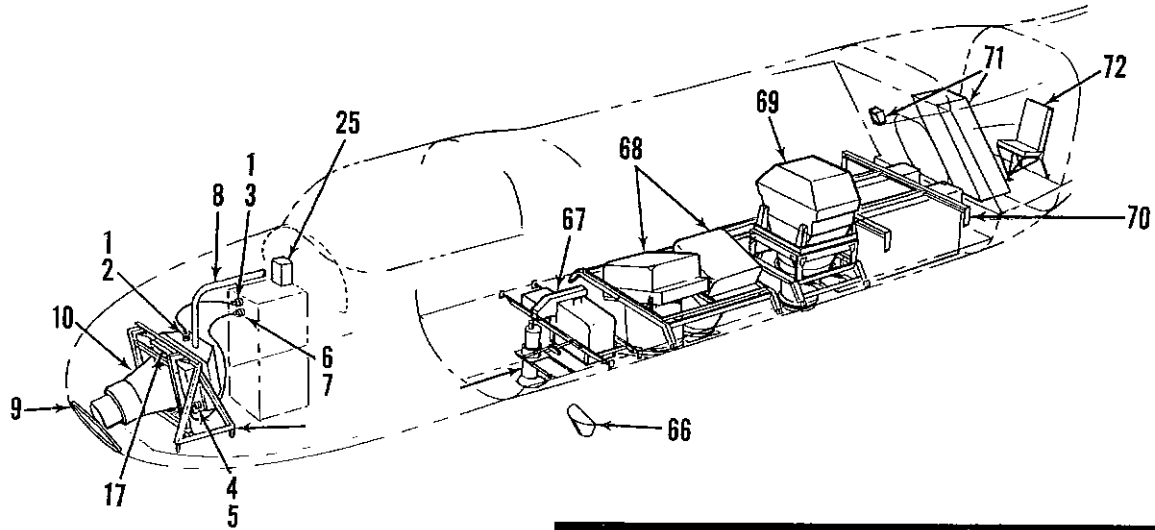


Figure 102. Reconnaissance Kit Installation (Sheet 1 of 2)

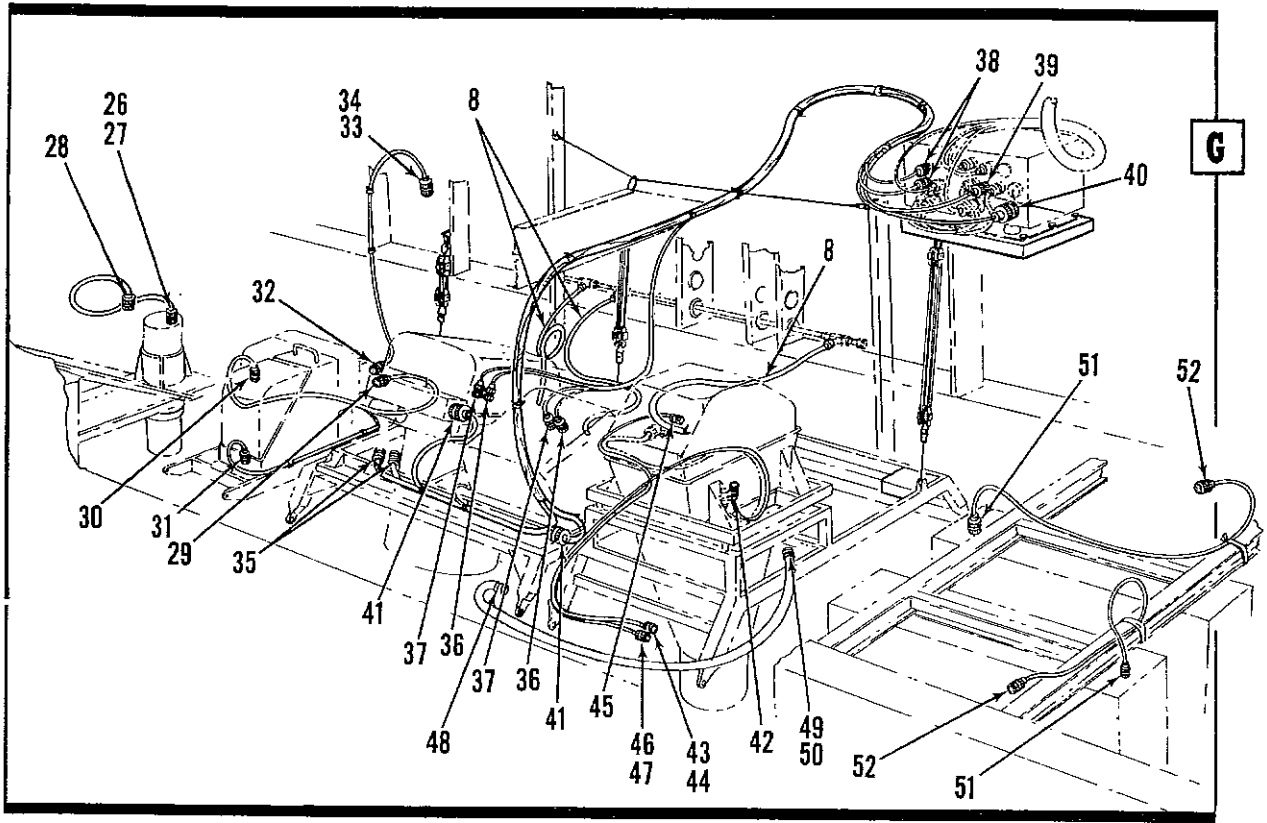


Figure 102. Reconnaissance Kit Installation

FIG. AND INDEX NO.	PART NUMBER	DESCRIPTION	UNITS PER ASSY	USABLE ON CODE		
					1	2
102-	26-10001	RECONNAISSANCE KIT INSTL (For NHA see fig. 2).	REF			
	26-3616-1	. CABLE ASSY, Forward K38 oblique camera to forward K38 disconnect	1			
-1	MS3057-8	. . . CLAMP	2			
-2	MS3106B16S6S	. . . CONNECTOR	1			
-3	MS3106B16-10P	. . . CONNECTOR	1			
	26-3619-1	. CABLE ASSY, Forward K38 oblique camera to forward K38 disconnect	1			
-4	MS3057-4	. . . CLAMP	1			
-5	MS3106B12S3S	. . . CONNECTOR	1			
-6	MS3057-6	. . . CLAMP	1			
-7	MS3106B14S9P	. . . CONNECTOR	1			
-8	26-10031-1	. HOSE ASSY, Vacuum reconn	4			
	26-10002	. CAMERA INSTL, Fairchild K-38, B26K nose	NP			
-9	12814	. . . WINDOW (81957)	1			
-10	K38	. . . CAMERA, Still picture (81957) (for details see T.O. 10A1-5-15-4) (ATTACHING PARTS)	1			
-11	AN6H6A	. . . BOLT	2			
	MS20365-428	. . . NUT	2			
	AN960-428	. . . WASHER	2			
-12	AN4-6A	. . . BOLT	2			
		-----*				
-13	26-10003-2	. . . SUPPORT ASSY, Nose camera (ATTACHING PARTS)	1			
	MS20365-624	. . . NUT	4			
	J2049-3	. . . WASHER (76005)	4			
	AN6-16A	. . . BOLT	4			
		-----*				

Section II
Group Assembly Parts List

T.O. 1B-26K-4

FIG. AND INDEX NO.	PART NUMBER	DESCRIPTION							UNITS PER ASSY	USABLE ON CODE
		1	2	3	4	5	6	7		
102-14	MS24665-2-2	PIN, Cotter	.	.	2	
-15	AN960-10L	WASHER	.	.	2	
-16	MS20392-33	PIN	.	.	2	
-17	26-10003-21	CLAMP ASSY, Upper	.	.	1	
-18	26-10003-22	CLAMP ASSY, Lower	.	.	1	
	MS20365-1032	NUT	.	.	4	
	AN960-10	WASHER	.	.	4	
-19	AN3-6A	BOLT	.	.	4	
-20	26-10003-1	SUPPORT ASSY, Nose camera	.	.	1	
-21	206P45	MOUNT, Resilient (76005) (ATTACHING PARTS)	.	.	4	
	MS20365-1032	NUT	.	.	16	
	AN520-10-8	SCREW	.	.	16	
						-----*				
-22	26-10002-5	BRACKET ASSY (LH)	.	.	1	
	26-10002-6	BRACKET ASSY (RH) (ATTACHING PARTS)	.	.	1	
	MS20365-1032	NUT	.	.	4	
	AN960-10	WASHER	.	.	4	
	AN3-6A	BOLT	.	.	4	
						-----*				
-23	26-10002-3L	BRACKET, LH	.	.	1	
	26-10002-3R	BRACKET, RH (ATTACHING PARTS)	.	.	1	
	MS20365-428	NUT	.	.	2	
-24	AN4-6A	BOLT	.	.	2	
						-----*				
-25	26-3600-400	CONTROL UNIT ASSY, Fus sta 30 fwd oblique camera (for details see fig. 103)	.	.	1	
	26-3607-1	CABLE ASSY, F477 flash detector to P1001 fus sta 129	.	.	1	
-26	MS3057-10	CLAMP	.	.	1	
-27	MS3106B18-1P	CONNECTOR	.	.	1	
-28	MS3106R18-1S	CONNECTOR	.	.	1	
	26-3609-1	CABLE ASSY, KA56 reconn camera cont to camera LJ1 fus sta 132.	.	.	1	
-29	PT06E22-55P	CONNECTOR, Receptacle, electrical (77068)	.	.	1	
-30	PT06E20-41S	CONNECTOR, Receptacle, electrical (77068)	.	.	1	
-31	PT06E14-15S	CONNECTOR, Receptacle, electrical (77068)	.	.	1	
	26-3615-1	CABLE ASSY, KA56 reconn camera JB to IP2 fus sta 132.	.	.	1	
-32	PT06E18-30S	CONNECTOR, Receptacle, electrical (77068)	.	.	1	
-33	MS3057-12	CLAMP	.	.	1	
-34	MS3106B20-33P	CONNECTOR	.	.	1	
	26-3620-1	CABLE ASSY, F477 JB and E1 timer to F477 cameras fus sta 220.	.	.	1	
-35	MS3106R18-8S	CONNECTOR	.	.	2	
-36	MS3106R12S3S	CONNECTOR	.	.	2	
-37	MS3106R16-11S	CONNECTOR	.	.	2	
-38	MS3106R18-8P	CONNECTOR	.	.	2	
-39	MS3106R20-22P	CONNECTOR	.	.	1	
-40	MS3106R24-28P	CONNECTOR	.	.	1	
-41	MS3106R28-12SX	CONNECTOR	.	.	2	
	26-3614-1	CABLE ASSY, Vert K38 camera to fus disc. fus sta 190.	.	.	1	
-42	MS3106E12S3S	CONNECTOR	.	.	1	
-43	MS3057-6	CLAMP	.	.	1	
-44	MS3106B14S9P	CONNECTOR	.	.	1	
	26-3618-1	CABLE ASSY, Vert K38 camera to fus disc. fus sta 190.	.	.	1	
-45	MS3106E16S6S	CONNECTOR	.	.	1	
-46	MS3057-8	CLAMP	.	.	1	
-47	MS3106B16-10P	CONNECTOR	.	.	1	
	26-3622-1	CABLE ASSY, KA2 IMC jumper	.	.	1	
-48	MS3101E28-12PX	CONNECTOR	.	.	1	
-49	MS3057-16A	CLAMP	.	.	1	
-50	MS3108E28-12SX	CONNECTOR	.	.	1	
	26-3613-1	CABLE ASSY, Flash ejector rack to disc. fus sta 234 LH and RH	.	.	2	
-51	MS3106E20-27S	CONNECTOR	.	.	1	
-52	MS3106R18-9P	CONNECTOR	.	.	1	
	26-10015-1	WINDOW INSTL, Bomb bay door (flash detector)	.	.	NP	
-53	26-10015-2	WINDOW ASSY, Bomb bay door (flash detector)	.	.	1	
-54	2600-20	STUD, Turnlock fastener (71286)	.	.	8	

FIG. AND INDEX NO.	PART NUMBER	DESCRIPTION	UNITS PER ASSY	USABLE ON CODE
102-	2600SW2	. . . RETAINER, Turnlock fastener (71286)	8	
	26-10013	. . . FLASH DETECTOR INSTL, C1	NP	
-55	727Z1	. . . FLASH DETECTOR (81957)	1	
	26-10013-1	. . . MOUNT ASSY, Flash detector	1	
-56	QSM64	. . . CLAMP (Aero Seal Mfg. Co., Los Angeles, Calif.)	1	
-57	26-10013-6	. . . HOSE	1	
-58	MS26554-1	. . . RING	1	
		(ATTACHING PARTS)		
	AN509-8-8	. . . SCREW		
		-----*		
-59	26-10013-3L	. . . ANGLE, Flash detector LH	1	
-60	26-10013-3R	. . . ANGLE, Flash detector RH	1	
		(ATTACHING PARTS)		
	MS20365-1032	. . . NUT	4	
	AN960-10	. . . WASHER	4	
	AN3-7A	. . . BOLT	4	
		-----*		
	MS20365-516	. . . NUT	2	
	AN960-516	. . . WASHER	4	
-61	AN5-8A	. . . BOLT	2	
-62	26-10013-2L	. . . ANGLE, Flash detector LH	1	
-63	26-10013-2R	. . . ANGLE, Flash detector RH	1	
-64	26-10013-4L	. . . BRACKET, Flash detector LH	2	
-65	26-10013-4R	. . . BRACKET, Flash detector RH	2	
		(ATTACHING PARTS)		
	MS20365-1032	. . . NUT	8	
	AN3-10	. . . BOLT	8	
		-----*		
-66	26-10019	. . . GRAVEL DEFLECTOR INSTL, KA56 camera window	NP	
	26-10019-1	. . . DEFLECTOR ASSY, Gravel	1	
	2600-5	. . . STUD (71268)	3	
-67	26-10008	. . . CAMERA INSTL, Fuselage KA56 (for details see fig. 104)	NP	
-68	26-10096	. . . CAMERA INSTL, Fuselage F477 (for details see fig. 105)	NP	
-69	26-10904	. . . CAMERA INSTL, Fuselage K38 or KA2 (for details see fig. 106)	NP	
-70	26-10010	. . . EJECTOR INSTL (For details see fig. 107)	NP	
-71	26-10018-9	. . . INSTRUMENT INSTL, (Reconn) camera control (for details see fig. 108)	NP	
-72	26-10012-1	. . . SEAT INSTL, Aft compartment crewman's (for details see fig. 107)	NP	

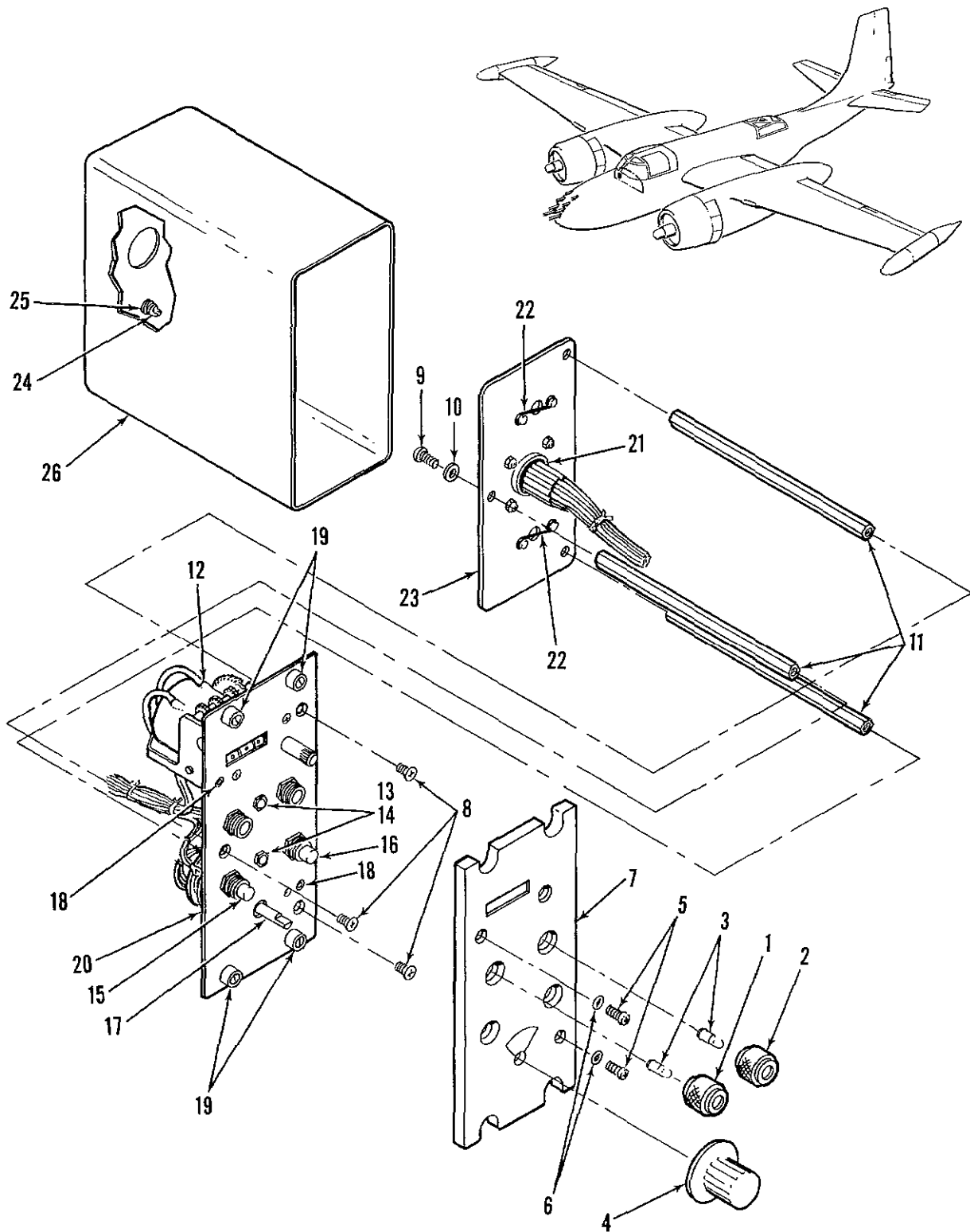


Figure 103. Fuselage Sta 30 Forward Oblique Camera Control Unit Assembly

FIG. AND INDEX NO.	PART NUMBER	DESCRIPTION 1 2 3 4 5 6 7	UNITS PER ASSY	USABLE ON CODE
103-	26-3600-400	CONTROL UNIT ASSY, Fus sta 30 fwd oblique camera (for NHA see fig. 102)	REF	
-1	MS25041-4	. LIGHT, Indicator	1	
-2	MS25041-3	. LIGHT, Indicator	1	
-3	MS25237-327	. LAMP	2	
-4	CPC3537-6	. KNOB (96655)	1	
-5	AN500AD6-6	. SCREW	2	
-6	AN6227B1	. PACKING	2	
-7	26-3600-1	. PANEL, Engraved	1	
-8	AN507-6R6	. SCREW	3	
-9	AN515-6R6	. SCREW	3	
-10	AN935-6	. WASHER	3	
-11	26-3600-11	. SPACER	3	
-12	AT103103	. COUNTER (Deeder Root, Hartford, Conn) (ATTACHING PARTS)	1	
	MS20365-440	. NUT	2	
	AN507-4R6	. SCREW	2	
		-----*		
-13	855S1-9U	. LAMP ASSY, (08716)	2	
-14	MS25237-327	. LAMP	2	
-15	B2001R	. SWITCH (Heatherington Inc., Sharon Hills, Penn)	1	
-16	B2001	. SWITCH (Heatherington Inc., Sharon Hills, Penn)	1	
-17	240169F3	. SWITCH, Rotary (Marco Oaks Co., Anaheim, Calif)	1	
	26-3600-3	. PANEL ASSY	1	
-18	K7001-06-04	. DRIVE NUT (75237)	2	
-19	PFSC3-1-Z-38	. FASTENER (72794)	4	
-20	26-3600-5	. PANEL	1	
-21	AN3100A18-1P	. CONNECTOR, Receptacle, electrical (ATTACHING PARTS)	1	
	MS20365-440	. NUT	4	
	AN960L4	. WASHER	4	
	AN515-4R6	. SCREW	4	
		-----*		
	26-3600-7	. PANEL ASSY	1	
-22	S3-150	. SPRING (72794)	2	
-23	26-3600-9	. PANEL	1	
	26-3600-13	. BOX ASSY	1	
-24	AJ3-40	. STUD	2	
-25	SX520	. SPRING, Retainer	2	
-26	26-3600-15	. BOX	1	

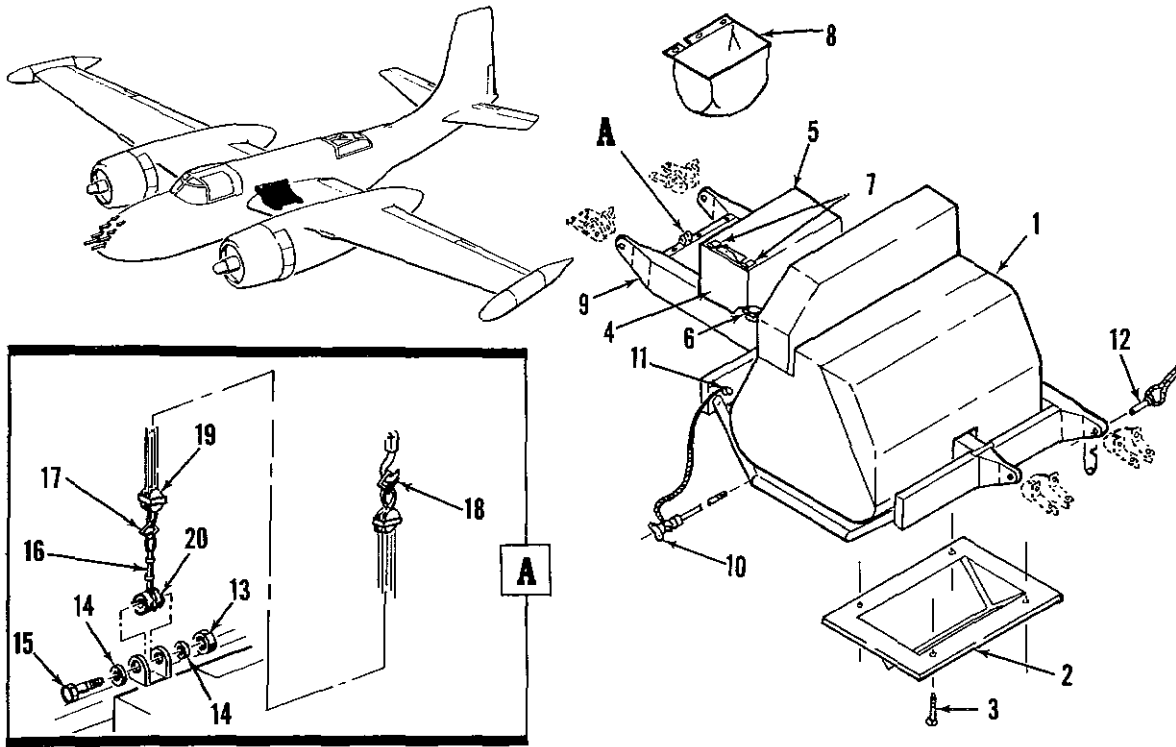


Figure 104. Fuselage KA56 Camera Installation

FIG. AND INDEX NO.	PART NUMBER	DESCRIPTION	UNITS PER ASSY							USABLE ON CODE	
			1	2	3	4	5	6	7		
104- -1	26-10008 KA56	CAMERA INSTL, Fuselage KA56 (for NHA see fig. 102)								REF	
		. CAMERA, Still picture (81957) (for details see T.O. 10A1-5-25-4) . . (ATTACHING PARTS)								1	
	AN6H-20A AN960-616	. BOLT								4	
		. WASHER								4	
		-----*-----									
-2	12814	. WINDOW PANEL, Aircraft (81957)								1	
		(ATTACHING PARTS)									
	MS20365-524	. NUT								4	
	AN960-516L	. WASHER								4	
-3	AN509-524	. SCREW								4	
		-----*-----									
-4	1076	. CONTROL, KA56 camera (81957)								1	
		(ATTACHING PARTS)									
	AN500A8	. SCREW								4	
		-----*-----									
-5	26-10014-13	. CONTROL BOX ASSY								1	
-6	MS91418-1ABL	. MOUNT, Resilient (76005)								4	
		(ATTACHING PARTS)									
	MS20365-1032	. NUT								16	
	AN960-10	. WASHER								16	
	AN509-10R9	. SCREW								8	
	AN509-10R11	. SCREW								8	
		-----*-----									
-7	NAS573-3	. CLAMP ASSY								2	
		(ATTACHING PARTS)									
	MS20365-1032	. NUT								4	
	AN509-10R9	. SCREW								4	
		-----*-----									

FIG. AND INDEX NO.	PART NUMBER	DESCRIPTION	UNITS PER ASSY	USABLE ON CODE
104-8	26-10017-5	. BAG ASSY, Camera hoist storage	1	
-9	26-10008-1	. MOUNT ASSY, Fuselage KA56 camera	1	
-10	26-10008-17	. . SCREW ASSY	2	
-11	AN535-2-4	. . SCREW	2	
-12	MS17989-506	. . PIN	4	
	CA12T4V	. . LANYARD (16258)	4	
	AN535-2-4	. . SCREW	4	
-13	MS20365-1032	. NUT	1	
-14	AN960-10	. WASHER	2	
-15	AN3-7A	. BOLT	1	
	26-10017-1	. HOIST ASSY, Camera	1	
	26-10017-7	. . CABLE ASSY, Hoist	1	
-16	26-10017-11	. . . CABLE	1	
-17	26-10017-15	. . . RING	1	
-18	26-10017-15	. . RING, Hoist	1	
-19	44A	. . HOIST (Haltrac Limited, Bourne Works, London, England)	1	
-20	26-10017-17	. . SLEEVE	1	

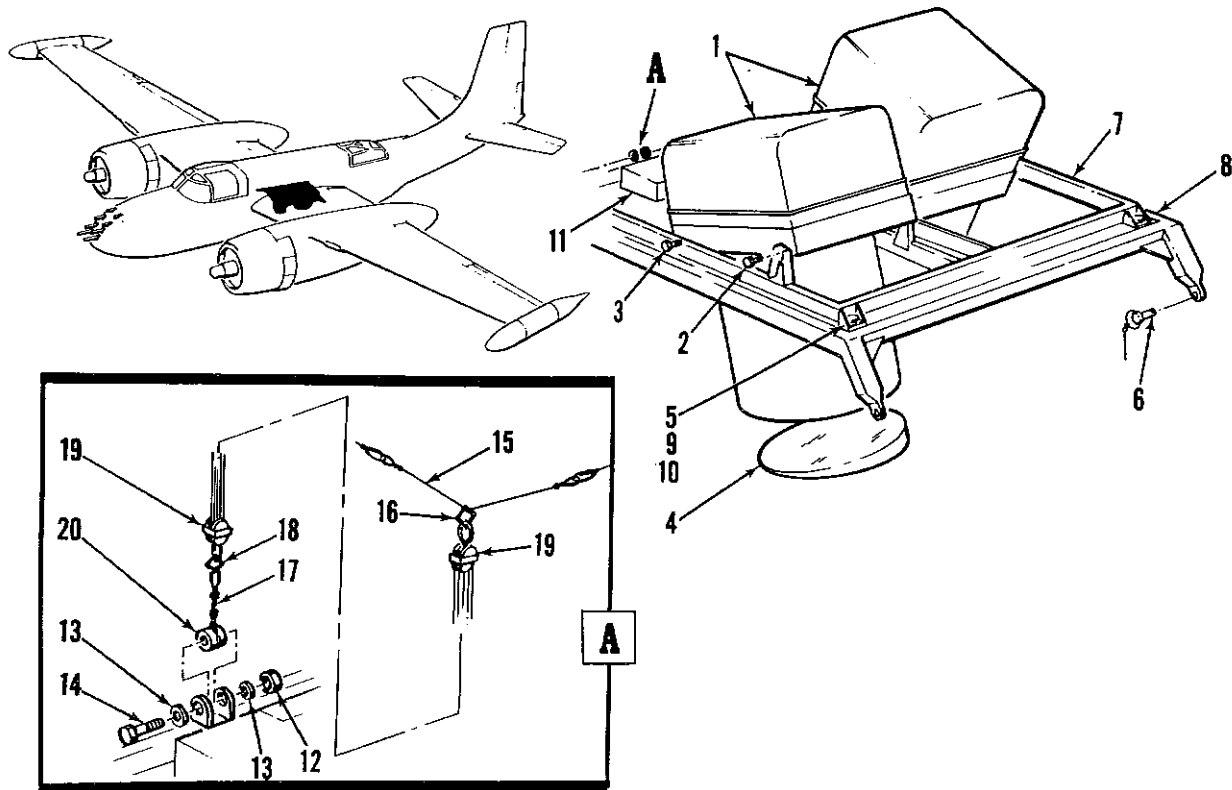


Figure 105. Fuselage F477 Camera Installation

FIG. AND INDEX NO.	PART NUMBER	DESCRIPTION	UNITS PER ASSY							USABLE ON CODE	
			1	2	3	4	5	6	7		
105-	26-10006	CAMERA INSTL, Fuselage F477 (for NHA see fig. 102)								REF	
-1	F477	. CAMERA, Still picture (81957)								2	
		(ATTACHING PARTS)									
-2	AN6H-5A	. BOLT								4	
-3	AN6H-20A	. BOLT								4	
	AN960-616	. WASHER								8	
		-----*									
-4	12816	. WINDOW PANEL, Aircraft (81957)								2	
		(ATTACHING PARTS)									
	2600-11	. STUD (71286)								12	
	2600SW2	. RETAINER (71286)								12	
		-----*									
	MS20365-624	. NUT								4	
	J2049-3	. WASHER								4	
-5	AN6-25A	. BOLT								4	
-6	MS17989-506	. PIN								4	
	CA12T4V	. LANYARD								4	
	AN535-2-4	. SCREW								4	
-7	26-10007-2	. MOUNT ASSY, F477 camera								1	
-8	26-10007-1	. MOUNT ASSY, F477 camera								1	
-9	200P45	. MOUNT, Resilient (76005)								4	
		(ATTACHING PARTS)									
	MS20365-1032	. NUT								16	
	AN520-10-8	. SCREW								16	
		-----*									

FIG. AND INDEX NO.	PART NUMBER	DESCRIPTION	UNITS PER ASSY	USABLE ON CODE
105-10	26-10007-20	. . . SPACER (Used on 26-10007-2)	4	
-11	26-10017-5	. BAG ASSY, Camera hoist storage	1	
-12	MS20365-1032	. NUT	1	
-13	AN960-10	. WASHER	2	
-14	AN3-7A	. BOLT	1	
	26-10017-9	. HOIST ASSY, Camera	1	
	26-10017-3	. . CABLE ASSY, Hoist	1	
-15	26-10017-13	. . . CABLE	1	
-16	26-10017-15	. . . RING	1	
	26-10017-7	. . CABLE ASSY, Hoist	1	
-17	26-10017-11	. . . CABLE	1	
-18	26-10017-15	. . . RING	1	
-19	44A	. . HOIST (Haltrac Limited, Bourne Works, London, England)	1	
-20	26-10017-17	. . SLEEVE	1	

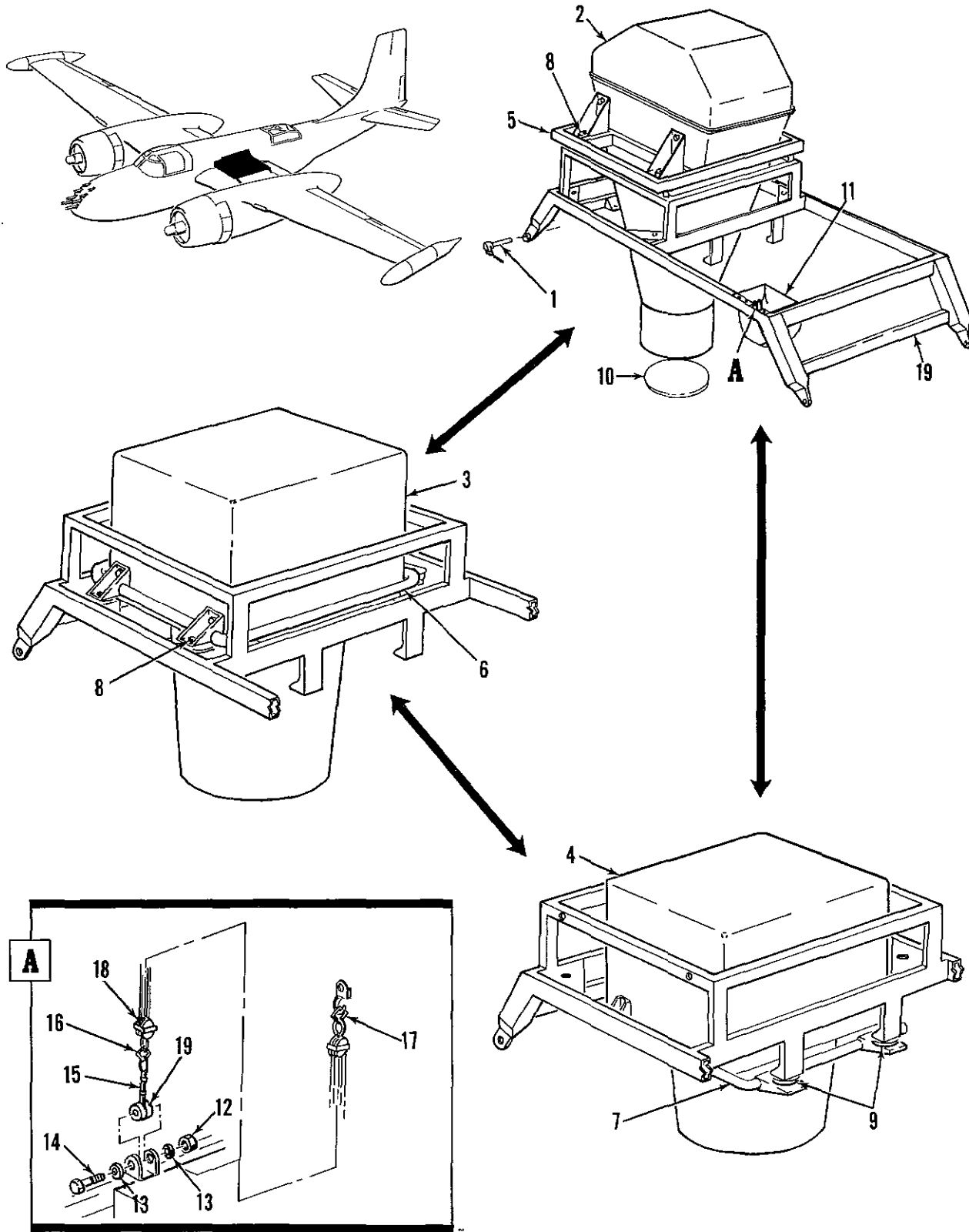


Figure 106. Fuselage K38 or KA2 Camera Installation

FIG. AND INDEX NO.	PART NUMBER	DESCRIPTION	UNITS PER ASSY	USABLE ON CODE
106-	26-10004	CAMERA INSTL, Fuselage K38 or KA2 (for NHA see fig. 102)	REF	
-1	MS17989-506	. PIN	4	
	CA12T4V	. LANYARD	4	
	AN535-2-4	. SCREW	4	
-2	K38	. CAMERA, Still picture (81957) (for details see T.O. 10A1-5-15-4) . (may be used in lieu of KA2 cameras when applicable)	1	
-3	KA2	. CAMERA, (12 in. lens) (81957) (for details see T.O. 1B-26K-2-13-2) (may be used in lieu of the K38 camera or the KA2 camera with 6 in. lens when applicable)	1	
-4	KA2	. CAMERA, (6 in. lens) (81957)(for details see T.O. 1B-26K-2-13-2) (may be used in lieu of the K38 camera or the KA2 camera with 12 in. lens when applicable) (ATTACHING PARTS)	1	
	AN6H5A	. BOLT -----*-----	4	
-5	26-10005-2	. MOUNT ASSY, K38 camera	1	
-6	26-10005-3	. MOUNT ASSY, KA2 camera (with 12 in. lens)	1	
-7	26-10005-4	. MOUNT ASSY, KA2 camera (with 6 in. lens) (ATTACHING PARTS)	1	
	MS20365-624	. NUT	4	
	J2049-3	. WASHER (76005)	8	
	AN6-25A	. BOLT -----*-----	4	
-8	206P30	. . MOUNT, Resilient (76005) (used on 26-10005-2 and -3)	4	
-9	200P20	. . MOUNT, Resilient (76005) (used on 26-10005-4) (ATTACHING PARTS)	4	
	MS20365-1032	. . NUT	4	
	AN510-10-8	. . SCREW -----*-----	4	
-10	12914	. WINDOW (76005) (ATTACHING PARTS)	1	
	2600-11	. STUD, Turnlock fastener (71286)	14	
	2600SW2	. RETAINER, Turnlock fastener (71286) -----*-----	14	
-11	26-10017-5	. BAG ASSY, Camera hoist storage	1	
-12	MS20365-1032	. NUT	1	
-13	AN960-10	. WASHER	2	
-14	AN3-7A	. BOLT	1	
	26-10017-1	. HOIST ASSY, Camera	1	
	26-10017-7	. . CABLE ASSY, Hoist	1	
-15	26-10017-11	. . . CABLE	1	
-16	26-10017-15	. . . RING	1	
-17	26-10017-15	. . . RING	1	
-18	44A	. . HOIST (Haltrac Limited, Bourne Works, London, England)	1	
-19	26-10017-17	. . SLEEVE	1	

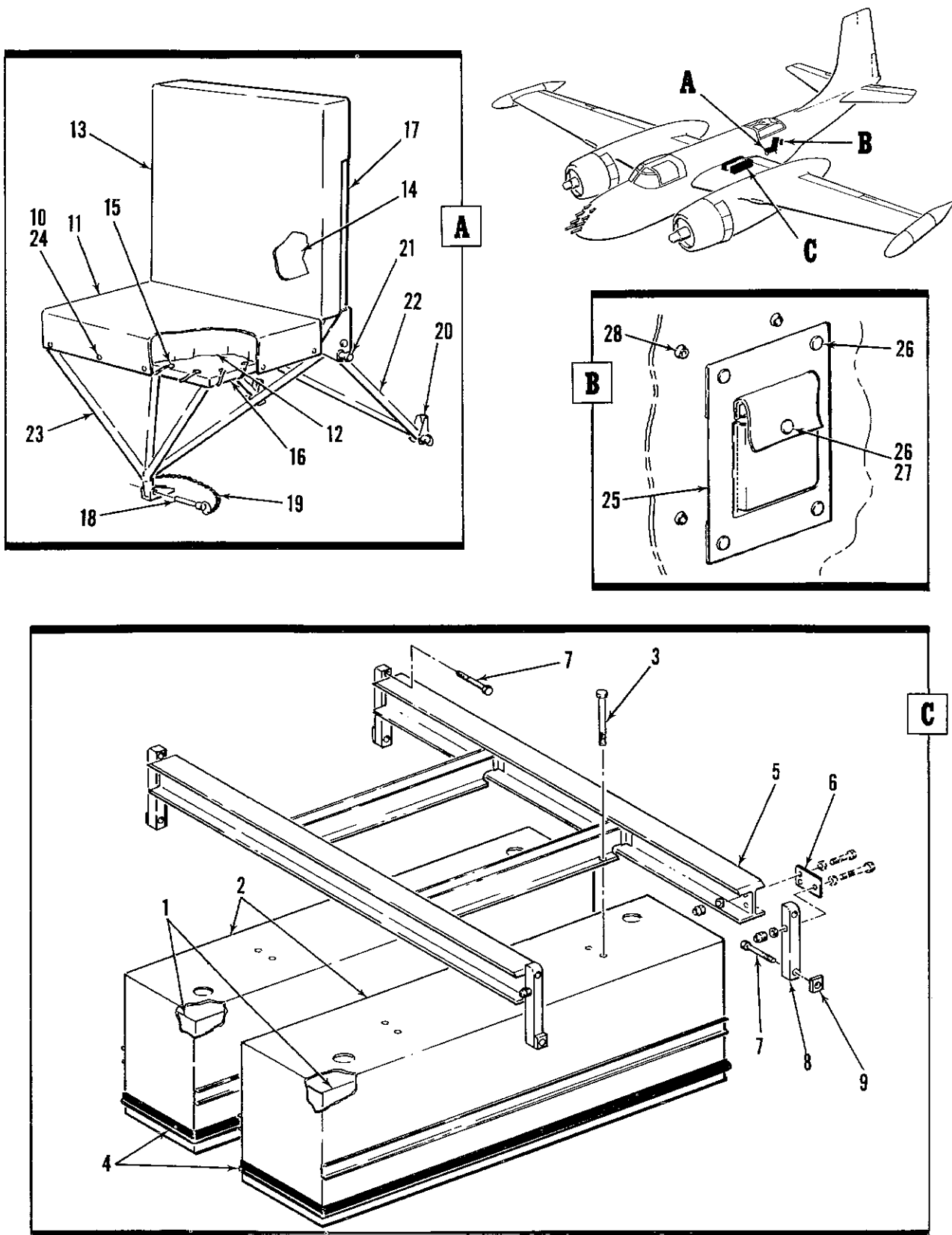


Figure 107. Ejector and Aft Compartment Crewmans Seat Installation

FIG. AND INDEX NO.	PART NUMBER	DESCRIPTION	UNITS PER ASSY	USABLE ON CODE
107-		EJECTOR AND AFT COMPARTMENT CREWMANS SEAT INSTALLATIONS		
-1	26-10010 LE1200-1	. EJECTOR INSTL (For NHA see fig. 102) EJECTOR, Photoflash cartridge (alt LE1834-1) (93796)	REF 2	
-2	26-10010-2	. . SHIELD ASSY, Ejector (ATTACHING PARTS)	2	
	AN525-10-10	. . SCREW	16	
	MS20365-624	. . NUT	8	
	AN960-624	. . WASHER	16	
-3	26-10010-13	. . BOLT (Altered from AN6-57A) -----*	8	
-4	26-10010-12	. . SEAL	1	
-5	26-10010-1	. . SUPPORT ASSY, Ejector (ATTACHING PARTS)	1	
	MS20365-624	. . NUT	4	
	AN960-624	. . WASHER	8	
	AN6-16A	. . BOLT	4	
		-----*		
-6	26-10010-6	. . PLATE, Ejector (ATTACHING PARTS)	4	
	MS20365-428	. . NUT	8	
	AN960-428	. . WASHER	16	
	AN4-7	. . BOLT	8	
		-----*		
	MS20365-428	. . NUT	8	
	AN960-428	. . WASHER	16	
-7	AN4-15	. . BOLT	8	
-8	26-10010-10	. . BLOCK, Ejector	4	
-9	26-10010-11 26-10012-1	. . SHIM, Ejector SEAT INSTL, Aft compartment crewmans (for NHA see fig.)	4 REF	
	26-10012-24	. . CUSHION ASSY, Bottom	1	
-10	670	. . BUTTON	10	
	C548	. . SOCKET	10	
-11	26-10012-26	. . COVER, Bottom	1	
-12	26-10012-28	. . CUSHION, Bottom	1	
	26-10012-25	. . CUSHION ASSY, Back	1	
-13	26-10012-27	. . COVER, Top	1	
-14	26-10012-29	. . CUSHION, Back	1	
-15	1SPUR	. . GROMMET, Metal (United Tent and Supply Co., Los Angeles, Calif)	34	
-16	26-10012-22	. . SUPPORT, Cushion	1	
-17	26-10012-4	. . BACK ASSY, Seat (ATTACHING PARTS)	1	
	MS20365-428	. . NUT	2	
	AN4-4A	. . BOLT	2	
		-----*		
-18	CSL4B12	. . PIN (16258)	3	
-19	CA6T4V	. . LANYARD (16258)	3	
-20	26-10012-5	. . BRACKET, Seat	3	
-21	26-10012-6	. . SPACER, Seat	2	
-22	26-10012-3	. . LEG ASSY, Rear	1	
-23	26-10012-2	. . BOTTOM ASSY	1	
-24	AN227-8B	. . FASTENER	10	
-25	26-10020-1	. . CASE ASSY, P2 strike camera cover stowage	1	
-26	X210128	. . BUTTON (61864)	5	
	XB10224	. . SOCKET (61864)	5	
-27	BS10412	. . EYELET (61864)	1	
	BS10370	. . STUD (61864)	1	
-28	BS10370	. . STUD (61864)	4	

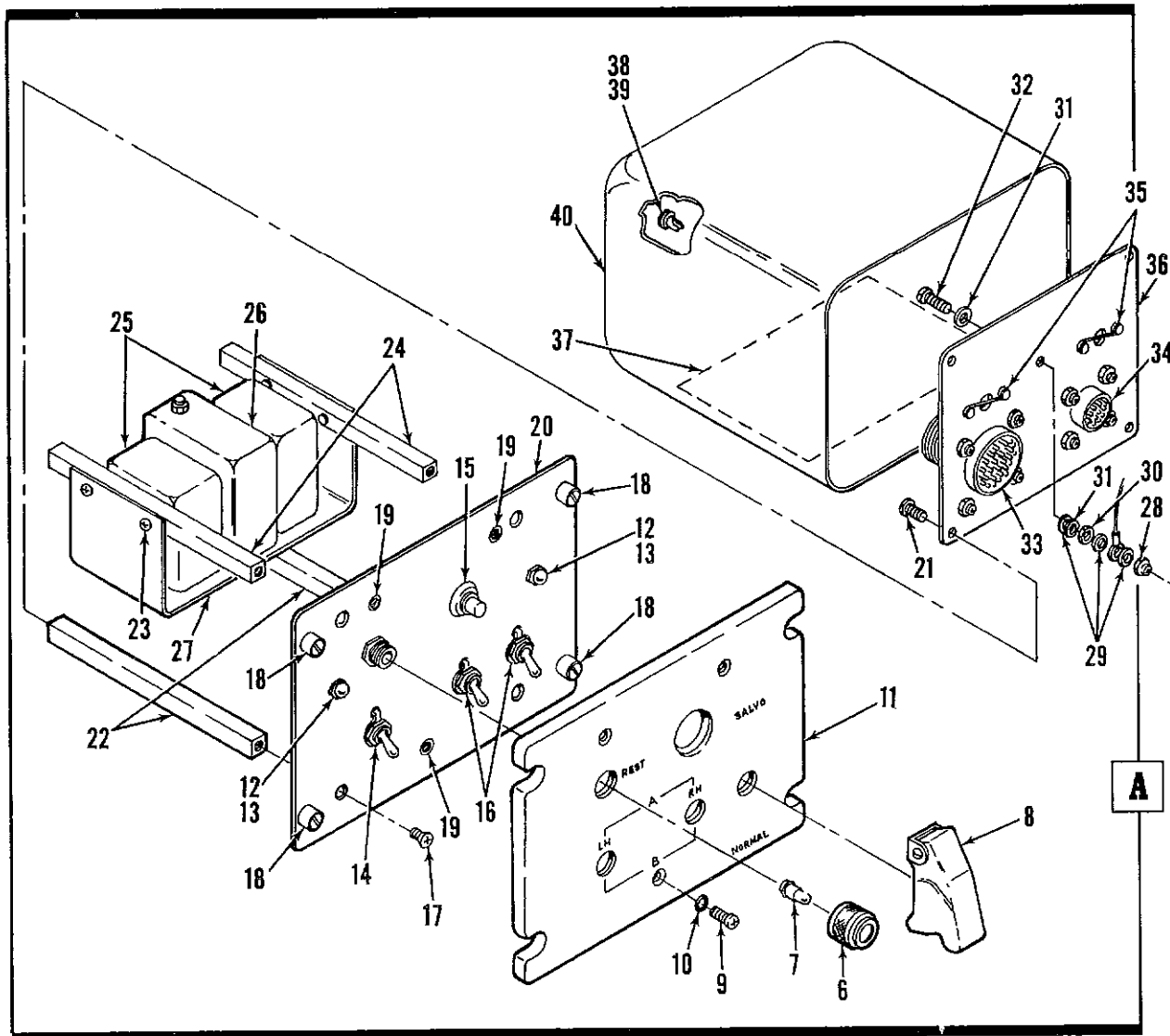
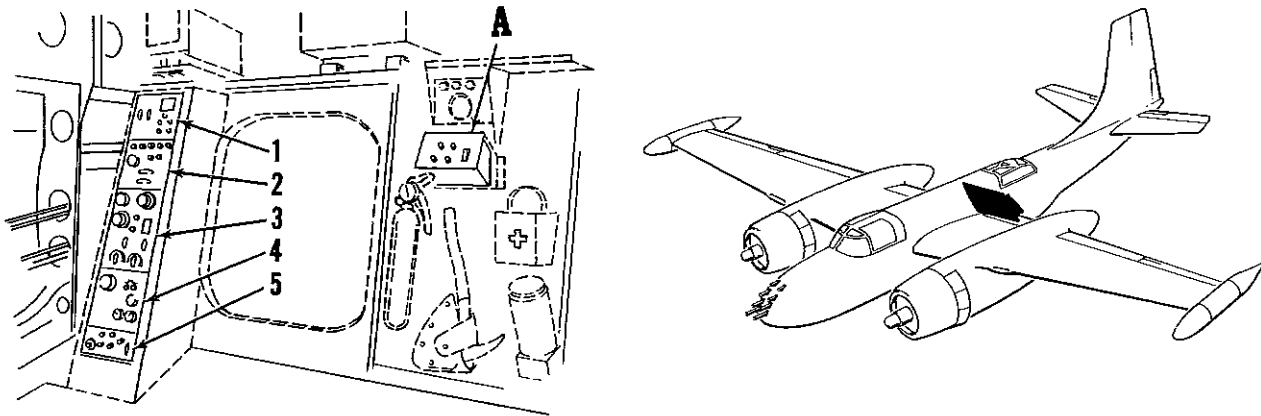


Figure 108. Camera Control Instrument Installation

FIG. AND INDEX NO.	PART NUMBER	DESCRIPTION 1 2 3 4 5 6 7	UNITS PER ASSY	USABLE ON CODE
108-	26-10018-9	INSTRUMENT INSTL, Camera control (for NHA see fig. 102)	REF	
-1	1116A4	. CAMERA CONTROL, KA56 (72314)	1	
-2	1116A1	. PRIMARY CONTROL, F477 (72314)	1	
-3	1116A2	. SECONDARY CONTROL, F477 (72314)	1	
-4	CC113	. VERTICAL STATION CONTROL, K2 (Coil Products Co., Los Angeles, Calif)	1	
-5	1116A3	. REMOTE CONTROL, K38 (72314)	1	
	26-3603-400	. CONTROL PANEL ASSY, A6 ejectors, fus sta 245	1	
-6	MS25041-4	. LIGHT, Indicator	1	
-7	MS25237-327	. LAMP	1	
-8	AN3028-4	. GUARD	1	
-9	AN500AD6-6	. SCREW	3	
-10	AN6227B1	. "O" RING	3	
-11	26-3603-1	. PANEL, Engraved	1	
-12	855S1-9U	. LAMP ASSY (08716)	2	
-13	MS25237-327	. LAMP	2	
-14	MS25068-23	. SWITCH	1	
-15	MS25089-3DR	. SWITCH	1	
-16	MS35059-23	. SWITCH	2	
-17	AN507-6R6	. SCREW	4	
	26-3603-3	. PANEL ASSY	1	
-18	PFSC3-1-2-38	. FASTENER (72794)	4	
-19	K7001-06-04	. DRIVE NUT (75237)	3	
-20	26-3603-5	. PANEL	1	
-21	AN515-6R6	. SCREW	4	
-22	26-3603-13	. SPACER	2	
-23	AN515-4R6	. SCREW	4	
-24	26-3603-11	. SPACER	2	
-25	MS25267D1	. RELAY	2	
		(ATTACHING PARTS)		
	MS35649-632	. NUT	8	
	AN935-6	. WASHER	8	
	AN960-6	. WASHER	8	
		-----*		
-26	442-100	. RELAY (96182)	1	
		(ATTACHING PARTS)		
	MS35649-632	. NUT	3	
	AN935-6	. WASHER	3	
	AN960-6	. WASHER	3	
		-----*		
-27	26-3603-15	. BRACKET	1	
-28	MS20365C632	. NUT	1	
-29	AN960-6	. WASHER	3	
-30	MS35649-632	. NUT	1	
-31	AN936A6	. WASHER	2	
-32	AN515-6R7	. SCREW	1	
-33	MS3102A20-33P	. CONNECTOR	1	
-34	MS3100A14S6P	. CONNECTOR	1	
		(ATTACHING PARTS)		
	MS20365-440	. NUT	8	
	AN960-4	. WASHER	8	
	AN515-4R6	. SCREW	8	
		-----*		
	26-3603-7	. PANEL ASSY	1	
-35	S3-150	. SPRING (72794)	2	
-36	26-3603-9	. PANEL	1	
-37	B26-056-050	. DECAL (06327)	1	
	26-3603-17	. BOX ASSY	1	
-38	AJ3-40	. STUD	2	
-39	SX520	. SPRING, Retainer	2	
-40	26-3603-19	. BOX	1	

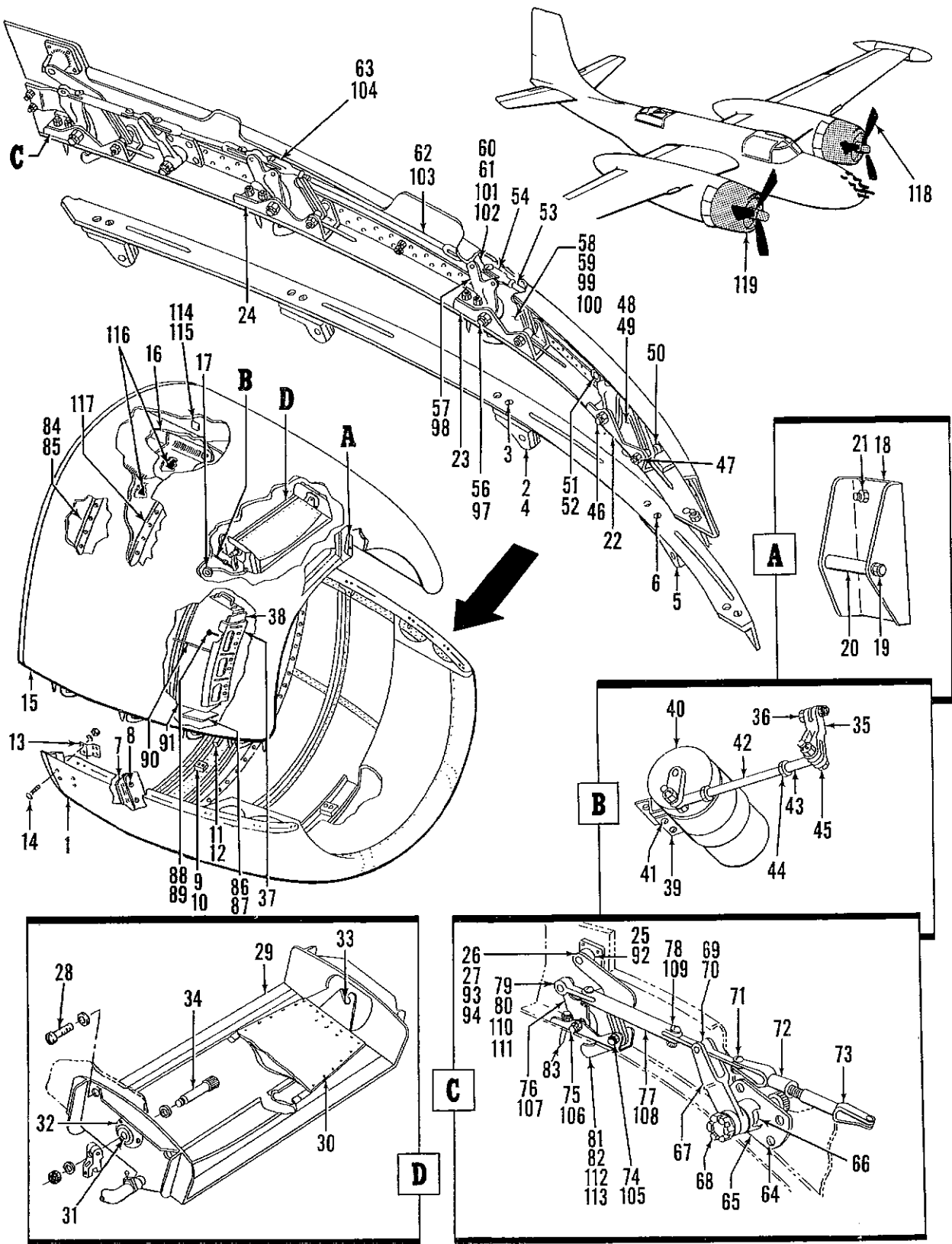


Figure 109. B26K Aircraft Power Plant Installation

FIG. AND INDEX NO.	PART NUMBER	DESCRIPTION	UNITS PER ASSY	USABLE ON CODE
109-	26-8000-1	POWER PLANT INST, B26K Aircraft (for NHA see fig. 2)	REF	
	26-8109-1	. RING ASSY, Lower anti-drag	1	
-1	26-8109-11	. . . RING (Altered from 5129738 (18355))	1	
	1193252	. . . LOCK ASSY, Anti-drag ring fastener LH (18355)	3	
-2	1193252-1	. . . LOCK ASSY, Anti-drag ring fastener RH (18355)	3	
		(ATTACHING PARTS)		
	MS20364-1032	. . . NUT	AR	
	MS20365-1032	. . . NUT	AR	
	AN960-10L	. . . WASHER	AR	
-3	AN509-10R9	. . . SCREW	AR	
		-----*-----		
-4	146142-377-026	. . . PIN (18355)	1	
-5	1193251	. . . LOCK ASSY, Anti-drag ring fastener front LH	1	
		(ATTACHING PARTS)		
	MS20365-1032	. . . NUT	10	
	AN960-10	. . . WASHER	10	
-6	AN507-1032-2	. . . SCREW	10	
		-----*-----		
-7	1127643	. . . SEAL (18355)	1	
-8	49380-1	. . . FASTENER (61864)	AR	
-9	1205200	. . . STOP, Anti-drag ring rotational	4	
		(ATTACHING PARTS)		
	MS20364-1032	. . . NUT	4	
-10	AN507-1032R12	. . . SCREW	4	
		-----*-----		
-11	2275177	. . . BLOCK (18355)	2	
		(ATTACHING PARTS)		
	MS20364-1032	. . . NUT	4	
	AN960D10	. . . WASHER	4	
-12	AN507-1032R12	. . . SCREW	4	
		-----*-----		
-13	26-8109-7	. . . FILLER	2	
		(ATTACHING PARTS)		
	MS20365-1032	. . . NUT	8	
	AN960-10L	. . . WASHER	8	
-14	AN509-10R9	. . . SCREW	8	
		-----*-----		
-15	26-8108-1	. SEGMENT ASSY, Anti-drag upper ring	1	
	5202435-2	. . SEGMENT ASSY, Anti-drag ring upper	1	
-16	5194627	. . . SLEEVE (18355)	2	
-17	2158573	. . . FITTING(18355)	2	
-18	2195031	. . . STOP (LH only) (18355)	1	
	2195031-1	. . . STOP (RH only) (18355)	1	
		(ATTACHING PARTS)		
	MS20365-428	. . . NUT	2	
	AN960D416	. . . WASHER	2	
-19	AN4-15A	. . . BOLT	2	
-20	2033900-6S049-030	. . . TUBE	2	
	MS20365-1032	. . . NUT	2	
	AN960D10	. . . WASHER	2	
-21	AN507-1032R9	. . . SCREW	2	
		-----*-----		
-22	2191127	. . . BRACKET, Anti-drag ring forward support LH (18355)	1	
	2191127-1	. . . BRACKET, Anti-drag ring forward support LH (18355)	1	
-23	2191126	. . . BRACKET, Anti-drag ring forward center support LH (18355)	1	
	2191126-1	. . . BRACKET, Anti-drag ring forward center support RH (18355)	1	
-24	2191125	. . . BRACKET, Anti-drag ring rear support LH (18355)	2	
	2191125-1	. . . BRACKET, Anti-drag ring rear support RH (18355)	2	
		(ATTACHING PARTS)		
	MS20365-1032	. . . NUT	AR	
	AN960-10	. . . WASHER	AR	
	AN507-1032-R10	. . . SCREW (18355)	AR	
	AN507-1032R9	. . . SCREW	8	
	AN507-1032R12	. . . SCREW	8	
	AN507-1032R10	. . . SCREW (18355)	8	
		-----*-----		

Section II
Group Assembly Parts List

T.O. 1B-26K-4

FIG. AND INDEX NO.	PART NUMBER	DESCRIPTION							UNITS PER ASSY	USABLE ON CODE
		1	2	3	4	5	6	7		
109-	2192753	1	
-25	2192752	1	
-26	1193309	1	
-27	1193310	1	
	5202627	1	
	MS20365-832	6	
	AN960D8	6	
	1029421-8-8	6	
-29	5196859	1	
-30	5196867	1	
-31	AN200KS5	2	
-32	1210460	2	
			
	AN320-5	1	
	AN960D516	1	
	12482-5S12-093	1	
-33	AN25-16	1	
			
-34	2277508	1	
			
	AN320-4	1	
	AN960-416L	1	
	124682-5S12-093	1	
			
-35	121D485	1	
			
	AN320-3	1	
-36	AN3-7	1	
			
-37	5202681	2	
-38	5202682	2	
-39	4207680	1	
-40	AYLC5091	1	
			
	MS20365-428	2	
	AN960-416	4	
-41	AN520-416R14	2	
			
-42	NAS94-4000	1	
-43	REB3N	2	
			
-44	AN316-4R	2	
	AN310-3	2	
-45	AN3-11	2	
			
	2126796	1	
	2126796-1	1	
			
	AN310-4	2	
	AN960D416	2	
-46	1026614-4-027	2	
	1127751-1	2	
	MS20365-1032	2	
	AN960-10	2	
	117425-3C027	2	
-47	1029421-10-24	2	
			
-48	2126857	1	
	2126857-1	1	
-49	1125959	1	
-50	1128942	1	
-51	1127784	1	
-52	1026614-3-017	1	
	4152689	2	
-53	4152689-16	1	
-54	AN486-4	1	

FIG. AND INDEX NO.	PART NUMBER	DESCRIPTION	UNITS PER ASSY	USABLE ON CODE
109-	2126794	. . LEVER ASSY, Anti-drag ring fastener LH (18355)	2	
	2126794-1	. . LEVER ASSY, Anti-drag ring fastener RH (18355)	1	
		(ATTACHING PARTS)		
	MS20365-1032	. . NUT	3	
	AN960-10	. . WASHER	3	
	1026614-4-021	. . SPACER (18355)	3	
-55	1029421-10-24	. . SCREW (18355)	3	
	AN310-4	. . NUT	3	
	AN960D416	. . WASHER	3	
	1026614-4-023	. . SPACER (18355)	3	
-56	1127751	. . SCREW (18355)	3	
		-----*		
-57	2126623	. . LEVER, Anti-drag ring fastener aft LH (18355)	2	
	2126623-1	. . LEVER, Anti-drag ring fastener aft RH (18355)	1	
-58	1125959	. . HOOK (18355)	3	
-59	1128942	. . SPACER (18355)	3	
-60	1125958	. . LINK (18355)	3	
-61	1026614-4-017	. . SPACER (18355)	3	
	4152689-2	. . ROD ASSY, Anti-drag ring fastener Control (LH only) (18355)	1	
-62	4152689-14	. . ROD	1	
-63	AN486-4	. . CLEVIS	1	
	4152690	. . LEVER ASSY, Anti-drag ring fastener operating (18355)	2	
		(ATTACHING PARTS)		
	MS20365-1032	. . NUT	8	
	AN960-10	. . WASHER	8	
-64	AN507-1032R12	. . SCREW	8	
		-----*		
-65	2153874	. . SUPPORT ASSY, Anti-drag ring fastener operating bolt	1	
		lever (18355)		
-66	A858-1	. . BEARING (90646)	1	
-67	2153872	. . LEVER (18355)	1	
		(ATTACHING PARTS)		
	AN320-8	. . NUT	1	
-68	1154352	. . BOLT	1	
		-----*		
-69	1125958	. . LINK (18355)	1	
-70	1026614-13-017	. . SPACER (18355)	1	
	2156982	. . ROD ASSY, Anti-drag ring fastener intermediate control (18355)	2	
		(ATTACHING PARTS)		
	AN32-3	. . NUT	AR	
-71	AN23-10	. . BOLT	AR	
		-----*		
-72	2156982-4	. . ROD (18355)	1	
-73	AN486-4	. . CLEVIS	1	
	2126795	. . LEVER ASSY, Anti-drag ring fastener aft LH (18355)	1	
		(ATTACHING PARTS)		
	MS20365-1032	. . NUT	2	
	AN960-10	. . WASHER	2	
	1026614-04-021	. . SPACER (18355)	2	
-74	1029421-10-24	. . SCREW (18355)	2	
	AN310-4	. . NUT	1	
	AN960D416	. . WASHER	1	
	1026614-4-023	. . SPACER (18355)	1	
-75	1127751	. . SCREW (18355)	1	
		-----*		
-76	2126623	. . LEVER, Anti-drag ring fastener aft LH (18355)	1	
-77	2206735	. . LINK	1	
		(ATTACHING PARTS)		
	AN320-3	. . NUT	1	
-78	AN23-10	. . BOLT	1	
		-----*		
-79	1127784	. . LINK (18355)	1	
-80	1026614-3-017	. . SPACER (18355)	1	
-81	1125959	. . HOOK (18355)	1	
-82	1128942	. . SPACER (18355)	1	
-83	1193253	. . PIN (18355)	10	
		(ATTACHING PARTS)		
	AN960D416	. . NUT	10	
	MS20365-428	. . WASHER	10	
		-----*		

Section II
Group Assembly Parts List

T.O. 1B-26K-4

FIG. AND INDEX NO.	PART NUMBER	DESCRIPTION							UNITS PER ASSY	USABLE ON CODE
		1	2	3	4	5	6	7		
109-84	1202679	. .	SEAL ASSY, Anti-drag ring filter aft (18355)						2	
	A1778-8Z1	. .	(ATTACHING PARTS)							
-85	AN530-8-8	. .	NUT (78553)						10	
		. .	SCREW						10	
			-----*							
-86	2202689	. .	DOOR ASSY, Anti-drag ring filter LH (18355)						1	
	2202689-1	. .	DOOR ASSY, Anti-drag ring filter RH (18355)						1	
			(ATTACHING PARTS)							
-87	100075S120-713	. .	PIN (18355)						2	
-88	AN530-8-8	. .	SCREW						AR	
	A6069-8Z1	. .	NUT (78553)						AR	
-89	AN530-8-6	. .	SCREW						AR	
	MS20365-1032	. .	NUT						4	
	117425-3D724	. .	SPACER						4	
	AN960D10	. .	WASHER						4	
-90	1202785	. .	BOLT (18355)						4	
			-----*							
-91	5196810	. .	FILTER ASSY, Carburetor air (18355)						2	
	26-8108-3	. .	LOCK ASSY (RH only) (altered from 2192753 (18355))						1	
-92	26-8108-75	. .	SOCKET (Altered from 2192752 (18355))						1	
-93	26-8108-47	. .	PIN, Lock (altered from 1193309 (18355))						1	
-94	26-8108-69	. .	SPRING (Altered from 1193310 (18355))						1	
-95	26-8108-51	. .	PIN CROSS						1	
	26-8108-5	. .	LEVER ASSY (RH only) (altered from 2126794-1 (18355))						1	
			(ATTACHING PARTS)							
	MS20365-1032	. .	NUT						2	
	AN960-10	. .	WASHER						1	
	1026614-4-021	. .	SPACER (18355)						1	
-96	1029421-10-24	. .	SCREW (18355)						1	
	AN310-4	. .	NUT						1	
	AN960D416	. .	WASHER						1	
	1026614-4-023	. .	SPACER (18355)						1	
-97	1127751	. .	SCREW (18355)						1	
	AN509-10R24	. .	SCREW						1	
			-----*							
-98	26-8108-57	. .	LEVER (RH only) (altered from 2126623-1 (18355))						1	
-99	1125959	. .	HOOK (18355)						1	
-100	1128942	. .	SPACER (18355)						1	
-101	1125958	. .	LINK (18355)						1	
-102	1026614-3-017	. .	SPACER (18355)						1	
	26-8108-9	. .	ROD ASSY (RH only) (altered from 4152689-2 (18355))						1	
-103	26-8108-59	. .	ROD END (Altered from 4152689-2-14 (18355))						1	
-104	AN486-4	. .	CLEVIS						1	
	26-8108-7	. .	LEVER ASSY (RH only) (altered from 2126795-1 (18355))						1	
			(ATTACHING PARTS)							
	MS20365-1032	. .	NUT						1	
	AN960-10	. .	WASHER						1	
	1026614-4-021	. .	SPACER (18355)						1	
-105	102941-10-24	. .	SCREW (18355)						1	
	AN310-4	. .	NUT						1	
	AN960D416	. .	WASHER						1	
	1026614-4-023	. .	SPACER (18355)						1	
-106	1127751	. .	SCREW (18355)						1	
			-----*							
-107	2207445-1	. .	LEVER, Anti-drag ring fastener aft RH (18355)						1	
-108	26-8108-73	. .	LINK (Altered from 2206735-1 (18355))						1	
			(ATTACHING PARTS)							
	MS20364-1032	. .	NUT						1	
-109	AN23-10	. .	BOLT						1	
			-----*							
-110	1127784	. .	LINK (18355)						1	
-111	1026614-3-017	. .	SPACER (18355)						1	
-112	1125959	. .	HOOK (18355)						1	
-113	1128942	. .	SPACER (18355)						1	
-114	26-8108-27	. .	FILLER						2	

FIG. AND INDEX NO.	PART NUMBER	DESCRIPTION	UNITS PER ASSY	USABLE ON CODE
109-		(ATTACHING PARTS)		
	MS20365-1032	. . NUT	8	
	AN980-10L	. . WASHER	8	
-115	AN509-10R11	. . SCREW	8	
		-----*-----		
-116	26-8108-49	. . PAD	4	
-117	26-8108-71	. . SEAL (Altered from 1127642 (18355))	1	
		(ATTACHING PARTS)		
	HS49380-1	. . FASTENER (61864).	44	
		-----*-----		
-118	43E60-575-5895-20	. PROPELLER ASSY (73030)	1	
-119	26-8118-1	. POWER PLANT ASSY, Demountable	1	
		(ATTACHING PARTS)		
	MS24665-86	. PIN	6	
	MS20392-17	. PIN	6	
	1122834	. BOLT, Engine mount attaching (18355)	6	
	1122833	. BUSHING, Engine mount aligning (18355)	6	
	1122832	. NUT, Engine mount and attaching trunnion (18355).	6	

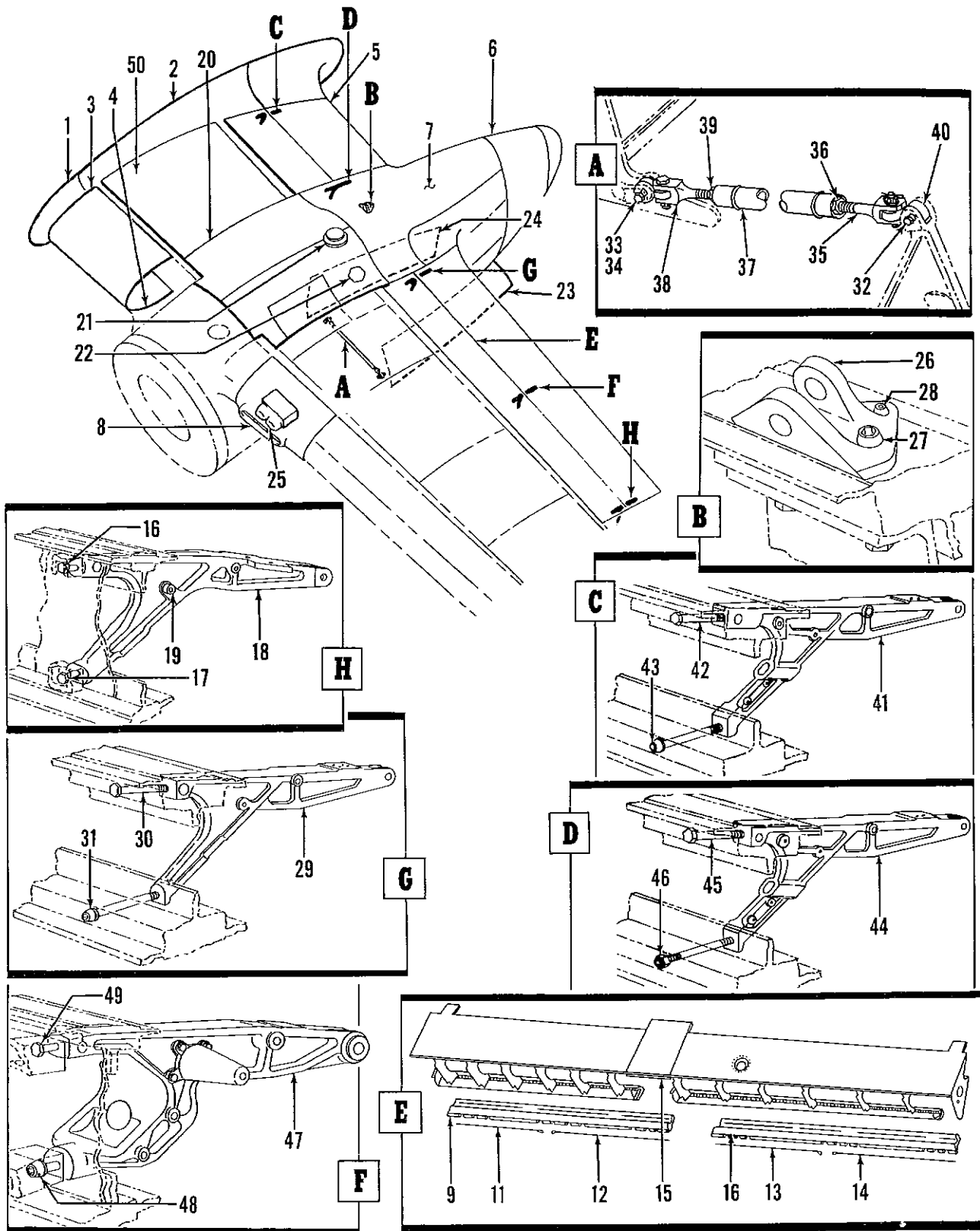


Figure 110. LH and RH Wing Structure Panel Assemblies

FIG. AND INDEX NO.	PART NUMBER	DESCRIPTION	UNITS PER ASSY	USABLE ON CODE		
					1	2
110-	26-0021-1	PANEL ASSY, Wing structure LH (altered from 5209604 (18355)) (for NHA see fig. 3)	REF			
	26-0021-2	PANEL ASSY, Wing structure RH (altered from 5209604-1(18355)). (for NHA, see fig. 3)	REF			
-1	5159532	. FILLET INSTL, Wing to fuselage forward LH (18355).	1			
	5159532-1	. FILLET INSTL, Wing to fuselage forward RH (18355).	1			
-2	5153003	. FILLET INSTL, Wing to fuselage LH and RH (18355)	1			
	5153009	. NOSE PANEL INSTL, Wing removeable LH (18355)	1			
	5153009-1	. NOSE PANEL INSTL, Wing removeable RH (18355)	1			
-3	5153009-2	. . NOSE PANEL, Wing removeable upper LH (18355).	1			
	5153009-3	. . NOSE PANEL, Wing removeable upper RH (18355).	1			
-4	5153009-4	. . NOSE PANEL, Wing removeable lower LH (18355).	1			
	5153009-5	. . NOSE PANEL, Wing removeable lower RH (18355).	1			
		(ATTACHING PARTS)				
	1029421-10-12	. . SCREW, 100° recessed (18355).	6			
	1029421-10-20	. . SCREW, 100° recessed (18355).	4			
	AN509-416R16	. . SCREW	14			
	AN509-416R17	. . SCREW	50			
		----*----				
-5	5155381	. STRUCTURE ASSY, Trailing edge LH (18355)	1			
	5155381-1	. STRUCTURE ASSY, Trailing edge RH (18355)	1			
-6	5153031	. STRUCTURE ASSY, Nacelle cone LH (18355)	1			
	5153031-1	. STRUCTURE ASSY, Nacelle cone RH (18355)	1			
		(ATTACHING PARTS)				
	MS20365-1032	. NUT	6			
	AN960D10	. WASHER	6			
	AN3-6A	. BOLT	6			
		----*----				
-7	26-1530-1L	. STRUCTURE ASSY, Nacelle, LH (for details see fig. 112)	1			
	26-1530-1R	. STRUCTURE ASSY, Nacelle, RH (for details see fig. 112)	1			
-8	26-1523-1	. STRUCTURE ASSY, Oil cooler nose LH (18355)	1			
	26-1523-2	. STRUCTURE ASSY, Oil cooler nose RH (18355)	1			
	5155387	. STRUCTURE INSTL, Trailing edge LH (18355)	1			
	5155387	. STRUCTURE INSTL, Trailing edge RH (18355)	1			
-9	5128538	. . DOOR ASSY, Outboard flap inboard LH (18355)	1			
	5128538-1	. . DOOR ASSY, Outboard flap inboard RH (18355)	1			
-10	5128557	. . DOOR ASSY, Outboard flap outboard LH (18355)	1			
	5128557-1	. . DOOR ASSY, Outboard flap outboard RH (18355)	1			
-11	1000795S120-3200	. . PIN, Hood hinge (18355)	1			
-12	1000795S120-3105	. . PIN, Hood hinge (18335)	1			
-13	1000795S120-2705	. . PIN, Hood hinge (18355)	1			
-14	1000795S120-3016	. . PIN, Hood hinge (18355)	1			
-15	5155387-34	. . SEAL, Outboard trailing edge (18355)	1			
	5128020	. SUPPORT ASSY, Outboard flap LH (18355).	1			
	5128020-1	. SUPPORT ASSY, Outboard flap RH (18355).	1			
		(ATTACHING PARTS)				
	1127680	. NUT, Wing flap support upper (18355)	1			
	AN960D716	. WASHER	1			
-16	AN6H16A	. BOLT	1			
	MS20365-720	. NUT	1			
-17	AN7-17A	. BOLT	1			
		----*----				
-18	5128020-2	. . SUPPORT, LH (18355)	1			
	5128020-3	. . SUPPORT, RH (18355)	1			
-19	1206033	. . BUSHING, Flap support	1			
	26-1575-1L	. FAIRING INSTL, Nacelle LH	1			
	26-1575-1R	. FAIRING INSTL, Nacelle RH	1			
-20	5158966-32	. . FAIRING ASSY, Nacelle LH (18355)	1			
	5158966-33	. . FAIRING ASSY, Nacelle RH (18355)	1			
-21	5158966-18	. . DOOR, Nacelle (18355)	1			
		(ATTACHING PARTS)				
	S1029421-10-8	. . SCREW (18355)	12			
		----*----				
-22	4209793	. . DOOR ASSY, Fuel access (18355)	1			

Section II
Group Assembly Parts List

T.O. 1B-26K-4

FIG. AND INDEX NO.	PART NUMBER	DESCRIPTION	UNITS PER ASSY	USABLE ON CODE
110-23	5153037	. DOOR ASSY, Nacelle LH outboard (18355) (for details see fig. 112) . .	1	
	5153037-1	. DOOR ASSY, Nacelle RH outboard (18355) (for details see fig. 112) . .	1	
-24	5153035	. DOOR ASSY, Nacelle LH inboard (18355) (for details see fig. 112) . . .	1	
	5153035-1	. DOOR ASSY, Nacelle RH inboard (18355) (for details see fig. 112) . . .	1	
-25	5153024	. DUCT INSTL, Wing oil cooler LH (18355) (for details see fig. 111) . .	NP	
	5153024-1	. DUCT INSTL, Wing oil cooler RH (18355) (for details see fig. 111) . .	NP	
-26	4129574	. FITTING, Wing hoist LH (18355)	1	
	4129574-1	. FITTING, Wing hoist RH (18355)	1	
		(ATTACHING PARTS)		
	NAS443-9	. NUT	2	
	26-1521-5	. WASHER, Plain	2	
	26-1521C5	. WASHER, Countersunk	2	
-27	26-1520-6-7	. BOLT, Internal wrenching	2	
	12B054	. NUT (72962)	1	
	NAS143-5	. WASHER	1	
	NAS143-5C	. WASHER	1	
-28	NAS145-58	. BOLT	1	
		-----*		
-29	5128029	. SUPPORT, Wing flap outboard LH (18355)	1	
	5128029-1	. SUPPORT, Wing flap outboard RH (18355)	1	
		(ATTACHING PARTS)		
	2552-064	. NUT, Self-locking barrel (72962)	1	
	26-1521-2	. WASHER, Plain	1	
-30	26-1520-1H11	. BOLT, Internal wrenching	1	
	MS20365-720	. NUT	1	
	26-1521C3	. WASHER, Countersunk	1	
	26-1521-3	. WASHER, Plain	1	
-31	26-1520-2-10	. BOLT, Internal wrenching	1	
		-----*		
	2126778	. ROD ASSY, Nacelle door (18355)	1	
		(ATTACHING PARTS)		
	AN310-4	. NUT	1	
	AN960D416	. WASHER	1	
-32	NAS54-13	. BOLT	1	
-33	AN310-4	. NUT	1	
	AN960D416	. WASHER	1	
-34	NAS54-17	. BOLT	1	
		-----*		
-35	1127765-2	. CLEVIS, Nacelle door rod universal (18355)	1	
-36	AN316-5L	. NUT	1	
-37	2126777	. TUBE ASSY, Nacelle door rod (18355)	1	
-38	1127765-3	. CLEVIS, Nacelle door rod universal (18355)	1	
-39	AN316-5R	. NUT	1	
-40	1127763	. BLOCK ASSY, Nacelle door rod universal (18355)	2	
		(ATTACHING PARTS)		
	AN320-4	. NUT	2	
	AN960D416	. WASHER	2	
	NAS54-13	. BOLT	2	
		-----*		
-41	5128026	. SUPPORT, Wing flap inboard LH (18355)	1	
	5128026-1	. SUPPORT, Wing flap inboard RH (18355)	1	
		(ATTACHING PARTS)		
	2552-064	. NUT, Self-locking barrel (72962)	1	
	26-1521-2	. WASHER, Plain	1	
-42	26-1520-1H10	. BOLT, Internal wrenching	1	
	MS20365-720	. NUT	1	
	26-1521C3	. WASHER, Plain	1	
	26-1521-3	. WASHER, Plain	1	
-43	26-1520-2-10	. BOLT, Machine	1	
		-----*		
-44	5128025	. SUPPORT, Wing flap inboard LH (18355)	1	
	5128025-1	. SUPPORT, Wing flap inboard RH (18355)	1	
		(ATTACHING PARTS)		
	2552-064	. NUT, Self-locking, barrel (72962)	1	
	26-1521-2	. WASHER, Plain	1	
-45	26-1520-1H11	. BOLT, Machine	1	
	MS20365-720	. NUT	1	

FIG. AND INDEX NO.	PART NUMBER	DESCRIPTION	UNITS PER ASSY	USABLE ON CODE
110- -46	26-1521C3	. WASHER, Plain	1	
	26-1520-2-11	. BOLT, Machine ----*----	1	
-47	4128271	. SUPPORT, Outboard flap center (18355) (ATTACHING PARTS)	1	
	12B126	. NUT, Self-locking hexagon (72962)	1	
	NAS143-12	. WASHER	1	
	NAS143-12C	. WASHER	1	
-48	NAS152DH59	. BOLT	1	
	1127680	. NUT, Wing flap support upper (18355)	1	
-49	192100-6-16A	. BOLT (18355) ----*----	1	
-50	26-0022-1	. STRUCTURE ASSY, Wing panel LH (for details see fig. 116)	1	
	26-0022-2	. STRUCTURE ASSY, Wing panel RH (for details see fig. 116)	1	

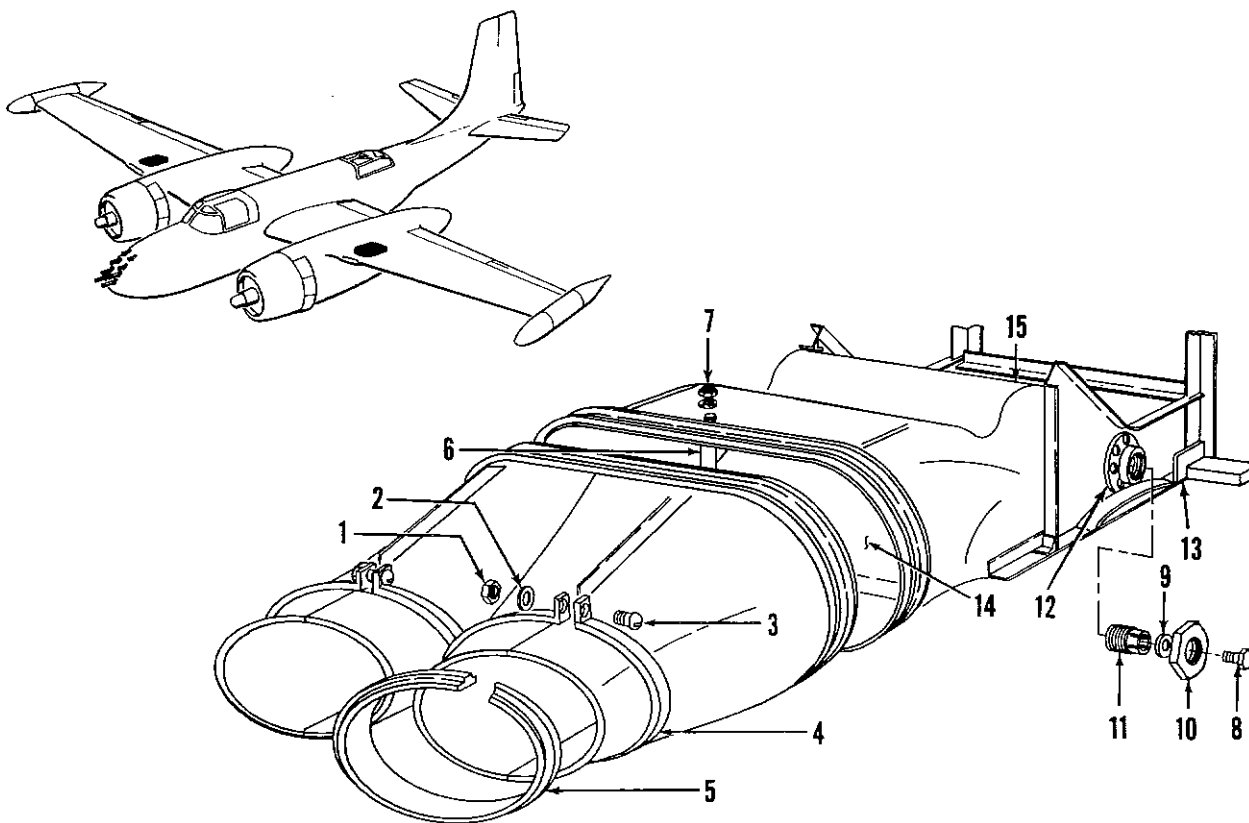


Figure 111. LH and RH Wing Oil Cooler Ducting Installations

FIG. AND INDEX NO.	PART NUMBER	DESCRIPTION	UNITS PER ASSY	USABLE ON CODE		
					1	2
111-	5153024	DUCTING INSTL, Wing oil cooler, LH (18355) (for NHA see fig. 110) . . .	REF			
	5153024-1	DUCTING INSTL, Wing oil cooler, RH (18355) (for NHA see fig. 110) . . .	REF			
-1	MS20365-428	. NUT.	4			
-2	AN960-416	. WASHER.	4			
-3	AN520-416-26	. SCREW.	4			
-4	4191588	. STRAP ASSY, Oil cooler duct (18355).	2			
-5	5153024-36	. SEAL, Wing oil cooler duct (18355).	2			
-6	5153024-78	. TUBE, Wing oil cooler duct (18355).	1			
		(ATTACHING PARTS)				
-7	MS20365-1032	. NUT.	2			
	AN960-10L	. WASHER.	2			
		-----*				
-8	AN4-12A	. BOLT.	1			
-9	AN970-4	. WASHER.	1			
-10	1125838	. NUT, Oil cooler hinge bearing (18355).	1			
-11	1158463	. RETAINER ASSY, Oil cooler hinge bearing, outboard (18355)	1			
-12	1127629	. COLLAR, Oil cooler hinge support outboard LH (18355)	1			
	1127629-1	. COLLAR, Oil cooler hinge support outboard RH (18355).	1			
-13	1158466-2	. SEAL, Oil cooler duct (18355)	1			
-14	5157808	. DOOR ASSY, Oil cooler, LH (18355)	1			
	5157808-1	. DOOR ASSY, Oil cooler, RH (18355)	1			
-15	5153024-46	. DUCT ASSY, Wing oil cooler, LH (18355).	1			
	5153024-47	. DUCT ASSY, Wing oil cooler, RH (18355).	1			

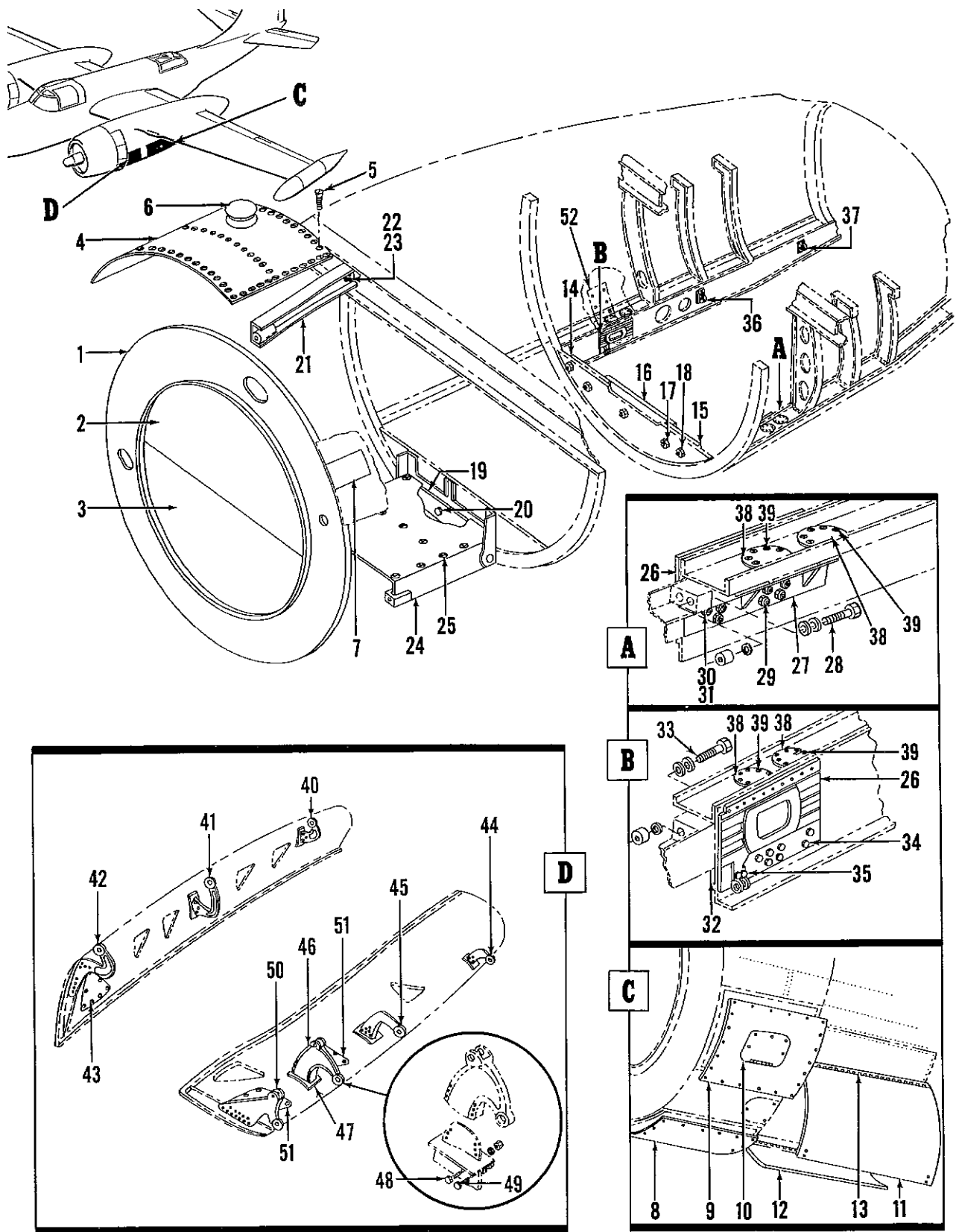


Figure 112. Nacelle Structure and Door Assemblies

Section II
Group Assembly Parts List

T.O. 1B-26K-4

FIG. AND INDEX NO.	PART NUMBER	DESCRIPTION 1 2 3 4 5 6 7	UNITS PER ASSY	USABLE ON CODE
112-		NACELLE STRUCTURE AND DOOR ASSEMBLIES		
		26-1530-1L . STRUCTURE ASSY, Nacelle LH (altered from 5153030 (18355)) (for NHA see fig. 110)	REF	A
		26-1530-1L . STRUCTURE ASSY, Nacelle LH (altered from 5208852 (18355)) (for NHA see fig. 110)	REF	B, C
		26-1530-1R . STRUCTURE ASSY, Nacelle RH (altered from 5153030-1 (18355)) (for NHA see fig. 110)	REF	A
		26-1530-1R . STRUCTURE ASSY, Nacelle RH (altered from 5208852-1 (18355)) (for NHA see fig. 110)	REF	B, C
		5202687 FIREWALL ASSY, Nacelle LH (18355)	1	A
		5202688 FIREWALL ASSY, Nacelle RH (18355)	1	A
		5208394 FIREWALL ASSY, Nacelle LH (18355)	1	B, C
		5208396 FIREWALL ASSY, Nacelle RH (18355)	1	B, C
	-1	5202687-26 FIREWALL ASSY, Nacelle LH (18355)	1	A
		5202688-26 FIREWALL ASSY, Nacelle RH (18355)	1	A
		5208394-26 FIREWALL ASSY, Nacelle LH (18355)	1	B, C
		5208396-26 FIREWALL ASSY, Nacelle RH (18355)	1	B, C
	-2	5122034-20 PANEL ASSY, Firewall access upper (18355)	1	
	-3	5122034-22 PANEL ASSY, Firewall access lower (18355)	1	
	-4	5153030-136 PANEL ASSY, Nacelle LH (18355)	1	A
		5153030-137 PANEL ASSY, Nacelle RH (18355)	1	A
		5208852-136 PANEL ASSY, Nacelle LH (18355)	1	B, C
		5208852-137 PANEL ASSY, Nacelle RH (18355) (ATTACHING PARTS)	1	B, C
	-5	AN507-1032-10 SCREW	84	
		-----*		
	-6	4193549 COVER ASSY, Oil tank filler (18355)	1	A, B
		4208952 COVER ASSY, (18355)	1	C
	-7	2153942 DOOR ASSY, Engine mount bolt access (18355)	4	
		5154632 DOOR ASSY, Nacelle inboard access LH (18355)	1	
		5204114 DOOR ASSY, Nacelle outboard access RH (18355)	1	
	-8	5154632-6 DOOR ASSY, Nacelle inboard access LH (18355)	1	
		5204114-6 DOOR ASSY, Nacelle outboard access RH (18355)	1	
		5154635 DOOR ASSY, Nacelle outboard access LH (18355)	1	
		5204115 DOOR ASSY, Nacelle inboard access RH (18355)	1	
	-9	5154635-18 DOOR ASSY, Nacelle outboard access LH (18355)	1	
		5204115-16 DOOR ASSY, Nacelle inboard access RH (18355)	1	
	-10	5154635-16 DOOR ASSY, Nacelle outboard access LH (18355)	1	
		5204115-14 DOOR ASSY, Nacelle inboard access RH (18355)	1	
	-11	5153030-128 DOOR, Nacelle outboard LH (18355)	1	A
		5153030-129 DOOR, Nacelle outboard RH (18355)	1	A
		5208852-128 DOOR, Nacelle outboard LH (18355)	1	B, C
		5208852-129 DOOR, Nacelle outboard RH (18355)	1	B, C
	-12	5153030-120 DOOR, Nacelle inboard LH (18355)	1	A
		5153030-121 DOOR, Nacelle inboard RH (18355)	1	A
		5208852-120 DOOR, Nacelle inboard LH (18355)	1	B, C
		5208852-121 DOOR, Nacelle inboard RH (18355) (ATTACHING PARTS)	1	B, C
	-13	1000759S120-4000 PIN, Hood hinge (18355)	2	
		-----*		
	-14	4192967 PLATE, Nacelle armor (18355)	1	
	-15	4192965 PLATE, Nacelle armor (18355)	1	
	-16	4192966 PLATE, Nacelle armor LH (18355)	1	
		4192966-1 PLATE, Nacelle armor RH (18355) (ATTACHING PARTS)	1	
		MS20365-624 NUT.	3	
		AN960D616 WASHER.	3	
	-17	AN6-21A BOLT	3	
		MS20365-624 NUT.	2	
		NAS43DD10-9 SPACER	2	
		AN960D616 WASHER.	2	
	-18	AN6-12A BOLT.	2	
		-----*		

FIG. AND INDEX NO.	PART NUMBER	DESCRIPTION	UNITS PER ASSY	USABLE ON CODE
112-19	4192968	PLATE, Nacelle armor LH (18355)	1	
	4192968-1	PLATE, Nacelle armor RH (18355) (ATTACHING PARTS)	1	
	MS20365-624	NUT	3	
	AN960D616	WASHER	3	
-20	AN6-20A	BOLT	3	
		-----*-----		
	-21	5157862	SUPPORT ASSY, Engine mount inboard LH (18355)	1
	5157862-1	SUPPORT ASSY, Engine mount inboard RH (18355)	1	
	5157863	SUPPORT ASSY, Engine mount outboard LH (18355)	1	
	5157863-1	SUPPORT ASSY, Engine mount outboard RH (18355) (ATTACHING PARTS)	1	
	MS20365-1032	NUT	6	
	AN960-10	WASHER	6	
-22	AN3-5A	BOLT	2	
-23	AN3-4A	BOLT	4	
		-----*-----		
-24	5190445	FLOOR ASSY, Nacelle mechanic (18355) (ATTACHING PARTS)	1	
-25	AN520-10R8	SCREW	13	
		-----*-----		
	5153029	STRUCTURE ASSY, Nacelle rear LH (18355)	1	
	5153029-1	STRUCTURE ASSY, Nacelle rear RH (18355)	1	
-26	5123578	SPACER, Landing gear support inboard LH (18355)	1	
	5123578-1	SPACER, Landing gear support inboard RH (18355)	1	
	5123553	SPACER, Landing gear support outboard LH (18355)	1	
	5123553-1	SPACER, Landing gear support outboard RH (18355)	1	
-27	4158800	FITTING, Outboard aft landing gear support (LH) (18355)	1	
	4158800-1	FITTING, Outboard aft landing gear support (RH) (18355) (ATTACHING PARTS)	1	
	12B054	NUT, Self locking internal wrenching nickel steel (72962)	2	
	MS20002-5	WASHER	2	
	MS20002-5C	WASHER	2	
-28	NAS145-26	BOLT	2	
	MS20365-428	NUT	9	
	AN960C416	WASHER	9	
-29	AN4-7A	BOLT	4	
-30	AN4-12A	BOLT	3	
-31	AN4-10A	BOLT	2	
		-----*-----		
-32	4157999	FITTING, Landing gear support LH (inboard aft) (18355)	1	
	4157999-1	FITTING, Landing gear support RH (inboard aft) (18355) (ATTACHING PARTS)	1	
	12B070	NUT, Self locking internal wrenching nickel steel (72962)	2	
	1075888-7	WASHER	2	
	1075888-7A	WASHER	2	
-33	NAS147-32	BOLT	2	
	MS20365-428	NUT	7	
	AN960C416	WASHER	7	
-34	AN4-7A	BOLT	7	
-35	AN4-12A	BOLT	2	
		-----*-----		
-36	2123247	FITTING, Nacelle door hinge bracket (18355)	2	
-37	2126604	FITTING, Nacelle door hinge bracket LH (18355)	2	
	2126604-1	FITTING, Nacelle door hinge bracket RH (18355) (ATTACHING PARTS)	2	
	MS20365-428	NUT	4	
	AN509-416R14	SCREW	4	
		-----*-----		
-38	5153029-114	COVER (18355)	3	
	5153029-182	COVER (18355) (ATTACHING PARTS)	1	
-39	AN520-10R8	SCREW	32	
		-----*-----		

Section II
Group Assembly Parts List

T.O. 1B-26K-4

FIG. AND INDEX NO.	PART NUMBER	DESCRIPTION 1 2 3 4 5 6 7	UNITS PER ASSY	USABLE ON CODE
112-	5153035	. DOOR ASSY, Nacelle inboard LH (18355) (for NHA see fig. 110) . . .	REF	
	5153035-1	. DOOR ASSY, Nacelle inboard RH (18355) (for NHA see fig. 110) . . .	REF	
-40	2159795	. . FITTING ASSY, Inboard nacelle door hinge LH (18355)	1	
	2159795-1	. . FITTING ASSY, Inboard nacelle door hinge RH (18355)	1	
-41	2159796	. . FITTING ASSY, Inboard nacelle door hinge LH (18355)	1	
	2159796-1	. . FITTING ASSY, Inboard nacelle door hinge RH (18355) (ATTACHING PARTS)	1	
	MS20365-1032	. . NUT	6	
	AN960D10	. . WASHER	6	
	AN3-7A	. . BOLT	6	
-42	4127526	. . FITTING ASSY, Inboard nacelle door hinge LH (18355)	1	
	4127526-1	. . FITTING ASSY, Inboard nacelle door hinge RH (18355) (ATTACHING PARTS)	1	
	MS20365-1032	. . NUT	8	
	AN960D10	. . WASHER	8	
	AN3-7A	. . BOLT	8	
		-----*		
-43	5153035-54	. . COVER (18355) (ATTACHING PARTS)	1	
	NAS221-8	. . SCREW	15	
		-----*		
	5153037	. DOOR ASSY, Nacelle outboard LH (18355) (for NHA see fig. 110) . .	REF	
	5153037-1	. DOOR ASSY, Nacelle outboard RH (18355) (for NHA see fig. 110) . .	REF	
-44	2190831	. . FITTING ASSY, Outboard nacelle door hinge LH (18355)	1	
	2190831-1	. . FITTING ASSY, Outboard nacelle door hinge RH (18355)	1	
-45	2190838	. . FITTING ASSY, Outboard nacelle door hinge LH (18355)	1	
	2190838-1	. . FITTING ASSY, Outboard nacelle door hinge RH (18355) (ATTACHING PARTS)	1	
	MS20365-1032	. . NUT	9	
	AN960D10	. . WASHER	9	
	AN3-6A	. . BOLT	9	
		-----*		
-46	1127664	. . BUSHING (18355)	1	
	4190339	. . FITTING ASSY, Outboard nacelle door hinge (18355) (ATTACHING PARTS)	1	
	MS20365-428	. . NUT	6	
	AN960D416	. . WASHER	6	
	AN4-14A	. . BOLT	6	
		-----*		
-47	5153037-48	. . PLATE, Fitting attaching LH (18355)	1	
	5153037-49	. . PLATE, Fitting attaching RH (18355) (ATTACHING PARTS)	1	
	MS20365-428	. . NUT	6	
	AN960D416	. . WASHER	6	
-48	AN4-10A	. . BOLT	6	
	MS20365-524	. . NUT	1	
	AN960D516	. . WASHER	1	
-49	AN5-10A	. . BOLT	1	
		-----*		
-50	4127530	. . FITTING ASSY, Outboard nacelle door hinge LH (18355)	1	
	4127530-1	. . FITTING ASSY, Outboard nacelle door hinge RH (18355) (ATTACHING PARTS)	1	
	MS20365-428	. . NUT	12	
	AN960D416	. . WASHER	12	
	AN4-7A	. . BOLT	12	
		-----*		
-51	5153037-38	. . COVER (18355) (ATTACHING PARTS)	2	
	NAS221-8	. . SCREW	30	
		-----*		
-52	2192617	. . INSTRUCTION PLATE (18355) (ATTACHING PARTS)	1	
	6416-82	. . NUT, Speed (78553)	8	
	AN960-8	. . WASHER	8	
	AN530-8-6	. . SCREW	8	
		-----*		

FIG. AND INDEX NO.	PART NUMBER	DESCRIPTION 1 2 3 4 5 6 7	UNITS PER ASSY	USABLE ON CODE
112-		A - USAF 17648, 17649, 17653, 17654, 17657, 17663 and 17664 B - USAF 17641, 17643, 17646, 17659, 17672, 17674, 17676 and 17678 C - USAF 17640, 17642, 17644, 17645, 17647, 17650 thru 17652, 17655, 17656, 17658, 17660 thru 17662, 17665 thru 17671, 17673, 17675, 17677, 17679		

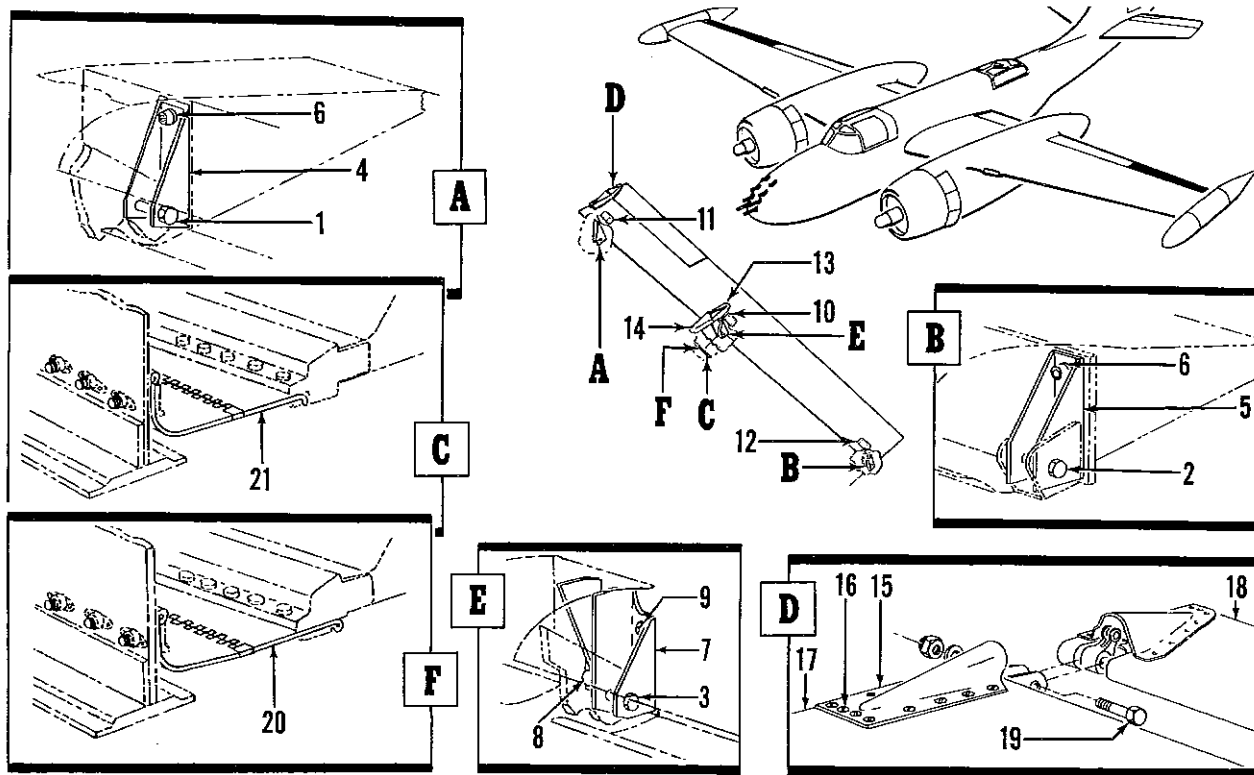


Figure 113. LH and RH Aileron Installation

FIG. AND INDEX NO.	PART NUMBER	DESCRIPTION	UNITS PER ASSY							USABLE ON CODE		
			1	2	3	4	5	6	7			
113-	5153044	AILERON INSTL, LH (18355) (for NHA see fig. 3)								REF		
	5153044-1	AILERON INSTL, RH (18355) (for NHA see fig. 3)								REF		
	5153044-2	AILERON ASSY, Complete LH (18355)								1		
	5153044-3	AILERON ASSY, Complete RH (18355)								1		
	4142651	SPARE PARTS ASSY, Aileron LH								1		
	4142651-1	SPARE PARTS ASSY, Aileron RH								1		
		(ATTACHING PARTS)										
		AN310-4	NUT								2	
		AN960-416	WASHER								2	
	-1	AN4-11	BOLT								1	
	-2	AN4-12	BOLT								1	
		AN310-5	NUT								1	
		AN960D516	WASHER								1	
	-3	AN5-11	BOLT								1	
			*-----									
	5153045	AILERON ASSY, Covered LH (18355)								1		
	5153045-1	AILERON ASSY, Covered RH (18355)								1		
-4	2123286	SUPPORT, Aileron hinge (18355)								1		
-5	5153045-36	BRACKET ASSY, Aileron hinge support (18355)								1		
	5153045-37	BRACKET ASSY, Aileron hinge support (18355)								1		
		(ATTACHING PARTS)										
	MS20365-428	NUT								4		
	AN960D416	WASHER								4		
-6	NAS144-11	BOLT								4		
		*-----										
-7	2123287	SUPPORT, Aileron hinge LH (18355)								1		
	212387-1	SUPPORT, Aileron hinge RH (18355)								1		

FIG. AND INDEX NO.	PART NUMBER	DESCRIPTION							UNITS PER ASSY	USABLE ON CODE
		1	2	3	4	5	6	7		
		(ATTACHING PARTS)								
113-										
-8	AN4-5A	BOLT	.	.	4	
-9	NAS221-13	SCREW	.	.	2	
		-----*-----								
-10	5153045-180	DOOR, Access (18355)	.	.	1	
-11	5153045-182	DOOR, Access (18355)	.	.	1	
-12	5153045-184	DOOR, Access (18355)	.	.	1	
-13	5150374	FAIRING, Aileron aft LH (18355)	.	.	1	
	5150374-1	FAIRING, Aileron aft RH (18355)	.	.	1	
-14	5150376	FAIRING, Aileron forward LH (18355)	.	.	1	
	5150376-1	FAIRING, Aileron forward RH (18355)	.	.	1	
-15	5150375	FAIRING, Aileron tab forward (18355)	.	.	1	
		(ATTACHING PARTS)								
-16	AN507-1032-10	SCREW	.	.	33	
		-----*-----								
-17	5153045-130	AILERON ASSY, Covered LH (18355)	.	.	1	
	5153045-131	AILERON ASSY, Covered RH (18355)	.	.	1	
-18	5284476	TAB ASSY, Aileron LH (18355)	.	.	1	
	5284476-1	TAB ASSY, Aileron RH (18355)	.	.	1	
		(ATTACHING PARTS)								
	AN310-3	NUT	.	.	3	
	AN960-10	WASHER	.	.	6	
-19	AN3-12	BOLT	.	.	3	
		-----*-----								
-20	5154655	SEAL ASSY, Aileron air inboard LH (18355)	.	.	1	
	5154655-1	SEAL ASSY, Aileron air inboard RH (18355)	.	.	1	
-21	5154656	SEAL ASSY, Aileron air outboard LH (18355)	.	.	1	
	5154656-1	SEAL ASSY, Aileron air outboard RH (18355)	.	.	1	
		(ATTACHING PARTS)								
	AN520-10-10	SCREW	.	.	AR	
	AN520-10-12	SCREW	.	.	AR	
	AN520-10-18	SCREW	.	.	AR	
	AN530-8-10	SCREW	.	.	AR	
	AN960-10	WASHER	.	.	AR	
		-----*-----								

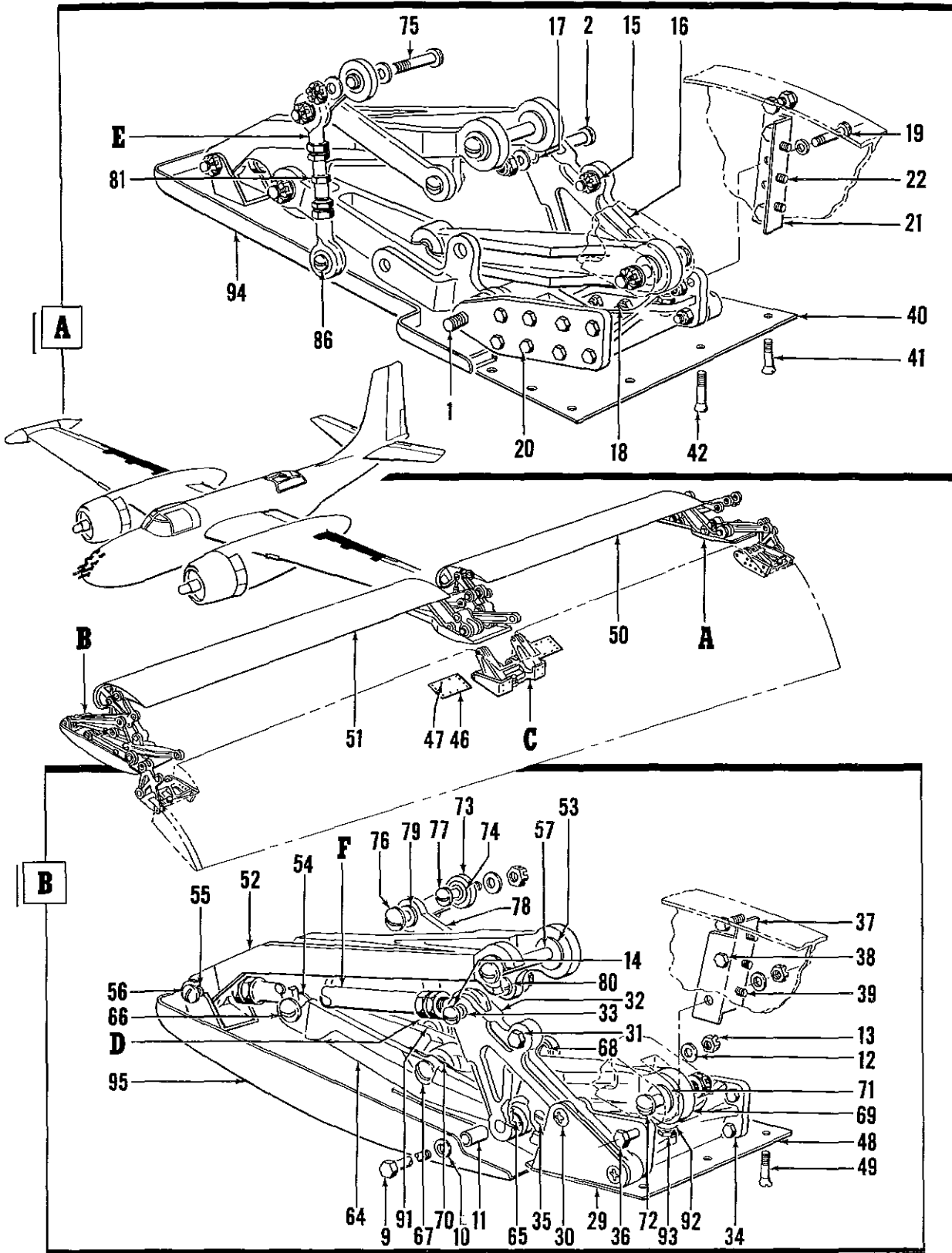


Figure 114. LH and RH Wing Flap Installations (Sheet 1 of 2)

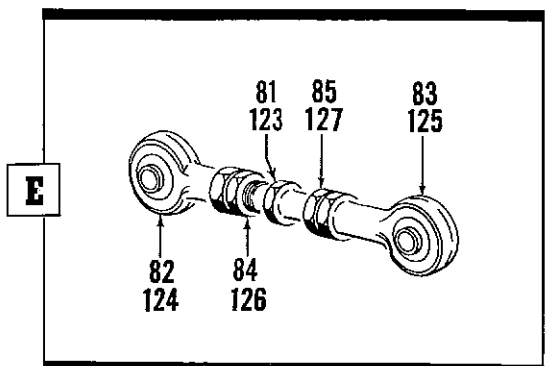
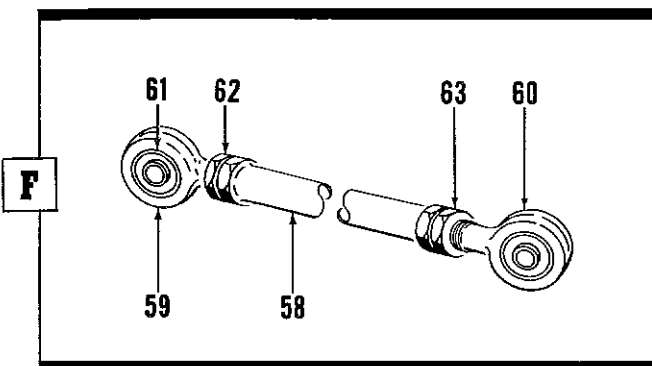
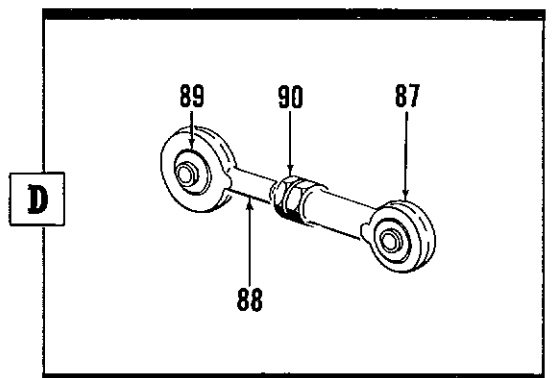
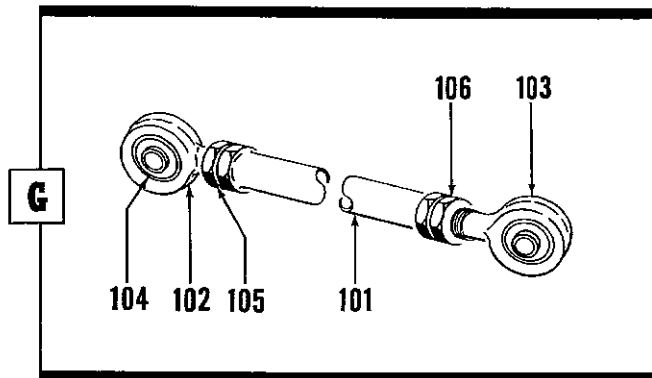
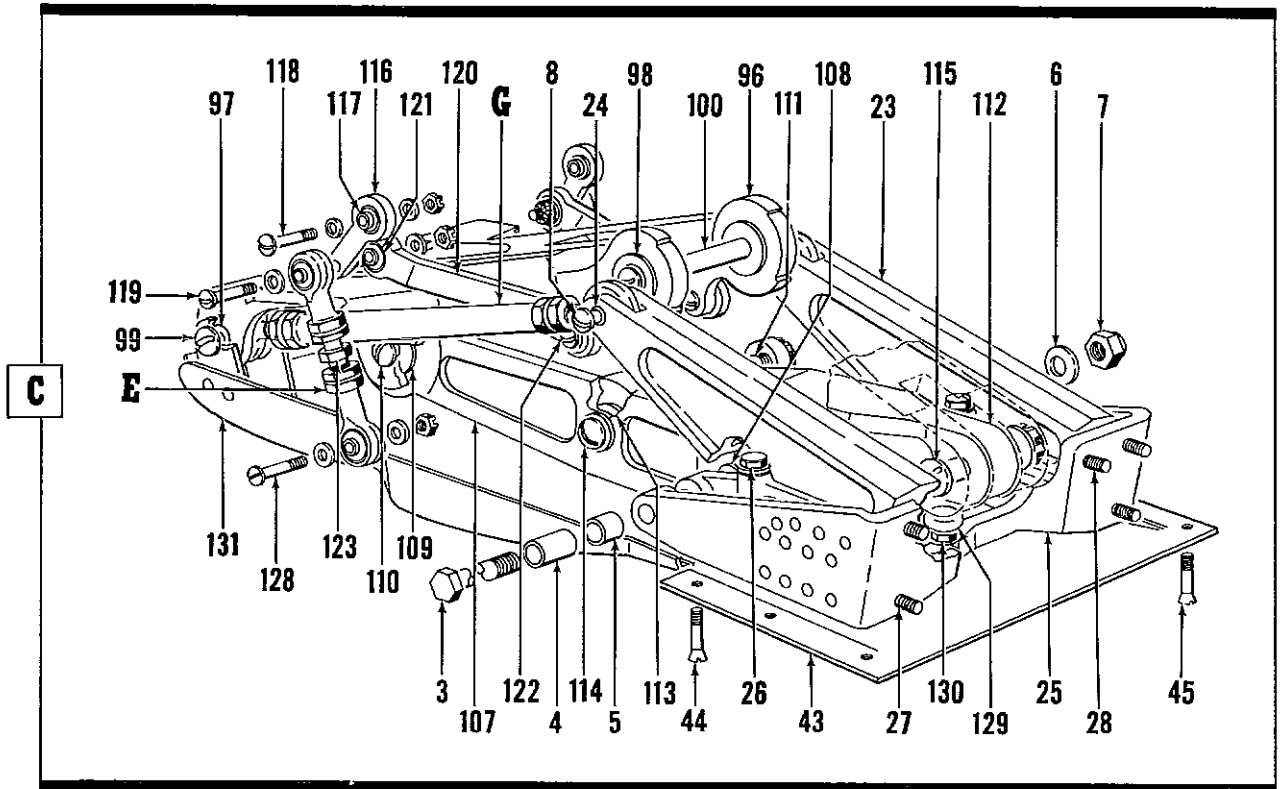


Figure 114. LH and RH Wing Flap Installations (Sheet 2 of 2)

Section II
Group Assembly Parts List

T.O. 1B-26K-4

FIG. AND INDEX NO.	PART NUMBER	DESCRIPTION 1 2 3 4 5 6 7	UNITS PER ASSY	USABLE ON CODE
114-	5153048	FLAP INSTL, Wing LH (18355) (for NHA see fig. 3) (for additional . . . details see fig.115)	REF	
	5153048-1	FLAP INSTL, Wing RH (18355) (for NHA see fig. 3) (for additional . . . details see fig.115)	REF	
	5153050	. FLAP ASSY, Wing outboard LH (18355)	1	
	5153050-1	. FLAP ASSY, Wing outboard RH (18355) (ATTACHING PARTS)	1	
-1	AN4H51A	. BOLT (Used at sta 142)	1	
	124682-4S11-030	. WASHER (Used at sta 142) (18355)	1	
	1026614-4-030	. SPACER, Steel OD bearing (Used at sta 142) (18355)	1	
	AN960-416L	. WASHER (Used at sta 142)	1	
	AN320-4	. NUT (Used at sta 142)	1	
	AN960-416L	. WASHER (Used at sta 142)	1	
-2	AN24-13	. BOLT (Used at sta 142)	1	
-3	2207950	. BOLT, Wing flap mechanism (used at sta 203) (18355)	1	
-4	NAS75-6-032	. BUSHING (Used at sta 203)	1	
-5	NAS43DD6-24A	. SPACER (Used at sta 203)	1	
-6	AN960D616	. WASHER (Used at sta 203)	1	
-7	AN310-6	. NUT (Used at sta 203)	1	
	AN320-4	. NUT (Used at sta 203)	2	
	AN960-416L	. WASHER (Used at sta 203)	2	
-8	AN24-21	. BOLT (Used at sta 203)	2	
-9	AN4-50	. BOLT (Used at sta 270)	1	
-10	124682-4S11-030	. WASHER (Used at sta 270) (18355)	2	
-11	1026614-4-030	. SPACER, Steel OD bearing (used at sta 270) (18355)	1	
-12	AN960-416L	. WASHER (Used at sta 270)	1	
-13	AN320-4	. NUT (Used at sta 270)	1	
	AN320-4	. NUT (Used at sta 270)	1	
	AN960-416L	. WASHER (Used at sta 270)	1	
-14	AN24-19	. BOLT (Used at sta 270)	1	
	4208191	. . HINGE ASSY, Outboard flap rotating rod stationary sta 142 LH (18355)	1	
	4208191-1	. . HINGE ASSY, Outboard flap rotating rod stationary sta 142 RH (18355) (ATTACHING PARTS)	1	
	MS20365-428	. . NUT	2	
	AN960D416	. . WASHER	2	
-15	AN4-14A	. . BOLT	2	
	4208191-2	. . HINGE, LH (18355)	1	
	4208191-3	. . HINGE, RH (18355)	1	
-17	116500-4S008	. . BUSHING, Cold rolled steel (18355)	1	
	4127480	. . HINGE, Outboard flap stationary LH (18355)	1	
	4127480-1	. . HINGE, Outboard flap stationary RH (18355) (ATTACHING PARTS)	1	
	MS20365-1032	. . NUT	5	
	AN960D10	. . WASHER	5	
-18	AN507-1032-10	. . SCREW	5	
	MS20365-1032	. . NUT	1	
	AN960D10	. . WASHER	1	
-19	AN3-5A	. . BOLT	1	
	MS20365-1032	. . NUT	8	
-20	AN3-7A	. . BOLT	8	
	5153050-250	. . ANGLE, Wing outboard flap LH (18355)	1	
	5153050-251	. . ANGLE, Wing outboard flap RH (18355) (ATTACHING PARTS)	1	
	MS20365-1032	. . NUT	3	
	AN960D10	. . WASHER	6	
-22	AN3-5A	. . BOLT	6	
	4128102	. . HINGE ASSY, Wing sta 204 outboard flap rotating rod stationary (18355)	2	
-23	4128102-2	. . HINGE (18355)	1	
-24	116500-4S010	. . BUSHING, Cold rolled steel 1/4 ID by 0.376 OD by 3/8 in. long (18355)	2	

FIG. AND INDEX NO.	PART NUMBER	DESCRIPTION	UNITS PER ASSY	USABLE ON CODE
114-25	5128419	. . . HINGE, Wing sta 204 outboard flap stationary (18355)	1	
	MS20365-524	. . . NUT	4	
	AN960D516	. . . WASHER	4	
-26	AN5-26A	. . . BOLT	4	
-27	AN4-7A	. . . BOLT	2	
	AN960D416	. . . WASHER	2	
-28	AN4-11A	. . . BOLT	4	
	AN960D416	. . . WASHER	4	
-29	5153050-88	. . . ANGLE, Wing outboard flap LH (18355)	1	
	5153050-89	. . . ANGLE, Wing outboard flap RH (18355)	1	
	4127482	. . . HINGE ASSY, Outboard flap rotating rod stationary (18355)	1	
	4127482-1	. . . HINGE ASSY, Outboard flap rotating rod stationary (18355)	1	
		(ATTACHING PARTS)		
	MS20365-428	. . . NUT	2	
	AN960D416	. . . WASHER	2	
-30	AN509-416R27	. . . SCREW	2	
	MS20365-428	. . . NUT	2	
	AN960D416	. . . WASHER	2	
-31	AN4-10A	. . . BOLT	2	
		-----*		
-32	4127482-2	. . . HINGE, LH (18355)	1	
	4127482-3	. . . HINGE, RH (18355)	1	
-33	116500-4S008	. . . BUSHING, Cold rolled steel (18355)	2	
-34	4127480	. . . HINGE, Outboard flap stationary LH (18355)	1	
	4127480-1	. . . HINGE, Outboard flap stationary RH (18355)	1	
		(ATTACHING PARTS)		
	MS20365-1032	. . . NUT	5	
	AN960D10	. . . WASHER	5	
-35	AN507-1032-12	. . . SCREW	5	
	MS20365-1032	. . . NUT	1	
	AN960D10	. . . WASHER	1	
-36	AN3-6A	. . . BOLT	1	
		-----*		
-37	5153050-214	. . . ANGLE, LH (18355)	1	
	5153050-215	. . . ANGLE, RH (18355)	1	
		(ATTACHING PARTS)		
	MS20365-1032	. . . NUT	2	
-38	AN3-5A	. . . BOLT	2	
-39	AN3-5A	. . . BOLT	3	
	AN960D10	. . . WASHER	3	
		-----*		
-40	5153050-84	. . . COVER, LH (18355)	1	
	5153050-85	. . . COVER, RH (18355)	1	
		(ATTACHING PARTS)		
-41	AN507-1032-8	. . . SCREW	6	
-42	AN507-1032-10	. . . SCREW	2	
		-----*		
-43	5153050-140	. . . FAIRING (18355)	1	
		(ATTACHING PARTS)		
-44	AN507-1032-8	. . . SCREW	4	
-45	AN507-1032-12	. . . SCREW	2	
		-----*		
-46	5153050-196	. . . COVER (18355)	2	
		(ATTACHING PARTS)		
-47	AN507-1032-8	. . . SCREW	12	
		-----*		
-48	5153050-90	. . . COVER, LH (18355)	1	
	5153050-91	. . . COVER, RH (18355)	1	
		(ATTACHING PARTS)		
-49	AN507-1032-8	. . . SCREW	8	
		-----*		
-50	5157406	. . . DEFLECTOR ASSY, Outboard flap inboard LH (inter- changeable with 5208865) (riveted) (18355)	1	

Section II
Group Assembly Parts List

T.O. 1B-26K-4

FIG. AND INDEX NO.	PART NUMBER	DESCRIPTION	UNITS PER ASSY	USABLE ON CODE		
					1	2
114-	5157406-1	. DEFLECTOR ASSY, Outboard flap inboard RH (inter-changeable with 5208865-1) (riveted) (18355)	1			
	5208865	. DEFLECTOR ASSY, Outboard flap inboard LH (inter-changeable with 5157406) (riveted) (18355)	1			
	5208865-1	. DEFLECTOR ASSY, Outboard flap inboard RH (inter-changeable with 5157406-1) (riveted) (18355)	1			
-51	5157407	. DEFLECTOR ASSY, Outboard flap outboard LH (inter-changeable with 5208882) (riveted) (18355)	1			
	5157407-1	. DEFLECTOR ASSY, Outboard flap outboard RH (inter-changeable with 5208882-1) (riveted) (18355)	1			
	5208882	. DEFLECTOR ASSY, Outboard flap outboard LH (inter-changeable with 5157407) (riveted) (18355)	1			
	5208882-1	. DEFLECTOR ASSY, Outboard flap outboard RH (inter-changeable with 5157407-1) (riveted) (18355)	1			
	4127476	. LINK ASSY, Outboard flap wing sta 270-1/2 and 144-1/4 forward LH (18355)	2			
	4127476-1	. LINK ASSY, Outboard flap wing sta 270-1/2 and 144-1/4 forward RH (18355)	2			
-52	4127476-2	. . LINK, LH (18355)	1			
	4127476-3	. . LINK, RH (18355)	1			
-53	RBC6	. . BEARING, Needle (51588)	2			
-54	RBC7	. . BEARING, Needle (51588)	1			
-55	116500-4S008	. . BUSHING, Cold rolled steel 1/4 ID by 0.376 OD by 1/4-in. long (18355)	2			
	AN320-4	. . NUT	2			
	1026614-4-101	. . SPACER, OD bearing (18355)	2			
	1026614-4-002	. . SPACER, OD bearing (18355)	2			
-56	AN24-36	. . BOLT	2			
	AN320-6	. . NUT	2			
	AN960D616	. . WASHER	2			
-57	AN26-50	. . BOLT	2			
	2126684-2	. . ROD ASSY, Flap rotating (18355)	2			
-58	2126685-1	. . TUBE ASSY, Flap rotating rod (18355)	1			
	2126686-2	. . BEARING ASSY, Flap rotating rod LH thread (18355)	1			
	2126686-3	. . BEARING ASSY, Flap rotating rod RH thread (18355)	1			
-59	2126686-8	. . . HOUSING (18355)	1			
-60	2126686-9	. . . HOUSING (18355)	1			
-61	RBC4	. . BEARING, Needle (51588)	2			
-62	AN316-6L	. . NUT	1			
-63	AN316-6R	. . NUT	1			
	4127478	. HINGE ASSY, Outboard flap wing sta 270-1/2 and 144-1/2 moving LH (18355)	2			
	4127478-1	. HINGE ASSY, Outboard flap wing sta 270-1/2 and 144-1/2 moving RH (18355)	2			
-64	4127478-2	. . HINGE, LH (18355)	1			
	4127478-3	. . HINGE, RH (18355)	1			
-65	RBC4	. . BEARING, Needle (51588)	2			
	AN320-7	. . NUT	2			
	AN950D716L	. . WASHER	2			
-66	AN27-21	. . BOLT	2			
	AN320-5	. . NUT	2			
	AN960-516L	. . WASHER	2			
-67	AN25-54	. . BOLT	2			
	AN320-4	. . NUT	2			
	AN960-416L	. . WASHER	2			
-68	AN24-47	. . BOLT	2			
	4127461	. LINK ASSY, Outboard flap sta 270-1/2 and 144-1/4 aft (18355)	2			
-69	4127461-2	. . LINK (18355)	1			
-70	RBC5	. . BEARING, Needle (51588)	2			
-71	RBC7	. . BEARING, Needle (51588)	1			
	AN320-7	. . NUT	2			
	AN960D716	. . WASHER	2			
-72	AN27-23	. . BOLT	2			
	1127639	. LINK ASSY, Inboard and outboard flap door upper (18355)	2			
-73	1127639-2	. . LINK (18355)	1			

FIG. AND INDEX NO.	PART NUMBER	DESCRIPTION	UNITS PER ASSY	USABLE ON CODE		
					1	2
114-74	AN200K3L	. . BEARING	1			
	AN320-3	. NUT	1			
	AN960-10L	. WASHER	1			
	1035349	. WASHER, Control rod end (18355)	1			
-75	AN23-29	. BOLT	1			
	AN320-3	. NUT	2			
	AN960-10L	. WASHER	2			
	1035349	. WASHER, Control rod end (two used at sta 270) (18355)	3			
-76	AN23-17	. BOLT	2			
	AN320-3	. NUT	1			
	AN960-10L	. WASHER	1			
	1035349	. WASHER, Control rod end (18355)	1			
-77	AN23-34	. BOLT	1			
	1127638-2	. LINK ASSY, Outboard flap door aft (18355)	2			
-78	1127638-6	. . LINK (18355)	1			
-79	AN200K3L	. . BEARING	1			
	AN320-3	. NUT	2			
	AN960-10L	. WASHER	2			
	1035349	. WASHER, Control rod end (18355)	2			
-80	AN23-13	. BOLT	2			
	1127677-4	. ROD ASSY, Flap door push (18355)	1			
-81	1127676-4	. . ROD (18355)	1			
-82	RE3FL4	. . END, Rod (86174)	1			
-83	RE3F4	. . END, Rod (86174)	1			
-84	AN316-4L	. . NUT	1			
-85	AN316-4R	. . NUT	1			
	AN320-3	. NUT	1			
	AN960-10L	. WASHER	1			
	1035349	. WASHER, Control rod end (18355)	1			
-86	AN23-17	. BOLT	1			
	1127648	. ROD ASSY, Sta 270-1/2 flap door push (18355)	1			
-87	RE3F4	. . END, Rod (86174)	1			
	1127649	. . BEARING ASSY, Sta 270-1/2 flap door push rod (18355)	1			
-88	1127649-2	. . ROD (18355)	1			
-89	KS3L	. . BEARING, Ball (86174)	1			
-90	AN316-4R	. . NUT	1			
	AN320-3	. NUT	1			
	AN960-10L	. WASHER	1			
-91	AN23-17	. BOLT	1			
-92	2279518-502	. STOP ASSY, Coarse threaded rubber covered (18355) (ATTACHING PARTS)	2			
-93	AN335-4	. NUT	2			
	AN960-416L	. WASHER	2			
		-----*				
-94	4194674	. COVER ASSY, Wing sta 144-1/4 flap mechanism LH (18355)	1			
	4194674-1	. COVER ASSY, Wing sta 144-1/4 flap mechanism RH (18355)	1			
-95	4194673	. COVER ASSY, Wing sta 270-1/2 flap mechanism LH (18355)	1			
	4194673-1	. COVER ASSY, Wing sta 270-1/2 flap mechanism RH (18355)	1			
	4127572	. LINK ASSY, Wing sta 204 forward outboard flap (18355)	1			
-96	4127572-2	. . LINK (18355)	1			
-97	116500-4S006	. . BUSHING, Steel cadmium plate 1/4 ID by 3/16-in. long (18355)	4			
-98	RBC8	. . BEARING, Needle (51588)	2			
	AN320-4	. NUT	2			
	1026614-4-002	. SPACER, OD bearing (18355)	4			
-99	AN24-18	. BOLT	2			
	AN320-8	. NUT	1			
	AN960D816	. WASHER	1			
-100	AN28-66	. BOLT	1			
	2126684-4	. ROD ASSY, Flap rotating (18355)	2			
-101	2126685-1	. . TUBE ASSY, Flap rotating rod (18355)	1			
	2126686-4	. BEARING ASSY, Flap rotating rod LH thread (18355)	1			
	2126686-5	. BEARING ASSY, Flap rotating rod RH thread (18355)	1			
-102	2126686-10	. . HOUSING (18355)	1			
-103	2126686-11	. . HOUSING (18355)	1			
-104	RBC4	. . BEARING, Needle (51588)	2			

Section II
Group Assembly Parts List

T.O. 1B-26K-4

FIG. AND INDEX NO.	PART NUMBER	DESCRIPTION	UNITS PER ASSY	USABLE ON CODE
114-105	AN316-6L	. . . NUT	1	
-106	AN316-6R	. . . NUT	1	
	4127570	. . . HINGE ASSY, Wing sta 204 outboard flap moving LH (18355)	1	
	4127570-1	. . . HINGE ASSY, Wing sta 204 outboard flap moving RH (18355)	1	
-107	4127570-2	. . . HINGE (18355)	1	
	4127570-3	. . . HINGE (18355)	1	
-108	RBC6	. . . BEARING, Needle (51588)	1	
-109	RBC8	. . . BEARING, Needle (51588)	1	
	AN320-8	. . . NUT	1	
	AN960D816	. . . WASHER	1	
-110	AN28-24	. . . BOLT	1	
	AN320-4	. . . NUT	2	
	AN960-416L	. . . WASHER	2	
-111	AN24-48	. . . BOLT	2	
	4127562	. . . LINK, Wing sta 204 aft outboard flap (18355)	1	
-112	4127562-2	. . . LINK (18355)	1	
-113	RBC8	. . . BEARING, Needle (51588)	2	
	AN320-8	. . . NUT	1	
	AN960D816	. . . WASHER	1	
-114	2279245	. . . BOLT, Wing flap mechanism clevis (18355)	1	
	AN320-8	. . . NUT	1	
	AN960D816	. . . WASHER	1	
-115	AN28-42	. . . BOLT	1	
	1127639	. . . LINK ASSY, Inboard and outboard flap door upper (18355)	2	
-116	1127639-2	. . . LINK (18355)	1	
-117	AN200K3L	. . . BEARING	1	
	AN320-3	. . . NUT	2	
	AN960-10	. . . WASHER	2	
-118	1035349	. . . WASHER, Control rod end (18355)	2	
	AN23-11	. . . BOLT	2	
	AN320-3	. . . NUT	2	
	AN960-10L	. . . WASHER	2	
-119	1035349	. . . WASHER, Control rod end (18355)	2	
	AN23-20	. . . BOLT	2	
-120	1127780	. . . LINK ASSY, Wing sta 204 outboard flap door aft (18355)	2	
-121	1127780-2	. . . LINK (18355)	1	
	AN200K3L	. . . BEARING	2	
	AN320-3	. . . NUT	2	
	AN960-10L	. . . WASHER	2	
-122	1035349	. . . WASHER, Control rod end (18355)	2	
	AN23-13	. . . BOLT	2	
-123	1127677-6	. . . ROD ASSY, Flap door push (18355)	2	
	1127676-6	. . . ROD (18355)	1	
-124	RE3FL4	. . . END, Rod (86174)	1	
-125	RE3F4	. . . END, Rod (86174)	1	
-126	AN316-4L	. . . NUT	1	
-127	AN316-4R	. . . NUT	1	
	AN320-3	. . . NUT	2	
	AN960-10L	. . . WASHER	2	
	1035349	. . . WASHER, Control rod end (18355)	2	
-128	AN23-17	. . . BOLT	2	
-129	2279518-500	. . . STOP ASSY, Coarse threaded rubber covered (18355) (ATTACHING PARTS)	1	
-130	AN335-4	. . . NUT	1	
	AN960-416L	. . . WASHER	1	
-131	4129436	. . . COVER ASSY, Wing sta 203-25/32 flap mechanism (18355)	1	

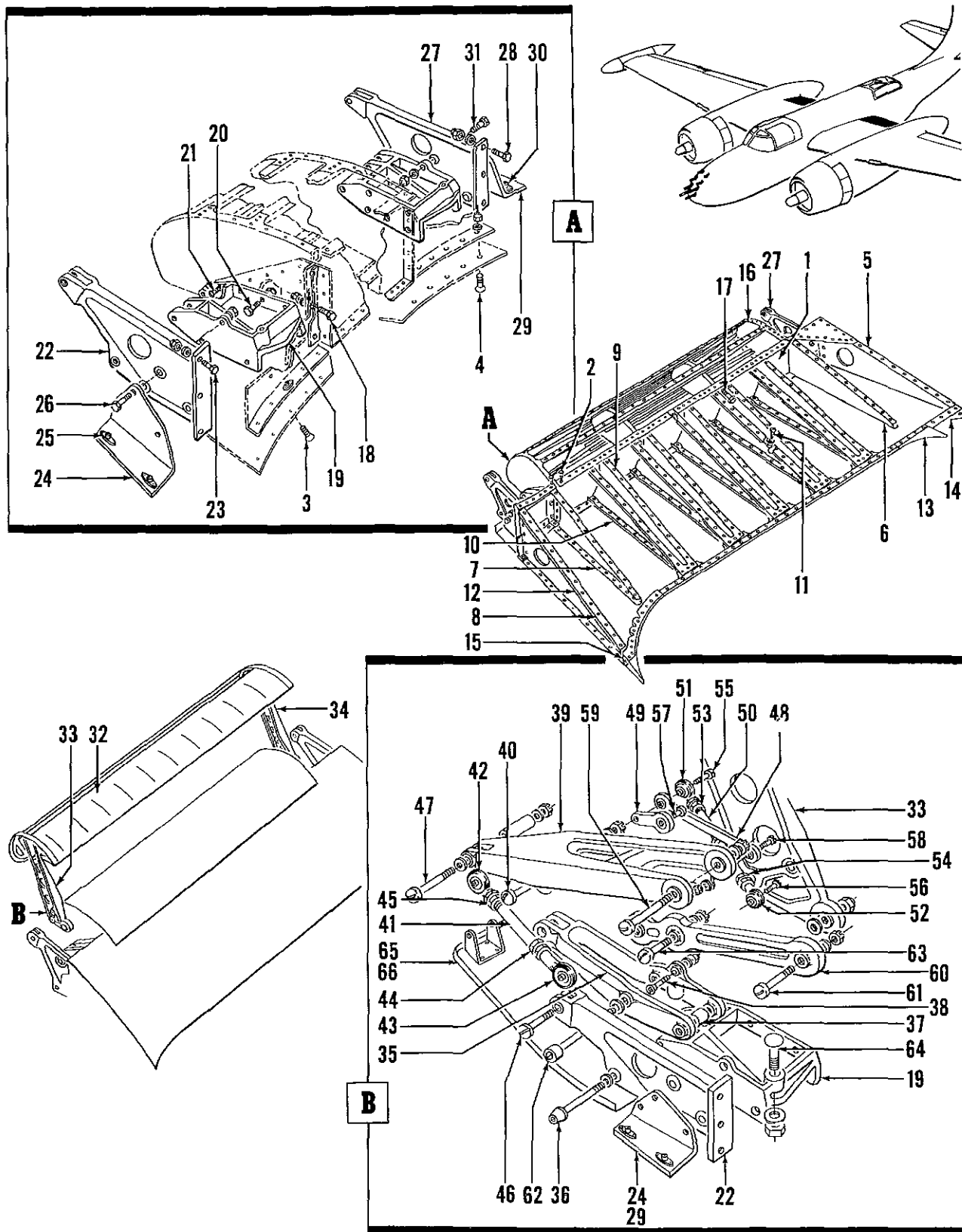


Figure 115. LH and RH Wing Flap Installations

Section II
Group Assembly Parts List

T.O. 1B-26K-4

FIG. AND INDEX NO.	PART NUMBER	DESCRIPTION 1 2 3 4 5 6 7	UNITS PER ASSY	USABLE ON CODE
115-	5153048	FLAP INSTL, Wing LH (18355)(for NHA see fig. 3)(for additional, details see fig.)	REF	
	5153048-1	FLAP INSTL, Wing RH (18355)(for NHA see fig. 3)(for additional details see fig. 114)	REF	
	5153049	STRUCTURE ASSY, Flap inboard LH (18355)	1	
	5153049-1	STRUCTURE ASSY, Flap inboard RH (18355)	1	
-1	5157812	SPAR ASSY, Inboard flap LH (18355)	1	
	5157812-1	SPAR ASSY, Inboard flap RH (18355)	1	
-2	1087510-10-10	SCREW, Flathead 100° recessed (18355)	48	
-3	AN507-1032R8	SCREW	43	
	MS20365-1032	NUT	3	
	AN960D516	WASHER	3	
-4	AN507-1032R8	SCREW	3	
-5	5153049-14	BULKHEAD, Inboard flap sta 32 LH (18355)	1	
	5153049-15	BULKHEAD, Inboard flap sta 32 RH (18355)	1	
-6	5153049-76	BULKHEAD, Inboard flap sta 37 LH (18355)	1	
	5153049-77	BULKHEAD, Inboard flap sta 37 RH (18355)	1	
-7	5153049-78	BULKHEAD, Inboard flap sta 79 LH (18355)	1	
	5153049-79	BULKHEAD, Inboard flap sta 79 RH (18355)	1	
-8	5153049-12	BULKHEAD, Inboard flap sta 84 LH (18355)	1	
	5153049-13	BULKHEAD, Inboard flap sta 84 RH (18355)	1	
-9	5153049-86	PANEL ASSY, Inboard flap upper LH (18355)	1	
	5153049-87	PANEL ASSY, Inboard flap upper RH (18355)	1	
-10	5153049-90	PANEL ASSY, Inboard flap lower LH (18355)	1	
	5153049-91	PANEL ASSY, Inboard flap lower RH (18355)	1	
-11	AN520-10-8	SCREW	8	
-12	1125594-2000	BULB, Extruded elastic (18355)	1	
-13	4128284	FILLET, Inboard flap trailing edge inboard LH (18355)	1	
	4128284-1	FILLET, Inboard flap trailing edge inboard RH (18355)	1	
-14	5153049-74	BULKHEAD, Inboard flap sta 32 LH (18355)	1	
	5153049-75	BULKHEAD, Inboard flap sta 32 RH (18355)	1	
-15	4157977	FILLET, Inboard flap trailing edge outboard LH (18355)	1	
	4157977-1	FILLET, Inboard flap trailing edge outboard RH (18355)	1	
-16	5153049-96	NOSE ASSY, Inboard flap LH (18355)	1	
	5153049-97	NOSE ASSY, Inboard flap RH (18355)	1	
-17	AN3-4A	BOLT	4	
	AN960D10	WASHER	4	
	MS20365-428	NUT	6	
	AN960D416	WASHER	6	
-18	AN4-6A	BOLT	6	
-19	4128106	HINGE, Inboard flap stationary LH (LH and RH) (18355)	1	
	4128106-1	HINGE, Inboard flap stationary RH (LH and RH) (18355)	1	
	MS20365-1032	NUT	6	
-20	AN3-6A	BOLT	6	
	MS20365-1032	NUT	2	
-21	AN23-11A	SCREW	2	
-22	4128108-1	HINGE ASSY, Rotating rod stationary sta 81 LH (18355)	1	
	4128108	HINGE ASSY, Rotating rod stationary sta 81 RH (18355)	1	
	MS20365-428	NUT	3	
	AN960D416	WASHER	3	
-23	AN4-7A	BOLT	3	
-24	5153049-56	ANGLE, Inboard flap sta 84 LH (18355)	1	
	5153049-57	ANGLE, Inboard flap sta 84 RH (18355)	1	
-25	AN507-1032R6	SCREW	2	
	MS20365-524	NUT	3	
	AN960D516	WASHER	3	
-26	AN5-13A	BOLT	3	
-27	4129569	HINGE ASSY, Rotating rod stationary sta 33 LH (18355)	1	
	4129569	HINGE ASSY, Rotating rod stationary sta 33 RH (18355)	1	
	MS20365-428	NUT	3	
	AN960D416	WASHER	3	
-28	AN4-7A	BOLT	3	
-29	5153049-52	ANGLE, Inboard flap sta 33 LH (18355)	1	
	5153049-53	ANGLE, Inboard flap sta 33 RH (18355)	1	
-30	AN507-1032R6	SCREW	3	
	MS20365-524	NUT	3	
	AN960D516	WASHER	3	
-31	AN5-13A	BOLT	3	
	5157405	DEFLECTOR ASSY, Flap inboard (18355) (interchangeable with 5208870)	1	

FIG. AND INDEX NO.	PART NUMBER	DESCRIPTION	UNITS PER ASSY	USABLE ON CODE
115-	5208870	. DEFLECTOR ASSY, Flap inboard (18355) (interchangeable with 5157405)	1	
-32	5157405-14	. . DEFLECTOR ASSY, Flap inboard (18355) (interchangeable with 5208870-14)	1	
	5208870-14	. . DEFLECTOR ASSY, Flap inboard (18355) (interchangeable with 5157405-14)	1	
-33	5128678	. . SUPPORT ASSY, Inboard flap deflector LH (18355) (interchangeable with 5208786)	1	
	5208786	. . SUPPORT ASSY, Inboard flap deflector LH (18355) (interchangeable with 5128678)	1	
-34	5128678-1	. . SUPPORT ASSY, Inboard flap deflector RH (18355) (interchangeable with 5208786-1)	1	
	5208786-1	. . SUPPORT ASSY, Inboard flap deflector RH (18355) (interchangeable with 5128687-1)	1	
-35	4127576	. HINGE ASSY, Inboard flap moving LH (LH and RH) (18355)	1	
	4127576-1	. HINGE ASSY, Inboard flap moving RH (LH and RH) (18355)	1	
-36	NAS144DH72	. BOLT.	1	
	NAS143-4C	. WASHER.	1	
-37	1026614-4-024	. SPACE, OD bearing (18355)	1	
	124682-4S10-050	. WASHER (18355)	2	
	MS20365-428	. NUT.	1	
	AN960-416L	. WASHER.	1	
-38	AN509-416R23	. SCREW.	1	
-39	4127583-6	. LINK ASSY, Inboard flap fwd LH (LH and RH) (18355).	1	
	4127583-7	. LINK ASSY, Inboard flap fwd RH (LH and RH) (18355).	1	
	AN320-7	. NUT.	1	
	AN960D716	. WASHER.	1	
-40	AN27-23	. BOLT.	1	
	2126684-6	. ROD ASSY, Flap rotating (18355)	1	
-41	2126685-3	. . TUBE ASSY, Flap rotating rod (18355).	1	
-42	2126686-6	. . BEARING ASSY, Flap rotating rod LH (18355).	1	
-43	2126686-7	. . BEARING ASSY, Flap rotating rod RH (18355).	1	
-44	AN316-6L	. . NUT.	1	
-45	AN316-6R	. . NUT.	1	
	AN320-4	. NUT.	1	
	AN960-416L	. WASHER.	1	
-46	AN24-18	. BOLT.	1	
	AN320-4	. NUT.	1	
	AN960-416L	. WASHER.	1	
-47	AN24-36	. BOLT.	1	
	1026614-4-002	. SPACER, OD bearing (18355).	1	
	1026614-4-101	. SPACER, OD bearing (18355).	1	
	AN960-416L	. WASHER.	1	
	AN320-4	. NUT.	1	
-48	1127638-4	. LINK ASSY, Inboard flap door aft (18355).	1	
-49	1127639	. LINK ASSY, Inboard flap door upper (18355).	1	
	1127677-8	. ROD ASSY, Flap door push sta 81 (18355).	1	
	1127677-2	. ROD ASSY, Flap door push sta 34 (18355).	1	
-50	1127676-8	. . ROD, Flap door push sta 81 (18355).	1	
	1127676-2	. . ROD, Flap door push sta 34 (18355).	1	
-51	RE3FL4	. . END, Rod (86174).	1	
-52	RE3F4	. . END, Rod (86174).	1	
-53	AN316-4L	. . NUT.	1	
-54	AN316-4R	. . NUT.	1	
	AN320-3	. NUT.	1	
	AN960-10L	. WASHER.	1	
-55	AN23-20	. BOLT.	1	
	AN320-3	. NUT.	1	
	AN960-10L	. WASHER.	1	
-56	AN23-17	. BOLT.	1	
	AN320-3	. NUT.	1	
	AN960-10L	. WASHER.	1	
	1035349	. WASHER, Control rod end (18355).	3	
-57	AN23-34	. BOLT.	1	
	AN320-3	. NUT.	1	
	AN960-10L	. WASHER.	1	

Section II
Group Assembly Parts List

T.O. 1B-26K-4

FIG. AND INDEX NO.	PART NUMBER	DESCRIPTION	UNITS PER ASSY	USABLE ON CODE
115-58	AN23-13	. BOLT.	1	
	AN320-7	. NUT (used on 5153048-1)	1	
	AN320-6	. NUT (used on 5153048)	1	
	AN960D716	. WASHER (used on 5153048-1)	1	
	AN960-616L	. WASHER (used on 5153048)	1	
	AN26-50	. BOLT (used on 5153048-1)	1	
-59	AN26-49	. BOLT (used on 5153048)	1	
-60	4127563	. LINK ASSY, Inboard flap sta 33 and 84 aft (18355)	1	
	AN320-7	. NUT.	1	
	AN960D716	. WASHER.	1	
-61	AN27-25	. BOLT.	1	
	AN320-5	. NUT.	1	
	AN960-516L	. WASHER.	1	
	NAS143-5C	. WASHER.	1	
-62	2153715	. BOLT, Inboard flap mechanism internal wrenching (18355)	1	
	AN320-4	. NUT.	1	
	AN960-416L	. WASHER.	1	
-63	AN24-20	. BOLT.	1	
	AN335-4	. NUT.	1	
	AN960-416L	. WASHER.	1	
-64	2279518-504	. STOP (18355).	1	
-65	4191593	. COVER ASSY, Flap mechanism sta 81 LH (18355)	1	
	4191493-1	. COVER ASSY, Flap mechanism sta 81 RH (18355)	1	
-66	4191572	. COVER ASSY, Flap mechanism sta 34 LH (18355)	1	
	4191572-1	. COVER ASSY, Flap mechanism sta 34 RH (18355)	1	

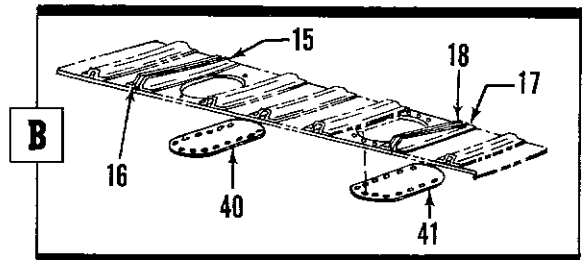
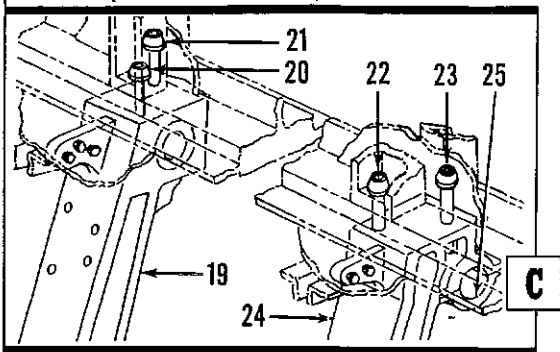
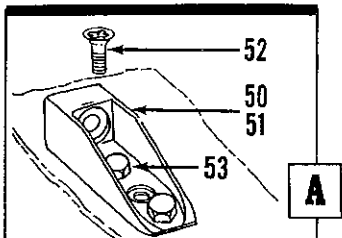
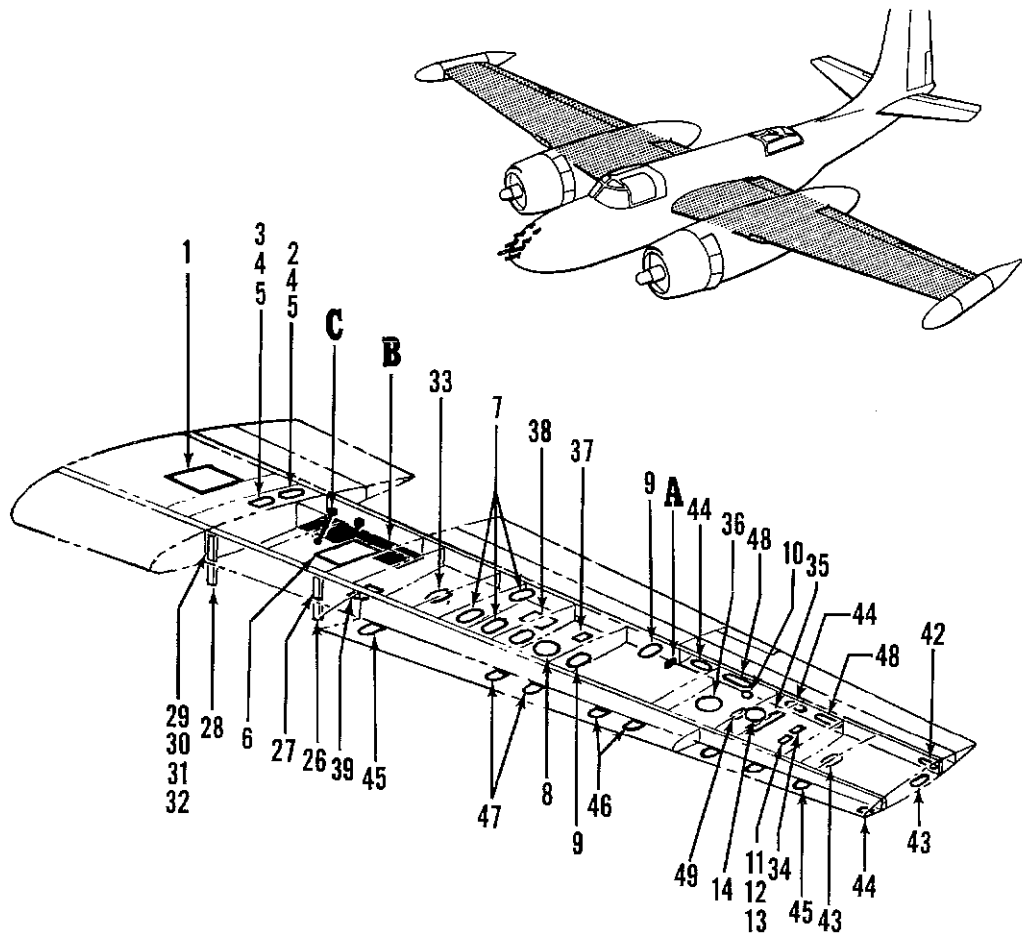


Figure 116. LH and RH Wing Panel Structure Assemblies

Section II
Group Assembly Parts List

T.O. 1B-26K-4

FIG. AND INDEX NO.	PART NUMBER	DESCRIPTION	UNITS PER ASSY	USABLE ON CODE	
					1 2 3 4 5 6 7
116-	26-0022-1	STRUCTURE ASSY, Wing panel LH (for NHA see fig. 110)	REF		
	26-0022-2	STRUCTURE ASSY, Wing panel RH (for NHA see fig. 110)	REF		
	26-1501-1L	WING, Upper surface LH	1		
	26-1501-1R	WING, Upper surface RH	1		
	-1	26-1501-21L	COVER	1	
		26-1501-21R	COVER	1	
		(ATTACHING PARTS)			
		AN509-428	SCREW	AR	
		-----*			
	-2	26-1508-1	DOOR ASSY (RIVITED)	1	
	-3	26-1508-2	DOOR ASSY (RIVITED)	1	
	-4	99836	PIN (97375)	2	
	-5	98265-2-210	STUD, Turnlock fastener (97375)	2	
	-6	26-1501-25L	COVER	1	
26-1501-25R		COVER	1		
	(ATTACHING PARTS)				
	AN509-428	SCREW	AR		
	-----*				
-7	26-1501-26L	COVER	4		
	26-1501-26R	COVER	4		
	(ATTACHING PARTS)				
	AN509-10R8	SCREW	AR		
	-----*				
-8	26-1501-30	COVER	1		
		(ATTACHING PARTS)			
	AN509-1032	SCREW	AR		
	-----*				
-9	26-1501-28	COVER	2		
		(ATTACHING PARTS)			
	AN509-1032	SCREW	AR		
	-----*				
-10	26-1501-35	COVER	1		
		(ATTACHING PARTS)			
	AN509-10R8	SCREW	3		
	-----*				
-11	26-1501-34	COVER	1		
-12	99836	PIN (97375)	1		
-13	98265-1	STUD, Turnlock fastener (97375)	1		
-14	26-1501-33	COVER	1		
		(ATTACHING PARTS)			
	AN509-10R8	SCREW	AR		
	-----*				
	26-1500-1L	SKIN INSTALLATION, Lower surface modification, wing sta 32,00 to 404.94, B26K, LH	NP		
	26-1500-1R	SKIN INSTALLATION, Lower surface modification, wing sta 32.00 to 404.94, B26K, RH	NP		
-15	26-1514-3	ATTACH ANGLE, M. L. G. Nacelle support, wing sta 98.51 LH	1		
	26-1514-4	ATTACH ANGLE, M. L. G. Nacelle support, wing sta 98.51, RH	1		
-16	26-1514-5	ATTACH ANGLE, M. L. G. Nacelle support, wing sta 98.51, LH	1		
	26-1514-6	ATTACH ANGLE, M. L. G. Nacelle support, wing sta 98.51, RH	1		
	(ATTACHING PARTS)				
	MS20365-624	NUT	8		
	AN960D616	WASHER	8		
	AN6-14A	BOLT	8		
	-----*				
-17	26-1515-2L	ATTACH ANGLE, M. L. G. Nacelle support, wing sta 128.527, LH	1		
	26-1515-2R	ATTACH ANGLE, M. L. G. Nacelle support, wing sta 128.527, RH	1		

FIG. AND INDEX NO.	PART NUMBER	DESCRIPTION	UNITS PER ASSY	USABLE ON CODE
116-18	26-1515-3L	. . ATTACH ANGLE, M. L. G. Nacelle support, wing sta 128.527, LH	1	
	26-1515-3R	. . ATTACH ANGLE, M. L. G. Nacelle support, wing sta 128.527, RH (ATTACHING PARTS)	1	
	MS20365-524	. . NUT	4	
	AN960D516	. . WASHER	4	
	AN5-13A	. . BOLT	4	
-19	5123846	. . FITTING, Nacelle landing gear support inboard LH (18355)	1	
	5123846-1	. . FITTING, Nacelle landing gear support inboard RH (18355) (ATTACHING PARTS)	1	
	NAS443-8	. . NUT	2	
	26-1521-3	. . WASHER	2	
	26-1521C3	. . WASHER	2	
-20	26-1520-4-18	. . BOLT, Internal wrench 160,000 PSI special	1	
-21	26-1520-4-16	. . BOLT, Internal wrench, 160,000 PSI special -----*-----	1	
	5123848	. . FITTING ASSY, Nacelle landing gear outboard LH (18355)	1	
	5123848-1	. . FITTING ASSY, Nacelle landing gear outboard RH (18355) (ATTACHING PARTS)	1	
	NAS443-8	. . NUT	2	
	26-1521-3	. . WASHER	2	
	26-1521C3	. . WASHER	2	
-22	26-1520-4-5	. . BOLT, Internal wrench, 160,000 PSI special	1	
-23	26-1520-4-3	. . BOLT, Internal wrench, 160,000 PSI special -----*-----	1	
-24	5123848-4 SUPPORT, Nacelle landing gear outboard LH (18355)	1	
	5123848-5 SUPPORT, Nacelle landing gear outboard RH (18355)	1	
-25	5123848-2 CAP, Nacelle landing gear support outboard (18355)	1	
	26-1519-1L STRAP INSTL, Nacelle area reinforcing, LH	1	
	26-1519-1R STRAP INSTL, Nacelle area reinforcing, RH	1	
-26	26-1519-4L FITTING LH	1	
	26-1519-4R FITTING RH (ATTACHING PARTS)	1	
	NAS443-7 NUT	3	
	26-1521-2 WASHER	3	
	26-1521C3 WASHER	3	
	26-1520-3-10 BOLT -----*-----	3	
-27	4190305 FITTING LH (18355)	1	
	4190305-1 FITTING RH (18355)	1	
-28	26-1519-5L FITTING LH	1	
	26-1519-5R FITTING RH (ATTACHING PARTS)	1	
	NAS443-8 NUT	2	
	26-1521-3 WASHER	2	
	26-1521C3 WASHER	2	
-29	26-1520-5-15 BOLT, Internal wrench, 160,000 PSI special	1	
-30	26-1520-5-12 BOLT, Internal wrench, 160,000 PSI special	1	
	NAS443-9 NUT	1	
	26-1521-4 WASHER	1	
	26-1521C4 WASHER	1	
-31	26-1520-7-12 BOLT, Internal wrench, 160,000 PSI special -----*-----	1	
-32	4123663 FITTING LH (18355)	1	
	4123663-1 FITTING RH(18355)	1	
-33	4202954 FAIRING ASSY, Oil cooler drain valve (18355)	1	
-34	26-1500-17 COVER	1	
-35	26-1500-18 COVER	1	
-36	26-1500-20 COVER (ATTACHING PARTS)	1	
	AN509-1032 SCREW -----*-----	15	

Section II
Group Assembly Parts List

T.O. 1B-26K-4

FIG. AND INDEX NO.	PART NUMBER	DESCRIPTION 1 2 3 4 5 6 7	UNITS PER ASSY	USABLE ON CODE
116-37	26-1500-40	. . COVER (ATTACHING PARTS)	1	
	AN509-1032	. . SCREW -----*	8	
-38	26-1500-21	. . COVER (ATTACHING PARTS)	1	
	AN509-1032	. . SCREW -----*	16	
-39	4279520	. DOOR LH (18355)	1	
	4279520-1	. DOOR RH (18355) (ATTACHING PARTS)	1	
	S1029421-1032	. SCREW (18355) -----*	26	
-40	2192630	. DOOR ASSY (18355)	1	
-41	2277371	. DOOR (18355) (ATTACHING PARTS)	1	
	S1029679-10-10	. SCREW (18355)	16	
	AN960D10	. WASHER -----*	16	
-42	4192850	. DOOR (18355) (ATTACHING PARTS)	1	
	S1029421-10-8	. SCREW (18355) -----*	8	
-43	26-1500-16	. COVER	2	
	AN509-1032	. SCREW	16	
-44	4192843	. DOOR (18355) (ATTACHING PARTS)	3	
	S1029421-10-8	. SCREW (18355) -----*	24	
-45	4192872	. COVER, Nose access (18355)	3	
-46	4192874	. COVER, Nose access LH (18355)	3	
	4192874-1	. COVER, Nose access RH (18355)	3	
-47	4278378	. COVER, Nose access LH (18355)	2	
	4278378-1	. COVER, Nose access RH (18355) (ATTACHING PARTS)	2	
	S1029421-10-14	. SCREW (18355)	24	
	S1029421-10-10	. SCREW (18355)	32	
	S1029421-10-9	. SCREW (18355) -----*	16	
-48	4196916	. DOOR LH (18355)	2	
	4196916-1	. DOOR RH (18355) (ATTACHING PARTS)	2	
	S1029421-10-8	. SCREW (18355) -----*	16	
-49	26-1500-19	. COVER	1	
	AN509-1032	. SCREW	8	
-50	2126790-2	. FITTING, Flap hinge LH (18355)	1	
	2126790-3	. FITTING, Flap hinge RH (18355)	1	
-51	2126790-4	. FITTING, Flap hinge LH (18355)	1	
	2126790-5	. FITTING, Flap hinge RH (18355)	1	
-52	AN509-416R12	. SCREW	2	
-53	AN4-6A	. BOLT	4	
	AN960D416	. WASHER	4	

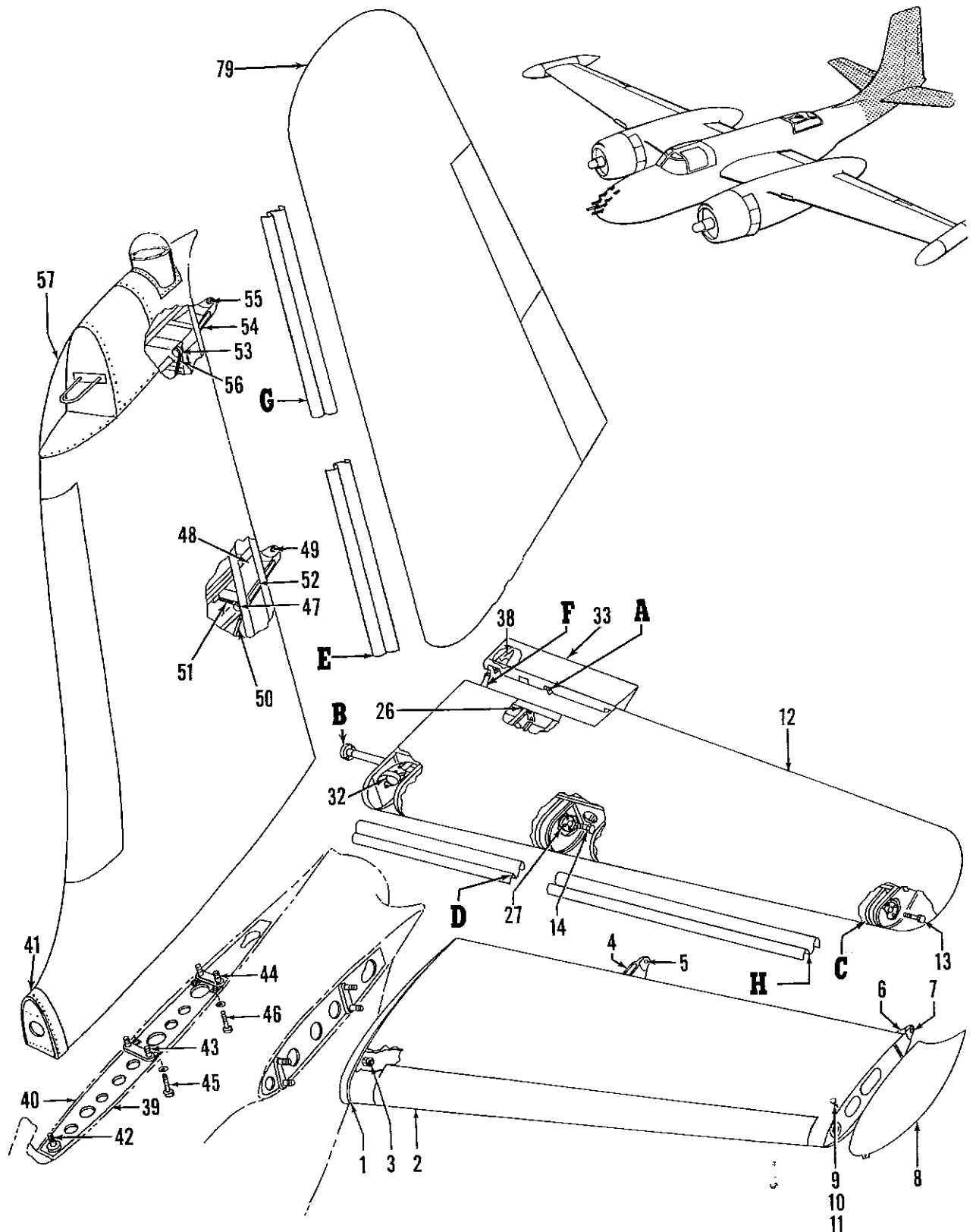


Figure 117. Empennage Installation (Sheet 1 of 2)

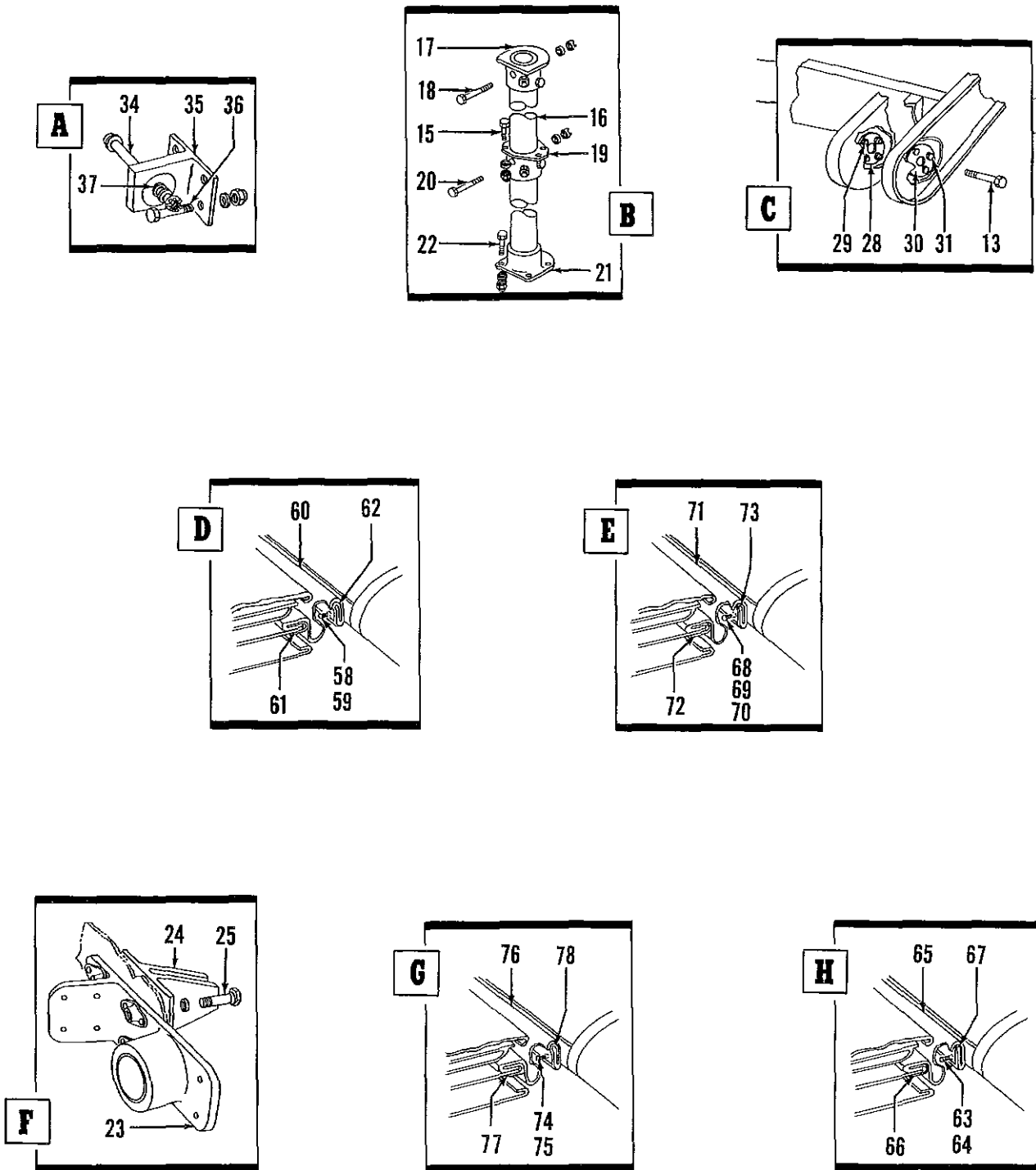


Figure 117. Empennage Installation (Sheet 2 of 2)

FIG. AND INDEX NO.	PART NUMBER	DESCRIPTION 1 2 3 4 5 6 7	UNITS PER ASSY	USABLE ON CODE
117-	26-0020-1	EMPENNAGE INSTL (Altered from 5122110 (18355)) (for NHA see fig. 2) . .	REF	
-1	5122110-12	. STRIP, Seal (18355)	1	
-2	5122113	. STABILIZER ASSY, Horizontal LH (18355)	1	
	5122113-1	. STABILIZER ASSY, Horizontal RH (18355) (ATTACHING PARTS)	1	
-3	12B126	. NUT (72962)	8	
	1075888-12	. WASHER (18355)	8	
	4202905	. . . HINGE ASSY, Elevator (18355) (ATTACHING PARTS)	1	
	NAS443-6	. . . NUT	2	
	AN960-615	. . . WASHER	2	
	NAS146-46	. . . BOLT	2	
-4	4202902	. . . BRACKET ASSY, Elevator Hinge (18355)	1	
-5	AN207D6	. . . BEARING	1	
	4202909	. . . HINGE ASSY, Elevator (18355) (ATTACHING PARTS)	1	
	NAS443-5	. . . NUT	2	
	AN960-516	. . . WASHER	2	
	NAS145-41	. . . BOLT	2	
-6	4202904	. . . BRACKET ASSY, Elev. hinge (18355)	1	
-7	AN207D5	. . . BEARING	1	
-8	5127998	. . . TIP ASSY, Horizontal stabilizer LH (18355)	1	
	5127998-1	. . . TIP ASSY, Horizontal stabilizer RH (18355) (ATTACHING PARTS)	1	
-9	1027421-10-10	. . . SCREW (18355)	24	
-10	1029421-10-12	. . . SCREW (18355)	2	
-11	1029421-10-7	. . . SCREW (18355)	3	
	5122121	. . . ELEVATOR AND TAB INSTL (18355)		
	5122121-2	. . . ELEVATOR AND TAB ASSY LH (18355)	1	
	5122121-3	. . . ELEVATOR AND TAB ASSY RH (18355)	1	
-12	5122122	. . . ELEVATOR ASSY, Covered LH (18355)	1	
	5122122-1	. . . ELEVATOR ASSY, Covered RH (18355) (ATTACHING PARTS)	1	
	AN310-5	. . . NUT	1	
	AN960D516	. . . WASHER	1	
-13	AN5-20	. . . BOLT	1	
	AN310-6	. . . NUT	1	
	AN960D616	. . . WASHER	1	
-14	AN6-23	. . . BOLT	1	
	3126962	. . . TUBE ASSY, Elevator torque LH (18355)	1	
	3126962-1	. . . TUBE ASSY, Elevator torque RH (18355) (ATTACHING PARTS)	1	
	AN310-4	. . . NUT	5	
	AN960D416	. . . WASHER	5	
-15	AN4-6	. . . BOLT	5	
-16	3126962-2	. . . TUBE, Elevator torque (18355)	1	
-17	2129232	. . . FITTING, Elevator torque tube control horn LH (18355)	1	
	2129232-1	. . . FITTING, Elevator torque tube control horn RH (18355) (ATTACHING PARTS)	1	
	AN320-4	. . . NUT	3	
	AN960D416	. . . WASHER	3	
-18	AN174C11	. . . BOLT	3	
-19	2129230	. . . FITTING, Elevator torque tube attaching LH (18355)	1	
	2129230-1	. . . FITTING, Elevator torque tube attaching RH (18355) (ATTACHING PARTS)	1	
	AN320-4	. . . NUT	3	
	AN960D416	. . . WASHER	3	
-20	AN174C11	. . . BOLT	3	

Section II
Group Assembly Parts List

T.O. 1B-26K-4

FIG. AND INDEX NO.	PART NUMBER	DESCRIPTION	UNITS PER ASSY	USABLE ON CODE
117-21	2129229 FITTING, Elevator torque tube end (18355) (ATTACHING PARTS)	1	
	AN310-4 NUT	5	
	AN960D416 WASHER	5	
-22	AN4-5 BOLT	5	
		-----*-----		
-23	4123684 HOUSING (18355)	1	
	A1008-5 BEARING (86174)	1	
-24	2126745-4 BRACKET, Elevator tab hinge (18355) (ATTACHING PARTS)	1	
	AN3H6 BOLT	4	
	AN960D10 WASHER	4	
		-----*-----		
-26	2126745-2 BRACKET, Elevator tab hinge (18355) (ATTACHING PARTS)	2	
	AN3H5 BOLT	8	
	AN960D10 WASHER	8	
		-----*-----		
-27	2203372 MOUNT, Elevator hinge bearing (18355) (ATTACHING PARTS)	2	
	AN310-3 NUT	8	
	AN960D10 WASHER	8	
	AN3-4 BOLT	8	
		-----*-----		
-28	2203365-2 MOUNT, Elevator hinge bearing (18355) (ATTACHING PARTS)	1	
	AN310-3 NUT	4	
	AN960D10 WASHER	4	
-29	AN3-4 BOLT	4	
		-----*-----		
-30	2123364-2 MOUNT, Elevator hinge bearing (18355) (ATTACHING PARTS)	1	
	AN310-3 NUT	4	
	AN960D10 WASHER	4	
-31	AN3-4 BOLT	4	
		-----*-----		
-32	5153654	. . . TRIM, Tab mechanism instl elevator LH (18355) (for details see fig. 119)	NP	
	5153654-1	. . . TRIM, Tab mechanism instl elevator RH (18355) (for details see fig. 119)	NP	
-33	5122124	. . . TAB ASSY, elevator (18355) (ATTACHING PARTS)	1	
	AN320-3	. . . NUT	3	
	AN960D10	. . . WASHER	3	
-34	AN23-13	. . . BOLT	3	
		-----*-----		
-35	2126744-2	. . . BRACKET ASSY, Elevator tab hinge (18355) (ATTACHING PARTS)	3	
	MS20365-1032	. . . NUT	12	
	AN960D10	. . . WASHER	12	
-36	AN3-5A	. . . BOLT	12	
		-----*-----		
-37	AN200K3	. . . BEARING	1	
-38	2126540	. . . TRACK, Elevator trim tab (18355) (ATTACHING PARTS)	1	
	MS20365-1032	. . . NUT	4	
	AN960D10	. . . WASHER	4	
	AN3-4A	. . . BOLT	4	
		-----*-----		
-39	5122110-4	. . . SEAL (18355)	1	
-40	5122110-6	. . . SEAL (18355)	1	
-41	5122110-14	. . . STRIP SEAL (18355)	1	
	26-1027-1	. . . STABILIZER INSTL, Vertical	1	
	26-1027-2	. . . STABILIZER ASSY, Vertical (ATTACHING PARTS)	1	
		-----*-----		
-42	AN6-15A	. . . BOLT	1	
	AN960-616	. . . WASHER	1	
	12B126	. . . NUT (72962)	4	
	NAS143-12	. . . WASHER	4	

FIG. AND INDEX NO.	PART NUMBER	DESCRIPTION	UNITS PER ASSY	USABLE ON CODE
117-	NAS143-12C	WASHER	4	
-43	NAS152DH54	BOLT	2	
-44	26-0116	BOLT, Internal wrenching (altered from NAS152DH56)	2	
	MS20365-428	NUT	2	
	AN960-416L	WASHER	2	
-45	AN4-12A	BOLT	2	
	MS20365-524	NUT	2	
	AN960-516L	WASHER	2	
-46	AN5-12A	BOLT	2	
	4202903	HINGE ASSY, Rudder (18355) (ATTACHING PARTS)	1	
	MS20365-720	NUT	2	
	AN960-716	WASHER	2	
-47	AN7-27A	BOLT	2	
	4202907	BRACKET ASSY, Rudder hinge (18355)	1	
-48	AN207D8	BEARING	1	
-49	26-0125-3	BRACKET, Rudder hinge	2	
-50	26-0125-4	BRACKET, Rudder hinge	2	
-51	26-0110-2	FITTING, Booster tab mechanism	1	
-52	4202905	HINGE ASSY, Rudder (18355) (ATTACHING PARTS)	1	
	MS20365-524	NUT	2	
	AN960-516	WASHER	2	
-53	AN5-23A	BOLT	2	
	4202908	BRACKET ASSY, Rudder hinge (18355)	1	
-54	AN207D5	BEARING	1	
-55	26-0126-3	BRACKET, Rudder hinge	2	
-56	26-4000-2	COVER, Glide slope antenna	1	
-57	5194624	ELEVATOR SEAL INSTL (18355)	NP	
	5194624-14	SEAL ASSY, Elevator inboard LH (18355)	1	
	5194624-15	SEAL ASSY, Elevator inboard RH (18355) (ATTACHING PARTS)	1	
-58	1029657P10-10	SCREW, Recessed oval binding head (18355)	12	
-59	1029657P10-14	SCREW, Recessed oval binding head (18355)	56	
	5194624-4	SEAL (18355)	2	
-60	5194624-2	CLIP, LH (18355)	1	
	5194624-3	CLIP, RH (18355)	1	
-61	5194624-6	CLIP, LH (18355)	1	
	5194624-7	CLIP, RH (18355)	1	
	5194624-16	SEAL ASSY, Elevator outboard LH (18355)	1	
	5194624-17	SEAL ASSY, Elevator outboard RH (18355) (ATTACHING PARTS)	1	
-62	1029657P10-14	SCREW, Recessed oval binding head (18355)	92	
-63	1029657P10-10	SCREW, Recessed oval binding head (18355)	6	
	5194624-10	SEAL (18355)	2	
-64	5194624-8	CLIP LH (18355)	1	
	5194624-9	CLIP RH (18355)	1	
-65	5194624-12	CLIP LH (18355)	1	
	5194624-13	CLIP RH (18355)	1	
	5194623	RUDDER SEAL INSTL (18355)	NP	
	5194623-14	SEAL ASSY, Rudder lower (18355) (ATTACHING PARTS)	1	
-66	NAS221-19	SCREW	25	
-67	1029657P10-10	SCREW, Recessed oval binding head (18355)	2	
-68	1029657P10-20	SCREW, Recessed oval binding head (18355)	14	
	5194623-10	SEAL (18355)	1	
-69	5194623-4	CLIP (18355)	1	
-70	5194623-2	CLIP (18355)	1	

Section II
Group Assembly Parts List

T.O. 1B-26K-4

FIG. AND INDEX NO.	PART NUMBER	DESCRIPTION 1 2 3 4 5 6 7	UNITS PER ASSY	USABLE ON CODE
117-	5194623-16	. . SEAL ASSY, Rudder upper (18355) (ATTACHING PARTS)	1	
-74	NAS221-19	. . SCREW	33	
-75	1029657P10-10	. . SCREW, Recessed oval binding head (18355) -----*-----	2	
-76	5194623-12	. . SEAL (18355)	1	
-77	5194623-6	. . CLIP (18355)	1	
-78	5194623-8	. . CLIP (18355)	1	
-79	26-1154-1	. RUDDER AND TAB INSTL (for details see fig. 118)	1	

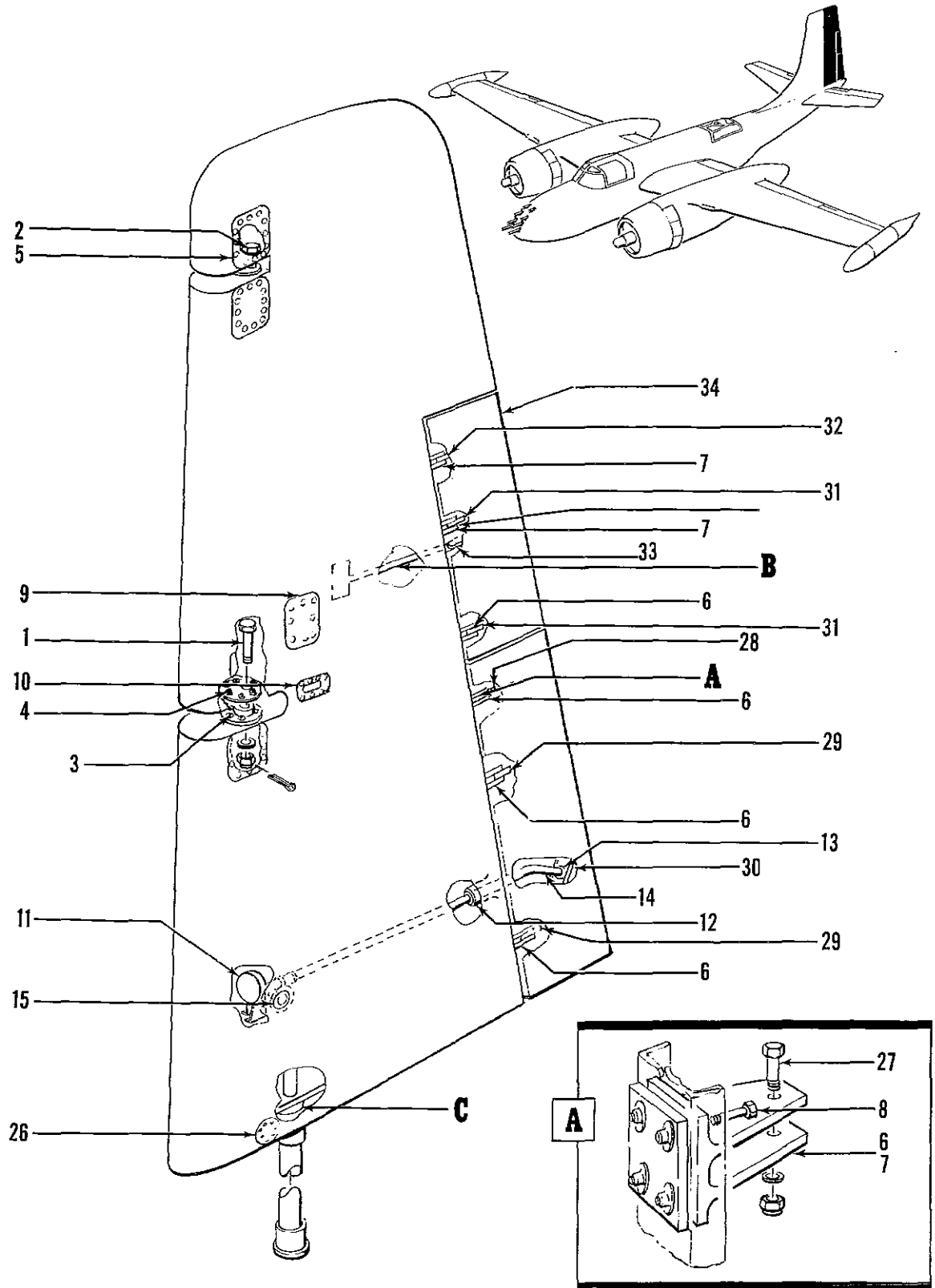
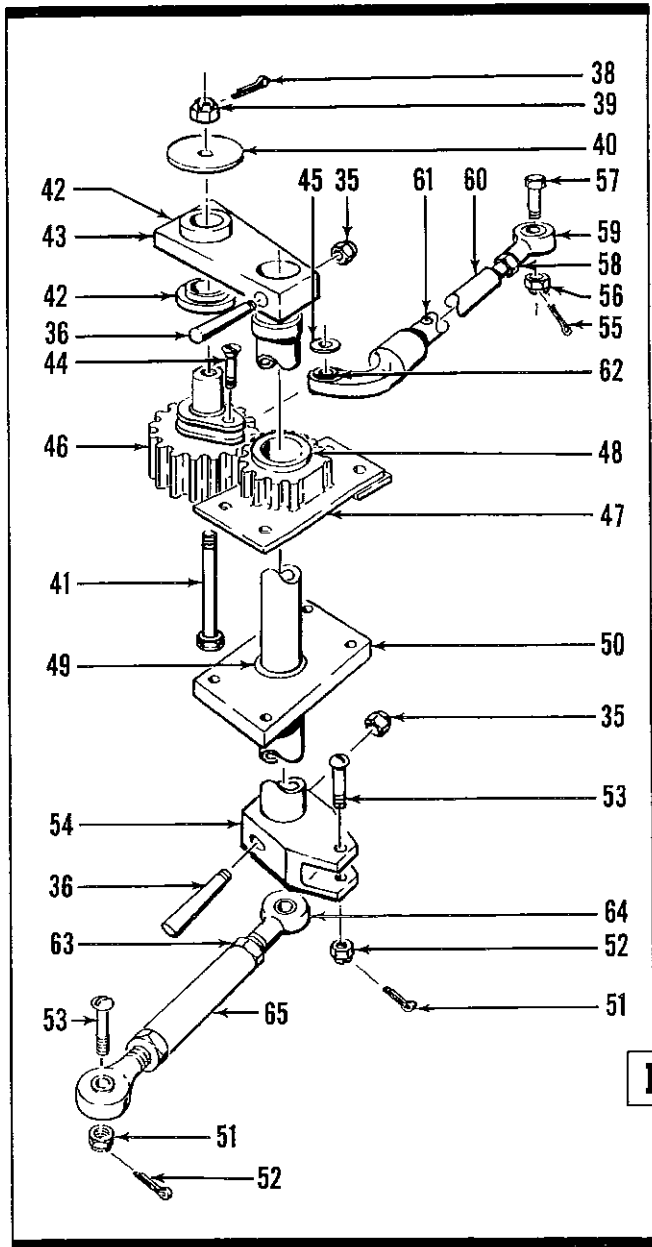
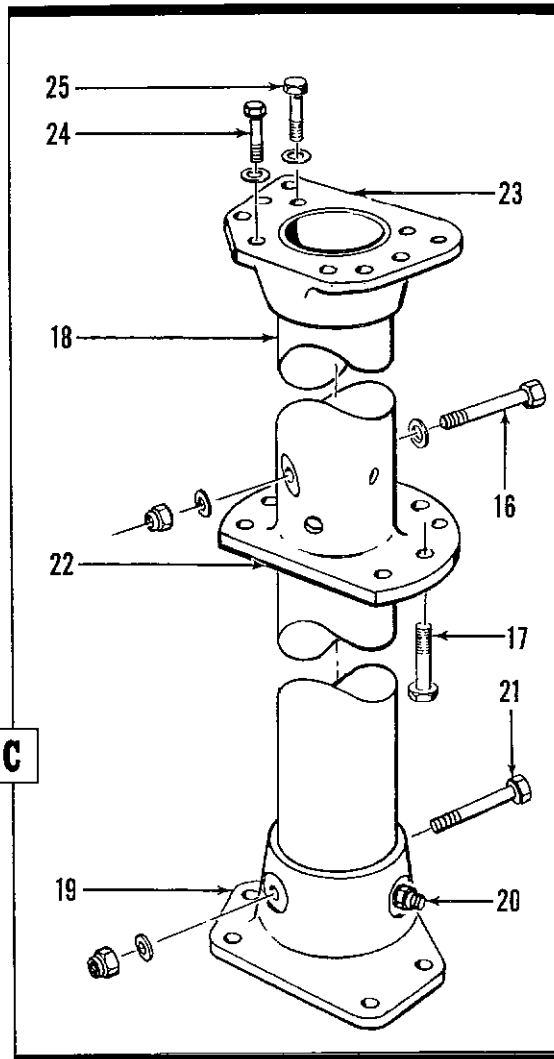


Figure 118. Rudder and Tab Installation (Sheet 1 of 2)



B



C

Figure 118. Rudder and Tab Installation (Sheet 2 of 2)

FIG. AND INDEX NO.	PART NUMBER	DESCRIPTION	UNITS PER ASSY	USABLE ON CODE
118-	26-1154-1	RUDDER AND TAB INSTL (For NHA see fig. 117)	REF	
	26-1104-1	. RUDDER AND TAB ASSY (ATTACHING PARTS)	1	
	MS24665-3-3	. PIN	1	
	AN310-8	. NUT	1	
	AN960D816	. WASHER	1	
-1	AN8-25	. BOLT	1	
	MS24665-2-2	. PIN	1	
	AN310-5	. NUT	1	
	AN960D516	. WASHER	1	
-2	AN5-20	. BOLT	1	
		-----*		
-3	26-0112-2	. . BEARING MOUNT ASSY	1	
-4	26-0112-3	. . BEARING MOUNT ASSY (ATTACHING PARTS)	1	
	MS20365-1032	. . NUT	12	
	AN960D10	. . WASHER	12	
	NAS221-10	. . SCREW	12	
		-----*		
	26-0112-6	. . . BUSHING	1	
	26-0112-4	. . . PLATE, Used on 26-0112-2	1	
	26-0112-5	. . . PLATE, Used on 26-0112-3	1	
-5	2129248	. . DOOR (18355) (ATTACHING PARTS)	4	
	AN509-10R7	. . SCREW	48	
		-----*		
-6	2126747-6	. . BRACKET, Rudder tab hinge (18355)	4	
-7	26-1104-79	. . BRACKET, Rudder tab hinge (ATTACHING PARTS)	2	
-8	AN3114	. . BOLT	24	
		-----*		
-9	26-1104-57	. . COVER PLATE (ATTACHING PARTS)	1	
	AN509-8R7	. . SCREW	10	
		-----*		
-10	26-1104-34	. . COVER PLATE (ATTACHING PARTS)	1	
	AN509-8R7	. . SCREW	18	
		-----*		
-11	5153655	. . TRIM TAB MECHANISM, Instl, rudder (18355) (for details see fig. 120)	1	
	4123683	. . HOUSING ASSY, Rudder torque tube bearing (18355)	1	
	A1317	. . . BEARING, Sleeve (86174)	1	
-12	4123683-2	. . HOUSING (18355)	1	
-13	B39X	. . BEARING (86174)	1	
-14	26-0102	. . TORQUE TUBE, Rudder trim tab extended	1	
-15	5122122-148	. . COVER (18355) (ATTACHING PARTS)	1	
	AN509-10R7	. . SCREW	3	
		-----*		
	3126961	. . TORQUE TUBE ASSY (18355) (ATTACHING PARTS)	1	
	MS20365-624	. . NUT	3	
	AN960-6	. . WASHER	6	
-16	AN5-7A	. . BOLT	3	
-17	AN176-31A	. . BOLT	7	
		-----*		
-18	3126961-2	. . TUBE, Rudder torque (18355)	1	
-19	2129234	. . FITTING, Rudder torque tube control horn (18355) (ATTACHING PARTS)	1	
	AN320-5	. . NUT	3	
	AN960D516	. . WASHER	3	
-20	AN175C27	. . BOLT	2	
-21	AN175C26	. . BOLT	1	
		-----*		

Section II
Group Assembly Parts List

T.O. 1B-26K-4

FIG. AND INDEX NO.	PART NUMBER	DESCRIPTION							UNITS PER ASSY	USABLE ON CODE
		1	2	3	4	5	6	7		
118-22	4129413	FITTING, Rudder torque tube attaching (18355)			1	
-23	2120237	FITTING, Rudder torque tube attaching (18355) (ATTACHING PARTS)			1	
-24	AN3H6	BOLT			2	
-25	AN3H7	BOLT			2	
	AN960D10	WASHER			4	
						-----*				
-26	26-1104-62	.	.	COVER PLATE				2		
				(ATTACHING PARTS)						
	AN509-8R7	.	.	SCREW				24		
				-----*						
	26-1104-4	.	.	TABY ASSY, Rudder (altered from 5122129 (18355))				1		
				(ATTACHING PARTS)						
	AN320-3	.	.	NUT				3		
	AN960D10	.	.	WASHER				3		
-27	AN3-7	.	.	BOLT				3		
				-----*						
-28	2126744-6	.	.	BRACKET ASSY, Rudder tab hinge (18355)				1		
-29	2126744-10	.	.	BRACKET ASSY, Rudder tab hinge (18355)				2		
				(ATTACHING PARTS)						
	MS20365-1032	.	.	NUT				12		
	AN960D10	.	.	WASHER				12		
	AN3-5A	.	.	BOLT				12		
				-----*						
	2126744-12	.	.	BRACKET (Used on 2126744-10) (18355)				2		
	2126744-8	.	.	BRACKET (Used on 2126744-6) (18355)				1		
	AN300K3	.	.	BEARING				1		
-30	2126534	.	.	TRACKET, Rudder trim tab (18355)				1		
				(ATTACHING PARTS)						
	MS20365-1032	.	.	NUT				4		
	AN960D10	.	.	WASHER				4		
	AN3-4A	.	.	BOLT				4		
				-----*						
	26-0103	.	.	BOOSTER TAB, Rudder				1		
-31	2126744-10	.	.	BRACKET ASSY (18355)				2		
-32	2126744-6	.	.	BRACKET ASSY (18355)				1		
				(ATTACHING PARTS)						
	AN3H4A	.	.	BOLT				12		
	AN960C10L	.	.	WASHER				12		
				-----*						
	AN300KP3	.	.	BEARING				1		
	2126744-12	.	.	BRACKET, (Used on 2126744-10) (18355)				1		
	2126744-8	.	.	BRACKET, (Used on 2126744-6) (18355)				1		
-33	699	.	.	HORN ASSEMBLY				1		
				(ATTACHING PARTS)						
	MS20365-832	.	.	NUT				12		
	AN960-8	.	.	WASHER				12		
	NAS220-7	.	.	SCREW				12		
				-----*						
-34	26-0103-1	.	.	TAB ASSY				1		
	26-0121	.	.	BOOSTER TAB MECHANISM INSTL, Rudder				NP		
-35	MS20365-1032	.	.	NUT				2		
-36	AN386-1-8A	.	.	PIN				2		
-37	26-0121-4	.	.	TORQUE TUBE				1		
-38	MS24665-134	.	.	PIN				1		
-39	AN310-4	.	.	NUT				1		
-40	26-0121-8	.	.	WASHER				1		
-41	AN4-35	.	.	BOLT				1		
	26-0107-1	.	.	CRANK ASSY				1		
-42	26-0108-4	.	.	BEARING (Altered from FB1216-6 (71041))				2		
-43	26-0107-1	.	.	CRANK				1		
-44	26-0121-5	.	.	SCREW				1		
-45	AN960-102	.	.	WASHER				AR		
-46	26-0105-1	.	.	GEAR ASSY				1		
-47	26-0104-1	.	.	GEAR ASSY				1		
-48	26-0108-2	.	.	BEARING (Altered from FB1620-10 (71041))				1		

FIG. AND INDEX NO.	PART NUMBER	DESCRIPTION	UNITS PER ASSY	USABLE ON CODE
118-	26-0109-1	. . . BEARING ASSY (ATTACHING PARTS)	1	
	AN509-10R7	. . . SCREW -----*	4	
-49	26-0108-3	. . . BEARING, Sleeve (altered from FB1620-10 (71041)).	1	
-50	26-0109-2	. . . PLATE	1	
-51	MS24665-134	. . . PIN	2	
-52	AN320-3	. . . NUT	2	
-53	AN23-16	. . . SCREW	2	
-54	26-0106-1	. . . CRANK	1	
-55	MS24665-134	. . . PIN	1	
-56	AN320-4	. . . NUT	1	
-57	AN24-16	. . . SCREW	1	
	26-1207-1	. . . ROD ASSY	1	
-58	AN316-5R	. . . NUT	1	
-59	AN943-4	. . . BEARING	1	
-60	26-1207-3	. . . ARM	1	
-61	AN504C6R5	. . . SCREW	2	
-62	26-1207-7	. . . BUSHING	2	
	26-0121-9	. . . LINK ASSY	1	
-63	AN316-5	. . . NUT	2	
-64	AN951REB3N2	. . . ROD END	2	
-65	26-0121-10	. . . ROD (Altered from AN5)	1	

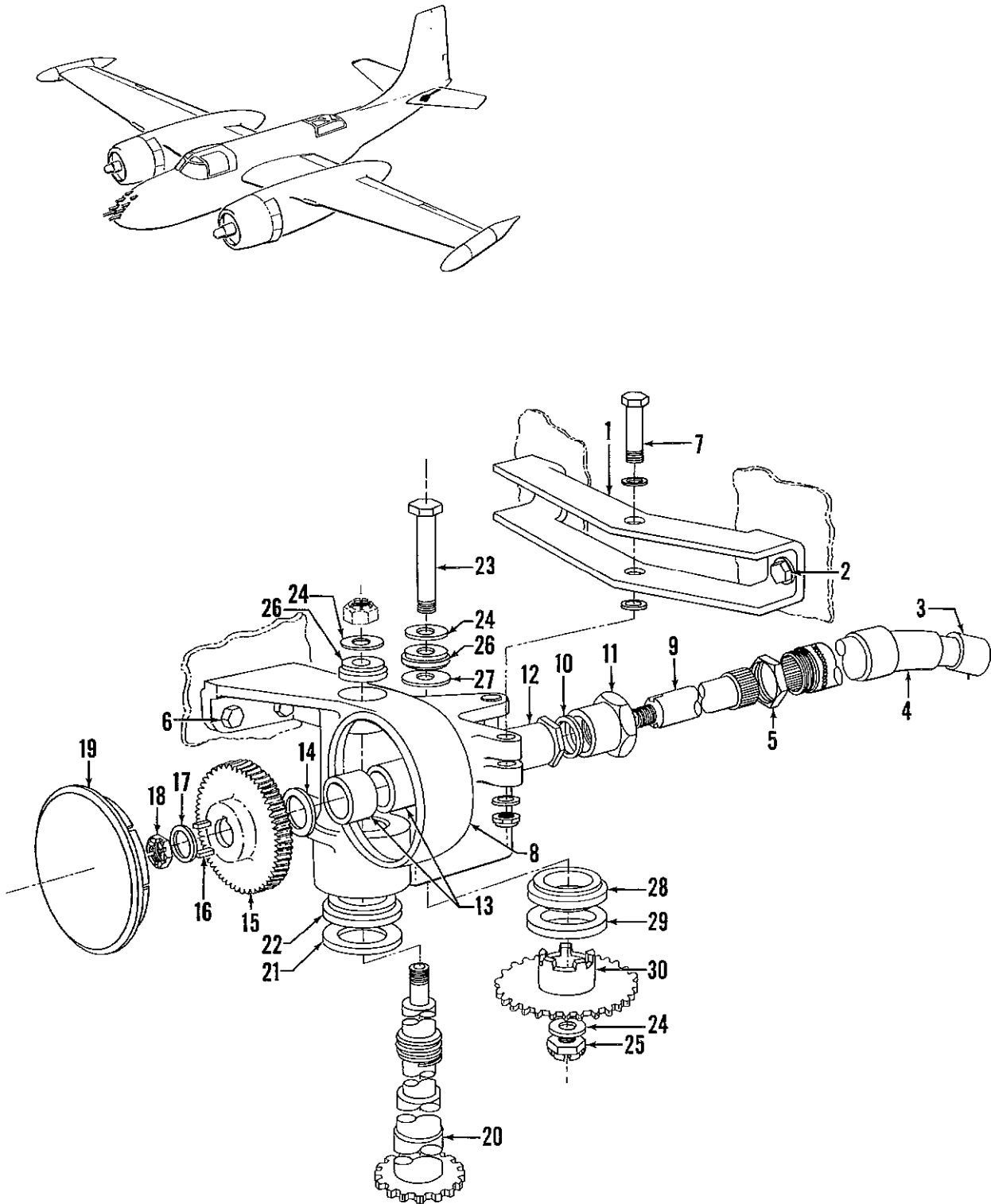


Figure 119. LH and RH Elevator Trim Tab Mechanism Installations

FIG. AND INDEX NO.	PART NUMBER	DESCRIPTION 1 2 3 4 5 6 7	UNITS PER ASSY	USABLE ON CODE
119-	5153654	TRIM TAB MECHANISM INSTL, Elevator LH (18355) (for NHA see fig. 117)	REF	
	5153654-1	TRIM TAB MECHANISM INSTL, Elevator RH (18355) (for NHA see fig. 117)	REF	
-1	2277224	. BRACE, Elevator trim tab gear box assy LH (18355)	1	
	2277224-1	. BRACE, Elevator trim tab gear box assy RH (18355) (ATTACHING PARTS)	1	
	MS20365-1032	. NUT	2	
-2	AN960-10L	. WASHER	4	
	AN3-7A	. BOLT	2	
	1125852	. BEARING ASSY, Elevator trim tab track (18355)	1	
-3	B47X	. BEARING (60380)	1	
-4	2126539	. TUBE ASSY, Elevator trim tab torque (18355)	1	
-5	1127702	. NUT, Trim tab coupling lock (18355)	1	
	5123936	. BOX ASSY, Elevator trim tab gear LH (18355)	1	
	5123936-1	. BOX ASSY, Elevator trim tab gear RH (18355) (ATTACHING PARTS)	1	
	MS20365-1032	. NUT	3	
-6	AN960D10	. WASHER	3	
	AN3-6A	. BOLT	3	
	MS20365-1032	. NUT	1	
	AN960D10	. WASHER	1	
-7	AN960-10L	. WASHER	2	
	AN3-21A	. BOLT	1	
-8	5123937	. HOUSING, Elevator trim tab mechanism LH (18355)	1	
	5123937-1	. HOUSING, Elevator trim tab mechanism RH (18355)	1	
-9	1125842	. SHAFT, Trim tab worm gear (18355)	1	
-10	T706	. WASHER, Oilite (70417)	1	
-11	1127701	. NUT, Trim tab adjustable coupling (18355)	1	
	1125844	. BEARING ASSY, Trim tab worm gear eccentric (18355)	1	
-12	1125844-2	. SLEEVE, Trim tab worm gear eccentric (18355)	1	
-13	A672-2	. BEARING, Oilite (70417)	2	
-14	T1001	. WASHER, Oilite (70417)	1	
-15	2126535	. GEAR, Elevator trim tab worm (18355)	1	
-16	1127698	. KEY, Trim tab worm gear (18355)	2	
-17	124682-4S11-032	. WASHER (18355)	1	
-18	AN320-4	. NUT	1	
-19	51056	. BUTTON, Dot plug (61864)	1	
-20	2126536	. WORM, Elevator trim tab (18355)	1	
-21	143908-021R100-025	. WASHER (18355)	1	
-22	A538	. BEARING (21335)	1	
-23	AN4-33	. BOLT	1	
-24	AN960-416	. WASHER	3	
-25	AN310-4	. NUT	1	
-26	AN201K4A	. BEARING	2	
-27	2033900-7S065-003	. SPACER, Chromium molybdenum steel (18355)	1	
-28	A539	. BEARING (21335)	1	
-29	2110163A012-103-002	. WASHER, Grey felt (18355)	1	
-30	2126537	. GEAR ASSY, Elevator trim tab reduction (18355)	1	

FIG. AND INDEX NO.	PART NUMBER	DESCRIPTION 1 2 3 4 5 6 7	UNITS PER ASSY	USABLE ON CODE
120-	5153655	TRIM TAB MECHANISM INSTL, Rudder (18355) (for NHA see fig. 118)	REF	
-1	26-0102	. TUBE ASSY, Rudder trim tab extended (altered from 2126533 (18355))	1	
-2	1127702	. NUT, Trim tab coupling lock (18355)	1	
	1125848	. BEARING ASSY, Rudder trim tab mechanism (18355)	1	
-3	B59X	. BEARING (60380)	1	
	5123933	. BOX ASSY, Rudder trim tab gear (18355) (ATTACHING PARTS)	1	
-4	AN3H6	. BOLT	3	
	AN960D10	. WASHER	3	
-5	AN3-14A	. BOLT	1	

Section II
Group Assembly Parts List

T.O. 1B-26K-4

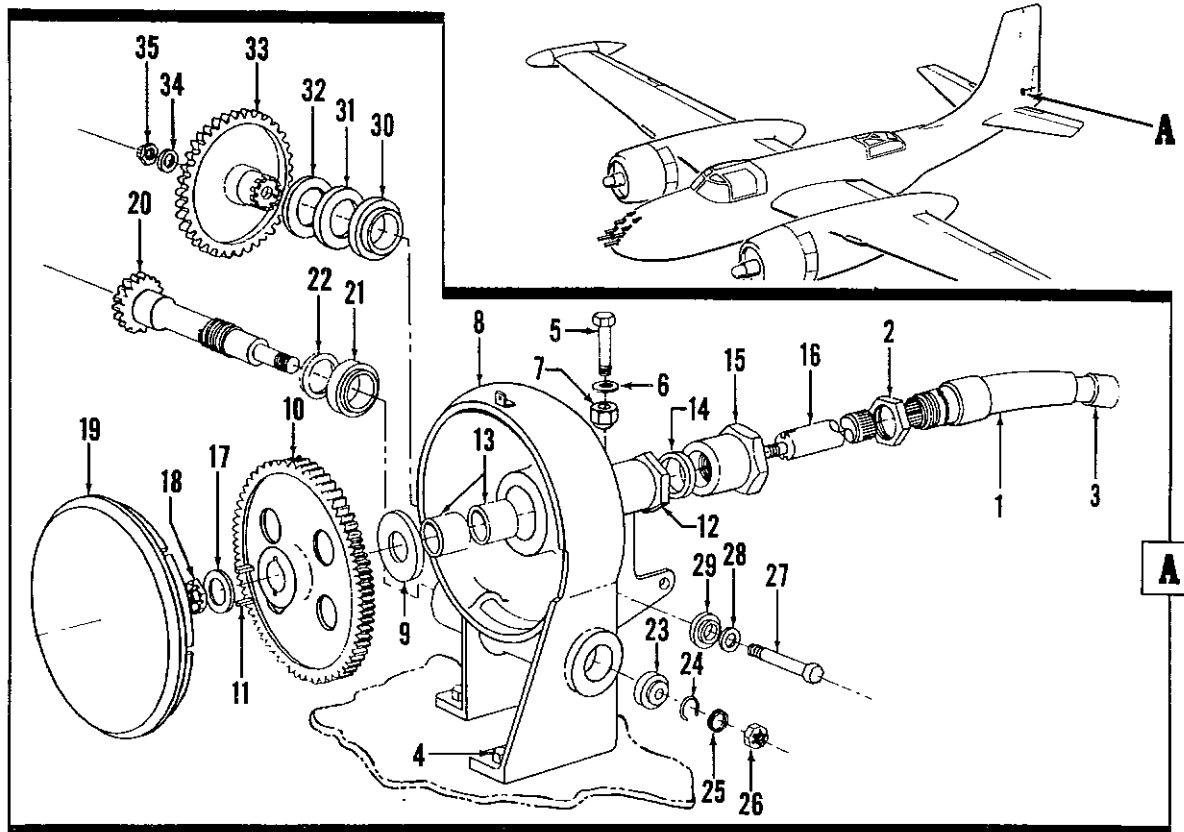


Figure 120. Rudder Trim Tab Mechanism Installation

FIG. AND INDEX NO.	PART NUMBER	DESCRIPTION	UNITS PER ASSY							USABLE ON CODE	
			1	2	3	4	5	6	7		
120-6	AN960D10	WASHER								1	
-7	MS20365-1032	NUT								1	
-8	5123934	HOUSING RUDDER TRIM TAB MECHANISM (18355)								1	
-9	T1001	WASHER, Oilite (70417)								1	
-10	2126523	GEAR, Rudder trim tab worm (18355)								1	
-11	1127698	KEY, Trim tab worm gear (18355)								2	
	1125844	BEARING ASSY, Trim tab worm gear eccentric (18355)								1	
-12	1125844-2	SLEEVE, Trim tab worm gear eccentric (18355)								1	
-13	A672-2	BEARING, Oilite (70417)								2	
-14	T706	WASHER, Oilite (70417)								1	
-15	1127701	NUT, Trim tab adjustable coupling, (18355)								1	
-16	1125842	SHAFT TRIM TAB WORM GEAR (18355)								1	
-17	124682-4S11-032	WASHER								1	
-18	AN320-4	NUT								1	
-19	2126529	COVER, Rudder trim tab mechanism (18355)								1	
-20	2126528	WORM, Rudder trim tab (18355)								1	
-21	A538	BEARING (21335)								1	
-22	1125973	WASHER (18355)								1	
-23	AN207D3	BEARING								1	
-24	2130661-025C	RING, Internal locking (18355)								1	
-25	AN960-10	WASHER								1	
-26	AN310-3	NUT								1	
-27	AN4-40	BOLT								1	
-28	AN960-416	WASHER								1	
-29	AN201K4A	BEARING								1	
-30	A539	BEARING (21335)								1	
-31	2110163A012-103-002	WASHER, Gray felt (18355)								1	
-32	143908-024R106-035	WASHER (18355)								1	
-33	2126530	GEAR ASSY, Rudder trim tab reduction (18355)								1	
-34	AN960D416	WASHER								1	
-35	AN310-4	NUT								1	

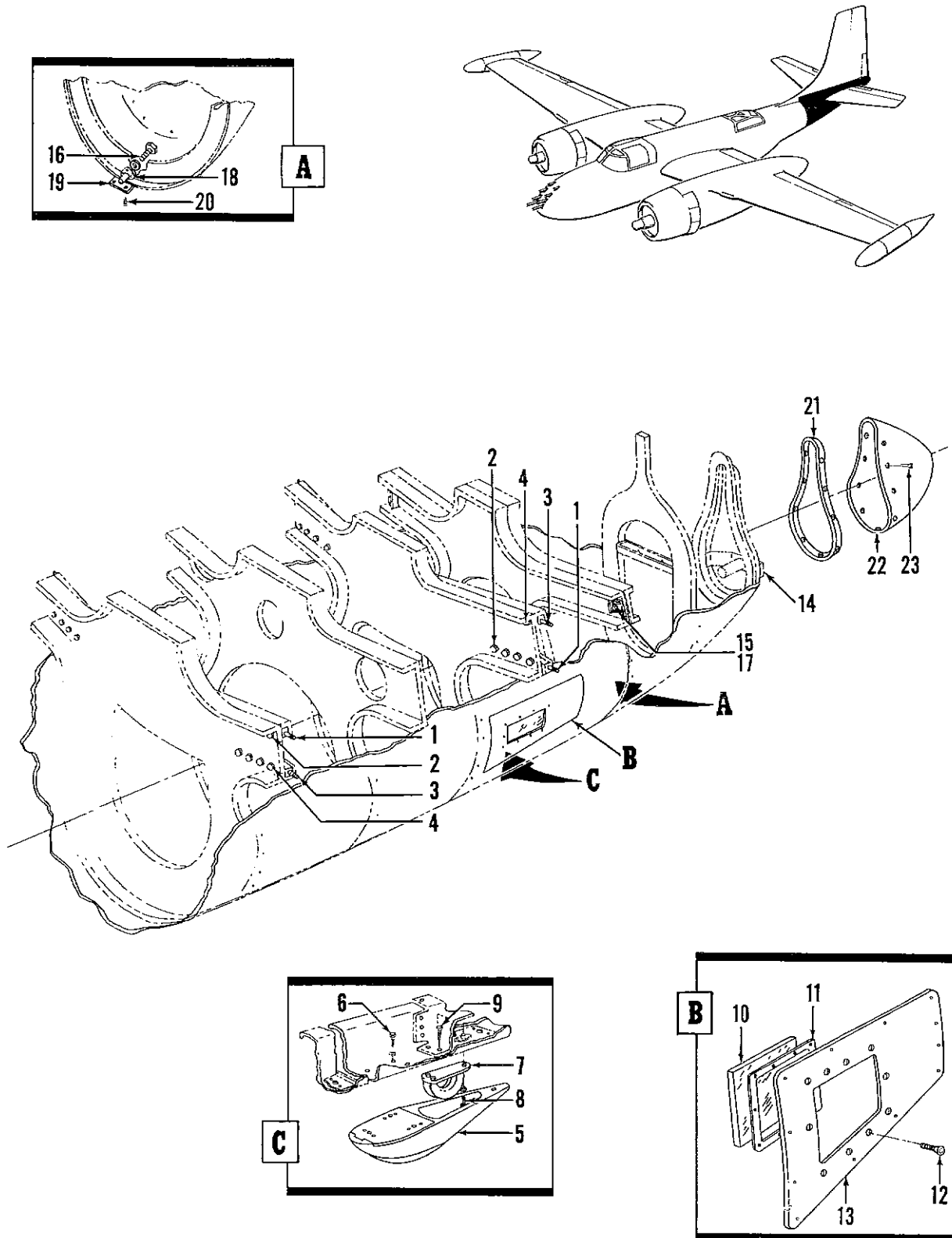


Figure 121. Fuselage Aft Section, Tail Cone and Structure Assembly

Section II
Group Assembly Parts List

T.O. 1B-26K-4

FIG. AND INDEX NO.	PART NUMBER	DESCRIPTION	UNITS PER ASSY	USABLE ON CODE
121-	5153178	FUSELAGE AFT SECTION, TAIL CONE AND STRUCTURE ASSEMBLY STRUCTURE ASSY, Fuselage aft section (18355) (for NHA see fig. 4)	REF	
	5157793	FRAME ASSY, Fuselage sta 447 (18355)	1	
	5157795	FRAME ASSY, Fuselage sta 474 (18355)	1	
-1	2157787	STUD, Horizontal stabilizer attaching (sta 447 upper and sta 474 lower (18355)) (ATTACHING PARTS)	2	
	MS20365-624	NUT	4	
	AN960D616	WASHER	4	
-2	AN173-26	BOLT	4	
		-----*		
-3	2157788	STUD, Horizontal stabilizer sheer attaching (sta 447 lower and sta 474 upper) (18355) (ATTACHING PARTS)	2	
	MS20365-624	NUT	4	
	AN960D616	WASHER	4	
-4	AN173-26	BOLT	4	
		-----*		
	5157794	FRAME ASSY, Fuselage sta 460 (18355)	1	
	5157844	FRAME ASSY, Fuselage sta 497 (18355)	1	
	5127942	TAIL SKID INSTL (18355)	NP	
-5	5157457	SKID ASSY, Tail (18355) (ATTACHING PARTS)	1	
		-----*		
-6	AN4-6A	BOLT	3	
	AN960-416	WASHER	3	
		-----*		
-7	2155222	FITTING, Fuselage tail tie down (18355) (ATTACHING PARTS)	1	
		-----*		
-8	AN4-10A	BOLT	1	
	AN960-416	WASHER	1	
	AN310-5	NUT	2	
	AN960-516	WASHER	2	
-9	AN5-7	BOLT	2	
		-----*		
	5153179	PLATING INSTL, Fuselage aft section (18355)	NP	
	4204131	DOOR ASSY, Inspection LH (18355)	1	
	4204131-1	DOOR ASSY, Inspection RH (18355)	1	
	2204034	WINDOW, Fuselage aft section inspection door (18355)	1	
-10	2204135	GASKET, Fuselage aft section inspection window (18355) (ATTACHING PARTS)	1	
		-----*		
-12	A1181M1	NUT, Speed (78553)	10	
	1114189Z6-8	SCREW, Sheet metal 100° recessed flathead (18355)	10	
		-----*		
-13	5204033	DOOR, Fuselage aft section inspection LH (18355)	1	
	5204033-1	DOOR, Fuselage aft section inspection RH (18355)	1	
-14	4123619	BRACKET, Tail cone position light (18355)	1	
	26-1001	TAIL CONE INSTL, Large rudder (for NHA see fig. 4)	REF	
	26-1001-1	CONE ASSY, Fuselage tail (ATTACHING PARTS)	1	
		-----*		
-15	AN3-23A	BOLT	3	
-16	AN3-21A	BOLT	1	
	AN960D10	WASHER	4	
		-----*		
-17	2126787-4	SPACER, Tail cone attachment (18355)	3	
-18	1127766	SPACER, Tail cone lower (18355)	1	
-19	5122173-50	COVER ASSY, Fuselage tail cone access lower (18355) (ATTACHING PARTS)	1	
		-----*		
	A6162-82Z	NUT, Speed (78553)	2	
-20	1114189-8-6	SCREW, Sheet metal 100° recessed flathead (18355)	2	
		-----*		
-21	5122173-12	SEAL, Fuselage tail cone shield rubber (18355)	1	
-22	26-1001-17	CONE, Tail (altered from 5122173 (18355)) (ATTACHING PARTS)	1	
		-----*		
	A1789-8Z1	NUT, Speed (78553)	11	
	A3135	WASHER (78553)	11	
-23	1114189Z8-10	SCREW, Sheet metal 100° recessed flathead (18355)	11	

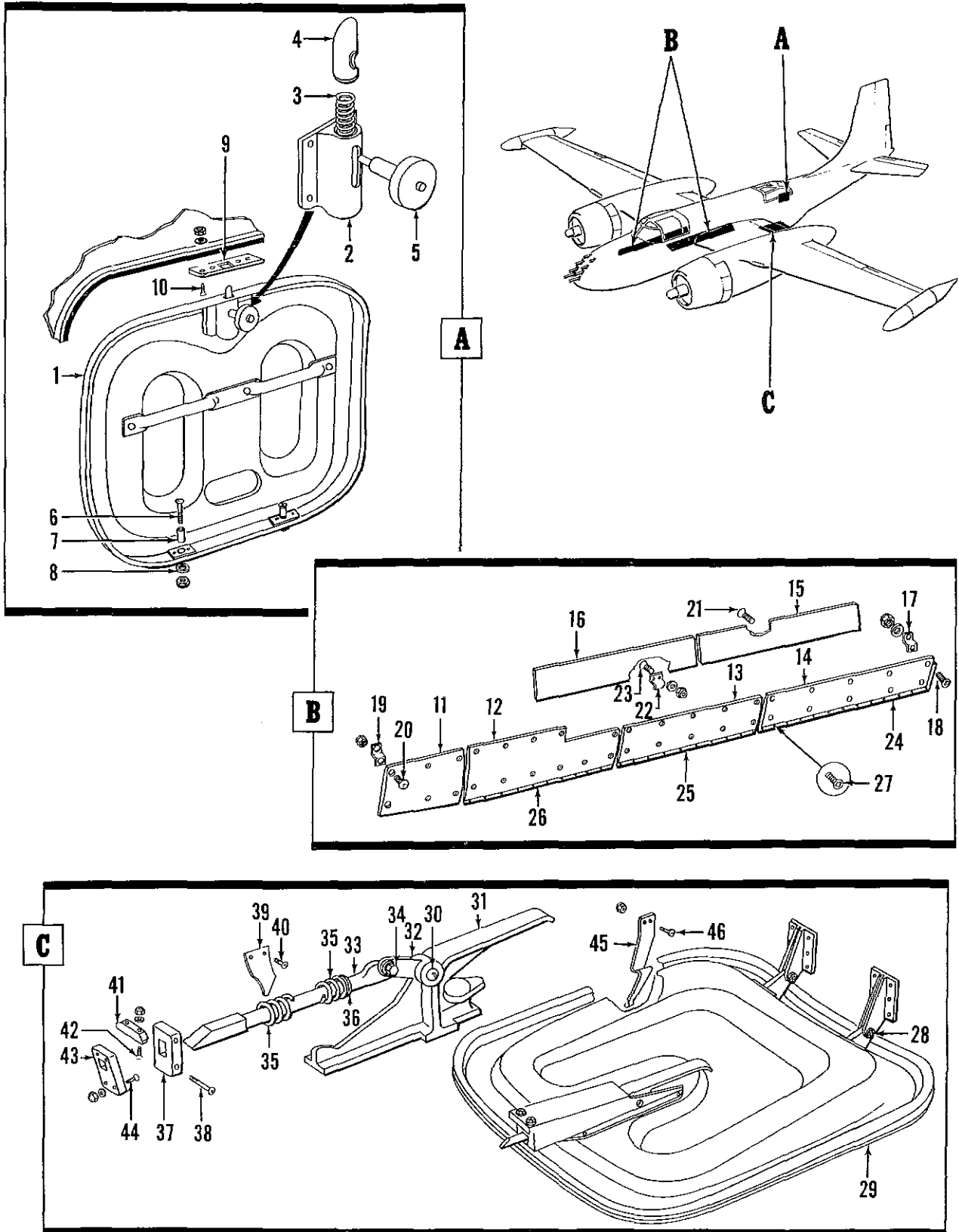


Figure 122. Fuselage Tunnel and Camera Access Doors Installations

Section II
Group Assembly Parts List

T.O. 1B-26K-4

FIG. AND INDEX NO.	PART NUMBER	DESCRIPTION	UNITS PER ASSY	USABLE ON CODE
122-		FUSELAGE TUNNEL AND CAMERA ACCESS DOORS INSTALLATIONS		
	5122150	DOOR INSTL, Camera (18355) (for NHA see fig. 4)	REF	
	5122151	DOOR ASSY, Camera, LH (18355)	1	
	5122151-1	DOOR ASSY, Camera, RH (18355)	1	
-1	5122151-10	DOOR ASSY, Camera, LH (18355)	1	
	1192273	LATCH ASSY, Camera door (18355)	1	
-2	1192272	BARREL, Camera door latch (18355)	1	
-3	1192270	SPRING, Camera door latch (18355)	1	
-4	1192271	PLUNGER, Camera door latch (18355)	1	
-5	1192280	KNOB ASSY, Camera door latch (18355)	1	
-6	AN520-10-18	SCREW	2	
-7	5122150-6	SPACER, Camera door (18355)	2	
-8	5122150-4	SPACER, Camera door (18355)	2	
-9	1151045	PLATE, Camera escutcheon	1	
		(ATTACHING PARTS)		
	MS20365-1032	NUT	4	
	AN960D10	WASHER	4	
-10	AN507-1032-6	SCREW	4	
		-----*		
	5153162	DOOR INSTL, Fuselage, outside tunnel (18355) (for NHA see fig. 4)	REF	
-11	5153162-8	DOOR, Fuselage, outside tunnel, LH (18355)	1	
-12	5153162-6	DOOR, Fuselage, outside tunnel, LH (18355)	1	
-13	5153162-4	DOOR, Fuselage, outside tunnel, LH (18355)	1	
-14	5153162-2	DOOR, Fuselage, outside tunnel, LH (18355)	1	
-15	5153162-10	DOOR, Fuselage, outside tunnel, RH (18355)	1	
-16	5153162-12	DOOR, Fuselage, outside tunnel, RH (18355)	1	
		(ATTACHING PARTS)		
	MS20365-428	NUT	13	
	AN960D416	WASHER	13	
	1193311	SPACER, Outside tunnel door attaching (18355)	17	
	1029421-416-14	SCREW, Flathead, 100° recessed (18355)	18	
	AN509-416R37	SCREW	17	
		-----*		
-17	5153162-54	CLIP, Fuselage, outside tunnel door attaching (18355)	11	
		(ATTACHING PARTS)		
	MS20365-832	NUT	2	
	AN960D8	WASHER	2	
-18	AN515-8R10	SCREW	2	
		-----*		
-19	5153162-50	CLIP, Fuselage, outside tunnel door attaching (18355)	7	
		(ATTACHING PARTS)		
	MS20365-832	NUT	2	
-20	AN515-8R8	SCREW	2	
		-----*		
-21	1029421-10-8	SCREW, Flathead, 100° recessed (18355)	40	
-22	1193269	CLIP, Outside tunnel door attaching (18355)	20	
		(ATTACHING PARTS)		
	MS20365-1032	NUT	2	
	MS20002-4C	WASHER	2	
-23	1029421-10-6	SCREW, Flathead, 100° recessed (18355)	2	
		-----*		
-24	5153162-42	FILLET (18355)	1	
-25	5153162-44	FILLET (18355)	1	
-26	5153162-46	FILLET (18355)	1	
		(ATTACHING PARTS)		
-27	1114189Z8-16	SCREW, Flathead, 100° recessed, sheet metal (18355)	34	
		-----*		
	5128437	DOOR INSTL, Fuselage access, aft (18355) (for NHA see fig. 4)	REF	
	5128444	DOOR ASSY, Fuselage access, aft (18355)	1	
		(ATTACHING PARTS)		
	AN320-3	NUT	2	
	AN960D10L	WASHER	4	
	1026614-3-012	SPACER, OD bearing (18355)	2	
-28	AN23-14	BOLT	2	
		-----*		

FIG. AND INDEX NO.	PART NUMBER	DESCRIPTION	UNITS PER ASSY	USABLE ON CODE
122-29	5128444-8	. . . DOOR ASSY, Fuselage access, aft (18355)	1	
	4128197	. . . HANDLE ASSY, Aft fuselage access door (18355). (ATTACHING PARTS)	1	
-30	MS20365-1032	. . . NUT.	1	
	AN960D10	. . . WASHER.	1	
	1026614-3-106	. . . SPACER, OD bearing (18355).	1	
	AN520-10-28	. . . SCREW.	1	
		-----*		
-31	4128197-2	. . . HANDLE (18355)	1	
-32	105A	. . . CYLINDER AND CAM ASSY (80477).	1	
-33	5128444-16	. . . TUBE ASSY, Aft fuselage access door handle (18355). (ATTACHING PARTS)	1	
	AN310-3	. . . NUT.	1	
-34	124682-3D6-032	. . . WASHER (18355)	1	
	1026614-3-006	. . . SPACER, OD bearing (18355).	1	
	AN3-6	. . . BOLT.	1	
		-----*		
-35	1128915	. . . SPRING, Aft fuselage access door (18355)	1	
-36	AN960C816	. . . WASHER.	1	
-37	1193858	. . . STOP, Aft fuselage access door (18355). (ATTACHING PARTS)	1	
	MS20365-1032	. . . NUT.	2	
-38	AN960D10	. . . WASHER.	2	
	AN520-10-28	. . . SCREW.	2	
		-----*		
-39	5128444-12	. . . STOP, Aft fuselage access door (18355). (ATTACHING PARTS)	1	
-40	AN520-10-10	. . . SCREW.	2	
-41	1193926	. . . FILLER, Aft fuselage access door (18355). (ATTACHING PARTS)	1	
	MS20365-1032	. . . NUT.	2	
-42	AN960D10	. . . WASHER.	2	
	AN507-1032-14	. . . SCREW.	2	
		-----*		
-43	1150420	. . . STOP, Aft fuselage access door (18355). (ATTACHING PARTS)	1	
-44	MS20365-1032	. . . NUT.	4	
	AN960D10	. . . WASHER.	4	
	1029421-10-20	. . . SCREW, Flathead, 100° recessed (18355).	4	
-45	2207973	. . . SPRING, Aft fuselage access door (18355) (ATTACHING PARTS)	1	
	MS20365-1032	. . . NUT.	2	
-46	AN526-1032-7	. . . SCREW.	2	
		-----*		

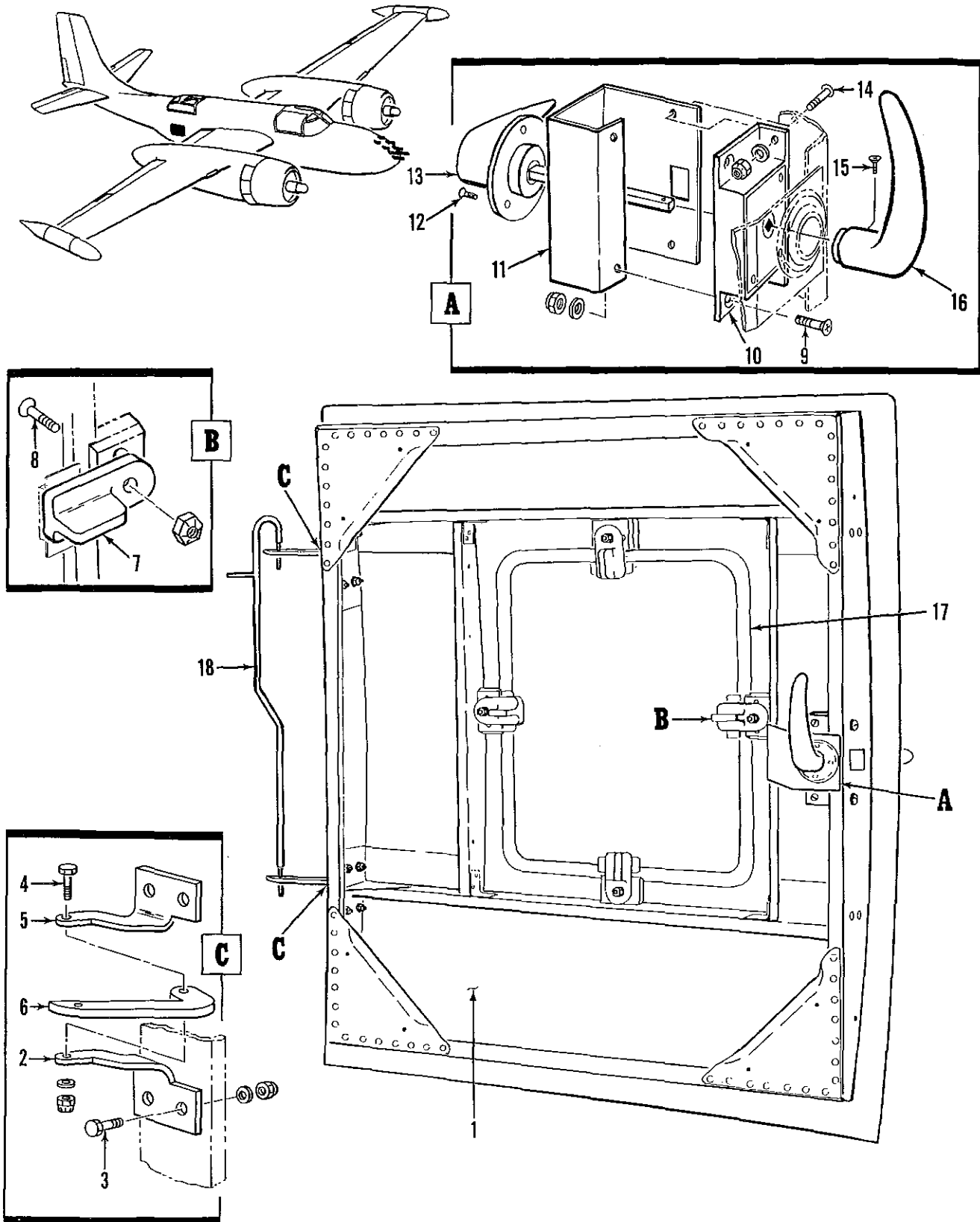


Figure 123. Aft Compartment Escape Hatch Assembly

FIG. AND INDEX NO.	PART NUMBER	DESCRIPTION	UNITS PER ASSY	USABLE ON CODE
124-1	540GE126	HATCH ASSY, Aft compartment escape (USAF) (for NHA see fig. 4)	REF	
-2	46B2455R	. HINGE HALF, Top lower (USAF)	1	
	46B2456R	. HINGE HALF, Bottom lower (USAF)	1	
	MS20365-1032	. NUT	8	
	AN960-10L	. WASHER	8	
-3	AN3-5A	. BOLT, Hinge attach	8	
	MS24665C2-3	. PIN	2	
	AN310D4	. NUT	2	
	AN960PD416L	. WASHER	2	
-4	AN4DD7	. BOLT, Link attach	2	
-5	46B255L	. HINGE HALF, Top upper (USAF)	1	
	46B256L	. HINGE HALF, Bottom upper (USAF)	1	
-6	46A2458	. LINK (USAF)	2	
-7	46A2461	. LATCH ASSY (USAF)	4	
	46A2462 SPACER (USAF)	4	
	AN960-10L WASHER	4	
	MS20365-1032 NUT	4	
-8	AN507DD1032R18 SCREW	4	
	MS20365-632 NUT	2	
	AN960-6L WASHER	2	
-9	AN507DD632R8 SCREW	2	
-10	53-1A	. LATCH ASSY (80477)	1	
-11	540GB165	. BRACKET (USAF)	1	
	MS20365-632 NUT	3	
	AN960-6L WASHER	3	
-12	AN507DD632R8 SCREW	3	
-13	4PA	. HANDLE, Door locking (71863)	1	
	MS20365-1032 NUT	4	
	AN960-10L WASHER	4	
-14	AN526-1032-9 SCREW	2	
	AN936D6 WASHER	1	
-15	AN507DD632R8 SCREW	1	
-16	360E	. HANDLE LEVER (80477)	1	
-17	46D2460	. WINDOW ASSY (USAF)	1	
-18	46B2457	. PIN, Quick-release (USAF)	1	

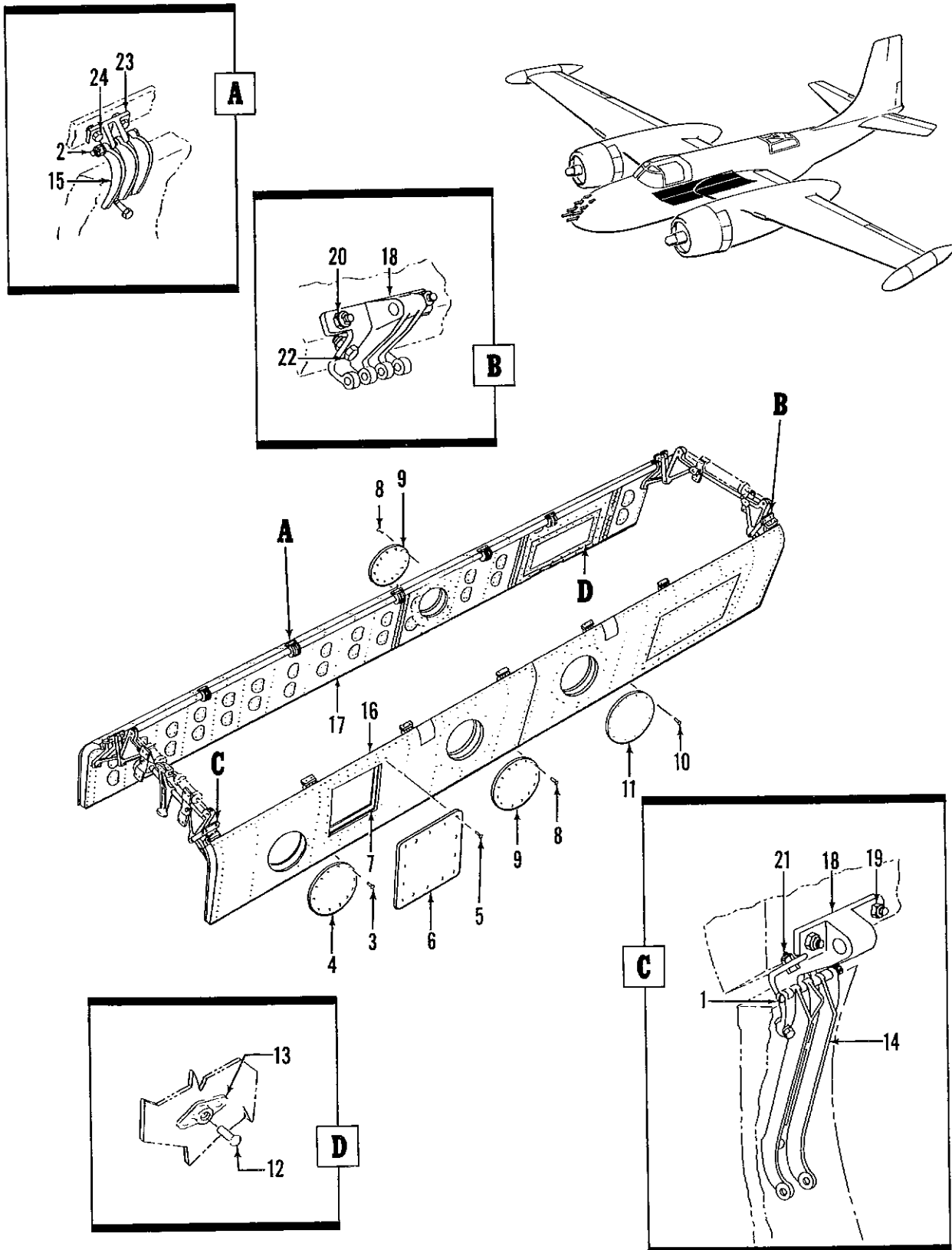


Figure 124. Fuselage Bomb Bay Door Installation

FIG. AND INDEX NO.	PART NUMBER	DESCRIPTION 1 2 3 4 5 6 7	UNITS PER ASSY	USABLE ON CODE
124-	26-1150-1	DOOR INSTL, Fuselage bomb bay (for NHA see fig. 4)	REF	
	26-10011-100	. DOOR ASSY, Fuselage bomb bay LH	1	
	26-10011-101	. DOOR ASSY, Fuselage bomb bay RH	1	
		(ATTACHING PARTS)		
	MS24665-2-2	. PIN	14	
	AN310-3	. NUT	14	
	AN960-D10	. WASHER	14	
-1	AN23-54	. BOLT	4	
-2	AN23-36	. BOLT	10	
		-----*-----		
-3	2600-4	. . STUD, Turnlock fastener (71286) (LH only)	8	
-4	26-10011-34	. . COVER, Flash detector (LH only)	1	
-5	2600-5	. . STUD, Turnlock fastener (71286) (LH only)	14	
-6	26-10011-3	. . COVER, Camera (LH only)	1	
-7	26-10011-59	. . SEAL (LH only)	1	
-8	2600-5	. . STUD, Turnlock fastener (71286)	12	
-9	26-10011-4	. . COVER (Camera)	1	
-10	2600-5	. . STUD, Turnlock fastener (71286) (LH only)	16	
-11	26-10011-19	. . COVER (Camera) (LH only)	1	
-12	2600-5	. . STUD, Turnlock fastener (71286)	18	
-13	2600SW2	. . RETAINER (71286)	18	
-14	5127984	. . SEGMENT, Bomb bay door end hinge (18355)	2	
		(ATTACHING PARTS)		
	1029421-416-14	. . SCREW	4	
	AN3-6A	. . BOLT	4	
		-----*-----		
-15	2126714	. . SEGMENT, Bomb bay door center hinge (18355)	5	
		(ATTACHING PARTS)		
	AN3-6A	. . BOLT	20	
		-----*-----		
-16	26-10011-45L	. . DOOR (LH only)	1	
-17	26-10011-45R	. . DOOR (RH only)	1	
-18	4127547	. HINGE SEGMENT, Fuselage bomb bay door LH (18355)	2	
	4127547-1	. HINGE SEGMENT, Fuselage bomb bay door RH (18355)	2	
		(ATTACHING PARTS)		
	MS20365-428	. NUT	8	
	AN960D416	. WASHER	8	
-19	AN4-10A	. BOLT	4	
-20	AN4-7A	. BOLT	4	
	MS20365-428	. NUT	12	
	AN960D416	. WASHER	12	
-21	AN4-11A	. BOLT	6	
-22	AN4-7A	. BOLT	6	
		-----*-----		
-23	2126715	. HINGE SEGMENT, Fuselage bomb bay door center (18355)	10	
		(ATTACHING PARTS)		
	MS20365-1032	. NUT	20	
	AN960D10	. WASHER	20	
-24	AN3-6A	. BOLT	20	

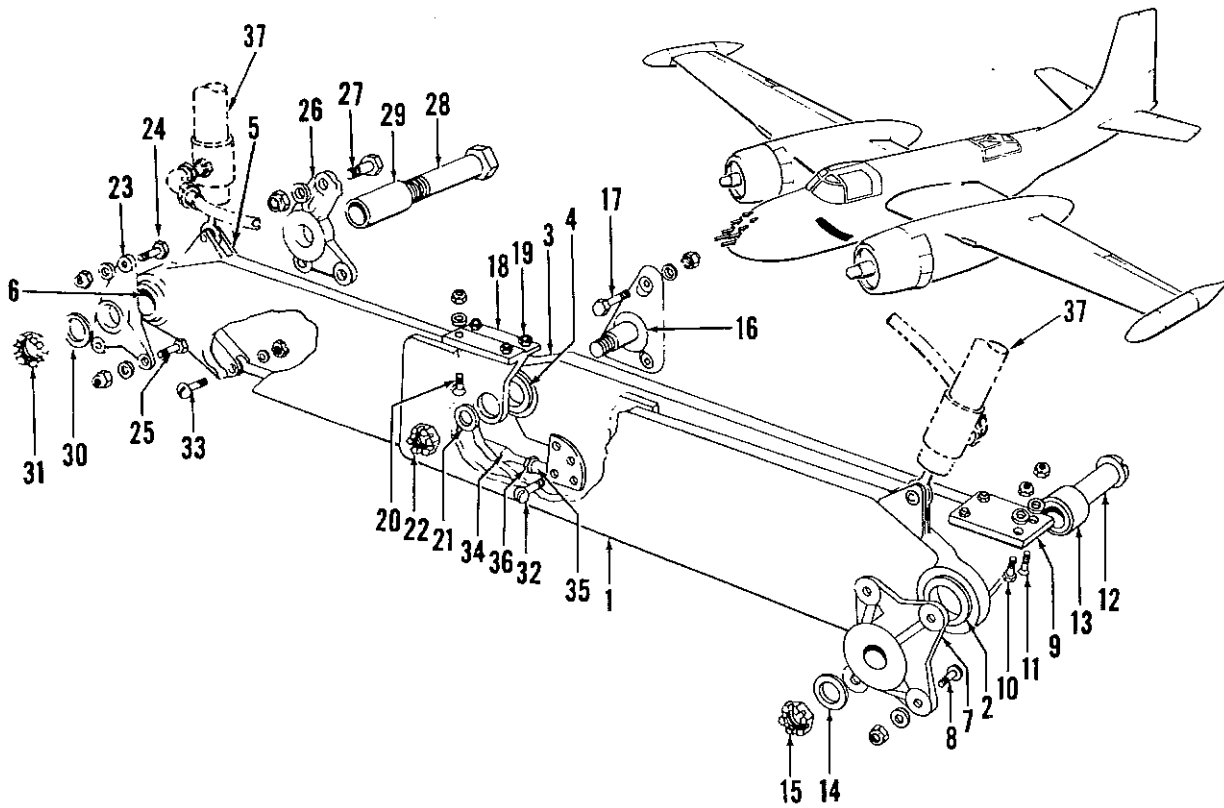


Figure 125. Bomb Bay Spoiler Installation

FIG. AND INDEX NO.	PART NUMBER	DESCRIPTION	UNITS PER ASSY							USABLE ON CODE	
			1	2	3	4	5	6	7		
125-	5206253	SPOILER INSTL, Bomb bay (18355) (for NHA see fig. 4)								REF	
	5206338	. PLATE ASSY, Bomb bay spoiler LH (18355)								1	
-1	5206338-2	. . PLATE (18355)								1	
-2	1206341	. . BUSHING, Bomb bay spoiler plate (18355)								2	
	5206336	. PLATE ASSY, Bomb bay spoiler center (18355)								1	
-3	5206336-2	. . PLATE (18355)								1	
-4	1206341	. . BUSHING, Bomb bay spoiler plate (18355)								2	
	5206339	. PLATE ASSY, Bomb bay spoiler RH (18355)								1	
-5	5206339-2	. . PLATE (18355)								1	
-6	1206341	. . BUSHING, Bomb bay spoiler plate (18355)								1	
-7	4206201	. MOUNT, Bomb bay spoiler plate LH (18355) (ATTACHING PARTS)								1	
	MS20365-428	. NUT								4	
	AN960-416	. WASHER								4	
-8	AN24-14A	. BOLT								4	
		-----*									
-9	2206373	. SUPPORT, Bomb bay spoiler LH (18355) (ATTACHING PARTS)								1	
	MS20365-1032	. NUT								4	
	AN960-10	. WASHER								4	
-10	AN3-6A	. BOLT								2	
-11	AN507-1032-10	. SCREW								2	
		-----*									
-12	AN30-46	. BOLT								1	
-13	1206420	. SPACER, Bomb bay spoiler LH (18355)								1	
-14	AN960-1016	. WASHER								3	
-15	AN320-10	. NUT								1	

FIG. AND INDEX NO.	PART NUMBER	DESCRIPTION 1 2 3 4 5 6 7	UNITS PER ASSY	USABLE ON CODE
125-16	2206384	. MOUNT, Bomb bay plate center (18355) (ATTACHING PARTS)	1	
	MS20365-428	. NUT	2	
	AN960-416	. WASHER	2	
-17	AN4-7A	. BOLT -----*	2	
-18	2206362	. SUPPORT, Bomb bay spoiler center (18355) (ATTACHING PARTS)	1	
	MS20365-1032	. NUT	4	
	AN960-10	. WASHER	4	
-19	AN3-6A	. BOLT	2	
-20	AN507-1032-10	. SCREW -----*	2	
-21	AN960-1016	. WASHER	1	
-22	AN320-10	. NUT	1	
-23	4206244	. MOUNT, Bomb bay spoiler plate forward RH (18355) (ATTACHING PARTS)	1	
	MS20365-1032	. NUT	3	
	AN960-10	. WASHER	3	
-24	AN3-6A	. BOLT	1	
-25	AN3-7A	. BOLT -----*	2	
-26	4206381	. MOUNT, Bomb bay spoiler plate aft RH (18355) (ATTACHING PARTS)	1	
	MS20365-428	. NUT	3	
	AN960-416	. WASHER	3	
-27	AN4-7A	. BOLT -----*	3	
-28	AN10-43	. BOLT	1	
-29	1026421	. SPACER, Bomb bay spoiler RH (18355)	1	
-30	AN960-1016	. WASHER	3	
-31	AN320-10	. NUT	1	
	2206391	. ROD ASSY, Bomb bay spoiler operating (18355) (ATTACHING PARTS)	1	
	AN320-3	. NUT	1	
-32	AN23-15	. BOLT	1	
	AN320-3	. NUT	1	
	AN960-10	. WASHER	1	
-33	AN23-34	. BOLT -----*	1	
-34	2039637-1028	. . ROD ASSY, Steel tube 1/2-in. OD (18355)	1	
-35	RE3F4	. . END, Rod (86174)	2	
-36	AN316-4R	. . NUT	2	
-37		. . HYDRAULIC INSTL, Fuselage aft section (see fig. 24)	REF	

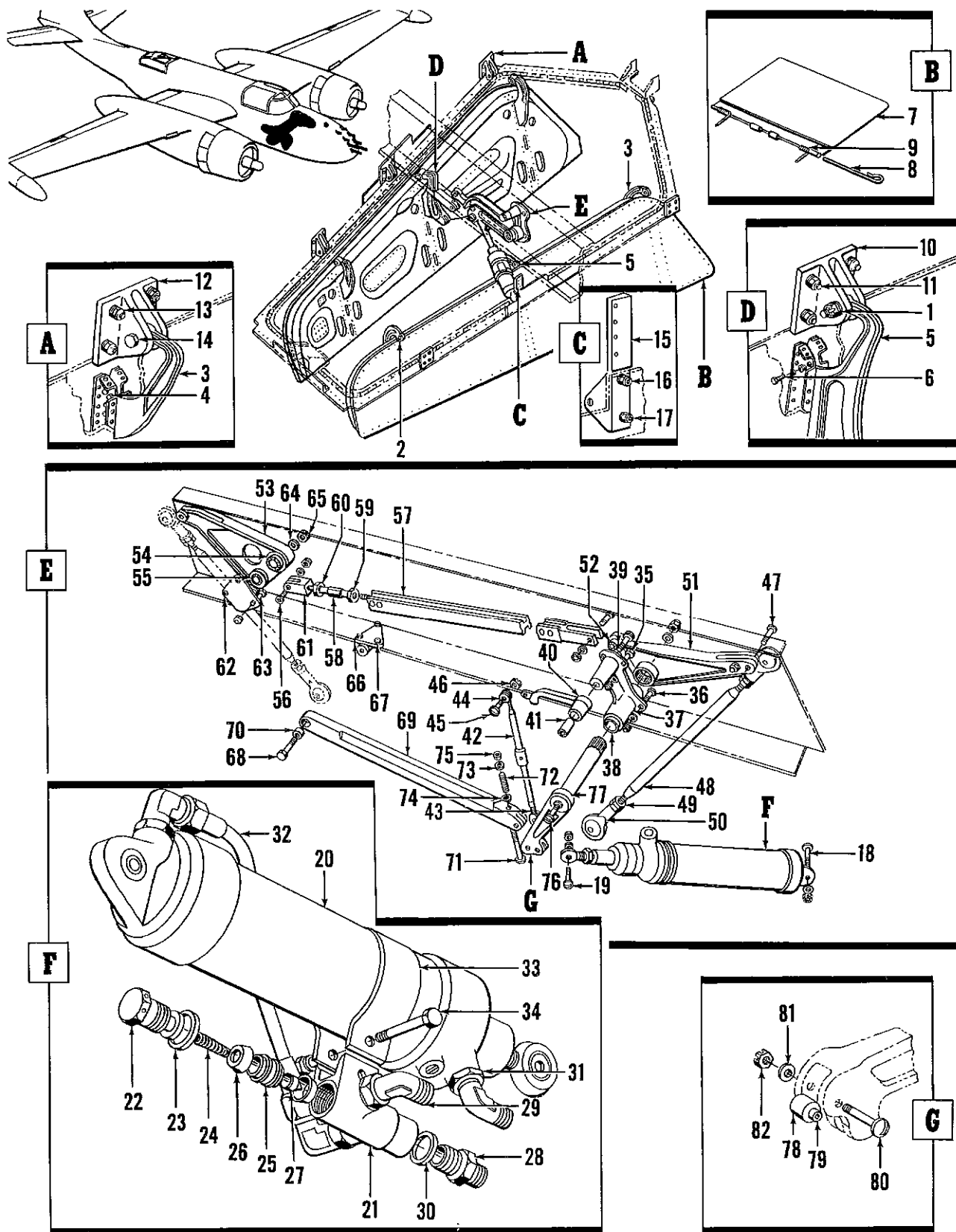


Figure 126. Nose Wheel Door Installation

FIG. AND INDEX NO.	PART NUMBER	DESCRIPTION	UNITS PER ASSY	USABLE ON CODE	
					1 2 3 4 5 6 7
126-	5122157	DOOR INSTL, Nose wheel (18355) (for NHA see fig. 4)	REF		
	5122158	. DOOR ASSY, Nose wheel LH (18355)	1	A	
	5122158-1	. DOOR ASSY, Nose wheel RH (18355)	1	A	
	5208335	. DOOR ASSY, Nose wheel LH (18355)	1	B	
	5209434	. DOOR ASSY, Nose wheel LH (18355)	1	C	
	5207419	. DOOR ASSY, Nose wheel RH (18355) (ATTACHING PARTS)	1	B, C	
	AN310-4	. NUT	6		
	AN960-416L	. WASHER	6		
	1026614G4-024	. SPACER. Steel OD bearing grease finish (18355)	6		
	AN4-15	. BOLT	6		
	-1	-----*-----			
		5122158-30	. DOOR ASSY, Nose wheel LH (18355)	1	A
		5122158-31	. DOOR ASSY, Nose wheel RH (18355)	1	A
		5208335-30	. DOOR ASSY, Nose wheel LH (18355)	1	B
		5209434-30	. DOOR ASSY, Nose wheel LH (18355)	1	C
		5207419-26	. DOOR ASSY, Nose wheel RH (18355)	1	B, C
	-2	4129484-2	. HINGE, Nose wheel door (18355)	1	
	-3	4129484-4	. HINGE, Nose wheel door (18355) (ATTACHING PARTS)	1	
		MS20365-1032	. NUT	6	
	AN960-10	. WASHER	6		
-4	AN3-6A	. BOLT	6		
	-----*-----				
-5	4129492	. HINGE, Nose wheel door (18355) (ATTACHING PARTS)	1		
	MS20365-1032	. NUT	8		
	AN960-10	. WASHER	8		
-6	AN3-6A	. BOLT	8		
	-----*-----				
-7	2208161	. FLAP ASSY, Nose wheel door LH (18355)	1	B	
	2208733	. FLAP ASSY, Fuselage upper step LH (18355) (ATTACHING PARTS)	1	C	
-8	1027965-091-514	. PIN, Stainless steel hinge LH (18355)	1	B	
	1027965-091-614	. PIN, Stainless steel hinge LH (18355)	1	C	
	-----*-----				
-9	135509-15	. SPRING, Standard (18355)	2	B, C	
-10	2129227	. HINGE, Nose wheel door (18355) (ATTACHING PARTS)	2		
	MS20365-1032	. NUT	8		
	AN960-10L	. WASHER	8		
-11	AN3-7A	. BOLT	8		
	-----*-----				
-12	2129226	. HINGE, Nose wheel door fuselage (18355) (ATTACHING PARTS)	4		
	MS20365-1032	. NUT	15		
	AN960-10L	. WASHER	15		
-13	AN3-6A	. BOLT (Three used on RH aft hinge)	15		
-14	AN3-11A	. BOLT (Used on RH aft hinge)	1		
	-----*-----				
-15	2150888	. FITTING, Nose wheel door operating mechanism (18355) (ATTACHING PARTS)	1		
	MS20365-1032	. NUT	1		
	AN960-10L	. WASHER	1		
-16	AN3-11A	. BOLT	1		
	MS20365-1032	. NUT	1		
	AN960-416L	. WASHER	1		
-17	AN4-11A	. BOLT	1		
	-----*-----				
	5122160	. DOOR OPERATING MECHANISM INSTL, Nose wheel (18355)	NP		
	4207091	. CYLINDER AND VALVE ASSY, Nose wheel door actuating (18355) (ATTACHING PARTS)	1		
	AN320-4	. NUT	1		
	AN960D416	. WASHER	1		
-18	AN24-19	. BOLT	1		
	AN320-4	. NUT	1		
	AN960D416	. WASHER	1		
-19	AN24-21	. BOLT	1		
	-----*-----				

Section II
Group Assembly Parts List

T.O. 1B-26K-4

FIG. AND INDEX NO.	PART NUMBER	DESCRIPTION	UNITS PER ASSY	USABLE ON CODE
126-20	4207061	. . . CYLINDER, Nose wheel door actuating (18355)	1	
	4129449	. . . VALVE ASSY, Nose wheel door actuating cylinder shuttle(18355) .	1	
-21	4129448	. . . BODY, Nose wheel door actuating cylinder shuttle (18355). . .	1	
-22	2129306	. . . PLUG, Shuttle valve 1/4-in. (18355)	1	
-23	143908-022T C030-061	. . . WASHER (18355)	1	
-24	1128978	. . . SPRING, Shuttle valve 1/4-in. (18355)	1	
-25	1128979	. . . SPACER, Shuttle valve 1/4-in. (18355)	1	
-26	H107675-010	. . . SEAT, Shuttle valve (73324)	2	
-27	2276748	. . . CONE, Shuttle valve 1/4-in. (18355)	1	
-28	AN815-4D	. . . UNION	1	
-29	AN833-4D	. . . ELBOW	4	
-30	MS28778-4	. . . GASKET	5	
-31	AN924-4D	. . . NUT	4	
-32	4152501-12	. . . LINE ASSY, Nose wheel door actuating cylinder hydraulic(18355) .	1	
-33	2207053	. . . CLAMP, Nose wheel door actuating cylinder shuttle valve(18355) .	1	
-34	AN3-16	. . . BOLT	1	
	AN960D10	. . . WASHER	1	
	MS20365-1032	. . . NUT	1	
	4129566	. . . SUPPORT ASSY, Nose wheel door actuating and uplatch(18355) . .	1	
		(ATTACHING PARTS)		
	MS20365-428	. . . NUT	2	
	AN960D416	. . . WASHER	2	
-35	AN4-11A	. . . BOLT	2	
	MS20365-524	. . . NUT	2	
	AN960D516	. . . WASHER	2	
-36	AN5-10A	. . . BOLT	2	
		-----*		
-37	4129566-2	. . . SUPPORT (18355)	1	
-38	1150508	. . . BEARING, Nose wheel door actuating support LH (18355)	2	
	2150793	. . . LATCH ASSY, Nose wheel door mechanism down (18355)	1	
		(ATTACHING PARTS)		
	AN320-4	. . . NUT	1	
	AN960D616	. . . WASHER	1	
-39	AN26-52	. . . BOLT	1	
		-----*		
-40	2150793-2	. . . LATCH (18355)	1	
-41	A521-11	. . . BEARING, Oilite (70417)	1	
-42	MS21251-16L	. . . BARREL	1	
-43	MS21252-16LS	. . . FORK	1	
-44	MS21254-16S	. . . EYE	1	
-45	AN23-16	. . . BOLT	2	
-46	AN320-3	. . . NUT	2	
	2129388	. . . ROD ASSY, Nose wheel door actuating (18355)	2	
		(ATTACHING PARTS)		
	AN320-4	. . . NUT	2	
	AN960D416	. . . WASHER	2	
-47	AN24-21	. . . BOLT	2	
		-----*		
-48	2085485-910	. . . ROD ASSY, Flash weld type ball bearing engine control(18355) .	1	
-49	AN316-5R	. . . NUT	2	
-50	ARE4	. . . END, Rod (77896)	2	
	4129510	. . . ARM ASSY, Nose wheel door actuating LH (18355)	1	
-51	4129510-2	. . . ARM ASSY, Nose wheel door actuating LH (18355)	1	
-52	AR4-1	. . . BEARING, Needle (60380)	1	
	4129512	. . . ARM ASSY, Nose wheel door actuating RH (18355)	1	
-53	4129512-2	. . . ARM ASSY, Nose wheel door actuating RH (18355)	1	
-54	AR4-1	. . . BEARING, Needle (60380)	1	
-55	NR8L14	. . . BEARING, Needle (86174)	1	
	2153928	. . . LINK ASSY, Nose wheel door mechanism connecting (18355)	1	
		(ATTACHING PARTS)		
	AN320-4	. . . NUT	2	
	AN960D416	. . . WASHER	2	
-56	AN24-19	. . . BOLT	2	
		-----*		
-57	2153928-6	. . . LINK ASSY, Nose wheel door mechanism connecting(18355) . . .	1	
-58	1154425	. . . BARREL, Nose wheel door mechanism connecting link (18355) . .	1	
-59	AN316-6L	. . . NUT	1	
-60	AN316-6R	. . . NUT	1	
-61	1154424	. . . FORK, Nose wheel door mechanism connecting link (18355) . . .	1	

FIG. AND INDEX NO.	PART NUMBER	DESCRIPTION	UNITS PER ASSY	USABLE ON CODE
126-62	4129549	. . . SUPPORT, Nose wheel door operating arm RH (18355) (ATTACHING PARTS)	1	
	AN365-428	. . . NUT.	3	
-63	AN4-6A	. . . BOLT. -----*	3	
-64	AN945-8	. . . WASHER.	1	
-65	AN320-8	. . . NUT.	1	
-66	2150786	. . . SUPPORT, Nose wheel door latch down release (18355) (ATTACHING PARTS)	1	
	MS20365-1032	. . . NUT.	3	
	AN960D10	. . . WASHER.	3	
-67	AN3-7A	. . . BOLT. -----*	3	
	4278482	. . . LEVER ASSY, Nose wheel door latch down release (18355) (ATTACHING PARTS)	1	
	AN320-4	. . . NUT.	1	
	AN960D416	. . . WASHER.	2	
	1026614G04-021	. . . SPACER, OD bearing (18355).	1	
-68	AN4-25	. . . BOLT. -----*	1	
-69	4278482-2	. . . LEVER ASSY, Nose wheel door latch down release (18355)	1	
-70	A532	. . . BEARING Oilite (88271).	1	
-71	176000-4S33ND215	. . . BOLT, Special (18355)	1	
-72	2278448	. . . SPRING, Nose door down latch release (18355)	1	
-73	AN940D416	. . . WASHER.	1	
-74	2278449	. . . RETAINER, Nose door latch release spring (18355).	2	
-75	MS20365-428	. . . NUT.	2	
	4129532	. . . LEVER ASSY, Nose wheel door actuating LH (18355) (ATTACHING PARTS)	1	
	MS20365-428	. . . NUT.	1	
	AN970-4	. . . WASHER.	1	
-76	AN24-28A	. . . BOLT. -----*	1	
-77	4129532-2	. . . LEVER ASSY, Nose wheel door actuating LH (18355)	1	
-78	1204093	. . . ROLLER, Nose wheel door actuating arm (18355)	1	
-79	2206847	. . . BEARING, Nose wheel door actuating mechanism (18355)	1	
-80	AN24-19	. . . BOLT	1	
-81	AN960-416L	. . . WASHER	1	
-82	AN320-4	. . . NUT	1	
		A - USAF 17640 thru 17650 17656 thru 17658 17660 thru 17662 17664, 17666 thru 17668 17670 thru 17672 & 17678		
		B - USAF 17653, 17654, 17659, 17663, 17674, & 17676		
		C - USAF 17651, 17652, 17655, 17665, 17669, 17673, 17675, 17677 & 17679		

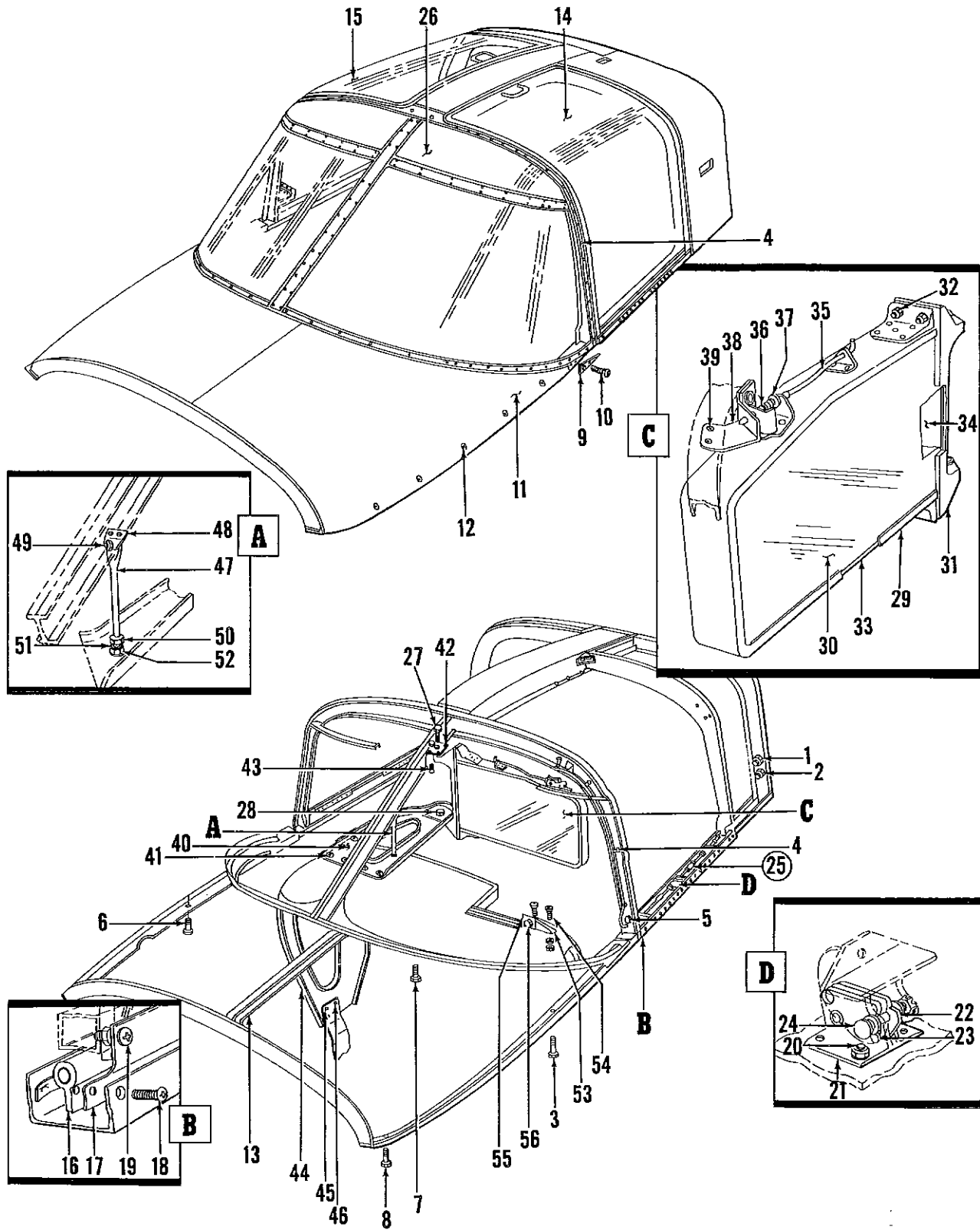


Figure 127. Pilot's Cockpit Enclosure Installation

FIG. AND INDEX NO.	PART NUMBER	DESCRIPTION	UNITS PER ASSY	USABLE ON CODE
127-	26-1159	ENCLOSURE INSTL, Pilot's cockpit (altered from 520776 (18355)) (for NHA see fig. 4)	REF	
	MS20365-428 NUT	10	
	124682-4F16-125 WASHER (18355)	10	
	AN970-4 WASHER	10	
-1	AN4-6A BOLT	10	
	MS20365-832 NUT	37	
-2	AN507-832R8 SCREW	37	
-3	AN4-7A BOLT	2	
	AN960-416 WASHER	2	
	MS20365-1032 NUT	14	
	AN960-10 WASHER	14	
-4	1029421-10-16 SCREW (18355)	14	
	MS20365-1032 NUT	4	
	AN960-10L WASHER	4	
-5	AN3-10A BOLT	4	
	MS20365-428 NUT	17	
	AN960-416 WASHER	17	
	AN970-4 WASHER	17	
-6	AN4-7A BOLT	17	
-7	AN4-7A BOLT	2	
	AN960-416 WASHER	2	
	MS20365-428 NUT	6	
	AN960-416 WASHER	6	
-8	AN4-10A BOLT	6	
	5207767 STRUCTURE ASSY, Pilot's cockpit enclosure complete (18355)	1	
	5207768 STRUCTURE ASSY, Pilot's cockpit enclosure (18355)	1	
-9	2208328 FILLET, Cockpit enclosure skin sta 45 LH (18355)	1	
	2208328-1 FILLET, Cockpit enclosure skin sta 45 RH (18355) (ATTACHING PARTS)	1	
-10	AN507-1032R12 SCREW	4	
	5207886 ACCESS DOOR INSTL, Instrument panel (18355)	NP	
-11	5207886-2 DOOR, Instrument panel access (18355) (ATTACHING PARTS)	1	
-12	AN507-1032R14 SCREW	16	
-13	5207886-4 SEAL (18355)	1	
	5207770 DOOR INSTL, Pilot's enclosure (18355)	NP	
-14	5277576 DOOR ASSY, Pilot's enclosure complete LH (18355) (for details see fig. 128)	1	
-15	5277639 DOOR ASSY, Pilot's enclosure complete RH (18355) (for details see fig. 128)	1	
-16	5207770-2 SEAL (18355)	1	
	5207770-4 SEAL (18355)	1	
-17	2208362 RETAINER, Enclosure door seal lower LH (18355)	1	
	2208361 RETAINER, Enclosure door seal lower RH (18355)	1	
-18	1114189Z8-6 SCREW (18355)	35	
	A1778-8Z1 NUT (78553)	35	
	MS20365-832 NUT	6	
	AN960-8 WASHER	6	
-19	AN507-832R10 SCREW	6	
	2207978 BASE ASSY, Pilot's enclosure door release complete (18355) (ATTACHING PARTS)	7	
	MS20365-1032 NUT	14	
	AN960D10L WASHER	14	
-20	AN509-10R10 SCREW	14	
	4207911 BASE ASSY, Enclosure door release (18355)	1	
	116500-03C006 BUSHING (18355)	2	
-22	2207898 LEVER, Enclosure door release (18355)	1	
-23	146142-187-016 PIN (18355)	1	
	AN320-4 NUT	7	
	AN960C416L WASHER	7	
	2033901-8S225-003 SPACER (18355)	7	
-24	AN24-28 BOLT	7	

Section II
Group Assembly Parts List

T.O. 1B-26K-4

FIG. AND INDEX NO.	PART NUMBER	DESCRIPTION	UNITS PER ASSY	USABLE ON CODE
127-25	26-1159-1	. . . DOOR MECHANISM INSTL, Pilot's cockpit enclosure (altered . . . from 5277384) (18355) (for details see fig. 129)	1	
-26	5276206	. . . WINDSHIELD AND DOME GLASS INSTL, Pilot's cockpit (18355) (for details see fig. 130)	1	
	5207771	. . . GLASS INSTL, Pilot's bulletproof (18355)	NP	
	3208349	. . . COMPLETE ASSY, Pilot's bulletproof glass (18355) (ATTACHING PARTS)	1	
	AN310-8	. . . NUT	1	
	AN960-816	. . . WASHER	1	
	1026614-8-022	. . . SPACER (18355)	1	
-27	AN8-17	. . . BOLT	1	
	AN310-8	. . . NUT	1	
	AN960-816L	. . . WASHER	2	
	AN960-816	. . . WASHER	2	
	1026614-8-024	. . . SPACER (18355)	1	
-28	AN8-15	. . . BOLT	1	
		-----*		
-29	3208349-6	. . . COMPLETE ASSY, Pilot's bulletproof glass (18355)	1	
-30	5208209	. . . GLASS ASSY, Pilot's bulletproof (18355)	1	
-31	3208167	. . . SUPPORT ASSY, Pilot's bulletproof glass (18355)	1	
	F841	. . . BUSHING, Oilite (70417)	4	
	MS20365-428	. . . NUT	4	
	AN960-416	. . . WASHER	4	
-32	AN4-12	. . . BOLT	4	
-33	3208349-2	. . . FILLER (18355)	1	
-34	3208349-4	. . . FILLER (18355)	1	
-35	2208308	. . . PIN ASSY (18355)	1	
-36	2208341	. . . SPRING (18355)	1	
-37	AN960-416	. . . WASHER	3	
-38	2208317	. . . STOP ASSY, Bulletproof glass LH (18355)	1	
	2208317-1	. . . STOP ASSY, Bulletproof glass RH (18355) (ATTACHING PARTS)	1	
	MS20365-1032	. . . NUT	4	
	AN960D10	. . . WASHER	4	
-39	AN520-10R10	. . . SCREW	4	
		-----*		
-40	3208184	. . . SUPPORT ASSY, Bulletproof glass lower (18355) (ATTACHING PARTS)	1	
	MS20365-1032	. . . NUT	14	
	AN960D10	. . . WASHER	14	
-41	AN520-10R10	. . . SCREW	14	
		-----*		
-42	2208210	. . . SUPPORT ASSY, Bulletproof glass upper (18355) (ATTACHING PARTS)	1	
	MS20365-428	. . . NUT	4	
	AN960-416	. . . WASHER	4	
-43	AN4-7A	. . . BOLT	4	
		-----*		
-44	5208096	. . . PANEL SHIELD INSTL, Pilot's instrument (18355)	NP	
	5208069	. . . SUPPORT, Instrument panel shield (18355) (ATTACHING PARTS)	1	
	MS20365-1032	. . . NUT	23	
	AN960D10	. . . WASHER	23	
-45	AN520-10-10	. . . SCREW	12	
-46	AN520-10-8	. . . SCREW	11	
		-----*		
-47	2208135	. . . SUPPORT, Instrument panel shield center (18355)	1	
-48	2208136	. . . CLIP (18355)	1	
	MS20365-428	. . . NUT	3	
	AN960D416	. . . WASHER	3	
-49	AN4-5A	. . . BOLT	3	
-50	AN315-4R	. . . NUT	1	
-51	AN960D416	. . . WASHER	2	
-52	MS20365-428	. . . NUT	1	

FIG. AND INDEX NO.	PART NUMBER	DESCRIPTION							UNITS PER ASSY	USABLE ON CODE
		1	2	3	4	5	6	7		
127-53	2275965	.	.	.	BRACKET (18355)				1	
					(ATTACHING PARTS)					
	MS20365-832	.	.	.	NUT				2	
	AN960-8	.	.	.	WASHER				2	
-54	AN509-8R9	.	.	.	SCREW				2	
					-----*					
-55	2275966	.	.	.	STOP, Clear view panel (18355)				1	
					(ATTACHING PARTS)					
	AN310-3	.	.	.	NUT				1	
	AN960-10	.	.	.	WASHER				1	
-56	AN3-13	.	.	.	BOLT				1	
					-----*					

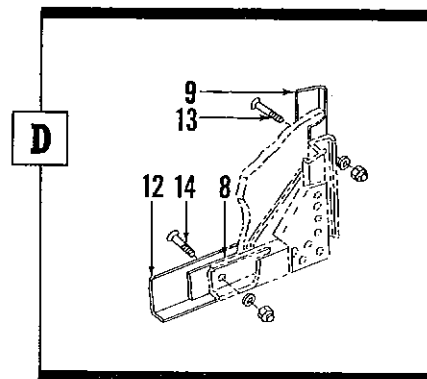
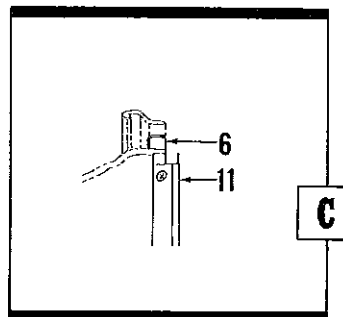
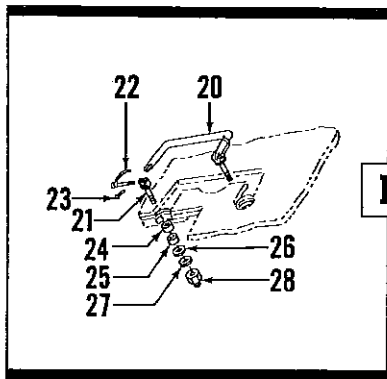
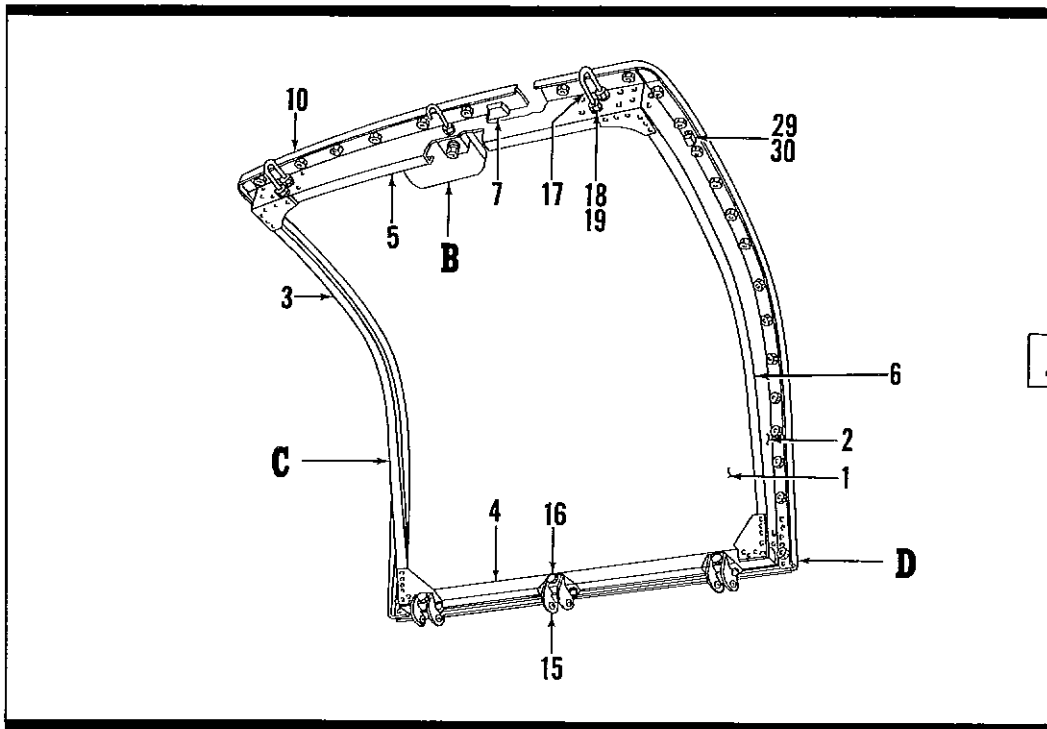
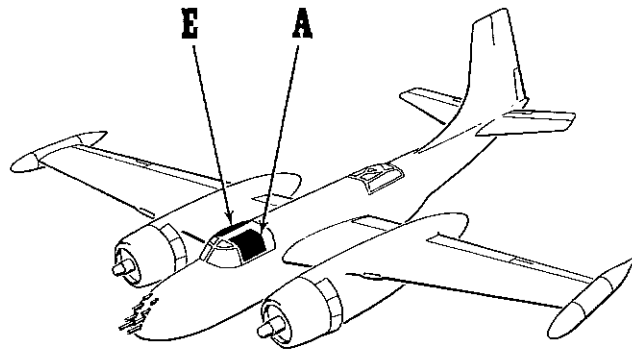


Figure 128. Pilots Enclosure Doors (Sheet 1 of 2)

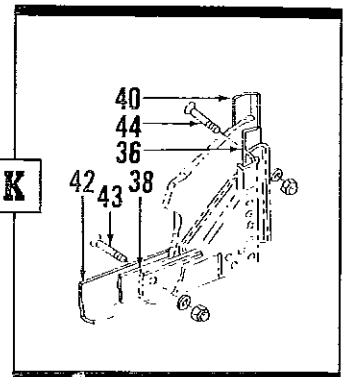
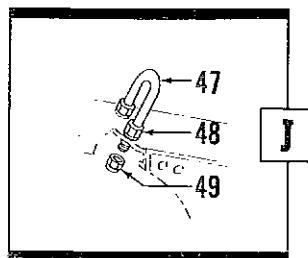
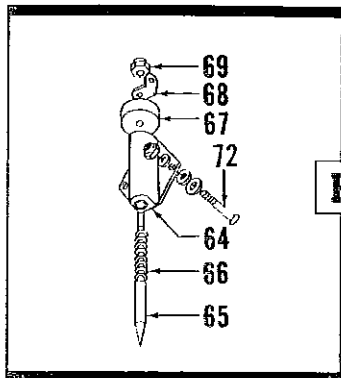
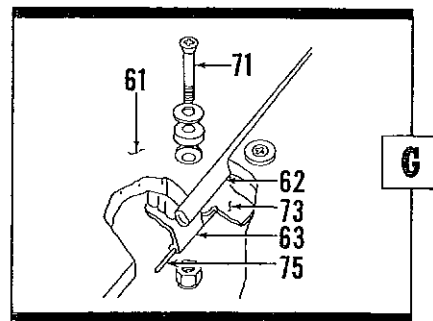
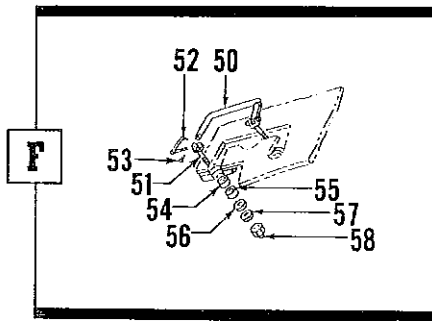
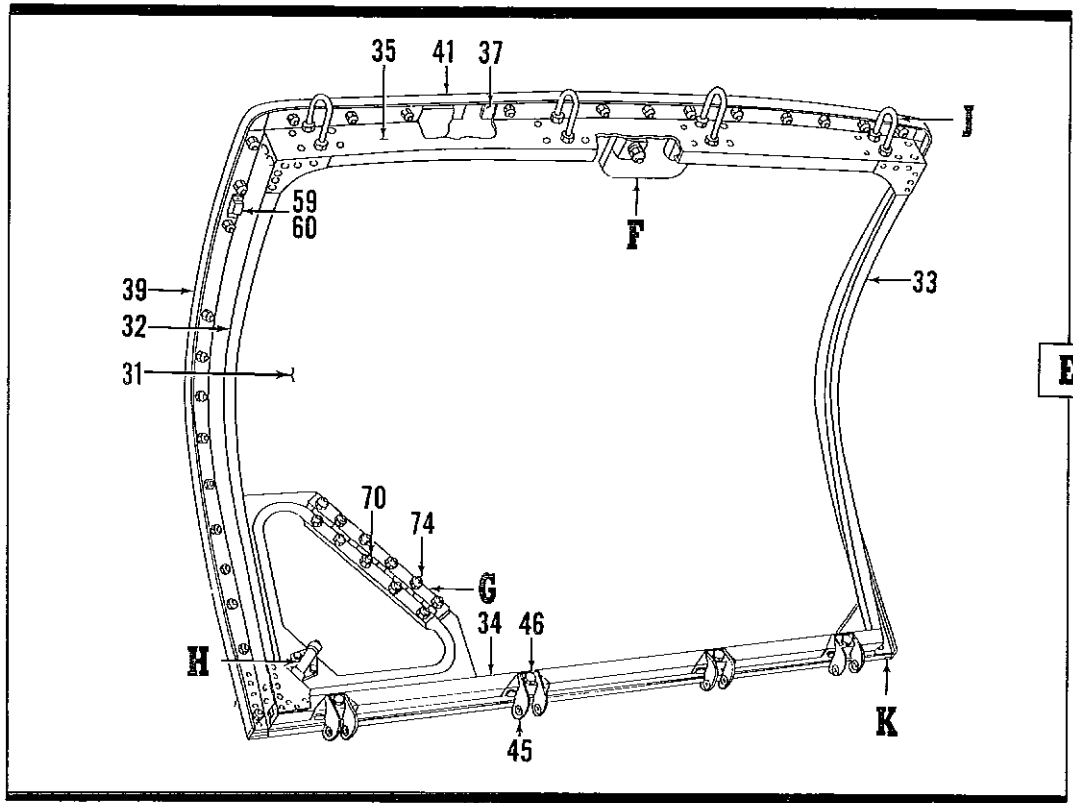


Figure 128. Pilots Enclosure Doors (Sheet 2 of 2)

Section II
Group Assembly Parts List

T.O. 1B-26K-4

FIG. AND INDEX NO.	PART NUMBER	DESCRIPTION	UNITS PER ASSY	USABLE ON CODE		
					1	2
128-	5277576	PILOT'S ENCLOSURE DOORS DOOR ASSY, Pilot's enclosure complete, LH (18355) (for NHA see fig. 127)	REF			
-1	5277575	PANEL ASSY, Pilot's enclosure LH (18355)	1			
-2	3277580	FRAME, Pilot's enclosure door, sta 50, LH (18355)	1			
-3	3277579	FRAME, Pilot's enclosure door, sta 80, LH (18355)	1			
-4	3278123	SUPPORT, Pilot's enclosure door, lower, LH (18355)	1			
-5	3277323	FORMER, Pilot's enclosure upper, LH (18355)	1			
-6	5277576-4	SEAL, Pilot's enclosure door, side, LH (18355)	2			
-7	5277576-6	SEAL, Pilot's enclosure door, upper, LH (18355)	1			
-8	5277576-8	SEAL, Pilot's enclosure door, lower, LH (18355)	1			
-9	3277583	RETAINER, Pilot's enclosure door, forward, LH (18355)	1			
-10	3277577	RETAINER, Pilot's enclosure door, upper, LH (18355)	1			
-11	3277581	RETAINER, Pilot's enclosure door, aft, LH (18355)	1			
-12	2278133	STRIP, Pilot's enclosure door, seal retainer, lower, LH (18355)	1			
	AN960-10L	WASHER	35			
	22K1-02	NUT, Cap (72962)	35			
-13	1029421-10-14	SCREW, Flathead 100°, recessed (18355)	35			
	MS20365-1032	NUT	11			
	AN960-10L	WASHER	11			
-14	1029421-10-14	SCREW, Flathead 100°, recessed (18355)	11			
-15	4207910	ARM ASSY, Pilot's enclosure hinge (18355) (ATTACHING PARTS)	3			
	MS20365-1032	NUT	3			
	AN960-10L	WASHER	6			
-16	AN3-5A	BOLT *-----	3			
-17	2277093	BOLT, Hatch lock "U" (18355)	3			
-18	AN316-4R	NUT	6			
	AN960D416	WASHER	6			
-19	MS20365-428	NUT	6			
-20	2208223	HANDLE, Pilot's enclosure door (18355)	1			
-21	2208224	BOLT, Pilot's enclosure door handle clevis (18355)	2			
-22	2208225	SPRING, Pilot's enclosure door handle torque LH (18355)	1			
	2208225-1	SPRING, Pilot's enclosure door handle torque RH (18355)	1			
-23	MS20392-25	PIN	2			
-24	2033900-4S028-014	TUBE, Steel (18355)	2			
-25	1080930-03B093-014	TUBING, Rubber (18355)	2			
-26	124682-3S10-040	WASHER (18355)	4			
-27	2208021	WASHER, Pilot's enclosure door handle (18355)	4			
-28	22K1-02	NUT, Cap (72962)	2			
-29	2276030	PAD, Pilot's enclosure door, open arm, anti-rattle (18355) (ATTACHING PARTS)	2			
	A1778-8Z1	NUT, Speed (78553)	2			
-30	1114189Z8-6	SCREW, Sheet metal 100° recessed (18355) *-----	2			
	5277639	DOOR ASSY, Pilot's enclosure complete, RH (18355) (for NHA see fig. 127)	REF			
-31	5277574	PANEL ASSY, Pilot's enclosure RH (18355)	1			
-32	3277580-1	FRAME, Pilot's enclosure door sta 50 RH (18355)	1			
-33	3277578	FRAME, Pilot's enclosure door sta 92 RH (18355)	1			
-34	3278104	SUPPORT, Pilot's enclosure door lower RH (18355)	1			
-35	3277322	FORMER, Pilot's enclosure door upper RH (18355)	1			
-36	5277639-6	SEAL, Pilot's enclosure door side RH (18355)	2			
-37	5277639-8	SEAL, Pilot's enclosure door upper RH (18355)	1			
-38	5277639-2	SEAL, Pilot's enclosure door lower RH (18355)	1			
-39	3277583-1	RETAINER, Pilot's enclosure door forward RH (18355)	1			
-40	3277584	RETAINER, Pilot's enclosure door aft RH (18355)	1			
-41	3277582	RETAINER, Pilot's enclosure door upper RH (18355)	1			
-42	2278116	STRIP, Pilot's enclosure door seal lower RH (18355)	1			
	MS20365-1032	NUT	15			
	AN960-10L	WASHER	15			
-43	1029421-10-14	SCREW, Flathead 100° recessed (18355)	15			
	22K1-02	NUT, Cap (72962)	40			
	AN960-10L	WASHER	40			

FIG. AND INDEX NO.	PART NUMBER	DESCRIPTION	UNITS PER ASSY	USABLE ON CODE
128-44	1029421-10-14	. . . SCREW, Flathead 100° recessed (18355)	40	
-45	4207910	. . . ARM ASSY, Pilot's enclosure hinge (18355) (ATTACHING PARTS)	4	
	MS20365-1032	. . . NUT	3	
	AN960-10L	. . . WASHER	6	
-46	AN3-5A	. . . BOLT	3	
		-----*		
-47	2277093	. . . BOLT, Hatch lock "U" (18355)	4	
-48	AN316-4R	. . . NUT	8	
	AN960D416	. . . WASHER	8	
-49	MS20365-428	. . . NUT	8	
-50	2208223	. . . HANDLE, Pilot's enclosure door (18355)	1	
-51	2208224	. . . BOLT, Pilot's enclosure door handle clevis (18355)	2	
-52	2208225	. . . SPRING, Pilot's enclosure door handle torque LH (18355)	1	
	2208225-1	. . . SPRING, Pilot's enclosure door handle torque RH (18355)	1	
-53	MS20392-25	. . . PIN	2	
-54	2033900-4S028-014	. . . TUBE, Steel (18355)	2	
-55	1080930-03B093-014	. . . TUBING, Rubber (18355)	2	
-56	124682-3S10-040	. . . WASHER (18355)	2	
-57	2208021	. . . WASHER, Pilot's enclosure door handle (18355)	2	
-58	22K1-02	. . . NUT, Cap (72962)	2	
-59	2276030	. . . PAD, Pilot's enclosure door hold open arm anti-rattle (18355) (ATTACHING PARTS)	2	
	A1778-8Z1	. . . NUT, Speed (78553)	2	
-60	1114189Z8-6	. . . SCREW, Sheet metal 100° recessed (18355)	2	
		-----*		
	3207968	. . . WINDOW ASSY, Pilot's enclosure door ventilation (18355)	1	
-61	3207968-6	. . . WINDOW ASSY, Pilot's enclosure door ventilation (18355)	1	
-62	2208327	. . . SEAL, Pilot's enclosure door ventilation (18355)	1	
-63	2208063	. . . HINGE, Pilot's enclosure door ventilation window lower (18355)	1	
	2207994	. . . LATCH ASSY, Pilot's enclosure door ventilation window (18355)	1	
-64	2207980 BASE, Pilot's enclosure door ventilation window latch (18355)	1	
-65	2207982 PIN, Pilot's enclosure door ventilation window latch (18355)	1	
-66	2207992 SPRING, Pilot's enclosure door ventilation window latch (18355)	1	
-67	2207986 KNOB, Pilot's enclosure door ventilation window latch (18355)	1	
-68	2209140 CLIP, Pilot's enclosure door ventilation window (18355)	1	
-69	22K1-02 NUT, Cap (72962)	1	
	22K1-02 NUT, Cap (72962)	1	
	AN960-10L WASHER	1	
	AN960-10 WASHER	1	
-70	AN520-10-17 SCREW	1	
	22K1-02 NUT, Cap (72962)	4	
	AN960-10L WASHER	4	
	2208021 WASHER, Pilot's enclosure door ventilation window hinge (18355)	4	
	A3235-020 WASHER (78553)	4	
-71	AN509-10R14 SCREW	4	
	22K1-02 NUT, Cap (72962)	2	
	AN960-10L WASHER	2	
	2208021 WASHER, Pilot's enclosure door ventilation window hinge (18355)	2	
	A3235-020 WASHER (78553)	2	
-72	AN509-10R16 SCREW	2	
-73	2208078 HINGE, Pilot's enclosure door ventilation window upper (18355)	1	
	22K1-02 NUT, Cap (72962)	6	
	AN960-10L WASHER	6	
	2208021 WASHER, Pilot's enclosure door ventilation window hinge (18355)	6	
	A3235-020 WASHER (78553)	6	
-74	1029421-10-16 SCREW, Flathead 100° recessed (18355)	6	
-75	1027965-093-098 PIN, Stainless steel hinge (18355)	1	

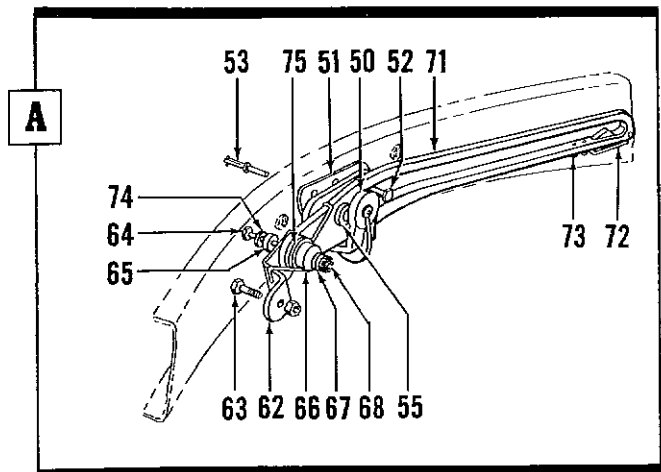
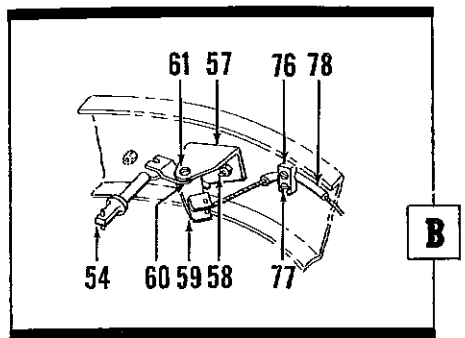
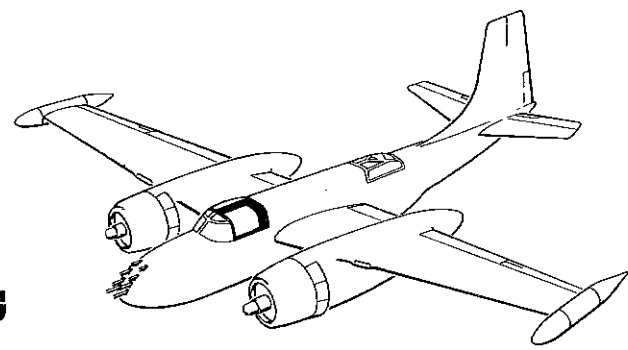
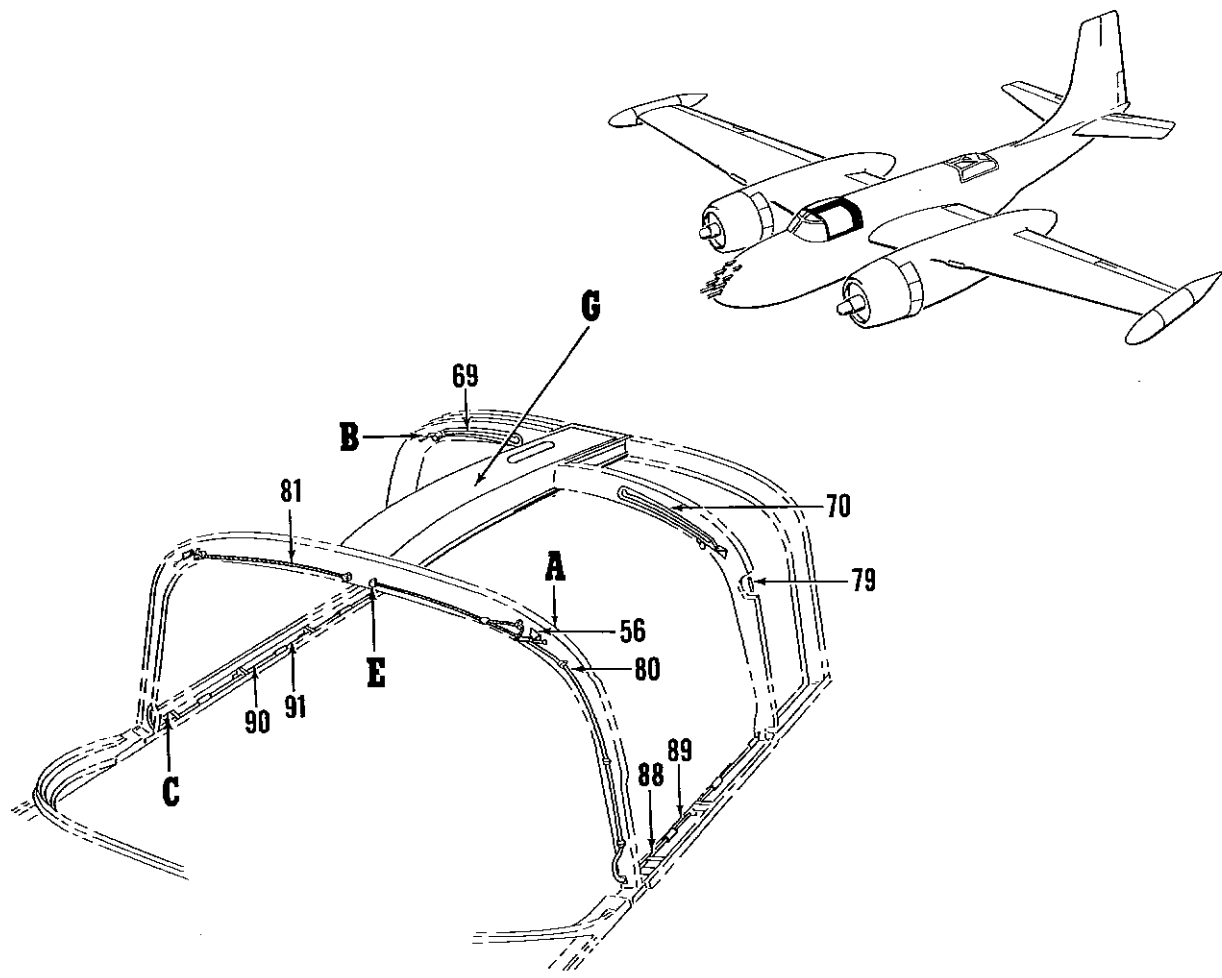


Figure 129. Pilots Cockpit Enclosure Door Mechanism Installation (Sheet 1 of 2)

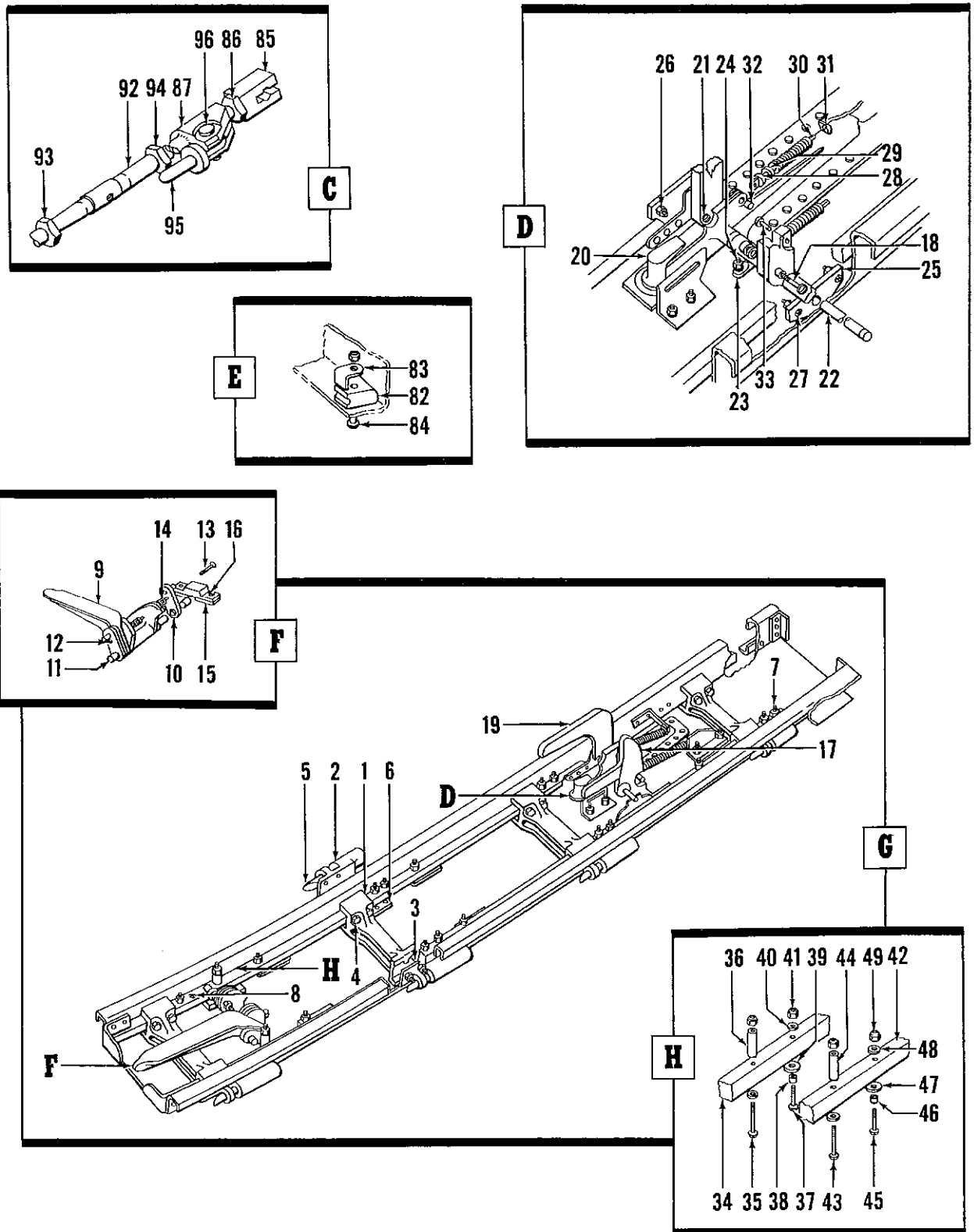


Figure 129. Pilots Cockpit Enclosure Door Mechanism Installation (Sheet 2 of 2)

Section II
Group Assembly Parts List

T.O. 1B-26K-4

FIG. AND INDEX NO.	PART NUMBER	DESCRIPTION 1 2 3 4 5 6 7	UNITS PER ASSY	USABLE ON CODE
129-	26-1159-1	DOOR MECHANISM INSTL, Pilot's cockpit enclosure (altered from 5277384 (18355)) (for NHA see fig. 127)	REF	
-1	3277074	. BRACKET, Hatch lock (18355)	4	
-2	4277075	. SUPPORT, Hatch lock pin, LH (18355)	3	
	4277075-1	. SUPPORT, Hatch lock pin, RH (18355)	4	
-3	5277384-2	. ROLLER, Door locking mechanism (aft side only) (18355)	14	
	MS20365-1032	. NUT	8	
	AN960-10L	. WASHER	8	
	AN3-14A	. BOLT (Used on LH side aft)	2	
-4	AN3-16A	. BOLT (Two used on LH side aft)	8	
-5	2277076	. PIN ASSY, Hatch locking, LH (18355)	3	
	2277076-1	. PIN ASSY, Hatch locking, RH (18355)	4	
-6	2277092	. LEVER, Hatch lock pin, actuating, LH (18355)	3	
	2277092-1	. LEVER, Hatch lock pin, actuating, RH (18355) (ATTACHING PARTS)	3	
	MS20365-1032	. NUT	14	
	AN960-10L	. WASHER	14	
-7	AN3-10A	. BOLT (One used on each forward lever)	12	
-8	NAS221-14	. SCREW -----*	12	
	3277132	. HANDLE ASSY, Emergency release (18355)	1	
-9	3207981-500	. HANDLE ASSY, Door emergency release (18355)	1	
-10	2277151	. LEVER ASSY, Emergency release (18355)	2	
-11	2277774	. PIN, Door emergency release handle bearing (18355)	1	
	MS20365-428	. NUT	1	
	AN960-416	. WASHER	1	
-12	NAS222-29	. SCREW	1	
	MS20365-428	. NUT	1	
	AN960-416	. WASHER	1	
-13	NAS222-25	. SCREW	1	
-14	2033900-8D120-012	. TUBE (18355)	1	
-15	2208041	. BLOCK ASSY, Door emergency handle bearing (18355) (ATTACHING PARTS)	2	
	MS20365-1032	. NUT	4	
	AN960-10L	. WASHER	4	
-16	AN507-1032-14	. SCREW -----*	4	
	NAS76A8-024	. BUSHING	2	
-17	4277209	. HANDLE, Door latching, RH (18355)	1	
	MS20365-428	. NUT	1	
	AN960-416L	. WASHER	1	
	NAS75-4-006	. BUSHING	1	
-18	AN24-20A	. BOLT	1	
	4277391	. HANDLE ASSY, Door latching, LH (18355)	1	
-19	3208051	. HANDLE, Door latching (18355)	1	
-20	105A	. CYLINDER AND CAM ASSY (80477)	1	
	MS20365-428	. NUT	1	
	AN960-416L	. WASHER	1	
	NAS75-4-006	. BUSHING	1	
-21	AN24-18A	. BOLT	1	
-22	146142-375A218	. PIN (18355)	2	
-23	2277207	. BLOCK, Door latch handle center bearing (18355) (ATTACHING PARTS)	1	
	MS20365-1032	. NUT	2	
	AN960-10L	. WASHER	2	
-24	AN507-1032-12	. SCREW -----*	2	
-25	2277291	. BLOCK, Door latch handle end bearing (18355) (ATTACHING PARTS)	2	
	MS20365-1032	. NUT	4	
	AN960-10L	. WASHER	4	
-26	AN520-416R12	. SCREW	4	
-27	AN507-1032-12	. SCREW -----*	4	
-28	1277334	. ROD, Door latching mechanism (18355)	2	
-29	2033900-8D120-012	. TUBE (18355)	2	
-30	1277333	. SPRING, Door latching mechanism (18355)	2	

FIG. AND INDEX NO.	PART NUMBER	DESCRIPTION	UNITS PER ASSY	USABLE ON CODE
129-31	1151330	. BUMPER, Door latching mechanism (18355)	2	
-32	2277547	. PIN, Enclosure spring retainer (18355)	1	
-33	AN394-27	. PIN	1	
	3277277	. ROD ASSY, Locking mechanism, LH (18355).	1	
-34	3277277-2	. . ROD, Locking mechanism (18355)	1	
-35	NAS221-27	. . SCREW.	1	
-36	2033901-8S189-025	. . SPACER (18355)	1	
-37	NAS221-19	. . SCREW.	2	
-38	NAS76A3-005	. . BUSHING	2	
-39	2277326	. . ROLLER, Locking mechanism (18355).	2	
-40	AN960-10	. . WASHER.	3	
-41	MS20365-1032	. . NUT.	3	
	5277331	. ROD ASSY, Locking mechanism (18355).	1	
-42	5277331-2	. . ROD, Pilot's mechanism (18355).	1	
-43	NAS221-29	. . SCREW.	1	
-44	2033901-8S189-025	. . SPACER (18355).	1	
-45	NAS221-19	. . SCREW.	3	
-46	NAS76A3-005	. . BUSHING	3	
-47	2277326	. . ROLLER, Locking mechanism (18355).	3	
-48	AN960-10	. . WASHER.	4	
-49	MS20365-1032	. . NUT.	4	
-50	2208428	. GUIDE, Door hold open arm, forward (18355).	4	
-51	2276596	. SPACER, Door handle open jettison (18355) (ATTACHING PARTS)	4	
	MS20365-1032	. NUT.	8	
	AN960-10L	. WASHER.	8	
-52	AN3-5A	. BOLT. -----*	8	
-53	2276597	. PIN ASSY, Door mechanism (18355)	3	
-54	2208406	. PIN ASSY, Door handle open jettison (18355).	1	
-55	2033901-9CR312-009	. BAR (18355)	4	
-56	2208820	. SUPPORT ASSY (18355).	3	
-57	2208401	. SUPPORT ASSY, Door hold open arm jettison (18355). (ATTACHING PARTS)	1	
	MS20365-1032	. NUT.	4	
	AN960-10L	. WASHER.	4	
-58	AN520-10R8	. SCREW. -----*	4	
-59	2208615	. CRANK ASSY, Door hold open arm jettison (18355)	4	
-60	2208422	. SPRING, Door locking mechanism (18355) (ATTACHING PARTS)	4	
-61	AN393-23	. PIN	4	
	AN960-10L	. WASHER. -----*	4	
-62	2277487	. SUPPORT, Bar stop (18355). (ATTACHING PARTS)	4	
	MS20365-428	. NUT.	4	
	AN960-416L	. WASHER.	4	
-63	AN4-5A	. BOLT. -----*	4	
	2208364	. ARM ASSY, Door hold open, aft, RH (18355).	1	
	2208986	. ARM ASSY, Pilot enclosure door hold open, aft, LH (18355)	1	
	2208715	. ARM ASSY, Door hold open, forward (18355)	2	
-64	NAS80-13	. BOLT. (ATTACHING PARTS)	4	
-65	117425-4S009	. SPACER (18355).	4	
-66	2033901-12D266-018	. SPACER (18355).	4	
-67	AN960-416L	. WASHER.	4	
-68	AN320-4	. NUT. -----*	4	
-69	2208364-2	. . ARM (18355)	1	
-70	2208986-2	. . ARM (18355)	1	
-71	2208363	. . ARM ASSY, Door hold open, forward (18355)	1	
-72	2208163	. . SPRING (18355) (Used on 2208715). (ATTACHING PARTS)	1	
-73	AN500A4-4	. . SCREW.	2	
	AN936A4	. . WASHER (Used on 2208715) -----*	2	
-74	A521-4	. . BEARING, Oilite (70417).	3	

Section II
Group Assembly Parts List

T.O. 1B-26K-4

FIG. AND INDEX NO.	PART NUMBER	DESCRIPTION	UNITS PER ASSY	USABLE ON CODE
129-75	2208987	. SPRING, Door, LH (18355)	2	
	2208987-1	. SPRING, Door, RH (18355)	2	
-76	2208991	. BLOCK, Door emergency release (18355) (ATTACHING PARTS)	2	
	MS20365-832	. NUT	4	
	AN960D8	. WASHER	4	
-77	AN520-8R20	. SCREW -----*-----	4	
-78	2208821	. CABLE ASSY, Emergency release (18355)	1	
-79	2208754	. CABLE ASSY, Emergency release (18355)	1	
-80	2208755	. CABLE ASSY, Emergency release, LH (18355)	1	
-81	2208755-1	. CABLE ASSY, Emergency release, RH (18355)	1	
-82	2208856	. BLOCK, Door emergency release (18355)	2	
-83	2208883	. GUARD, Door emergency release cable (18355) (ATTACHING PARTS)	2	
	MS20365-1032	. NUT	2	
	AN960-10L	. WASHER	2	
-84	AN520-10R20	. SCREW -----*-----	2	
-85	2208832	. END, Door hinge release rod (18355)	4	
-86	AN316-4R	. NUT	4	
-87	2208846	. ROD ASSY, Door hinge release, forward (18355)	2	
-88	2208847	. ROD ASSY, Door hinge release (18355)	2	
-89	2208845	. ROD ASSY, Door hinge release, LH (18355)	1	
-90	2208848	. ROD ASSY, Door hinge release, RH (18355)	1	
-91	2208866	. ROD ASSY, Door hinge release, RH (18355)	1	
-92	AN155-32S	. BARREL	5	
-93	AN316-4L	. NUT	5	
-94	AN316-4R	. NUT	5	
-95	2207899	. PIN, Door release (18355) (ATTACHING PARTS)	7	
-96	AN393-19	. PIN	7	
	AN960-10L	. WASHER -----*-----	7	

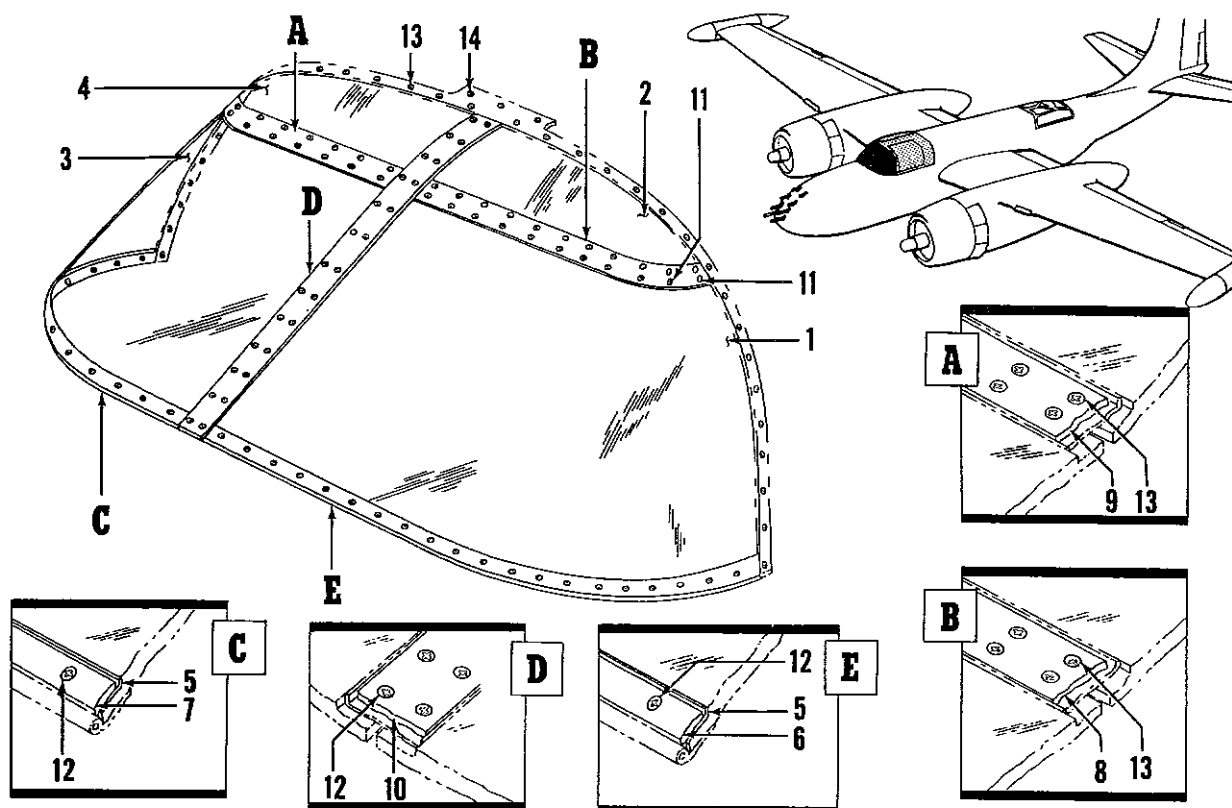


Figure 130. Pilots Cockpit Windshield and Dome Glass Installation

FIG. AND INDEX NO.	PART NUMBER	DESCRIPTION	UNITS PER ASSY	USABLE ON CODE		
					1	2
130 -	5276206	WINDSHIELD AND DOME GLASS INSTL, Pilot's cockpit (18355) (For NHA see fig. 127)	REF			
-1	5276091	. PANEL, Windshield glass LH (18355)	1			
-2	5208277	. PANEL ASSY, Pilot's enclosure dome LH (18355)	1			
-3	5208015-8	. PANEL, Windshield glass RH (18355)	1			
-4	5208277-1	. PANEL ASSY, Pilot's enclosure dome RH (18355)	1			
-5	5276206-24	. SEAL (18355)	2			
-6	5276206-8	. RETAINER, Pilot's cockpit windshield LH (18355)	1			
-7	5276206-9	. RETAINER, Pilot's cockpit windshield RH (18355)	1			
-8	5276206-16	. RETAINER, Pilot's cockpit windshield and dome glass LH (18355)	1			
-9	5276206-20	. RETAINER, Pilot's cockpit windshield and dome glass RH (18355)	1			
-10	5276206-6	. RETAINER, Pilot's cockpit windshield and dome glass (18355)	1			
-11	1114189Z8-8	. SCREW, Recessed flathead 100° (18355)	2			
	2033900-6D049-006	. SPACER (18355)	2			
	A6416-8Z	. NUT (78355)	2			
	MS20365-1032	. NUT	58			
	AN960D10	. WASHER	58			
-12	AN509-10R14	. SCREW	58			
	MS20365-1032	. NUT	76			
	AN960D10	. WASHER	76			
	2033900-6D049-008	. SPACER (18355)	76			
-13	AN509-10R12	. SCREW	76			
	MS20365-1032	. NUT	3			
	AN960D10	. WASHER	3			
-14	1087510-10-10	. SCREW, Steel 100° recessed flathead (18355)	3			

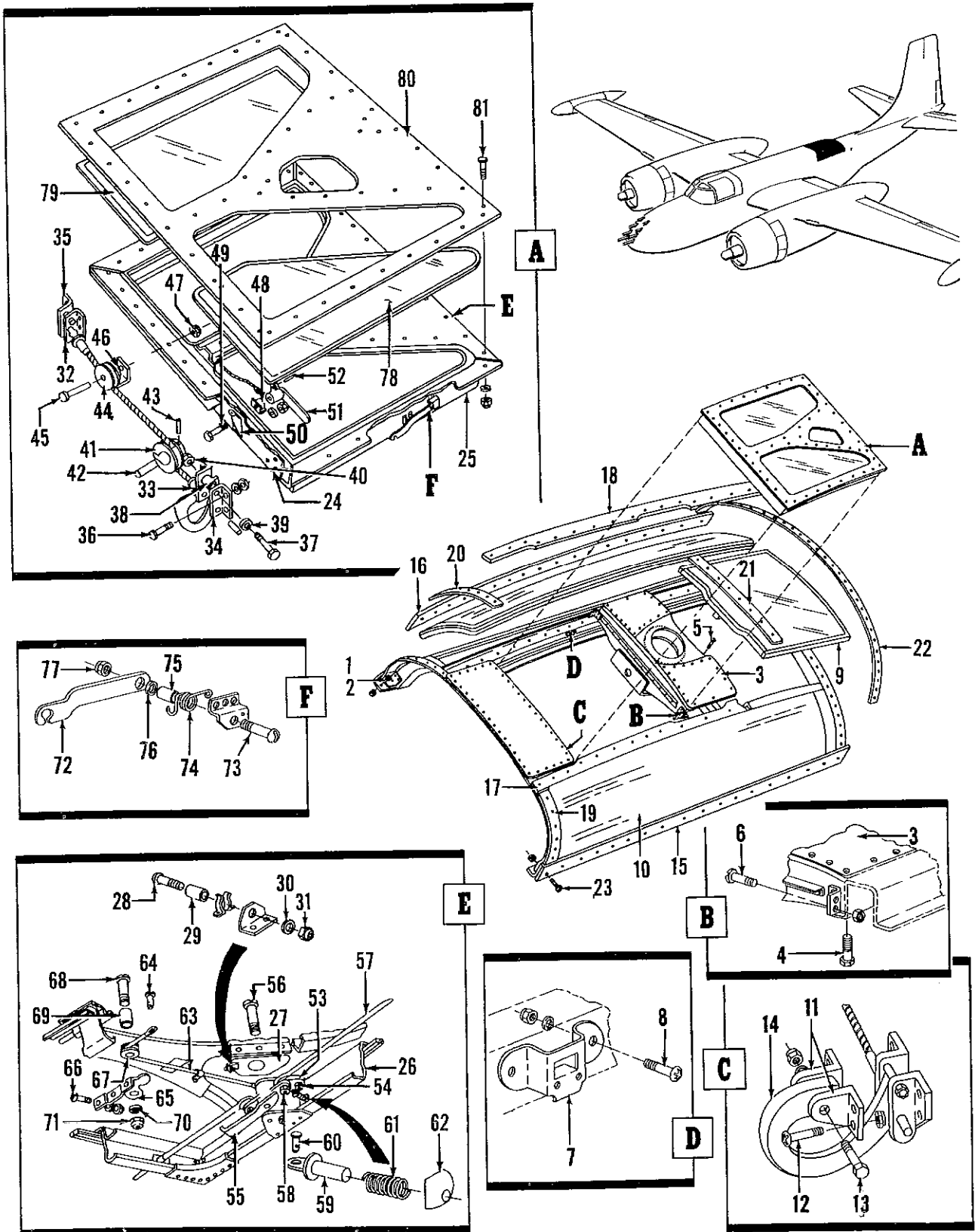


Figure 131. Gunner Enclosure Installation

FIG. AND INDEX NO.	PART NUMBER	DESCRIPTION	UNITS PER ASSY	USABLE ON CODE
131-	5153147	ENCLOSURE INSTL, Gunner (18355) (for NHA see fig. 4)	REF	
	5153147-12	ENCLOSURE ASSY, Gunner complete (18355)	1	
		(ATTACHING PARTS)		
	MS20365-428	NUT	28	
-1	AN4-6A	BOLT	28	
-2	AN4-7A	BOLT	6	
	AN960D416	WASHER	6	
		-----*		
	5193198	STRUCTURE ASSY, Gunner enclosure (18355)	1	
-3	5193099	STRUCTURE ASSY, Upper sighting station support (18355)	1	
		(ATTACHING PARTS)		
-4	AN4-4A	BOLT	2	
	MS20365-1032	NUT	16	
-5	AN507-1032-8	SCREW	12	
-6	1029679P10-8	SCREW, Slotted roundhead (18355)	4	
		-----*		
-7	1192370	PLATE, Gunner escape door striker (18355)	2	
		(ATTACHING PARTS)		
	MS20365-1032	NUT	4	
	AN960-10	WASHER	4	
-8	AN520-10R8	SCREW	4	
		-----*		
-9	5193094	PANEL ASSY, Gunner upper window (18355)	1	
-10	5128684	BLISTER ASSY, Gunner enclosure LH (18355)	1	
	5128684-1	BLISTER ASSY, Gunner enclosure RH (18355)	1	
-11	1192366	BRACKET, Door hinge LH (18355)	2	
	1192366-1	BRACKET, Door hinge RH (18355)	2	
		(ATTACHING PARTS)		
	MS20365-428	NUT	8	
-12	NAS222-11	SCREW	8	
	MS20365-524	NUT	2	
	AN960-516	WASHER	2	
-13	AN5-10A	BOLT	2	
		-----*		
-14	2192184	HINGE, Door (18355)	2	
-15	5153147-2	STRIP, Gunner enclosure seal retainer LH (18355)	1	
-16	5153147-3	STRIP, Gunner enclosure seal retainer RH (18355)	1	
-17	5153147-4	STRIP, Gunner enclosure seal retainer LH (18355)	1	
-18	5153147-5	STRIP, Gunner enclosure seal retainer RH (18355)	1	
-19	5153147-8	STRIP, Gunner enclosure seal retainer forward LH (18355)	1	
-20	5153147-9	STRIP, Gunner enclosure seal retainer forward RH (18355)	1	
-21	5153147-10	STRIP, Gunner enclosure seal retainer (18355)	1	
-22	5153147-6	STRIP, Gunner enclosure seal retainer aft (18355)	1	
		(ATTACHING PARTS)		
	MS20365-1032	NUT	AR	
-23	AN507-1032-8	SCREW	AR	
		-----*		
-24	5192418	DOOR ASSY, Gunner escape (18355)	1	
	5192418-70	CHANNEL ASSY, Gunner escape door (18355)	1	
-25	5192418-68	CHANNEL ASSY, Gunner escape door LH (18355)	1	
	5192418-69	CHANNEL ASSY, Gunner escape door RH (18355)	1	
-26	5192418-64	CHANNEL ASSY, Gunner escape door (18355)	1	
-27	5192418-66	DOOR ASSY, Emergency release access (18355)	1	
-28	AN520-10-16	SCREW	1	
-29	2033900-4S028-016	TUBE, Chromium molybdenum steel (18355)	1	
-30	AN960D10	WASHER	1	
-31	MS20365-1032	NUT	1	
-32	1193352-2	BRACKET, Pilot access door jettison hinge LH (18355)	1	
-33	1193352-3	BRACKET, Pilot access door jettison hinge RH (18355)	1	
-34	1192367-2	BRACKET, Access door hinge LH (18355)	1	
-35	1192367-3	BRACKET, Access door hinge RH (18355)	1	
		(ATTACHING PARTS)		
	MS20365-1032	NUT	4	
	AN960D10	WASHER	4	
-36	AN3-5A	BOLT	4	
		-----*		

Section II
Group Assembly Parts List

T.O. 1B-26K-4

FIG. AND INDEX NO.	PART NUMBER	DESCRIPTION	UNITS PER ASSY	USABLE ON CODE
131-37	AN3-10A BOLT	2	
-38	NAS43DD3-18 SPACER	2	
-39	AN960D10 WASHER	2	
-40	MS20365-1032 NUT	2	
-41	2192663 RELEASE ASSY, Gunner enclosure escape door (18355) (ATTACHING PARTS)	1	
-42	1142960 PIN, Gunner escape door (18355) -----*	1	
-43	146142-125-021 PIN, Cadmium plated bar steel (18355)	1	
-44	AN210-1A PULLEY	1	
-45	AN3-11A BOLT	1	
-46	2033901-8D193-009 SPACER, 17ST aluminum alloy (18355)	1	
-47	AN365-1032 NUT	1	
-48	2192650 BRACKET, Gunner enclosure escape door jettison (18355) (ATTACHING PARTS)	1	
	MS20365-1032 NUT	4	
	AN960D10 WASHER	4	
-49	AN3-5A BOLT -----*	4	
-50	51921418-74 BRACKET, Gunner enclosure escape door jettison (18355)	1	
-51	2192648 HANDLE, Gunner enclosure escape jettison (18355)	1	
-52	146142-125-021 PIN, Cadmium plated bar steel (18355)	1	
-53	1192354 BRACKET, Gunner enclosure escape door handle (18355) (ATTACHING PARTS)	1	
	MS20365-1032 NUT	2	
	AN960D10 WASHER	2	
-54	AN507-1032-8 SCREW -----*	2	
-55	2192643 HANDLE, Gunner enclosure escape door jettison (18355) (ATTACHING PARTS)	1	
	MS20365-1032 NUT	1	
	AN960-10L WASHER	1	
	1026614-3-131 SPACER, OD bearing (18355)	1	
-56	AN507-1032-40 SCREW -----*	1	
-57	2192704 TUBE ASSY, Gunner escape door lock actuating (18355) (ATTACHING PARTS)	2	
	AN320-3 NUT	4	
-58	AN23-11 BOLT -----*	4	
-59	1193236 TOGGLE, Gunner enclosure escape door lock (18355) (ATTACHING PARTS)	1	
-60	MS20392-11 PIN -----*	1	
-61	1193315 SPRING, Gunner enclosure escape door lock (18355)	1	
-62	1151330 ROLLER, Gunner enclosure escape door (18355)	1	
-63	1193224 CABLE ASSY, Gunner enclosure escape door jettison (18355) (ATTACHING PARTS)	1	
-64	MS20392-15 PIN -----*	2	
-65	2192709 BRACKET ASSY, Gunner enclosure escape door (18355) (ATTACHING PARTS)	1	
	MS20365-1032 NUT	3	
	AN960D10 WASHER	3	
-66	AN520-10-8 SCREW -----*	3	
-67	AN210-1A PULLEY	1	
-68	AN507-1032-24 SCREW	1	
-69	2033901-8D193-018 SPACER (18355)	1	
-70	AN960D10 WASHER	1	
-71	MS20365-1032 NUT	1	
-72	1193237 SUPPORT, Gunner enclosure escape door hold - open (18355) (ATTACHING PARTS)	1	
-73	AN520-10-16 SCREW	1	

FIG. AND INDEX NO.	PART NUMBER	DESCRIPTION	UNITS PER ASSY	USABLE ON CODE		
					1	2
131-74	1194820	. . . SPRING, Gunner escape door hold - open support (18355)	1			
-75	1026614-3-018	. . . SPACER, OD bearing (18355)	1			
-76	AN960-10	. . . WASHER	1			
-77	MS20365-1032	. . . NUT	1			
		-----*				
-78	5192418-22	. . . PANEL, Gunner escape door plexiglas LH (18355)	1			
-79	5192418-24	. . . PANEL, Gunner escape door plexiglas RH (18355)	1			
-80	5192418-20	. . . PANEL, Gunner escape door retainer (18355)	1			
		(ATTACHING PARTS)				
	MS20365-1032	. . . NUT	AR			
	AN960D10	. . . WASHER	AR			
-81	AN507-1032-10	. . . SCREW	AR			
		-----*				

FIG. AND INDEX NO.	PART NUMBER	DESCRIPTION	UNITS PER ASSY	USABLE ON CODE		
					1	2
132-	26-0023-1	STRUCTURE ASSY, Fuselage main (altered from 5153137 (18355)) (for NHA see fig. 4)	REF			
	5154715	. . . STRUCTURE INSTL, Fuselage sta 120 to 181 upper (18355)	1			
	5157882	. . . SOCKET INSTL, Bomb hoist support (18355)	1			
-1	5127964	. . . SOCKET, Bomb hoist support (18355)	1			
		(ATTACHING PARTS)				
	MS20365-428	. . . NUT	12			
	AN960-416	. . . WASHER	12			
-2	AN4-10A	. . . BOLT	6			
-3	AN4-6A	. . . BOLT	6			
		-----*				
-4	4128223	. . . DOOR ASSY, Bomb hoist access	1			
	5193141	. . . STIFFENER INSTL, Fuselage wing drag (18355)	NP			
-5	4193421	. . . FITTING, Fuselage wing drag stiffener, LH (18355)	1			
	4193421-1	. . . FITTING, Fuselage wing drag stiffener, RH (18355)	1			
		(ATTACHING PARTS)				
	MS20365-524	. . . NUT	9			
	AN960-516L	. . . WASHER	9			
-6	AN25-36A	. . . BOLT	3			
-7	AN25-12	. . . BOLT	6			
		-----*				
-8	5125798	. . . SUPPORT INSTL, Nose landing gear (18355)	NP			
	5125796	. . . SUPPORT, Nose landing gear cross beam, LH (18355)	1			
	5125796-1	. . . SUPPORT, Nose landing gear cross beam, RH (18355)	1			
	5194622	. . . HANDGRIP AND STEP INSTL, Fuselage (18355)	NP	A		
-9	5194622-40	. . . DOOR ASSY, Fuselage handgrip and step, upper (18355)	1			
-10	1000759S120-428	. . . PIN, Hood hinge (18355)	1			
-11	133509-12	. . . SPRING, Standard hinge, (18355)	2			
-12	5194622-38	. . . DOOR ASSY, Fuselage handgrip and step, lower	1			
-13	5194622-48	. . . HINGE (18355)	1			
-14	121873-091-908	. . . PIN, Safety (18355)	1			
-15	133509-4	. . . SPRING, Standard hinge (18355)	2			
	5194622-36	. . . LADDER ASSY, Fuselage handgrip and step (18355)	1			
-16	2195025	. . . TUBE ASSY, Pilot's retractable ladder, lower (18355)	2			
-17	1194844	. . . TUBE, Pilot's retractable ladder, upper (18355)	2			
-18	1194972	. . . CABLE ASSY, Pilot's retractable ladder (18355)	2			
-19	2195021	. . . RUNG, Pilot's retractable step, lower (18355)	1			
		(ATTACHING PARTS)				
	146142-125-110	. . . PIN (18355)	2			
		-----*				
-20	2195020	. . . RUNG, Pilot's retractable step, upper (18355)	2			
	MS20365-428	. . . NUT	2			
	AN520-416R14	. . . SCREW	2			
-21	1205074	. . . SPRING, Pilot's step (18355)	2			
-22	1205075	. . . CLIP, Spring attach (18355)	2			

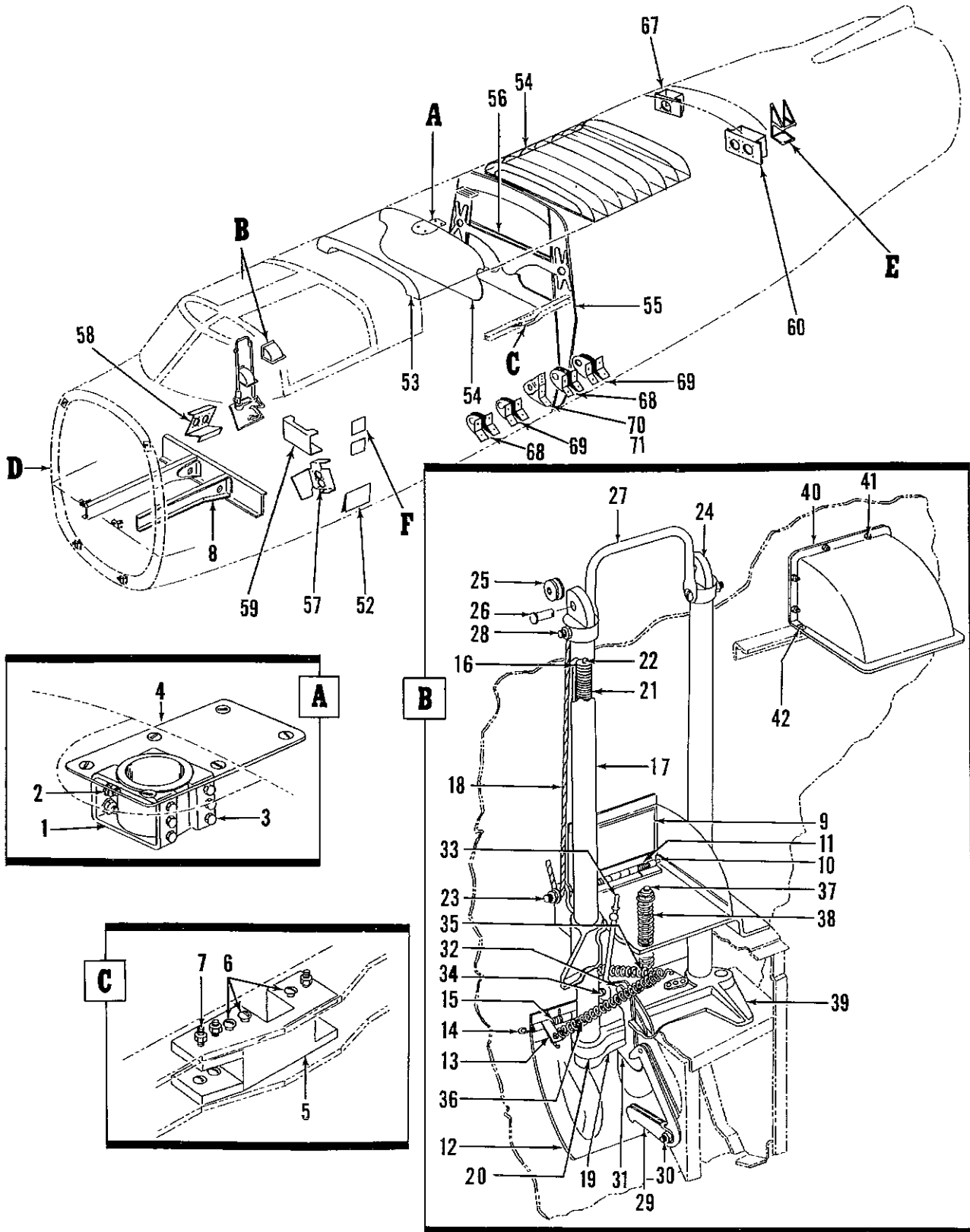


Figure 132. Fuselage Main Structure Assembly (Sheet 1 of 2)

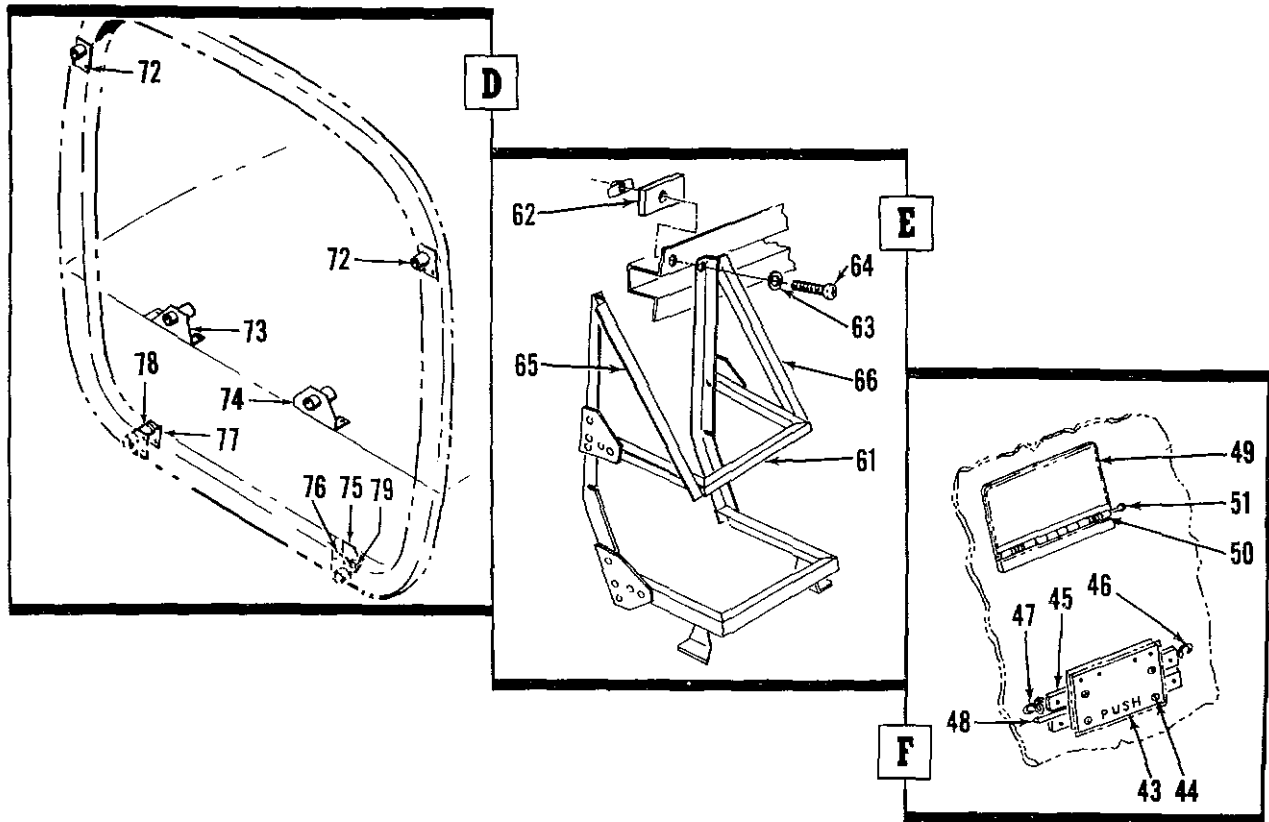


Figure 132. Fuselage Main Structure Assembly (Sheet 2 of 2)

FIG. AND INDEX NO.	PART NUMBER	DESCRIPTION							UNITS PER ASSY	USABLE ON CODE
		1	2	3	4	5	6	7		
132-	MS20365-1032	.	.	NUT	2	
	1194864	.	.	WASHER, Pilot's retractable cable attach (18355)	2	
-23	AN3-5A	.	.	BOLT	2	
-24	2195016	.	.	BRACKET ASSY, Pulley, pilot's retractable step (18355)	2	
-25	AN210-1A	.	.	PULLEY	2	
-26	MS20392-17	.	.	PIN	1	
-27	2203649	.	.	HANDLE	1	
				(ATTACHING PARTS)						
	MS20365-1032	.	.	NUT	2	
	AN960-10	.	.	WASHER	2	
-28	AN509-10R31	.	.	SCREW	2	
				-----*						
-29	4195343	.	.	CATCH ASSY, Door, pilot's retractable step (18355)	1	
				(ATTACHING PARTS)						
	MS20365-1032	.	.	NUT	1	
	AN960-10	.	.	WASHER	2	
	1195809	.	.	SPRING, Door catch, pilot's retractable step (18355)	1	
	NAS43HT3-32	.	.	SPACER	2	
-30	AN520-10R24	.	.	SCREW	1	
				-----*						

Section II
Group Assembly Parts List

T.O. 1B-26K-4

FIG. AND INDEX NO.	PART NUMBER	DESCRIPTION	UNITS PER ASSY	USABLE ON CODE
132-31	1194862	. . HOOK ASSY, Pilot's retractable step release (ATTACHING PARTS)	1	
-32	MS20392-19	. . PIN -----*	1	
-33	1194866	. . ROD, Push, pilot's retractable ladder (18355) (ATTACHING PARTS)	1	
	AN310-3	. . NUT	1	
	2033900-4S028-005	. . SPACER (18355)	1	
-34	AN3-5	. . BOLT -----*	1	
-35	1194859	. . SPRING, Latch, pilot's retractable ladder (18355)	2	
-36	1193936	. . SPRING, Pilot's access door jettison handle (18355)	2	
-37	1194863	. . ROD, Kickout guide, pilot's retractable ladder (18355) (ATTACHING PARTS)	1	
	AN315-3R	. . NUT	1	
	AN960-10L	. . WASHER -----*	1	
-38	1194856	. . SPRING, Kickout, pilot's retractable ladder (18355)	1	
	AN970-3	. . WASHER	1	
-39	4193583	. . FITTING, Pilot's retractable step, lower (18355)	1	
-40	4276936	. . STEP ASSY, Flush, fuselage (18355) (ATTACHING PARTS)	1	
	MS20365-832	. . NUT	8	
-41	AN507-832R12	. . SCREW	6	
-42	NAS220-9	. . SCREW -----*	2	
	133509-13	. . SPRING, Standard hinge (18355)	2	
	121873-091-428	. . PIN, Safety (18355)	1	
	5207581	. . HANDGRIP AND STEP INSTL, Fuselage LH (18355)	NP	B
-43	2275893	. . FLAP ASSY, Fuselage handgrip (18355) (ATTACHING PARTS)	1	
	MS20365-1032	. . NUT	8	
-44	1087510-10-10	. . SCREW, Steel, 100° recessed, flat hd (18355) -----*	8	
-45	2275914	. . HINGE, Flap, fuselage handgrip (18355)	4	
-46	2275884	. . SPRING, Fuselage handgrip, LH (18355)	1	
-47	2275884-1	. . SPRING, Fuselage handgrip, RH (18355)	1	
-48	5207581-28	. . ROD, Flap, fuselage handgrip (18355)	1	
-49	2208733	. . FLAP ASSY, Fuselage step (18355)	1	
-50	133509-15	. . SPRING, Standard hinge (18355)	2	
-51	1027965-091-614	. . PIN, Stainless steel, hinge (18355)	2	
-52	2208160	. . FLAP ASSY, Fuselage step (18355)	1	B
-53	5128682	. . CANOPY INSTL, Pilot's compartment (18355)	NP	A
	5208504	. . CANOPY INSTL, Pilot's compartment (18355)	NP	B, C
-54	5193143	. . TIE ASSY, Fus sta 123, upper cross (18355)	1	
-55	5123521	. . FRAME ASSY, Fus sta 178.175 (18355)	1	
-56	5125636	. . TIE ASSY, Upper aft fus cross (18355)	1	
-57	26-9542-1	. . BRACKET, Oxygen pressure and flow indicator, pilot's (drill on . . . installation)	1	
-58	26-9544-1	. . BRACKET, Oxygen pressure and flow indicator, co-pilot's (drill . . on installation)	1	
-59	26-1074-1	. . SHIELD, Torque tube, tunnel (drill on installation)	1	
-60	26-1060-1	. . BRACKET ASSY, Oxygen bunker and pressure gage, aft gunner's . . compartment (riveted) (drill on installation)	1	
	26-1037-1	. . GYRO RACK ASSY	1	
-61	26-1037-101	. . GYRO RACK ASSY, (Riveted) (ATTACHING PARTS)	1	
-62	26-1037-2	. . CLAMP	8	
-63	AN960-10	. . WASHER	8	
-64	AN-3-10	. . BOLT -----*	8	

FIG. AND INDEX NO.	PART NUMBER	DESCRIPTION	UNITS PER ASSY	USABLE ON CODE
132-65	26-1096-1	. ANGLE RACK, Gyro mounting, fwd	1	
-66	26-1095-1	. ANGLE RACK, Gyro mounting, aft	1	
		(ATTACHING PARTS)		
	AN362F1032	. NUT PLATE	4	
	AN960-10	. WASHER	4	
	AN3-10	. BOLT	4	
		-----*		
-67	26-1059-1	. BRACKET ASSY, Oxygen, aft gunner compartment (riveted)	1	
-68	26-10016-2L	. BRACKET, Camera mounting, LH	6	
	26-10016-2R	. BRACKET, Camera mounting, RH	6	
-69	26-10016-3L	. BRACKET, Camera mounting, LH	4	
	26-10016-3R	. BRACKET, Camera mounting, RH	4	
-70	26-10016-1L	. BRACKET, Camera mounting, LH	2	
	26-10016-1R	. BRACKET, Camera mounting, RH	2	
-71	26-10016-4L	. BRACKET, Camera mounting, LH	2	
	26-10016-4R	. BRACKET, Camera mounting, RH	2	
		(ATTACHING PARTS)		
	MS20365-1032	. NUT	58	
	AN3-3A	. BOLT	34	
	AN3-5A	. BOLT, (Used with 26-10016-3 only, upper attach hole)	12	
	NAS221-7	. SCREW, (Used with 26-10016-4 only)	6	
		-----*		
-72	26-1556-1	. FITTING, Quick disconnect, nose	2	
		(ATTACHING PARTS)		
	MS20365-1032A	. NUT	4	
	AN960-10L	. WASHER	4	
	AN3-6A	. BOLT	4	
		-----*		
-73	26-1102-1	. FITTING, Quick disconnect, nose	1	
-74	26-1101-1	. FITTING, Quick disconnect, nose	1	
		(ATTACHING PARTS)		
	MS20365-1032A	. NUT	4	
	AN960-10	. WASHER	4	
	AN960-10L	. WASHER	4	
	AN3-6A	. BOLT	4	
		-----*		
-75	26-1555-1	. RETAINER	1	
		(ATTACHING PARTS)		
	AN315-428A	. NUT	2	
	AN960-416	. WASHER	2	
	AN4-12A	. BOLT	2	
		-----*		
-76	26-1553-1	. SPACER	1	
-77	26-1555-2	. RETAINER	1	
		(ATTACHING PARTS)		
	AN315-428A	. NUT	2	
	AN960-416	. WASHER	2	
	AN4-12A	. BOLT	2	
		-----*		
-78	26-1554-1	. SPACER	1	
-79	Z1835-070	. NUT	2	
		A - USAF 17640 thru 17650, 17656 thru 17658, 17660 thru 17662, 17664, 17666, 17667, 17670 thru 17672 and 17678		
		B - USAF 17651 thru 17655, 17659, 17663, 17665, 17669, 17673 thru 17677 and 17679		
		C - USAF 17668 only		

Section II
Group Assembly Parts List

T.O. 1B-26K-4

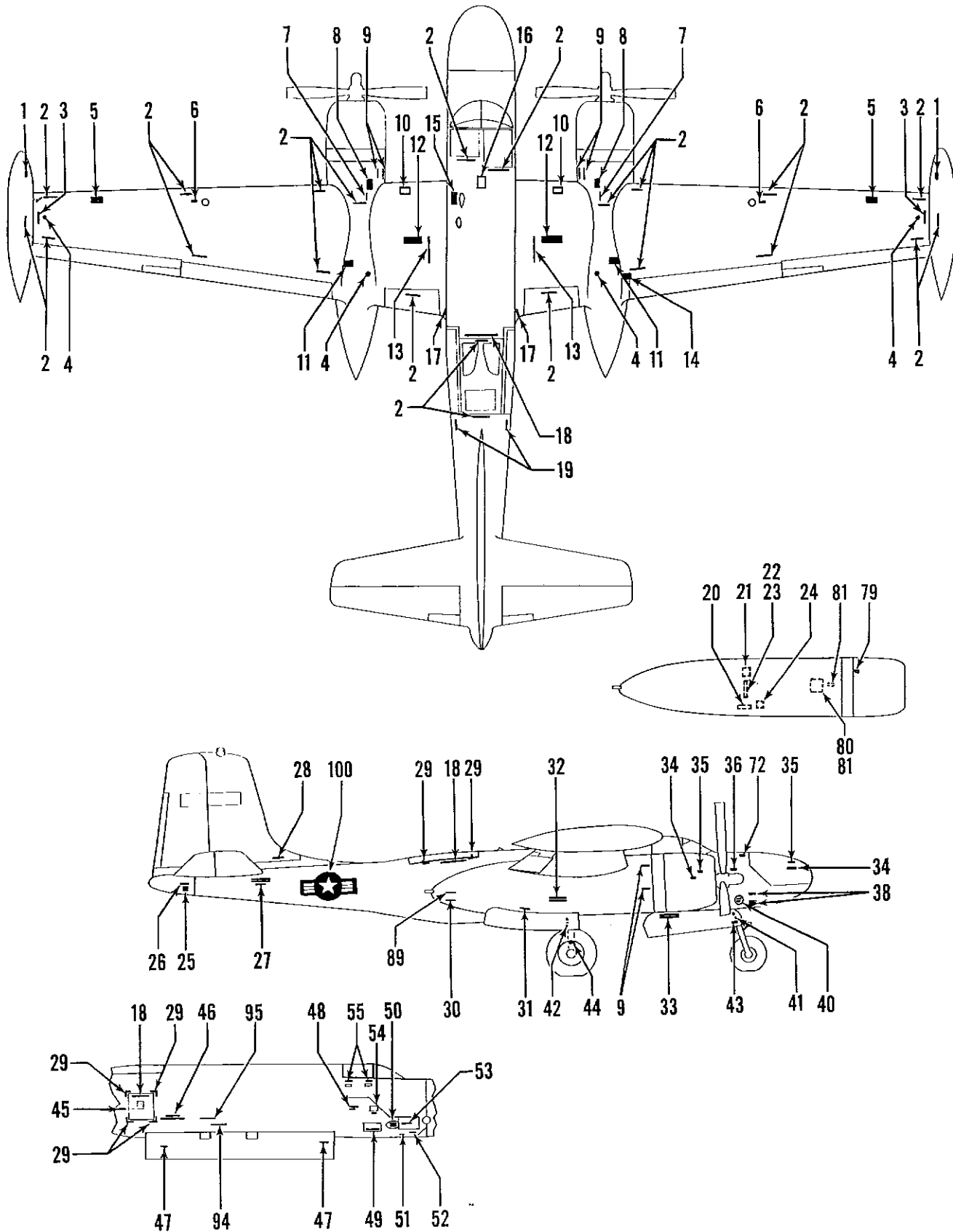


Figure 133. B-26K External Markings Installation (Sheet 1 of 2)

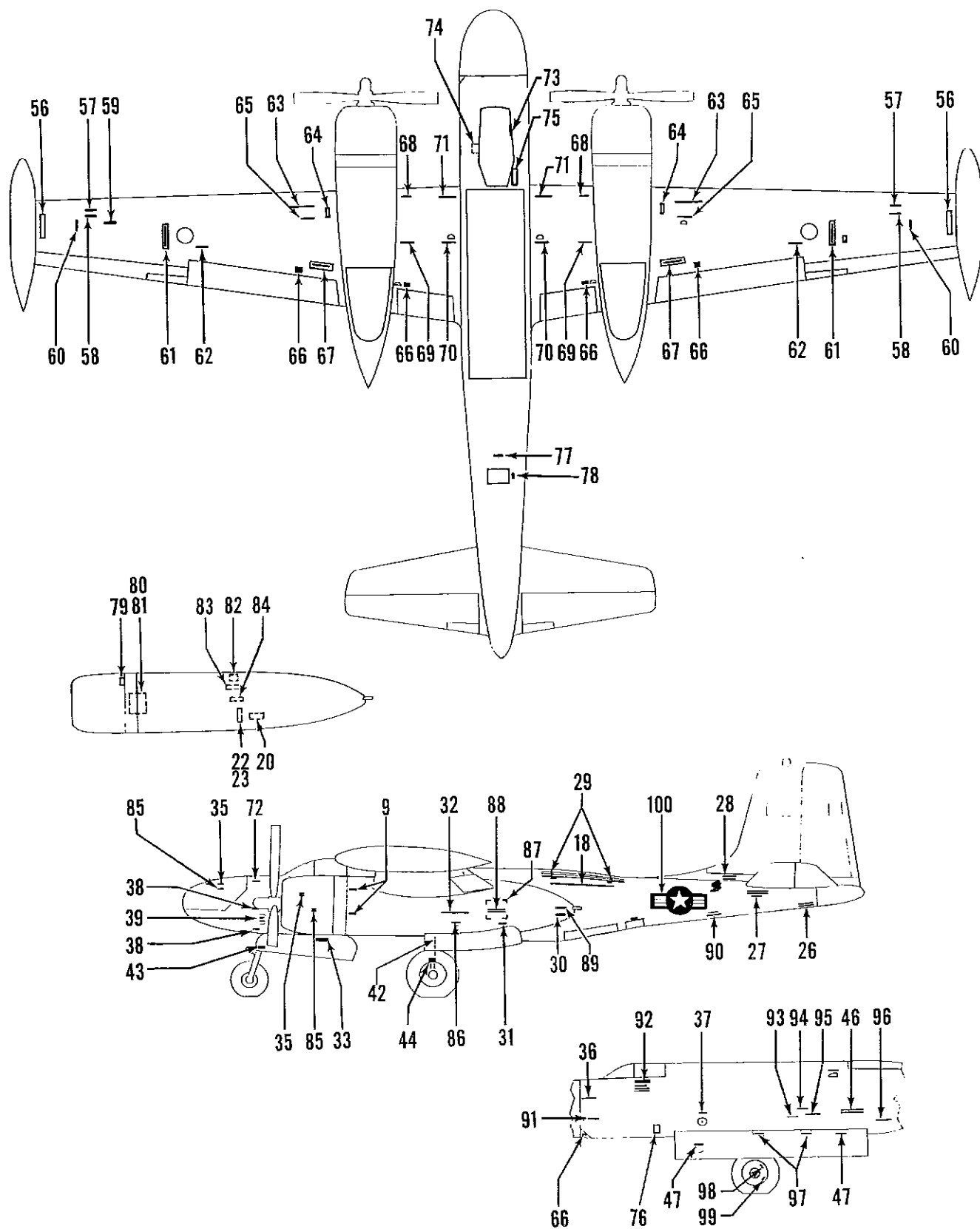


Figure 133. B-26K External Markings Installation (Sheet 2 of 2)

Section II
Group Assembly Parts List

T.O. 1B-26K-4

FIG. AND INDEX NO.	PART NUMBER	DESCRIPTION	UNITS PER ASSY	USABLE ON CODE
133-	26-9350	MARKINGS INSTL, External, B-26K (for NHA see fig. 2)	REF	
-1	B26-005-017	. DECAL, Identification, adhesive (06327) (wing tip fuel tank)	2	
-2	B26COM031	. DECAL, Identification, adhesive (06327) (no step)	22	
-3	B26-005-015	. DECAL, Identification, adhesive (06327) (tip tank removal caution).	2	
-4	STDCOM008	. DECAL, Identification, adhesive (06327) (ground here)	4	
-5	B26-005-014	. DECAL, Identification, adhesive (06327) (adi tank)	2	
-6	B26-005-013	. DECAL, Identification, adhesive (06327) (wing hoist)	2	
-7	B26-005-007	. DECAL, Identification, adhesive (06327) (oil heater)	2	
-8	B26-005-005	. DECAL, Identification, adhesive (06327) (oil tank)	2	
-9	B26-006-005	. DECAL, Identification, adhesive (06327) (engine mount bolts)	8	
-10	B26-005-004	. DECAL, Identification, adhesive (06327) (aux fuel tank)	2	
-11	B26-005-003	. DECAL, Identification, adhesive (06327) (main fuel tank)	2	
-12	B26-005-002	. DECAL, Identification, adhesive (06327) (wing screw removal caution)	2	
-13	B26-005-001	. DECAL, Identification, adhesive (06327) (wing removal caution)	2	
-14	B26-005-006	. DECAL, Identification, adhesive (06327) (windshield anti-ice tank)	1	
-15	B26-003-002	. DECAL, Identification, adhesive (06327) (bomb bay fuel tank)	1	
-16	B26-003-001	. DECAL, Identification, adhesive (06327) (bomb hoist access)	1	
-17	B26-003-003	. DECAL, Identification, adhesive (06327) (bomb bay vent)	2	
-18	B26COM025	. DECAL, Identification, adhesive (06327) (emergency rescue)	4	
-19	B26-003-004	. DECAL, Identification, adhesive (06327) (hoist fitting caution)	2	
-20	B26-008-011	. DECAL, Identification, adhesive (06327) (battery jar)	2	
-21	B26-008-013	. DECAL, Identification, adhesive (06327) (windshield & carb., anti-ice tank)	1	
-22	B26-008-014	. DECAL, Identification, adhesive (06327) (nacelle door adjustment)	2	
-23	B26-008-010	. DECAL, Identification, adhesive (06327) (battery)	2	
-24	B26-008-112	. DECAL, Identification, adhesive (06327) (air filler valve)	1	
-25	26-9350-9	. DECAL, Identification, adhesive (06327) (redesigned by on mark)	1	
-26	B26COM027	. DECAL, Identification, adhesive (06327) (mooring ring)	2	
-27	B26COM029	. DECAL, Identification, adhesive (06327) (stabilizer removal caution)	2	
-28	B26COM028	. DECAL, Identification, adhesive (06327) (tail section removal caution)	2	
-29	STDCOM020	. DECAL, Identification, adhesive (06327) (fuselage)	6	
-30	B26-006-011	. DECAL, Identification, adhesive (06327) (fuel vent)	2	
-31	B26-006-010	. DECAL, Identification, adhesive (06327) (battery drain)	2	
-32	B26-006-006	. DECAL, Identification, adhesive (06327) (battery location)	2	
-33	B26COM017	. DECAL, Identification, adhesive (06327) (fire extinguisher)	2	
-34	B26COM030	. DECAL, Identification, adhesive (06327) (cowling fastener)	2	
-35	B26COM010	. DECAL, Identification, adhesive (06327) (fastener lock)	4	
-36	B26COM012	. DECAL, Identification, adhesive (06327) (nose section removal caution)	2	
-37	B26-001-005	. DECAL, Identification, adhesive (06327) (fuel overflow)	1	
-38	B26COM014	. DECAL, Identification, adhesive (06327) (nose section bolts)	4	
-39	B26-001-002	. DECAL, Identification, adhesive (06327) (jack point)	1	
-40	B26-002-001	. DECAL, Identification, adhesive (06327) (hoist fitting)	1	
-41	B26-007-001	. DECAL, Identification, adhesive (06327) (towing caution)	1	
-42	B26COM033	. DECAL, Identification, adhesive (06327) (packing)	2	
-43	B26COM016	. DECAL, Identification, adhesive (06327) (towing caution)	2	
-44	B26-008-005	. DECAL, Identification, adhesive (06327) (tow here)	2	
-45	B26-002-011	. DECAL, Identification, adhesive (06327) (open/closed)	1	
-46	B26COM024	. DECAL, Identification, adhesive (06327) (battery location)	2	
-47	B26COM020	. DECAL, Identification, adhesive (06327) (bomb bay vent)	4	
-48	B26-002-006	. DECAL, Identification, adhesive (06327) (ladder release)	1	
-49	B26-002-007	. DECAL, Identification, adhesive (06327) (use right foot first)	1	
-50	B26-002-003	. DECAL, Identification, adhesive (06327) (no step)	1	
-51	B26-002-005	. DECAL, Identification, adhesive (06327) (heater drain)	1	
-52	B26-002-004	. DECAL, Identification, adhesive (06327) (heater exhaust)	1	
-53	B26-002-002	. DECAL, Identification, adhesive (06327) (heater access)	1	
-54	B26-002-008	. DECAL, Identification, adhesive (06327) (step)	1	
-55	B26-002-009	. DECAL, Identification, adhesive (06327) (hand hold)	2	
-56	B26-006-023	. DECAL, Identification, adhesive (06327) (tip tank removal)	2	
-57	B26-006-021	. DECAL, Identification, adhesive (06327) (adi vent)	2	
-58	B26-006-022	. DECAL, Identification, adhesive (06327) (adi scupper drain)	2	
-59	B26-006-024	. DECAL, Identification, adhesive (06327) (valve compass caution)	1	
-60	B26-006-020	. DECAL, Identification, adhesive (06327) (adi sump drain)	2	
-61	B26-006-019	. DECAL, Identification, adhesive (06327) (aileron differential)	2	
-62	B26-006-018	. DECAL, Identification, adhesive (06327) (moor)	2	
-63	B26-006-014	. DECAL, Identification, adhesive (06327) (oil cooler access plate)	2	
-64	B26-006-012	. DECAL, Identification, adhesive (06327) (oil cooler hose connect)	2	

FIG. AND INDEX NO.	PART NUMBER	DESCRIPTION	UNITS PER ASSY	USABLE ON CODE
133-65	B26-006-013	. DECAL, Identification, adhesive (06327) (oil cooler drain)	2	
-66	B26COM015	. DECAL, Identification, adhesive (06327) (jack point)	5	
-67	B26-006-015	. DECAL, Identification, adhesive (06327) (oil cooler door)	2	
-68	B26-006-003	. DECAL, Identification, adhesive (06327) (fuel vent)	2	
-69	B26-006-004	. DECAL, Identification, adhesive (06327) (scupper drain)	2	
-70	B26-006-002	. DECAL, Identification, adhesive (06327) (fuel tank drain)	2	
-71	B26-006-001	. DECAL, Identification, adhesive (06327) (wing removal caution)	2	
-72	B26COM013	. DECAL, Identification, adhesive (06327) (nose section bolts)	2	
-73	B26-007-002	. DECAL, Identification, adhesive (06327) (armament ground override) . .	1	
-74	B26-007-005	. DECAL, Identification, adhesive (06327) (nose wheel well j-box)	1	
-75	B26-007-006	. DECAL, Identification, adhesive (06327) (ign j-box)	1	
-76	STDCOM072	. DECAL, Identification, adhesive (06327) (cover removal warning)	1	
-77	B26-001-012	. DECAL, Identification, adhesive (06327) (P2 camera screws)	1	
-78	B26-001-009	. DECAL, Identification, adhesive (06327) (oxygen filler)	1	
-79	B26COM002	. DECAL, Identification, adhesive (06327) (ignition plug caution)	2	
-80	B26-008-001	. DECAL, Identification, adhesive (06327) (firewall j-box warning)	2	
-81	B26-008-002	. DECAL, Identification, adhesive (06327) (cowl flap brk)	2	
-82	B26-008-006	. DECAL, Identification, adhesive (06327) (main wheel j-box warning) . . .	2	
-83	STDCOM041	. DECAL, Identification, adhesive (06327) (fluid line identical colors) . .	2	
-84	B26-008-007	. DECAL, Identification, adhesive (06327) (circuit breakers)	2	
-85	B26COM011	. DECAL, Identification, adhesive (06327) (cowling fastener)	2	
-86	B26-006-009	. DECAL, Identification, adhesive (06327) (external power 24 volts)	1	
-87	B26-006-008	. DECAL, Identification, adhesive (06327) (fuselage)	4	
-88	B26-006-007	. DECAL, Identification, adhesive (06327) (battery disconnect)	1	
-89	NO NUMBER	. DECAL, Identification, adhesive (06327) (oil vent)	2	
-90	B26-001-026	. DECAL, Identification, adhesive (06327) (static port)	1	
-91	B26-001-003	. DECAL, Identification, adhesive (06327) (free air temp bulb)	1	
-92	B26-001-004	. DECAL, Identification, adhesive (06327) (U.S. Air Force B-26K)	1	
-93	B26COM021	. DECAL, Identification, adhesive (06327) (scupper drain)	1	
-94	B26COM023	. DECAL, Identification, adhesive (06327) (leveling lugs inside)	2	
-95	B26-001-022	. DECAL, Identification, adhesive (06327) (booster pump drain)	2	
-96	B26-001-017	. DECAL, Identification, adhesive (06327) (relief tube drain)	1	
-97	B26-001-006	. DECAL, Identification, adhesive (06327) (bomb hoist access)	2	
-98	B26-008-003	. DECAL, Identification, adhesive (06327) (renew lining)	2	
-99	B26-008-004	. DECAL, Identification, adhesive (06327) (brake caution)	2	
-100	26-9350-7	. . DECAL, Identification, adhesive (06327) (national insignia)	2	

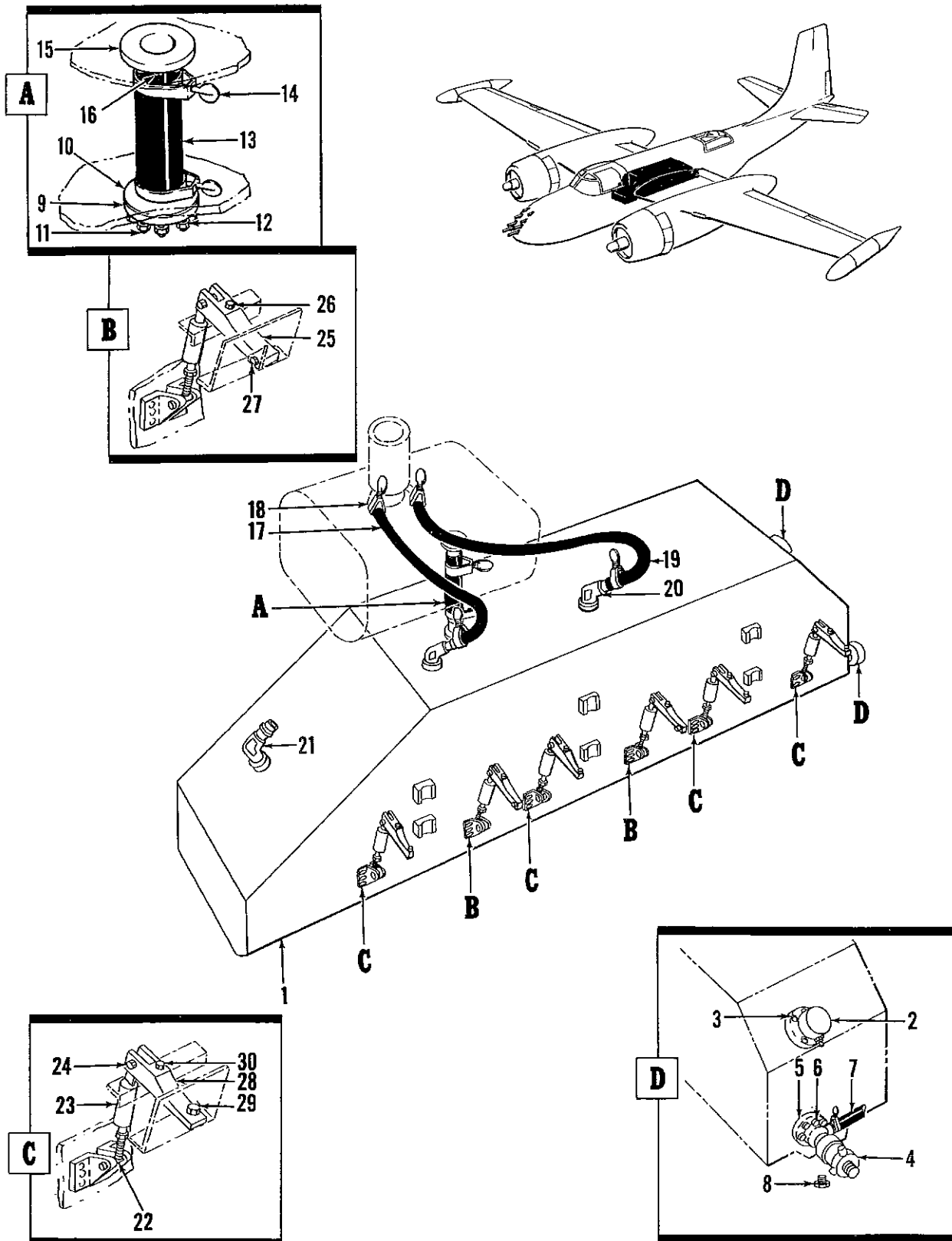


Figure 134. Bomb Bay Ferry Tank Installation

FIG. AND INDEX NO.	PART NUMBER	DESCRIPTION	UNITS PER ASSY	USABLE ON CODE
134-	5202252	TANK INSTL, Bomb bay ferry (18355) (for NHA see fig. 2)	REF	
-1	5191177	. SHELL ASSY, Bomb bay ferry tank (18355) (Alt 5275994) (18355)	1	
-2	8TJ17ADM	. TRANSMITTER ASSY, Fuel level (24446) (for details see T.O. 5L6-4-2-14)	1	
-3	AN503-10-16	. SCREW	5	
	AN503-10-20	. SCREW (Used with 5275994)	5	
-4	TF12100-1	. PUMP ASSY, Variable pressure booster (59875) (for details see T.O. 6R5-2-45-4)	1	
-5	2126546	. GASKET, Ferry tank fuel pump (18355)	2	
-6	AN73A4	. BOLT	7	
	AN73A6	. BOLT (Used with 5275994)	7	
	1206643	. STUD, Ferry fuel booster pump mounting (18355)	1	
	1206643-500	. STUD, Ferry fuel booster pump mounting (used with 5275994) (18355)	1	
	AN310-3	. NUT	1	
	AN960-10	. WASHER	8	
-7	4127510-26	. HOSE, Rubber (18355)	1	
	AN737TW48-56	. CLAMP	2	
-8	TFA12154	. PLUG, Vent (59875)	1	
	2193685	. COLLAR ASSY, Ferry tank lower inlet (18355)	1	
-9	2193685-2	. COLLAR, Ferry tank inlet (18355)	1	
-10	1193866	. RING, Ferry tank inlet collar (18355)	1	
-11	1193867	. STUD, Ferry tank inlet collar (18355)	8	
-12	MS20365-428	. NUT	8	
-13	4206575	. CONNECTOR, Flexible, bomb bay tank to ferry tank (18355)	1	
-14	AN737TW107-114	. CLAMP	2	
-15	2202248	. CONNECTOR ASSY, Bomb bay ferry tank (18355)	1	
-16	AN500A10-16	. SCREW	7	
-17	AN884-12	. HOSE	1	
-18	AN737TW34-38	. CLAMP	4	
-19	AN884-12	. HOSE	1	
-20	AN844-12	. ELBOW	2	
-21	AN842-16	. ELBOW	1	
-22	1203299	. TRUNNION, Bomb bay ferry tank support (used with 5191177) (18355)	12	
-23	4203320	. MOUNT ASSY, Bomb bay ferry tank shock (altered from 4M792) (Pacific Railway, Los Angeles, Calif)(used with 5191177)(18355)	12	
	2276042	. MOUNT ASSY, Shock (used with 5275994) (18355) (ATTACHING PARTS)	12	
	MS20365-524	. NUT	1	
	AN960D516	. WASHER	1	
-24	AN5-12A	. BOLT -----*	1	
-25	1204740	. HOOK, Bomb bay ferry tank (18355) (ATTACHING PARTS)	4	
	MS20365-428	. NUT	2	
	AN960D416	. WASHER	2	
-26	AN4-17A	. BOLT (one used at sta 133)	2	
	AN4-21A	. BOLT (used at sta 133)	1	
-27	AN4-13A	. BOLT -----*	2	
-28	2193684	. HOOK, Bomb bay ferry tank (18355)	8	
	MS20365-428	. NUT	4	
	AN960D416	. WASHER (ATTACHING PARTS)	4	
-29	AN4-13A	. BOLT (used at sta 166 and 240)	4	
	AN4-21A	. BOLT (used at sta 115 and 213)	1	
	AN4-27A	. BOLT (used at sta 115 and 213)	3	
-30	AN4-13A	. BOLT (used at sta 115 and 213)	4	
	AN4-17A	. BOLT (used at sta 166 and 240)	3	
	AN4-21A	. BOLT (used at sta 166 and 240) -----*	1	

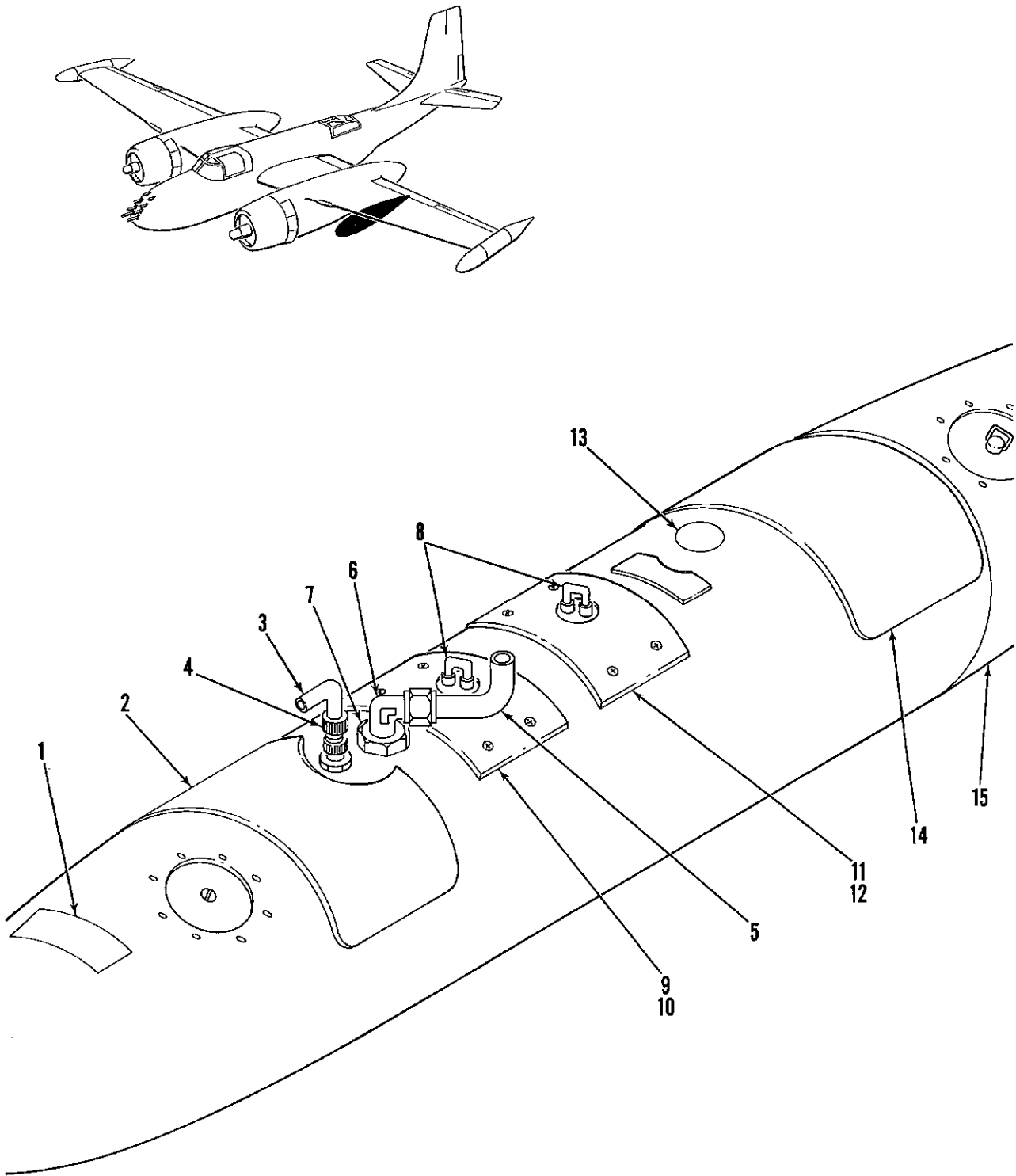


Figure 135. Modified B-26 Aircraft External Removable Fuel Tank

FIG. AND INDEX NO.	PART NUMBER	DESCRIPTION 1 2 3 4 5 6 7	UNITS PER ASSY	USABLE ON CODE
135-	63H31618-20	FUEL TANK, Modified B-26 aircraft external removable, 230 gallon, type IV (install in pairs) (for NHA see fig. 2)	REF	
	63H31618-40	FUEL TANK, Modified B-26 aircraft external removable, 230 gallon, type IV (install in pairs) (for NHA see fig. 2)	REF	
-1	65C30684-2	. DECAL, B-26 aircraft external fuel tank (used on 63H31618-20) . . .	1	
	65C30684-4	. DECAL, B-26 aircraft external fuel tank (used on 63H31618-40) . . .	1	
-2	63H31618-3	. PAD	1	
-3	63H31618-6	. TUBE, Ram air	1	
-4	63H31618-11	. HOSE	1	
	AN737TW3-8	. CLAMP	2	
-5	63H31618-8	. TUBE ASSY, Fuel	1	
	AN818-16D	. . NUT	1	
	MS20819-16D	. . SLEEVE	1	
-6	MS20822-12-16D	. ELBOW	1	
-7	65C30692	. FITTING, Modified B-26 aircraft external removable 230 gallon Type IV fuel tank short (used on 63H31618-20)	1	
	65D30693	. FITTING, Modified B-26 aircraft external removable 230 gallon type IV fuel tank long (used on 63H31618-40)	1	
-8	102518-3	. HOOK (96483) (Used on 63H31618-20)	2	
	T4-23-225-0271	. HOOK (72429) (Used on 63H31618-40)	2	
-9	63H31618-12	. PAD (USED ON 63H31618-20)	1	
	63H31618-13	. PAD (USED ON 63H31618-40) (ATTACHING PARTS)	1	
	MS20365-524A	. NUT	4	
	AN960-516	. WASHER	4	
	AN123861	. PACKING	4	
	NAS335CPA10	. SCREW	4	
		-----*		
-10	63H31618-15	. GASKET, (Used on 63H31618-20)	1	
	63H31618-16	. GASKET, (Used on 63H31618-40)	1	
-11	63H31618-9	. PAD, (Used on 63H31618-20)	1	
	63H31618-13	. PAD, (Used on 63H31618-40) (ATTACHING PARTS)	1	
	MS20365-524A	. NUT	4	
	AN960-516	. WASHER	4	
	AN123861	. PACKING	4	
	NAS335CPA10	. SCREW	4	
		-----*		
-12	63H31618-14	. GASKET, (Used on 63H31618-20)	1	
	63H31618-16	. GASKET, (Used on 63H31618-40)	1	
-13	63H31618-18	. COVER (Welded) (Used on 63H31618-20)	1	
	63H31618-17	. COVER (Welded) (Used on 63H31618-40)	1	
-14	63H31618-4	. PAD	1	
-15	L-1073-500	. TANK, External removable 230 gallon type IV fuel (96483) (for details see T. O. 6J14-2-4-203) (Used on 63H31618-20)	1	
	T4-23-225-4800A	. TANK, External removable 230 gallon type IV fuel (72429) (for details see T. O. 6J14-2-4-113) (used on 63H31618-40)	1	

Section II
Group Assembly Parts List

T.O. 1B-26K-4

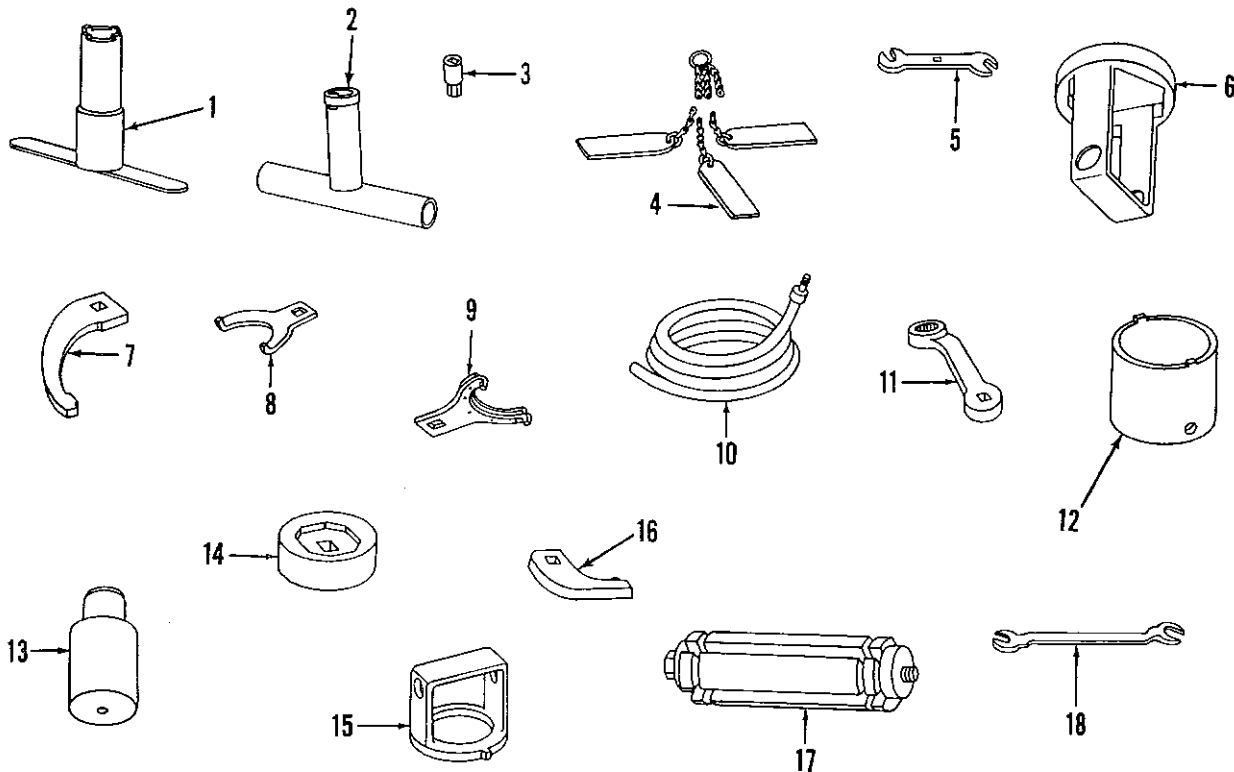


Figure 136. Special Service Tools

FIG. AND INDEX NO.	PART NUMBER	DESCRIPTION	UNITS PER ASSY	USABLE ON CODE		
					1	2
136-		SPECIAL SERVICE TOOLS				
-1	26-7271-1	WRENCH, Skid detector spanner				
-2	26-6015-1	TOOL, Tip tank booster pump nut				
	K33801	KIT ASSY, Operational squadron tool (18355)		A		
	K34001	KIT ASSY, Service squadron tool (18355)		B		
	K34201	KIT ASSY, Major overhaul tool (18355)		C		
-3	K22220	ADAPTER, Internal wrenching nut 5/16-in. (18355)		B, C		
	K22221	ADAPTER, Internal wrenching nut 3/8-in. (18355)		B, C		
	K22222	ADAPTER, Internal wrenching nut 1/2-in. (18355)		B, C		
	K22224	ADAPTER, Internal wrenching nut 5/8-in. (18355)		B, C		
	K22225	ADAPTER, Internal wrenching nut 11/16-in. (18355)		B, C		
	K22228	ADAPTER, Internal wrenching nut 7/8-in. (18355)		B, C		
-4	K22908	GAGE, Brake plate spacer (18355)		A, C		
-5	K23302	WRENCH, Propeller governor (18355)		A-C		
-6	K24305	WRENCH, Main and nose gear axle nut (18355)		A-C		
-7	K26418	WRENCH, Lock nut bomb door rear actuating cylinder spanner (18355)		A-C		
	K26419	WRENCH, Lock nut nose wheel door actuating cylinder spanner (18355)		B, C		
	K26420	WRENCH, Lock nut bomb door forward actuating cylinder spanner (18355)		B, C		
	K26421	WRENCH, Lock nut nose wheel snubber spanner (18355)		B, C		
	K26422	WRENCH, Lock nut nose wheel actuating cylinder spanner (18355)		B, C		
	K26423	WRENCH, Main oleo packing nut spanner (18355)		A-C		
	K26424	WRENCH, Shimmy damp yoke nut nose spanner wheel gear (18355)		A-C		
	K26427	WRENCH, Lock nut main wheel actuating cylinder (18355)		B, C		
	K26428	WRENCH, Wing flap gear box spanner (18355)		B, C		
-8	K27704	WRENCH, Nose oleo platon head spanner (18355)		B, C		
	K27705	WRENCH, Main landing gear piston head spanner (18355)		B, C		

FIG. AND INDEX NO.	PART NUMBER	DESCRIPTION	UNITS PER ASSY	USABLE ON CODE
136-	K27706	. . WRENCH, Main landing gear cross tube packing nut spanner (18355)		B, C
-9	K27707	. . WRENCH, Nose oleo packing nut spanner (18355)		A-C
	K39701	. . WRENCH, Bearing stop nut nose oleo (18355)		A-C
-10	K32002	. . ADAPTER, Hydraulic wheel brake bleeding (18355)		A-C
-11	K33101	. . WRENCH, Engine mount bolts (18355)		A-C
-12	K33301	. . WRENCH, Main landing gear plunger nut spanner (18355)		B, C
-13	K33401	. . PIN, Wing joint alignment (18355)		B, C
	K33402	. . PIN, Wing joint alignment (18355)		B, C
-14	K33501	. . WRENCH, 37 MM cannon recuperator adapter (18355)		A-C
-15	K33601	. . WRENCH, Accumulator (18355)		A-C
-16	K33701	. . WRENCH, Control column gap spanner (18355)		A-C
-17	K34401	. . PIN, Expansion alignment wing to fuselage rear spar (18355)		B, C
	K34402	. . PIN, Expansion alignment wing to fuselage front spar upper (18355)		B, C
	K34403	. . PIN, Expansion alignment wing to fuselage front spar lower (18355)		B, C
-18	K35507	. . WRENCH, Double offset open end 11/16 by 3/4-in. (18355)		A-C
	K35509	. . WRENCH, Double offset open end 13/16 by 7/8-in. (18355)		A-C
	K35511	. . WRENCH, Double offset open end 15/16 by 1-in. (18355)		A-C
	K35513	. . WRENCH, Double offset open end 1-11/16 by 1-1/8 in. (18355)		A-C
	K35515	. . WRENCH, Double offset open end 1-3/16 by 1-1/4 in. (18355)		A-C
	K35517	. . WRENCH, Double offset open end 1-3/16 by 1-3/8 in. (18355)		A-C
	K35519	. . WRENCH, Double offset open end 1-7/16 by 1-1/2 in. (18355)		A-C
	K35521	. . WRENCH, Double offset open end 1-9/16 by 1-5/8 in. (18355)		A-C
	K35523	. . WRENCH, Double offset open end 1-11/16 by 1-3/4 in. (18355)		A-C
	K35525	. . WRENCH, Double offset open end 1-13/16 by 1-7/8 in. (18355)		A-C
	K35527	. . WRENCH, Double offset open end 1-15/16 by 2 in. (18355)		A-C
		A - Designates tools contained in operation squadron tool kit.		
		B - Designates tools contained in service squadron tool kit.		
		C - Designates tools contained in major overhaul tool kit.		

**SECTION III
NUMERICAL INDEX**

PART NUMBER	FIGURE & INDEX NUMBER	QTY PER ART.	SOURCE CODE	REPAIR CODE	PART NUMBER	FIGURE & INDEX NUMBER	QTY PER ART.	SOURCE CODE	REPAIR CODE	PART NUMBER	FIGURE & INDEX NUMBER	QTY PER ART.	SOURCE CODE	REPAIR CODE
AB-340/ARC	99-37	1			AN227-8B	107-24	10			AN24-22	75-4	2		
AB620					AN229-3BS120-II	99-	2			AN24-23	67-50	2		
AB620A/AR	56-28	1			AN23-10	20-48	15			AN24-24	75-5	1		
AES	81-	2			AN23-11	74-20	13			AN24-25	64-8	2		
AE4	59-33	4			AN23-11A	6-17	12			AN24-26	24-105	5		
AE5					AN23-12	67-65	5			AN24-27	58-54	5		
AE82	83-10	1			AN23-13	64-85	18			AN24-28	13-80	17		
AF45-348574	55-31	1			AN23-13A	61-31	5			AN24-28A	126-76	1		
AIM					AN23-14	67-19	5			AN24-284				
AIM500					AN23-14A					AN24-29	19-28	6		
AJ3-40	103-24	4			AN23-15	75-31	4			AN24-30	64-48	1		
AMFS1KDD7					AN23-16	60-20	16			AN24-31	59-32	5		
ANA1	45-13	1			AN23-16A					AN24-36	66-15	9		
ANGLE	51-8	6			AN23-17	24-15	23			AN24-38	76-91	1		
ANL150	37-13	3			AN23-17A	74-28	1			AN24-42	67-73	1		
ANL175	37-42	6			AN23-18	58-23	4			AN24-44	64-68	3		
AN1-14					AN23-19	60-7	11			AN24-44A	81-84	2		
AN10-26	83-51	2			AN23-20	75-38	10			AN24-46	64-69	1		
AN10-43	125-28	1			AN23-21	64-66	5			AN24-47	114-68	4		
AN10-62	98-43	1			AN23-22	60-11	6			AN24-48	13-79	6		
AN12-26	109-3	8			AN23-23	58-18	5			AN24-48A	81-86	4		
AN12-73A	3-6	4			AN23-24	60-8	5			AN24-52	64-70	1		
AN12-74A	3-11	2			AN23-24A	64-61	1			AN24-54	64-25	1		
AN123861	135-	16			AN23-25	57-26	3			AN24-56	9-52	5		
AN155-16L	60-115	6			AN23-26	60-25	8			AN24-58	64-16	1		
AN155-32S	66-37	7			AN23-27	74-75	1			AN25-12	132-7	12		
AN173-26	121-2	16			AN23-28	74-42	2			AN25-16	109-33	2		
AN174C11	117-18	12			AN23-28A	86-43	2			AN25-25	59-44	4		
AN175C26	118-21	1			AN23-29	61-28	4			AN25-30	19-33	4		
AN175C27	118-20	2			AN23-30	58-42	4			AN25-31	81-95	2		
AN176-31A	118-17	7			AN23-31	67-15	1			AN25-36A	132-6	6		
AN200KP4	75-48	2			AN23-32	74-30	4			AN25-54	66-16	5		
AN200KS3	67-	2			AN23-34	58-30	12			AN25-56	76-27	1		
AN200KS5	66-9	8			AN23-36	57-31	12			AN253-3-12	70-48	2		
AN200K3	117-37	2			AN23-38	58-57	2			AN2552-3A	35-34	1		
AN200K3L	114-74	10			AN23-40	61-33	1			AN257P5-350	99-1	6		
AN200K5	59-38	4			AN23-42	60-106	3			AN257XC4	70-50	2		
AN201K16A	13-90	4			AN23-46	74-118	3			AN257YC4	70-49	2		
AN201K4A	66-18	9			AN23-50	84-19	1			AN26-17	59-3	1		
AN201K6A	66-57	4			AN23-54	124-1	4			AN26-21	65-16	2		
AN201K8A	65-42	4			AN23-57	74-14	6			AN26-23	83-2	1		
AN207D3	59-	6			AN23-64	74-112	1			AN26-23				
AN207D5	76-18	6			AN23-8A	101-57	2			AN26-25	66-	4		
AN207D6	117-5	2			AN23-9	60-120	12			AN26-27	69-22	3		
AN207D8	117-49	1			AN23-9A	101-56	2			AN26-28	19-39	4		
AN210-1A	57-30	53			AN24-11A	62-34	4			AN26-29	69-23	5		
AN210-1B	60-56	2			AN24-13	114-2	2			AN26-30	58-10	2		
AN210-2A	57-22	211			AN24-14	59-37	8			AN26-31	83-33	1		
AN210-2B	60-48	2			AN24-14A	86-	8			AN26-34	59-15	2		
AN210-3A	58-48	15			AN24-15	65-7	5			AN26-36	65-70	2		
AN210-3B	66-62	4			AN24-16	118-57	1			AN26-40	58-11	2		
AN210-4A	64-7	21			AN24-18	114-99	6			AN26-44	58-37	4		
AN210-4B	66-69	4			AN24-18A	129-21	1			AN26-46				
AN210-5A	59-2	6			AN24-19	24-16	8			AN26-49	115-59	1		
AN210-6A	58-9	14			AN24-20	64-87	4			AN26-50	114-57	5		
AN227-4	86-25	36			AN24-20A	129-18	1			AN26-52	126-39	1		
AN227-5B	51-44	8			AN24-21	66-10	11			AN27-21	114-66	4		

**Section III
Numerical Index**

T.O. 1B-26K-4

PART NUMBER	FIGURE & INDEX NUMBER	QTY PER ART.	SOURCE CODE	REPAIR CODE	PART NUMBER	FIGURE & INDEX NUMBER	QTY PER ART.	SOURCE CODE	REPAIR CODE	PART NUMBER	FIGURE & INDEX NUMBER	QTY PER ART.	SOURCE CODE	REPAIR CODE
AN27-23	114-72	6			AN3063-4	54-17	4			AN365-1032	14-	5		
AN27-25	115-61	2			AN3064-10	47-24	1			AN365-428	14-	7		
AN27-26	83-3	1			AN3064-12	37-37	2			AN365-524	14-	8		
AN27-27	24-58	2			AN3064-16	37-39	2			AN380-2-2	59-	4		
AN27-30	19-21	2			AN3064-20	37-35	2			AN380-4-5	2-	2		
AN27-32	24-59	2			AN3064-4	54-18	2			AN385H10P10	82-44	8		
AN28-24	81-90	6			AN3064-6	47-22	2			AN386-1-10	70-33	3		
AN28-42	19-24	6			AN3066-10	47-23	1			AN386-1-12	70-27	1		
AN28-46	81-65	2			AN3066-12	37-36	2			AN386-1-18A	65-30	1		
AN28-48	66-	3			AN3066-16	37-38	2			AN386-1-20A	65-28	4		
AN28-66	114-100	2			AN3066-20	37-34	2			AN386-1-22A	67-	2		
AN280-404	101-6	1			AN3066-4	54-	6			AN386-1-8	70-34	1		
AN3-10	61-3	24			AN3066-6	47-21	2			AN386-1-8A	68-6	3		
AN3-10A	58-27	78			AN309-10R8	72-	2			AN386-1-84				
AN3-11	61-4	10			AN3092-2	34-8	2			AN386-1-9A	68-49	1		
AN3-11A	6-11	42			AN3092-3	34-7	2			AN386-2-17A	66-46	6		
AN3-12	32-8	38			AN3095-6A	35-46	2			AN386-2-20A				
AN3-12A	57-15	8			AN310-10	83-	5			AN386-2-22A				
AN3-13	68-16	3			AN310-12	96-	10			AN386-3-11A	25-8	4		
AN3-13A	6-11	83			AN310-3	51-	112			AN386-3-12A	25-9	4		
AN3-14	57-21	3			AN310-4	9-49	74			AN386-3-20A	69-33	1		
AN3-14A	61-93	8			AN310-5	13-26	39			AN386-4-22A	66-55	5		
AN3-15A	17-6	54			AN310-6	65-24	10			AN386-4-26A	69-32	3		
AN3-16	126-34	1			AN310-7	81-31	4			AN392-21	66-64	4		
AN3-16A	129-4	8			AN310-7A	64-78	6			AN392-25	66-71	4		
AN3-17A	17-11	3			AN310-8	2-	27			AN393-13	91-16	1		
AN3-19A					AN310D4	123-	2			AN393-19	129-96	7		
AN3-20A	64-64	20			AN3101C18-8P			P1	S	AN393-23	129-61	4		
AN3-21A	119-7	3			AN3106-18-12S			P1	S	AN393-25	91-14	1		
AN3-22A	17-	4			AN3106-18-8P			P1	S	AN393-27	90-72	2		
AN3-23A	121-15	3			AN3115-1	100-18	1			AN393-43	91-40	2		
AN3-24A	61-92	7			AN315-10	35-	2			AN393-47	91-21	2		
AN3-25A	53-	2			AN315-10R	96-	4			AN394-27	129-33	1		
AN3-26A	26-66	4			AN315-3R	23-26	15			AN395-61	91-23	2		
AN3-27	60-80	1			AN315-4	99-41	4			AN4-10				
AN3-3A	32-11	62			AN315-4R	51-40	9			AN4-10A	9-69	72		
AN3-31A	26-	4			AN315-428A	132-	4			AN4-11	113-1	2		
AN3-33	8-	9			AN315-6R	59-30	6			AN4-11A	60-104	40		
AN3-34A	8-	6			AN315-BR	86-7	2			AN4-12	113-2	6		
AN3-4	8-	48			AN3150-2	36-14	2			AN4-12A	23-	37		
AN3-4A	6-27	270			AN3155-50-100	41-3	4			AN4-13	96-5	2		
AN3-42	91-12	2			AN3155-50-200	41-4	3			AN4-13A	134-27	10		
AN3-47					AN316-10R	96-	4			AN4-14	101-51	3		
AN3-5	7-	11			AN316-12R	25-3	5			AN4-14A	61-23	21		
AN3-5A	6-13	378			AN316-14R	60-127	4			AN4-15	67-74	22		
AN3-54	74-140	2			AN316-4	60-30	2			AN4-15A	66-34	9		
AN3-6	31-2	15			AN316-4L	114-84	11			AN4-16	67-23	3		
AN3-6A	6-28	348			AN316-4R	33-122	73			AN4-16A	14-	19		
AN3-65	60-97	2			AN316-5	118-63	2			AN4-17				
AN3-7	60-99	21			AN316-5L	110-36	2			AN4-17A	2-3	15		
AN3-7A	13-93	153			AN316-5R	66-6	26			AN4-20A	2-4	1		
AN3-8A	100-7	4			AN316-6L	81-102	9			AN4-21	83-9	1		
AN3C5A	56-8	1			AN316-6R	76-	11			AN4-21A	67-68	4		
AN3HA					AN316-7R	25-42	4			AN4-22	81-55	2		
AN3H13A	85-26	4			AN316-8R					AN4-23	83-27	1		
AN3H4	118-8	24			AN316-9L	81-93	2			AN4-23A	62-19	6		
AN3H4A8					AN316-9R	81-94	2			AN4-24	23-7	2		
AN3H5	117-	16			AN320-10	83-	5			AN4-24A	21-27	4		
AN3H6	117-25	13			AN320-16	81-	8			AN4-25	126-68	1		
AN3H7	118-25	2			AN320-3	24-	222			AN4-26	96-24	2		
AN30-38	83-54	1			AN320-4	64-	165			AN4-26A	26-36	2		
AN30-46	125-12	1			AN320-5	25-29	35			AN4-27	67-70	5		
AN30-50	84-8	1			AN320-6	19-35	38			AN4-27A	134-	3		
AN3100A18-1P	103-21	1			AN320-7	24-	20			AN4-30	23-	2		
AN300KP3	118-	3			AN320-8	25-	22			AN4-30A	90-54	1		
AN300K3	118-	3			AN320-9	83-37	1			AN4-31	67-24	1		
AN3021-1					AN3200-300	37-32	2			AN4-31A	99-1	2		
AN3022-2	40-34	3			AN3202-1	80-49	1			AN4-33	119-23	2		
AN3022-3	39-37	3			AN3203V30	80-47	1			AN4-34A	9-42	1		
AN3025-1	37-45	2			AN3234-2			P1	S	AN4-35	118-41	1		
AN3027-1					AN3303-1	55-42	7			AN4-4	81-109	2		
AN3027-3					AN3311-2					AN4-4A	9-64	26		
AN3028-4	108-8	1			AN3314-1	45-2	32			AN4-40	120-27	1		
AN3030-5					AN335-4	114-93	8			AN4-42A	8-	4		
AN3030-5A	34-1	9			AN3350-1	37-10	9			AN4-45	66-4	2		
AN3033-12					AN340-6	49-	2			AN4-47A	9-38	7		
AN3033-13					AN340C4	80-	3			AN4-5	93-124	10		
AN3037-2B	39-17	3			AN340C6	71-	3			AN4-5A	65-14	27		
AN3044-1	39-	3			AN345-516	49-	2			AN4-50	114-9	2		
AN3049-1	40-5	4			AN350-5	99-	2			AN4-52A	62-29	4		
AN3054-6	51-20	4			AN362F1032	132-	4			AN4-6	117-15	10		
AN3060-4	53-14	2			AN363C632	47-	2			AN4-6A	4-5	187		

T.O. 1B-26K-4

Section III
Numerical Index

PART NUMBER	FIGURE & INDEX NUMBER	QTY PER ART.	SOURCE CODE	REPAIR CODE	PART NUMBER	FIGURE & INDEX NUMBER	QTY PER ART.	SOURCE CODE	REPAIR CODE	PART NUMBER	FIGURE & INDEX NUMBER	QTY PER ART.	SOURCE CODE	REPAIR CODE
AN4-7	66-28	27			AN503-416-24	11-18	16			AN509-416R23	59-6	3		
AN4-7A	4-	161			AN503-416-26	11-5	2			AN509-416R27	114-30	4		
AN4DD22A	80-160	5			AN503-416-30	12-20	20			AN509-416R37	122-	17		
AN4DD6A	91-10	2			AN503-416-34	11-12	20			AN509-416R39	95-	AR		
AN4DD7	123-4	2			AN503-6-6	33-	2			AN509-428	116-	AR		
AN4H31A	64-51	1			AN503-8-12	23-	11			AN509-516R13	19-3	4		
AN4H51A	114-1	2			AN503-8-4	36-	4			AN509-524	104-3	4		
AN4049-6	13-25	2			AN504-8-8	31-8	8			AN509-6R8	56-	12		
AN4101CH	8-76	2			AN504C6R5	118-61	2			AN509-8-8	56-	5		
AN415-2	68-24	2			AN505-416-32	4-22	REF			AN509-8R14	56-	12		
AN416-2	78-2	1			AN507-1032-10	4-35	256			AN509-8R5	35-	16		
AN42-6	99-42	4			AN507-1032-12	114-45	20			AN509-8R7	118-	52		
AN43B4	81-143	2			AN507-1032-14	60-34	15			AN509-8R8	40-	4		
AN435A	9-71	8			AN507-1032-2	109-6	20			AN509-8R9	78-	12		
AN48-10	86-7	2			AN507-1032-24	131-68	1			AN509R416-31	87-7	1		
AN486-3	65-58	4			AN507-1032-36	73-60	1			AN509R416-48	87-8	1		
AN486-4	68-20	15			AN507-1032-40	131-56	1			AN5096R5	80-	2		
AN5	118-65	REF			AN507-1032-6	122-10	4			AN510-10-8	32-	8		
AN5-10A	14-	37			AN507-1032-8	114-41	70			AN510-10R11	89-	7		
AN5-11	113-3	2			AN507-1032R10	56-18	25			AN510-10R14	89-	5		
AN5-11A	58-33	2			AN507-1032R12	72-	55			AN515-10R8	40-	16		
AN5-12	66-	4			AN507-1032R14	74-21	27			AN515-4-12	55-	4		
AN5-12A	58-34	7			AN507-1032R16	72-90	1			AN515-4-4	55-	2		
AN5-13A	8-	55			AN507-1032R20	101-25	4			AN515-4-6	34-	8		
AN5-14	76-20	3			AN507-1032R6	79-	30			AN515-4-7	77-	20		
AN5-14A	101-54	1			AN507-1032R60	73-6	1			AN515-4R10	35-	32		
AN5-15	91-60	1			AN507-1032R8	36-29	97			AN515-4R6	35-	80		
AN5-16A	13-75	10			AN507-1032R9	109-	20			AN515-4R8	34-	6		
AN5-20	66-	5			AN507-4R6	103-	2			AN515-5-14	53-	8		
AN5-21	76-26	3			AN507-420R12	45-	6			AN515-6-10	78-53	4		
AN5-21A	63-11	2			AN507-428R16	101-3	8			AN515-6-12	55-50	12		
AN5-23	65-00	1			AN507-428R24	101-36	4			AN515-6-16	53-	4		
AN5-23A	96-14	6			AN507-428R4	101-18	2			AN515-6-24	24-87	10		
AN5-26A	114-26	8			AN507-440-4	37-	7			AN515-6-28	26-81	8		
AN5-33A	91-39	4			AN507-6R10	35-	40			AN515-6-40	51-3	2		
AN5-34A	98-51	2			AN507-6R6	103-8	7			AN515-6-6	26-	8		
AN5-44	59-35	2			AN507-632-4	35-	30			AN515-6-8	51-9	4		
AN5-45	66-8	1			AN507-632-8	72-	4			AN515-6R-36	36-	2		
AN5-6	92-34	32			AN507-632R12	56-17	8			AN515-6R10	35-	33		
AN5-6A	96-18	2			AN507-632R6	47-	4			AN515-6R12	48-	6		
AN5-7	121-9	2			AN507-632R8	69-2	5			AN515-6R16	40-	128		
AN5-7A	19-1	17			AN507-832-6	65-34	2			AN515-6R24	44-	25		
AN5-8A	102-61	2			AN507-832-8	65-32	2			AN515-6R40	42-	24		
AN5H-6	17-52	4			AN507-832R10	71-13	8			AN515-6R6	42-	52		
AN500-10-12	8-	10			AN507-832R12	72-	8			AN515-6R7	108-32	1		
AN500-416-14	13-	2			AN507-832R24	26-101	14			AN515-6R8	35-	75		
AN500AD6-10	80-90	1			AN507-832R7	40-	AR			AN515-632R6	40-	24		
AN500AD6-6	41-	20			AN507-832R8	69-	45			AN515-8-10	62-63	5		
AN500A10-10	13-110	20			AN507B4R4	79-	2			AN515-8-14	58-25	2		
AN500A10-12	7-56	40			AN507B6R14	79-	10			AN515-8-20	65-10	6		
AN500A10-16	10-7	9			AN507B632R12	80-58	4			AN515-8-24	24-69	23		
AN500A10-20	10-8	7			AN507B632R16	80-57	27			AN515-8-28	58-6	1		
AN500A10-6	13-	16			AN507B632R20	80-56	14			AN515-8-8	69-38	8		
AN500A14-10	13-	2			AN507B632R4	80-	2			AN515-8R10	122-18	2		
AN500A4-4	129-73	4			AN507B8R8	79-	4			AN515-8R22	87-11	2		
AN500A4-8	92-	64			AN507C440R12	72-	2			AN515-8R5	51-7	6		
AN500A416-10	13-119	38			AN507DD1032R18	123-8	4			AN515-8R6	55-	4		
AN500A416-12	7-41	40			AN507DD632R8	123-9	6			AN515-8R8	35-	84		
AN500A6-5	76-61	4			AN508-4-10	80-96	3			AN515B6-14R	55-	3		
AN500A6-8	71-21	66			AN509-10	5-	132			AN515B6R12	79-	28		
AN500A8	104-	4			AN509-10-10	61-37	3			AN515B6R16	79-	76		
AN501-10-4	53-	2			AN509-10-42	53-	2			AN515B6R20	80-59	14		
AN501-416-10	8-	16			AN509-10R8	71-	2			AN515B6R8	80-62	6		
AN501A10-7	84-18	4			AN509-10R10	39-	21			AN515C6R7	41-	4		
AN501A108	90-7	112			AN509-10R11	104-	24			AN520-R8	54-	8		
AN501A416-28	72-87	2			AN509-10R12	39-	82			AN520-10-10	20-	28		
AN502-10	14-	10			AN509-10R13	37-	36			AN520-10-12	23-	11		
AN502-10-12	62-3	8			AN509-10R14	39-	69			AN520-10-16	131-28	2		
AN502-10-22	81-60	4			AN509-10R16	39-	8			AN520-10-17	128-70	1		
AN502-10-6	36-30	2			AN509-10R16-14	89-	4			AN520-10-18	113-	2		
AN502-10-8	85-17	2			AN509-10R24	109-	2			AN520-10-20	81-113	6		
AN502-416-10	17-	16			AN509-10R31	132-28	2			AN520-10-24	18-	18		
AN502-416-8	90-38	36			AN509-10R7	39-	58			AN520-10-26	20-45	4		
AN503-10-12	10-12	5			AN509-10R8	44-	AR			AN520-10-28	23-	7		
AN503-10-16	10-24	7			AN509-10R9	39-	AR			AN520-10-30	23-	6		
AN503-10-20	134-	5			AN509-1032	116-	AR			AN520-10-32	24-23	4		
AN503-10-44	10-20	8			AN509-416R12	116-52	4			AN520-10-36	17-	15		
AN503-10-8	78-100	4			AN509-416R14	112-37	8			AN520-10-40	23-	1		
AN503-416-10	11-4	4			AN509-416R15	62-25	4			AN520-10-7	24-63	23		
AN503-416-16	12-18	32			AN509-416R16	99-	32			AN520-10-8	7-	100		
AN503-416-20	12-11	8			AN509-416R17	110-	100			AN520-10R10	6-5	45		
AN503-416-22	12-7	18			AN509-416R19	59-5	1			AN520-10R12	101-26	7		

PART NUMBER	FIGURE & INDEX NUMBER	QTY PER ART.	SOURCE CODE	REPAIR CODE	PART NUMBER	FIGURE & INDEX NUMBER	QTY PER ART.	SOURCE CODE	REPAIR CODE	PART NUMBER	FIGURE & INDEX NUMBER	QTY PER ART.	SOURCE CODE	REPAIR CODE
AN816-2D	79-39	1			AN837-4D	16-14	16			AN924-12	27-52	1		
AN816-2	79-36	4			AN837-5D	30-20	6			AN924-12D	27-27	4		
AN816-4	8-54	10			AN837-6D	21-25	8			AN924-16	15-	13		
AN816-4D	7-29	17			AN837-8D	17-42	7			AN924-16D	5-16	27		
AN816-5D	30-13	1			AN838-24	13-31	1			AN924-2D	78-	6		
AN816-6	13-36	2			AN840-16	6-9	2			AN924-24	13-	5		
AN816-6D	13-40	5			AN840-16D	8-66	2			AN924-4	7-58	19		
AN816-8D	13-9	8			AN840-6	7-46	2			AN924-4D	16-	AR		
AN817-4D	22-13	1			AN842-12D	10-15	1			AN924-5D	30-18	7		
AN818-10D	14-	17			AN842-16	134-21	1			AN924-6D	14-1	36		
AN818-12D	27-	29			AN842-16D	8-4	5			AN924-8	8-22	8		
AN818-16	15-	40			AN842-4D	7-6	2			AN924-8D	17-	57		
AN818-16D	8-	86			AN844-12	134-20	2			AN925-6D	24-47	1		
AN818-2D	77-	12			AN844-12D	7-27	4			AN926-4D	94-16	1		
AN818-4	7-	18			AN844-16-15	12-13	2			AN926-6D	24-12	1		
AN818-4D	9-	259			AN844-16D	8-6	6			AN929-2D	79-1	4		
AN818-5D	30-	58			AN844-4D	10-4	1			AN929-4D	78-	1		
AN818-6	13-	2			AN844-6D	9-21	1			AN929-8	28-31	5		
AN818-6D	7-	52			AN846-16D	8-	7			AN929A6D	78-4	1		
AN818-8	8-	2			AN848-16D	5-17	12			AN931-24-28	6-3	4		
AN818-8D	13-	184			AN848-24	13-66	2			AN931-3-5	49-9	1		
AN819-4D	18-	8			AN849-18D	8-	2			AN931-4-16	6-33	2		
AN819-8D	18-	4			AN849-24	13-33	1			AN931A4-7	79-86	1		
AN820-8D	17-46	1			AN867-1D	33-31	1			AN935-10	36-	6		
AN821-12D	79-49	5			AN878-12-36	26-86	1			AN935-10L	78-	116		
AN821-4D	29-5	6			AN878-6-12	7-44	2			AN935-4	80-	11		
AN821-5D	30-6	16			AN878-8-72	36-2	2			AN935-6	51-	18		
AN821-6D	21-24	4			AN884-12	134-17	2			AN935-8	47-3	30		
AN821-8D	20-41	8			AN884-12-15	7-	11			AN935-8L	51-	4		
AN822-4	8-58	1			AN884-16-15	7-3	8			AN935B616	37-17	32		
AN822-4D	16-22	7			AN884-20-15	7-13	5			AN936A10	35-	AR		
AN822-8	23-58	1			AN884-20-32	9-2	1			AN936A10B	37-7	26		
AN823-16D	17-34	1			AN884-4-15	7-34	7			AN936A4	34-	8		
AN823-4D	22-17	2			AN884-6-15	7-49	5			AN936A6	35-	38		
AN823-8D	17-51	1			AN893-12D	23-11	2			AN936A616B	37-19	4		
AN824-4D	6-32	21			AN893-2D	24-54A	2			AN936D6	123-	1		
AN824-6D	21-22	4			AN894D8-4	33-15	1			AN937D8	23-124	1		
AN824-8D	23-54	9			AN900-14	13-117	2			AN938-12D	28-15	2		
AN825-4D	22-15	1			AN900-16	13-74	2			AN938-6D	26-77	1		
AN826-4	8-57	1			AN900-21	13-48	2			AN938-8D	20-20	1		
AN826-6	33-37	1			AN901-4A	26-	3			AN939-4D	33-42	1		
AN827-16D	17-24	1			AN901-6A	18-	4			AN940D416	126-73	1		
AN828-16D	17-21	2			AN901-6C	25-34	4			AN943-3	76-95	1		
AN828-6D	24-99	1			AN901-8	18-	6			AN943-4	76-97	2		
AN828-8	8-	2			AN902-16	23-	2			AN945-8	126-64	1		
AN828-8D	17-40	2			AN902-4	18-	29			AN951REB3N2	118-64	2		
AN829-12D	79-48	1			AN902-6	18-	28			AN960-10	6-	AR		
AN829-4D	26-108	2			AN902-8	18-	4			AN960-1016	83-	16		
AN829-6D	24-98	1			AN911-10D	27-57	2			AN960-1216	3-2	24		
AN829-8D	20-39	4			AN911-4D	55-29	1			AN960-1216L	3-8			
AN830-8D	24-81	2			AN911-6D	10-18	3			AN960-1416	13-	25		
AN831-16D	17-	2			AN912-1D	30-56	12			AN960-1616	17-	6		
AN831-6D	24-100	2			AN912-10	29-11	1			AN960-1716	27-51	1		
AN831-8D	20-	8			AN912-10D	27-55	3			AN960-2016	27-39	4		
AN832-10	13-54	2			AN912-2D	79-41	2			AN960-2116	8-	23		
AN832-10D	28-47	3			AN912-7D	13-56	2			AN960-3	75-	6		
AN832-12D	28-16	2			AN912-9	29-12	1			AN960-3016	13-	5		
AN832-16	15-14	13			AN913-1	11-1	2			AN960-4	35-	71		
AN832-16D	27-67	5			AN913-1D	7-	3			AN960-4L	40-	26		
AN832-2D	78-11	2			AN913-6	6-7	1			AN960-416	2-	470		
AN832-4	8-	4			AN913-6D	8-29	2			AN960-416L	9-46	206		
AN832-4D	16-4	26			AN914-16D	8-43	4			AN960-428	102-	34		
AN832-6D	14-2	3			AN914-6D	8-30	4			AN960-5	53-	8		
AN832-8	13-5	6			AN915-6	9-18	1			AN960-516	8-	155		
AN832-8D	14-4	8			AN915-6D	10-17	1			AN960-516L	73-18	33		
AN832D12	27-29	2			AN917-6D	10-16	1			AN960-6	42-	212		
AN833-10D	28-6	1			AN917-8D	23-67	1			AN960-6L	80-	63		
AN833-16D	8-	1			AN918-1D	16-24	1			AN960-615	117-	4		
AN833-4	33-22	5			AN918-6D	79-14	1			AN960-616	9-	65		
AN833-4D	9-30	AR			AN918-8D	17-44	1			AN960-616L	90-	5		
AN833-5D	30-24	5			AN919-10D	22-16	2			AN960-624	107-	24		
AN833-6D	18-17	19			AN919-12D	21-26	4			AN960-716	18-	56		
AN833-8D	17-79	43			AN919-15D	23-36	2			AN960-8	24-	327		
AN834-4D	16-20	9			AN919-16D	28-13	1			AN960-8L	39-	137		
AN834-5D	30-35	1			AN919-6D	24-11	6			AN960-816	17-	AR		
AN834-6D	24-42	3			AN919-8D	20-23	1			AN960-816L	127-	2		
AN834-8D	23-50	2			AN920-8D	18-18	4			AN960-916	83-38	4		
AN837-10D	28-51	1			AN921-4D	26-84	1			AN960A10	50-27	10		
AN837-12	27-50	1			AN921-6D	26-85	2			AN960B616	52-2	24		
AN837-16D	23-82	4			AN923-8D	20-17	2			AN960C10	91-	4		
AN837-2D	79-3	4			AN924-10	13-	2			AN960C10L	118-	12		
AN837-4	94-20	2			AN924-10D	28-	5			AN960C1216	98-40	8		

**Section III
Numerical Index**

T.O. 1B-26K-4

PART NUMBER	FIGURE & INDEX NUMBER	QTY PER ART.	SOURCE CODE	REPAIR CODE	PART NUMBER	FIGURE & INDEX NUMBER	QTY PER ART.	SOURCE CODE	REPAIR CODE	PART NUMBER	FIGURE & INDEX NUMBER	QTY PER ART.	SOURCE CODE	REPAIR CODE
AN960C816	122-36	1			A1778-8Z1	70-				B1129-1L	60-124	1		
AN960C4L	80-	3				86-				B1129-1R	61-94	1		
AN960C416	62-34	40				109-				B1130-1L	60-125	1		
AN960C416L	127-	7				127-				B1130-1R	61-95	1		
AN960C516	38-48	13				128-				B114526			P1	S
AN960C6	67-	1				128-				B12306	16-35	1		
AN960C6L	80-89	1			A17788M1	95-	AR			B1612	6-22	3		
AN960C616	65-	1			A1789-8Z1	74-	15			B1616X	84-44	1		
AN960D10	6-	AR				74-				B2001	103-16	1		
AN960D10L	13-	65				121-				B2001R	103-15	1		
AN960D1216	13-4	9			A1881-8Z	69-	5			B22-BC1.0	53-2	1		
AN960D1416	21-	35			A20-0-51	86-53	1			B22-BC2.0	53-1	3		
AN960D1416L	90-	4			A26B	86-13	1			B26-001-002	133-39	1		
AN960D1716	27-28	4			A276	99-40	4			B26-001-003	133-91	1		
AN960D2016	27-69	8			A2953	80-72	1			B26-001-004	133-92	1		
AN960D416	9-	811			A2981-4	94-1	5			B26-001-005	133-37	1		
AN960D416L	13-	38			A303-2	84-22	1			B26-001-006	133-97	2		
AN960D516	14-	92			A304-9	73-16	1			B26-001-009	133-78	1		
AN960D516L	66-	24			A3122-10-59	7-	13			B26-001-012	133-77	1		
AN960D6	51-	6				7-				B26-001-017	133-96	1		
AN960D6L	78-	8				9-19				B26-001-026	133-90	1		
AN960D616	59-	83				9-28				B26-002-001	133-40	1		
AN960D616L	66-	4			A3122-12-179	9-32				B26-002-002	133-53	1		
AN960D716	24-	20				36-23	9			B26-002-003	133-50	1		
AN960D716L	114-	4				36-24				B26-002-004	133-52	1		
AN960D8	26-	115			A3122-12-59	7-51	4			B26-002-005	133-51	1		
AN960D8L	96-	4			A3122-14-59	36-1	10			B26-002-006	133-48	1		
AN960D816	114-	9			A3122-144	8-	4			B26-002-007	133-49	1		
AN960D816L	66-	6			A3122-22-59	7-	8			B26-002-008	133-54	1		
AN960L4	103-	4			A3122-28-59	7-	14			B26-002-009	133-55	2		
AN960PD10	7-	2				9-1				B26-002-011	133-45	1		
AN960PD416L	123-	2				9-6				B26-003-001	133-16	1		
AN960PD8L	39-	11			A3135	121-	11			B26-003-002	133-15	1		
AN970-3	65-	12			A3235-020	128-	12			B26-003-003	133-17	2		
AN970-4	58-	32				128-				B26-003-004	133-19	2		
AN970-416	76-90	2				128-				B26-005-001	133-13	2		
AN970-5	91-	1			A3751	73-41	1			B26-005-002	133-12	2		
AN970-6	58-	4			A403-6	65-62	1			B26-005-003	133-11	2		
AN975-3	65-	16			A407-2	84-7	2			B26-005-004	133-10	2		
AN975-4	19-10	11			A5013	62-51	2			B26-005-005	133-8	2		
AN975-5	66-54	6			A5014	62-52	2			B26-005-006	133-14	1		
AN996-16	69-3	2			A5015	52-53	2			B26-005-007	133-7	2		
AN996-32	69-9	2			A521-11	126-41	1			B26-005-013	133-6	2		
ARE4	126-50	4			A521-4	129-74	12			B26-005-014	133-5	2		
ARE5	76-22	2			A5299C24	80-73	6			B26-005-015	133-3	2		
ARN250	5-15	2			A532	126-70	1			B26-006-001	133-1	2		
AR3	59-	1			A538	119-22	3			B26-006-002	133-71	2		
AR4-1	126-52	2			A539	119-28	3			B26-006-003	133-70	2		
	126-54					120-21				B26-006-004	133-68	2		
AR8	68-40	1			A541	120-30				B26-006-005	133-69	2		
AS313B/ARN6	56-	1				69-11	4			B26-006-006	133-9	8		
AT103103	103-12	1			A5610C	41-6	5			B26-006-006	133-32	2		
AT256/ARC27	56-22	1			A5934-51	36-9	4			B26-006-007	133-88	1		
AT454/ARC44	56-38	1			A6049-8	31-	8			B26-006-008	133-87	4		
AT741/APX25	56-36	2			A6069-8Z1	109-	AR			B26-006-009	133-86	1		
	56-41				A6077-8Z3	86-	42			B26-006-010	133-31	2		
AV1A2003	44-3	2			A6162-8Z2	121-	2			B26-006-011	133-30	2		
AYLC5091	109-40	2			A6236-8Z3	50-14	1			B26-006-012	133-64	2		
A1008-5	117-	2			A6246-8Z3	94-2	10			B26-006-013	133-65	2		
A1179-10Z1	86-	16			A6416-8Z	130-11	2			B26-006-014	133-63	2		
	86-				A672-2	119-13	6			B26-006-015	133-67	2		
A1181-6Z	86-	8				120-13				B26-006-018	133-62	2		
A1181-6Z1	26-	4			A7079B-24	34-11	2			B26-006-019	133-61	2		
A1181M1	121-	20			A741-1	76-7	1			B26-006-020	133-60	2		
A1258-9	34-5	2			A7512-24	34-14	2			B26-006-021	133-57	2		
A1317	118-	1			A802CDSB	80-42	1			B26-006-022	133-58	2		
A145-57-160	17-34	1			A858-1	109-66	4			B26-006-023	133-56	2		
A1663-017-1	80-118	2			A880-6Z1	51-	4			B26-006-024	133-59	1		
A1778-8Z	86-	32			A8943-632-24J	79-	20			B26-007-001	133-41	1		
	86-				BLS3TA0.7S	68-14	2			B26-007-002	133-73	1		
A1778-8Z1	35-	164			BOLT	37-20	10			B26-007-005	133-74	1		
	51-				BS10370	107-	5			B26-007-006	133-75	1		
	64-					107-28				B26-008-001	133-80	2		
	64-				BS10412	107-27	1			B26-008-002	133-81	2		
	64-				BS51117	41-20	10			B26-008-003	133-98	2		
	65-					49-25				B26-008-004	133-99	2		
	69-				BZP31	36-	1			B26-008-005	133-44	2		
	69-53				BZ2RQ1A2	51-31	4			B26-008-006	133-82	2		
										B26-008-007	133-84	2		

T.O. 1B-26K-4

Section III
Numerical Index

PART NUMBER	FIGURE & INDEX NUMBER	QTY PER ART.	SOURCE CODE	REPAIR CODE	PART NUMBER	FIGURE & INDEX NUMBER	QTY PER ART.	SOURCE CODE	REPAIR CODE	PART NUMBER	FIGURE & INDEX NUMBER	QTY PER ART.	SOURCE CODE	REPAIR CODE
B26-008-010	133-23	2			CU65/ARN6	56-24	1							
B26-008-011	133-20	2			CV279/ARN	55-52	1							
B26-008-112	133-24	1			CW141/ARN6	56-25	1							
B26-008-013	133-21	1			CYLINDER	32-5	6			G51H-B	80-110			
B26-008-014	133-22	2			C1	56-54	1			G51H-C	80-111			
B26-050-001	43-9	1			C100E3RSHR	93-4	1			G51HD	92-32	24		
B26-050-002	43-8	1			C100PZ-1	66-68	REF			H-LE-12	35-64	1		
B26-050-002A	43-7	1			C100P4	39-55A				H-RE-12	35-	1		
B26-050-003	43-6	1			C1128/APX25	55-20	1			HF01N0-28	46-7	1		
B26-052-001	42-41	1			C1158/APX25	55-18	1			HH105	35-	4		
B26-052-002	42-42	1			C1514/ARN-6	80-83	1			HORN, TYPE J2	39-11	1		
B26-052-003	41-30	1			C1601	39-55				HOSE	5-14	6		
B26-052-004	41-21	1			C1763/ARN-21	80-106	1				36-5			
B26-052-005	41-22	1			C1904/ARC27	55-14	1				36-6			
B26-052-006	41-23	1			C232291	56-	2			HS49380-1	109-	88		
B26-052-007	41-24	1			C2400L4VT	78-85	1			HYDRAULIC FLUID	86-10	1		
B26-052-008	41-25	1			C548	107-	10			H107675-010	126-26	2		
B26-052-009	41-26	1			C760B/ARN-14	80-107	1			H107675-014	25-31	4		
B26-052-010	41-27	1			C824A/A1C-10	55-11	4				84-59			
B26-056-011	49-12	1				55-33				H107675-016	18-23	8		
B26-056-012	49-16	1				55-74					82-20			
B26-056-013	49-15	1				80-116				H1620L	101-5	2		
B26-056-014	49-13	1			C826A/A1C10	55-5	2				101-14			
B26-056-015	49-14	1				55-8				H39G-5332	98-12	8		
B26-056-050	108-37	1			DD20964	55-37	1			H41D10358	98-11	8		
B26COM002	133-79	2			DD505C13	55-15	1			H5000-040-050	16-38	2		
B26COM010	133-35	4			DECAL	45-1	19			H5000-040-064	99-2	6		
B26COM011	133-85	2			DPAL24C2-33S3	55-	1			H78/A1C	86-8	3		
B26COM012	133-36	2			DPA24C2-33S	55-	1			ID250/ARN	80-17	1		
B26COM013	133-72	2			DPA24HV2-33S	55-	1			ID251/ARN	55-49	1		
B26COM014	133-38	4			DPA29C1-33S	55-	1			ID307/ARN	80-20	1		
B26COM015	133-66	5			DPD23-33S2	55-	1			ID310/ARN	80-45	1		
B26COM016	133-43	2			DPE60-35S	55-	1			ID351/ARN	80-15	1		
B26COM017	133-33	2			DRIFTMETER	78-86	1			IS13898	14-18	2		
B26COM020	133-47	4			DY107/ARC44	55-99	1			ITL1-1A	80-75	2		
B26COM024	133-46	2			DY66B/ARN14	55-60	1			JAN6X4W			P1	S
B26COM025	133-18	4			DY76/A1C10	55-40	1			JAN6073			P1	S
B26COM027	133-26	2			DY77/A1C10	55-46	1			JAN6074			P1	S
B26COM028	133-28	2			D10007-4	26-40A	1			JAR	36-10	4		
B26COM029	133-27	2			D101-421	80-117	2				36-13			
B26COM030	133-34	2			D16802-24	22-3	1			JV20	53-9	4		
B26COM031	133-2	22			D16802-25	22-	1			J2049-2D	77-	28		
B26COM033	133-42	2			D16902-5	22-2	2				77-			
B27-001-022	133-95	2			D22061-04-004	80-22	1				80-146			
B3A	55-26	1			D6753-1	41-19	3				80-159			
B39X	118-13	1				49-24				J2049-3	102-	16		
B47X	119-3	2			D6810A	39-29	2				105-			
B4750C	79-79	5			D7235-1-70	54-31	1			KA2	106-			
	80-1				EL-26-20	93-	1				106-3	2		
B4752C	80-2	1			EL-26-52	42-	1				106-4			
B4755-1C	80-6	6			EL-26-90	42-	1			KA56	104-1	1		
B4755C	79-76	13			E801-3M3	80-78	2			KB3	90-51	1		
	80-4				FB1620-10	118-49	REF			KIT INSTL.	86-5	1		
B4766-1C	80-7	1			FB58-4	64-22	REF			KSA12	70-20	REF		
B4766C	80-8	1			FHZ4X3-4	34-	45			KSA23	70-28	REF		
B4796C	80-3	1			FL3C6	91-20	2				70-40			
B4850C	80-9	3			FL30	55-1	2			KS3L	114-89	2		
B4855C	80-5	10			F503-6	41-42	16			KS6	63-6	2		
B4888C	80-10	2			F520-5	93-16				KY95A/APX25	55-87	1		
B539	70-36	4			F841	127-	4			K1700B1	8-	3		
B54A20	33-51	1			FYLD243-22	33-106	1				10-5			
B540	68-31	1			FYLD317	33-82	2			K1700B2	10-1	4		
B542	68-32	1				80-79					13-127			
B59X	120-3	1			FYLD342-22	33-80	1				22-1			
CAMERA	90-51	1			FYLD4060	33-81	1			K22220	136-3			
CA06F14S2S	35-33	2			F245/APX	55-84	1			K22221	136-			
CA06F14S9S	35-32	2			F45-3	40-38	2			K22222	136-			
CA11751	35-44	2			F477	105-1	2			K22224	136-			
CA12T4V	103-	12			F503-6	99-6	1			K22225	136-			
	104-				F520-5	71-	1			K22228	136-			
	106-				F841	127-	4			K22228	136-			
CA2182-10	92-62	REF			GE8TJ17ADM	40-8	1			K22908	136-4			
CA2182-6	86-112	1			GRC-1/4-28	80-139	2			K23302	136-5			
CA3100A32-2010-10S	39-83	1			GUARD	51-6	1			K24305	136-6			
CA6T4V	107-19	3			GUNSIGHT	90-57	1			K26418	136-7			
CC113	108-4	1			G104A4CA2	8-60	2			K26419	136-			
CG105/ARN6	56-	1				33-50				K26420	136-			
CHAIN	78-3				G51A	46-17	1			K26421	136-			
CN1A1			P2	S	G51H-A	38-25	AR			K26422	136-			
CPC3537-6	103-4	1				38-52				K26423	138-			
CSL4B12	107-18	3				44-16				K26424	136-			
CU361/ARC	55-101	1				48-3				K26427	136-			
						48-26				K26428	136-			

**Section III
Numerical Index**

T.O. 1B-26K-4

PART NUMBER	FIGURE & INDEX NUMBER	QTY PER ART.	SOURCE CODE	REPAIR CODE	PART NUMBER	FIGURE & INDEX NUMBER	QTY PER ART.	SOURCE CODE	REPAIR CODE	PART NUMBER	FIGURE & INDEX NUMBER	QTY PER ART.	SOURCE CODE	REPAIR CODE
K27704	136-8				MS20002-7	2-	5			MS20394-17	81-76	4		
K27705	136-				MS20002C10	92-21	8			MS20500-1032	56-	1		
K27706	136-				MS20002C14	92-16	16			MS2057-10	55-	1		
K27707	136-9				MS20007-24	2-7	1			MS2057-12	55-	1		
K32002	136-10				MS20007-26	2-8	1			MS20760D16	8-18	8		
K33101	136-11				MS20007-40	2-12	2			MS20819-10D	14-	17		
K33301	136-12				MS20007-42	2-9	2			MS20819-12D	27-	29		
K33401	136-13				MS20008-42	81-105	2			MS20819-16	15-	40		
K33402	136-				MS20008-44	81-5	4			MS20819-16D	8-	86		
K33501	136-14				MS20010-60	92-22	6			MS20819-22D	77-	12		
K33601	136-15				MS20010-64	92-	2			MS20819-4	7-	20		
K33701	136-16				MS20014-76	92-17	16			MS20819-4D	6-	AR		
K33801	136-				MS20073-04-04	11-26	128			MS20819-5D	30-	58		
K34001	136-				MS20073-04-05	11-15	16			MS20819-6	13-	2		
K34201	136-				MS20073-04-06	11-25	32			MS20819-6D	7-	52		
K34401	136-17				MS20073-04-22	11-8	24			MS20819-8	8-	2		
K34402	136-				MS20073-15	74-76	1			MS20819-8D	13-	180		
K34403	136-				MS20073-6	13-98	8			MS20822-10D	14-25	2		
K35507	136-18				MS20073-7	13-100	10			MS20822-12-16D	135-6	2		
K35509	136-				MS20073A5	83-15	2			MS20822-12D	27-54	4		
K35511	136-				MS20074-6A	67-	6			MS20822-16D	8-44	9		
K35513	136-				MS2D115-3	56-9	1			MS20822-2D	79-43	1		
K35515	136-				MS20257P2	80-130	REF			MS20822-4	33-20	6		
K35517	136-				MS20257P4	41-29	REF			MS20822-4D	8-38	18		
K35519	136-				MS20341-10	35-	42			MS20822-5D	30-3	16		
K35521	136-				MS20341-516	38-47	3			MS20822-6	33-40	1		
K35523	136-				MS20341-6	35-	28			MS20822-6D	14-10	9		
K35525	136-				MS20341-616	37-16	8			MS20822-8D	14-14	9		
K35527	136-				MS2035-624	90-26				MS20823-10	13-55	2		
K38	102-10	2			MS20364-1032	36-	AR			MS20823-16-12	13-43	2		
K39701	106-2				MS20364-1032A	35-	AR			MS20823-2D	77-	6		
K7001-06-04	41-	12			MS20364-428	23-29	12			MS20823-4	8-	6		
	42-				MS20364-524	66-53	6			MS20823-4D	77-57	12		
	108-19				MS20364-624	90-25	4			MS20823-6D	14-	1		
K7001-06-04	80-92	4			MS20365-1018	78-84	1			MS20823-8D	14-	1		
	103-18				MS20365-1018C	83-47	10			MS20825-16-12D	27-46	2		
LS605-16-1-2	35-	156			MS20365-1032	4-	AR			MS20825-4D	29-10	2		
LE1834-1	40-	2			MS20365-1032A	8-	73			MS20825-5D	30-38	8		
LIGHT ASSY.	40-	1			MS20365-1032C	37-4	44			MS20826-4D	77-26	9		
LS605-16-1	43-	21			MS20365-1414C	92-14	16			MS20826-5D	30-34	5		
	44-				MS20365-4	33-121	1			MS20826-6D	7-48	2		
LS605-16-1-2	44-	156			MS20365-428	4-	AR			MS21251-16L	59-45	16		
	46-				MS20365-428A	2-	13			MS21251-16S	60-121	13		
	55-				MS20365-440	35-	95			MS21251-32L	64-109	6		
	55-				MS20365-440A	35-	42			MS21251-32S	64-106	2		
	55-				MS20365-440C	39-	4			MS21251-46L	59-46	4		
	55-				MS20365-516	102-	2			MS21251-8S	64-104	2		
LS607-16	48-	9			MS20365-524	19-3	194			MS21252-16LS	83-19	2		
	48-				MS20365-524A	135-	16			MS21252-16RS	67-88	2		
	99-				MS20365-524C	38-46	3			MS21254-16S	64-105	3		
	99-				MS20365-540	53-	8			MS21919DG10	99-9	1		
LS751	99-15	20			MS20365-6	55-	28			MS21919DG12	48-1	1		
L1073-500	135-15	2			MS20365-624	9-	260			MS21919DG22	33-112	2		
L05C12	33-75	1			MS20365-632	26-	189			MS21919DG23	40-13	2		
L208140-1	55-24	1			MS20365-632A	56-	8			MS21919DG5	46-16	1		
L225670A	56-26	1			MS20365-632C	99-16	20			MS21919DG8	99-8	2		
MARKER	133-89	2			MS20365-720	81-	22			MS21919D4	50-13	1		
MA4A	92-42	8			MS20365-820	81-	14			MS21920-30	33-45	1		
MAB	7-37	2			MS20365-832	24-	292			MS241182D1			P1	S
MC183	42-1	1			MS20365-832A	44-	21			MS24149-D1	45-9	9		
MHY12D			P1	P1	MS20365C632	108-28	1			MS24166D1	46-3	1		
MP1503	41-15	2			MS20365D1032	7-	14			MS24622-5	80-	4		
MP1505	41-18	5			MS20365D428	91-	2			MS24665-132	72-	4		
MRE-VL1			P1	P1	MS20365D428A	80-158	5			MS24665-134	72-	6		
MRE345G	39-60	1			MS20365D832	56-	20			MS24665-2-10	68-1	3		
MS15795-310	12-	52			MS20392-11	83-18	8			MS24665-2-2	20-54	80		
MS17777-1-15S	39-42	1			MS20392-13	72-	2			MS24665-2-3	66-49	5		
MS17777-1S11	35-52	8			MS20392-15	72-48	6			MS24665-2-4	66-	11		
MS17777-1S16	39-26	1			MS20392-17	65-	17			MS24665-2-6	68-	6		
MS17777-1S3	35-53	2			MS20392-19	101-30	2			MS24665-3-3	9-45	23		
MS17989-506	104-12	12			MS20392-2C37	51-28	4			MS24665-3-4	66-	3		
MS20002-10	92-19				MS20392-21	84-23	1			MS24665-3-5	66-	3		
MS20002-14	92-15				MS20392-25	128-23	4			MS24665-4-18	81-	20		
MS20002-4C	122-	2			MS20392-27	60-43	4			MS24665-4-8	81-37	4		
MS20002-47	2-	1			MS20392-29	101-11	2			MS24665-67	4-18	2		
MS20002-5	112-	4			MS20392-33	101-33	4			MS24665-86	109-	12		
MS20002-5C	112-	4			MS20392-41	65-56	1			MS24665C2-3	123-	2		
					MS20392-57	83-29	1			MS25002-3	93-19	1		
					MS20392-7	72-8	1			MS25024-2	38-38	10		
					MS20392-81	9-47	5			MS25025-1	80-48	2		
					MS20392-9	67-32	1			MS25026-1	35-61	10		
					MS20392-13	20-53	1			MS25041-1	80-85	2		
										MS25041-10	42-1	3		

**Section III
Numerical Index**

T.O. 1B-26K-4

PART NUMBER	FIGURE & INDEX NUMBER	QTY PER ART.	SOURCE CODE	REPAIR CODE	PART NUMBER	FIGURE & INDEX NUMBER	QTY PER ART.	SOURCE CODE	REPAIR CODE	PART NUMBER	FIGURE & INDEX NUMBER	QTY PER ART.	SOURCE CODE	REPAIR CODE
MT2436-063-300	54-21	1			NAS427K15	57-32	2			PA717CT8D	5-34	REF		
MT273E/ARN6	55-59	1			NAS427K16	60-70	8			PFSC3-1-2-38	78-110	22		
MT3601-063-008	48-27	1			NAS427K19	75-13	1				80-84			
MT5113-003-006	54-1				NAS427K22	27-17	4				80-109			
MT51131-063-006	54-	1			NAS427K23	58-19	4				80-114			
MT627A/ARN14	55-63	1			NAS427K24	64-26	4				103-19			
MT628A/ARN14	55-61	1			NAS427K36	60-110	2				108-18			
MT691/ARN18	55-96	1			NAS427K38	74-141	7			PG208ASI	33-54	1		
MT822C/ARC27	55-57				NAS427K44	64-73	1			PR3-1-2-1X16	80-122	REF		
MT928/ARN21	55-98	1			NAS427K46	74-144	5			PR3-1-2-1X3	80-121	REF		
MX270/AR	56-5	1			NAS427K48	74-16	7			PR3-1-2-1X4	80-120	REF		
MX274/AR	56-4	1			NAS427K52	64-20	1			PSH3206L	51-18	1		
M36A47	33-	1			NAS427K58	74-116	2			PSH3206R	51-	1		
M410EG10A1	77-29	2			NAS427K8	74-56	2			PTO6E14-15S	102-31	1		
M410EG10A67	77-27	2			NAS43DD048	65-	4			PTO6E18-30S	102-32	1		
M410EG32A66	77-28	2			NAS43DD10-9	112-	4			PTO6E20-41S	102-30	1		
M8058			P1	S	NAS43DD-214	58-	1			PTO6E22-55P	102-29	1		
M8059			P1	S	NAS43DD2-28	75-25	2			P101-473	71-18	1		
M8065			P1	S	NAS43DD3-14	8-45	9			QX385	70-7	2		
NAS121R187	72-107	2			NAS43DD3-16	74-78	1			QX451	70-6	2		
NAS124W187	72-	2			NAS43DD3-18	71-73	5			QSM-64	102-56	1		
NAS143-12	110-	6			NAS43DD3-210	67-16	1			QS200M80	29-13	2		
NAS143-12C	110-	6			NAS43DD3-222	71-71	2			QW104	69-8	2		
NAS143-4C	115-	2			NAS43DD3-32	58-	7				70-8			
NAS154-5	110-	2			NAS43DD3-36	64-82	2			RBC4	114-61	12		
NAS143-5C	110-	4			NAS43DD3-42	60-92	2				114-65			
NAS144-11	113-6	8			NAS43DD3-46	57-30	2				114-104			
NAS144DH72	115-36	2			NAS43DD3-54	58-	2			RBC5	62-15	8		
NAS145-26	112-28	4			NAS43DD3-60	71-81	1				114-70			
NAS145-41	117-	4			NAS43DD3-64	40-	8			RBC6	114-53	6		
NAS145-58	110-28	2			NAS43DD3-72	26-	2				114-108			
NAS146-46	117-	4			NAS43DD4-10	65-21	2			RBC7	114-54	4		
NAS147-32	112-33	4			NAS43DD4-14	64-18	1				114-71			
NAS152DH54	117-43	2			NAS43DD4-16	64-19	1			RBC8	62-17	14		
NAS152DH56	117-44	REF			NAS43DD4-28	75-26	1				81-			
NAS152DH59	110-48	2			NAS43DD4-62	64-24	1				114-98			
NAS191-4	51-41	4			NAS43DD6-14	65-69	1				114-109			
NAS198B093	67-20	1			NAS43DD6-24	65-68	1				114-113			
NAS198L-125	72-14	1			NAS43DD6-24A	114-5	2			RB6026			P1	S
NAS198R125	72-89	1			NAS43DD6-44	73-53	1			RB6055			P1	S
NAS2-101A	69-12	2			NAS43DD6-62	65-67	1			RC20CF151K	44-20	15		
NAS220-12	44-	8			NAS43HT3-06	91-	2			REB3N	51-36	17		
NAS220-13	77-	8			NAS43HT3-32	132-	2				60-19			
NAS220-22	4-19	2			NAS43HT3-38	58-	2				60-29			
NAS220-7	70-25	24			NAS43HT4-14	99-	6				60-61			
NAS220-8	38-	332			NAS43HT4-18	9-51	15				60-130			
NAS220-832	56-29	1			NAS43HT4-418	9-53	5				61-19A			
NAS220-9	23-	72			NAS43HT4-604	9-	8				61-40			
NAS220R9	80-	4			NAS443-5	117-	4				61-99			
NAS221-10	39-	39			NAS443-6	117-	4				71-			
NAS221-10R9	39-	10			NAS443-7	2-5	6			REB3N3	67-8	12		
NAS221-11	56-	18			NAS443-8	2-	14				68-18			
NAS221-12	39-	4			NAS443-9	110-	6				109-43			
NAS221-13	35-	28			NAS487-15	55-	124			REB132/ARC21	56-2	1		
NAS221-14	39-	22			NAS487-17	80-53	7			RE3FL4	114-82	6		
NAS221-17	68-42	3			NAS487-18	80-54	3				114-124			
NAS221-18	70-17	1			NAS487-20	80-55	25				115-51			
NAS221-19	56-	68			NAS495-8-18	5-2	8			RE3F4	114-83	10		
NAS221-21	32-6	17			NAS501-12-22A	56-	1				114-87			
NAS221-23	37-	4			NAS51-100	13-88	4				114-125			
NAS221-27	129-35	1			NAS537-3-50	70-21	1				115-52			
NAS221-29	129-43	1			NAS54-13	110-	6				125-35			
NAS221-7	39-	21			NAS54-17	110-34	2			RE4F5	66-5	6		
NAS221-8	38-	231			NAS549-6	42-	48				67-53			
NAS221-9	34-	155			NAS573-3	104-7	2			RLK57-22C1 1-2 POS	93-30	1		
NAS222-13	99-	2			NAS60-17-5	83-59	4			RLK57-22C1-1-2	39-5	1		
NAS222-25	129-13	1			NAS601-24P	77-	12			RLK57-31SL	39-4	1		
NAS222-29	129-12	1			NAS75-3-018	6-19	1			RT178/ARC27	55-56	1		
NAS24-4K	16-10	4			NAS75-4-006	129-	2			RT220C/ARN21	55-97	1		
NAS25-4KL	16-8	2			NAS75-4-024	101-	1			RT279/APX25	55-82	1		
NAS25-4KR	16-9	2			NAS75-6-028	101-15	1			RT294/ARC44	55-102	1		
NAS27-4-28	16-7	2			NAS75-6-032	114-4	2			R101A/ARN6	55-58	1		
NAS29-6FL16-50	14-27	2			NAS76A3-005	129-38	5			R24789	96-40	1		
NAS29-6FR16-50	14-26	2			NAS76A8-024	129-	2			R29C09	33-55	1		
NAS335CPA10	135-	16			NAS80-13	129-64	4			R322B/ARN18	55-95	1		
NAS42DD4-22	80-63	4			NAS94-3375	71-85	1			R540/ARN14C	55-62	1		
NAS42DD6-48	35-	2			NAS94-4000	109-42	2			SA740A2			P1D	S
NAS42DD6-8	80-64	3			NO35	70-19	1			SB327/ARC44	55-25	1		S
NAS427K10	61-32	5			NO4	62-5	2			SERIES CG			P1	S
NAS427K12	60-10	7			NR8L14	126-55	1			SKC16-23-1-2	55-	1		
NAS427K13	61-8	1			N220940-1	55-	1			SLIDE ASSY	96-41	1		
NAS427K14	64-34	2			PAD	29-16	1			SP5097	90-79	2		

T.O. 1B-26K-4

Section III
Numerical Index

PART NUMBER	FIGURE & INDEX NUMBER	QTY PER ART.	SOURCE CODE	REPAIR CODE	PART NUMBER	FIGURE & INDEX NUMBER	QTY PER ART.	SOURCE CODE	REPAIR CODE	PART NUMBER	FIGURE & INDEX NUMBER	QTY PER ART.	SOURCE CODE	REPAIR CODE
SP5096	90-82	B			UG27C/U	55-	4			1000795S120-2705	110-13	2		
STDCOM008	133-4	4				55-				1000795S120-3016	110-14	2		
STDCOM020	133-29	8				56-				1000795S120-3105	110-12	2		
STDCOM041	133-83	2				56-				1000795S120-3200	110-11	2		
STDCOM072	133-76	1			UG306/U	56-	1			10019	26-40B	1		
ST2G	77-54	2			UG536	55-	1			101B	16-28	2		
SX520	103-25	4			UG536A/U	55-	1			1011-238-015			P1	S
	108-39				UG536/U	55-	1			1012953D024-008	85-9	2		
S1026614G4-024	24-	2			UG587A/U	56-	1			1022-160			M1	
S102661467-024	24-	4			UG59B/U	55-	4			1022-501			P1	S
S1026614			U			55-				1022-546			P1	S
S1029421			U			56-				1022-576			P1	S
S1029421-10-10	116-	64				56-				1022-722			P1	S
S1029421-10-4	116-	48			UG646U	55-	2			1022-727			P1	S
S1029421-10-8	110-	120				56-				1022-805			P1	S
	116-				UG709/U	56-	1			1022A10			P1	S
	116-				UG88/U	56-	2			1022A14			P1	S
	116-					56-				1022B116			X2	
S1029421-10-9	116-	32			UG88E/U	55-	2			1022C1			P1	F
S1029421-1032	116-	52				55-				1022D23			P2	S
S1029679-10-10	116-	32			WC1506			P1	S	1022D32			P1	F
S1066151			X2		WE450-2D	13-103	2			1022D7			P1	F
S1087510-8-24	24-89	5			WE4775-1-1/4D	8-26	4			1023500	35-65	6		
S1093798ST5100			M1	S		17-27					51-22			
S1093798ST5200			M1	S	W0121	41-5	2			102518-3	135-8	4		
S1114189			U			42-40				1026421	125-29	1		
S1152323	81-1	2			W04	62-6	2			1026614-04-021	109-	4		
S117425-10			M	S	W106PB4-79M			P1	S	1026614-13-017	109-70	4		
S117425-12			M	S	W1425-4D	16-3	1			1026614-3-006	122-	1		
S117425-2			M	S	W1450G18	98-18	1			1026614-3-012	122-	2		
S117425-3			M	S	XB10224	107-	5			1026614-3-717	109-52	8		
S117425-4			M	S	XB364-1468	81-63	2				109-80			
S117425-5			M	S	XMER34SC2A406	55-13	1				109-102			
S117425-6			M	S	X210128	107-26	5				109-111			
S117425-7			M	S	Z1835-070	2-	4			1026614-3-018	131-75	1		
S117425-8			M	S		2-				1026614-3-106	122-	1		
S117425-9			M	S		132-79				1026614-3-131	131-	1		
S124682			U		0-38-39	92-8	16			1026614-4-002	114-	14		
S132100			U		OC2935832	55-	1				114-			
S138275			U		0115	39-52	1				115-47			
S138275-6-72	23-	4			0200B	42-18	1			1026614-4-010	23-28	1		
S166K25			P1	S	0200C	42-19	1			1026614-4-017	109-61	6		
S177213-4375-5605-873	81-34				0308	44-13	5			1026614-4-021	109-	10		
S177213-4375-5605-906	81-33				0400A	35-50	8				109-			
S2035884-1614-422	81-41	4			0525	44-14	2				109-			
S2074406			U		09C33	33-73	1			1026614-4-023	109-	12		
S2074407			U		1-1045-76 (USAF)	7-12					109-			
S2074409			U		1-170-2	47-4	26				109-			
S2074410			U			48-16					109-			
S2190965-1			X2			48-30				1026614-4-024	115-37	2		
S2190965-2			X2			50-22				1026614-4-027	109-	4		
S-2210350-5-12	94-7	1				50-39				1026614-4-030	114-	4		
S3-150	103-22	4				54-4					114-11			
	108-35					54-24				1026614-4-101	114-	6		
S4125441			U		1E0275196	96-1	2				115-47			
S4191416			X2		1E620B1	17-53	1			1026614-4-106	96-	2		
S4191416-2			X2		1E777BL1	13-104	1			1026614-5-120	96-	4		
S-4145399-3	36-11	2			1G142	8-62	4			1026614-6-020	83-34	1		
S504	65-48	1				77-29				1026614-8-022	127-	1		
TB65	99-5	1			1G143	77-28	2			1026614-8-024	127-	1		
TFA12154	134-8	1			1L5/U	56-10	1			1026614GG-116	81-	2		
TFD12100-1	8-39	3			1NA116	35-48	26			1026614G04-021	126-	1		
	10-6					35-56				1026614G16-301	109-	2		
TFD6600-2	12-6	1				54-19				1026614G3-005	77-110	1		
TFD6600-3	12-	1			1N2157			P1	S	1026614G3-014	72-123	1		
TFP12100-1	134-4	1			1N3038B	48-33	1			1026614G3-031	71-80	1		
TIRE	81-12	2			1N3047B	107-15	34			1026614G3-101	84-	2		
TUBE	81-13	2			1N3544	6-25	1			1026614G3-118	71-69	1		
T1001	119-14	3			1N535	8-45	2			1026614G3-229	91-	2		
	120-9				1N536	77-28	2			1026614G4-011	83-	1		
T4-23-225-0271	135-	4			1N537	109-87	4			1026614G4-015	83-	1		
T4-23-225-4800A	135-	2			1N645	112-13	4			1026614G4-016	83-	1		
T706	119-10	3			1N648	132-10	1			1026614G4-024	126-	6		
	120-14				1N751A			P1	S	1026614G4-106	19-27	4		
UG201/U	56-	1			1PA1000					1026614G5-005	19-32	8		
UG21C/U	56-	2			1SPUR	107-15	34			1026614G5-024	19-31	4		
	56-				10-3044-8M4	6-25	1			1026614G6-029	19-38	4		
UG21D/U	55-	1			10-443-4M4N	8-45	2			1026614G6-104	83-	1		
UG212C/U	55-	2			100PL1	77-55	8			1026614G8-017	19-	8		
	56-				100075S120-713	109-87	4			1027300-10-11	86-	4		
UG212/U	55-	1			100075S120-4000	112-13	4			1027301			U	
UG260B/U	55-	4			100075S120-428	132-10	1			1027301-8-9	86-22	2		

T.O. 1B-26K-4

Section III
Numerical Index

PART NUMBER	FIGURE & INDEX NUMBER	QTY PER ART.	NOV. RCF CODE	REP. AIR CODE	PART NUMBER	FIGURE & INDEX NUMBER	QTY PER ART.	NOV. RCF CODE	REP. AIR CODE	PART NUMBER	FIGURE & INDEX NUMBER	QTY PER ART.	NOV. RCF CODE	REP. AIR CODE
2035884-1614-318B	81-61	2			2074409-7-10-11410	75-52	1			2126534			X2	S
2035884-1614-420	81-79	2			2074409-7-10-11524	75-53	1			2126535	119-15	2	P	S
2035884-524-107	96-6	2			2074410-7-10-32300	59-43	2			2126536	119-20	2	P2	S
2039637-1028	125-34	1			2074410-7-10-33616	59-42	2			2126537	119-30	2	P	S
707	86-50	1			2085485-910	126-48	2			2126539	119-4	2	P	S
5552	71-59	1			20932	86-52	1			2126539-2			X1	S
7110	6-20	1			21-2040-1-1	27-2	1			2126539-4			X1	S
2057110-2	57-13	2			21-2040-1-2	27-2	1			2126540	117-38	2	X2	S
2057110-3	57-	2			21-2040-2-1	27-1	1			2126541	83-	1		
206P30	106-8	4			21-2040-2-2	27-1	1			2126542			P1	S
206P45	102-21	4			21-2040-3-1	28-64	1			2126544	11-14	2	P	S
2062607-6R8R125	72-	3			21-2040-3-2	28-65	1			2126545	11-3	2	P2	S
	72-				21-2040-4-1	28-66	1			2126546	10-9	4		
2062611-0716-016-032D6	18-13	6			21-6003-21	71-05	2			2126553	134-5			
2062611-1804-016-032D6	18-11	4			210-032	71-10	1			2126553	8-32	2		
2062641-1000A	61-44	1			21000-50-4A1	80-24	1			2126560			P	S
2062641-612A	61-43	1			211	68-7	2	M1		2126566	12-10	2		
2062650-4R8R187	72-34	2			2110163A012-103	119-29	2			2126567	12-16	2	P2	S
	72-45				2110163A012-103-002	119-31	1			2126570	3-5	4		
2062663-2A4A125	72-99	2			2110163B012-100-003	85-14	2			2126577	13-123	2	P	S
2062663-2BL4BL125	72-13	2			2116137	72-91	1			2126594	6-	1	P1	F
2062682A906W	60-63	1			2119391-2	89-23	2			2126594-2	6-23	1	X1	S
2074406-5-6-11028	75-45	1			2119464-2	89-25	2			2126602			P1	S
2074406-5-6-12200	75-44	1			212-1L			M1	S	2126604	112-37	2	P	S
2074406-6-4-27518	64-96	1			212-1R			M1	S	2126604-1	112-	2	P	S
2074406-6-4-28616	64-94	1			212-12	37-46	16			2126613			X2	S
2074407-16-14-1100	96-25	2			212-12-3	38-26	16			2126621			P1	S
2074407-16-4-10608	71-33	2				38-53				2126621-2			X1	S
	71-34				2120868					2126621-4			X1	S
2074407-16-4-11123	71-27	2			2123200					2126623	109-57	6	X2	S
	71-28				2123201						109-76			
2074407-16-4-14300	71-50	1			2123201-2					2126623-1	109-	2		
2074407-16-4-15116	71-47	2			2123201-3						109-98		REF	
	71-48				2123201-4					2126636				
2074407-16-4-16000	71-30	2			2123201-6					2126636-2				
	71-49				2123217	91 17	1			2126636-4				
2074407-16-4-16624	71-40	1			2123224	59-29	2	M1	S	2126636-6			X1	S
2074407-16-4-16824	71-29	4			2123224-2					2126658	76-14	1		
	71-31				2123242					2126659	76-19	2		
2074407-16-4-17216	71-32				2123242-2					2126662	76-25	1	P1	S
	71-42				2123242-4					2126663	76-29	1	X2	S
	71-39	2			2123242-6					2126665	76-	3	A	
	71-41				2123242-8					2126665-2	76-21	1	M	S
2074407-16-5-2806	60-117	1			2123243	59-7	1	P	B	2126671	76-19	2		
2074407-16-5-2828	61-85	2			2123243-2					2126671-2	83-70	1	P1	B
	61-86				2123243-4					2126683			X1	S
2074407-16-5-2830	61-88	1			2123247	112-36	4	P	S	2126684-2	114-	4	A	
2074407-16-5-3030	60-118	2			2123260	26-18				2126684-4	114-	4	A	
	60-119				2123267	59-23	1			2126684-6	115-40	2	A	
2077407-16-5-3108	71-98	1			2123274	67-7	2	P	S	2126685-1	114-58	4	P	S
2077407-16-5-3724	61-87	1			2123277						114-101			
2077407-16-5-3924	71-99	1			2123277-1					2126685-2			X1	S
2074407-16-5-4424	60-116	1			2123285					2126685-3			P	S
2074407-16-5-5440	6-18	1			2123285-2					2126685-4	115-41	2	P	S
2074407-16-6-15100	71-35	3			2123285-4					2126686-10	114-102	2	X1	S
	71-43				2123286	113-4	2	M	S	2126686-11	114-103	2	X1	S
	71-46				2123287	113-7	1	M	S	2126686-12			X1	S
2074407-16-6-16000	71-37	3			2123287-1	113-	1	M	S	2126686-13			X1	S
	71-				2123293					2126686-2	114-	1	P	B
	71-				2123298					2126686-3	114-	1	P	B
2074407-16-6-16700	71-36	4			2123299					2126688-4	114-	2	P	B
	71-44				2123364-2	117-30	2				114-101			
	71-45				2125428					2126686-5	114-	1	P	B
	71-				2125429					2126686-6	115-42	1	P	B
2074407-16-6-17416	71-38	2			2126500	29-14	1			2126686-7	115-43	1	P	B
	71-				2126501					2126686-8	114-59	2	X1	S
2074407-4-4-10800	73-36	2			2126503					2126686-9	114-60	2	X1	S
2074407-4-4-16619	73-24	1			2126503-2					2126687	13-69	9	X1	S
2077407-4-8-6008	71-	1			2126505						91-41			
2077407-4-8-7116	71-	1			2126505-1					2126687-2			X1	S
2074407-6-6-24700	73-27	1			2126507					2126688	18-21	2		
2074407-6-6-25516	73-8	1			2126508					2126698	11-9	2	P	S
74407-6-6-26200	73-10	1			2126523	119-10	1	P1	S	2126700	86-6	2		
74407-6-6-84714	71-68	1			2126526					2126714	124-15	10	P1	S
74407-6-6-84900	73-58	1			2126528	119-20	1			2126715	124-23	10	P	S
2074407-7-7-29700	75-40	1			2126529	119-19	1	P	S	2126740	51-33	4	P1	S
2074407-7-7-41716	75-42	1			2126530	119-33	1	P	S	2126741	11-10	2	P2	S
2074407-9-9-13224	59-24	1			2126532	75-41	3	P1	S	2126744			M1	B
2074408-8-8-2800	96-28	2				75-43				2126744-10	118-29	4		
2074409-10-6-33300	64-90	2			2126533	120-1		REF	P	S	118-31			
2074409-10-6-36300	64-86	1			2126533-2				X1	S	118-			
2074409-10-6-37709	64-88	1			2126533-4				X1	S	118-			

**Section III
Numerical Index**

T.O. 1B-26K-4

PART NUMBER	FIGURE & INDEX NUMBER	QTY PER ART.	SOURCE CODE	REPAIR CODE	PART NUMBER	FIGURE & INDEX NUMBER	QTY PER ART.	SOURCE CODE	REPAIR CODE	PART NUMBER	FIGURE & INDEX NUMBER	QTY PER ART.	SOURCE CODE	REPAIR CODE
2126744-2	117-35	6	M1	B	2129223	23-89	1			2150765	85-3	1	P	B
2126744-4			M	S	2129224	23-93	1			2150766	85-21	2		
2126744-6	118-28	2	M1	B	2129226	126-12	4			2150770	73-57	1	P1	S
2126744-8	118-	2	M	S	2129227	126-10	2	M	S	2150781	71-87	1		
2126745-2	117-26	4	M	S	2129229	117-21	2	P1	S	2150786	126-66	1		
2126745-4	117-24	2	P	S	2129230	117-19	1	X2	S	2150793	126-	1	P1	
2126747-2			M	S	2129230-1	117-	1	X2	S	2150793-2	126-40	1	X1	
2126747-4			M	S	2129232	117-17	1	P	S	2150809-2			M1	
2126747-6	118-6	4	M	S	2129232-1	117-	1	P	S	2150809-4			M1	
2126763			P1	S	2129233			P	S	2150809-6			M1	
2126766	62-33	1	P1	S	2129234	118-19	1	P1	S	2150812	19-41	4	P1	
2126766-1	62-	1	P1	S	2129237	118-23	1	X2	S	2150812-2			X1	
2126767	62-24	2	P1	S	2129239			X2	S	2150822			M	
2126767-1	62-	2			2129241	36-33	2	P	S	2150824	19-34	8	P	
2126768	62-	1			2129248	118-5	4	M	S	2150826	72-129	1	X2	
2126768-1	62-	1			2129260	83-4	1	P	B	2150826-2			X1	
2126769	62-	1	A		2129260-2			X1	S	2150827	72-74	1	M1	
2126769-1	62-	1	A		2129260-4			X1	S	2150832	84-	1	P	
2126775	83-46	1	P	S	2129266	76-30	1	P1	S	2150834	65-	1		
2126777	110-37	2	P	S	2129282	10-10	1	P1	S	2150834-2	65-61	1		
2126777-2			X2	S	2129283			X2	S	2150835	65-73	1		
2126778	110-	2	P	B	2129284	10-23	1	P1	S	2150842	75-18	1		
2126787-2			X2	S	2129290			P	S	2150844	75-27	1		
2126787-4	121-17	3	X2	S	2129302	83-30	1	P2	S	2150845	71-	1	P1	
2126790-2	116-50	1			2129304	36-	1	M	S	2150845-2	71-61	1	X1	
2126790-3	116-	1			2129304-1	36-	1	M	S	2150849-2	19-20	2	P	
2126790-4	116-51	1			2129306	126-22	1			2150849-2			X1	
2126790-5	116-51	1			2129322	64-27	1			2150859			M	
2126794	109-	4	A		2129323	64-30	1			2150868	86-6	4	A	
2126794-1	109-	2	A		2129327	76-28	1	X2	S	2150868-2			X1	
	109-95				2129333-2			P	S	2150868-4			M	
2126795	109-	2	A		2129333-4			P	S	2151609	65-3	1		
2126795-1	109-104	REF	A		2129341	83-60	1			2151616	73-55	1	P1	
2126796	109-	2	A		2129342	83-61	1			2151618	80-89	4		
2126796-1	109-	2	A	B	2129343	83-63	1	P	S	2151646			P1	
2126808	82-	2	P	B	2129356	25-22	1			2151647	81-	2	P1	
2126808-2	82-16	2	X1	S	2129377			P1	S	2151647-2			U	
2126809	11-17	2	M	S	2129383	25-	2			2151647-4	81-104	2	P1	
2126823	82-13	2			2129384	25-27	1			2151648	81-	2	P	
2126829	82-12	2			2129388			P	B	2151649	81-100	2	P	
2126832	62-11	4			2129389	91-43	1			2151649-2			X1	
2126834	62-14	4	P	B	2129395	25-10	2			2151650	81-91	2		
2126834-2			X1	S	2129398	25-9	2	X2	S	2151667			M1	
2126835	62-13	4	P	S	2129399	96-19	2			2151671			U	
2126835-2			U		213	68-34	2	M1	S	2151677	20-38	1		
2126844	62-	2	P1	B	213-1	80-32	1			2151697	91-4	2		
2126844-1	62-	2	P1	B	2130661-025C	119-24	1			2151703	13-114	2	M1	
2126844-2	62-20	1	X1	S	2130661-029	69-28	2			2151704			M1	
2126844-3	62-21	1	X1	S		70-58				2151704-2			M1	
2126847	82-23	2			2130661-104	85-16	2			2151704-4			M1	
2126854	13-71	4	P	S	2139926	83-16	1			2151726			M	
2126857	109-48	2	X2	S	214	68-25	2	P1	S	2151743	21-39		P	
2126857-1	109-	2	X2	S	2142882			A		2151758	21-	1	A	
2126860	62-9	2	P1	S	2142882-1			A		2151768	20-			
2126862	62-16	2	P	B	2142890			A		2151772	24-67	2		
2126862-2			X1	S	2143226			M	S	2151773	24-68	2		
2126869			X2	S	2143473	99-67	2			2151774	17-1	5	M	
2126889			P	S	2143677						17-2			B
2126892	83-12	1	P1	S	2143710-10			M1	S	2151774-10				
2126893	83-14	1	P1	S	2143710-12			M1	B	2151774-2			M	
2126974	86-7	4			2143710-14			X1	S	2151774-4			M	
2129150	62-	1	P1	F	2143710-2			M1	B	2151774-6			U	
2129150-1	62-	1	P1	F	2143710-4			M1	B	2151774-8			M	
2129150-2	62-30	2	X1	S	2143710-6			X1	S	2151775	17-3	1		
2129150-3	62-	2	X1	S	2143710-8			M1	B	2151777	24-84	5		
2129152-1			M	S	2143997			X1	S	2151778	24-85	3		
2129157	23-45	1	X2	S	2143997-2			M1	S	2151779	24-86	2		
2129160	58-20	1			2143997-3			X1	S	2151810				
2129173	62-	2	P	B	2143998			M	S	2151810-1			U	
2129173-2	62-40	2	X1	S	2150713	25-14	2			2151848	62-56	4	P	
2129174	63-3	1	P	B	2150714	25-	2	P	B	2151872			M	
2129174-2			M	S	2150714-2	25-1	2			2151899	65-2	1		
2129176	62-	2	P	B	2150725	25-5	3			2152266	69-10	1		
2129176-2	62-41	2	X1	S		25-26				2152666	70-10	1		
2129187			M1	S	2150727	71-54	1	P	S	2153715	115-62	2		
2129209	84-67	1			2150731	25-20	1			2153757			P	
2129210	84-64	1			2150737-2	73-	1	N	A	2153757-2			X1	
2129211	84-66	1			2150738	73-26	1			2153758			P	
2129213	84-63	1	P	S	2150742	82-6	2			2153758-2			M1	
2129221			M	B	2150745	25-12	4			2153779-10			M1	
2126744-6	118-32				2150746	84-54	1			2153779-2			M1	
2126744-8	118-				2150750	85-8	1			2153779-4			M1	
					2150751	85-6	1							S

T.O. 1B-26K-4

Section III
Numerical Index

PART NUMBER	FIGURE & INDEX NUMBER	QTY PER ART.	SOURCE CODE	REPAIR CODE	PART NUMBER	FIGURE & INDEX NUMBER	QTY PER ART.	SOURCE CODE	REPAIR CODE	PART NUMBER	FIGURE & INDEX NUMBER	QTY PER ART.	SOURCE CODE	REPAIR CODE
2153780-2	64-103	1	P	S	2159757			P	B	2192765	77-11	6	M	B
2153780-4	64-102	1	P	S	2159795	112-40	1	P1	B	2192765-2			M	S
2153780-6	64-101	1	P	S	2159795-1	112-	1	P1	B	2192765-4			M	S
2153780-8	64-100	1	P	S	2159795-2			X1	S	2192765-6			M	S
3804			M1	B	2159795-3			X1	S	2192799			P	B
3837-2	75-54	2	P	S	2159796	112-41	1	P	B	2193605	76-56	1		
3837-4			P	B	2159796-1	112-	1	P	B	2193628			X2	
153849			P	S	2159796-2			X1	S	2193684	134-28	8		
2153850			P	S	2159796-3			X1	S	2193685	134-	1		
2153851			M1	S	216	68-12	1	M1	S	2193685-2	134-9	1		
2153852			P	S	216-1			M1		2193686	10-22	1	P	S
2153870			P2	S	216-2			X1		2193736			M	S
2153872	109-67	4	X2	S	216-3			M	S	2193736-2			M	S
2153874	109-65	4	P	B	217	68-41	1	M		2193736-4			M	S
2153874-2			X1	S	21781	42-17	24			2193736-6			M	S
2153888	86-6	2	P	B	2182-4	78-109	1			2193749	88-3	1		
2153888-10			M	S	2182-7	78-108	1			2193755	26-18			
2153888-2			M	S	219	68-43	1	M1		2193762	62-	2	P	B
2153888-4			M	S	219-1			X1		2193762-2	62-42	2	M	S
2153888-6			M	S	219-2			X1		2193764	62-	2	P	B
2153888-8			M	S	219-3			M		2193764-2	62-43	2	M	S
2153928	126-	1	A		219-4			X1		2193772			M1	B
2153928-6	126-57	1	P	S	219-5			M1		2193772-10			M1	S
2153942	112-7	8	P	S	2190831	112-44	1	P1	B	2193772-2			M	S
2153942-2			M	S	2190831-1	112-	1	P1	B	2193772-4			U	
2153942-4			M	S	2190831-2			X1	S	2193772-6			X1	S
2153951			M1	B	2190831-3			X1	S	2193772-8			X1	S
2153951-2			X1	S	2190838	112-45	1	P1	B	2193778			M	S
2153951-4			U		2190838-1	112-45	1	P1	S	2193791	26-45	1	A	
2153951-6			X1	S	2190838-2			X1	S	2195001			M1	B
2155000	64-37	1			2190838-3			X1	S	2195001-2			M	S
2155001	64-9	1	X1	S	2190926	96-27	2			2195001-4			M	S
2155005	24-55	1			2190949			M	S	2195016	132-24	2	P1	B
2155106-14			M	S	2190953			P	S	2195016-2			X1	S
2155106-8	78-74	1			2190955	62-55	10	P	B	2195018	23-62	1		
2155119			P	S	2190960			X2		2195020	132-20	2	P	S
2155169	67-12	1			2190961			M	B	2195021	132-19	1	P	S
155222	121-7	1			2190961-2			X1	S	2195025	132-16	2	M1	S
5292	26-80	2	M1	S	2190963			X2		2195025-2			X1	S
5292-10			X1		2190964			P	B	2195025-4			U	
5292-12			X1		2190964-2			X1	S	2195025-6			X1	S
2155292-14			M	S	2190989	63-	2	P	B	2195029			M1	S
2155292-2			U		2190989-2	63-5	2	X1	S	2195029-2			X1	S
2155292-4			U		2191125	109-24	4	M1	S	2195029-4			X1	S
2155292-6			U		2191125-1	109-	4	M1	S	2195030			A	
2155292-8			X1		2191126	109-23	2	M1	S	2195030-2			X1	S
2155294	20-43	1			2191126-1	109-	2	M1	S	2195030-4			M1	S
2155363	62-2	2			2191127	109-22	2	M1	S	2195030-6			M1	B
2156869	7-5	2			2191127-1	109-	2	M1	S	2195031	109-18	2	M	S
2156893	7-22	2	X2		2192006	7-53	2	P	S	2195031-1	109-	2	M	S
2156982	109-	4	P	B	2192061	63-2	1	M	S	2195033	63-1	2	P	B
2156982-2			X1	S	2192061-2			M	S	2195033-2			M	S
2156982-4	109-72	4	X1	S	2192073-6	62-57	6			2195056	63-7	2	P	S
2157746	74-5	1			2192073-8	62-	6			2195056-2			X1	S
2157747	74-6	1			2192075-10	62-58	6			2195056-4			X1	S
2157748	74-7	1			2192075-12	62-	6			2195060			M1	S
2157749	74-8	1			2192184	131-14	2	P	S	2195060-2			X1	S
2157750	74-9	1			2192192			M1	B	2195067			P2	S
2157751	74-10	1			2192192-2			X1	S	2195069	61-30	1		
2157752	74-11	1			2192192-4			X1	S	2195073			P	S
2157787	121-1	4			2192617	112-52	2			2195074			M1	S
2157788	121-3	4			2192630	116-40	2	P	B	2195074-1			M1	S
2157837-2	72-119	1	M1	S	2192630-2			M	S	2195126			M	S
2157837-4	72-20	1	M1	S	2192638			P	S	2195126-1			X1	S
2157838	72-81	1			2192643	131-55	1	P1	S	2195127	96-42	1		
21580888	126-15	1	P1	S	2192648	131-51	1			2195129			M	B
2158542	91-13	1			2192650	131-48	1			2195130	86-18	1		
2158573	109-17	4			2192663	131-41	1	X2	B	2195157			M1	S
2158737	72-12	2	M1	S	2192670	11-11	2	M	S	2195158			M1	B
2158761			M1	S	2192701	74-22	1			2195198			M1	B
2158776	9-66	4	M1	B	2192702	74-21	1			2196502	36-28	2	M1	S
159581	76-	2	A		2192704	131-57	2			2196503	36-36	1	P	S
9581-2			X1	S	2192704-2			M	S	2196503-1			P	S
9581-4	76-74	2	M1	S	2192704-4			M	S	2196565			X2	S
59628	72-97	1			2192705	72-104	1			2196609	23-37	1	A	
2159653	96-10	1			2192706	3-10	2	P	S	2196610			M1	B
2159654	96-	1			2192709	131-65	1			2196629			P	B
2159681	87-14	8			2192752	109-25	2	P1	S	2196629-2			M	S
2159696	96-23	2				109-92				2196629-4			M	S
2159704	64-83	1			2192753	109-	2	P	B	2196630			P	S
2159734			P1	S		109-91				2196630-2			X1	S
2159756			X2	B	2192753-2			M	S	2196630-4			X1	S

**Section III
Numerical Index**

T.O. 1B-26K-4

PART NUMBER	FIGURE & INDEX NUMBER	QTY PER ART.	SOURCE CODE	REPAIR CODE	PART NUMBER	FIGURE & INDEX NUMBER	QTY PER ART.	SOURCE CODE	REPAIR CODE	PART NUMBER	FIGURE & INDEX NUMBER	QTY PER ART.	SOURCE CODE	REPAIR CODE
2196636	88-25	1			2204869	26-100	4			2206701				
22A21-6-02	100-	3			2204949	101-66	1	M1	S	2206732	23-60	2	M	S
22D12-02	73-34	4			2204949-1	101-	1	M1	S	2206732-2			X1	S
22D16-02	74-	1			2204957	101-53	1	P	B	2206735	109-77	2	P1	S
22K1-02	71-	98			2204957-2					2206735-1	36-108	REF	P1	S
	71-				2204958	101-50	1	M	S	2206737			P	S
	80-125				2204958-2					2206747			U	S
	128-				2205A	14-	2			2206796	90-29	4		
	128-				2205014			M1	B	2206847	126-79	1	M1	S
	128-				220506-1			M1	S	2206877	13-122	2	P	S
	128-				2205065	101-68	2	M1	S	2206877-2			X1	S
	128-				2205078	51-	2	M1	S	2206948			M	S
	128-				2205080	51-25	2	M	S	2206948-1			M	S
	128-28				2205122	101-19	2	M1	S	2206998	24-21	1		
	128-58				2205122-2			M1	S	2207008-2	58-39	4		
	128-69				2205141	51-43	4	M1	S	2207053	126-33	1	M	S
220C	86-2	1			2205141-2			X1	S	2207055			M1	S
	87-1				2205141-4			X1	S	2207058	101-10	1		B
	87-2				2205171			P	S	2207082				
	89-3				2205188	101-	1	M1	S	2207086			M	S
22005-4-A1	35-57	2			2205189	101-22	1	X1	S	2207100			M	S
22005-4A1	77-65	2			2205202	101-37	1			2207217			M	S
2201486			P	S	2205210	100-	2			2207217-2			M1	S
2201486-2			X1	S	2205220	101-	1	A		2207222			M	S
2201487			P	S	2205220-2			P	S	2207223			M	S
2201487-2			X1	S	2205239	100-5	2			2207244			M	S
2201491-2			M1	S	2205253			M1	S	2207244-1			P	S
2201491-4			M1	S	2205253-2			X1	S	2207365	88-17	1	P1	S
2201564			M	S	2205253-6			X1	S	2207365-1	88-	1	P1	S
2202008-2	58-12	4			22052534			X1	S	2207366	88-15	2		
2202008-4	58-13	4			2205306					2207445				
2202248	134-15	1	M1	S	2205307	23-19	1			2207445-1	109-107	2	X2	S
2202248-2			X1	S	2205340	23-20	1			2207544	6-24	1	M	S
2202248-4			X1	S	2205344	33-83	1			2207634			M	S
2202265			X2	S	2205415	33-115	1			2207641	88-21	1		
2202376			P	S	2205415	83-57	2			2207676	13-47	2		
2202377			P	B	2205582			P	B	2207679	24-13	1	P	S
2202424			M1	S	2205585			M1	S	2207823	84-9	1		
2202449	96-35	2			2205617			M1	S	2207824	84-	1		
2202689	109-86	2	P	B	2205617-10			X1	S	2207840				
2202689-1	109-	2	P	B	2205617-12			X1	S	2207842	51-35	4	M1	S
2202689-2			M	S	2205617-14			X1	S	2207843	51-	4	M	S
2202689-3			M	S	2205617-2			M	S	2207871			M1	S
2202689-4			M	S	2205617-4			U		2207875			X2	S
2202689-6			M	S	2205617-6			U		2207898	127-22	7	M	S
2202689-7			M	S	2205617-8			X1	S	2207899	129-95	7	P	S
2202807			M	S	2205648			M1	S	2207950	114-3	2		
2202807-1			M	S	2205723			P	S	2207973			M1	S
2202829			X2	B	2205738	7-10	2	P	S	2207975-500	122-45	1	M1	S
2202829-2			X1	S	2205738-2			X1	S	2207978	99-53	1		
2203098			M	S	2205738-4			X1	S	2207978-1	127-	7	A	
2203136			P1	S	2205738-6			X1	S	2207980	80-130	2		
2203284	87-12	2			2205738-8			X1	S	2207982	128-64	1		
2203364-2			M1	S	2205750	20-52	2	P	B	2207986	128-65	1		
2203364-4			P	S	2205750-2	83-21	1	X1	S	2207987	128-67	1		
2203365-2	117-28	2	P	S	2205751	83-25	1	P	S	2207989			P	S
2203365-4			P	S	2205752	83-40	1			2207990			M	S
2203372	117-27	4	M1	S	2205753	83-42	1			2207992	80-129	2	P	S
2203382-2			P	S	2205754	83-17	1			2207994	128-66	1	P	B
2203382-4			P	S	2205803	83-41	1	P	S	2207994-2	128-67	1	M	S
2203463	58-24	1			2205842	8-34	2			2207995			M1	S
2203501			P	S	2205842-2	64-92	2	P	B	2208021	128-	18		
2203649	132-27	1	P	S	2205846			X1	S	2208041	128-27			
2203883	7-25	1	M1	S	2205863	51-	2			2208041-2	128-57			
2203883-1	7-	1	M1	S	2205864	51-	2	M	B	2208042	129-15	2	M1	B
2203883-2			X1	S	2206030	51-15	1	M1	S	2208055			X1	S
2203883-3			X1	S	2206042	20-51	1	P	B	2208056			M	S
2203883-4			X1	S	2206042-2			X1	S	2208056-2	128-27		P1	S
2203990			M	S	2206044	20-50	1			2208058	128-57		M1	S
2203990-1			M1	S	2206052			P	S	2208063	129-15	2	M1	B
2204034	121-10	2	P	S	2206054			M1	B	2208064			X1	S
2204135	121-11	2	P	S	2206362	125-18	1	M1	B	2208078			M1	S
2204190			M1	B	2206373	6-8	2	M	S	2208135	127-47	1		
2204190-2			X1	S	2206384	125-9				2208136	127-48	1		
2204190-4			X1	S	2206391	125-16	1	P1	S					
2204190-6			X1	S	2206408	125-	1	P	S					
2204190-8			M	S	2206425			M1	S					
2204601			M1	S	2206589	78-89	1	M	S				M	S
2204774			X2	S	2206592	78-92	1	M1	S		128-63	1		
2204774-2			X1	S	2206595	78-98	1	M1	S		81-49	4	P	S
2204866			M	S	2206606	58-15	2				128-73	1		
2204868	26-99	5			2205079	51-	2				127-47	1		

T.O. 1B-26K-4

Section III
Numerical Index

PART NUMBER	FIGURE & INDEX NUMBER	QTY PER ART.	SOURCE CODE	REPAIR CODE	PART NUMBER	FIGURE & INDEX NUMBER	QTY PER ART.	SOURCE CODE	REPAIR CODE	PART NUMBER	FIGURE & INDEX NUMBER	QTY PER ART.	SOURCE CODE	REPAIR CODE
2208141	3-3	4			2208848	129-90	1			2275177	109-11	4	M	S
2208158			M	S	2208856	129-82	2			2275594	98-	6	P1	S
2208160	132-52	1	P	B	2208857			P	S	2275655			P	S
2208160-2			X1	S	2208866	129-91	1			2275659			M1	B
2208160-4			X1	S	2208883	129-83	2			2275659-2			X1	S
2208160-6			X1	S	2208890	72-39	3	P	S	2275675	13-	2	M1	S
2208161	126-7	1	M1	B		72-51				2275686			A	
2208161-2			X1	S		72-92				2285942			M	S
2208161-4			X1	S	2208973			M	B	2275862			A	
2208161-6			X1	S	2208984	59-27	1	P	S	2275862-1			A	
2208163	129-72	2	P	S	2208984-2			X1	S	2275870	99-28	2		
2208166			M	S	2208986	129-	1	P	B	2275871	99-29	2		
2208210	127-42	1			2208986-2	129-70	4	X1	S	2275884	132-46	1	P	S
2208223	128-20	2	M1	B	2208987	129-75	2	P	S	2275884-1	132-47	1	P	S
	128-50				2208987-1	129-	2	P	S	2275893	132-43	1	P	B
2208224	128-21	4			2208991	129-76	2			2275893-2			M	S
	128-51				2208993	59-26	1	P	B	2275893-4			M	S
2208225	128-22	2	P	S	2208993-2			X1	S	2275893-6			M	S
	128-52				2209010	78-96	1	P	S	2275914	132-45	4		
2208225-1	128-	2	P	S	22-0-11	78-91	1	P	S	2275938	13-27	4	P	S
	83-26				2209045			M	B		13-62			
2208235	127-35	1	P	S	2209072			P1	S	2275959			M	S
2208308	127-38	1			2209072-1			P1	S	2275965	127-53	1		
2208317	127-	1			2209073			X2	S	2275966	127-55	1		
2208317-1	128-62	1	M	S	2209-10	35-73	8			2275979	99-45	4		
2208327	127-9	1	M1	S	2209140	128-68	1			2276030	128-29	4	M1	S
2208328	127-	1	M1	S	2209143			M1	S		128-59			
2208328-1			M1	S	2209237			M1	S	2276042	134-	12		
2208328-2			X1	S	2209237-2			X1	S	2276057	81-40	6	P	S
2208341	127-36	1			2209247	26-16	1	M	S		81-80			
2208361	127-	1	M1	S	2209271	23-43	1	M1	S	2276163	90	2		
2208362	127-17	1	M1	S	2209312			M1	S	2276164	90-81	2		
2208363	129-71	4			2209339			M1	S	2276216-2	83-	1	P	S
2208364	129-	1	P	B	2209339-2			X1	S	2276216-4	84-	1	P	S
2208364-2	129-69	4	X1	S	2209339-4			X1	S	2276217	98-35	4		
2208401	129-57	1	M1	B	2209341			M1	B	2276217-1	98-	4		
2208401-2			X1	S	2209341-4			M	S	2276286			M	S
2208406	129-54	1	P	B	22093412			X1	S	2276302	98-49	2	M1	S
2208406-2			X1	S	2209342			M1	S	2276333	60-96	2		
2208422	129-60	4	P	S	2209413			M	S		61-64			
2208423			P	S	2209437			M1	B	2276334	60-87	2		
2208428	129-50	4	P1	S	2209437-1			M1	B		61-55			
2208448			M1	S	2209458-502	36-3	2			2276344			M1	S
2208448-1			M1	S	2209458-504	36-7	2			2276375			M1	S
2208448-2			M	S	2209458-506	36-4	2			2276382			M1	S
2208455			M1	S	2209458-508	36-6	2	M	S	2276402	60-89	4		
2208455-1			M1	S	2209459	36-16	1	M1	B		61-57			
2208502			M	S	2209459-1	36-17	1	M1	B	2276403	60-90	2		
2208517			M1	S	2209459-2			M1	S		61-60			
2208541	51-	2			2209459-3			M1	S	2276466			M1	S
2208604			M	S	2209460			M1	S	2276466-2			X1	S
2208615	129-59	4	M1	S	2209460-1			M1	S	2276466-4			X1	S
2208615-2			X1	S	2209462	36-13	4			2276477			P	S
2208618			M1	S	2209521	24-19	2			2276477-2			X1	S
2208702	7-42	4	P1	S	2209581			M	S	2276525	72-	1		
2208703			M	S	2209581-1			M	S	2276536			M	B
2208715	129-	2	P	B	2209627-502	36-10	2			2276536-2			M	S
2208733	122-49	2	P	B	2209627-510	36-9	2			2276536-4			M	S
	126-				2209701	98-39	8	M1	S	2276596	129-51	4		
2208733-2			X1	S	2209712	13-7	2			2276597	129-53	3	P	B
2208733-4			X1	S	2209753	90-80	2	M	S	2276597-2			X1	S
2208733-6			X1	S	2209754	90-72	2	M	S	2276723			M1	S
2208750			P	S	2209757	90-73	2	P	S	2276723-2			X1	S
2208752	65-63	1			221	68-33	1	X1	S	2276723-4			X1	S
2208754	129-79	1	M	S	2210514			P	B	2276729			M	S
2208754-2			X1	S	2210514-2			M	S	2276741			M	B
2208755	129-80	1	P	S	2210514-4			M	S	2276748	126-27	1	P	S
2208755-1	129-81	1	P	S	2212A	14-	4			2276852			P	S
2208755-2			X1	S	222-2			M1	S	2276852			P	S
2208755-4			X1	S	222-3			M1	S	2276859			X2	S
2208789			M	S	222-4			X1	S	2276927			M	S
2208820	129-56	3	M1	B	222-5			X1	S	2277001	74-24	1		
2208820-2			X1	S	222-6			X1	S	2277044-2			M1	S
2208821	129-78	1	M	S	223	68-50	1	M1	S	2277044-4			X1	S
2208821-2			X1	S	223-73102	4-25	1			2277076	129-5	3		
2208832	129-85	4			224	68-39	1	M	S	2277076-1	129-	4		
2208845	129-89	1	M1	S	22411-502			M	S	2277092	129-6	3		
2208845-2			X1	S	2251A					2277092-1	129-	4		
2208846	129-87	2	M1	S	2255AC	14-	2			2277093	128-17	7		
2208846-2			X1	S	2274430			P	D		128-47			
2208847	129-88	2	M1	S	2275003			M	S	2277109	62-50	2		
2208847-2			X1	S	2275014	9-23	1			2277110	62-49	2		

Section III
Numerical Index

T.O. 1B-26K-4

PART NUMBER	FIGURE & INDEX NUMBER	QTY PER ART.	SOURCE CODE	REPAIR CODE	PART NUMBER	FIGURE & INDEX NUMBER	QTY PER ART.	SOURCE CODE	REPAIR CODE	PART NUMBER	FIGURE & INDEX NUMBER	QTY PER ART.	SOURCE CODE	REPAIR CODE
2277151	129-10	2			2279518-502	114-92	4	P	S	26-0103-10			M	S
2277164			X2	S	2279518-504	115-64	2	P	S	26-0103-11			M	S
2277207	129-23	1			2279556			M	B	26-0103-12			M	S
2277224	119-1	1	M1	S	2279556-2			M	S	26-0103-13			M	S
2277224-1	119-1	1	M1	S	2279556-4			M	S	26-0103-14			M	S
2277291	129-25	2			2279558			M1	S	26-0103-15			M	S
2277294			M1	S	2279586			M	S	26-0103-16			M	S
2277294-2			X1	S	2279651			M1	S	26-0103-17			M	S
2277294-4			X1	S	2279652	62-8	2			26-0103-18			M	S
2277311-502			M	S	2279653			M1	S	26-0103-19			M	S
2277311-504			M	S	2279655	98-28	2	M	S	26-0103-20			M1	S
2277311-506			M	S	2279655-2			X1	S	26-0103-21			M	S
2277311-508			M	S	2279655-4			X1	S	26-0103-2			M	S
2277311-510			M	S	2279656	98-27	4	M	S	26-0103-3			M1	S
2277313-502			M	S	2279656-2			X1	S	26-0103-4			M1	S
2277313-504			M	S	2279656-4			X1	S	26-0103-5			M1	S
2277313-506			M	S	2279835			M	S	26-0103-6			M1	S
2277313-508			M	S	2279888			M	S	26-0103-7			M1	S
2277314-502			U		2280145			U		26-0103-8			M1	S
2277314-504			M	S	2280146	98-8	6			26-0103-9			M1	S
2277326	129-39	5			2280484	99-38	1			26-0104	118-47	1		S
2277371	129-47				2280598	26-110	1			26-0104-1			X1	S
2277430	116-41	2			2280599	24-102	1			26-0104-2			X1	S
2277430	84-42	1			2283943			A		26-0104-3			X1	S
2277431	84-42	1	P1	B	2284598	72-47	1			26-0104-4			P1	S
2277431-2	84-43	1	X1	S	2284599	72-49	1	P	S	26-0105	118-46	1		S
2277433	84-45	1	P	S	2284599-1	72-36	1	P	S	26-0105-1			X1	S
2277456	84-41	1	P	S	2284650	72-37	4			26-0105-2			X1	S
2277487	129-62	4	M	S		72-50				26-0105-3			X1	S
2277497-502			M	S	2284652			M1	S	26-0106	118-54	1		S
2277497-504			M	S	2284655	72-38	1	M1	S	26-0106-1			M1	S
2277497-506			M	S	2285287	72-40	2			26-0107			A	S
2277499			M	S		72-52				26-0107-1	118-	2		S
2277508	109-34	2	P	S	229	80-77	2			118-43				S
2277509			P	S	2292874			P	B	26-0107-2			M1	S
2277547	129-32	1			238723F12	42-20	1			26-0108-2	118-48	1	P	S
2277667			M1	S	240169F3	103-17	1			26-0108-3	118-49	1	P	S
2277667-2			X1	S	2411777			P	S	26-0108-4	118-42	2	P	S
2277667-4			X1	S	24932	14-	2			26-0109			A	S
2277678			M	S	24941	14-	2			26-0109-1	118-	1		S
2277699			M	S	250765-2			X1	S	26-0109-2	118-50	1	M	S
2277725			M	S	2552-064	110-	6			26-0110			U	S
2277767	3-16	2				110-				26-0110-2	117-52	1	M1	S
2277768	3-13	2				110-				26-0110-3			M	S
2277769	3-14	2			256-20	80-33	1			26-0111-10			M1	S
2277774	129-11	1			26839-1	46-20	12			26-0111-11			M1	S
2277787	83-66	1			26-0000			U		26-0111-12			M1	S
2277819	3-12	2			26-0000-1	2-	1			26-0111-13			M1	S
2277820	3-15	2			26-0017-1	2-16				26-0111-14			M1	S
2277826	84-31	1	P	S		3-				26-0111-15			M1	S
2277826-2			X1	S	26-0017-2	2-17				26-0111-16			M1	S
2277826-4			X1	S		3-				26-0111-17			M1	S
2277848	13-99	4			26-0018-1	3-	1	P2	D	26-0111-18			M1	S
2277914	13-102				26-0019	2-33	1	X		26-0111-19			M1	S
2277915	84-40	1	P	S	26-0019-1	4-		U		26-0111-2			M1	S
2277952	84-47	1	P	S	26-0020			U		26-0111-20			M1	S
2277952-2			M1	B	26-0020-1	2-31				26-0111-21			M1	S
2277952-4			M1	S	26-0021-1	3-17	1	A1		26-0111-22			M1	S
2277956			M1	S		110-				26-0111-23			M1	S
2277986			X1	S	26-0021-2	117-				26-0111-24			M1	S
2278003			M1	S		3-	1	A1		26-0111-25			M1	S
2278024	98-5	6	P	S	26-0022-1	110-				26-0111-26			M1	S
2278024-2			X1	S		110-50	1			26-0111-27			M1	S
2278047			M	S	26-0022-2	116-				26-0111-3			M1	S
2278076	98-6	6	P	S		110-	1			26-0111-4			M1	S
2278076-1	98-	6	P	S	26-0023	116-		U		26-0111-5			M1	S
2278116	128-42	1			26-0023-1					26-0111-6			M1	S
2278133	128-12	1	M1	S		4-38	1			26-0111-7			M1	S
2278448	126-72	1	P	S	26-0025-1	132-				26-0111-8			M1	S
2278449	126-74	2			26-0026-1	4-				26-0111-9			M1	S
2278539	13-89	2	P	S		4-2				26-0112-2	118-3	1	A	S
2278805	81-	20	P	S	26-0027	75-				26-0112-3	118-4	1	A	S
2278860			M1	S	26-0027-1	76-				26-0112-4	118-	1	M1	S
2278860-2			X1	S	26-005	75-55	NP			26-0112-5	118-	1	M1	S
2279149			P	S	26-0102			U		26-0112-6	118-	2	M1	S
2279245	114-114	2				118-14	2	P	S	26-0113			U	S
2279265			U			119-1				26-0114-2L			M1	S
2279518-2			X1	S	26-0102-2	120-1				26-0114-2R			M1	S
2279518-4			X1	S	26-0103			X1		26-0114-3			M1	S
2279518-5			P	S	26-0103-1	118-	1	U		26-0115			U	S
2279518-500	114-129	2				118-34	1	P2	T	26-0115-1			M1	S
										26-0116	117-44	2	P1	S

T.O. 1B-26K-4

Section III
Numerical Index

PART NUMBER	FIGURE & INDEX NUMBER	QTY PER ART.	SOURCE CODE	REPAIR CODE	PART NUMBER	FIGURE & INDEX NUMBER	QTY PER ART.	SOURCE CODE	REPAIR CODE	PART NUMBER	FIGURE & INDEX NUMBER	QTY PER ART.	SOURCE CODE	REPAIR CODE
26-0117			U		26-10005-16			X1		26-1001-12			M	S
26-0118			U		26-10005-17			X1		26-1001-13			M	S
26-0119			U		26-10005-18			X1		26-1001-14			M	S
26-0121	118-				26-10005-19			X1		26-1001-15			M	S
26-0121-10			M	S	26-10005-2	106-5	1	P1	F	26-1001-16			M	S
26-0121-10					26-10005-20			X1		26-1001-17	121-22	1	X2	S
26-0121-3	118-65	1	U		26-10005-21			X1		26-1001-2L			M1	S
26-0121-4	118-37	1	M1	S	26-10005-22			X1		26-1001-2R			M1	S
26-0121-5	118-44	1	P	S	26-10005-23			X1		26-1001-3			M1	S
26-0121-6			P	S	26-10005-24			X1		26-1001-4			M1	S
26-0121-7			P	S	26-10005-25			X1		26-1001-5			X1	S
26-0121-8	118-40	1	M		26-10005-26			X1		26-1001-6			X1	S
26-0121-9	118-	1	A		26-10005-27			X1		26-1001-7			M	S
26-0125-2			M	S	26-10005-28			X1		26-1001-8			M	S
26-0125-3	117-50	2			26-10005-29			X1		26-1001-9			M	S
26-0125-3L			M1	S	26-10005-3	106-6	1	P1	F	26-10010	102-70			S
26-0125-3R			M1	S	26-10005-30			X1		26-10010-1	107-			
26-0125-4	117-51	2			26-10005-31			X1		26-10010-1	107-5	1	P1	F
26-0125-4L			M1	S	26-10005-32			X1		26-10010-10	107-8	4	M	
26-0125-4R			M1	S	26-10005-33			X1		26-10010-11	107-9	4		
26-0125-5L			M1	S	26-10005-34			X1		26-10010-12	107-4	2	M	
26-0125-5R			M1	S	26-10005-35			X1		26-10010-13	107-3	8	M	S
26-0126-2			M	S	26-10005-36			X1		26-10010-2	107-2	2	P1	F
26-0126-3	117-56	2			26-10005-37			X1		26-10010-3			M	
26-0126-3L			M1	S	26-10005-38			X1		26-10010-4			M	
26-0126-3R			M1	S	26-10005-39			X1		26-10010-5			M	
26-0126-4			M	S	26-10005-4	106-7	1	P1	F	26-10010-6	107-6	4	M	
26-0132	76-	1	P	S	26-10005-40			X1		26-10010-7			M1	
26-0132-1			X1	S	26-10005-41			X1		26-10010-8			M	
26-0132-2			X1	S	26-10005-5			X1		26-10010-9			M	
26-0132-3			X1	S	26-10005-6			X1		26-10011			U	
26-0132-4			X1	S	26-10005-7			X1		26-10011-1			M1	
26-0132-5			X1	S	26-10005-8			X1		26-10011-10			M1	
26-0132-6			X1	S	26-10005-9			X1		26-10011-100	124-1	1	P1	F
26-0133	76-	1	U		26-10006	102-68		U		26-10011-101	124-2	1	P1	F
26-0133-1	76-99	1	M1							26-10011-11			M	
26-0133-2	76-100	1	M1		26-10006-1	105-		U		26-10011-12			M	
26-0200-2			P	S	26-10006-2			U		26-10011-12			M	
26-0201			P1	S	26-10007-1	105-8	1	P1	F	26-10011-13			M1	
26-0201-1					26-10007-10			X1		26-10011-14			M1	
26-0210			P1	S	26-10007-11			X1		26-10011-15			M	
26-1000			U		26-10007-12			X1		26-10011-16			M	
26-10001	2-28		U		26-10007-13	105-10	4	X1		26-10011-17L			M	
	102-				26-10007-14			X1		26-10011-17R			M	
26-10002	102-		U		26-10007-16			X1		26-10011-18L			M	
26-10002-1L			X1		26-10007-17			X1		26-10011-18R			M	
26-10002-1R			X1		26-10007-18			X1		26-10011-19	124-11	1	M	
26-10002-2			X1		26-10007-19			X1		26-10011-2			M	
26-10002-3L	102-23	1	M		26-10007-2	105-7	1	P1	F	26-10011-20			M	
26-10002-3R	102-	1	M		26-10007-20	105-10	4	X1		26-10011-21			M	
26-10002-4			M		26-10007-3			X1		26-10011-22			M	
26-10002-5	102-22	1	M1		26-10007-4			X1		26-10011-23			M	
26-10002-6	102-	1	M1		26-10007-5			X1		26-10011-24			M	
26-10003-1	102-20	1	P1	F	26-10007-6			X1		26-10011-25			M	
26-10003-10			X1		26-10007-7			X1		26-10011-26			M	
26-10003-11			X1		26-10007-8			X1		26-10011-27			M	
26-10003-12			X1		26-10007-9			X1		26-10011-28			M	
26-10003-14			X1		26-10008	102-67		U		26-10011-29			M	
26-10003-15			X1			104-				26-10011-3	124-6	1	M	
26-10003-16			X1		26-10008-1	104-9	1	P1	F	26-10011-30			M	
26-10003-17			M1	S	26-10008-10			X1		26-10011-31			M	
26-10003-18			M1		26-10008-11			X1		26-100-11-32			M	
26-10003-19			X1		26-10008-13			X1		26-10011-33			M	
26-10003-2	102-13	1	P1	F	26-10008-14			X1		26-10011-34	124-6	1	M	
26-10003-20			X1		26-10008-15			X1		26-10011-35			M	
26-10003-21	102-17	1			26-10008-17	104-10	2	M1	S	26-10011-36			M	
26-10003-22	102-18	1			26-10008-19			X1		26-10011-37			M	
26-10003-3			X1		26-10008-2			X1		26-10011-38			M	
26-10003-4			X1		26-10008-21			M	S	26-10011-39			M	
26-10003-5			X1		26-10008-23			M	S	26-10011-4	124-9	2	M	
26-10003-7			X1		26-10008-3			X1		26-10011-40			M	
26-10003-8			X1		26-10008-4			X1		26-10011-41			M	
26-10003-9			X1		26-10008-5			X1		26-10011-42			M	
26-10004	102-69		U		26-10008-6			X1		26-10011-43L			M	
	106-				26-10008-7			X1		26-10011-43R			M	
26-10005-1			P1	F	26-10008-8			X1		26-10011-44			M	
26-10005-10			X1		26-10008-9			X1		26-10011-45	124-16	2	M	
26-10005-11			X1		26-1001	4-1		U		26-10011-45R	124-17	1	M	
26-10005-12			X1			121-				26-10011-46			M	
26-10005-13			X1		26-1001-1	121-	1	P1	S	26-10011-47			M	
26-10005-14			X1		26-1001-10			M	S	26-10011-48			M	
26-10005-15			X1		26-1001-11			M	S					

**Section III
Numerical Index**

T.O. 1B-26K-4

PART NUMBER	FIGURE & INDEX NUMBER	QTY PER ART.	SOURCE CODE	REPAIR CODE	PART NUMBER	FIGURE & INDEX NUMBER	QTY PER ART.	SOURCE CODE	REPAIR CODE	PART NUMBER	FIGURE & INDEX NUMBER	QTY PER ART.	SOURCE CODE	REPAIR CODE
26-10011-49			M		26-10016-3L	132-69	4	M1	S	26-1004-16			X1	
26-10011-50			M		26-10016-3R	132-	4	M1	S	26-1004-17			X1	
26-10011-51L			M	S	26-10016-4L	132-71	2	M1	S	26-1004-18			X1	
26-10011-51R			M	S	26-10016-4R	132-	2	M1	S	26-1004-19			X1	
26-10011-52			M		26-10017-1	106-	1			26-1004-2			M1	S
26-10011-53L			M	S	26-10017-11	104-16	1			26-1004-20			X1	
26-10011-53R			M	S		105-17	1			26-1004-21			X1	
26-10011-54L			M	S		106-15	1			26-1004-22			X1	
26-10011-54R			M	S	26-10017-13	105-11	1			26-1004-23			X1	
26-10011-55			M1	S	26-10017-15	104-17	1			26-1004-24			M	S
26-10011-56			M	S		104-18	1			26-1004-25			M1	S
26-10011-57			M	S		105-16	1			26-1004-26			M	S
26-10011-58			M	S		105-18	1			26-1004-27			M1	S
26-10011-59	124-7	1	M	S		106-16	1			26-1004-28L			M1	S
26-10011-7			M			106-17	1			26-1004-28R			M1	S
26-10011-8			M		26-10017-17	104-20	1			26-1004-29L			M1	S
26-10011-9			M			105-20				26-1004-29R			M1	S
26-10012-1	102-72					106-19	1			26-1004-3			X1	
	107-				26-100-3	105-	1			26-1004-30			M1	S
26-10012-2	107-23	1			26-10017-5	104-8	1			26-1004-31			X1	
26-10012-22	107-16	1				105-11	1			26-1004-4			X1	
26-10012-24	107-10	1				106-11	1			26-1004-6			X1	
26-10012-25	107-	1			26-10017-7	104-	1			26-1004-7			X1	
26-10012-26	107-11	1				105-	1			26-1004-8			X1	
26-10012-27	107-13	1				106-	1			26-1004-9			X2	
26-10012-28	107-12	1			26-10017-9	105-	1			26-1005-1L			A	
26-10012-29	107-14	1			26-10018-1	78-				26-1005-1R			A	
26-10012-3	107-22	1			26-10018-3			M	S	26-1005-10			M	S
26-10012-4	107-17	1			26-10018-5			M	S	26-1005-11			M	S
26-10012-5	107-20	3			26-10018-7			M	S	26-1005-12			M1	S
26-10012-6	107-21	2			26-10018-9	102-71				26-1005-13			M1	S
26-10013	102-54					108-				26-1005-14			M1	S
26-10013-1	102-55	1	M		26-10019	102-65		M		26-1005-15			M1	S
26-10013-2			M		26-10019-1	102-66	1			26-1005-16			M1	S
26-10013-2L	102-62	1			26-10020-1	107-25	1	M1		26-1005-17			M1	S
26-10013-2R	102-63	1			26-10020-3			X1		26-1005-18			X1	
26-10013-3			M		26-10020-7			X1		26-1005-19			X1	
26-10013-3L	102-59	1			26-10020-9			X1		26-1005-2			M1	S
26-10013-3R	102-60	1			26-1003			U		26-1005-20			X1	
26-10013-4			M		26-1003-1L			A		26-1005-21			X1	
26-10013-4L	102-64	2			26-1003-1R			A		26-1005-22			X1	
26-10013-4R	102-65	2			26-1003-11			M1	S	26-1005-23			X1	
26-10013-5			M		26-1003-12			M1	S	26-1005-24			X1	
26-10013-6	102-57	1	M	S	26-1003-13			M1	S	26-1005-25			X1	
26-10014-1			M1		26-1003-14			M1	S	26-1005-27			M	S
26-10014-10			M		26-1003-15			M1	S	26-1005-28			M1	S
26-10014-11			M		26-1003-16			M1	S	26-1005-29			M1	S
26-10014-12			M		26-1003-17			M1	S	26-1005-3			X1	
26-10014-13	104-5	1	M1		26-1003-18			M1	S	26-1005-30			M1	S
26-10014-14			M		26-1003-19			X1		26-1005-4			X1	
26-10014-15			M		26-1003-2			M1	S	26-1005-5			X1	
26-10014-16			M		26-1003-20			X1		26-1005-6			X1	
26-10014-17			M		26-1003-21			X1		26-1005-7			X1	
26-10014-18			M		26-1003-22			X1		26-1005-8			X1	
26-10014-19			M		26-1003-23			X1		26-1005-9			X2	
26-10014-2			M		26-1003-24			X1		26-1006			U	
26-10014-20			M		26-1003-25			X1		26-1006-1L			A	
26-10014-21			U		26-1003-26			X1		26-1006-1R			A	
26-10014-22			M		26-1003-27			M	S	26-1006-10			M1	
26-10014-23			M		26-1003-28			X1		26-1006-11			M1	
26-10014-24			M	S	26-1003-29			M	S	26-1006-12			M1	
26-10014-25			M	S	26-1003-3			X1		26-1006-13			M1	
26-10014-3			M		26-1003-30			M1	S	26-1006-14			M1	
26-10014-4			M		26-1003-4			X1		26-1006-15			M1	
26-10014-5			M		26-1003-5			X1		26-1006-16			M1	
26-10014-6			M		26-1003-6			X1		26-1006-17			M1	
26-10014-7			M		26-1003-7			X1		26-1006-18			M1	
26-10014-8			M		26-1003-8			X1		26-1006-19			X1	
26-10014-9			M		26-1003-9			X2		26-1006-2			M1	S
26-10015-1	102-		U		26-10030-1			P	S	26-1006-20			X1	
26-10015-2	102-53	1	A		26-10030-3			P	S	26-1006-21			X1	
			X2	S	26-10031					26-1006-22			X1	
26-10015-3			P1	S	26-10031-1	102-8	4			26-1006-23			X1	
26-10015-4			M		26-1004			U		26-1006-24			X1	
26-10015-5			X1	S	26-1004-1L			A		26-1006-25			X1	
26-10015-6			X1	S	26-1004-1R			A		26-1006-26			X1	
26-10015-7			M		26-1004-11			M	S	26-1006-27			M	S
26-10015-8			M		26-1004-12			M1	S	26-1006-28			M1	S
26-10015-9			M	S	26-1004-13			M1	S	26-1006-4			X1	
26-10016-1L	132-70	2	M1	S	26-1004-14			M1	S	26-1006-5			X1	
26-10016-1R	132-	2	M1	S	26-1004-15			M1	S	26-1006-6			X1	
26-10016-2L	132-68	6	M1	S						26-1006-7			X1	
26-10016-2R	132-	6	M1	S										

PART NUMBER	FIGURE & INDEX NUMBER	QTY PER ART.	SOURCE CODE	REPAIR CODE	PART NUMBER	FIGURE & INDEX NUMBER	QTY PER ART.	SOURCE CODE	REPAIR CODE	PART NUMBER	FIGURE & INDEX NUMBER	QTY PER ART.	SOURCE CODE	REPAIR CODE
26-1006-8			X1		26-1013-107			M1		26-1015-3			M1	S
26-1006-9			X2		26-1013-109			M1		26-1015-4			M1	S
26-1007			U		26-1013-11			U		26-1015-5			M1	S
26-1007-10L			X2		26-1013-110			M1		26-1015-6			M	S
26-1007-10R			X2		26-1013-111			M1		26-1015-7			M	S
26-1007-11L			X2		26-1013-112			M1		26-1015-8			M1	S
26-1007-11R			X2		26-1013-12L	92-	1	P1	F	26-1015-9			M	S
26-1007-12			M1	S	26-1013-12R	92-	1	P1	F	26-1016			U	
26-1007-13			M1	S	26-1013-13L	92-	1	P1	F	26-1016-1	5-		M1	S
26-1007-14			M1	S	26-1013-13R	92-	1	P1	F	26-1016-2	92-43	8	M1	S
26-1007-15			M1	S	26-1013-14L	92-	1	P1	F	26-1017			M1	S
26-1007-16			M	S	26-1013-14R	92-	1	P1	F	26-1017-2			X1	S
26-1007-17			M	S	26-1013-15L	92-	1	P1	F	26-1017-3			X1	S
26-1007-18			M	S	26-1013-15R	92-	1	P1	F	26-1017-4			X1	S
26-1007-19			M	S	26-1013-16			U		26-1017-5			X1	S
26-1007-2L			M	S	26-1013-17	92-6	2	A		26-1017-6			M	S
26-1007-2R			M	S	26-1013-18			U		26-1024	98-		P2	D
26-1007-20			M	S	26-1013-19	92-5	2	A		26-1024-1	99-			
26-1007-21			M	S	26-1013-20			U			2-1	2	X2	
26-1007-22			M	S	26-1013-21	92-	2	A			98-			
26-1007-23			M	S	26-1013-22			U			99-			
26-1007-24			M	S	26-1013-23	92-	2	A		26-1024-3	99-3	6		
26-1007-25			M	S	26-1013-24			U		26-1025			P2	D
26-1007-26L			M	S	26-1013-24L			U		26-1025-1	2-2	1		
26-1007-26R			M	S	26-1013-24R			U			100-			
26-1007-27L			M	S	26-1013-25	92-	2	A		26-1026-1	99-	1	U	
26-1007-27R			M	S	26-1013-26			U		26-1026-11			X1	
26-1007-28			M	S	26-1013-27	92-	2	A		26-1026-13			X1	
26-1007-29L			M	S	26-1013-28			M		26-1026-15			X1	
26-1007-29R			M	S	26-1013-29	92-	2	A		26-1026-17			X1	
26-1007-3L			M	S	26-1013-3			U		26-1026-2	99-	1	U	
26-1007-3R			M	S	26-1013-30			U		26-1026-3	99-32	2	M1	S
26-1007-30			M	S	26-1013-31	92-	2	A		26-1026-5	99-33	2	M1	S
26-1007-31L			M	S	26-1013-32			U		26-1026-7	99-34	2	M1	S
26-1007-31R			M	S	26-1013-33	92-	8	M1		26-1026-9			X1	
26-1007-32			M	S	26-1013-35	92-	8	M1		26-1027-1	117-	1	A	
26-1007-4R			M	S	26-1013-37	92-	8	M1		26-1027-2	117-	1	P2	D
26-1007-41			M	S	26-1013-39	92-	8	M1		26-1028-1			U	
26-1007-5L			M	S	26-1013-4	92-2		U		26-1028-13	80-113	1	U	
26-1007-5R			M	S	26-1013-41	92-3	8	M1		26-1028-15			U	
26-1007-6L			M	S	26-1013-43	92-	8	M1		26-1028-17			U	
26-1007-6R			M	S	26-1013-45	92-9	14	M1		26-1028-19			U	
26-1007-7L			M	S		92-				26-1028-2			U	
26-1007-7R			M	S	26-1013-47	92-10	2	M1		26-1028-21			U	
26-1007-8L			X2		26-1013-49	92-11	8	M1		26-1028-3			U	
26-1007-8R			X2		26-1013-5			U		26-1028-4			U	
26-1007-9L			X2		26-1013-51			M1		26-1028-5			U	
26-1007-9R			X2		26-1013-53			M1		26-1028-6			U	
26-1008			M1	S	26-1013-55			M1		26-1029-1			M1	S
26-1010	2-14		A		26-1013-57			M1		26-1030-1			M	S
26-1010-1	92-				26-1013-59			M1		26-1030-2			M	S
26-1010-10	92-	8	P2	B	26-1013-6			U		26-1031-1			M1	S
26-1010-11			X1	S	26-1013-61			M1		26-1032-1			M1	S
26-1010-12L			X1	S	26-1013-63			M1		26-1033-1			M	S
26-1010-12R			X1	S	26-1013-65			M1		26-1034-1			M	S
26-1010-13			X1	S	26-1013-67			X1		26-1035-1			M	S
26-1010-14			X1	S	26-1013-69			X1		26-1037-1	132-	1	U	
26-1010-16			X1	S	26-1013-7			U		26-1037-101	132-61	1		
26-1010-17			X1	S	26-1013-71			X1		26-1037-2	132-62	8	M	S
26-1010-2	92-13	8	P2	S	26-1013-73			X1		26-1038-1			M1	S
26-1010-28	92-26	16			26-1013-75			X1		26-1040-1			M	S
26-1010-29	92-29	8			26-1013-77			X1		26-1041-1			M	S
26-1010-3			X1	S	26-1013-79			X1		26-1042-1			M	S
26-1010-30	92-31	8	M		26-1013-8			U		26-1043-1			M	S
26-1010-4			X1	S	26-1013-81			X1		26-1044-1			M	S
26-1010-5			X1	S	26-1013-83			X1		26-1045-1			M	S
26-1010-6			X1	S	26-1013-85			X1		26-1046-1			M	S
26-1010-7			X1	S	26-1013-87			X1		26-1047-1			M1	S
26-1010-8			X1	S	26-1013-89			X1		26-1049-1			M	S
26-1010-9			X1	S	26-1013-9			U		26-1050-1	92-	8	A	
26-1011	92-37	40	P	S	26-1013-91			X1		26-1050-2	92-	16	A	
26-1011-1			X1	S	26-1013-93			M1			92-			
26-1011-2			X1	S	26-1013-95			M1		26-1050-3	92-	8	A	
26-1011-3			X1	S	26-1013-97			M1		26-1050-5	92-38	8	M1	S
26-1011-59	124-9	1	X1	S	26-1013-99			M1		26-1050-6	92-39	16	M1	S
26-1013			U		26-1014			U			92-41			
26-1013-1			U		26-1014-1	2-10	2	M1	S	26-1050-7	92-40	8	M1	S
26-1013-10			U		26-1015-1			M1	S	26-1051-1	92-	2	A	S
26-1013-101			M1		26-1015-10			M	S	26-1051-2	92-	2	A	S
26-1013-103			M1		26-1015-11	5-		U		26-1051-3	92-	2	A	S
26-1013-105			M1		26-1015-12	5-		U		26-1051-4	92-	2	A	S
					26-1015-2			M1	S	26-1051-5	92-	2	M1	S

T.O. 1B-26K-4

Section III
Numerical Index

PART NUMBER	FIGURE & INDEX NUMBER	QTY PER ART.	SOURCE CODE	REPAIR CODE	PART NUMBER	FIGURE & INDEX NUMBER	QTY PER ART.	SOURCE CODE	REPAIR CODE	PART NUMBER	FIGURE & INDEX NUMBER	QTY PER ART.	SOURCE CODE	REPAIR CODE
26-1208-1	71-	1	A		26-1507-2			M1	S	26-1519-1R	116-	1	U	
26-1208-11	71-20	2			26-1507-3			M	S	26-1519-2L			M1	S
26-1208-3	71-14	1	M		26-1507-4			M	S	26-1519-2R			M1	S
26-1208-5	71-15	1	M		26-1507-5			M	S	26-1519-3L			M1	S
26-1208-7	71-16	1	M		26-1507-6			M	S	26-1519-3R			M1	S
26-1208-9	71-17	1	P1	S	26-1507-7			M	S	26-1519-4L	116-	1	X2	
26-1209			U		26-1507-8			M1	S	26-1519-4R	116-	1	X2	
26-1209-1	4-14		M1		26-1508-1	116-2	2	M		26-1519-5L	116-28	1	X2	
26-1209-3			X1		26-1508-2	116-3	2	M		26-1519-5R	116-	1	X2	
26-1209-5			X1		26-1508-3			M		26-1519-6			M	
26-1209-7			X1		26-1508-4			M		26-1519-7			M	
26-1487-12			P	S	26-1508-5			M		26-1520-1:110	110-42	2		
26-1500-1L	116-43	4			26-1508-6			M		26-1520-1:111	110-30	2		
	116-	1			26-1509-1L			U			110-45	2		
26-1500-1R	116-	1			26-1509-1R			U		26-1520-2-10	110-43	2		
26-1500-16			M	S	26-1509-2			M	S		110-31	2		
26-1500-17	116-34	2	M	S	26-1509-3			M	S	26-1520-2-11	110-46	2		
26-1500-18	116-35	2	M	S	26-1509-4			M	S	26-1520-3-10	116-	6		
26-1500-19	116-49	2	M	S	26-1509-5			M	S	26-1520-4-16	116-21	2		
26-1500-20	116-36	2	M	S	26-1509-6			M	S	26-1520-4-18	116-20	2		
26-1500-21	116-38	2	M	S	26-1509-7			M	S	26-1520-4-3	116-23	2		
26-1500-40	116-37	2	M	S	26-1510-2L			P2	S	26-1520-4-5	116-22	2		
26-1501-1L	116-	1			26-1510-2R			P2	S	26-1520-5-12	116-30	2		
26-1501-1R	116-	1			26-1510-3L			P2	S	26-1520-5-15	116-29	2		
26-1501-21			M	S	26-1510-3R			P2	S	26-1520-6-7	110-27	4		
26-1501-21L	116-1	1			26-1511-2L			P2	S	26-1520-7-12	116-31	2		
26-1501-21R	116-	1			26-1511-2R			P2	S	26-1521-2	110-	12		
26-1501-24			M	S	26-1511-3L			P2	S		110-			
26-1501-25			M	S	26-1511-3R			P2	S		110-			
26-1501-25L	116-6	1			26-1511-4R			P2	S		116-			
26-1501-25R	116-	1			26-1512-2L			P2	S	26-1521-3	110-	16		
26-1501-26			M	S	26-1512-2R			P2	S		110-			
26-1501-26L	116-7	4			26-1512-3L			P2	S		116-			
26-1501-26R	116-7	4			26-1512-3R			P2	S		116-			
26-1501-28	116-9	4	M	S	26-1512-4L			P2	S		116-			
26-1501-30	116-8	2	M	S	26-1512-4R			P2	S	26-1521-4	116-	2		
26-1501-33	116-14	2	M	S	26-1513-2L			P2	S	26-1521-5	110-	4		
26-1501-34	116-11	2	M	S	26-1513-2R			P2	S	26-1521C3	110-	24		
26-1501-35	116-10	2	M	S	26-1513-3L			P2	S	110-	110-			
26-1502			U		26-1513-3R			P2	S		110-			
26-1502-2			M		26-1513-4L			P2	S		116-			
26-1502-3			M		26-1513-4R			P2	S		116-			
26-1502-4			M		26-1514-3	116-15	1				116-			
26-1502-5			M		26-1514-4	116-	1				116-			
26-1502-6			M		26-1514-5	116-16	1			26-1521C4	116-	2		
26-1502-7			M		26-1514-6	116-	1			26-1521C5	110-	4		
26-1502-8			M		26-1515-2L	116-17	1			26-1522-1				
26-1503			U		26-1515-2R	116-	1			26-1522-1L				
26-1503-10			M1		26-1515-3L	116-18	1			26-1522-1R				
26-1503-11			M1		26-1515-3R	116-	1			26-1522-2				
26-1503-12			M1		26-1516-1L	14-		U		26-1523-1	110-8	1		
26-1503-13			M1	S		3-26				26-1523-11				
26-1503-14			M1	S	26-1516-1R	14-		U		26-1523-13				
26-1503-15			M1	S		3-				26-1523-15				
26-1503-16			M	S	26-1516-10L	14-36	1	X1		26-1523-2	110-	1		
26-1503-17			M1	S	26-1516-10R	14-	1	X1		26-1523-3				
26-1503-2			M1	S	26-1516-11	14-39	2	M1		26-1523-4				
26-1503-3			M1	S	26-1516-12			X1		26-1523-5				
26-1503-4			M1	S	26-1516-13			X1		26-1523-7				
26-1503-5			M1	S	26-1516-14			X1		26-1523-9				
26-1503-6			M1	S	26-1516-15			M1		26-1530-1L	110-7	1		
26-1503-7			M1	S	26-1516-16	14-12	2	M1			112-			
26-1503-8L			M1	S	26-1516-17			M		26-1530-1R	110-	1		
26-1503-8R			M1	S	26-1516-18			M			112-			
26-1503-9			M	S	26-1516-19			M			112-			
26-1504-1L			U		26-1516-2L	14-	1	P1	D	26-1530-2				
26-1504-1R			U		26-1516-2R	14-	1	P1	D	26-1530-3				
26-1504-2			M1	S	26-1516-20			M		26-1530-4L				
26-1504-3			M	S	26-1516-21	14-24	2	M	S	26-1530-4R				
26-1504-4			M1	S	26-1516-22	14-19	2	M	S	26-1531-1				
26-1505-5			M	S	26-1516-23	14-21	2	M	S	26-1531-2				
26-1506-1L			U		26-1516-24	14-23	2	M	S	26-1552-1	2-5	1		
26-1506-1R			U		26-1516-25	14-38	8			26-1552-3				
26-1506-2			M1	S	26-1516-3			X1		26-1552-5				
			M	S	26-1516-4			M						
26-1506-3			M	S	26-1516-5			M		26-1553-1	132-76	1		
26-1506-4			M1	S	26-1516-6	14-9	AR	M1		26-1554-1	132-78	1		
26-1506-5			M1	S	26-1516-7	14-7	AR	M1		26-1555-1	132-75	1		
			M	S	26-1516-8	14-8	AR	M1		26-1555-2	132-77	1		
26-1506-6			M1	S	26-1516-9			M1		26-1555-3				
26-1507-1L			U		26-1517			P2	S	26-1556-1	132-72	2		
26-1507-1R			U		26-1519-1L	116-	1	U		26-1556-3				
										26-1556-4				

PART NUMBER	FIGURE & INDEX NUMBER	QTY PER ART.	SOURCE CODE	REPAIR CODE	PART NUMBER	FIGURE & INDEX NUMBER	QTY PER ART.	SOURCE CODE	REPAIR CODE	PART NUMBER	FIGURE & INDEX NUMBER	QTY PER ART.	SOURCE CODE	REPAIR CODE
26-4627-6			M	S	26-5600-28	80-82	1	X2		26-6003-19	8-8	2	M	S
26-4627-7			X1		26-5600-29	80-71	1	X2		26-6003-2	5-	NP		
26-4627-9			X1		26-5600-3	80-132	1	X2			7-			
26-4628-1	56-		U		26-5600-30	80-123	1	X2			8-			
26-4628-2L	56-31	NP	M	S	26-5600-31	80-124	1	X2		26-6003-21			M	S
26-4628-2R	56-32	1	M	S	26-5600-32	80-51	1	X2		26-6003-23			M	S
26-4630-1	55-		A		26-5600-33	80-50	1	X2		26-6003-25			M	S
26-4631-1	55-		U		26-5600-34			M	S	26-6003-27			M	S
26-4632-1	55-	1	A		26-5600-36			M	S	26-6003-29			M	S
26-4632-3	55-36	1	M1		26-5600-37			X1		26-6003-3	8-80	1	M	S
26-4632-5	55-27	1	M		26-5600-4			M1	S	26-6003-31			M	S
26-4632-7			M					A		26-6003-33			M	S
26-4637-1			U		26-5600-400	80-	1			26-6003-35			M	S
26-4637-2			M1	S	26-5600-47	80-19	1	M	S	26-6003-35			M	S
26-4638-1			U		26-5600-5			M1		26-6003-41			M	S
26-4638-10			M	S	26-5600-6L	80-150	1	M	S	26-6003-43			M	S
26-4638-11			M1	S	26-5600-6R	80-151	1	M	S	26-6003-45			M	S
26-4638-2			M1	S	26-5600-7	80-152	1	M1	S	26-6003-47			M	S
26-4638-3			M	S	26-5600-8	80-153	1	M1	S	26-6003-49			M	S
26-4638-4			M	S	26-5600-9			X1		26-6003-5	8-84	2	M	S
26-4638-5			M	S	26-5602-1	79-87	1	M	S	26-6003-51			M	S
26-4638-6			M	S	26-5602-4			A		26-6003-7	8-85	2		
26-4638-7			M	S	26-5602-400	79-	1			26-6003-9	8-79	2		
26-4638-8			M1	S	26-5605-1	14-28	2			26-6003-9	8-14	3		
26-4638-9			M1	S	26-5605-3	14-	2			26-6003-23	8-			
26-4639-1			U		26-5605-5	14-	2			26-6003-27	8-1	2		
26-4639-2			M1	S	26-5631			U		26-6003-29	8-11	2		
26-4639-3			M1	S	26-5631-1	80-	1	A		26-6003-31	8-10	2		
26-4640-1	56-	1	U		26-5632-1	80-126	1	1	M	26-6003-33	7-16	10		
26-4640-10			X1		26-5633-1	80-128	1	1	M		7-19			
26-4640-11	56-16	1	M1	S	26-5634-1	80-156	1	1	M		8-64			
26-4640-13	56-20	1	M1	S	26-5634-2						8-72			
26-4640-3	56-19		X2		26-5634-3			X1		26-6003-35	8-71	2		
26-4640-5			X1		26-6001-1	5-1	1	P1	D	26-6003-51	8-21	2		
26-4640-7			X1		26-6001-11			M1		26-6003-7			M	S
26-4640-9			X1		26-6001-13			M1		26-6004-1	5-9	NP	U	
26-4642-1	78-				26-6001-15			M1			6-			
26-4643-1	2-30				26-6001-17			M1		26-6004-2	6-			
	56-				26-6001-19			X1		26-6005-1	3-20			
26-4643-3	56-	1			26-6001-2	5-	1	P1	D		57-			
26-4643-5	56-	1			26-6001-21			X1		26-6005-2	3-1			
26-4643-7	56-7	1			26-6001-23			M			57-			
26-4643-9	56-13	1			26-6001-25			X1		26-6005-3	57-	1		
26-4645			U		26-6001-27			X1		26-6005-4	57-	1		
26-4645-1	56-14	1	M1	S	26-6001-29			X1		26-6007-1	8-65	2		
26-4646-1	55-	1	A		26-6001-3			X1		26-6007-2	8-81	1		
26-4646-3	55-44	1	M1		26-6001-31			X1		26-6007-3	8-82	1		
26-4646-5	55-45	1	M1		26-6001-33			X1		26-6007-5	8-74	2		
26-4648-1	39-46	1			26-6001-35			X1		26-6007-11	8-42	2		
26-4649-1	40-14	1			26-6001-37			X1		26-6007-13	8-41	2		
26-4700-1	4-37		U		26-6001-39			X1		26-6007-15	8-17	2		
	55-				26-6001-41			X1		26-6007-17	8-15	2		
26-5015-3			P1	F	26-6001-45			X1		26-6007-17	8-15	2		
26-5018			U		26-6001-47			X1		26-6007-19	8-2	2		
26-5019-1			P1	F	26-6001-49			M		26-6007-21	7-9	1		
26-5021-1			P1	F	26-6001-5			X1		26-6007-23	7-11	1		
26-5033-1	79-77	1			26-6001-51			M		26-6007-25	7-15	3		
26-5034-1	79-78	1			26-6001-53			X1			8-3			
26-5035-1	29-21	2			26-6001-55			M		26-6007-27	7-17	1		
	79-80				26-6001-57			M		26-6007-29	7-18	1		
26-5036-1	79-82	1	P1	F	26-6001-59			M1		26-6007-33	8-20	2		
26-5037-1	79-81	1			26-6001-61			M1		26-6007-34	7-50	1		
26-5600			U		26-6001-63			M		26-6007-35	7-	1		
26-5600-1	79-71	1	U		26-6001-65			X1		26-6007-36	7-47	1		
	80-				26-6001-67			M		26-6007-37	7-	1		
26-5600-10			X1		26-6001-69			X1		26-6006-39	8-50	1		
26-5600-13	80-147	1	M1	S	26-6001-7			X1		26-6007-40	8-51	1		
26-5600-14	80-120	2	M	S	26-6001-71			X1		26-6007-41	8-52	1		
26-5600-15	80-122	2	M	S	26-6001-73			M		26-6007-42	8-53	1		
26-5600-16	80-108	1	M	S	26-6001-75			M		26-6007-43	8-49	2		
26-5600-17			M1	S	26-6001-77			M		26-6007-132	77-38	1		
26-5600-18	80-121	2	M	S	26-6001-79			M		26-6007-133	77-42	2		
26-5600-19			X1		26-6001-81			X1		26-6007-148	77-8	1		
26-5600-2	80-138	1	X2		26-6001-9			X1		26-6007-150	77-21	1		
26-5600-20	80-38	1	M	S	26-6003-L			U		26-6007-153	77-6	1		
26-5600-21	80-148	1	M	S	26-6003-R			U		26-6007-155	77-17	1		
26-5600-22	80-31	1	M	S	26-6003-1	5-10	NP			26-6007-157	77-39	1		
26-5600-23	80-44	1	M	S		7-				26-6007-159	77-22	1		
26-5600-24			M	S		8-				26-6007-160	77-18	1		
26-5600-25	80-70	1	X2		26-6003-11	8-77	2			26-6008-1001	13-	1		
26-5600-26	80-80	1	X2		26-6003-13	8-12	2	M	S	26-6008-1002	13-50	1		
26-5600-27	80-81	1	X2		26-6003-17	8-9	1	M	S	26-6008-101	13-13	1		
										26-6008-102	13-	1		
										26-6008-103	13-14	1		

T.O. 1B-26K-4

Section III
Numerical Index

PART NUMBER	FIGURE & INDEX NUMBER	QTY PER ART.	SOURCE CODE	REPAIR CODE	PART NUMBER	FIGURE & INDEX NUMBER	QTY PER ART.	SOURCE CODE	REPAIR CODE	PART NUMBER	FIGURE & INDEX NUMBER	QTY PER ART.	SOURCE CODE	REPAIR CODE
26-7211-52	20-6	1			26-7271-1	136-1				26-8107-6			XI	
26-7211-53	29-35	1			26-8000			U		26-810707			XI	
26-7211-54	29-36	1			26-8000-1	2-	2	U		26-8107-8			XI	
26-7211-55	29-40	1				109-				26-8107-9			M	S
26-7211-56	26-74	1			26-8001-2			XI		26-8108-1	109-	2	A	
26-7211-57	29-37	1			26-8001-3			P1	S	26-8108-11			M	S
26-7211-58	29-38	1			26-8001-4			X1		26-8108-13			M1	S
26-7211-59	26-59	1			26-8001-5			P1	S	26-8108-15			M1	S
26-7211-6	23-63	1			26-8001-6			X1		26-8108-17			M	S
26-7211-60	29-39	1			26-8001-7			P1	S	26-8108-19			M	S
26-7211-61	26-76	1			26-8001-8			X1		26-8108-2			P	S
26-7211-62	26-57	1			26-8002					26-8108-21			M	S
26-7211-63	26-56	1			26-8002-1			P1	B	26-8108-23			M	S
26-7211-64	26-59	1			26-8002-3			X1		26-8108-25			M	S
26-7211-65	26-46	1			26-8002-5			X1		26-8108-27	109-114	4	M	S
26-7211-66	26-47				26-8003	60-	2	P	S	26-8108-29			M1	S
26-7211-67	26-41	1				61-				26-8108-3	109-	2	M1	S
26-7211-678	21-19	1			26-8003-2	60-38	2	X1					P	F
26-7211-679	21-20	1				61-34				26-8108-30			M1	S
26-7211-68	26-42	1			26-8006-1			M		26-8108-31			M1	S
26-7211-69	26-33	1			26-8007-1			M		26-8108-33			M1	S
26-7211-7	29-34	1			26-8007-3			M		26-8108-35			M	S
26-7211-70	26-30	1			26-8008-1			M		26-8108-37			M1	S
26-7211-71	26-29	1			26-8009-1			M		26-8108-38			M1	S
26-7211-72	26-28	1			26-8010-1			M		26-8108-39			M1	S
26-7211-73	26-27	1			26-8011-1			M1		26-8108-40			M1	S
26-7211-74	26-22	1			26-8011-3			X1		26-8108-41			M	S
26-7211-75	26-24	1			26-8011-5			P	S	26-8108-43			M1	S
26-7211-76	26-23	1			26-8012-1			P	S	26-8108-44			M1	S
26-7211-77	21-9	1			26-8101-3			P	S	26-8108-45			M1	S
26-7211-78	21-8	1			26-8101-4			X1		26-8108-46			M1	S
26-7211-79	21-18	1			26-8101-5			X1		26-8108-47	109-93	2	X1	
26-7211-8	23-57	1			26-8101-6			X1					M1	S
26-7211-80	21-17	1			26-8101-8			X1		26-8108-49	109-116	8	M	S
26-7211-81	21-16	1			26-8102-1			U		26-8108-5	109-	2	A	
26-7211-82	21-15	1			26-8102-2			U		26-8108-51	109-95	2	M	S
26-7211-84	26-54	1			26-8103			U		26-8108-53			M	S
26-7211-85	26-53	1			26-8103-1			X1		26-8108-55			M	S
26-7211-86	26-52	1			26-8103-2			X1		26-8108-57	109-98	2	M	S
26-7211-87	26-51	1			26-8103-3			X1					X2	
26-7211-88	26-68	1			26-8103-4			X1		26-8108-59	109-103	2	X1	
26-7211-89	26-72	1			26-8103-5			P2	S				P	S
26-7211-9	23-111	1						X1		26-8108-61			M	S
26-7211-90	26-71	1			26-8104-1			X2		26-8108-63			M	S
26-7211-91	26-58	1			26-8104-11			X1	S	26-8108-65			M	S
26-7211-92	23-105	1			26-8104-13			M1	S	26-8108-67			M	S
26-7211-93	23-104	1			26-8104-15			X1		26-8108-69	109-94	2	X1	
26-7211-94	29-25	1			26-8104-17			M	S				M1	S
26-7211-95	26-82	1			26-8104-19			M	S	26-8108-7	109-	2	M1	S
26-7211-96	29-24	1			26-8104-21			M1	S				A	
26-7211-97	26-2	1			26-8104-23			M	S	26-8108-71	109-117	2	M	S
26-7211-98	26-4	1			26-8104-25			M	S	26-8108-73	109-108	2	P	S
26-7211-99	26-9	1			26-8104-27			M1	S	26-8108-75	109-92	2	X1	
26-7212-1	17-82		A		26-8104-29			M1	S	26-8108-77			M	S
	18-				26-8104-3			P1	S	26-8108-79			M	S
26-7212-12			U		26-8104-31			X1		26-8108-9	109-	2	M1	S
26-7212-14			U		26-8104-33			M1	S				A	
26-7212-19	18-7	1	M1		26-8104-35			X2		26-8109-1	109-	2	P1	F
26-7212-2	18-82	1	A		26-8104-37			M1	S	26-8109-11	109-1	2	X1	
26-7212-21	18-	1	M1		26-8104-39			M1	S	26-8109-2			U	
26-7212-23	29-				26-8104-41			M1	S	26-8109-3			M	
26-7212-24	29-46				26-8104-43			M1	S	26-8109-5			M1	
26-7212-27	18-				26-8104-45			X1		26-8109-7	109-13	4	M1	
26-7212-28	18-				26-8104-47			X1		26-8109-9			M	
26-7212-3	18-	1	M1	S	26-8104-49			X1		26-8110-3			M1	S
26-7212-5	18-6	4	M1	S	26-8104-5			M1	S	26-8111-1			U	
26-7212-7	18-	1	M1	S	26-8104-51			X1		26-8111-11	77-56	2	A	
26-7212-9	18-3	2	M1	S	26-8104-7			X1	S	26-8111-13			M1	S
26-7214-1			M	S	26-8104-9			X1	S	26-8111-15			M	S
26-7248-1	17-	1	M1	S	26-8106-1			X2		26-8111-17	77-52	6	A	
26-7248-3	17-12	1	X1		26-8106-3			X2		26-8111-19			M1	S
26-7248-5	17-13	1	X1		26-8106-2			U		26-8111-2			U	
26-7249-1	17-	4	M1	S	26-8106-5			M1		26-8111-21			M1	S
26-7249-3	17-7	2	X1		26-8107-12			U		26-8111-23			M1	S
26-7249-5	17-8	2	X1		26-8107-1R			U		26-8111-25	77-35	1	A	
26-7251			U		26-8107-10					26-8111-26	77-	1	A	
26-7251-1			M		26-8107-11			X1		26-8111-27			X1	
26-7251-3			X1		26-8107-12			X1		26-8111-29			M1	S
26-7252			U		26-8107-2			M	S	26-8111-3	61-18	1	M1	S
26-7252-1			M		26-8107-3			M1	S	26-8111-31			X1	
26-7260-1	2-23	1	U		26-8107-4			M	S	26-8111-33			M	S
	29-				26-8107-5			X1		26-8111-35			X1	

Section III
Numerical Index

T.O. 1B-26K-4

PART NUMBER	FIGURE & INDEX NUMBER	QTY PER ART.	SOURCE CODE	REPAIR CODE	PART NUMBER	FIGURE & INDEX NUMBER	QTY PER ART.	SOURCE CODE	REPAIR CODE	PART NUMBER	FIGURE & INDEX NUMBER	QTY PER ART.	SOURCE CODE	REPAIR CODE
26-8111-37			M	S	26-8118-57			P1	S	26-8137-1			M1	
26-8111-39			M1	S	26-8118-59			M	S	26-8137-3			X1	S
26-8111-41			X1		26-8119-1			U		26-8138			U	
26-8111-43			M1	S	26-8119-10			U		26-8138-1			M1	
26-8111-45			M	S	26-8119-11			U		26-8138-3			X1	
26-8111-47	60-51	1	M1	S	26-8119-12			U		26-8138-5			X1	
26-8111-49	60-52	1		S	26-8119-13			U		26-8138-7			X1	
26-8111-5			M1	S	26-8119-14			U		26-8139-1			M1	S
26-8111-51			X1					M	S	26-8139-2			M1	S
26-8111-53			X1		26-8119-15			U		26-8141-1			M1	S
26-8111-55	60-	1	A		26-8119-15L			M1	S	26-8141-3			X1	S
26-8111-57	60-49	1	M1	S	26-8119-16			U		26-8142-1			M	S
26-8111-58	60-	1	M1	S	26-8119-17			U		26-8142-3			X1	S
26-8111-59	60-47	8	M	S	26-8119-18			U		26-8145-1			M	S
	60-				26-8119-19			U		26-8146			U	
26-8111-61	60-58	1	M1	S	26-8119-3			U		26-8146-1			M	
26-8111-63	60-59	1	M1	S	26-8119-4			U		26-8147-1			P1	F
26-8111-65			M	S	26-8119-5			U		26-8147-3			X1	
26-8111-67			M	S	26-8119-6			U		26-8147-5			X1	
26-8111-69			M	S	26-8119-7			U		26-8147-7			X1	
26-8111-7			M1	S	26-8119-8			U		26-8147-9			X1	
26-8111-71	60-50	1	M1	S	26-8119-9			U		26-8148-1			P1	F
26-8111-73			X1		26-8122-1			U		26-8148-3			X1	
26-8111-75	60-	1	M1	S	26-8123-1	13-12	2	M1		26-8149-1			P1	F
26-8111-77			X1		26-8123-3			X1		26-8149-3			X1	
26-8111-79	60-27	1	P	F	26-8123-5			X1		26-8152			U	
26-8111-81			X1		26-8123-7			X1		26-8152-1			M	
26-8111-83			X1		26-8124-1			M	S	26-8152-3			M	
26-8111-85			X1		26-8124-10			M	S	26-8153-1			M1	
26-8111-87			M1	S	26-8124-11			M	S	26-8153-3			X1	
26-8111-89	60-31	1	M1	S	26-8124-12			M	S	26-8153-5			X1	
26-8111-9			X1		26-8124-13			M	S	26-8154			U	
26-8113-11			M		26-8124-14			M	S	26-8154-1			M	
26-8113-13			M		26-8124-15			M	S	26-8155			U	
26-8113-15			M		26-8124-16			M	S	26-8155-1			M1	S
26-8113-17			M		26-8124-17			M	S	26-8156-1			M	S
26-8113-19			M		26-8124-18			M	S	26-8157			U	
26-8113-21			M		26-8124-19			M1	S	26-8157-1			M1	S
26-8113-23			M		26-8124-2			M	S	26-8158-1			M1	S
26-8113-25			M		26-8124-20			M	S	26-8159-1			M1	S
26-8113-27			M1		26-8124-21			M	S	26-8161-1			M1	S
26-8113-29			M		26-8124-22			M	S	26-8163-1			M	S
26-8113-3			M1		26-8124-23			M	S	26-8164-1			P1	S
26-8113-31			M		26-8124-24			M	S	26-8166-1			M	S
26-8113-33			M	S	26-8124-25			M	S	26-8167			U	
25-8113-35			M	S	26-8124-26			M	S	26-8167-1			X2	S
26-8113-37			M	S	26-8124-27			M	S	26-8168-1			M1	
26-8113-39			M	S	26-8124-28			M	S	26-8170-1			M1	
26-8113-5			M1		26-8124-29			M	S	26-8171-1			P	S
26-8113-7			M1		26-8124-3			M	S	26-8172-1			M1	
26-8113-9			M1		26-8124-30			M	S	26-8172-3			X1	
26-8114			U		26-8124-31			M	S	26-8172-5			X1	
26-8114-10	15-10	1	M		26-8124-32			M	S	26-8173-1			X1	
26-8114-101	15-	1			26-8124-33			M	S	26-8174-1			X1	
26-8114-102	15-	1			26-8124-34			M	S	26-8174-3			X1	
26-8114-11	15-7	1	M		26-8124-4			M	S	26-8174-5			X1	
26-8114-12	15-12	1	M		26-8124-5			M	S	26-8175-1			P	S
26-8114-13	15-13	2	M		26-8124-6			M	S	26-8401			U	S
	15-18				26-8124-7			M	S	26-8401-2	66-	1	P	F
26-8114-16	15-1	2			26-8124-8			M	S	26-8401-3	66-36	1	X1	
	15-20				26-8124-9			M	S	26-8402-1	3-24		U	
26-8114-17	15-2	2			26-8126			U			60-			
	15-21				26-8126-1	13-97	4	M1		26-8402-2	3-		U	
26-8114-18	15-19	1				13-101					61-			
26-8114-19	15-6	1			26-8126-3			X1		26-8999	60-40	1	M	S
26-8114-2	15-15	2	M1	S	26-8126-5			X1		26-8999-1	61-36	1		
	15-24				26-8127-1			P1		26-9076-1			M1	S
26-8114-20	15-11	1			26-8127-11			M	S	26-9076-3			M1	S
26-8114-3			M1	S	26-8127-3			X2		26-9076-5			M	S
26-8114-4			M		26-8127-5			X2		26-9076-6			M	S
26-8114-5	15-3	2	M		26-8127-7			X2		26-9200			U	
	15-22				26-8127-9			X2		26-9200-1	64-			
26-8114-6	15-4	1	M		26-8129-1			P1	B	26-9201	4-27		U	
26-8114-7	15-5	1	M		26-8130-1			P1	B	26-9201-1				
26-8114-8	15-8	1	M		26-8130-3			X1			4-28			
26-8114-9	15-9	1	M		26-8130-5			M1		26-9203	71-			
26-8118			U		26-8130-7			M		26-9203-1	71-1	1		
26-8118-1	109-119	2			26-8131-1			P1	B	26-9205	72-			
26-8118-15R			M1	S	26-8131-3			X1		26-9205-1			M1	S
26-8118-23			M	S	26-8131-5			M		26-9205-2	66-7	2	X1	
26-8118-25			M1	S	26-8132-1			P1	B	26-9205-3			X1	
26-8118-26			M1	S	26-8132-3			X1		26-9206	66-58	1	X2	S
26-8118-53			P1	S	26-8135-5			M					P2	S
26-8118-55			M1	S	26-8136-1			M1	S	26-9207	66-59	1	X2	S
													P2	S

**Section III
Numerical Index**

T.O. 1B-26K-4

PART NUMBER	FIGURE & INDEX NUMBER	QTY PER ART.	SOURCE CODE	REPAIR CODE	PART NUMBER	FIGURE & INDEX NUMBER	QTY PER ART.	SOURCE CODE	REPAIR CODE	PART NUMBER	FIGURE & INDEX NUMBER	QTY PER ART.	SOURCE CODE	REPAIR CODE												
26-9237-2	70-24	1	M1	S	26-9229-8	66-40	1	M1	S	26-9245-3	68-54	1	X1													
26-9237-3			X1	26-9229-83	26-9246					M1																
26-9237-4			X1	26-9239-85	26-9246-1					X1																
26-9237-5			M1	26-9239-85	26-9246-2					X1																
26-9237-6			X1	26-9239-87	26-9246-3					X1																
26-9237-7			X1	26-9239-87	26-9247					M1																
26-9237-8			X1	26-9239-9	26-9247-1					M1																
26-9237-9			M1	26-9240-10	26-9248L					M1																
26-9238			U	26-9240-11	26-9248R					U																
26-9238-1			A	26-9240-2	26-9248-1					M1																
26-9238-10			66-56	1	U					S			26-9240-3		70-35	1	M1	S	26-9248-2	68-26	1	M1	S			
26-9238-11	U	26-9240-4				26-9248-3	M1																			
26-9238-2	U	26-9240-5				26-9248-5	M1																			
26-9238-3	M1	26-9240-6				26-9248-7	M1																			
26-9238-4	M1	26-9240-7				26-9248-8	M1																			
26-9238-5	M1	26-9240-8				26-9249	M1																			
26-9238-6	M1	26-9240-9				26-9249-2	M1																			
26-9238-7	P2	26-9242				26-9249-3	M1																			
26-9238-8	U	26-9242-1				26-9249-4	M1																			
26-9238-9	U	26-9242-10				26-9249-5	M1																			
26-9239	U	26-9242-11				26-9249-6	M1																			
26-9239-10	66-	M	S	S	26-9242-12	33-94	1	M	S	26-9249-7	68-23	1	X1	B												
26-9239-11					M					26-9242-13			26-9250		M											
26-9239-12					M					26-9242-14			26-9250-1		M											
26-9239-13					M					26-9242-15			26-9250-11		M											
26-9239-14					M1					26-9242-17			26-9250-13		M1											
26-9239-15					M1					26-9242-18			26-9250-17		M1											
26-9239-16					M					26-9242-19			26-9250-19		M1											
26-9239-17					M1					26-9242-2			26-9250-21		M1											
26-9239-18					M1					26-9242-20			26-9250-23		M1											
26-9239-19					M					26-9242-21			26-9250-25		M1											
26-9239-2					66-23					1			M1		S	26-9242-22	33-39	1	M	S	26-9250-27	72-67	1	M1	S	
26-9239-20	M1	26-9242-23	26-9250-3	M																						
26-9239-21	M1	26-9242-24	26-9250-31	M																						
26-9239-22	M1	26-9242-25	26-9250-33	M																						
26-9239-23	M1	26-9242-26	26-9250-35	M																						
26-9239-24	M1	26-9242-27	26-9250-37	M1																						
26-9239-25	M1	26-9242-28	26-9250-39	M1																						
26-9239-26	M1	26-9242-29	26-9250-41	M1																						
26-9239-27	M1	26-9242-3	26-9250-43	M																						
26-9239-28	M1	26-9242-30	26-9250-45	M																						
26-9239-29	M1	26-9242-31	26-9250-47	M1																						
26-9239-3	66-24	1	M1	S	26-9242-32	33-1	1	M	S	26-9250-49	72-69	1	X1	F												
26-9239-30					M1					26-9242-33			26-9250-5		M1											
26-9239-31					M1					26-9242-34			26-9250-51		M1											
26-9239-32					M1					26-9242-35			26-9250-7		M1											
26-9239-33					M1					26-9242-36			26-9250-9		M1											
26-9239-34					M1					26-9242-37			26-9251-1		M1											
26-9239-35					M					26-9242-38			26-9251-10		M											
26-9239-36					M					26-9242-39			26-9251-11		M											
26-9239-37					M					26-9242-4			26-9251-12		M											
26-9239-38					M					26-9242-40			26-9251-13		M											
26-9239-39					M1					26-9242-41			26-9251-15		M											
26-9239-4	71-26	1	M1	S	26-9242-42	33-9	1	M	S	26-9251-16	16-30	1	M1	S												
26-9239-40					M					26-9242-43			26-9251-17		M1											
26-9239-41					M					26-9242-44			26-9251-19		M1											
26-9239-42					M					26-9242-45			26-9251-2		M1											
26-9239-43					M					26-9242-46			26-9251-21		M1											
26-9239-44					P2					26-9242-47			26-9251-22		M1											
26-9239-45					M1					26-9242-5			26-9251-23		M1											
26-9239-46					M					26-9242-6			26-9251-25		M1											
26-9239-47					M					26-9242-7			26-9251-26		M1											
26-9239-48					M					26-9242-8			26-9251-29		M1											
26-9239-49					M					26-9242-9			26-9251-3		M											
26-9239-5	70-45	1	M1	S	26-9242-9	33-9	1	M	S	26-9251-4	16-31	1	M	S												
26-9239-50					M					26-9243			26-9251-5		M											
26-9239-51					M					26-9243-2			26-9251-6		M											
26-9239-52					M					26-9243-3			26-9251-7		M											
26-9239-53					M					26-9243-4			26-9251-8		M											
26-9239-54					M1					26-9243-5			26-9251-9		M1											
26-9239-55					M					26-9243-6			26-9251-11		M1											
26-9239-56L					M					26-9243-7			26-9251-12		M1											
26-9239-56R					M					26-9244			26-9251-13		M											
26-9239-57					M					26-9244-1			26-9251-14		M											
26-9239-58					M1					26-9244-2			26-9251-16		M1											
26-9239-6	69-1	1	P2	D	26-9245	68-8	1	M1	S	26-9251-17	16-25	2	M	S												
26-9239-65					U					26-9245-1			26-9251-18		M1											
26-9239-66					U					26-9245-2			26-9251-19		M1											
26-9239-70					70-1					1			M1		S	26-9245-2	68-30	1	M1	S	26-9251-20	90-	1	M1	S	
26-9239-70																U					26-9245-2			26-9251-21		M1
26-9239-70																U					26-9245-2			26-9251-22		M1
26-9239-70																U					26-9245-2			26-9251-23		M1
26-9239-70																U					26-9245-2			26-9251-24		M1
26-9239-70																U					26-9245-2			26-9251-25		M1
26-9239-70																U					26-9245-2			26-9251-26		M1
26-9239-70																U					26-9245-2			26-9251-27		M1
26-9239-70	U	26-9245-2	26-9251-28	M1																						
26-9239-70	U	26-9245-2	26-9251-29	M1																						
26-9239-70	U	26-9245-2	26-9251-30	M1																						

Section III
Numerical Index

T.O. 1B-26K-4

PART NUMBER	FIGURE & INDEX NUMBER	QTY PER ART.	SOURCE CODE	REPAIR CODE	PART NUMBER	FIGURE & INDEX NUMBER	QTY PER ART.	SOURCE CODE	REPAIR CODE	PART NUMBER	FIGURE & INDEX NUMBER	QTY PER ART.	SOURCE CODE	REPAIR CODE
5153030-105			X1		5153030-20			M1	B	5153030-63			M1	
5153030-106			M1		5153030-202			M		5153030-64			M1	
5153030-107			M1		5153030-206			M		5153030-65			M1	
5153030-108			M		5153030-208			M		5153030-66			M1	
5153030-11			M1	B	5153030-21			M1	B	5153030-67			M1	
5153030-110			M		5153030-210			X1		5153030-68			M1	
5153030-112			X1	S	5153030-211			X1		5153030-69			M1	
5153030-113			X1		5153030-212			X1	S	5153030-7			M	
5153030-114			M		5153030-213			X1		5153030-70			M1	
5153030-115			M		5153030-214			M		5153030-71			M1	
5153030-116			M		5153030-216			M		5153030-72			M1	
5153030-117			M		5153030-218			M		5153030-73			M1	
5153030-118			M		5153030-22			M		5153030-74			M1	
5153030-120	112-12	1	M1	S	5153030-220			M		5153030-75			M1	
			M		5153030-221			M		5153030-76			M1	
5153030-121	112-	1	M1	S	5153030-222			M		5153030-78			M	
			M		5153030-223			M		5153030-8			M	
5153030-122			M		5153030-224			M		5153030-80			M	
5153030-124			M		5153030-225			M		5153030-81			M	
5153030-125			M		5153030-226			M		5153030-82			M1	
5153030-126			X1		5153030-227			M		5153030-83			M1	
5153030-128	112-11	1	M1		5153030-228			X1		5153030-84			M1	
5153030-129	112-	1	M1	S	5153030-23			M		5153030-86			M1	
5153030-13			M		5153030-230			M		5153030-88			M1	
5153030-130			M		5153030-232			M		5153030-92			X1	
5153030-132			X1	S	5153030-233			M		5153030-93			X1	
5153030-134			X1		5153030-234			M		5153030-94			X1	
5153030-136	112-4	1	M1	B	5153030-235			M		5153030-95			X1	
5153030-137	112-	1	M1	B	5153030-236			M		5153030-96			X1	
5153030-138			M		5153030-237			M		5153030-97			X1	
5153030-139			M		5153030-238			M		5153030-98			M	
5153030-14			M1	B	5153030-239			M		5153031	110-6	1		
5153030-140			M		5153030-24			M1		5153031-1	110-	1	X2	D
5153030-142			M		5153030-240			M		5153035	110-24	1	P1	D
5153030-144			M		5153030-242			M			112-			
5153030-146			X1		5153030-244			M		5153035-1	110-	1	P1	D
5153030-15			M1	B	5153030-246			M1			112-			
5153030-150			M		5153030-247			M1		5153035-42			M	S
5153030-151			M		5153030-248			M1		5153035-44			M	S
5153030-152			M1		5153030-249			M		5153036-54	112-43	2		
5153030-153			M1		5153030-25			M1		5153037	110-23	1	P2	D
5153030-154			M1		5153030-255			M			112-			
5153030-156			M1		5153030-26			M1		5153037-1	110-	1	P2	D
5153030-157			M1		5153030-27			M1			112-			
5153030-158			M		5153030-28			M1		5153037-38	112-51	4		
5153030-16			M		5153030-29			M1		5153037-48	112-47	1		
5153030-160			M		5153030-3			M1		5153037-49	112-	1		
5153030-162			M		5153030-31			M1		5153044	3-18		U	
5153030-163			M		5153030-32			M1			113-			
5153030-164			M		5153030-33			M1			3-		U	
5153030-165			M		5153030-34			M1			113-			
5153030-167			M		5153030-35			M1		5153044-2	113-	1	A	
5153030-168			M		5153030-36			M1		5153044-3	113-	1	A	
5153030-17			M		5153030-37			M1		5153044-4			X1	S
5153030-170			M		5153030-38			M1	S	5153044-6			X1	S
5153030-171			M		5153030-39			M1		5153045	113-	1	P1	B
5153030-172			M		5153030-4			M		5153045-1	113-	1	P1	B
5153030-173			M		5153030-40			M1		5153045-122			M1	S
5153030-174			M1		5153030-41			M1		5153045-123			M1	S
5153030-175			M		5153030-42			M1	B	5153045-130	113-17	66	P1	D
5153030-176			M					M		5153045-131	113-	1	P1	D
5153030-178			M		5153030-43			M1	B	5153045-180	113-10	2		
5153030-179			M		5153030-44			M1		5153045-182	113-11	2		
5153030-18			M		5153030-45			M1		5153045-184	113-12	2		
5153030-180			M		5153030-46			M1		5153045-36	113-5	2	P	S
5153030-182			M		5153030-47			M1		5153045-37	113-	2	P	S
5153030-183			M		5153030-48			M1	B	5153048	3-19			
5153030-184			M		5153030-49			M1	B		114-			
5153030-185			M		5153030-5			M		5153048-1	3-			
5153030-186			M		5153030-50			M1	B		114-			
5153030-187			M		5153030-51			M1	B	5153049	115-	1		
5153030-188			M		5153030-52			M		5153049-1	115-	1	P1	D
5153030-189			M		5153030-53			M		5153049-12	115-8	1	P1	D
5153030-19			M		5153030-54			M1		5153049-13	115-	1		
5153030-190			M		5153030-56			M1		5153049-14	115-5	1		
5153030-191			M		5153030-57			M1		5153049-15	115-	1		
5153030-192			M		5153030-58			M1		5153049-52	115-29	1		
5153030-194			M		5153030-59			M1		5153049-53	115-	1		
5153030-196			M		5153030-6			M		5153049-56	115-24	1		
5153030-198			U		5153030-60			M1		5153049-57	115-	1		
5153030-2			M1		5153030-61			M1		5153049-74	115-14	1		
			U		5153030-62			M1						

PART NUMBER	FIGURE & INDEX NUMBER	QTY PER ART.	SOURCE CODE	REPAIR CODE	PART NUMBER	FIGURE & INDEX NUMBER	QTY PER ART.	SOURCE CODE	REPAIR CODE	PART NUMBER	FIGURE & INDEX NUMBER	QTY PER ART.	SOURCE CODE	REPAIR CODE
5153049-75	115-	1			5153095			U		5154635-12			X1	S
5153049-76	115-6	1			5153095-1			U		5154635-14			X1	S
5153049-77	115-	1			5153137	132	REF			5154635-16	112-10	1	M1	B
5153049-78	115-7	1			5153142-66			M	S	5154635-18	112-9	1	M1	B
5153049-79	115-	1			5153142-67			M	S	5154635-2			X1	S
5153049-86	115-9	1			5153142-72			M	S	5154635-6			M1	S
5153049-87	115-	1			5153142-90			M	S	5154635-8			X1	S
5153049-90	115-10	1			5153144			P1	D	5154645-14			X1	S
5153049-91	115-	1			5153147	4-13				5154655	113-20	1	P	S
5153049-96	115-16	1				131-				5154655-1	113-	1	X1	S
5153049-97	115-	1			5153147-10	131-21	1			5154655-10			P	S
5153050	114-	1	P1	D	5153147-12	131-	1	P2	D	5154655-12			X1	S
5153050-1	114-	1	P1	D	5153147-2	131-15	1	M	S	5154655-14			X1	S
5153050-140	114-43	8	M	S	5153147-3	131-16	1	M	S	5154655-16			X1	S
5153050-196	114-46	4			5153147-4	131-17	1			5154655-18			X1	S
5153050-214	114-37	1			5153147-5	131-18	1			5154655-2			M1	S
5153050-215	114-	1			5153147-6	131-22	1			5154655-20			X1	S
5153050-239			M1	S	5153147-8	131-19	1	M	S	5154655-22			X1	S
5153050-250	114-21	1			5153147-9	131-20	1	M	S	5154655-24			X1	S
5153050-251	114-	1			5153162	4-11				5154655-26			X1	S
5153050-84	114-40	1				122-				5154655-28			X1	S
5153050-85	114-	1			5153162-10	122-15	1			5154655-3			M1	S
5153050-88	114-29	1			5153162-12	122-16	1			5154655-4			M1	S
5153050-89	114-	1			5153162-2	122-14	1			5154655-5			M1	S
5153050-90	114-48	1	M1	S	5153162-4	122-13	1	M1	S	5154655-6			X1	S
5153050-91	114-	1	M1	S	5153162-42	122-24	1			5154655-8			X1	S
5153053			P1	B	5153162-44	122-25	1			5154656	113-21	1	P	S
5153053-1			P1	B	5153162-46	122-26	1			5154656-1	113-	1	P	S
5153053-10			X1	S	5153162-50	122-19	7			5154656-10			X1	S
5153053-11			X1	S	5153162-54	122-17	11			5154656-12			X1	S
5153053-12			X1	S	5153162-6	122-12	1	M1	S	5154656-16			X1	S
5153053-13			X1	S	5153162-8	122-11	1			5154656-18			X1	S
5153053-14			X1	S	5153178	4-3	1	X		5154656-2			M1	S
5153053-16			X1	S		121-				5154656-20			X1	S
5153053-17			X1	S	5153179	121-	1			5154656-22			X1	S
5153053-18			X1	S	5153183	69-	REF			5154656-26			X1	S
5153053-19			X1	S	5153214	58-	REF			5154656-28			X1	S
5153053-2			X1	S	5153227	89-	REF			5154656-3			M1	S
5153053-20			X1	S	5153236-2	86-49	1	M1	S	5154656-30			X1	S
5153053-21			X1	S	5153576-2			X1	S	5154656-4			M1	S
5153053-22			X1	S	5153576-4			X1	S	5154656-5			M1	S
5153053-23			X1	S	5153581-12			X1	S	5154656-6			X1	S
5153053-24			X1	S	5153581-14			X1	S	5154656-8			X1	S
5153053-25			X1	S	5153581-15			X1	S	5154698	69-37	1	P	S
5153053-26			X1	S	5153581-16			M1	S	5154698-2			X1	S
5153053-27			X1	S	5153581-17			M1	S	5154698-4			X1	S
5153053-28			X1	S	5153581-18			X1	S	5154715	132-			
5153053-29			X1	S	5153654	117-32	1	U		5154859-40			M	S
5153053-3			X1	S		119-				5155381	110-5	1		
5153053-30			P	S	5153654-1	117-	1	U		5155381-1	110-	1		
5153053-32			U			119-				5155381-14			X1	S
5153053-33			U		5153655	118-11	1			5155381-2			X1	S
5153053-34			X1	S		120-				5155381-32			X1	S
5153053-35			X1	S	5153689	86-7	1	M1	S	5155381-36			X1	S
5153053-36			X1	S	5153689-10			X1	S	5155381-38			M1	S
5153053-37			X1	S	5153689-2			X1	S	5155381-44			X1	S
5153053-38			X1	S	5153689-4			X1	S	5155381-46			X1	S
5153053-39			X1	S	5153689-6			X1	S	5155381-48			X1	S
5153053-4			M	S	5153689-8			X1	S	5155381-50			X1	S
5153053-40			X1	S	5153691			X1	B	5155381-6			X1	S
5153053-41			X1	S	5153691-10			X1	S	5155387	110-	2		
5153053-42			U		5153691-12			M	S		110-			
5153053-43			U		5153691-14			X1	S	5155387-34	110-15	2		
5153053-44			M	S	5153691-15			X1	S	5157231	88-	1		
5153053-46			X1	S	5153691-16			X1	S		91-1			
5153053-48			X1	S	5153691-2			X1	S	5157245-58			P1	D
5153053-49			X1	S	5153691-4			X1	S	5157317	95-	REF		
5153053-5			M	S	5153691-6			X1	S	5157405	115-	2	P1	D
5153053-6			M	S	5153691-8			X1	S	5157405-14	115-32	2		
5153053-7			M	S	5154626-25			M1	S	5157406	114-50	1	P1	D
5153053-8			X1	S	5154629-19			M1	S	5157406-1	114-	1	P1	D
5153053-9			X1	S	5154629-21			M1	S	5157406-10			M	S
5153060	7-				5154629-27			M1	B	5157406-12			M	S
	8-				5154629-28			M1	S	5157406-14			P1	D
5153060-1	7-				5154629-30			M1	S	5157406-4			X1	S
	8-				5154629-32			M1	S	5157406-6			X1	S
5153062	5-12				5154629-34			M1	S	5157406-8			X1	S
	11-				5154632	112-	1	M1	B	5157407	114-51	1	P1	D
5153062-1	5-				5154632-2			X1	S	5157407-1	114-	1	P1	D
	11-				5154632-4			X1	S	5157407-10			M	S
5153067	13-				5154632-6	112-8	1	M1	S	5157407-12			M	S
5153067-1	13-				5154635	112-	1	P	B	5157407-14			P1	D
					5154635-10			X1	S					

T.O. 1B-26K-4

Section III
Numerical Index

PART NUMBER	FIGURE & INDEX NUMBER	QTY PER ART.	SOURCE CODE	REPAIR CODE	PART NUMBER	FIGURE & INDEX NUMBER	QTY PER ART.	SOURCE CODE	REPAIR CODE	PART NUMBER	FIGURE & INDEX NUMBER	QTY PER ART.	SOURCE CODE	REPAIR CODE
5194611			P	S	5195445-110	78-25	1			52SCB2451-2			X2	S
5194611-10			X1	S	5195445-116	78-63	1			52SCC572	31-7	2		
5194611-12			X1	S	5195445-118	78-16	1			520A02	33-	1		
5194611-14			X1	S	5195445-124	78-20	1			5201400	74-			
5194611-2			X1	S	5195445-126	110-22	1			5201480			P	B
5194611-4			X1	S	5195445-128	110-21	1			5201480-2			M	S
5194611-6			X1	S	5195445-130	110-23	1			5201480-4			M	S
5194611-8			X1	S	5195445-136	78-14	1			5201480-6			M	S
5194616-39			M	S	5195445-138	78-13	1			5202170	99-62	1		
5194616-40	26-106	1			5195445-140	78-32	1			5202251	9-			
5194616-41	26-107	1	M	S	5195445-142	78-31	1			5202252	2-27			
5194616-62	26-103	1			5195445-144	78-57	1				134-			
5194616-63	26-102	1			5195445-146	78-48	1			5202369			P	B
5194618	86-	1			5195445-148	78-50	1			5202369-2			X1	S
5194622	132-	1			5195445-150	78-51	1			5202369-4			X1	S
5194622-36	132-	1			5195445-168	78-58	1			5202369-6			U	
5194622-38	132-12	1	M1	S	5195445-28	78-60	1			5202380			P1	S
5194622-40	132-9	1	M1	S	5195445-34	78-65	1			5202380-2			X1	S
5194622-48	132-13	1			5195445-36	78-67	1			5202380-4			X1	S
5194622-56			M1	S	5195445-38	78-70	1			5202401	100-		P1	D
5194623	117-	1			5195445-52	78-62	1			5202402			X2	D
5194623-10	117-71	1	X1	S	5195445-54	78-64	1			5202403	100-1			
5194623-12	117-76	1	X1	S	5195445-56	78-68	1				101-			
5194623-14	117-	1	P	S	5195445-58	78-69	1			5202403-2			M	S
5194623-16	117-	1	P	S	5195445-66	78-15	1			5202403-4	101-	2	M	S
5194623-2	117-73	1	X1	S	5195445-68	78-6	1				101-49			
5194623-4	117-72	1	X1	S	5195445-72	78-12	1			5202403-6			M	S
5194623-6	117-77	1	X1	S	5195445-74	78-9	1			5202411	100-			
5194623-8	117-78	1	X1	S	5195445-76	78-38	1			5202434			P1	D
5194624	117-	1			5195445-80	78-30	1			5202435			P1	D
5194624-10	117-65	2			5195445-82	78-24	1			5202435-10			X1	
5194624-12	117-67	1			5195445-84	78-39	1			5202435-1			X1	
5194624-13	117-	1			5195445-86	78-35	1			5202435-101			X1	
5194624-14	117-	1	P	S	5195445-88	78-33	1			5202435-102			X1	
5194624-15	117-	1	P	S	5195445-90	110-27	1			5202435-104			X1	
5194624-16	117-	1	P	S	5195445-92	78-7	1			5202435-105			X1	
5194624-17	117-	1	P	S	5195446-14			M	S	5202435-106			X1	
5194624-2	117-61	1			5195446-32			M	S	5202435-107			X1	
5194624-3	117-	1			5195446-34			M	S	5202435-108			M	S
5194624-4	117-	2			5195446-36			M	S	5202435-110			X1	
5194624-6	117-62	1			5195452			M	S	5202435-111			X1	
5194624-7	117-	1			5195453	61-21	1	X2	B	5202435-112			X1	
5194624-8	117-66	1			5195453-2			X1	S	5202435-113			X1	
5194624-9	117-	1			5195475			M	B	5202435-114			X1	
5194625	86-	1			5195475-2			M	S	5202435-116			U	
5194627	109-16	4	P	B	5195475-4			M	S	5202435-118			U	
5194627-10			X1	S	5195475-6			M	S	5202435-12			X1	
5194627-12			X1	S	5195488			M1	B	5202435-120			U	
5194627-14			X1	S	5195488-2			M1	S	5202435-122			U	
5194627-16			X1	S	5195488-4			M	S	5202435-124			U	
5194627-18			X1	S	5195488-6			M	S	5202435-126			M1	
5194627-2			X1	S	5195508	86-	1			5202435-14			X1	
5194627-20			X1	S	5195511	96-	1			5202435-16			M	
5194627-4			X1	S	5195537	78-				5202435-18			M	
5194627-6			X1	S	5195572	49-11		M1	B	5202435-2			X2	
5194627-8			X1	S	5195602	71-25	1	P	B	5202435-20	109-15	2	X1	
5194630	95-7	1			5195602-2			M1	S	5202435-22			X1	
5194645			M1	S	5196708	64-	1			5202435-24			M1	S
5194645-10			X1	S	5196709	64-39	1			5202435-26			M1	S
5194645-12			U		5196712	64-	1			5202435-28			M1	S
5194645-14			U		5196712-2	64-36	1			5202435-30			M1	S
5194645-18			M1	S	5196733			M1	B	5202435-32			M1	S
5194645-2			X1	S	5196733-10			X1	S	5202435-34			M1	S
5194645-4			X1	S	5196733-12			M1	S	5202435-36			X1	
5194645-6			X1	S	5196733-2			X1	S	5202435-38			X1	
5194645-8			X1	S	5196733-4			X1	S	5202435-4			X2	
5194645-9			X1	S	5196733-6			X1	S	5202435-40			X1	
5194692	13-125	2	P1	D	5196733-8			X1	S	5202435-42			X1	
5194747	26-35	1			5196810	109-91	4			5202435-44			X1	
5195407	60-21	1	P1	S	5196859	109-29	2			5202435-46			M1	S
5195407-2			X1	B	5196867	109-30	2	P1	F	5202435-48			X1	
5195412			P1	S	5196867-10			M	S	5202435-50			X1	
5195412-10			X1	S	5196867-12			M1	S	5202435-52			X1	
5195412-2			X1	S	5196867-14			M	S	5202435-54			M1	S
5195412-4			X1	S	5196867-16			M	S	5202435-56			X1	
5195412-6			X1	S	5196867-18			M	S	5202435-58			X1	
5195412-8			X1	S	5196867-2			M	S	5202435-59			X1	
5195421			A		5196867-4			M	S	5202435-6			X1	
5195432			A		5196867-6			U		5202435-60			X1	
5195440	86-	1			5196867-8			M	S	5202435-62			X1	
5195445-102	110-8	1			52SCB2451			M	S	5202435-64			X1	
5195445-106	110-26	1			52SCB2451-1			X1	S	5202435-66			X1	
										5202435-68			X1	

Section III
Numerical Index

T.O. 1B-26K-4

PART NUMBER	FIGURE & INDEX NUMBER	QTY PER ART.	SOURCE CODE	REPAIR CODE	PART NUMBER	FIGURE & INDEX NUMBER	QTY PER ART.	SOURCE CODE	REPAIR CODE	PART NUMBER	FIGURE & INDEX NUMBER	QTY PER ART.	SOURCE CODE	REPAIR CODE
5202435-70			X1		5203669-6			X1	S	5204658-8			X1	S
5202435-72			X1		5203669-8			X1	S	5204658-9			X1	S
5202435-74			X1		5203670	100-		U		5204659			P	S
5202435-76			X1		5203670-2			M		5204659-1			X1	S
5202435-78			X1		5203670-4			M		5204659-10			X1	S
5202435-8			X1		5203670-6			M		5204659-11			X1	S
5202435-80			M	S	5203670-8			M		5204659-12			X1	S
5202435-82			M	S	5203671			P1	D	5204659-13			X1	S
5202435-84			M	S	5203671-10			P1	D	5204659-14			X1	S
5202435-86			M	S	5203671-12			X1	S	5204659-15			X1	S
5202435-88			X1		5203671-14			X1	S	5204659-2			X1	S
5202435-90			M	S	5203671-16			X1	S	5204659-3			X1	S
5202435-92			X1		5203671-18			X1	S	5204659-4			X1	S
5202435-94			U		5203671-2			X1	S	5204659-5			X1	S
5202435-96			X1		5203671-4			X1	S	5204659-6			X1	S
5202435-97			X1		5203671-6			X1	S	5204659-8			X1	S
5202435-98			X1		5203671-8			X1	S	5204659-9			X1	S
5202435-99			X1		5203756			P1	B	5204787			P	B
5202453			P	B	5203773			P	S	5204787-1			X1	S
5202482	86-6	1			5203773-10			M	S	5204787-2			X1	S
5202491-14			P	B	5203773-2			X1	S	5204787-4			X1	S
5202491-16			P	B	5203773-4			M	S	5204787-6			X1	S
5202491-22			M	S	5203773-6			X1	S	5204787-8			X1	S
5202491-24			M	S	5203773-8			X1	S	5204792	90-42	1	M1	B
5202500	99-	1			5203774					5204792-1	90-	1	M1	B
5202512			P1	D	5203790			M1	B	5204792-2			M	S
5202513-2			M	S	5203790-10			M	S	5204792-3			M	S
5202519	99-55	1			5203790-12			M	S	5204792-4			M	S
5202520	99-56	1			5203790-13			M	S	5204794	90-39	1	M1	B
5202545	99-	1			5203790-14			M	S	5204794-1	90-	1	M1	B
5202545-62	99-69	1			5203790-15			M	S	5204794-2			X1	S
5202545-64	99-70	1			5203790-16			M	S	5204794-3			X1	S
5202545-66	99-	1			5203790-18			M	S	5204794-4			X1	S
5202561	99-	1			5203790-2			M	S	5204794-5			X1	S
5202570			P1	D	5203790-20			M	S	5204794-6			X1	S
5202571			P	B	5203790-21			M	S	5204794-7			X1	S
5202571-10			U		5203790-22			M	S	5204818	101-	1	P1	D
5202571-12			U		5203790-24			M	S	5204818-2	101-43	2	M	S
5202571-14			U		5203790-26			M	S	5204849			M1	S
5202571-16			M1	B	5203790-28			M	S	5204877			P	S
5202571-18			U		5203790-29			M	S	5204877-2			X1	S
5202571-2			X1	S	5203790-30			M	S	5204877-4			X1	S
5202571-20			M1	B	5203790-31			M	S	5204877-6			X1	S
5202571-4			X1	S	5203790-4			M	S	5204884	90-40	1	M1	B
5202571-6			U		5203790-6			M	S	5204884-1	90-	1	M1	B
5202571-8			U		5203790-8			M	S	5204884-2			X1	S
5202627	109-	2	X2	D	5203989-36			M	S	5204884-3			X1	S
5202637	71-5	1			5203989-4			M	S	5204884-4			X1	S
	74-				5204029			A		5204884-5			X1	S
	74-	1			5204029-1			A		5204884-6			X1	S
5202637-2					5204029-2			M	S	5204884-7			X1	S
5202638					5204029-4			A		5204884-8			X1	S
5202638-2	72-5	1	M	S	5204029-6			M	S	5204884-9			X1	S
5202638-4	72-4	1	M	S	5204029-7			M	S	5204966			P1	S
5202640	71-7	1			5204033	121-13	1			5204984	90-	1		
	74-				5204033-1	121-	1			5205034	97-3	1		
5202641	71-8	1			5204062			P	B	5205034-1	97-	1		
	74-				5204062-2			M1	S	5205059			A	
5202681	109-37	4			5204114	112-	1	P	B	5205069	39-			
5202682	109-38		M1	S	5204114-2			X1	S		40-			
5202682-10			X1	S	5204114-4			X1	S		51-			
5202682-2			X1	S	5204114-6	112-	1	M1	S	5205113	96-13	1		
5202682-4			X1	S	5204115	112-	1	X2	B		97-			
5202682-6			X1	S	5204115-10			X1	S	5205113-1	97-	1		
5202682-8			X1	S	5204115-12			M1	S		97-			
5202687	112-	1			5204115-14			M1	B	5205148			M1	B
5202687-26	112-1	1			5204115-16	112-	1	M1	B	5205148-2			M1	S
5202688	112-	1			5204115-2			X1	S	5205148-4			M1	S
5202688-26	112-	1			5204115-4			X1	S	5205148-6			M	S
5203206	86-33	1			5204115-6			X1	S	5205196			P1	B
5203267			M1	S	5204115-8			X1	S	5205196-2			X1	S
5203512	86-14	1			5204382	86-	1			5205197			P1	B
5203536	86-	2	P	B	5204658			P	S	5205197-2			X1	S
5203536-10			X1	S	5204658-1			P	S	5205203	67-1	1		
5203536-1			X1	S	5204658-10			X1	S	5205207	100-			
5203536-4			X1	S	5204658-11			X1	S	5205208	100-4	1		
5203536-6			X1	S	5204658-2			X1	S	52-5349				
5203536-8			X1	S	5204658-3			X1	S	5205349-2			M1	B
5203612	86-	2			5204658-4			X1	S	5205419			M	S
5203669	100-12	1	P1	D	5204658-5			X1	S	5205419				
5203669-2			X1	S	5204658-6			X1	S	5205633	100-	1	P1	D
5203669-4			X1	S	5204658-7			X1	S	5205635			A	

PART NUMBER	FIGURE & INDEX NUMBER	QTY PER ART.	SOURCE CODE	REPAIR CODE	PART NUMBER	FIGURE & INDEX NUMBER	QTY PER ART.	SOURCE CODE	REPAIR CODE	PART NUMBER	FIGURE & INDEX NUMBER	QTY PER ART.	SOURCE CODE	REPAIR CODE
5205667-2			M	S	5206339-2	125-5	1	X1	S	5208015-2			P1	S
5205716			M1	B	5206588	78-	1			5208015-4			P1	S
5205716-2			X1	S	5206615	57-	1			5208015-6			P1	S
52-5716-4			X1	S	5206615-1	57-	1			5208015-8	130-3	1	P1	S
52-5716-6			X1	S	5206617	58-	1			5208016-18			M	S
5205766	90-	1			5206618	58-7	1	P	S	5208016-19			M	S
5205756	90-	1	P1	B	5206690			P	S	5208016-38			M	S
5205756-1	90-	1	P1	B	5206690-2			X1	S	5208016-42			M	S
5205765-2	90-11	1	X1	S	5206709	39-22				5208016-6			M	S
5205756-3	90-	1	X1	S		51-				5208016-8			M	S
5205762			X2	S	5206754	58-	1			5208069	127-44	1		
5205762-2			X1	S	5206755	58-	1			5208096	127-43	1		
5205762-4			X1	S	5206756	58-	1			5208132			M1	B
5205772	87	1			5206756-1	58-	1			5208132-2			M1	S
520776	127				5206757	58-32	2			5208132-4			M	S
5205786					5206757-1	58-	2			5208132-6			M	S
5205786-2			X1	S	5206937	59-47	1			5208132-8			M	S
5205786-4			X1	S	5207054	59-	1			5208151	60-	1	P2	S
5205786-6			X1	S	5207115	96-	1	U		5208151-2	60-66	1	X1	S
5205786-8			P	S	5207119	96-	1			5208177			P2	D
5205815			M	S		97-				5208177-24			M1	S
5205815-2			X1	S	5207122			M1	S	5208187	60-	1	P1	S
5205815-4			X1	S	5207142			P1	D	5208187-2	60-35	1	X1	S
5205815-6			M	S	5207307	86-4	1			5208209	127-30	1		
5205815-8			M	S		88-				5208214	79-			
5205965	86-	1	M1	B	5207419	126-	1	P	D	5208246			P1	D
5205965-2	86-42	1	X1	S	5207419-24			X1	S	5208246-10			U	S
5205965-4			X1	S	5207419-26	126-	1	X1	S	5208246-12			U	S
5205965-6			X1	S	5207449			X2		5208246-14			U	S
5205965-8			U		5207449-1			X2		5208246-16			U	S
5206024	39-23				5207449-290			M1	S	5208246-18			X1	S
	51-				5207449-291			M1	S	5208246-2			X1	S
5206036			M1	B	5207485			P	B	5208246-20			U	S
5206036-10			X1	S	5207485-10			M	S	5208246-22			U	S
5206036-2			U		5207485-12			M	S	5208246-24			X1	S
5206036-4			U		5207485-14			U		5208246-26			X1	S
5206036-6			X1	S	5207485-2			M1	S	5208246-4			U	S
5206036-8			X1	S	5207485-4			M	S	5208246-6			U	S
5206137			P	S	5207485-6			M	S	5208246-8			U	S
5206137-10			X1	S	5207485-8			M	S	5208273	14-36		X2	B
5206137-12			X1	S	5207534	79-				5208273-1	14-36		X2	B
5206137-14			X1	S	5207575	13-	1			5208277	130-°	1	P1	D
5206137-16			X1	S	5207575-1	13-	1			5208277-1	130-4	1	P1	D
5206137-18			X1	S	5207581	132-				5208277-2			X1	S
5206137-2			X1	S	5207581-28	132-48	1			5208277-3			X1	S
5206137-4			X1	S	5207614	88-1	1			5208277-4			X1	S
5206137-6			X1	S	5207691	39-38				5208283			P1	D
5206137-8			X1	S		40-11				5208283-10			U	S
5206180			U			51-				5208283-12			U	S
5206180-2			X1	S	5207767	127-8	1			5208283-14			U	S
5206180-4			X1	S	5207768	127-8	1			5208283-16			U	S
5206180-6			X1	S	5207770	127-	1			5208283-18			U	S
5206180-8			M1	S	5207770-2	127-16	1			5208283-2			X1	S
5206193	35-58	1			5207770-4	127-16	1			5208283-20			U	S
	36-26				5207771	127-26	1			5208283-22			U	S
5206193-1	35-	1			5207782	78-	1			5208283-24			X1	S
	36-				5207834	78-	1			5208283-26			X1	S
5206241	10-26	1	X1	D	5207836	99-				5208283-4			U	S
5206242	9-36	1	P1	D	5207850			A	B	5208283-6			U	S
	10-				5207850-2			M	S	5208283-8			U	S
5206253	4-9				5207850-4			M	S	5208335	126-	1	P1	D
	125-				5207886	127-10	1			5208335-30	126-	1		
5206271	101-1	1			5207886-2	127-11	1			5208393			M1	B
5206305					5207886-4	127-13	1			5208394	112-	1	X2	B
5206305-10			A	S	5207921					5208394-26	112-	1		
5206305-2			M	S	5207921-10			P	D	5208395			M1	B
5206305-4			M	S	5207921-12			M	S	5208395-10			M1	B
5206305-6			M	S	5207921-14			M	S	5208395-2			M1	B
5206305-8			M	S	5207921-16			M	S	5208395-4			M1	B
5206306			P1	D	5207921-2			M	S	5208395-6			M	B
5206307			P	S	5207921-4			M	S	5208395-8			M	B
5206307-10			M1	S	5207921-6			U		5208396	112-	1	X2	B
5206307-12			X1	S	5207921-8			U		5208396-26	112-	1		
5206307-2			X1	S	5208007			A		5208397			M1	S
5206307-4			X1	S	5208007-10			M	S	5208503-2			P1	D
5206307-6			X1	S	5208007-12			M	S	5208503-4			P1	D
5206307-8			M1	S	5208007-14			M	S	5208503-6			P1	D
5206336	125-	1	M1	B	5208007-17			M	S	5208503-8			P1	D
5206336-2	125-3	1	X1	S	5208007-2			M	S	5208504	132-	1		
5206338	125-	1	M1	B	5208007-4			U		5208533	7-43	1	P1	S
5206338-2	125-	1	X1	S	5208007-6			U		5208533-1	7-	1	P1	S
5206339	125-	1	M1	B	5208007-8			U		5208575	60-			

Section III
Numerical Index

T.O. 1B-26K-4

PART NUMBER	FIGURE & INDEX NUMBER	QTY PER ART.	SOURCE CODE	REPAIR CODE	PART NUMBER	FIGURE & INDEX NUMBER	QTY PER ART.	SOURCE CODE	REPAIR CODE	PART NUMBER	FIGURE & INDEX NUMBER	QTY PER ART.	SOURCE CODE	REPAIR CODE
63H31618-6	135-3	2	M	S	73109	4-21				855049	42-16	26		
63H31618-7			M1	S	736329-2	78-113	3				80-104			
63H31618-8	135-5	2	M1	S	740-40-32	37-21	1			861760			P1	
63H31618-9	135-10	2	M1	S	740E4-32	37-	1			86350			X2	S
6300A49A14-4A	80-27	1			74266	40-25	1			865-2	9-22	1		
6300B4B14A1	80-30	1			75G32	78-72	1			870037	33-46	1		
6416-82	112-	16			751-10K			P1	S	87057	39-32	2		
65C30684-1			U		755-22-2-8	26-17	1			873	61-	2		
65C30684-2	135-1	2	U		7665K4			X2		8747K4	39-86	1		
65C30684-3			U		786-1102			P1	S	8749K11	41-45	2		
65C30684-4	135-	2	U		8DJ11PEA	80-43	1			88	24-106	1		
65C30692	135-7	2			8DJ20AAD	79-37	2			8821K5			X2	
65D30693	135-	2				79-41				9-10831	35-62	8		
653-35				P1	8DJ20ACY	79-78					36-42			
653278	55-55	1			8DJ20ADC	79-77					51-1			
66-25503	78-40A					80-33	1				51-13			
670	107-10	10			8DJ20ADD	80-37	2				53-7			
671BK10(C12)	80-34	1				80-41				9T3942021	46-10	1		
673447	78-112	1			8TJ17AAA	8-47	2			9054-5A	77-51	2		
693	118-33	1				14-28				906	81-	2		
699-2			M1	S	8TJ17AAB	8-48	2			922315	33-41	1		
699-3			X1			14-28				9272-3318	48-31	2		
699-4			X1		8TJ17ADM	134-2	1				50-34			
699-5			X1		8TJ17AGR	10-11	1			9274-3833	45-10	2		
699-6			X1		8TJ9PAV	78-95	1				46-5			
699-7			X1		808K14			P1D	S	9555	36-18	6		
7000-1A1A1	80-20				81000	98-4	8			96G21	26-49	1		
7108-2	81-	1			8182-2	16-23	1			966125	33-44	1		
7108D24	40-12	1			82	71-97	1			966301	15-16	2		
714E2	55-22	2			8211A92	81-7	2			98-5CP	78-	8		
717CT4D	8-36	1			8211DL	81-11	2				99-71			
7204DB	62-7	4			8211DR	81-	2			980W5-13	78-88	4		
7236-1-150	50-32	2			8239 F	83-75	1			98265-1	116-13	2		
727-451				P1	8356	33-101	3			98265-2-210	116-5	4		
727Z1	102-55	1			855S1-9U	80-101	6			99836	116-4	6		
728-1760-1				P1		103-13					116-12			
						108-12								
					855014	42-15	24							
					855025	42-14	26							
						80-103								