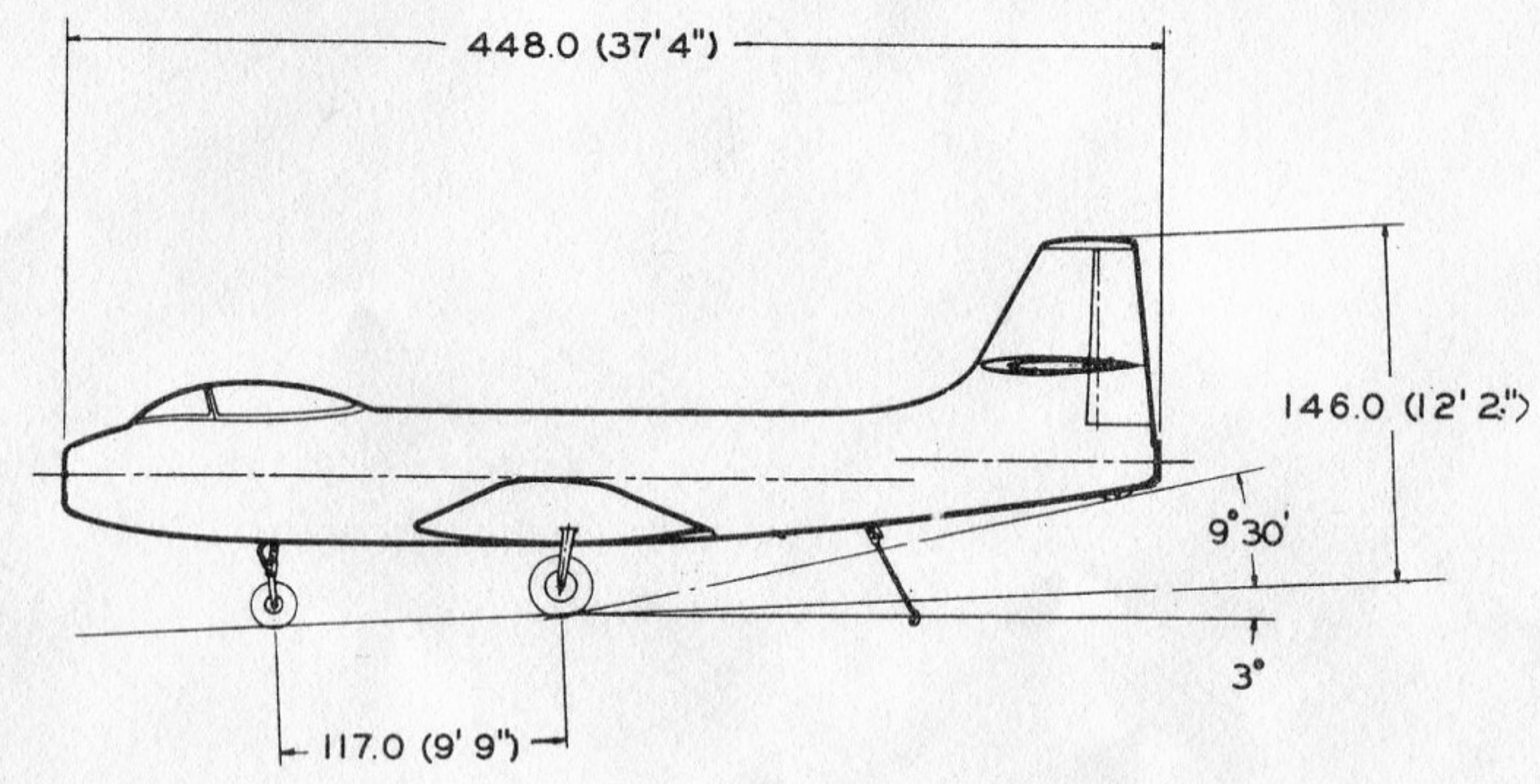
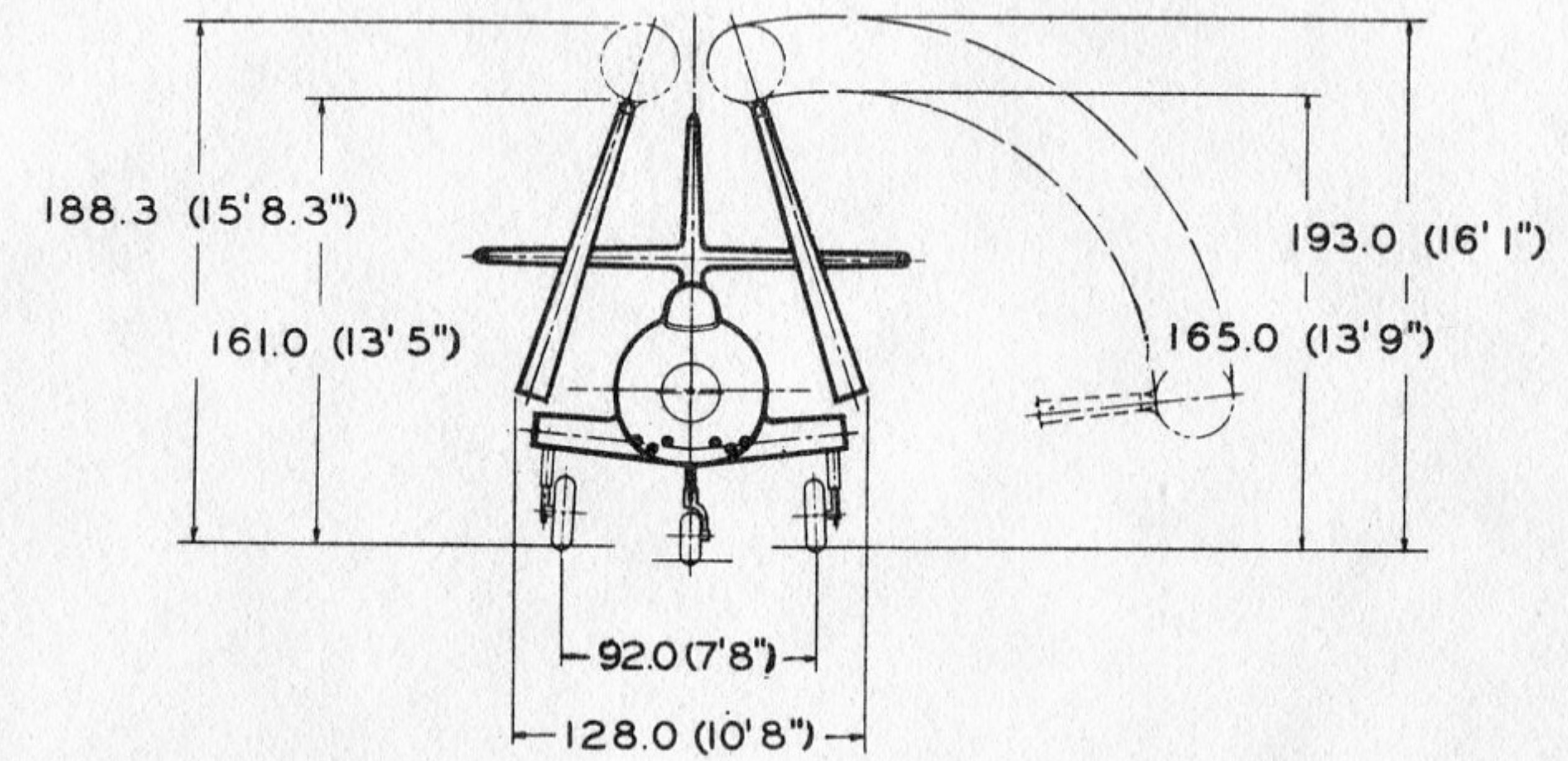
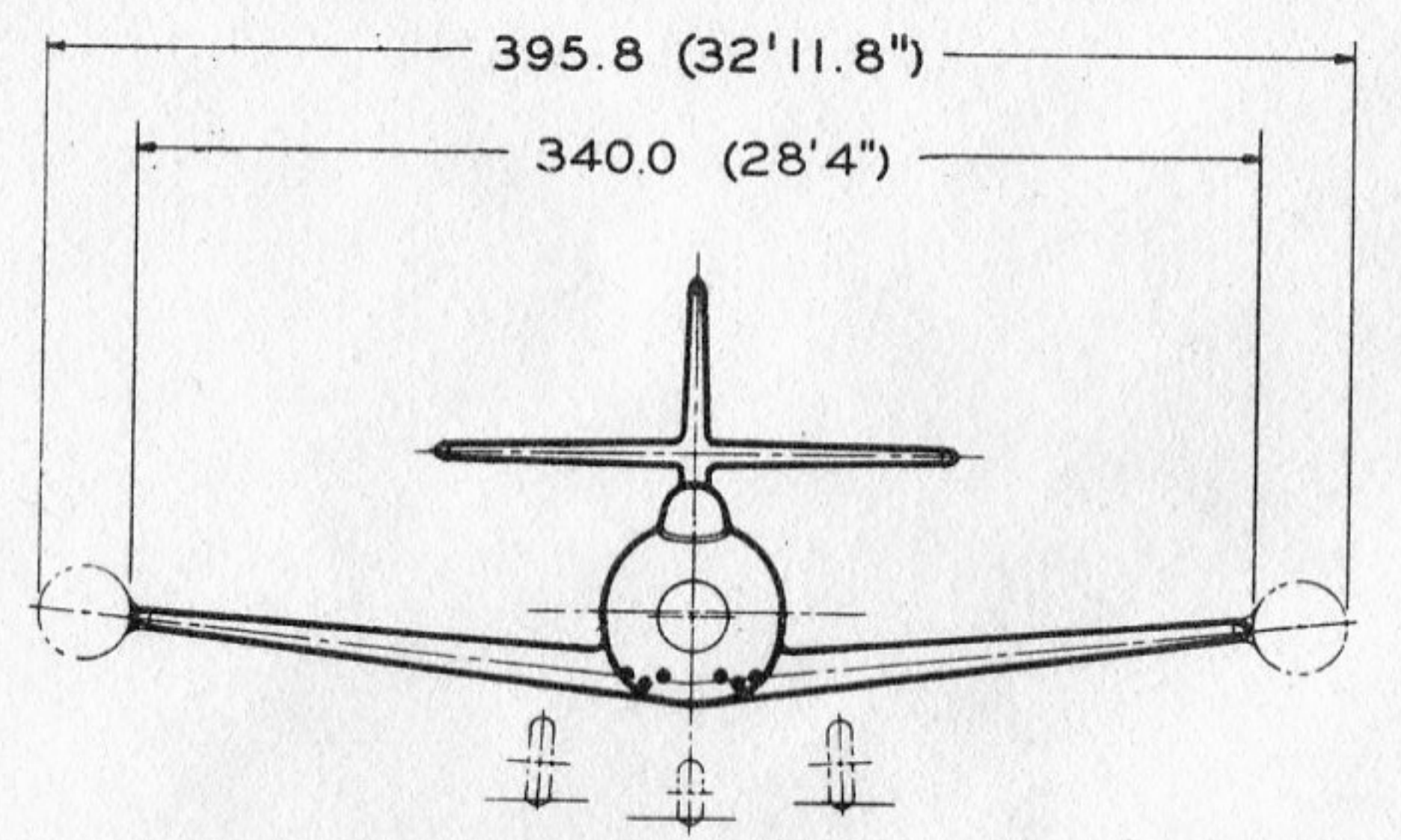
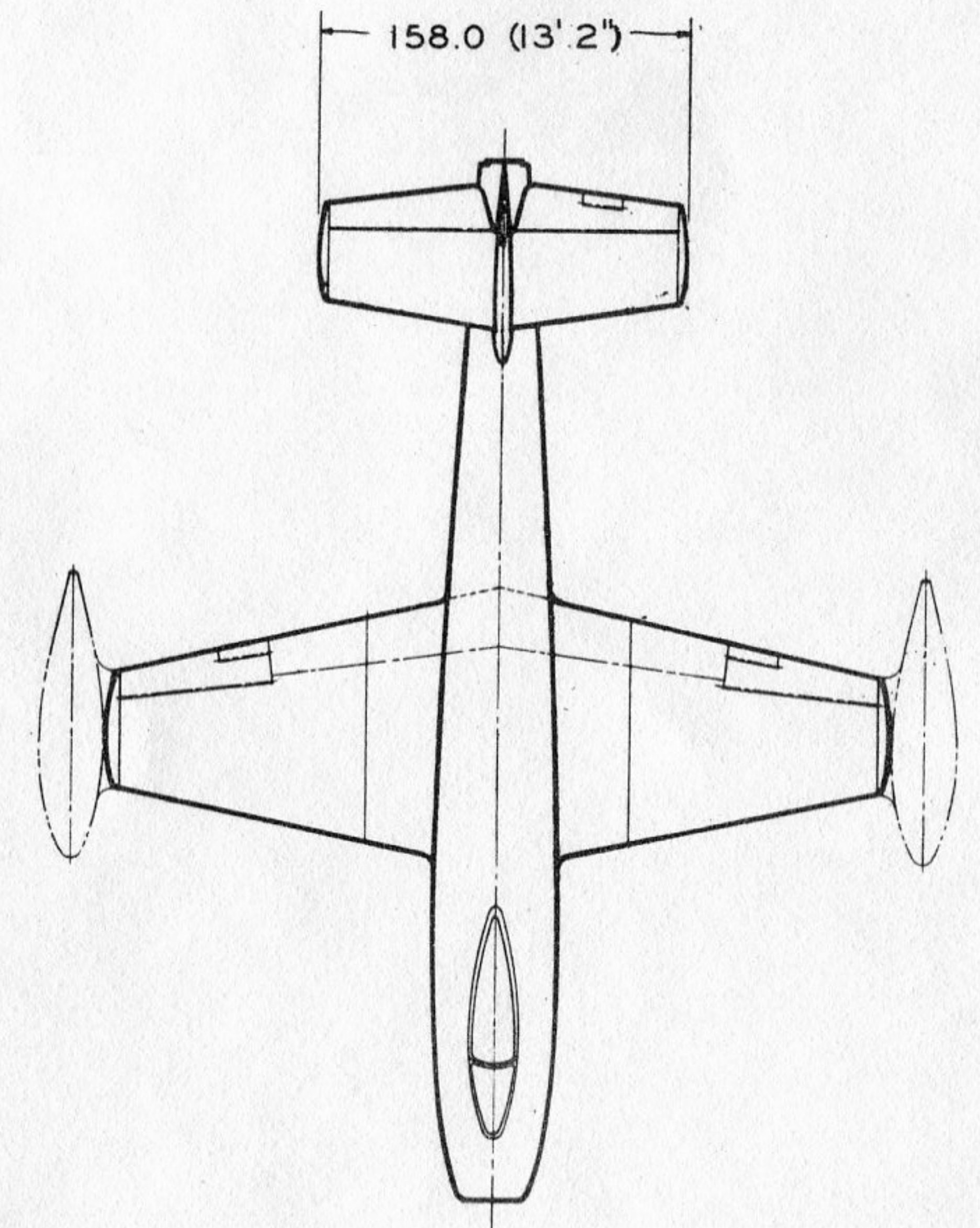


SECRET



WING AREA (TOTAL THEORETICAL INCLUDING
AILERONS) : 200FT.²
ASPECT RATIO: 4.0
INCIDENCE: 0°
DIHEDRAL: 6°
SWEEPBACK: 12°
WING AIRFOIL SECTION: 66.2-213
HORIZONTAL TAIL SURFACE AREA (TOTAL): 58FT.²
ELEVATOR AREA (AFT OF HINGE) : 17.4FT.²
VERTICAL TAIL SURFACE AREA (TOTAL): 33FT.²
RUDDER AREA (AFT OF HINGE): 9.6FT.²
AILERON AREA EACH SIDE (AFT OF HINGE): 7.4FT.²
ENGINE: ONE GENERAL ELECTRIC TG-180 JET ENGINE

MODEL 28
GENERAL ARRANGEMENT