

REVISION NOTICE

THESE ARE SUPERSEDING OR SUPPLEMEN-
TARY PAGES TO SAME PUBLICATION OF
PREVIOUS DATE

Insert these pages into basic publication
Destroy superseded pages

AN 01-245FBC-4

Illustrated Parts Breakdown

NAVY MODELS
F2H-3 • F2H-4
AIRPLANES

**PUBLISHED UNDER AUTHORITY OF THE SECRETARY OF THE
AIR FORCE AND THE CHIEF OF THE BUREAU OF AERONAUTICS**

15 April 1954
Revised 1 February 1958

SECTION I

INTRODUCTION

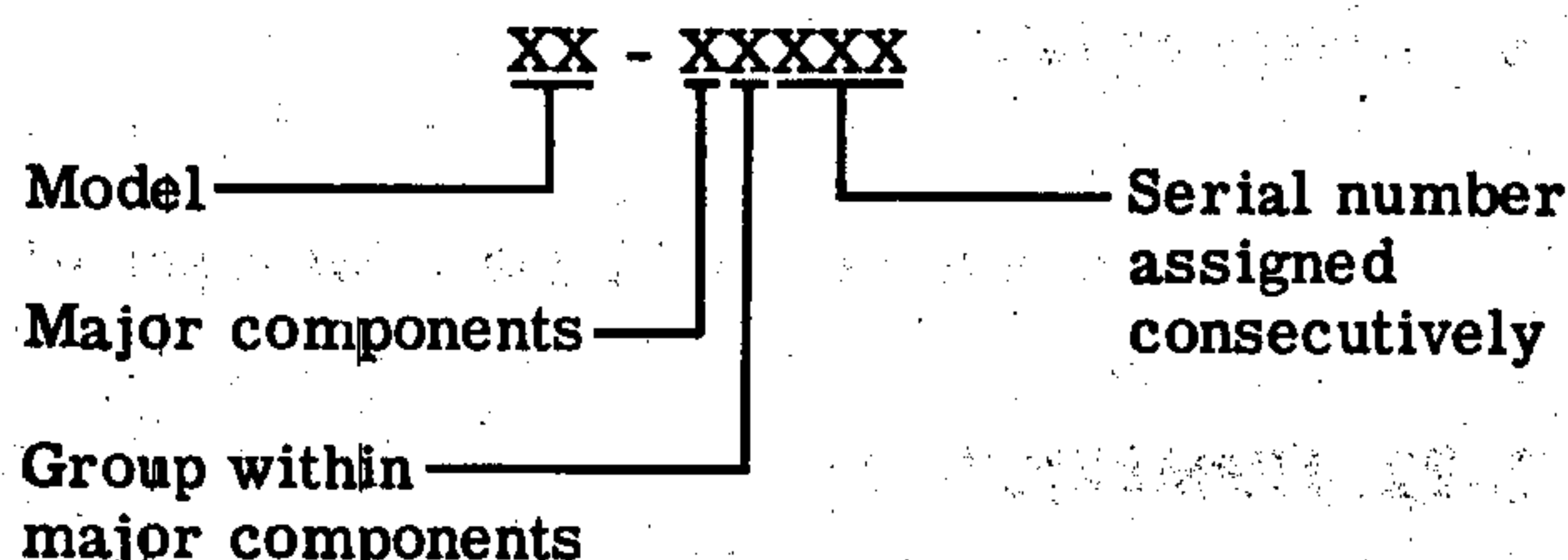
1-1. GENERAL.

1-2. The Illustrated Parts Breakdown for the F2H-3 and F2H-4, all purpose fighter airplane, contains listings and illustrations of assemblies and details that are considered to be replacement parts for line maintenance, overhaul and repair. This book is intended to aid in procurement, requisitioning, storing, issuing and identification of new and reclaimed parts. The general arrangement consists of:

Table of Contents
Section I - Introduction
Section II - Group Assembly Parts List
Section III - Numerical Index

1-3. DRAWING NUMBER SYSTEM.

1-4. The McDonnell numbering system for working drawings is as follows:



1-5. The model number for the F2H-3 airplane is 23 and will precede the first dash. Many parts from the model F2H-2 airplane are used on the F2H-3. Also a few parts from other models are used. 4- indicates a model FH-1 part, 11- indicates an XF2H-1 part, 14- indicates an XF-88 part, 15- indicates an F2H-2 part, 19- indicates an XF3H-1 part and 25- indicates an F3H-1 part. Numbers after the first dash are assigned as follows:

- 11000 to 19999 - Wing Group
- 21000 to 29999 - Empennage Group
- 30000 to 39999 - Body Group
- 41000 to 49999 - Landing Gear Group
- 50000 to 59999 - Power Plant Group
- 60000 to 87999 - Fixed Equipment Group

Sub-groups (Fixed Equipment)

- 60000 to 60999 - Instrument
- 61000 to 68999 - Surface Controls
- 69000 to 69999 - Hydraulic
- 70000 to 71999 - Armament
- 72000 to 72999 - Pneumatic
- 73000 to 73999 - External Stores
- 74000 to 79999 - Electrical
- 80000 to 85999 - Furnishings and Equip.
- 87000 to 87999 - Communication

1-6. SECTION I - INTRODUCTION.

1-7. This section contains general information con-

cerning the F2H-3 airplane and explains the use of this book. Careful reading of and reference to this section will add much to the understanding and use of this book. Included in the Introduction are: Master "Usable ON" Code, Manufacture's Code Symbols, Names and Addresses; and the F2H-3 Airplane General Assembly Illustration.

1-8. SECTION II - GROUP ASSEMBLY PARTS LIST.

1-9. This section is the body of the book. It is made up of listings of airplane parts arranged in assembly breakdown order, with corresponding illustrations placed usually in a facing position, or as near as possible to the appropriate listing. This section is divided into the main groups of the airplane and is arranged in the following order:

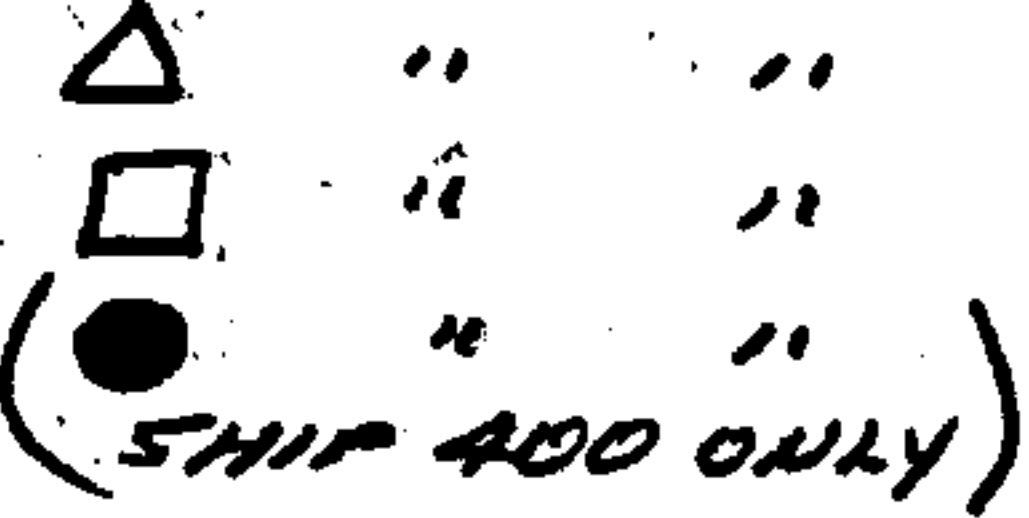
- Wing Group
- Tail Group
- Nose Section
- Forward Fuselage
- Center Section Wing and Fuselage
- Aft Fuselage
- Power Plant and Fuel System
- Tool and Ground Handling Equipment
- Special Equipment Kits
- Systems Index

1-10. FIGURE AND INDEX NUMBER. This column contains the figure number of the illustration which shows the parts and the index numbers which correspond to and locate the parts on the illustration.

1-11. PART NUMBER. This column contains the part number assigned to each part. Part numbers affected by service changes are noted in this column by a boxed number following the part number and explained in a footnote on each page where it appears.

1-12. NOMENCLATURE. This column contains the complete nomenclature of each item (except standard parts) in accordance with the contractor's drawing titles. Also included parenthetically is pertinent information regarding alternate and altered parts, identical and equivalent parts, applicable Government specifications and catalog numbers. The nomenclature of all vendor items is followed by the code symbol of the design manufacturer in parenthesis. A complete list of code symbols, manufacturer's names and addresses is included in this introduction.

1-13. INDENT OF NOMENCLATURE. In order that details of an assembly may be easily identified, the nomenclature is indented one column to the right. The nomenclature columns are numbered at the top of each listing. Each detail part or assembly is listed below and one column to the right of its next assembly. And by locating the first assembly listed above and one column to the left of any particular part, it is possible to ascertain its next assembly. All listings begin in column 1 and by locating the figure referenced follow-



" -301 9-302
 " -303 9-304, RPS -301 9-302 FOR F/P
 " -305 9-3006 245FBC-4

MASTER USABLE ON CODE

(-1,-2)301(Sec Paragraph 1-15)

NOTE: THRU -303 9-304 WINGS MOD. BY ASC 392

The serial numbers assigned to the F2H-3 and F2H-4 airplanes have been separated below into the Contractor's production blocks. Each block is represented by a letter code to include all serial numbers of that production block. Each block further breaks down into individual unit codes for coding changes within a block. The Contractor's production sequence number (MAC No.) is included as added information.

The following are examples of code usage:

a-b indicates part to be usable on F2H-3 Serial Numbers 126291 thru 126320.

a-c20 indicates part to be usable on F2H-3 Serial Numbers 126291 thru 126340.

g-i, n indicates part to be usable on F2H-3 Serial Numbers 126471 thru 127546 and F2H-4 Serial Numbers 127667 thru 127693.

NOTE: Absence of code indicates part to be usable on all F2H-3 and F2H-4 airplanes.

● = CANADIAN

F2H-3 AIRPLANES

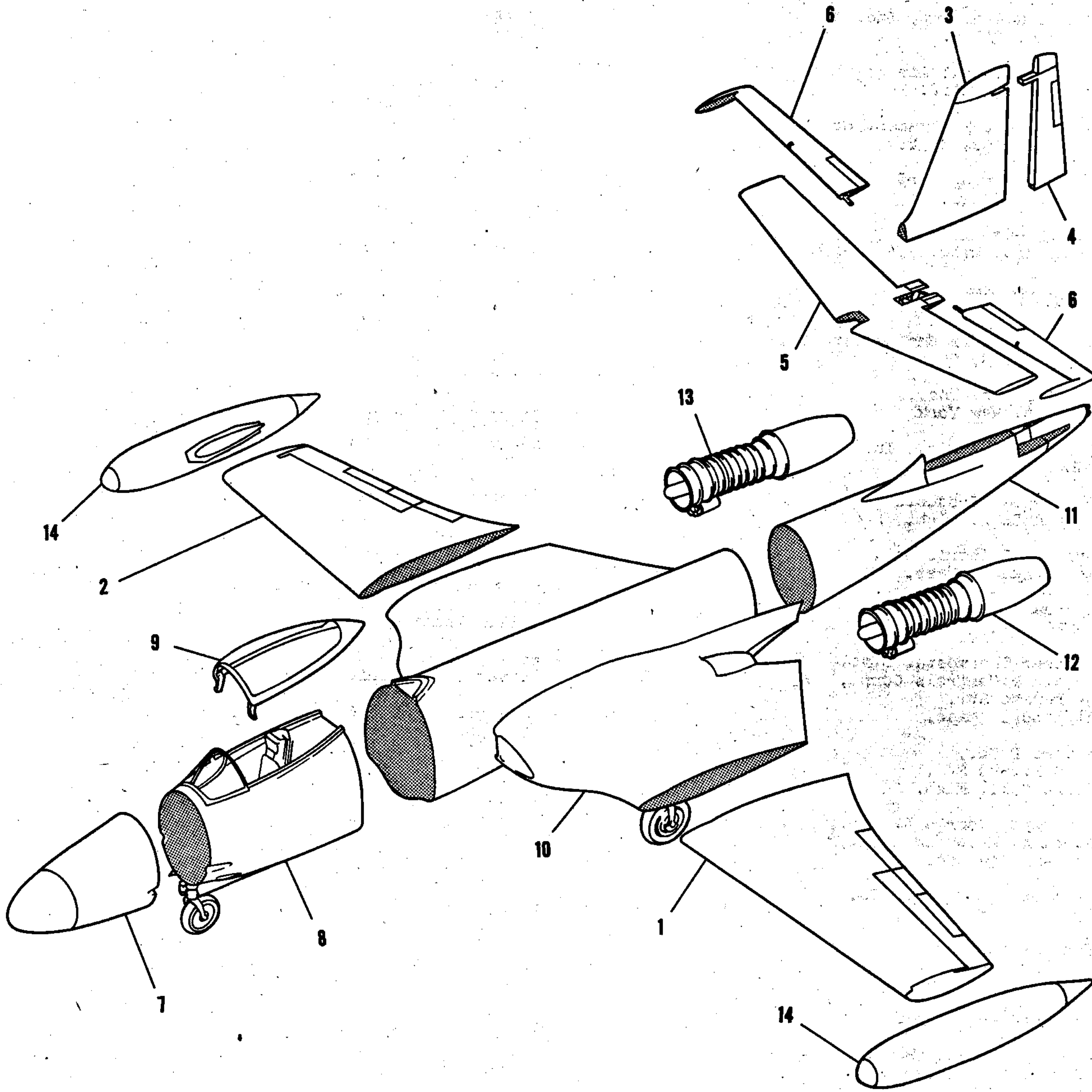
BLOCK CODE	UNIT CODE	SERIAL NUMBER	UNIT CODE	SERIAL NUMBER	MAC NO.	UNIT CODE	SERIAL NUMBER	MAC NO.	UNIT CODE	SERIAL NUMBER	MAC NO.
a (Block 1)	1	126291	1	4	126294	7	126297	10	126300	10	
	2	126292	2	5	126295	8	126298	11			
	3	126293	3	6	126296	9	126299	12			
b (Block 2)	1	126301	11	6	126306	16	126311	21	16	126316	26
	2	126302	12	7	126307	17	126312	22	17	126317	27
	3	126303	13	8	126308	18	126313	23	18	126318	28
	4	126304	14	9	126309	19	126314	24	19	126319	29
	5	126305	15	10	126310	20	126315	25	20	126320	30
c (Block 3)	1	126321	31	9	126329	39	126337	47	25	126345	55
	2	126322	32	10	126330	40	126338	48	26	126346	56
	3	126323	33	11	126331	41	126339	49	27	126347	57
	4	126324	34	12	126332	42	126340	50	28	126348	58
	5	126325	35	13	126333	43	126342	51	29	126349	59
	6	126326	36	14	126334	44	126342	52	30	126350	60
	7	126327	37	15	126335	45	126343	53			
	8	126328	38	16	126336	46	126344	54			
d (Block 4)	1	126354	64	11	126364	74	126374	84	31	126384	94
	2	126355	65	12	126365	75	126375	85	32	126385	95
	3	126356	66	13	126366	76	126376	86	33	126386	96
	4	126357	67	14	126367	77	126377	87	34	126387	97
	5	126358	68	15	126368	78	126378	88	35	126388	98
	6	126359	69	16	126369	79	126379	89	36	126389	99
	7	126360	70	17	126370	80	126380	90	37	126390	100
	8	126361	71	18	126371	81	126381	91			
	9	126362	72	19	126372	82	126382	92			
	10	126363	73	20	126373	83	126383	93			
e (Block 5)	1	126391	101	11	126401	111	126411	121	31	126421	131
	2	126392	102	12	126402	112	126412	122	32	126422	132
	3	126393	103	13	126403	113	126413	123	33	126423	133
	4	126394	104	14	126404	114	126414	124	34	126424	134
	5	126395	105	15	126405	115	126415	125	35	126425	135
	6	126396	106	16	126406	116	126416	126	36	126426	136
	7	126397	107	17	126407	117	126417	127	37	126427	137
	8	126398	108	18	126408	118	126418	128	38	126428	138
	9	126399	109	19	126409	119	126419	129	39	126429	139
	10	126400	110	20	126410	120	126420	130	40	126430	140
f (Block 6)	1	126431	141	11	126441	151	126451	161	31	126461	171
	2	126432	142	12	126442	152	126452	162	32	126462	172
	3	126433	143	13	126443	153	126453	163	33	126463	173
	4	126434	144	14	126444	154	126454	164	34	126464	174
	5	126435	145	15	126445	155	126455	165	35	126465	175
	6	126436	146	16	126446	156	126456	166	36	126466	176
	7	126437	147	17	126447	157	126457	167	37	126467	177
	8	126438	148	18	126448	158	126458	168	38	126468	178
	9	126439	149	19	126449	159	126459	169	39	126469	179
	10	126440	150	20	126450	160	126460	170	40	126470	180
g (Block 10)	1	126471	328	5	126475	332	126479	336	13	126483	340
	2	126472	329	6	126476	333	126480	337			340
	3	126473	330	7	126477	334	126481	338			
	4	126474	331	8	126478	335	126482	339			

AN01-245FBC-4

MASTER "USABLE ON" CODE (Continued)

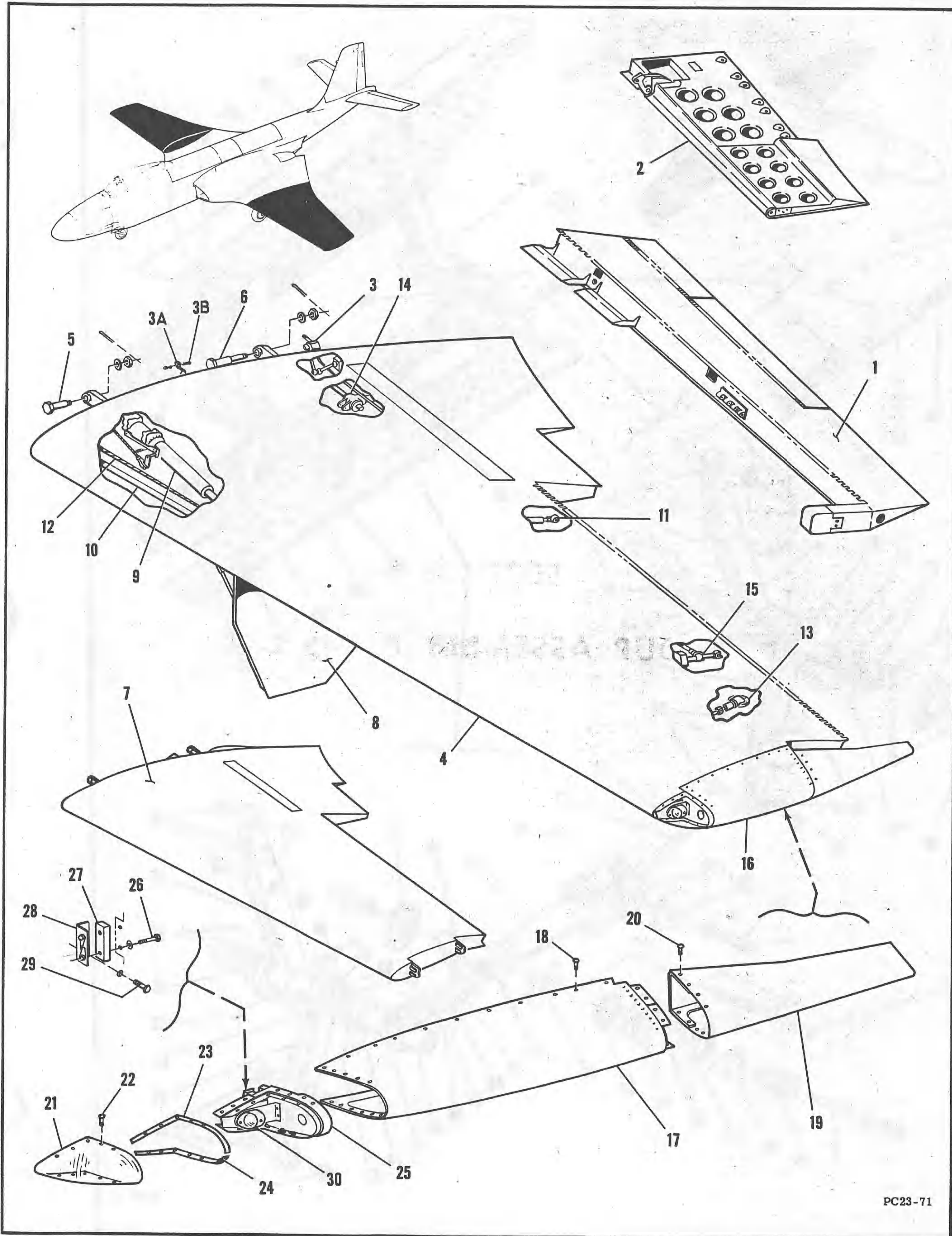
F2H-3 AIRPLANES

BLOCK CODE	UNIT CODE	SERIAL NUMBER	MAC NO.	UNIT CODE	SERIAL NUMBER	MAC NO.	UNIT CODE	SERIAL NUMBER	MAC NO.	UNIT CODE	SERIAL NUMBER	MAC NO.
h Δ (Block 11)	1	126484	341	11	127497	351	21	127507	361	31	127517	371
	2	126485	342	12	127498	352	22	127508	362	32	127518	372
	3	126486	343	13	127499	353	23	127509	363	33	127519	373
	4	126487	344	14	127500	354	24	127510	364	34	127520	374
	5	126488	345	15	127501	355	25	127511	365	35	127521	375
	6	126489	346	16	127502	356	26	127512	366	36	127522	376
	7	127493	347	17	127503	357	27	127513	367	37	127523	377
	8	127494	348	18	127504	358	28	127514	368	38	127524	378
	9	127495	349	19	127505	359	29	127515	369	39	127525	379
	10	127496	350	20	127506	360	30	127516	370	40	127526	380
i \square (Block 12)	1	127527	381	6	127532	386	11	127537	391	16	127542	396
	2	127528	382	7	127533	387	12	127538	392	17	127543	397
	3	127529	383	8	127534	388	13	127539	393	18	127544	398
	4	127530	384	9	127535	389	14	127540	394	19	127545	399
	5	127531	385	10	127536	390	15	127541	395	20	127546	400
F2H-4 AIRPLANES												
j $*$ (Block 4)	1	126351	61	2	126352	62	3	126353	63			
k $*$ (Block 7)	1	127547	181	11	127557	191	21	127567	201	31	127577	211
	2	127548	182	12	127558	192	22	127568	202	32	127578	212
	3	127549	183	13	127559	193	23	127569	203	33	127579	213
	4	127550	184	14	127560	194	24	127570	204	34	127580	214
	5	127551	185	15	127561	195	25	127571	205	35	127581	215
	6	127552	186	16	127562	196	26	127572	206	36	127582	216
	7	127553	187	17	127563	197	27	127573	207	37	127583	217
	8	127554	188	18	127564	198	28	127574	208	38	127584	218
	9	127555	189	19	127565	199	29	127575	209	39	127585	219
	10	127556	190	20	127566	200	30	127576	210	40	127586	220
l Δ (Block 8)	1	127587	221	11	127597	231	21	127607	241	31	127617	251
	2	127588	222	12	127598	232	22	127608	242	32	127618	252
	3	127589	223	13	127599	233	23	127609	243	33	127619	253
	4	127590	224	14	127600	234	24	127610	244	34	127620	254
	5	127591	225	15	127601	235	25	127611	245	35	127621	255
	6	127592	226	16	127602	236	26	127612	246	36	127622	256
	7	127593	227	17	127603	237	27	127613	247	37	127623	257
	8	127594	228	18	127604	238	28	127614	248	38	127624	258
	9	127595	229	19	127605	239	29	127615	249	39	127625	259
	10	127596	230	20	127606	240	30	127616	250	40	127626	260
m Δ (Block 9)	1	127627	261	11	127637	271	21	127647	281	31	127657	291
	2	127628	262	12	127638	272	22	127648	282	32	127658	292
	3	127629	263	13	127639	273	23	127649	283	33	127659	293
	4	127630	264	14	127640	274	24	127650	284	34	127660	294
	5	127631	265	15	127641	275	25	127651	285	35	127661	295
	6	127632	266	16	127642	276	26	127652	286	36	127662	296
	7	127633	267	17	127643	277	27	127653	287	37	127663	297
	8	127634	268	18	127644	278	28	127654	288	38	127664	298
	9	127635	269	19	127645	279	29	127655	289	39	127665	299
	10	127636	270	20	127646	280	30	127656	290	40	127666	300
n Δ (Block 10)	1	127667	301	8	127674	308	15	127681	315	22	127688	322
	2	127668	302	9	127675	309	16	127682	316	23	127689	323
	3	127669	303	10	127676	310	17	127683	317	24	127690	324
	4	127670	304	11	127677	311	18	127684	318	25	127691	325
	5	127671	305	12	127678	312	19	127685	319	26	127692	326
	6	127672	306	13	127679	313	20	127686	320	27	127693	327
	7	127673	307	14	127680	314	21	127687	321			



PC23-01

Figure 1 -- Airplane General Assembly - F2H-3



PC23-71

Figure 2 -- Outer Wing Installation

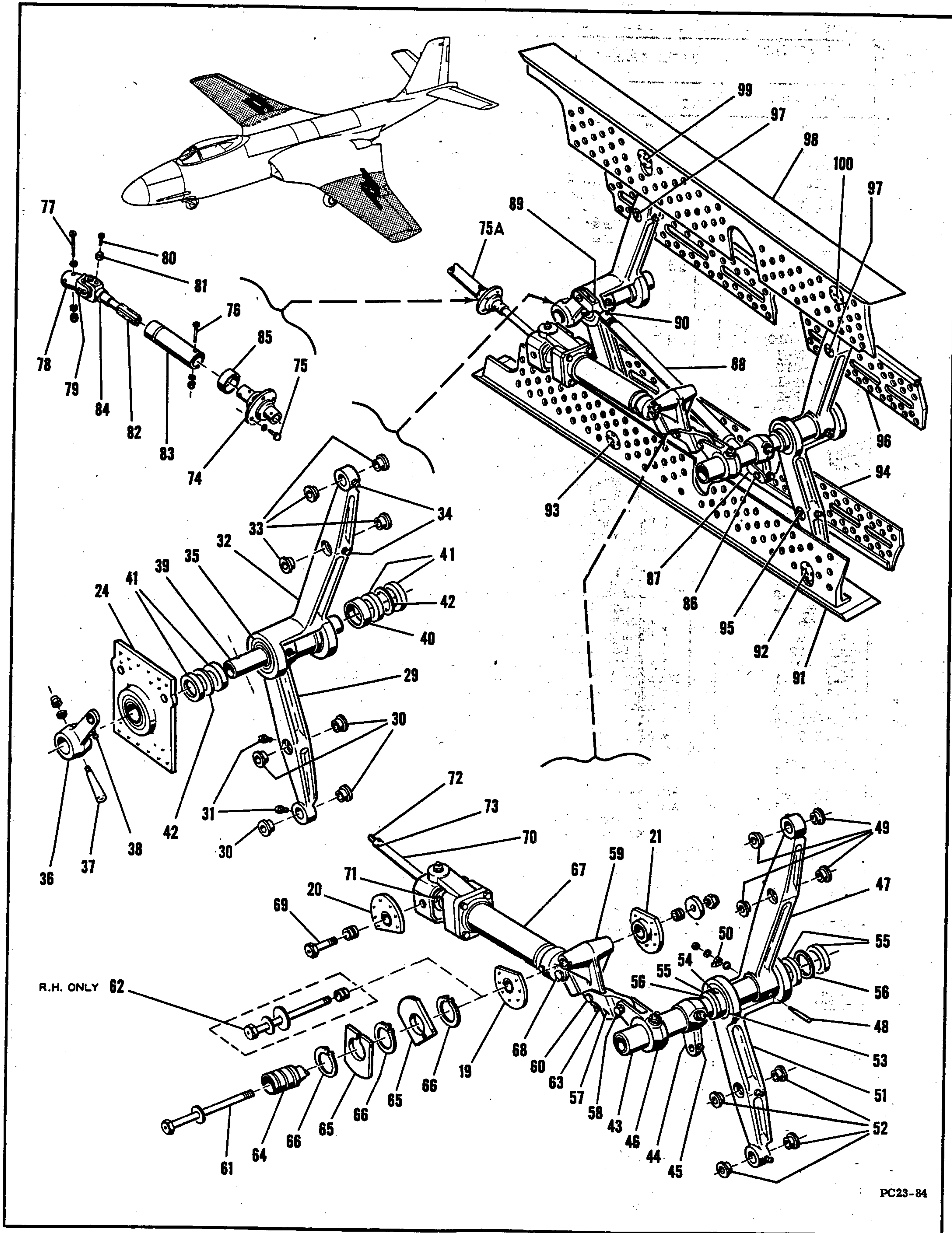
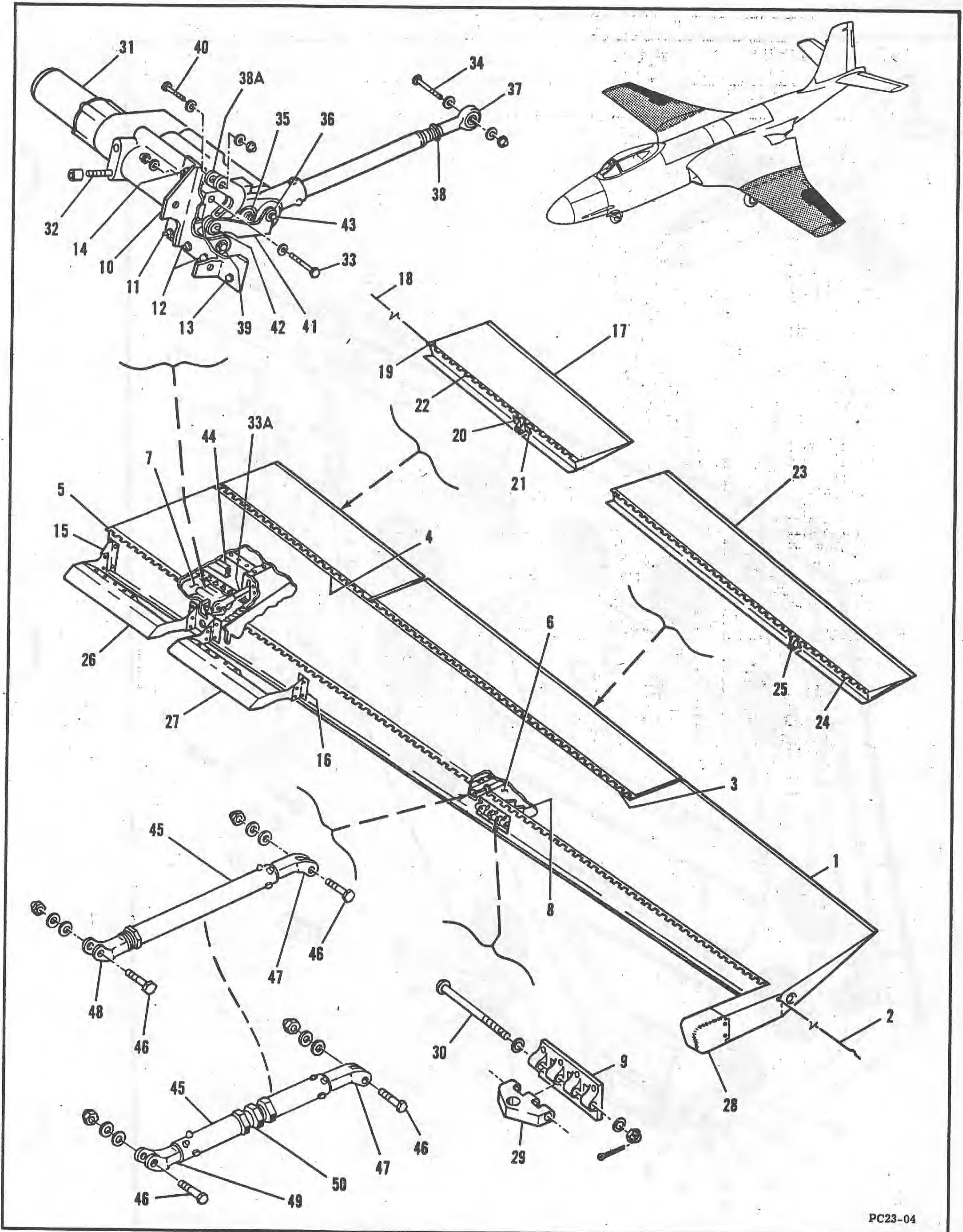


Figure 5 -- (Sheet 2 of 2 Sheets) Speed Brake Structural & Mechanism Assembly



PC23-04

Figure 7 -- Aileron Installation

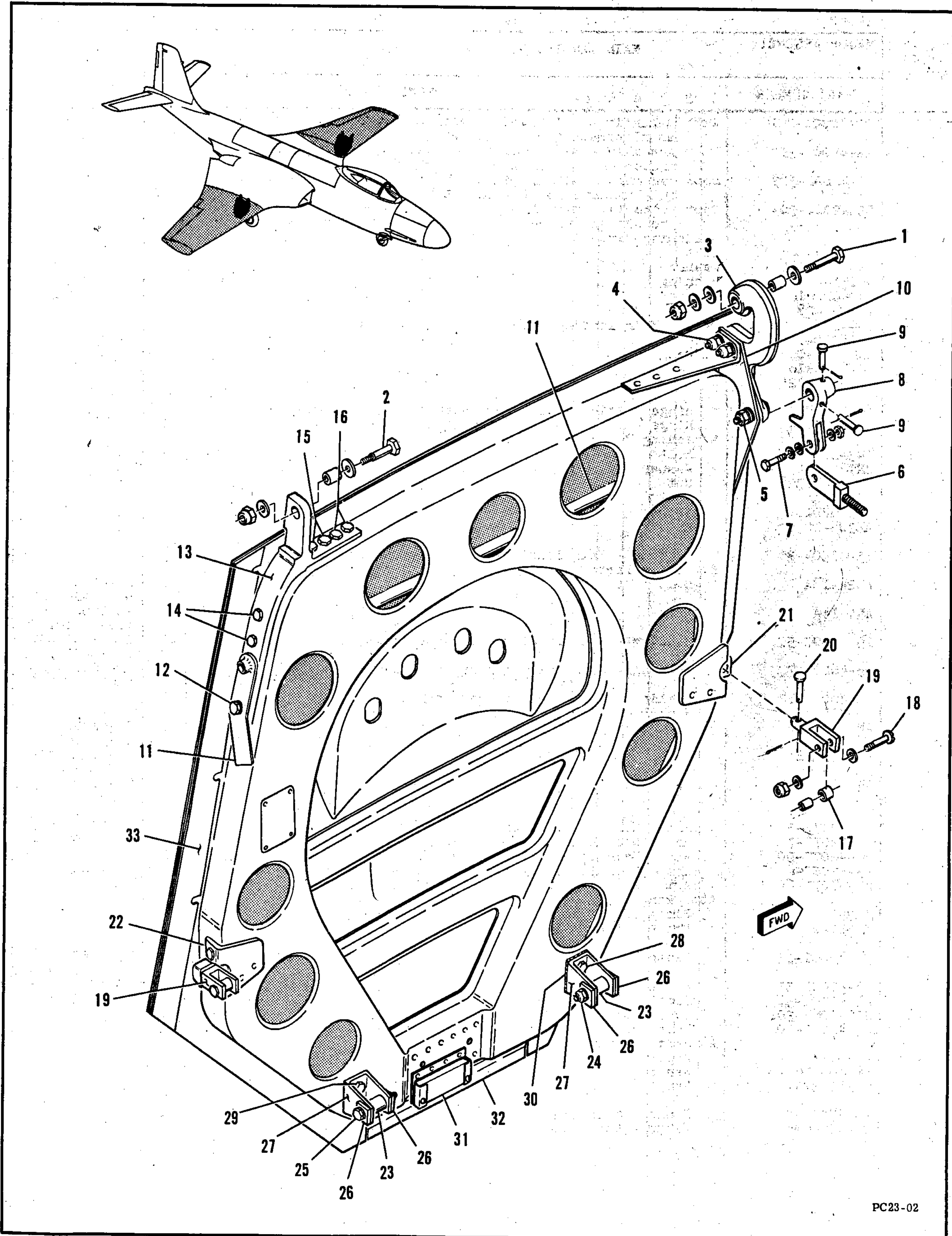
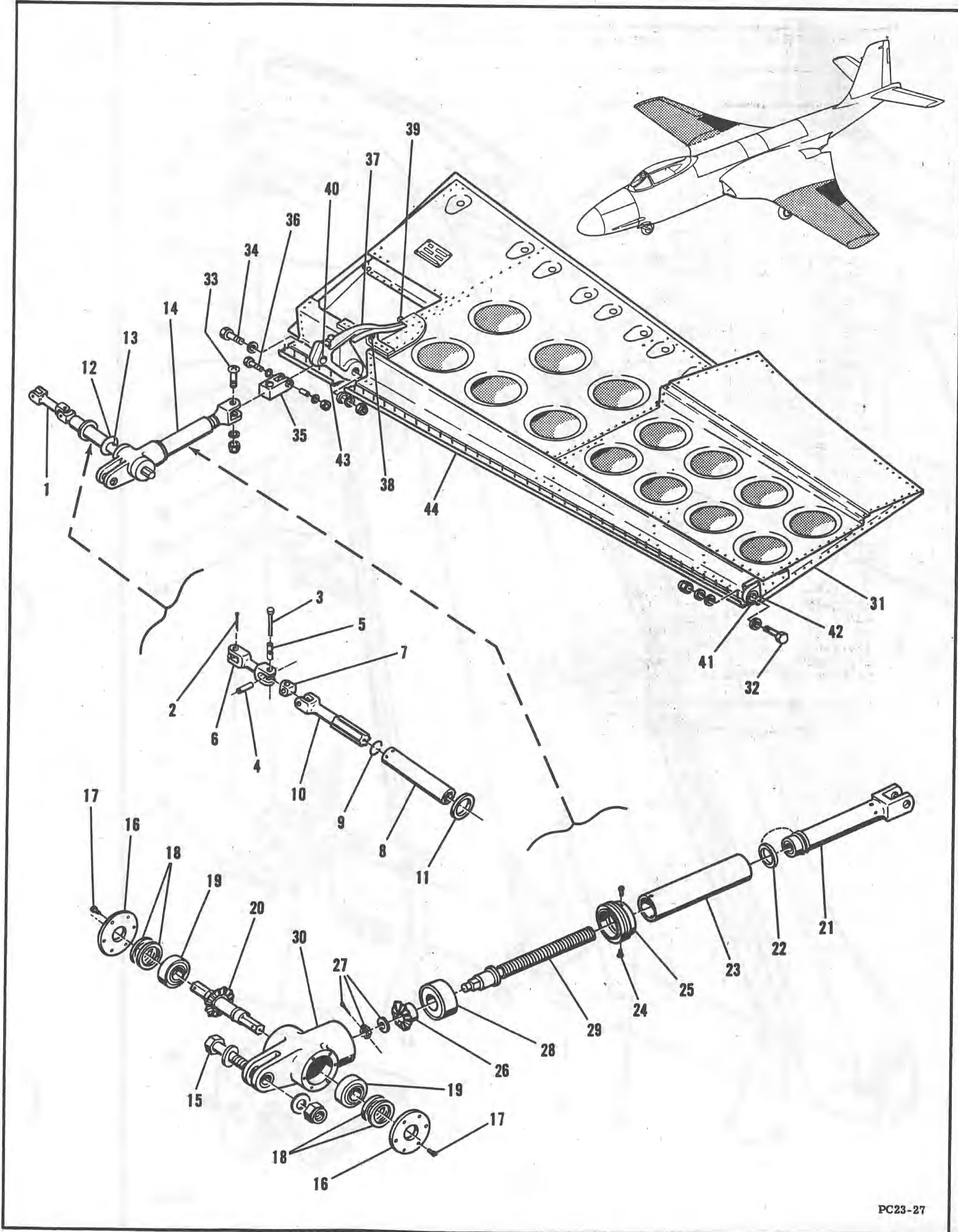
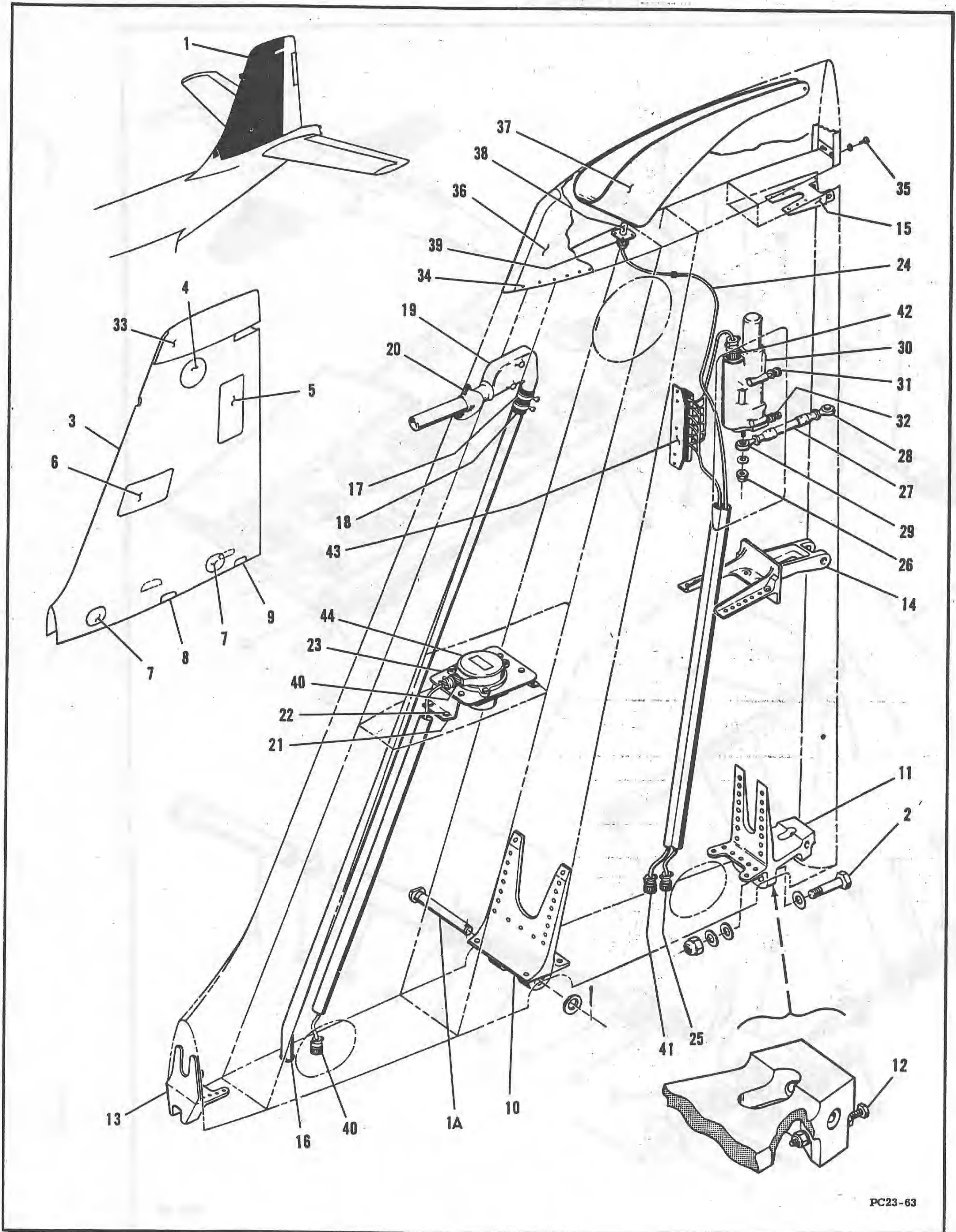


Figure 13 -- Main Landing Gear Door Assembly



PC23-27

Figure 14 -- Outer Wing Flap Controls & Flap Installations



PC23-63

Figure 18 -- Fin Installation

AN 01-245FBC-4

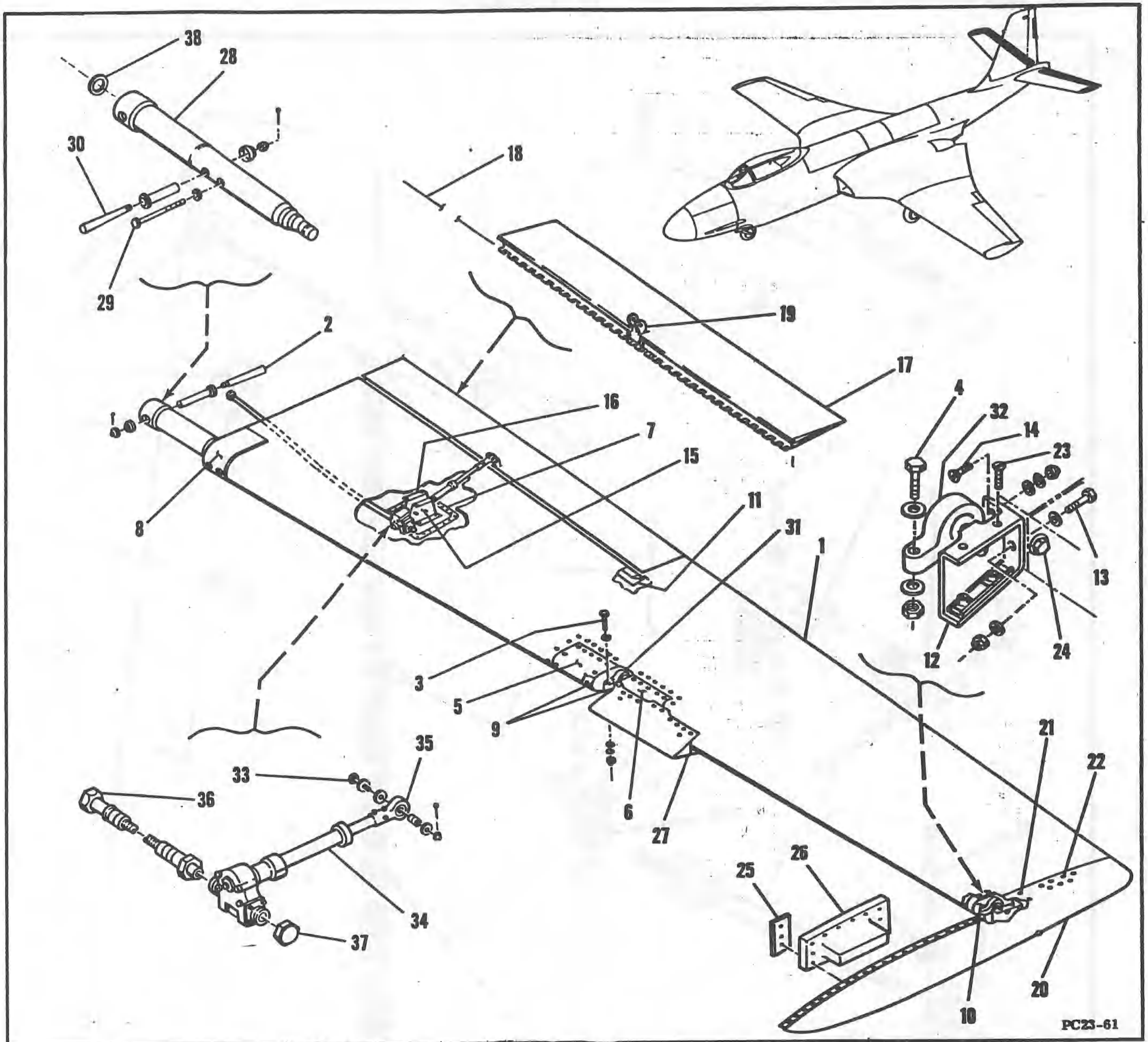
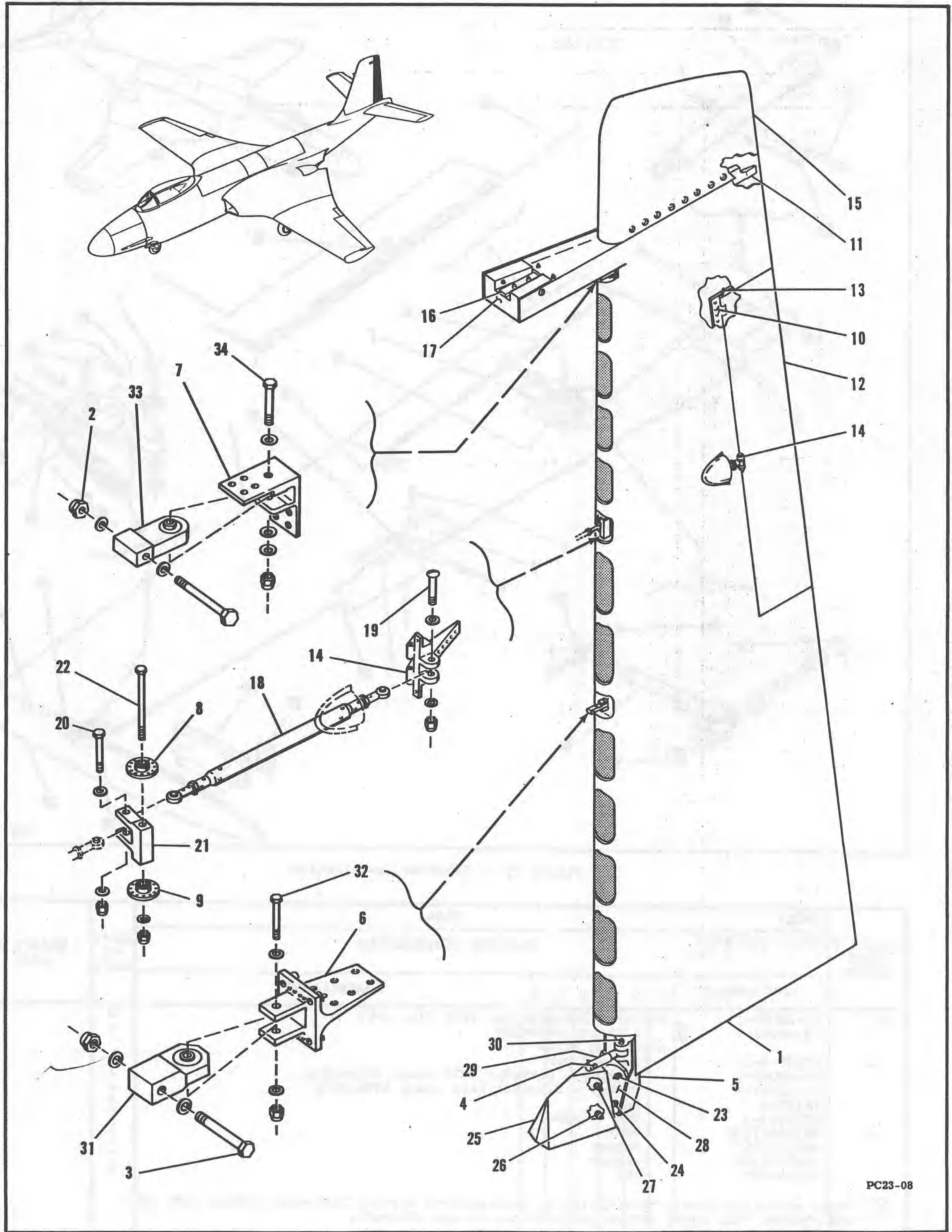


Figure 19 -- Elevator Installation

FIGURE & INDEX NUMBER	TAIL						UNITS PER ASS'Y	USABLE ON CODE
	ELEVATOR INSTALLATION							
	PART NUMBER	1	2	3	4	5		
19-	23-22000-1						2	
-1	23-22001-1	1					1	
-2	AN386-5-21						1	
	23-22096-3						1	
	23-22097-3						1	
	AN320-6						1	
	AN380-3-3						1	
-3	NAS464-7A38						1	
	AN960D716						1	
	AN960D716L						2	
	AN364-720						1	
<p>1 These elevators should be modified by Contractor's Service Bulletins 23SB23 (ASC 227) and 23SB68A (ASC 295A) before installation on any aircraft.</p>								

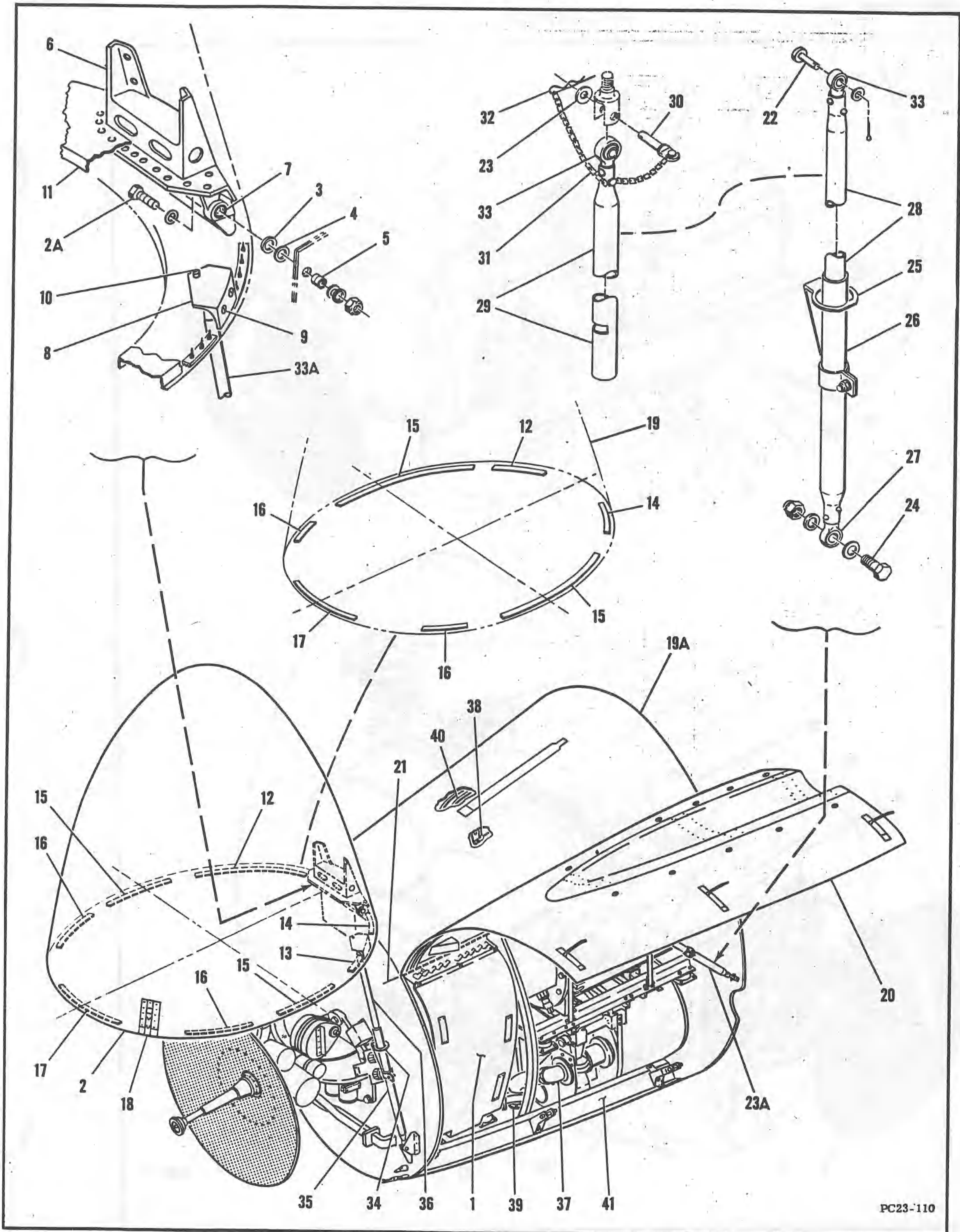
SECTION 11
GROUP ASSEMBLY PARTS LIST

AN 01-245FBC-4



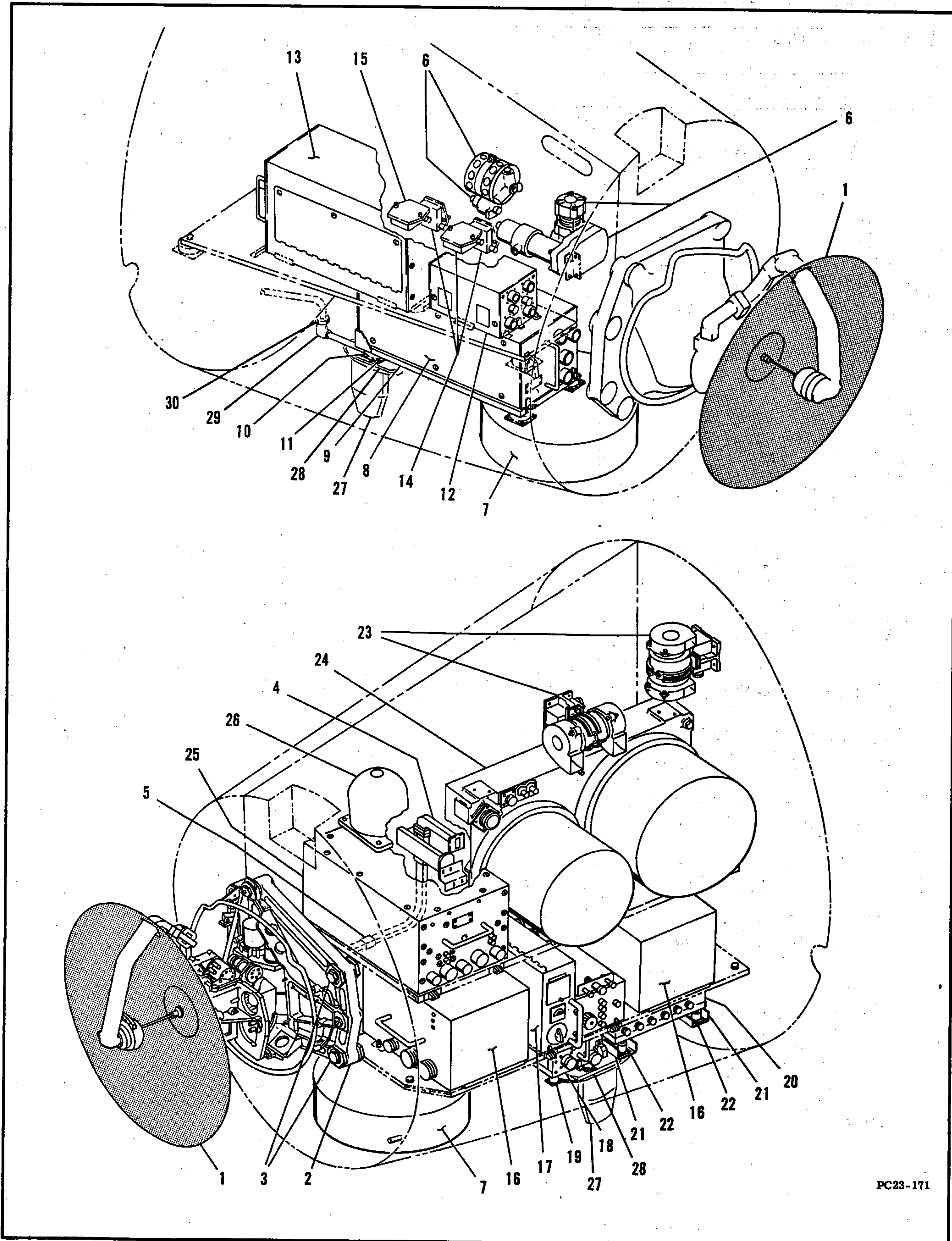
PC23-08

Figure 20 -- Rudder Installation



PC23-110

Figure 23 -- Nose Section Fuselage Assembly



PC23-171

Figure 29 -- Forward Fuselage Nose Radar & Radio Equipment Installation - F2H-4

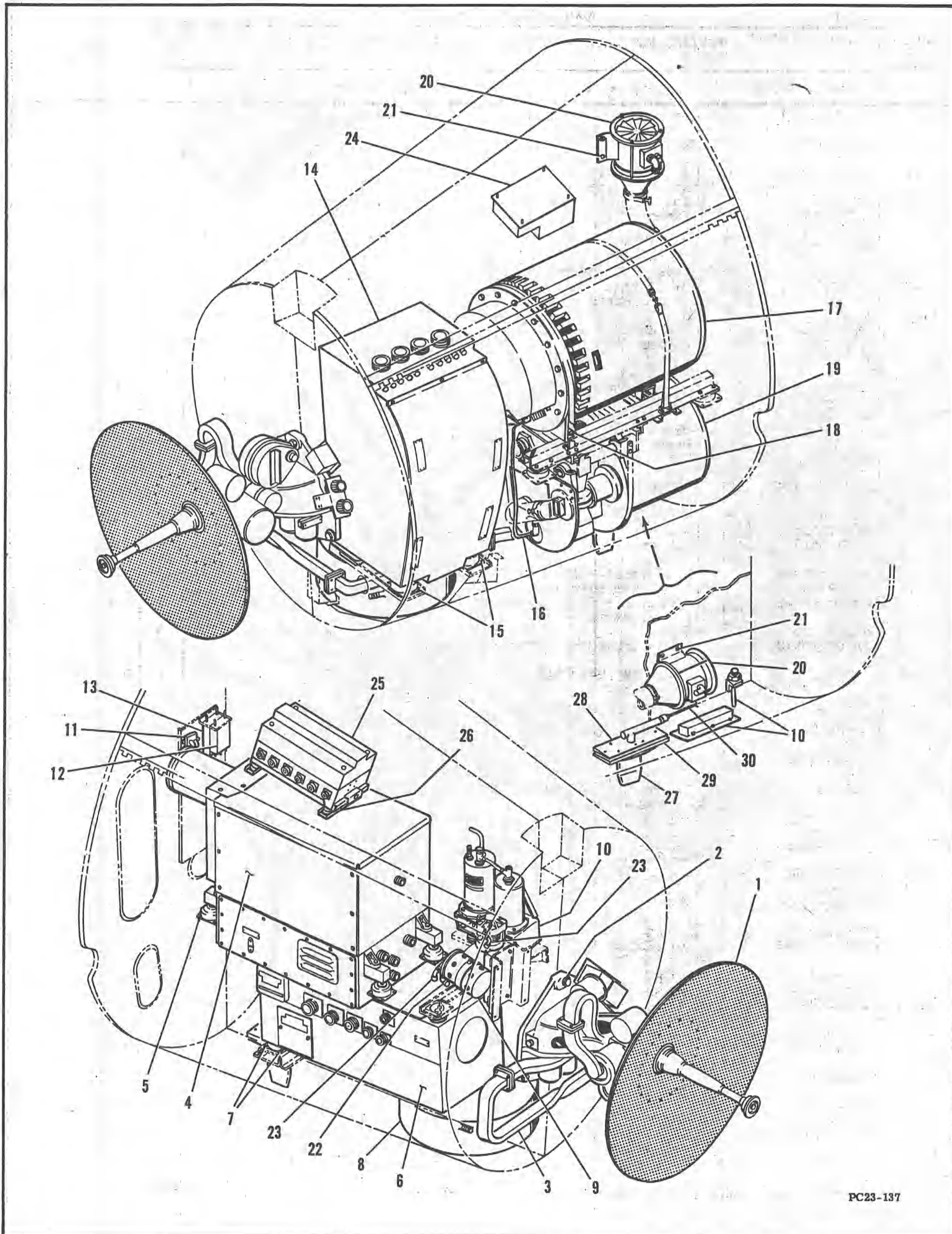
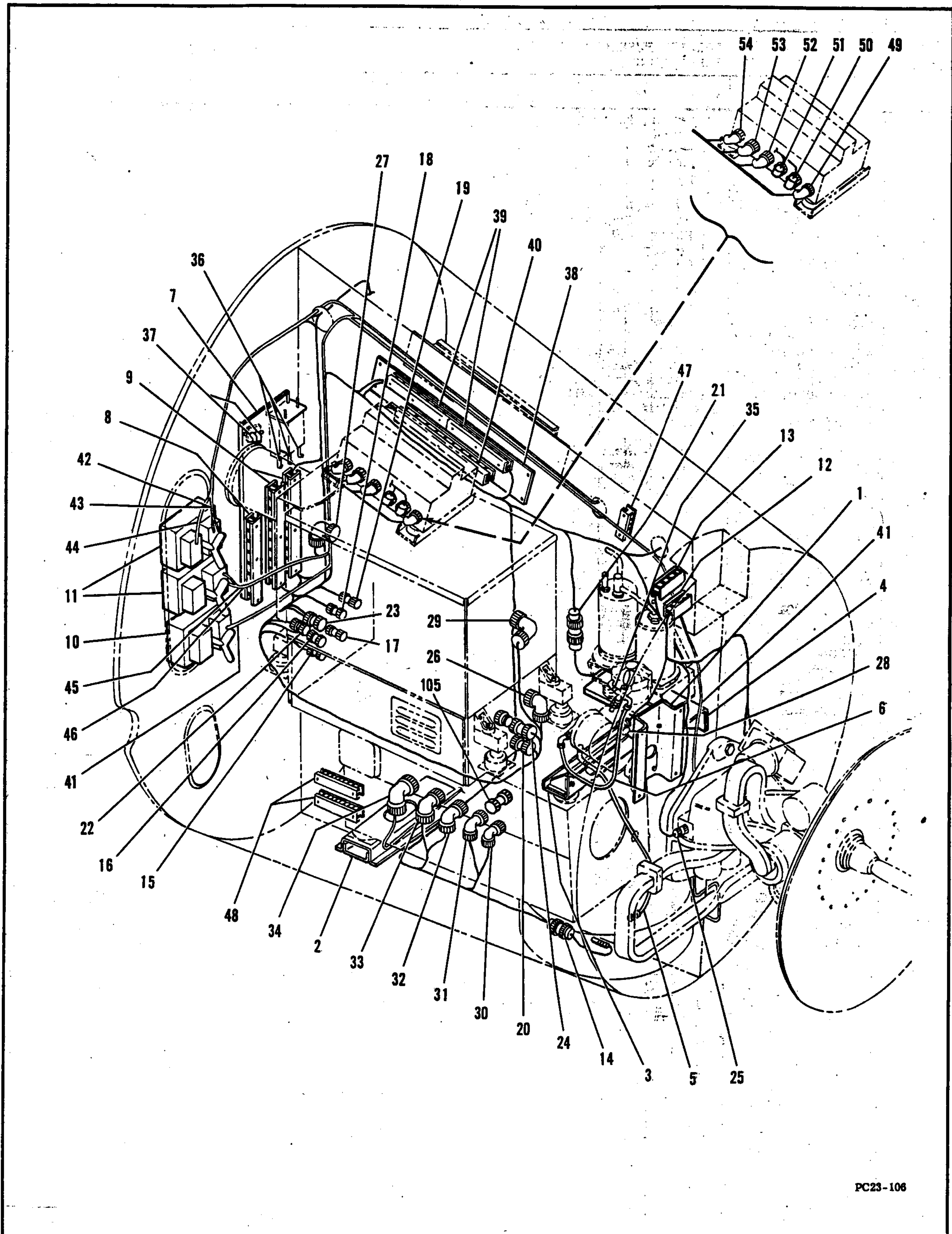
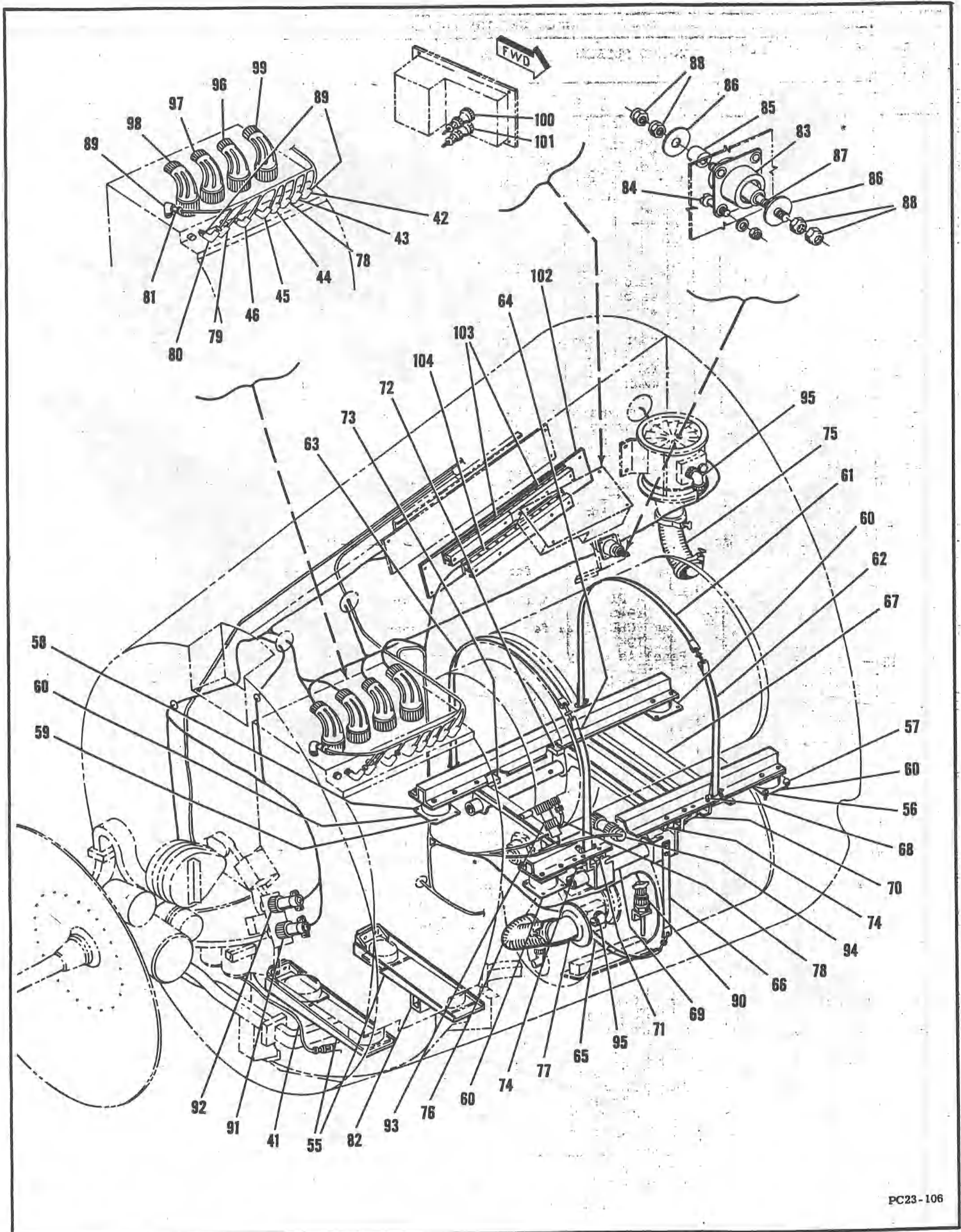


Figure 28 -- Forward Fuselage Nose Radar & Radio Equipment Installation - F2H-3



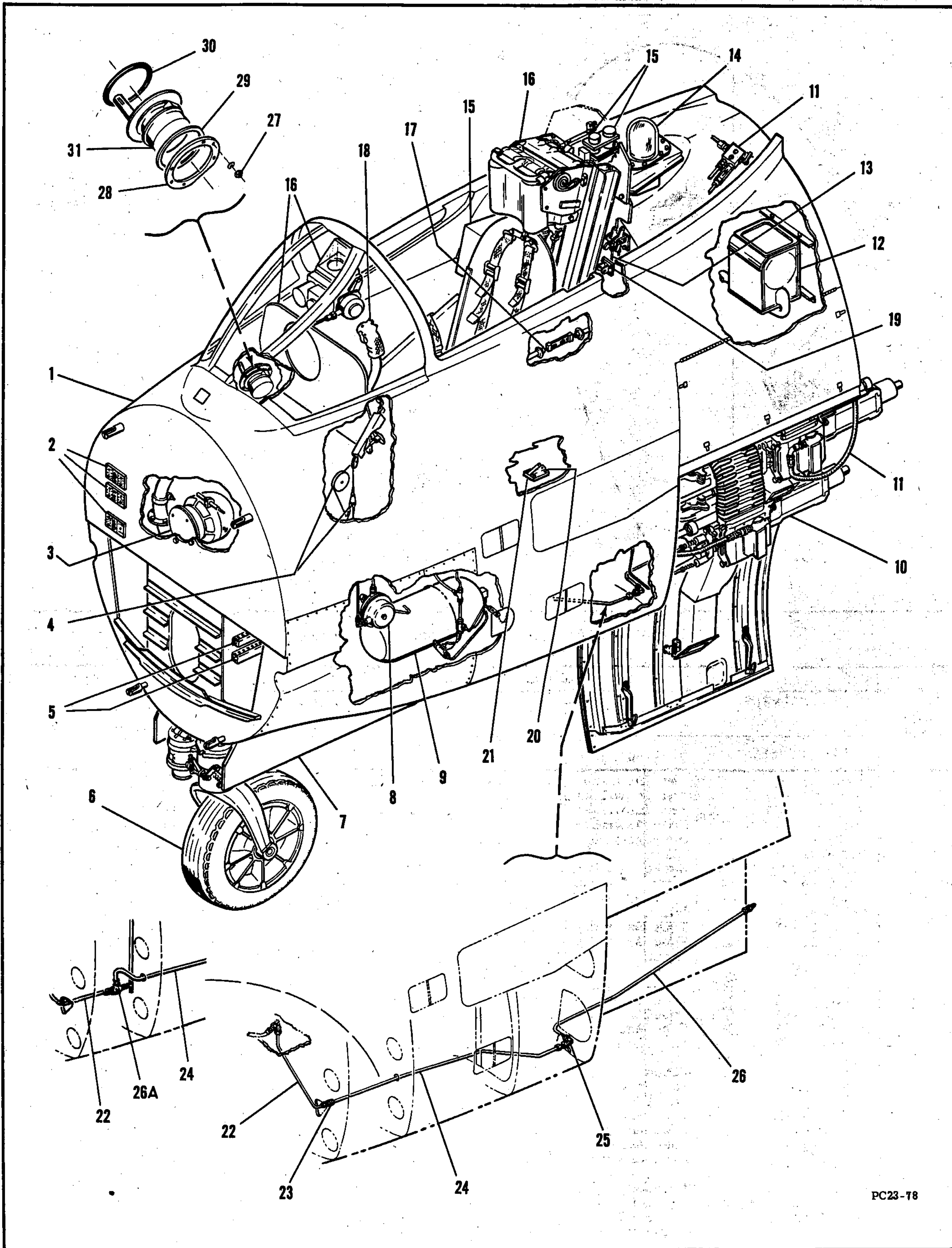
PC23-106

Figure 30 -- (Sheet 1 of 2 Sheets) Forward Fuselage Nose Radar & Radio Installation - F2H-3



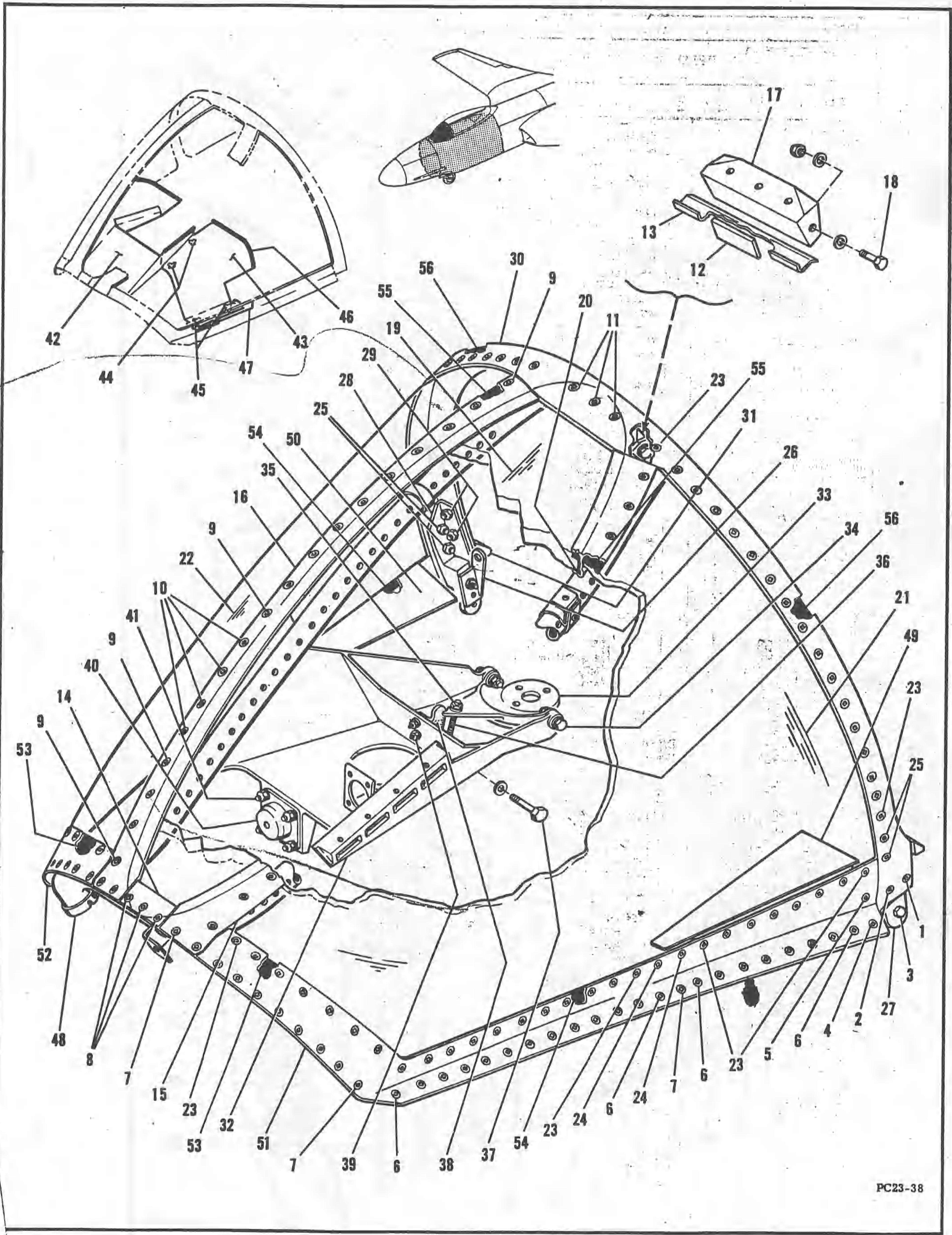
PC23-106

Figure 30 -- (Sheet 2 of 2 Sheets) Forward Fuselage Nose Radar & Radio Installation - F2H-3



PC23-78

Figure 33 -- Forward Fuselage Assembly



PC23-38

Figure 36 -- Windshield Assembly

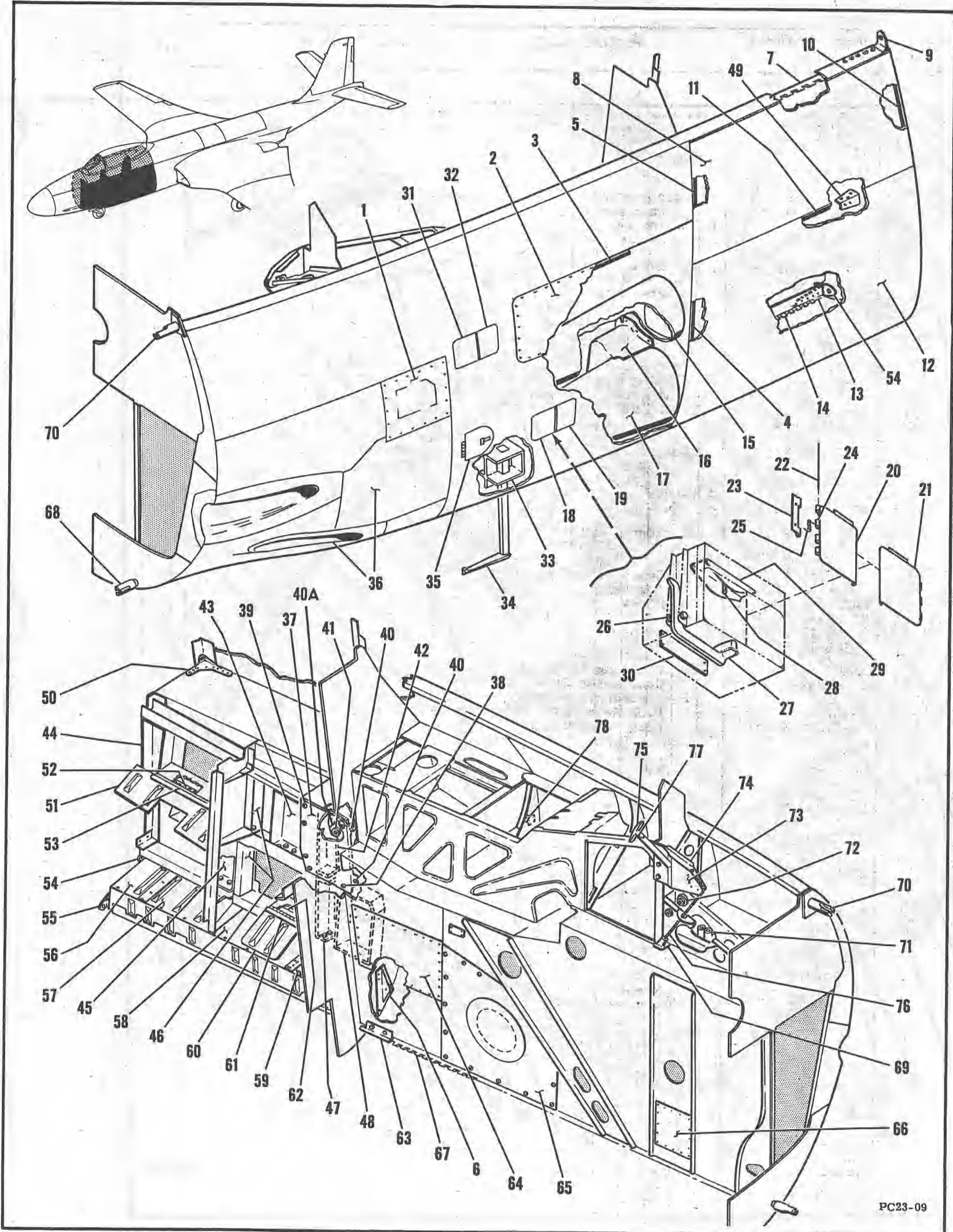


Figure 37 -- Forward Fuselage Left Side Panel Assembly

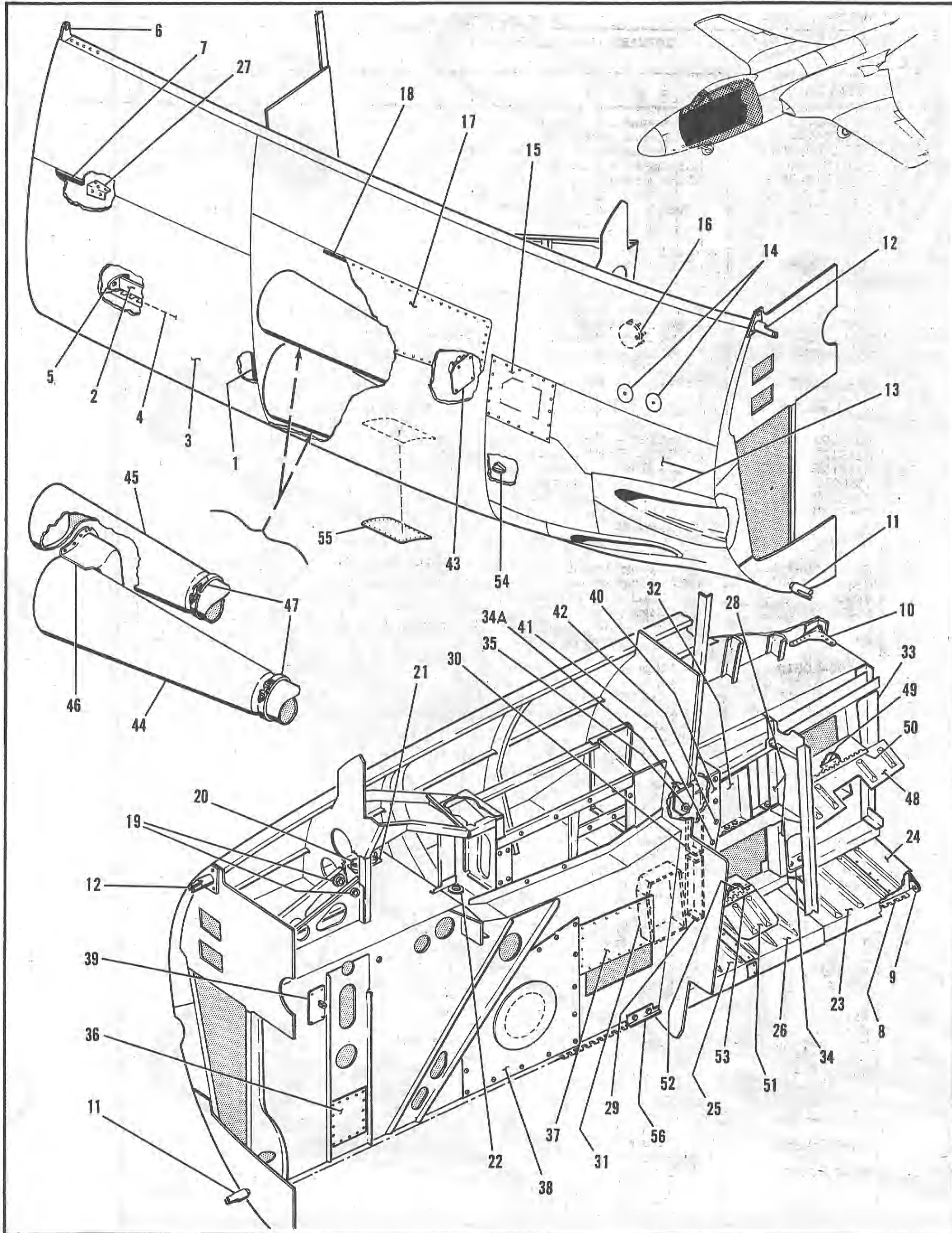
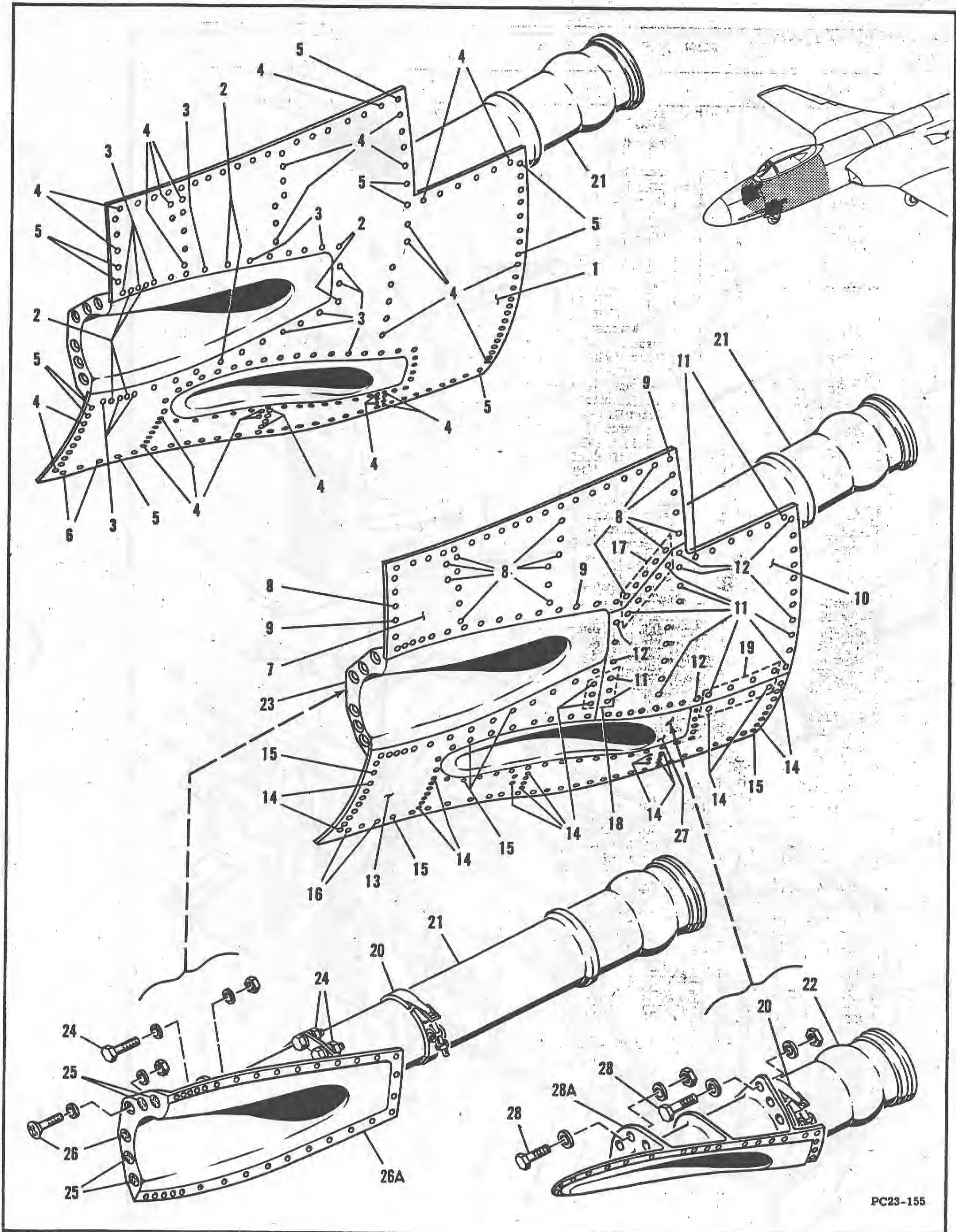
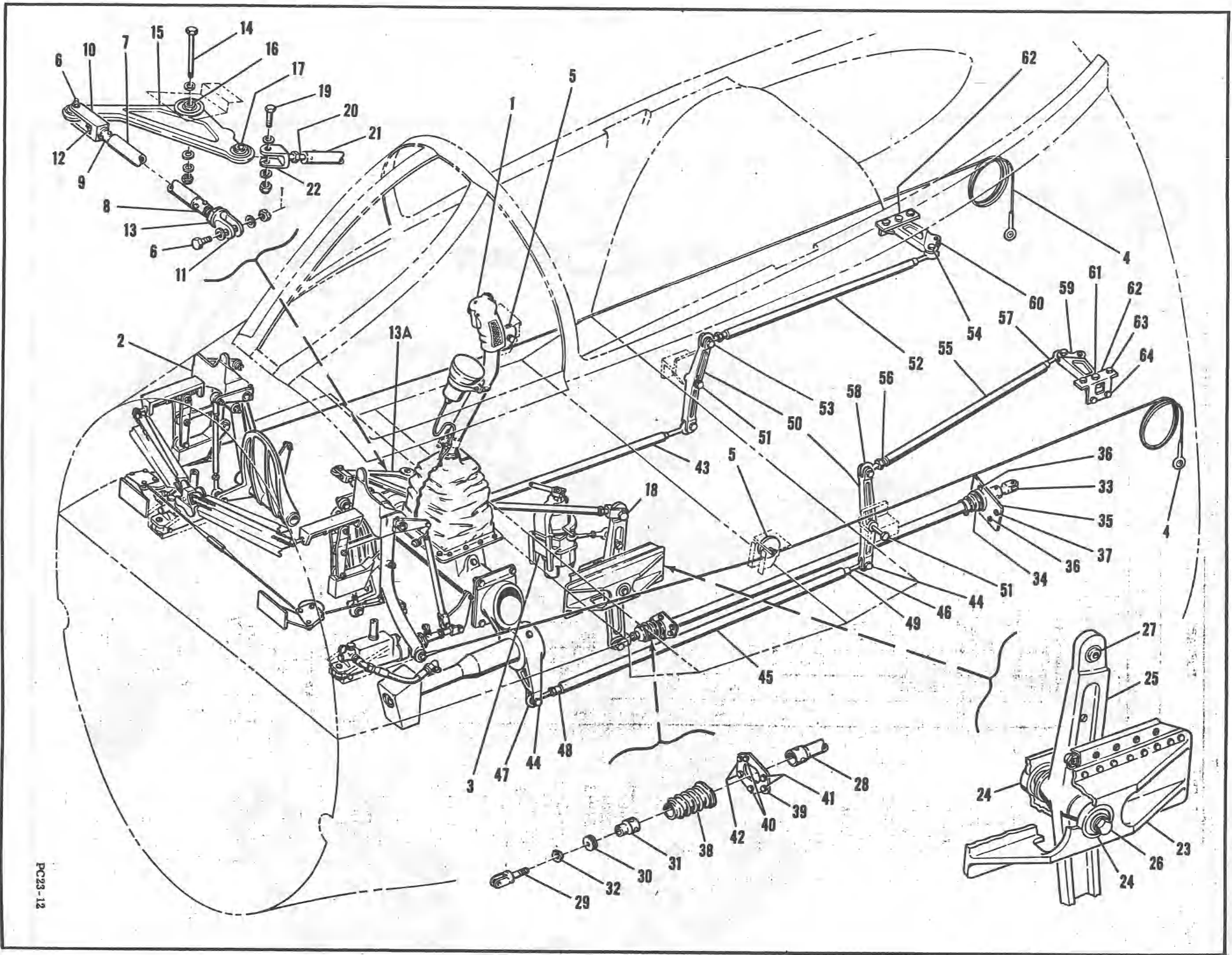


Figure 38 -- Forward Fuselage Right Side Panel Assembly



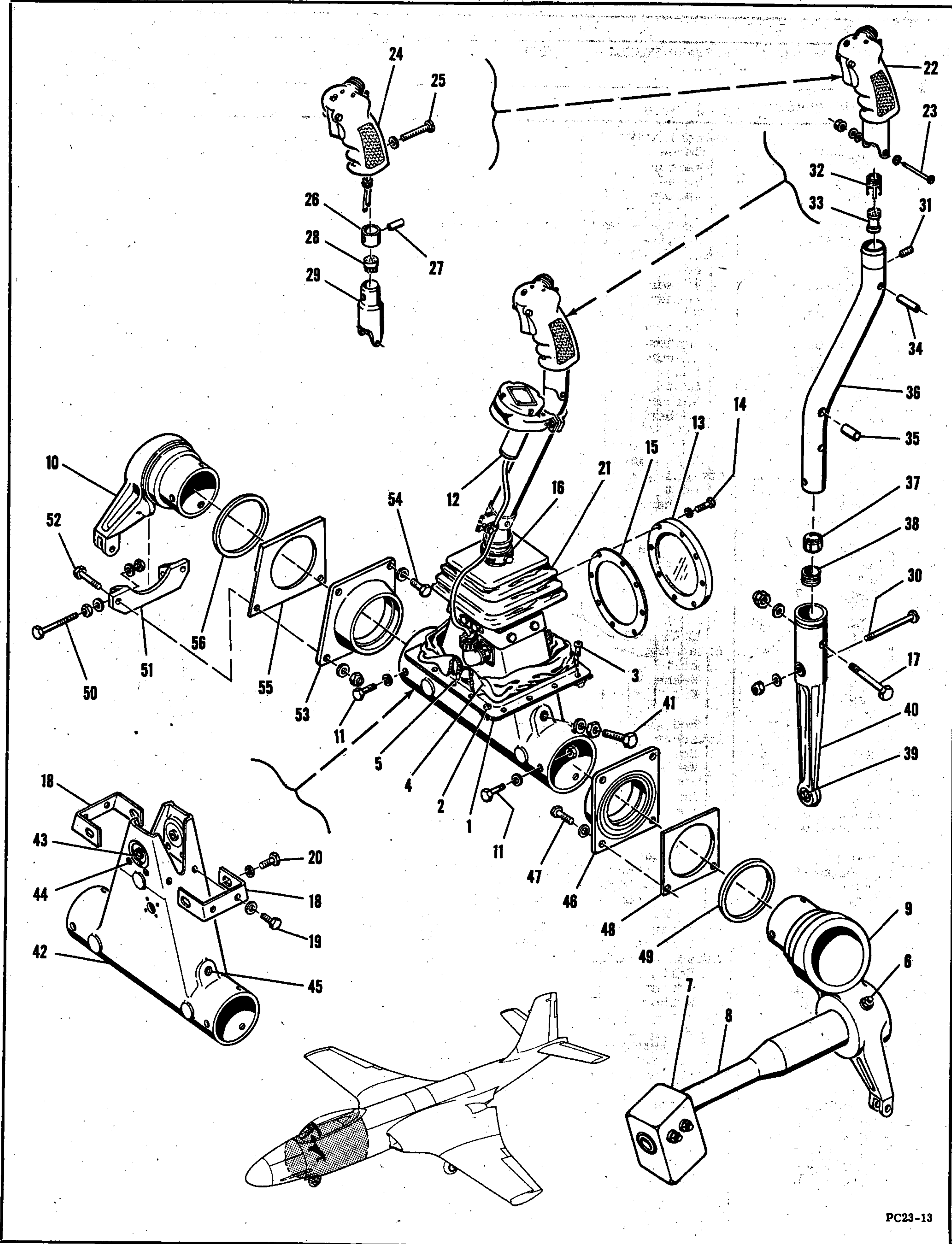
PC23-155

Figure 39 -- Gun Blast Tube Installation



PC23-12

Figure 41 -- Forward Fuselage Controls Installation



PC23-13

FIGURE 42 -- FORWARD FUSELAGE CONTROL STICK INSTALLATION

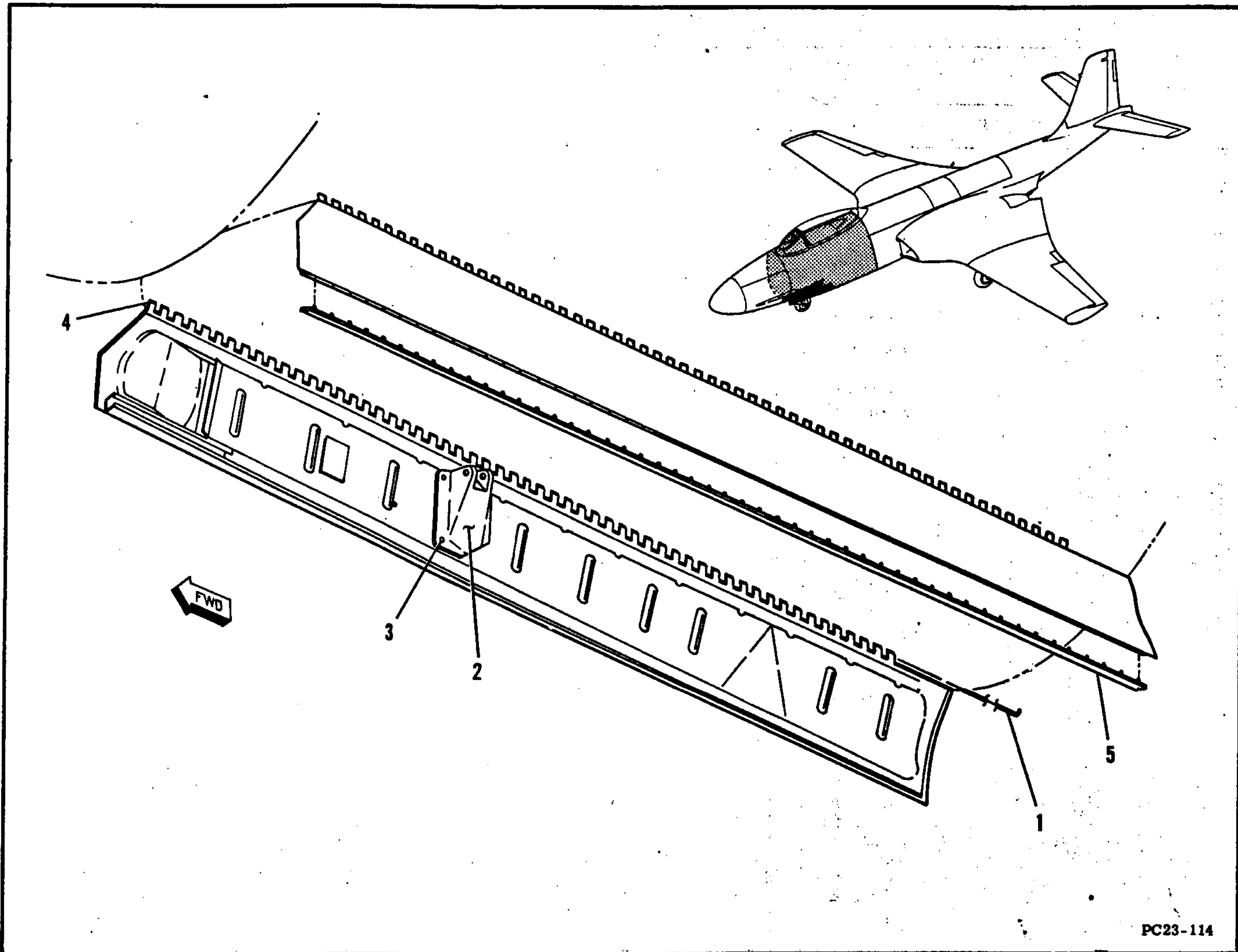


Figure 47 -- Nose Landing Gear Door Assembly

FIGURE & INDEX NUMBER	GROUP FORWARD FUSELAGE						UNITS PER ASS'Y	USABLE ON CODE		
	MAJOR ASSEMBLY NOSE LANDING GEAR DOOR ASSEMBLY									
	PART NUMBER	1	2	3	4	5			6	NOMENCLATURE
47-	23-46000-1							Door Assembly - Nose gear LH (Ref Fig. 33-7)	Ref	
	23-46000-2							Door Assembly - Nose gear RH (Ref Fig. 33-7)	Ref	
-1	23-46066-3							Pin - Nose landing gear door hinge	1	
	23-46070-3							Spacer - Nose landing gear door LH	2	
	23-46070-4							Spacer - Nose landing gear door RH	2	
	23-46071-3							Spacer - Nose landing gear door waffle right side only	1	
	23-46065-1							Bracket Assembly - Nose landing gear door LH	1	
-2	23-46065-6							Bracket Assembly - Nose landing gear door RH	1	
	AN509-416R23							Attaching Parts		
	AN509-516R23							Screw (left side only)	4	
-3								Screw (right side only)	3	
	4M34-4-13							Bushing (MDA)	2	
	23-46064-3							Hinge - Nose landing gear door half LH	1	
-4	23-46064-4							Hinge - Nose landing gear door half RH	1	
-5	23-46000-23							Seal (selected from 9M78B MDA) Left side only	1	a-b17
	23-46000-31							Seal (selected from 9M78B MDA) Left Side Only	1	b18-1
	23-46000-33							Seal (selected from 9M78B MDA) Left Side Only	1	b18-1 j-n

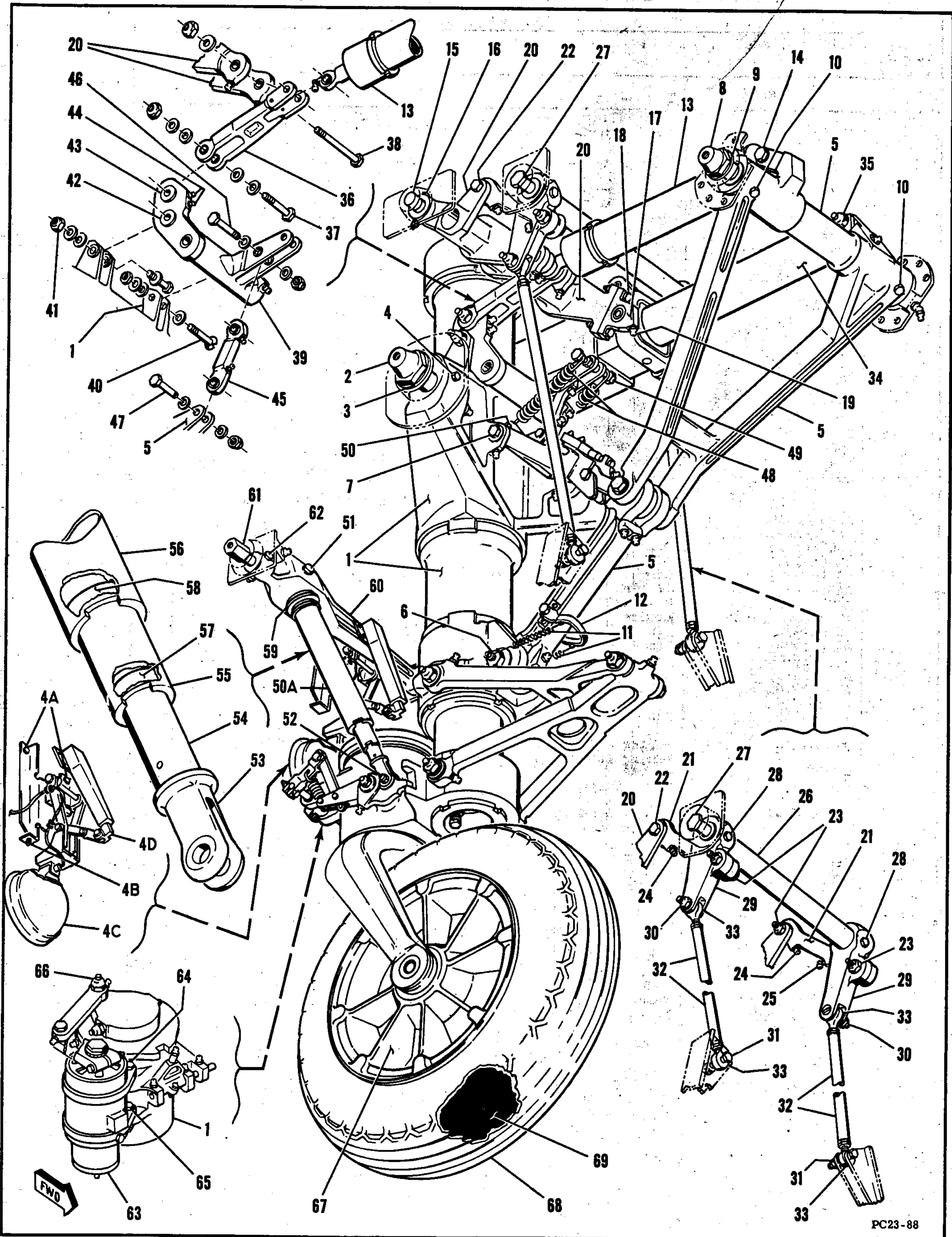
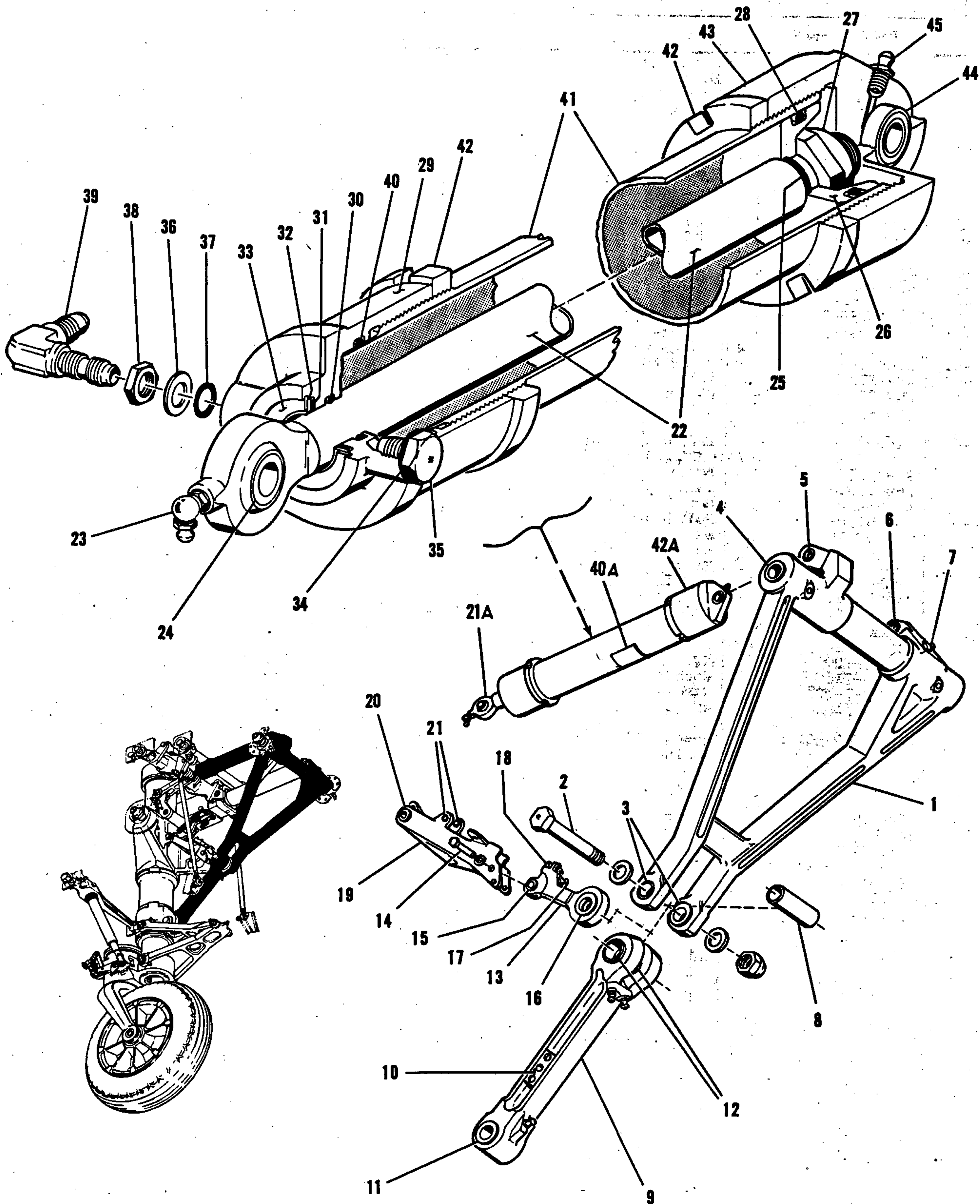
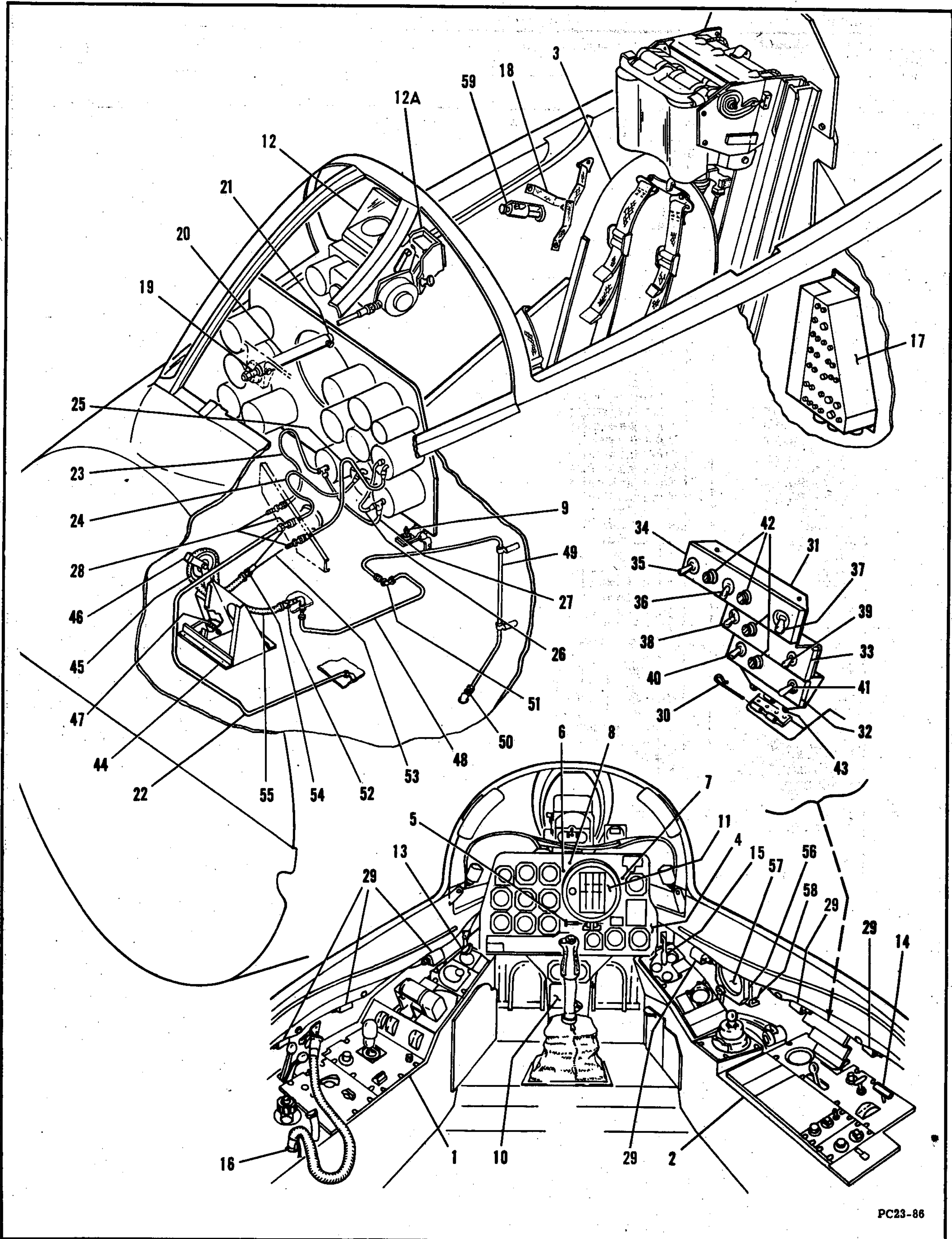


Figure 48 -- Nose Landing Gear Installation



PC23-124

Figure 49 -- Nose Landing Gear Drag Brace Link & Emergency Air Cylinder Assemblies



PC23-86

Figure 57 -- Cockpit Furnishings Installation

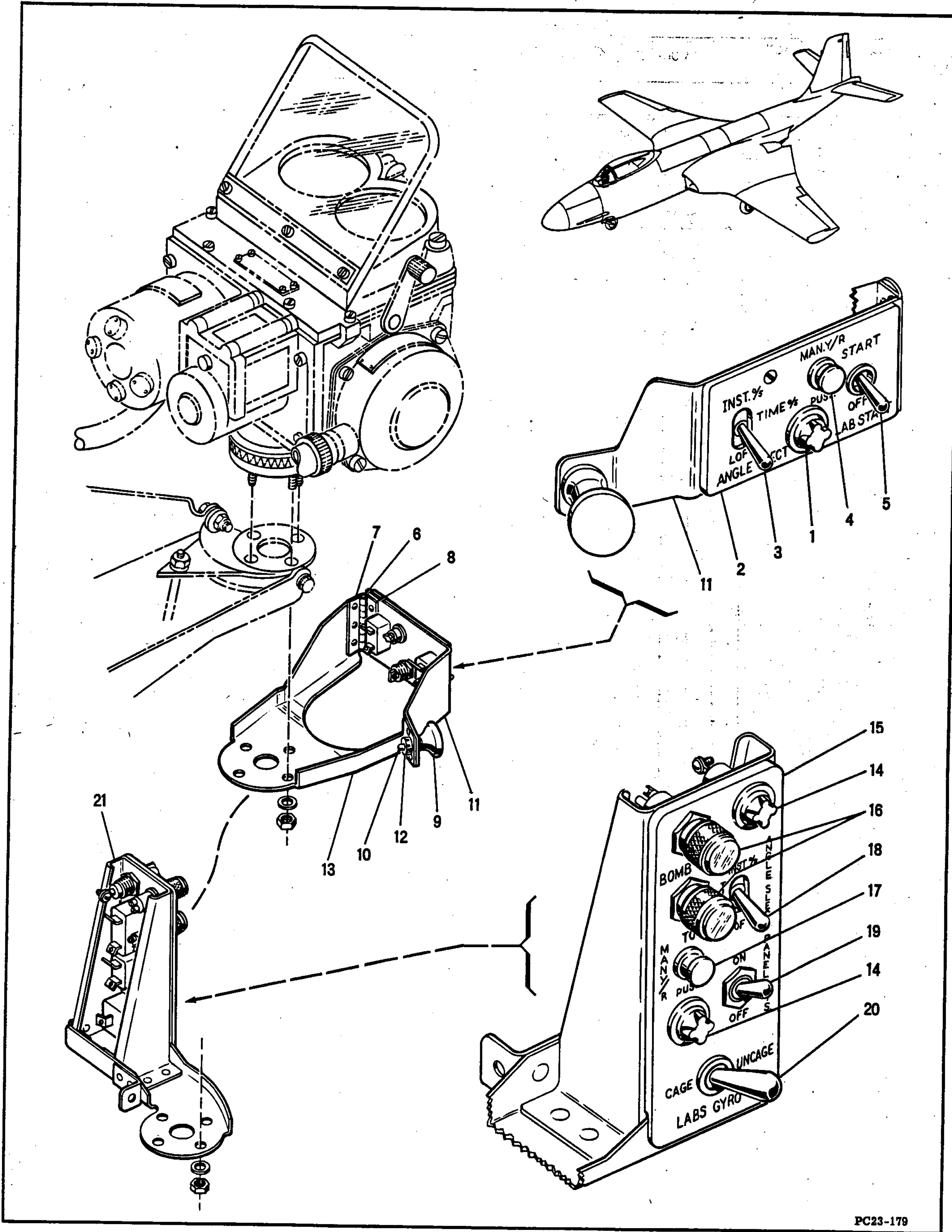
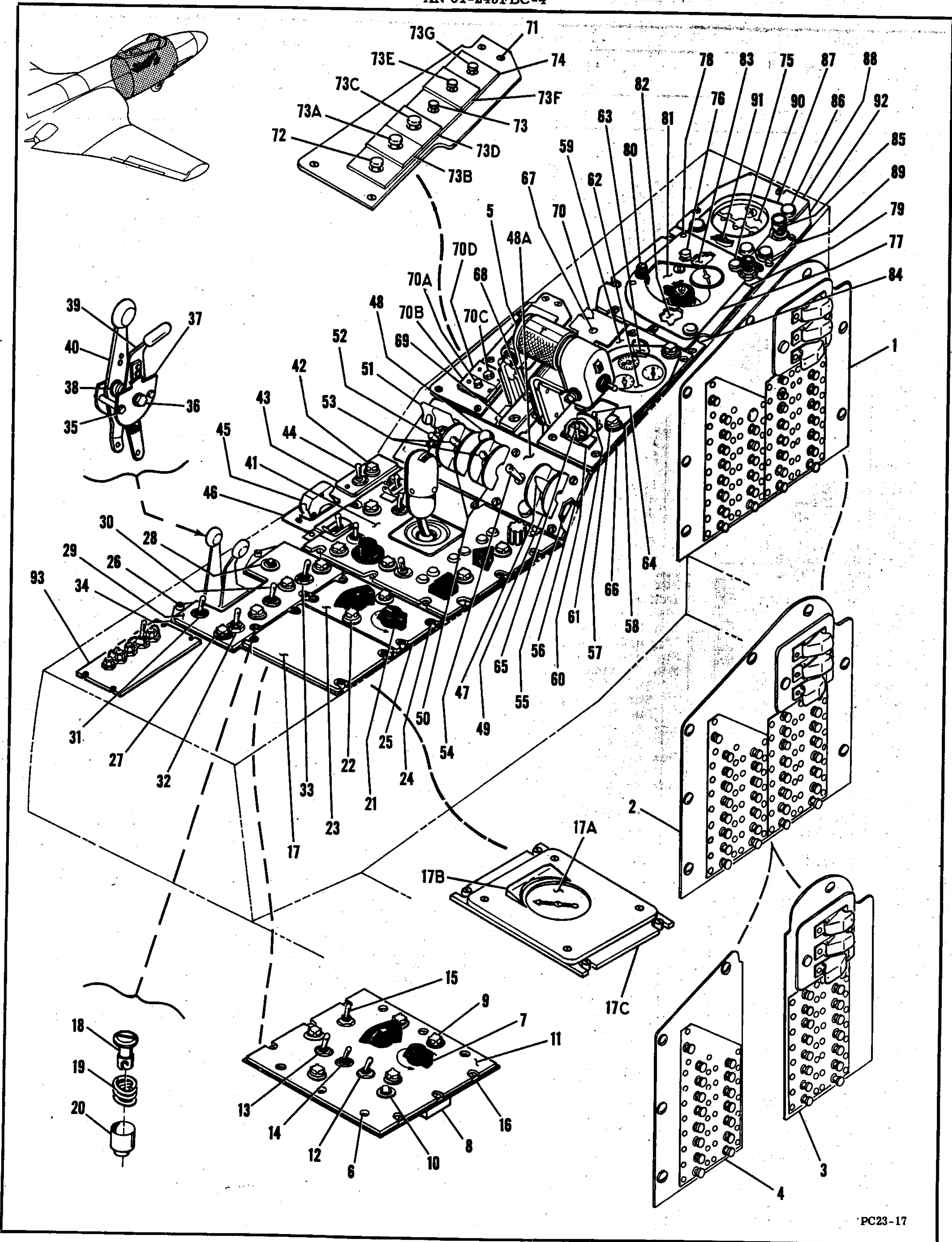


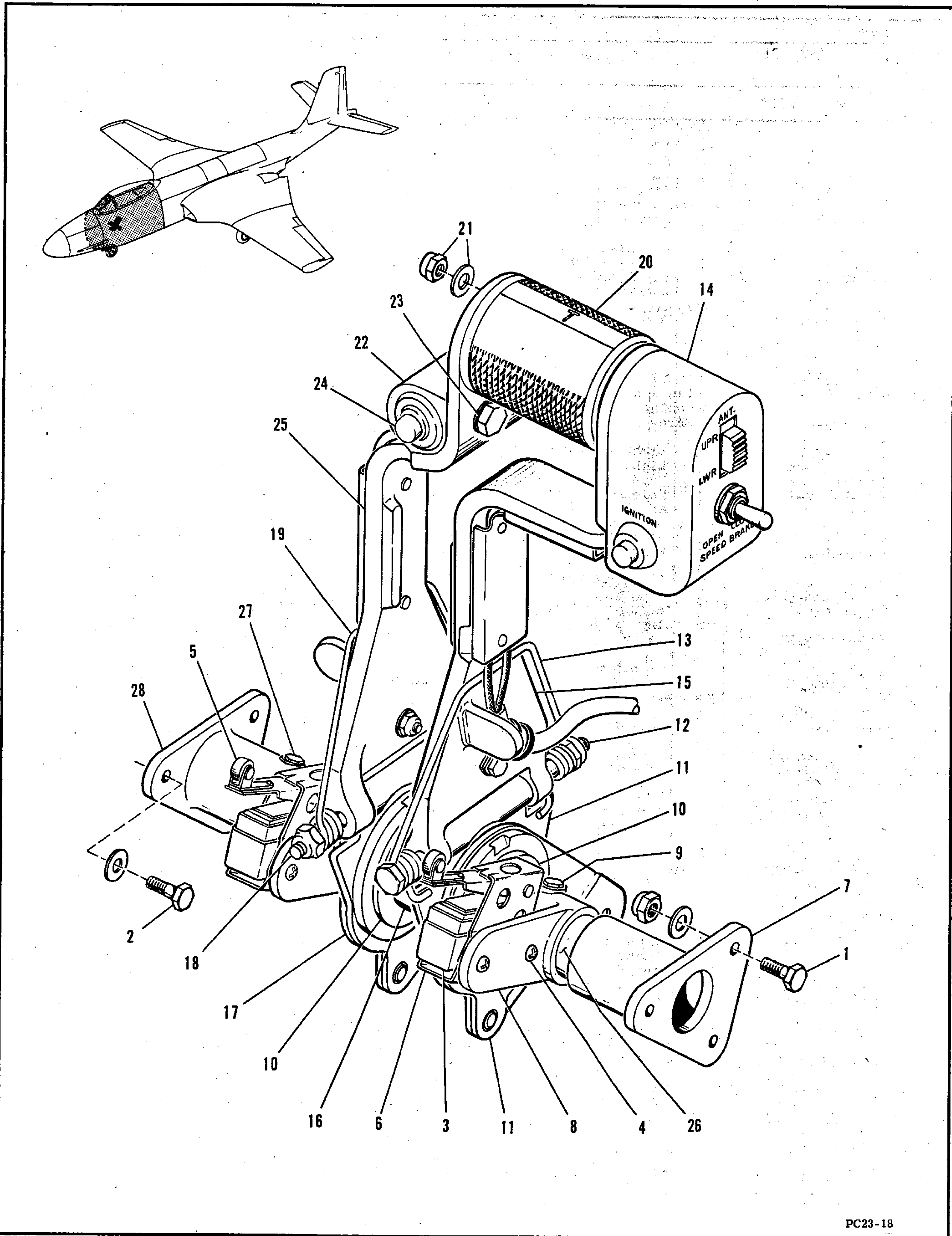
Figure 57A -- ASC Aero 18A Panel Assemblies

AN 01-245FBC-4



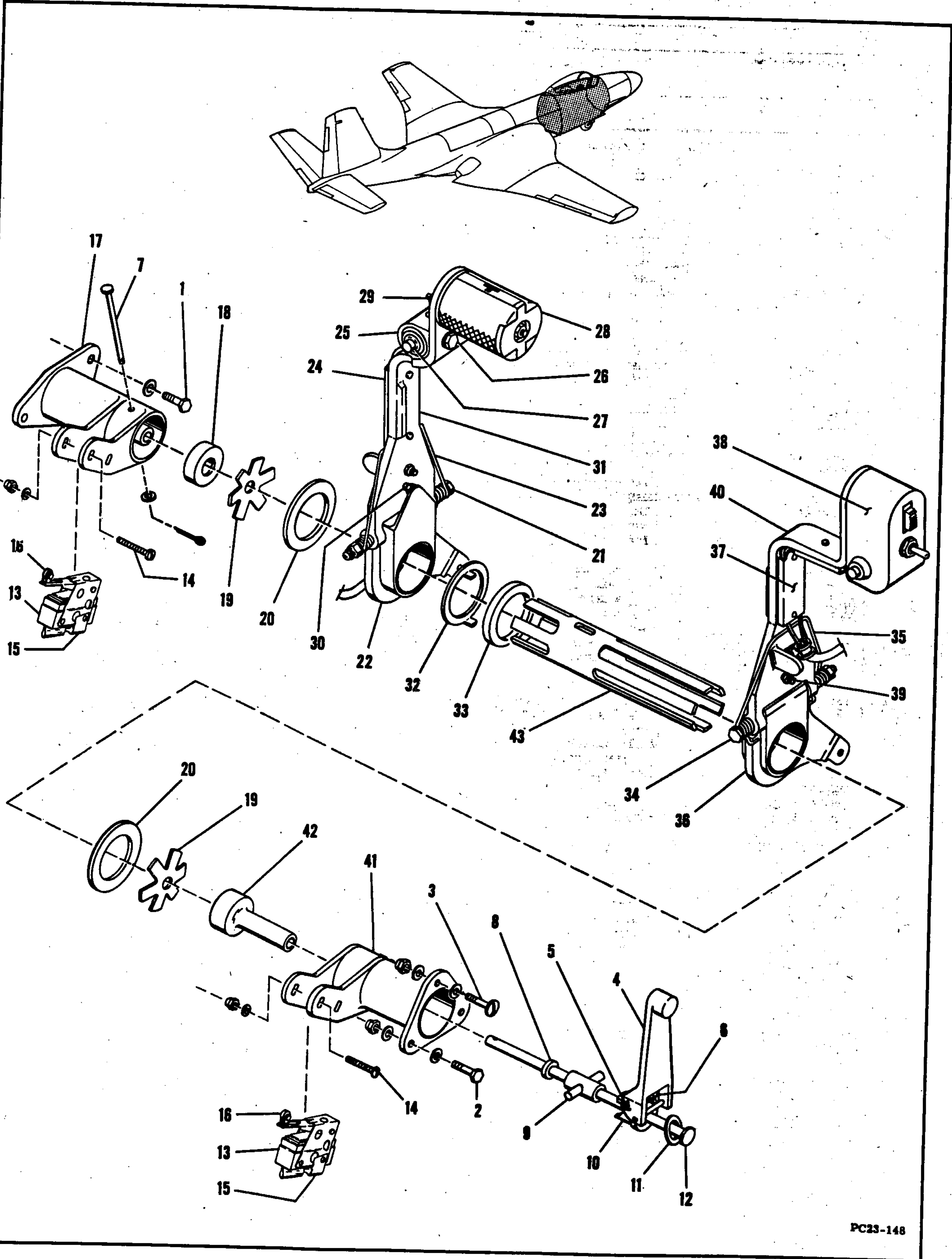
PC23-17

FIGURE 58 -- LEFT HAND CONSOLE INSTALLATION



PC23-18

Figure 59 - Engine Power Quadrant Installation



PC23-148

Figure 60 -- Engine Power Quadrant Installation

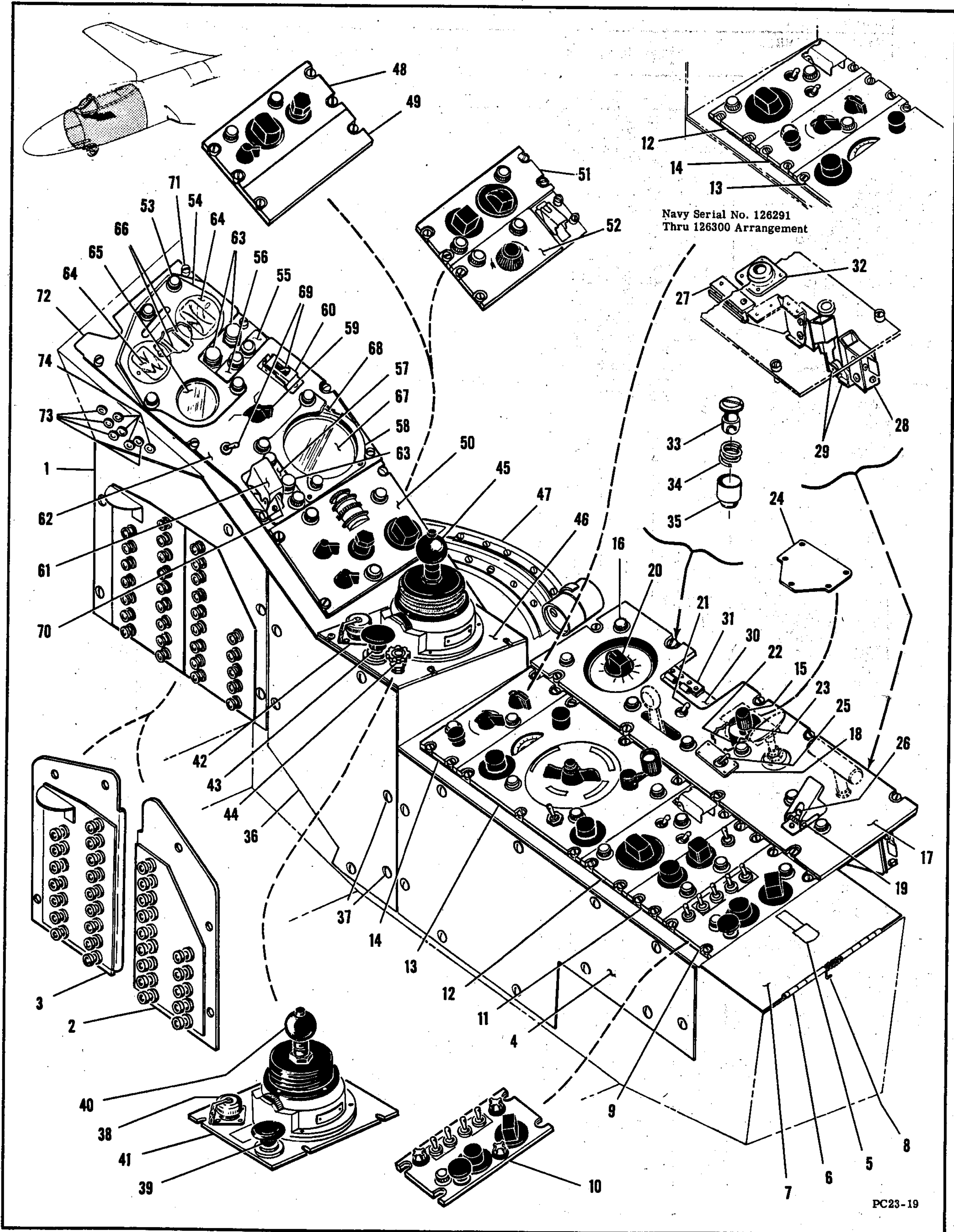


Figure 62 -- (Sheet 1 of 2 Sheets) Right Hand Console Installation

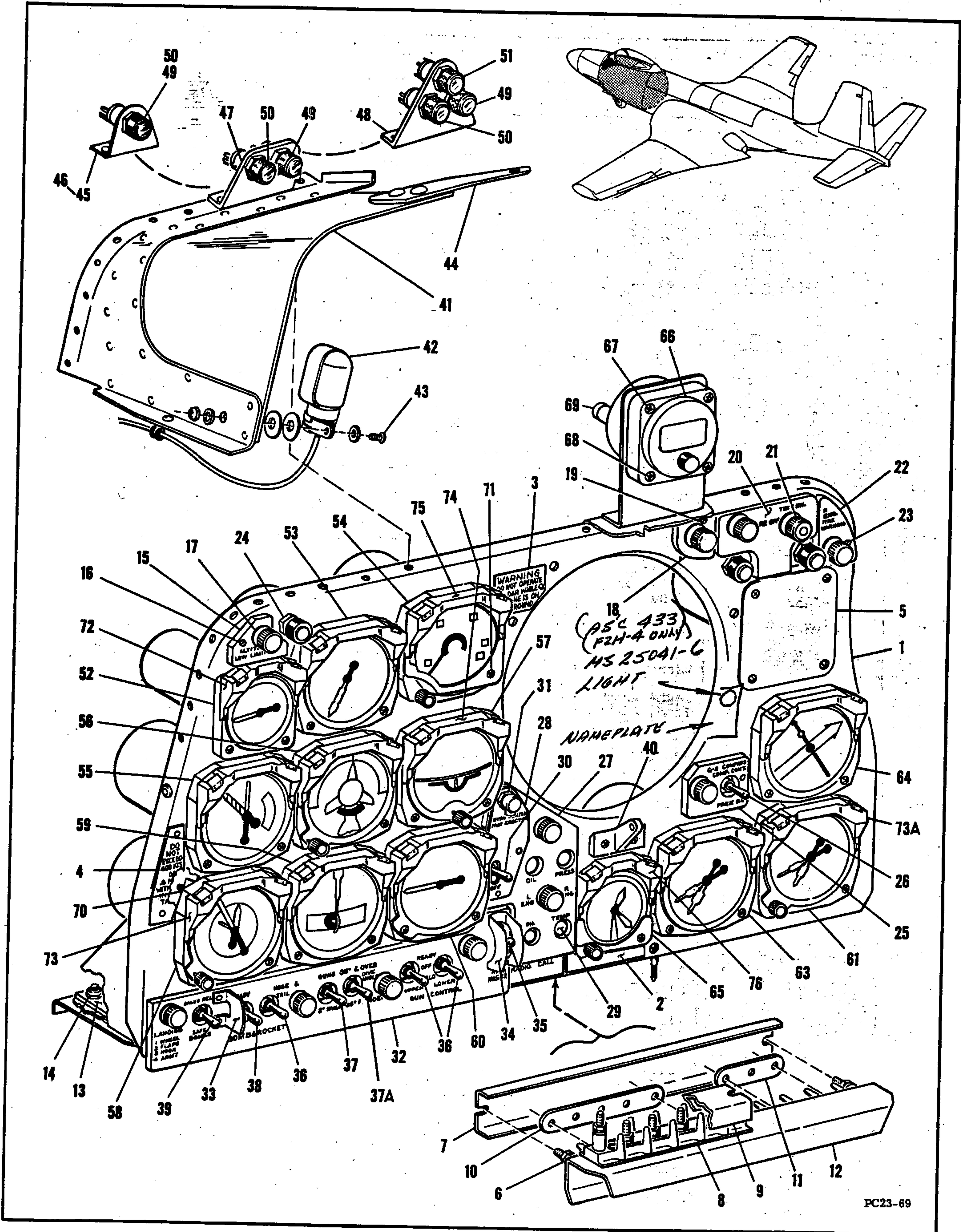
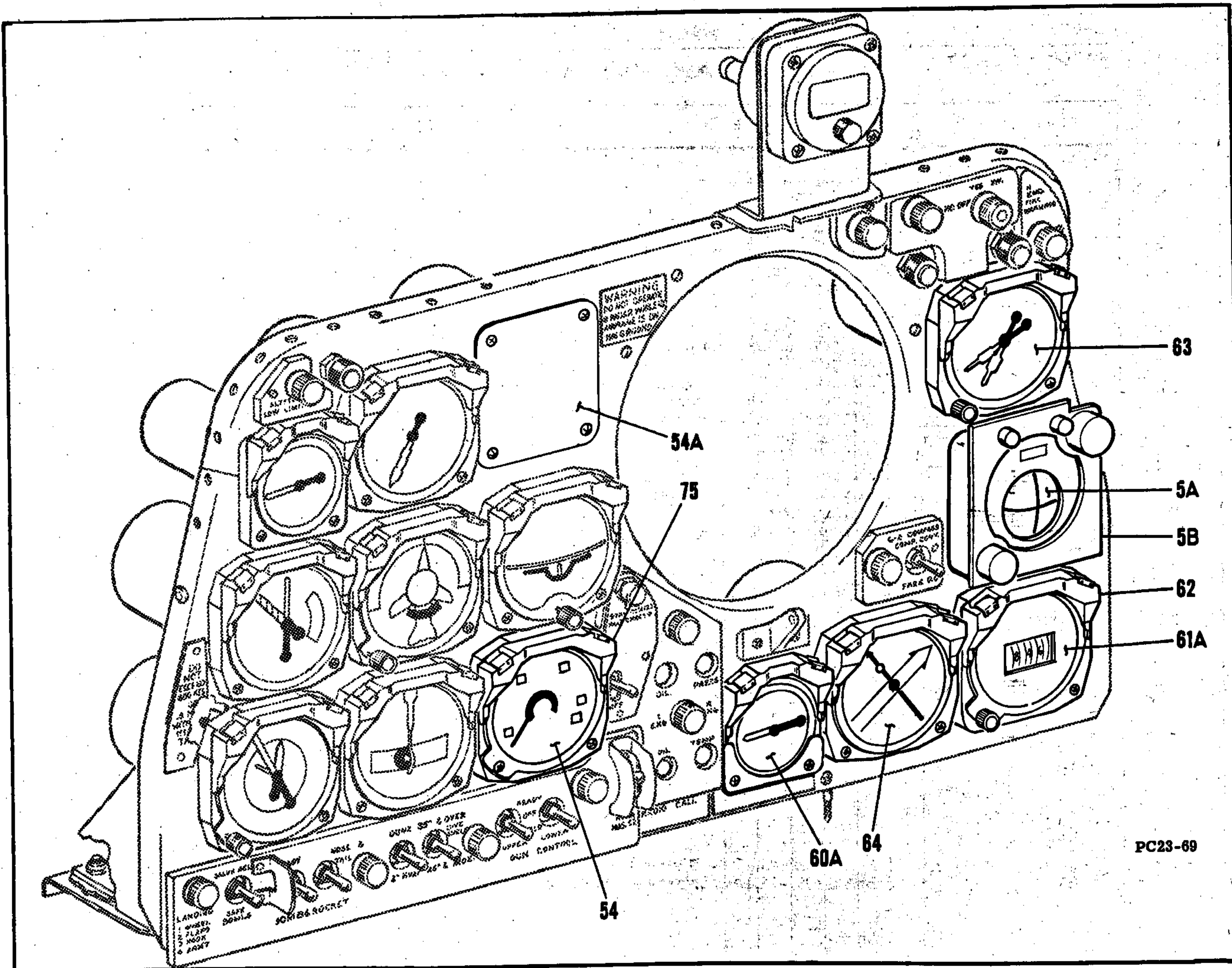


Figure 64 -- (Sheet 1 of 2 Sheets) Main Instrument Panel Assembly



PC23-69

Figure 64 -- (Sheet 2 of 2 Sheets) Main Instrument Panel Assembly

FIGURE & INDEX NUMBER	GROUP FORWARD FUSELAGE						UNITS PER ASS'Y	USABLE ON CODE			
	MAJOR ASSEMBLY MAIN INSTRUMENT PANEL ASSEMBLY (CONT)										
	PART NUMBER	1	2	3	4	5				6	NOMENCLATURE
64-27	23-60061-1	23						Panel Assembly - Oil pressure and temperature (for future procurement use 23-60061-301)	1	a-f	j-k
	23-60061-301	2						Panel Assembly - Oil pressure and temperature (use for future procurement to replace 23-60061-1)	1		
-28	23-89070-3	4						Nameplate - Gyro horizon	1		
	AN535-00-3	4						Attaching Parts Screw	2		
-29	8DJ51AAE3							Indicator (GE) (oil pressure & temperature)	4	a-f30	j
	8DJ51AAE3A							Indicator (GE) (oil pressure & temperature)	4	f31-1	k-n
-30	AN3021-2	4						Switch (gyro horizon)	1		
-31	AN3029-7	4						Light Assembly	2		
-32	23-60062-1	5						Panel Assembly - Armament	1	a	
	23-60102-1	5						Panel Assembly - Armament	1	b	
	23-60102-301	5						Panel Assembly - Armament	1	c-f	j-k
	<p>2 Must be modified by Contractor's Service Bulletin 23SB70 (ASC 294A) before installation on any aircraft on which Contractor's Service Bulletin 23SB70 (ASC 294) has been incorporated.</p> <p>3 Must be modified by Contractor's Service Bulletin 23SB32 (ASC 262) before installation on any aircraft on which Contractor's Service Bulletin 23SB32 (ASC 262) has been incorporated.</p> <p>4 Removed from any aircraft on which Contractor's Service Bulletin 23SB70 (ASC 294A) has been incorporated.</p> <p>5 Removed from any aircraft as coded on which Contractor's Service Bulletin 23SB32 (ASC 262) has been incorporated.</p>										

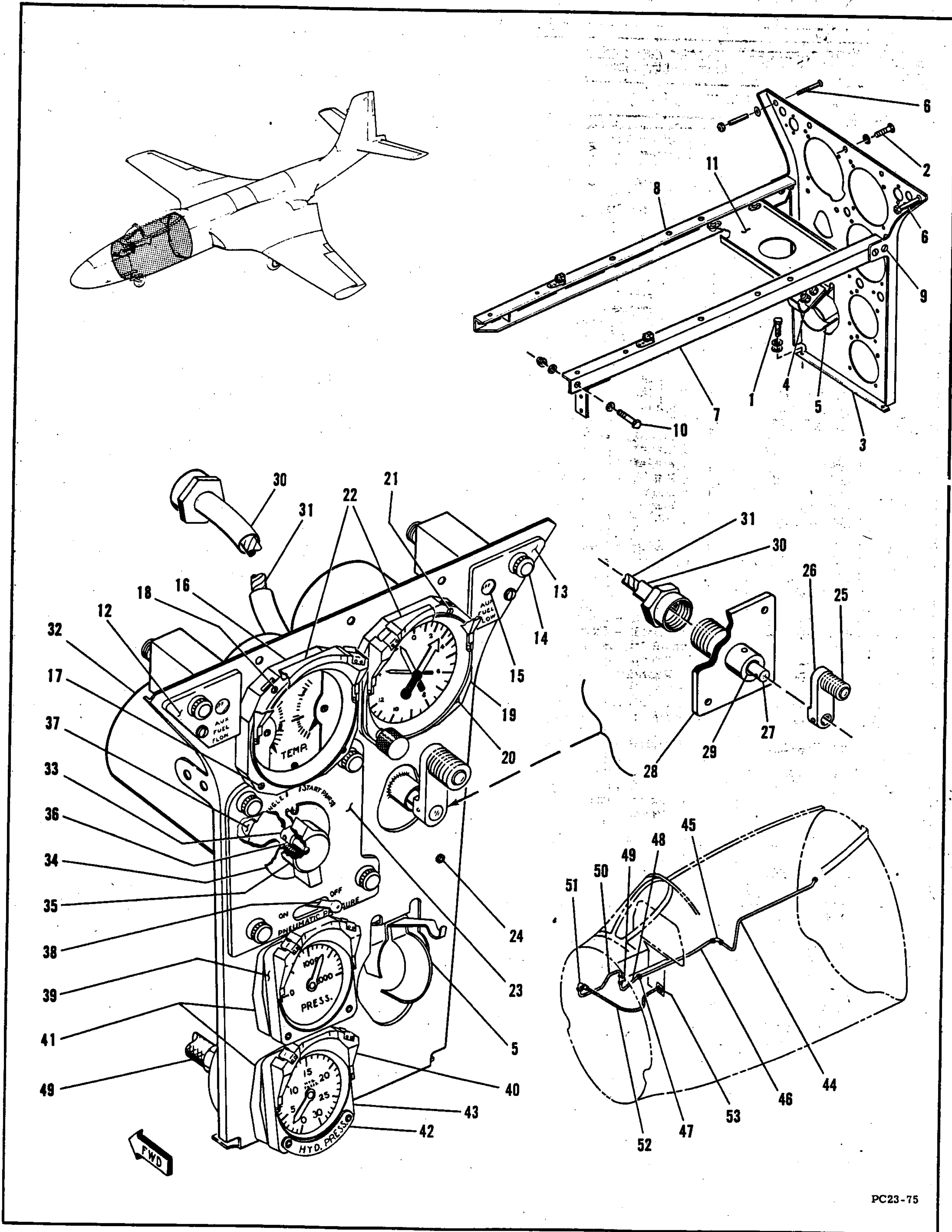


Figure 65 -- Instrument Pedestal & Hydraulic Pressure Gage Piping Installations

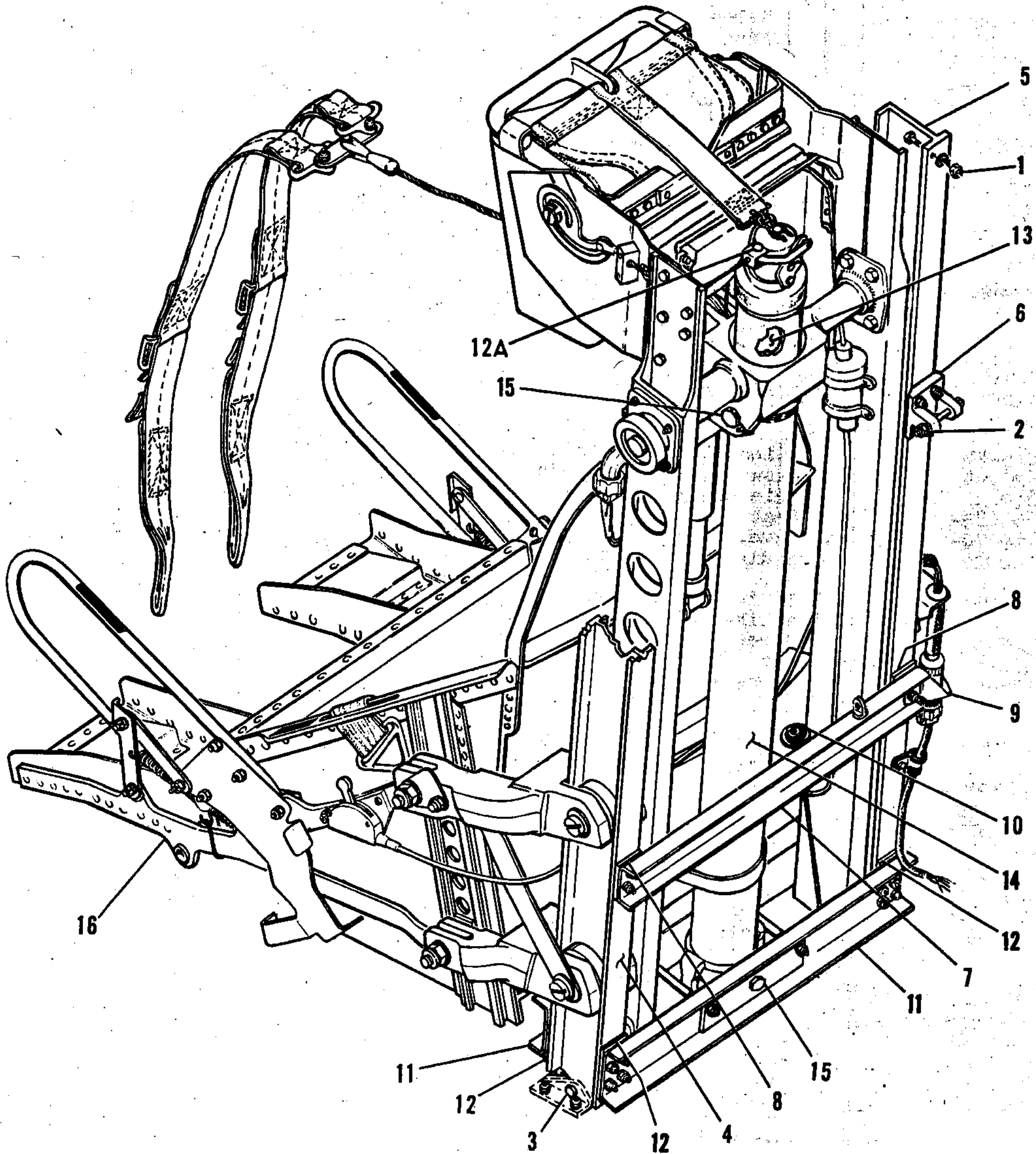
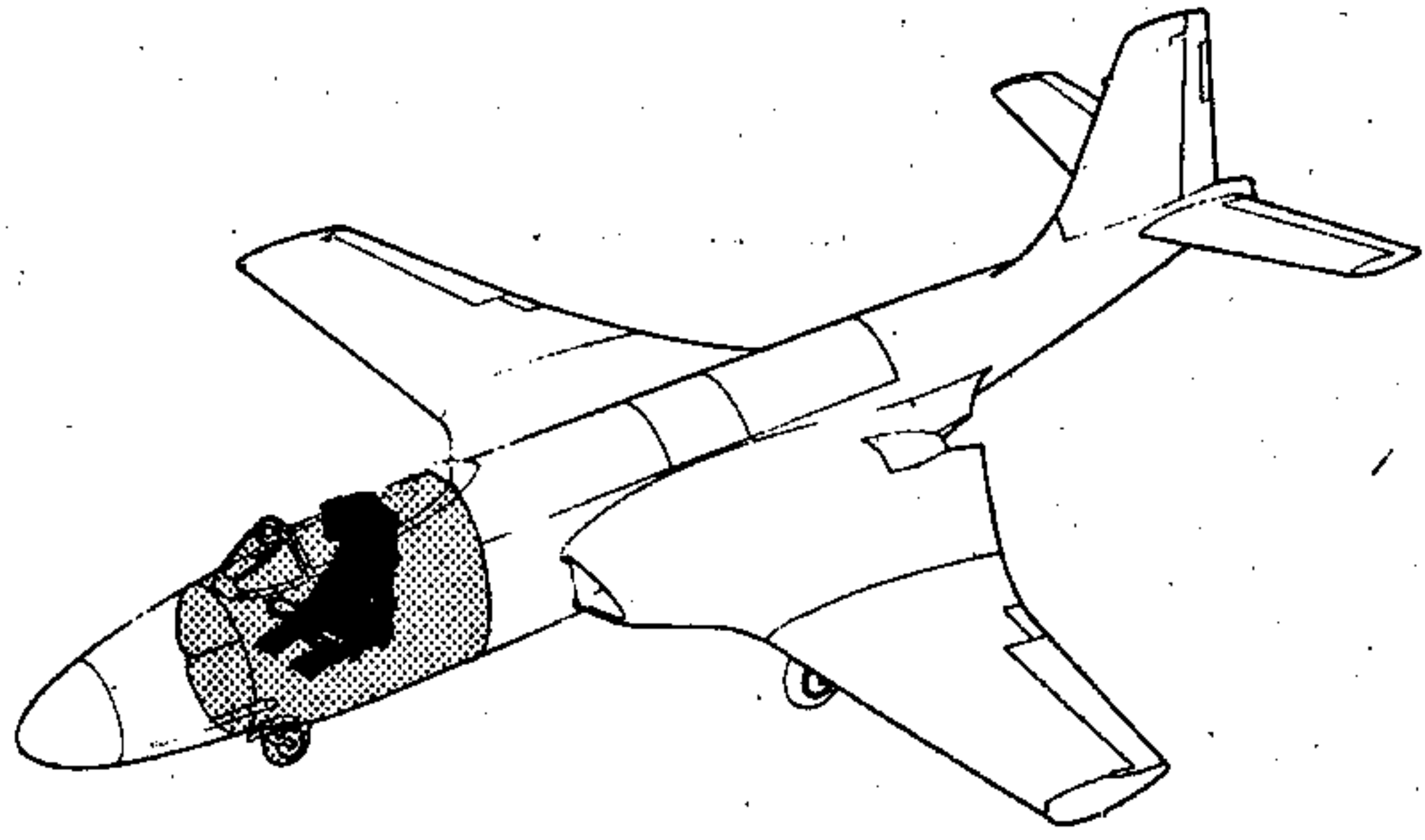
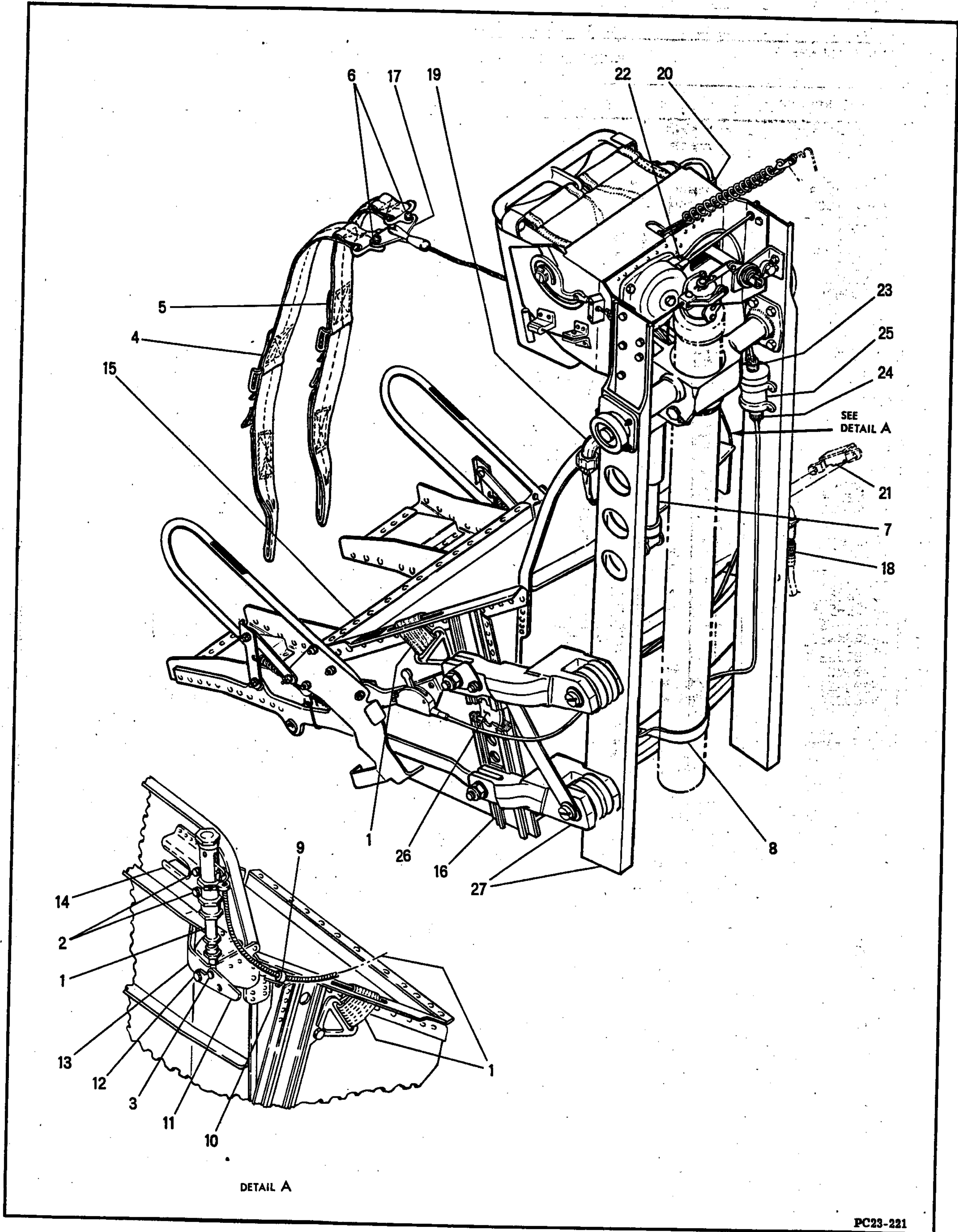


Figure 66 -- Ejection Seat Installation

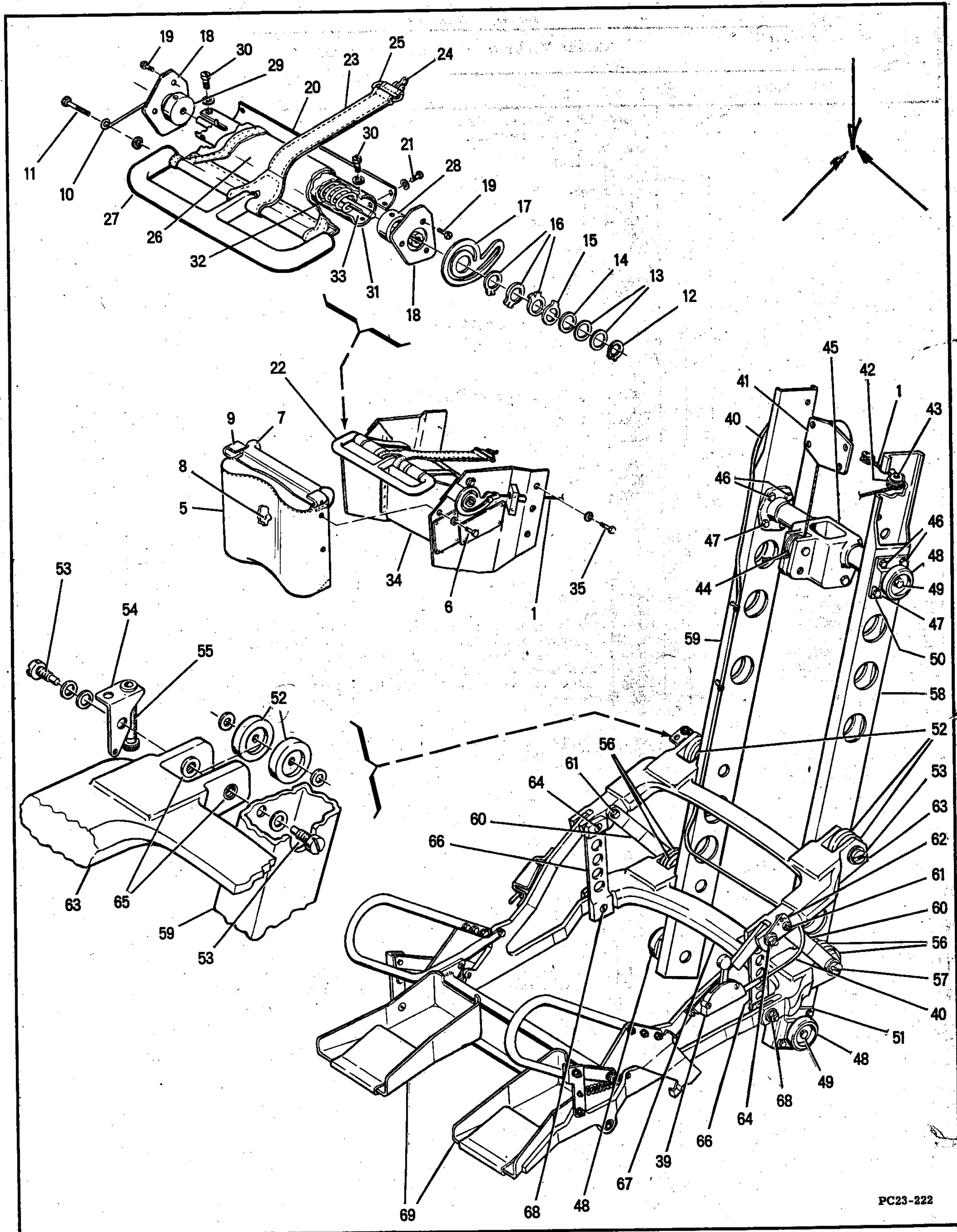


DETAIL A

PC23-221

Figure 66A -- Ejection Seat Assembly

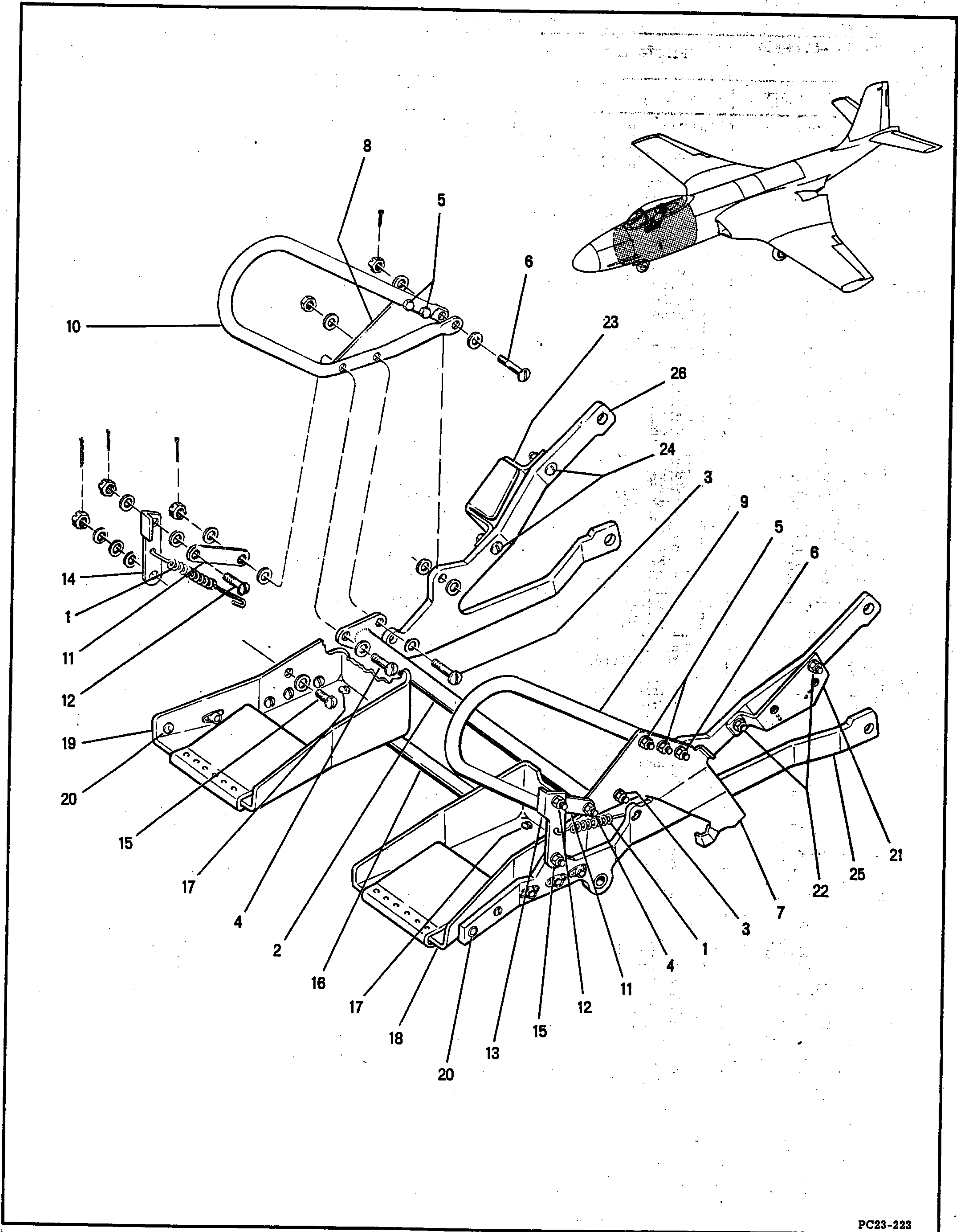
AN 01-245FBC-4



PC23-222

Figure 66B -- (Sheet 2 of 2 Sheets) Pilot's Ejection Seat Frame Assembly

Revised 1 February 1958



PC23-223

Figure 66C -- Pilots Ejection Seat Stirrup & Leg Brace Assembly

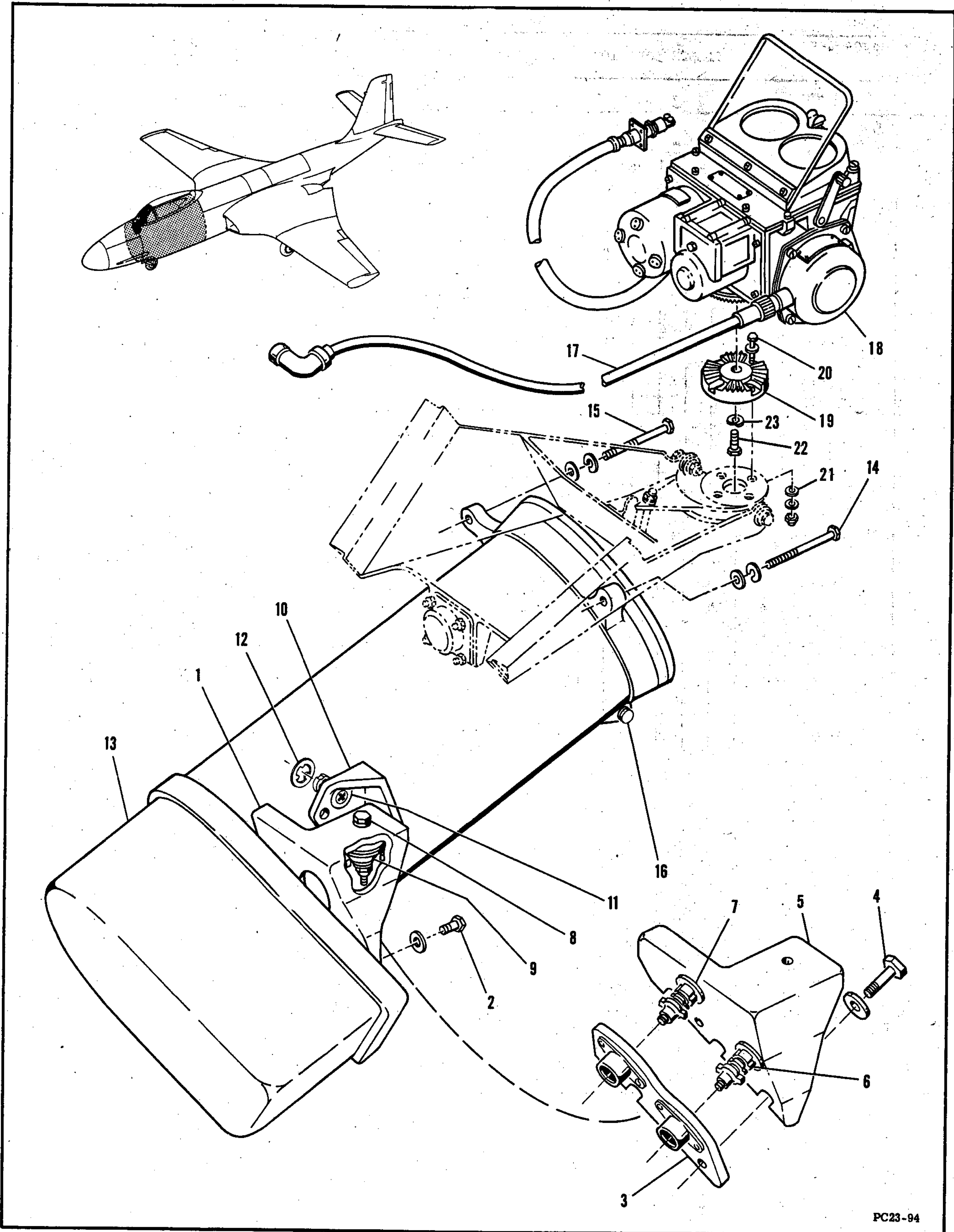
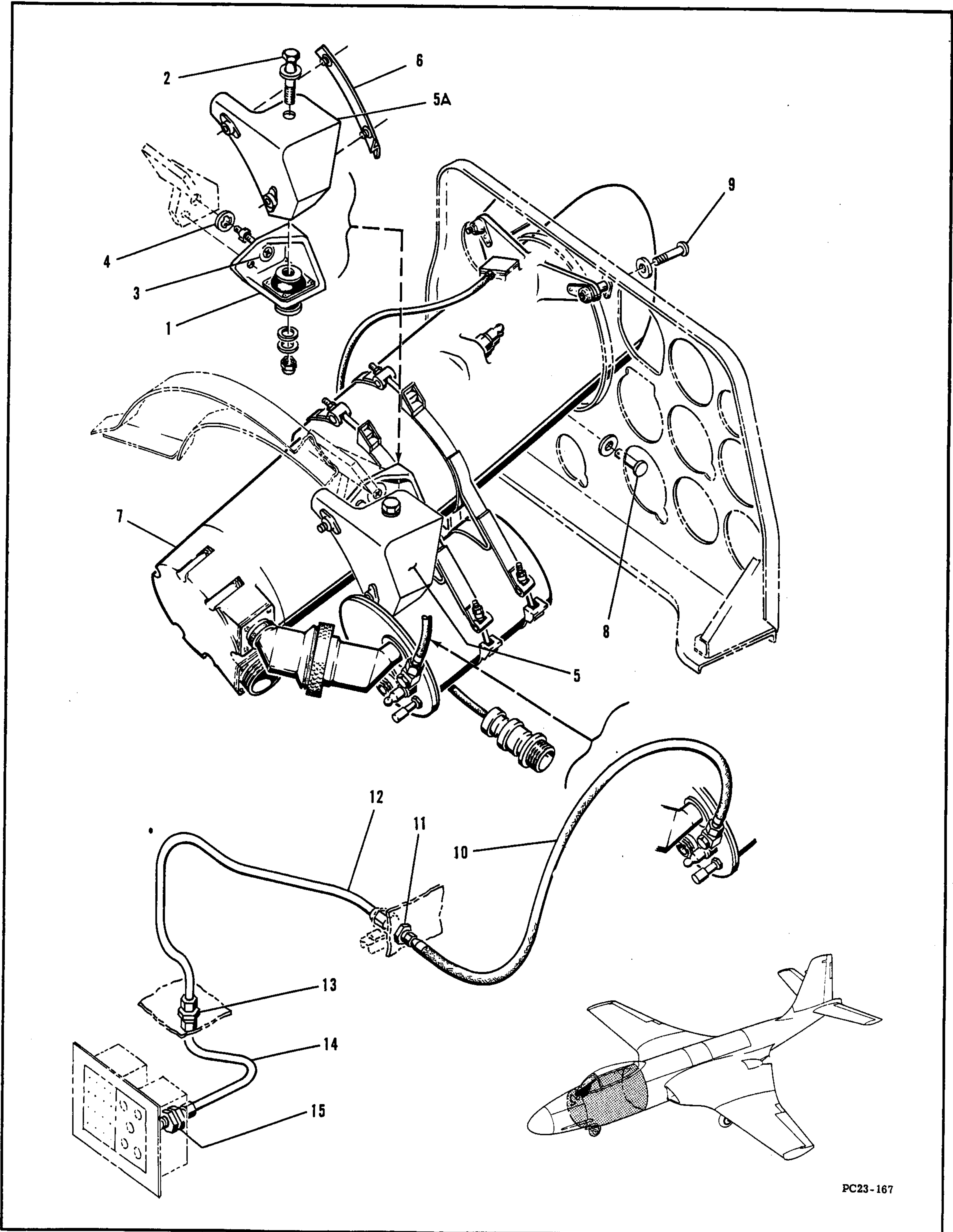


Figure 67 -- Radar Flight Indicator & Gun Sight Installations F2H-3



PC23-167

Figure 68 -- Radar Flight Indicator and Pressurization Lines Installations - F2H-4

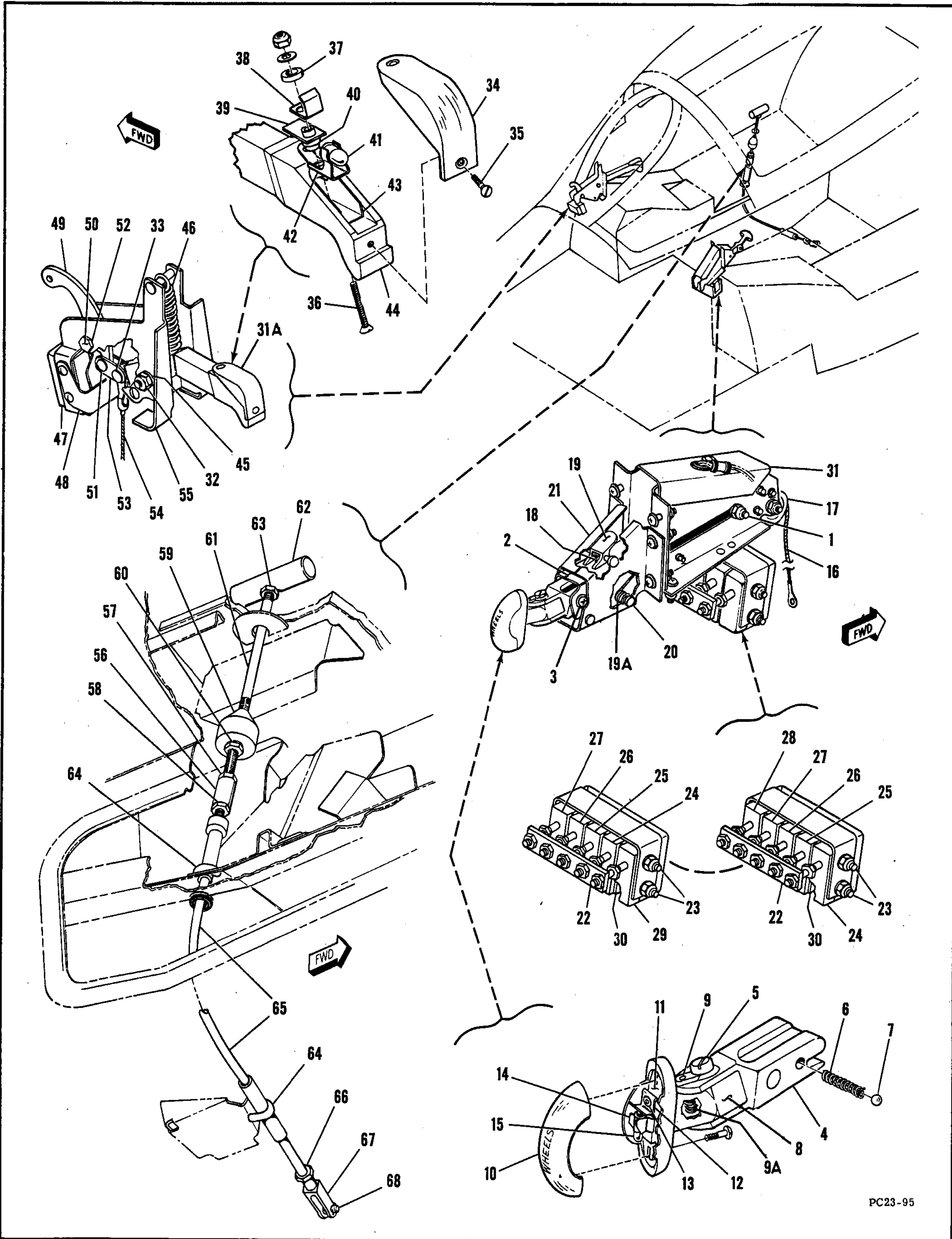
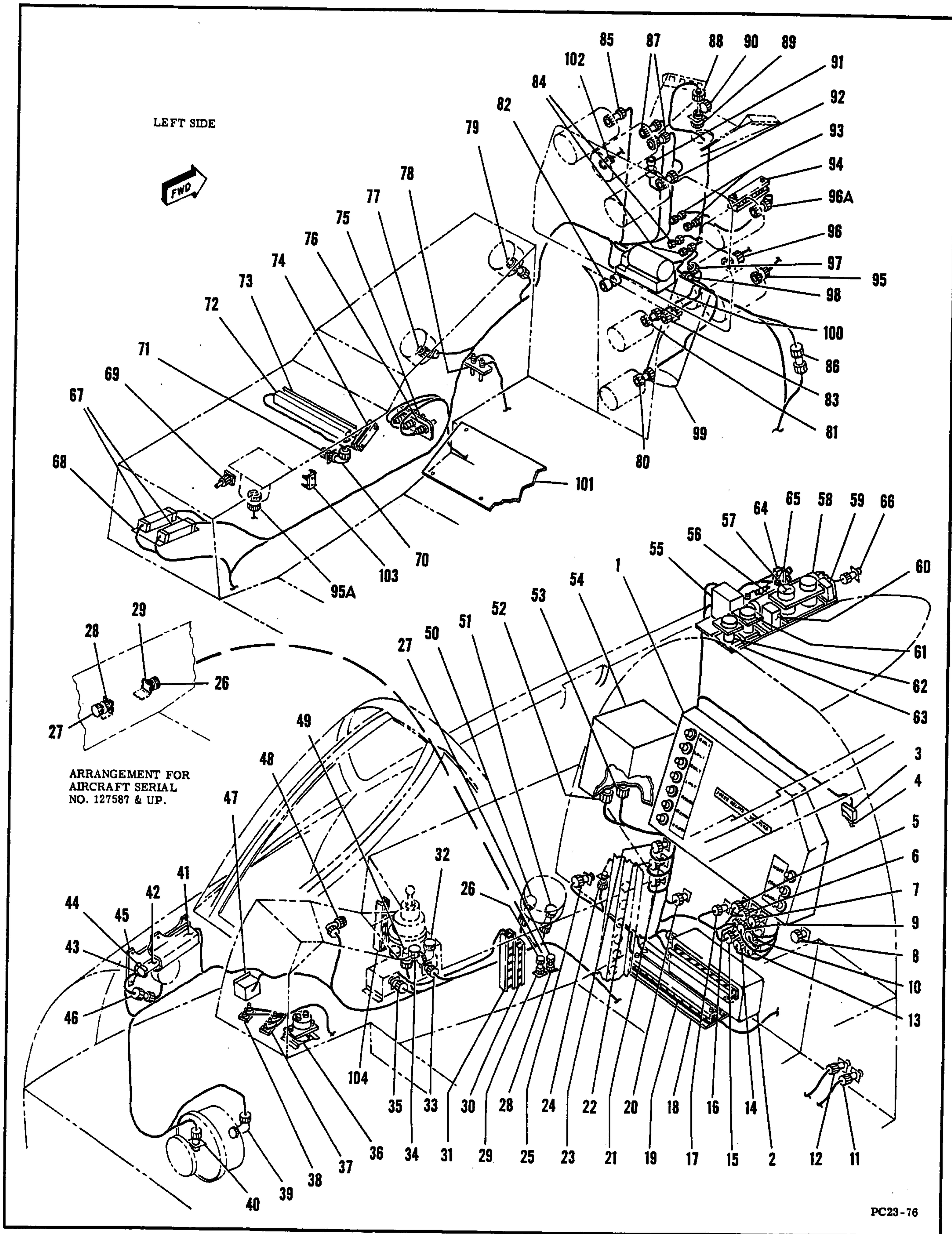


Figure 69 -- Landing Gear, Arresting Gear & Wing Pin Lock Control Handle Installations



PC23-76

Figure 71 -- Cockpit Electrical Installation

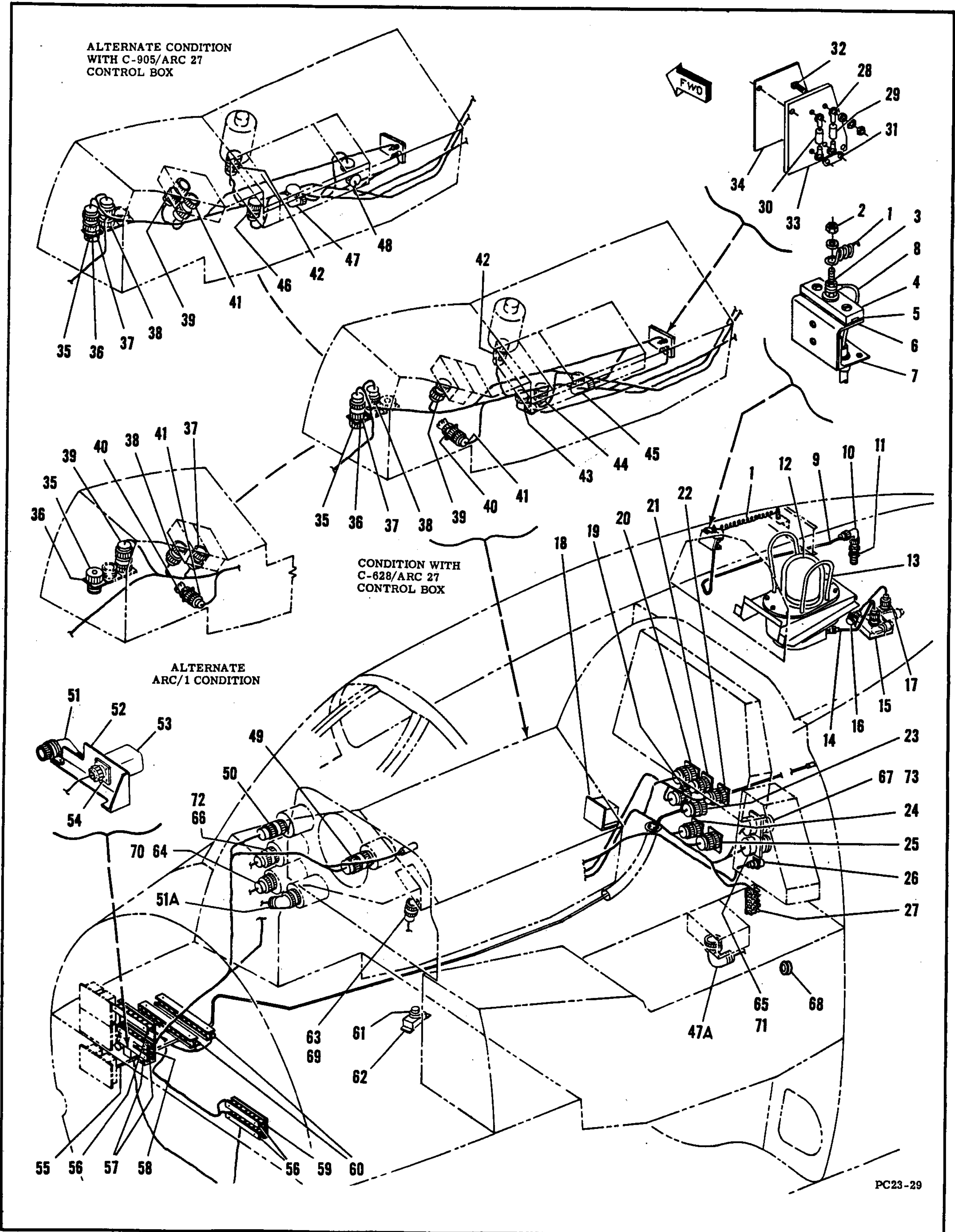


Figure 73 -- Forward Fuselage Radio Installation

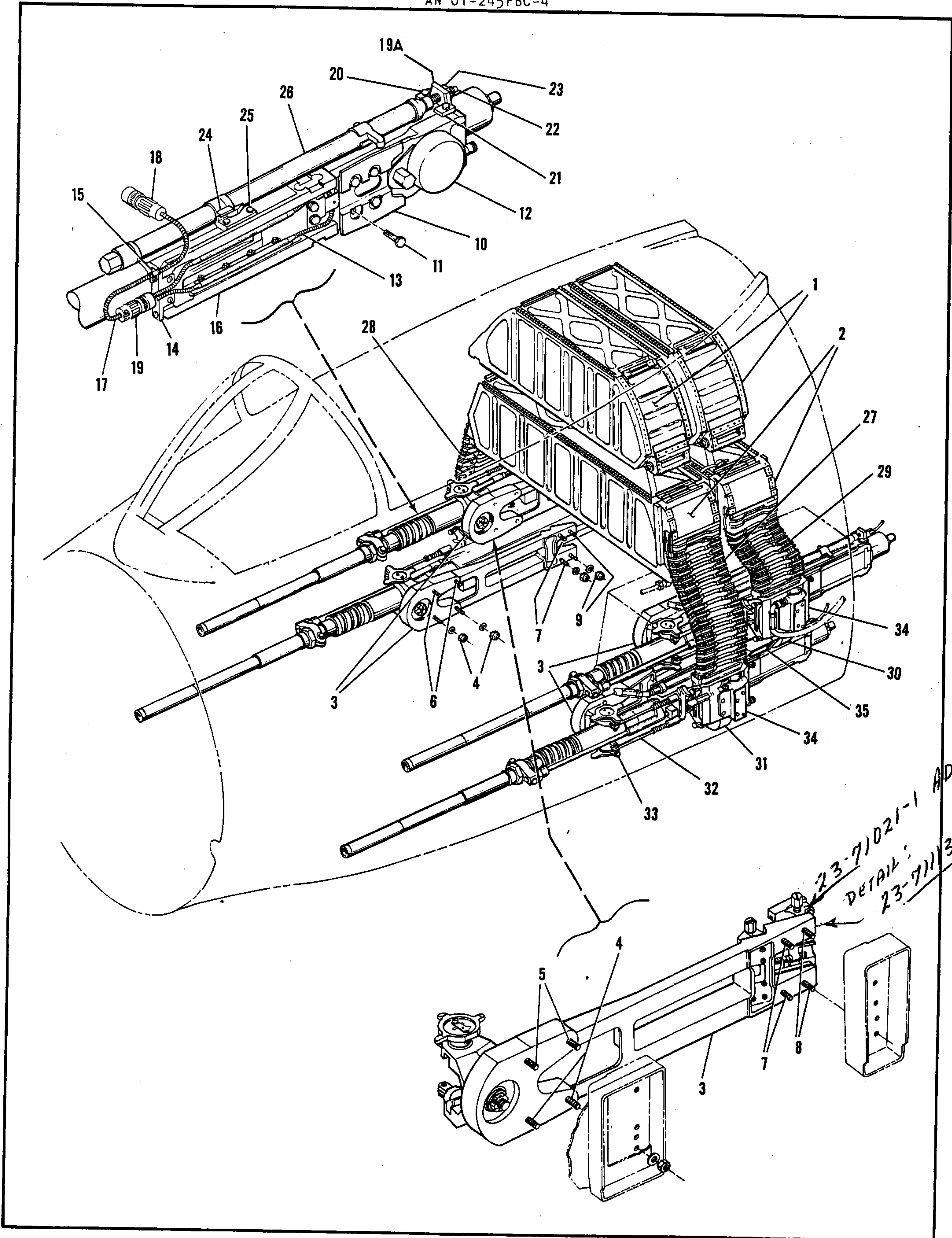
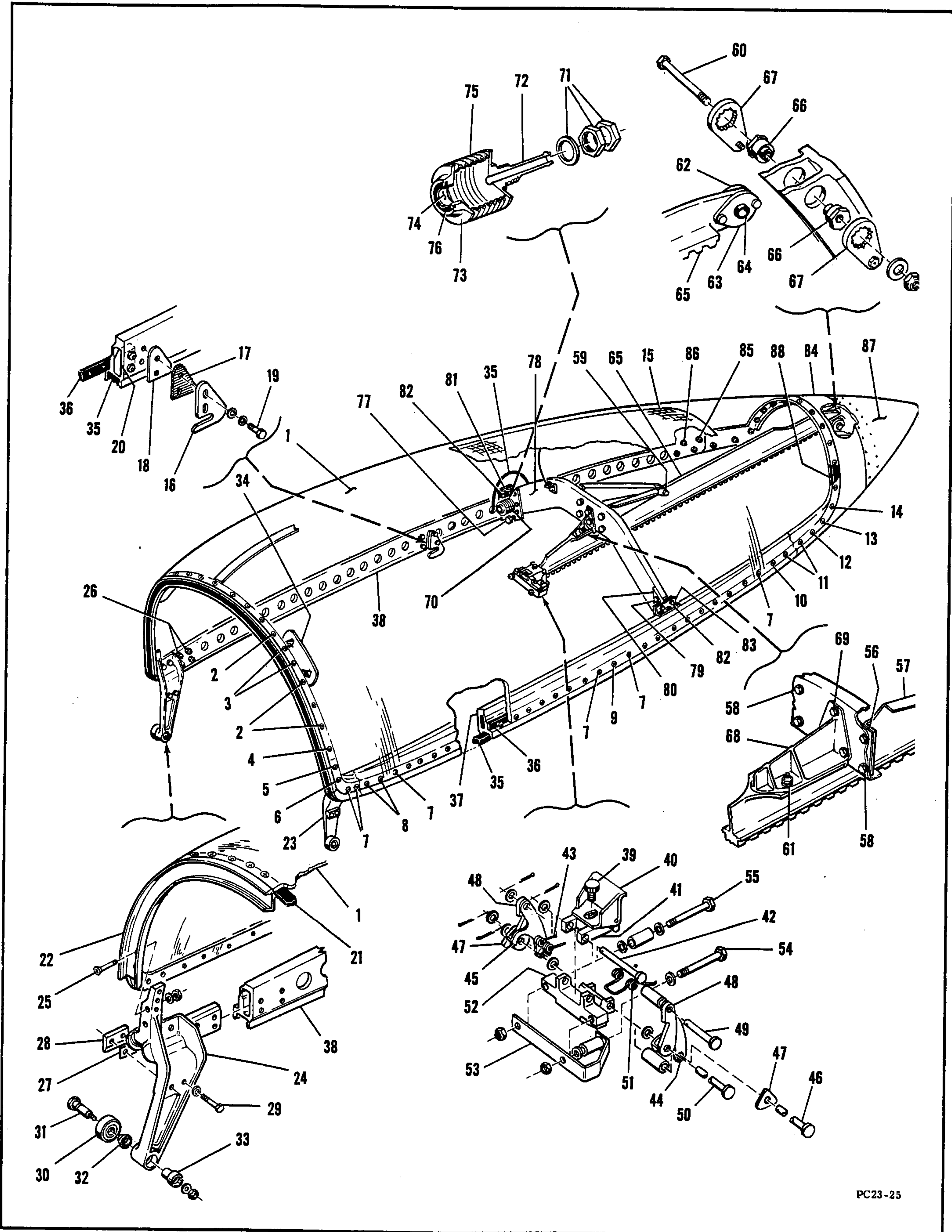
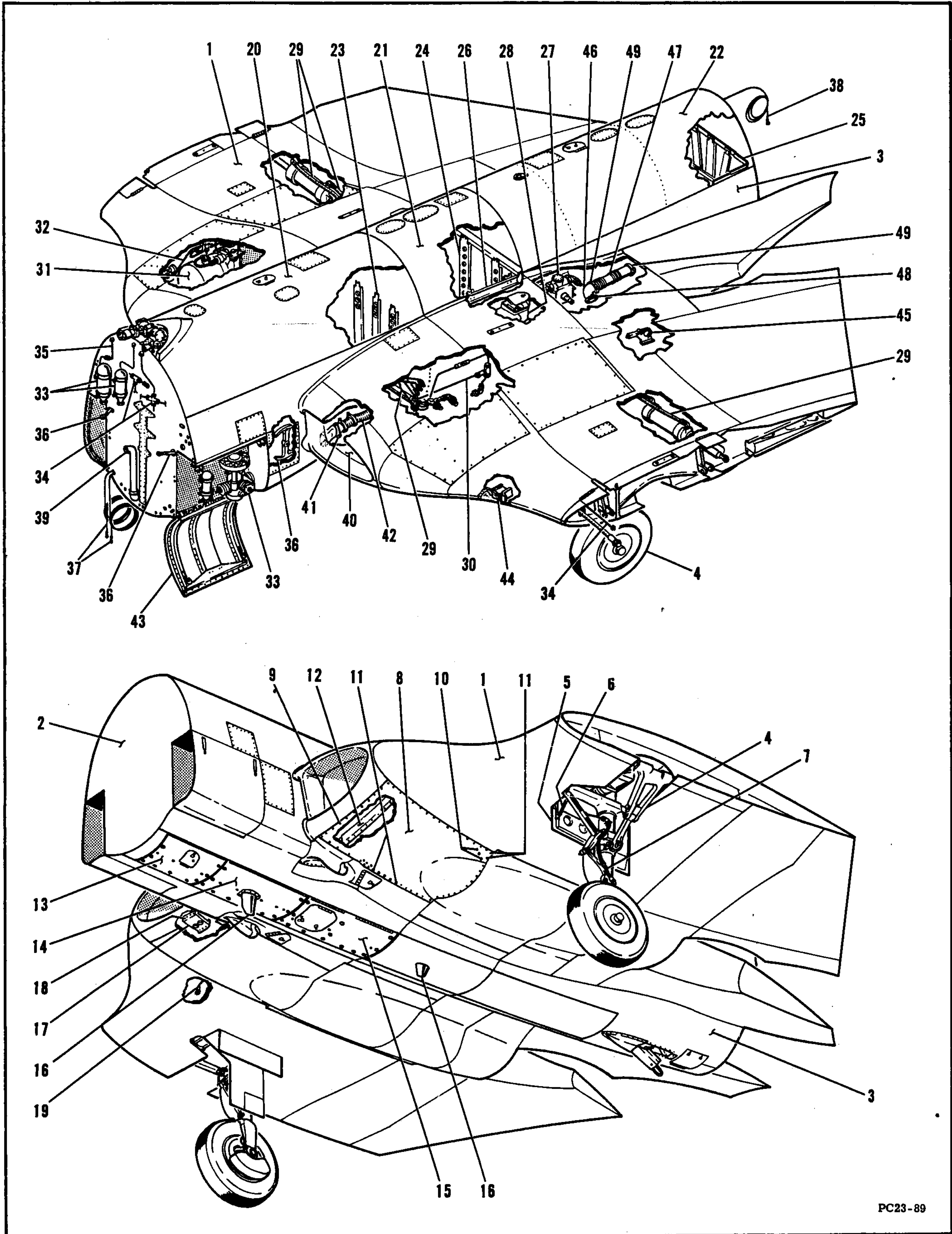


Figure 75 -- Forward Fuselage Gun Installation



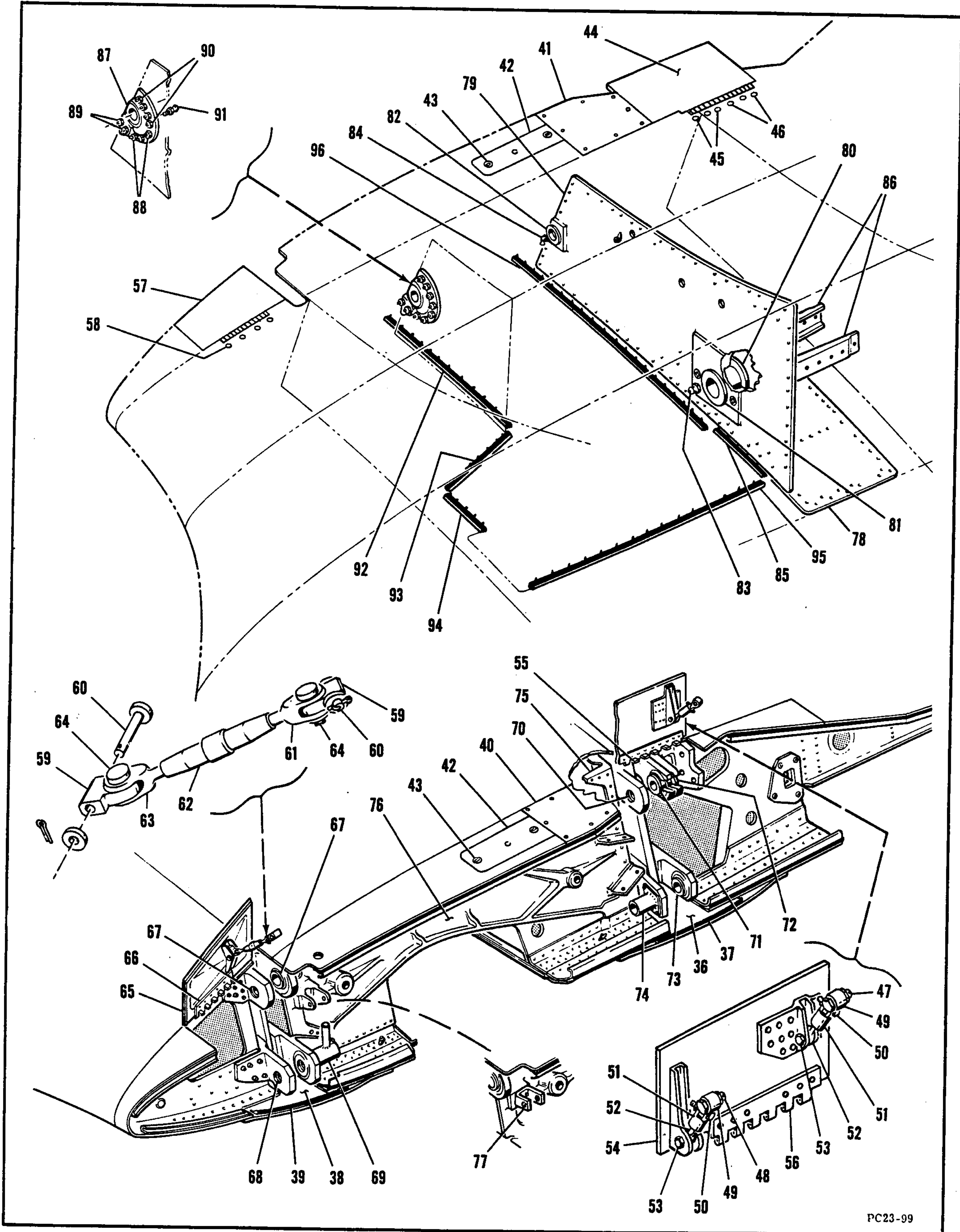
PC23-25

Figure 78 - Canopy Assembly



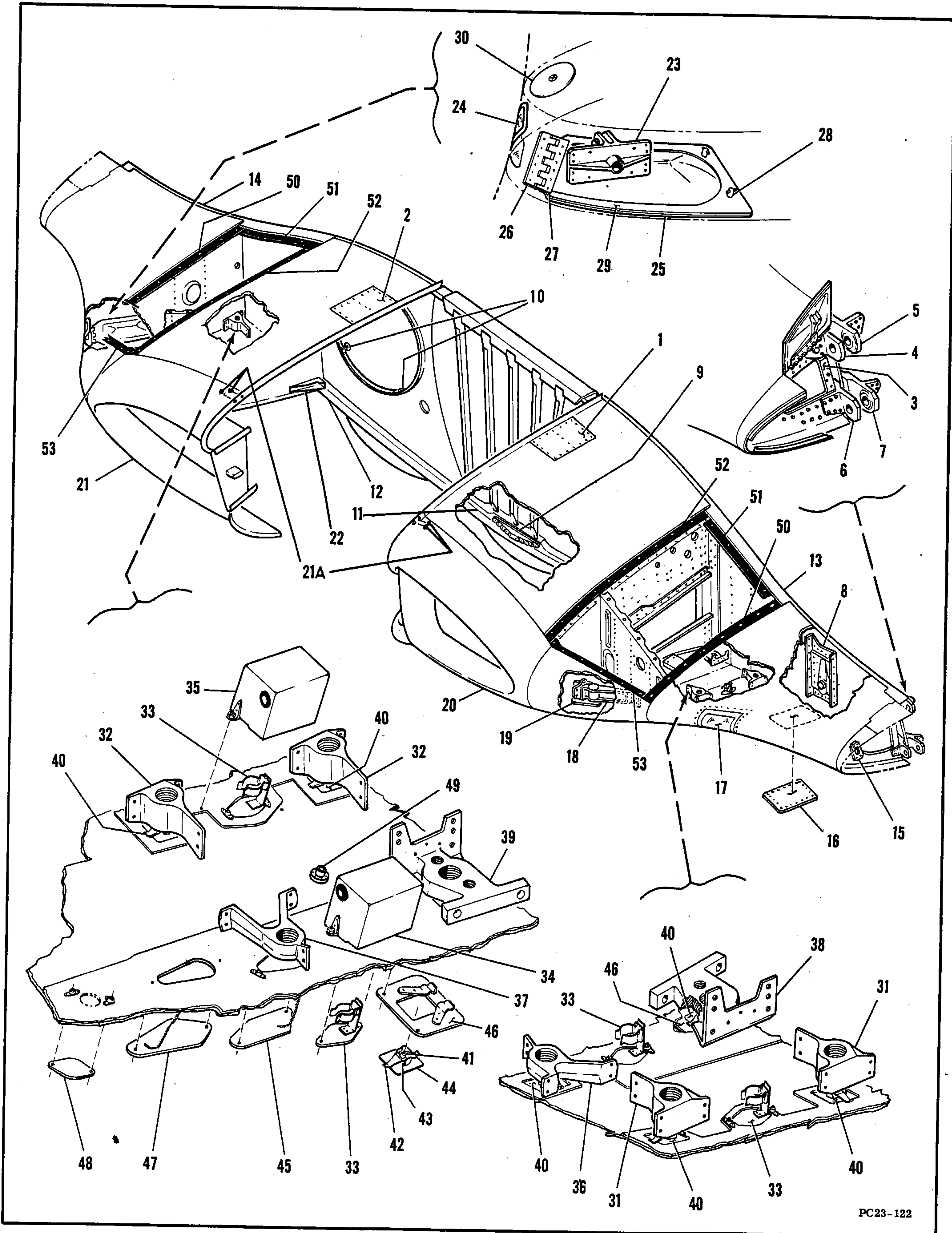
PC23-89

Figure 80 -- Center Section Wing & Fuselage Assembly



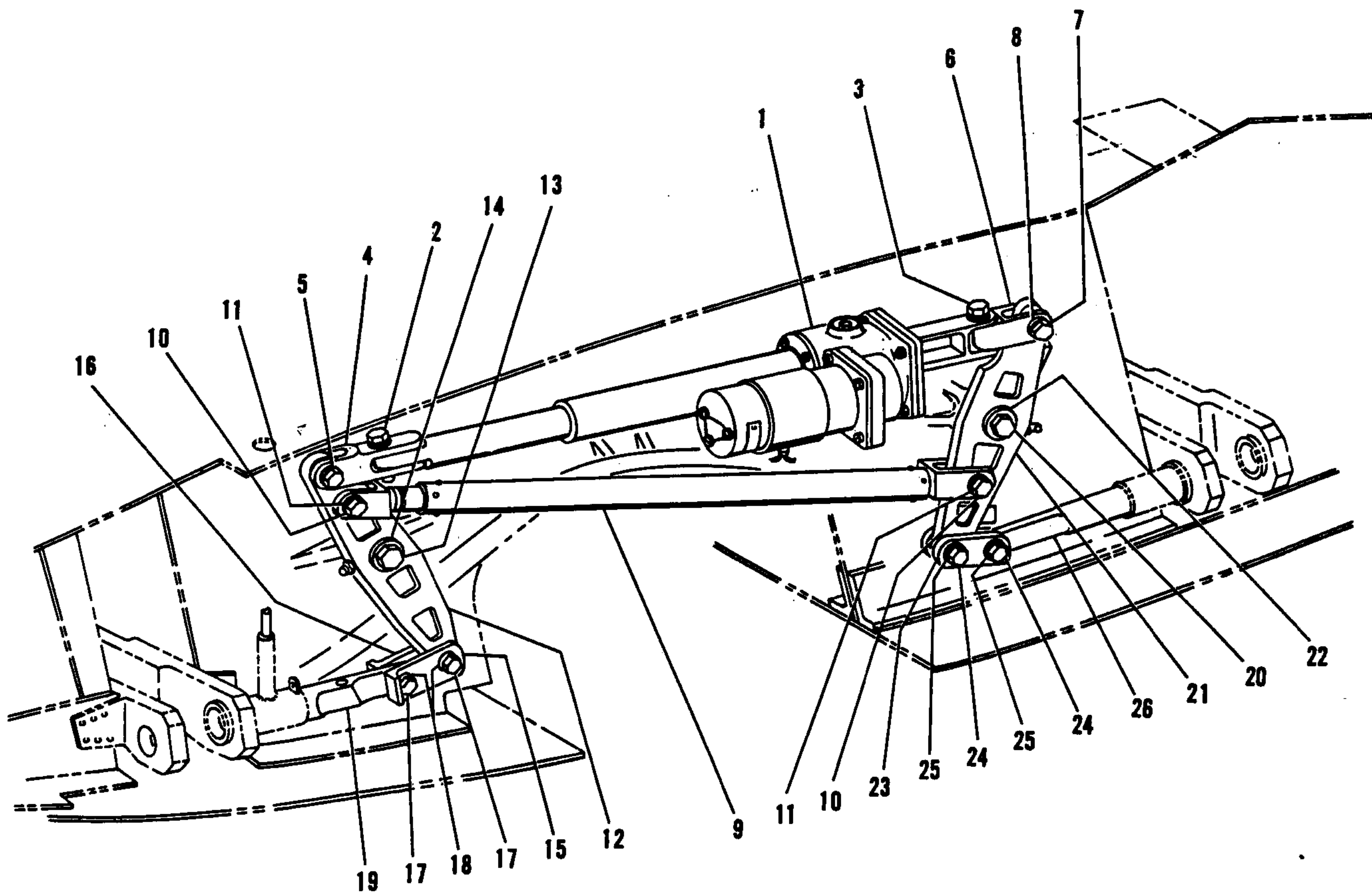
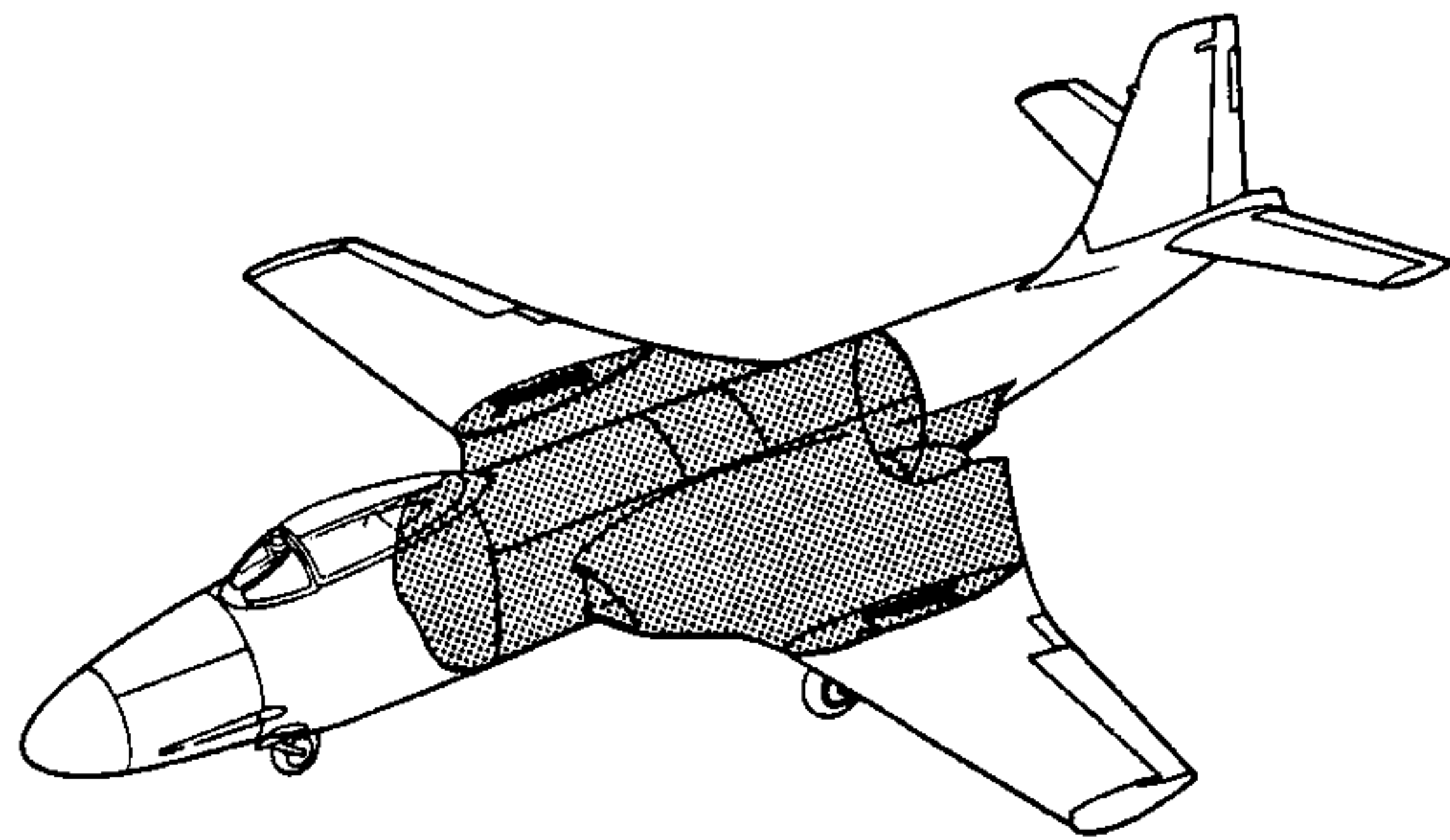
PC23-99

Figure 83 -- (Sheet 2 of 2 Sheets) Center Section Wing Structural Assembly



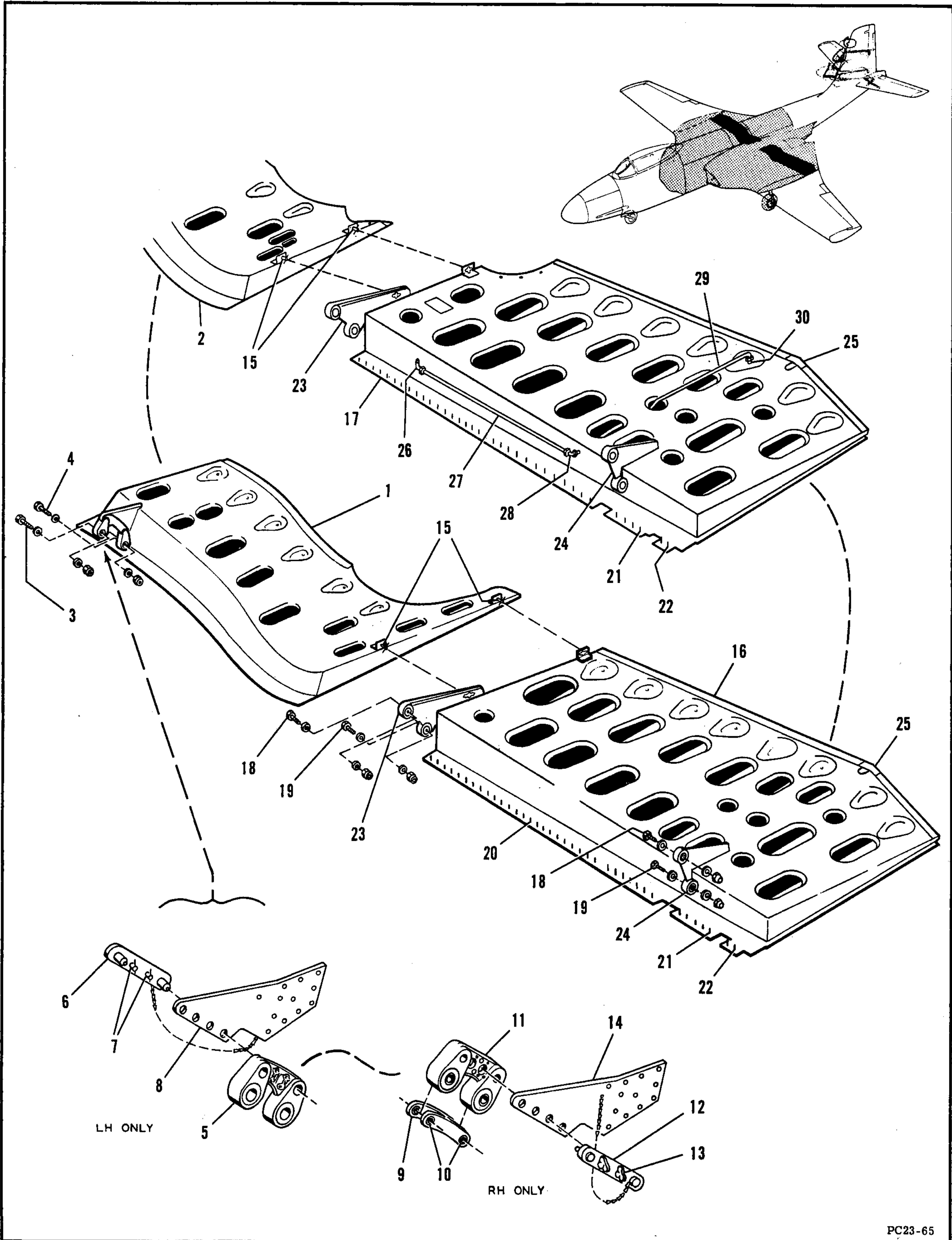
PC23-122

Figure 84 -- Center Section Wing Leading Edge Structural Assembly



PC23-64

Figure 87 -- Center Section Wing Pin Pull Mechanism Installation



PC23-65

Figure 88 -- Center Section Wing Flap Installation

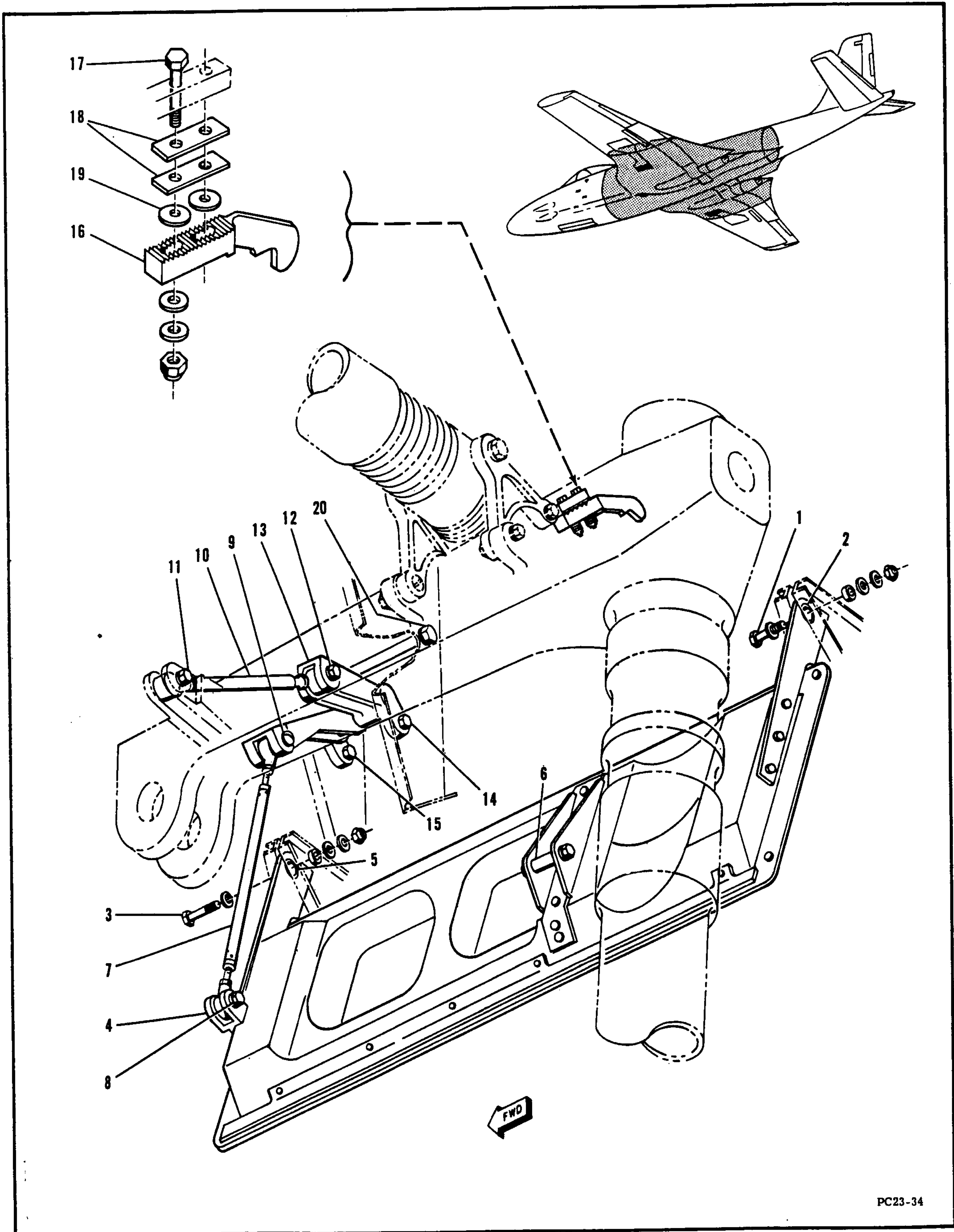
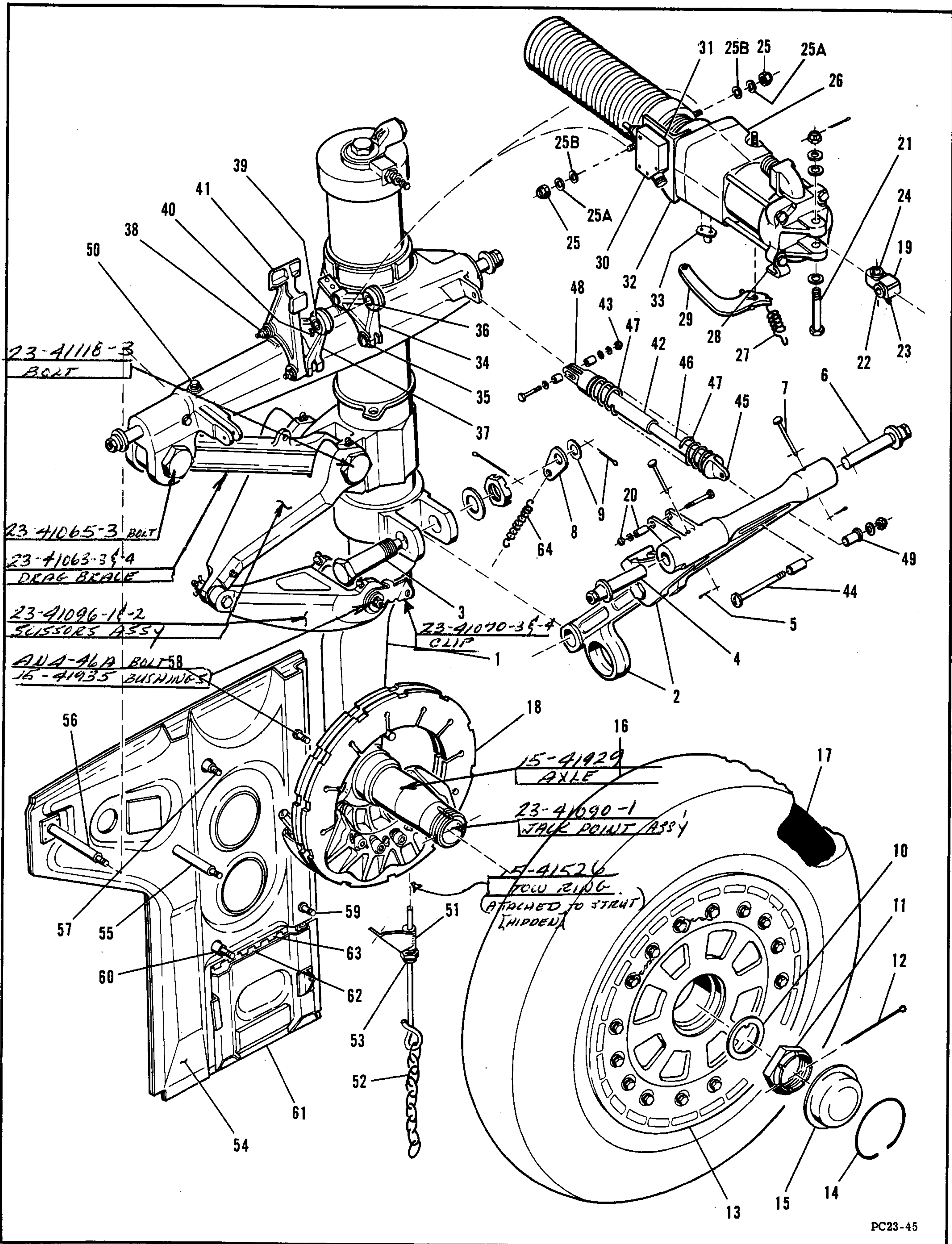


Figure 98 -- Main Landing Gear Flipper Door Assembly & Mechanism Installation



PC23-45

Figure 100 -- Main Landing Gear Installation

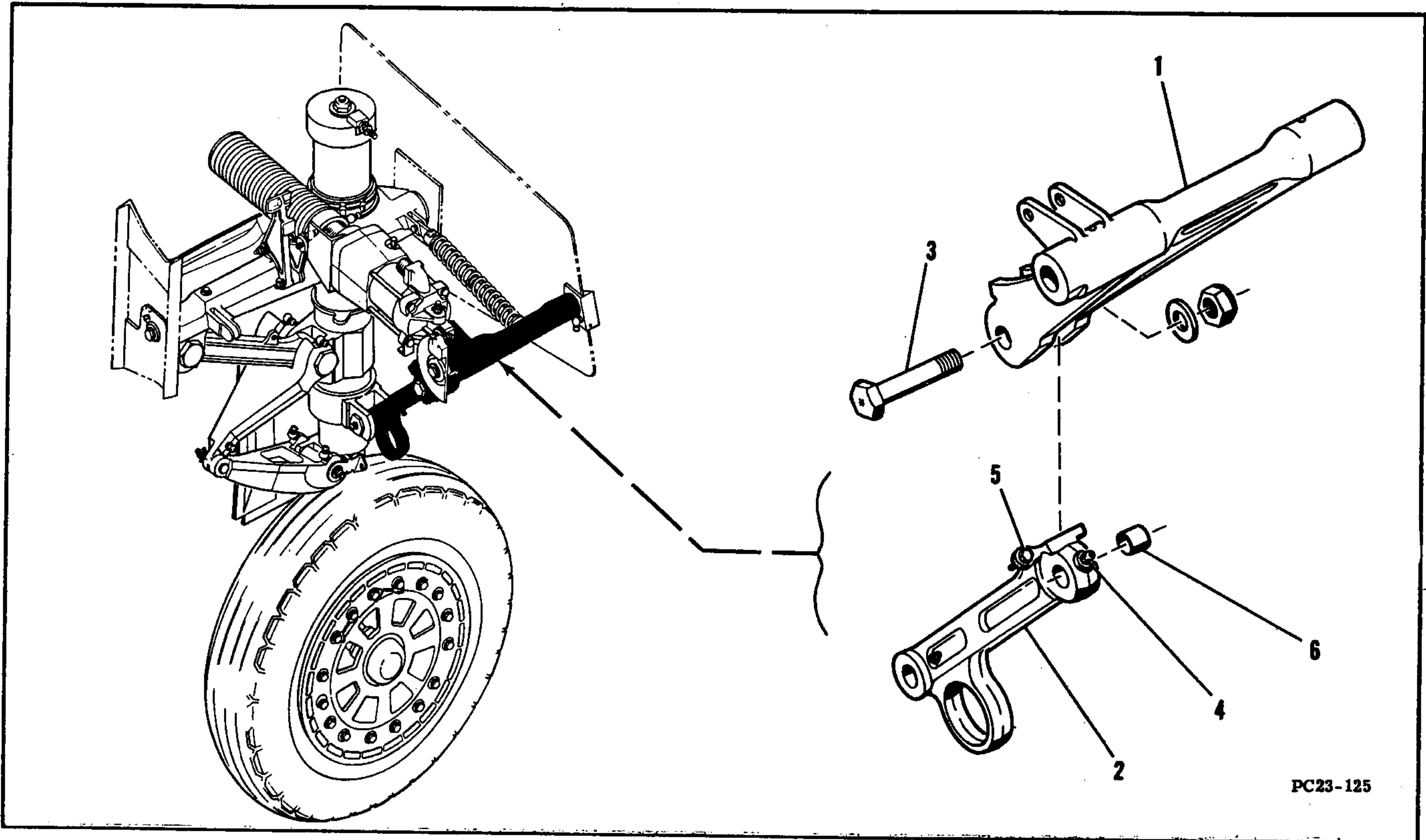
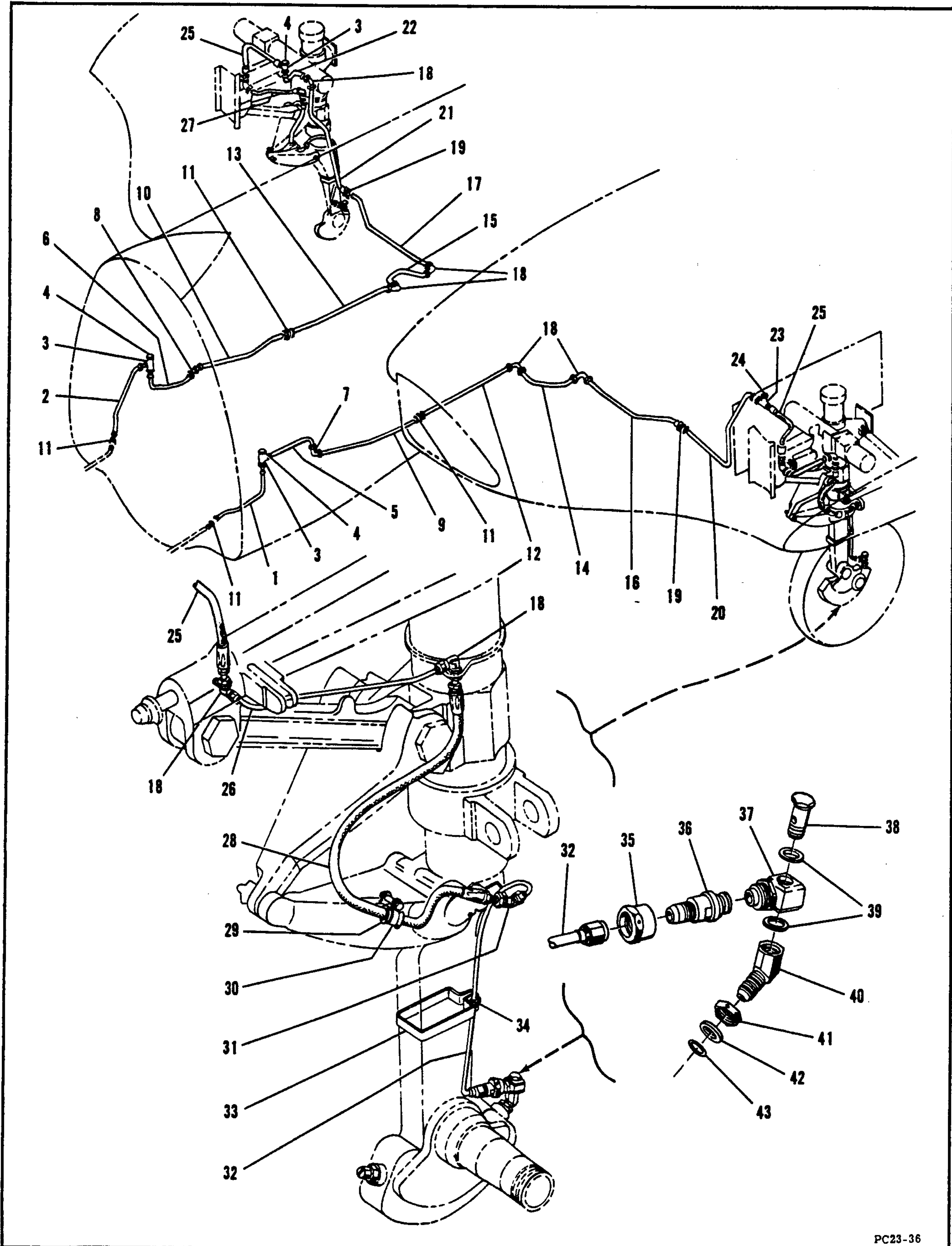


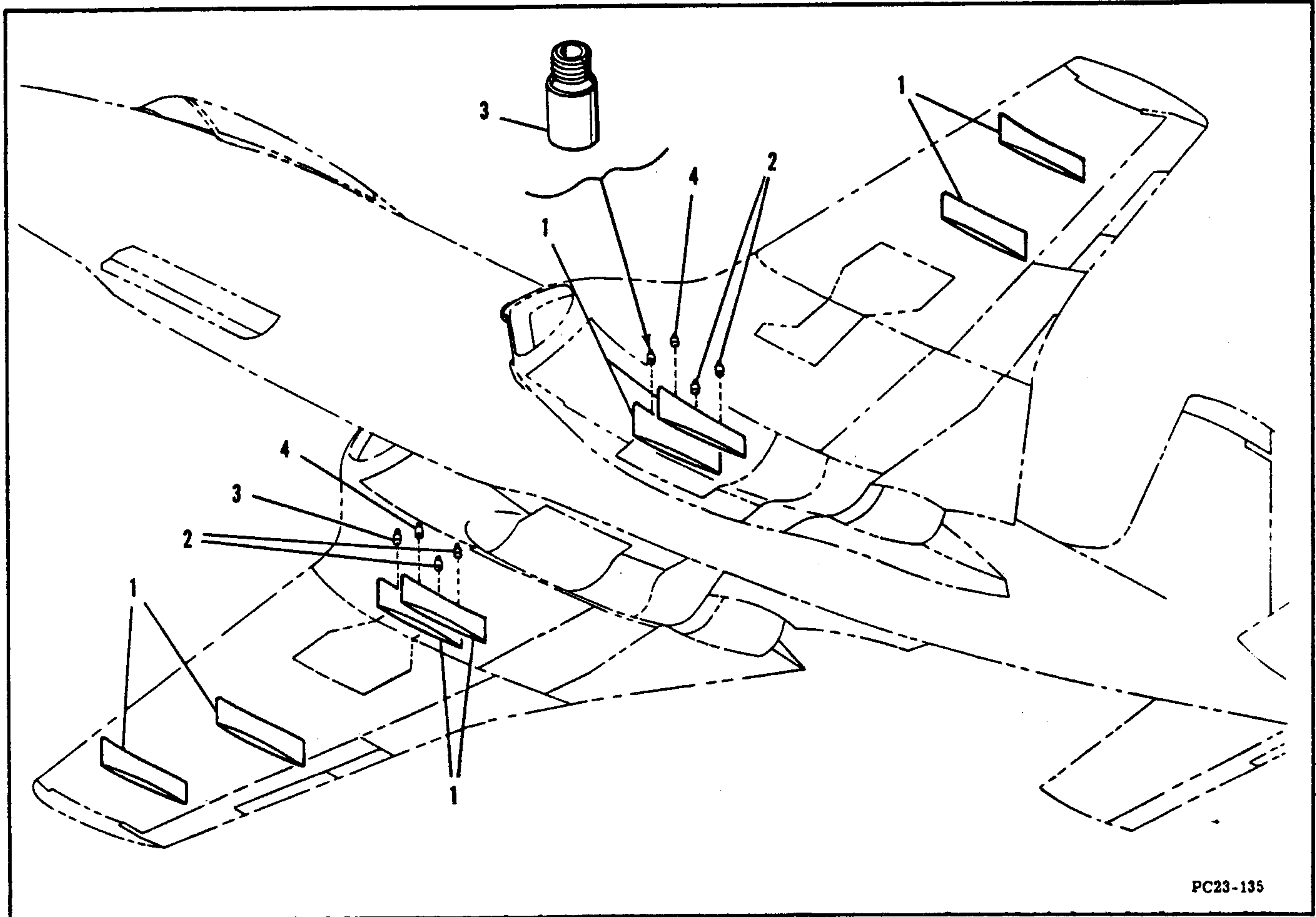
Figure 102 -- Main Landing Gear Side Brace Link Assembly

FIGURE & INDEX NUMBER	GROUP CENTER SECTION WING & FUSELAGE						UNITS PER ASS'Y	USABLE ON CODE					
	MAJOR ASSEMBLY MAIN LANDING GEAR SIDE BRACE LINK ASSEMBLY												
	PART NUMBER	1	2	3	4	5			6	NOMENCLATURE			
102-	23-41095-1	Link	Assembly	-	Main	landing	gear	side	brace	LH	Ref		
	23-41095-2	Link	Assembly	-	Main	landing	gear	side	brace	RH	Ref		
-1	23-41051-3	Brace	-	Main	landing	gear	upper	side	LH		1		
	23-41051-4	Brace	-	Main	landing	gear	upper	side	RH		1		
-2	23-41052-1	Brace	Assembly	-	Main	landing	gear	lower	side	LH	1		
	23-41052-2	Brace	Assembly	-	Main	landing	gear	lower	side	RH	1		
-3	23-41054-3	Attaching Parts											
	AN960-1416L	Bolt	-	Main	landing	gear	side	brace	center		1		
	AN365-1414	Washer									1		
		Nut									1		
-4	AN944-101	Fitting	-	Lubricator	(upper)						1		
	AN944-103	Fitting	-	Lubricator	(lower)						1		
-5	NAS428-4-5	Bolt	-	Adjusting							1		
	4M29B125-17-32	Washer	(MDA)								1		
	AN364-428	Nut									1		
-6	NAS72-14-102	Bushing									1		



PC23-36

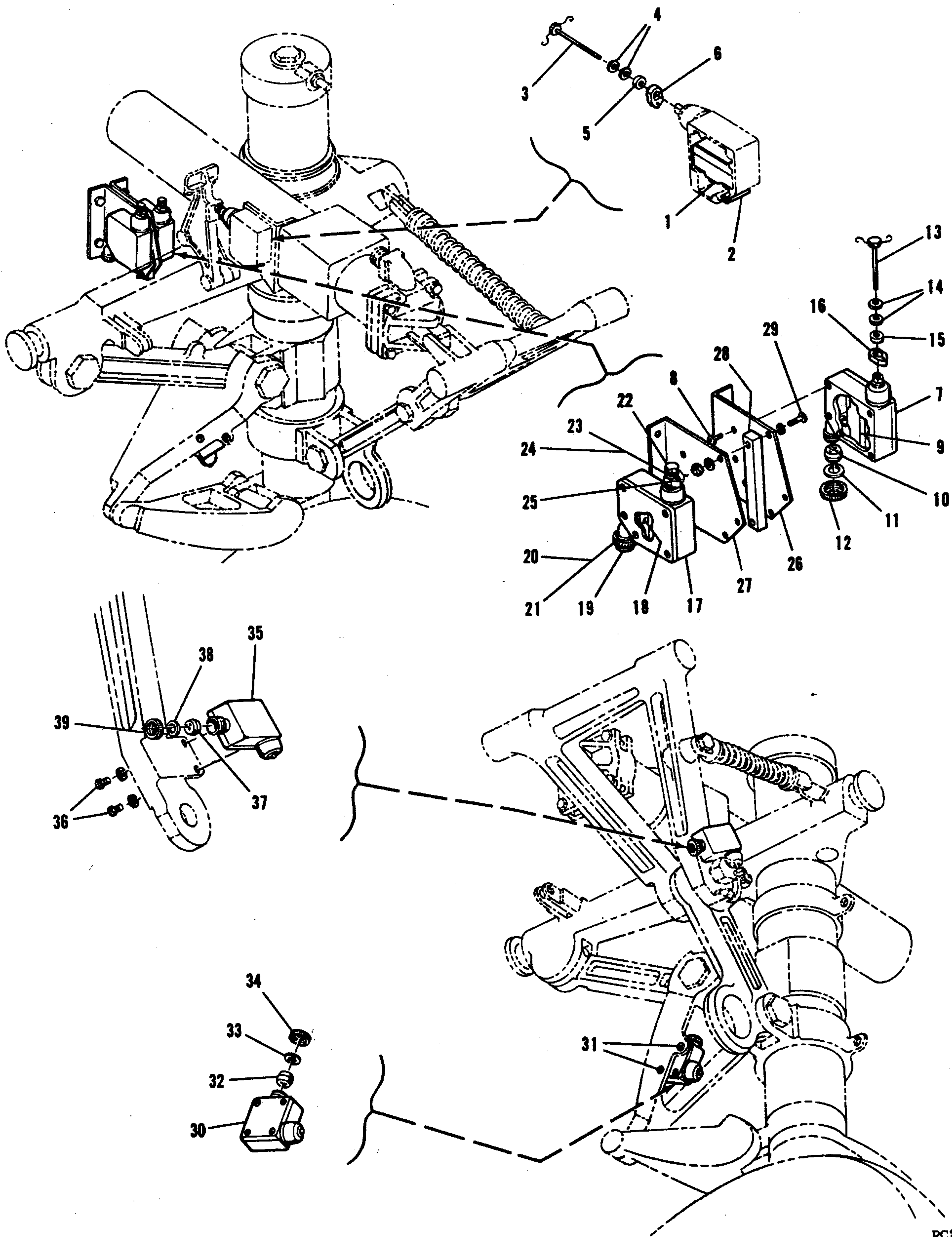
Figure 103 -- Main Landing Gear Brake Line Installation



PC23-135

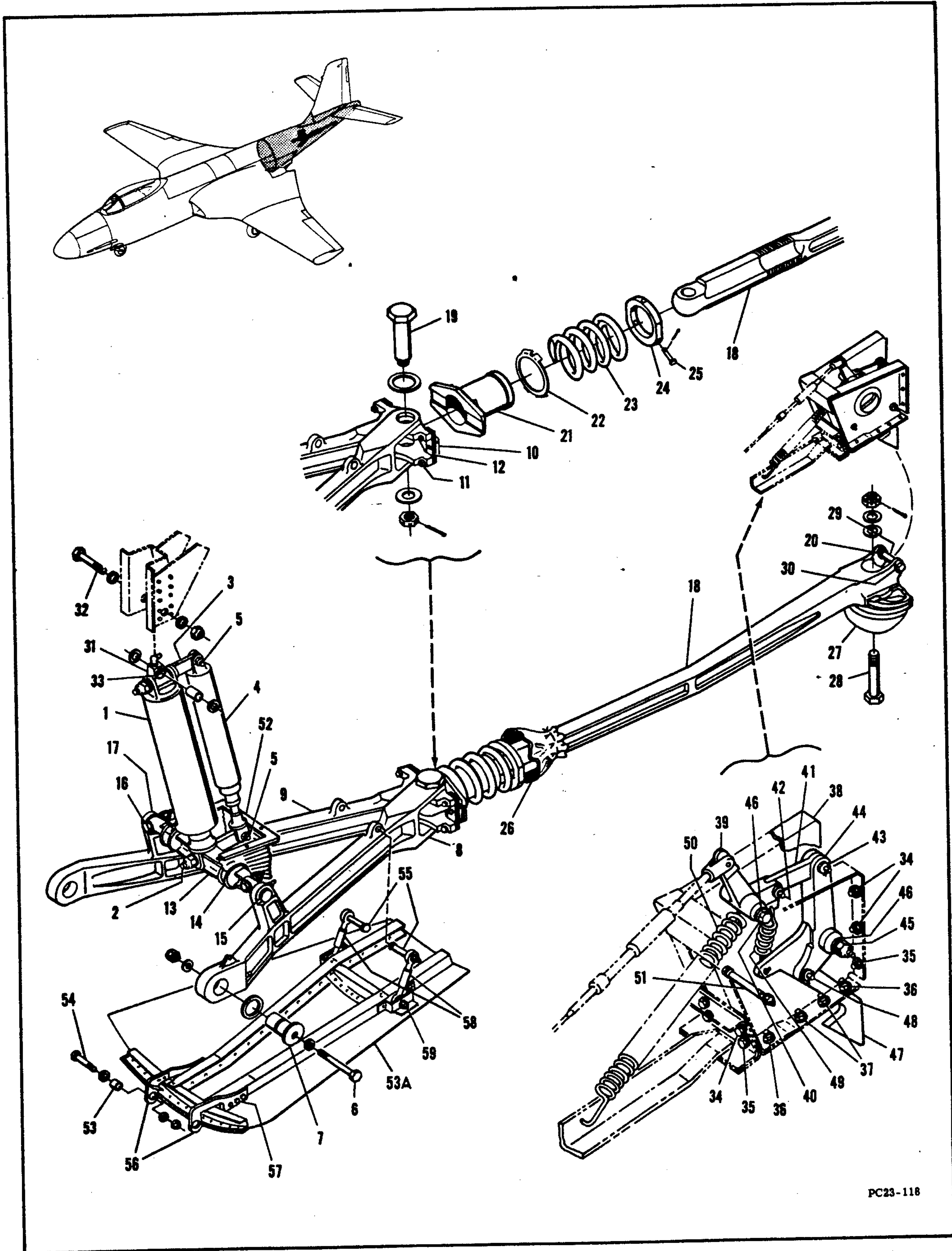
Figure 128 -- Rocket Launcher & Bomb Rack Installation

FIGURE & INDEX NUMBER	GROUP CENTER SECTION WING & FUSELAGE						UNITS PER ASS'Y	USABLE ON CODE		
	MAJOR ASSEMBLY ROCKET LAUNCHER & BOMB RACK INSTALLATION									
	PART NUMBER	1	2	3	4	5			6	NOMENCLATURE
128-	23-73052-1							1		
	15-73000-1							1	a-f	j-k
	15-73000-301							1		
-1	No Number							8		(15-73000-1)
	No Number							8		(15-73000-301)
-2	15-73001-3							4		
-3	15-73001-5							2		
-4	15-73001-7							2		



PC23-146

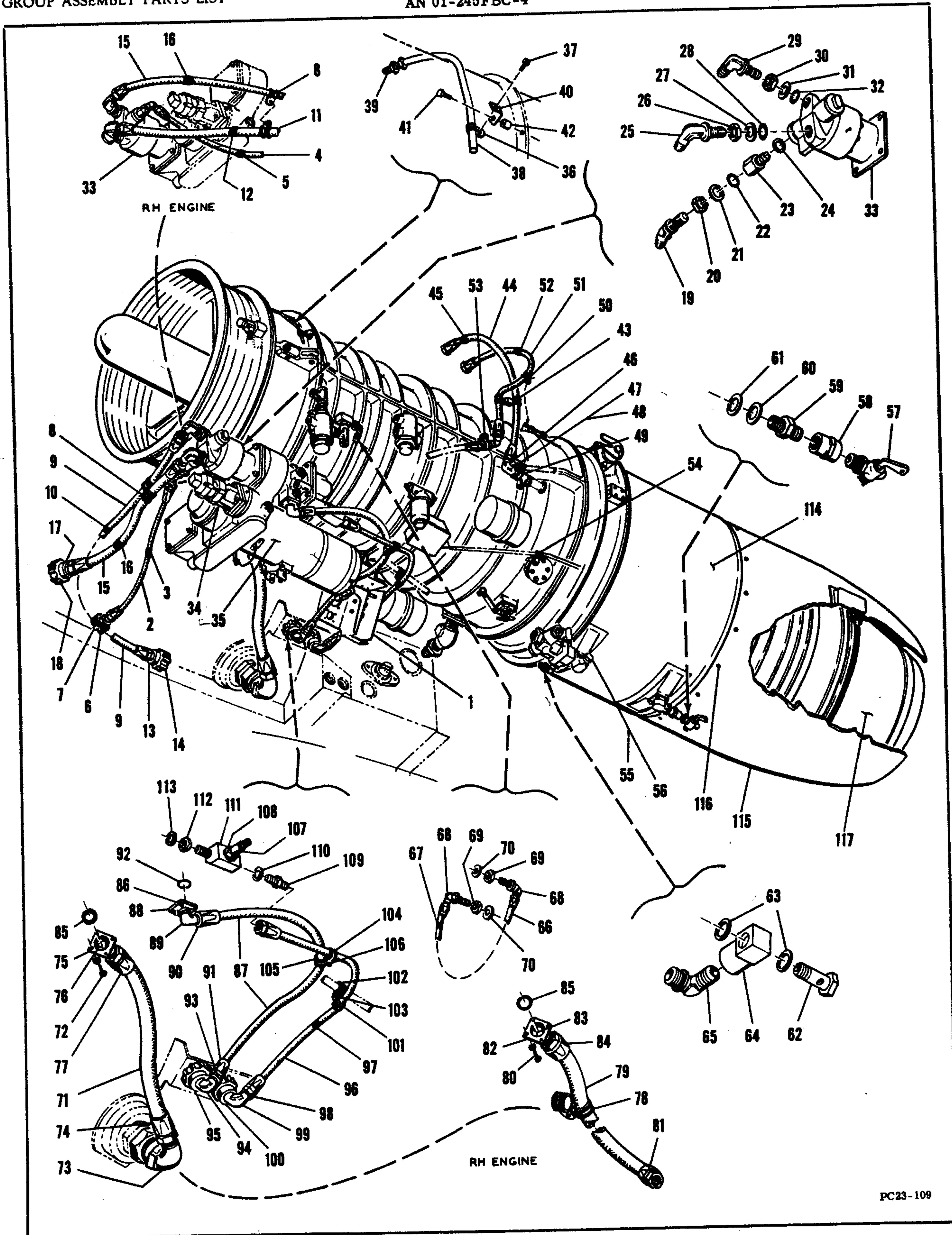
Figure 129 -- Main Landing Gear Limit Switch Installation



PC23-118

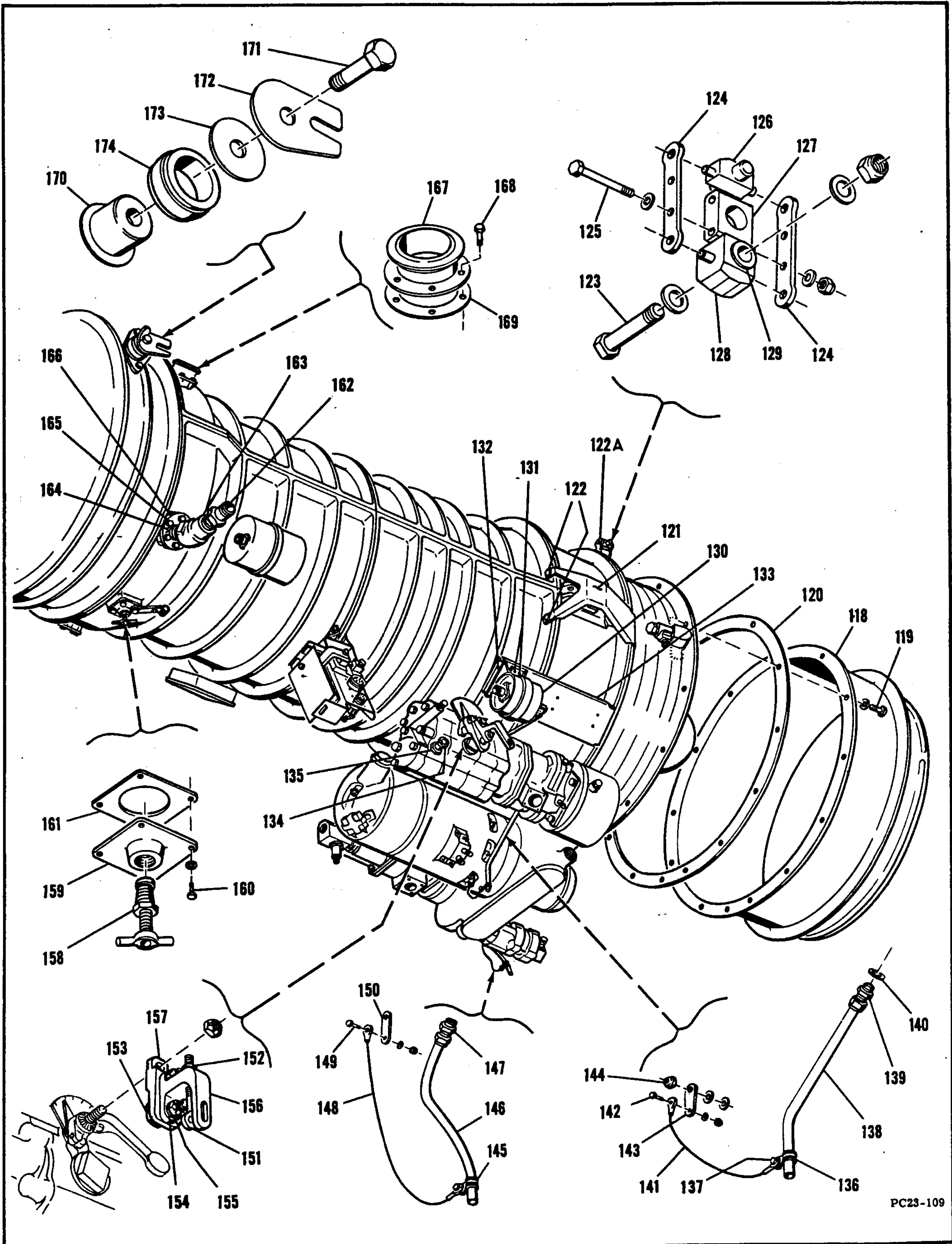
Figure 135 -- Arresting Gear Mechanism Installation

Revised 1 February 1958



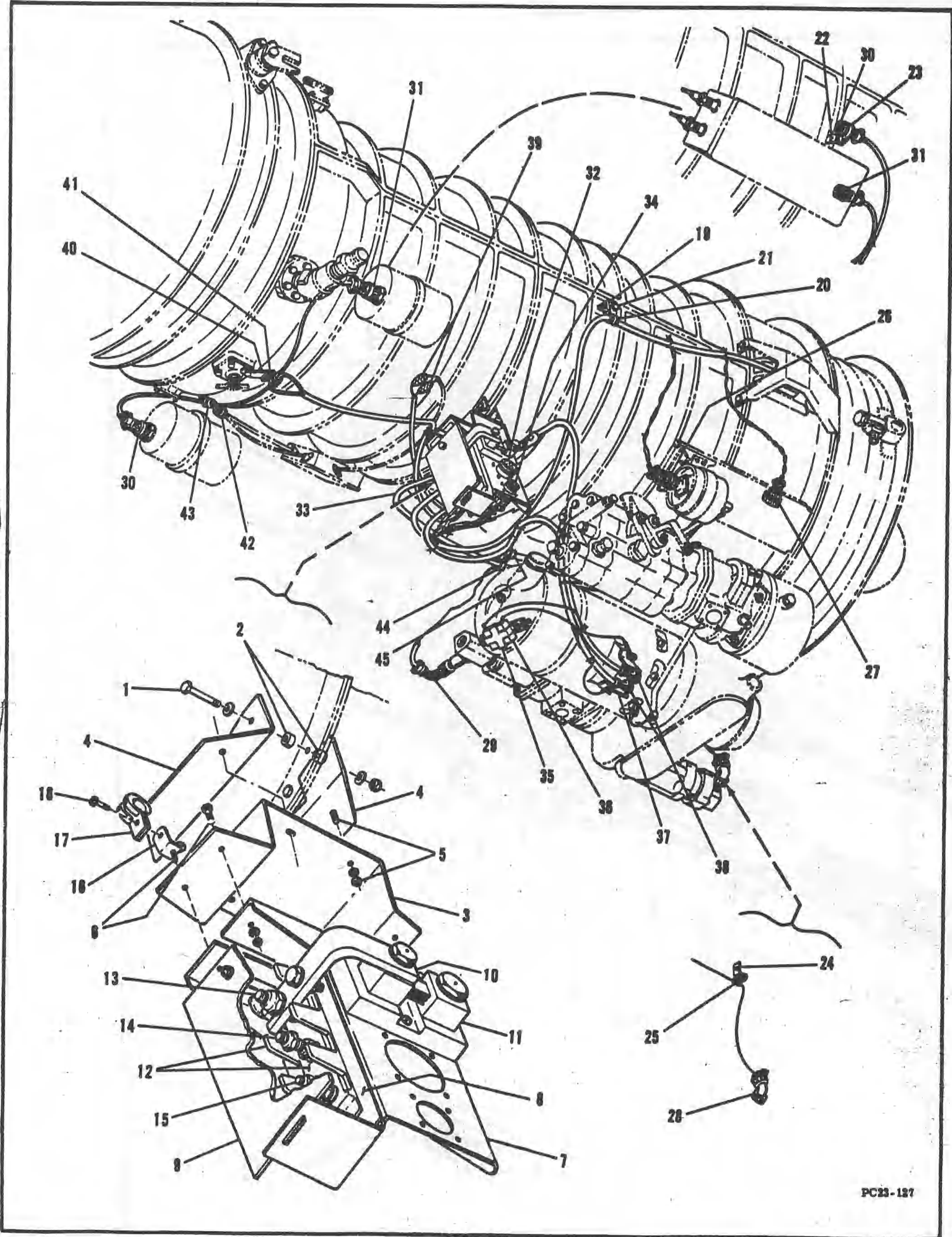
PC23-109

FIGURE 148 -- (SHEET 1 OF 2 SHEETS) POWER PLANT & QUICK ENGINE CHANGE UNIT INSTALLATION
Revised 1 December 1955



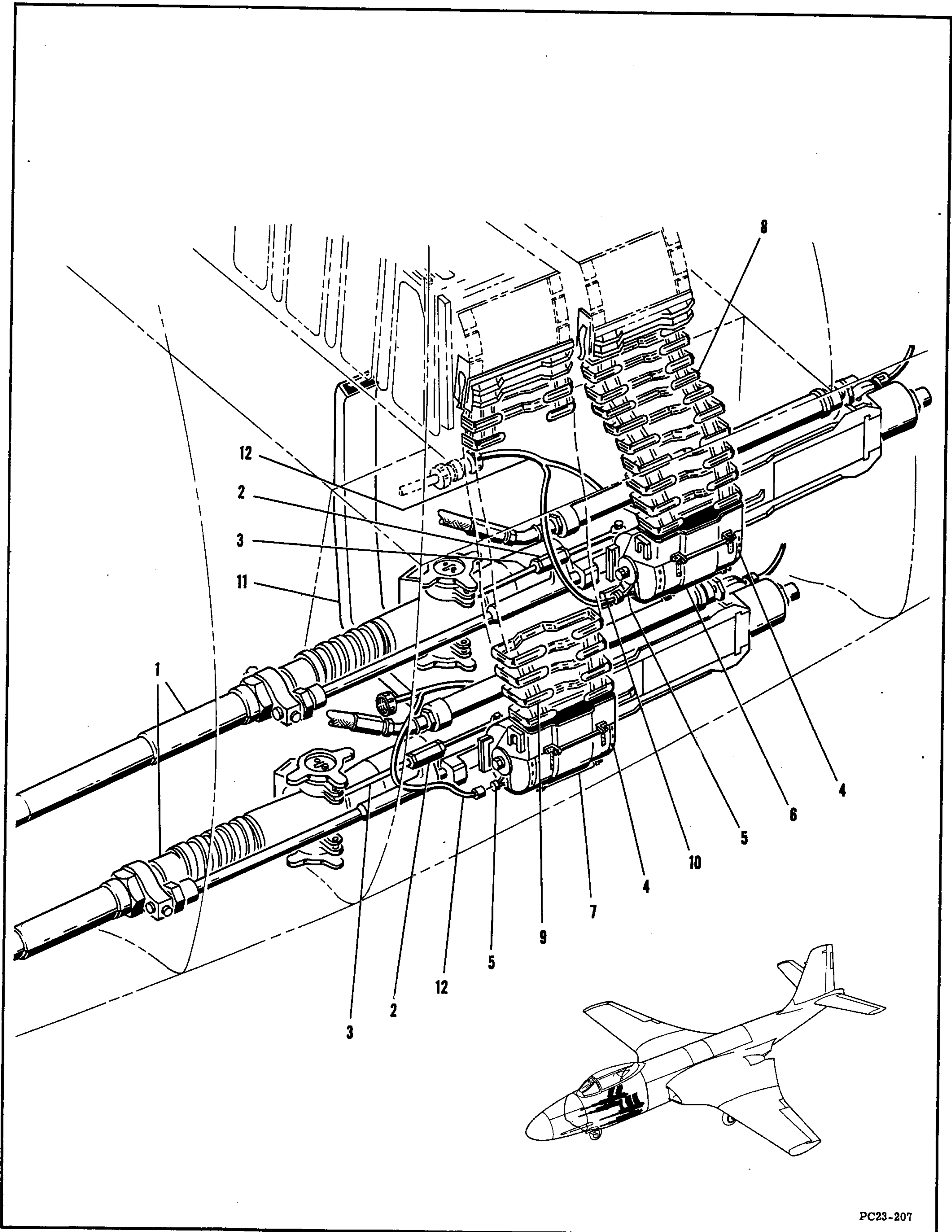
PC23-109

Figure 148 -- (Sheet 2 of 2 Sheets) Power Plant & Quick Engine Change Unit Installation



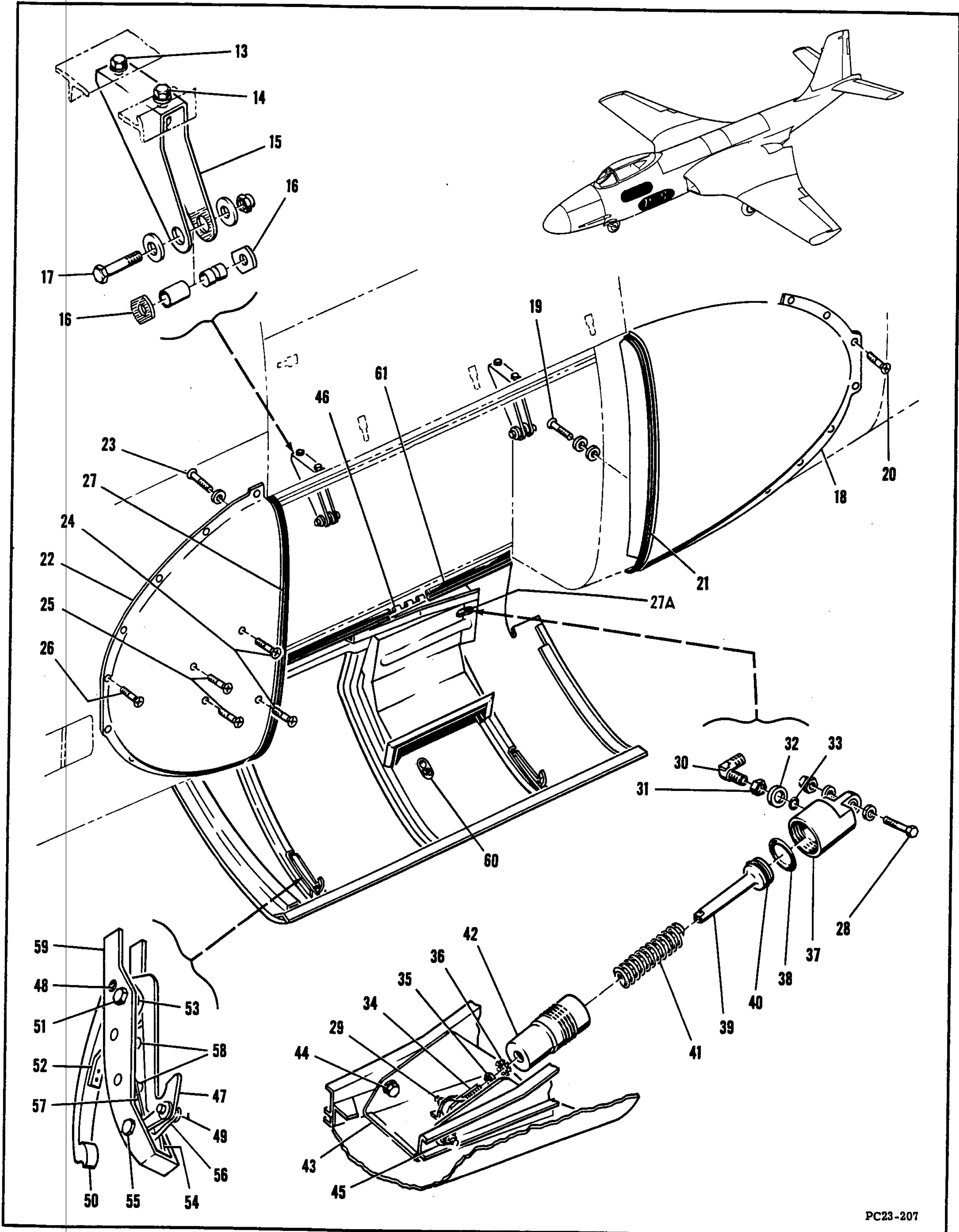
PC23-127

Figure 149 -- Power Plant Electrical Installation



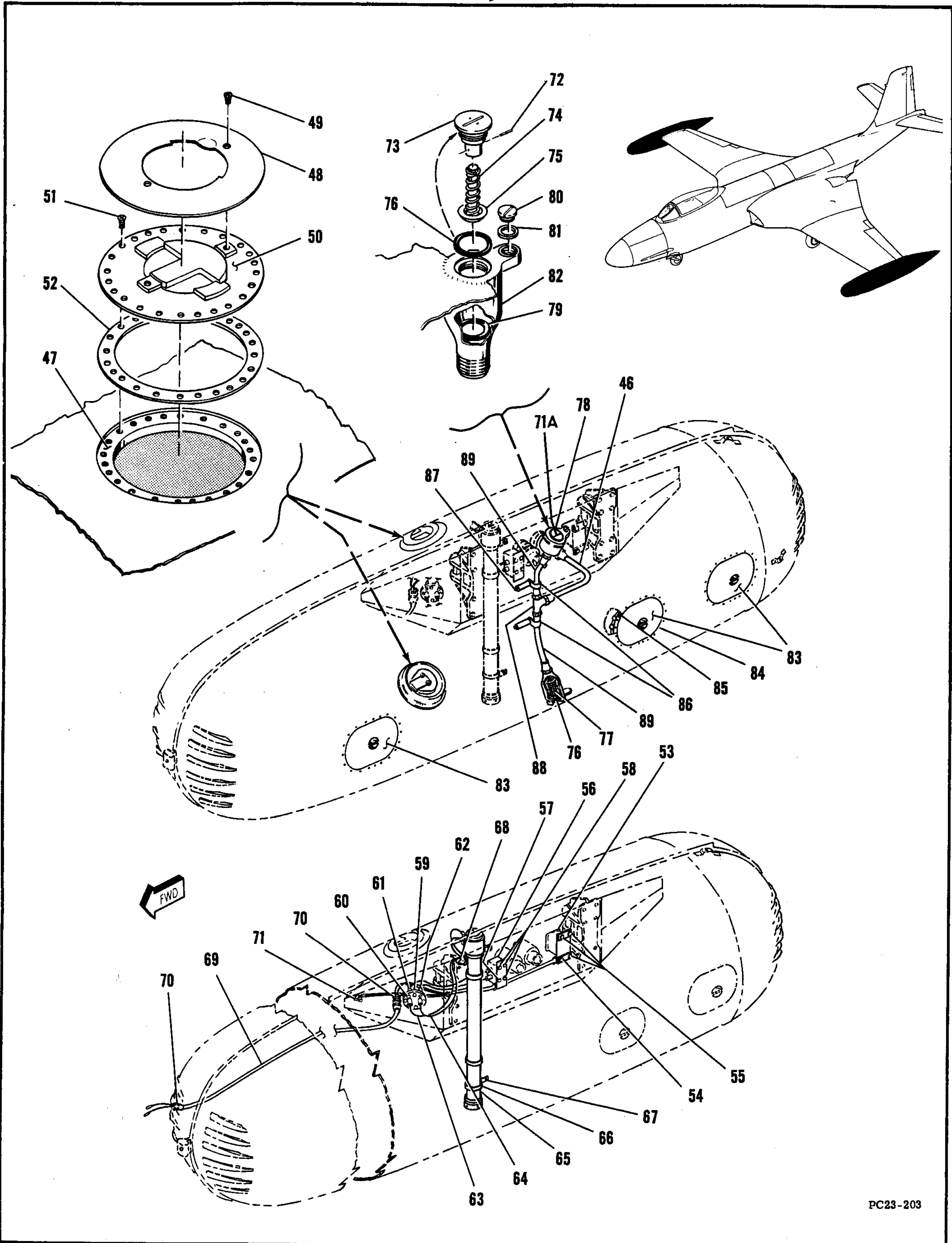
PC23-207

Figure 161 -- (Sheet 1 of 2 Sheets) M3 Gun Conversion Kit



PC23-207

Figure 161 -- (Sheet 2 of 2 Sheets) M3 Gun Conversion Kit

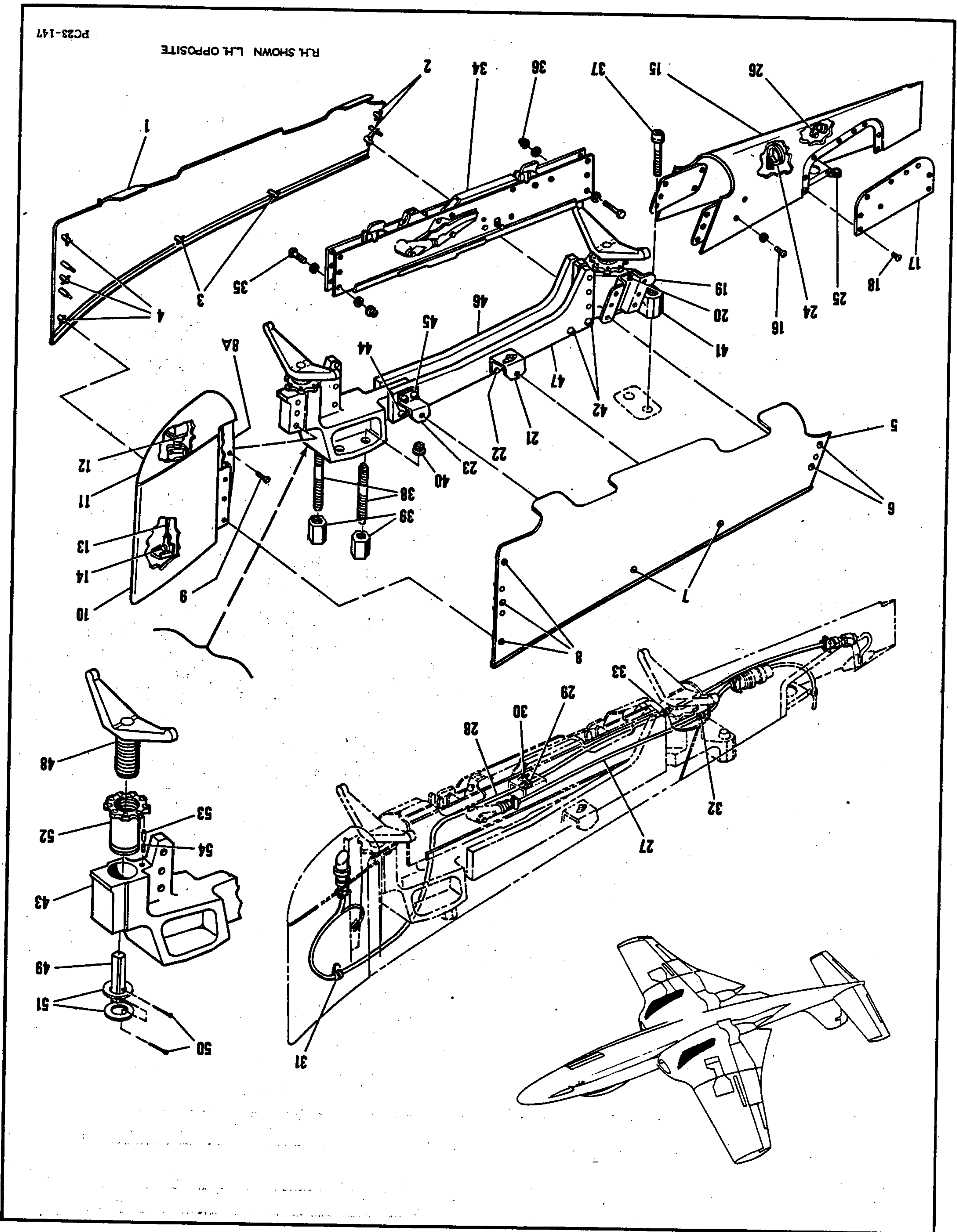


PC23-203

Figure 164 -- (Sheet 2 of 2 Sheets) Wing Tip Tank Assembly

Figure 168 -- MK 51 Bomb Rack Support Assembly

Revised 1 February 1958

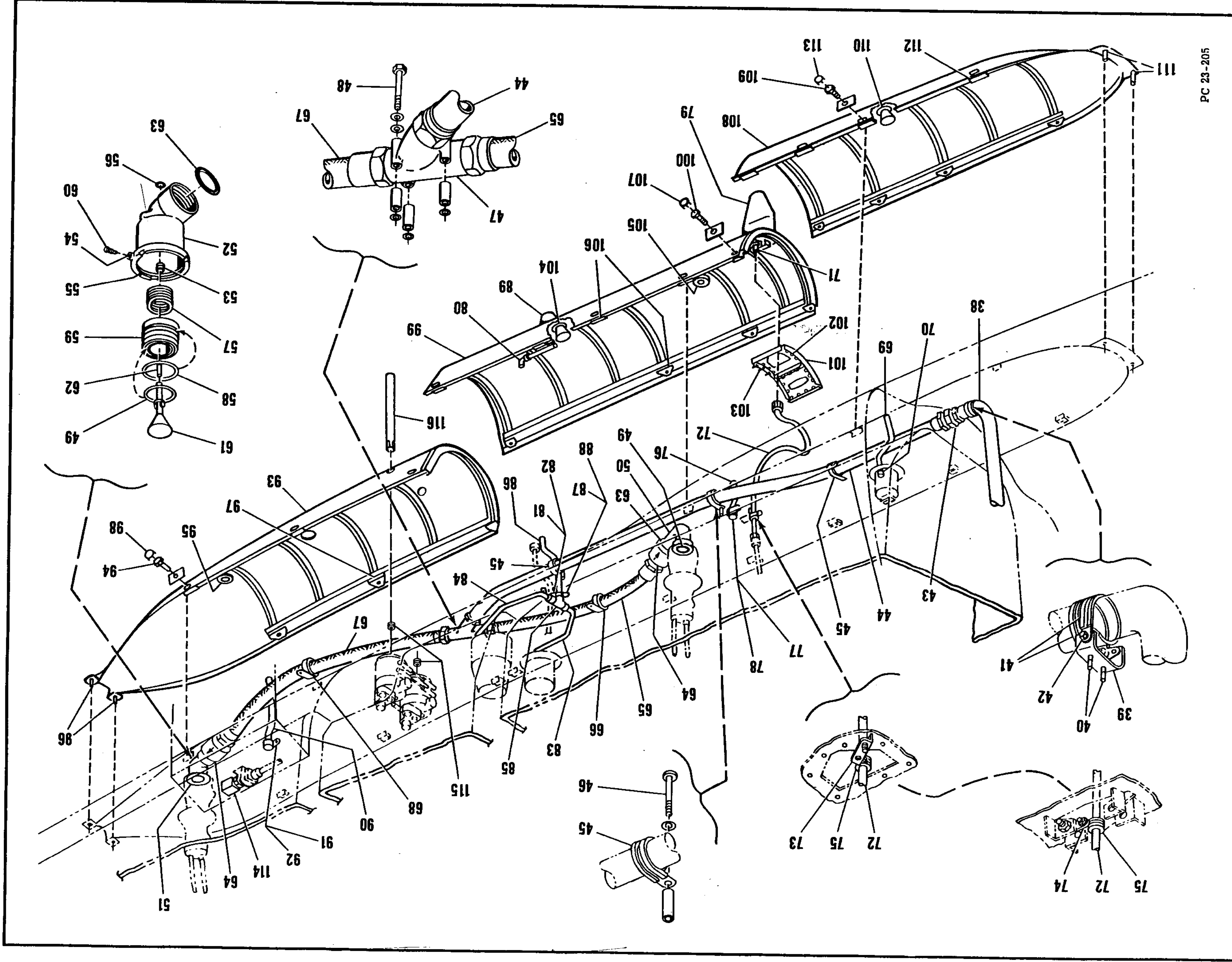


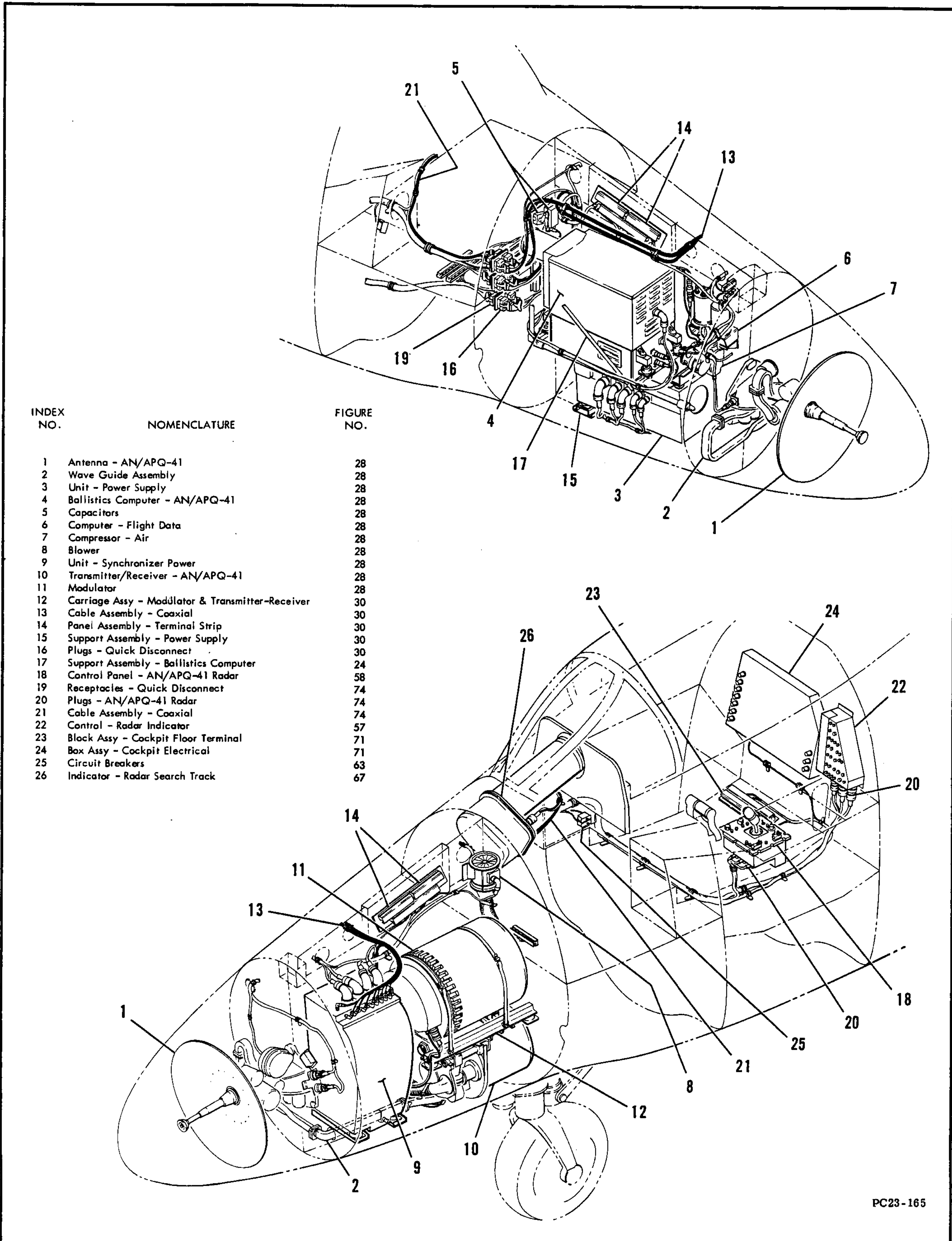
SECTION II
GROUP ASSEMBLY PARTS LIST

AN 01-245FBC-4

SECTION 11
GROUP ASSEMBLY PARTS LIST

AN 01-245FBC-4

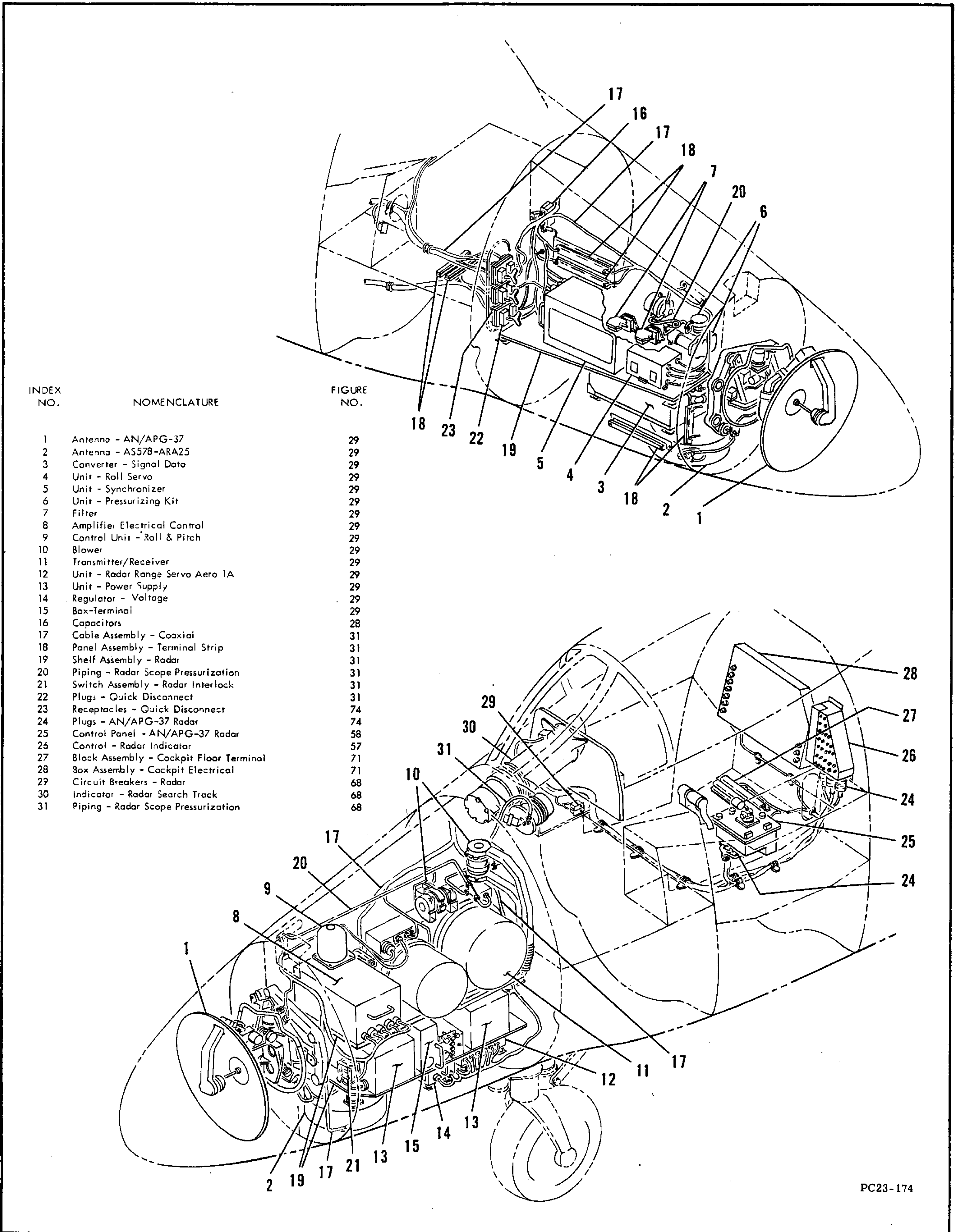




INDEX NO.	NOMENCLATURE	FIGURE NO.
1	Antenna - AN/APQ-41	28
2	Wave Guide Assembly	28
3	Unit - Power Supply	28
4	Ballistics Computer - AN/APQ-41	28
5	Capacitors	28
6	Computer - Flight Data	28
7	Compressor - Air	28
8	Blower	28
9	Unit - Synchronizer Power	28
10	Transmitter/Receiver - AN/APQ-41	28
11	Modulator	28
12	Carriage Assy - Modulator & Transmitter-Receiver	30
13	Cable Assembly - Coaxial	30
14	Panel Assembly - Terminal Strip	30
15	Support Assembly - Power Supply	30
16	Plugs - Quick Disconnect	30
17	Support Assembly - Ballistics Computer	24
18	Control Panel - AN/APQ-41 Radar	58
19	Receptacles - Quick Disconnect	74
20	Plugs - AN/APQ-41 Radar	74
21	Cable Assembly - Coaxial	74
22	Control - Radar Indicator	57
23	Block Assy - Cockpit Floor Terminal	71
24	Box Assy - Cockpit Electrical	71
25	Circuit Breakers	63
26	Indicator - Radar Search Track	67

PC23-165

Figure 186 -- Search Radar System Index - F2H-3



INDEX NO.	NOMENCLATURE	FIGURE NO.
1	Antenna - AN/APG-37	29
2	Antenna - AS57B-ARA25	29
3	Converter - Signal Data	29
4	Unit - Roll Servo	29
5	Unit - Synchronizer	29
6	Unit - Pressurizing Kit	29
7	Filter	29
8	Amplifier Electrical Control	29
9	Control Unit - Roll & Pitch	29
10	Blower	29
11	Transmitter/Receiver	29
12	Unit - Radar Range Servo Aero IA	29
13	Unit - Power Supply	29
14	Regulator - Voltage	29
15	Box-Terminal	29
16	Capacitors	28
17	Cable Assembly - Coaxial	31
18	Panel Assembly - Terminal Strip	31
19	Shelf Assembly - Radar	31
20	Piping - Radar Scope Pressurization	31
21	Switch Assembly - Radar Interlock	31
22	Plugs - Quick Disconnect	31
23	Receptacles - Quick Disconnect	74
24	Plugs - AN/APG-37 Radar	74
25	Control Panel - AN/APG-37 Radar	58
26	Control - Radar Indicator	57
27	Block Assembly - Cockpit Floor Terminal	71
28	Box Assembly - Cockpit Electrical	71
29	Circuit Breakers - Radar	68
30	Indicator - Radar Search Track	68
31	Piping - Radar Scope Pressurization	68

PC23-174

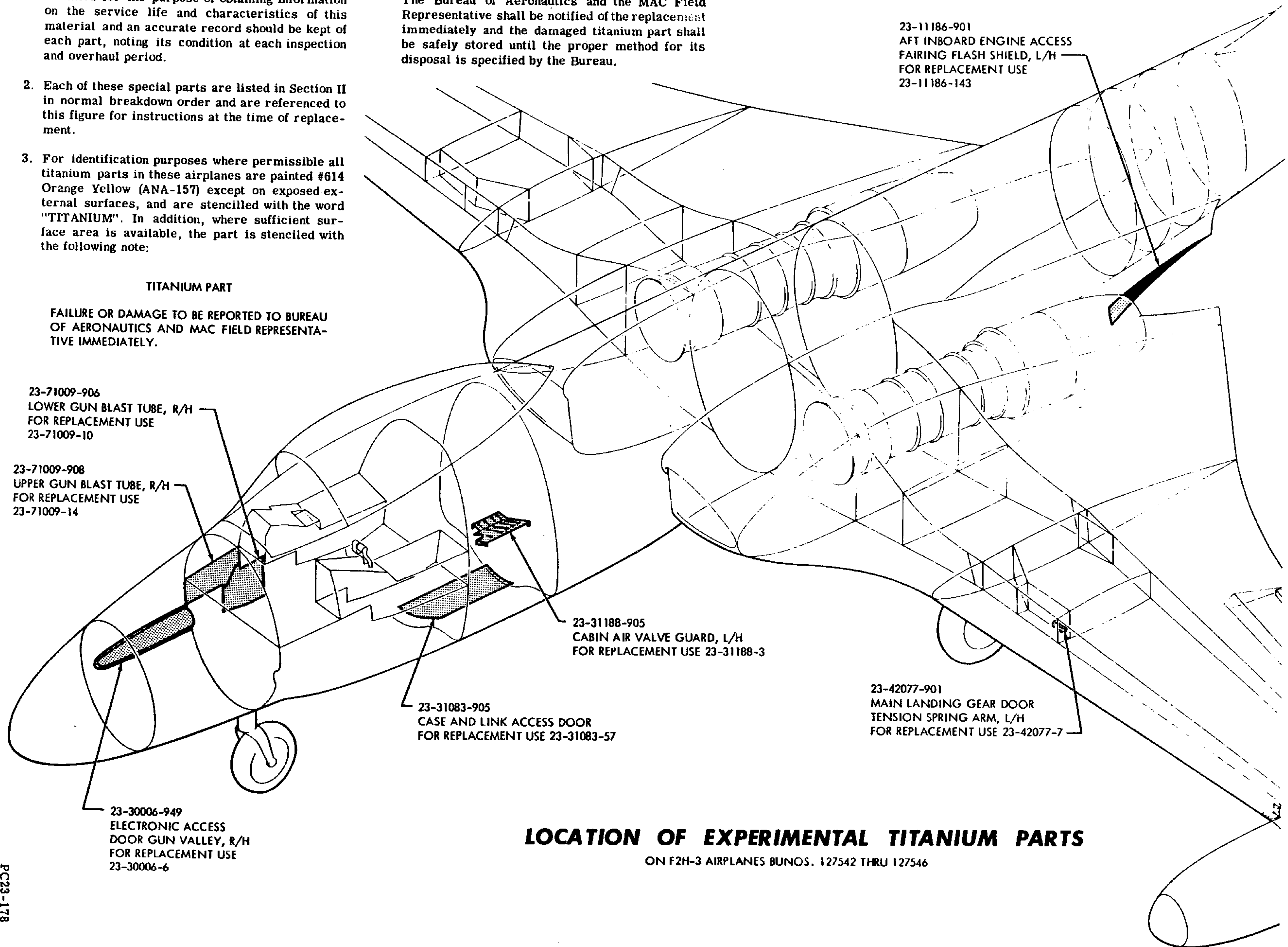
Figure 187 -- Search Radar System Index - F2H-4

1. Airplane serial numbers 127542 thru 127546 have incorporated into their structure seven detail parts, fabricated of titanium. These parts were installed for the purpose of obtaining information on the service life and characteristics of this material and an accurate record should be kept of each part, noting its condition at each inspection and overhaul period.
2. Each of these special parts are listed in Section II in normal breakdown order and are referenced to this figure for instructions at the time of replacement.
3. For identification purposes where permissible all titanium parts in these airplanes are painted #614 Orange Yellow (ANA-157) except on exposed external surfaces, and are stenciled with the word "TITANIUM". In addition, where sufficient surface area is available, the part is stenciled with the following note:

TITANIUM PART

FAILURE OR DAMAGE TO BE REPORTED TO BUREAU OF AERONAUTICS AND MAC FIELD REPRESENTATIVE IMMEDIATELY.

4. If replacement of any titanium part becomes necessary for any reason, it shall be replaced with the comparable production part as noted below. The Bureau of Aeronautics and the MAC Field Representative shall be notified of the replacement immediately and the damaged titanium part shall be safely stored until the proper method for its disposal is specified by the Bureau.



PC23-178