

~~Confidential~~  
*Confidential*

HISTORICAL



CLASSIFICATION CHANGED TO *Unclassified*  
BY AUTHORITY OF *Br. Act.*  
ON *10/13/55* BY *Dan M. Laine*

# XF5U-1

## ILLUSTRATED ASSEMBLY BREAKDOWN



0095

*Confidential*

THIS DOCUMENT CONTAINS INFORMATION AFFECTING  
THE NATIONAL DEFENSE OF THE UNITED STATES WITHIN  
THE MEANING OF THE ESPIONAGE ACT, 50 U.S.C. 31  
AND 32, AS AMENDED. ITS TRANSMISSION OR THE  
REVELATION OF ITS CONTENTS IN ANY MANNER TO AN  
UNAUTHORIZED PERSON IS PROHIBITED BY LAW.



# ILLUSTRATED ASSEMBLY BREAKDOWN

## Index

EXPLODED VIEW . . . . .	Page 2
MAJOR ASSEMBLIES . . . . .	3
POWER PLANT . . . . .	4, 5
COCKPIT PANELS . . . . .	6
COCKPIT . . . . .	7, 8
LEADING EDGE . . . . .	9
FRONT SECTION . . . . .	10, 11
AFT SECTION . . . . .	12
TRAILING EDGE . . . . .	13
PROP. NACELLE . . . . .	14
EMPENNAGE . . . . .	15
SKIN PANELS . . . . .	16



This booklet has been prepared by the Publications Section of the Engineering Department. It is designed to be used as a ready reference for major assembly numbers of the airplane by all departments of our company.

January 1, 1945.

F. N. Dickerman

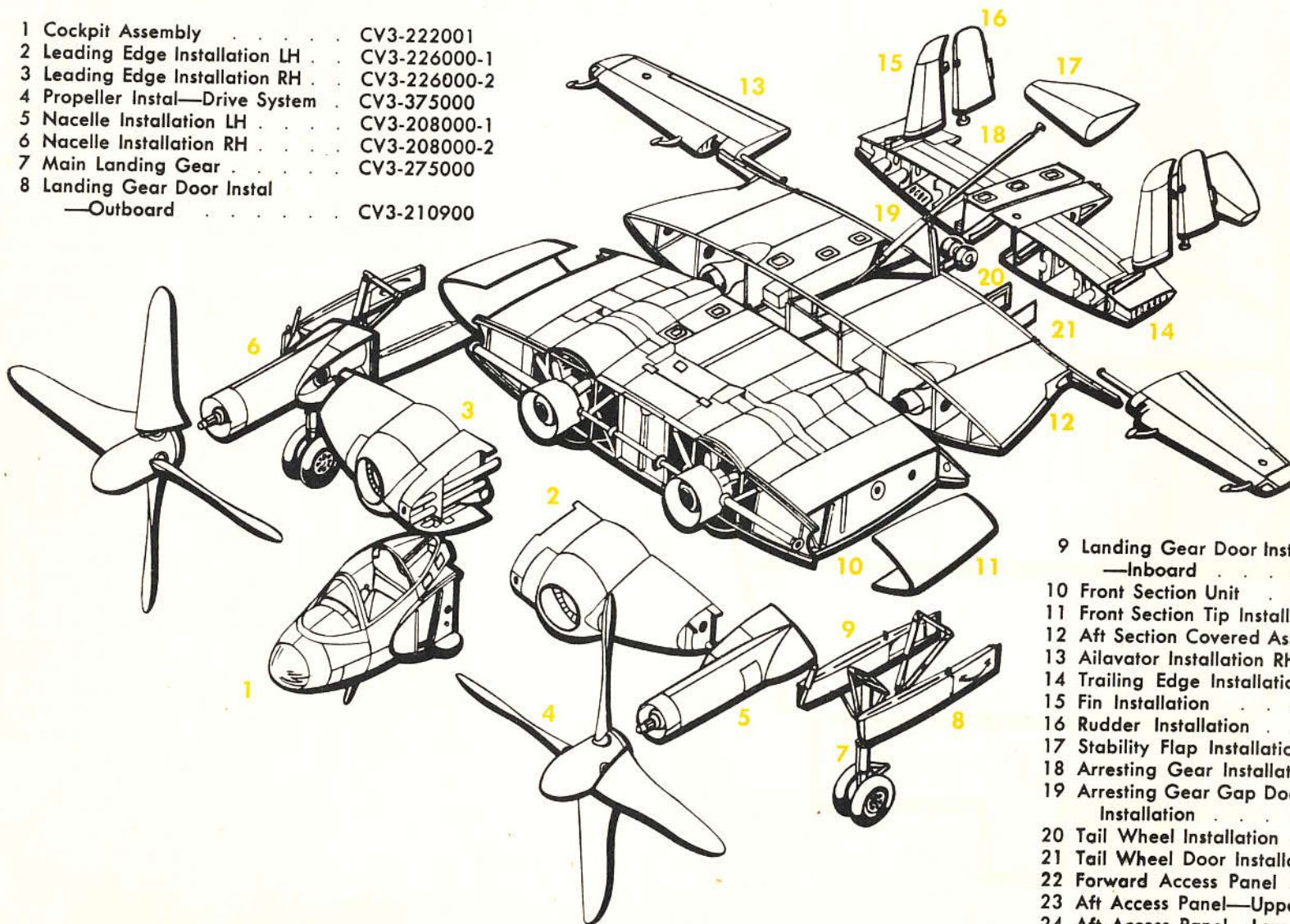
**CHANCE VOUGHT AIRCRAFT**  
DIVISION OF UNITED AIRCRAFT • STRATFORD, CONN.



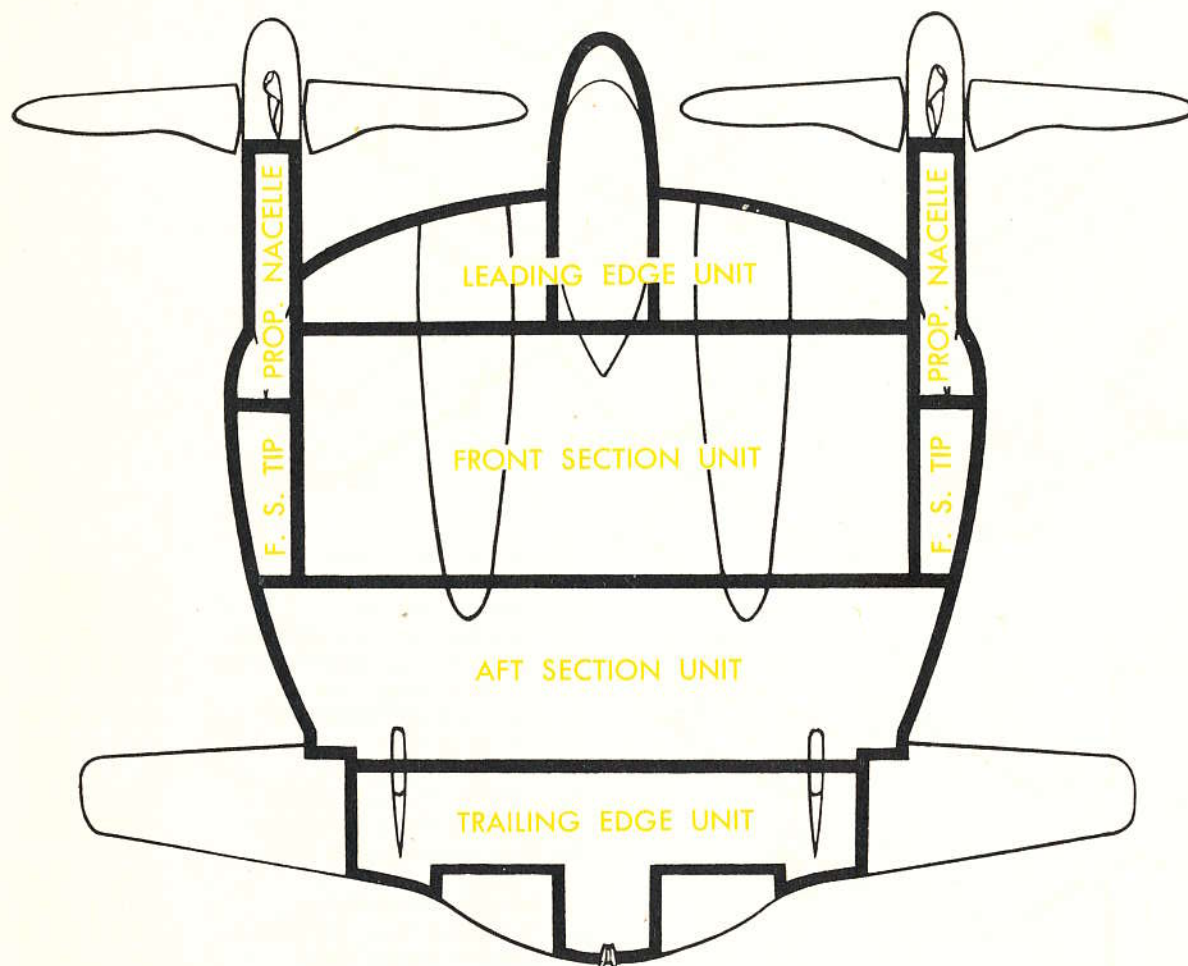


# EXPLODED VIEW

- |   |                                       |              |
|---|---------------------------------------|--------------|
| 1 | Cockpit Assembly                      | CV3-222001   |
| 2 | Leading Edge Installation LH          | CV3-226000-1 |
| 3 | Leading Edge Installation RH          | CV3-226000-2 |
| 4 | Propeller Instal—Drive System         | CV3-375000   |
| 5 | Nacelle Installation LH               | CV3-208000-1 |
| 6 | Nacelle Installation RH               | CV3-208000-2 |
| 7 | Main Landing Gear                     | CV3-275000   |
| 8 | Landing Gear Door Instal<br>—Outboard | CV3-210900   |



- |    |   |              |
|----|---|--------------|
| 9  | Landing Gear Door Instal<br>—Inboard    | CV3-210950   |
| 10 | Front Section Unit                      | CV3-201001   |
| 11 | Front Section Tip Installation          | CV3-207000   |
| 12 | Aft Section Covered Assembly            | CV3-232001   |
| 13 | Ailavator Installation RH               | CV3-109001-2 |
| 14 | Trailing Edge Installation              | CV3-236000   |
| 15 | Fin Installation                        | CV3-105001   |
| 16 | Rudder Installation                     | CV3-107001   |
| 17 | Stability Flap Installation             | CV3-238001   |
| 18 | Arresting Gear Installation             | CV3-420000   |
| 19 | Arresting Gear Gap Door<br>Installation | CV3-235170   |
| 20 | Tail Wheel Installation                 | CV3-276000   |
| 21 | Tail Wheel Door Installation            | CV3-239100   |
| 22 | Forward Access Panel                    | CV3-208900   |
| 23 | Aft Access Panel—Upper                  | CV3-208550   |
| 24 | Aft Access Panel—Lower                  | CV3-208570   |
| 25 | Forward Fairing Installation            | CV3-208250   |



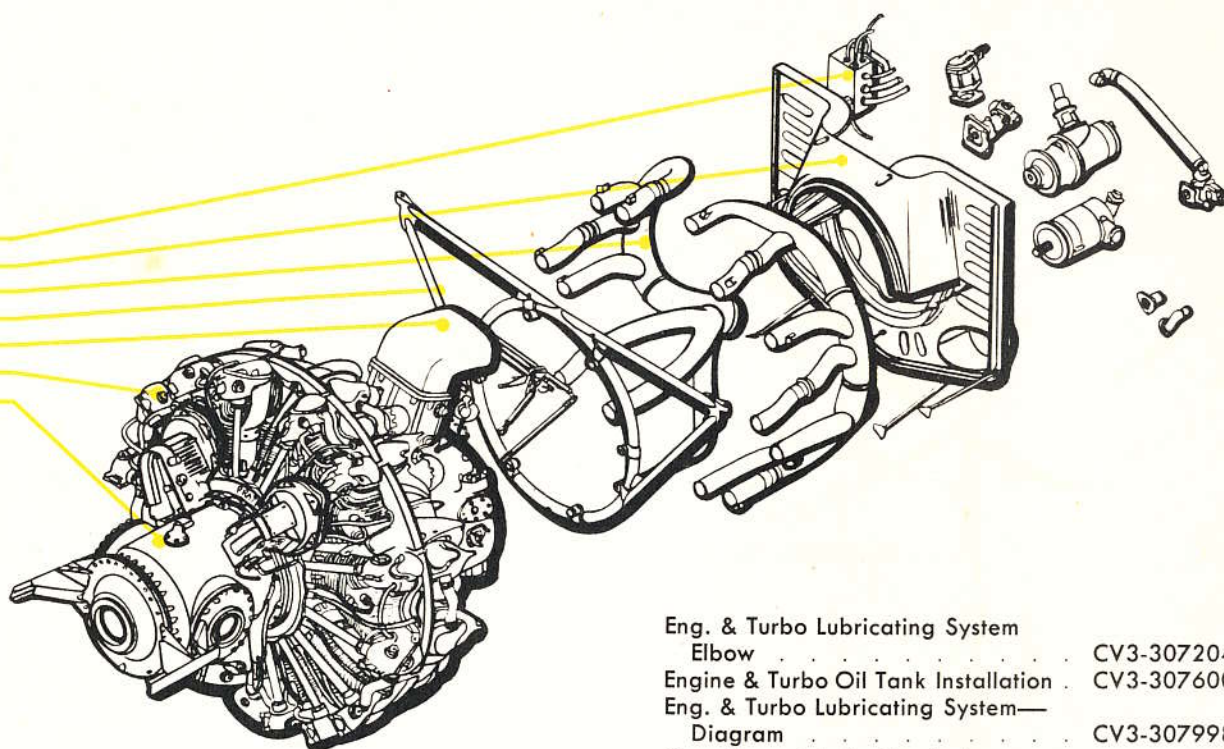
Body Erection . . . . .	CV3-200000
Body Assembly . . . . .	CV3-200001
Tail Contour Lines . . . . .	CV3-100201
Wing Contour Lines . . . . .	CV3-200201
Cockpit Contour Lines . . . . .	CV3-222201
Aft Section Unit . . . . .	CV3-231001
Droppable Tank Installation . . . . .	CV3-327000
Inboard Profile . . . . .	CV3-400000
Three Point Plan . . . . .	CV3-400350
Hoisting, Towing & Tie Down Diagram . . . . .	CV3-400775
Interior Decalcomanias . . . . .	CV3-400980
Exterior Decalcomanias . . . . .	CV3-400981
Jacking Diagram . . . . .	CV3-400998
General Arrangement—Fighter . . . . .	CV3-401000
Catapult Arrangement . . . . .	CV3-401002
Markings . . . . .	CV3-401003
Identification Subcontractors Plates . . . . .	CV3-401004
Sealing Diagram . . . . .	CV3-401005
Name Plate Diagram . . . . .	CV3-401006
Spotting Diagram . . . . .	CV3-401007
Lubricating Diagram . . . . .	CV3-401998
Surface Controls Rigging . . . . .	CV3-404999
Cockpit Illumination . . . . .	CV3-425997
Electrical System Rigging . . . . .	CV3-425999
Bomb Installation . . . . .	CV3-440500
50 Cal. Gun Installation . . . . .	CV3-452000
50 Cal. Blast Tube Adapter Installation . . . . .	CV3-452700
Gun Bore Sighting Diagram . . . . .	CV3-452998
Armament Installation . . . . .	CV3-452999
20 MM Gun Installation . . . . .	CV3-453000
Fixed Blast Tube Installation . . . . .	CV3-453600
20 MM Blast Tube Adapter Installation . . . . .	CV3-453700
Armor Arrangement . . . . .	CV3-459998
Hoisting Sling Installation . . . . .	CV3-460000
Radio Installation . . . . .	CV3-481100
Identification Installation . . . . .	CV3-481500
Radio Installation Rigging . . . . .	CV3-481999

## MAJOR ASSEMBLIES



## POWER PLANT

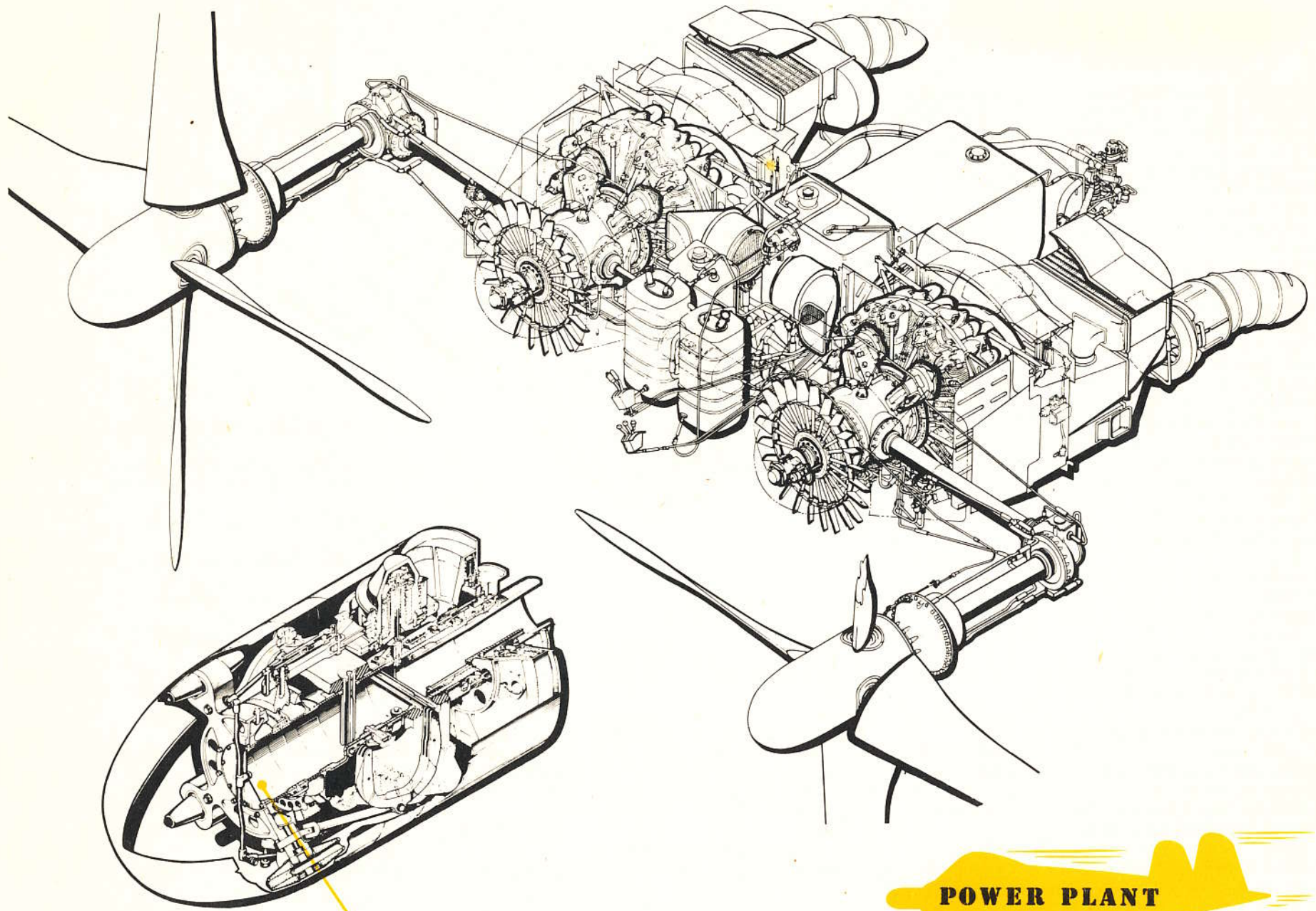
Removable Power Plant Instal . . . . .	CV3-300500
Removable Power Plant Unit LH . . . . .	CV3-300501-1
Removable Power Plant Unit RH . . . . .	CV3-300501-2
Engine Electrical Box Installation . . . . .	CV3-425410
Removable Diaphragm Installation . . . . .	CV3-302100
Exhaust Collector Installation . . . . .	CV3-315100
Rear Engine Mount Installation . . . . .	CV3-300600
Carburetor Air Intake Duct Instal . . . . .	CV3-302600
Engine . . . . .	P&W R-2000-2
Engine Gear Box Assembly LH . . . . .	CV3-317001-3
Engine Gear Box Assembly RH . . . . .	CV3-317001-4
Shaft Installation . . . . .	CV3-317001-5
Intercooler Cooling Air Flap Assembly . . . . .	CV3-210401
Engine Cooling Exit Air Flap Assembly . . . . .	CV3-210501
Inner Cowl Assembly . . . . .	CV3-226750
Intercooler Air Duct Installation . . . . .	CV3-227000
Inboard Engine Air Duct Installation . . . . .	CV3-227400
Power Plant Installation . . . . .	CV3-300000
Power Plant Lines . . . . .	CV3-300201
Engine Controls Instal—Power Plant . . . . .	CV3-301000
Propeller Pitch Control Installation . . . . .	CV3-301300
GB Oil Cooler Ent. Air Duct Instal . . . . .	CV3-302080
Engine Diaphragm Air Seal . . . . .	CV3-302160
Removable Diaphragm Support . . . . .	
Channel . . . . .	CV3-302161
Diaphragm Upper Remov. Shoulder . . . . .	
Instal. . . . .	CV3-302170
Diaphragm Lower Fixed Shoulder . . . . .	
Instal. . . . .	CV3-302200
Inb'd Fixed Diaphragm Instal.—LH . . . . .	CV3-302220
Inb'd Fixed Diaphragm Instal.—RH . . . . .	CV3-302320
Inb'd Eng. Baffle Seal Instal.— . . . . .	
—LH Fixed . . . . .	CV3-302270-1
—RH Fixed . . . . .	CV3-302270-2
Removable Engine Baffle Seal Instal. . . . .	CV3-302270-3
Intercooler Installation . . . . .	CV3-302300
Duct & Air Seal Panel Assembly . . . . .	CV3-302401
Turbo & Intercooler Air Duct Vane . . . . .	
Instal. . . . .	CV3-302420
Turbo & Intercooler Air Duct Instal. . . . .	CV3-302430



Intercooler Cooling Air Duct Instal. . . . .	CV3-302500
Intercooler to Carb. Air Duct Instal. . . . .	CV3-302530
Turbo to Intercooler Air Duct Instal. . . . .	CV3-302650
Generator Cooling Blast Tube Instal. . . . .	CV3-302680
Eng. Oil Cooler Entrance Air Duct . . . . .	
Assem. . . . .	CV3-302701
Engine Gear Box Fairing Installation . . . . .	CV3-302800
Intercooler Exit Air Duct Installation . . . . .	CV3-302900
Air Intake Blower Installation . . . . .	CV3-303000
Blower Drive Shaft Installation . . . . .	CV3-303070
Engine & Turbo Lubricating System . . . . .	CV3-307500
Eng. & Turbo Oil Cooler Support . . . . .	
Instal. . . . .	CV3-307150
Eng. & Turbo Lubricating System . . . . .	
Flange . . . . .	CV3-307202

Eng. & Turbo Lubricating System . . . . .	
Elbow . . . . .	CV3-307204
Engine & Turbo Oil Tank Installation . . . . .	CV3-307600
Eng. & Turbo Lubricating System— . . . . .	
Diagram . . . . .	CV3-307998
Gear Boxes Lubricating System— . . . . .	
Nacelle . . . . .	CV3-308000
Gear Boxes Oil Cooler Installation . . . . .	CV3-308100
Gear Boxes Oil Drain Installation . . . . .	CV3-308200
Gear Boxes Oil Tank Installation . . . . .	CV3-308300
Gear Boxes Oiling Diagram . . . . .	CV3-308996
Gear Boxes Lubricating System— . . . . .	
Diagram . . . . .	CV3-308998
Turbo Installation . . . . .	CV3-309000
Exhaust System Ducts Installation . . . . .	CV3-315200
Turbo Exhaust Tail Pipe Assembly . . . . .	CV3-315301
Gear Boxes Installation . . . . .	CV3-317001
Engine Gear Boxes Connecting Shaft . . . . .	CV3-317301
Fuel System Installation . . . . .	CV3-325000
Water Injection Tank Installation . . . . .	CV3-325500
Water Injection System . . . . .	CV3-325600
Main Fuel Tank Pressurization System . . . . .	CV3-325900
Fuel System—Diagram . . . . .	CV3-325998
Self-Sealing Main Fuel Tank Instal. . . . .	CV3-326000

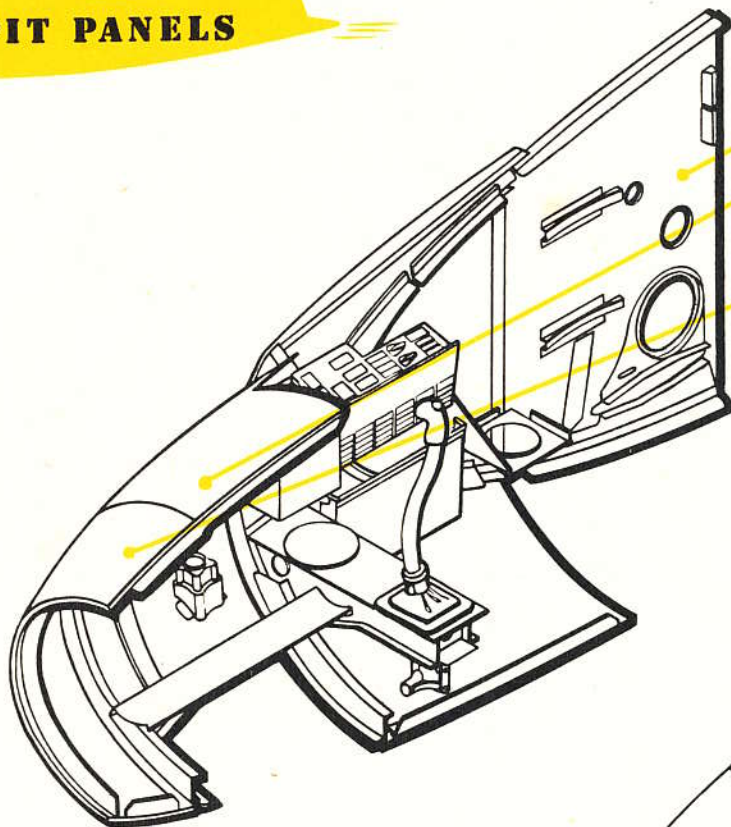




CV3-378999 Hub Assembly—Prop. Instal.

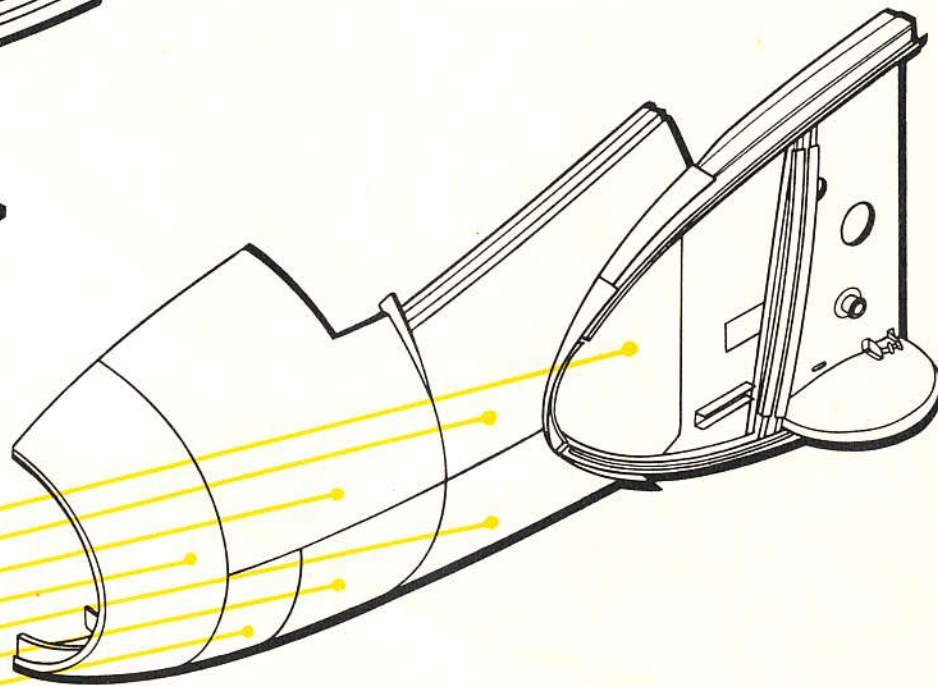
**POWER PLANT**

## COCKPIT PANELS

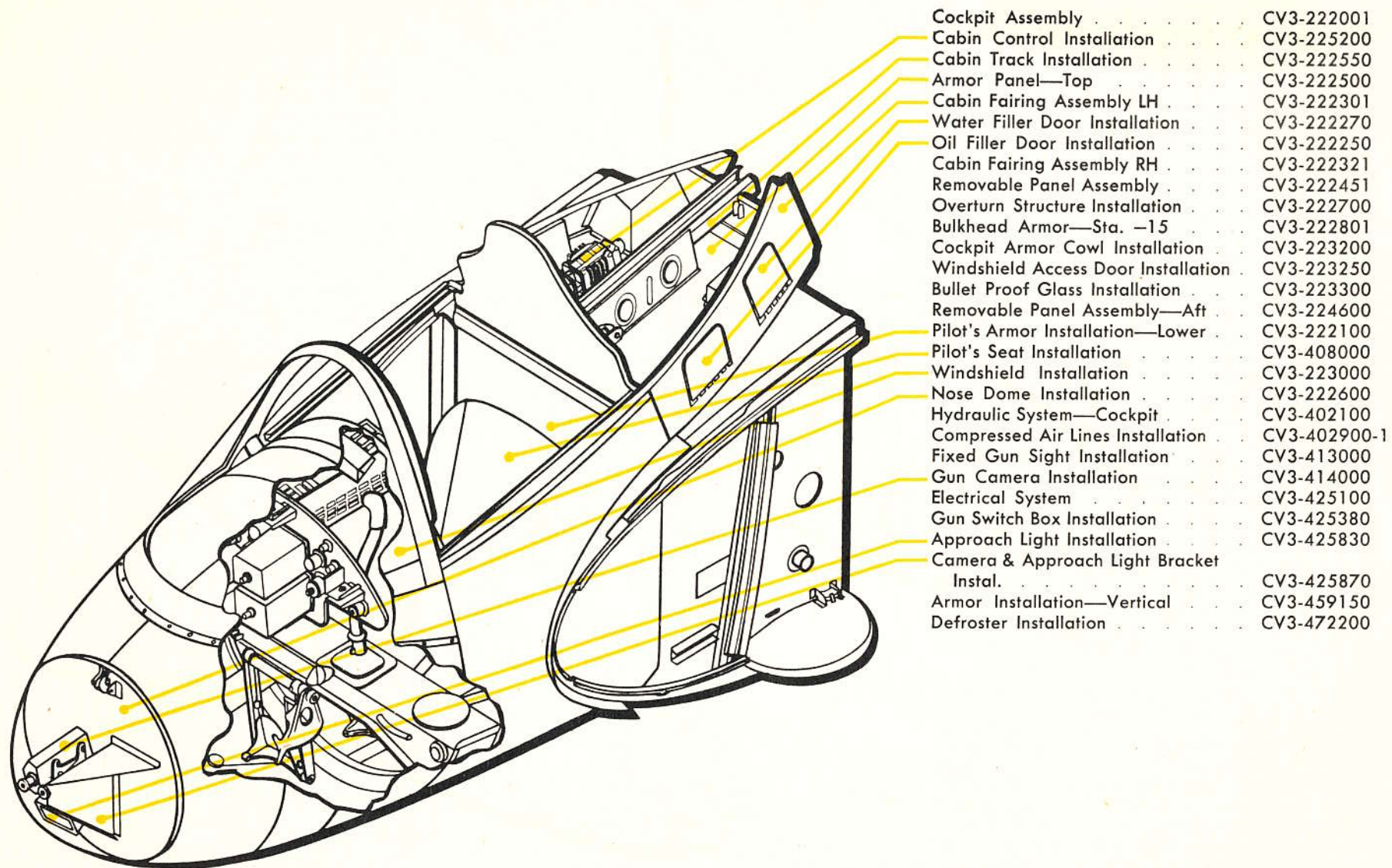


Left Hand Panel . . . . .	CV3-224000
Panel Assembly—Cockpit LH . . . . .	CV3-224001
Rib 17.75 Installation LH . . . . .	CV3-228600
Panel Assembly—Sta. 18.8 to 51.5 . . . . .	CV3-224531
Armor Panel—Sta. -5 to 18.8 . . . . .	CV3-224301
Armor Panel—Sta. -15 to -5 . . . . .	CV3-224101
Panel Assembly—Sta. 18.8 to 49 . . . . .	CV3-224501
Panel Assembly—Sta. 2.5 to 18.8 . . . . .	CV3-224401
Armor Panel—Sta. -5 to 2.5 . . . . .	CV3-224201
Control Panel Installation . . . . .	CV3-224650
Track Installation—Cabin . . . . .	CV3-224800-L
Electrical System Support Instal. . . . .	CV3-425200-2

Right Hand Panel . . . . .	CV3-224050
Panel Assembly—Cockpit RH . . . . .	CV3-224051
Rib 17.75 Installation RH . . . . .	CV3-228700
Armor Panel—Sta. -5 to 2.5 . . . . .	CV3-224251
Armor Panel—Sta. -5 to 18.8 . . . . .	CV3-224351
Panel Assembly—Sta. 2.5 to 18.8 . . . . .	CV3-224451
Panel Assembly—Sta. 18.8 to 49 . . . . .	CV3-224551
Panel Assembly—Sta. 18.8 to 51.5 . . . . .	CV3-224581
Track Installation—Cabin . . . . .	CV3-224800-R
Armor Panel—Sta. -15 to -5 . . . . .	CV3-224151





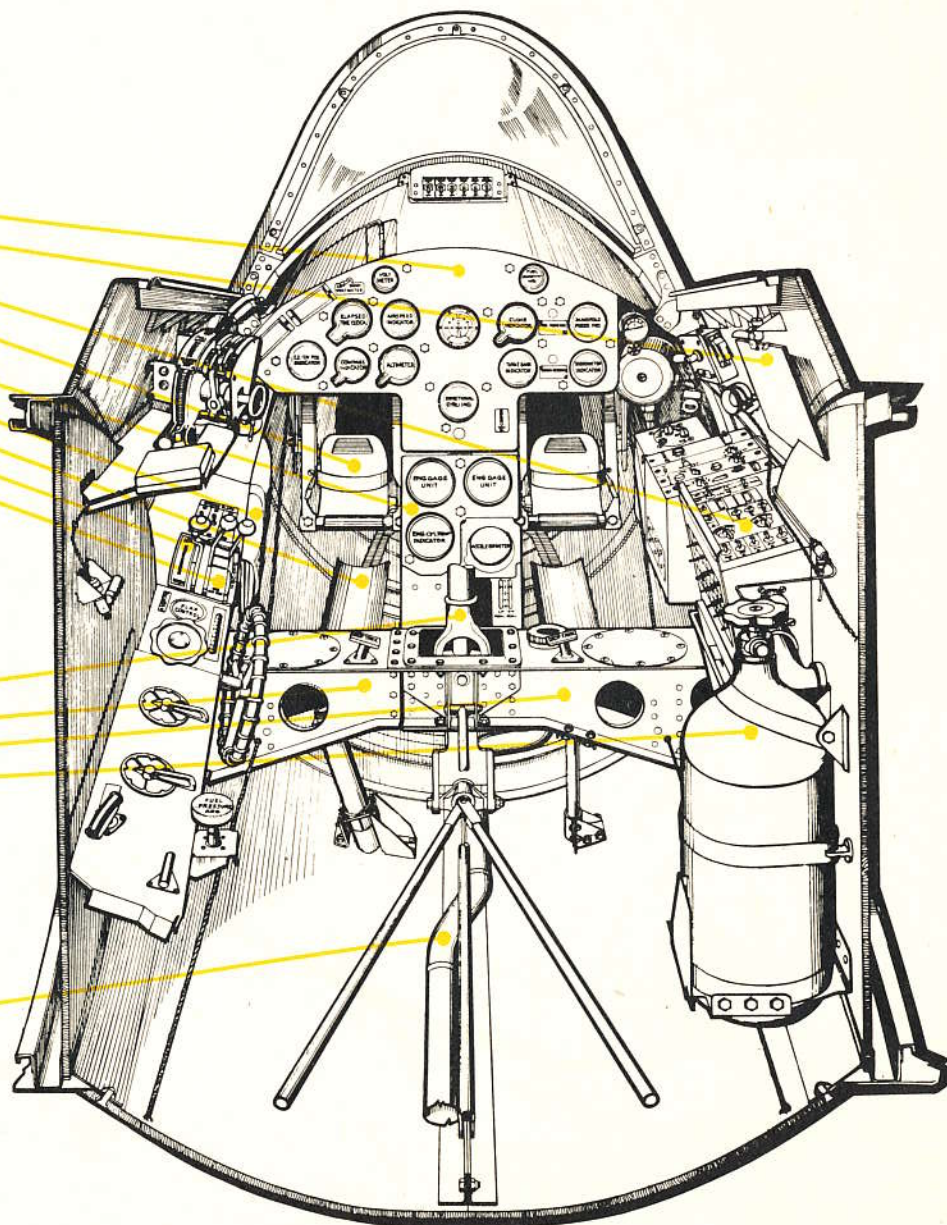


**COCKPIT**

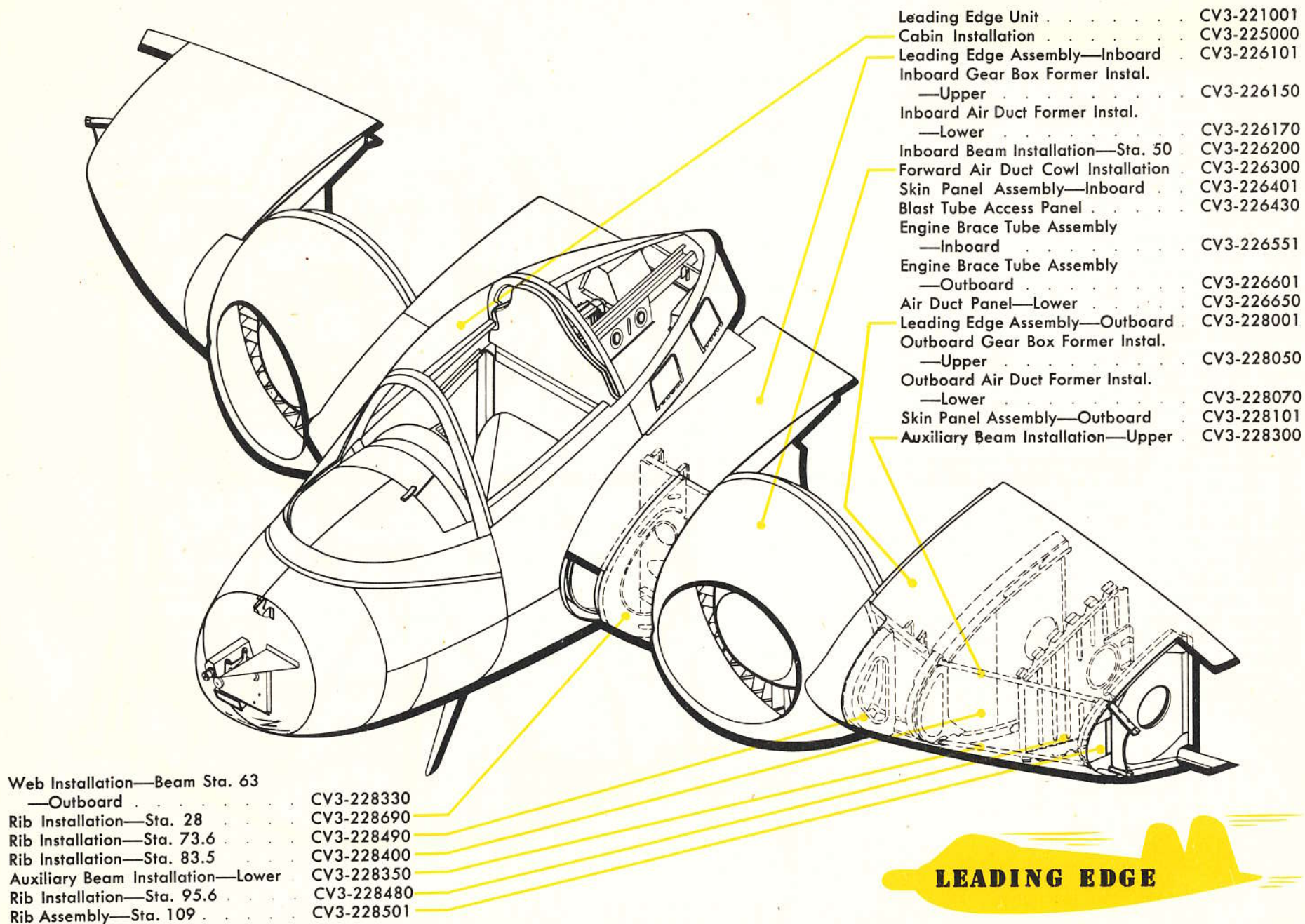


# COCKPIT

Cockpit General Arrangement . . .	CV3-200999
Main Instrument Board Installation . . .	CV3-411000
Writing Pad Installation . . .	CV3-400075
Electrical System Panel . . .	CV3-425200
Pedal & Brake Installation . . .	CV3-404000
Center Aux. Board Supporting Bracket Installation . . .	CV3-411100
Map Case Installation . . .	CV3-400300
Foot Trough Installation . . .	CV3-224900
Throttle Control Installation . . .	CV3-301200
Mixture Control Installation . . .	CV3-301100
Tow Target Installation . . .	CV3-400200
Chartboard Holder Installation . . .	CV3-400250
Relief Tube Installation . . .	CV3-400500
Head Rest Installation . . .	CV3-400550
Arm Rest Installation . . .	CV3-400580
Pilot's Seat Equipment . . .	CV3-400600
Shoulder Harness Release Installation . . .	CV3-400671
Cockpit Cover Installation . . .	CV3-400700
Compressed Air Cylinder Installation . . .	CV3-402090
Ailavator Control—Stick & Rod Instal. . .	CV3-405000
Control Stick Support Installation LH . . .	CV3-224700
Control Stick Support Installation RH . . .	CV3-224750
Oxygen Equipment Installation . . .	CV3-450000
Pedal & Support Assem.— Brake & Rudder . . .	CV3-404010
Fixed Equipment Instrument Installation . . .	CV3-411998
Electrical System Box Installation . . .	CV3-425330
Oxygen System Support Installation . . .	CV3-450150
Oxygen Cylinder Regulator Support Installation . . .	CV3-450160
Fire Extinguisher Installation . . .	CV3-455000
Ventilator Installation . . .	CV3-472000



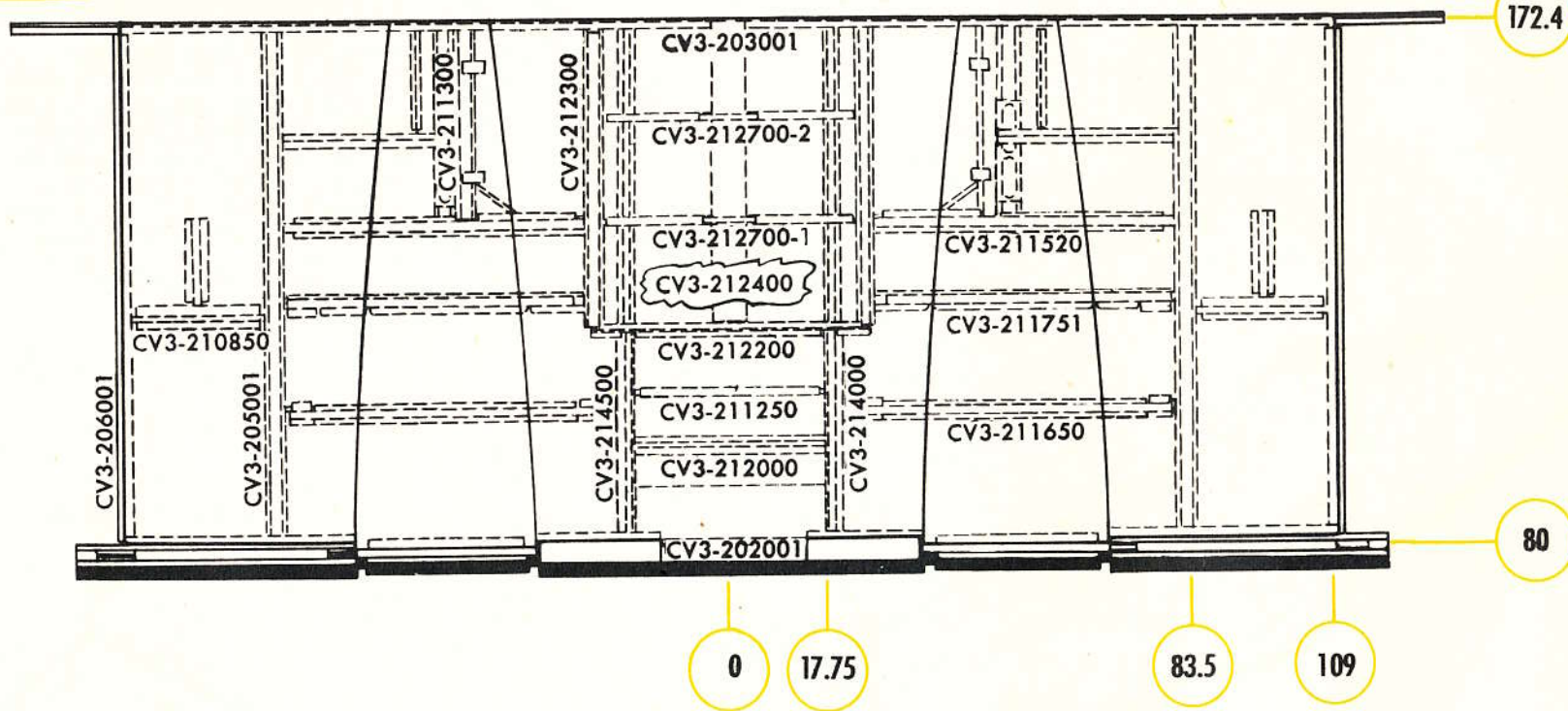




**LEADING EDGE**



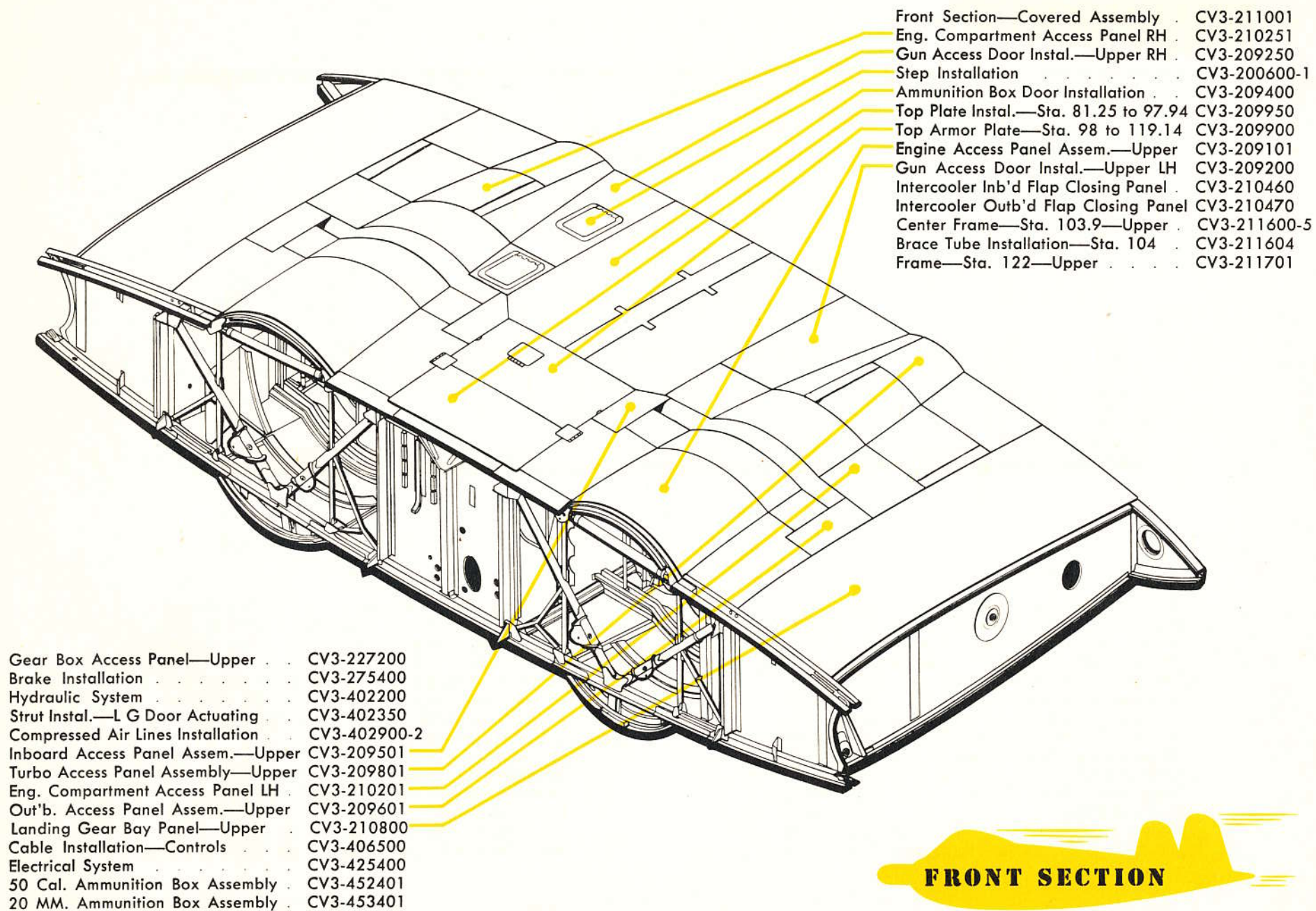
# FRONT SECTION



Engine Access Panel Assembly—Lower CV3-209161  
 Engine Access Panel Assembly—Upper CV3-209171  
 Aft Gun Access Door Instal.—Lower LH CV3-209300  
 Aft Gun Access Door Instal.—Lower RH CV3-209320  
 Fwd. Gun Access Panel—Lower LH CV3-209351  
 Fwd. Gun Access Panel—Lower RH CV3-209371  
 Ammunition Door Support Installation CV3-209450  
 Inboard Access Panel—Lower LH CV3-209550  
 Inboard Access Panel—Lower RH CV3-209570  
 Outboard Access Panel—Lower CV3-209650  
 Turbo Access Panel—Lower CV3-209700  
 Fuel Tank Panel CV3-210300  
 Tie Rod Installation—Beam Sta. 150.7 CV3-210450  
 Eng. Cooling Air Exit Flaps Sup't Instal. CV3-210500

Oil Cooler Flap Installation . . . . CV3-210600  
 Center Section Skeleton Installation . CV3-211200  
 Frame—Sta. 53.8—Lower . . . . CV3-211350  
 Frame—Sta. 150.7—Upper . . . . CV3-211400  
 Interframe Tube Instal.—Sta. 136.45 CV3-211530  
 Frame—Sta. 136.45—Lower . . . . CV3-211550  
 Upper Frame Instal.—Sta. 103.9 Inb'd CV3-211600-6  
 Upper Frame Instal.—Sta. 103.9  
 —Outb'd . . . . CV3-211600-7  
 Interframe Tube Instal.—Sta. 104 . CV3-211658  
 Interframe Tube Instal.—Sta. 122 . CV3-211762  
 Pylon Installation . . . . CV3-440750  
 Amm. Feed Chute Sup't—50 Cal. LH CV3-452530  
 Amm. Feed Chute Sup't—50 Cal. RH CV3-452540





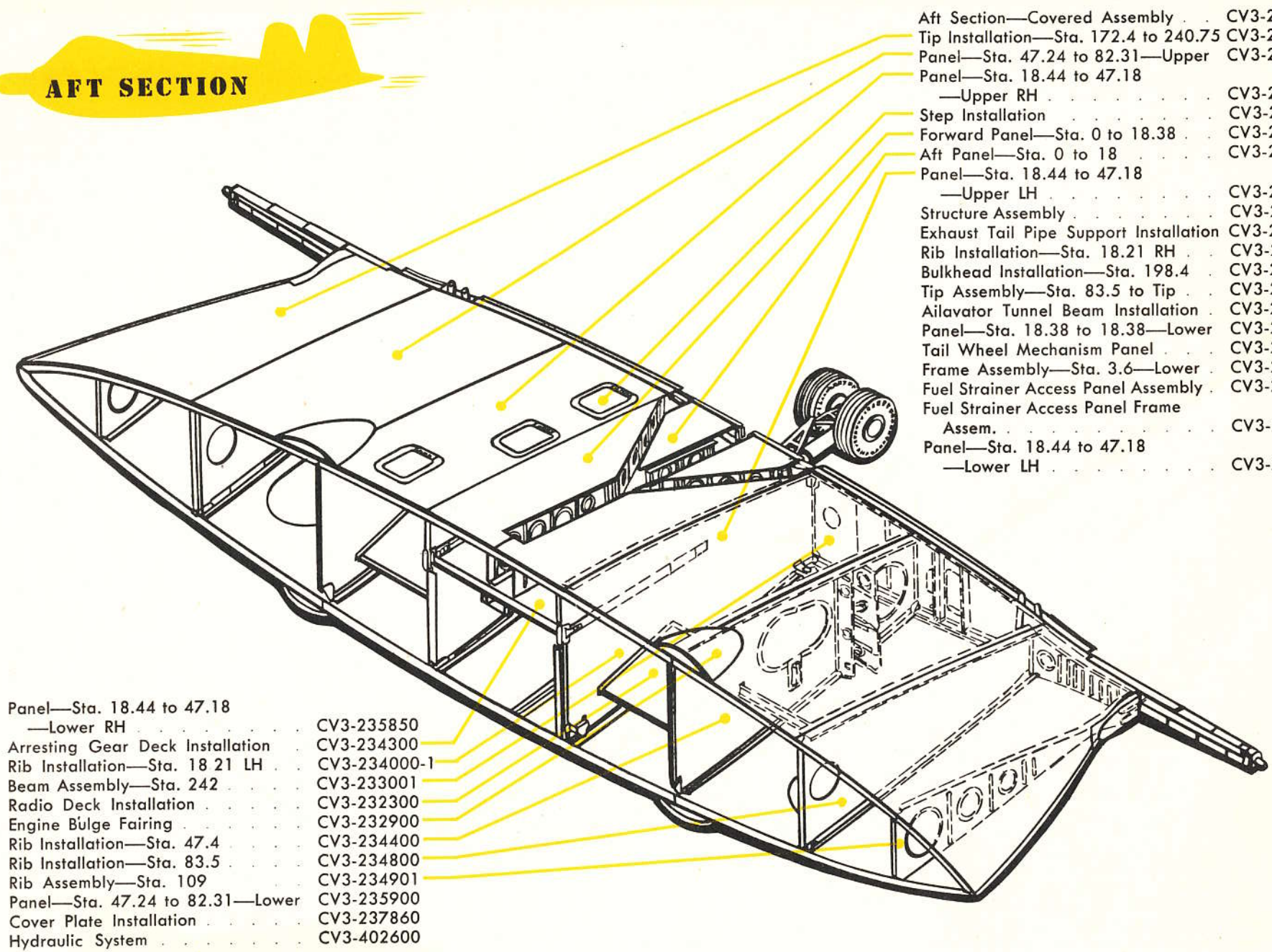
Front Section—Covered Assembly . CV3-211001  
 Eng. Compartment Access Panel RH . CV3-210251  
 Gun Access Door Instal.—Upper RH . CV3-209250  
 Step Installation . CV3-200600-1  
 Ammunition Box Door Installation . CV3-209400  
 Top Plate Instal.—Sta. 81.25 to 97.94 . CV3-209950  
 Top Armor Plate—Sta. 98 to 119.14 . CV3-209900  
 Engine Access Panel Assem.—Upper . CV3-209101  
 Gun Access Door Instal.—Upper LH . CV3-209200  
 Intercooler Inb'd Flap Closing Panel . CV3-210460  
 Intercooler Outb'd Flap Closing Panel . CV3-210470  
 Center Frame—Sta. 103.9—Upper . CV3-211600-5  
 Brace Tube Installation—Sta. 104 . CV3-211604  
 Frame—Sta. 122—Upper . CV3-211701

Gear Box Access Panel—Upper . CV3-227200  
 Brake Installation . CV3-275400  
 Hydraulic System . CV3-402200  
 Strut Instal.—L G Door Actuating . CV3-402350  
 Compressed Air Lines Installation . CV3-402900-2  
 Inboard Access Panel Assem.—Upper . CV3-209501  
 Turbo Access Panel Assembly—Upper . CV3-209801  
 Eng. Compartment Access Panel LH . CV3-210201  
 Out'b. Access Panel Assem.—Upper . CV3-209601  
 Landing Gear Bay Panel—Upper . CV3-210800  
 Cable Installation—Controls . CV3-406500  
 Electrical System . CV3-425400  
 50 Cal. Ammunition Box Assembly . CV3-452401  
 20 MM. Ammunition Box Assembly . CV3-453401

**FRONT SECTION**



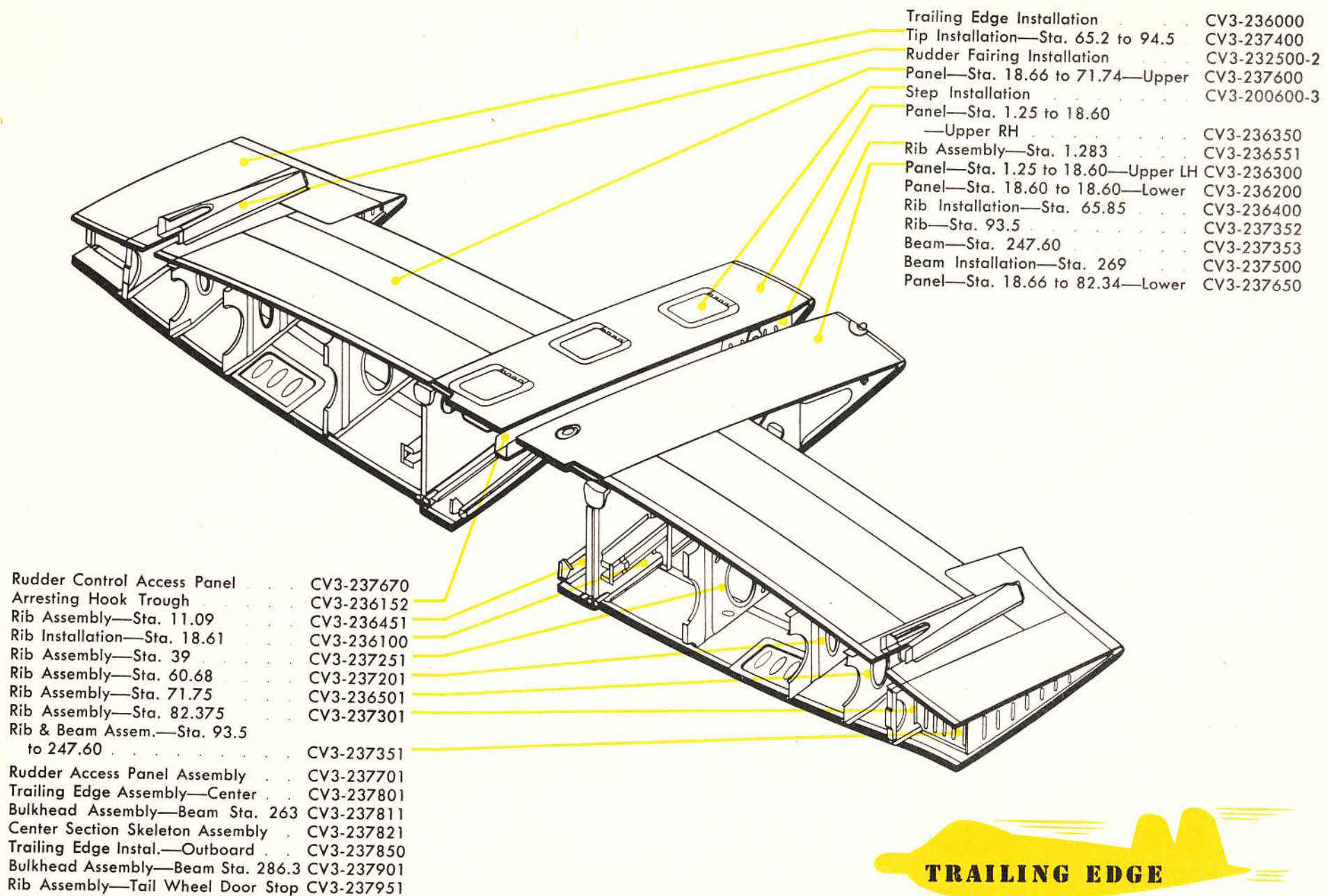
# AFT SECTION



- Aft Section—Covered Assembly . . . CV3-232001
- Tip Installation—Sta. 172.4 to 240.75 CV3-235400
- Panel—Sta. 47.24 to 82.31—Upper CV3-235300
- Panel—Sta. 18.44 to 47.18
- Upper RH . . . . . CV3-235700
- Step Installation . . . . . CV3-200600-2
- Forward Panel—Sta. 0 to 18.38 . . . CV3-235100
- Aft Panel—Sta. 0 to 18 . . . . . CV3-235150
- Panel—Sta. 18.44 to 47.18
- Upper LH . . . . . CV3-235200
- Structure Assembly . . . . . CV3-232001-1
- Exhaust Tail Pipe Support Installation CV3-232100
- Rib Installation—Sta. 18.21 RH . . . CV3-234000-2
- Bulkhead Installation—Sta. 198.4 . . CV3-234350
- Tip Assembly—Sta. 83.5 to Tip . . . CV3-235401
- Ailavator Tunnel Beam Installation . CV3-235450
- Panel—Sta. 18.38 to 18.38—Lower CV3-235600
- Tail Wheel Mechanism Panel . . . . CV3-235620
- Frame Assembly—Sta. 3.6—Lower . . CV3-235651
- Fuel Strainer Access Panel Assembly . CV3-235671
- Fuel Strainer Access Panel Frame
- Assem. . . . . CV3-235680
- Panel—Sta. 18.44 to 47.18
- Lower LH . . . . . CV3-235800

- Panel—Sta. 18.44 to 47.18
- Lower RH . . . . . CV3-235850
- Arresting Gear Deck Installation . . CV3-234300
- Rib Installation—Sta. 18.21 LH . . . CV3-234000-1
- Beam Assembly—Sta. 242 . . . . . CV3-233001
- Radio Deck Installation . . . . . CV3-232300
- Engine Bulge Fairing . . . . . CV3-232900
- Rib Installation—Sta. 47.4 . . . . . CV3-234400
- Rib Installation—Sta. 83.5 . . . . . CV3-234800
- Rib Assembly—Sta. 109 . . . . . CV3-234901
- Panel—Sta. 47.24 to 82.31—Lower CV3-235900
- Cover Plate Installation . . . . . CV3-237860
- Hydraulic System . . . . . CV3-402600

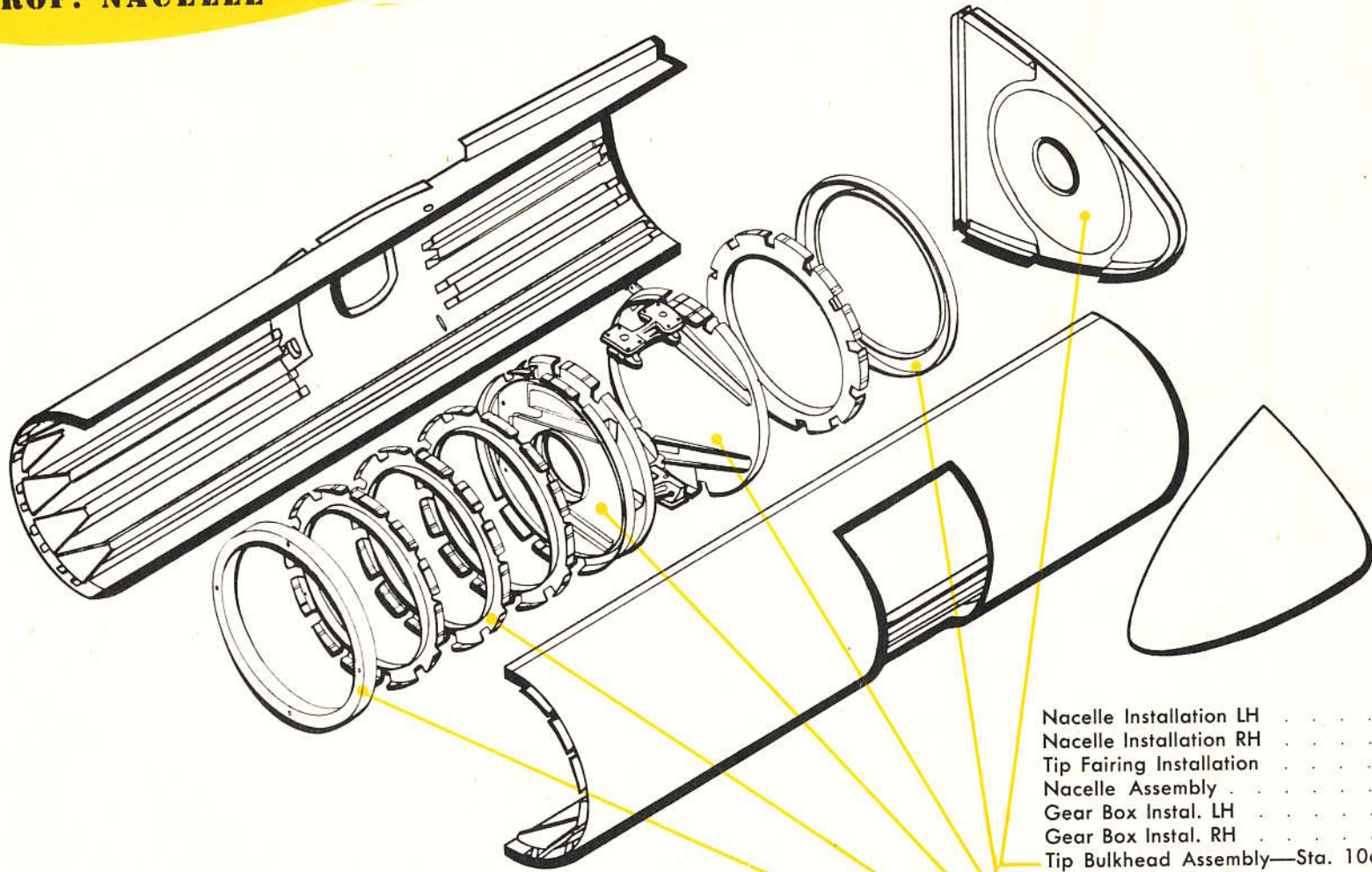




**TRAILING EDGE**

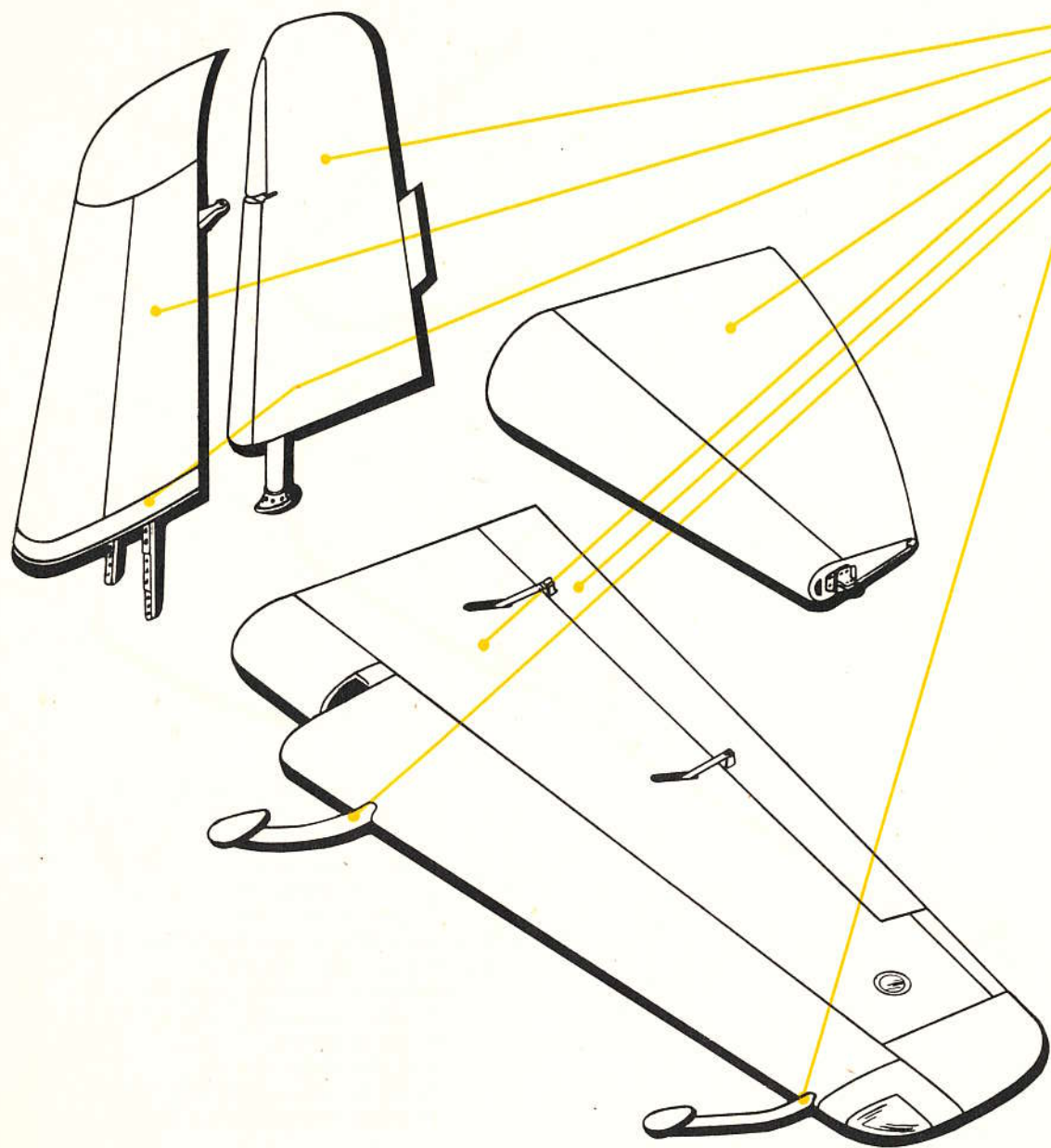


# PROP. NACELLE



Nacelle Installation LH . . . . .	CV3-208000-1
Nacelle Installation RH . . . . .	CV3-208000-2
Tip Fairing Installation . . . . .	CV3-208080
Nacelle Assembly . . . . .	CV3-208001
Gear Box Instal. LH . . . . .	CV3-317001-1
Gear Box Instal. RH . . . . .	CV3-317001-2
Tip Bulkhead Assembly—Sta. 106.14 . . . . .	CV3-207101
Frame—Sta. 106.14 . . . . .	CV3-208201
Bulkhead Assembly—Sta. 80 . . . . .	CV3-208150
Bulkhead Assembly—Sta. 62.5 . . . . .	CV3-208100
Frame Assembly . . . . .	CV3-208002
Ring Assembly—Sta. 24 . . . . .	CV3-208020
Panel Assembly—Gear Box Access . . . . .	CV3-208501
Propeller Drive Electrical System . . . . .	CV3-425750





Rudder Installation . . . . .	CV3-107001
Fin Installation . . . . .	CV3-105001
Fin Fairing Installation . . . . .	CV3-232500-1
Stability Flap Installation . . . . .	CV3-238001
Ailavator Installation . . . . .	CV3-109001
Tab Assembly . . . . .	CV3-109501
Balance Assembly—Inboard . . . . .	CV3-109821
Balance Assembly—Outboard . . . . .	CV3-109811
Ailavator Tab Control Installation . . . . .	CV3-406800

**EMPENNAGE**



## SKIN PANELS

