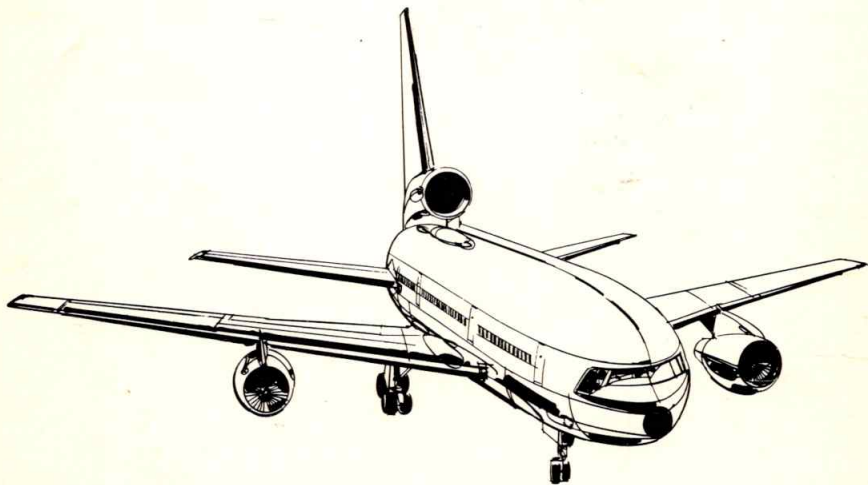
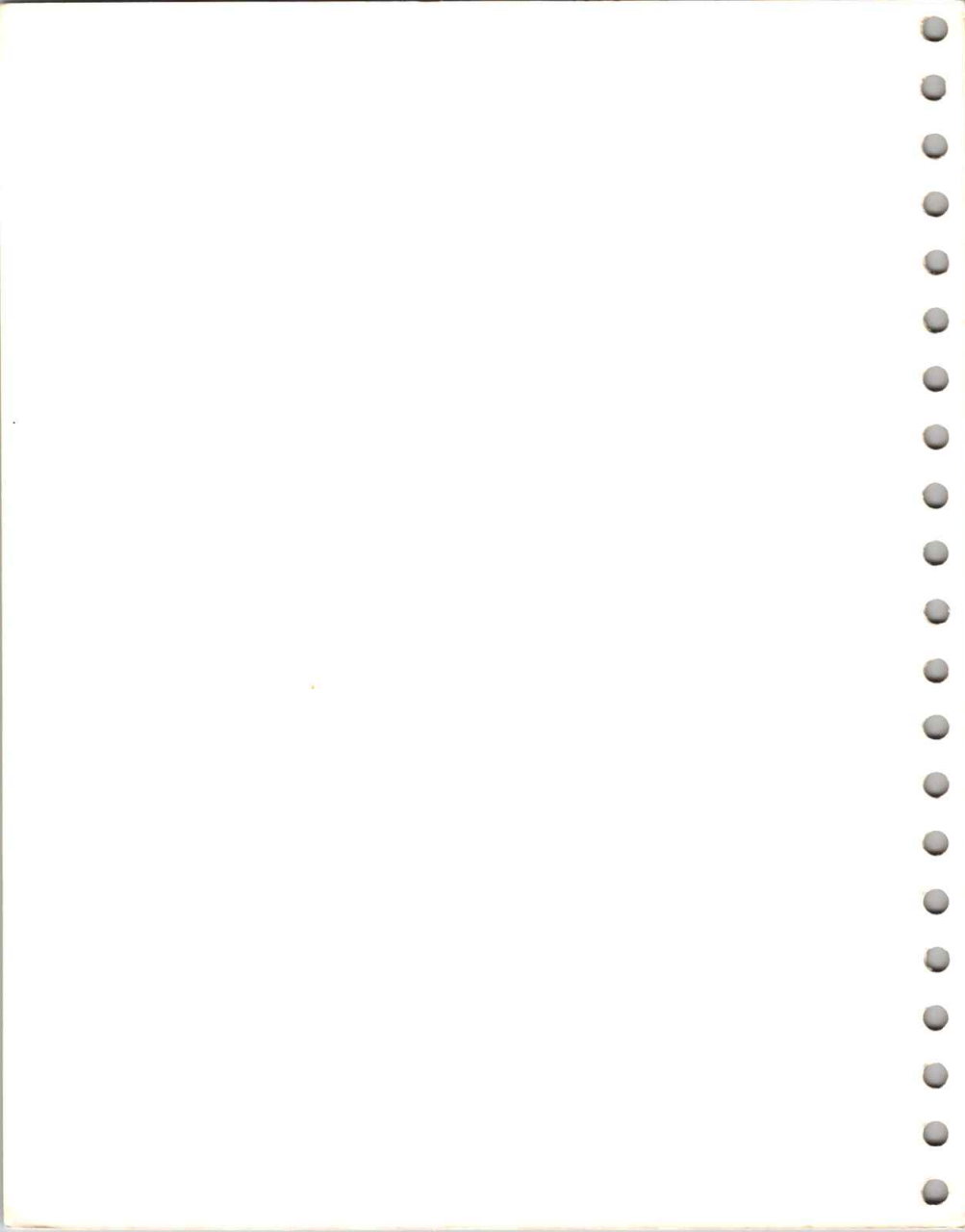


TriStar
L1011

L-1011 ACCESS GUIDE



LOCKHEED - CALIFORNIA COMPANY





TriStar
L1011

ACCESS GUIDE

This book is for training and general reference purposes only. Consult the L-1011 Maintenance Manual for the latest information, data, tolerances, and procedures

© 1978

Lockheed Aircraft Corporation
Burbank, California

ALL RIGHTS RESERVED

Prepared by:
Customer Training Department
Lockheed-California Company
Burbank, California

P.S.C. 78-30921
MARCH 1978



COMPONENT ACCESS FIGURES

TABLE OF CONTENTS

Subject	Access Figure Number
Dimensions and Areas	2-5
Principal Dimensions	6-13
Station Diagrams	14-22
Zoning Diagrams	23-33
Exterior Access Doors and Removable Panels	34-59
Interior Access Doors and Removable Panels	60-103

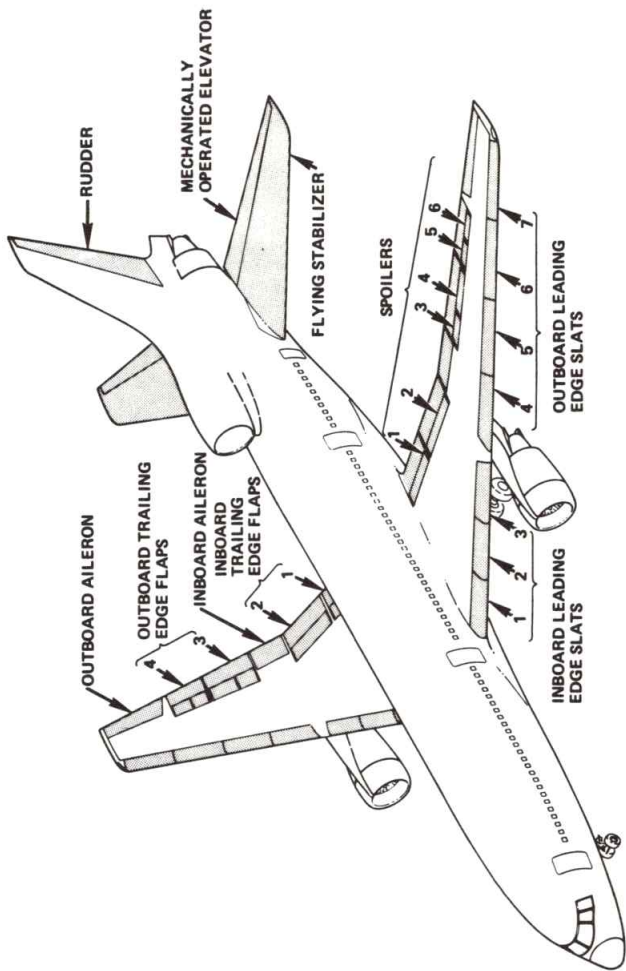
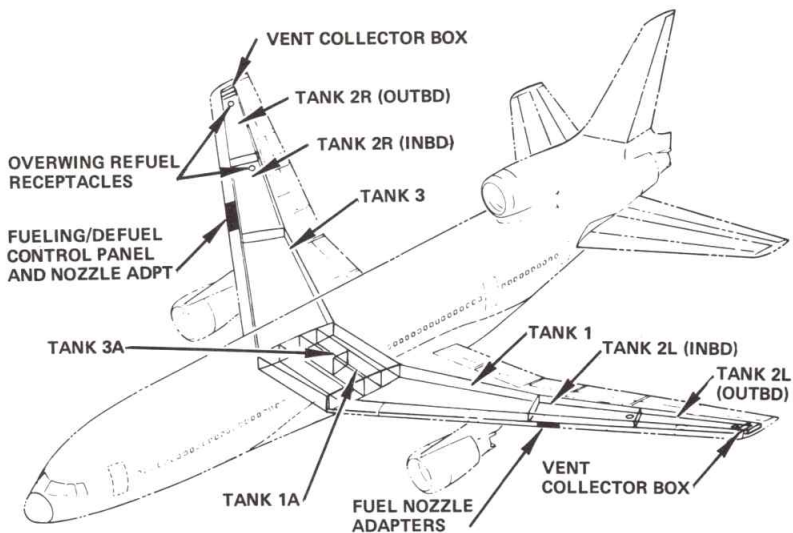


FIGURE 2



CAPACITIES

2L OUTBD	3,864 KG
2L INBD	7,795 KG
1	24,605 KG
1A	4,090 KG
3	24,605 KG
3A	4,090 KG
2R INBD	7,795 KG
2R OUTBD	3,864 KG
TOTAL	80,708 KG

1 KG = 2.2 LBS

FUEL TANK LAYOUT

FIGURE 3

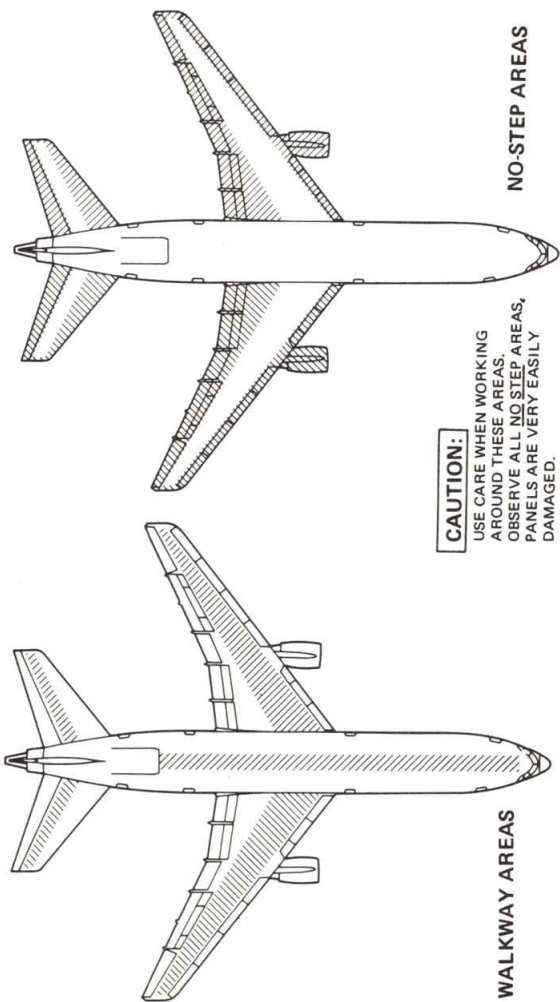
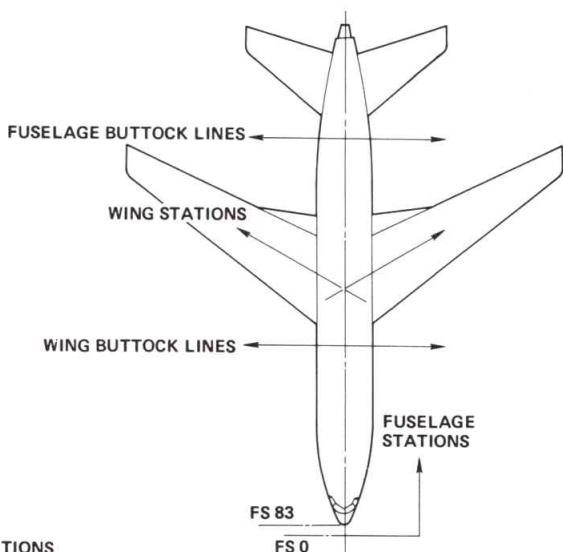
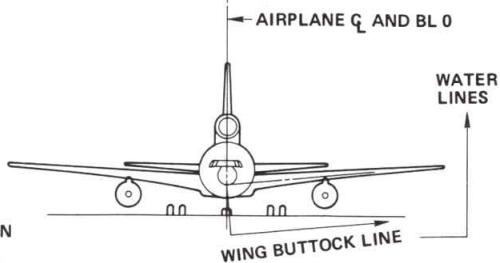


FIGURE 4



ABBREVIATIONS AND DEFINITIONS

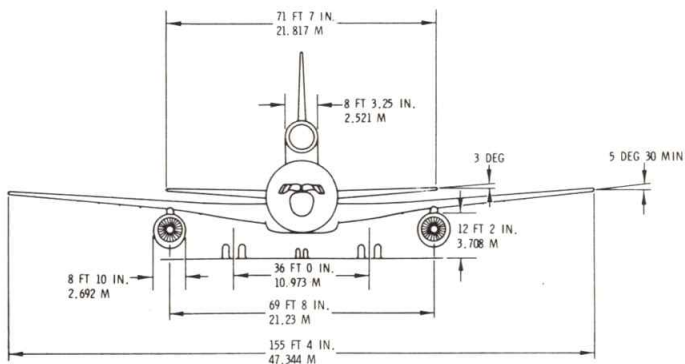
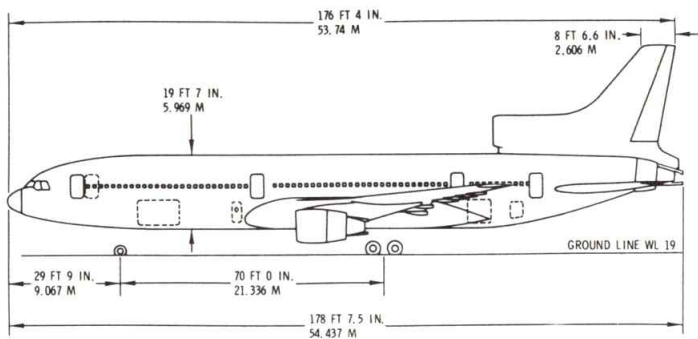
FS	FUSELAGE STATION
BL	BUTTOCK LINE
WL	WATER LINE
CL	CENTER LINE
WS	WING STATION
OWS	OUTER WING STATION
IWS	INNER WING STATION
WBL	WING BUTTOCK LINE
NWL	NACELLE WATER LINE
VSS	VERTICAL STABILIZER STATION
RS	RUDDER STATION
HSS	HORIZONTAL STABILIZER STATION
ES	ELEVATOR STATION
HSBL	HORIZONTAL STABILIZER BUTTOCK LINE
LES	LEADING EDGE STATION
VLES	VERTICAL LEADING EDGE STATION



HH 4587
MP1011-3-011

ABBREVIATIONS & DEFINITIONS

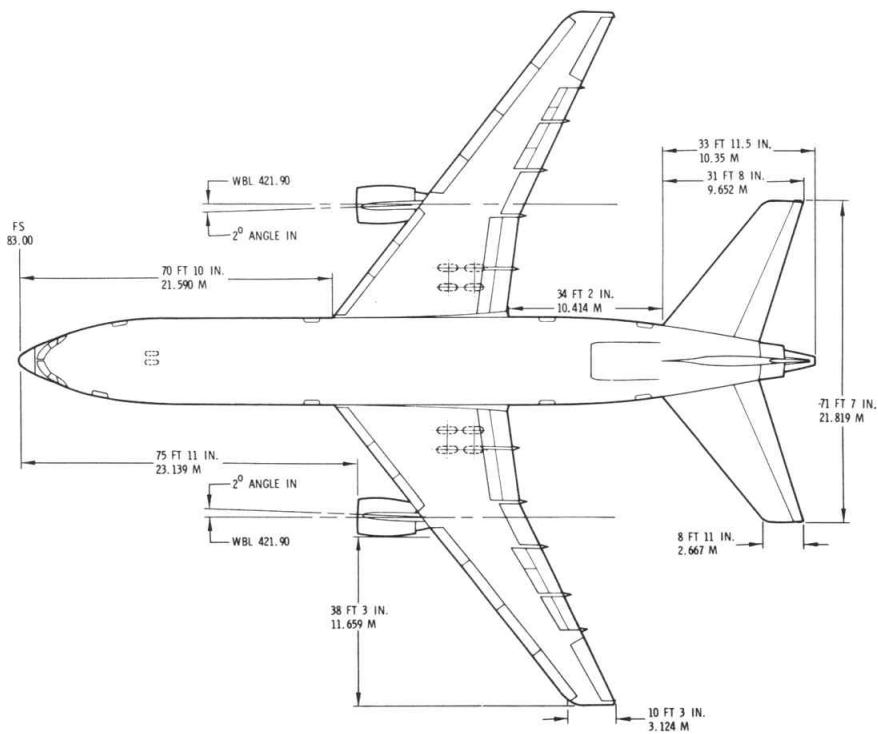
FIGURE 5



M1-9500-06-139

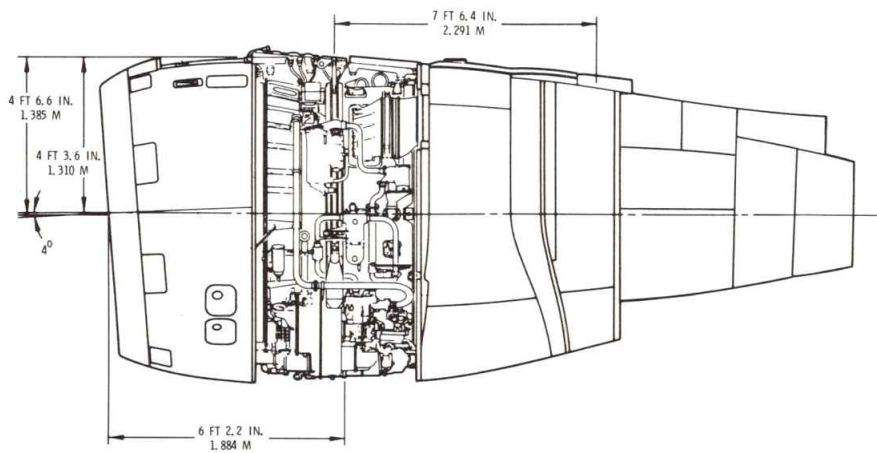
AIRCRAFT DIMENSIONS - FRONT AND SIDE VIEW

FIGURE 6



AIRCRAFT DIMENSIONS—PLAN VIEW

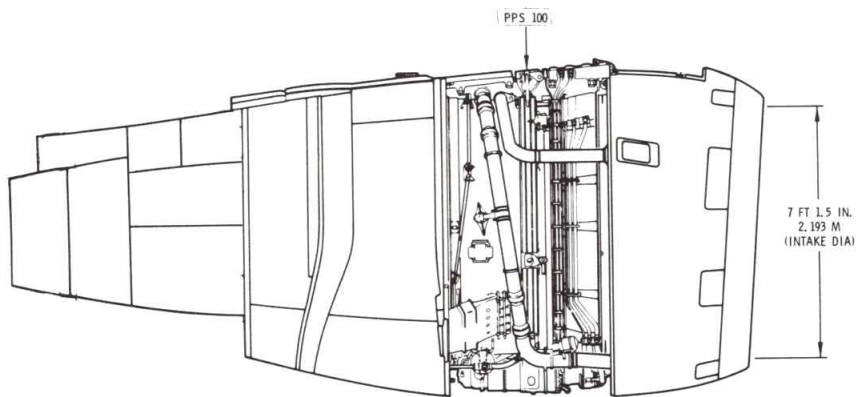
FIGURE 7



HH 5762
M1-0100-06-050

WING POWER PLANT DIMENSIONS—SIDE VIEW

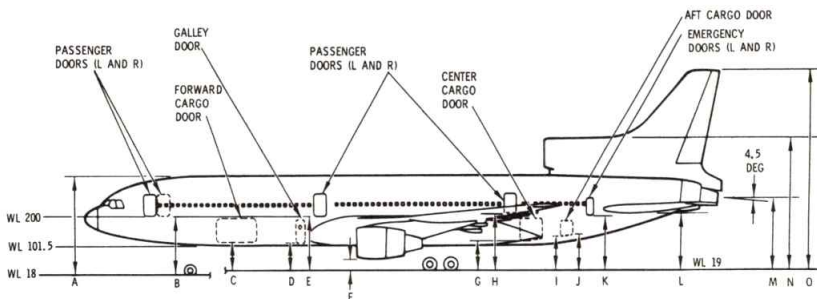
FIGURE 8



HH 5763
M1-0100-06-051

WING POWER PLANT DIMENSIONS—SIDE VIEW

FIGURE 9



	A	B	C	D	E	F	G	H
MAX HEIGHT	27 FT 4 IN. 8.32 M	16 FT 0 IN. 4.88 M	9 FT 8 IN. 2.95 M	8 FT 10 IN. 2.69 M	15 FT 9 IN. 4.8 M	3 FT 8 IN. 1.12 M	9 FT 6 IN. 2.9 M	15 FT 7 IN. 4.75 M
MINIMUM HEIGHT	26 FT 4 IN. 8.02 M	15 FT 0 IN. 4.57 M	8 FT 11 IN. 2.72 M	8 FT 2 IN. 2.5 M	15 FT 1 IN. 4.6 M	2 FT 11 IN. 0.89 M	8 FT 8 IN. 2.64 M	15 FT 0 IN. 4.57 M

	I	J	K	L	M	N	O
MAX HEIGHT	9 FT 7 IN. 2.92 M	10 FT 0 IN. 3.05 M	15 FT 8 IN. 4.78 M	16 FT 5 IN. 5.0 M	20 FT 6 IN. 6.28 M	37 FT 2 IN. 11.34 M	56 FT 0 IN. 17.7 M
MINIMUM HEIGHT	8 FT 2 IN. 2.5 M	8 FT 7 IN. 26.2 M	14 FT 8 IN. 4.47 M	15 FT 5 IN. 4.7 M	19 FT 8 IN. 6.0 M	36 FT 2 IN. 11.03 M	55 FT 0 IN. 16.76 M

NOTE

CHART PROVIDES MAXIMUM AND MINIMUM HEIGHTS WHICH MAY BE EXPERIENCED THROUGH NORMAL CHANGES IN AIRCRAFT LOADING AND CG.

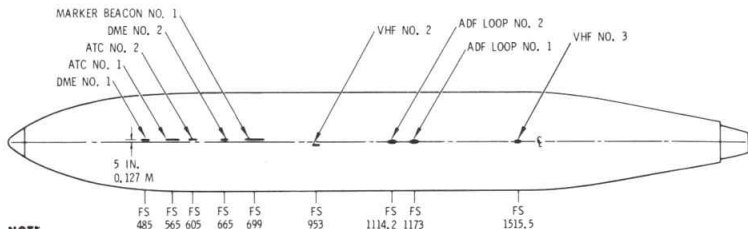
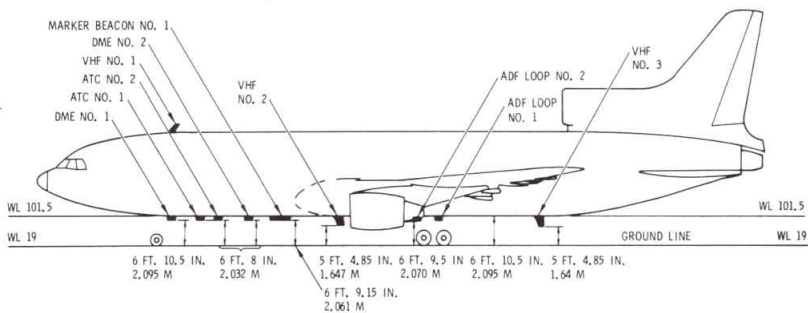
EXAMPLE: LOCATION A

MAX HEIGHT; AIRCRAFT AT OEW + 40,000 POUNDS LOADED IN AFT CG CONDITION
MINIMUM HEIGHT; AIRCRAFT AT MAX TAXI WEIGHT LOADED IN FORWARD CG CONDITION

FP1-0102-1-135

GENERAL GROUND CLEARANCE

FIGURE 10



NOTE

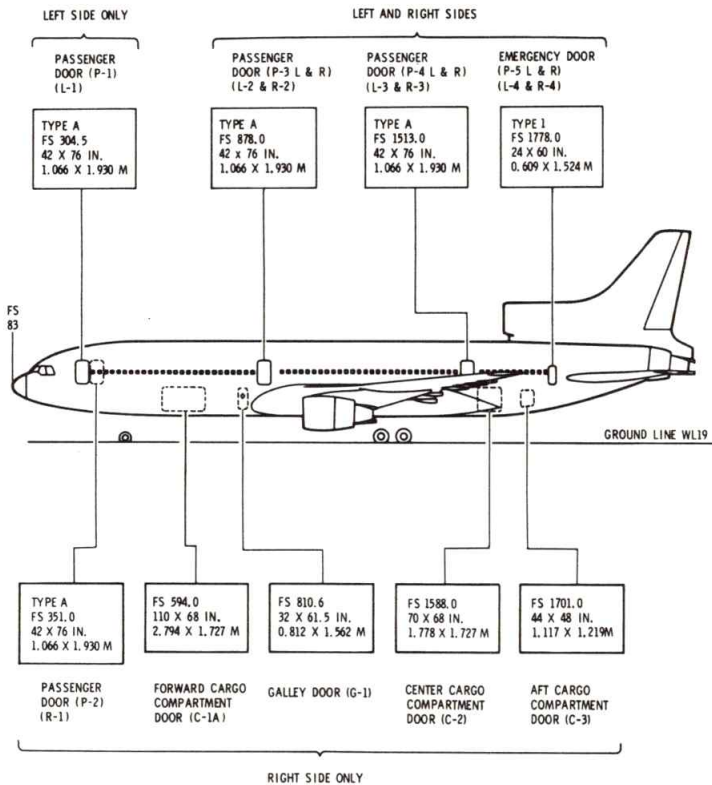
- 1 FLUSH TYPE ANTENNAS NOT SHOWN
- 2 ALL CLEARANCES ARE BASED ON A RAMP WEIGHT OF 411,000 LB. (186,395 KG), CG AT 25.5% MAC AND 50 X 20 MLG TIRES.

BOTTOM VIEW LOOKING UP

HA 1087
FP1-0100-1-136

ANTENNA GROUND CLEARANCE

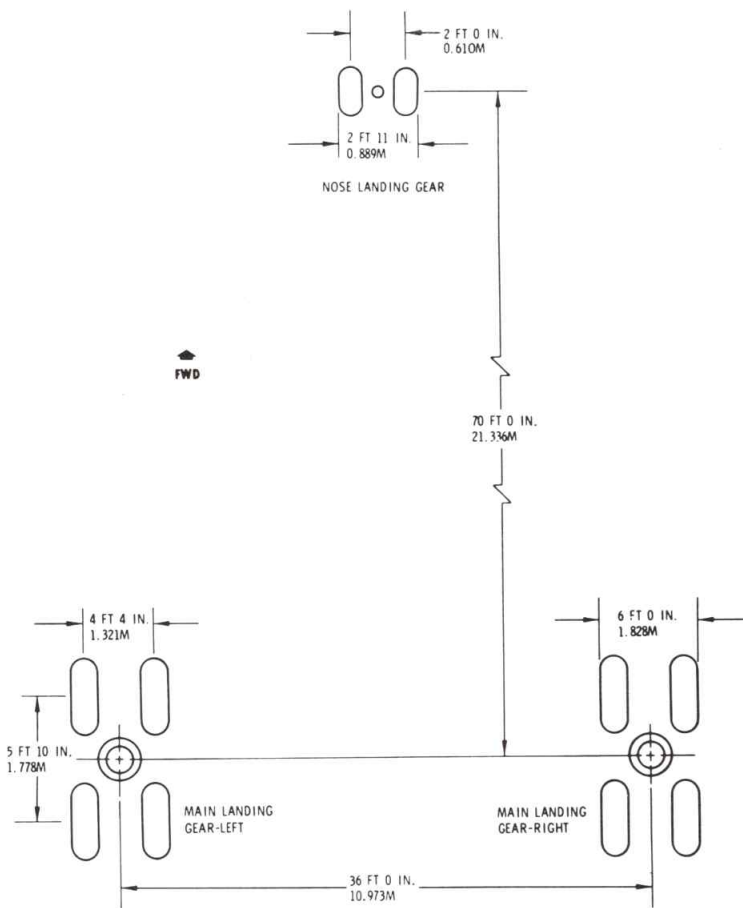
FIGURE 11



M1-39200-06-188

DOOR SIZE AND LOCATION DATA

FIGURE 12



LANDING GEAR FOOTPRINT DIMENSIONS

FIGURE 13

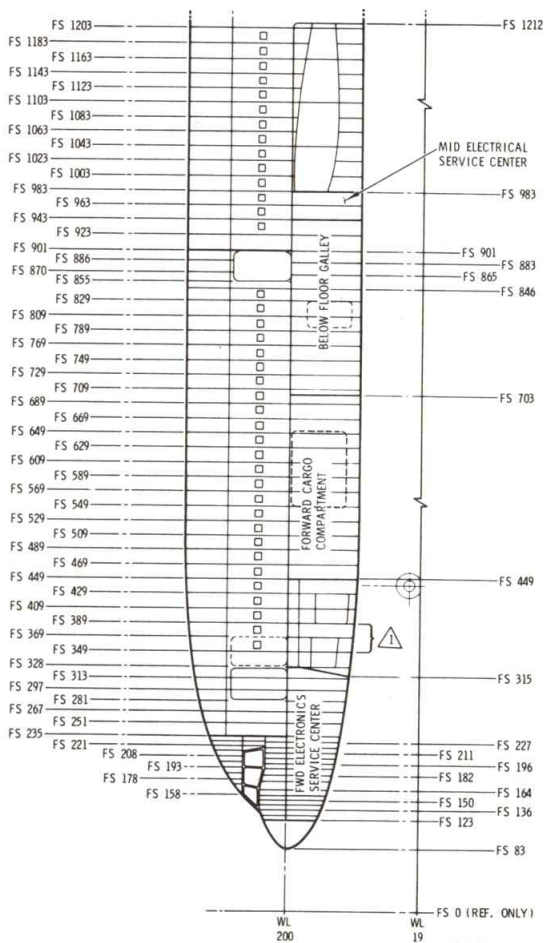
CODE

FS - FUSELAGE STATION
WL - WATER LINE

NOTE

THE TWO FORWARD WINDOWS SHOWN ARE ON LEFT SIDE ONLY

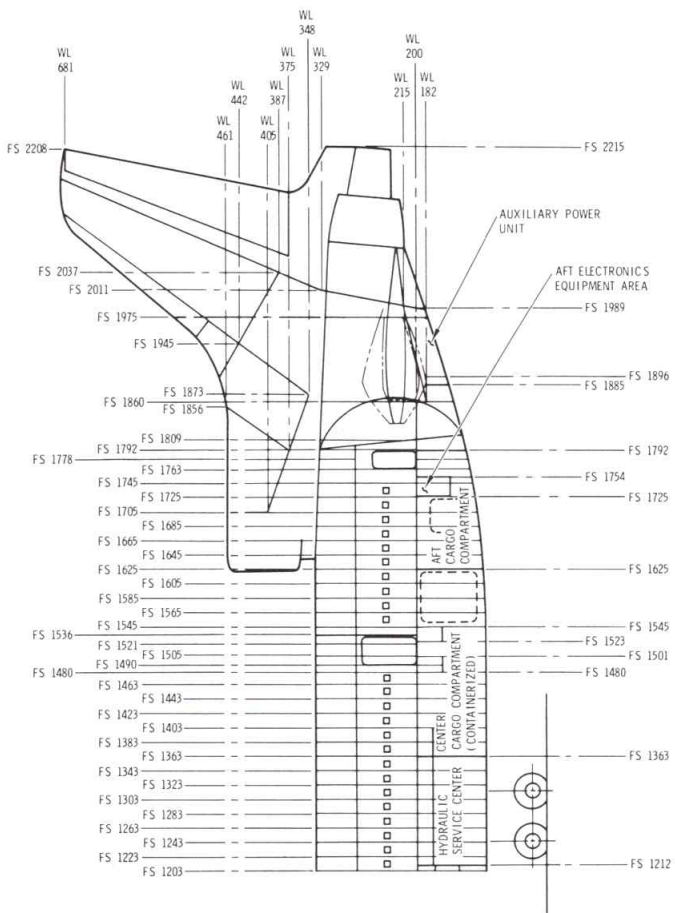
- 2 BEGINNING AT FRONT OF CABIN, ALL WINDOWS (LEFT AND RIGHT) WILL BE NUMBERED CONSECUTIVELY AS 1L, 1R, 2L, 2R, ETC



M1-39200-06-188

FUSELAGE STATION DIAGRAM

FIGURE 14



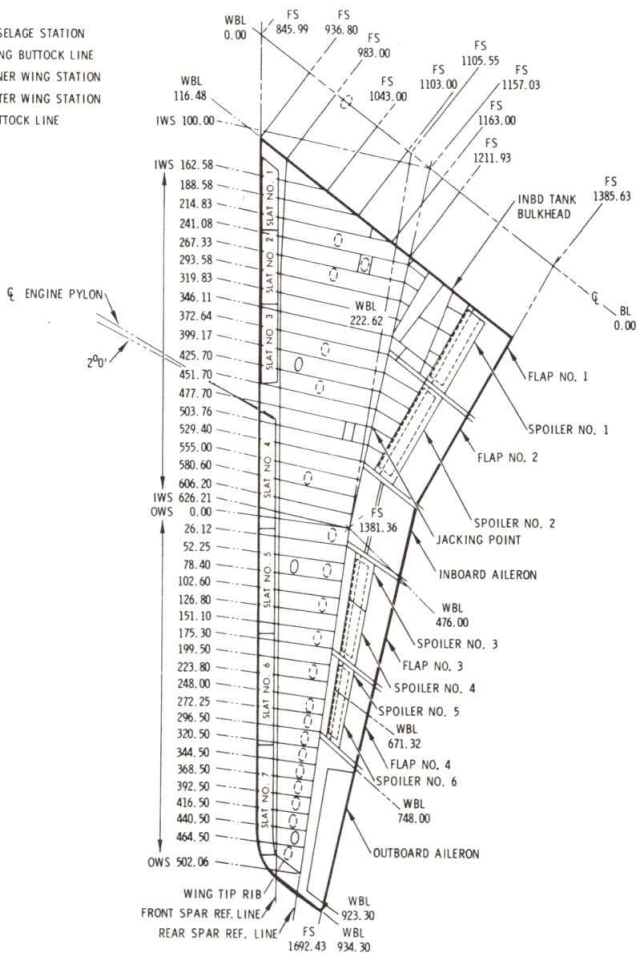
M1-A00-06-025

FUSELAGE STATION DIAGRAM

FIGURE 15

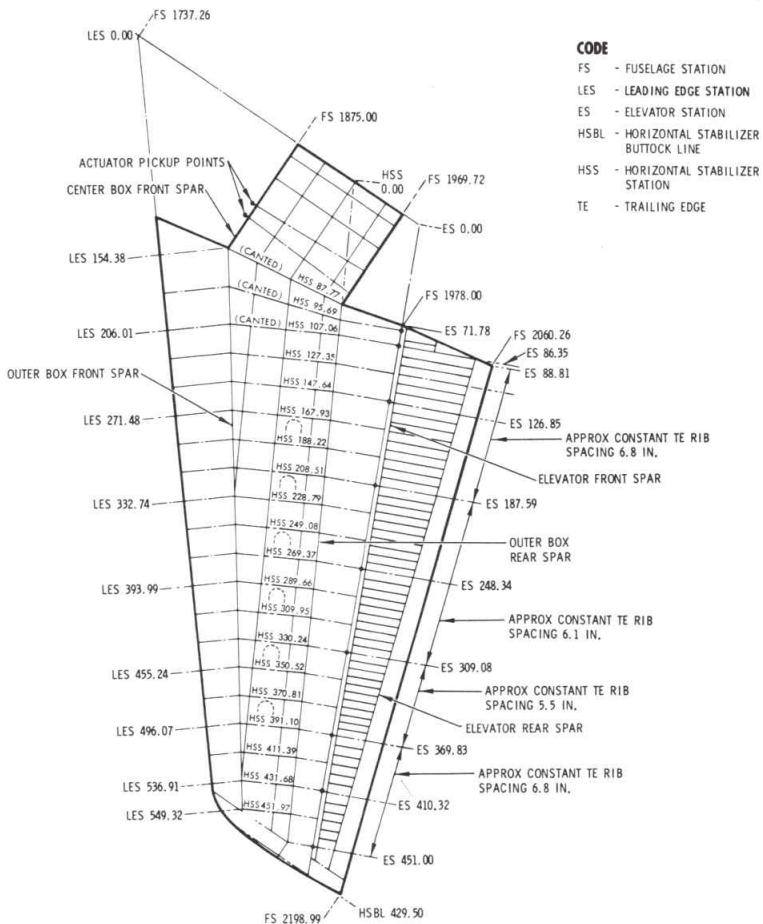
CODE

FS - FUSELAGE STATION
 WBL - WING BUTTOCK LINE
 IWS - INNER WING STATION
 OWS - OUTER WING STATION
 BL - BUTTOCK LINE



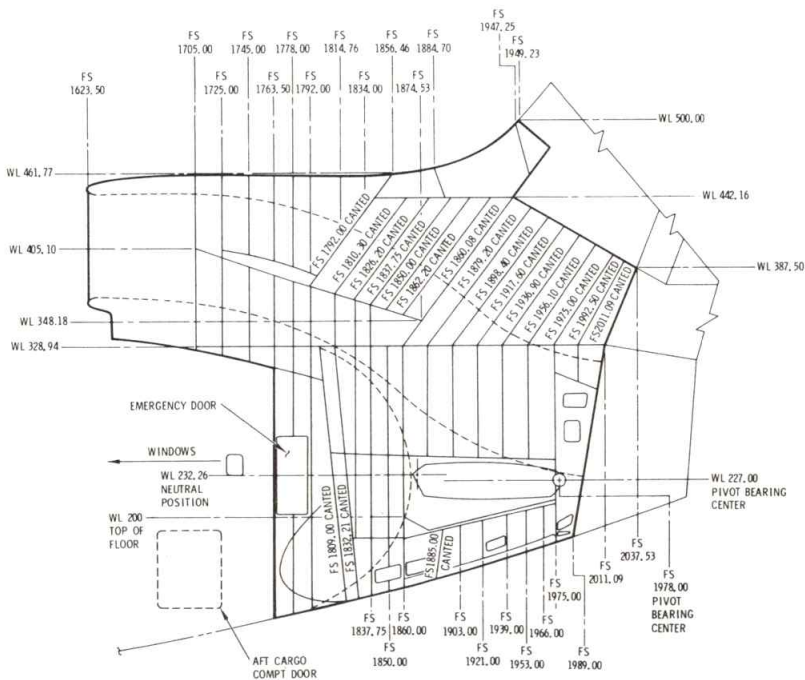
WING STATION DIAGRAM

FIGURE 16



**HORIZONTAL STABILIZER & ELEVATOR
STATION DIAGRAM**

FIGURE 17



AFTERBODY STATION DIAGRAM

FIGURE 18

CODE

FS - FUSELAGE STATION
 WL - WATER LINE
 VSS - VERTICAL STABILIZER STATION
 RS - RUDDER STATION
 VLES - VERTICAL LEADING EDGE STATION

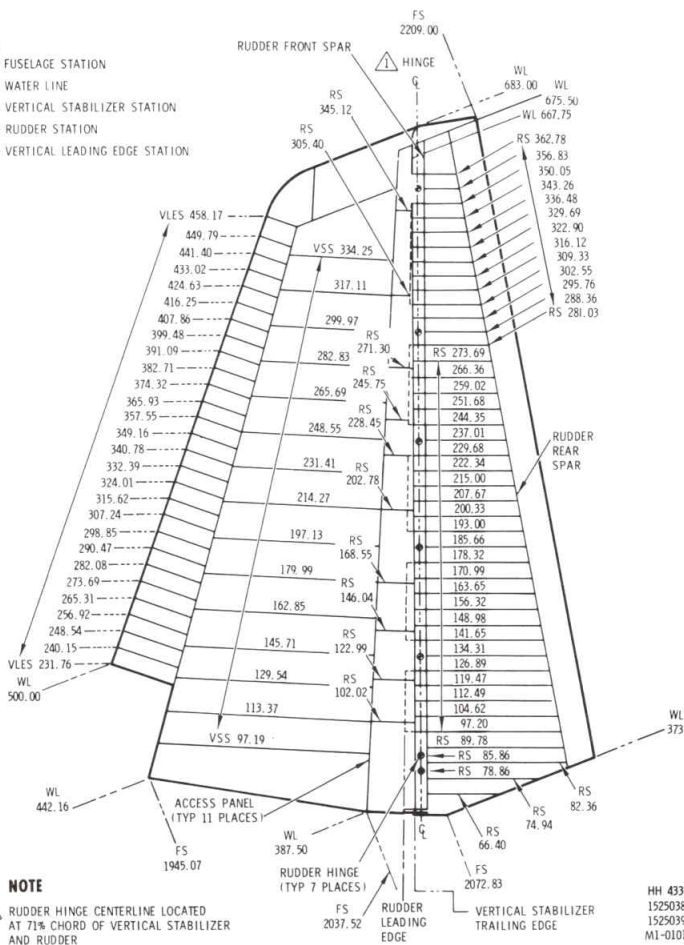
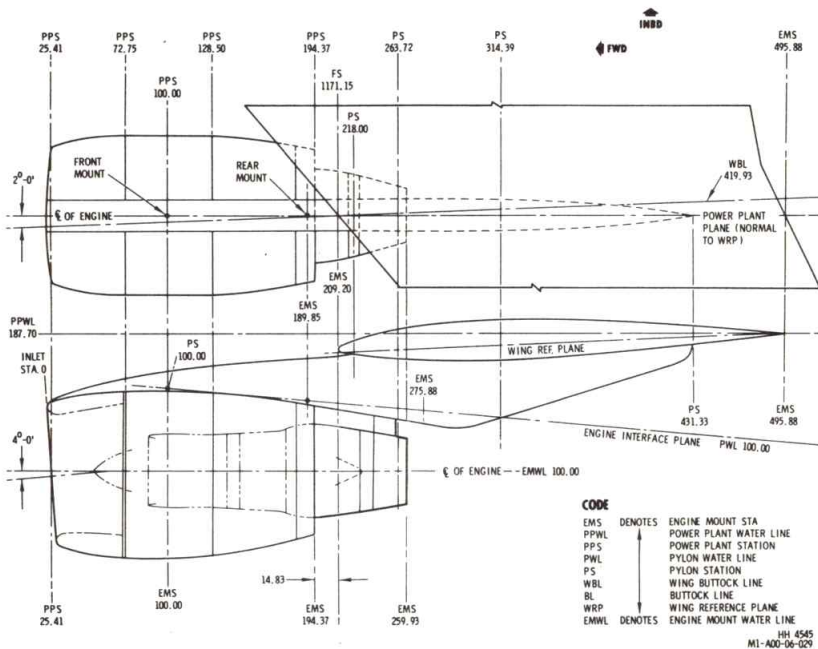
**VERTICAL STABILIZER & RUDDER STATION DIAGRAM**

FIGURE 19

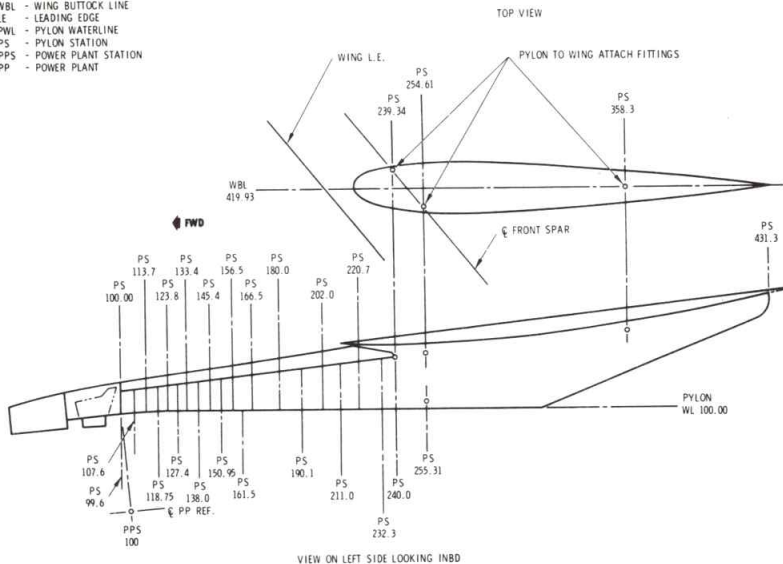


**NO. 1 AND NO. 3 POWER PLANT
AND PYLON STATION DIAGRAM**

FIGURE 20

CODE

WBL - WING BUTTOCK LINE
 LE - LEADING EDGE
 PWL - PYLON WATERLINE
 PS - PYLON STATION
 PPS - POWER PLANT STATION
 PP - POWER PLANT



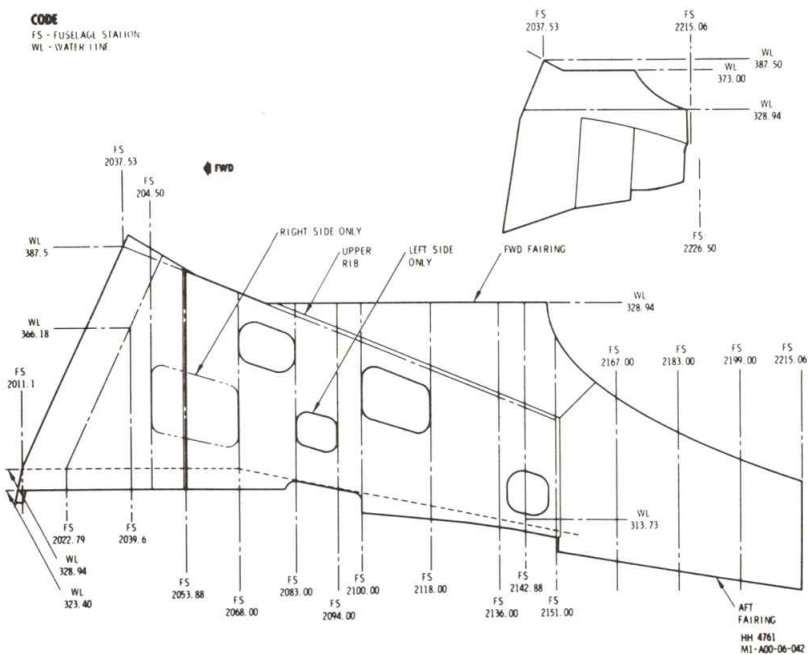
HI 4484
 MI-A00-06-041

NO. 1 & NO. 3 PYLON STATION DIAGRAM

FIGURE 21

CODE

FS - FUSELAGE STATION
WL - WATER LINE



CENTER ENGINE SUPPORT STRUCTURE STATION DIAGRAM

FIGURE 22

ZONING DIAGRAMS—DESCRIPTION & OPERATION

1. General

The L-1011 is divided into numbered zones to provide a method for designating and locating components and structural parts and areas. The zoning system aids in planning maintenance and preparing job instructions.

The zones are identified by a three-digit number. Each digit designates a zone category: major, sub-major, or zone.

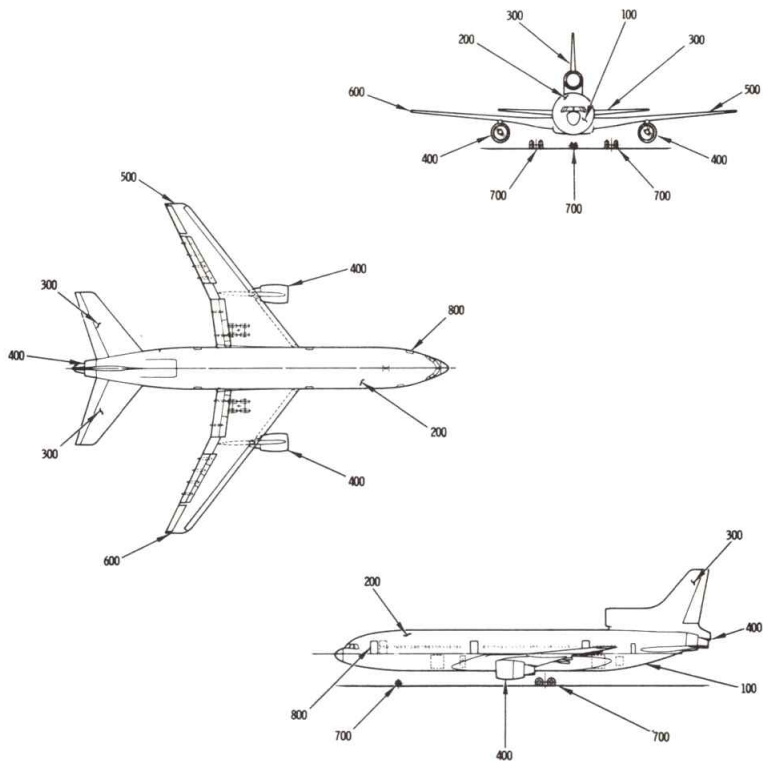
A major zone is designated by the first digit of the three-digit number. Two zeros after a digit (100, 200, etc.) imply that it is a major zone designation only. The aircraft is divided into eight zones (Ref. Fig. 1).

Sub-major zones which are sub-divisions of major zones, are designated by the second digit of the three-digit number. One zero after two digits (130, 160, etc.) implies that it is a major and sub-major zone designation only.

Zones which are subdivisions of sub-major zones, are designated by the third digit of the three-digit number (111, 232, etc.).

In numbering the major zones and their subdivisions, the following guidelines have been followed:

- A. Wherever possible, odd numbers indicate left side zones and even numbers indicate right side zones relative to the fuselage or power plant center lines.
- B. The sequence of zone numbers run, wherever possible, in ascending order from front to back in the fuselage from front to back and inboard to outboard in the wing and horizontal tail and from root to tip in the vertical tail.
- C. Individual zone numbers are assigned to major structural components cabin and cargo service doors, landing gear doors, and primary and secondary flight control surfaces.
- D. Wherever possible, the zones are defined by physical boundaries such as spars, major bulkheads, and partitions.
- E. Aircraft major zones are shown as follows.

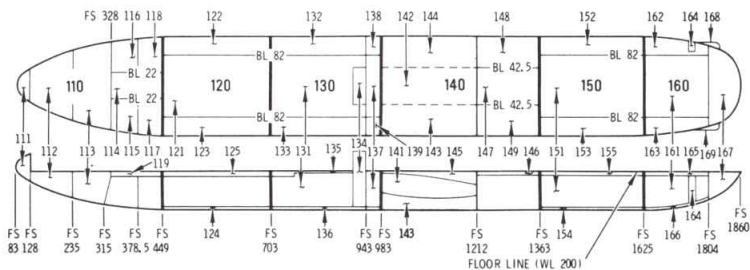


MAJOR ZONES

- MAJOR ZONE 100 - LOWER PART OF FUSELAGE
- MAJOR ZONE 200 - UPPER PART OF FUSELAGE
- MAJOR ZONE 300 - AFTERBODY AND EMPENNAGE
- MAJOR ZONE 400 - POWER PLANTS AND PYLONS
- MAJOR ZONE 500 - WING, LEFT
- MAJOR ZONE 600 - WING, RIGHT
- MAJOR ZONE 700 - LANDING GEAR AND LG DOORS
- MAJOR ZONE 800 - DOORS
- MAJOR ZONE 900 - RESERVED FOR UNCOMMON DIFFERENCES
BETWEEN AIRPLANE TYPES NOT COVERED
BY ABOVE MAJOR ZONES

FIGURE 24

MAJOR ZONES



MAJOR ZONE 100 - LOWER HALF OF FUSELAGE

SUBMAJOR ZONE 110 - FS 83 TO FS 449
 SUBMAJOR ZONE 120 - FS 449 TO FS 703
 SUBMAJOR ZONE 130 - FS 703 TO FS 983
 SUBMAJOR ZONE 140 - FS 983 TO FS 1363
 SUBMAJOR ZONE 150 - FS 1363 TO FS 1625

SUBMAJOR ZONE 160 - FS 1625 TO FS 1860
 SUBMAJOR ZONE 170 - NOT ASSIGNED
 SUBMAJOR ZONE 180 - NOT ASSIGNED
 SUBMAJOR ZONE 190 - FAIRINGS - FS 737.5 TO FS 1665

110 FS 83 TO FS 449

- 111 RADOME
- 112 ELECTRONICS SERVICE CENTER, FWD, AREA I
- 113 ELECTRONICS SERVICE CENTER, FWD, AREA II
AND WASTE SYS COMPT, FWD
- 114 NLG WHEEL WELL COMPT
- 115 HEAT EXCHANGER COMPT, LEFT
- 116 HEAT EXCHANGER COMPT, RIGHT
- 117 ENVIRONMENTAL CONTROL SYS COMPT, LEFT
- 118 ENVIRONMENTAL CONTROL SYS COMPT, RIGHT
- 119 AREA ABOVE NLG COMPT

120 FS 449 TO FS 703

- 121 CARGO COMPT, FWD
- 122 SIDE COMPT, RIGHT
- 123 SIDE COMPT, LEFT
- 124 AREA BELOW FWD CARGO COMPT
- 125 AREA ABOVE FWD CARGO COMPT

130 FS 703 TO FS 983

- 131 GALLEY COMPT
- 132 SIDE COMPT, RIGHT
- 133 SIDE COMPT, LEFT
- 134 GALLEY LIFT
- 135 AREA ABOVE GALLEY
- 136 AREA BELOW GALLEY COMPT
- 137 MID ELECTRICAL SERVICE CENTER
AND AREA BELOW
- 138 SIDE COMPT, RIGHT
- 139 SIDE COMPT, LEFT

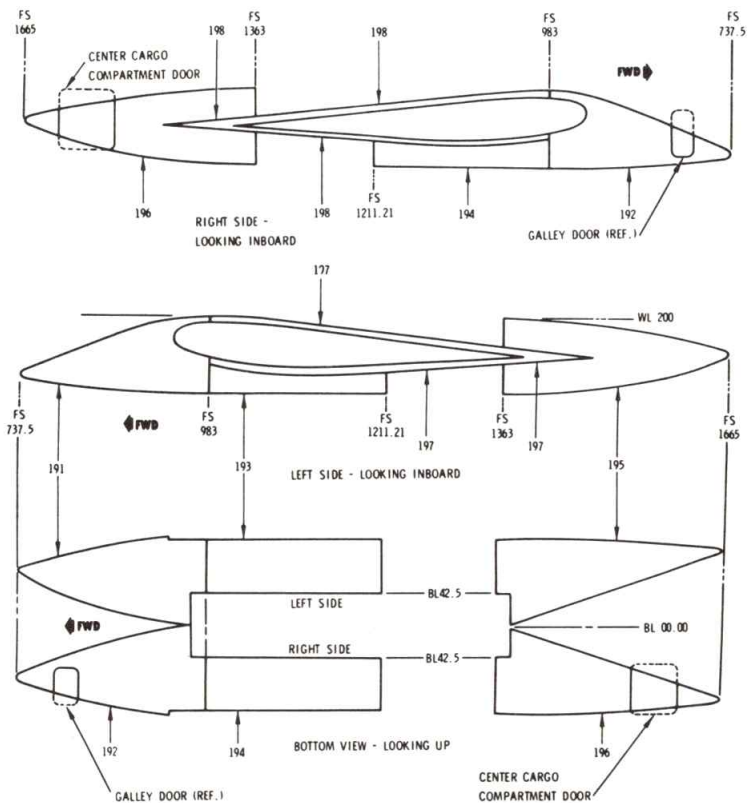
140 FS 983 TO FS 1363

- 141 WING CENTER SECTION BOX
- 141.1 FORWARD DRY BAY, LEFT
- 141.2 FORWARD DRY BAY, RIGHT
- 141.3 FORWARD DRY BAY, LEFT MID
- 141.4 FORWARD DRY BAY, RIGHT MID
- 141.5 TANK 1A
- 141.6 TANK 3A
- 141.7 AFT DRY BAY, LEFT
- 141.8 AFT DRY BAY, RIGHT
- 142 AREA BELOW CENTER OF WING CENTER
SECTION BOX
- 143 AREA BELOW AND LEFT OF WING CENTER
SECTION BOX
- 144 AREA BELOW AND RIGHT OF WING CENTER
SECTION BOX
- 145 AREA ABOVE WING CENTER SECTION BOX
- 146 AREA ABOVE HYDRAULIC SERVICE CENTER COMPT
- 147 HYDRAULIC SERVICE CENTER COMPT AND
AREA BELOW
- 148 MLG WHEEL WELL COMPT, RIGHT
- 149 MLG WHEEL WELL COMPT, LEFT

150 FS 1363 TO FS 1625

- 151 CARGO COMPT, CENTER
- 152 SIDE COMPT, RIGHT
- 153 SIDE COMPT, LEFT
- 154 AREA BELOW CENTER CARGO COMPT
- 155 AREA ABOVE CENTER CARGO COMPT

MAJOR ZONE 100 - LOWER HALF OF FUSELAGE



MAJOR ZONE 100 - LOWER HALF OF FUSELAGE

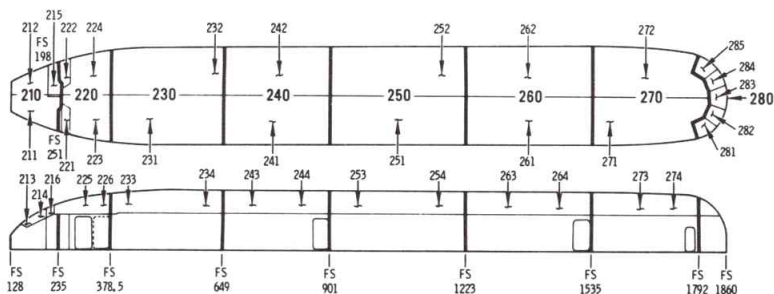
SUBMAJOR ZONE 190 - FS 737.5 TO FS 1665

191 FAIRING, FORWARD, LEFT
 192 FAIRING, FORWARD, RIGHT
 193 FAIRING, LOWER, LEFT
 194 FAIRING, LOWER, RIGHT

195 FAIRING, AFT, LEFT
 196 FAIRING, AFT, RIGHT
 197 FILLETS, LEFT
 198 FILLETS, RIGHT

MAJOR ZONE 100—LOWER HALF OF FUSELAGE

FIGURE 26



MAJOR ZONE 200 - UPPER HALF OF FUSELAGE

SUBMAJOR ZONE 210 - FS 128 TO FS 251
 SUBMAJOR ZONE 220 - FS 251 TO FS 378.5
 SUBMAJOR ZONE 230 - FS 378.5 TO FS 649
 SUBMAJOR ZONE 240 - FS 649 TO FS 901
 SUBMAJOR ZONE 250 - FS 901 TO FS 1223
 SUBMAJOR ZONE 260 - FS 1223 TO FS 1535
 SUBMAJOR ZONE 270 - FS 1535 TO FS 1792
 SUBMAJOR ZONE 280 - FS 1792 TO FS 1860

210 FS 128 TO FS 251

211 FLIGHT STATION, LEFT
 212 FLIGHT STATION, RIGHT
 213 AREA ABOVE CEILING, LEFT
 214 AREA ABOVE CEILING, RIGHT
 215 FLIGHT ENGINEERS STATION
 216 AREA ABOVE CEILING, FLT ENGR STA

220 FS 250 TO FS 378.5

221 LAVATORY, FWD, LEFT
 222 LAVATORY, FWD, RIGHT
 223 PASSENGER COMPT, LEFT
 224 PASSENGER COMPT, RIGHT
 225 AREA ABOVE CEILING, LEFT
 226 AREA ABOVE CEILING, RIGHT

230 FS 378.5 TO FS 649

231 PASSENGER COMPT, LEFT
 232 PASSENGER COMPT, RIGHT
 233 AREA ABOVE CEILING, LEFT
 234 AREA ABOVE CEILING, RIGHT

240 FS 649 TO FS 901

241 PASSENGER COMPT, LEFT
 242 PASSENGER COMPT, RIGHT
 243 AREA ABOVE CEILING, LEFT
 244 AREA ABOVE CEILING, RIGHT

250 FS 901 TO FS 1223

251 PASSENGER COMPT, LEFT
 252 PASSENGER COMPT, RIGHT
 253 AREA ABOVE CEILING, LEFT
 254 AREA ABOVE CEILING, RIGHT

260 FS 1223 TO FS 1535

261 PASSENGER COMPT, LEFT
 262 PASSENGER COMPT, RIGHT
 263 AREA ABOVE CEILING, LEFT
 264 AREA ABOVE CEILING, RIGHT

270 FS 1535 TO FS 1792

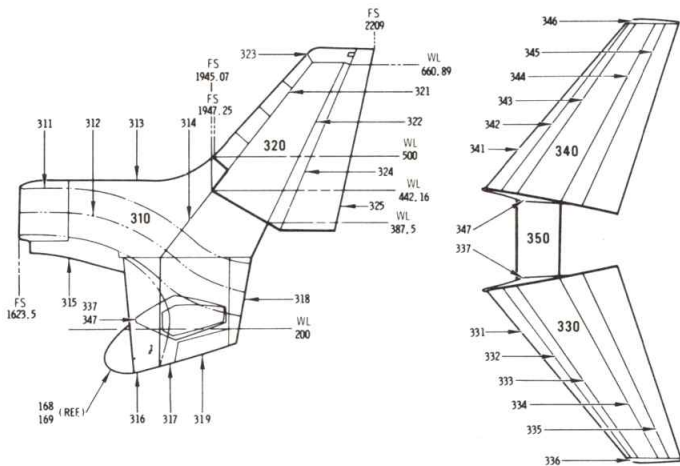
271 PASSENGER COMPT, LEFT
 272 PASSENGER COMPT, RIGHT
 273 AREA ABOVE CEILING, LEFT
 274 AREA ABOVE CEILING, RIGHT

280 FS 1792 TO FS 1860

281 LAVATORY, LEFT, & AREA ABOVE CEILING
 282 LAVATORY, LEFT INTERMEDIATE & AREA ABOVE CEILING
 283 LAVATORY, CENTER, & AREA ABOVE CEILING
 284 LAVATORY, RIGHT INTERMEDIATE, & AREA ABOVE CEILING
 285 LAVATORY, LEFT, & AREA ABOVE CEILING

MAJOR ZONE 200—UPPER HALF OF FUSELAGE

FIGURE 27



MAJOR ZONE 300 - AFTERBODY AND EMPENNAGE

SUBMAJOR ZONE 310 - AFT BODY AND CENTER ENGINE AIR INLET
 SUBMAJOR ZONE 320 - VERTICAL STABILIZER
 SUBMAJOR ZONE 330 - HORIZONTAL STABILIZER, LEFT
 SUBMAJOR ZONE 340 - HORIZONTAL STABILIZER, RIGHT
 SUBMAJOR ZONE 350 - HORIZONTAL STABILIZER, CENTER SECTION

310 AFTERBODY AND CENTER ENGINE AIR INLET

311 CENTER ENGINE AIR INLET, FRONT
 312 CENTER ENGINE "S" DUCT
 313 AFTERBODY DORSAL SADDLE SECTION
 314 AFTERBODY UPPER SECTION, AFT
 315 DIVERTER
 316 PRESSURE BULKHEAD AREA
 317 AFTERBODY MID/LOWER SECTION
 318 AFTERBODY AFT/LOWER SECTION
 319 APU COMPARTMENT

320 VERTICAL STABILIZER AND RUDDER

321 VERTICAL STABILIZER LEADING EDGE
 322 VERTICAL STABILIZER, FRONT SPAR TO REAR SPAR
 323 VERTICAL STABILIZER TIP
 324 VERTICAL STABILIZER TRAILING EDGE
 325 RUDDER

330 HORIZONTAL STABILIZER, LEFT

331 HORIZONTAL STABILIZER LEADING EDGE
 332 HORIZONTAL STABILIZER, AUXILIARY SPAR TO FRONT SPAR
 333 HORIZONTAL STABILIZER, FRONT SPAR TO REAR SPAR
 334 HORIZONTAL STABILIZER TRAILING EDGE
 335 ELEVATOR
 336 HORIZONTAL STABILIZER TIP
 337 AIRGATE FAIRING

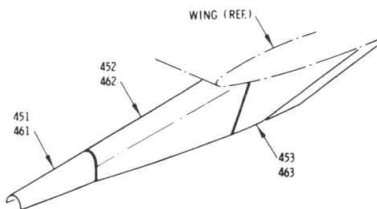
340 HORIZONTAL STABILIZER, RIGHT

341 HORIZONTAL STABILIZER EDGE
 342 HORIZONTAL STABILIZER, AUXILIARY SPAR TO FRONT SPAR
 343 HORIZONTAL STABILIZER, FRONT SPAR TO REAR SPAR
 344 HORIZONTAL STABILIZER TRAILING EDGE
 345 ELEVATOR
 346 HORIZONTAL STABILIZER TIP
 347 AIRGATE FAIRING

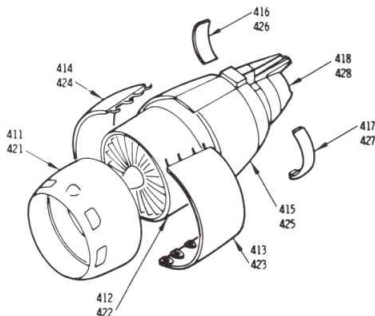
350 HORIZONTAL STABILIZER CENTER SECTION

MAJOR ZONE 300—AFTERBODY & EMPENNAGE

FIGURE 28



SUBMAJOR ZONES 450, 460



SUBMAJOR ZONES 410, 420

MAJOR ZONE 400 - POWER PLANTS AND PYLONS 420 ENGINE NO. 3, RIGHT

- 410 ENGINE NO. 1, LEFT
- SUBMAJOR ZONE 420 - ENGINE NO. 3, RIGHT
- SUBMAJOR ZONE 430 - ENGINE NO. 2, CENTER
- SUBMAJOR ZONE 440 - NOT USED
- SUBMAJOR ZONE 450 - ENGINE PYLON NO. 1, LEFT
- SUBMAJOR ZONE 460 - ENGINE PYLON NO. 3, RIGHT
- SUBMAJOR ZONE 470 - ENGINE PYLON NO. 2, CENTER

- 421 NOSE COWL
- 422 ENGINE
- 423 MAIN COWL DOOR, LEFT
- 424 MAIN COWL DOOR, RIGHT
- 425 TRANSLATING COWL, THRUST REVERSER ASSEMBLY
- 426 REAR COWL PANEL, RIGHT
- 427 REAR COWL PANEL, LEFT
- 428 EXHAUST COLLECTOR ASSEMBLY

410 ENGINE NO. 1, LEFT

- 411 NOSE COWL
- 412 ENGINE
- 413 MAIN COWL DOOR, LEFT
- 414 MAIN COWL DOOR, RIGHT
- 415 TRANSLATING COWL, THRUST REVERSER ASSEMBLY
- 416 REAR COWL PANEL, RIGHT
- 417 REAR COWL PANEL, LEFT
- 418 EXHAUST COLLECTOR ASSEMBLY

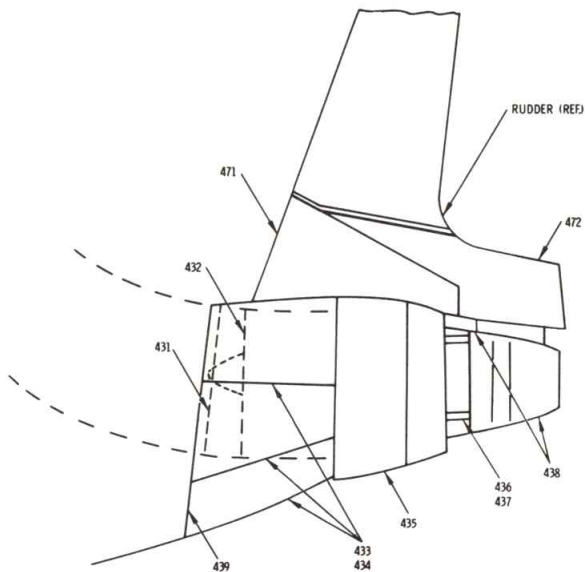
450 ENGINE PYLON NO. 1, LEFT

- 451 NOSE FAIRING
- 452 SUPPORT STRUCTURE/TORQUE BOX
- 453 DRAG STRUT/REAR FAIRING

460 ENGINE PYLON NO. 3, RIGHT

- 461 NOSE FAIRING
- 462 SUPPORT STRUCTURE/TORQUE BOX
- 463 DRAG STRUT/REAR FAIRING

MAJOR ZONE 400—POWER PLANTS & PYLON



430 ENGINE NO. 2, CENTER

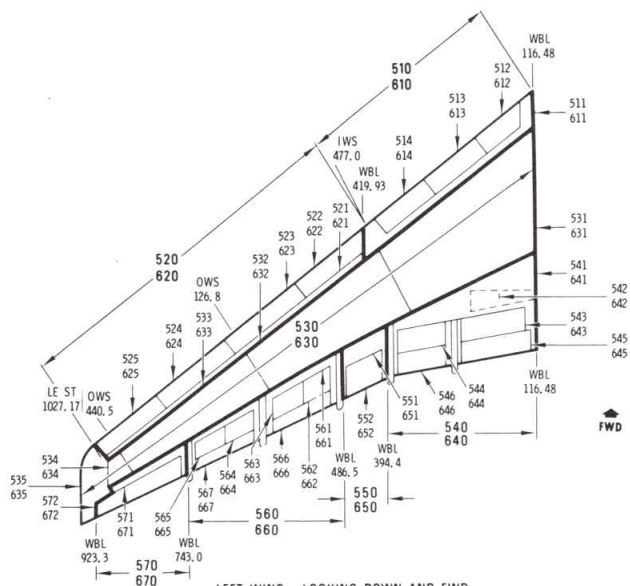
- 431 S-DUCT ADAPTER
- 432 ENGINE
- 433 MAIN COWL DOORS AND PANEL, LEFT
- 434 MAIN COWL DOORS AND PANEL, RIGHT
- 435 TRANSLATING COWL, THRUST REVERSER ASSEMBLY
- 436 REAR COWL PANEL, RIGHT
- 437 REAR COWL PANEL, LEFT
- 438 EXHAUST COLLECTOR ASSEMBLY
- 439 FIREWALL, CANTED BULKHEAD, AFT FACE

470 CENTER ENGINE SUPPORT STRUCTURE

- 471 SUPPORT STRUCTURE
- 472 REAR FAIRING

MAJOR ZONE 400 – POWER PLANTS AND PYLON

FIGURE 30



LEFT WING - LOOKING DOWN AND FWD

MAJOR ZONE 500 - WING, LEFT

- SUBMAJOR ZONE 510 - LEADING EDGE TO FRONT SPAR, WBL 116.48 TO WBL 419.93
- SUBMAJOR ZONE 520 - LEADING EDGE TO FRONT SPAR, WBL 419.93 TO LES 1027.17
- SUBMAJOR ZONE 530 - FRONT SPAR TO REAR SPAR, WBL 116.48 TO AND INCLUDING WING TIP ASSEMBLY
- SUBMAJOR ZONE 540 - REAR SPAR TO TRAILING EDGE, WBL 116.48 TO WBL 394.4
- SUBMAJOR ZONE 550 - REAR SPAR TO TRAILING EDGE, WBL 394.4 TO WBL 486.5
- SUBMAJOR ZONE 560 - REAR SPAR TO TRAILING EDGE, WBL 486.5 TO WBL 743.0
- SUBMAJOR ZONE 570 - REAR SPAR TO TRAILING EDGE, WBL 743.0 TO WBL 923.3

510 LEADING EDGE TO FRONT SPAR, WBL 116 48 TO WBL 419 93

- 511 FIXED STRUCTURE
- 512 SLAT NO. 1
- 513 SLAT NO. 2
- 514 SLAT NO. 3

520 LEADING EDGE TO FRONT SPAR, WBL 419 93 TO LES 1027 17

- 521 FIXED STRUCTURE
- 522 SLAT NO. 4
- 523 SLAT NO. 5
- 524 SLAT NO. 6
- 525 SLAT NO. 7

530 FRONT SPAR TO REAR SPAR, WBL 116 48 TO AND INCLUDING WING TIP ASSEMBLY

- 531 INBOARD MAIN TANK
- 532 OUTBOARD MAIN TANK, SECTION 1
- 533 OUTBOARD MAIN TANK, SECTION 2
- 534 VENT SURGE TANK
- 535 WING TIP ASSEMBLY

540 REAR SPAR TO TRAILING EDGE, WBL 116 48 TO WBL 394 4

- 541 FIXED STRUCTURE
- 542 MAIN LANDING GEAR COMPT
- 543 SPOILER NO. 1
- 544 SPOILER NO. 2
- 545 FLAP AND VANE NO. 1
- 546 FLAP AND VANE NO. 2

550 REAR SPAR TO TRAILING EDGE, WBL 394 4 TO WBL 486 5

- 551 FIXED STRUCTURE
- 552 SPOILER NO. 4

560 REAR SPAR TO TRAILING EDGE, WBL 486 5 TO WBL 743 0

- 561 FIXED STRUCTURE
- 562 SPOILER NO. 3
- 563 SPOILER NO. 4
- 564 SPOILER NO. 5
- 565 SPOILER NO. 6
- 566 FLAP AND VANE NO. 3
- 567 FLAP AND VANE NO. 4

570 REAR SPAR TO TRAILING EDGE, WBL 743 0 TO WBL 923 3

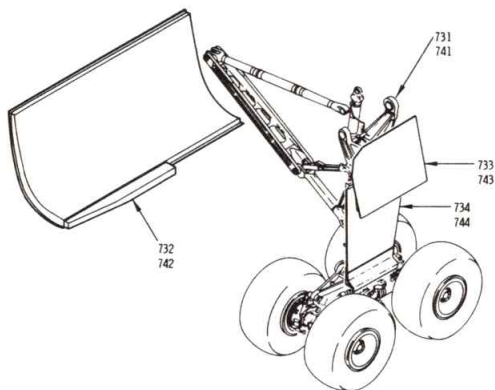
- 571 FIXED STRUCTURE
- 572 OUTBOARD AILERON

MAJOR ZONE 600 - WING, RIGHT
 SUBMAJOR ZONES AND ZONES ARE IDENTICAL TO THEIR SYMMETRICAL COUNTERPARTS OF MAJOR ZONE 500 - WING, LEFT. FOR SPECIFIC ZONE NUMBERS THE FIRST DIGIT "6" IS SUBSTITUTED FOR A "5"

HH 4702 M1-A00-006

MAJOR ZONES 500 & 600-WING, LEFT & RIGHT

FIGURE 31



MAJOR ZONE 700 - LANDING GEAR AND DOORS

- SUBMAJOR ZONE 710 - NOSE LANDING GEAR AND DOORS
- SUBMAJOR ZONE 720 - NOT ASSIGNED
- SUBMAJOR ZONE 730 - LEFT MAIN LANDING GEAR AND DOORS
- SUBMAJOR ZONE 740 - RIGHT MAIN LANDING GEAR AND DOORS

710 NOSE LANDING GEAR AND DOORS

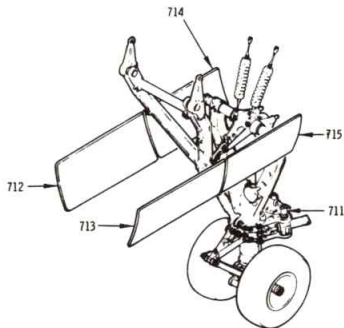
- 711 NOSE LANDING GEAR
- 712 NOSE LANDING GEAR RIGHT FORWARD DOOR
- 713 NOSE LANDING GEAR LEFT FORWARD DOOR
- 714 NOSE LANDING GEAR RIGHT AFT DOOR
- 715 NOSE LANDING GEAR LEFT AFT DOOR

730 MAIN LANDING GEAR AND DOORS, LEFT

- 731 MAIN LANDING GEAR
- 732 MAIN LANDING GEAR INBOARD DOOR
- 733 MAIN LANDING GEAR OUTBOARD DOOR
- 734 MAIN LANDING GEAR STRUT DOOR

740 MAIN LANDING GEAR AND DOORS, RIGHT

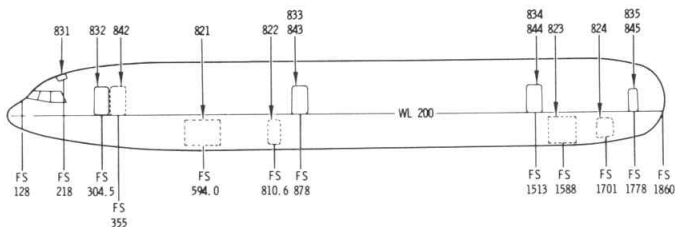
- 741 MAIN LANDING GEAR
- 742 MAIN LANDING GEAR INBOARD DOOR
- 743 MAIN LANDING GEAR OUTBOARD DOOR
- 744 MAIN LANDING GEAR STRUT DOOR



HH 4701
M1-A00-06-037

MAJOR ZONE 700—LANDING GEAR & DOORS

FIGURE 32



MAJOR ZONE 800 - DOORS (PASSENGER-CARGO-GALLEY)

SUBMAJOR ZONE 810 - LOWER HALF OF FUSELAGE, LEFT
 SUBMAJOR ZONE 820 - LOWER HALF OF FUSELAGE, RIGHT
 SUBMAJOR ZONE 830 - UPPER HALF OF FUSELAGE, LEFT
 SUBMAJOR ZONE 840 - UPPER HALF OF FUSELAGE, RIGHT

810 LOWER HALF OF FUSELAGE, LEFT

NO DOORS IN THIS ZONE

820 LOWER HALF OF FUSELAGE, RIGHT

821 CARGO COMPT DOOR, FWD (C-1A)
 822 GALLEY COMPT DOOR (G-1)
 823 CARGO COMPT DOOR, CENTER (C-2)
 824 CARGO COMPT DOOR, AFT (C-3)

830 UPPER HALF OF FUSELAGE, LEFT

831 FLIGHT COMPT HATCH
 832 PASSENGER COMPT DOOR, FWD (L-1)
 833 PASSENGER COMPT DOOR, CENTER (L-2)
 834 PASSENGER COMPT DOOR, AFT (L-3)
 835 EMERGENCY DOOR (L-4)

840 UPPER HALF OF FUSELAGE, RIGHT

842 PASSENGER COMPT DOOR, FWD (R-1)
 843 PASSENGER COMPT DOOR, CENTER (R-2)
 844 PASSENGER COMPT DOOR, AFT (R-3)
 845 EMERGENCY DOOR (R-4)

MAJOR ZONE 800 - DOORS

FIGURE 33

EXTERIOR ACCESS DOORS & REMOVABLE PANELS DESCRIPTION & OPERATION

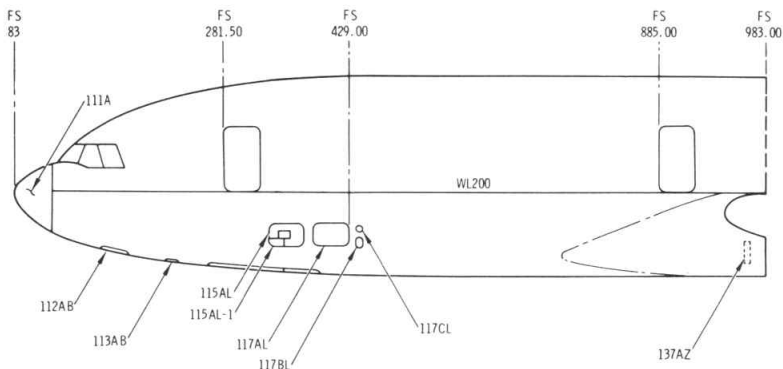
1. General

External maintenance and service access doors, and removable panels are identified by a three-digit zone number which designates the smallest zone division in which the door is located. A two letter suffix to the zone number identifies and locates the door or panel within the zone.

The first letter of the suffix is the primary letter which identifies the door or panel in a logical sequence, beginning with A, within each zone, inboard to outboard or front to rear and from root to tip in the vertical tail. The second letter, or locator, locates the door or panel in relation to the aircraft as follows:

- T — Top
- B — Bottom
- L — Left Side
- R — Right Side
- Z — Interior

Location, identification and function of exterior access doors and removable panels and their identification numbers are shown as follows.



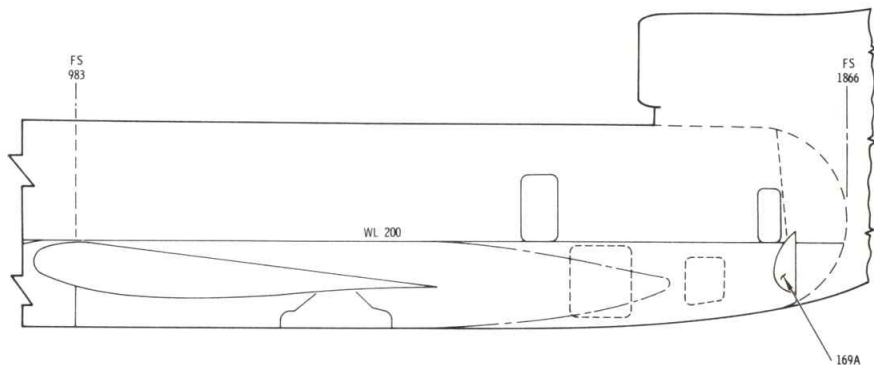
NOTE
LEFT SIDE SHOWN

ACCESS IDENTIFICATION NUMBER	ACCESS TO
111A	WEATHER RADAR ANTENNA
112AB	AUTOMATIC FLIGHT CONTROL SYSTEM COMPONENTS, AND FORWARD WASTE SYSTEM
113AB	FORWARD WASTE SYSTEM SERVICE PANEL
115AL	LEFT HEAT EXCHANGER COMPARTMENT
115AL-1	ACTUATOR
117AL	LEFT ENVIRONMENTAL CONTROL SYSTEM COMPARTMENT
117BL	NLG TRUNNION PIN, LEFT SIDE
117CL	LEFT NOSE JACK/TIE DOWN FITTING
137AZ	MID ELECTRICAL SERVICE CENTER

HH 6827
M1-0102-06-001

**EXTERIOR ACCESS DOORS & PANELS, ZONE 100
LOWER HALF OF FUSELAGE, LEFT SIDE**

FIGURE 35



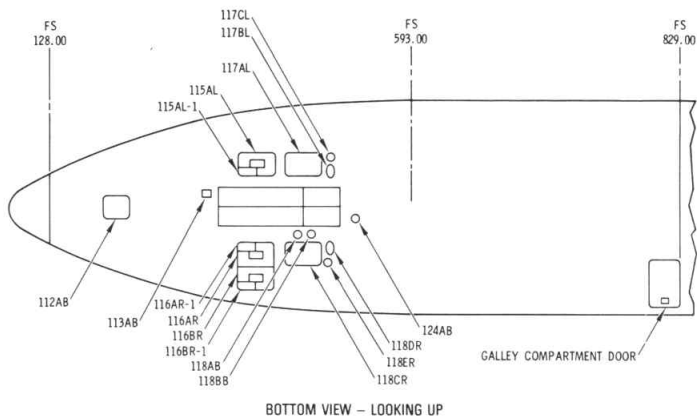
NOTE
LEFT SIDE SHOWN

ACCESS IDENTIFICATION NUMBER	ACCESS TO
169A	LOWER AFTERBODY STRUCTURE

HH 8690
MI-0100-06-096

**EXTERIOR ACCESS DOORS & PANELS, ZONE 100
LOWER HALF OF FUSELAGE, AFT LEFT SIDE**

FIGURE 36

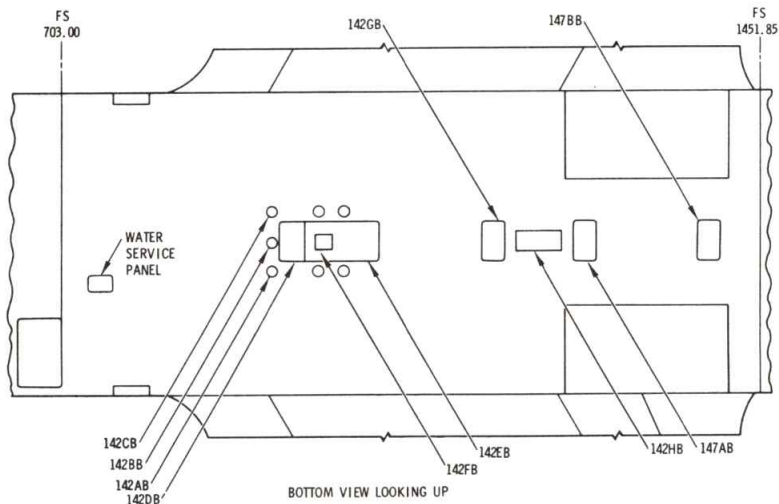


ACCESS IDENTIFICATION NUMBER	ACCESS TO
112AB	FORWARD ELECTRONICS SERVICE CENTER
113AB	FORWARD WASTE SYSTEM SERVICE PANEL
115AL	LEFT HEAT EXCHANGER COMPARTMENT
115AL-1	ACTUATOR
116AR	RIGHT HEAT EXCHANGER COMPARTMENT, LOWER AREA
116AR-1	ACTUATOR
116BR	RIGHT HEAT EXCHANGER COMPARTMENT, UPPER AREA
116BR-1	ACTUATOR
117AL	ENVIRONMENTAL CONTROL SYSTEM COMPARTMENT, LEFT SIDE
117BL	NLG TRUNNION PIN, LEFT SIDE
117CL	LEFT NOSE JACK / TIE DOWN FITTING
118AB	GROUND AIR CONDITIONING RECEPTACLE FWD
118BB	GROUND AIR CONDITIONING RECEPTACLE AFT
118CR	ENVIRONMENTAL CONTROL SYSTEM COMPARTMENT, RIGHT SIDE
118DR	NLG TRUNNION PIN, RIGHT SIDE
118ER	RIGHT NOSE JACK/TIE DOWN FITTING
124AB	EXTERNAL POWER RECEPTACLE

HH 5691
M1-0102-06-002

EXTERIOR ACCESS DOORS AND PANELS, ZONE 100 LOWER HALF OF FUSELAGE, BOTTOM

FIGURE 37

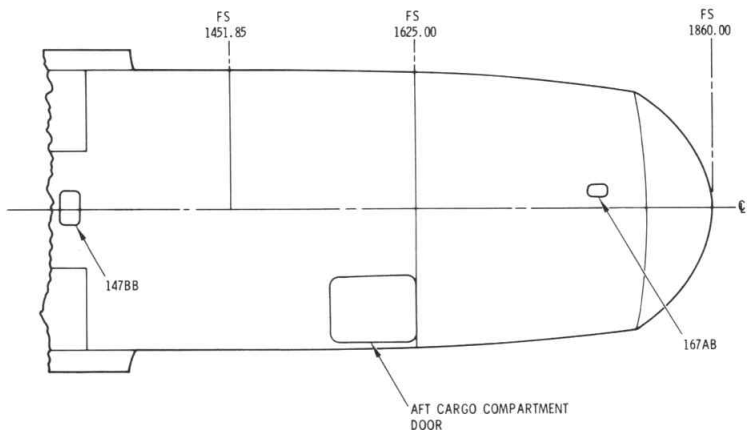


ACCESS IDENTIFICATION NUMBER	ACCESS TO
142AB	GROUND AIR START RECEPTACLE, RIGHT
142BB	GROUND AIR START RECEPTACLE, CENTER
142CB	GROUND AIR START RECEPTACLE, LEFT
142DB	PNEUMATIC DUCTING AND ECS ISOLATION VALVE
142EB	PNEUMATIC DUCTING AND KEELSON CENTER
142FB	APU EXTERNAL CONTROL
142GB	PNEUMATIC DUCTING, KEELSON CENTER COMPARTMENT
142HB	RAM AIR TURBINE
147AB	HYDRAULIC SERVICE CENTER FORWARD AREA
147BB	HYDRAULIC SERVICE CENTER AFT AREA

HH 5692
M1-0103-06-003

EXTERIOR ACCESS DOORS & PANELS, ZONE 100 LOWER HALF OF FUSELAGE, FORWARD RIGHT SIDE

FIGURE 38



NOTE

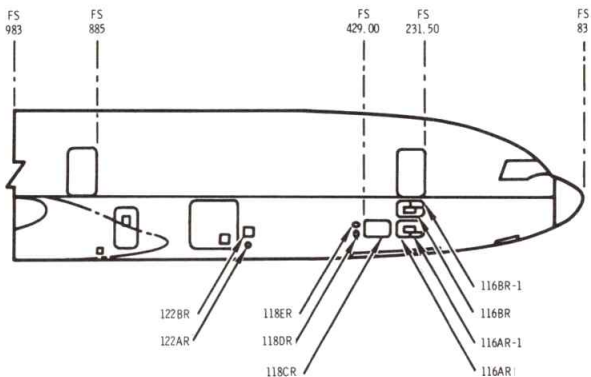
⚠ BOTTOM VIEW LOOKING UP

ACCESS IDENTIFYING NUMBER	ACCESS TO:
147BB 167AB	HYDRAULIC SERVICE CENTER, AFT AREA AFT WASTE SYSTEM SERVICE PANEL

HH 5694
M1-A00-06-004

**EXTERIOR ACCESS DOORS & PANELS,
ZONE 100 LOWER HALF OF FUSELAGE, AFT SECTION**

FIGURE 39



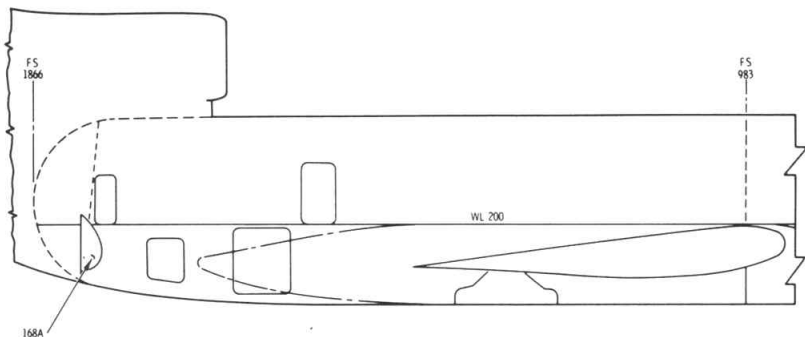
NOTE

RIGHT SIDE SHOWN

ACCESS IDENTIFYING NUMBER	ACCESS TO
116 AR	RIGHT HEAT EXCHANGER COMPARTMENT, LOWER AREA
116 AR-1	ACTUATOR
116 BR	RIGHT HEAT EXCHANGER COMPARTMENT, UPPER AREA
116 BR-1	ACTUATOR
118 CR	RIGHT ENVIRONMENTAL CONTROL SYSTEM COMPARTMENT
118 DR	NLG TRUNNION PIN, RIGHT SIDE
118 ER	RIGHT NOSE JACK/TIE DOWN FITTING
122 AR	MANUAL DRIVE GEARBOX
122 BR	DOOR CONTROL SWITCH BOX

**EXTERIOR ACCESS DOORS & PANELS, ZONE 100
LOWER HALF OF FUSELAGE, FORWARD RIGHT SIDE**

FIGURE 40



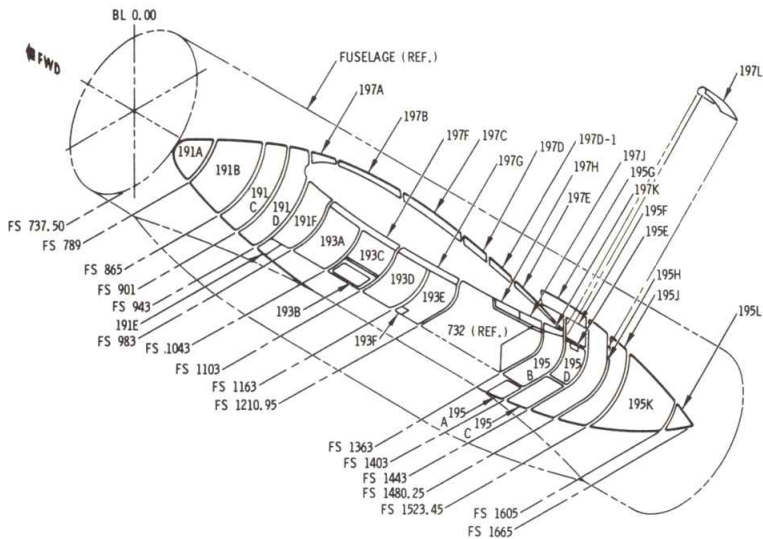
NOTE
RIGHT SIDE SHOWN

ACCESS IDENTIFICATION NUMBER	ACCESS TO
168A	LOWER AFTERBODY STRUCTURE

HH 8177
M1-0100-06-048

**EXTERIOR ACCESS DOORS & PANELS, ZONE 100
LOWER HALF OF FUSELAGE, AFT RIGHT SIDE**

FIGURE 41

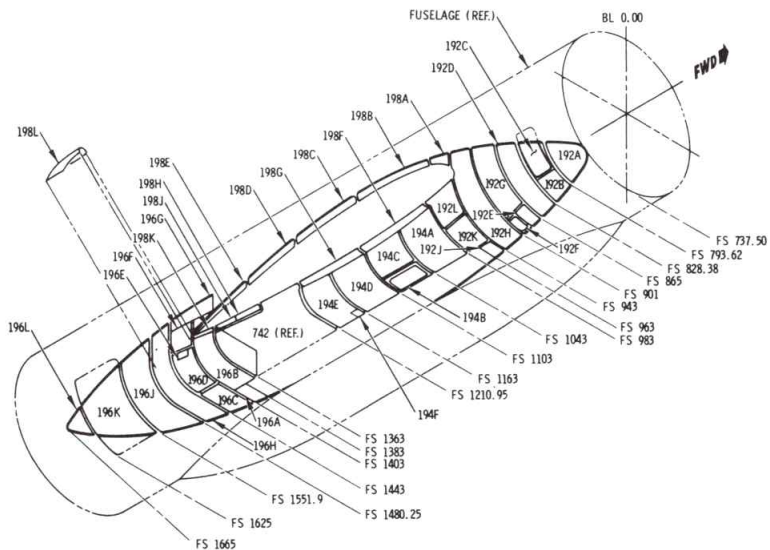


ACCESS IDENTIFYING NUMBER	ACCESS TO	ACCESS IDENTIFYING NUMBER	ACCESS TO
191A	LOWER LEFT FUSELAGE, FS 737.5 TO FS 789.0	195F	LOWER FUSELAGE, FS 1403.0 TO FS 1443.0
191B	LOWER LEFT FUSELAGE, FS 789.0 TO FS 865.0	195G	LOWER FUSELAGE, FS 1363.0 TO FS 1480.0
191C	LOWER LEFT FUSELAGE, FS 865.0 TO FS 901.0	195H	LOWER FUSELAGE, FS 1443.0 TO FS 1480.0
191D	LOWER LEFT FUSELAGE, FS 901.0 TO FS 943.0	195J	LOWER FUSELAGE, FS 1480.2 TO FS 1523.4
191E	LOWER LEFT FUSELAGE, FS 943.0 TO FS 983.0	195K	LOWER FUSELAGE, FS 1523.4 TO FS 1605.0
191F	LOWER LEFT FUSELAGE, FS 983.0 TO FS 983.0	195L	LOWER FUSELAGE, FS 1605.0 TO FS 1665.0
193A	LOWER FUSELAGE SKIN, FS 983.0 TO FS 1043.0	197A	UPPER WING TO FUS, FS 943.0 TO FS 983.0
193B	ADF ANTENNA HOUSING, FS 1043.0 TO FS 1103.0	197B	UPPER WING TO FUS, FS 983.0 TO FS 1096.4
193C	LOWER FUSELAGE SKIN, FS 1043.0 TO FS 1103.0	197C	UPPER WING TO FUS, FS 1096.4 TO FS 1212.8
193D	LOWER FUSELAGE SKIN, FS 1103.0 TO FS 1163.0	197D	UPPER WING TO FUS, FS 1212.8 TO FS 1263.2
193E	LOWER FUSELAGE SKIN, FS 1103.0 TO FS 1210.9	197D-1	UPPER WING TO FUS, FS 1263.2 TO FS 1323.1
193F	GROUND CONTROL FOR MLG DOORS	197E	UPPER WING TO FUS, FS 1323.1 TO FS 1480.2
195A	LOWER FUSELAGE SKIN, FS 1393.0 TO FS 1403.0	197F	LOWER WING TO FUS, FS 983.0 TO FS 1103.0
195B	LOWER FUSELAGE SKIN, FS 1363.0 TO FS 1403.0	197G	LOWER WING TO FUS, FS 1103.0 TO FS 1210.9
195C	LOWER FUSELAGE SKIN, FS 1403.0 TO FS 1443.0	197H	LOWER WING TO FUS, FS 1210.9 TO FS 1283.0
195D	ATM REMOVE/INSPECT, FS 1403.0 TO FS 1443.0	197J	LOWER WING TO FUS, FS 1283.0 TO FS 1363.0
195E	ATM SERVICE/INSPECT, FS 1403.0 TO FS 1443.0	197K	LOWER WING TO FUS, FS 1363.0 TO FS 1403.0
		197L	LOWER WING TO FUS, FS 1403.0 TO FS 1480.2

HH 4467 MI-0103-06-022

EXTERIOR ACCESS DOORS & PANELS, ZONE 190 FAIRINGS & FILLETS, LEFT SIDE

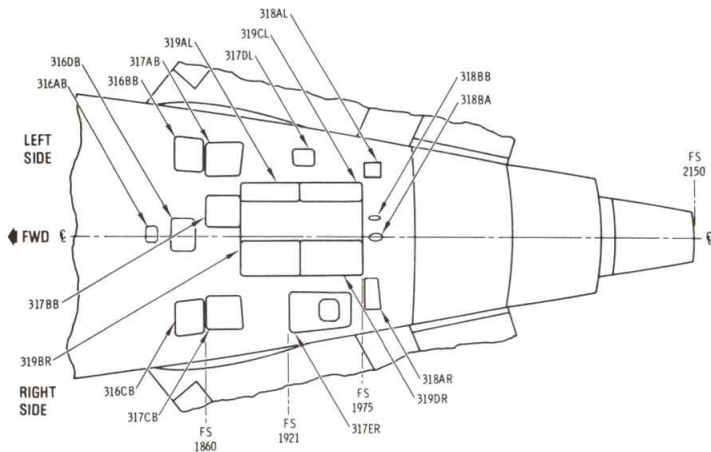
FIGURE 42



ACCESS IDENTIFYING NUMBER	ACCESS TO	ACCESS IDENTIFYING NUMBER	ACCESS TO
192A	LOWER FUSELAGE, FS 737.5 TO FS 794.6	196D	ATM REMOVAL/INSPECTION FS 1403.0 TO FS 1443.0
192B	LOWER FUSELAGE, FS 794.6 TO FS 828.3	196E	ATM SERVICING/INSPECTION, FS 1403.0 TO FS 1443.0
192C	GALLEY DOOR OUTER SKIN, FS 793.62 TO FS 828.38	196F	LOWER FUSELAGE, FS 1403.0 TO FS 1443.0
192D	LOWER FUSELAGE, FS 828.3 TO FS 865.0	196G	LOWER FUSELAGE FS 1363.0 TO FS 1443.0
192E	LOWER FUSELAGE, FS 865.0 TO FS 883.0	196H	LOWER FUSELAGE, FS 1480.2 TO FS 1545.0
192F	POTABLE WATER SERVICE DOOR, FS 883.0 TO FS 901.0	196K	CENTER CARGO COMPARTMENT DOOR SKIN, FS 1551.9 TO FS 1625.0
192G	LOWER FUSELAGE, FS 865.0 TO FS 901.0	196L	LOWER FUSELAGE, FS 1605.0 TO FS 1665.0
192H	LOWER FUSELAGE, FS 901.0 TO FS 943.0	198A	UPPER WING TO FUSELAGE, FS 943.0 TO FS 983.0
192J	LOWER FUSELAGE, FS 943.0 TO FS 963.0	198B	UPPER WING TO FUSELAGE, FS 983.0 TO FS 1103.0
192K	MID-ELECTRICAL SERVICE CENTER ACCESS DOOR	198C	UPPER WING TO FUSELAGE, FS 1103.0 TO FS 1210.9
192L	LOWER FUSELAGE, FS 943.0 TO FS 983.0	198D	UPPER WING TO FUSELAGE, FS 1210.9 TO FS 1323.1
194A	LOWER FUSELAGE, FS 983.0 TO FS 104.3	198E	UPPER WING TO FUSELAGE, FS 1323.1 to FS 1480.2
194B	LOWER FUSELAGE, FS 1043.0 TO FS 1103.0	198F	LOWER WING TO FUSELAGE, FS 983.0 TO FS 1103.0
194C	ADF ANTENNA HOUSING, FS 1103.0 TO FS 1163.0	198G	LOWER WING TO FUSELAGE, FS 1103.0 TO FS 1210.9
194D	LOWER FUSELAGE, FS 1163.0 TO FS 1163.0	198H	LOWER WING TO FUSELAGE, FS 1210.9 TO FS 1283.0
194E	LOWER FUSELAGE, FS 1163.0 TO FS 1210.9	198J	LOWER WING TO FUSELAGE, FS 1283.0 TO FS 1363.0
194F	GROUND CONTROL FOR MLG DOORS	198K	LOWER WING TO FUSELAGE, FS 1363.0 TO FS 1403.0
196A	LOWER FUSELAGE SKIN FS 1383.0 TO FS 1403.0	198L	LOWER WING TO FUSELAGE, FS 1403.0 TO FS 1480.2
196B	LOWER FUSELAGE SKIN FS 1363.0 TO FS 1403.0		
196C	LOWER FUSELAGE SKIN FS 1403.0 TO FS 1443.0		

HH 4466 M1-0102-06-021

**EXTERIOR ACCESS DOORS & PANELS,
ZONE 190 FAIRINGS & FILLETS, RIGHT SIDE** FIGURE 43



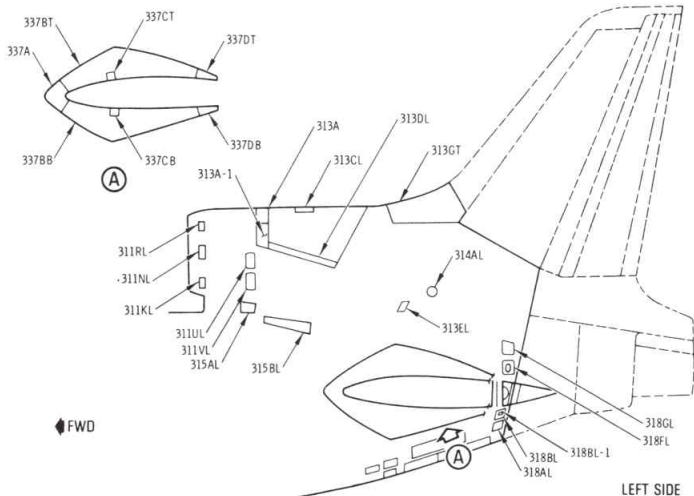
BOTTOM VIEW LOOKING UP

ACCESS IDENTIFICATION NUMBER	ACCESS TO
316AB	AFTERBODY WASHOUT OPENING
316BB	AFT PITCH COUPLER: STABILIZER CONTROL LINKAGE AND SERVO PLUMBING, LEFT SIDE
316CB	STABILIZER CONTROL LINKAGE AND SERVO PLUMBING, RIGHT SIDE
316DB	STABILIZER AUTOPILOT SERVO
317AB	STABILIZER SERVO, LEFT
317BB	HORIZONTAL STABILIZER ACTUATORS: FIRE EXTINGUISHING BOTTLES; PITCH ELECTRICAL FEEL/TRIM ASSY
317CB	STABILIZER SERVO RIGHT: PITCH MECHANICAL FEEL/TRIM ASSEMBLY
317DL	BLEED AIR SYSTEM DUCT
317ER	APU ACCESS
318AL	PIVOT BEARING, LEFT
318AR	PIVOT BEARING, RIGHT
318BA	TAIL SKID SERVICING
318BB	INTERPHONE JACK AND LIGHT SWITCH
319AL	APU COMPARTMENT
319BR	APU COMPARTMENT
319CL	APU COMPARTMENT
319DR	APU SERVICING

MI-0105-06-007

EXTERIOR ACCESS DOORS & PANELS, ZONE 300 EMPENNAGE & AFTERBODY

FIGURE 44



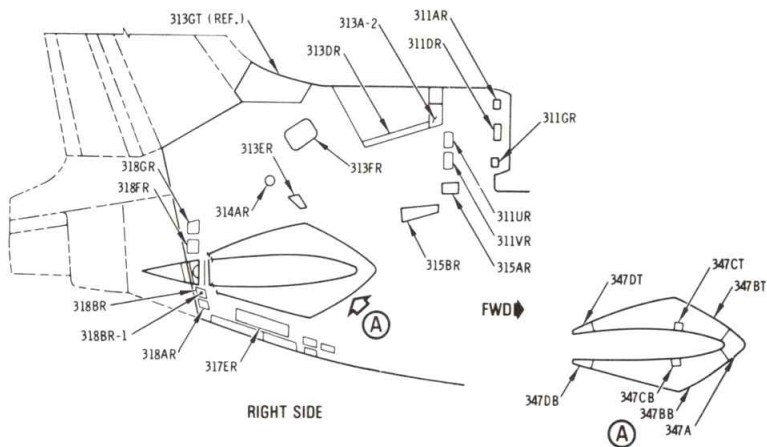
ACCESS IDENT. NUMBER LEFT	ACCESS TO
311KL 311NL 311RL 311UL 311VL	INLET ANTI-ICING RING FRAME INLET ANTI-ICING RING FRAME INLET ANTI-ICING RING FRAME S-DUCT TO INLET MOUNT BOLTS S-DUCT TO INLET MOUNT BOLTS
313A 313A-1	CENTER ENGINE AIR INLET MOUNT BOLTS; ANTI-ICING DUCTING; S-DUCT ATTACH BOLTS
313CL 313DL 313EL 313GT	ANTI-ICING DUCT INSPECTION AND REPAIR DORSAL SADDLE MOUNT BOLTS S-DUCT SUPPORT BOLTS HIGH-FREQUENCY ANTENNA
314AL	STRUCTURE
315AL 315BL	S-DUCT TO INLET MOUNT BOLT FILLET AREA, CENTER ENGINE INLET TO FUSELAGE

ACCESS IDENT. NUMBER LEFT	ACCESS TO
318AL 318BL 318BL-1 318FL 318GL	STARTER CONTROL VALVE HORIZONTAL STABILIZER PIVOT BEARING PIVOT BEARING LUBRICATION APU LOAD COMPRESSOR AIR INLET ACTUATOR STRUCTURE AND SYSTEMS INSPECTION
337A 337BT 337CT 337DT 337BB 337CB 337DB	AIRGATE REMOVE AND ATTACH AIRGATE REMOVE AND ATTACH AIRGATE FAIRING ATTACHMENT AIRGATE FAIRING ATTACHMENT AIRGATE REMOVE AND ATTACH AIRGATE FAIRING ATTACHMENT AIRGATE FAIRING ATTACHMENT

HH 4544
M1-0102-06 045

EXTERIOR ACCESS DOORS & PANELS, ZONE 300 AFTERBODY, LEFT SIDE

FIGURE 45

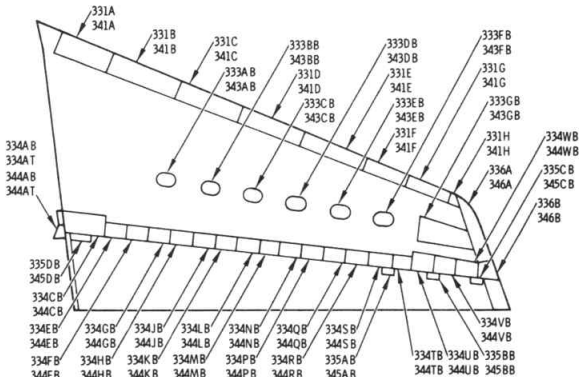


ACCESS IDENT. NUMBER	ACCESS TO	ACCESS IDENT. NUMBER	ACCESS TO
311AR	INLET ANTI-ICING RING FRAME	315AR	S-DUCT TO INLET MOUNT BOLTS
311DR	INLET ANTI-ICING RING FRAME	315BR	FILLET AREA, CENTER ENGINE INLET TO FUSELAGE
311GR	INLET ANTI-ICING RING FRAME	317ER	APU EXHAUST SHROUD
311UR	S-DUCT TO INLET MOUNT BOLTS	318AR	STRUCTURE AND SYSTEMS INSPECTION
311VR	S-DUCT TO INLET MOUNT BOLTS	318BR	HORIZONTAL STABILIZER
313A-2	ANTI-ICING DUCTING, S-DUCT ATTACH BOLTS	318BR-1	PIVOT BEARING LUBRICATION AND INSPECTION
313DR	DORSAL SADDLE MOUNT BOLTS	318R	APU COMPARTMENT VENT LINE
313ER	S-DUCT SUPPORT BOLTS	318GR	STRUCTURE AND SYSTEMS INSPECTION
313FR	INTERNAL AREAS OF UPPER AFTERBODY	347A	AIRGATE REMOVE AND ATTACH
314AR	STRUCTURAL INSPECTION	347BB	AIRGATE REMOVE AND ATTACH
		347BT	AIRGATE REMOVE AND ATTACH
		347CB	AIRGATE FAIRING ATTACHMENT
		347CT	AIRGATE FAIRING ATTACHMENT
		347DB	AIRGATE FAIRING ATTACHMENT
		347DT	AIRGATE FAIRING ATTACHMENT

HH 4851
M1-0104-06-044

EXTERIOR ACCESS DOORS & PANELS, ZONE 300 AFTERBODY, RIGHT SIDE

FIGURE 46



LEFT SIDE BOTTOM VIEW LOOKING UP
RIGHT SIDE OPPOSITE

ACCESS IDENTIFICATION NUMBER		ACCESS TO
LEFT	RIGHT	
331A	341A	HORIZ STAB, LEADING EDGE
331B	341B	HORIZ STAB, LEADING EDGE
331C	341C	HORIZ STAB, LEADING EDGE
331D	341D	HORIZ STAB, LEADING EDGE
331E	341E	HORIZ STAB, LEADING EDGE
331F	341F	HORIZ STAB, LEADING EDGE
331G	341G	HORIZ STAB, LEADING EDGE
331H	341H	HORIZ STAB, LEADING EDGE
333AB	343AB	HORIZ STAB, STRUCTURE
333BB	343BB	HORIZ STAB, STRUCTURE
333CB	343CB	HORIZ STAB, STRUCTURE
333DB	343DB	HORIZ STAB, STRUCTURE
333EB	343EB	HORIZ STAB, STRUCTURE
333FB	343FB	HORIZ STAB, STRUCTURE
333CB	343CB	HORIZ STAB, OUTER BOX
334AT	344AT	HORIZ STAB, TO AFTERBODY SEAL
334AB	344AB	HORIZ STAB, TO AFTERBODY SEAL
334CB	344CB	ELEV DRIVE MECHANISM; ELEV AFT DRIVE QUADRANT
334DB	344DB	NOS. 1 AND 2 HINGE BEARING
334EB	344EB	ELEVATOR HINGE BEARING

ACCESS IDENTIFICATION NUMBER		ACCESS TO
LEFT	RIGHT	
334FB	344FB	ELEVATOR HINGE BEARING
334GB	344GB	HORIZ STAB, TRAILING EDGE
334HB	344HB	ELEV HINGE BEARING, CBAL WEIGHT
334JB	344JB	ELEV HINGE BEARING, CBAL WEIGHT
334KB	344KB	COUNTERBALANCE WEIGHT
334LB	344LB	ELEV HINGE BEARING, CBAL WEIGHT
334MB	344MB	ELEV HINGE BEARING, CBAL WEIGHT
334NB	344NB	COUNTERBALANCE WEIGHT
334PB	344PB	ELEV HINGE BEARING, CBAL WEIGHT
334QB	344QB	ELEV HINGE BEARING, CBAL WEIGHT
334RB	344RB	COUNTERBALANCE WEIGHT
334SB	344SB	ELEV HINGE BEARING, CBAL WEIGHT
334TB	344TB	ELEV HINGE BEARING, CBAL WEIGHT
334UB	344UB	ELEV HINGE BEARING, CBAL WEIGHT
334VB	344VB	ELEV HINGE BEARING, CBAL WEIGHT
334WB	344WB	ELEV HINGE BEARING, CBAL WEIGHT
335AB	345AB	ELEV HINGE BEARING
335BB	345BB	ELEVATOR HINGE BEARING
335CB	345CB	ELEVATOR HINGE BEARING
336A	346A	HORIZ STAB, CLOSURE RIB
336B	346B	HORIZ STAB, TRAILING EDGE

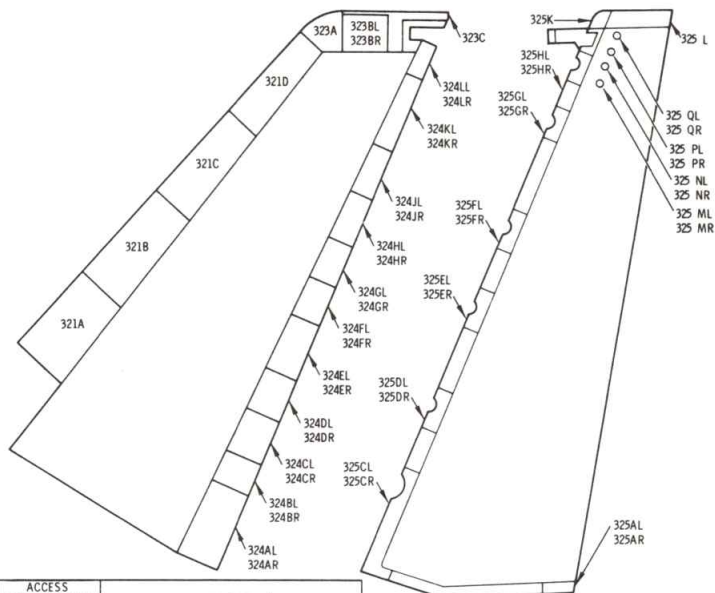
FWD

HH-4557

ML-0103-06-005

EXTERIOR ACCESS DOORS AND PANELS, ZONE 300 HORIZONTAL STABILIZER & ELEVATOR

FIGURE 47



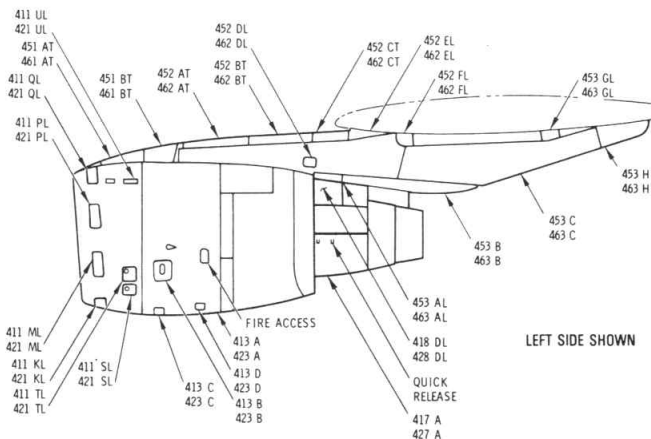
ACCESS IDENTIFICATION NUMBER		ACCESS TO
LEFT	RIGHT	
321A		VERTICAL STAB. FRONT SPAR
321B		VERTICAL STAB. FRONT SPAR
321C		VERTICAL STAB. FRONT SPAR
321D		VERTICAL STAB. FRONT SPAR
323A		VERTICAL STAB. FRONT SPAR
323BL	323BR	VOR ANTENNA AND COUPLER
323C		TIP AREA
324AL	324AR	RUDDER HINGE, FUNCTIONAL COMPONENTS
324BL	324BR	VERTICAL STAB. REAR SPAR
324CL	324CR	RUDDER HINGE, DAMPER
324DL	324DR	VERTICAL STAB. REAR SPAR
324EL	324ER	RUDDER HINGE, DAMPER
324FL	324FR	VERTICAL STAB. REAR SPAR
324GL	324GR	RUDDER HINGE, DAMPER
324HL	324HR	VERTICAL STAB. REAR SPAR
324JL	324JR	RUDDER HINGE, DAMPER
324KL	324KR	VERTICAL STAB. REAR SPAR

ACCESS IDENTIFICATION NUMBER		ACCESS TO
LEFT	RIGHT	
324LL	324LR	RUDDER HINGE
325AL	325AR	RUDDER BASE REMOVAL CLEARANCE
325CL	325CR	RUDDER HINGE BEARING
325DL	325DR	RUDDER HINGE BEARING
325EL	325ER	RUDDER HINGE BEARING
325FL	325FR	RUDDER HINGE BEARING
325GL	325GR	RUDDER HINGE BEARING
325HL	325HR	RUDDER HINGE BEARING
325K		TOP RUDDER CLOSURE RIB
325L		TOP RUDDER CLOSURE RIB
325ML	325MR	CBAL BEAM ATTACH, INSPECTION
325NL	325NR	CBAL BEAM ATTACH, INSPECTION
325PL	325PR	CBAL BEAM ATTACH, INSPECTION
325QL	325QR	CBAL BEAM ATTACH, INSPECTION

MI-0102-06-006

EXTERIOR ACCESS DOORS & PANELS, ZONE 300 VERTICAL STABILIZER & RUDDER

FIGURE 48

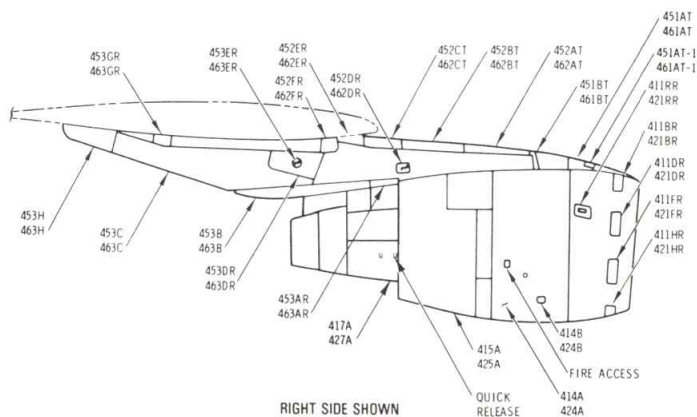


ACCESS IDENTIFICATION NUMBER		ACCESS TO	ACCESS IDENTIFICATION NUMBER		ACCESS TO
411KL	421KL	INLET ANTI-ICING RING FRAME	452DL	462DL	REAR ENGINE MOUNT
411ML	421ML	INLET ANTI-ICING RING FRAME	452EL	462EL	PYLON
411PL	421PL	INLET ANTI-ICING RING FRAME	452FL	462FL	PYLON MOUNT BOLT
411QL	421QL	INLET ANTI-ICING RING FRAME	453AL	463AL	DRAG LINK BOLT
411SL	421SL	FIRE EXTINGUISHER BOTTLE	453B	463B	PYLON FAIRING
411TL	421TL	FIRE EXTINGUISHER BOTTLE	453C	463C	PYLON FAIRING
411UL	421UL	VENTILATION SHUT OFF VALVE	453GL	463GL	PYLON MOUNT BOLT
			453H	463H	PYLON FAIRING
413A	423A	ENGINE ACCESSORIES			
413B	423B	OIL FILTER AND SERVICING			
413C	423C	STARTER OIL PRESSURE FILLER			
413D	423D	IDG OIL PRESSURE FILLER			
417A	427A	TURBINE SECTION			
418DL	428DL	AIR MOTOR			
451AT	461AT	NOSE FAIRING, FWD			
451BT	461BT	PYLON			
452AT	462AT	CABLE TENSION REGULATOR			
452BT	462BT	PYLON			
452CT	462CT	TEMPERATURE SENSOR			

M1-0103-06-039

EXTERIOR ACCESS DOORS & PANELS, ZONE 400 POWER PLANT & PYLON, LEFT SIDE

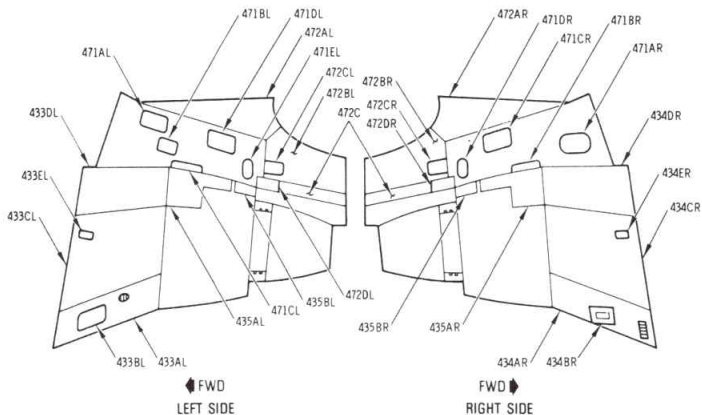
FIGURE 49



ACCESS IDENTIFICATION NUMBER		ACCESS TO	ACCESS IDENTIFICATION NUMBER		ACCESS TO
411BR	421BR	INLET ANTI-ICING RING FRAME INLET ANTI-ICING RING FRAME INLET ANTI-ICING RING FRAME INLET ANTI-ICING RING FRAME THERMAL ANTI-ICING VALVE ACCESSORY SECTION STARTER TURBINE SECTION NOSE FAIRING FWD PI PROBE ELECTRICAL AND HYDRAULIC CONNECTIONS	452AT	462AT	CABLE TENSION REGULATOR PYLON, CABLE TENSION REGULATOR PYLON, TEMPERATURE SENSOR REAR ENGINE MOUNT PYLON PYLON MOUNT BOLT DRAG LINK BOLT PYLON FAIRING PYLON FAIRING REAR ENGINE MOUNT HYDRAULIC FILTER POPOUT INDICATOR PYLON MOUNT BOLT PYLON FAIRING
411DR	421DR		452BT	462BT	
411FR	421FR		452CT	462CT	
411HR	421HR		452DR	462DR	
411RR	421RR		452ER	462ER	
414A	424A		452FR	462FR	
414B	424B		453AR	463AR	
417A	427A		453B	463B	
451AT	461AT		453C	463C	
451AT-1	461AT-1		453DR	463DR	
451BT	461BT		453ER	463ER	
			453GR	463GR	
			453H	463H	

EXTERIOR ACCESS DOORS & PANELS, ZONE 400 POWER PLANT & PYLON, RIGHT SIDE

FIGURE 50

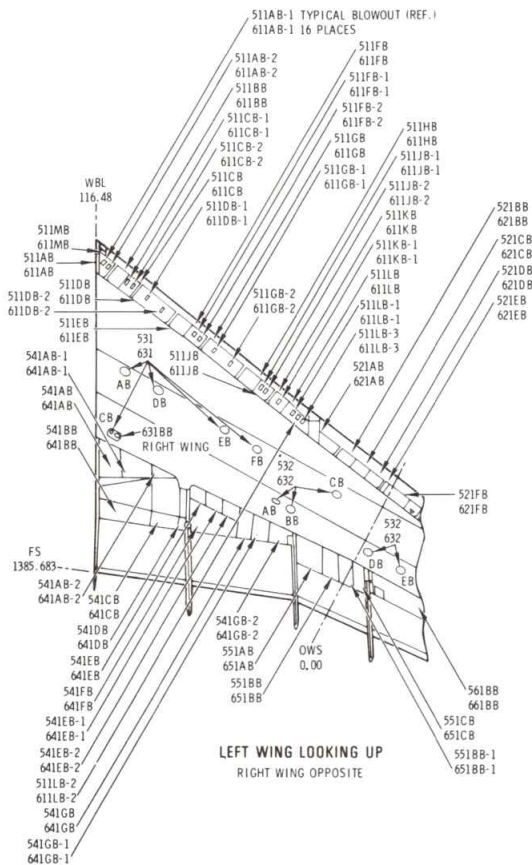


ACCESS IDENTIFYING NUMBER	ACCESS IDENTIFYING NUMBER	ACCESS TO
LEFT	RIGHT	
433AL	434AR	ENGINE, STARTER, IDG, ACCESSORIES, TAIL SKID
433BL	434BR	ENGINE ACCESSORIES, STARTER, IDG, HYDRAULIC PUMPS
433CL	434CR	ENGINE REMOVAL/INSTALLATION
433DL	434DR	ENGINE ACCESSORIES, CONTROLS
43BL	434ER	MID FIXED COWL ATTACH BOLTS
435AL	435AR	COMBUSTION SECTION, UPPER FAIRING
435BL	435BR	REAR COWL PANEL
471AL	471AR	CABLE TENSION REGULATOR
471BL	471BR	ENGINE SUPPORT STRUCTURE, PRESSURE SWITCH
	471BR	ENGINE MOUNT
471CL		ENGINE MOUNT
	471CR	AIR INLET CONTROL VALVE
471DL		AIR INLET CONTROL VALVE
	471DR	ENGINE REAR MOUNT
		ENGINE REAR MOUNT
471EL	472AR	FAIRING INSTALLATION, UPPER ENGINE SUPPORT STRUCTURE
472AL	472BR	FAIRING INSTALLATION, AFT ENGINE SUPPORT STRUCTURE
472BL		ENGINE REMOVAL/INSTALLATION
472C	472CR	BOOTSTRAP INSTALLATION
472CL	472DR	GLOVE FAIRING ATTACH PIN
472DL		

M1-0103-06-046

EXTERIOR ACCESS DOORS & PANELS, ZONE 400 NO. 2 POWER PLANT

FIGURE 51

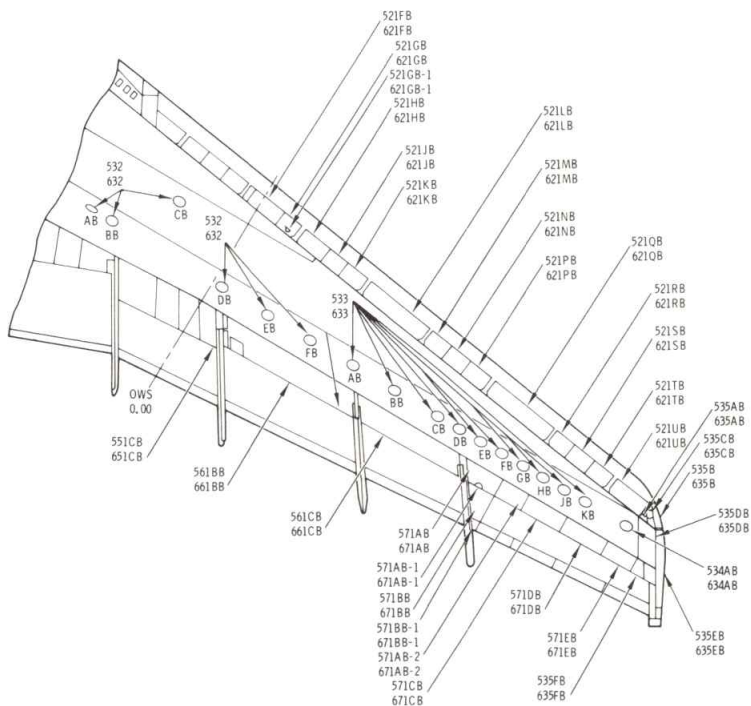


**EXTERIOR ACCESS DOORS AND PANELS, ZONES 500
AND 600 INNER WING, BOTTOM SURFACE,
WBL 116.0 TO OWS 0.00**

FIGURE 52

ACCESS IDENTIFICATION NUMBER		ACCESS TO	ACCESS IDENTIFICATION NUMBER		ACCESS TO
LEFT	RIGHT		LEFT	RIGHT	
511AB	611AB	WING LEADING EDGE, FRONT SPAR AND SLAT DRIVE	521CB	621CB	WING LEADING EDGE, FRONT SPAR AND SLAT DRIVE
511AB-1	611AB-1	WING LEADING EDGE, FRONT SPAR AND SLAT DRIVE	521DB	621DB	WING LEADING EDGE, FRONT SPAR AND SLAT DRIVE
511AB-2	611AB-2	WING LEADING EDGE, FRONT SPAR AND SLAT DRIVE	521EB	621EB	WING LEADING EDGE, FRONT SPAR AND SLAT DRIVE
511BB	611BB	WING LEADING EDGE, FRONT SPAR AND SLAT DRIVE	521FB	621FB	REFUELLING PANEL
511CB	611CB	WING LEADING EDGE, FRONT SPAR AND SLAT DRIVE	531AB	631AB	INBOARD TANK INTERIOR
511CB-1	611CB-1	WING LEADING EDGE, FRONT SPAR AND SLAT DRIVE	531CB	631CB	INBOARD TANK INTERIOR
511CB-2	611CB-2	WING LEADING EDGE, FRONT SPAR AND SLAT DRIVE	531DB	631DB	INBOARD TANK INTERIOR
511DB	611DB	WING LEADING EDGE, FRONT SPAR AND SLAT DRIVE	531EB	631EB	INBOARD TANK INTERIOR
511DB-1	611DB-1	WING LEADING EDGE, FRONT SPAR AND SLAT DRIVE	531FB	631FB	INBOARD TANK INTERIOR
511DB-2	611DB-2	WING LEADING EDGE, FRONT SPAR AND SLAT DRIVE	532AB	632AB	DUAL BOOST PUMP
511EB	611EB	WING LEADING EDGE, FRONT SPAR AND SLAT DRIVE	532BB	632BB	SURGE BOX
511FB	611FB	WING LEADING EDGE, FRONT SPAR AND SLAT DRIVE	532CB	632CB	OUTBOARD TANK
511FB-1	611FB-1	WING LEADING EDGE, FRONT SPAR AND SLAT DRIVE	541AB	641AB	REAR SPAR TO FLAP AREA
511FB-2	611FB-2	WING LEADING EDGE, FRONT SPAR AND SLAT DRIVE	541AB-1	641AB-1	REAR SPAR TO FLAP AREA
511GB	611GB	WING LEADING EDGE, FRONT SPAR AND SLAT DRIVE	541AB-2	641AB-2	REAR SPAR TO FLAP AREA
511GB-1	611GB-1	WING LEADING EDGE, FRONT SPAR AND SLAT DRIVE	541BB	641BB	REAR SPAR TO FLAP AREA
511GB-2	611GB-2	WING LEADING EDGE, FRONT SPAR AND SLAT DRIVE	541CB	641CB	REAR SPAR TO FLAP AREA
511HB	611HB	WING LEADING EDGE, FRONT SPAR AND SLAT DRIVE	541DB	641DB	REAR SPAR TO FLAP AREA
511JB	611JB	WING LEADING EDGE, FRONT SPAR AND SLAT DRIVE	541EB	641EB	REAR SPAR TO FLAP AREA
511JB-1	611JB-1	WING LEADING EDGE, FRONT SPAR AND SLAT DRIVE	541EB-1	641EB-1	REAR SPAR TO FLAP AREA
511JB-2	611JB-2	WING LEADING EDGE, FRONT SPAR AND SLAT DRIVE	541EB-2	641EB-2	REAR SPAR TO FLAP AREA
511KB	611KB	WING LEADING EDGE, FRONT SPAR AND SLAT DRIVE	541FB	641FB	REAR SPAR TO FLAP AREA
511KB-1	611KB-1	WING LEADING EDGE, FRONT SPAR AND SLAT DRIVE	541GB	641GB	REAR SPAR TO FLAP AREA
511LB	611LB	CENTER LEADING EDGE AND BLEED AIR MANUAL OVERRIDE VALVE	541GB-1	641GB-1	REAR SPAR TO FLAP AREA
511LB-1	611LB-1	CENTER LEADING EDGE AND BLEED AIR MANUAL OVERRIDE VALVE	541GB-2	641GB-2	REAR SPAR TO FLAP AREA
511LB-2	611LB-2	CENTER LEADING EDGE AND BLEED AIR MANUAL OVERRIDE VALVE	551AB	651AB	REAR SPAR TO INBOARD AILERON
511LB-3	611LB-3	CENTER LEADING EDGE AND BLEED AIR MANUAL OVERRIDE VALVE	551BB	651BB	REAR SPAR TO INBOARD AILERON
511MB	611MB	LANDING LIGHT			
521AB	621AB	WING LEADING EDGE, FRONT SPAR AND SLAT DRIVE			
521BB	621BB	WING LEADING EDGE, FRONT SPAR AND SLAT DRIVE			

**EXTERIOR ACCESS DOORS & PANELS,
ZONES 500 & 600 INNER WING BOTTOM
SURFACE, WBL 116.0 TO OWS 0.00**



**EXTERIOR ACCESS DOORS & PANELS,
ZONES 500 & 600 OUTER WING BOTTOM SURFACE**

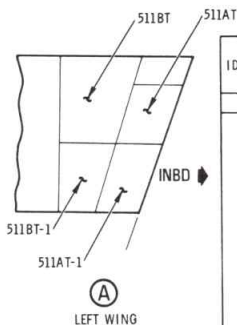
FIGURE 54

ACCESS IDENTIFICATION NUMBER		ACCESS TO
LEFT	RIGHT	
521FB	421FB	REFUELING PANEL
521GB	621GB	WING LEADING EDGE, FRONT SPAR AND SLAT DRIVE
521GB-1	621GB-1	WING LEADING EDGE, FRONT SPAR AND SLAT DRIVE
521HB	621HB	WING LEADING EDGE, FRONT SPAR AND SLAT DRIVE
521JB	621JB	WING LEADING EDGE, FRONT SPAR AND SLAT DRIVE
521KB	621KB	WING LEADING EDGE, FRONT SPAR AND SLAT DRIVE
521LB	621LB	WING LEADING EDGE, FRONT SPAR AND SLAT DRIVE
521MB	621MB	WING LEADING EDGE, FRONT SPAR AND SLAT DRIVE
521NB	621NB	WING LEADING EDGE, FRONT SPAR AND SLAT DRIVE
521PB	621PB	WING LEADING EDGE, FRONT SPAR AND SLAT DRIVE
521QB	621QB	WING LEADING EDGE, FRONT SPAR AND SLAT DRIVE
521RB	621RB	WING LEADING EDGE, FRONT SPAR AND SLAT DRIVE
521SB	621SB	WING LEADING EDGE, FRONT SPAR AND SLAT DRIVE
521TB	621TB	WING LEADING EDGE, FRONT SPAR AND SLAT DRIVE
521UB	621UB	WING LEADING EDGE, FRONT SPAR AND SLAT DRIVE
532AB	632AB	DUAL BOOST PUMP
532BB	632BB	SURGE BOX
532CB	632CB	OUTBOARD TANK INTERIOR
532DB	632DB	OUTBOARD TANK INTERIOR
532EB	632EB	OUTBOARD TANK INTERIOR
532FB	632FB	OUTBOARD TANK INTERIOR
533AB	633AB	OUTBOARD TANK INTERIOR
533BB	633BB	OUTBOARD TANK INTERIOR
533CB	633CB	OUTBOARD TANK INTERIOR
533DB	633DB	OUTBOARD TANK INTERIOR
533EB	633EB	OUTBOARD TANK INTERIOR
533FB	633FB	OUTBOARD TANK INTERIOR
533GB	633GB	OUTBOARD TANK INTERIOR
533HB	633HB	OUTBOARD TANK INTERIOR
533JB	633JB	OUTBOARD TANK INTERIOR
533KB	633KB	OUTBOARD TANK INTERIOR
534AB	634AB	VENT BOX INTERIOR
535AB	635AB	WING TIP STRUCTURE
535B	635B	WING TIP CAP
535CB	635CB	WING POSITION LIGHT
535DB	635DB	WING TIP PANEL
535EB	635EB	WING TIP STRUCTURE
535FB	635FB	WING TIP STRUCTURE
551CB	651CB	REAR SPAR, OUTBOARD AILERON
561BB	661BB	REAR SPAR AND FLAP AREA
561CB	661CB	REAR SPAR AND FLAP AREA
571AB	671AB	REAR SPAR AND OUTBOARD AILERON
571AB-1	671AB-1	WING FLAP ASYMMETRY SWITCH
571AB-2	671AB-2	REAR SPAR AND OUTBOARD AILERON
571BB	671BB	REAR SPAR AND OUTBOARD AILERON
571BB-1	671BB-1	OUTBOARD AILERON
571CB	671CB	REAR SPAR AND OUTBOARD AILERON
571DB	671DB	REAR SPAR AND OUTBOARD AILERON
571EB	671EB	REAR SPAR AND OUTBOARD AILERON

G 1611
M1-0102-06-010

EXTERIOR ACCESS DOORS & PANELS, ZONES 500 & 600 OUTER WING, BOTTOM SURFACE

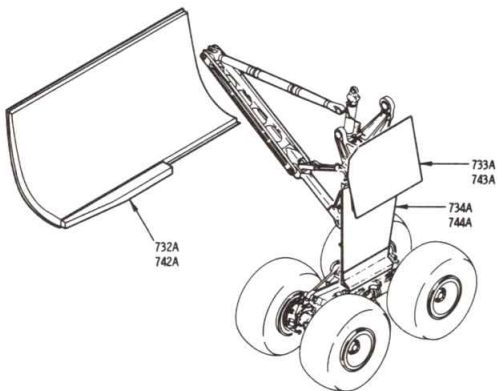
FIGURE 55



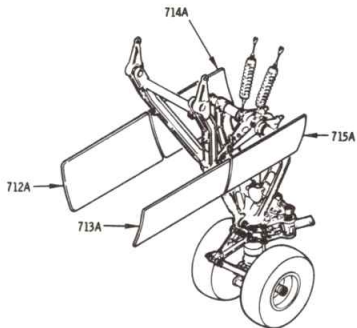
ACCESS IDENTIFICATION NUMBER	ACCESS IDENTIFICATION NUMBER	ACCESS TO
LEFT	RIGHT	
511AT	611AT	ANGLE GEARBOX, SLAT CONTROL
511AT-1		ANGLE GEARBOX, SLAT CONTROL
511BT		POWER DRIVE UNIT
	611BT	ANGLE GEARBOX, SLAT CONTROL
511BT-1		POWER DRIVE UNIT
511CT	611CT	WIRING, DUCTING
511DT	611DT	NO. 1 SLAT ACTUATOR
511ET	611ET	NO. 2 SLAT ACTUATOR
511FT	611FT	NO. 3 SLAT ACTUATOR
511GT	611GT	WIRING, DUCTING, SLAT TORQUE TUBE
511HT	611HT	WIRING, DUCTING, SLAT TORQUE TUBE
511JT	611JT	WIRING, DUCTING, SLAT TORQUE TUBE
511KT	611KT	WIRING, DUCTING, SLAT TORQUE TUBE
511LT	611LT	WIRING, DUCTING, SLAT TORQUE TUBE
511MT	611MT	WIRING, DUCTING, SLAT TORQUE TUBE
511NT	611NT	WIRING, DUCTING, SLAT TORQUE TUBE
511PT	611PT	WIRING, DUCTING, SLAT TORQUE TUBE
511QT	611QT	WIRING, DUCTING, SLAT TORQUE TUBE
511RT	611RT	WIRING, DUCTING, SLAT TORQUE TUBE
521AT	621A T	WIRING, DUCTING, SLAT TORQUE TUBE
521BT	621B T	WIRING, DUCTING, SLAT TORQUE TUBE
521CT	621C T	WIRING, DUCTING, SLAT TORQUE TUBE
521DT	621D T	WIRING, DUCTING, SLAT TORQUE TUBE
521DT-1	621DT-1	WIRING, DUCTING, SLAT TORQUE TUBE
521DT-2	621DT-2	WIRING, DUCTING, SLAT TORQUE TUBE
521ET	621E T	WIRING, DUCTING, SLAT TORQUE TUBE
521FT	621F T	WIRING, DUCTING, SLAT TORQUE TUBE
521GT	621G T	WIRING, DUCTING, SLAT TORQUE TUBE
521HT	621H T	WIRING, DUCTING, SLAT TORQUE TUBE
521HT-1	621HT-1	WIRING, DUCTING, SLAT TORQUE TUBE
521HT-2	621HT-2	WIRING, DUCTING, SLAT TORQUE TUBE
521JT	621J T	WIRING, DUCTING, SLAT TORQUE TUBE
521KT	621K T	WIRING, DUCTING, SLAT TORQUE TUBE
521LT	621L T	WIRING, DUCTING, SLAT TORQUE TUBE
521MT	621M T	WIRING, DUCTING, SLAT TORQUE TUBE
521MT-1	621MT-1	WIRING, DUCTING, SLAT TORQUE TUBE
521MT-2	621MT-2	WIRING, DUCTING, SLAT TORQUE TUBE
521NT	621N T	WIRING, DUCTING, SLAT TORQUE TUBE
521PT	621P T	WIRING, DUCTING, SLAT TORQUE TUBE
521QT	621Q T	WIRING, DUCTING, SLAT TORQUE TUBE
521RT	621R T	WIRING, DUCTING, SLAT TORQUE TUBE
521RT-1	621RT-1	WIRING, DUCTING, SLAT TORQUE TUBE
521RT-2	621RT-2	WIRING, DUCTING, SLAT TORQUE TUBE
521ST	621S T	WIRING, DUCTING, SLAT TORQUE TUBE
521TT	621T T	WIRING, DUCTING, SLAT TORQUE TUBE
531AT	631A T	LEVEL CONTROL AND VENT
532AT	632A T	LEVEL CONTROL AND VENT
534AT	634A T	VENT BOX INTERIOR

G 1806
M1-0102-06-043

FIGURE 57



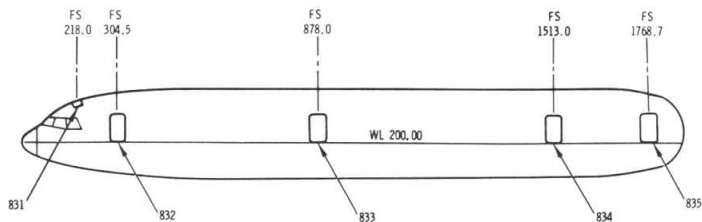
ACCESS IDENTIFYING NUMBER	ACCESS TO:
712A	NOSE LANDING GEAR, FWD, RIGHT
713A	NOSE LANDING GEAR, FWD, LEFT
714A	NOSE LANDING GEAR, AFT, RIGHT
715A	NOSE LANDING GEAR, AFT, LEFT
732A	MAIN LANDING GEAR, INBOARD, LEFT
733A	MAIN LANDING GEAR, OUTBOARD, LEFT
734A	MAIN LANDING GEAR, STRUT, LEFT
742A	MAIN LANDING GEAR, INBOARD, RIGHT
743A	MAIN LANDING GEAR, OUTBOARD, RIGHT
744A	MAIN LANDING GEAR, STRUT, RIGHT



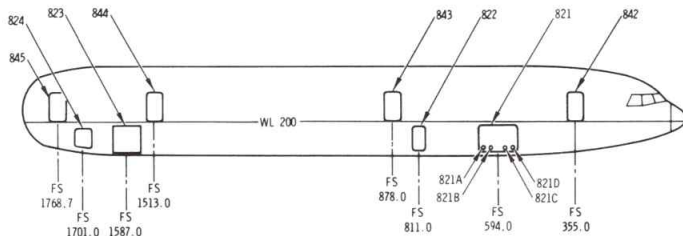
HH 5766
M1-A00-06-049

EXTERIOR ACCESS DOORS & PANELS, ZONE 700 NOSE & MAIN LANDING GEAR DOORS

FIGURE 58



LEFT SIDE VIEW



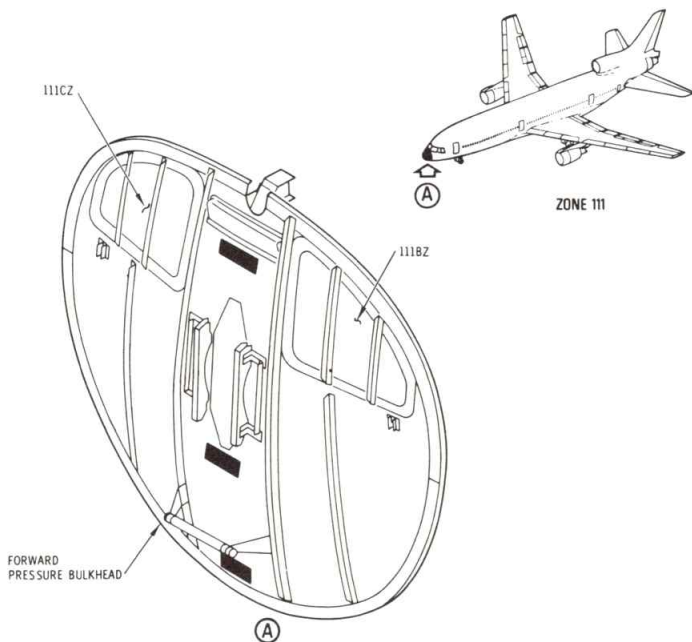
RIGHT SIDE VIEW

DOOR IDENTIFICATION	ACCESS TO	DOOR IDENTIFICATION	ACCESS TO
821	FORWARD CARGO COMPARTMENT	842	FORWARD PASSENGER COMPARTMENT
821A	ACCESS, DOOR MECHANISM	843	MID PASSENGER COMPARTMENT
821B	ACCESS, DOOR MECHANISM	844	AFT PASSENGER COMPARTMENT
821C	ACCESS, DOOR MECHANISM	845	AFT PASSENGER COMPARTMENT
821D	ACCESS, DOOR MECHANISM		
822	GALLEY		
823	CENTER CARGO COMPARTMENT		
824	AFT CARGO COMPARTMENT		
831	FLIGHT STATION		
832	FORWARD PASSENGER COMPARTMENT		
833	MID PASSENGER COMPARTMENT		
834	AFT PASSENGER COMPARTMENT		
835	AFT PASSENGER COMPARTMENT		

M1-9501-06-156

EXTERIOR ACCESSDOORS & PANELS, ZONE 800 DOORS, LEFT & RIGHT SIDE

FIGURE 59

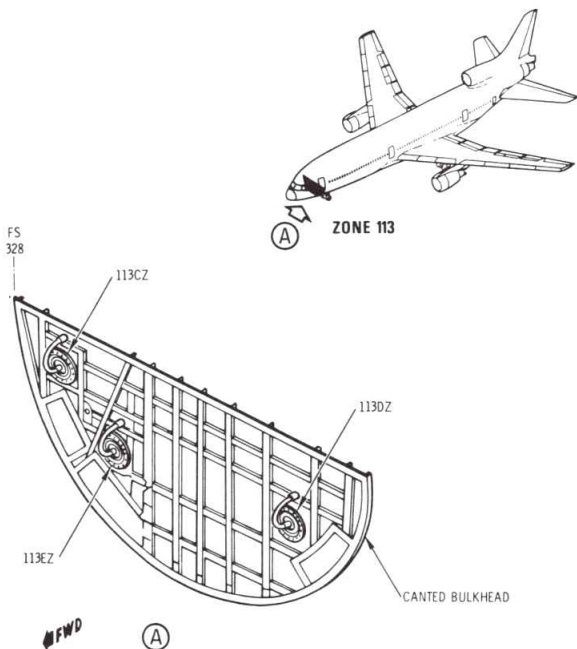


PANEL IDENTIFICATION NUMBER	DESCRIPTION/USE
111BZ	ACCESS, FLIGHT STATION FROM RADOME AREA - LEFT
111CZ	ACCESS, FLIGHT STATION FROM RADOME AREA - RIGHT

HH 7947
M1-0101-06-031

INTERIOR PANELS, ZONE 111, NOSE RADOME

FIGURE 60

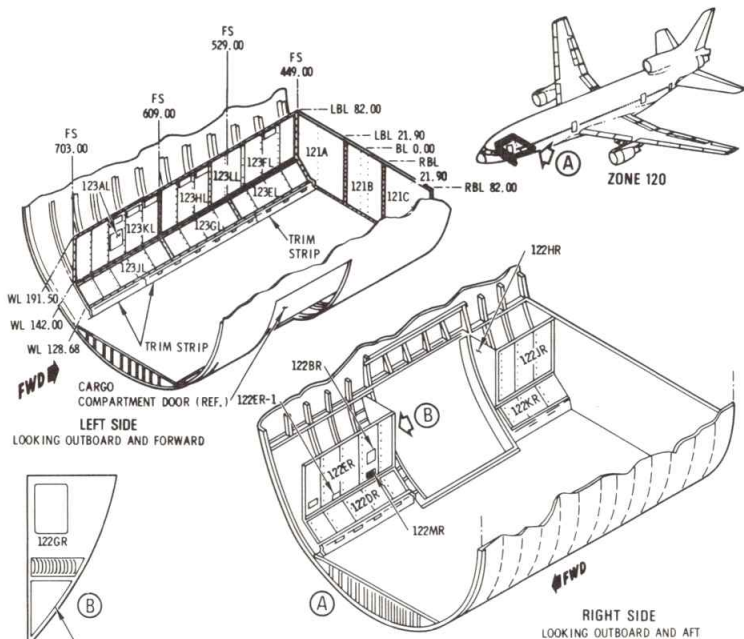


PANEL IDENTIFICATION NUMBER	DESCRIPTION / USE
113CZ	ACCESS, HEAT EXCHANGER HEADER CHECK VALVE
113DZ	ACCESS, HEAT EXCHANGER HEADER CHECK VALVE
113EZ	ACCESS, HEAT EXCHANGER HEADER CHECK VALVE

HA 0268
M1-0101-06-098

INTERIOR PANELS, ZONE 113, FORWARD FUSELAGE

FIGURE 61



FORWARD CARGO COMPARTMENT SIDEWALL LINER PANELS

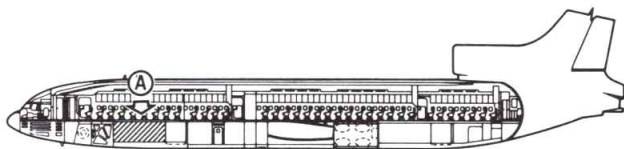
PANEL IDENTIFICATION NUMBER	DESCRIPTION/USE
121A	FWD BULKHEAD, FWD CARGO COMP'T
121B	FWD BULKHEAD, FWD CARGO COMP'T
121C	FWD BULKHEAD, FWD CARGO COMP'T
122BR	ACCESS, CARGO HEAT FAN
122BR	SLOPING SIDEWALL, STRUCT. FS 451 TO FS 529
122R	VERTICAL SIDEWALL, STRUCT. FS 451 TO FS 529
122R-1	ACCESS DOOR, STATIC DRAIN BOTTLES, CABIN SAFETY VALVE
122GR	ACCESS, LOADER CONTROL WIRING
122HR	PANEL, SIDEWALL CLOSURE
122JR	VERTICAL SIDEWALL, STRUCT. FS 649 TO FS 703

PANEL IDENTIFICATION NUMBER	DESCRIPTION/USE
122KR	SLOPING, SIDEWALL, STRUCT. FS 649 TO FS 703
122LR	OVER HEAT SWITCH CARGO HEAT SYSTEM, DOOR WARNING PROXIMITY SWITCH TERMINAL MODULE
122MR	THERMAL SWITCH CARGO HEAT SYSTEM
123AL	ACCESS, ECS DUCTING & HYDRAULIC LINES, ECS VALVE, GALLEY EXHAUST FAN AND VALVES
123EL	SLOPING SIDEWALL, STRUCT. FS 449 TO FS 529
123FL	VERTICAL SIDEWALL, STRUCT. FS 449 TO FS 509
123GL	SLOPING SIDEWALL, STRUCT. FS 529 TO FS 609
123HL	VERTICAL SIDEWALL, STRUCT. FS 549 TO FS 609
123JL	SLOPING SIDEWALL, STRUCT. FS 609 TO FS 703
123KL	VERTICAL SIDEWALL, STRUCT. FS 609 TO FS 703
123LL	VERTICAL SIDEWALL, STRUCT. FS 509 TO FS 549

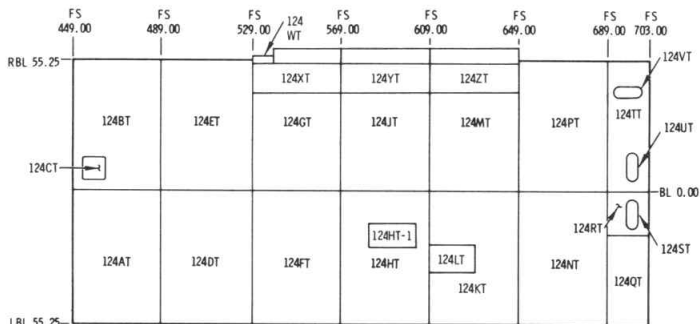
M1-9502-06-176

INTERIOR PANELS, ZONE 122-123 FORWARD CARGO COMPARTMENT

FIGURE 62



ZONE 124



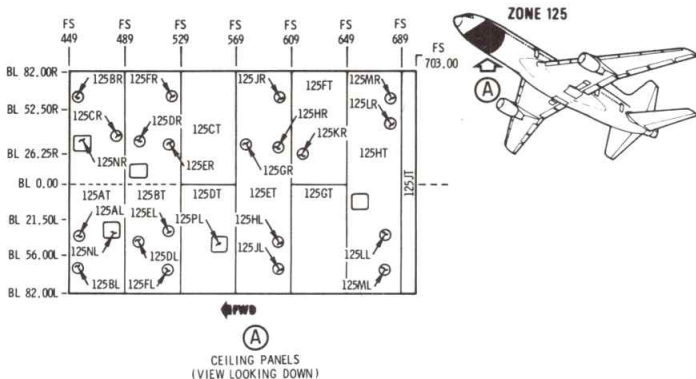
FORWARD CARGO COMPARTMENT FLOOR PANELS
(VIEW LOOKING DOWN)

PANEL IDENTIFICATION NUMBER	DESCRIPTION/USE	PANEL IDENTIFICATION NUMBER	DESCRIPTION/USE
124AT	FLOOR PANEL, STRUCT. FS 449 TO FS 489	124NT	FLOOR PANEL, STRUCT. FS 549 TO FS 609
124BT	FLOOR PANEL, STRUCT. FS 449 TO FS 489	124PT	FLOOR PANEL, STRUCT. FS 649 TO FS 689
124CT	ACCESS, EXTERNAL ELECT. PWR., RECEPTACLE	124QT	FLOOR PANEL, STRUCT. FS 689 TO FS 703
124DT	FLOOR PANEL, STRUCT. FS 489 TO FS 529	124RT	ACCESS, FLOOR DRAIN
124ET	FLOOR PANEL, STRUCT. FS 489 TO FS 529	124ST	ACCESS, SUMP DRAIN TANK VALVE
124FT	FLOOR PANEL, STRUCT. FS 529 TO FS 569	124TT	FLOOR PANEL, STRUCT. FS 689 TO FS 703, FLOOR DRAINS
124GT	FLOOR PANEL, STRUCT. FS 529 TO FS 569	124UT	ACCESS, FLOOR DRAIN MANIFOLD
124HT	FLOOR PANEL, STRUCT. FS 569 TO FS 609	124VT	ACCESS, FLOOR DRAIN MANIFOLD
124HT-1	ACCESS, HEAT EXCHANGER THERMAL SWITCH	124WT	FLOOR PANEL, STRUCT. FS 529 TO FS 540
124JT	FLOOR PANEL, STRUCT. FS 569 TO FS 609	124XT	ACCESS, CARGO DOOR MECHANISM
124KT	FLOOR PANEL, STRUCT. FS 609 TO FS 649	124YT	ACCESS, CARGO DOOR MECHANISM
124LT	ACCESS, FWD OUTFLOW VALVE	124ZT	ACCESS, CARGO DOOR MECHANISM
124MT	FLOOR PANEL, STRUCT. FS 609 TO FS 649		

M1-9500-06-182

INTERIOR PANELS, ZONE 124, FORWARD CARGO COMPARTMENT FLOOR

FIGURE 63

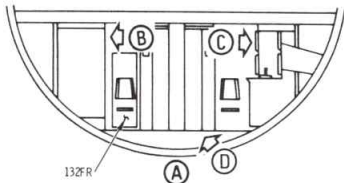


PANEL IDENTIFICATION NUMBER	DESCRIPTION/USE	PANEL IDENTIFICATION NUMBER	DESCRIPTION/USE
125AL	ACCESS, FLIGHT CONTROL CABLE FAIRLEADS	125HL	ACCESS, FLIGHT CONTROL CABLES AND TURNBUCKLES
125AT	CEILING PANEL, STRUCT. FS 449 TO FS 489	125HR	ACCESS, FLIGHT CONTROL CABLES AND TURNBUCKLES
125BL	ACCESS, FLIGHT CONTROL CABLE FAIRLEADS	125HT	CEILING PANEL, STRUCT. FS 649 TO FS 689
125BR	ACCESS, FLIGHT CONTROL CABLE FAIRLEADS	125JL	ACCESS, POWER BRAKE CONTROL CABLES AND FAIRLEADS
125BT	CEILING PANEL STRUCT. FS 489 TO FS 529	125JR	ACCESS, POWER BRAKE CONTROL CABLES AND FAIRLEADS
125CR	ACCESS, FLIGHT CONTROL CABLES AND FAIRLEADS	125JT	CEILING PANEL, STRUCT. FS 689 TO FS 703
125CT	CEILING PANEL STRUCT. FS 529 TO FS 569	125KR	ACCESS, FLIGHT CONTROL CABLES AND TURNBUCKLES
125DL	ACCESS, FLIGHT CONTROL CABLES AND TURNBUCKLES	125LL	ACCESS, FLIGHT CONTROL CABLES AND FAIRLEADS
125DR	ACCESS, FLIGHT CONTROL CABLES AND TURNBUCKLES	125LR	ACCESS, FLIGHT CONTROL CABLES AND FAIRLEADS
125DT	CEILING PANEL, STRUCT. FS 529 TO FS 569	125ML	ACCESS, POWER BRAKE CONTROL CABLES AND FAIRLEADS
125EL	ACCESS, FLIGHT CONTROL CABLE FAIRLEADS AND TURNBUCKLES	125MR	ACCESS, POWER BRAKE CONTROL CABLES AND FAIRLEADS
125ER	ACCESS, FLIGHT CONTROL CABLE FAIRLEADS	125NL	ACCESS, PITCH CABLE BREAK DETECTOR
125ET	CEILING PANEL, STRUCT. FS 569 TO FS 609	125NR	ACCESS, PITCH CABLE BREAK DETECTOR
125FL	ACCESS, POWER BRAKE CONTROL CABLES	125PL	ACCESS, SPEED BRAKE QUADRANT
125FR	ACCESS, POWER BRAKE CONTROL CABLES AND FAIRLEADS		
125FT	CEILING PANEL, STRUCT. FS 609 TO FS 649		
125GR	ACCESS, FLIGHT CONTROL CABLES AND TURNBUCKLES		
125GT	CEILING PANEL, STRUCT. FS 609 TO FS 649		

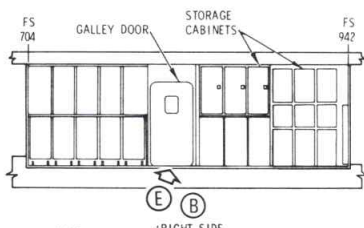
M1-9502-06-175

INTERIOR PANELS, ZONE 125, FORWARD CARGO COMPARTMENT CEILING

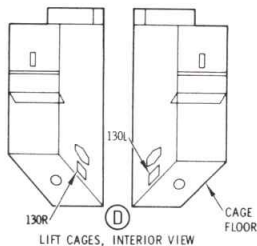
FIGURE 64



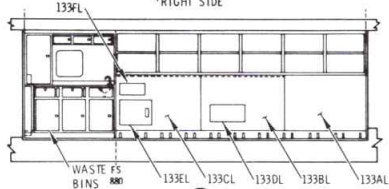
GALLEY VIEW LOOKING AFT



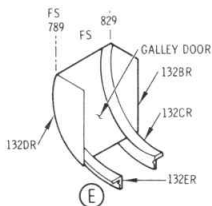
RIGHT SIDE



LIFT CAGES, INTERIOR VIEW



LEFT SIDE

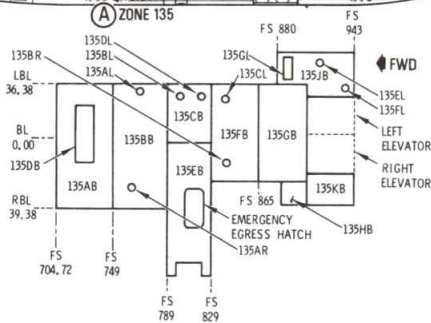
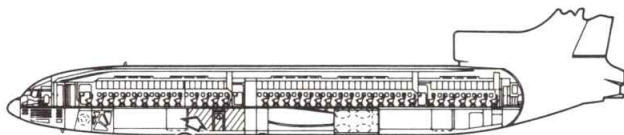


PANEL IDENTIFICATION NUMBER	DESCRIPTION / USE	PANEL IDENTIFICATION NUMBER	DESCRIPTION / USE
130R	ACCESS, GALLEY LIFT CHAIN	133AL	ACCESS, POTABLE WATER TANK
130L	ACCESS, GALLEY LIFT CHAIN	133BL	ACCESS, POTABLE WATER TANK
132BR	ACCESS, AFT SIDE OF COLD STORAGE UNIT	133CL	ACCESS, POTABLE WATER TANK
132CR	ACCESS, GALLEY DOOR LINKAGE	133DL	ACCESS, DUCT FIRE EXTINGUISHER
132DR	ACCESS, AFT SIDE OF CABINETS	133EL	ACCESS, WATER SHUTOFF VALVES
132ER	ACCESS, GALLEY DOOR LINKAGE	133FL	ACCESS, DUCT FIRE EXTINGUISHER
132FR	ACCESS, GALLEY TO MID-ELECT.SVC CENTER		

M1-0103-06-054

INTERIOR PANELS, ZONES 132-133, GALLEY

FIGURE 65



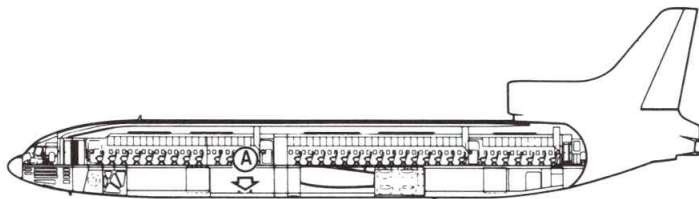
(A)
GALLEY CEILING PANELS
(VIEW LOOKING UP)

PANEL IDENTIFICATION NUMBER	DESCRIPTION / USE
135AB	CEILING PANEL, STRUCTURE, FS 704 TO FS 749
135AL	ACCESS, FLIGHT CONTROL CABLES AND FAIRLEADS
135AR	ACCESS, FLIGHT CONTROL CABLES AND FAIRLEADS
135BB	CEILING PANEL, STRUCTURE, FS 749 TO FS 789
135BL	ACCESS, FLIGHT CONTROL CABLES AND FAIRLEADS
135BR	ACCESS, FLIGHT CONTROL CABLES AND FAIRLEADS
135CB	CEILING PANEL, STRUCTURE, FS 789 TO FS 829
135CL	ACCESS, FLIGHT CONTROL CABLES AND FAIRLEADS
135DB	ACCESS, GYRO
135DL	ACCESS, FLIGHT CONTROL CABLES AND FAIRLEADS
135EB	CEILING PANEL, STRUCTURE, FS 789 TO FS 829
135EL	ACCESS, FLIGHT CONTROL CABLES AND FAIRLEADS
135FB	CEILING PANEL, STRUCTURE, FS 829 TO FS 865
135FL	ACCESS, SPEED-BRAKE INPUT CABLES
135GB	CEILING PANEL, STRUCTURE, FS 865 TO FS 901
135GL	ACCESS, SMOKE DETECTOR
135HB	CEILING PANEL, STRUCTURE, FS 880 TO FS 901
135JB	CEILING PANEL, STRUCTURE, FS 885 TO FS 943
135KB	CEILING PANEL, STRUCTURE, FS 901 TO FS 943

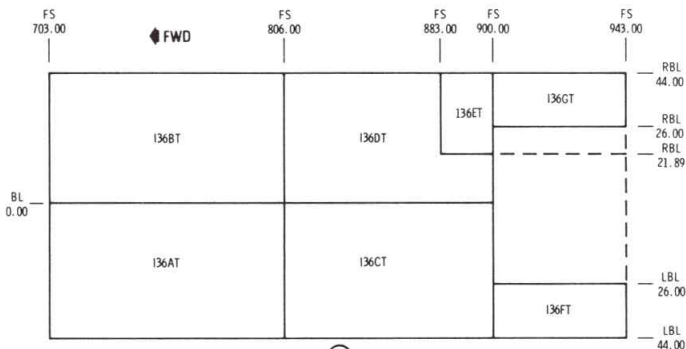
HA 0417
M1-0103-06-055

INTERIOR PANELS, ZONE 135, GALLEY CEILING

FIGURE 66



ZONE 136



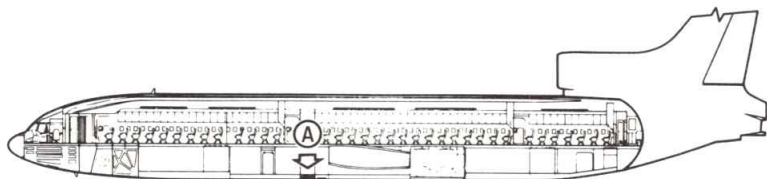
(A)
GALLEY FLOOR PANELS
VIEW LOOKING DOWN

PANEL IDENTIFICATION NUMBER	DESCRIPTION/USE
136AT	FLOOR PANEL STRUCT, FS 703 TO FS 806
136BT	FLOOR PANEL STRUCT, FS 703 TO FS 806
136CT	FLOOR PANEL STRUCT, FS 806 TO FS 900
136DT	FLOOR PANEL STRUCT, FS 806 TO FS 900
136ET	ACCESS, POTABLE WATER TANK FILLER
136FT	FLOOR PANEL STRUCT, FS 900 TO FS 943
136GT	FLOOR PANEL STRUCT, FS 900 TO FS 943

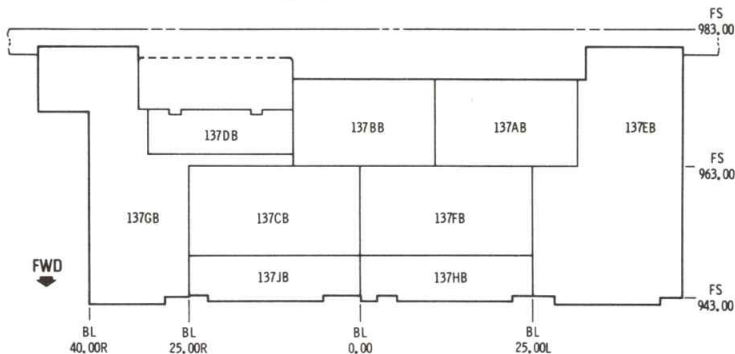
HH 7948
M1-0102-06-056

INTERIOR PANELS, ZONE 136, GALLEY FLOOR

FIGURE 67



ZONE 137



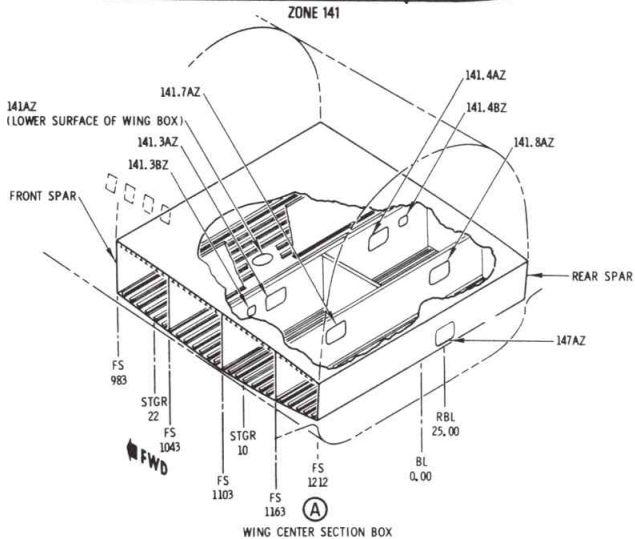
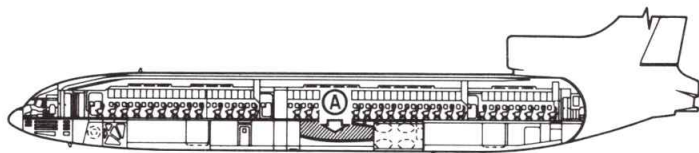
(A)

MID ELECTRICAL SERVICE CENTER FLOOR PANELS
VIEW LOOKING DOWN
(ROTATED 90°)

PANEL IDENTIFICATION NUMBER	DESCRIPTION / USE
137AB	ACCESS, ECS FLOW CONTROL VALVE, PACK NO. 1
137BB	ACCESS, ECS FLOW CONTROL VALVE, PACK NO. 2
137CB	ACCESS, ECS FLOW CONTROL VALVE, PACK NO. 3
137DB	ACCESS, AREA UNDER BATTERY
137EB	ACCESS, STRUCT. FS 943 TO FS 983
137FB	ACCESS, ECS DUCTS & STRUCTURE
137GB	ACCESS, STRUCT. FS 943 TO FS 983
137HB	FLOOR PANEL, ECS DUCTING & STRUCTURE
137JB	FLOOR PANEL, ECS DUCTING & STRUCTURE

INTERIOR PANELS, ZONE 137, MID ELECTRICAL SERVICE CENTER FLOOR

FIGURE 68



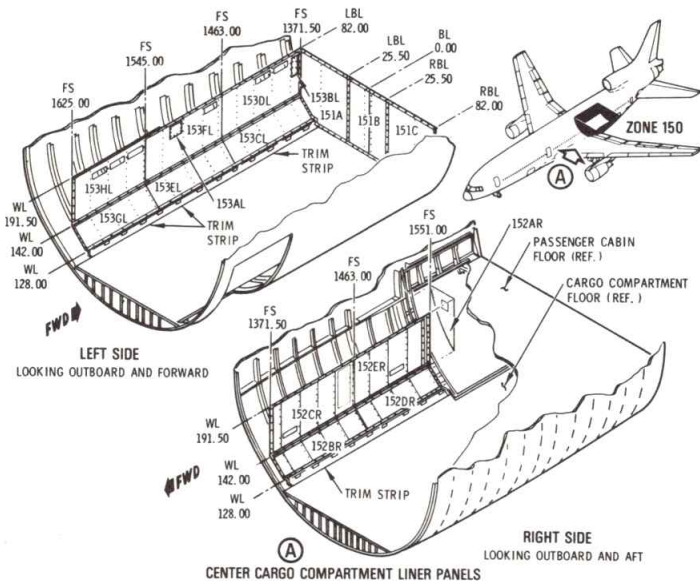
WING CENTER SECTION BOX

PANEL IDENTIFICATION NUMBER	DESCRIPTION/USE
141AZ	ACCESS, WING CENTER SECTION BOX THROUGH KEELSON
141.3AZ	ACCESS, TANK 1A THROUGH FORWARD BULKHEAD
141.3BZ	ACCESS, TANK 1A FUEL LEVEL CONTROL SWITCH
141.4AZ	ACCESS, TANK 3A THROUGH FORWARD BULKHEAD
141.4BZ	ACCESS, TANK 3A FUEL LEVEL CONTROL SWITCH
141.7AZ	ACCESS, TANK 1A THROUGH AFT BULKHEAD
141.8AZ	ACCESS, TANK 3A THROUGH AFT BULKHEAD
147AZ	ACCESS, WING CENTER SECTION BOX FROM HYDRAULIC SERVICE CENTER

M1-25000-06-183

INTERIOR PANELS, ZONE 141, WING CENTER SECTION BOX

FIGURE 69

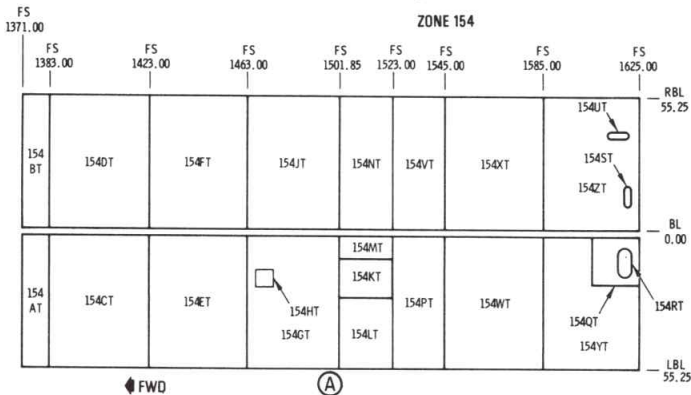
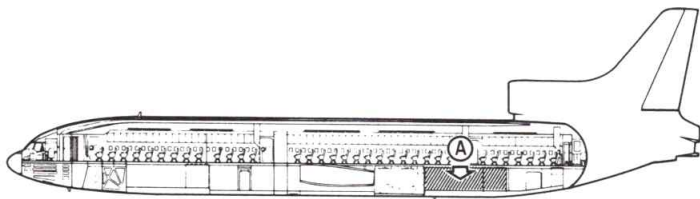


PANEL IDENTIFICATION NUMBER	DESCRIPTION / USE
151A	FWD BULKHEAD, CENTER CARGO COMPT
151B	FWD BULKHEAD, CENTER CARGO COMPT
151C	FWD BULKHEAD, CENTER CARGO COMPT
152AR	ACCESS, CARGO LOADER CONTROLS
152BR	SLOPING SIDEWALL, STRUCT. FS 1371 TO FS 1463
152CR	VERTICAL SIDEWALL, STRUCT. FS 1371 TO FS 1463
152DR	SLOPING SIDEWALL, STRUCT. FS 1463 TO FS 1551
152ER	VERTICAL SIDEWALL, STRUCT. FS 1463 TO FS 1551
153AL	ACCESS, ECS DUCT CONNECTOR
153BL	ACCESS, DUCTING AND HYDRAULIC LINES
153CL	SLOPING SIDEWALL, STRUCT. FS 1371 TO FS 1463
153DL	VERTICAL SIDEWALL, STRUCT. FS 1371 TO FS 1463
153EL	SLOPING SIDEWALL, STRUCT. FS 1463 TO FS 1545
153FL	VERTICAL SIDEWALL, STRUCT. FS 1463 TO FS 1545
153GL	SLOPING SIDEWALL, STRUCT. FS 1545 TO FS 1625
153HL	VERTICAL SIDEWALL, STRUCT. FS 1545 TO FS 1625

HH 7815
M1-0102-06-061

INTERIOR PANELS, ZONE 150, CENTER CARGO COMPARTMENT

FIGURE 70



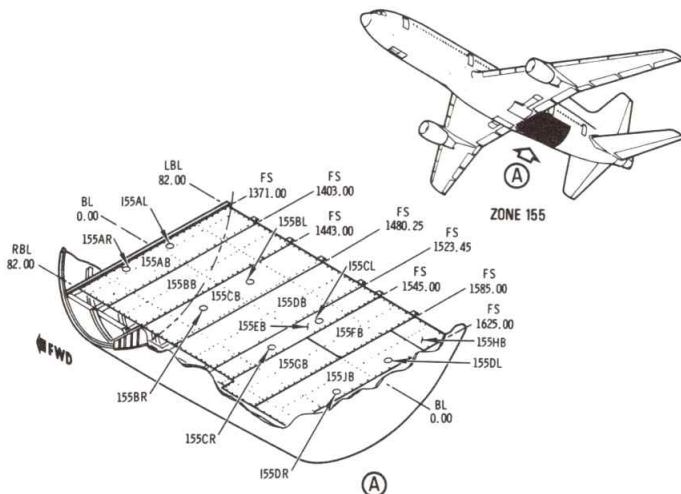
CENTER CARGO COMPARTMENT FLOOR PANELS
(VIEW LOOKING OUTBD)

PANEL IDENTIFICATION NUMBER	DESCRIPTION / USE	PANEL IDENTIFICATION NUMBER	DESCRIPTION / USE
154AT	FLOOR PANEL, STRUCT. FS 1371 TO FS 1383.	154NT	FLOOR PANEL, STRUCT. FS 1501 TO FS 1523
154BT	FLOOR PANEL, STRUCT. FS 1371 TO FS 1383	154PT	FLOOR PANEL, STRUCT. FS 1523 TO FS 1545
154CT	FLOOR PANEL, STRUCT. FS 1383 TO FS 1423	154QT	ACCESS, FLOOR DRAIN
154DT	FLOOR PANEL, STRUCT. FS 1383 TO FS 1423	154RT	ACCESS, SUMP DRAIN TANK VALVE
154ET	FLOOR PANEL, STRUCT. FS 1423 TO FS 1463	154ST	ACCESS, FLOOR DRAIN
154FT	FLOOR PANEL, STRUCT. FS 1423 TO FS 1463	154T	ACCESS, FLOOR DRAIN
154GT	FLOOR PANEL, STRUCT. FS 1463 TO FS 1501	154VT	FLOOR PANEL, STRUCT. FS 1523 TO FS 1545
154HT	ACCESS, DUCT FAN	154WT	FLOOR PANEL, STRUCT. FS 1545 TO FS 1585
154JT	FLOOR PANEL, STRUCT. FS 1463 TO FS 1501	154XT	FLOOR PANEL, STRUCT. FS 1545 TO FS 1585
154KT	ACCESS, AFT OUTFLOW VALVE	154YT	FLOOR PANEL, STRUCT. FS 1585 TO FS 1625
154LT	FLOOR PANEL, STRUCT. FS 1501 TO FS 1523	154ZT	FLOOR PANEL, STRUCT. FS 1585 TO FS 1625
154MT	FLOOR PANEL, STRUCT. FS 1501 TO FS 1523		

HH 7729 MI-0102-06-062

INTERIOR PANELS, ZONE 154 CENTER CARGO COMPARTMENT FLOOR

FIGURE 71



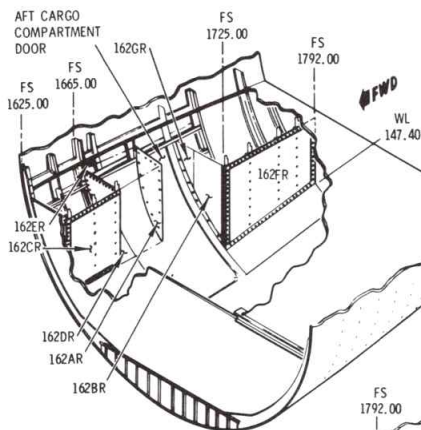
①
 CENTER CARGO COMPARTMENT CEILING PANELS
 (VIEW LOOKING UP)

PANEL IDENTIFICATION NUMBER	DESCRIPTION / USE
155AB	CEILING PANEL, STRUCT. FS 1371 TO FS 1403
155AL	ACCESS, FLIGHT CONTROL CABLES & FAIRLEADS
155AR	ACCESS, FLIGHT CONTROL CABLES & FAIRLEADS
155BB	CEILING PANEL, STRUCT. FS 1403 TO FS 1443
155BL	ACCESS, FLIGHT CONTROL CABLES & FAIRLEADS
155BR	ACCESS, FLIGHT CONTROL CABLES & FAIRLEADS
155CB	CEILING PANEL, STRUCT. FS 1443 TO FS 1480
155CL	ACCESS, FLIGHT CONTROL CABLES & FAIRLEADS
155CR	ACCESS, FLIGHT CONTROL CABLES & FAIRLEADS
155DB	CEILING PANEL, STRUCT. FS 1480 TO FS 1523
155DL	ACCESS, FLIGHT CONTROL CABLES & FAIRLEADS
155DR	ACCESS, FLIGHT CONTROL CABLES & FAIRLEADS
155EB	CEILING PANEL, STRUCT. FS 1523 TO FS 1545
155FB	CEILING PANEL, STRUCT. FS 1545 TO FS 1585
155GB	CEILING PANEL, STRUCT. FS 1545 TO FS 1585
155HB	CEILING PANEL, STRUCT. FS 1585 TO FS 1625
155JB	CEILING PANEL, STRUCT. FS 1585 TO FS 1625

HH 7731
 M1-0102-06-063

INTERIOR PANELS, ZONE 155, CENTER CARGO COMPARTMENT CEILING

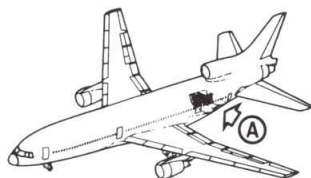
FIGURE 72



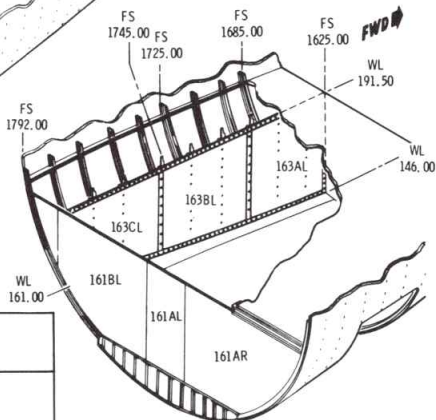
RIGHT SIDE
LOOKING OUTBOARD AND AFT

(A)
AFT CARGO COMPARTMENT PANELS

PANEL IDENTIFICATION NUMBER	DESCRIPTION / USE
161AL	ACCESS, AFT WASTE SYSTEM
161AR	ACCESS, AFT WASTE SYSTEM
161BL	ACCESS, AFT WASTE SYSTEM
162AR	ACCESS, RIGHT SIDE COMPARTMENT
162BR	ACCESS, AFT ELECTRONIC EQUIPMENT AREA
162CR	VERTICAL SIDEWALL, STRUCT. FS1625 TO 1665
162DR	SLOPING SIDEWALL, STRUCT. FS1665 TO FS1677
162ER	VERTICAL SIDEWALL, STRUCT. FS1665 TO FS1685
162FR	VERTICAL SIDEWALL, STRUCT. FS1725 TO FS1792
162GR	VERTICAL PANEL, STRUCT. FS1725
163CL	VERTICAL PANEL, STRUCT. FS1625 TO FS1685
163BL	VERTICAL PANEL, STRUCT. FS1685 TO FS1745
163AL	VERTICAL PANEL, STRUCT. FS1745 TO FS1792



ZONE 160

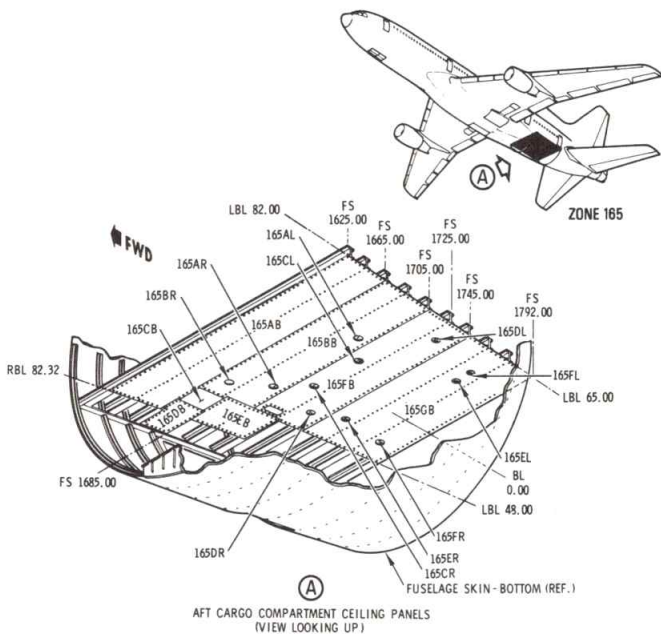


LEFT SIDE
LOOKING OUTBOARD AND FWD

HH 7816
M1-0103-06-064

INTERIOR PANELS, ZONES 162-164, AFT CARGO COMPARTMENT PANELS

FIGURE 73

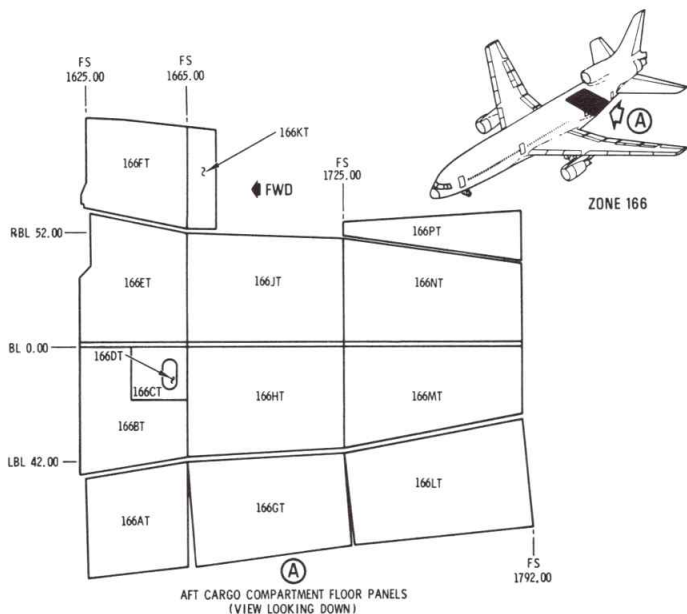


PANEL IDENTIFICATION NUMBER	DESCRIPTION / USE	PANEL IDENTIFICATION NUMBER	DESCRIPTION / USE
165AB	CEILING PANEL, STRUCT., FS 1625 TO FS 1665	165DL	ACCESS, CONTROL CABLES AND FAIRLEADS
165AL	ACCESS, CONTROL CABLES AND FAIRLEADS	165DR	ACCESS, CONTROL CABLES AND FAIRLEADS
165AR	ACCESS, CONTROL CABLES AND FAIRLEADS	165EB	CEILING PANEL, STRUCT., FS 1685 TO FS 1725
165BB	CEILING PANEL, STRUCT., FS 1665 TO FS 1705	165EL	ACCESS, CONTROL CABLES AND FAIRLEADS
165BR	ACCESS, CONTROL CABLES AND FAIRLEADS	165ER	ACCESS, CONTROL CABLES AND FAIRLEADS
165CB	ACCESS, PASSENGER CABIN	165FB	CEILING PANEL, STRUCT., FS 1705 TO FS 1745
165CL	ACCESS, CONTROL CABLES AND FAIRLEADS	165FL	ACCESS, CONTROL CABLES AND FAIRLEADS
165CR	ACCESS, CONTROL CABLES AND FAIRLEADS	165FR	ACCESS, CONTROL CABLES AND FAIRLEADS
165DB	CEILING PANEL, STRUCT., FS 1665 TO FS 1685	165GB	CEILING PANEL, STRUCT., FS 1745 TO FS 1792

HH 7730 M1-0102-06-065

INTERIOR PANELS, ZONE 165, AFT CARGO COMPARTMENT CEILING

FIGURE 74

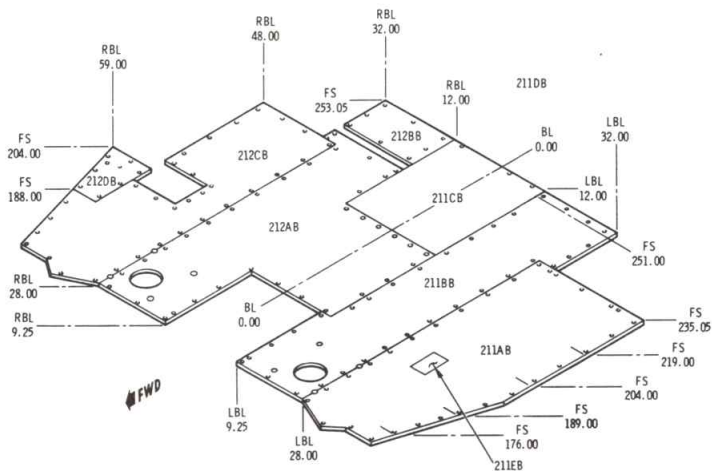
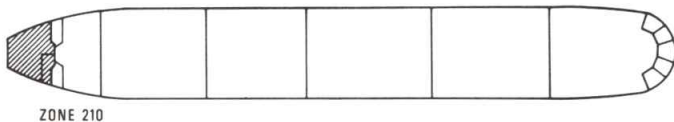


PANEL IDENTIFICATION NUMBER	DESCRIPTION/USE
166AT	FLOOR PANEL, STRUCT. FS 1625 TO FS 1665
166BT	FLOOR PANEL, STRUCT. FS 1625 TO FS 1665
166CT	ACCESS, FLOOR DRAIN
166DT	ACCESS, SUMP DRAIN TANK VALVE
166ET	FLOOR PANEL, STRUCT. FS 1625 TO FS 1665
166FT	FLOOR PANEL, STRUCT. FS 1625 TO FS 1665
166GT	FLOOR PANEL, STRUCT. FS 1665 TO FS 1725
166HT	FLOOR PANEL, STRUCT. FS 1665 TO FS 1725
166JT	FLOOR PANEL, STRUCT. FS 1665 TO FS 1725
166KT	FLOOR PANEL, STRUCT. FS 1665 TO FS 1677
166LT	FLOOR PANEL, STRUCT. FS 1725 TO FS 1792
166MT	FLOOR PANEL, STRUCT. FS 1725 TO FS 1792
166NT	FLOOR PANEL, STRUCT. FS 1725 TO FS 1792
166PT	FLOOR PANEL, STRUCT. FS 1725 TO FS 1792

HH 7275
M1-0102-06-066

INTERIOR PANELS, ZONE 166, AFT CARGO COMPARTMENT FLOOR

FIGURE 75

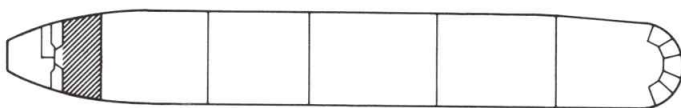


PANEL IDENTIFICATION NUMBER	DESCRIPTION / USE
211AB	FLOOR PANEL, STRUCTURE, FS 164 TO FS 235
211BB	FLOOR PANEL, STRUCTURE, FS 172 TO FS 253
211CB	ACCESS, FORWARD ELECTRONIC SERVICE CENTER
211EB	ACCESS, TENSION REGULATOR
212AB	FLOOR PANEL, STRUCTURE, FS 172 TO FS 237
212BB	FLOOR PANEL, STRUCTURE, FS 242 TO FS 253
212CB	FLOOR PANEL, STRUCTURE, FS 164 TO FS 235
212DB	FLOOR PANEL, STRUCTURE, FS 189 TO FS 204

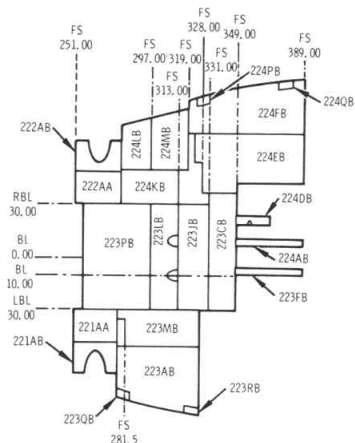
MI-2004-06-106

INTERIOR PANELS, ZONE 210, FLIGHT COMPARTMENT FLOOR

FIGURE 76



ZONE 220



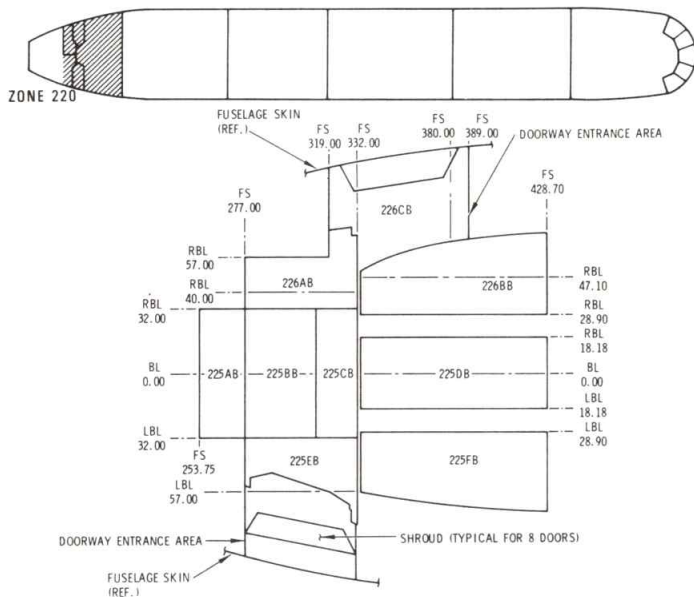
FORWARD PASSENGER COMPARTMENT FLOOR PANELS

ACCESS IDENTIFICATION NUMBER	ACCESS TO
221AA	FLOOR PANEL, FWD L/H LAV FS 251 TO FS 273
221AB	FLOOR PANEL, FWD L/H LAV FS 251 TO FS 273
222AA	FLOOR PANEL, FWD R/H LAV FS 251 TO FS 273
222AB	FLOOR PANEL, FWD R/H LAV FS 251 TO FS 273
223AB	ACCESS, CABLES, DUCTING, GIRT BAR
223CB	ACCESS, STRUCTURE, DUCTING
223FB	ACCESS, STRUCTURE, FS 349 TO FS 389
223JB	FLOOR PANEL, FS 313 TO FS 331
223LB	FLOOR PANEL, FS 297 TO FS 313
223MB	FLOOR PANEL, FS 278 TO FS 328

ACCESS IDENTIFICATION NUMBER	ACCESS TO
223PB	FLOOR PANEL, FS 252 TO FS 297
223QB	PANEL PLUG ASSY
223RB	PANEL PLUG ASSY
224AB	ACCESS, STRUCTURE, FS 349 TO FS 389
224DB	ACCESS, MULTIPLEX
224EB	ACCESS, STRUCTURE, FS 319 TO FS 389 CABLES AND DUCTING
224FB	ACCESS, STRUCTURE, FS 319 TO FS 389 DUCTING AND GIRT BAR
224KB	FLOOR PANEL, FS 278 TO FS 331
224LB	FLOOR PANEL, FS 280 TO FS 297
224MB	FLOOR PANEL, FS 297 TO FS 314
224PB	PANEL PLUG ASSY
224QB	PANEL PLUG ASSY

INTERIOR ACCESS DOORS & PANELS, ZONE 220, FORWARD PASSENGER COMPARTMENT FLOOR

FIGURE 77



FORWARD PASSENGER COMPARTMENT CEILING PANELS

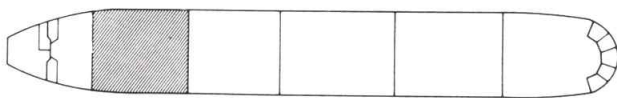
PANEL IDENTIFICATION NUMBER	DESCRIPTION / USE
225AB	CEILING PANEL, FLIGHT DATA STOWAGE COMPONENTS, ELECTRICAL COMPONENTS, WATER DRAIN, DUCT
225BB	CEILING PANEL, ELECTRICAL WIRING, MODULES, DUCT
225CB	CEILING PANEL, ELECTRICAL EQUIPMENT PANEL, WIRING
225DB	CEILING PANEL, AIR CONDITIONING DUCT, DOOR TRACKS
225EB	CEILING PANEL, WIRING, STRUCTURE, DOOR MECHANISM

PANEL IDENTIFICATION NUMBER	DESCRIPTION / USE
225FB	CEILING PANEL, WIRING, STRUCTURE, MODULES
226AB	CEILING PANEL, DUCTS, DOOR MECHANISM, WIRING
226BB	CEILING PANEL, DUCTS, DOOR TRACKS, WIRING, WATER DRAINS
226CB	CEILING PANEL, DOOR TRACKS & MECHANISM, STRUCTURE

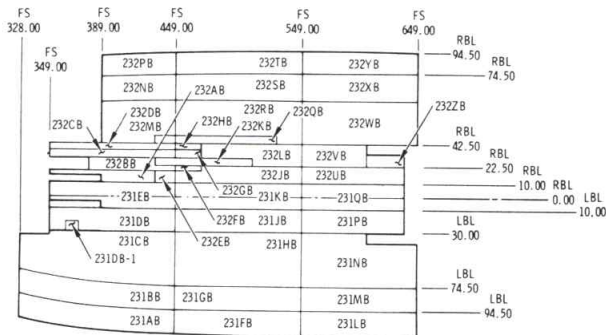
HH 7732
M1-5502-06-069

FORWARD PASSENGER COMPARTMENT CEILING INTERIOR PANELS, ZONE 220,

FIGURE 78



ZONE 230



FORWARD PASSENGER COMPARTMENT FLOOR PANELS

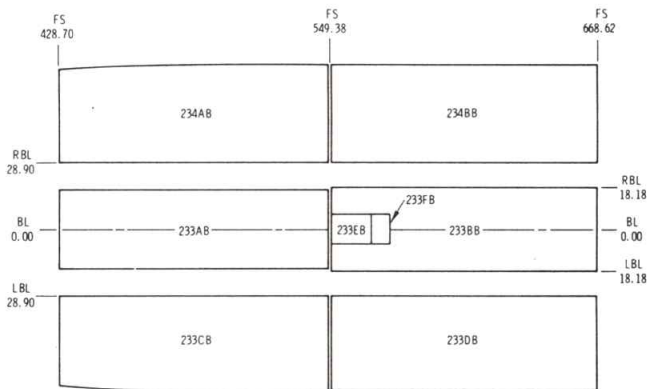
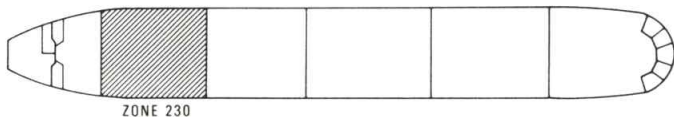
PANEL IDENTIFICATION NUMBER	DESCRIPTION/USE
231AB	FLOOR PANEL, FS328 TO FS449
231BB	FLOOR PANEL, FS328 TO FS449
231CB	FLOOR PANEL, FS328 TO FS449
231DB	ACCESS, CONTROL CABLES
231DB-1	ACCESS, MULTIPLEX
231EB	ACCESS, STRUCTURE FS349 TO FS449
231FB	FLOOR PANEL, FS449 TO FS549
231GB	FLOOR PANEL, FS449 TO FS549
231HB	FLOOR PANEL, FS449 TO FS549
231JB	FLOOR PANEL, FS449 TO FS549
231KB	FLOOR PANEL, FS449 TO FS549
231LB	FLOOR PANEL, FS449 TO FS649
231MB	FLOOR PANEL, FS549 TO FS649
231NB	FLOOR PANEL, FS549 TO FS649
231PB	FLOOR PANEL, FS549 TO STAIRWELL
231QB	FLOOR PANEL, FS549 TO STAIRWELL
232AB	ACCESS, STRUCTURE FS349 TO FS413
232BB	ACCESS, STRUCTURE FS369 TO FS449
232CB	ACCESS, DUCTING, CONTROL CABLES
232DB	ACCESS, DUCTING, CONTROL CABLES, PULLEYS

PANEL IDENTIFICATION NUMBER	DESCRIPTION/USE
232EB	ACCESS, MULTIPLEX
232FB	FLOOR PANEL, FS449 TO FS469
232GB	FLOOR PANEL, FS449 TO FS469
232HB	FLOOR PANEL, FS449 TO FS469
232JB	FLOOR PANEL, FS449 TO FS469
232KB	FLOOR PANEL, FS449 TO FS509
232LB	FLOOR PANEL, FS469 TO FS549
232MB	FLOOR PANEL, FS389 TO FS449
232NB	FLOOR PANEL, FS389 TO FS449
232PB	FLOOR PANEL, FS449 TO FS509
232QB	FLOOR PANEL, FS449 TO FS549
232RB	FLOOR PANEL, FS449 TO FS549
232SB	FLOOR PANEL, FS449 TO FS549
232TB	FLOOR PANEL, FS449 TO FS549
232UB	FLOOR PANEL, FS549 TO FS649
232VB	FLOOR PANEL, FS549 TO FS649
232WB	FLOOR PANEL, FS549 TO FS649
232XB	FLOOR PANEL, FS549 TO FS649
232YB	FLOOR PANEL, FS549 TO FS649
232ZB	FLOOR PANEL, FS609 TO FS649

M1-6501-06-107

INTERIOR PANELS, ZONE 230, FORWARD PASSENGER COMPARTMENT FLOOR

FIGURE 79



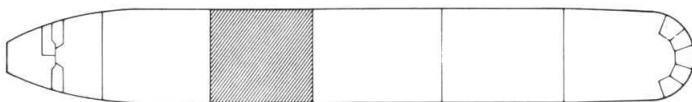
FORWARD PASSENGER COMPARTMENT CEILING PANELS

PANEL IDENTIFICATION NUMBER	DESCRIPTION / USE
233AB	CEILING PANEL, AIR CONDITIONING DUCTS, WATER DRAINS
233BB	CEILING PANEL, AIR CONDITIONING DUCTS
233CB	CEILING PANEL, ELECTRICAL DISCONNECT PANEL, MODULES, WATER DRAINS
233DB	CEILING PANEL, RECTIFIER, STRUCTURE, WIRING, MODULES
233EB	CEILING PANEL, MOTION PICTURE PROJECTOR
233FB	CEILING PANEL, MOTION PICTURE PROJECTOR
234AB	CEILING PANEL, ELECTRICAL DISCONNECT PANEL, WATER DRAINS
234BB	CEILING PANEL, WIRING, MODULES, STRUCTURE

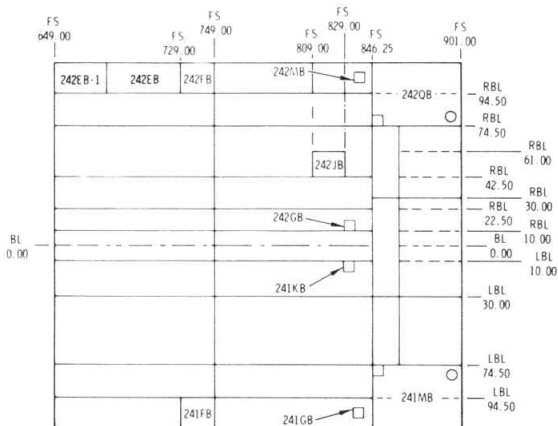
HH7686
MI-0102-06-071

INTERIOR PANELS, ZONE 230, FORWARD PASSENGER COMPARTMENT CEILING

FIGURE 80



ZONE 240



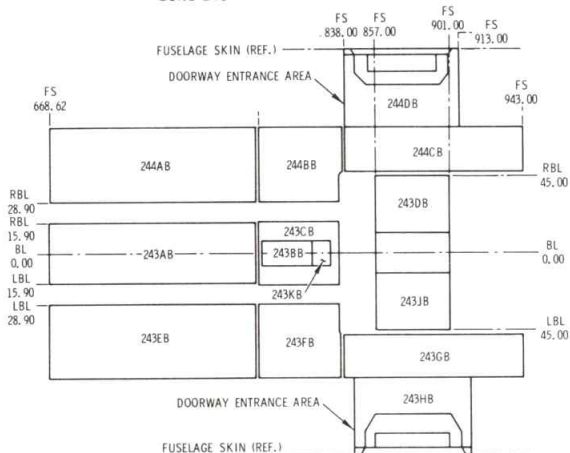
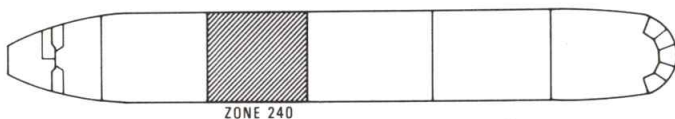
FORWARD PASSENGER COMPARTMENT FLOOR PANELS

ACCESS IDENTIFICATION NUMBER	ACCESS TO
241FB	LAMP ASSEMBLY TRANSFORMER
241GB	MULTIPLY
241KB	MULTIPLY
241MB	STRUCTURE, FS 846 TO FS 901, GIRT BAR
242EB	CARGO DOOR ROTARY ACTUATOR
242E-B-1	CARGO DOOR GEAR BOX
242FB	LAMP ASSEMBLY TRANSFORMER, DOOR GEAR BOX
242GB	MULTIPLY
242JB	GALLEY EMERGENCY EXIT
242MB	MULTIPLY
242OB	STRUCTURE, FS 846 TO FS 901, GIRT BAR

HA 2992
MI-6001-06-118

INTERIOR PANELS, ZONE 240, FORWARD PASSENGER COMPARTMENT FLOOR

FIGURE 81



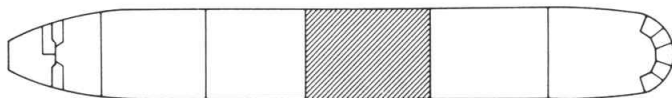
FORWARD PASSENGER COMPARTMENT CEILING PANELS

PANEL IDENTIFICATION NUMBER	DESCRIPTION/ USE	PANEL IDENTIFICATION NUMBER	DESCRIPTION/ USE
243AB	CEILING PANEL, AIR CONDITIONING DUCTS, STRUCTURE	243JB	CEILING PANEL, ELECTRICAL EQUIPMENT PANELS, DUCTS
243BB	CEILING PANEL, MOTION PICTURE PROJECTOR	243KB	CEILING PANEL, MOTION PICTURE PROJECTOR
243CB	CEILING PANEL, AIR CONDITIONING DUCTS, STRUCTURE	244AB	CEILING PANEL, WIRING, MODULES, WATER DRAINS, DUCTS
243DB	CEILING PANEL, ELECTRICAL EQUIPMENT PANELS, DUCTS	244BB	CEILING PANEL, WIRING, MODULES, WATER DRAINS, DUCTS
243EB	CEILING PANEL, WIRING, MODULES, WATER DRAINS	244CB	CEILING PANEL, DOOR TRACKS, WIRING, MODULES
243FB	CEILING PANEL, WIRING, MODULES, STRUCTURE	244DB	CEILING PANEL, DOOR TRACKS, DOOR MECHANISM
243GB	CEILING PANEL, DOOR TRACKS, WIRING, MODULE		
243HB	CEILING PANEL, DOOR TRACKS, DOOR MECHANISM		

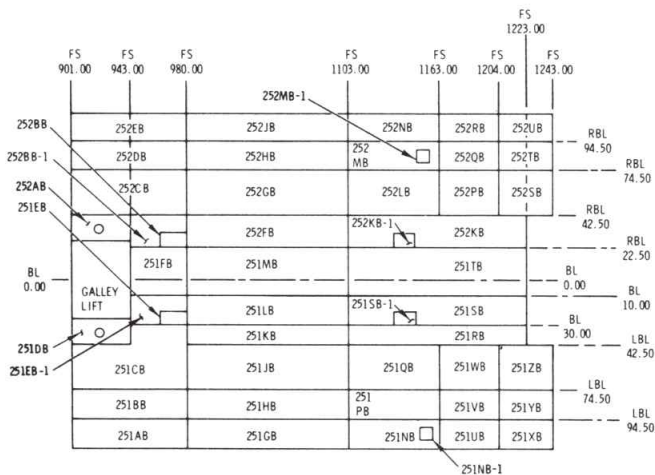
HH7726
M1-0102-06-073

INTERIOR PANELS, ZONE 240, FORWARD PASSENGER COMPARTMENT CEILING

FIGURE 82



ZONE 250



CENTER PASSENGER COMPARTMENT FLOOR PANELS

INTERIOR PANELS, ZONE 250, CENTER PASSENGER COMPARTMENT FLOOR

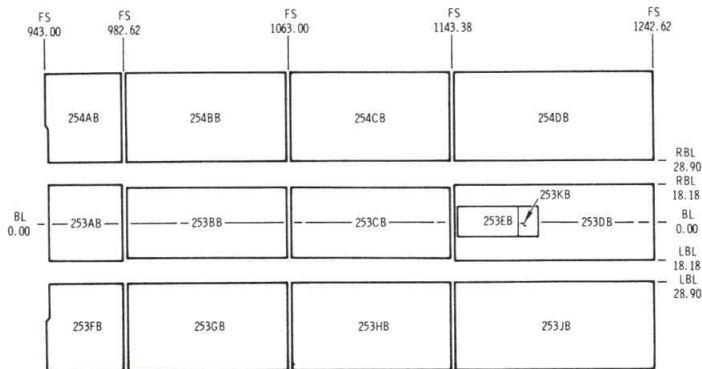
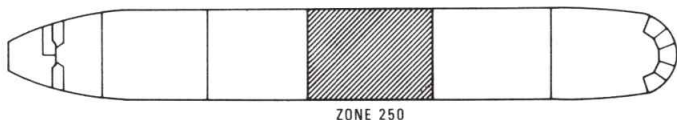
FIGURE 83

PANEL IDENTIFICATION NUMBER	DESCRIPTION / USE	PANEL IDENTIFICATION NUMBER	DESCRIPTION / USE
251AB	FLOOR PANEL FS 901 TO FS 980	251ZB	ACCESS, STRUCTURE, FS 1204 TO FS 1243, CONTROL CABLES, HEATED PANEL
251BB	FLOOR PANEL FS 901 TO FS 980	252AB	ACCESS, CONTROL CABLES
251CB	FLOOR PANEL FS 901 TO FS 980	252BB	ACCESS, MULTIPLEX
251DB	ACCESS, CONTROL CABLES	252BB-1	FLOOR PANEL FS 943 TO FS 980
251EB	ACCESS, MULTIPLEX	252CB	FLOOR PANEL FS 901 TO FS 980
251EB-1	FLOOR PANEL FS 943 TO FS 980	252DB	FLOOR PANEL FS 901 TO FS 980
251FB	FLOOR PANEL FS 943 TO FS 980	252EB	ACCESS, STRUCTURE, FS 980 TO FS 1103, CONTROL CABLES, HEATED PANEL
251GB	ACCESS, STRUCTURE FS 980 TO FS 1103, HEATED PANEL	252FB	ACCESS, STRUCTURE, FS 980 TO FS 1103, CONTROL CABLES, HEATED PANEL
251HB	ACCESS, STRUCTURE FS 980 TO FS 1103, CONDUIT, HEATED PANEL	252GB	ACCESS, STRUCTURE, FS 980 TO FS 1103, CONTROL CABLES, HEATED PANEL
251JB	ACCESS, STRUCTURE FS 980 TO FS 1103, CONTROL CABLES, HEATED PANEL	252HB	ACCESS, STRUCTURE, FS 980 TO FS 1103, HEATED PANEL
251KB	ACCESS, STRUCTURE FS 980 TO FS 1103, CONTROL CABLES, HEATED PANEL	252JB	ACCESS, STRUCTURE, FS 980 TO FS 1103, HEATED PANEL
251LB	ACCESS, STRUCTURE FS 980 TO FS 1103, HEATED PANEL	252KB	ACCESS, STRUCTURE, FS 1103 TO FS 1223, CONTROL CABLES, HEATED PANEL
251MB	ACCESS, STRUCTURE FS 980 TO FS 1103, HEATED PANEL	252KB-1	ACCESS, MULTIPLEX
251NB	ACCESS, STRUCTURE, FS 1103 TO FS 1163, HEATED PANEL	252LB	ACCESS, STRUCTURE FS 1103 TO FS 1163, CONTROL CABLES, HEATED PANEL
251NB-1	ACCESS, MULTIPLEX	252MB	ACCESS, STRUCTURE, FS 1103 TO FS 1163, HEATED PANEL
251PB	ACCESS, STRUCTURE, FS 1103 TO FS 1163, CONDUIT, HEATED PANEL	252MB-1	ACCESS, MULTIPLEX
251PB-1	ACCESS, MULTIPLEX	252NB	ACCESS, STRUCTURE, FS 1103 TO FS 1163, HEATED PANEL
251QB	ACCESS, STRUCTURE, FS 1103 TO FS 1163, CONTROL CABLES, HEATED PANEL	252PB	ACCESS, STRUCTURE, FS 1163 TO FS 1204, CONTROL CABLES, HEATED PANEL
251RB	ACCESS, STRUCTURE FS 1103 TO FS 1223, CONTROL CABLES, HEATED PANEL	252QB	ACCESS, STRUCTURE, FS 1163 TO FS 1204, HEATED PANEL
251SB	ACCESS, STRUCTURE, FS 1103 TO FS 1223, HEATED PANEL	252RB	ACCESS, STRUCTURE, FS 1163 TO FS 1204, HEATED PANEL
251SB-1	ACCESS, MULTIPLEX	252SB	ACCESS, STRUCTURE, FS 1204 TO FS 1243, CONTROL CABLES, HEATED PANEL
251TB	ACCESS, STRUCTURE, FS 1103 TO FS 1223, HEATED PANEL	252TB	ACCESS, STRUCTURE, FS 1204 TO FS 1243, HEATED PANEL
251UB	ACCESS, STRUCTURE, FS 1163 TO FS 1204, HEATED PANEL	252UB	ACCESS, STRUCTURE, FS 1204 TO FS 1243, HEATED PANEL
251VB	ACCESS, STRUCTURE, FS 1163 TO FS 1204, CONDUIT, HEATED PANEL		
251WB	ACCESS, STRUCTURE, FS 1163 TO FS 1204, CONTROL CABLES, HEATED PANEL		
251XB	ACCESS, STRUCTURE, FS 1204 TO FS 1243, HEATED PANEL		
251YB	ACCESS, STRUCTURE, FS 1204 TO FS 1243, CONDUIT, HEATED PANEL		

G 3215
M1-9000-06-113

INTERIOR PANELS, ZONE 250, CENTER PASSENGER COMPARTMENT FLOOR (CONT)

FIGURE 84



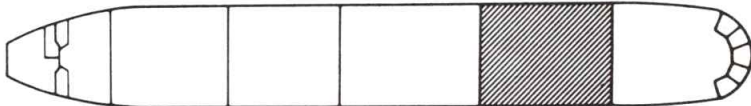
AFT PASSENGER COMPARTMENT CEILING PANELS

PANEL IDENTIFICATION NUMBER	DESCRIPTION/USE
253AB	CEILING PANEL, AIR CONDITIONING DUCTS, WIRING
253BB	CEILING PANEL, AIR CONDITIONING DUCTS, WIRING
253CB	CEILING PANEL, AIR CONDITIONING DUCTS, WIRING
253DB	CEILING PANEL, AIR CONDITIONING DUCTS, WIRING
253EB	CEILING PANEL, MOTION PICTURE PROJECTOR
253FB	CEILING PANEL, WIRING, MODULES, STRUCTURE
253GB	CEILING PANEL, WIRING, MODULES, STRUCTURE
253HB	CEILING PANEL, WIRING, MODULES, STRUCTURE
253JB	CEILING PANEL, WIRING, MODULES, STRUCTURE
253KB	CEILING PANEL, MOTION PICTURE PROJECTOR
254AB	CEILING PANEL, WIRING, MODULES, STRUCTURE
254BB	CEILING PANEL, WIRING, MODULES, STRUCTURE
254CB	CEILING PANEL, WIRING, MODULES, STRUCTURE
254DB	CEILING PANEL, WIRING, MODULES, STRUCTURE

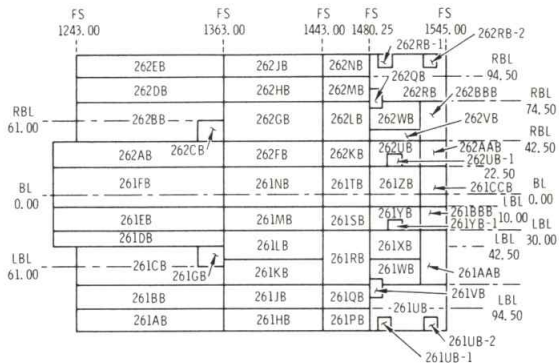
HH 7733
M1-0102-06-075

INTERIOR PANELS, ZONE 250, CENTER PASSENGER COMPARTMENT CEILING

FIGURE 85



ZONE 260



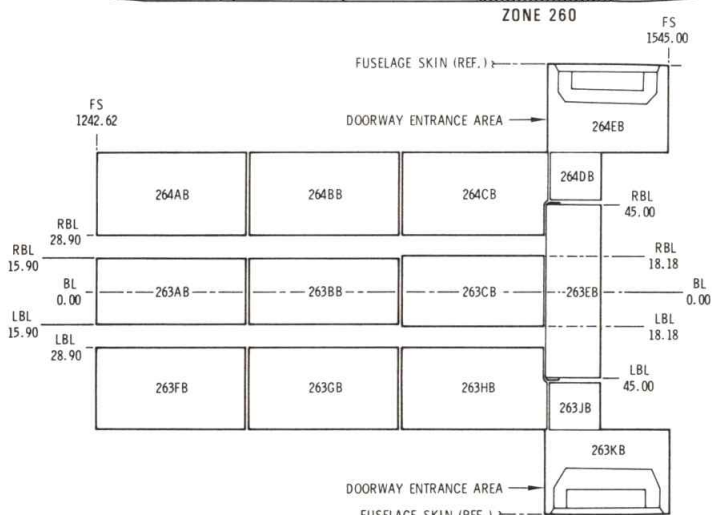
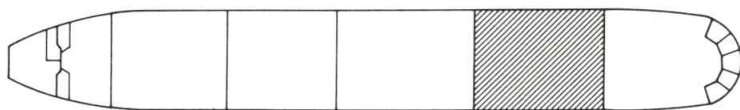
**INTERIOR PANELS, ZONE 260,
AFT PASSENGER COMPARTMENT FLOOR**

FIGURE 86

PANEL IDENTIFICATION NUMBER	DESCRIPTION/USE
261ZB	FLOOR PANEL, FS 1480.25 TO FS 1523
261AAB	FLOOR PANEL, FS 1523 TO FS 1545
261BBB	FLOOR PANEL, FS 1523 TO FS 1545
261CCB	FLOOR PANEL, FS 1523 TO FS 1545
262AB	ACCESS, STRUCTURE, FS 1223 TO FS 1363
262BB	ACCESS, STRUCTURE, FS 1243 TO FS 1363 CONTROL CABLES
262CB	ACCESS, AILERON TENSION REGULATOR
262DB	ACCESS, STRUCTURE, FS 1243 TO FS 1363
262EB	ACCESS, STRUCTURE, FS 1243 TO FS 1363
262FB	FLOOR PANEL, FS 1363 TO FS 1443
262GB	FLOOR PANEL, FS 1363 TO FS 1443
262HB	FLOOR PANEL, FS 1363 TO FS 1443
262JB	FLOOR PANEL, FS 1363 TO FS 1443
262KB	FLOOR PANEL, FS 1443 TO FS 1480.25
262LB	FLOOR PANEL, FS 1443 TO FS 1480.25
262MB	FLOOR PANEL, FS 1443 TO FS 1480.25
262NB	FLOOR PANEL, FS 1443 TO FS 1480.25
262QB	PANEL, ELECTRICAL CONNECTORS
262RB	ACCESS, STRUCTURE, FS 1480 TO FS 1545 GIRT BAR
262RB-1	ACCESS, GIRT LATCH
262RB-2	ACCESS, GIRT LATCH
262UB	FLOOR PANEL, FS 1480.25 TO FS 1523.45
262UB-1	ACCESS, MULTIPLEX
262VB	FLOOR PANEL, FS 1480.25 TO FS 1523.45
262WB	FLOOR PANEL, FS 1480.25 TO FS 1523.45
262AAB	FLOOR PANEL, FS 1523 TO FS 1545
262BBB	FLOOR PANEL, FS 1523 TO FS 1545

PANEL IDENTIFICATION NUMBER	DESCRIPTION/USE
261AB	ACCESS, STRUCTURE, FS 1243 TO FS 1363
261BB	ACCESS, STRUCTURE, FS 1243 TO FS 1363 CONDUIT
261CB	ACCESS, STRUCTURE, FS 1243 TO FS 1363 CONTROL CABLES
261DB	ACCESS, STRUCTURE, FS 1223 TO FS 1363 CONTROL CABLES
261EB	ACCESS, STRUCTURE, FS 1223 TO FS 1363 CONTROL CABLES
261FB	ACCESS, STRUCTURE, FS 1223 TO FS 1363
261GB	ACCESS, AILERON TENSION REGULATOR
261HB	FLOOR PANEL, FS 1363 TO FS 1443
261JB	FLOOR PANEL, FS 1363 TO FS 1443
261KB	FLOOR PANEL, FS 1363 TO FS 1443
261LB	FLOOR PANEL, FS 1363 TO FS 1443
261MB	FLOOR PANEL, FS 1363 TO FS 1443
261NB	FLOOR PANEL, FS 1443 TO FS 1443
261PB	FLOOR PANEL, FS 1443 TO FS 1480.25
261QB	FLOOR PANEL, FS 1443 TO FS 1480.25
261RB	FLOOR PANEL, FS 1443 TO FS 1480.25
261SB	FLOOR PANEL, FS 1443 TO FS 1480.25
261TB	FLOOR PANEL, FS 1443 TO FS 1480.25
261UB	ACCESS, STRUCTURE, FS 1480 TO FS 1545 GIRT BAR
261UB-1	ACCESS, GIRT LATCHES
261UB-2	ACCESS, GIRT LATCHES
261VB	ACCESS, ELECTRICAL CONNECTORS
261WB	FLOOR PANEL, FS 1480.25 TO FS 1523.45
261XB	FLOOR PANEL, FS 1480.25 TO FS 1523.45
261YB	FLOOR PANEL, FS 1480.25 TO FS 1523.45
261YB-1	ACCESS, MULTIPLEX

FIGURE 87



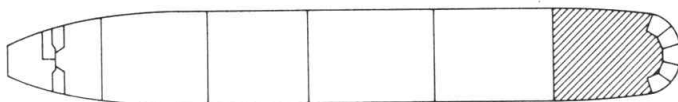
CENTER PASSENGER COMPARTMENT CEILING PANELS

PANEL IDENTIFICATION NUMBER	DISCRIPTION/USE
263AB	CEILING PANEL, DUCTING AND STRUCTURE
263BB	CEILING PANEL, DUCTING AND STRUCTURE
263CB	CEILING PANEL, DUCTING AND STRUCTURE
263EB	CEILING PANEL, ELECTRICAL CONNECTORS, DUCTING
263FB	CEILING PANEL, DUCTING AND STRUCTURE
263GB	CEILING PANEL, DUCTING AND STRUCTURE
263HB	CEILING PANEL, DUCTING, STRUCTURE, WATER DRAINS
263JB	CEILING PANEL, DOOR TRACKS, DUCTING
263KB	CEILING PANEL, DOOR MECHANISM, STRUCTURE
264AB	CEILING PANEL, DUCTING, WIRING, STRUCTURE
264BB	CEILING PANEL, DUCTING, WIRING, STRUCTURE
264CB	CEILING PANEL, DUCTING, WIRING, WATER DRAINS
264DB	CEILING PANEL, DOOR TRACKS, WIRING
264EB	CEILING PANEL, DOOR MECHANISM, STRUCTURE

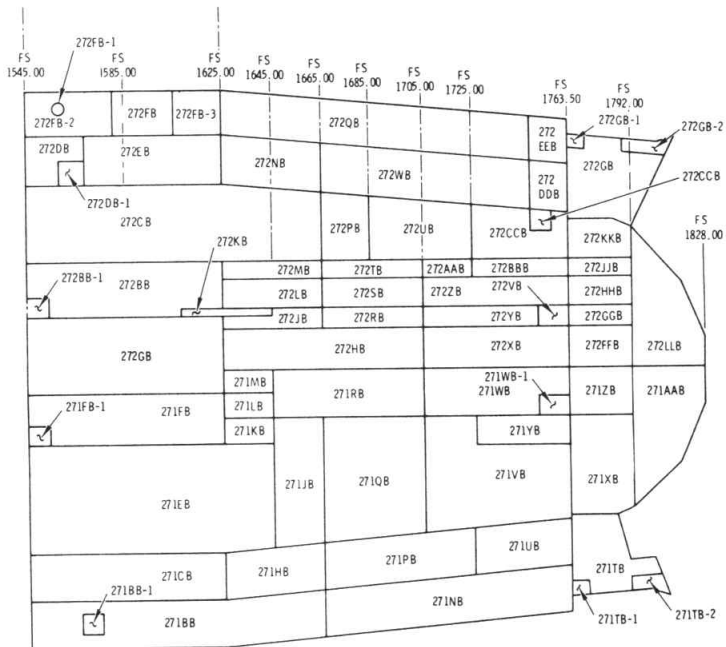
HH 7721
M1-7302-06-077

**INTERIOR PANELS, ZONE 260,
CENTER PASSENGER COMPARTMENT CEILING**

FIGURE 88



ZONE 270



AFT PASSENGER COMPARTMENT FLOOR PANELS

M1-6500-06-163

**INTERIOR PANELS, ZONE 270,
AFT PASSENGER COMPARTMENT FLOOR**

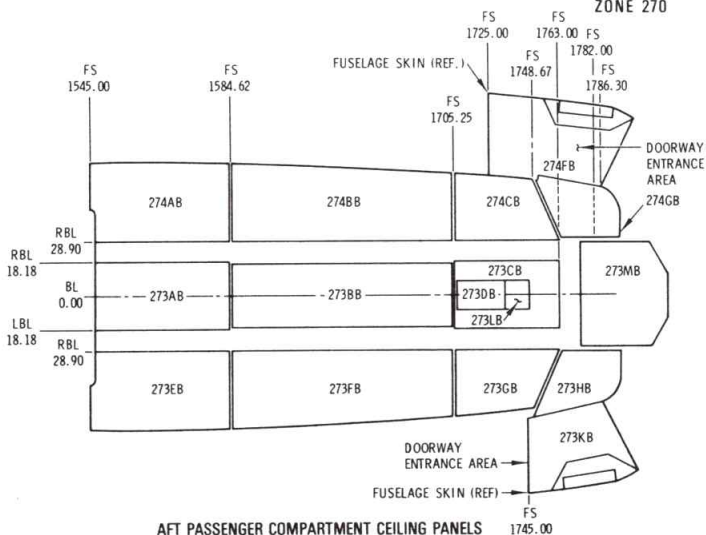
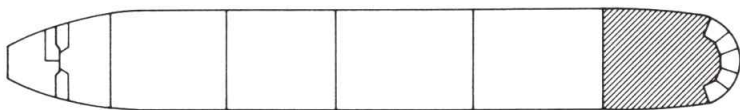
FIGURE 89

PANEL IDENTIFICATION NUMBER	DESCRIPTION/USE
271AAB	FLOOR PANEL, FS 1792 TO FS 1828
271BB	FLOOR PANEL, FS 1545 TO FS 1665
271BB-1	ACCESS, MULTIPLEX
271CB	FLOOR PANEL, FS 1545 TO FS 1625
271EB	FLOOR PANEL, FS 1545 TO FS 1645
271FB	FLOOR PANEL, FS 1545 TO FS 1625
271FB-1	ACCESS, MULTIPLEX
271HB	FLOOR PANEL, FS 1625 TO FS 1665
271JB	FLOOR PANEL, FS 1645 TO FS 1665
271KB	FLOOR PANEL, FS 1625 TO FS 1645
271LB	FLOOR PANEL, FS 1625 TO FS 1645
271MB	FLOOR PANEL, FS 1625 TO FS 1645
271NB	FLOOR PANEL, FS 1665 TO FS 1763.5
271PB	FLOOR PANEL, FS 1665 TO FS 1725
271QB	FLOOR PANEL, FS 1665 TO FS 1705
271RB	FLOOR PANEL, FS 1645 TO FS 1705
271TB	ACCESS, STRUCTURE, FS 1763 TO FS 1804, GIRT ACCESS
271TB-1	ACCESS, GIRT LATCHES
271TB-2	ACCESS, GIRT LATCHES
	ACCESS, STRUCTURE, FS 1763 TO FS 1800
271UB	FLOOR PANEL, FS 1725 TO FS 1763.5
271VB	FLOOR PANEL, FS 1705 TO FS 1763.5
271WB	FLOOR PANEL, FS 1705 TO FS 1763.5
271WB-1	ACCESS, MULTIPLEX
271XB	FLOOR PANEL, FS 1763.5 TO FS 1792
271YB	FLOOR PANEL, FS 1725 TO FS 1763.5
271ZB	FLOOR PANEL, FS 1763.5 TO FS 1792
272AAB	FLOOR PANEL, FS 1705 TO FS 1725
272BB	FLOOR PANEL, FS 1545 TO FS 1625
272BB-1	ACCESS, MULTIPLEX
272BBB	FLOOR PANEL, FS 1725 TO FS 1763.5
272CB	FLOOR PANEL, FS 1545 TO FS 1665
272CCB	FLOOR PANEL, FS 1725 TO FS 1763.5
272CCB-1	ACCESS, MULTIPLEX
272DB	FLOOR PANEL, FS 1545 TO FS 1565
272DB-1	ACCESS, MULTIPLEX
272DOB	FLOOR PANEL, FS 1740 TO FS 1763.5

PANEL IDENTIFICATION NUMBER	DESCRIPTION/USE
272EB	FLOOR PANEL, FS 1565 TO FS 1625
272EBB	FLOOR PANEL, FS 1740 TO FS 1763.5
272FB	ACCESS, CARGO DOOR ROTARY ACTUATOR
272FB-1	ACCESS, CARGO DOOR GEARBOX
272FB-2	ACCESS, CARGO DOOR GEARBOX
272FB-3	ACCESS, CARGO DOOR GEARBOX
272FFB	FLOOR PANEL, FS 1763.5 TO FS 1792
272GB	ACCESS, STRUCTURE, FS 1763 TO FS 1804, GIRT ACCESS
272GGB	FLOOR PANEL, FS 1763.5 TO FS 1792
272GB-1	ACCESS, GIRT LATCH
272GB-2	ACCESS, GIRT LATCH
272HB	FLOOR PANEL, FS 1625 TO FS 1705
272HHB	FLOOR PANEL, FS 1763.5 TO FS 1792
272JB	FLOOR PANEL, FS 1625 TO FS 1665
272JJB	FLOOR PANEL, FS 1763.5 TO FS 1792
272KB	FLOOR PANEL, FS 1605 TO FS 1645
272KKB	FLOOR PANEL, FS 1763.5 TO FS 1792
272LB	FLOOR PANEL, FS 1625 TO FS 1665
272LLB	FLOOR PANEL, FS 1792 TO FS 1828
272MB	FLOOR PANEL, FS 1625 TO FS 1665
272NB	FLOOR PANEL, FS 1625 TO FS 1665
272PB	ACCESS, AFT CARGO COMPARTMENT
272QB	FLOOR PANEL, FS 1625 TO FS 1740
272RB	FLOOR PANEL, FS 1665 TO FS 1705
272SB	FLOOR PANEL, FS 1665 TO FS 1705
272TB	FLOOR PANEL, FS 1665 TO FS 1705
272UB	FLOOR PANEL, FS 1685 TO FS 1725
272VB	ACCESS, MULTIPLEX
272WB	FLOOR PANEL, FS 1665 TO FS 1740
272XB	FLOOR PANEL, FS 1705 TO FS 1763.5
272YB	FLOOR PANEL, FS 1705 TO FS 1755
272ZB	FLOOR PANEL, FS 1705 TO FS 1763.5

INTERIOR PANELS, ZONE 270, AFT PASSENGER COMPARTMENT FLOOR (CONTINUED)

FIGURE 90

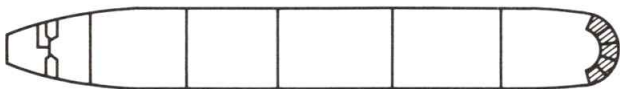


AFT PASSENGER COMPARTMENT CEILING PANELS

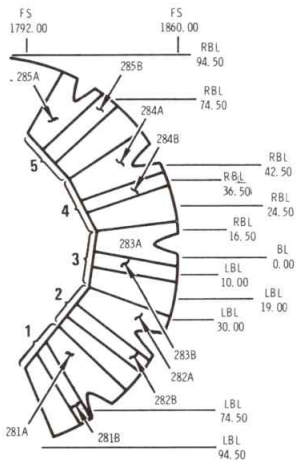
PANEL IDENTIFICATION NUMBER	DESCRIPTION/USE	PANEL IDENTIFICATION NUMBER	DESCRIPTION/USE
273AB	CEILING PANEL, DUCTING, RECTIFIER, WIRING	273KB	CEILING PANEL, DOOR MECHANISM
273BB	CEILING PANEL, STRUCTURE	273LB	CEILING PANEL, MOTION PICTURE PROJECTOR
273CB	CEILING PANEL, STRUCTURE, WIRING	273MB	CEILING PANEL, ENCODER PANEL, ELECTRICAL EQUIPMENT WIRING, MODULES
273DB	CEILING PANEL, MOTION PICTURE PROJECTOR	274AB	CEILING PANEL, DUCTING, WIRING, WATER DRAINS
273EB	CEILING PANEL, DUCTING, WATER DRAINS, WIRING	274BB	CEILING PANEL, DUCTING, WIRING, STRUCTURE
273FB	CEILING PANEL, DUCTING, WIRING, STRUCTURE	264CB	CEILING PANEL, DUCTING, WIRING
273GB	CEILING PANEL, SUB MULTIPLEXER, WIRING	274FB	CEILING PANEL, DOOR MECHANISM, WIRING
273HB	CEILING PANEL, DOOR TRACKS, WIRING	274GB	CEILING PANEL, DOOR TRACKS, WIRING

HH 7720 M1-5502-06-079

INTERIOR PANELS, ZONE 270,
AFT PASSENGER COMPARTMENT CEILING FIGURE 91



ZONE 280

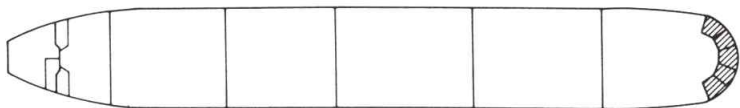


AFT LAVATORY FLOOR PANELS

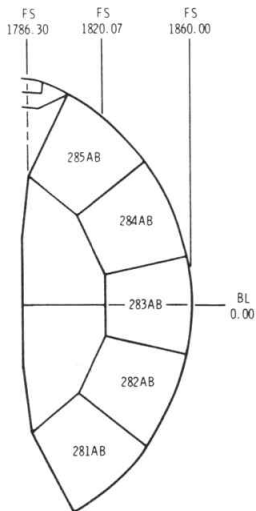
PANEL IDENTIFICATION NUMBER	DESCRIPTION/USE
281A	FLOOR PANEL, RIGHT SIDE NO. 1 AFT LAVATORY
281B	FLOOR PANEL, LEFT SIDE NO. 1 AFT LAVATORY
282A	FLOOR PANEL, RIGHT SIDE NO. 2 AFT LAVATORY
282B	FLOOR PANEL, LEFT SIDE NO. 2 AFT LAVATORY
283A	FLOOR PANEL, RIGHT SIDE NO. 3 AFT LAVATORY
283B	FLOOR PANEL, LEFT SIDE NO. 3 AFT LAVATORY
284A	FLOOR PANEL, RIGHT SIDE NO. 4 AFT LAVATORY
284B	FLOOR PANEL, LEFT SIDE NO. 4 AFT LAVATORY
285A	FLOOR PANEL, RIGHT SIDE NO. 5 AFT LAVATORY
285B	FLOOR PANEL, LEFT SIDE NO. 5 AFT LAVATORY

INTERIOR PANELS, ZONE 280, AFT LAVATORY FLOOR

FIGURE 92



ZONE 280



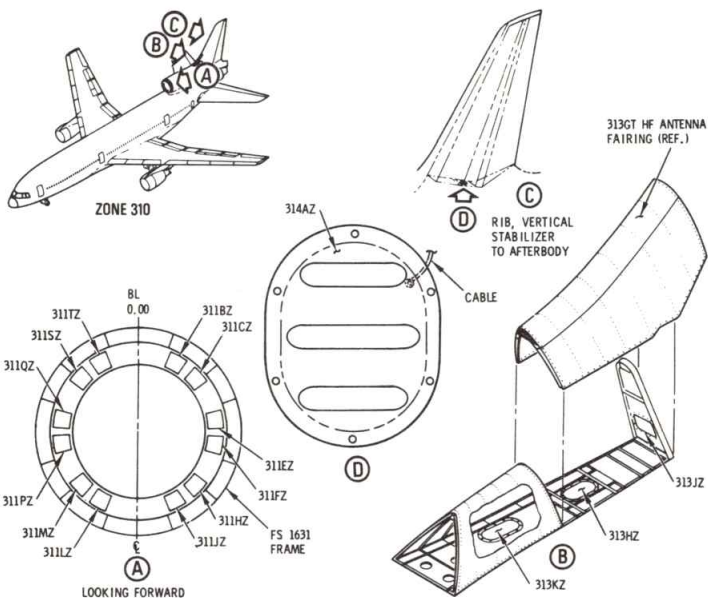
AFT LAVATORY CEILING PANELS

PANEL IDENTIFICATION NUMBER	DESCRIPTION/ USE
281AB	CEILING PANEL, STRUCTURE
282AB	CEILING PANEL, STRUCTURE
283AB	CEILING PANEL, STRUCTURE
284AB	CEILING PANEL, STRUCTURE
285AB	CEILING PANEL, STRUCTURE

HH 7739
M1-0101-06-094

INTERIOR PANELS, ZONE 280, AFT LAVATORY CEILING

FIGURE 93

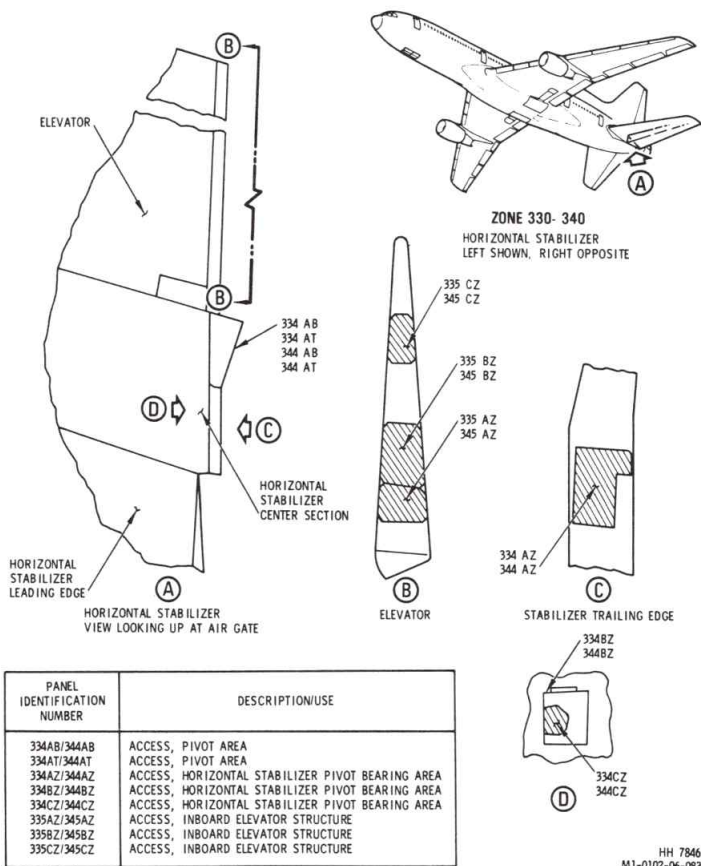


PANEL IDENTIFICATION NUMBER	DESCRIPTION/ USE	PANEL IDENTIFICATION NUMBER	DESCRIPTION/ USE
311BZ	ACCESS, INLET, ANTI-ICING RING	311PZ	ACCESS, INLET, ANTI-ICING RING
311CZ	ACCESS, INLET, ANTI-ICING RING	311QZ	ACCESS, INLET, ANTI-ICING RING
311EZ	ACCESS, INLET, ANTI-ICING RING	311SZ	ACCESS, INLET, ANTI-ICING RING T-DUCT
311FZ	ACCESS, INLET, ANTI-ICING RING	311TZ	ACCESS, INLET, ANTI-ICING RING T-DUCT
311HZ	ACCESS, INLET, ANTI-ICING TEMPERATURE SENSOR	313GT	ACCESS, HF ANTENNA FAIRING
311JZ	ACCESS, INLET, ANTI-ICING TEMPERATURE SENSOR	313HZ	ACCESS, HF ANTENNA, HORIZONTAL SHELF
311LZ	ACCESS, INLET, ANTI-ICING TEMPERATURE SWITCH	313JZ	ACCESS, STRUCTURE, VERTICAL STABILIZER, FIXED LEADING EDGE
311MZ	ACCESS, INLET, ANTI-ICING TEMPERATURE SWITCH	313KZ	ACCESS, HF ANTENNA COUPLER
		314AZ	ACCESS, VERTICAL STABILIZER, LOWER CLOSURE RIB

HH 7890
M1-0103-06-082

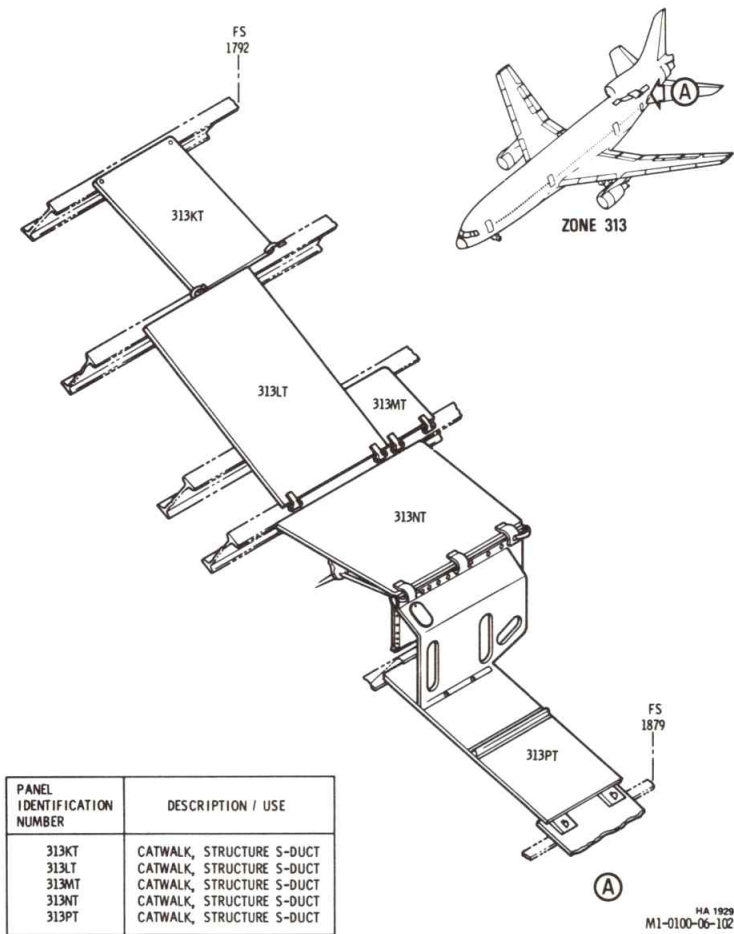
INTERIOR PANELS, ZONE 310, AFTERBODY & CENTER ENGINE AIR INLET

FIGURE 94



**INTERIOR PANELS, ZONES 330-340,
HORIZONTAL STABILIZER**

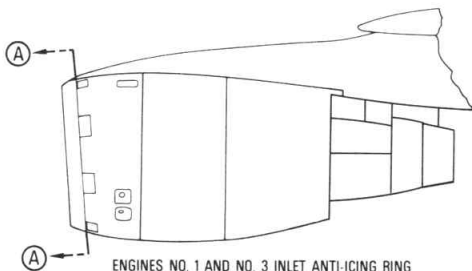
HH 7846
M1-0102-06-083



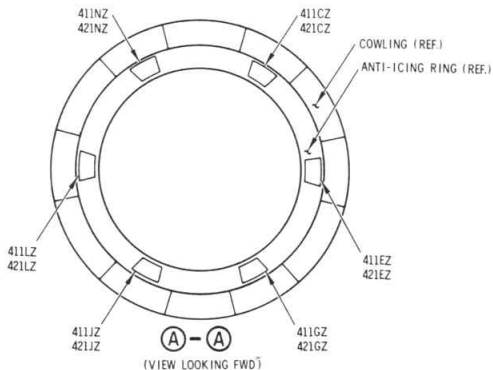
**INTERIOR PANELS, ZONE 313,
DORSAL AREA AFT SADDLE**

FIGURE 96

HA 1929
M1-0100-06-102



ENGINES NO. 1 AND NO. 3 INLET ANTI-ICING RING

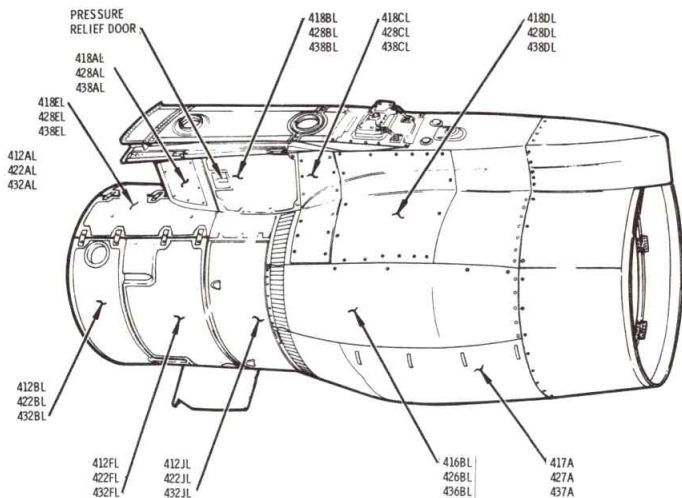


PANEL IDENTIFICATION NUMBER	DESCRIPTION / USE
411/421CZ	ACCESS, INLET ANTI-ICING DUCTING
411/421EZ	ACCESS, INLET ANTI-ICING DUCTING
411/421GZ	ACCESS, INLET ANTI-ICING DUCTING
411/421JZ	ACCESS, INLET ANTI-ICING DUCTING
411/421LZ	ACCESS, INLET ANTI-ICING DUCTING
411/421NZ	ACCESS, INLET ANTI-ICING DUCTING

HH 7742
M1-0101-06-084

INTERIOR PANELS, ZONES 411-421, POWER PLANT NO. 1 & 3 AIR INLET

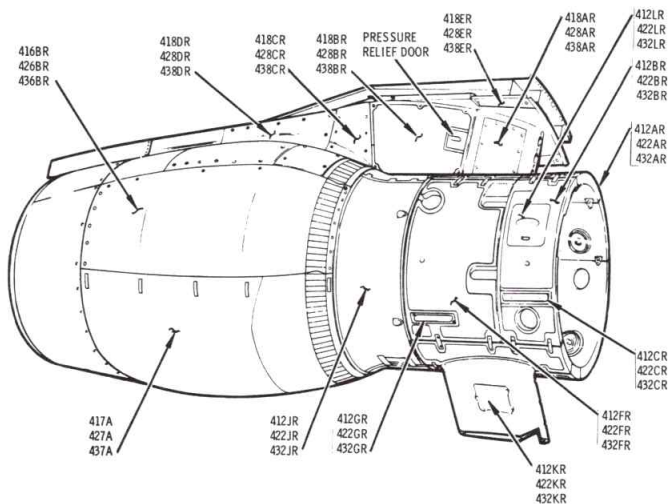
FIGURE 97



PANEL IDENTIFICATION NUMBER	DESCRIPTION/USE
412/422/432AL	ACCESS, COMPRESSOR SECTION, UPPER LEFT
412/422/432BL	ACCESS, COMPRESSOR SECTION, LEFT
412/422/432FL	ACCESS, COMPRESSOR SECTION, LEFT
412/422/432JL	ACCESS, COMBUSTION SECTION, LEFT
416/426/436BL	ACCESS, TURBINE SECTION, LEFT
417/427/437A	ACCESS, TURBINE SECTION, LOWER FAIRING
418/428/438AL	ACCESS, IP DUCT, HP DUCT
418/428/438BL	ACCESS, INTERSERVICES FAIRING, LEFT
418/428/438CL	ACCESS, PYLON FAIRING, UPPER LEFT
418/428/438DL	ACCESS, AIR MOTOR
418/428/438EL	ACCESS, SUPPORT STRUCTURE

INTERIOR PANELS, ZONES 410-420-430, POWER PLANT NO. 1, 2, & 3

FIGURE 98



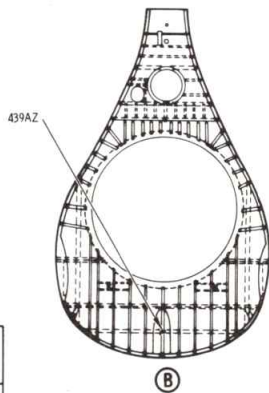
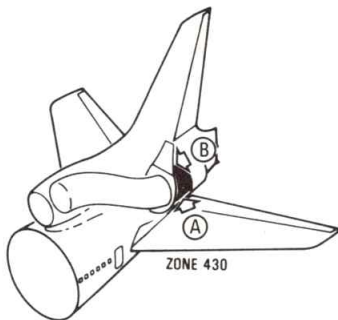
PANEL IDENTIFICATION NUMBER	DESCRIPTION/USE
412/422/432AR	ACCESS, COMPRESSOR SECTION, UPPER RIGHT
412/422/432BR	ACCESS, COMPRESSOR SECTION, RIGHT
412/422/432CR	ACCESS, COMPRESSOR FOR BOROSCOPE INSPECTION
412/422/432FR	ACCESS, COMPRESSOR SECTION, RIGHT
412/422/432GR	ACCESS, COMPRESSOR FOR BOROSCOPE INSPECTION
412/422/432JR	ACCESS, COMBUSTION SECTION, RIGHT
412/422/432KR	ACCESS, EXTERNAL GEARBOX DRIVE
412/422/432LR	ACCESS, PRESSURE RELIEF DOOR
416/426/436BR	ACCESS, TURBINE SECTION, RIGHT
417/427/437A	ACCESS, TURBINE SECTION LOWER FAIRING
418/428/438AR	ACCESS, IP DUCT, HP DUCT
418/428/438BR	ACCESS INTERSERVICES FAIRING, RIGHT
418/428/438CR	ACCESS, PYLON FAIRING, UPPER RIGHT
418/428/438DR	ACCESS, AIR MOTOR
418/428/438ER	ACCESS, SUPPORT STRUCTURE

INTERIOR PANELS, ZONES 410-420-430, POWER PLANT NO. 1, 2, & 3

FIGURE 99



ENGINE NO. 2 "S" DUCT ADAPTER



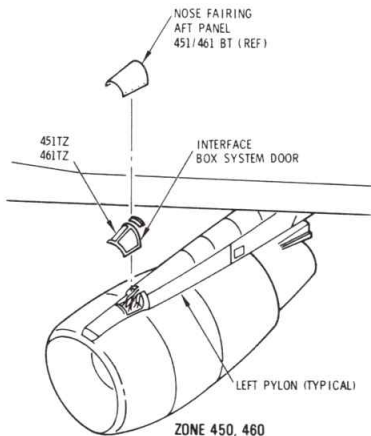
ENGINE NO. 2 FIREWALL
(VIEW LOOKING FWD)

PANEL IDENTIFICATION NUMBER	DESCRIPTION / USE
431AZ	ACCESS, ENGINE NO. 2 FAN, SPINNER, 1P COMPRESSOR
439AZ	ACCESS, TAIL SKID

HH 7758
M1-0102-06-087

INTERIOR PANELS, ZONE 430, POWER PLANT NO. 2

FIGURE 100

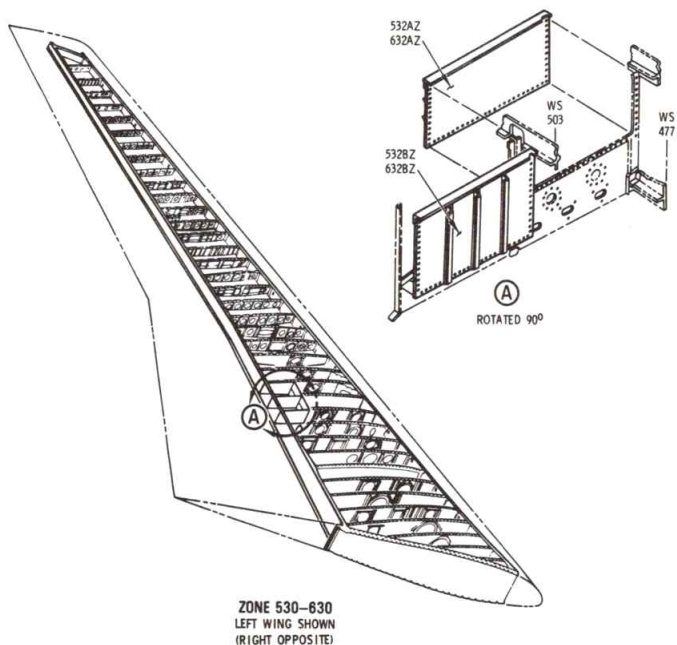


PANEL IDENTIFICATION NUMBER	DESCRIPTION / USE
451/461TZ	ACCESS, ENGINE ELECTRICAL CONNECTIONS

HH 5697
M1-0101-06-099

INTERIOR PANELS, ZONES 452-462, ENGINE PYLONS NO. 1 & NO. 2

FIGURE 101

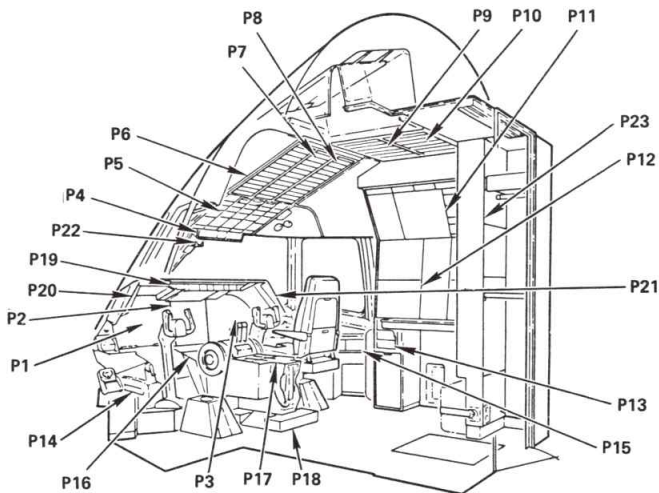


PANEL IDENTIFICATION NUMBER	DESCRIPTION / USE
532/632AZ	ACCESS, SURGE BOX COMPONENTS
532/632BZ	ACCESS, SURGE BOX COMPONENTS

HH 7698
M1-0102-06-088

INTERIOR ACCESS DOORS & PANELS, ZONES 530-630, WING, FRONT SPAR TO REAR SPAR

FIGURE 102



FLIGHT STATION

- | | | | |
|-----|---|-----|--|
| P1 | CAPTAIN'S INSTRUMENT PANEL | P12 | FLIGHT ENGINEER/SECOND OFFICER'S LOWER PANEL |
| P2 | PILOT'S CENTER INSTRUMENT PANEL | P13 | FLIGHT ENGINEER/SECOND OFFICER'S AUXILIARY PANEL |
| P3 | FIRST OFFICER'S INSTRUMENT PANEL | P14 | CAPTAIN'S SIDE CONSOLE (NOT SHOWN) |
| P4 | EYEBROW PANEL | P15 | FIRST OFFICER'S SIDE CONSOLE |
| P5 | PILOT'S OVERHEAD PANEL | P16 | FRONT CENTER CONSOLE |
| P6 | SECTION 1 PILOT'S OVERHEAD CIRCUIT BREAKER PANEL (CB1) | P17 | PILOT'S CENTER CONSOLE |
| P7 | SECTION 2 PILOT'S OVERHEAD CIRCUIT BREAKER PANEL (CB1) | P18 | REAR LOWER CENTER CONSOLE |
| P8 | SECTION 3 PILOT'S OVERHEAD CIRCUIT BREAKER PANEL (CB1) | P19 | GLARESHIELD PANEL |
| P9 | SECTION 1 FLIGHT ENGINEER/SECOND OFFICER OVERHEAD CIRCUIT BREAKER PANEL (CB2) | P20 | CAPTAIN'S SIDE PANEL |
| P10 | SECTION 2 FLIGHT ENGINEER/SECOND OFFICER'S OVERHEAD CIRCUIT BREAKER PANEL (CB2) | P21 | FIRST OFFICER'S SIDE PANEL |
| P11 | FLIGHT ENGINEER/SECOND OFFICER'S UPPER PANEL | P22 | COMPASS |
| | | P23 | FLIGHT ENGINEER/SECOND OFFICER'S AFT CIRCUIT BREAKER PANEL (CB3) |

FIGURE 103

