

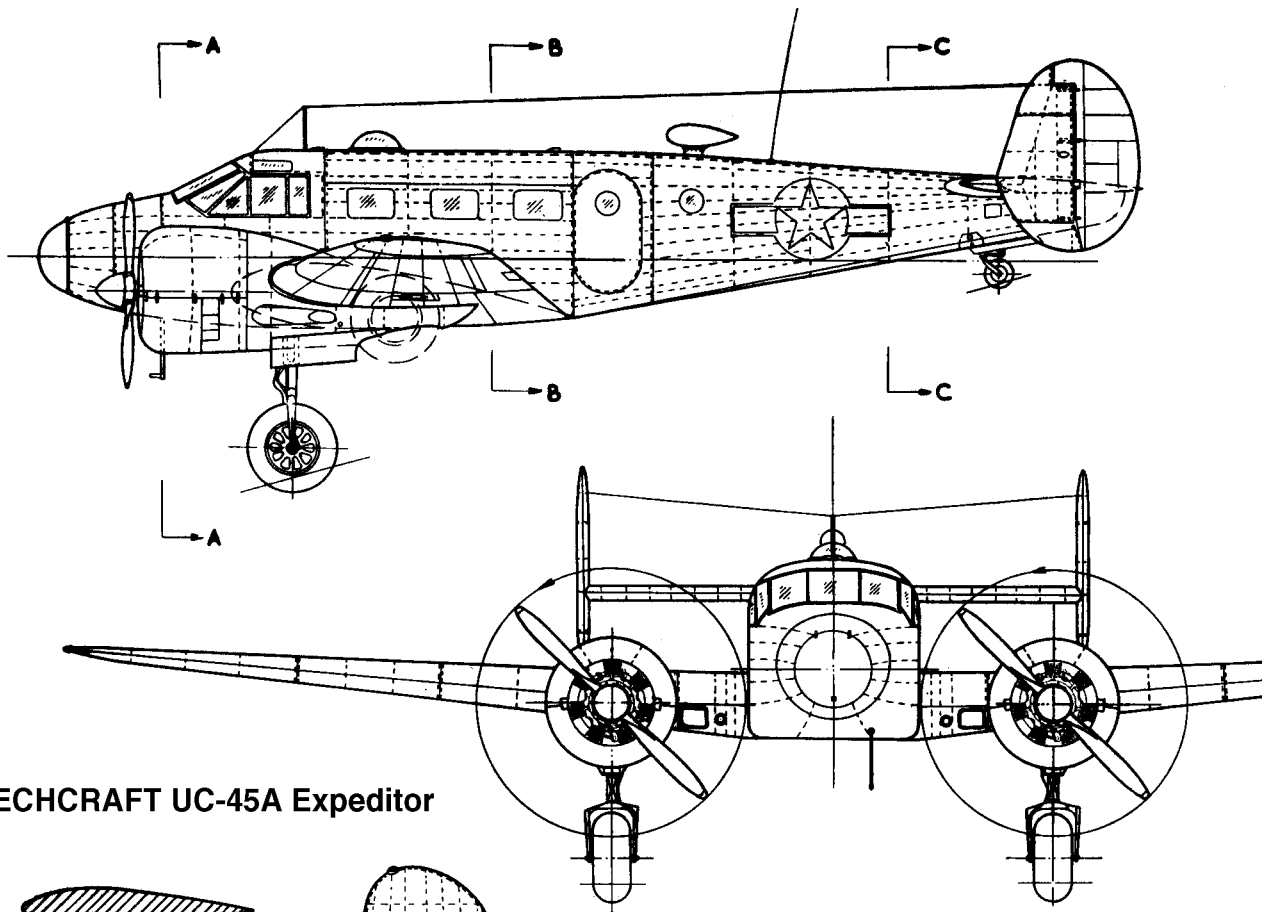
**WWII Allied And Axis Aircraft
1/72nd Scale 3-View Drawings
File 1.0 12/30/95**

COPYRIGHT NOTICE

You have permission to copy and distribute this file or program, as supplied and without change, provided that there is **NO charge or surcharge**, other than for normal download time. **If you charge to distribute this file you MUST get written permission from the author.**

Please see the [Copyright & Fair Use](#) notice in this publication for specific details.

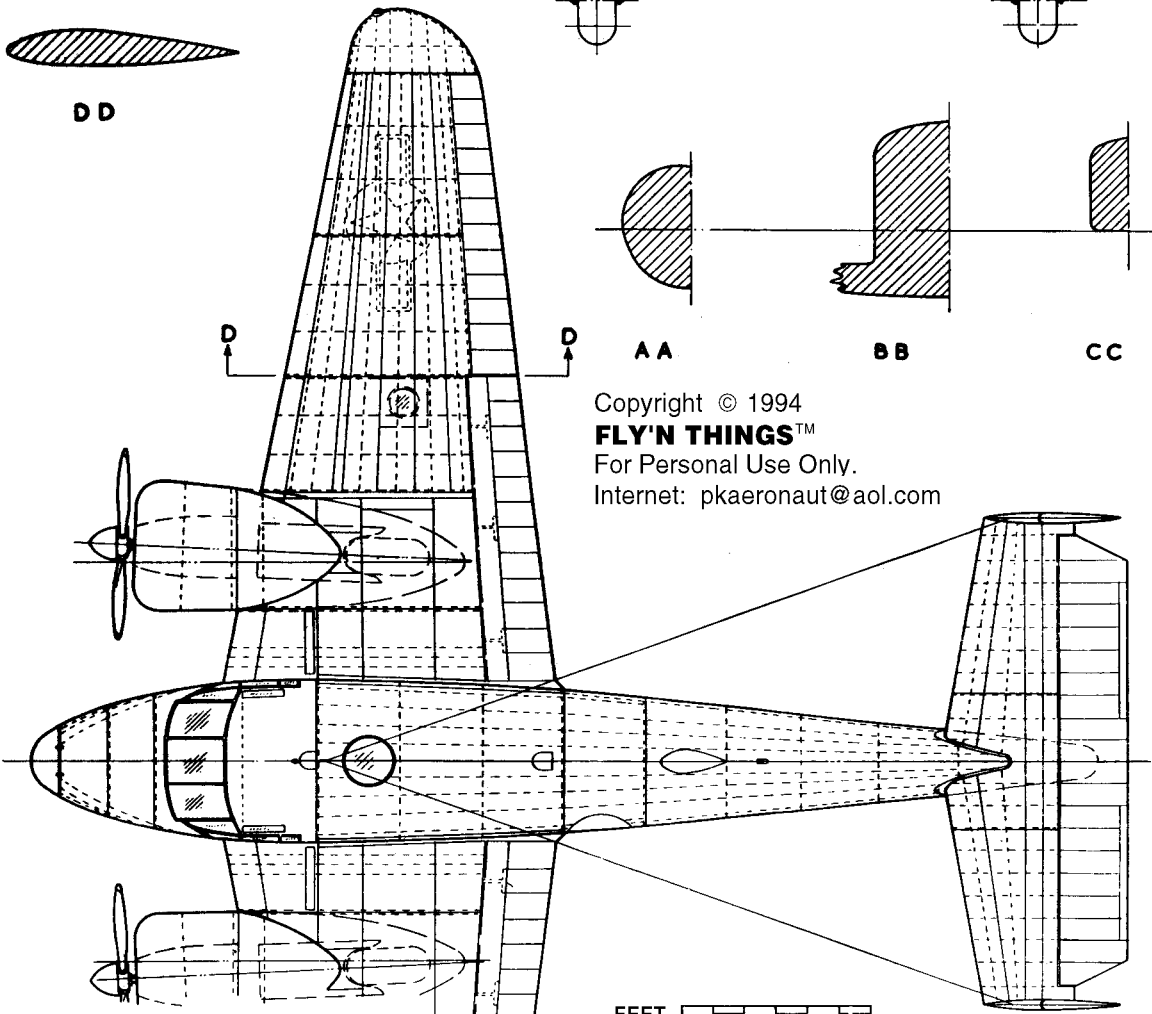
CLICK PAGE TO VIEW BOOK



BEECHCRAFT UC-45A Expeditor



DD



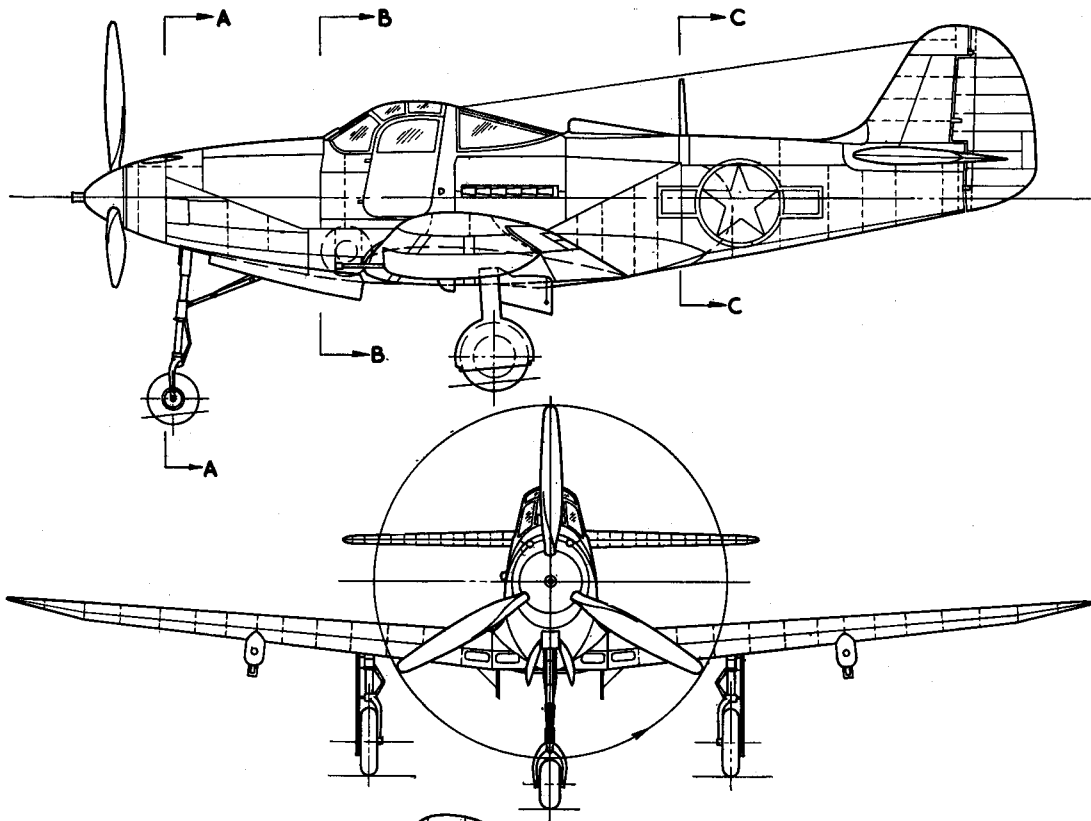
AA

BB

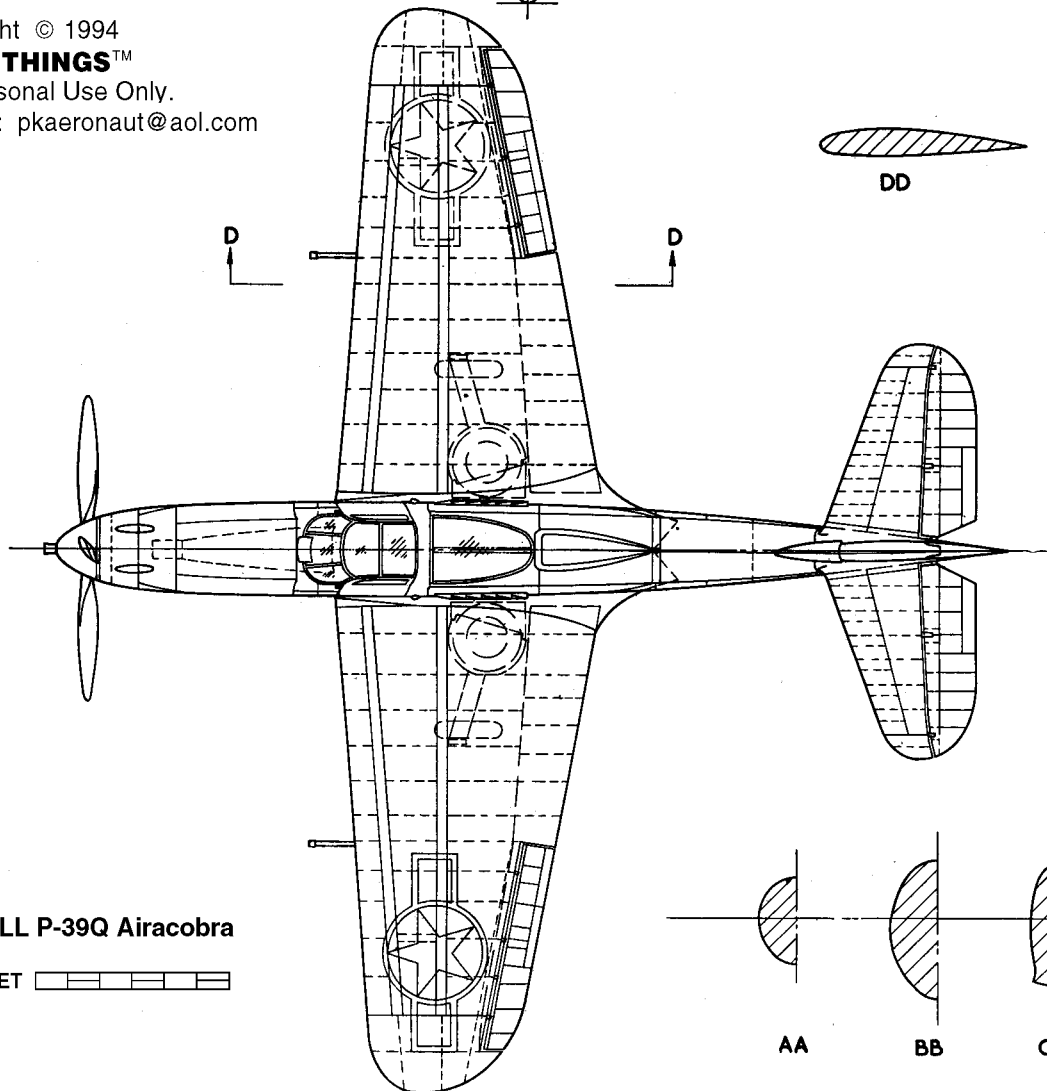
CC

Copyright © 1994
FLY'N THINGS™
 For Personal Use Only.
 Internet: pkaeronaut@aol.com

FEET

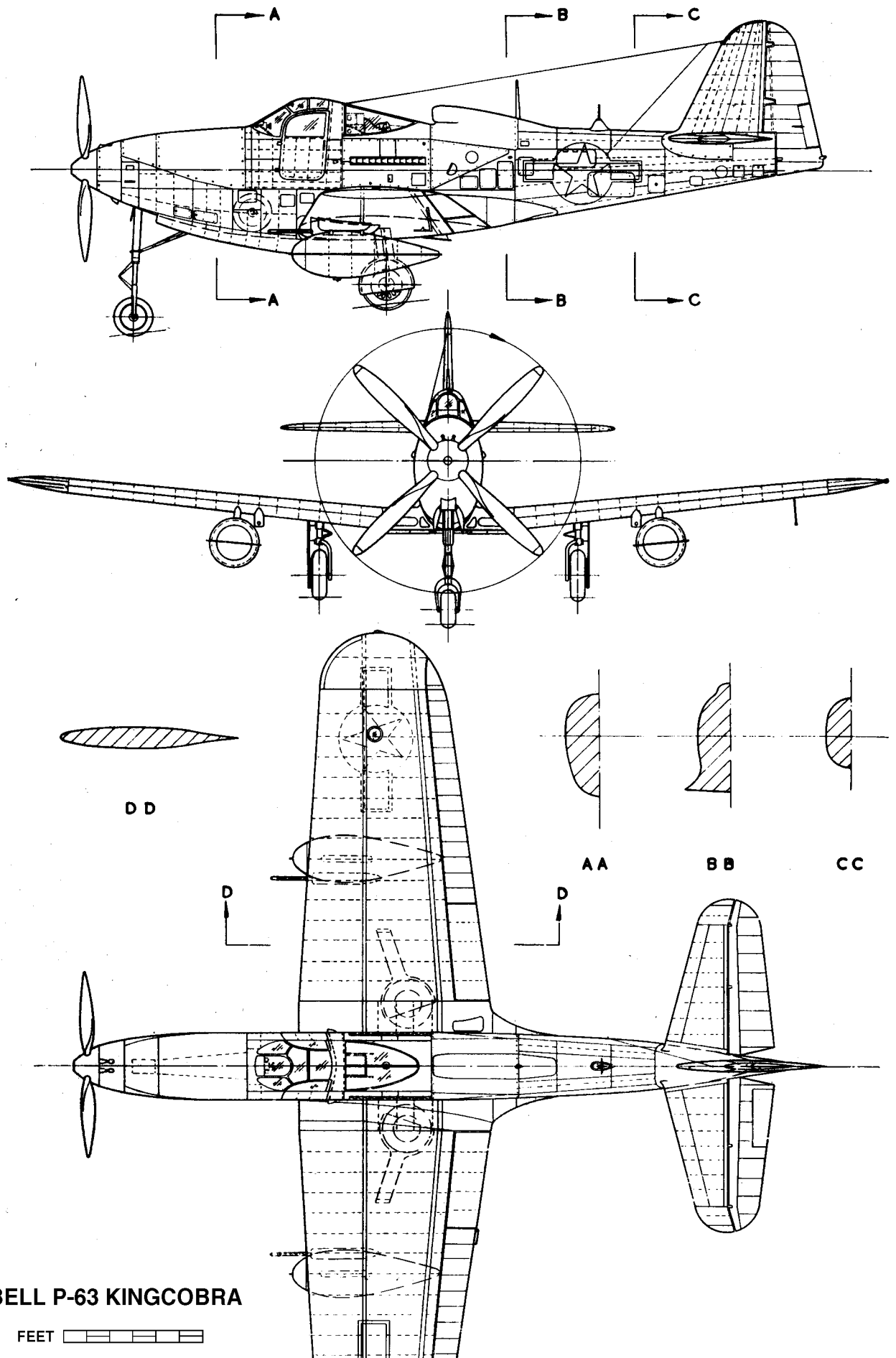


Copyright © 1994
FLY'N THINGS™
 For Personal Use Only.
 Internet: pkaeronaut@aol.com

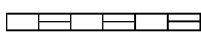


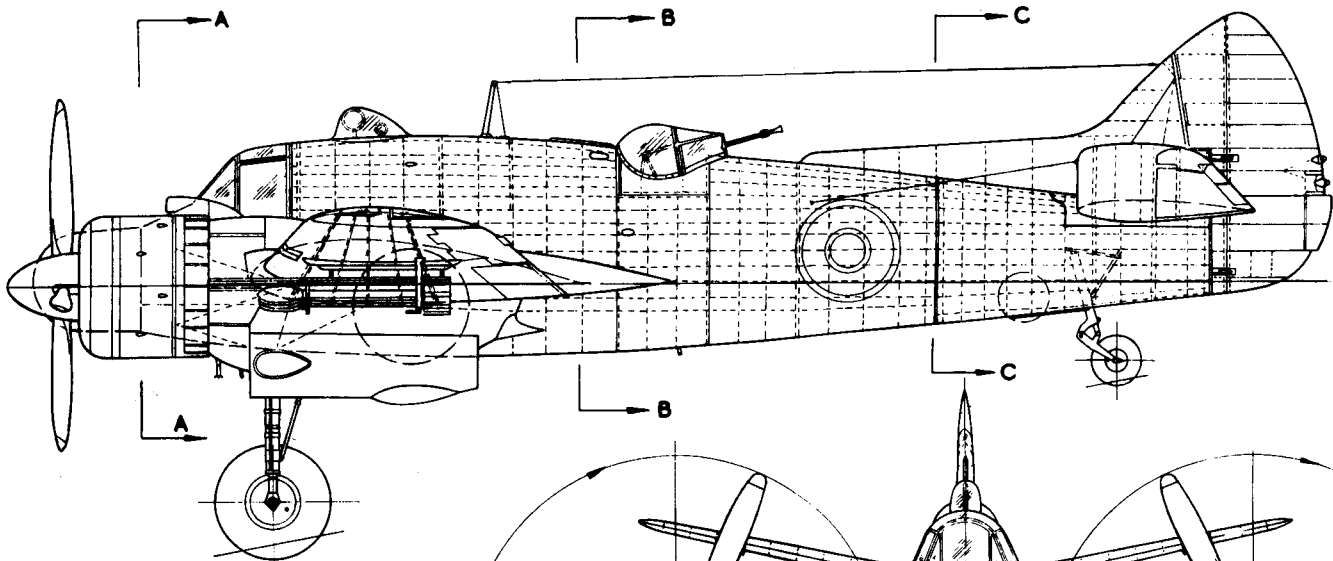
BELL P-39Q Airacobra

FEET

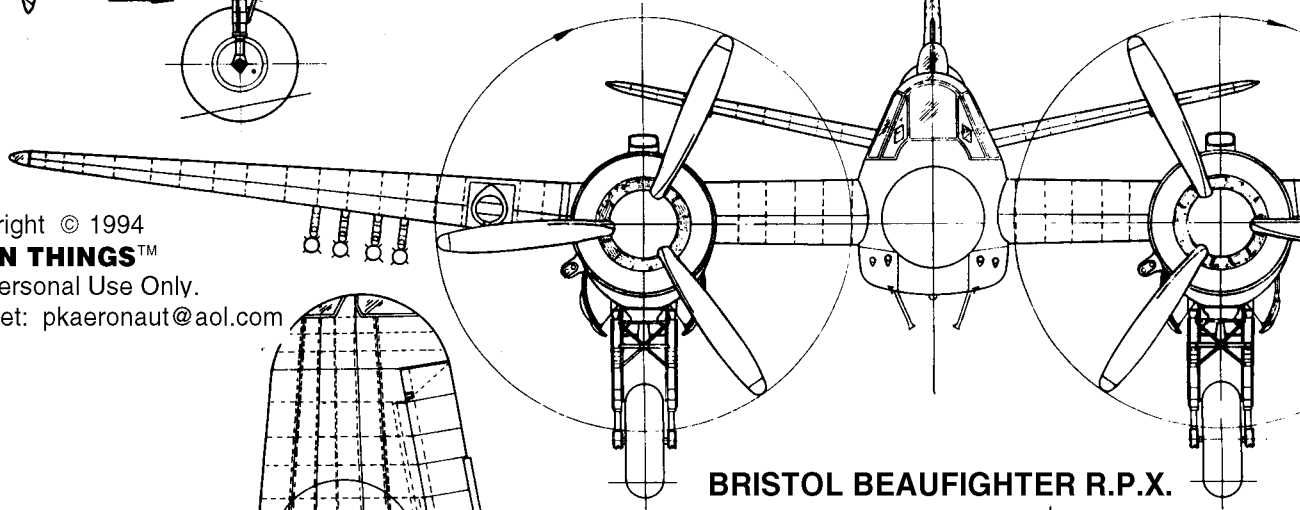


BELL P-63 KINGCOBRA

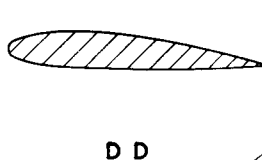
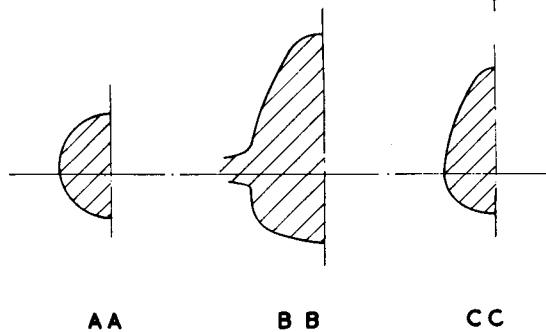
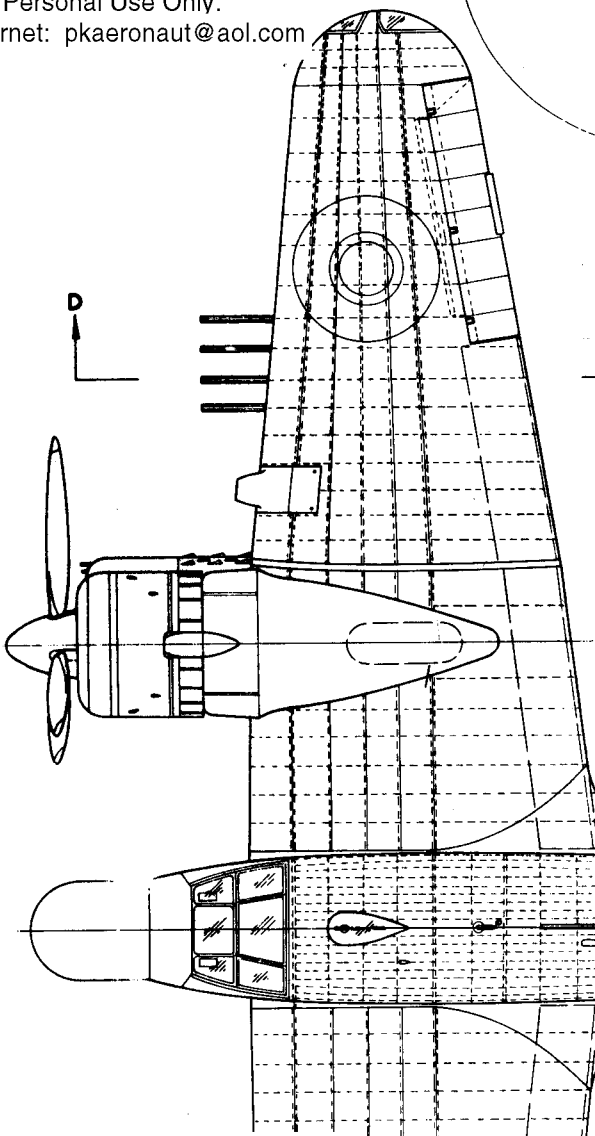
FEET 



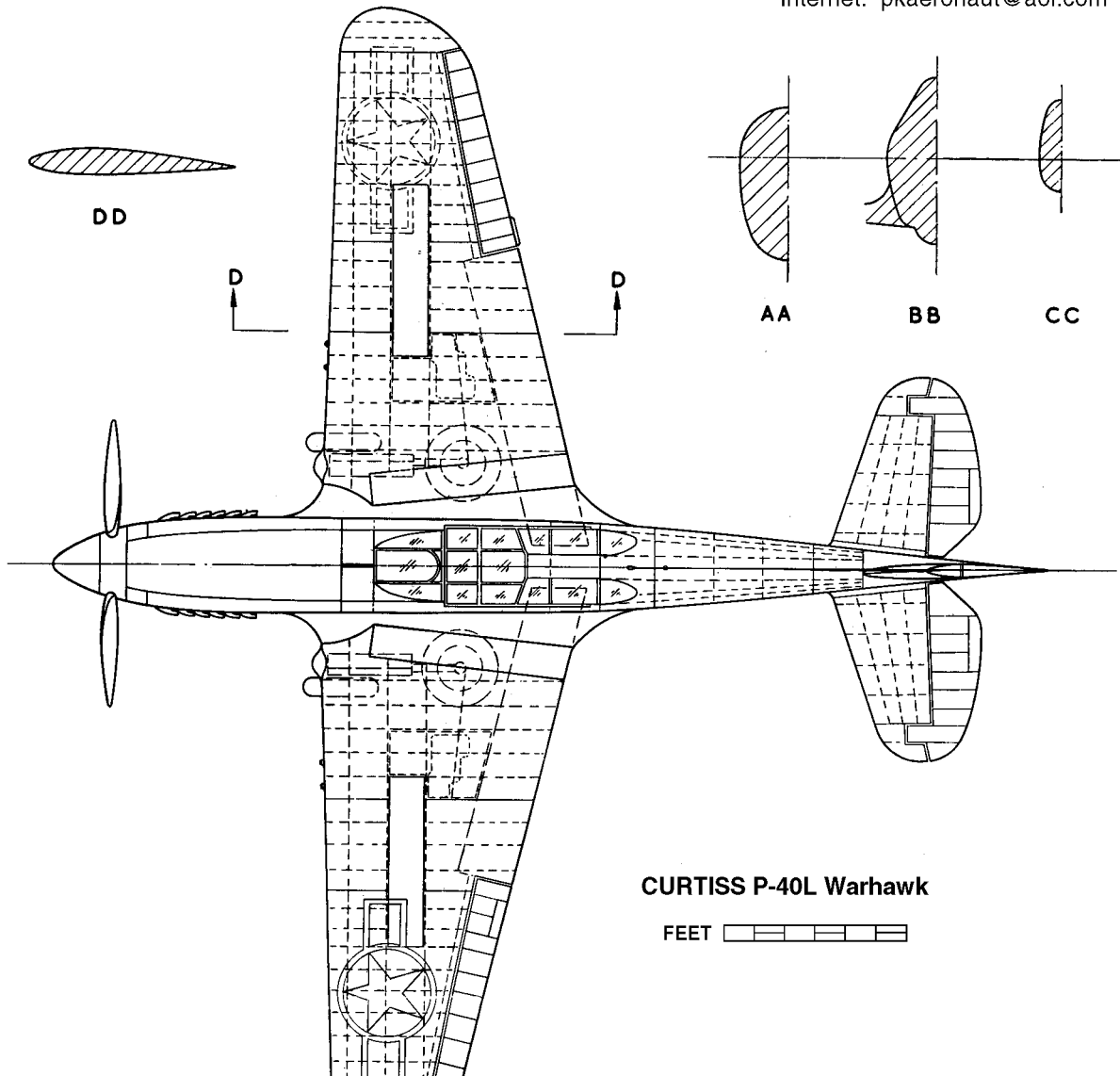
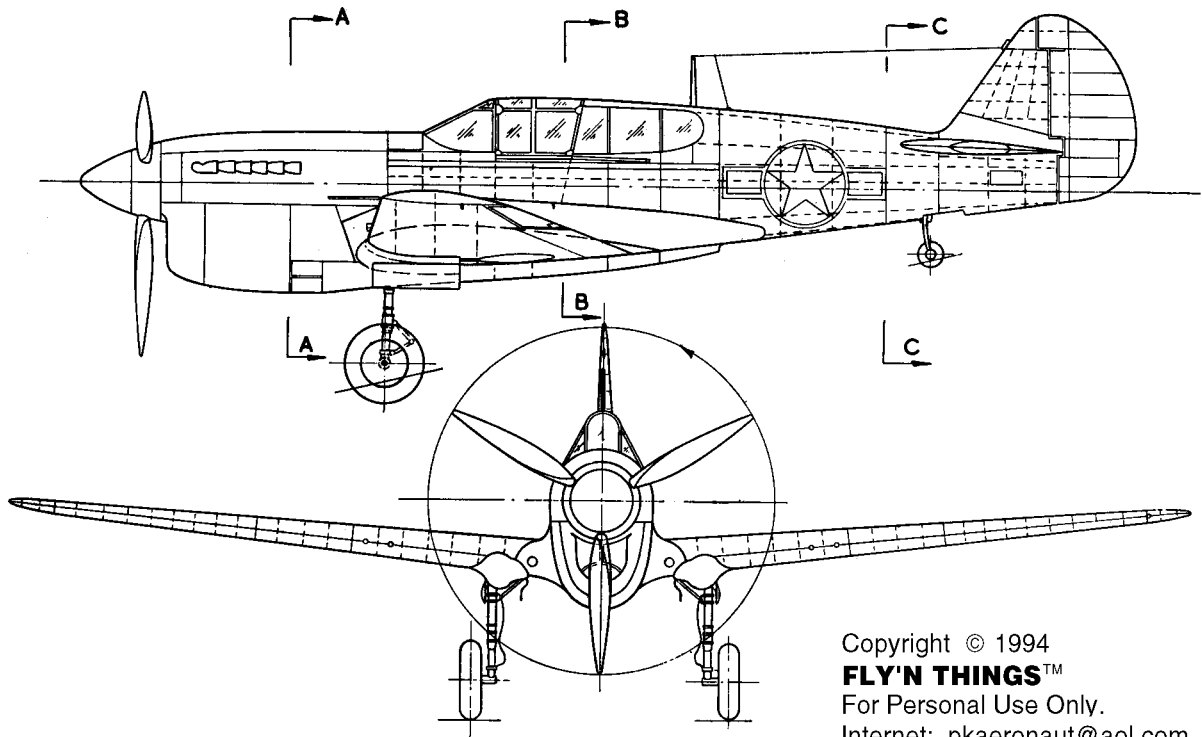
Copyright © 1994
FLY'N THINGS™
 For Personal Use Only.
 Internet: pkaeronaut@aol.com

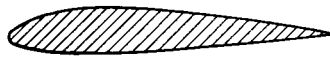
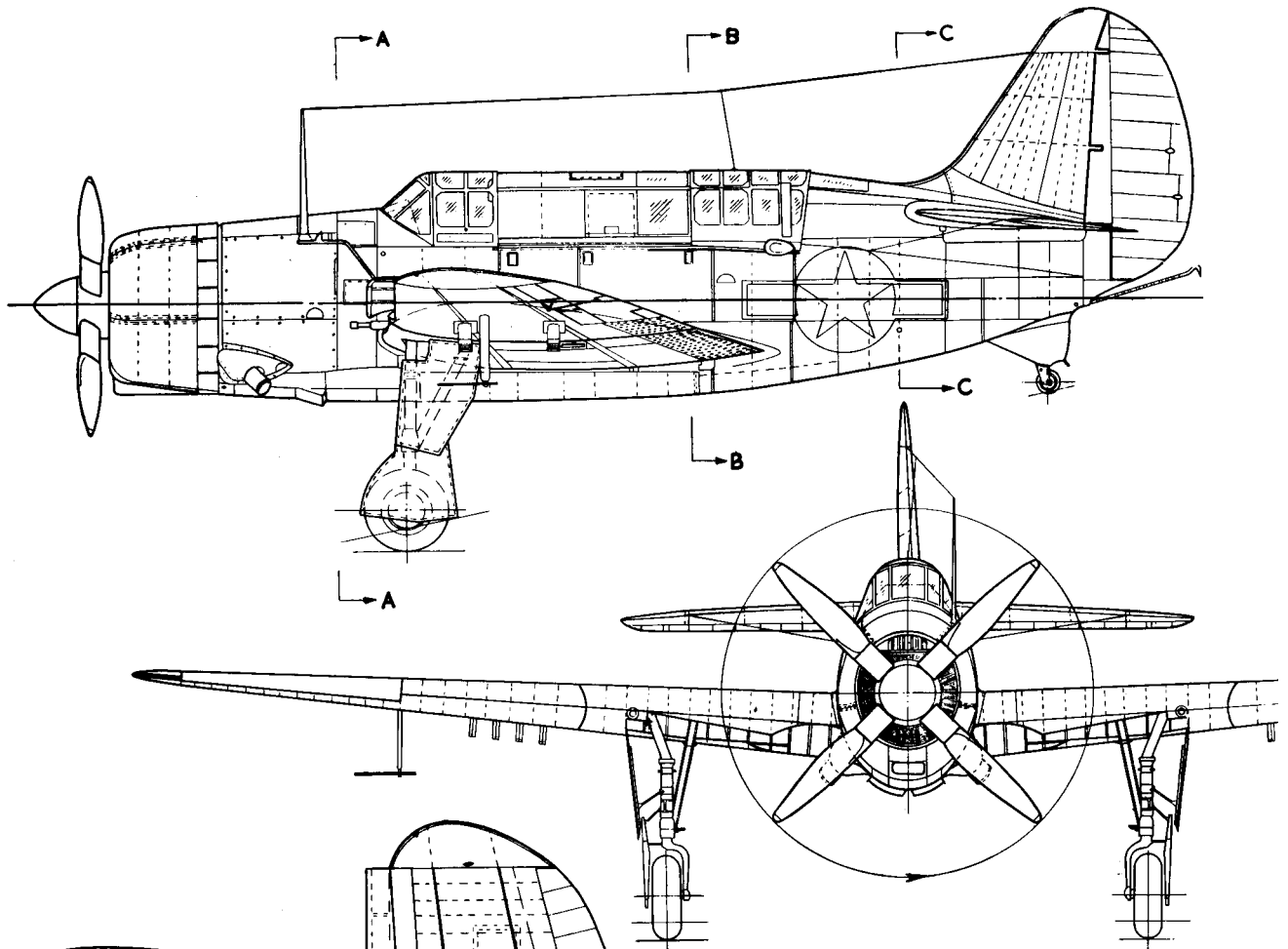


BRISTOL BEAUFIGHTER R.P.X.



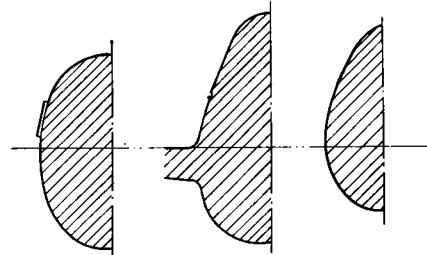
FEET





DD

Copyright © 1994
FLY'N THINGS™
 For Personal Use Only.
 Internet: pkaeronaut@aol.com



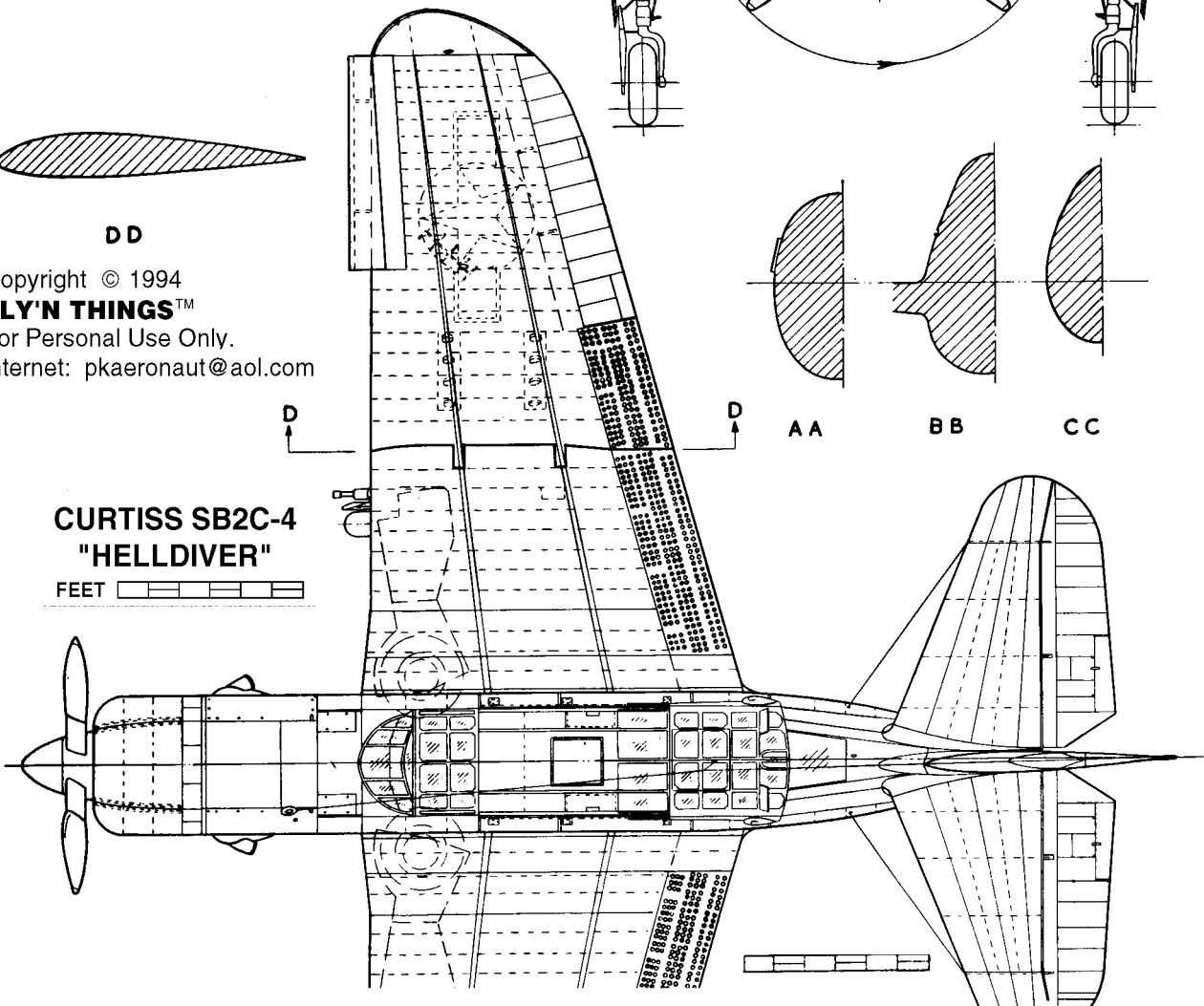
AA

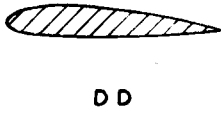
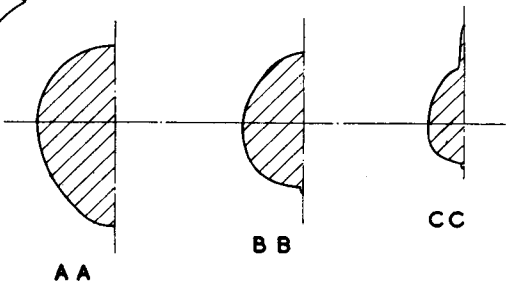
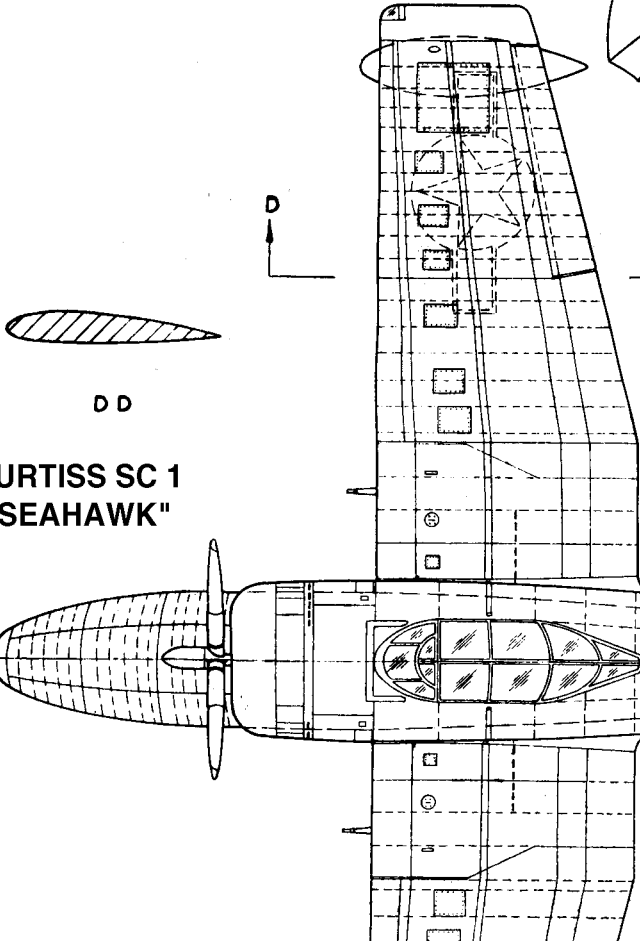
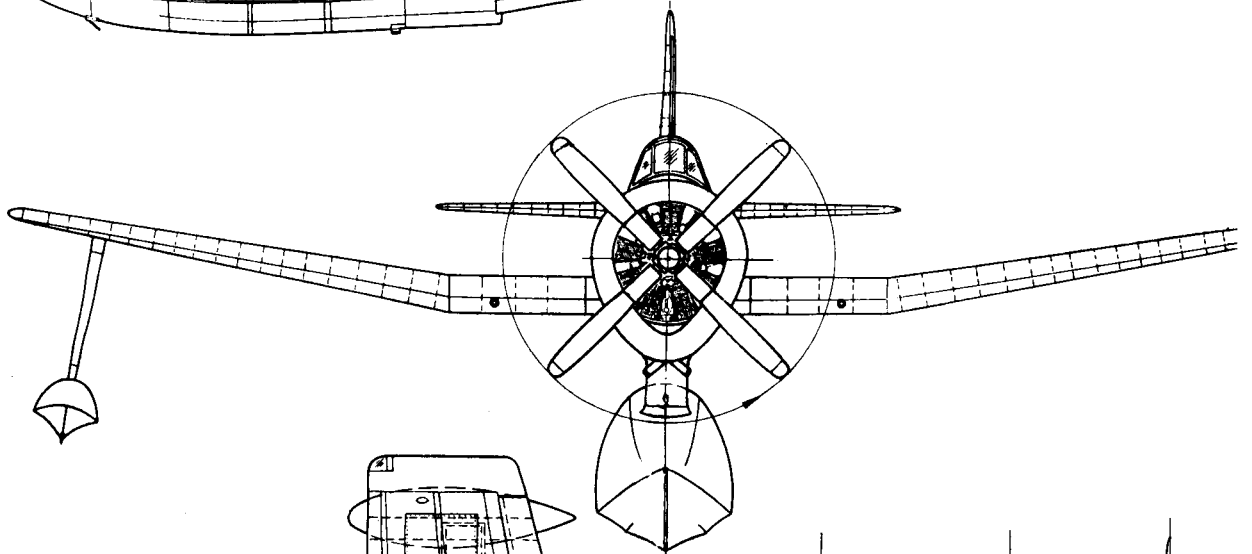
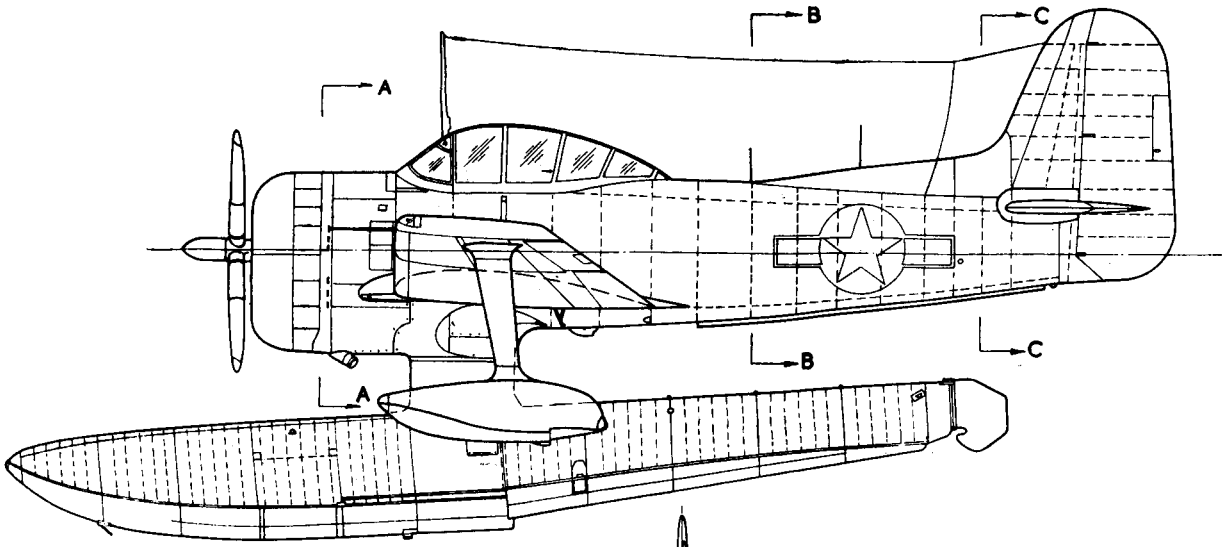
BB

CC

**CURTISS SB2C-4
 "HELLDIVER"**

FEET

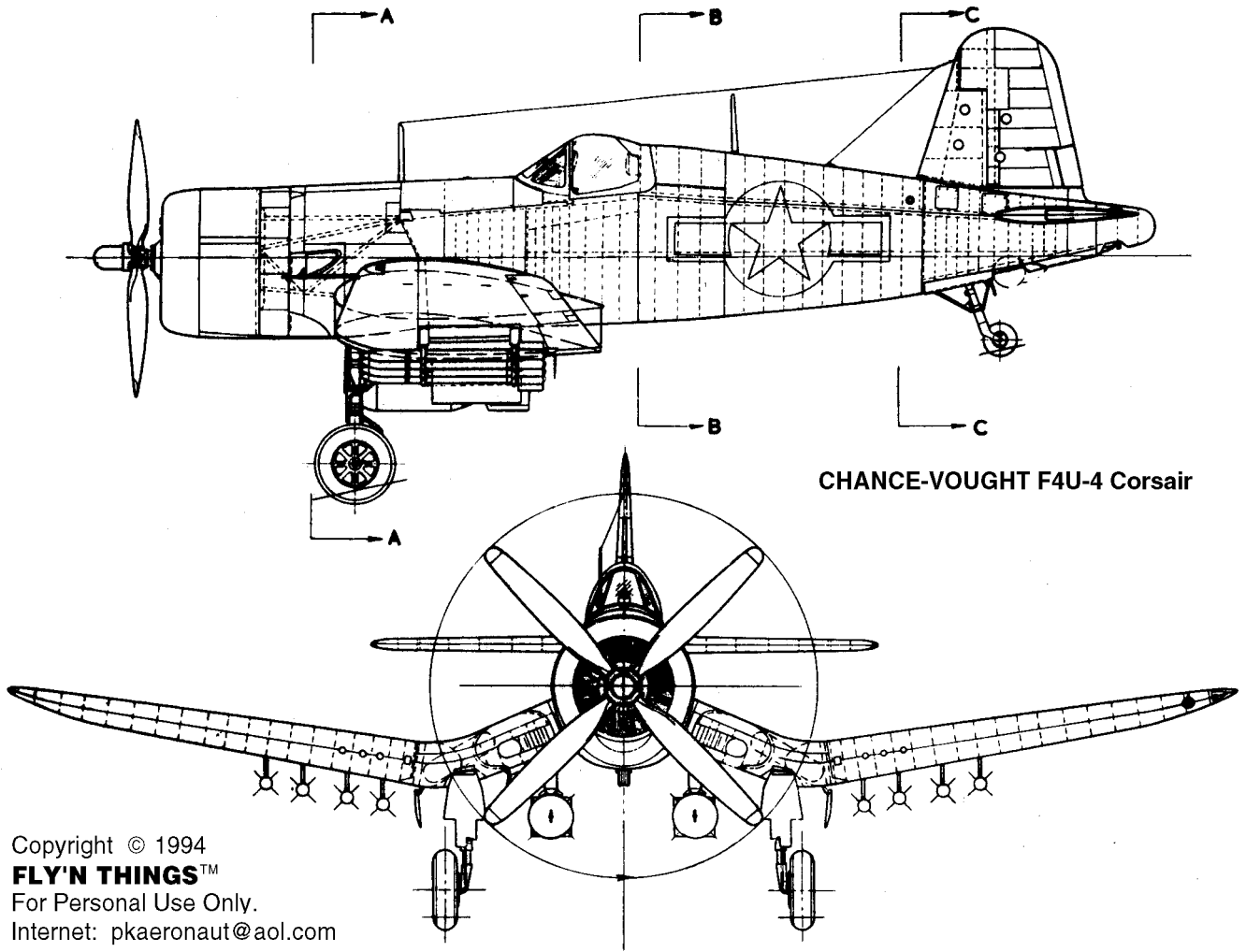




**CURTISS SC 1
"SEAHAWK"**

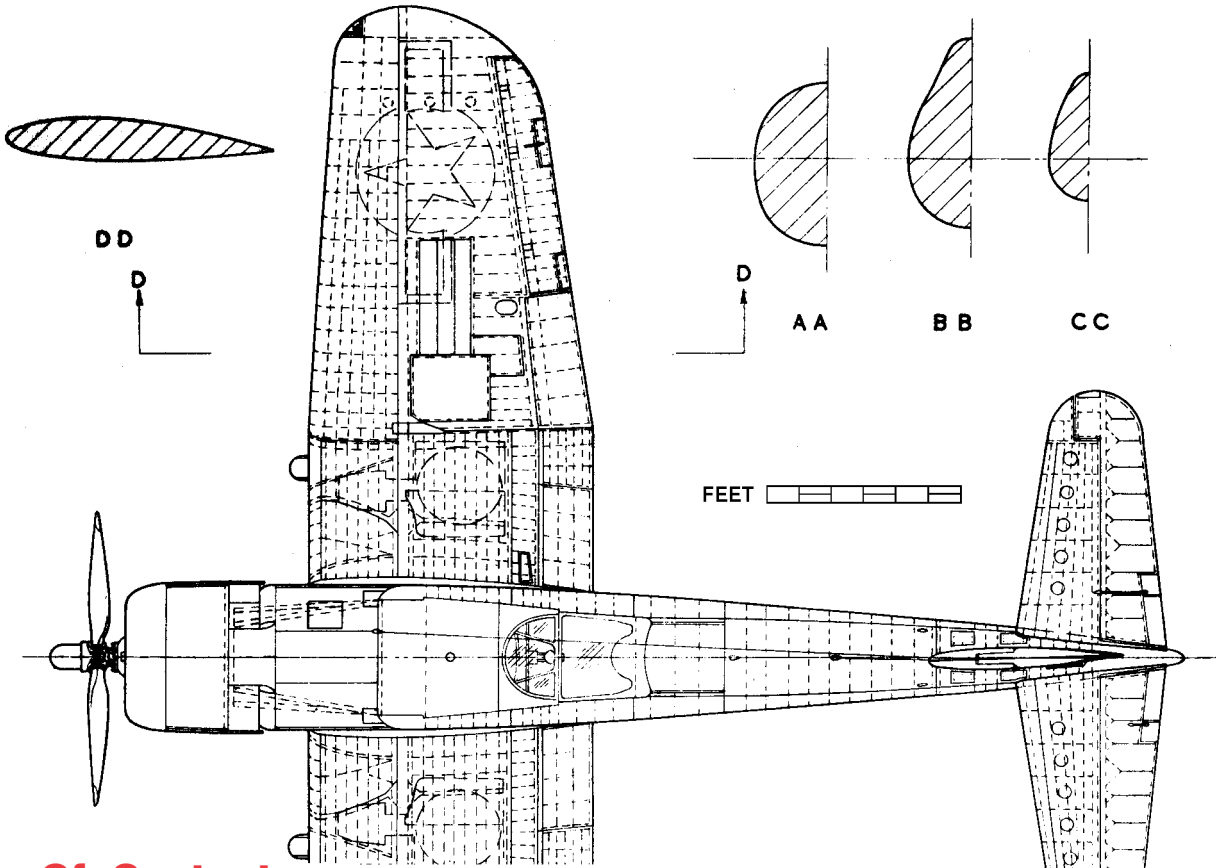
Copyright © 1994
FLY'N THINGS™
 For Personal Use Only.
 Internet: pkaeronaut@aol.com

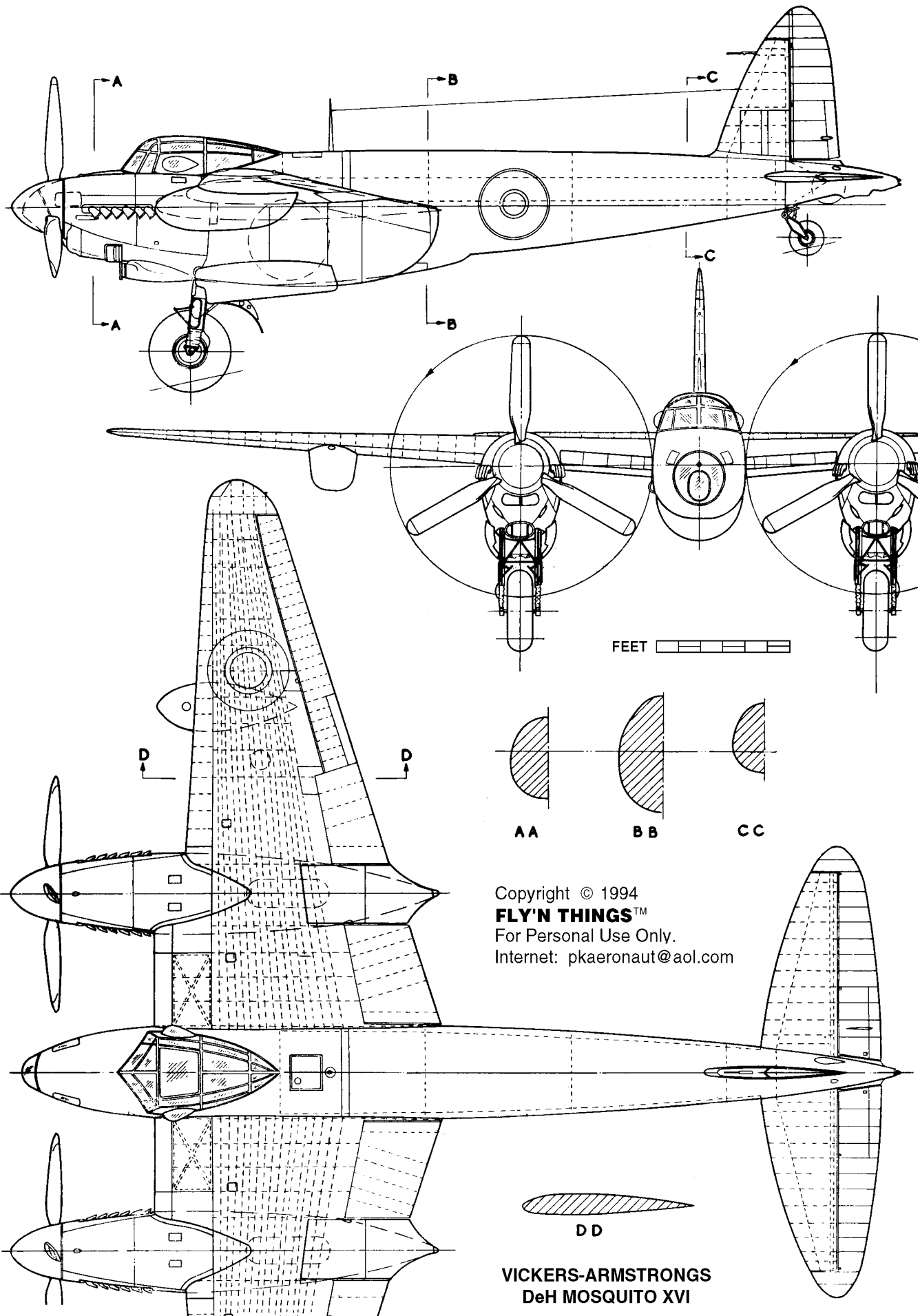
FEET

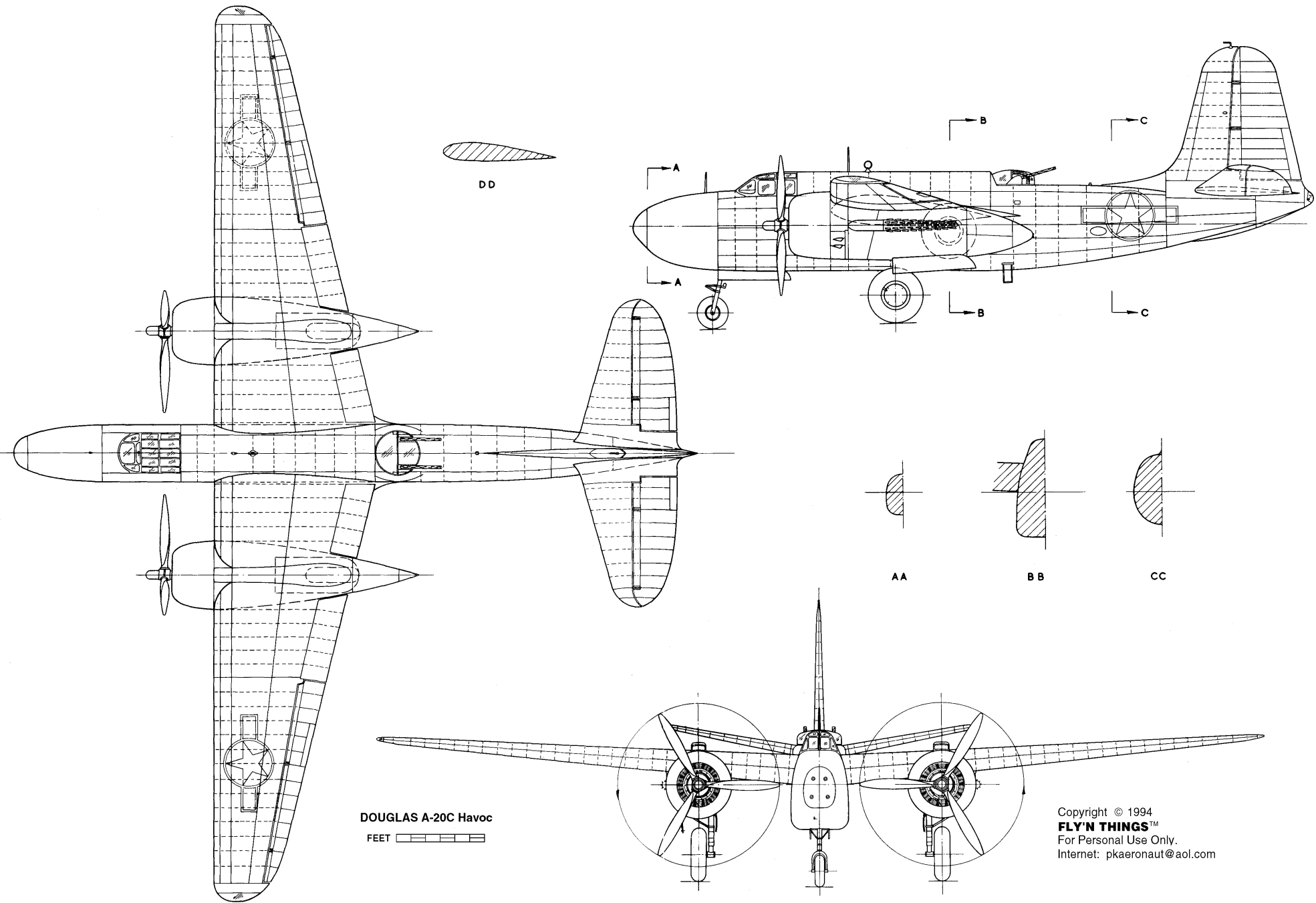


CHANCE-VOUGHT F4U-4 Corsair

Copyright © 1994
FLY'N THINGS™
 For Personal Use Only.
 Internet: pkaeronaut@aol.com

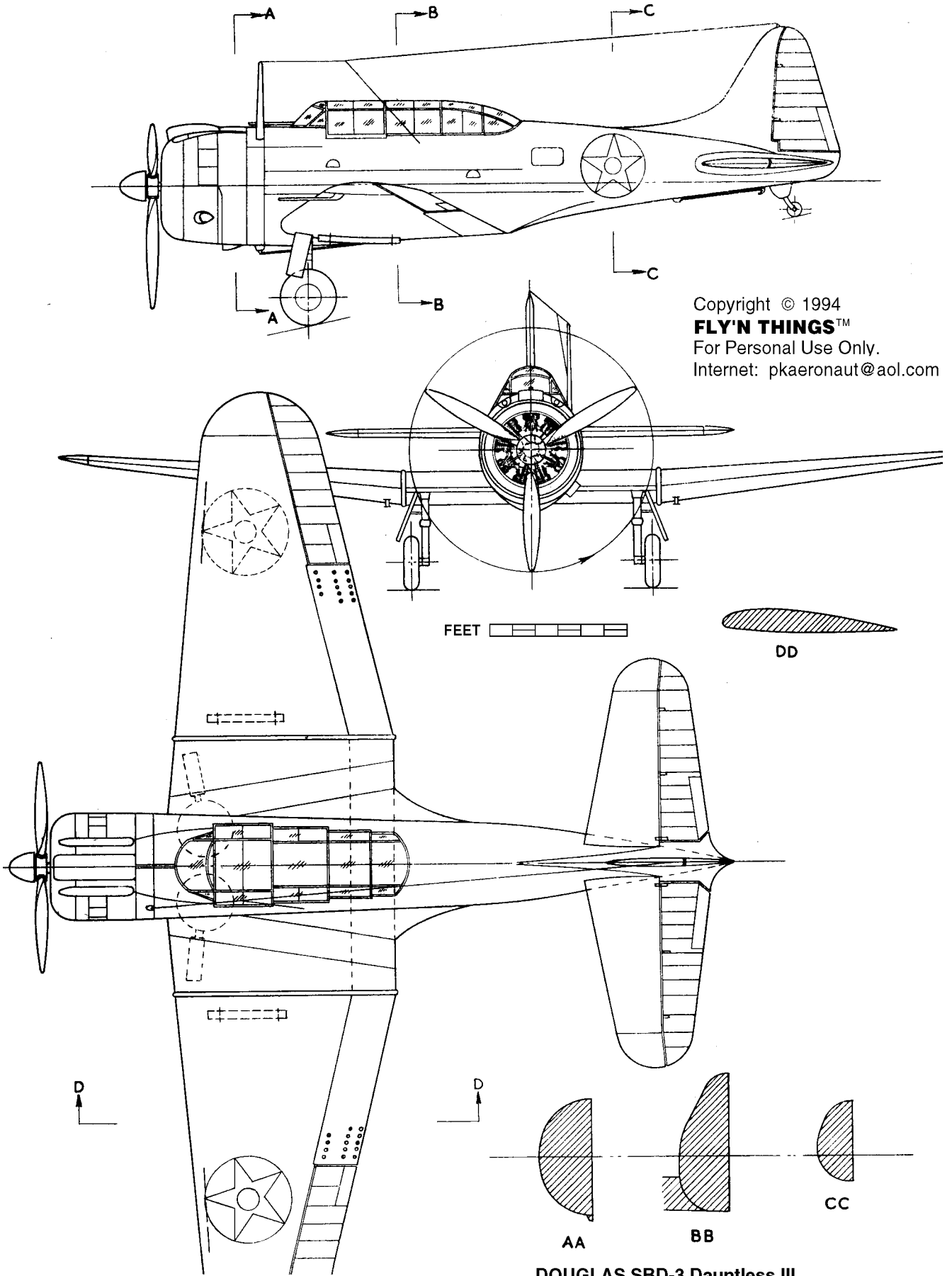






DOUGLAS A-20C Havoc
 FEET

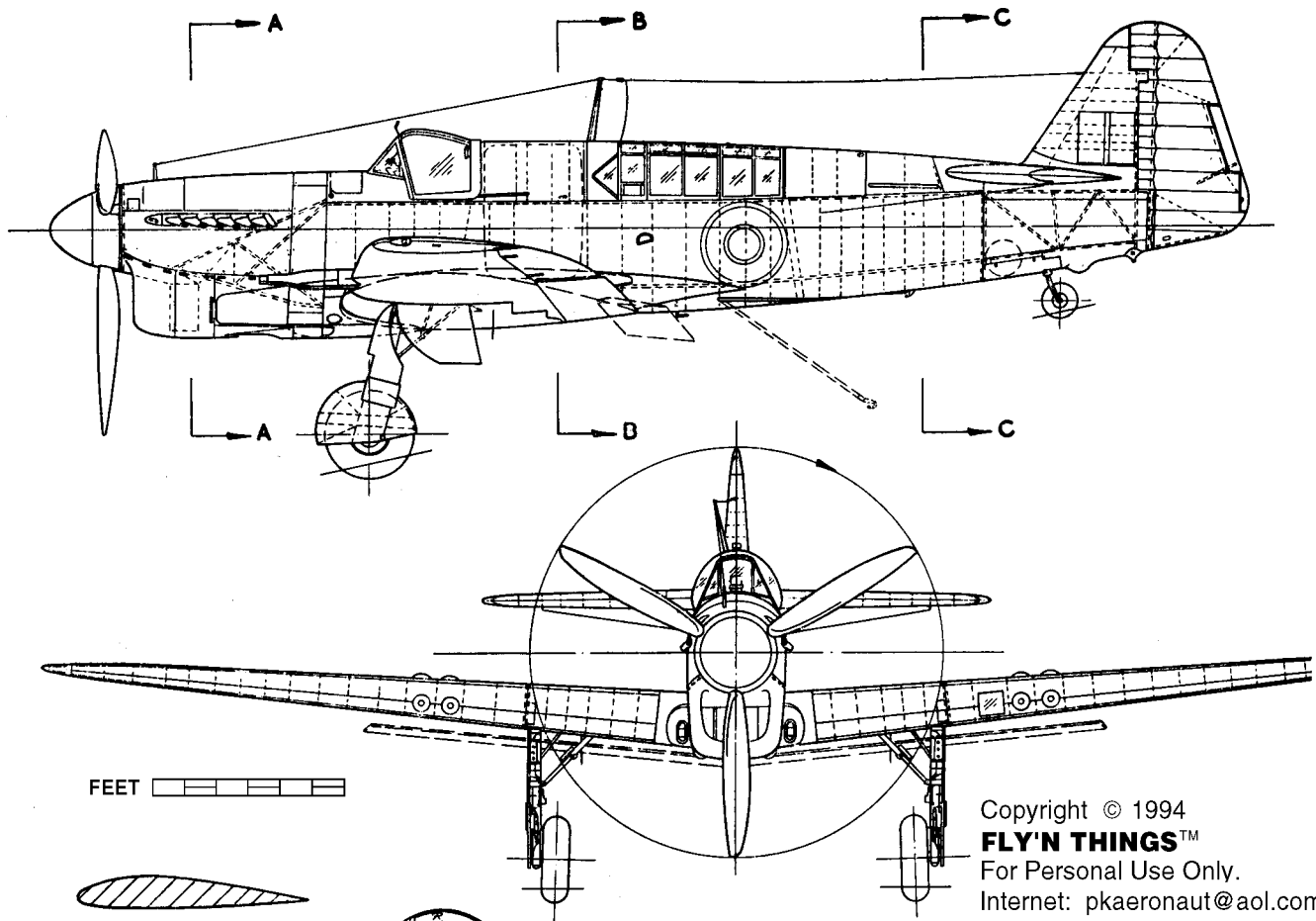
Copyright © 1994
FLY'N THINGS™
 For Personal Use Only.
 Internet: pkaeronaut@aol.com



Copyright © 1994
FLY'N THINGS™
 For Personal Use Only.
 Internet: pkaeronaut@aol.com

FEET

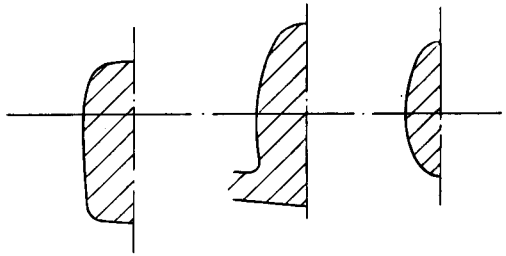
DOUGLAS SBD-3 Dauntless III



FEET



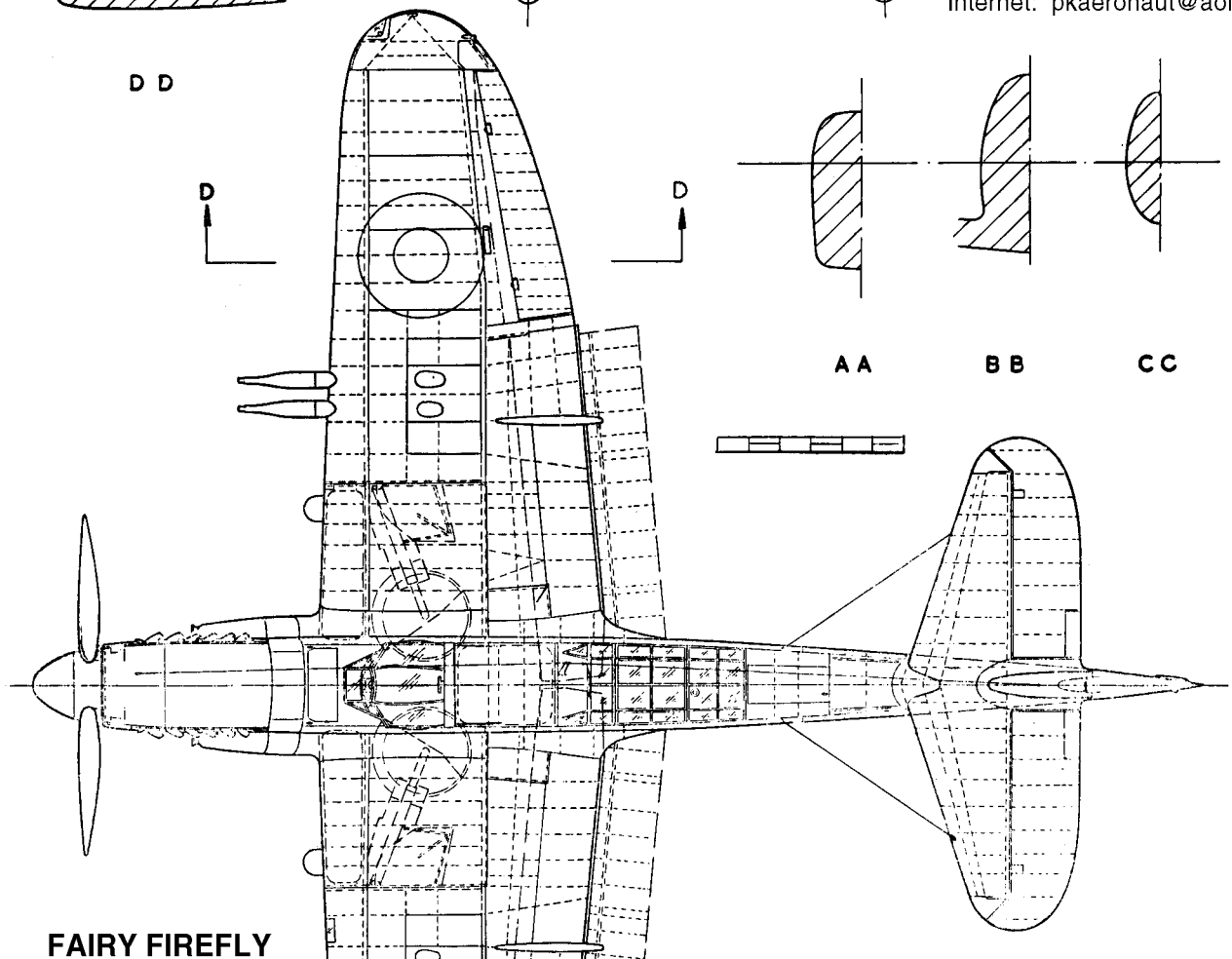
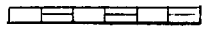
D D



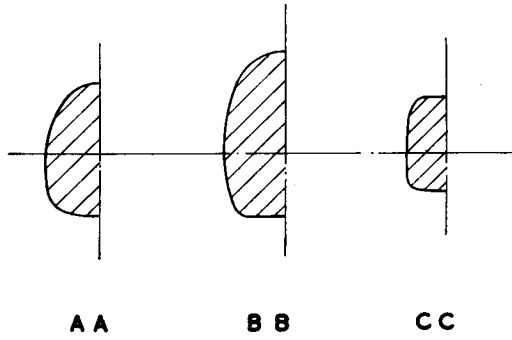
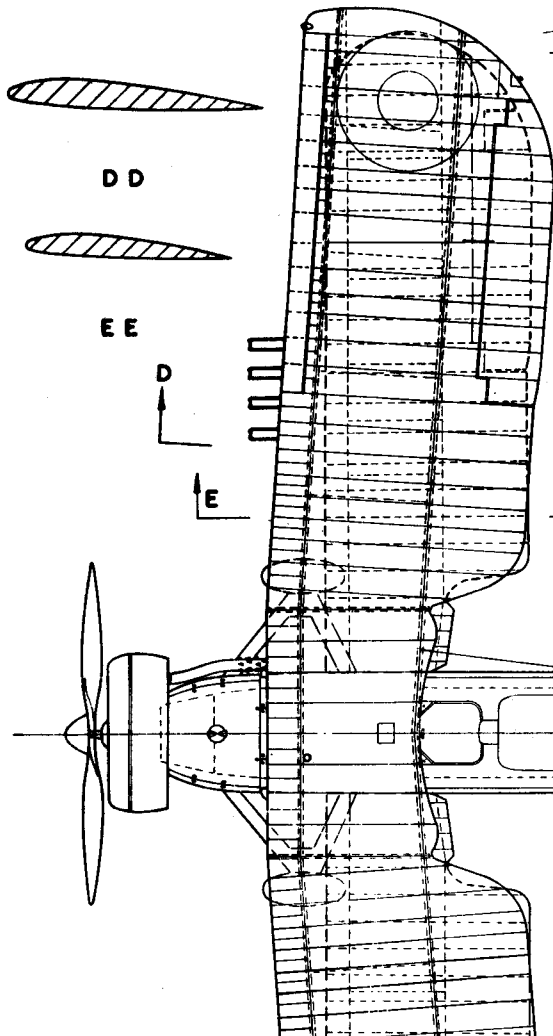
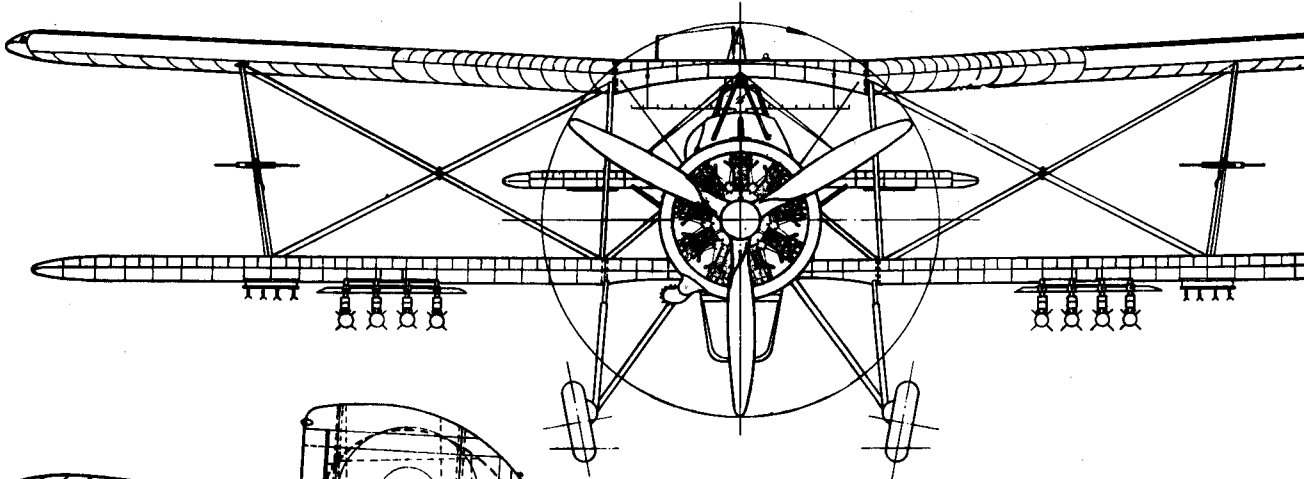
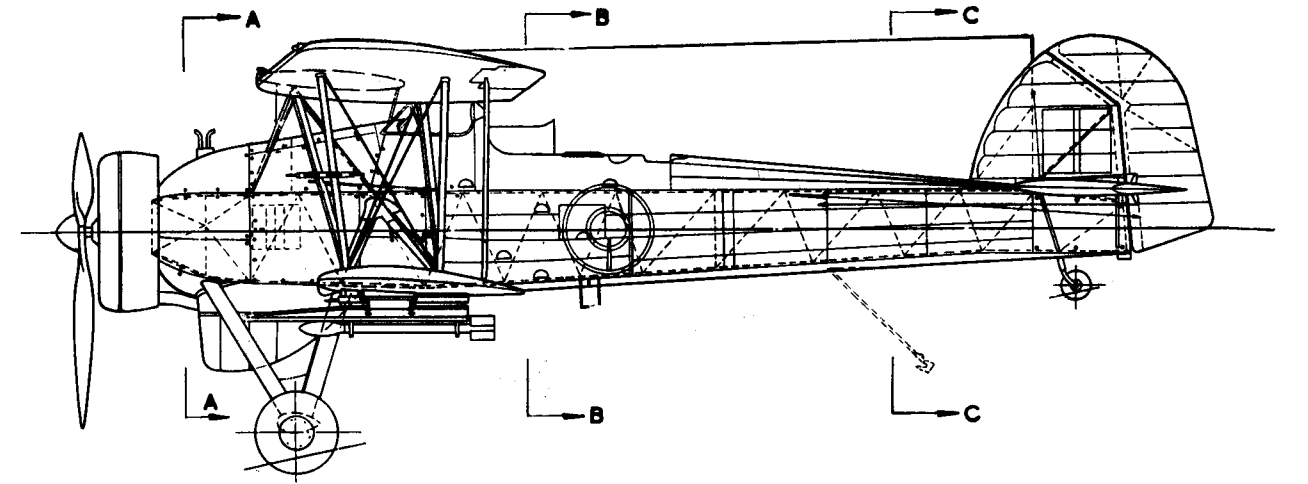
AA

BB

CC



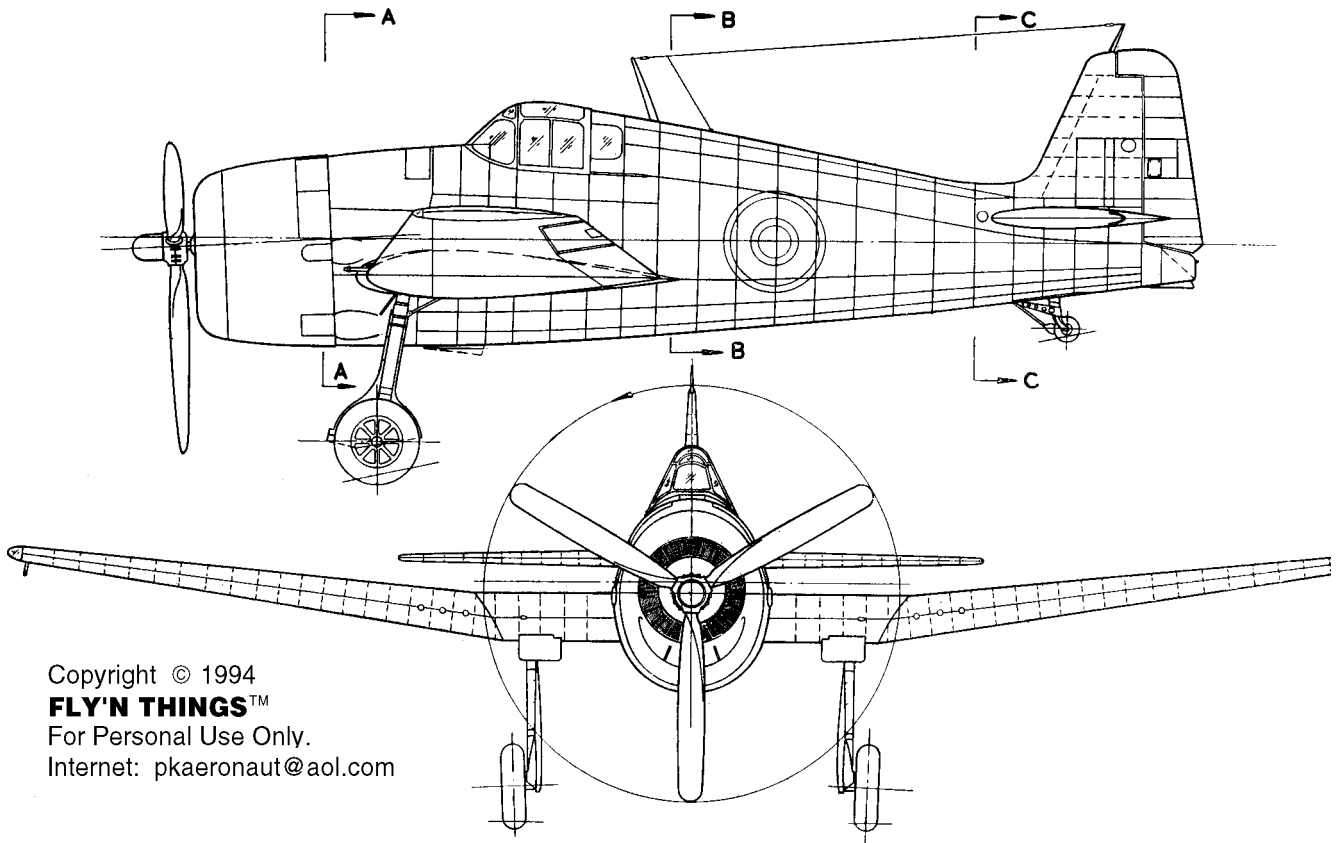
FAIRY FIREFLY



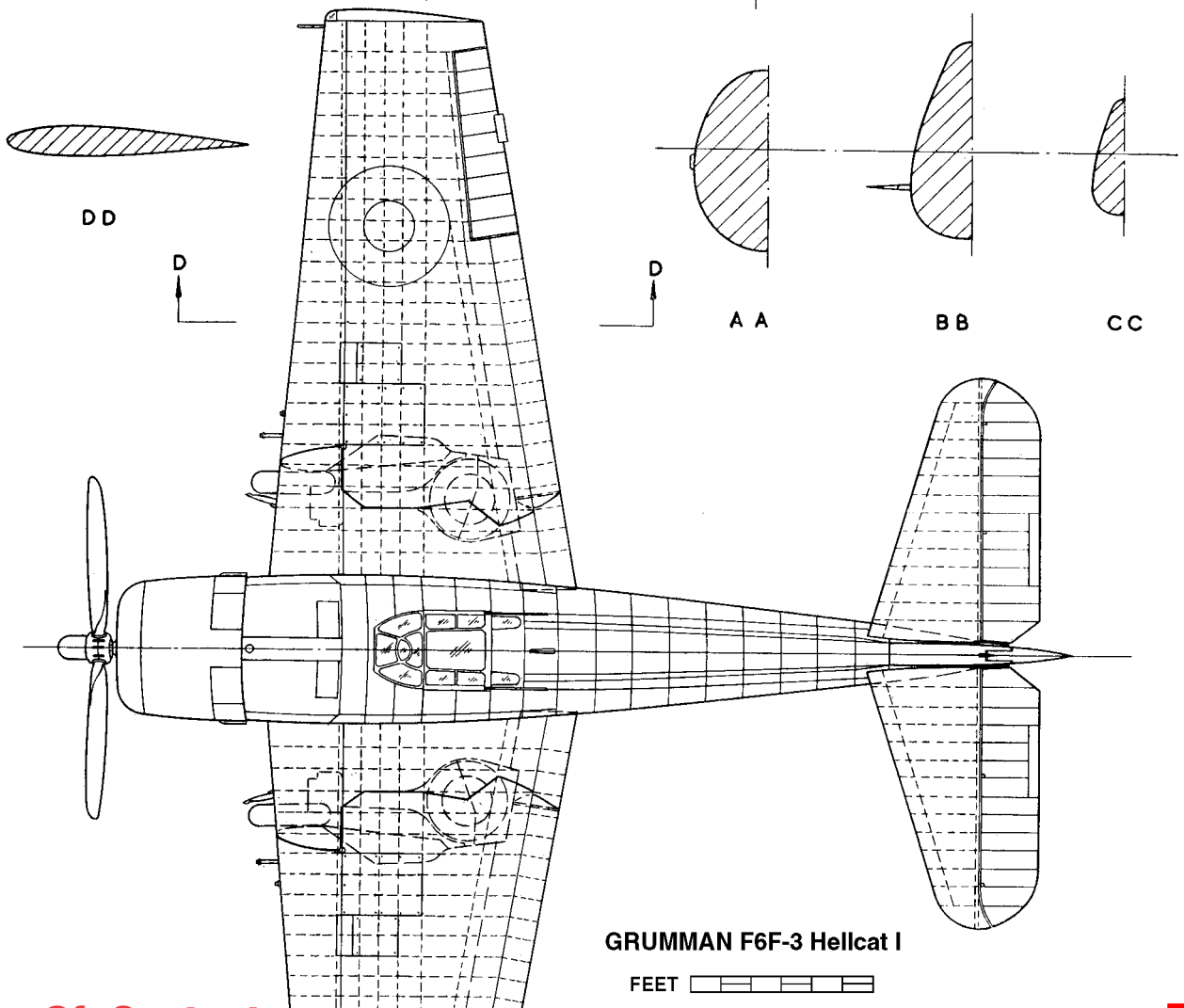
Copyright © 1994
FLY'N THINGS™
 For Personal Use Only.
 Internet: pkaeronaut@aol.com

FAIRY SWORDFISH III

FEET

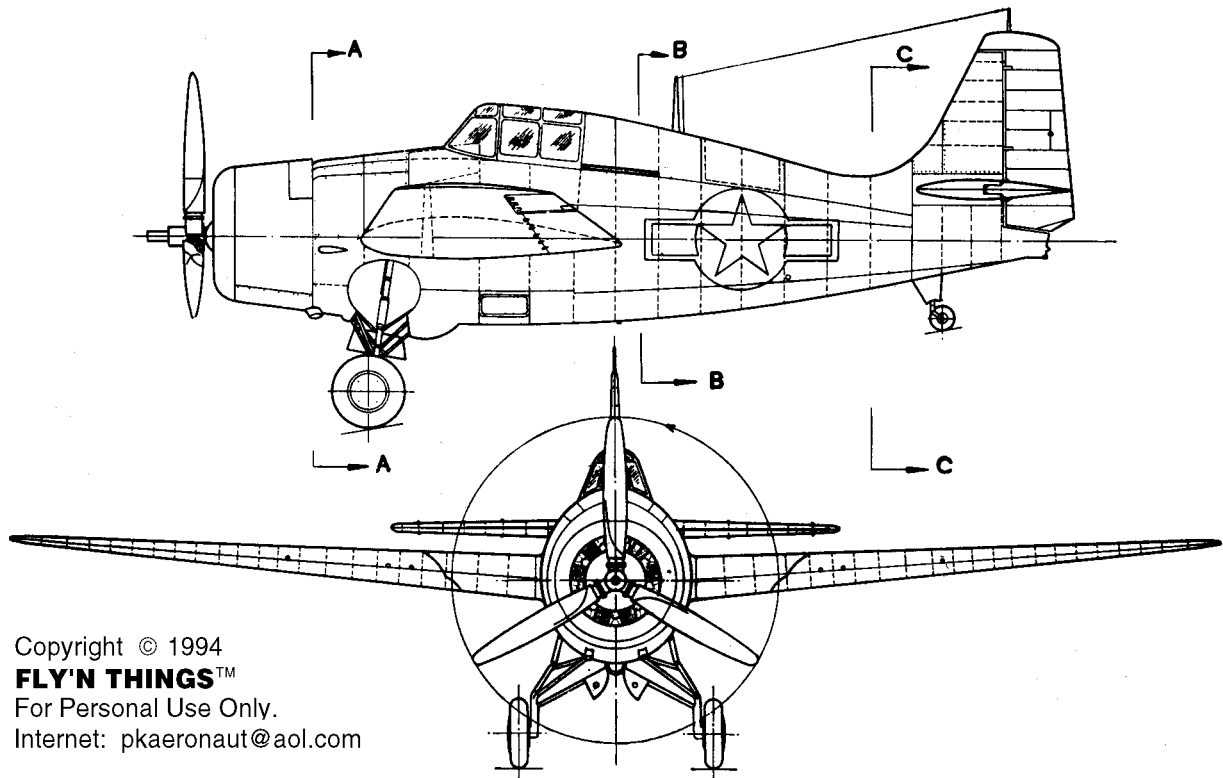


Copyright © 1994
FLY'N THINGS™
 For Personal Use Only.
 Internet: pkaeronaut@aol.com

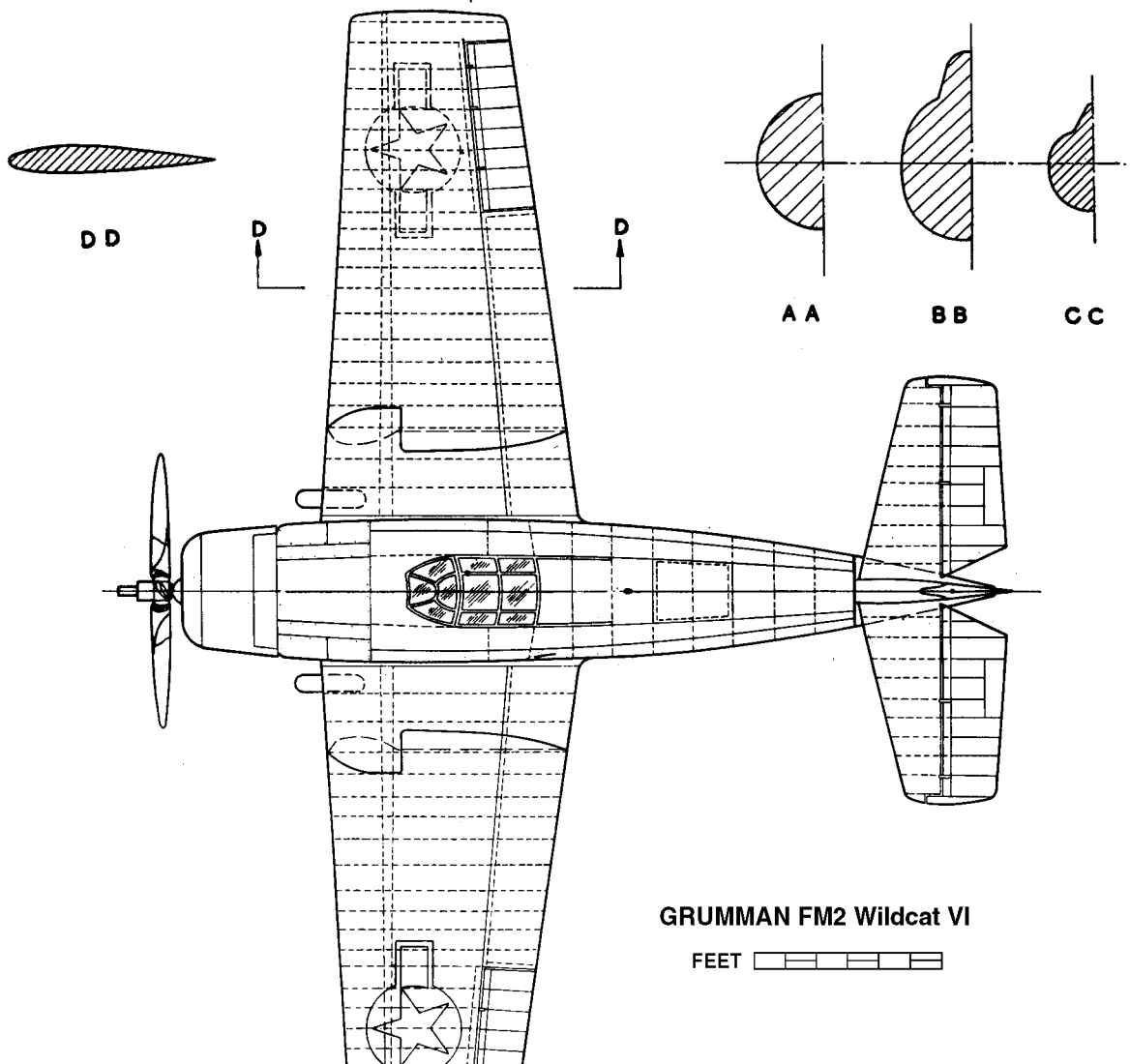


GRUMMAN F6F-3 Hellcat I

FEET

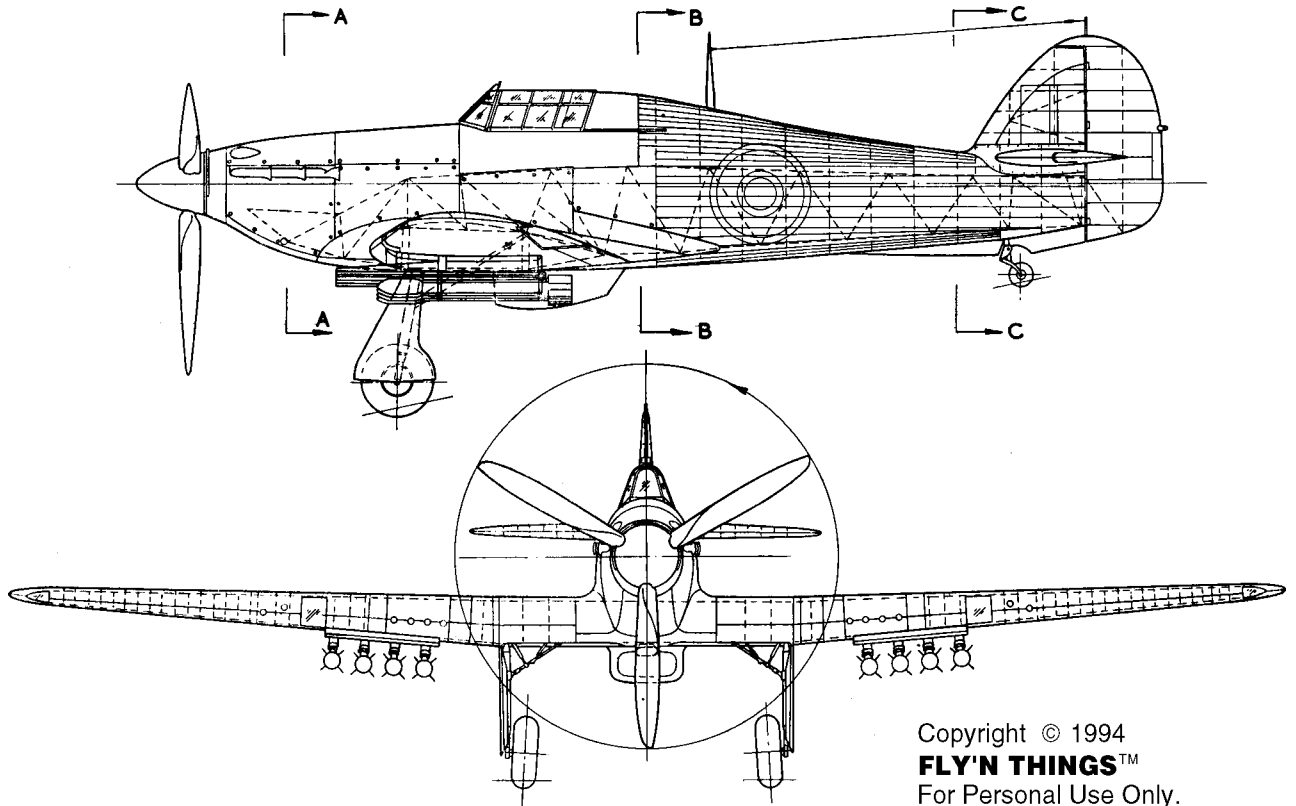


Copyright © 1994
FLY'N THINGS™
 For Personal Use Only.
 Internet: pkaeronaut@aol.com

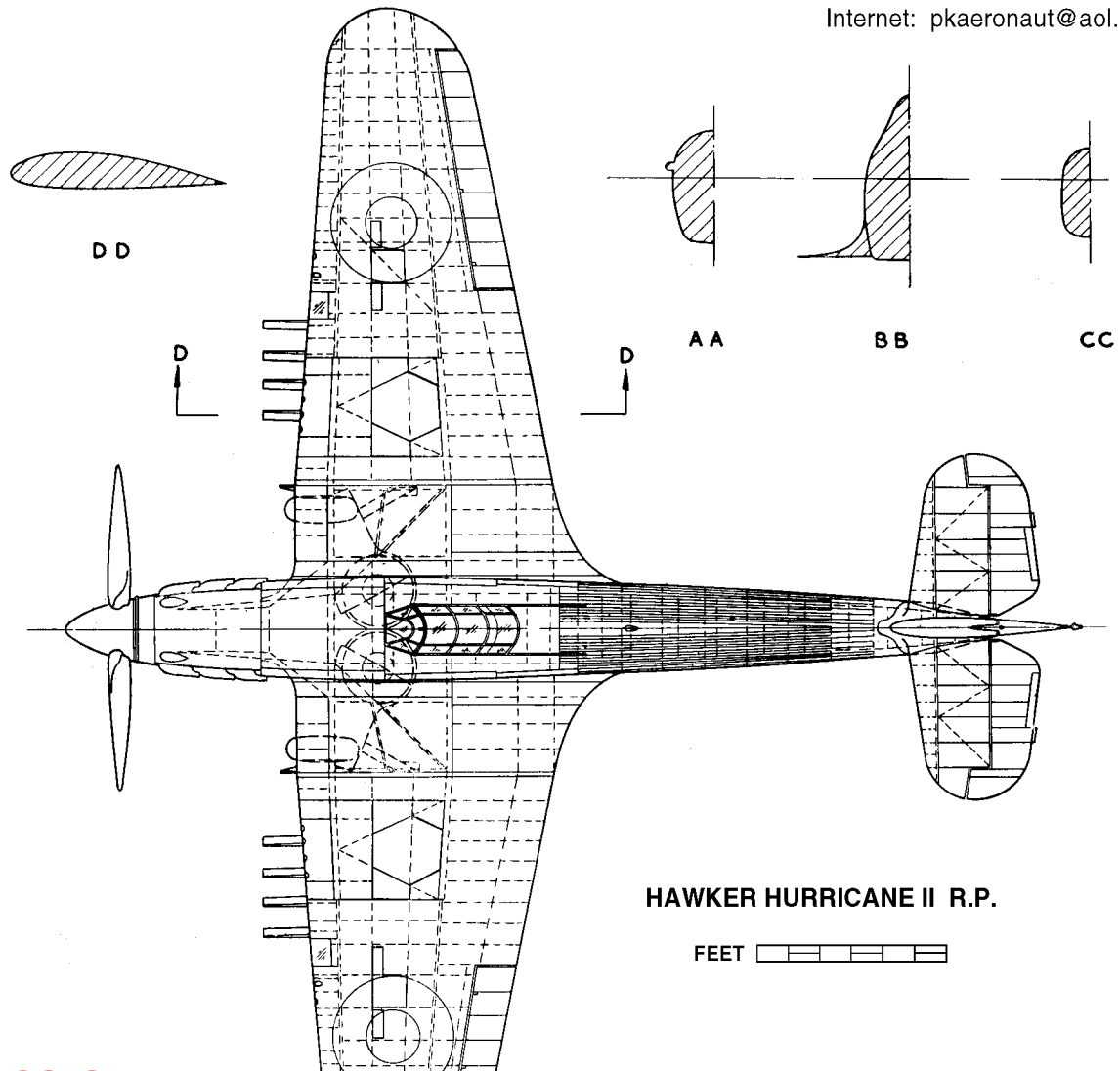


GRUMMAN FM2 Wildcat VI

FEET

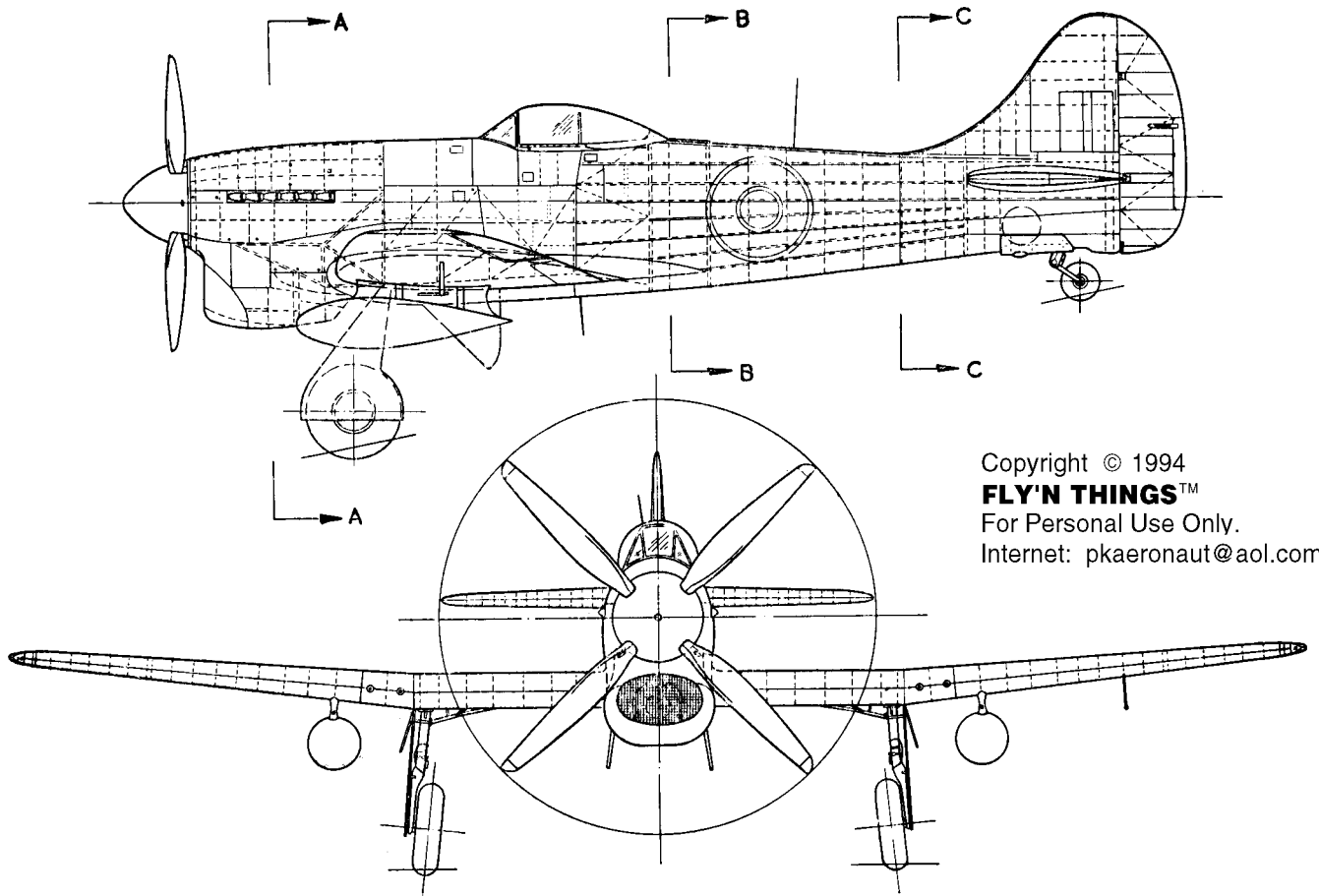


Copyright © 1994
FLY'N THINGS™
 For Personal Use Only.
 Internet: pkaeronaut@aol.com

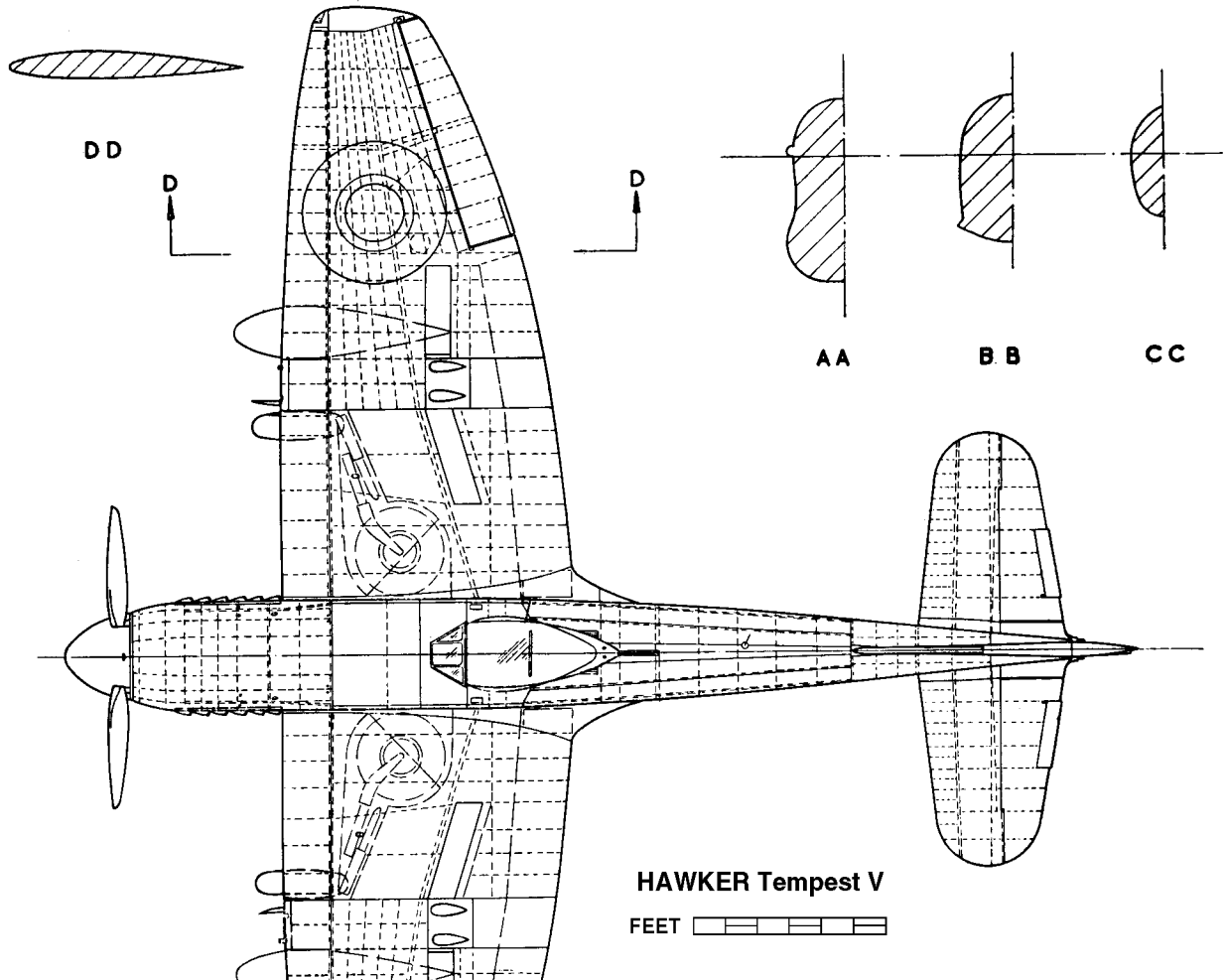


HAWKER HURRICANE II R.P.

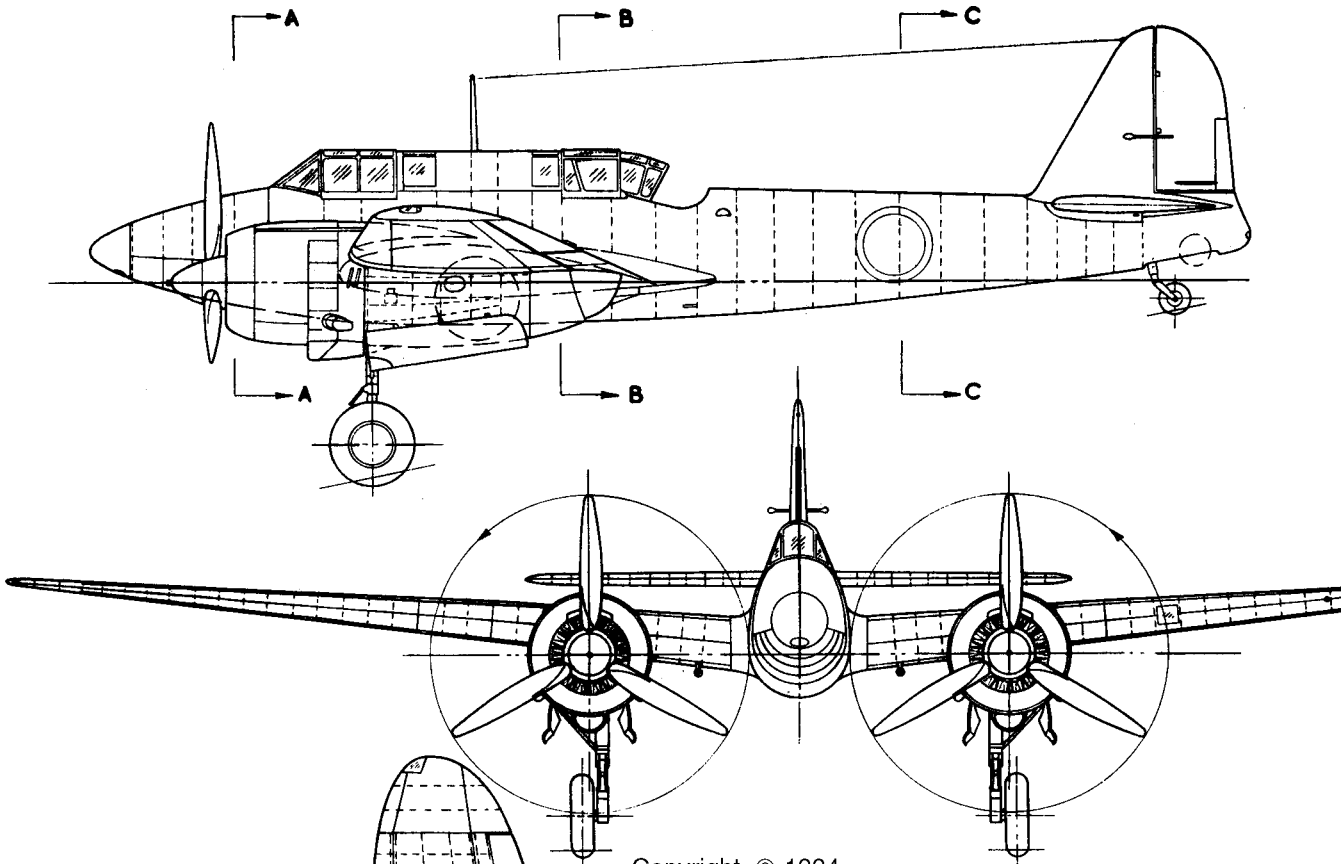
FEET



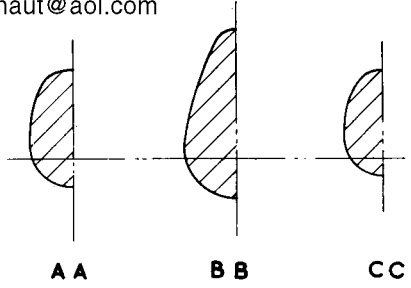
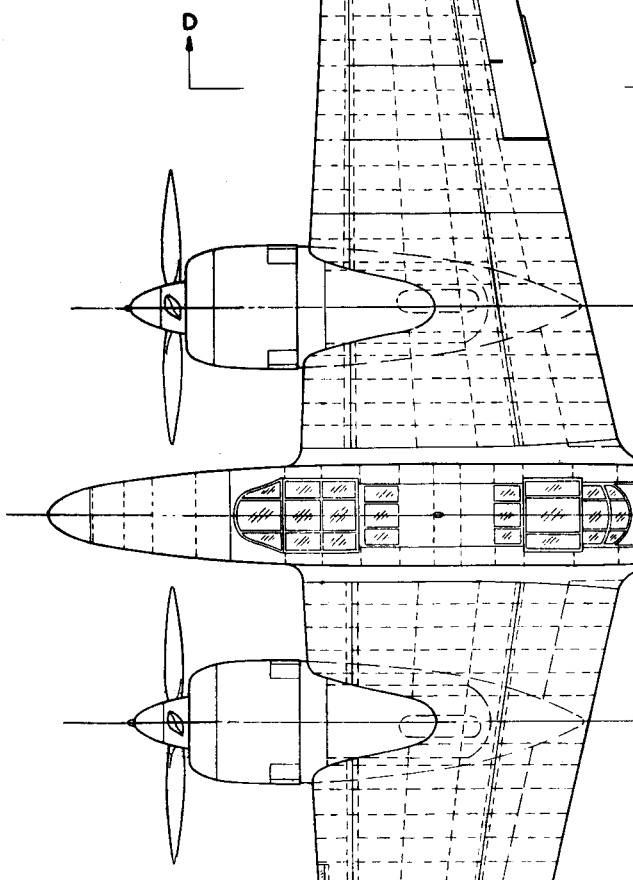
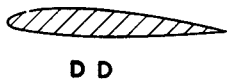
Copyright © 1994
FLY'N THINGS™
 For Personal Use Only.
 Internet: pkaeronaut@aol.com



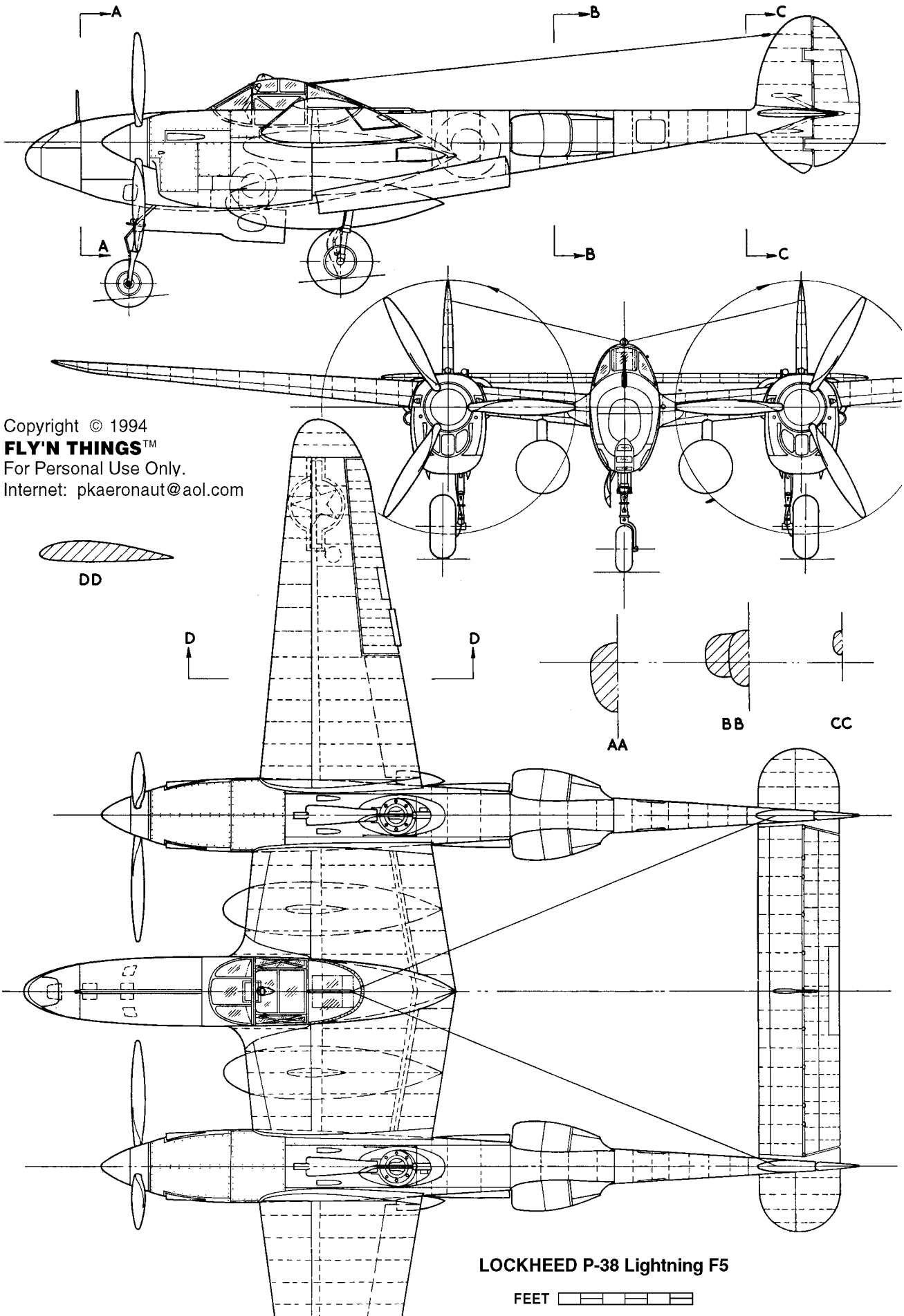
HAWKER Tempest V
 FEET



Copyright © 1994
FLY'N THINGS™
 For Personal Use Only.
 Internet: pkaeronaut@aol.com



KAWASAKI Nick I
 FEET

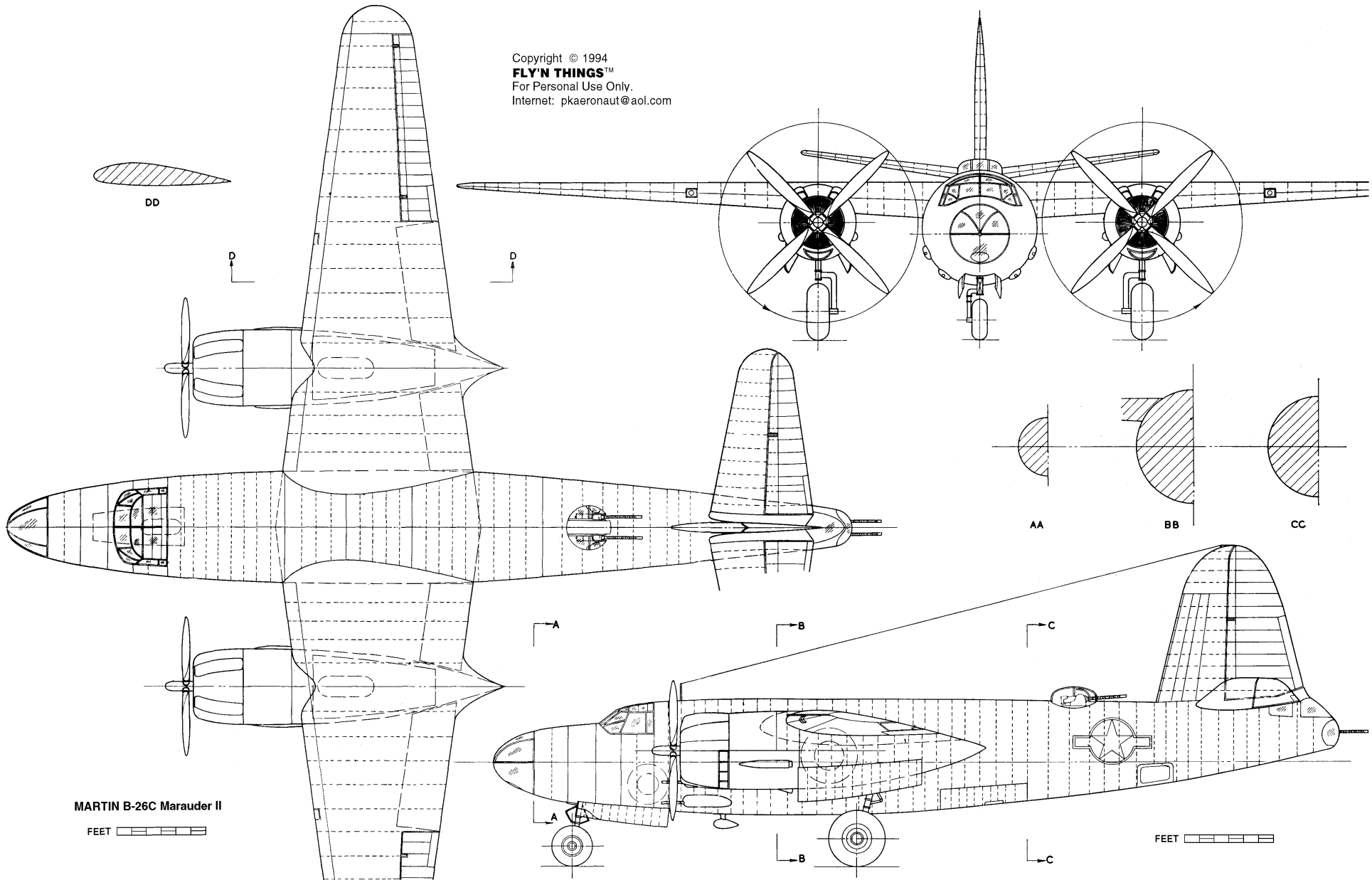


Copyright © 1994
FLY'N THINGS™
 For Personal Use Only.
 Internet: pkaeronaut@aol.com

LOCKHEED P-38 Lightning F5

FEET

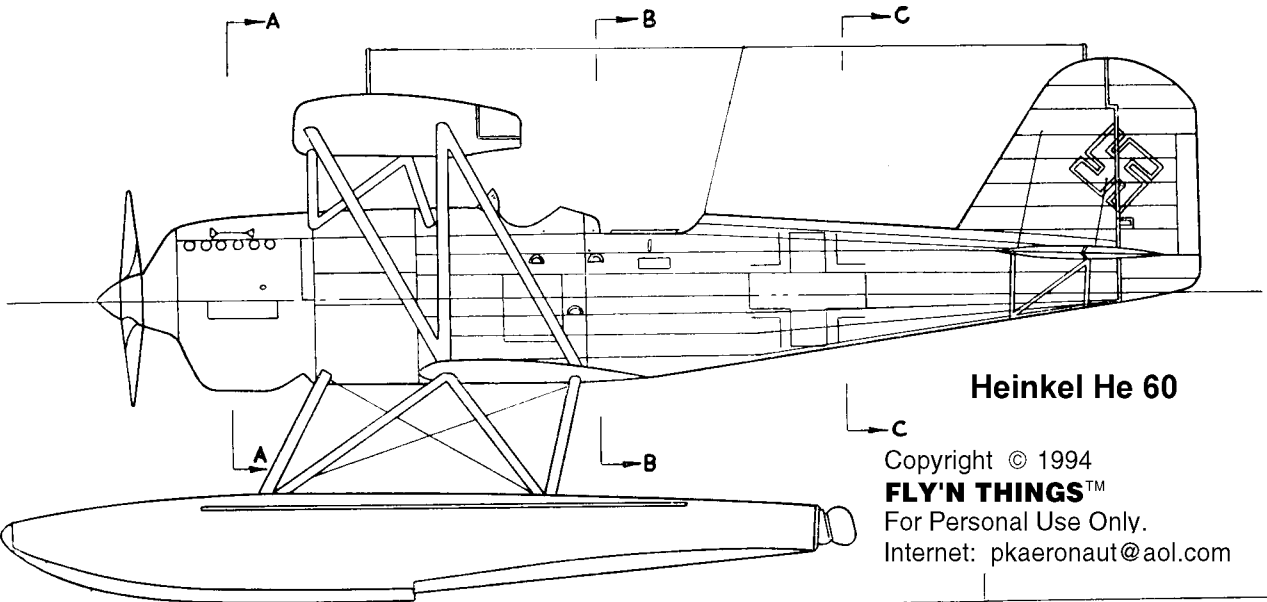
Copyright © 1994
FLY'N THINGS™
For Personal Use Only.
Internet: pkaeronaut@aol.com



MARTIN B-26C Marauder II

FEET

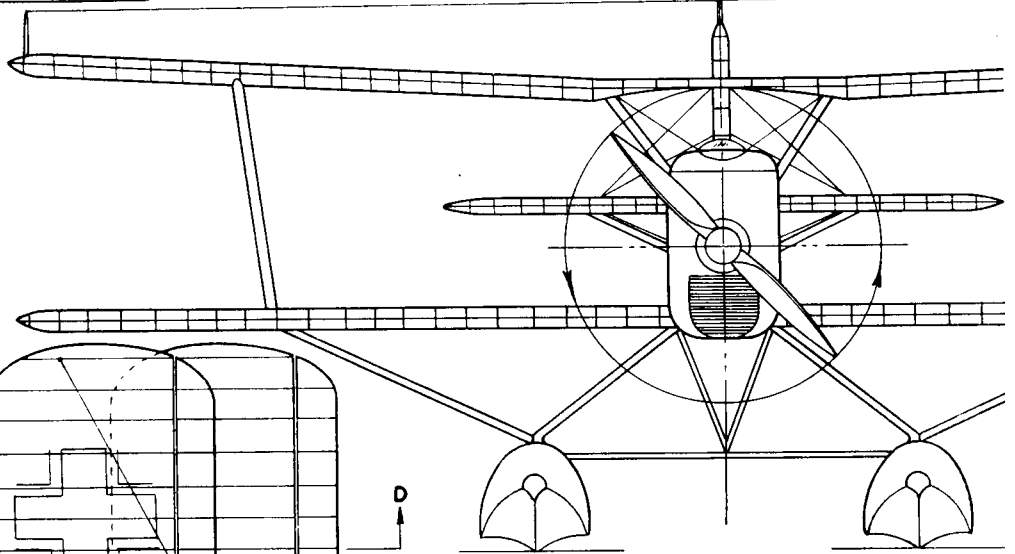
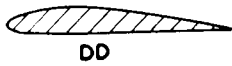
FEET



Heinkel He 60

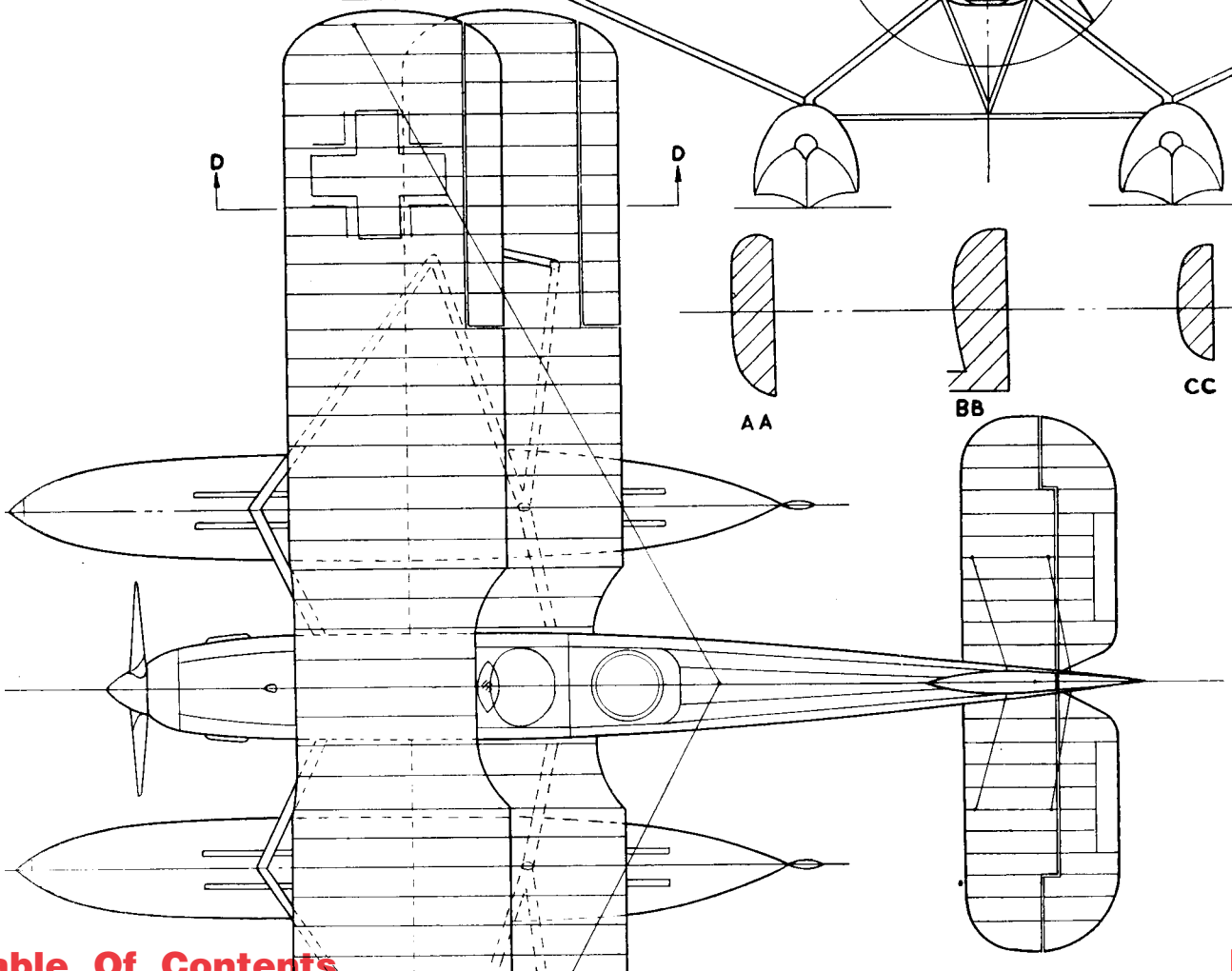
Copyright © 1994
FLY'N THINGS™
 For Personal Use Only.
 Internet: pkaeronaut@aol.com

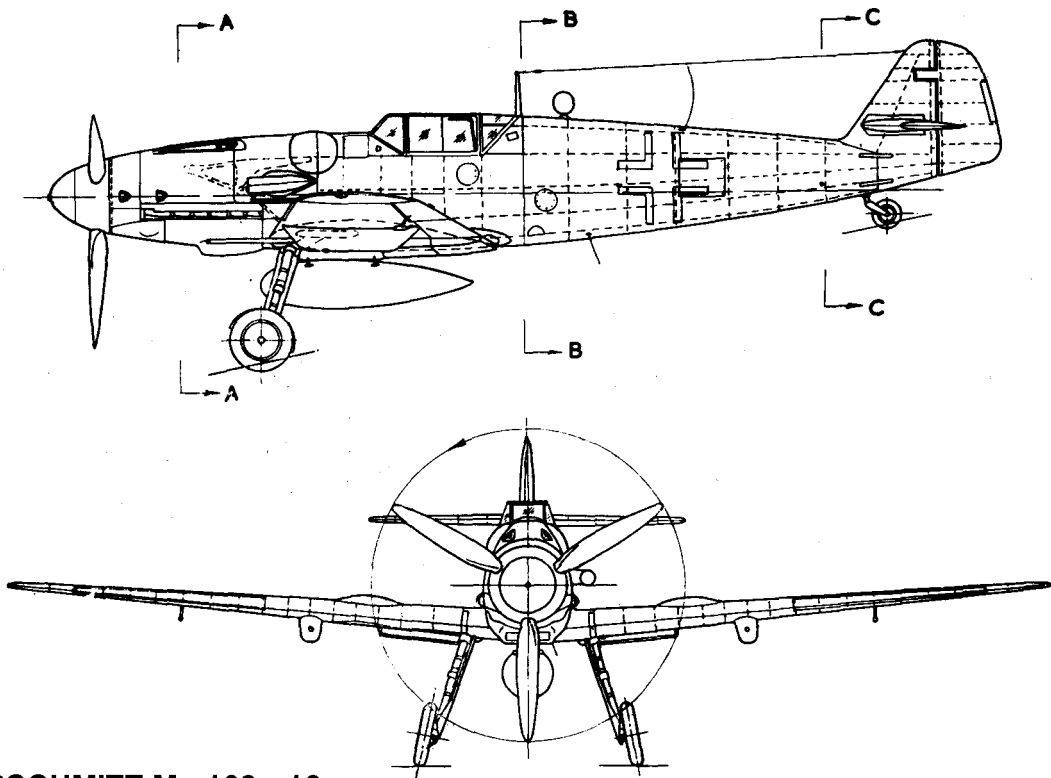
FT.



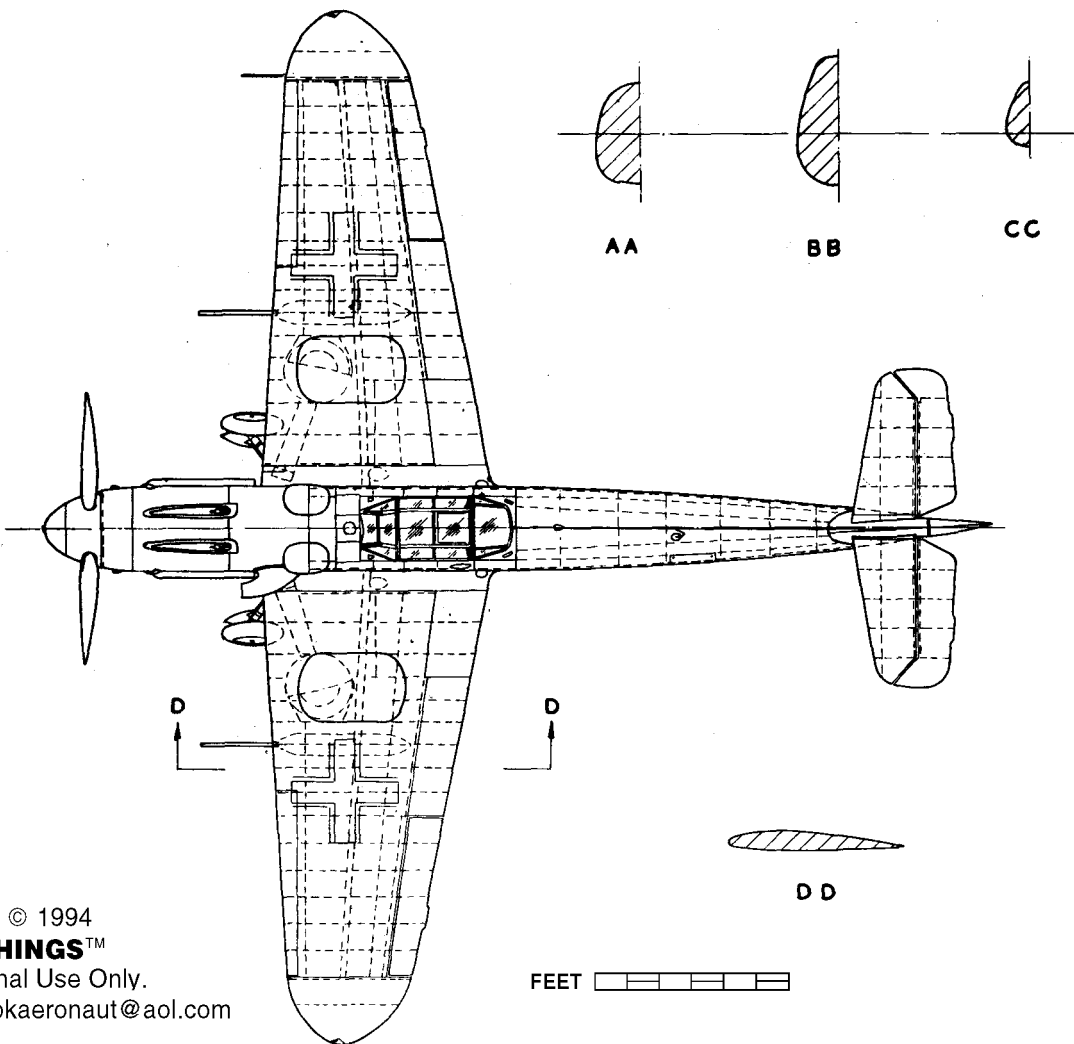
D

D

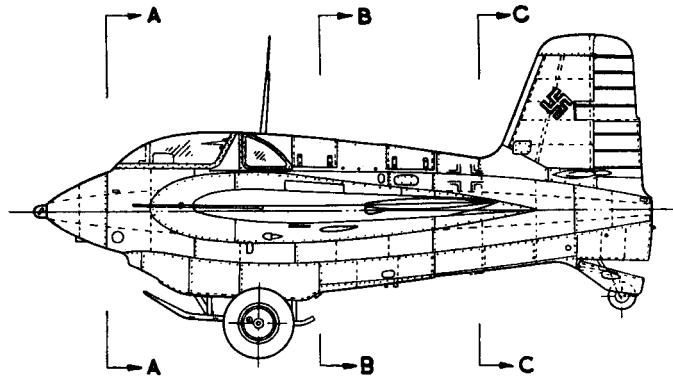




MESSERSCHMITT Me-109g-16

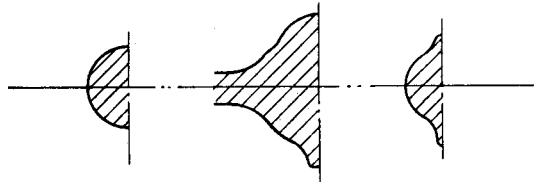
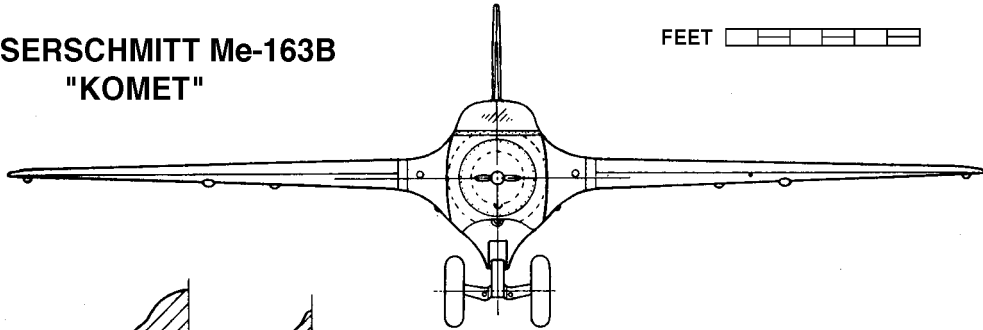


Copyright © 1994
FLY'N THINGS™
 For Personal Use Only.
 Internet: pkaeronaut@aol.com



MESSERSCHMITT Me-163B
"KOMET"

FEET



AA

BB

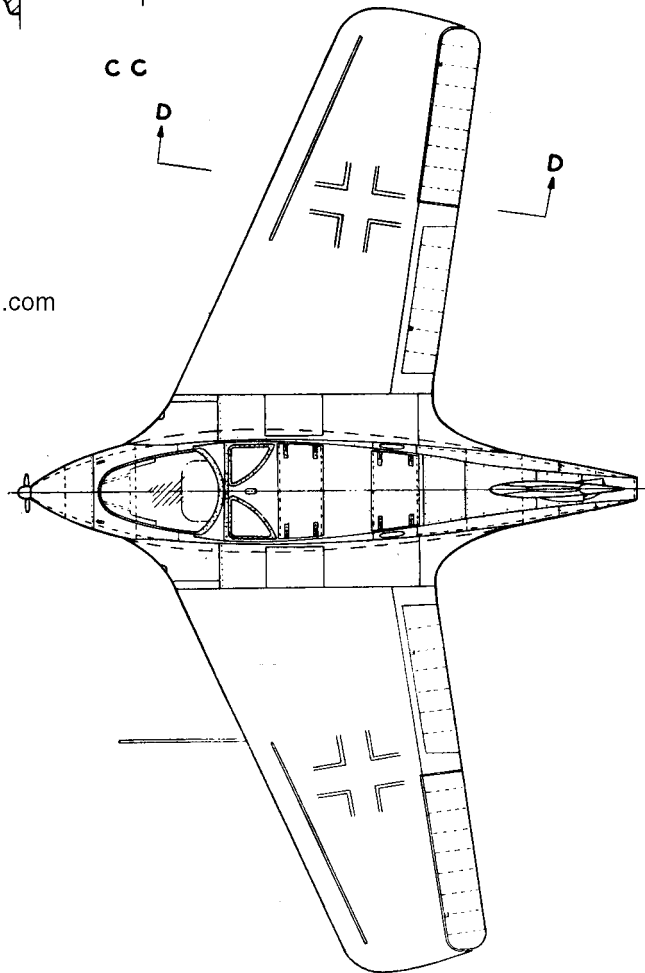
CC

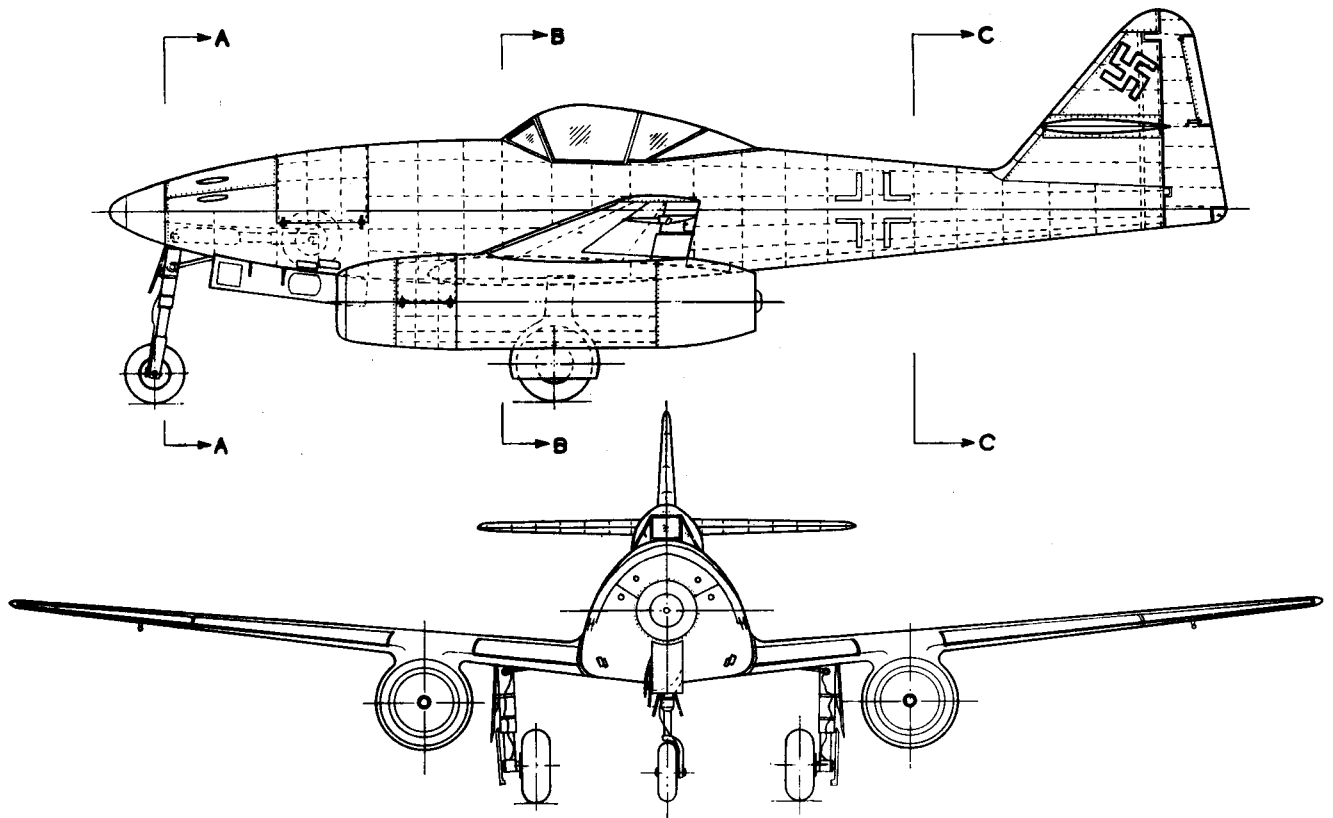


DD



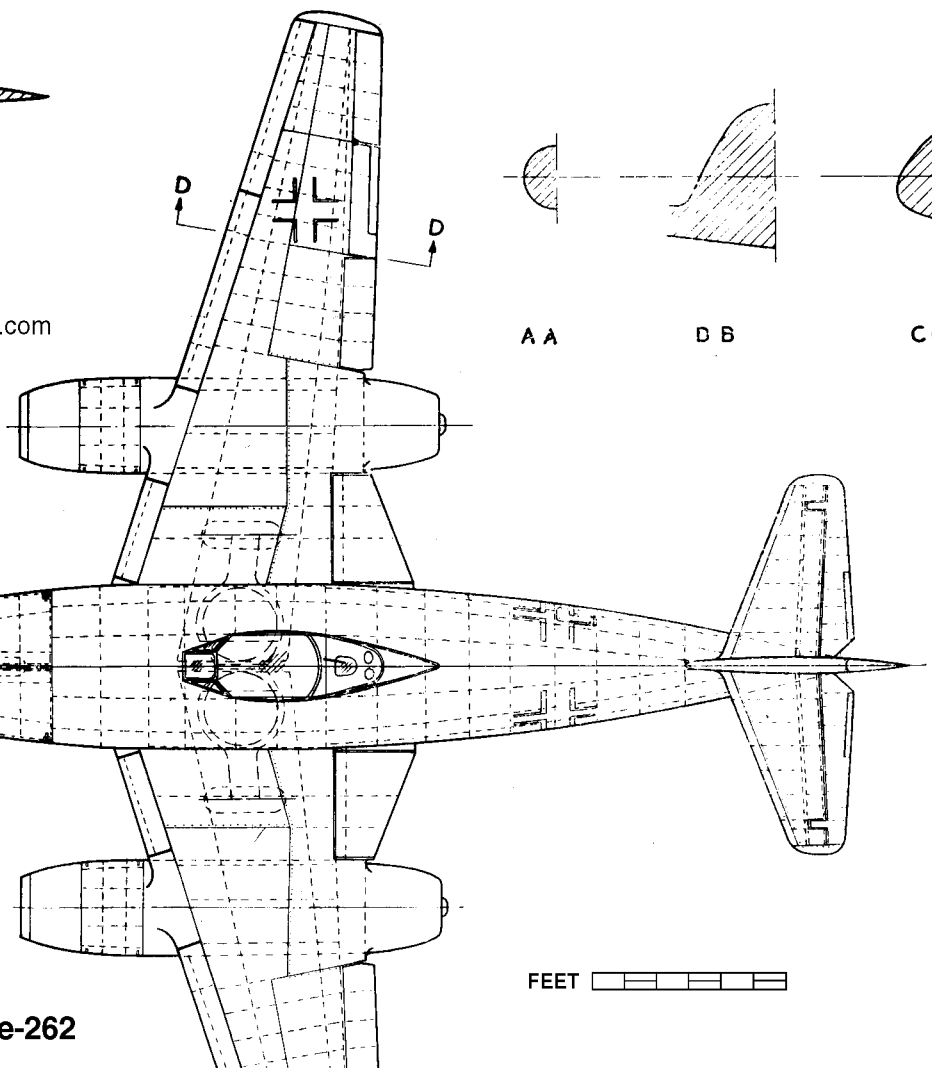
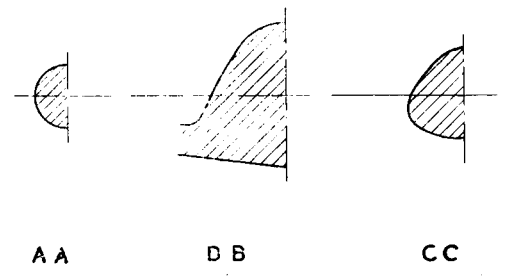
Copyright © 1994
FLY'N THINGS™
 For Personal Use Only.
 Internet: pkaeronaut@aol.com



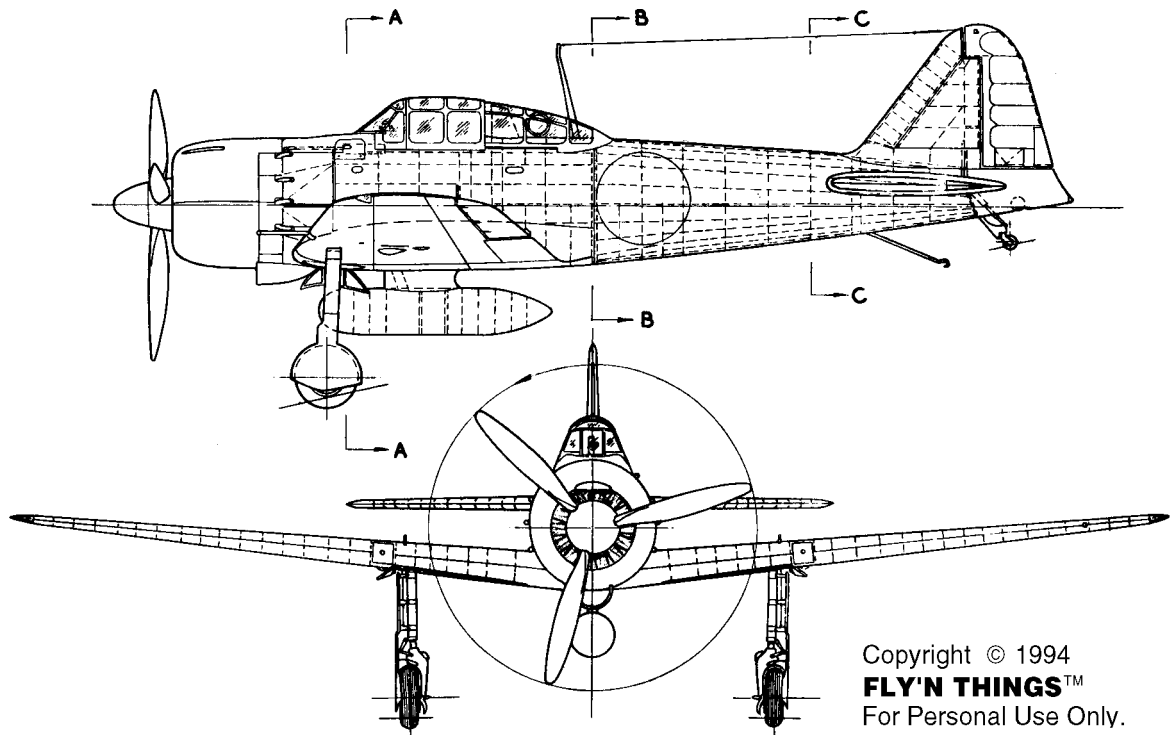


DD

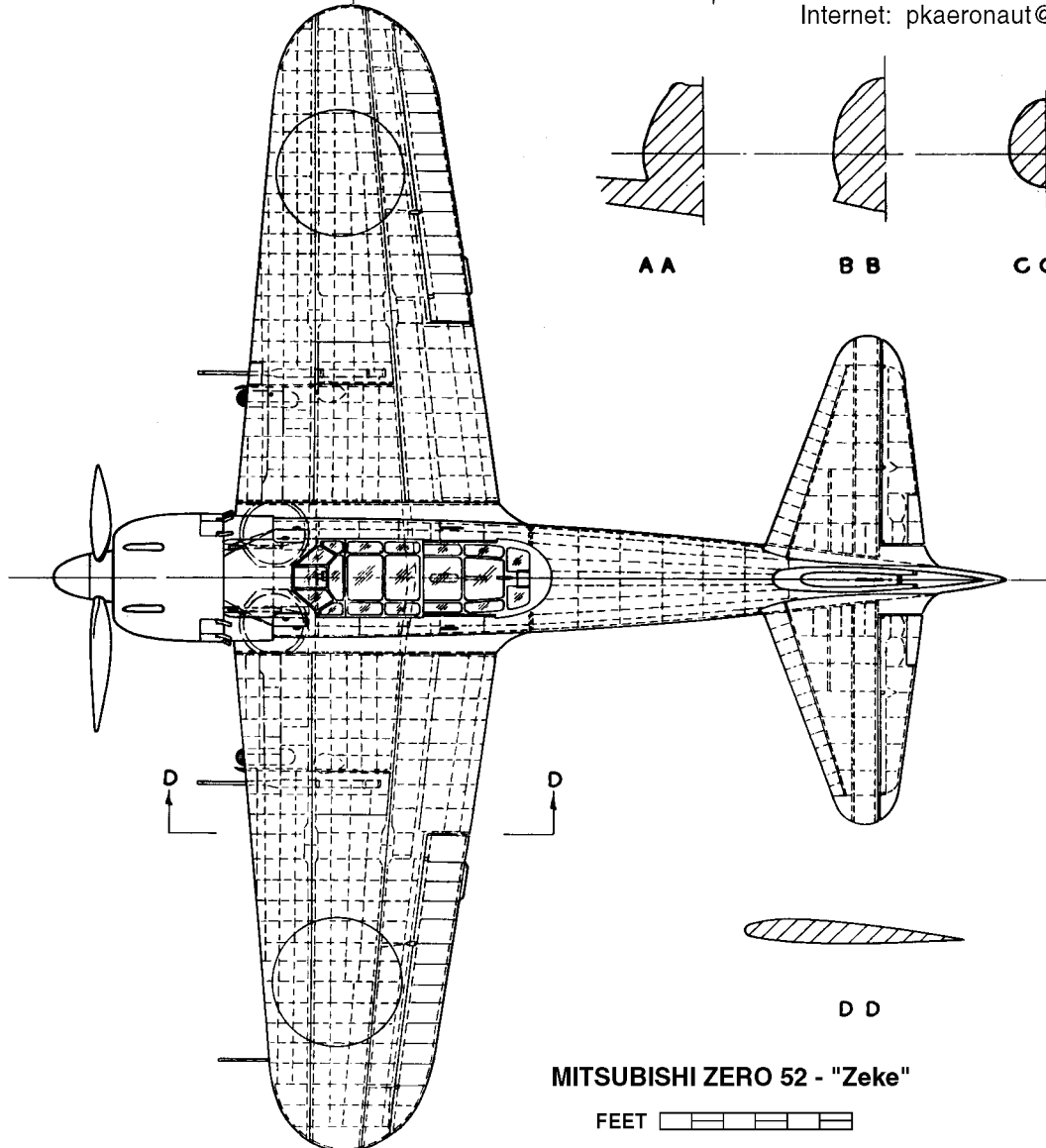
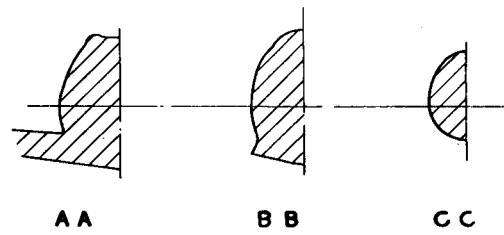
Copyright © 1994
FLY'N THINGS™
 For Personal Use Only.
 Internet: pkaeronaut@aol.com



MESSERSCHMITT Me-262

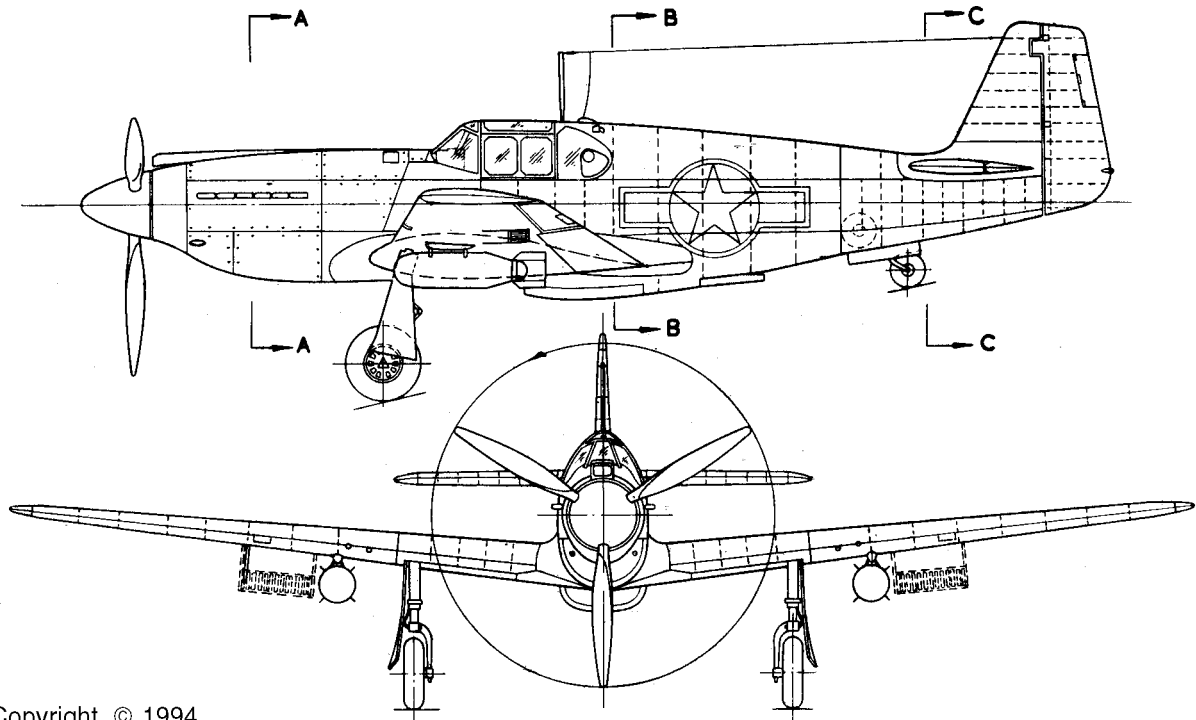


Copyright © 1994
FLY'N THINGS™
 For Personal Use Only.
 Internet: pkaeronaut@aol.com



MITSUBISHI ZERO 52 - "Zeke"

FEET



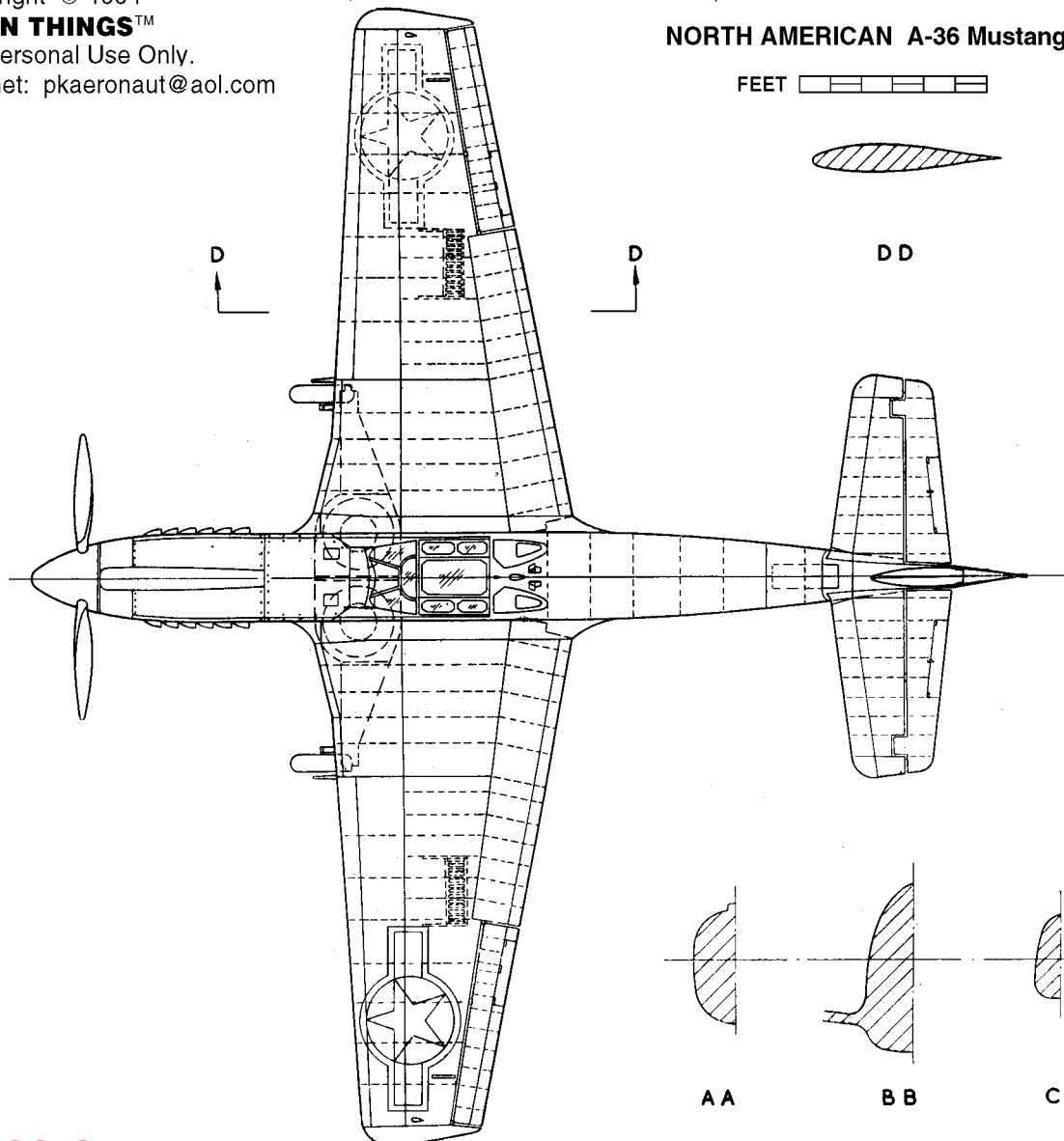
Copyright © 1994
FLY'N THINGS™
 For Personal Use Only.
 Internet: pkaeronaut@aol.com

NORTH AMERICAN A-36 Mustang

FEET



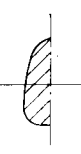
DD



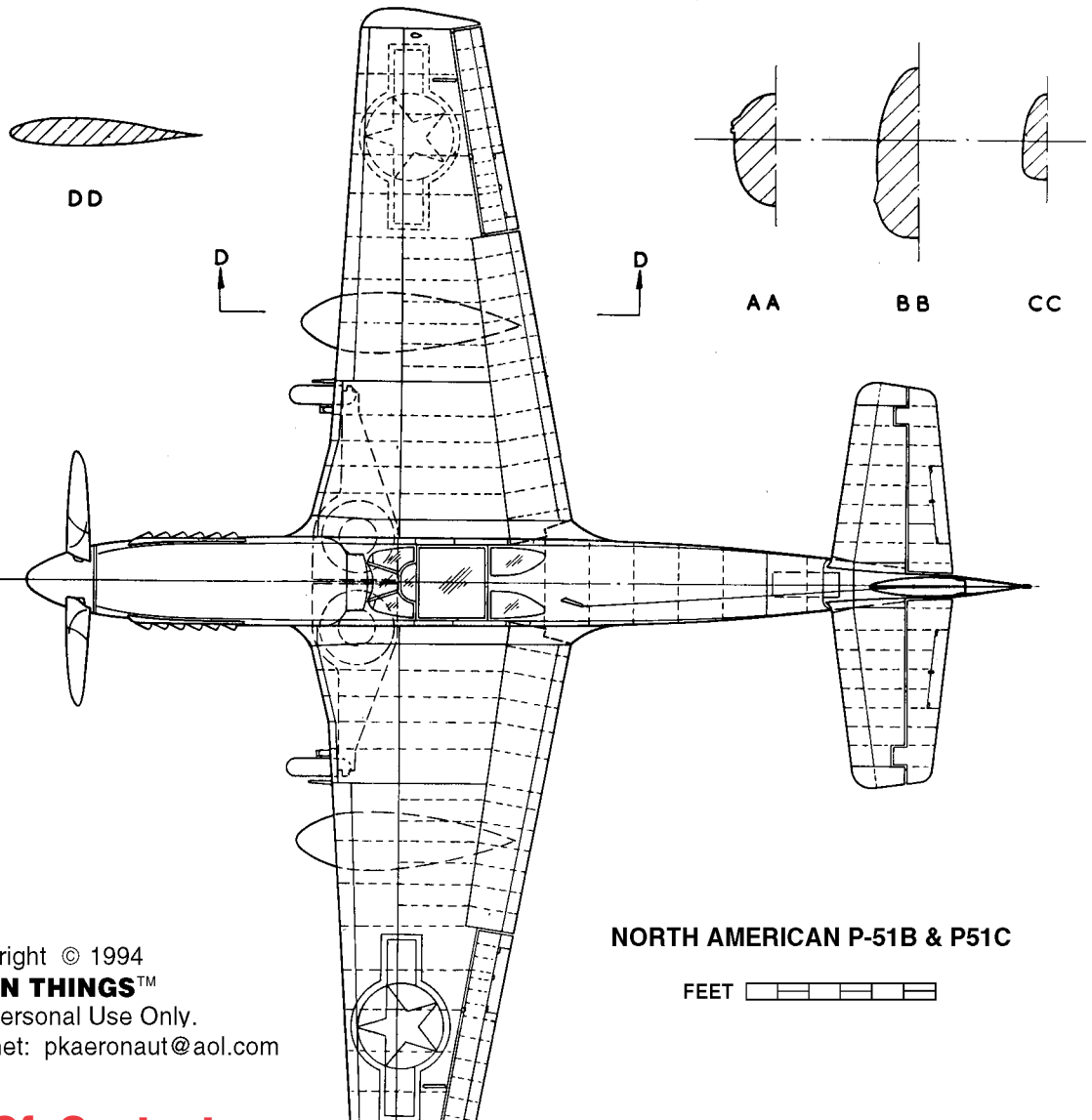
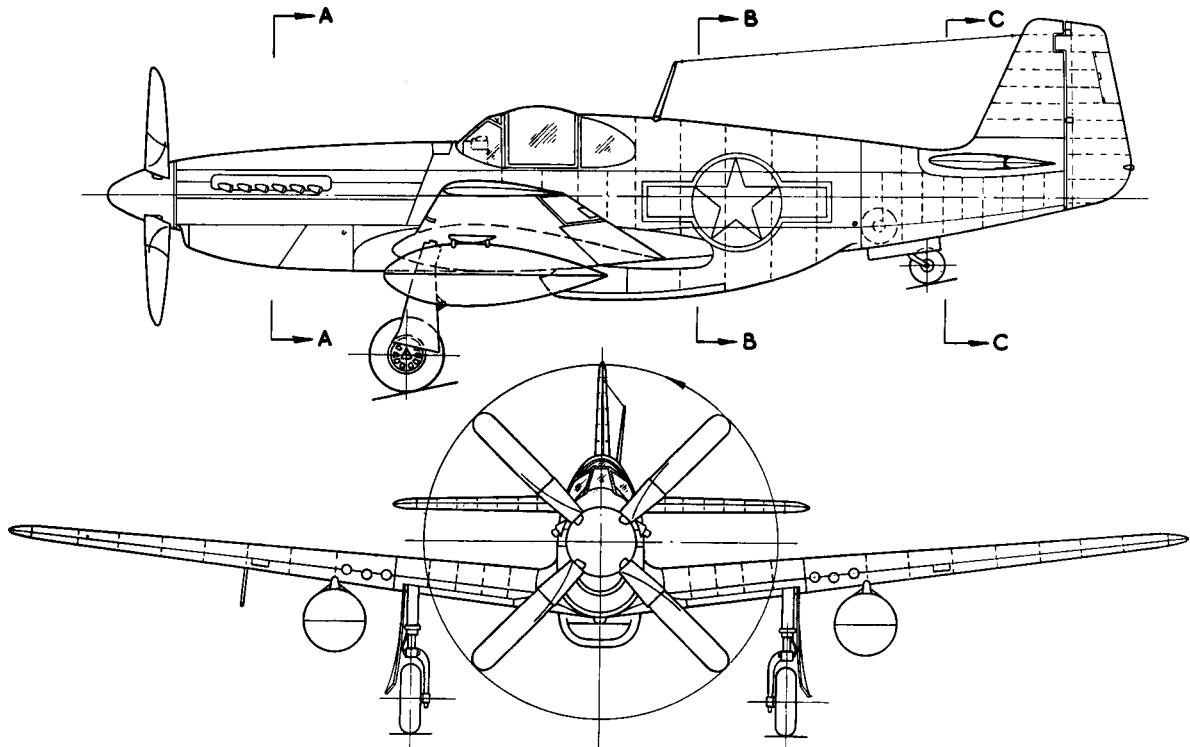
AA



BB



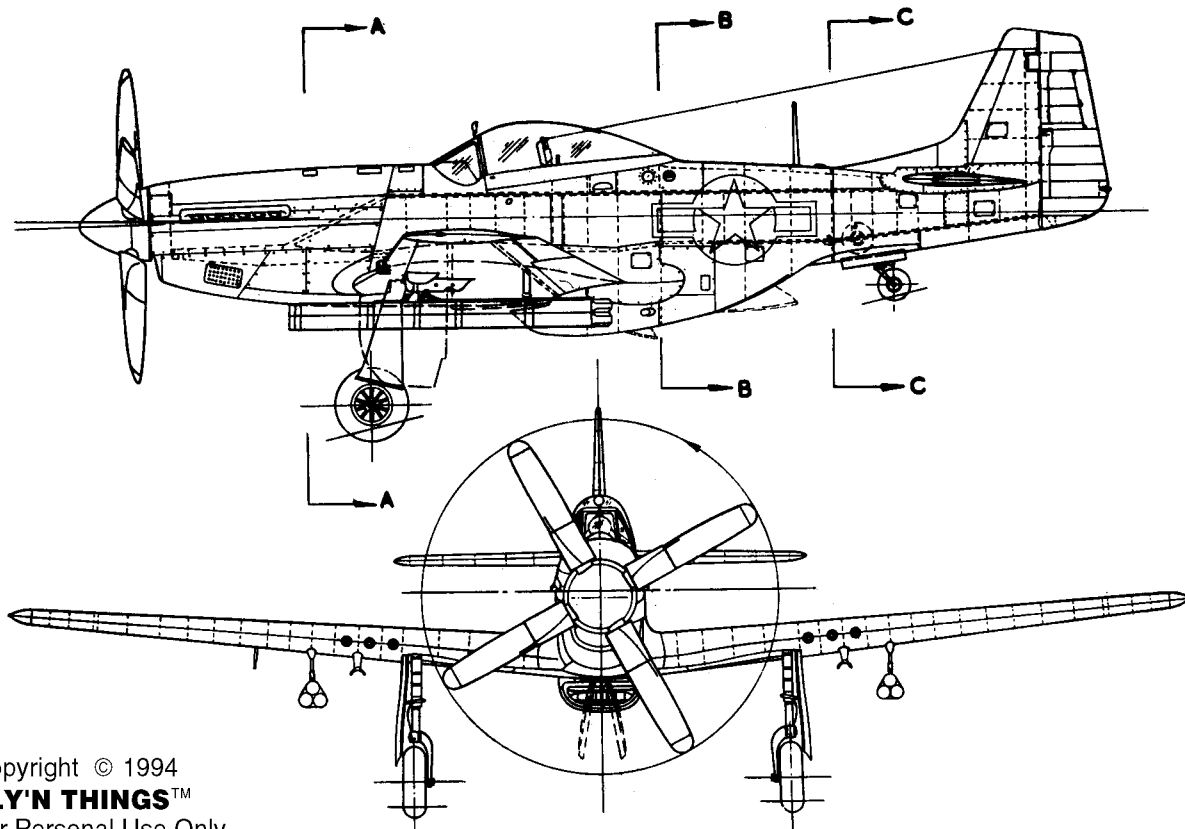
CC



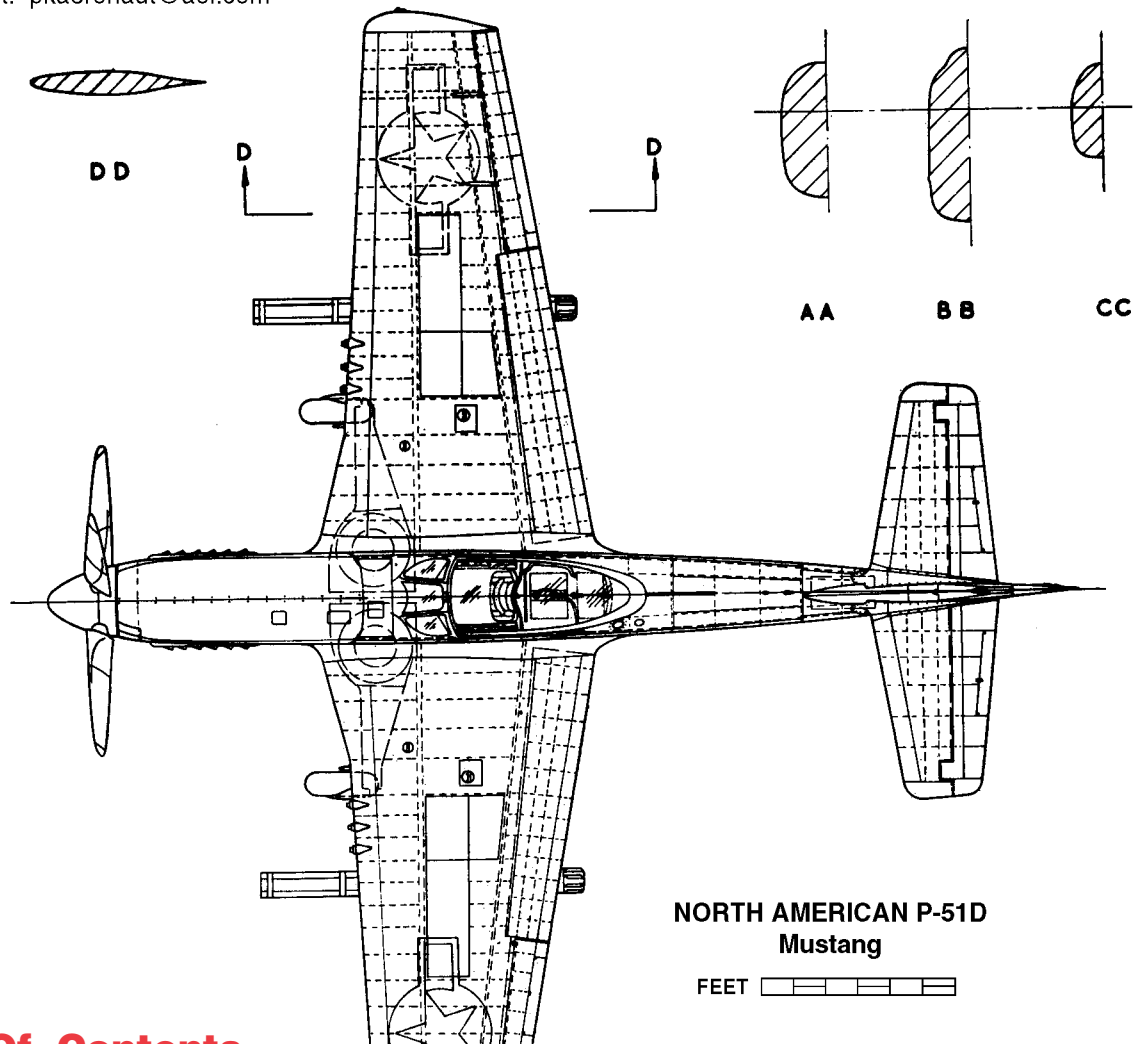
Copyright © 1994
FLY'N THINGS™
 For Personal Use Only.
 Internet: pkaeronaut@aol.com

NORTH AMERICAN P-51B & P51C

FEET

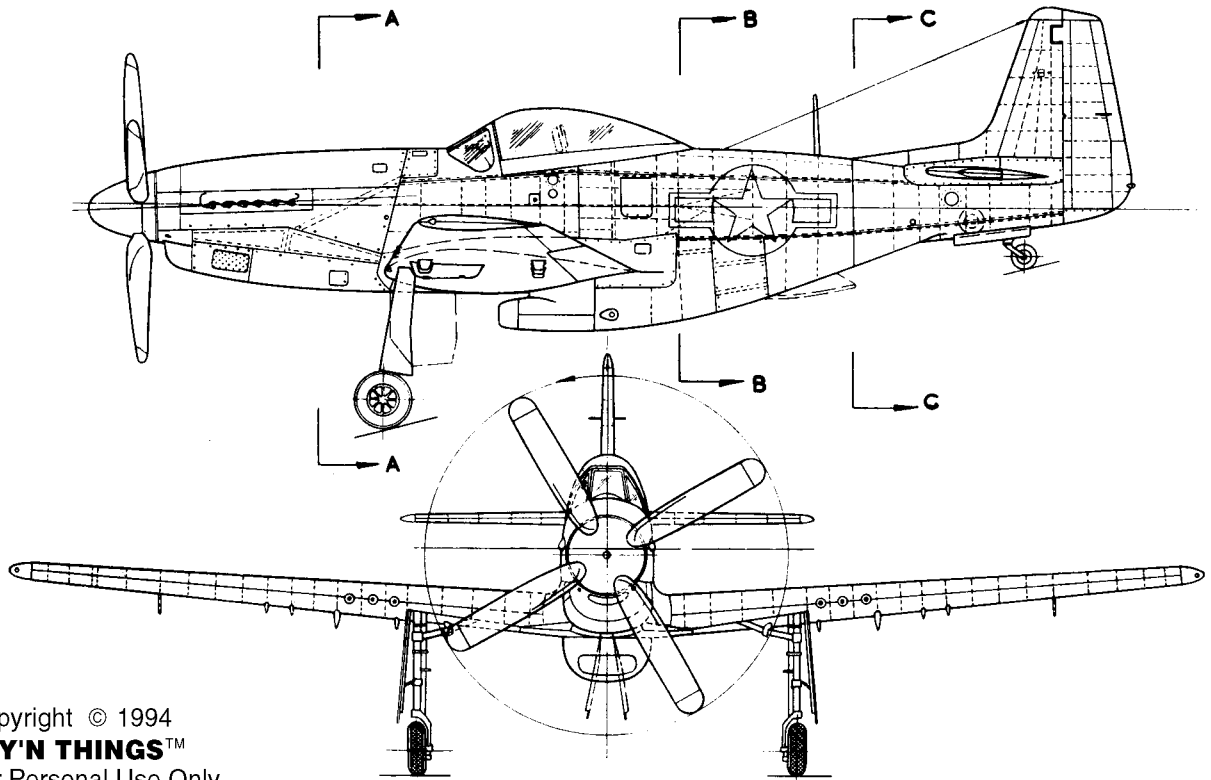


Copyright © 1994
FLY'N THINGS™
 For Personal Use Only.
 Internet: pkaeronaut@aol.com

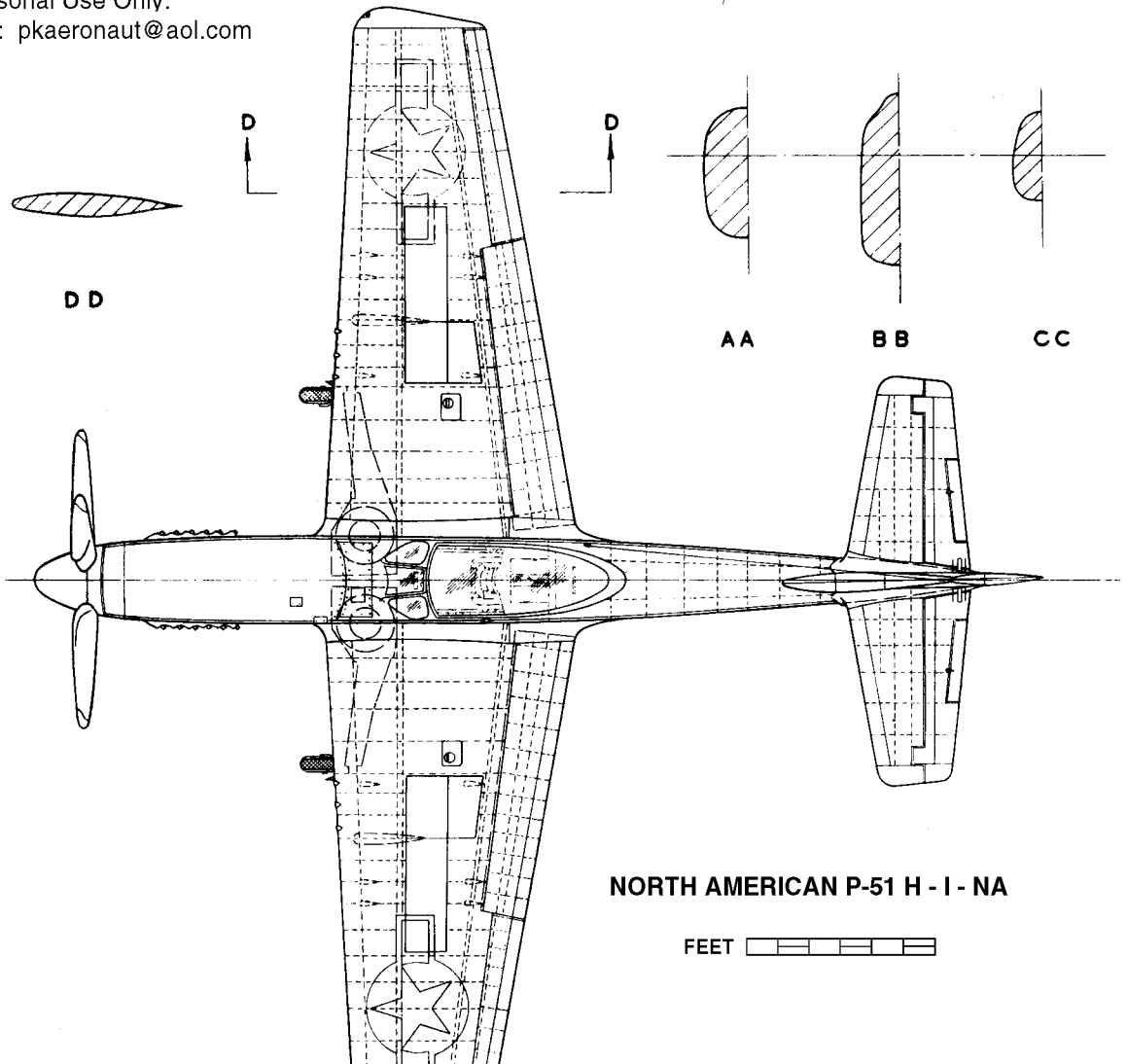


NORTH AMERICAN P-51D Mustang

FEET

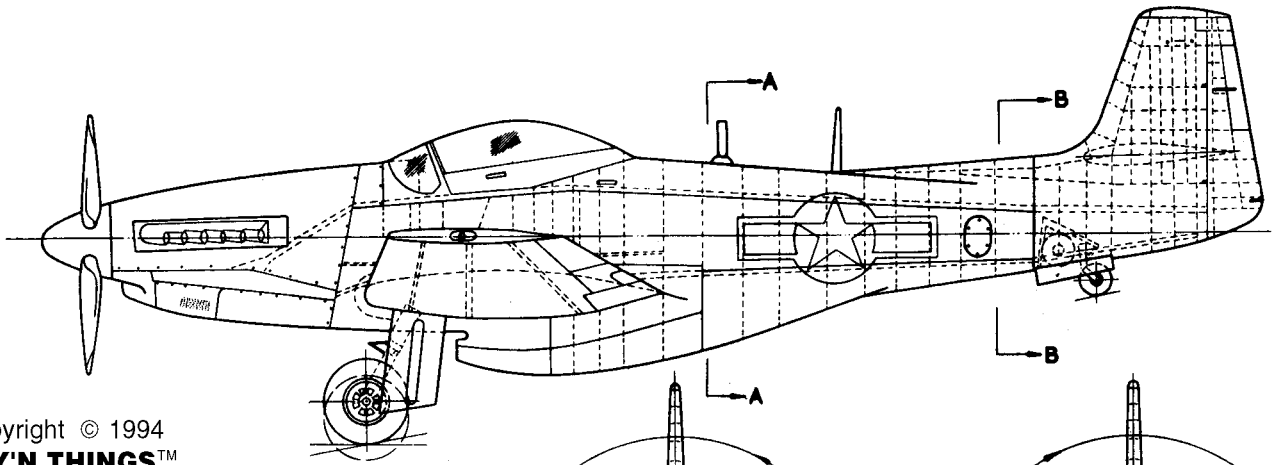


Copyright © 1994
FLY'N THINGS™
 For Personal Use Only.
 Internet: pkaeronaut@aol.com

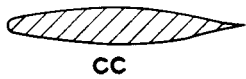
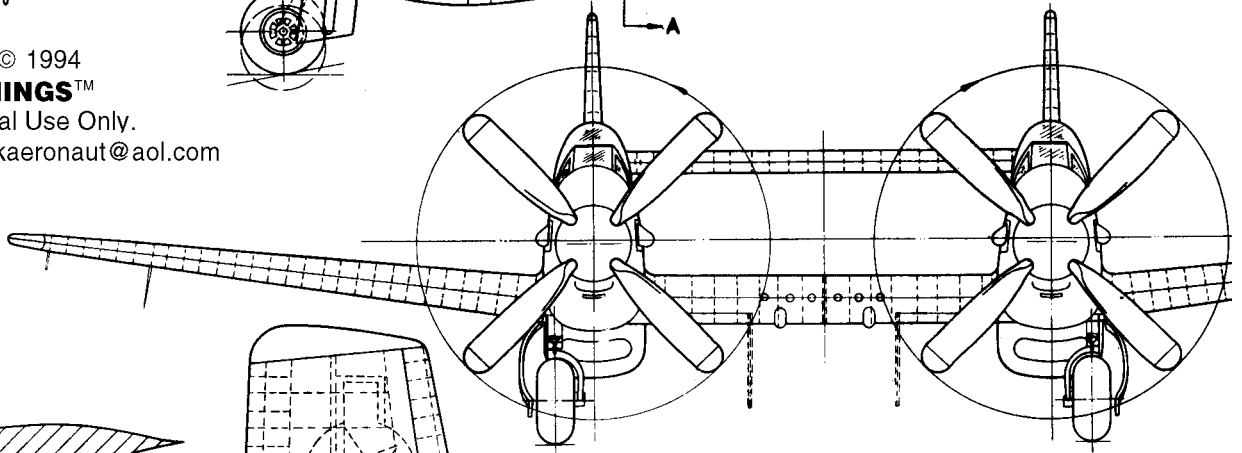


NORTH AMERICAN P-51 H - I - NA

FEET



Copyright © 1994
FLY'N THINGS™
For Personal Use Only.
Internet: pkaeronaut@aol.com

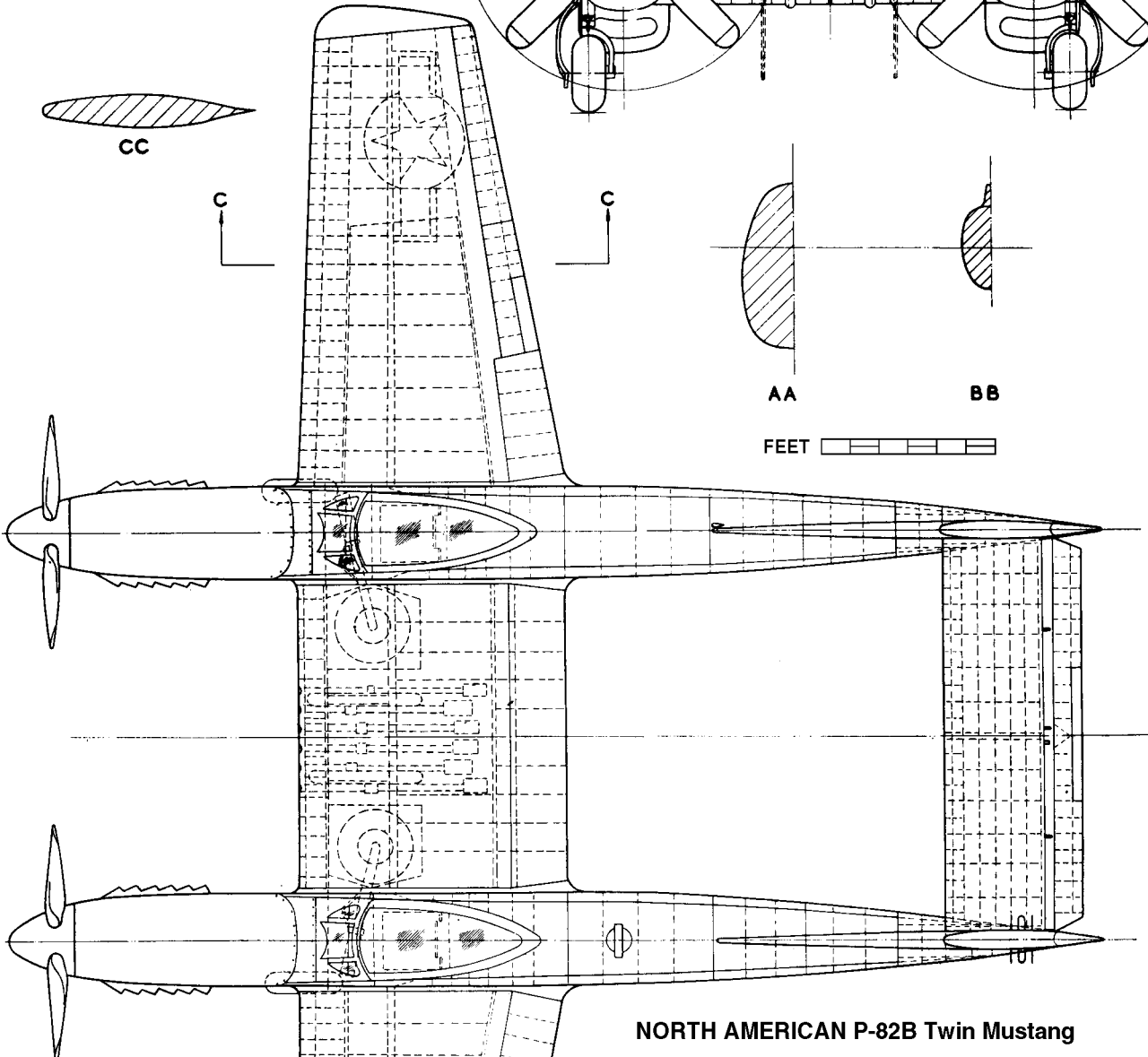


AA

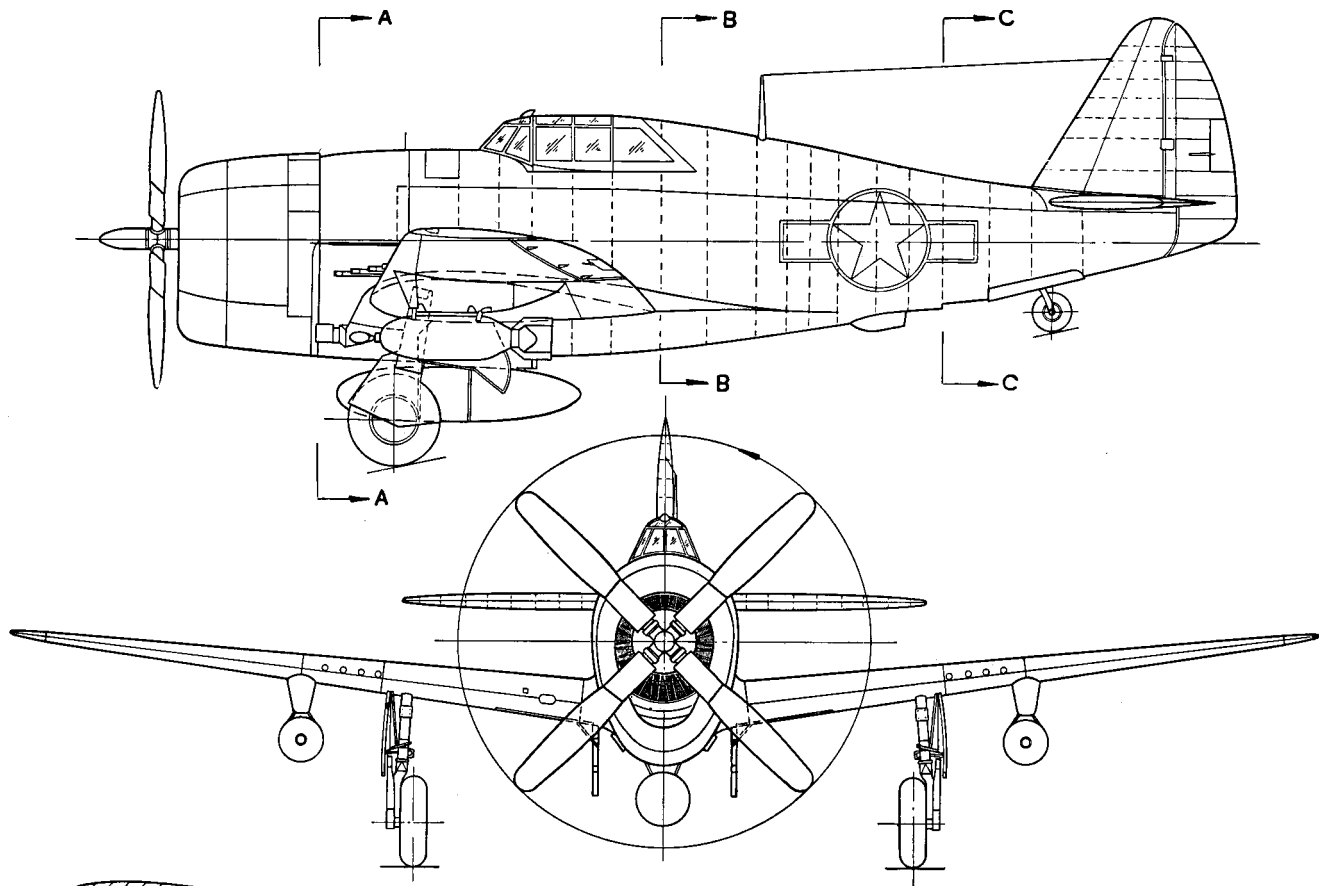


BB

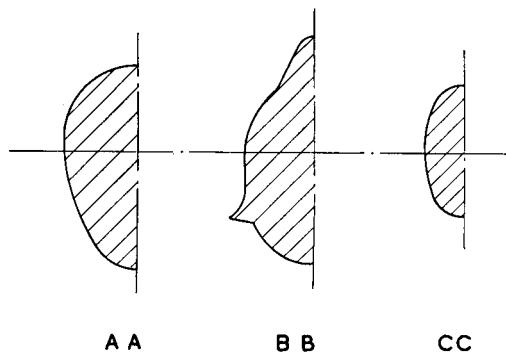
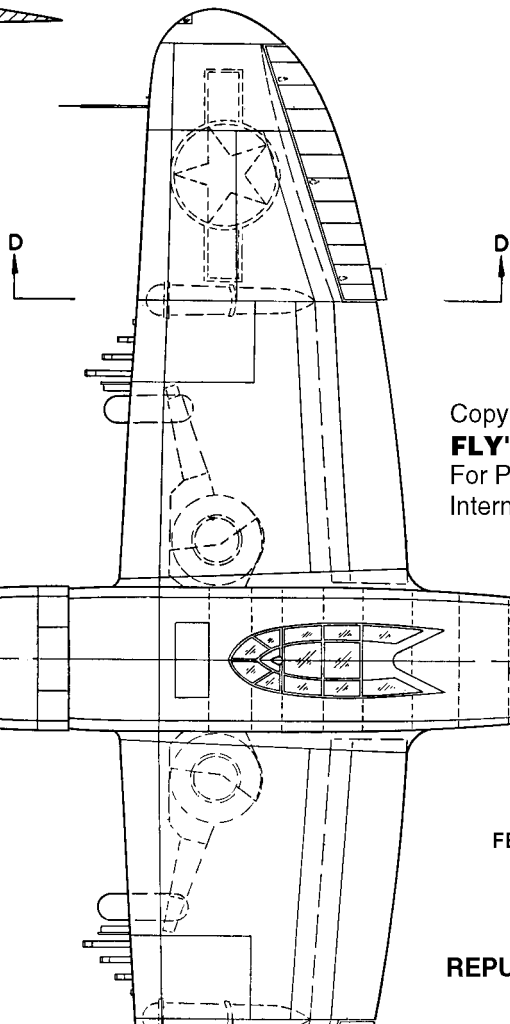
FEET



NORTH AMERICAN P-51B Twin Mustang



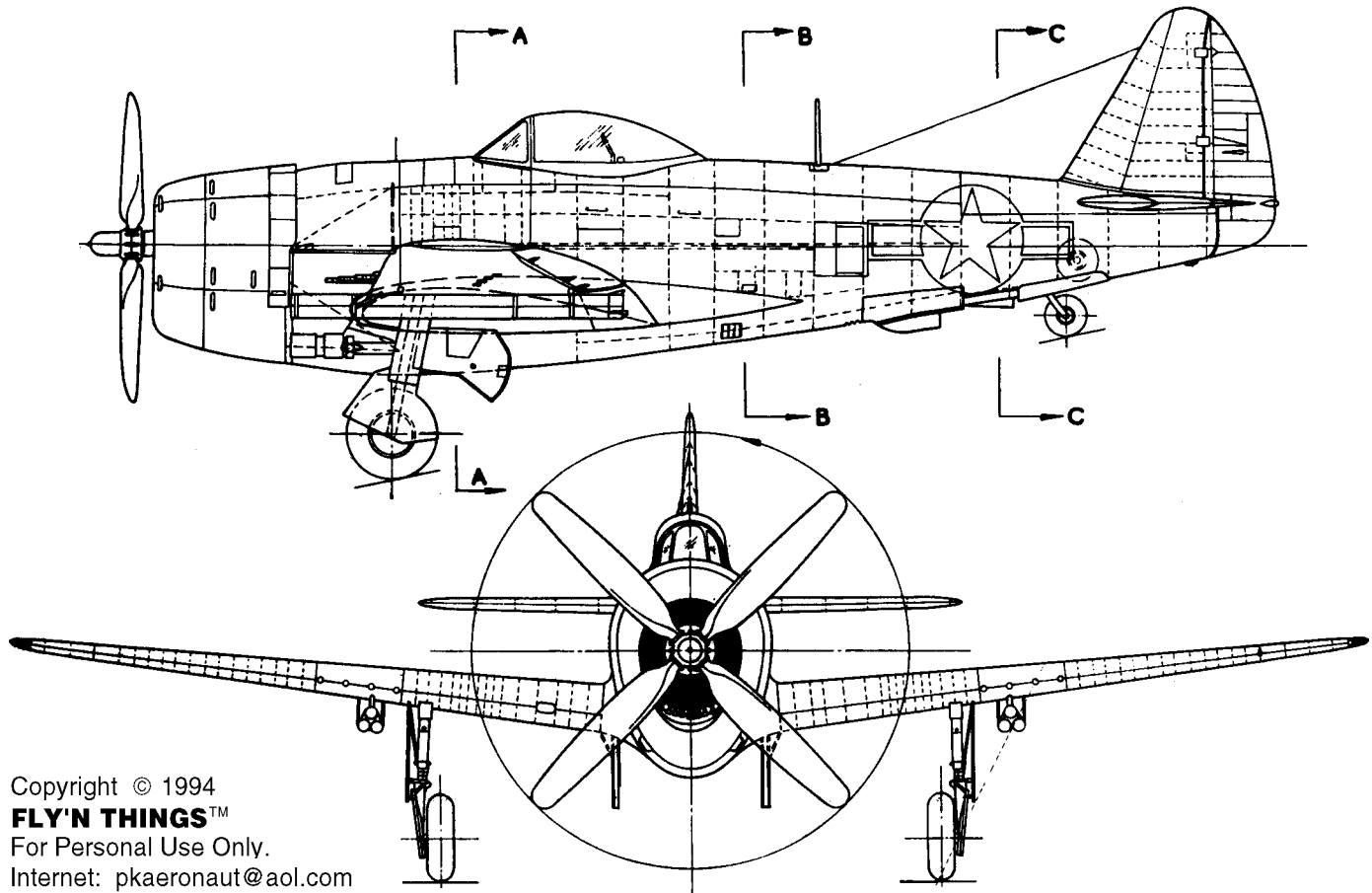
DD



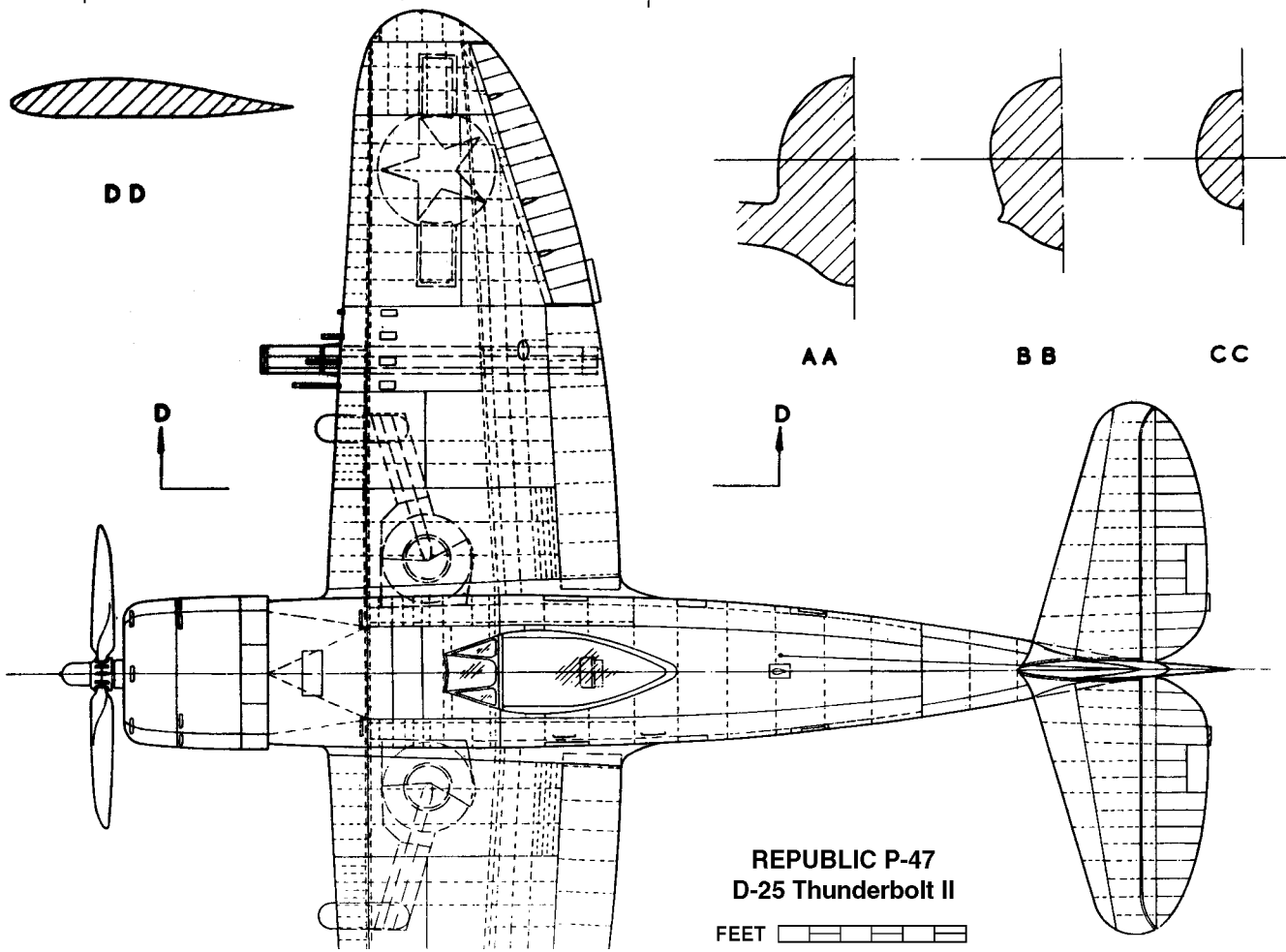
Copyright © 1994
FLY'N THINGS™
 For Personal Use Only.
 Internet: pkaeronaut@aol.com

FEET

REPUBLIC P-47D Thunderbolt

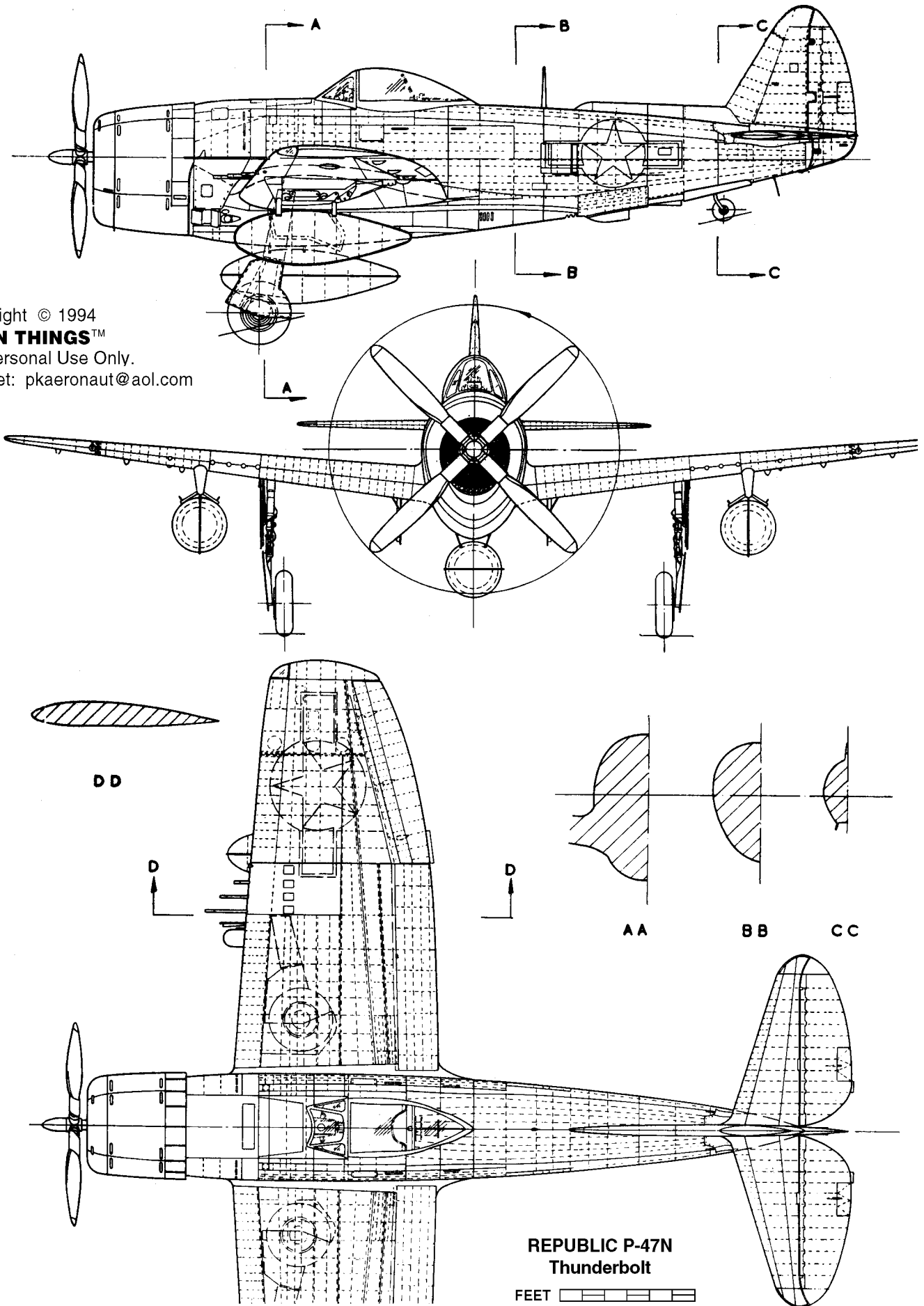


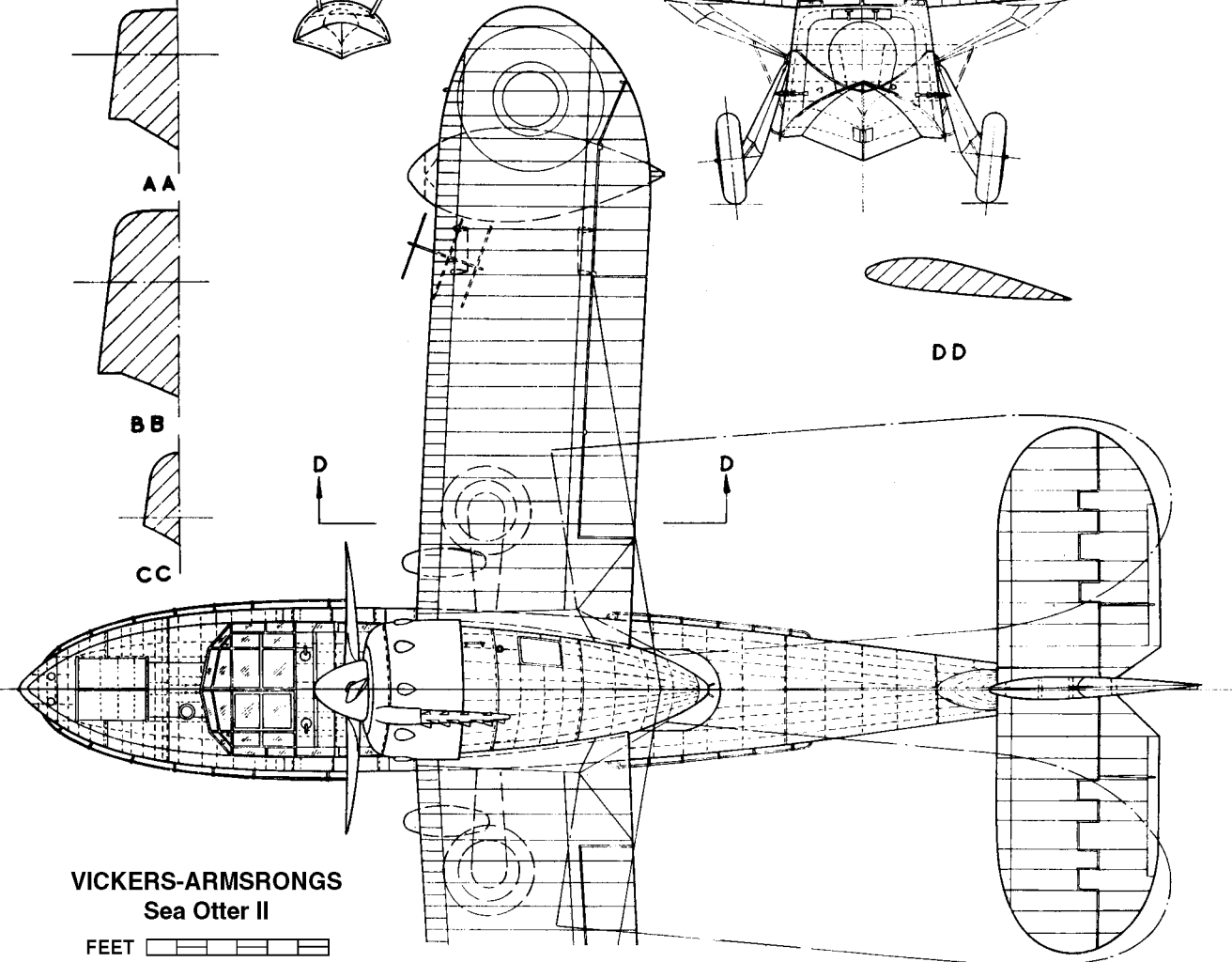
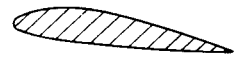
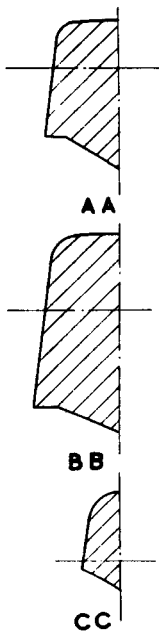
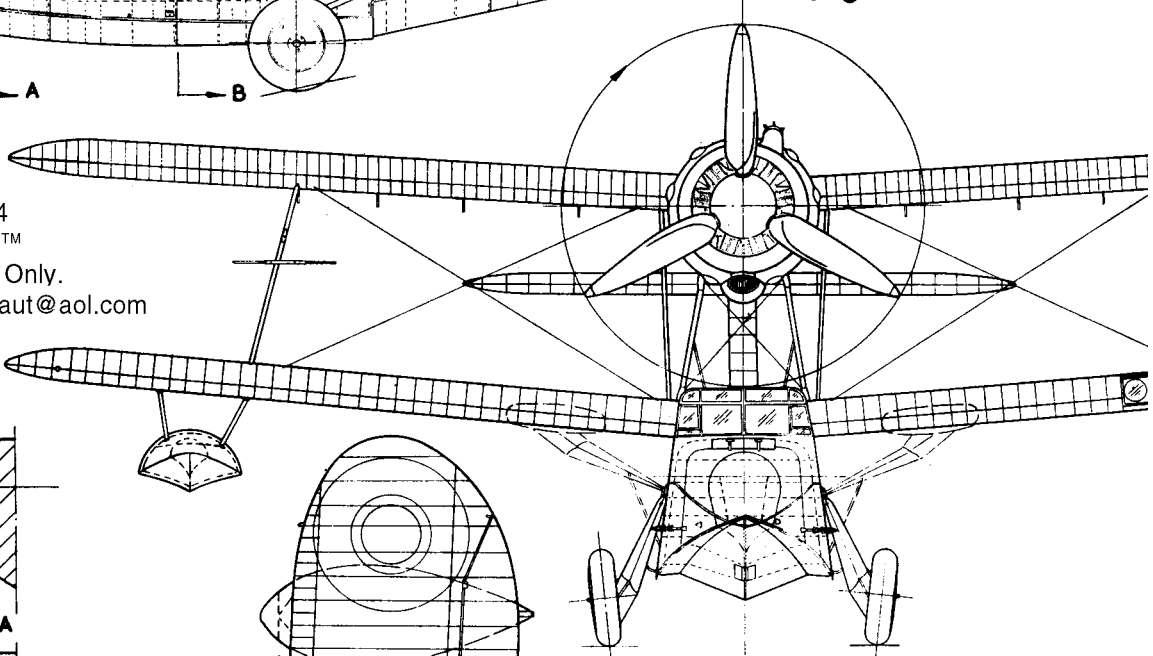
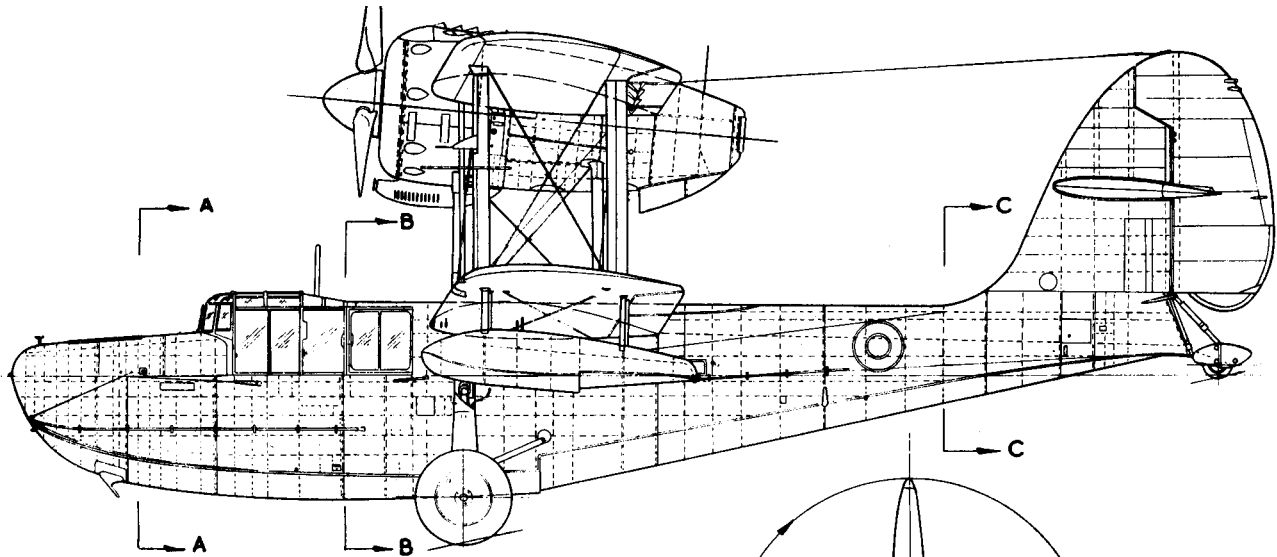
Copyright © 1994
FLY'N THINGS™
 For Personal Use Only.
 Internet: pkaeronaut@aol.com



REPUBLIC P-47
 D-25 Thunderbolt II
 FEET

Copyright © 1994
FLY'N THINGS™
For Personal Use Only.
Internet: pkaeronaut@aol.com



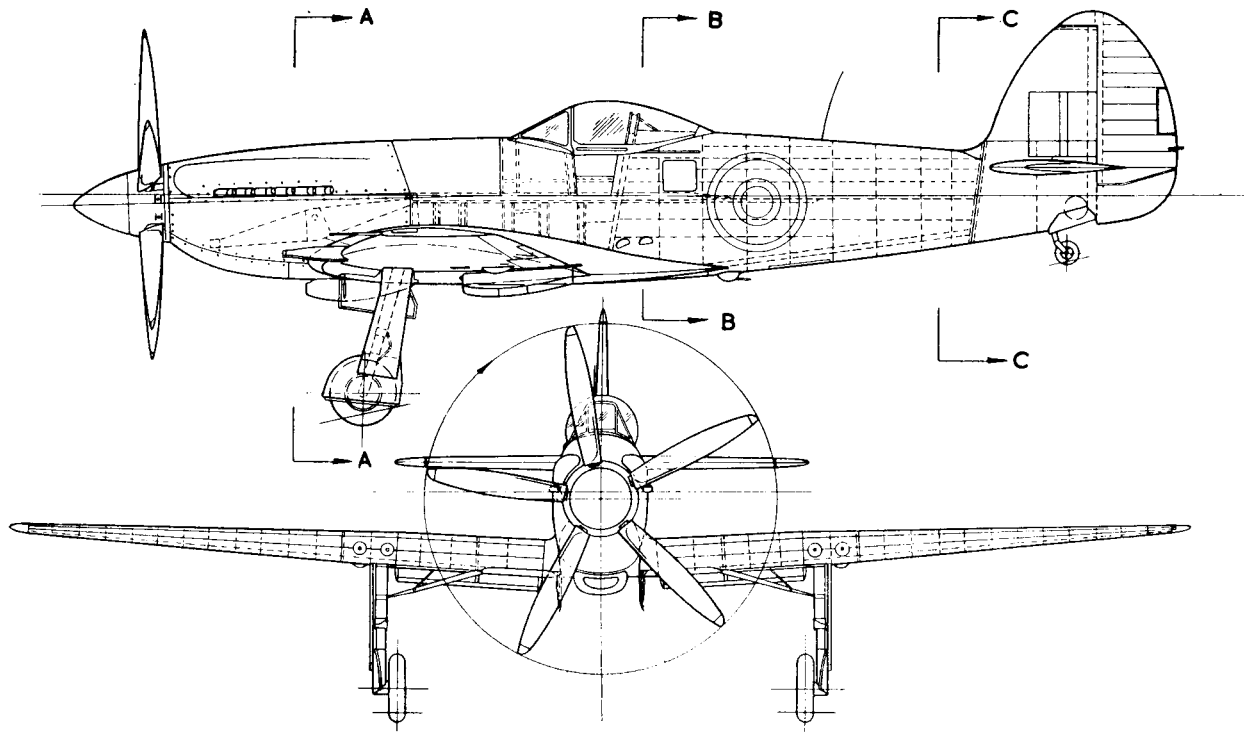


Copyright © 1994
FLY'N THINGS™
 For Personal Use Only.
 Internet: pkaeronaut@aol.com

VICKERS-ARMSRONGS
 Sea Otter II

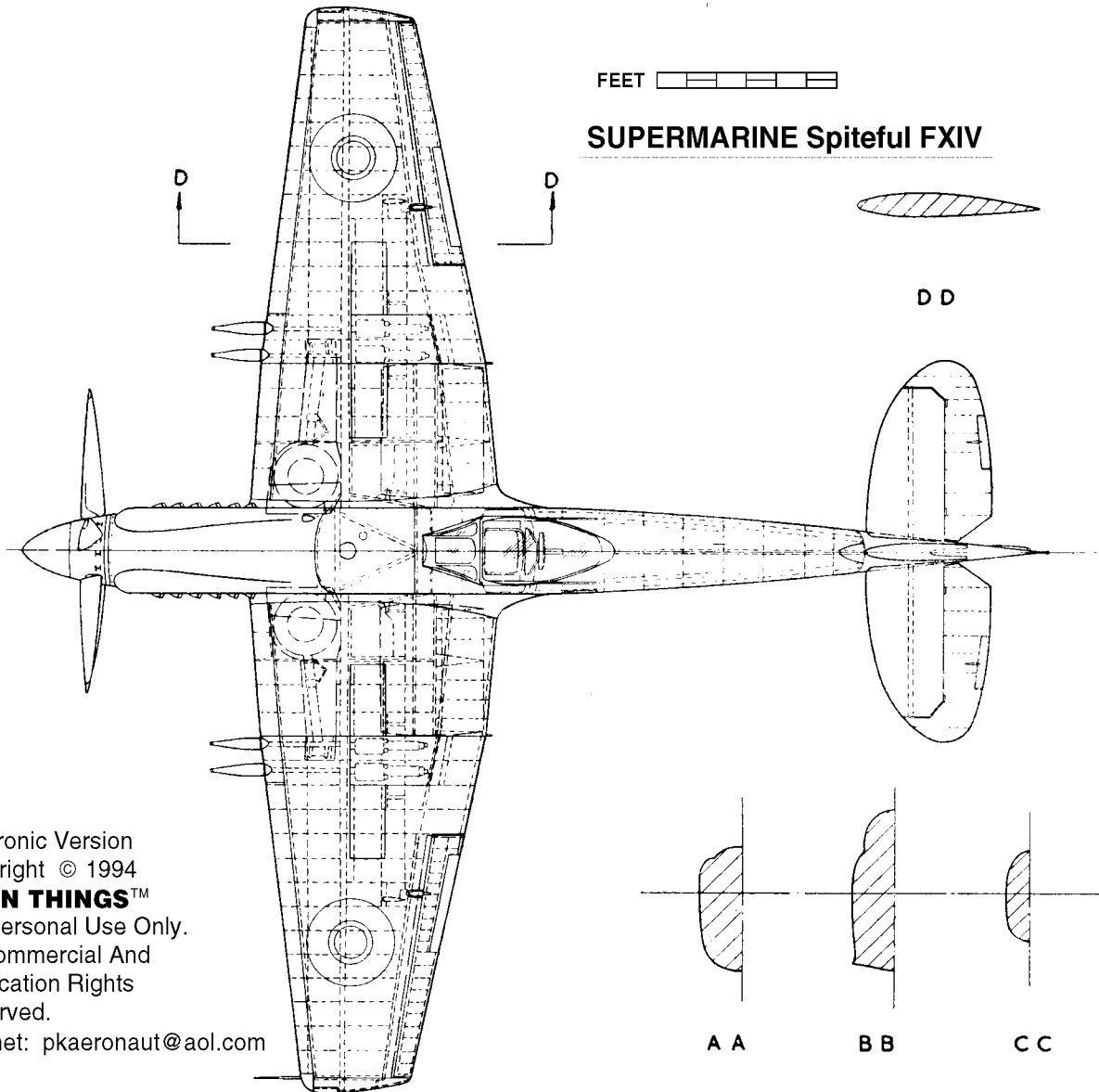
FEET

--	--	--	--	--	--

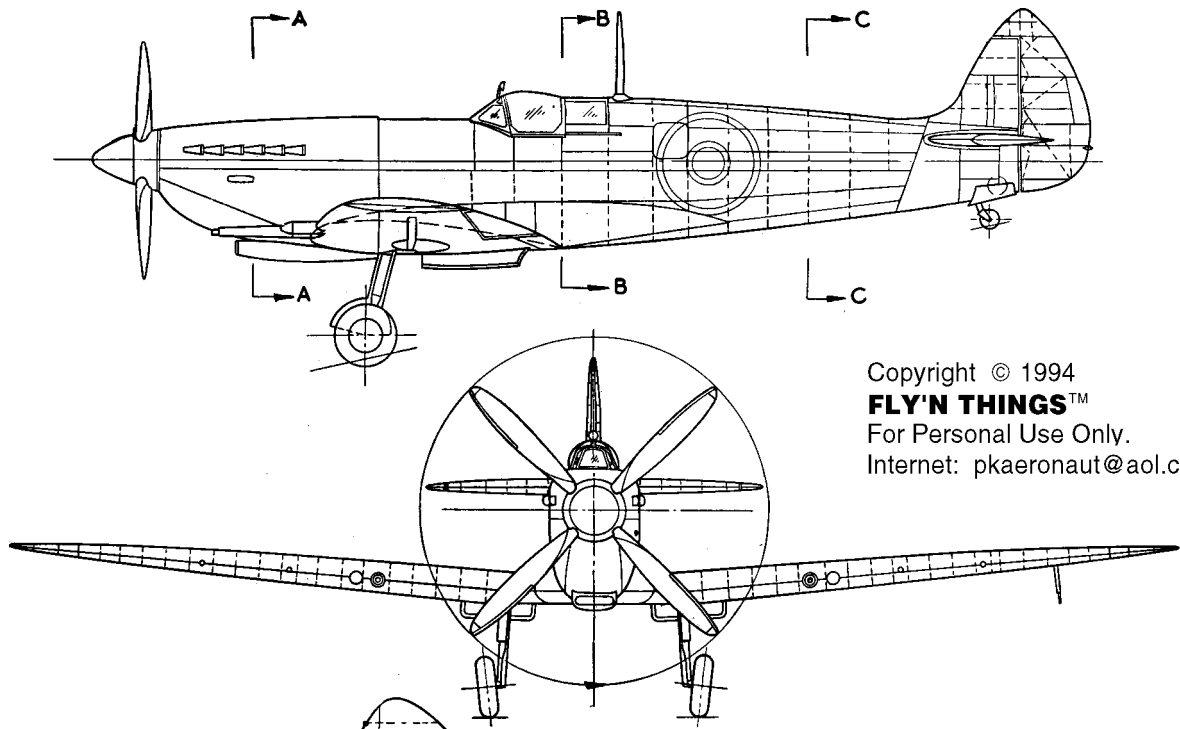


FEET

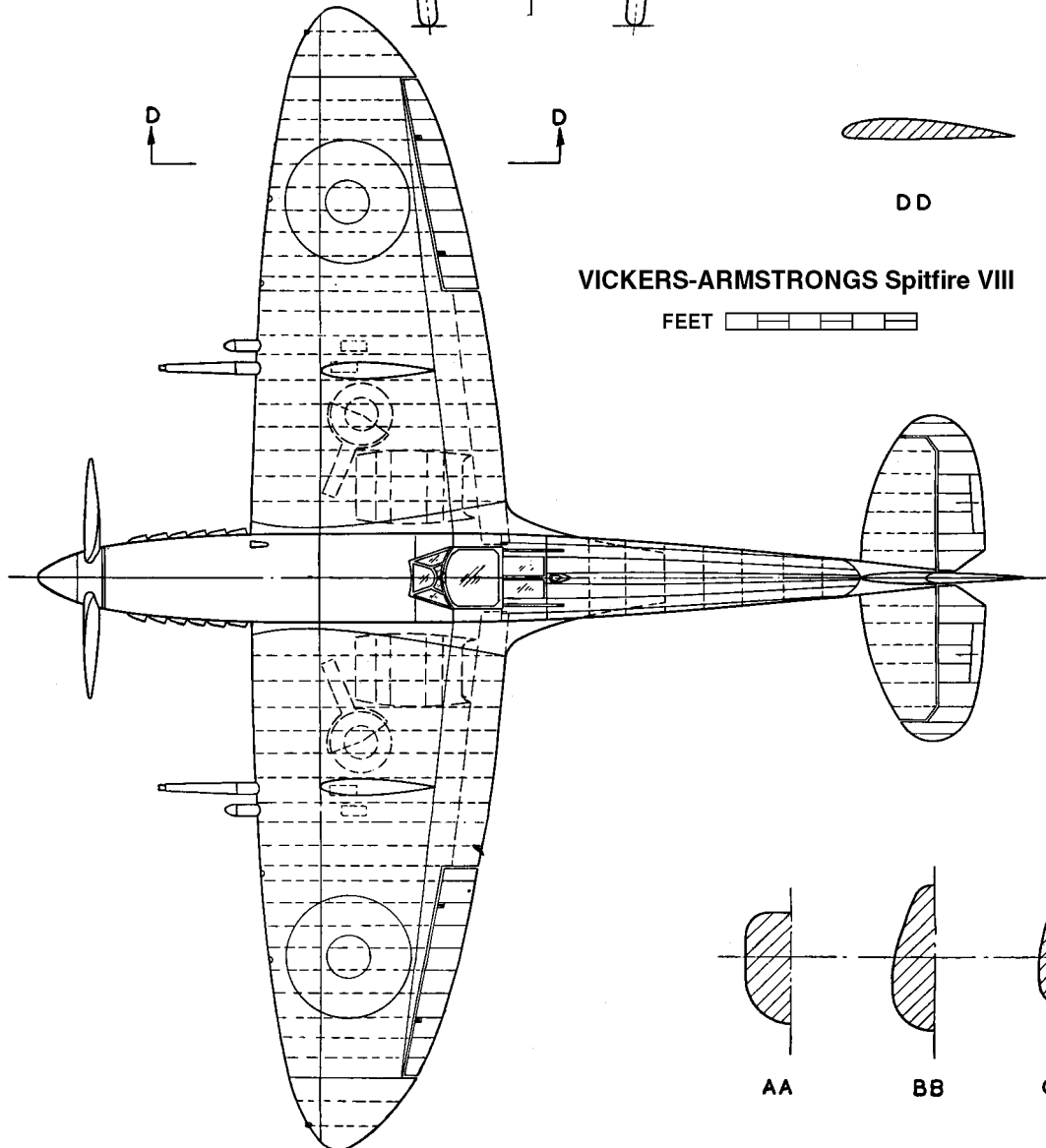
SUPERMARINE Spiteful FXIV



Electronic Version
 Copyright © 1994
FLY'N THINGS™
 For Personal Use Only.
 All Commercial And
 Duplication Rights
 Reserved.
 Internet: pkaeronaut@aol.com

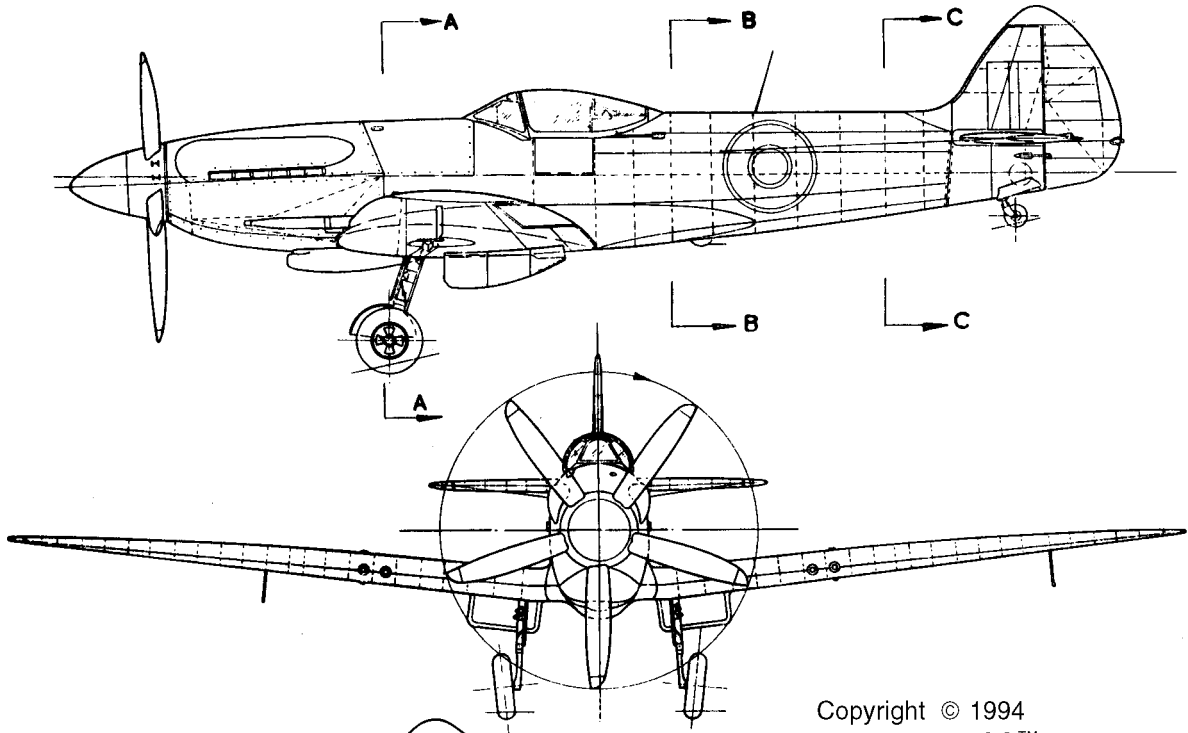


Copyright © 1994
FLY'N THINGS™
 For Personal Use Only.
 Internet: pkaeronaut@aol.com

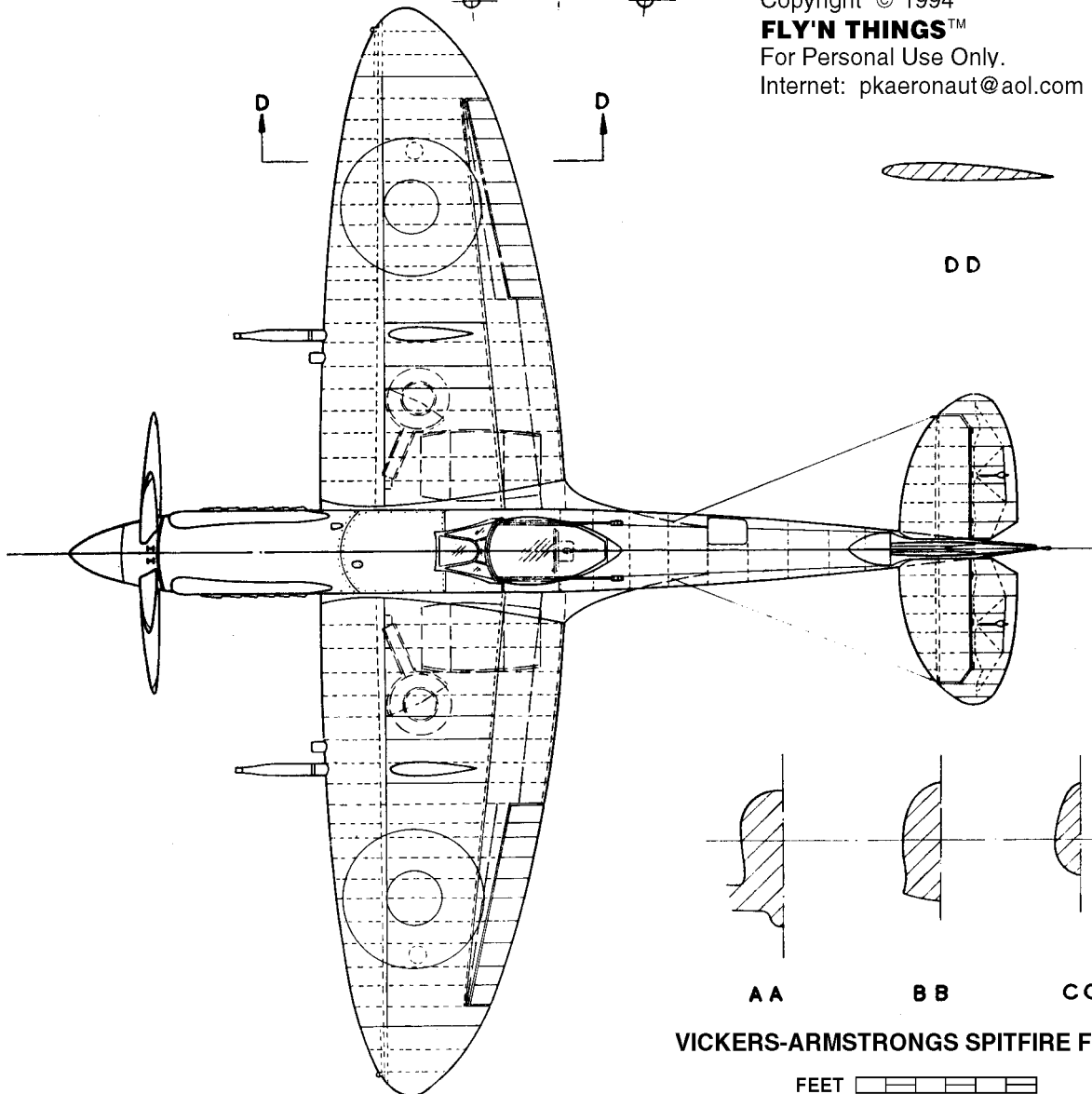


VICKERS-ARMSTRONGS Spitfire VIII

FEET

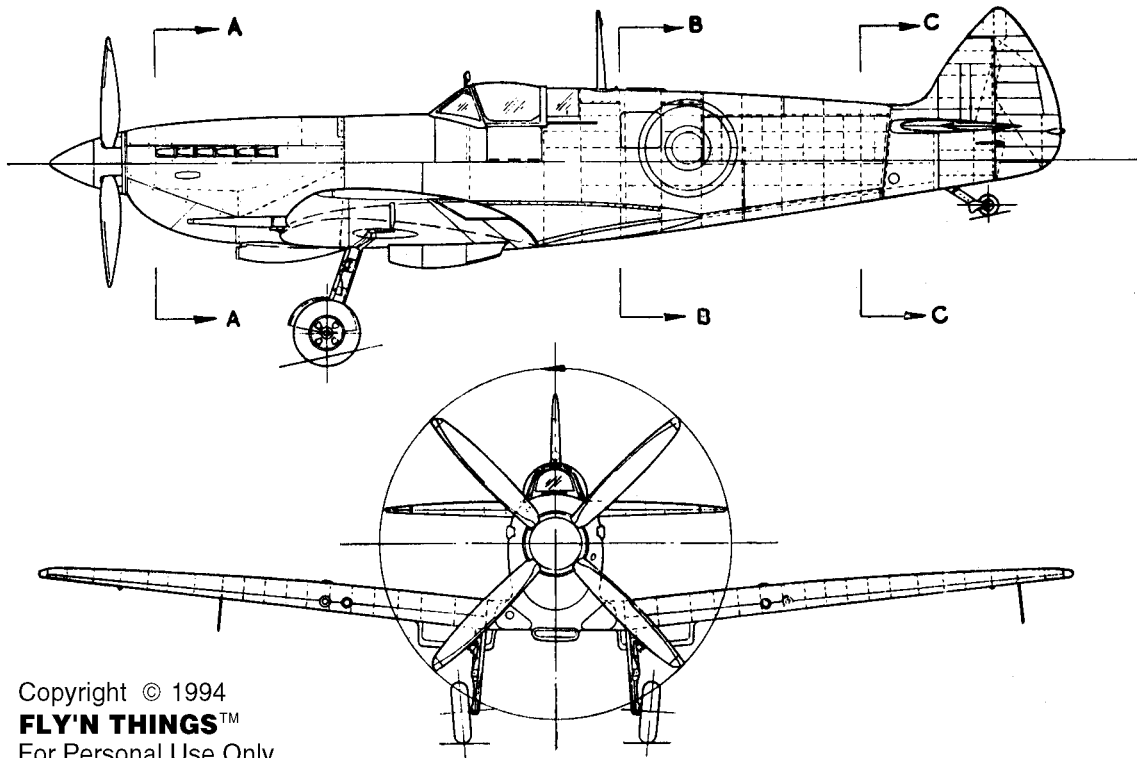


Copyright © 1994
FLY'N THINGS™
 For Personal Use Only.
 Internet: pkaeronaut@aol.com



VICKERS-ARMSTRONGS SPITFIRE FXIVe

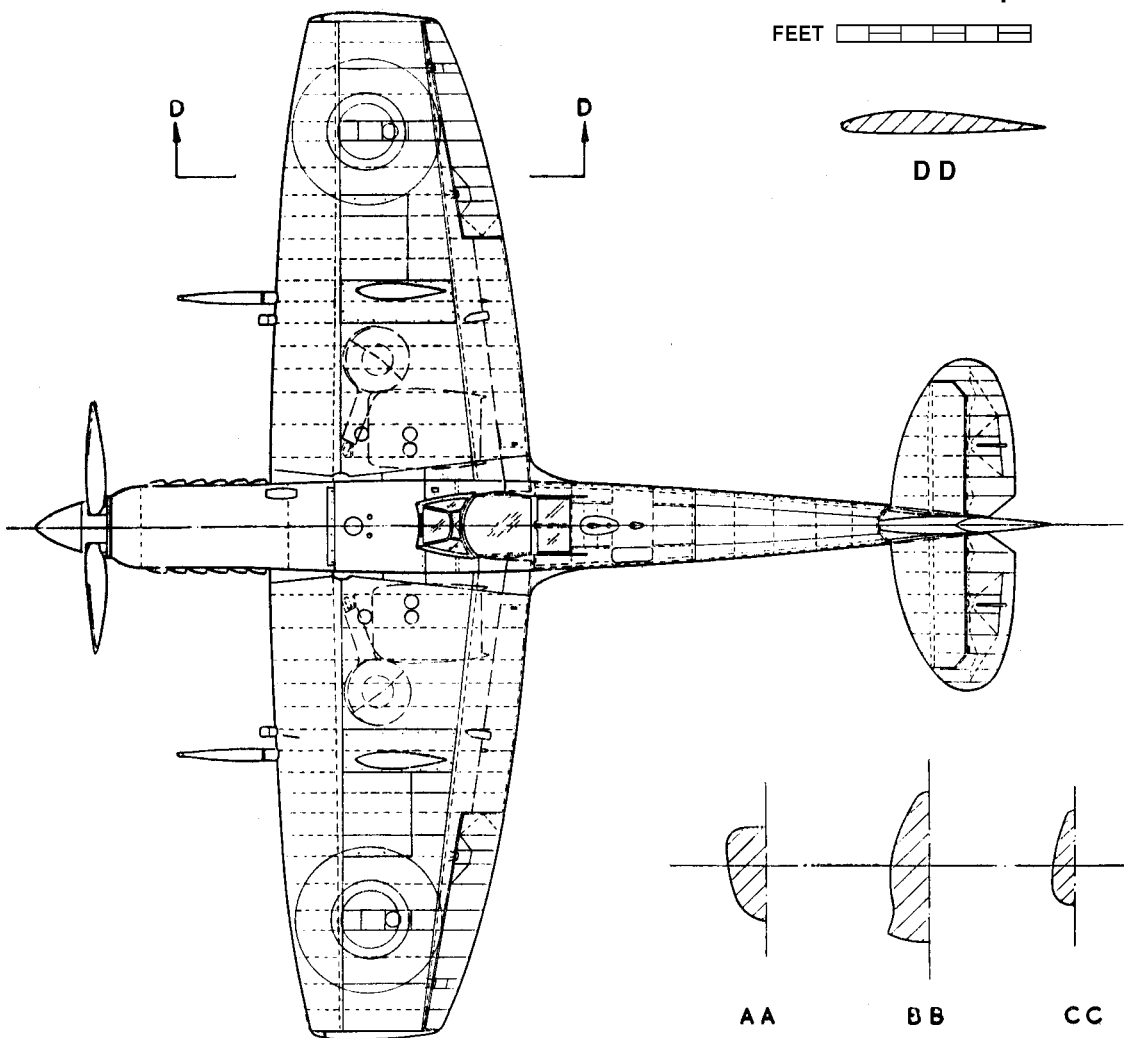
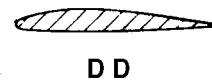
FEET

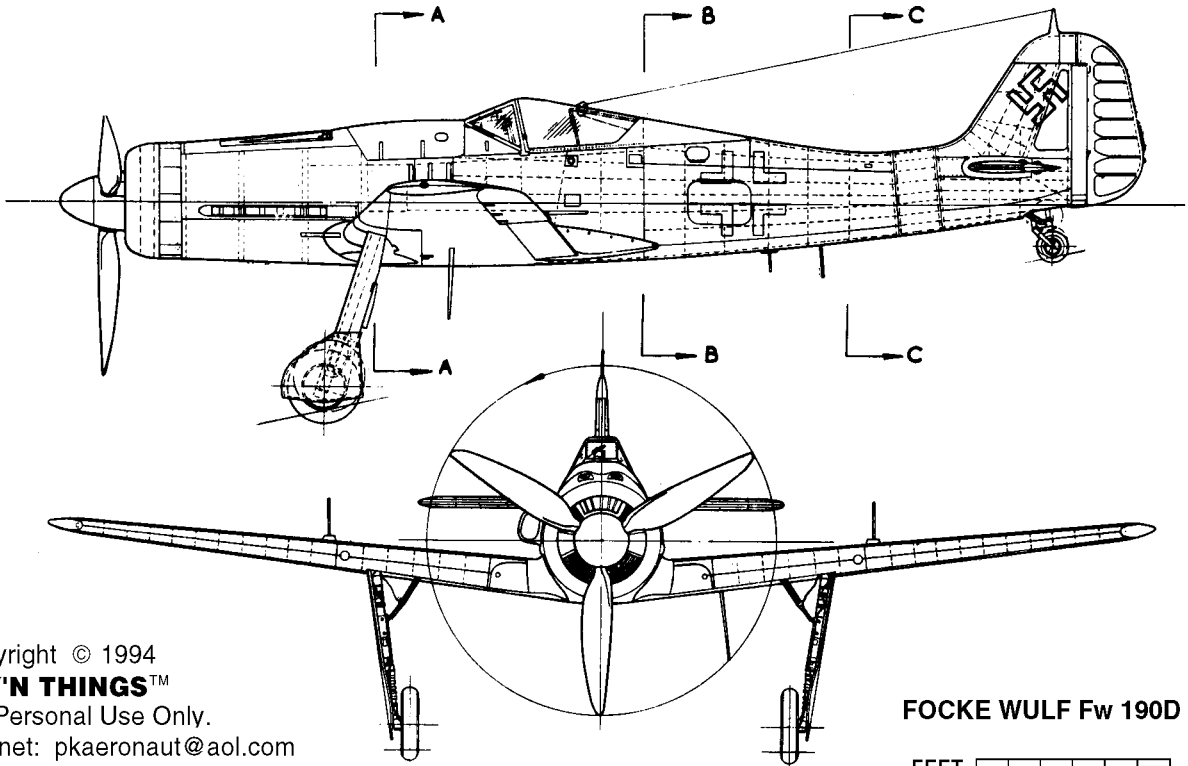


Copyright © 1994
FLY'N THINGS™
 For Personal Use Only.
 Internet: pkaeronaut@aol.com

VICKERS-ARMSRONGS Spitfire XVI

FEET

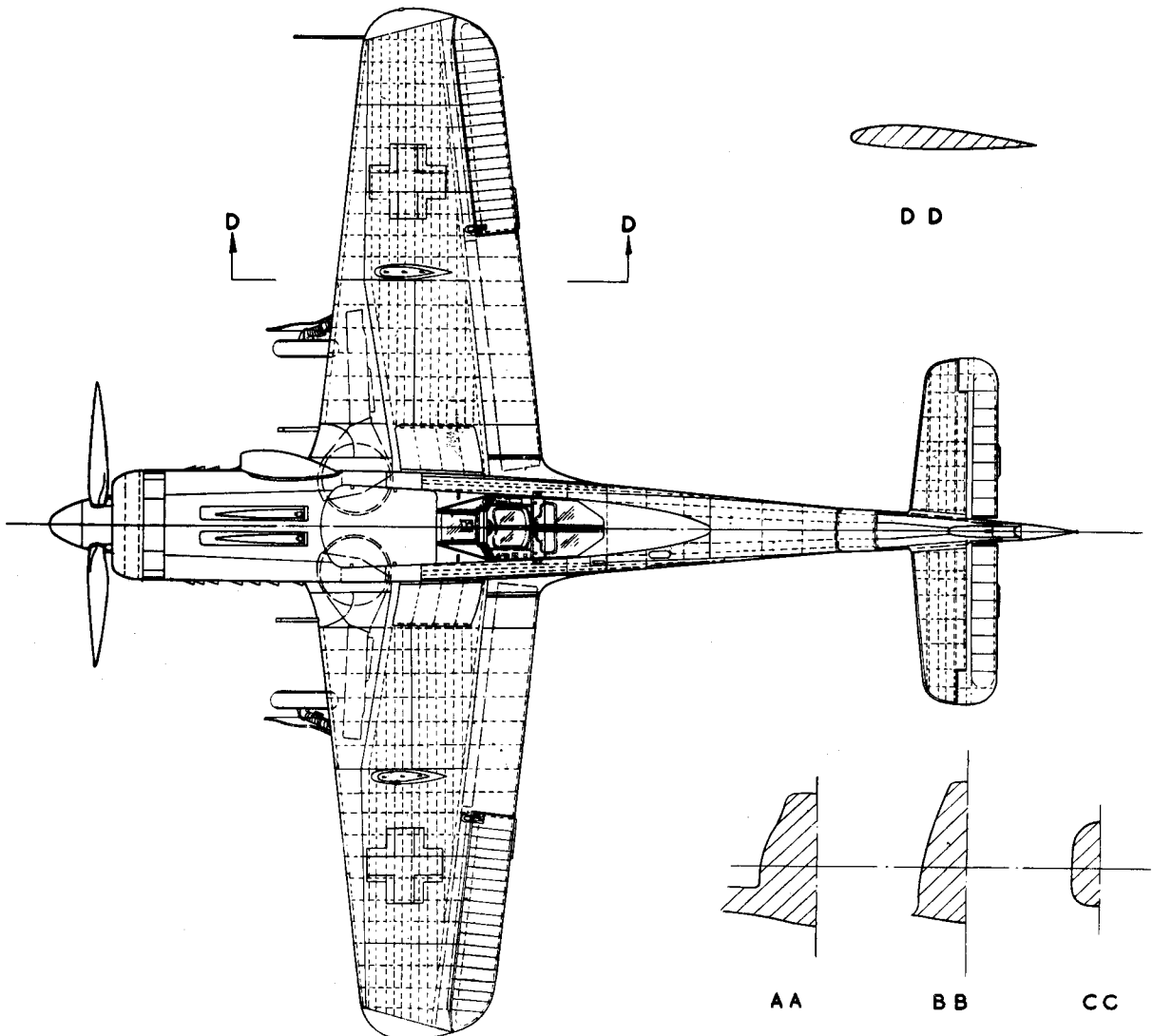


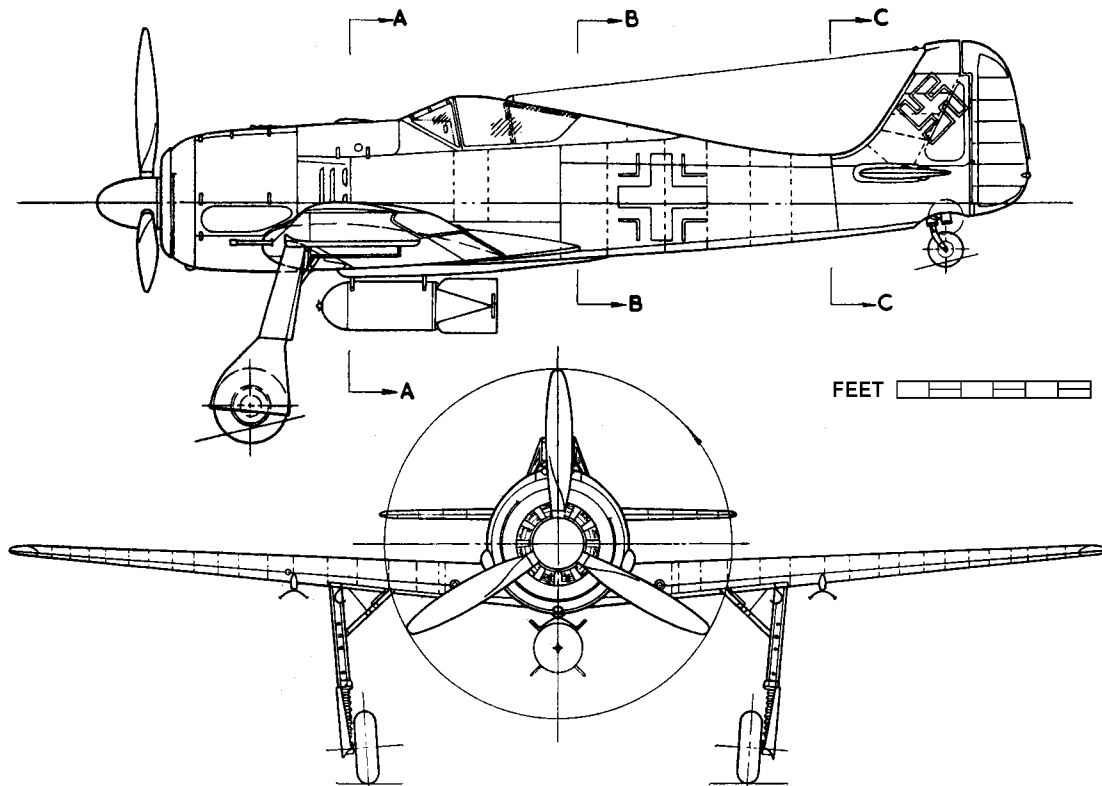


Copyright © 1994
FLY'N THINGS™
 For Personal Use Only.
 Internet: pkaeronaut@aol.com

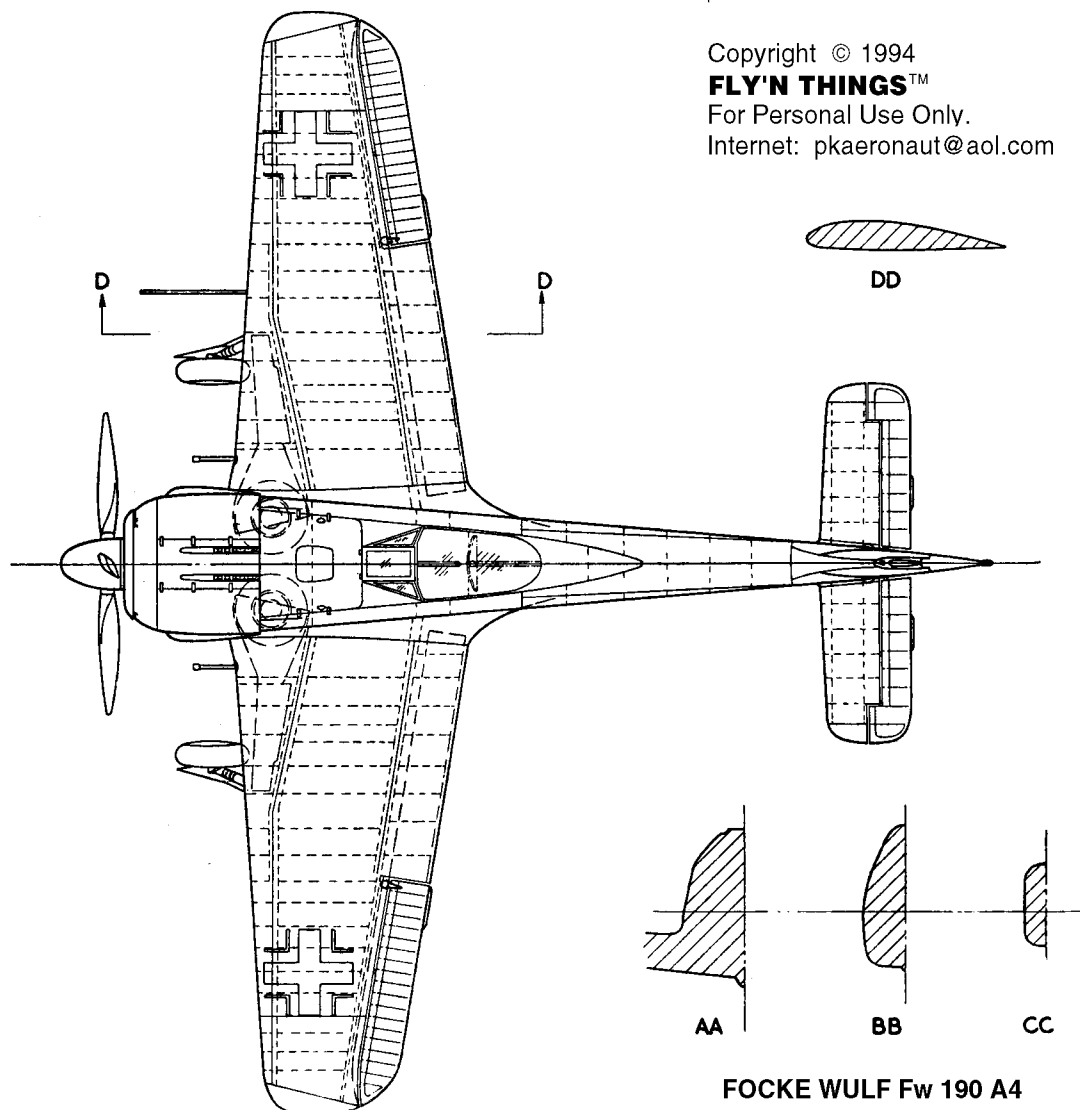
FOCKE WULF Fw 190D

FEET





Copyright © 1994
FLY'N THINGS™
 For Personal Use Only.
 Internet: pkaeronaut@aol.com



FOCKE WULF Fw 190 A4