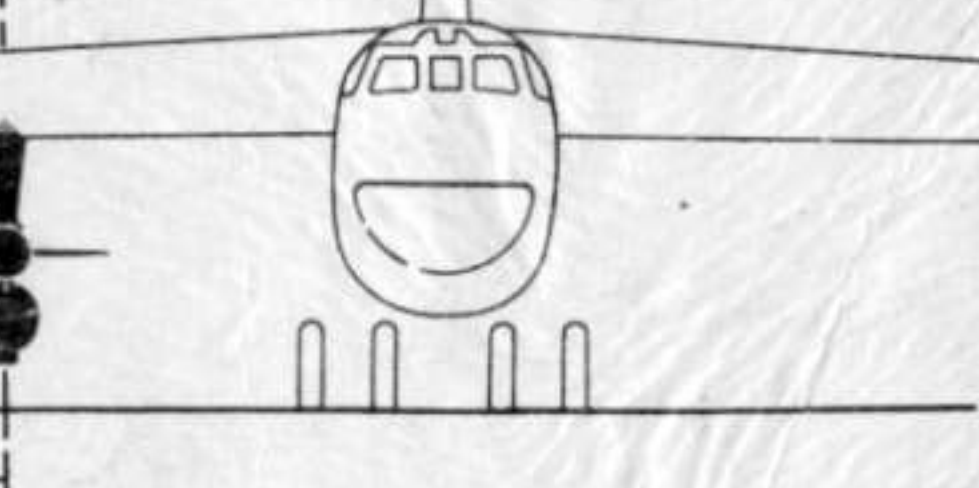


GAM 77 AND
GAM 77-A
STATION DIAGRAMS



GAM 77 AND

GAM 77-A

STATION DIAGRAMS

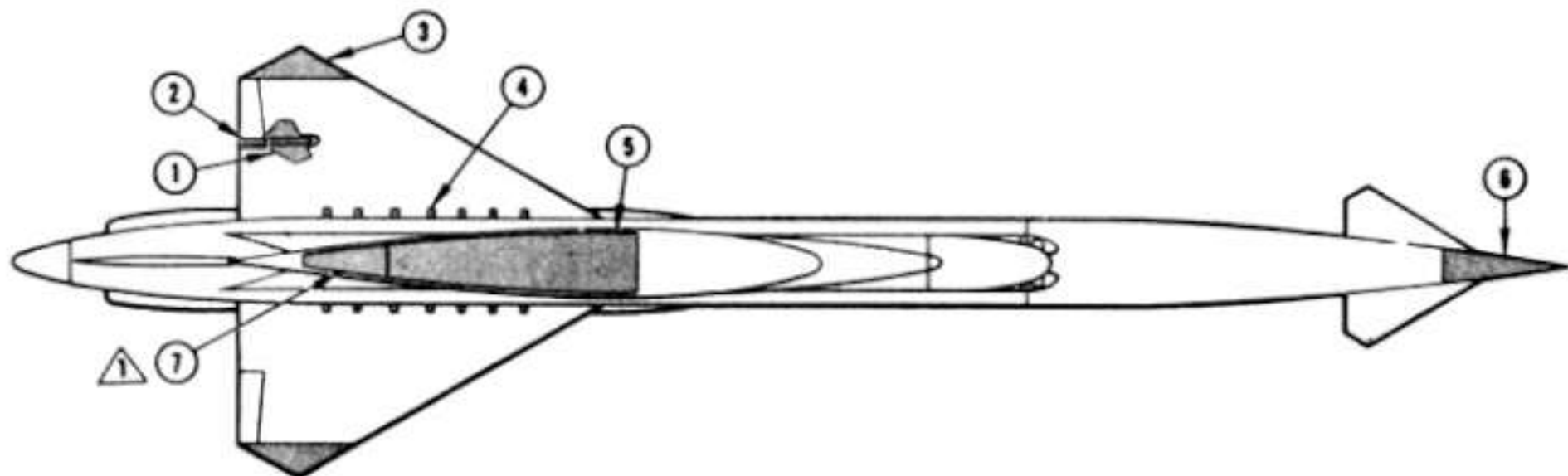
JANUARY 1961

PREPARED BY

DEPARTMENT 470 TRAINING

SPACE and INFORMATION SYSTEMS DIVISION

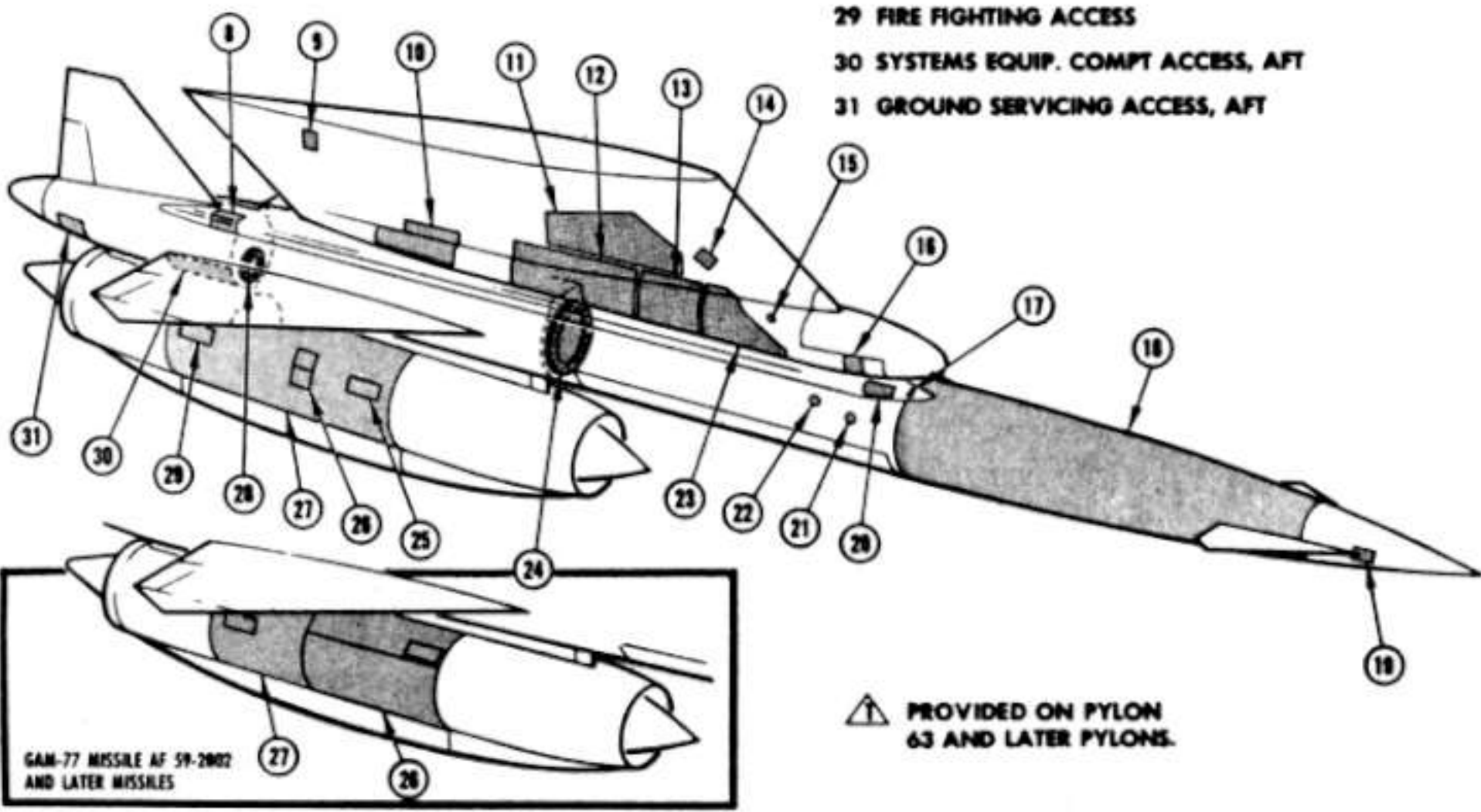
NORTH AMERICAN AVIATION INC.



- 1 WING AILERON ACTUATOR FAIRING
- 2 AILERON FAIRING COVER
- 3 WING TIPS
- 4 WING ATTACH FITTING ACCESS
- 5 PYLON AMMONIA TANK ACCESS
- 6 NOSE CONE

- △ 7 AMMONIA FILTER AND VALVE ACCESS
- 8 AFT FAIRING ACCESS
- 9 PYLON AMMONIA SHUT OFF ACCESS
- 10 COLLET-GSE ALINING PIN—FUEL DISCONNECT ACCESS AFT
- 11 PYLON ACCESS UPPER
- 12 PYLON ACCESS LOWER AFT
- 13 EQUIPMENT ACCESS
- 14 ELECTRICAL ACCESS

- 15 THRUSTER PIN INSPECTION ACCESS
- 16 ASTROTRACKER ATTACHMENT ACCESS
- 17 FORWARD FAIRING ACCESS, EQUIP. COMPT
- 18 FORWARD BODY SHELL
- 19 PNEUMATIC LINE ACCESS
- 20 FORWARD FAIRING ACCESS, WARHEAD COMPT
- 21 OPTICAL SIGHTING WINDOW
- 22 GROUND POWER ACCESS
- 23 THRUSTER & SQUIB ACCESS
- 24 FUEL TANK ACCESS
- 25 FIRE FIGHTING ACCESS
- 26 LUBRICATION ACCESS
- 27 ENGINE NACELLE SIDE PANEL ACCESS
- 28 FUEL PUMP ACCESS
- 29 FIRE FIGHTING ACCESS
- 30 SYSTEMS EQUIP. COMPT ACCESS, AFT
- 31 GROUND SERVICING ACCESS, AFT



△ PROVIDED ON PYLON 63 AND LATER PYLONS.

GAM-77 MISSILE AF 59-2802 AND LATER MISSILES

32 COLLET-GSE ALINING PIN—FWD ELECTRICAL UMBILICAL ACCESS

33 ASTROTRACKER-ATTACHMENT ACCESS

34 DESTRUCT PACKAGE ACCESS

35 AMMONIA OVERFLOW

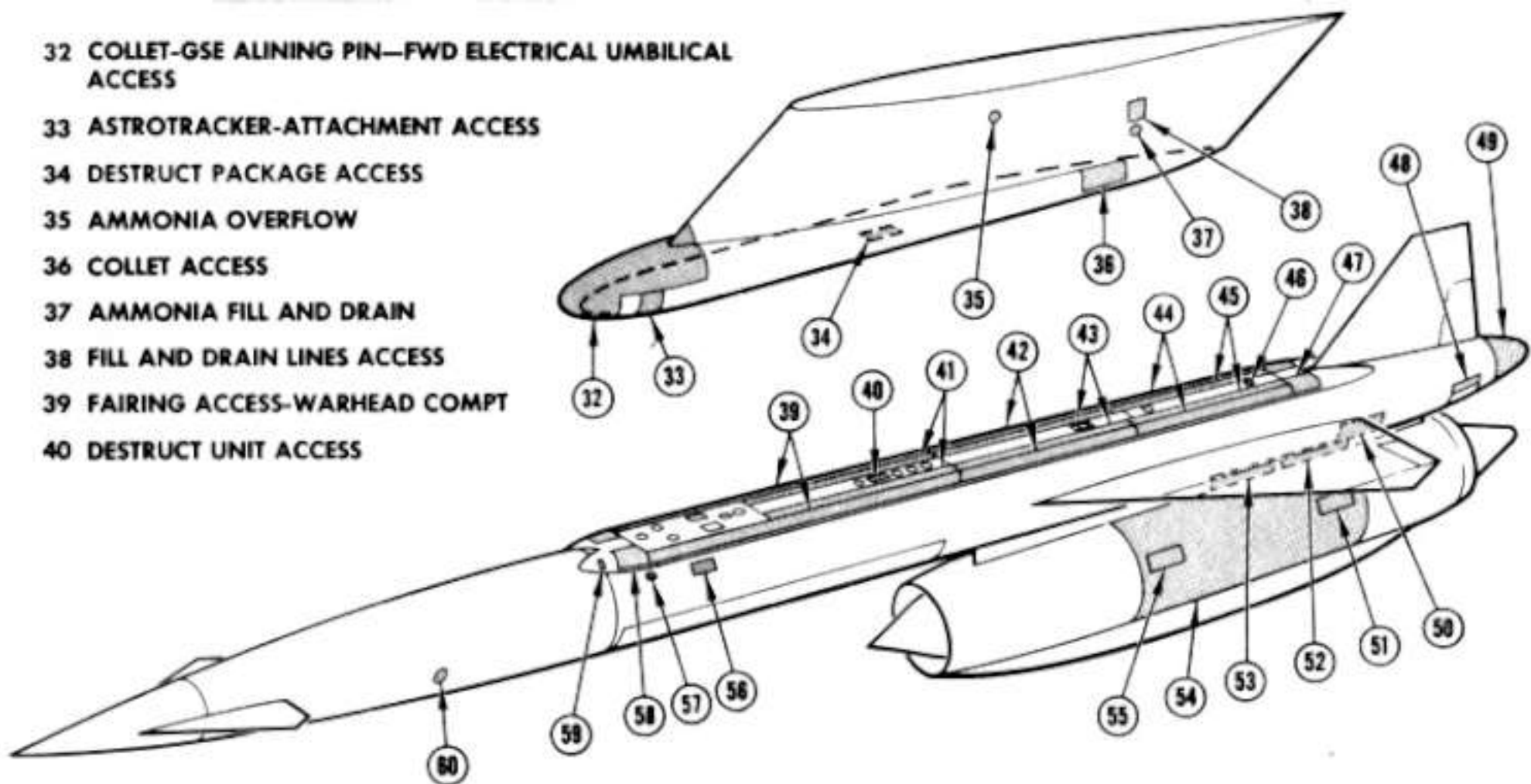
36 COLLET ACCESS

37 AMMONIA FILL AND DRAIN

38 FILL AND DRAIN LINES ACCESS

39 FAIRING ACCESS-WARHEAD COMPT

40 DESTRUCT UNIT ACCESS



41 FORWARD TUNNEL ACCESS

42 FORWARD INTERMEDIATE FAIRING ACCESS

43 FORWARD INTERMEDIATE TUNNEL ACCESS

44 AFT INTERMEDIATE FAIRING ACCESS

45 AFT INTERMEDIATE TUNNEL ACCESS

46 GROUND FUELING ACCESS

47 AFT FAIRING ACCESS

48 HYDRAULIC CHECKOUT DISCONNECT ACCESS

49 TAIL CONE

50 SYSTEMS EQUIP. COMPT ACCESS, AFT

51 FIRE FIGHTING ACCESS

52 REAR ENGINE MOUNT ACCESS

53 ENGINE FUEL LINE AND HYDRAULIC ACCESS

54 ENGINE NACELLE SIDE PANEL

55 FIRE FIGHTING ACCESS

56 GROUND CHECKOUT ACCESS

57 MISSILE AMMONIA VENT ACCESS

58 FORWARD FAIRING ACCESS, WARHEAD COMPT

59 FORWARD FAIRING ACCESS, EQUIP. COMPT

60 GROUND COOLING ACCESS

61 HINGE PIN ACCESS

62 AUTONAVIGATOR WARHEAD COMPT ACCESS

63 ENGINE STARTER ADAPTER ACCESS

64 PRESSURE LIMITER RECEPTACLE ACCESS

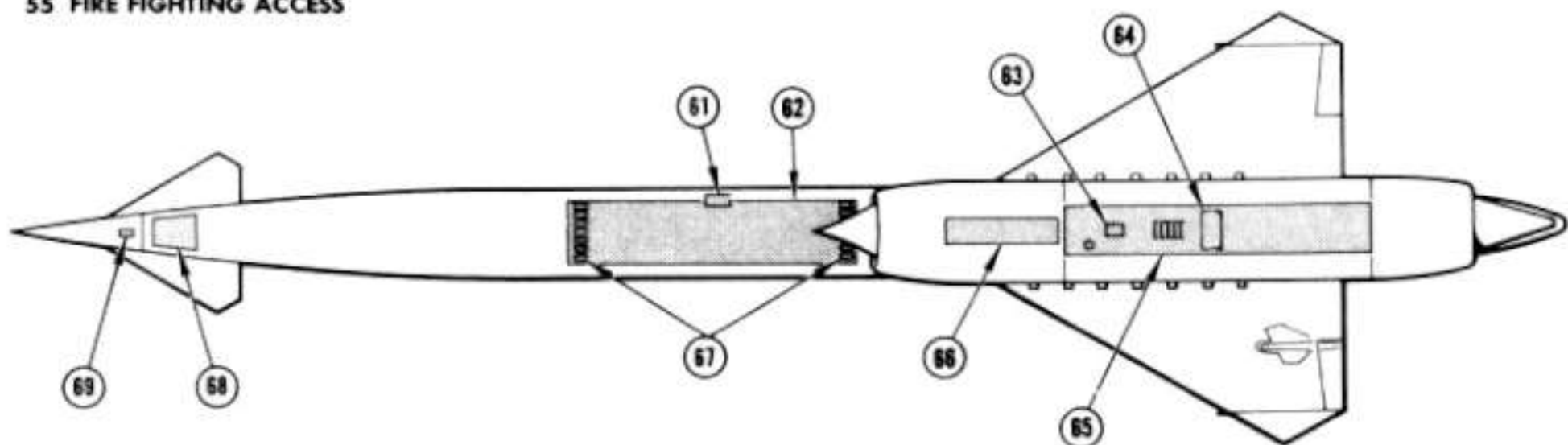
65 ENGINE ACCESSORY FAIRING ACCESS

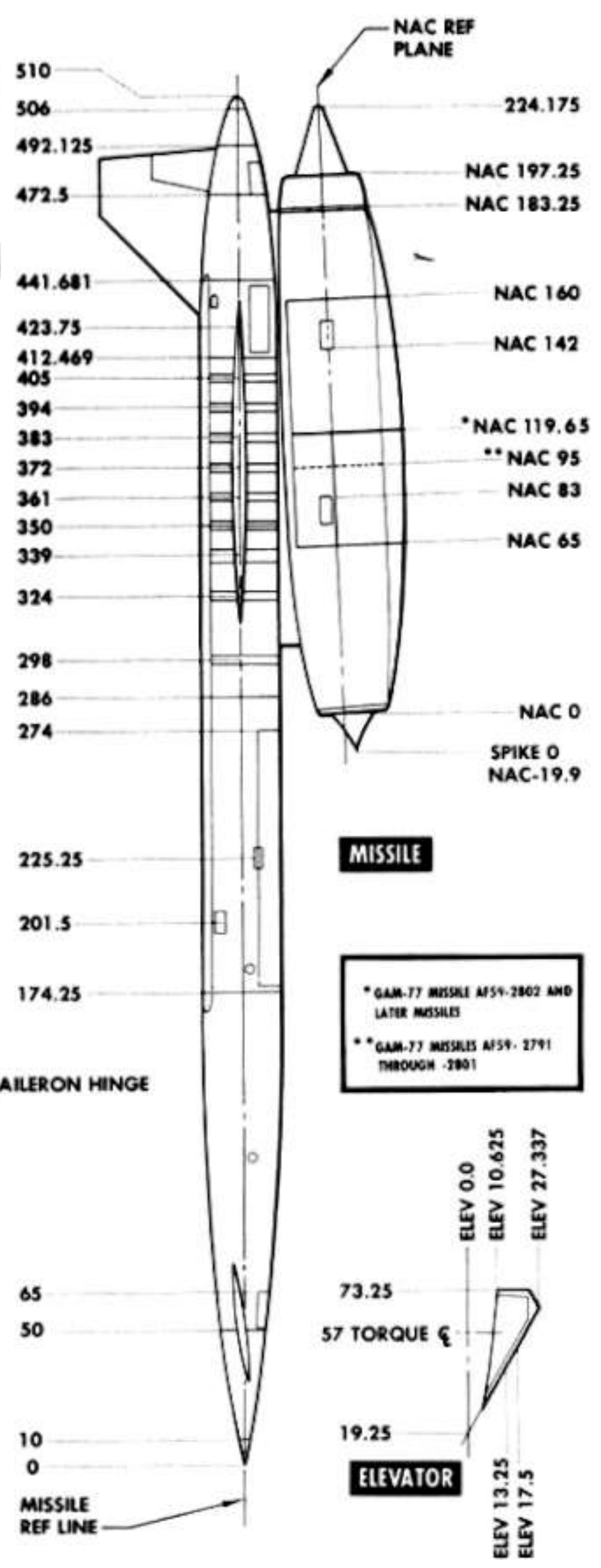
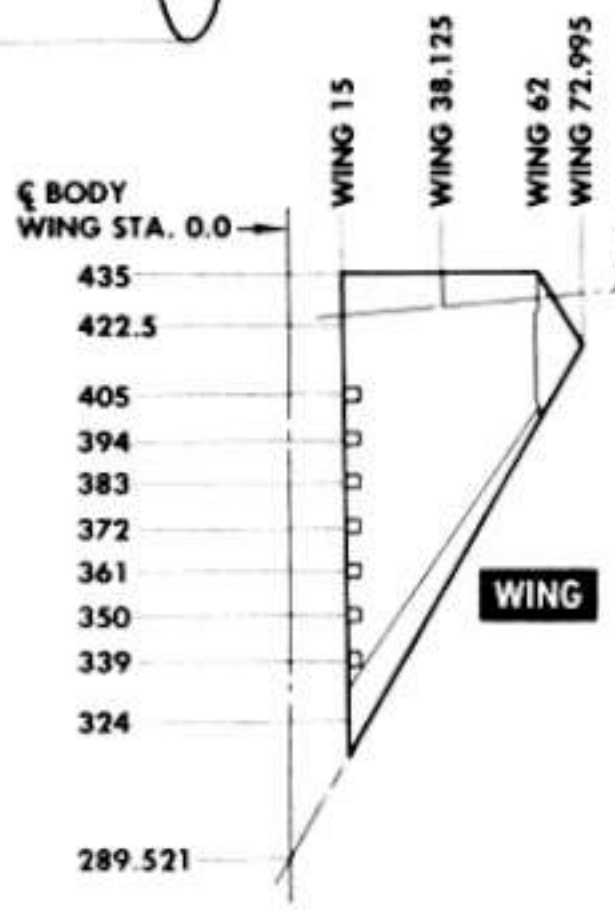
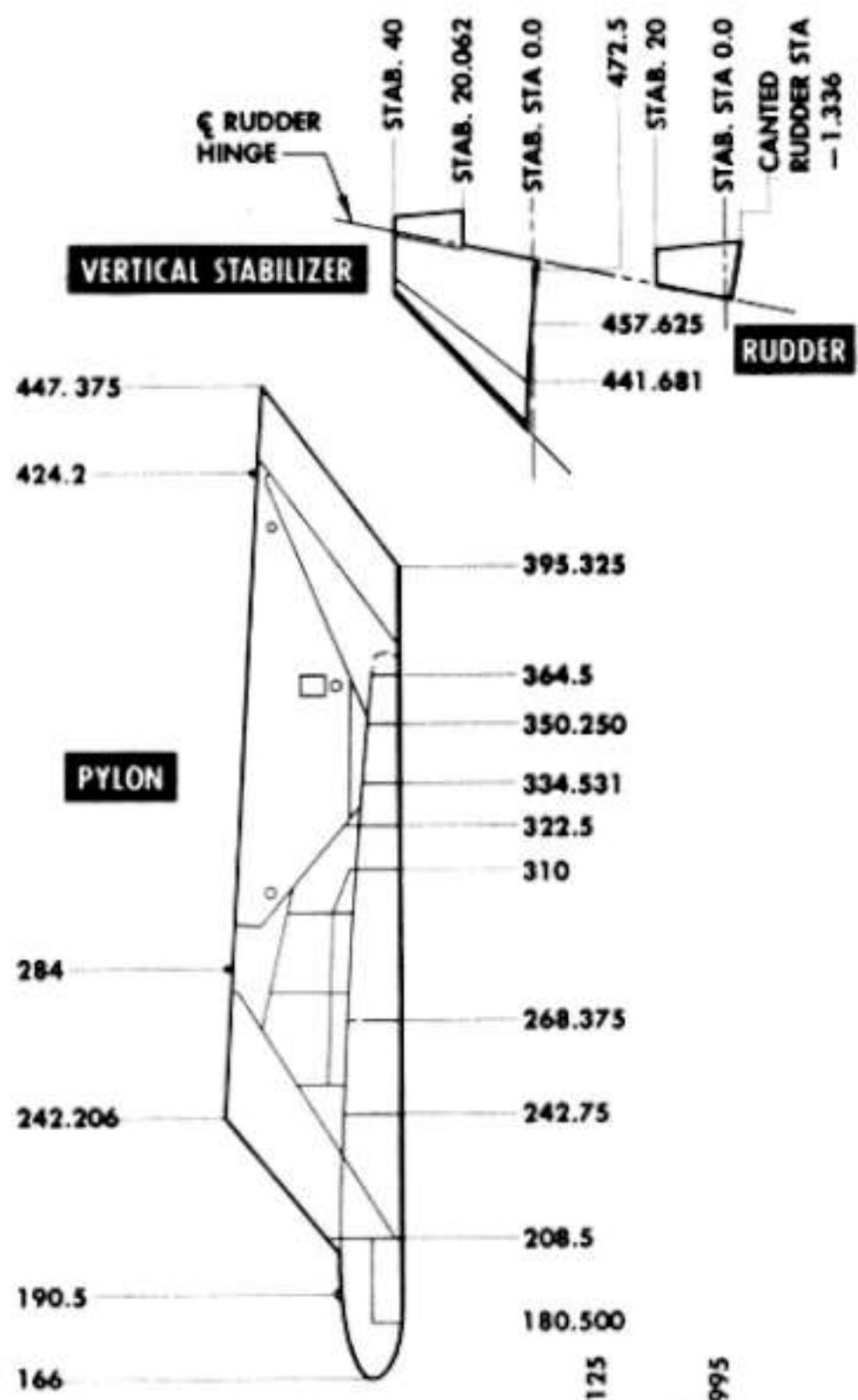
66 DIFFUSER ACCESSORY FAIRING ACCESS

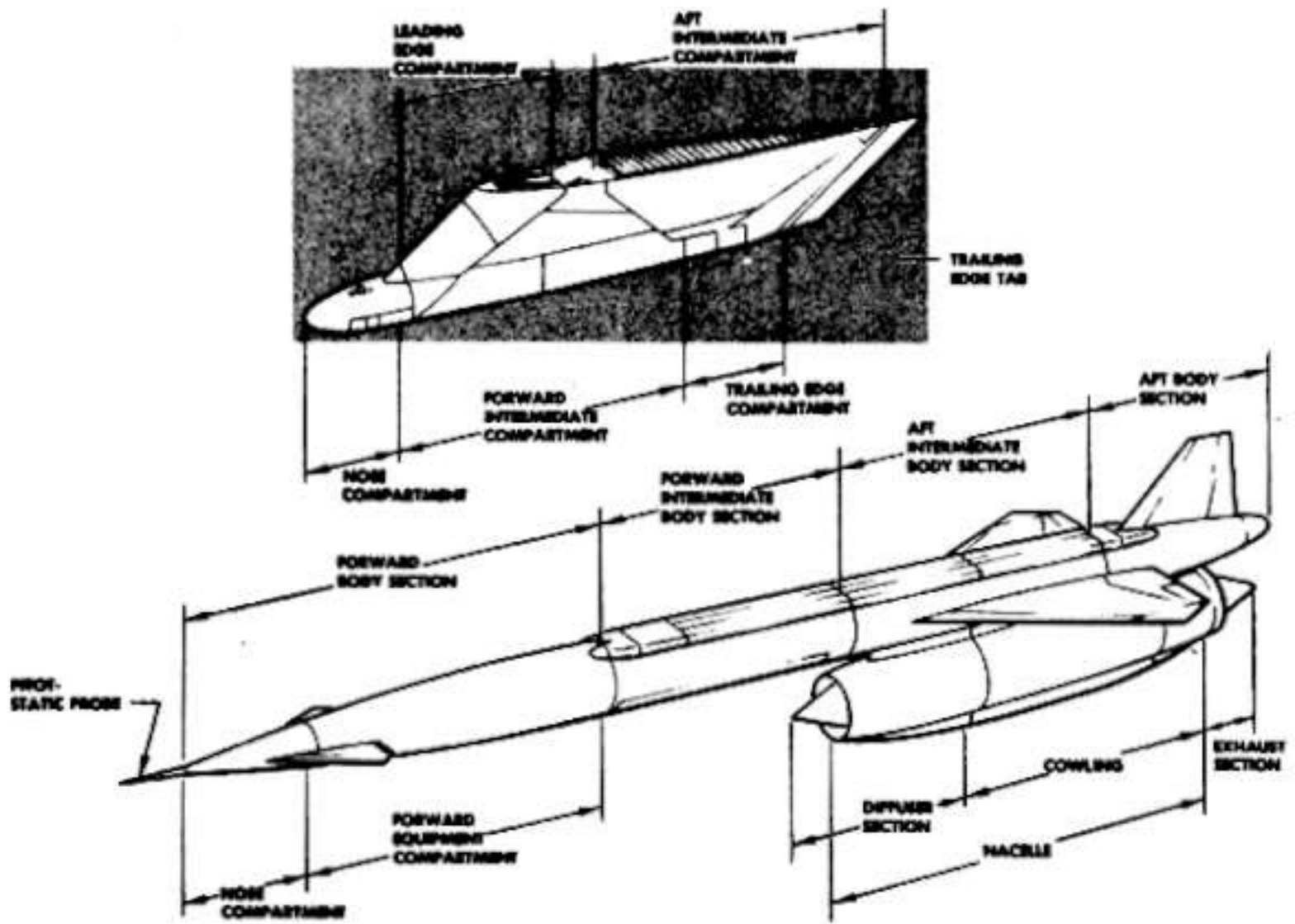
67 ATTACH FITTING ACCESS DOORS

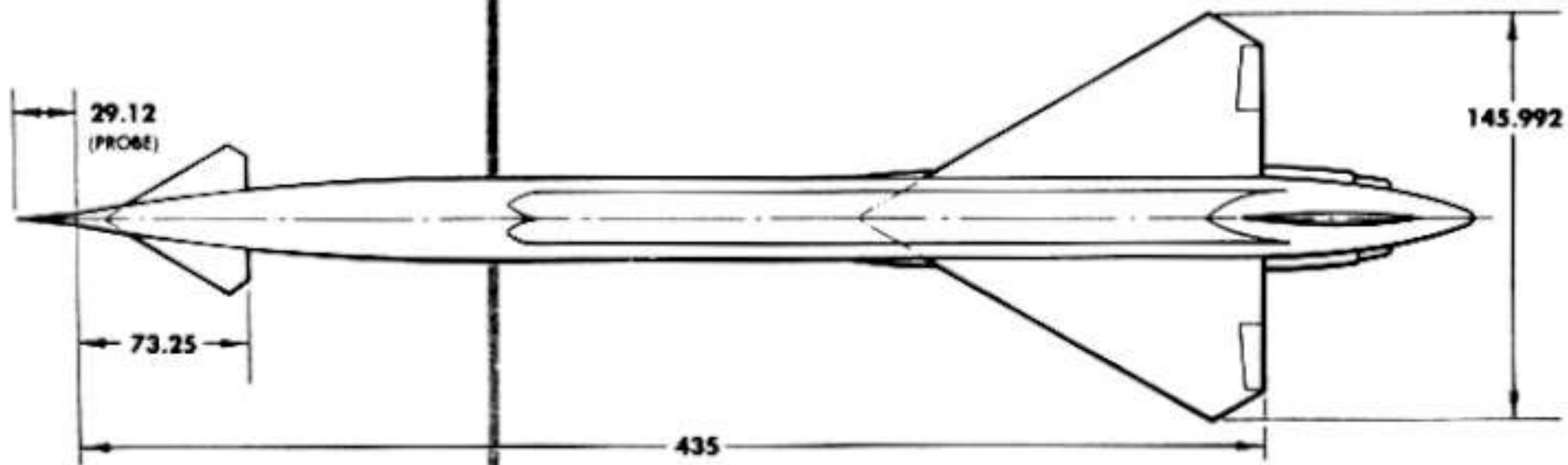
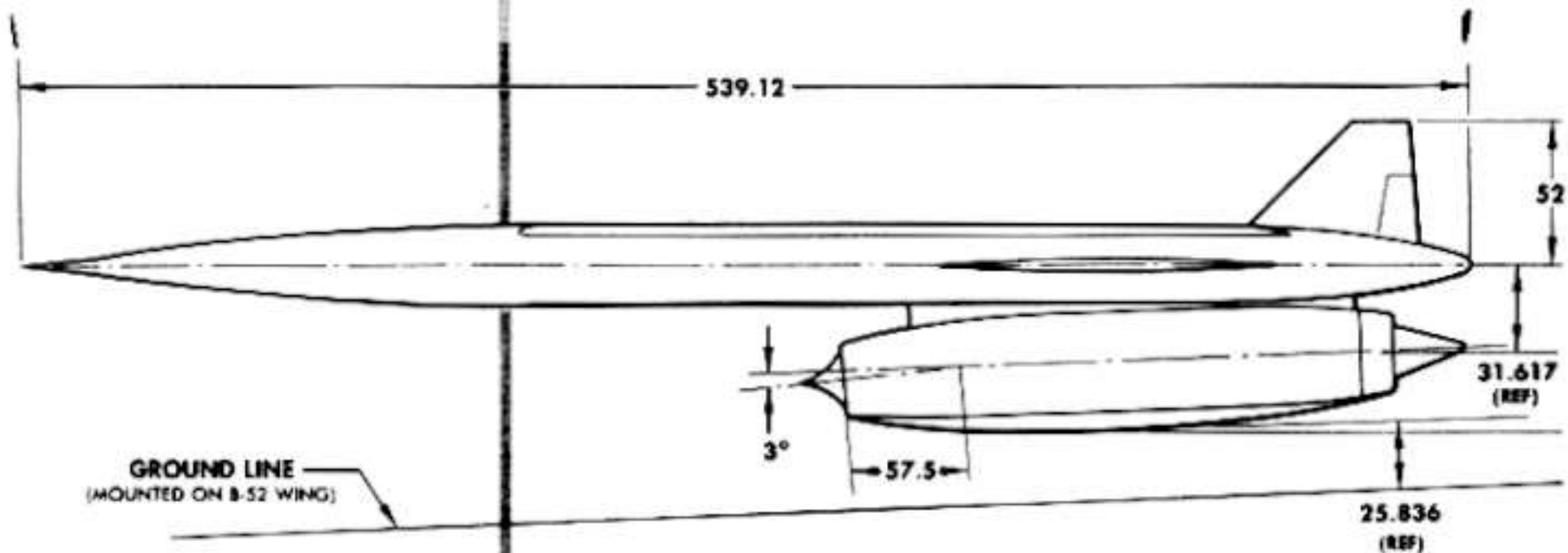
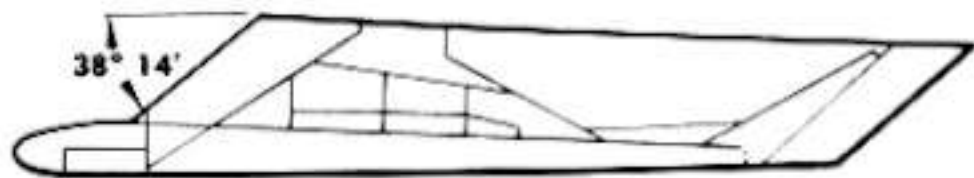
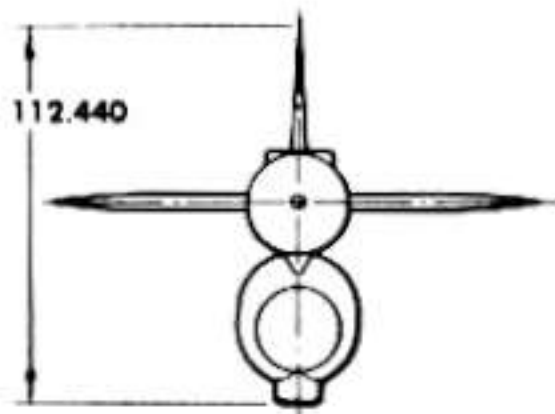
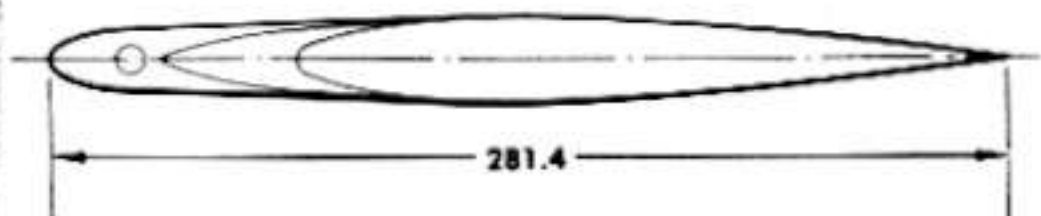
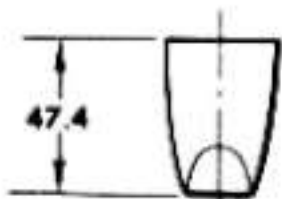
68 NOSE CONE ACCESS

69 ARM-SAFE PLUG ACCESS









FORM NO. 907 M-11