

# FT CONNECT

## Spec sheet

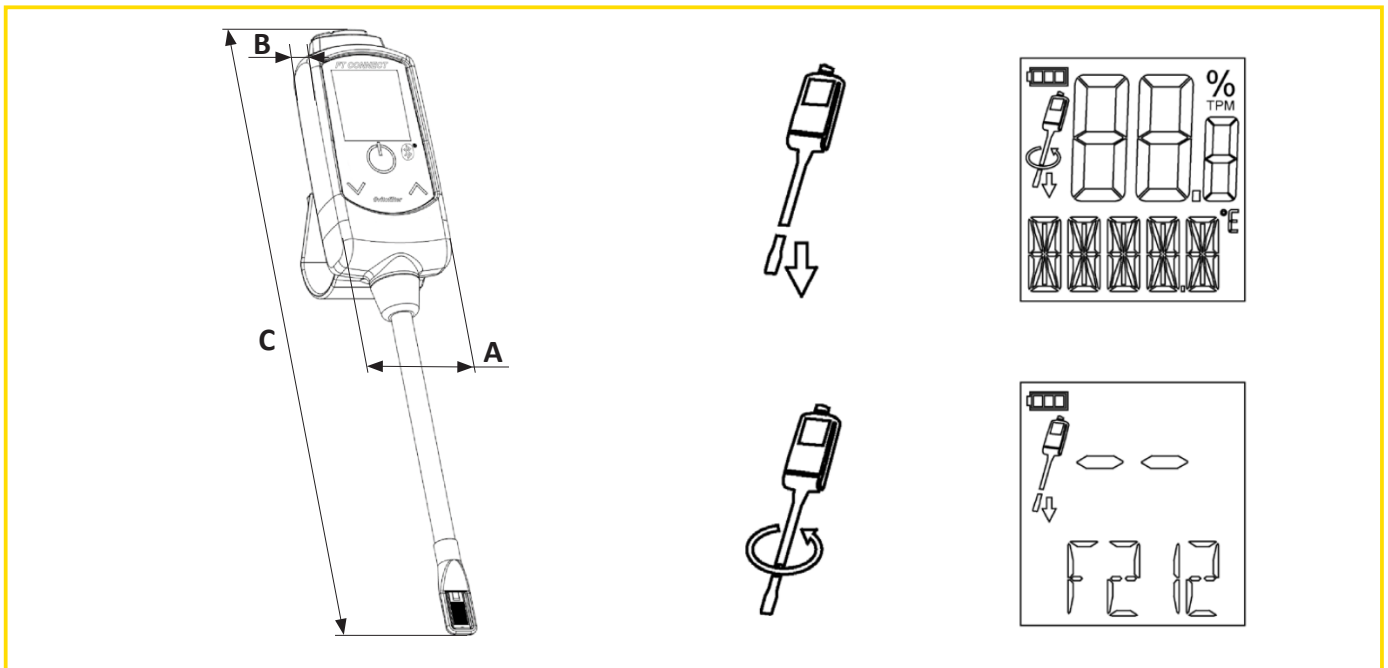


### Functionality:

FT CONNECT provides a fast, easy and reliable way to determine the quality of your frying oil. It measures the Total Polar Material (TPM) content and displays it as a percentage value. A three-colour alarm system simplifies the evaluation process by clearly indicating the oil's condition. Integrated with the VITOconnect platform, the FT CONNECT automatically creates an online HACCP list from your measured data.

### Features:

- ♣ Measures the quality and temperature of your oil
- ♣ Quick and reliable measurement
- ♣ Clear alarms via 3-coloured top alarm
- ♣ Bluetooth and Memory function
- ♣ Ergonomic and sturdy design
- ♣ Hand strap
- ♣ Robust case for storing the FT CONNECT
- ♣ High degree protection (IP 67)
- ♣ Supports HACCP standards



### FT CONNECT technical data:

Dimensions:	Width A	Depth B	Height C	Case Dimensions:	Width	Depth	Height	Weight (with case)
	54 mm 2.1 in	22 mm 0.9 in	314 mm 12.4 in		375 mm 14.8 in	71 mm 2.8 in	160 mm 6.3 in	200 g (0.8 kg) 0.44 lbs (1.76 lbs)
Parameter	Resolution	Measuring range TPM	Measuring range °C/°F	Accuracy	Battery (rechargeable)	IP format	Alarm function	Network connection
% TPM °C/°F	0.5 % TPM 0.1°C/°F	0 ... 40 % TPM	50°C ... 200°C 122°F ... 392°F	± 2.0 % TPM ± 1°C/°F	3.7V Lithium Polymer	IP 67	3-coloured traffic light function	Bluetooth 4.0 Low Energy

### Extensions & Accessories:

- ♣ VITOconnect Bridge (necessary for VITOconnect)
- ♣ Access to <https://connect.vito.ag>
- ♣ FT CONNECT Shadowboard

