

VITOconnect Bridge Spec sheet



Function:

The VITOconnect Bridge is a „Bluetooth Low Energy (BLE) to Ethernet“ adapter that serves as an interface between the FT CONNECT and the cloud. It reads the stored measurement values from the FT CONNECT and transmits them via an internet connection to the cloud. The stored measurement values in the cloud are then used to automatically generate an HACCP list on the VITOconnect platform, thereby minimizing documentation efforts.

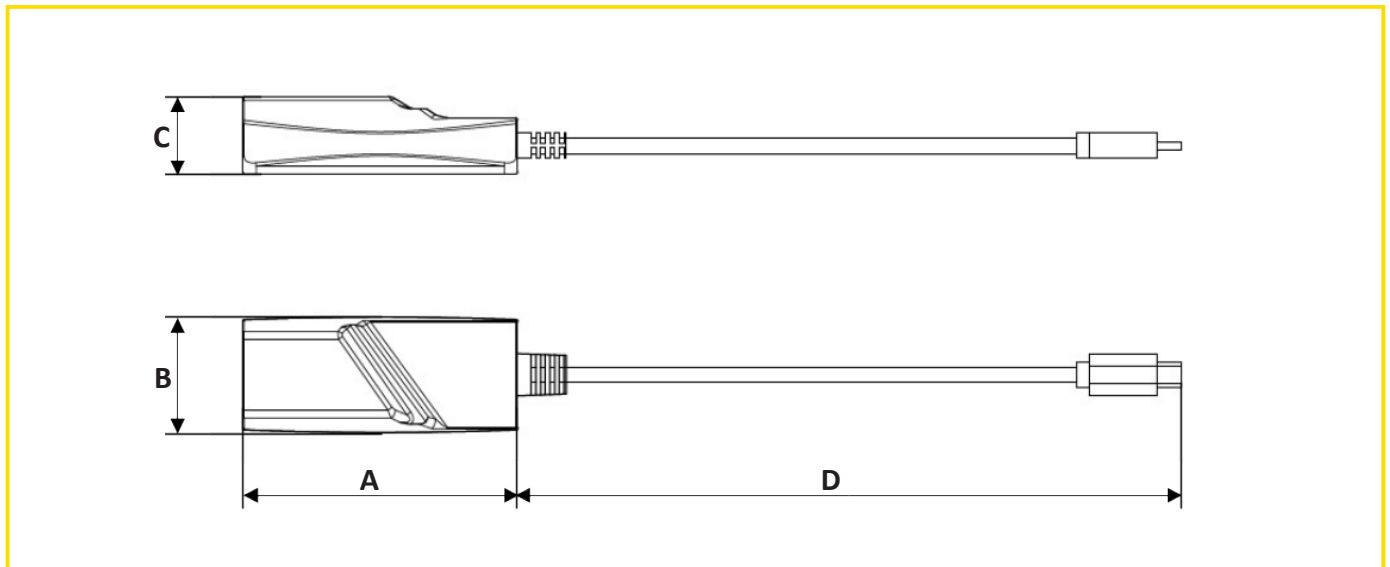


Requirements:

- ♣ Internet access required
- ♣ LAN cable required (RJ45)
- ♣ External USB C power supply required
- ♣ Installation near the FT CONNECT

Features:

- ♣ Necessary for the full functionality of FT CONNECT
- ♣ Minimizes documentation efforts
- ♣ Ensures seamless documentation
- ♣ Easy handling
- ♣ Supports HACCP standards



Technical data VITOconnect Bridge:

Dimensions:	Length A	Width B	Height C	Cable length D	Weight
	3.2 in	1.3 in	0.9 in	7.7 in	0.18 lbs
Power supply	Wireless interface	BLE range	Ethernet interface	Protection class	
USB C 5V 500mA	Bluetooth 4.2 Low Energy (BLE)	16 ft	RJ45 socket	3 Low voltage	

Extensions:

- ♣ Access to <https://connect.vito.ag>

