



T.O. 1B-26B-4

**ILLUSTRATED PARTS
BREAKDOWN**

**USAF MODEL
B-26B, B-26C, TB-26B, TB-26C,
AND
RB-26C**

**NAVY MODEL
JD-1
AIRCRAFT**

AF 42(600)-40422

**CHANGE
NOTICE**

**LATEST CHANGED PAGES SUPERSEDE
THE SAME PAGES OF PREVIOUS DATE**

*Insert changed pages into last
publication. Destroy superseded pages.*

PUBLISHED UNDER AUTHORITY OF THE SECRETARY OF THE AIR FORCE



Reproduction for nonmilitary use of the information or illustrations contained in this publication is not permitted without specific approval of the issuing service (BuAer or USAF). The policy for use of Classified Publications is established for the Air Force in AFR 205-1 and for the Navy in Navy Regulations, Article 1509.

INSERT LATEST CHANGED PAGES. DESTROY SUPERSEDED PAGES.

LIST OF EFFECTIVE PAGES

NOTE: The portion of the text affected by the changes is indicated by a vertical line in the outer margin of the page.

TOTAL NUMBER OF PAGES IN THIS PUBLICATION IS 728, CONSISTING OF THE FOLLOWING:

Page No.	Change No.	Issue	Page No.	Change No.	Issue
*Title	10	13 Oct 66	58		1 Jul 57
*A thru E	10	13 Oct 66	59		Original
i		1 Jan 58	60		1 Jul 57
ii		7 Feb 64	61 and 62		Original
iii and iv		1 Jan 58	63		1 Jul 57
v		Original	64 and 65		Original
vi Blank		Original	66		1 Jul 57
1		Original	67		1 Aug 57
2 and 2A		1 Jul 57	68		1 Jul 57
2B Blank		1 Jul 57	69 and 70		Original
3		1 Jul 57	71 and 72		1 Jul 57
4		Original	73		Original
5		1 Oct 57	74 and 75		1 Apr 58
6 thru 10		Original	76		1 Jul 57
11 and 12		1 Jul 57	77		Original
13		Original	78		1 Apr 58
14		1 Jul 57	79		1 Jul 57
15 and 16		Original	80		Original
17		1 Aug 57	81 thru 83		1 Jul 57
18		1 Jul 57	84		Original
19		15 Apr 56	85		1 Apr 58
20 thru 24		1 Jul 57	86		1 Jul 57
25		1 Aug 57	87 and 88		Original
26		Original	89 and 90		1 Jul 57
27		1 Apr 58	91 thru 95		Original
28 and 29		1 Jul 57	96		1 Jul 57
30		Original	97 and 98		Original
31 and 32		1 Jul 57	99		1 Jul 57
33 thru 36		Original	100		Original
*37	10	13 Oct 66	101 thru 103		1 Jul 57
38		1 Jul 57	104		1 Oct 57
39		Original	105 and 106		1 Jul 57
40		1 Jan 58	107		Original
41		1 Jul 57	108 and 109		1 Jul 57
42		Original	110 thru 112		1 Oct 57
43 and 44		1 Jul 57	112A		1 Oct 57
45		Original	112B Blank		1 Oct 57
46 and 47		1 Jul 57	113 thru 115		1 Jul 57
48		Original	116		1 Apr 58
*49	10	13 Oct 66	117		Original
50		1 Aug 57	118 thru 120		1 Jul 57
51		1 Jul 57	121 and 122		1 Apr 58
52		1 Aug 57	122A		1 Apr 58
*53	10	13 Oct 66	122B Blank		1 Apr 58
54 and 55		Original	123		1 Apr 58
56		1 Jul 57	124		1 Jul 57
57		1 Jan 58	125		1 Apr 58

*The asterisk indicates pages changed, added, or deleted by the current change.

ADDITIONAL COPIES OF THIS PUBLICATION MAY BE OBTAINED AS FOLLOWS:

USAF ACTIVITIES.—In accordance with T.O. 00-5-2.

USAF

NAVY ACTIVITIES.—Submit request to nearest supply point listed below, using form NavAer-140; NASD, Philadelphia, Pa.; NAS, Alameda, Calif.; NAS, Jacksonville, Fla.; NAS, Norfolk, Va.; NAS, San Diego, Calif.; NAS, Seattle, Wash.; ASD, NSC, Guam.

For listing of available material and details of distribution see Naval Aeronautics Publications Index NavAer 00-500.

Change 10 - 13 October 1966

LIST OF EFFECTIVE PAGES (Contd)

Page No.	Change No.	Issue	Page No.	Change No.	Issue
126 thru 128		Original	198		1 Aug 57
129		1 Aug 57	199		1 Jul 57
* 130	10	13 Oct 66	200		Original
131		1 Jul 57	201 and 202		1 Jul 57
132		1 Aug 57	203		Original
133		1 Jul 57	204		1 Jul 57
134		Original	* 205	10	13 Oct 66
135		1 Jul 57	206		1 Jul 57
136		Original	207		Original
137 and 138		1 Jul 57	208		1 Aug 57
139		1 Jan 58	209		1 Jul 57
140		1 Jul 57	210		Original
141		Original	211		1 Aug 57
142 and 143		1 Aug 57	212		1 Jul 57
144		1 Oct 57	213		Original
145		1 Jan 58	214		1 Jul 57
146		1 Oct 57	215		1 Aug 57
147		1 Jan 58	216		Original
148		1 Jul 57	217 and 218		1 Aug 57
149 thru 152		1 Jan 58	219		Original
153 and 154		1 Jul 57	220		1 Aug 57
155		Original	221		1 Jul 57
156 and 157		1 Jul 57	222		1 Aug 57
158		Original	223		Original
159		1 Jul 57	224		1 Jul 57
160		1 Oct 57	225 and 226		Original
161		1 Jul 57	227		1 Apr 58
162 and 163		1 Jan 58	228 thru 228B		7 Feb 64
164 and 165		1 Aug 57	229 and 230		1 Oct 57
166		Original	231		Original
167		1 Jan 58	232		1 Aug 57
168		1 Jul 57	233		Original
169 and 170		Original	234		1 Aug 57
171		1 Jul 57	235		1 Jul 57
172		1 Aug 57	236 and 237		Original
173 thru 177		Original	238		1 Aug 57
178		1 Aug 57	239		1 Jul 57
179		1 Jul 57	240		Original
180		1 Jan 58	241		1 Jul 57
181		1 Aug 57	242 thru 244		1 Aug 57
182		Original	245		Original
183 and 184		1 Oct 57	246		1 Aug 57
185		Original	247		1 Jul 57
186		1 Oct 57	248		Original
187		1 Aug 57	249		1 Aug 57
188		1 Jul 57	250		1 Apr 58
189		1 Aug 57	251		1 Aug 57
190 and 191		Original	252		Original
192		1 Aug 57	253 thru 255		1 Aug 57
193		1 Jul 57	256		Original
194 and 194A		20 Oct 64	257		1 Aug 57
194B		20 Oct 64	258		1 Jul 57
195 and 196		1 Jul 57	259		1 Aug 57
197		Original			

*The asterisk indicates pages changed, added, or deleted by the current change.

LIST OF EFFECTIVE PAGES (Contd)

Page No.	Change No.	Issue	Page No.	Change No.	Issue
260		Original	335		1 Aug 57
261		1 Jul 57	336		Original
262		Original	337		1 Jul 57
263		1 Jul 57	338		1 Aug 57
264		1 Aug 57	339		1 Apr 58
265		1 Oct 57	340		Original
266		1 Aug 57	341		1 Aug 57
267		Original	342		Original
268		1 Jul 57	343		1 Jul 57
269		Original	344		1 Aug 57
270		1 Aug 57	345 thru 347		Original
271		1 Jul 57	348		1 Jan 58
272		Original	349 and 350		1 Aug 57
273 thru 275		1 Aug 57	351		1 Jan 58
276		1 Jul 57	352		Original
277 thru 279		1 Oct 57	353		15 Jul 56
280 and 281		Original	354		1 Jul 57
282 thru 284		1 Jul 57	355		1 Aug 57
285 thru 290		Original	356		1 Oct 57
291 and 292		1 Jul 57	357		1 Aug 57
293 and 294		Original	358		Original
295 and 296		1 Jul 57	359		1 Aug 57
297 and 298		Original	360 and 361		1 Jul 57
299		1 Jul 57	362 thru 364		1 Oct 57
300		1 Aug 57	365 thru 367		1 Aug 57
301		Original	368		Original
302		1 Jul 57	369		1 Jul 57
303		1 Aug 57	370		1 Aug 57
304		Original	371		Original
305		1 Aug 57	372 and 373		1 Aug 57
306		Original	374		Original
307		1 Jul 57	375		1 Aug 57
308		Original	376		Original
309		1 Jan 58	377 thru 380		1 Oct 57
310 and 311		1 Jul 57	380A		1 Oct 57
312 and 313		1 Aug 57	380B Blank		1 Oct 57
314		1 Apr 58	381		1 Aug 57
315		Original	382		Original
316		1 Jul 57	383		1 Aug 57
317		1 Aug 57	384		1 Oct 57
318		Original	385		Original
319 and 320		1 Aug 57	386		1 Aug 57
321 and 322		Original	387		Original
323 and 324		1 Jul 57	388		1 Jul 57
325		Original	389 thru 391		Original
326 and 327		1 Jul 57	392		1 Jul 57
328		Original	393 and 394		1 Apr 58
329		1 Aug 57	395		Original
330		1 Jul 57	396		1 Aug 57
331		1 Aug 57	397 and 398		1 Apr 58
332		1 Jul 57	399		1 Jan 58
333		1 Aug 57	400		1 Oct 57
334		Original	401		1 Jul 57

*The asterisk indicates pages changed, added, or deleted by the current change.

LIST OF EFFECTIVE PAGES (Contd)

Page No.	Change No.	Issue	Page No.	Change No.	Issue
402 thru 404		Original	478A		1 Oct 57
405		1 Apr 58	478B Blank		1 Oct 57
406		Original	479		1 Oct 57
407		1 Aug 57	480		Original
408 thru 410		Original	481 thru 483		1 Oct 57
*411 and 412	10	13 Oct 66	484 thru 490		Original
413		1 Jul 57	491		1 Jul 57
414		1 Aug 57	492		Original
415 and 416		1 Jan 58	493		1 Jan 58
417		1 Jul 57	494		1 Jul 57
418		Original	495		Original
419		1 Jul 57	496 thru 498		1 Jul 57
420		1 Jan 58	499		1 Jan 58
421 and 422		Original	500		Original
423		1 Aug 57	501		1 Jul 57
424		1 Jul 57	502		Original
425		Original	503		1 Jul 57
426		1 Jan 58	504 and 505		Original
427		1 Aug 57	506 thru 508		1 Jul 57
428		1 Jul 57	509 and 510		Original
429		Original	511		1 Jan 58
430		1 Jul 57	512 thru 514		Original
431		1 Aug 57	515 and 516		1 Jul 57
432 and 433		Original	517		Original
434		1 Jul 57	518		1 Jan 58
435		1 Jan 58	519 thru 522		Original
436		Original	523 and 524		1 Jan 58
437 and 438		1 Aug 57	525 thru 527		Original
439		1 Jul 57	528		1 Jul 57
440		Original	529		1 Jan 58
441		1 Aug 57	530		1 Jul 57
442		Original	531		1 Jan 58
443		1 Jul 57	532		1 Jul 57
444		1 Jan 58	533		Original
445		13 Dec 62	534		1 Jul 57
446		1 Jan 58	535 thru 541		Original
447		1 Jul 57	542		1 Apr 58
448		1 Aug 57	543		1 Oct 57
449 thru 451		1 Jul 57	544		1 Jul 57
452		Original	544A		20 Oct 64
453		1 Jul 57	544B Blank		20 Oct 64
454 and 455		Original	545		20 Oct 64
456 thru 458		1 Jul 57	*546	10	13 Oct 66
459		Original	547		1 Jan 58
460 thru 465		1 Oct 57	548 thru 550		1 Apr 58
466 and 467		1 Jan 58	551		1 Jan 58
468		Original	552		1 Apr 58
469 thru 474		1 Oct 57	553 and 554		1 Jan 58
474A thru 474C		1 Oct 57	555		1 Oct 57
474D Blank		1 Oct 57	*556	10	13 Oct 66
475		1 Oct 57	557		1 Jan 58
476		Original	558		1 Oct 57
477 and 478		1 Oct 57	559		1 Apr 58
			560		20 Oct 64

*The asterisk indicates pages changed, added, or deleted by the current change.

LIST OF EFFECTIVE PAGES (Contd)

Page No.	Change No.	Issue	Page No.	Change No.	Issue
*561	10	13 Oct 66	617		1 Jul 57
562 and 563		1 Oct 57	*618	10	13 Oct 66
564 and 564A		20 Oct 64	619		1 Oct 57
564 B Blank		20 Oct 64	620		1 Apr 58
565		1 Oct 57	621 and 622		1 Jul 57
566		1 Jan 58	623		1 Jan 58
567		1 Oct 57	624		1 Jul 57
*568 and 568A	10	13 Oct 66	*625	10	13 Oct 66
*568B Blank	10	13 Oct 66	626		1 Oct 57
569		1 Jan 58	627 and 628		1 Jul 57
570		1 Oct 57	629		1 Apr 58
*571	10	13 Oct 66	630 and 630A		20 Oct 64
572		1 Oct 57	630B Blank		20 Oct 64
573		1 Jan 58	631		1 Aug 57
574		1 Aug 57	632 and 633		20 Oct 64
575		1 Apr 58	634 and 635		1 Jul 57
576		1 Jan 58	636 and 636A		1 Apr 58
577 and 578		1 Oct 57	636B Blank		1 Apr 58
578A		1 Oct 57	637		1 Oct 57
578B Blank		1 Oct 57	638 and 638A		1 Jan 58
579 and 580		1 Jul 57	638B Blank		1 Jan 58
*581	10	13 Oct 66	639		1 Jul 57
582 and 583		1 Jul 57	640 and 641		20 Oct 64
584 and 585		1 Oct 57	642		1 Jul 57
586		1 Jan 58	643		20 Oct 64
587 and 588		20 Oct 64	644		1 Jan 58
588A		20 Oct 64	645		1 Jul 57
588B Blank		20 Oct 64	646		20 Oct 64
589		1 Jan 58	647 thru 650		1 Jul 57
590 and 591		1 Jul 57	651		1 Oct 57
592		1 Oct 57	652		1 Jan 58
593		1 Apr 58	653		1 Jul 57
594		1 Oct 57	654		1 Oct 57
*595	10	13 Oct 66	655		1 Jul 57
*596 and 596A	10	13 Oct 66	*656	10	13 Oct 66
*596B Blank	10	13 Oct 66	657		1 Oct 57
597		1 Apr 58	658		1 Jul 57
*598	10	13 Oct 66	659 and 660		20 Oct 64
599 and 600		20 Oct 64	661		1 Oct 57
601		1 Oct 57	662 thru 665		1 Jul 57
602		20 Oct 64	666		1 Oct 57
603		1 Aug 57	667		1 Jul 57
604		20 Oct 64	668		1 Oct 57
605 and 606		1 Jan 58	669		20 Oct 64
*607	10	13 Oct 66	670		1 Jan 58
608		1 Oct 57	671		1 Oct 57
609		1 Jan 58	672 thru 675		1 Jul 57
610 thru 612		20 Oct 64	*676	10	13 Oct 66
613		1 Apr 58	676A and 676B		20 Oct 64
614		1 Jul 57	677		1 Jan 58
614A		20 Oct 64	678		1 Oct 57
614B Blank		20 Oct 64			
615		20 Oct 64			
616		1 Oct 57			

*The asterisk indicates pages changed, added, or deleted by the current change.

TABLE OF CONTENTS

	<i>Page</i>
SECTION I - INTRODUCTION	1
Usage Guide	2A
Vendors' Names and Addresses	4
Major Assembly Breakdown	8
SECTION II - GROUP ASSEMBLY PARTS LIST	9
WING GROUP	10
LH and RH Wing Installation	10
Complete Wing Structure	15
Wing to Fuselage Filler and Inboard Trailing Edge Structure	16
Aileron and Wing Structure Panel Assembly	19
Wing Panel LH and RH Structure Assembly	23
Nacelle Structure Assembly and Door Assembly	26
Wing LH and RH Flap Installation (Outboard)	30
Wing LH and RH Flap Installation (Inboard)	36
Wing LH and RH Fuel System Installation	39
Wing LH and RH Fuel System Installation	42
Wing Fuel System Control Installation and Main, Nacelle and Wing Fuel Selector Valve Assembly	45
Wing LH and RH Oil System Installation	48
Wing LH and RH Hydraulic Installation	54
Wing LH and RH Instrument Installation	59
Wing LH and RH Fire Extinguisher System Installation	62
Wing Flight LH and RH Control Installation	65
Wing Flight LH and RH Control Installation	70
Wing, Engine and Propeller LH Control Installation	73
Wing, Engine and Propeller RH Control Installation	77
Wing, Engine and Propeller LH Control Installation	80
Wing, Engine and Propeller RH Control Installation	84
Wing Flap Operating LH and RH Mechanism Installation	88
Fuel System Wing LH and RH Heat and Vent Installation	91
Wing Heat and Vent Fuel System Installation	93
Wing Ice Elimination LH and RH Equipment Installation	95
Internal Wing Gun LH and RH Provisions Installation	98
Wing Fixed Gun LH and RH Ammunition Box and Gun Support Installation	100
Wing Bomb Rack Provisions Installation	102
Wing LH and RH Electrical Installation	102D
Electrical System Details	107
Electrical System Details	110
Trailing Edge Outboard LH and RH Structure Installation	113
Wing Panel Outboard LH and RH Structure Assembly	117
Wing Fixed Gun LH and RH Pneumatic System Installation	119
Wing Panel Assembly and Wing Gun Access Door Assembly	121
Nacelle and Wing Fuel Container Installation	124
Wing Droppable Fuel Tank Displacement Strut Socket Installation	126
EMPENNAGE GROUP	128
Empennage Installation	128
Elevator and Rudder Trim Tab Mechanism Installation	134

TABLE OF CONTENTS (Cont)

	<i>Page</i>
FUSELAGE GROUP	136
Complete Fuselage Assembly	136
Fuselage Main Structure Assembly	138
All Purpose Gun Nose Installation	141
Fuselage Furnishings and Fire Extinguisher Installation.....	144
Pilot's Seat Installation	148
Forward Gunner's Seat Installation.....	149
Improved Crew Escape Kit Installation.....	151
Navigator's Seat Installation	153
Nose Wheel Door Installation.....	155
Bombardier Nose Installation.....	159
Bombardier Nose Radio System and Furnishings Installation.....	162
Bombardier Nose Instrument Installation	164
Bombardier Nose Access Door Installation	166
Bombardier Jettisonable Door Modification	169
Bombardier Electrical and Instrument System	171
Bombardier Table and Seat Installation	173
Navigator Table, Headset Hanger and Interphone Stop	174
Instrument System Installation.....	176
Pilot's Instrument Panel Installation	182
Instrument System Modification and Installation	185
Pilot's Cockpit Enclosure Installation.....	187
Pilot's Cockpit Enclosure Installation.....	191
Pilot's Enclosure Doors	194
Pilot's Enclosure Doors	197
Pilot's Cockpit Enclosure Door Mechanism Installation	200
Pilot's Cockpit Enclosure Door Mechanism Installation	203
Pilot's Cockpit Windshield and Dome Glass Installation	206
Pilot's Cockpit Enclosure Installation.....	207
Pilot's Sliding Window and Instrument Panel Shield	210
Pilot's Access Door Assembly	213
Fuselage Section Flap Operating Mechanism Installation	216
Bomb Bay Doors and Operating Mechanism Installation.....	219
Bomb Bay Spoiler Installation	221
Fuselage Tunnel and Access Camera Doors Installation.....	223
Gunner's Escape and Camera Doors	226
Fuselage Section Photographic Equipment Installation	228B
Sighting Station Periscope Anti-icing Fluid Tank and Support Installation	229
Fuselage Aft Section Tail Cone and Structure Assembly.....	231
Fuselage Section Flight Controls Installation.....	233
Fuselage Section Flight Controls Installation.....	237
Pilot's Control Column Installation.....	240
Pilot's Rudder Pedal and Brake Installation	242
Pedestal Control Installation	245
Engine Pedestal Control Assembly	248
Engine Pedestal Control Assembly	252
Engine Pedestal Control Assembly	256
Control Assembly Details	260
Upper and Lower Pedestal Control and Pulley Bracket Installation	262
Fuselage Aft Section Flight Control Installation	267
Fuselage Sta 474 Flight Control Installation.....	269

TABLE OF CONTENTS (Cont)

	<i>Page</i>
Automatic Pilot Installation	272
Fuselage Forward Section Hydraulics Installation	277
Fuselage Hydraulic Equipment Installation	280
Hydraulic Equipment Details	286
Fuselage Section Emergency Hydraulic System Installation	287
Fuselage Aft Section Forward Hydraulic Installation	294
Fuselage Aft Section Hydraulic Installation	298
Fuselage Aft Section Hydraulic Installation	301
Fuselage Aft Section Hydraulic Installation	305
Bomb Bay Door Forward and Aft Actuating Cylinder Assembly	306
Fuselage Fixed Fuel System Installation	308
Bomb Bay Tank Installation	310
Bomb Bay Ferry Tank Installation	313
Heat and Vent System Complete	315
Fuselage Section Forward Heat and Vent System Installation	318
Heat and Vent System Forward and Recirculating Control Installation	322
Fuselage Aft Section Heat and Vent System Installation	325
Heat and Vent System Fuselage Kit Assembly	328
Heat and Vent System Kit Assembly Details	332
Bombardier Nose Heat and Vent System	334
Forward Section Heat and Vent System Provisions	336
Aft Section Heat and Vent System Provisions	340
Heat and Vent System Provisions Details	342
Patch and Cover Heat and Vent System Installation	344
Aft Cold Air Scoop and Lower Turret Cover Installation	345
Fuselage Forward Section Electrical Installation	347
Fuselage Section Electrical Installation	353
Control Pedestal Electrical Installation	358
Electrical System Details	362
Pilot's Electrical and Auxiliary Control Panel Installation	365
Pilot's Main Electrical Panel Installation	368
Pilot's Main Electrical Panel Installation	371
Bombardier Nose Electrical Installation	374
Electrical System Details	377
Pilot Electrical Auxiliary Panel and Step Support Installation	380
Aft Section Electrical and Instrument Systems	381
Pilot Instrument Panel Electrical Installation	382
Bombardier Circuit Breaker Panel and PU-7/AP Motor Generator Inverter Installation	384
Bombardier Circuit Breaker Guard and Panel Installation	385
Distribution Panel Modification and AC Power Shield Installation	387
Circuit Breaker and Switch Panel Installation	389
Radio Disconnect Bracket, Salvo Switch and Power Receptacle Installation	391
Electrical System Installation	393
Electrical System Modification Installation	395
Electrical System Modification	397
Electrical System Modification	399
Electrical System Modification	401
Fluxgate Compass Motor and Transmitter Installation	402
Gyro Fluxgate Compass Amplifier Installation	404
Complete Oxygen System Installation	405
Oxygen System Regulators	406

TABLE OF CONTENTS (Cont)

	<i>Page</i>
Oxygen System, Filler Valve and Cylinder.....	408
Gunner Enclosure Installation	410
ALIGHTING GEAR GROUP	413
Main Landing Gear Installation	413
Main Landing Gear Actuating Cylinder Assembly	417
Nose Wheel Gear Installation	418
Nose Wheel Retracting Mechanism Assembly and Actuating Cylinder Assembly	421
Nose Wheel Snubber Assembly	423
POWER PLANT GROUP	425
Propeller and Demountable Power Plant Installation	425
Engine, Accessories and Exhaust Stack Installation	428
Engine Mount and Fire Seal	429
Carburetor Air Induction System Installation	431
Cowl Flap and Antidrag Ring Support Installation	433
Complete Nonram Antidrag Ring Assembly	436
Nonram Carburetor Air Filter Electrical Control Kit Installation	440
Cowl Flap Operating Mechanism Installation.....	442
Power Plant Fuel System Installation.....	445
Power Plant Oil System Installation	446
Power Plant Electrical Installation.....	447
Power Plant Instrument Installation	449
Power Plant and Propeller Hydraulic and Hydromatic Installation.....	451
Power Plant Section Engine and Propeller Nonram Control Installation	452
Power Plant Section Engine and Propeller Controls Installation	455
Heat and Vent, Ice Elimination and Fire Extinguisher Installation	457
ELECTRONICS GROUP	459
Radar System Installation, AN/APN-3	459
Radio Equipment Installation, AN/APN-9.....	462
Radio Installation, BC-453-B	463
Radio System Installation, RC-103-A	464
Radio Equipment Installation, AN/AIC-2	466
Radio Set Kit Installation, AN/ARC-27	468
Radio Equipment Installation, AN/ARC-3	470
Radio Equipment Kit Installation, RC-193-A.....	472
Radio Equipment Installation AN/ARN-12	473
Navigation and Instrument Landing System Equipment Installation, AN/ARN-14 and AN/ARN-18.....	474
Radio Compass Installation, AN/ARN-7	474C
Radio System Installation, AN/APN-1.....	476
Emergency Keyer Control Installation, AN/ARA-26	478
Radar System Installation, AN/APX-6.....	478A
Radio Homing Antenna System Installation, AN/ARA-8.....	480
ARMAMENT GROUP	482
Armament Installation	482
Bombing Equipment Installation.....	484
Fixed Cannon and Provisions Installation	487
Pyrotechnics and Bomb Bay Boresighting Fixture Installation.....	490
External Wing Fixed Guns Installation	492
Internal Wing Fixed Guns Installation.....	495
Fuselage Pneumatic Gun Charging Equipment Installation	497

TABLE OF CONTENTS (Cont)

	<i>Page</i>
External Wing Gun Pneumatic Charger Equipment Installation	498
External Wing Gun LH Pneumatic Charger Installation	500
Upper and Lower Turret Installation	502
Sighting Station Installation	505
Pilot's Gun and Bombsights Installation	508
External Wing Guns Details	509
Demolition Bomb Rack Installation	512
Eight Caliber .50 Gun Nose Assembly	514
Fixed Gun Nose Installation	517
Zero Rail Rocket Launching Installation	519
Complete 37MM Gun LH and RH Mount Assembly	520
Gun Nose Ammunition Box, Track Hoist and 37 MM Cannon Kit Installation	522
Wing Bomb Rack Installation	526
Bomb Hoist Installation	527
Fuselage Armor Plate Installation	530
Upper Turret Dynamotor and Amplidynes Installation	533
Torpedo Alternate Provision Installation	535
Torpedo Alternate Kit Assembly	538
Service Tools	539
 SECTION III – NUMERICAL INDEX	 541

SECTION I

INTRODUCTION

1-1. GENERAL.

1-2. This handbook has been prepared by Hayes Aircraft Corp, Birmingham, Alabama, to assist Air Force personnel in identifying and ordering procurable spare parts for the B-26B, B-26C, TB-26B, TB-26C, and RB-26C model aircraft manufactured by Douglas Aircraft Corp. The handbook is divided into three sections as shown in the Table of Contents.

1-3. The Table of Contents at the front of the handbook shows the method of grouping the parts and the sequence of the groups.

1-4. GROUP ASSEMBLY PARTS LIST.

1-5. The Group Assembly Parts List (Section II) consist of the complete aircraft divided into seven main groups, as shown in the Table of Contents. Each installation, assembly and part listed is followed immediately by its component parts properly indented to show their relationship to the installation, assembly or part. Component parts of the complete aircraft which are not included in any assembly, but are used in conjunction with, attach or attach to a certain assembly, are listed either preceding the first detail or following the last detail of that assembly and in line with the major assembly. The index numbers are numerically arranged in the Group Assembly Parts List and are used mainly to assist in locating a part in the Group Assembly Parts List after it has been found in the Numerical Index.

1-6. Part numbers are used exclusively to identify parts.

1-7. The Description column lists the nomenclature for installations, assemblies, parts (plus any descriptive information necessary to identify the part completely) and, in parentheses, the vendor's codes which are crossed referenced to vendor's names and addresses. The assembly order is maintained by a system of indention of the installation, assembly and part titles. By this method, an assembly listed in column one will have its component details listed in column two and, in turn, if a component detail is also an assembly, its component details will be listed in column three, etc. In this manner it is possible

to determine the parts that will be received if an assembly is ordered. Attaching parts such as bolts, screws, washers, nuts, etc, are listed in the same column and immediately following the parts they attach.

1-8. The quantities listed in the Units Per Assy column of the Group Assembly Parts List are, in the cases of sub-assemblies or assemblies, the quantity for one assembly or the quantity to attach one assembly or part. The quantities specified, therefore, are not necessarily the total used per aircraft. Refer to the Numerical Index (Section III) for the total used per aircraft.

1-9. The Usable On Code column contains the code letter or letters, used to identify certain groups of aircraft for which a part is used. Each code is listed and explained at the end of each parts listing in which it is used. Codes are consolidated. Example: Codes A, B and C will be listed A-C; codes A and B will be listed A,B. When a part is used on all aircraft the Usable On Code column will be left blank.

1-10. NUMERICAL INDEX.

1-11. The Numerical Index (Section III) is compiled in accordance with the numerical part number filing system described as follows:

a. Part number numerical arrangement starts on the left-hand column and continues from left to right, one digit at a time, until a part number numerical arrangement is determined.

b. The order of precedence in part number numerical arrangement is as follows:

- (1) Space (blank column).
- (2) Dash (-).
- (3) Letters A thru Z.
- (4) Numerals 0 thru 9.

c. Alphabetical 0's shall be considered as numerical zeros.

d. Parts without part numbers are listed by name in alphabetical sequence at the beginning of the index.

1-12. STOCK NUMBERS.

a. Section III contains a new format arranged to accommodate the various kinds of stock numbers used to identify AF items of supply. The class code column will contain the AF Class Code, the Federal Supply Classification (FSC) Code, or the Converted-In-Place (CIP) Code. The majority of the items, both in the AF part and serial numbered classes are being converted to Federal stock numbers. In the normal change-over, the converted item will be identified by a Federal Stock Number i.e., (3110-173-5075), which consists of an FSC Code (3110) and the FIIN (173-5075). CIP items will be identified with a CIP stock number, i.e., 1ADK-1560-122-0899. The Federal Stock Number portion (1560-122-0899) will appear in the FIIN or serial number column as an interim control number pending final conversion to the USAF Federal Supply Group Stock List.

b. Section III is not intended to replace the supply catalog, but the stock numbers are published to preclude the necessity for exhaustive research and are to be verified in the applicable catalogs and/or stock lists prior to utilization on requisitions, shipping, recording, and reporting documents. If the stock number of the listed item is not published in the Numerical Index, reference should be made to the S-00-1 Master Cross-Reference Index.

1-13. SOURCE CODING - Source coding as applied to the numerical index is assigned by Department representatives.

1-14. SOURCE CODE DEFINITIONS:

a. CODE "P" - PARTS UNDER INVENTORY STOCK CONTROL:

(1) CODE "P" is applied to parts which are procured in view of relatively high usage. Code "P" parts may be requisitioned and installed by any maintenance level, unless followed by the letter "O", which restricts requisition and replacement to Depot (O&R) level only. Restricted service manufacture is considered practicable but only after an attempt has been made to procure from Supply Sources. In lieu of Procurement of "P" Coded parts, the Department may designate a Depot (O&R) level activity to manufacture supply requirements for the Program.

(2) CODE "P1" is applied to parts which are very difficult or uneconomical to manufacture. Service manufacture is considered impracticable. Code "P1" parts may be requisitioned and installed by any maintenance level, unless followed by the letter "O", which restricts requisition and replacement to Depot (O&R) level only.

b. CODE "M" MANUFACTURE - PARTS NOT PROCURED:

(1) CODE "M" is applied to parts which are within the facilities of any activity to manufacture. Procurement and stocking are not justified in view of the relatively low usage, or storage and installation factors, of these parts. Needs are to be met by local manufacture as required.

(2) CODE "M1" is applied to parts which can be manufactured only by utilizing the facilities of the Depot (O&R) activity. Procurement and stocking of these parts are not justified in view of their relatively low usage and installation factors. The needs of all activities are to be met through salvage, or by Depot (O&R) level manufacture.

c. CODE "A" ASSEMBLE - ASSEMBLY NOT PROCURED:

(1) CODE "A" is applied to assemblies made up of two or more units each of which carries individual part numbers and description, and which may be assembled by any Maintenance level.

(2) CODE "A1" is applied to assemblies made up of two or more parts each of which carries individual part numbers and description, and which may be assembled only by activities having Depot (O&R) facilities.

d. CODE "X" PARTS CONSIDERED IMPRACTICABLE FOR MANUFACTURE OR PROCUREMENT:

(1) CODE "X" is applied to Main Structural Members of similar parts which, if required, would suggest extensive aircraft or equipment reconditioning. The need of a part, or parts, coded "X" (wing spar caps, center section structure) should normally result in a recommendation to retire the aircraft or equipment from Service.

(2) CODE "X1" is applied to parts for which procurement of the next larger assembly is justified; e.g., an integral detail part, such as welded segments, inseparable from its assembly; a part machined in a matched set; or a part of an assembly which, if required, would suggest extensive reconditioning of each assembly.

(3) CODE "X2" is applied to parts which are neither procured nor stocked. Activities requiring such parts shall attempt to obtain from salvage; if not obtainable from salvage, such parts shall be requisitioned through normal supply channels with supporting justification.

e. CODE * PARTS NOT PROCURED - MANUFACTURED OR STOCKED:

(1) CODE * applies to installation drawings, diagrams, instructions or field service drawings, basic drawing numbers which cannot be procured or manufactured, and obsolete parts.

GUIDE FOR USE OF GROUP ASSEMBLY PARTS LIST

1. The title describes the illustration and corresponds to the title listed in the Table of Contents.
2. Coding explanation is at the end of a figure to explain airplane serial number code listed in the "Usable On Code" column.
3. "Units Per Assy" column lists the number of units required per assembly and per subassembly.
4. Figure number indicates the illustration on which the part is shown.
5. Index number identifies the illustrated part.
6. Left- and right-hand assemblies are installed and listed separately, and parts that are not common to both are marked "LH" or "RH" with the description.
7. Vendor's name is listed with item not carried under the prime contractor's part numbers. Vendor's names and addresses are found in Section I.
8. An assembly which has a separate Parts Breakdown is referenced to the applicable Technical Order.

9. "GFP" means "Government Furnished Property".
10. Attaching parts are listed immediately after and in the same column as the part or parts they attach. A " - - * - - - " marks the end of each series of attaching parts. Quantity listed is the number of attaching parts required to attach one part or assembly.
11. "AR" in the "Unit Per Assy" column means "as required" and is used when quantity varies with the assembly or installation.
12. The code letters in "Usable On Code" column limits the use of the part to specific airplane serial numbers. When no code letter is shown in the column, the part is used on all airplanes applicable to this Parts Breakdown.
13. "Ref" means the part is listed for reference purpose only. The quantity of the part is shown elsewhere in the book as indicated by the cross reference in "Description".
14. Detail parts are listed following their assembly or installation and indented one column to the right.

Section II
Group Assembly Parts List

T.O. 1B-26B-4

T.O. 1B-26B-4

Section II
Group Assembly Parts List

FIGURE INDEX NO.	PART NO.	DESCRIPTION	UNITS PER ASSY	USABLE ON CODE
5	14	HEAD AND TAIL ASSEMBLY, a variety of material over head and tail...	1	A
	14	TAIL ASSEMBLY, from tail cone to upper fuselage...	1	A
	14	HEAD ASSEMBLY, from nose to upper fuselage...	1	A
	14	HEAD ASSEMBLY, from nose to upper fuselage...	1	A
	14	HEAD ASSEMBLY, from nose to upper fuselage...	1	A
	14	HEAD ASSEMBLY, from nose to upper fuselage...	1	A
	14	HEAD ASSEMBLY, from nose to upper fuselage...	1	A
	14	HEAD ASSEMBLY, from nose to upper fuselage...	1	A
	14	HEAD ASSEMBLY, from nose to upper fuselage...	1	A
	14	HEAD ASSEMBLY, from nose to upper fuselage...	1	A
	14	HEAD ASSEMBLY, from nose to upper fuselage...	1	A
	14	HEAD ASSEMBLY, from nose to upper fuselage...	1	A
	14	HEAD ASSEMBLY, from nose to upper fuselage...	1	A
	14	HEAD ASSEMBLY, from nose to upper fuselage...	1	A

FIGURE INDEX NO.	PART NO.	DESCRIPTION	UNITS PER ASSY	USABLE ON CODE
10	10	WINDSHIELD ASSEMBLY, from nose to upper fuselage...	1	A
	10	WINDSHIELD ASSEMBLY, from nose to upper fuselage...	1	A
	10	WINDSHIELD ASSEMBLY, from nose to upper fuselage...	1	A
	10	WINDSHIELD ASSEMBLY, from nose to upper fuselage...	1	A
	10	WINDSHIELD ASSEMBLY, from nose to upper fuselage...	1	A
	10	WINDSHIELD ASSEMBLY, from nose to upper fuselage...	1	A
	10	WINDSHIELD ASSEMBLY, from nose to upper fuselage...	1	A
	10	WINDSHIELD ASSEMBLY, from nose to upper fuselage...	1	A
	10	WINDSHIELD ASSEMBLY, from nose to upper fuselage...	1	A
	10	WINDSHIELD ASSEMBLY, from nose to upper fuselage...	1	A
	10	WINDSHIELD ASSEMBLY, from nose to upper fuselage...	1	A
	10	WINDSHIELD ASSEMBLY, from nose to upper fuselage...	1	A
	10	WINDSHIELD ASSEMBLY, from nose to upper fuselage...	1	A
	10	WINDSHIELD ASSEMBLY, from nose to upper fuselage...	1	A

IF YOU KNOW THE LOCATION OF A PART AND WANT TO FIND THE PART NUMBER

TABLE OF CONTENTS

SECTION I - INTRODUCTION 1
SECTION II - GROUP ASSEMBLY PARTS LIST 10
SECTION III - NUMERICAL INDEX 10

LH and RH Wing Installation 10

Section II
Group Assembly Parts List

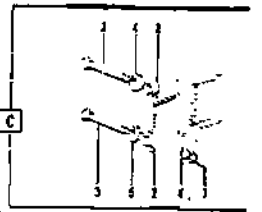
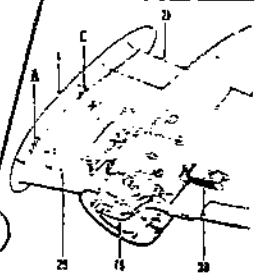
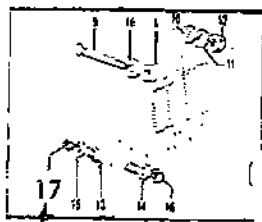


Figure 2. LH and RH

1. In the table of contents, under the major group which the part will be, find the page on which the part will be illustrated.

2. Turn to that page and find the illustration of the part and its figure and index number.

3. The part number, nomenclature, quantity required, and usage code will be found in the group assembly parts list under the same figure and index number as found in step two.

FIGURE INDEX NO.	QUANTITY	DESCRIPTION	UNIT PART SET	USAGE CODE
17	1	NUT, Fuselage front wing spar attaching lower		1

-17 2277819 NUT, Fuselage front wing spar attaching lower 1

GROUP CODE	FIGURE INDEX NUMBER	PART NUMBER	QUANTITY	USAGE CODE
	17	2277819	2-17	2

IF YOU KNOW THE PART NUMBER AND WANT TO FIND AN ILLUSTRATION OF THE PART

4. Find the part number in the numerical index.

5. Turn to the figure number found in step four and find the desired index number.

6. The nomenclature, quantity required, and serial number of aircraft on which the part is usable may be obtained from the group assembly parts at the location found in step five.

VENDORS' NAMES AND ADDRESSES

-A-		-B-	
ACT	Actus Corp Mount Vernon, New York	BGW	Boston Gear Works Div Murray Co of Texas Quincy, Massachusetts
AP	Adel Div General Metals Corp Burbank, California		
AS	Aero Supply Mfg Co Inc Corry, Pennsylvania		-C-
API	Airpath Instrument Co Bridgeton, Missouri	CHW	California Hardware Co Los Angeles, California
	Airply Forming Co Los Angeles, California	CSC	California Spring Co Los Angeles, California
AI	Aireon Mfg Corp Kansas City, Missouri	CED	Cannon Electric Co Los Angeles, California
AIR	Airesearch Mfg Co Los Angeles, California	CRLI	Central Radio Laboratories Milwaukee, Wisconsin
AL	Alemite Div Stewart Warner Corp Chicago, Illinois	CH	Chandler-Evans Div Miles-Bement-Pond Co West Hartford, Connecticut
ALQ	Almquist Brothers and Viets Vernon, California	CHI	Chicago Rawhide Mfg Co, The Chicago, Illinois
ACA	American Chain and Cable Co Bridgeport, Connecticut	CP	Cleveland Pneumatic Tool Co, The Cleveland, Ohio
AMP	American Phenolic Corp Chicago, Illinois	CNL	Cornelius Co, The Minneapolis, Minnesota
AXD	Amplex Mfg Co, The Sub Chrysler Corp Detroit, Michigan	CLD	Cornell-Dubilier Electric Corp South Plainfield, New Jersey
AHMC	Andrews Hardware and Metal Co Los Angeles, California	CUT	Cutler-Hammer Inc Milwaukee, Wisconsin
ANE	Anemostat Corp of America New York, New York		-D-
APL	Appleton Electric Co Chicago, Illinois	DI	Diamond Chain Co Inc Indianapolis, Indiana
ARW	Arrowhead Rubber Co Los Angeles, California	DL	Dill Mfg Co, The Cleveland, Ohio
AIV	Avia Products Co Los Angeles, California	DUC	Ducommun Mfg Co New York, New York
		DZ	Dzus Fastener Co Inc Babylon, New York
	-B-		
BCC	Barber-Coleman Co Rockfort, Illinois		-E-
BEH	Bell and Howell Co Chicago, Illinois	ECP	Eclipse-Pioneer Div Bendix Aviation Corp Teterboro, New Jersey

VENDORS' NAMES AND ADDRESSES (Cont)

	-E-		-H-
EN	Elastic Stop Nut Corp of America Union, New Jersey	HAW	Hubbell Harvey Inc Bridgeport, Connecticut
ELDC	Electrical Development Co Los Angeles, California	HOA	Hydro-Aire Inc Burbank, California
EEM	Electrical Engineering and Mfg Corp Los Angeles, California	HYP	Hydropack-Hydraulic Plastic Accessories Los Angeles, California
	-F-		-I-
FAF	Fafnir Bearing Co, The New Britain, Connecticut	IRC	International Resistance Co Philadelphia, Pennsylvania
FE	Federal Bearing Co Inc West Poughkeepsie, New York	IA	Interstate Engineering Corp El Segundo, California
FEN	Fenwal Inc. Ashland, Massachusetts		
FIS	Fischer E.M. Spring Co Inc New York, New York		-J-
	-G-	JH	Jack and Heintz Inc Succ by Jack and Heintz Precision Industries Inc Cleveland, Ohio
GCO	General Controls Co Glendale, California	JM	Johns-Mansville Corp New York, New York
GE	General Electric Co Schenectady, New York		-K-
GLPR	Glasco Products Co Chicago, Illinois	KOE	Koehler Aircraft Products Co Dayton, Ohio
GD	Goodrich B.F. Co, The Akron, Ohio		-L-
GY	Goodyear Tire and Rubber Co Inc Goodyear Aircraft Corp Akron, Ohio	LR	Leach Relay Co Los Angeles, California
GMC	Grimes Mfg Co Urbana, Ohio	LEN	Lewis Engineering Co Naugatuck, Connecticut
GN	Guardian Electric Mfg Co Chicago, Illinois	LIN	Lincoln Engineering Co St. Louis, Missouri
	-H-	LTF	Littelfuse Inc Des Plaines, Illinois
HS	Hamilton Standard Propeller Div United Aircraft Corp East Hartford, Connecticut	LO	Lord Mfg Co Erie, Pennsylvania
HWL	Hartwell Aviation Supply Co Los Angeles, California		-M-
HV	Harvill Corp Los Angeles, California	ME	Mallory Electric Corp Detroit, Michigan
HEC	Heim Co, The Fairfield, Connecticut	MAL	Mallory P.R. and Co Inc Indianapolis, Indiana
HPL	Henry Paul Co, The Succ by Cam-Stat Inc Div Henry Paul Co New York, New York	MRC	Marlin-Rockwell Corp Jamestown, New York
		MQ	Marquette Metal Products Co, The Cleveland, Ohio

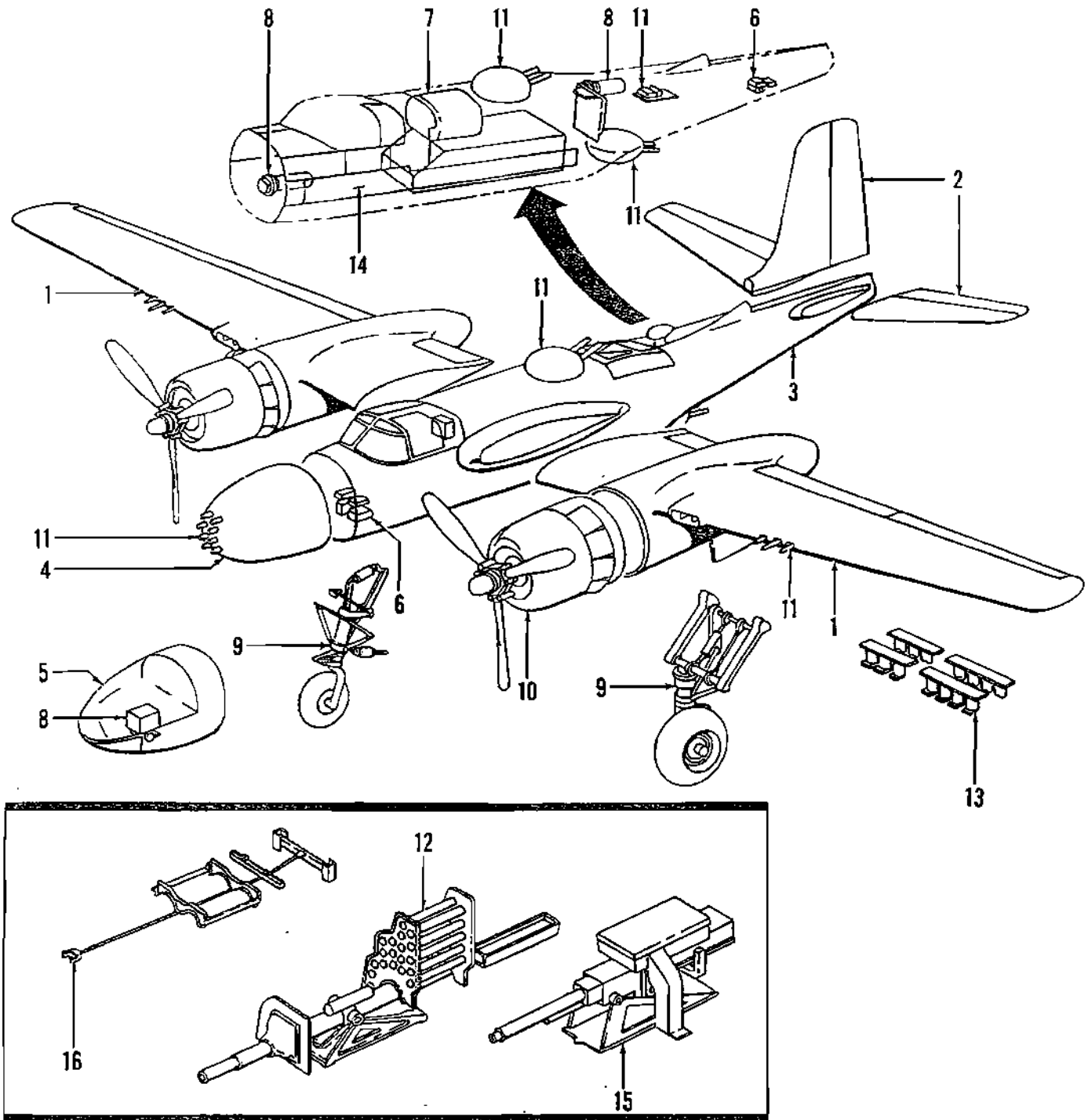
VENDORS' NAMES AND ADDRESSES (Cont)

	-M-		-P-
MQN	McQuay-Norris Mfg Co St. Louis, Missouri	PW	Pratt and Whitney Aircraft Corp East Hartford, Connecticut
MEMA	Meepos Machine Co Los Angeles, California	PRSO	Precision Screw Products Los Angeles, California
MCS	Micro Switch Div Minneapolis Honeywell Regulator Co Freeport, Illinois	PRQ	Preco Inc Los Angeles, California
MHC	Minneapolis Honeywell Regulator Co Valve Div Philadelphia, Pennsylvania	PUP	Purolator Products Inc Rahway, New Jersey
MPD	Moraine Products Div General Motor Corp Dayton, Ohio		-R-
MUT	Muter Co Chicago, Illinois	RCA	Radio Corp of America Camden, New Jersey
	-N-	RHW	Rite Hardware Mfg Co Succ by Adams-Rite Mfg Cp Glendale, California
NMP	National Machine Products Burbank, California	RAJ	Robinson Aviation Corp Vibrashock Div Teterboro, New Jersey
	-O-	RBC	Roller Bearing Co of America Trenton, New Jersey
OM	Ohmite Mfg Co Chicago, Illinois		-S-
MUP	Olympic Plastics Co Los Angeles, California	SLV	Saval, Div of Wm. R. Whitaker Co, Ltd (formerly Saval Co) Los Angeles, California
	-P-	SNT	Scintilla Magneto Div Bendix Aviation Corp Sidney, New York
PDI	Pacific Div Bendix Aviation Corp North Hollywood, California	SHA	Shafer Bearing Corp Chicago, Illinois
PA	Parker Appliance Co Cleveland, Ohio	SLK	Shakeproof Lock Washer Co Succ by Shakeproof Inc Div Illinois Tool Works Chicago, Illinois
PK	Parker-Kaplon Corp New York, New York	SA	Simmonds Aeroaccessories Inc New York, New York
PSS	Peerless Electrical Products Co Los Angeles, California	SMH	Smoot-Holman Co Inglewood, California
PSN	Persons Electric Control Div Maquire Industries Inc Succ by Electric Products Div McQuay-Norris Mfg Co St Louis, Missouri	SPTD	Spencer Thermostat Div of Metals and Controls Corp Attleboro, Massachusetts
PE	Pesco Products Div Borg Warner Corp Bedford, Ohio	SPRG	Sprague Products Co North Adams, Massachusetts
PHC	Phaostron Co South Pasadena, California	SQ	Square D Detroit, Michigan
PLX	Plxweve Mfg Co Los Angeles, California	SAI	Standard-Thomson Corp Dayton, Ohio
PON	Poulsen and Nardon Inc Los Angeles, California	SUC	Surface Combustion Corp Toledo, Ohio

VENDORS' NAMES AND ADDRESSES (Cont)

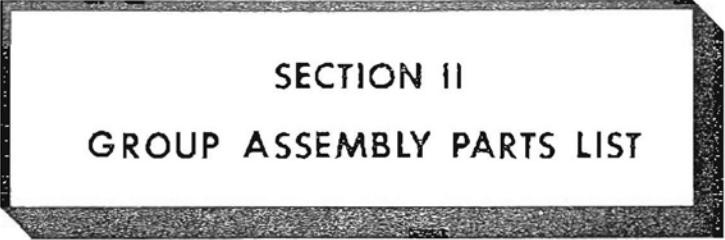
	-T-		-U-
TOM	Thomas and Betts Co Elizabeth, New Jersey	USR	U.S. Rubber Co New York, New York
THA	Thompson Aircraft Products Co Cleveland, Ohio		
TP	Thompson Products Inc Cleveland, Ohio		-W-
TIN	Tinnerman Products Inc Cleveland, Ohio	WK	Walter Kidde and Co Inc Belleville, New Jersey
TIB	Tison Engineering Los Angeles, California	WR	White-Rodgers Electric Co St. Louis, Missouri
TOR	Torrington Co Torrington, Connecticut	WTR	Whittaker, William R. Co Los Angeles, California
	-U-	WCL	Wilcolator Co Elizabeth, New Jersey
UC	Unired-Carr Fastener Corp Cambridge, Massachusetts	WIT	Witteck Mfg Co Chicago, Illinois

Introduction



INDEX NUMBERS	FIGURE NUMBERS	INDEX NUMBERS	FIGURE NUMBERS
1 WING GROUP	2-37	9 LIGHTING GEAR GROUP	143-147
2 EMPENNAGE GROUP	38-39	10 POWER PLANT GROUP	148-163
3 FUSELAGE GROUP	40-142	ELECTRONICS GROUP	164-176
4 ALL PURPOSE NOSE INSTL	42	11 ARMAMENT GROUP	177-201
5 BOMBARDIER NOSE INSTL	49	12 75MM CANNON KIT ASSY INSTL	179
6 AUTOMATIC PILOT INSTL	90	13 ZERO RAIL ROCKET LAUNCHER INSTL	193
7 BOMB BAY TANK INSTL	101	14 FUSELAGE ARMOR PLATE INSTL	198
8 BOMB BAY FERRY TANK INSTL	102	15 COMPLETE 37MM CANNON GUN LH AND RH MOUNT ASSY	194
8 FORWARD AND AFT HEATER KIT INSTL	107	16 TORPEDO ALTERNATE KIT ASSY	200

Figure 1. Major Assembly Breakdown



SECTION II
GROUP ASSEMBLY PARTS LIST

Section II
Group Assembly Parts List

T.O. 1B-26B-4

WING

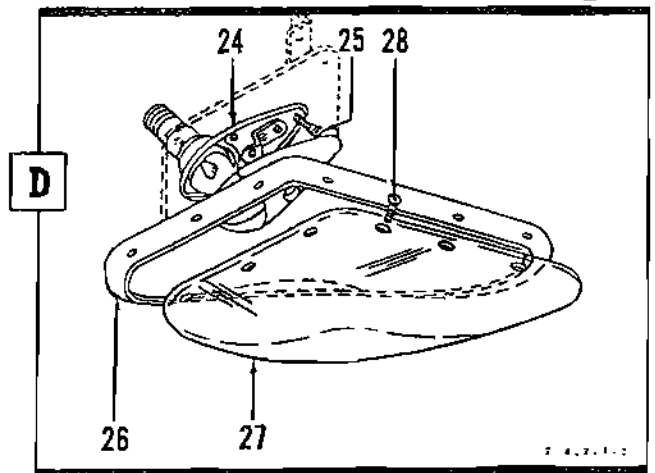
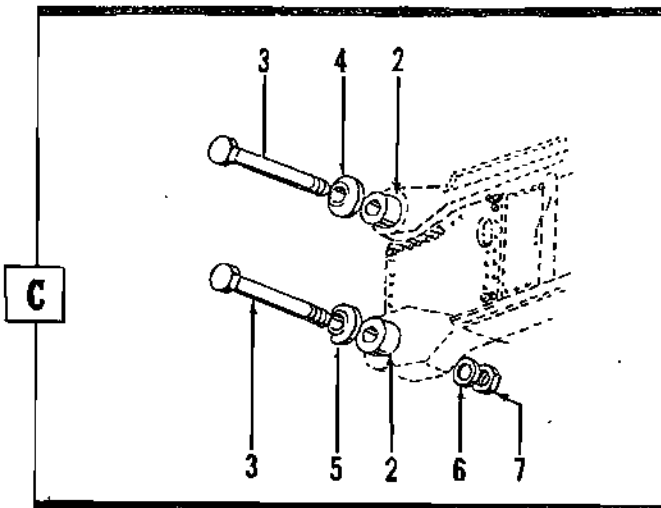
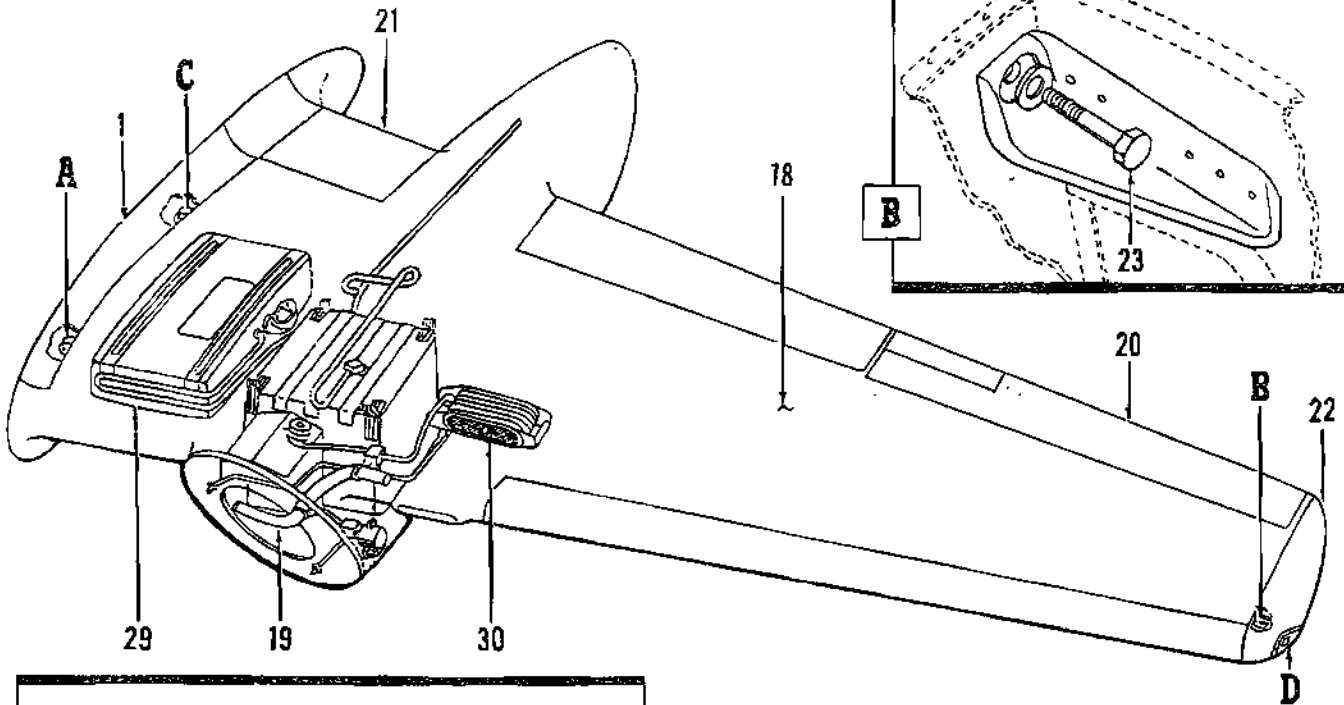
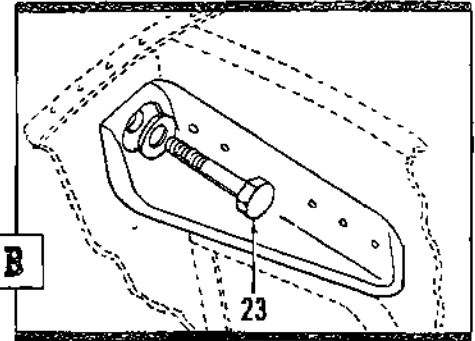
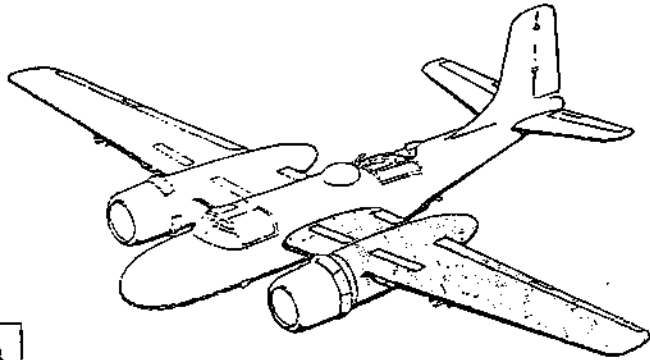
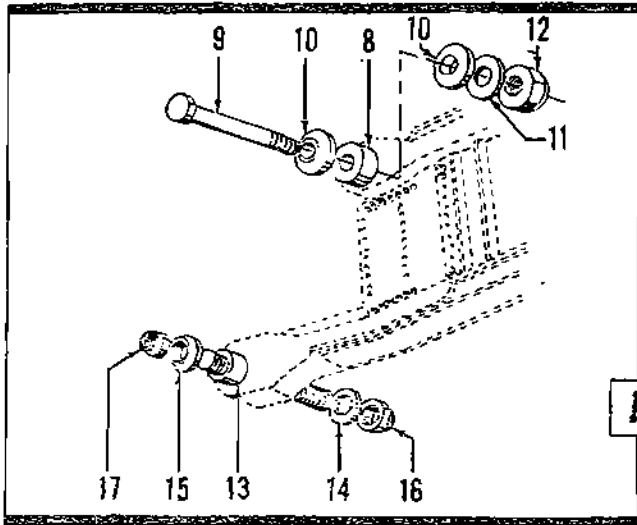


Figure 2. LH and RH Wing Installation

FIGURE & INDEX NO.	PART NO.	DESCRIPTION	UNITS PER ASSY	USABLE ON CODE
2-	5153002	WING INSTL, LH	Ref	
	5153002-1	WING INSTL, RH	Ref	
	4202731	SPARE PARTS ASSY, Wing panel complete LH	1	
	4202731-1	SPARE PARTS ASSY, Wing panel complete RH	1	
-1	5153003	FILLET INSTL, Wing to fuselage LH and RH (see figure 4)	1	
	5159532	FILLET INSTL, Wing to fuselage fwd LH (see figure 4)	1	
	5159532-1	FILLET INSTL, Wing to fuselage fwd RH (see figure 4)	1	
	5205723	PANEL ASSY, Wing complete LH	1	A
	5205721-1	PANEL ASSY, Wing complete RH	1	A
	5208853	PANEL ASSY, Wing complete LH	1	B
	5208853-1	PANEL ASSY, Wing complete RH	1	B
	5209204	PANEL ASSY, Wing complete LH	1	C
	5209204-1	PANEL ASSY, Wing complete RH	1	C
	5209602	PANEL ASSY, Wing complete LH	1	D
	5209602-1	PANEL ASSY, Wing complete RH	1	D
	5209706	PANEL ASSY, Wing complete LH	1	E
	5209706-1	PANEL ASSY, Wing complete RH	1	E
		(ATTACHING PARTS)		
-2	2126570	PIN, Fuselage rear wing spar attaching upper and lower	2	
-3	AN12-73A	BOLT	2	
-4	1128885	WASHER, Fuselage rear wing spar attaching pin upper	2	
-5	2208141	WASHER, Fuselage rear wing spar attaching pin lower	2	
-6	AN960-1216	WASHER	2	
-7	AN365-1716	NUT	2	
-8	2192706	PIN, Fuselage front wing spar attaching upper	1	
-9	AN12-74A	BOLT	1	
-10	1193223	WASHER, Fuselage front wing spar attaching pin upper	4	
-11	AN960-1216L	WASHER (Add on instl if necessary)	1	
-12	AN365-1216	NUT	1	
-13	2277767	PIN, Fuselage front wing spar attaching lower	1	
-14	2277769	WASHER, Wing spar to fuselage pin lower rear	1	
-15	2277820	WASHER, Wing spar to fuselage pin lower forward	1	
-16	2277768	NUT, Fuselage front wing spar attaching lower	1	
-17	2277819	NUT, Fuselage front wing spar attaching lower	1	

-18	5153006	PANEL ASSY, Wing structure LH (see figures 3 and 5)	1	A
	5153006-1	PANEL ASSY, Wing structure RH (see figures 3 and 5)	1	A
	5208851	PANEL ASSY, Wing structure LH (see figures 3 and 5)	1	B
	5208851-1	PANEL ASSY, Wing structure RH (see figures 3 and 5)	1	B
	5209202	PANEL ASSY, Wing structure LH (see figures 3 and 5)	1	C
	5209202-1	PANEL ASSY, Wing structure RH (see figures 3 and 5)	1	C
	5209604	PANEL ASSY, Wing structure LH (see figures 3 and 5)	1	D
	5209604-1	PANEL ASSY, Wing structure RH (see figures 3 and 5)	1	D
	5209705	PANEL ASSY, Wing structure LH (see figures 3 and 5)	1	E
	5209705-1	PANEL ASSY, Wing structure RH (see figures 3 and 5)	1	E
-19	5122103	DUCT INSTL, Wing section engine access and generator cooling	1	
		LH (see figure 3)		
	5122103-1	DUCT INSTL, Wing section engine access and generator cooling	1	
		RH (see figure 3)		
	5153024	DUCTING INSTL, Wing oil cooler LH (see figure 3)	1	
	5153024-1	DUCTING INSTL, Wing oil cooler RH (see figure 3)	1	
-20	5153044	ALERON INSTL, LH (see figure 5)	1	
	5153044-1	ALERON INSTL, RH (see figure 5)	1	
-21	5153048	FLAP INSTL, Wing LH (see figure 8)	1	
	5153048-1	FLAP INSTL, Wing RH (see figure 8)	1	
	5153052	TIP INSTL, Wing LH	1	
	5153052-1	TIP INSTL, Wing RH	1	
-22	5153053	PANEL ASSY, Wing tip LH	1	
	5153053-1	PANEL ASSY, Wing tip RH	1	
		(ATTACHING PARTS)		
-23	AN4-16A	BOLT	4	
	AN960-416	WASHER	4	
	AN365-428	NUT	4	

	5122054	ELECTRICAL INSTL, Wing tip position lamp LH	1	
	5122054-1	ELECTRICAL INSTL, Wing tip position lamp RH	1	
-24	AN3033-3	LAMP ASSY (GFP)	1	
	AN3033-4	LAMP ASSY (GFP)	1	
		(ATTACHING PARTS)		
-25	AN515-4-6	SCREW	3	
	AN365-440	NUT	3	

-26	4123797	SEAL, Wing tip light moulded	1	
-27	4207383	COVER, Wing tip recognition light LH	1	
	4207383-1	COVER, Wing tip recognition light RH	1	
		(ATTACHING PARTS)		
-28	1058047-5	SCREW, Shoulder	14	
	A3235	WASHER, Round countersunk (TDN)	14	
	1080930-4B.062002	TUBE, Synthetic rubber 20-30 shore hardness	14	

-29	5153060	FUEL SYSTEM INSTL, Wing upper section LH	1	
		(see figures 10 and 11)		
	5153060-1	FUEL SYSTEM INSTL, Wing upper section RH	1	
		(see figures 10 and 11)		
	5153097	CONTROL INSTL, Wing fuel system LH (see figure 12)	1	
	5153097-1	CONTROL INSTL, Wing fuel system RH (see figure 12)	1	

Section II
Group Assembly Parts List

T.O. 1B-26B-4

FIGURE & INDEX NO.	PART NO.	1	2	3	4	5	6	7	DESCRIPTION	UNITS PER ASSY	USABLE ON CODE	
2-30	5153067								OIL SYSTEM INSTL, Wing LH (see figure 13)	1		
	5153067-1								OIL SYSTEM INSTL, Wing RH (see figure 13)	1		
	5122086								HYDRAULIC INSTL, Wing emergency LH (see figure 14)	1		
	5122088								HYDRAULIC INSTL, Wing emergency RH (see figure 14)	1		
	5122085								HYDRAULIC INSTL, Wing LH (see figure 14)	1		
	5122087								HYDRAULIC INSTL, Wing RH (see figure 14)	1		
	5153082								INSTRUMENT INSTL, Wing LH (see figure 15)	1	A, F	
	5153083								INSTRUMENT INSTL, Wing RH (see figure 15)	1	A, F	
	5208326								INSTRUMENT INSTL, Wing LH (see figure 15)	1	C-G	
	5208325								INSTRUMENT INSTL, Wing RH (see figure 15)	1	C-G	
	5209588								FIRE EXTINGUISHER SYSTEM INSTL, Wing LH (see figure 16)	1	H	
	5209587								FIRE EXTINGUISHER SYSTEM INSTL, Wing RH (see figure 16)	1	H	
	5153095								CONTROL INSTL, Wing right LH (see figures 17 and 18)	1	A-C	
	5153095-1								CONTROL INSTL, Wing right RH (see figures 17 and 18)	1	A-C	
	5275857								CONTROL INSTL, Wing right LH (see figures 17 and 18)	1	D, E	
	5275857-1								CONTROL INSTL, Wing right RH (see figures 17 and 18)	1	D, E	
	5153100								CONTROL INSTL, Wing, engine and propeller LH (see figure 19)	1	A	
	5153107								CONTROL INSTL, Wing, engine and propeller RH (see figure 20)	1	A	
	5208876								CONTROL INSTL, Wing, engine and propeller LH (see figure 21)	1	B-E	
	5208875								CONTROL INSTL, Wing, engine and propeller RH (see figure 22)	1	B-E	
	5122102								MECHANISM INSTL, Wing flap operating LH (see figure 23)	1		
	5122102-1								MECHANISM INSTL, Wing flap operating RH (see figure 23)	1		
	5153108								HEAT AND VENT FUEL SYSTEM INSTL, Wing LH (see figure 24)	1	A, F	
	5153106								HEAT AND VENT FUEL SYSTEM INSTL, Wing RH (see figure 24)	1	A, F	
	5207972								HEAT AND VENT FUEL SYSTEM INSTL, Wing (see figure 25)	1	C, D, E, G	
	5122104								ICE ELIMINATION EQUIPMENT INSTL, Wing LH (see figure 26)	1		
	5122105								ICE ELIMINATION EQUIPMENT INSTL, Wing RH (see figure 26)	1		
	5275985								PROVISIONS INSTL, Internal wing gun LH (see figure 27)	1	D, E	
	5275985-1								PROVISIONS INSTL, Internal wing gun RH (see figure 27)	1	D, E	
	5199530								AMMUNITION BOX AND GUN SUPPORTS INSTL, Wing (fixed gun) LH (see figure 28)	1	A-C	
	5199530-1								AMMUNITION BOX AND GUN SUPPORTS INSTL, Wing (fixed gun) RH (see figure 28)	1	A-C	
	5204675								ELECTRICAL INSTL, Wing LH (see figure 29)	1	J	
	5204674								ELECTRICAL INSTL, Wing RH (see figure 29)	1	J	
	5208356								ELECTRICAL INSTL, Wing LH (see figure 29)	1	C	
	5208357								ELECTRICAL INSTL, Wing RH (see figure 29)	1	C	
	5276142								ELECTRICAL INSTL, Wing LH (see figure 29)	1	D, E	
	5276113								ELECTRICAL INSTL, Wing RH (see figure 29)	1	D, E	
	5153077								ELECTRICAL INSTL, Wing LH (see figure 29)	1	K	
	5153078								ELECTRICAL INSTL, Wing RH (see figure 29)	1	K	
	5202751								PROVISIONS INSTL, Wing bomb rack LH (see figure 28A)	1	A-C	
	5202751-1								PROVISIONS INSTL, Wing bomb rack RH (see figure 28A)	1	A-C	
	5276071								PROVISIONS INSTL, Wing bomb rack LH (see figure 28A)	1	D, E	
	5276071-1								PROVISIONS INSTL, Wing bomb rack RH (see figure 28A)	1	D, E	
			A	USAF	41-39100 thru 41-39499					F USAF 41-39500 thru 41-39599		
					43-22252 thru 43-22751					G USAF 44-35198 thru 44-35655		
			B	USAF	41-39500 thru 41-39599					H USAF 44-34333 thru 44-35197		
					44-35198 thru 44-35655					44-35948 thru 44-35996		
			C	USAF	44-34098 thru 44-34217					J USAF 41-39140 thru 41-39599		
					44-35656 thru 44-35937					43-22302 thru 43-22751		
			D	USAF	44-34218 thru 44-34332					44-35198 thru 44-35655		
					44-35938 thru 44-35996					K USAF 41-39100 thru 41-39139		
			E	USAF	44-34333 thru 44-35197					43-22252 thru 43-22301		

WING

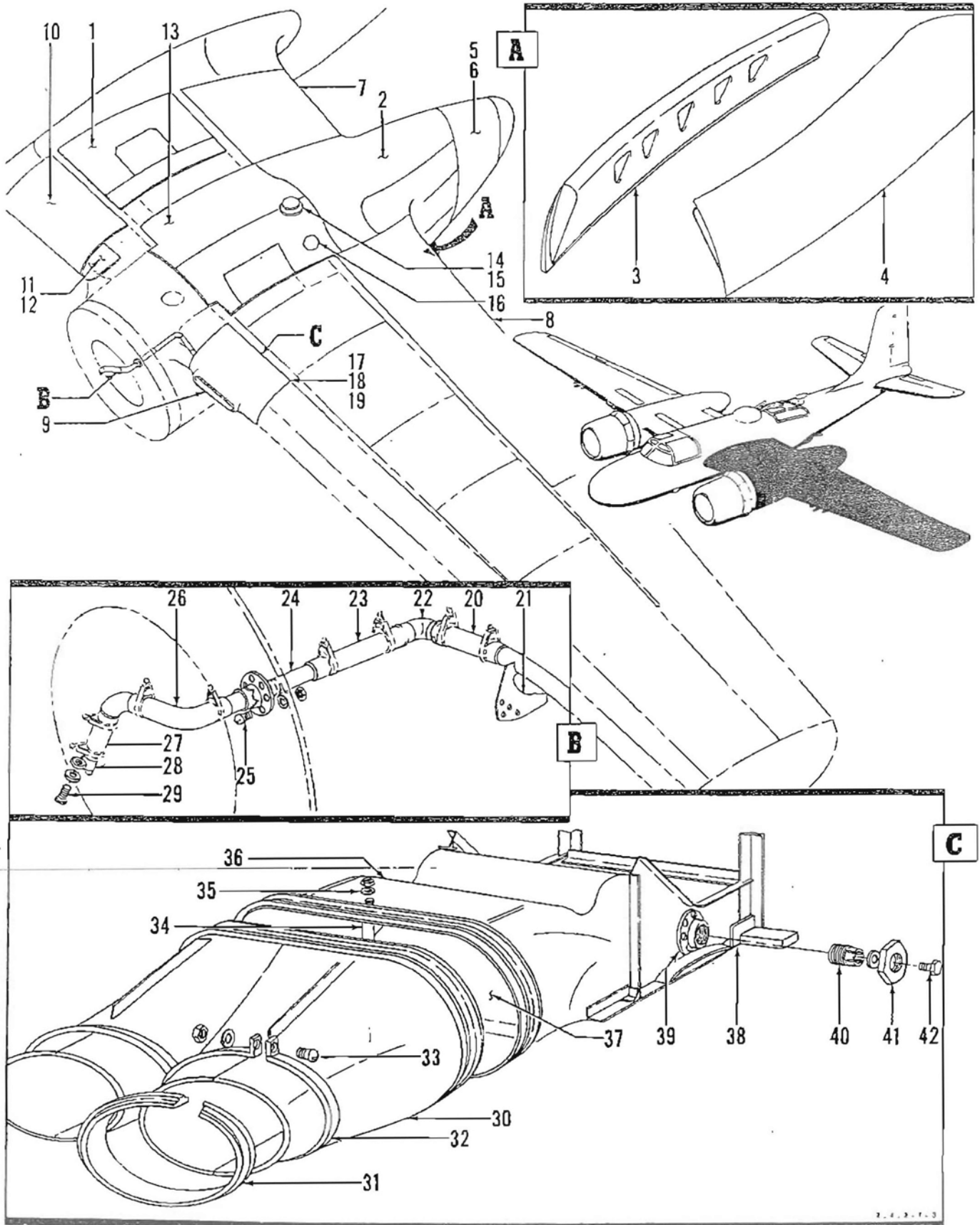


Figure 3. Wing Structure Complete

Section II
Group Assembly Parts List

T.O. 1B-26B-4

FIGURE & INDEX NO.	PART NO.	1 2 3 4 5 6 7	DESCRIPTION	UNITS PER ASSY	USABLE ON CODE
3-	5153006		COMPLETE WING STRUCTURE		
	5153006-1		PANEL ASSY, Wing structure LH (see figures 2 and 5)	Ref	A,B
	5208851		PANEL ASSY, Wing structure RH (see figures 2 and 5)	Ref	A,B
	5208851-1		PANEL ASSY, Wing structure LH (see figures 2 and 5)	Ref	C
	5209202		PANEL ASSY, Wing structure RH (see figures 2 and 5)	Ref	C
	5209202-1		PANEL ASSY, Wing structure LH (see figures 2 and 5)	Ref	D
	5209604		PANEL ASSY, Wing structure RH (see figures 2 and 5)	Ref	E
	5209604-1		PANEL ASSY, Wing structure LH (see figures 2 and 5)	Ref	E
	5209705		PANEL ASSY, Wing structure RH (see figures 2 and 5)	Ref	F
	5209705-1		PANEL ASSY, Wing structure LH (see figures 2 and 5)	Ref	F
-1	5153005		STRUCTURE ASSY, Wing panel LH (see figure 6)	1	A
	5153005-1		STRUCTURE ASSY, Wing panel RH (see figure 6)	1	A
	5207600		STRUCTURE ASSY, Wing panel LH (see figure 6)	1	B,C
	5207600-1		STRUCTURE ASSY, Wing panel RH (see figure 6)	1	B,C
	5209203		STRUCTURE ASSY, Wing panel LH (see figure 6)	1	D
	5209203-1		STRUCTURE ASSY, Wing panel RH (see figure 6)	1	D
	5209728		STRUCTURE ASSY, Wing panel LH (see figure 6)	1	E,F
	5209728-1		STRUCTURE ASSY, Wing panel RH (see figure 6)	1	E,F
-2	5153030		STRUCTURE ASSY, Nacelle LH (see figure 7)	1	A,B
	5153030-1		STRUCTURE ASSY, Nacelle RH (see figure 7)	1	A,B
	5208852		STRUCTURE ASSY, Nacelle LH (see figure 7)	1	B-F
	5208852-1		STRUCTURE ASSY, Nacelle RH (see figure 7)	1	B-F
-3	5153035		DOOR ASSY, Nacelle inboard LH (see figure 7)	1	
	5153035-1		DOOR ASSY, Nacelle inboard RH (see figure 7)	1	
-4	5153037		DOOR ASSY, Nacelle outboard LH (see figure 7)	1	
	5153037-1		DOOR ASSY, Nacelle outboard RH (see figure 7)	1	
-5	5153031		STRUCTURE ASSY, Nacelle cone LH	1	
	5153031-1		STRUCTURE ASSY, Nacelle cone RH (ATTACHING PARTS)	1	
-6	AN3-6A		BOLT	6	
	AN960D10		WASHER	6	
	AN365-1032		NUT	6	
-7	5155381		STRUCTURE ASSY INSTL, Trailing edge inboard LH (see figure 4)	1	
	5155381-1		STRUCTURE ASSY INSTL, Trailing edge inboard RH (see figure 4)	1	
-8	5155387		STRUCTURE ASSY INSTL, Trailing edge outboard LH (see figure 32)	1	
	5155387-1		STRUCTURE ASSY INSTL, Trailing edge outboard RH (see figure 32)	1	
-9	5153009		NOSE PANEL INSTL, Wing removable LH	1	A-E
	5153009-1		NOSE PANEL INSTL, Wing removable RH	1	A-E
	5209475		NOSE PANEL INSTL, Wing removable LH	1	F
	5209475-1		NOSE PANEL INSTL, Wing removable RH	1	F
-10	5153009-2		NOSE PANEL, Wing removable upper LH	1	A-E
	5153009-3		NOSE PANEL, Wing removable upper RH	1	A-E
-11	5153009-4		NOSE PANEL, Wing removable lower LH	1	A-E
	5153009-5		NOSE PANEL, Wing removable lower RH	1	A-E
	5209475-2		NOSE PANEL, Wing removable LH	1	F
	5209475-3		NOSE PANEL, Wing removable RH (ATTACHING PARTS)	1	F
-12	1029421-10-10		SCREW, Flathead 100° recessed	44	F
	1029421-10-12		SCREW, Flathead 100° recessed	5	A-E
	1029421-10-14		SCREW, Flathead 100° recessed (16 used on 5153009 and 5153009-1)	66	F
	1029421-10-20		SCREW, Flathead 100° recessed	4	A-E
	AN509-416R16		SCREW (formerly 1029421-416-16)	14	A-E
	AN509-416R17		SCREW (formerly 1029421-416-18)	50	A-E
	5158966		FAIRING INSTL, Nacelle front to rear spar upper LH	1	
	5158966-1		FAIRING INSTL, Nacelle front to rear spar upper RH	1	
-13	5158966-32		FAIRING ASSY, Nacelle front to rear spar LH	1	
	5158966-33		FAIRING ASSY, Nacelle front to rear spar RH	1	
-14	5158966-18		DOOR, Nacelle fairing front to rear spar (ATTACHING PARTS)	1	
-15	1029421-10-8		SCREW, Flathead 100° recessed	12	
-16	4191441		DOOR ASSY, Nacelle fuel filler neck access	1	A-C
	4209793		DOOR ASSY, Nacelle fuel filler neck access	1	D-F
-17	5276601		STRUCTURE ASSY, Oil cooler nose LH	1	
	5276601-1		STRUCTURE ASSY, Oil cooler nose RH (ATTACHING PARTS)	1	
-18	1029421-10-7		SCREW, Flathead 100° recessed	AR	
-19	1029421-10-12		SCREW, Flathead 100° recessed	44	
	5122103		DUCT INSTL, Wing section engine access and generator cooling LH (see figure 2)	Ref	
	5122103-1		DUCT INSTL, Wing section engine access and generator cooling RH (see figure 2)	Ref	
-20	2150794-10		HOSE, Wing cooling duct	1	
-21	2158761		BRACKET, Engine accessory cooling air duct support	1	
-22	4158893		ELBOW, Engine accessory cooling air duct	1	
-23	2150794-2		HOSE, Wing cooling duct	1	
-24	4157911		TUBE ASSY, Generator cooling air duct firewall (ATTACHING PARTS)	1	
-25	AN513-6-6		SCREW	6	

FIGURE & INDEX NO.	PART NO.	1	2	3	4	5	6	7	DESCRIPTION	UNITS PER ASSY	USABLE ON CODE
3-	AN960-6 AN365-632								WASHER NUT	6 6	
-26	2150794-8								HQSE, Wing cooling duct LH	1	
	2150794-12								HQSE, Wing pooling duct RH	1	
-27	5122103-2								TUBE, Engine accessory and generator cooling duct	2	
-28	4205169								TUBE ASSY, Firewall, generator blast (LH only) (ATTACHING PARTS)	1	C-F
-29	ANS15-6-6 AN960-6 AN365-632								SCREW WASHER NUT	6 6 6	
	5153024								DUCTING INSTL, Wing oil cooler LH (see figure 2)	Ref	
	5153024-1								DUCTING INSTL, Wing oil cooler RH (see figure 2)	Ref	
-30	5153024-40								DUCT ASSY, Wing oil cooler	1	
-31	5153024-36								SEAL, Wing oil cooler duct	2	
-32	4131588								STRAP ASSY, Oil cooler duct (ATTACHING PARTS)	4	
-33	AN520-416-26 AN960-416 AN365-428								SCREW WASHER NUT	1 1 1	
-34	5153024-78								TUBE, Wing oil cooler duct (ATTACHING PARTS)	1	
-35	AN960-10L AN365-1032								WASHER NUT	2 2	
-36	5153024-46								DUCT ASSY, Wing oil cooler LH	1	
	5153024-47								DUCT ASSY, Wing oil cooler RH	1	
-37	5157808								DOOR ASSY, Oil cooler LH	1	
	5157808-1								DOOR ASSY, Oil cooler RH	1	
-38	1158466-2								SEAL, Oil cooler duct	1	
-39	1127629								COLLAR, Oil cooler hinge support outboard LH	1	
	1127629-1								COLLAR, Oil cooler hinge support outboard RH	1	
-40	1158465								RETAINER ASSY, Oil cooler hinge bearings outboard	1	
-41	1125838								NUT, Oil cooler hinge bearing	1	
-42	AN4-12A AN970-4								BOLT WASHER	1 1	
		A USAF	41-39100 thru 41-39299						C USAF 41-39500 thru 41-39599		
			43-22252 thru 43-22445						D USAF 44-35198 thru 44-35655		
			43-22467 thru 43-22545						E USAF 44-34098 thru 44-34217		
		B USAF	41-39300 thru 41-39499						F USAF 44-35656 thru 44-35937		
			43-22444 thru 43-22466						G USAF 44-34218 thru 44-34332		
			43-22546 thru 43-22751						H USAF 44-35938 thru 44-35996		
									I USAF 44-34333 thru 44-35197		

Section II
Group Assembly Parts List

T.O. 1B-26B-4

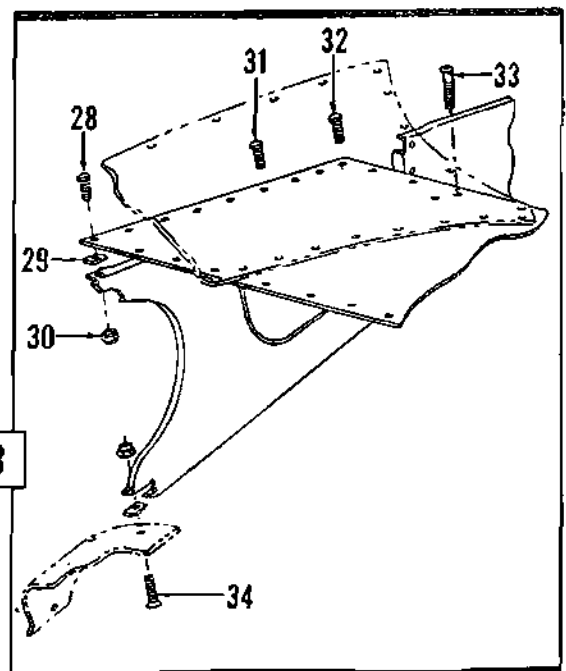
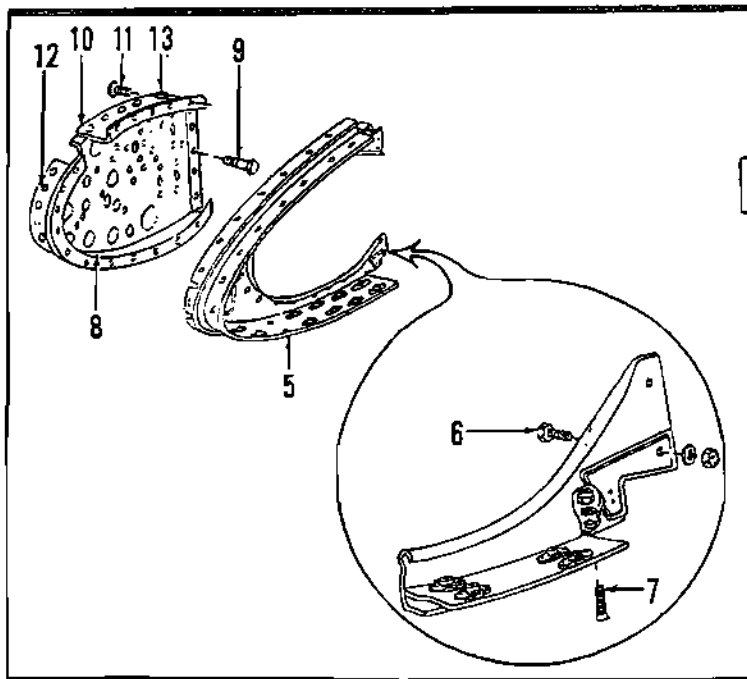
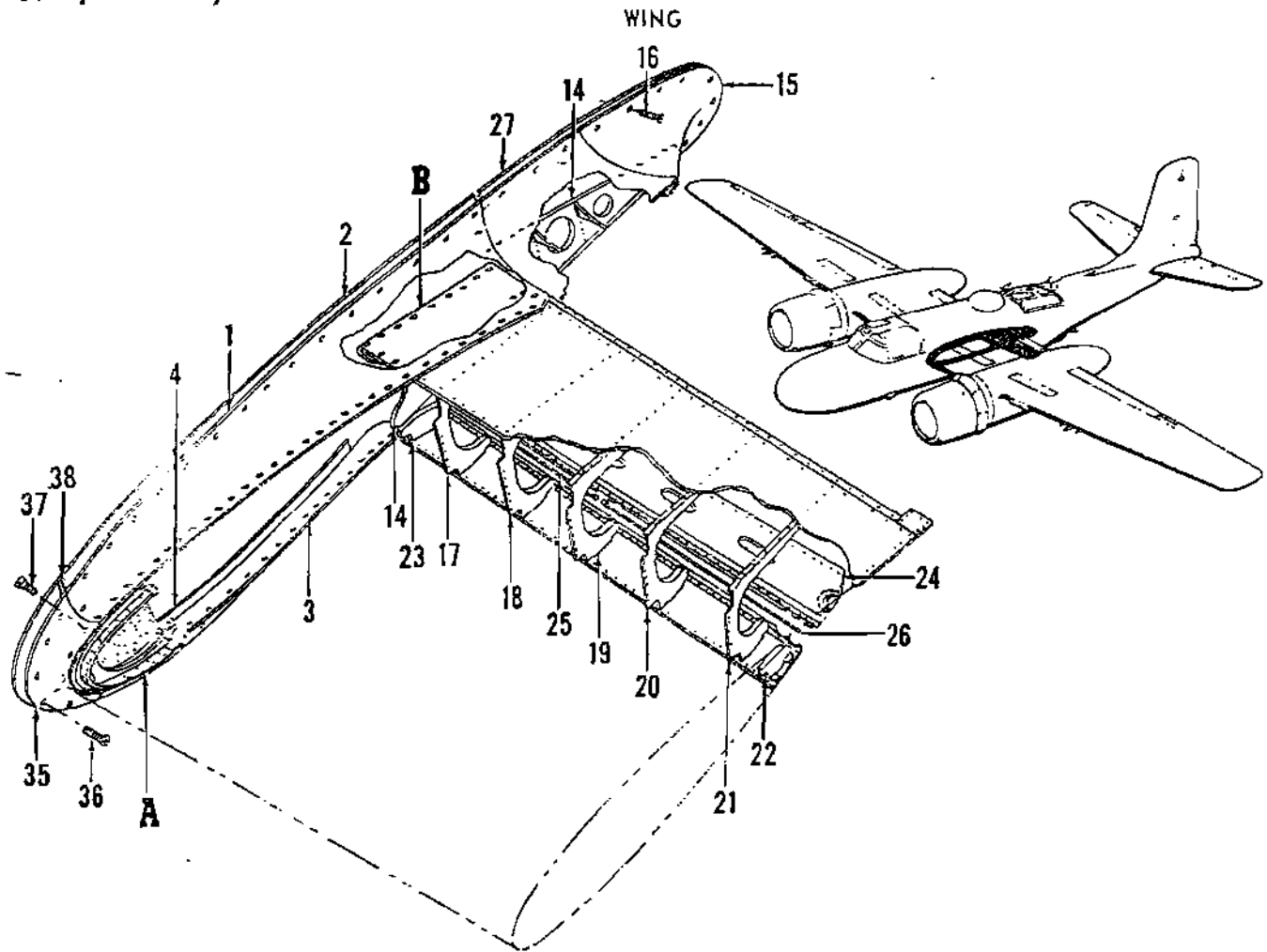


Figure 4. Wing to Fuselage Fillet and Inboard Trailing Edge Structure

FIGURE & INDEX NO.	PART NO.	DESCRIPTION	UNITS PER ASSY	USABLE ON CODE
		1 2 3 4 5 6 7		
4-		WING TO FUSELAGE FILLET AND INBOARD TRAILING EDGE STRUCTURE		
-1	5153003	FILLET INSTL, Wing to fuselage LH and RH (see figure 2)	Ref	
	5153003-4	FILLET, Wing to fuselage top LH	1	
	5153003-5	FILLET, Wing to fuselage top RH	1	
		(ATTACHING PARTS)		
	1029421-10-8	SCREW, Flathead 100° recessed	9	
	1029421-10-12	SCREW, Flathead 100° recessed	16	
	1029421-10-16	SCREW, Flathead 100° recessed	2	
	1029421-10-10	SCREW, Flathead 100° recessed	11	
	A3235-028	WASHER (TIN)	11	
	1029421-10-12	SCREW, Flathead 100° recessed	1	
	1125962	SPACER, Sta 180	1	
	1029421-10-8	SCREW, Flathead 100° recessed	1	
	AN365-1032	NUT	1	
	1029421-10-7	SCREW, Flathead 100° recessed	1	
	AN364-1032	NUT	1	
	AN509-10R8	SCREW (formerly 1029421-10-9)	5	
	1029421-10-14	SCREW, Flathead 100° recessed	3	
-2	5153003-8	SEAL, Wing to fuselage fillet top	1	
-3	5153003-2	FILLET, Wing to fuselage bottom LH	1	
	5153003-3	FILLET, Wing to fuselage bottom RH	1	
		(ATTACHING PARTS)		
	1029421-10-8	SCREW, Flathead 100° recessed	5	
	1029421-10-13	SCREW, Flathead 100° recessed	27	
	1029421-10-12	SCREW, Flathead 100° recessed	1	
	1125962	SPACER, Sta 180	1	
	AN365-1032	NUT	1	
	1029421-10-14	SCREW, Flathead 100° recessed	3	
	1029421-10-16	SCREW, Flathead 100° recessed	1	
	AN509-10R8	SCREW (formerly 1029421-10-9)	3	
	1029421-10-10	SCREW	16	
	A3235-028	WASHER (TIN)	16	
-4	5153003-6	SEAL, Wing to fuselage fillet bottom	1	
-5	4157877	RIB ASSY, Wing nose sta 34 LH	1	
	4157877-1	RIB ASSY, Wing nose sta 34 RH	1	
		(ATTACHING PARTS)		
-6	AN3-4A	BOLT	4	
	AN960D10	WASHER	4	
	AN365-1032	NUT	4	
-7	1029421-10-10	SCREW	2	
	AN960D10	WASHER	2	
	AN365-1032	NUT	2	
-8	5203296	BULKHEAD ASSY, Wing nose sta 32 LH	1	
	5203269	BULKHEAD ASSY, Wing nose sta 32 RH	1	
		(ATTACHING PARTS)		
-9	AN3-4A	BOLT	5	
	AN960D10	WASHER	5	
	AN365-1032	NUT	5	
-10	5206424	COVER ASSY, Wing nose sta 34 to 32 LH	1	
	5206424-1	COVER ASSY, Wing nose sta 34 to 32 RH	1	
-11	AN530-10-10	SCREW	18	
	AN980D10	WASHER	18	
	A1779M1	NUT, Speed (TIN)	18	
-12	AN530-10-10	SCREW	19	
	AN960D10	WASHER	19	
	A1779M1	NUT, Speed (TIN)	19	
-13	AN3-4A	BOLT	2	
	AN960D10	WASHER	2	
	AN365-1032	NUT	2	
	5155381	STRUCTURE ASSY, INSTL, Trailing edge inboard LH (see figure 3)	Ref	
	5155381-1	STRUCTURE ASSY, INSTL, Trailing edge inboard RH (see figure 3)	Ref	
	5155381-40	RIB ASSY, Trailing edge inboard LH	1	
	5155381-41	RIB ASSY, Trailing edge inboard RH	1	
-14	5157871	RIB ASSY, Trailing edge sta 320 LH	1	
	5157871-1	RIB ASSY, Trailing edge sta 320 RH	1	
-15	5155381-38	FILLET ASSY, Trailing edge inboard LH	1	
	5155381-39	FILLET ASSY, Trailing edge inboard RH	1	
		(ATTACHING PARTS)		
-16	1029421-10-10	SCREW	19	
	A3235-028	WASHER (TIN)	19	
-17	4155900	RIB, Trailing edge sta 40 LH	1	
	4155900-1	RIB, Trailing edge sta 40 RH	1	
-18	4155901	RIB, Trailing edge sta 48 LH	1	
	4155901-1	RIB, Trailing edge sta 48 RH	1	
-19	4155902	RIB, Trailing edge sta 57 LH	1	
	4155902-1	RIB, Trailing edge sta 57 RH	1	
-20	4155903	RIB, Trailing edge sta 66 LH	1	

Section II
Group Assembly Parts List

T.O. 1B-26B-4

FIGURE & INDEX NO.	PART NO.								DESCRIPTION	UNITS PER ASSY	USABLE ON CODE
		1	2	3	4	5	6	7			
4 -21 -22 -23 -24 -25 -26 -27 -28 -29 -30 -31 -32 -33 -34 -35 -36 -37 -38	4155903-1								RIB, Trailing edge sta 66 RH	1	
	4155904								RIB, Trailing edge sta 75 LH	1	
	4155904-1								RIB, Trailing edge sta 75 RH	1	
	4155905								BRACKET, Trailing edge closing outboard LH	1	
	4155905-1								BRACKET, Trailing edge closing outboard RH	1	
	4155906								BRACKET, Trailing edge closing inboard LH	1	
	4155906-1								BRACKET, Trailing edge closing inboard RH	1	
	5128541								DOOR ASSY; Flap inboard LH	1	
	5128541-1								DOOR ASSY; Flap inboard RH	1	
	1000759S120-1916								PIN, Hood hinge	2	
	1000759S120-2416								PIN, Hood hinge	2	
	5155381-4								SEAL, Trailing edge inboard	1	
	AN3-7A								BOLT	1	
	1125962								SPACER, Sta 180	1	
	AN365-1032								NUT	1	
	AN3-3A								BOLT	6	
	AN3-4A								BOLT	2	
	AN365-1032								NUT	2	
	AN507-1032R20								SCREW (formerly 1087510-10-20)	4	
	AN950D10L								WASHER	4	
	AN365-1032								NUT	4	
	1029421-10-7								SCREW, Flathead 100° recessed	1	
	1125962								SPACER, Sta 180	1	
	AN365-1032								NUT	1	
	5159532								FILLET INSTL, Wing to fuselage fwd LH (see figure 2)	Ref	
	5159532-1								FILLET INSTL, Wing to fuselage fwd RH (see figure 2)	Ref	
	5159532-2								FILLET, LH	1	
	5159532-3								FILLET, RH	1	
									(ATTACHING PARTS)		
	1029421-10-14								SCREW	9	
	A3235-028								WASHER (TR)	9	
	1029421-10-8								SCREW	6	
	5159532-10								STRIP	1	

WING

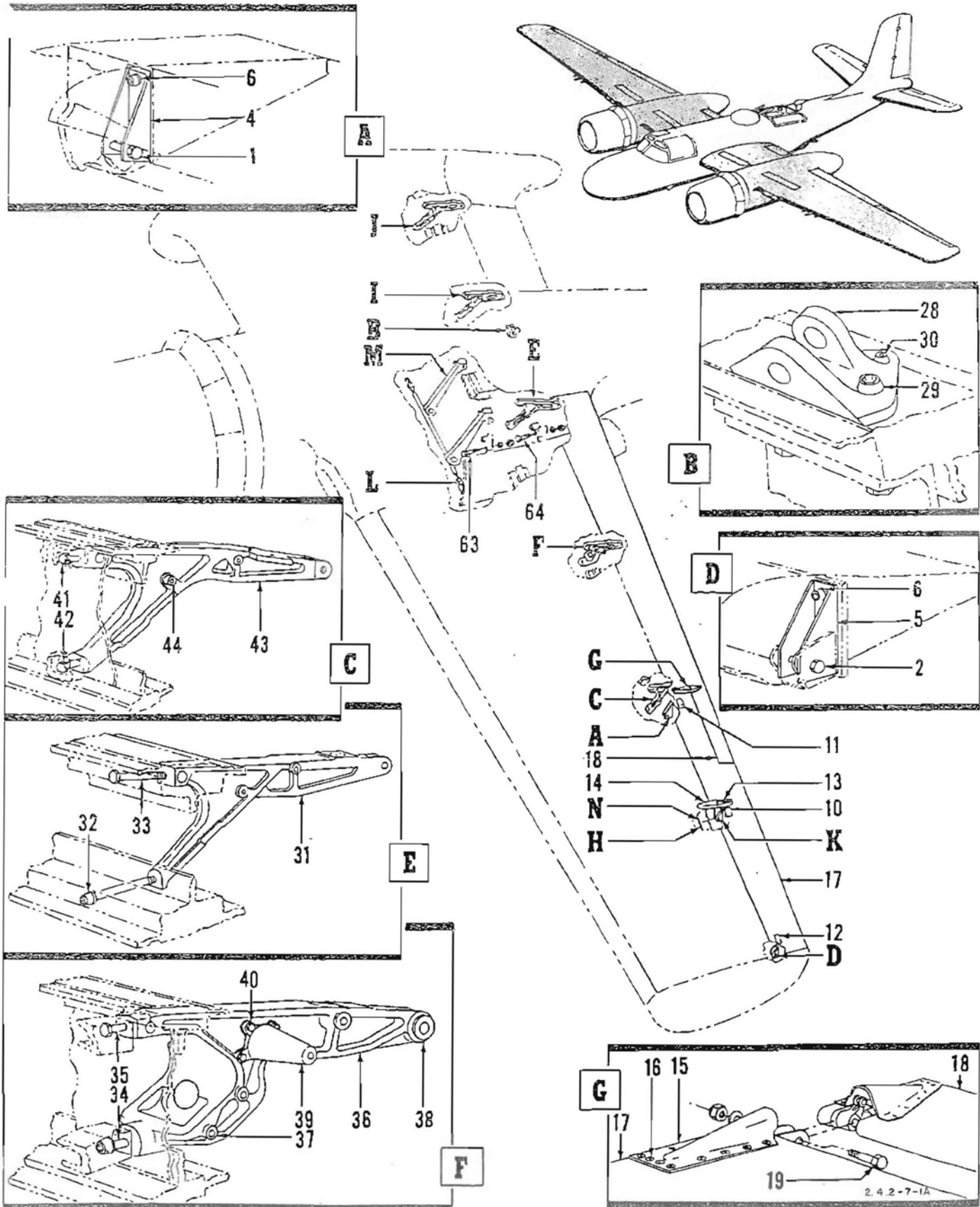


Figure 5. Aileron and Wing Structure Panel Assembly (Sheet 1 of 2)

Section II
Group Assembly Parts List

T.O. 1B-26B-4

WING

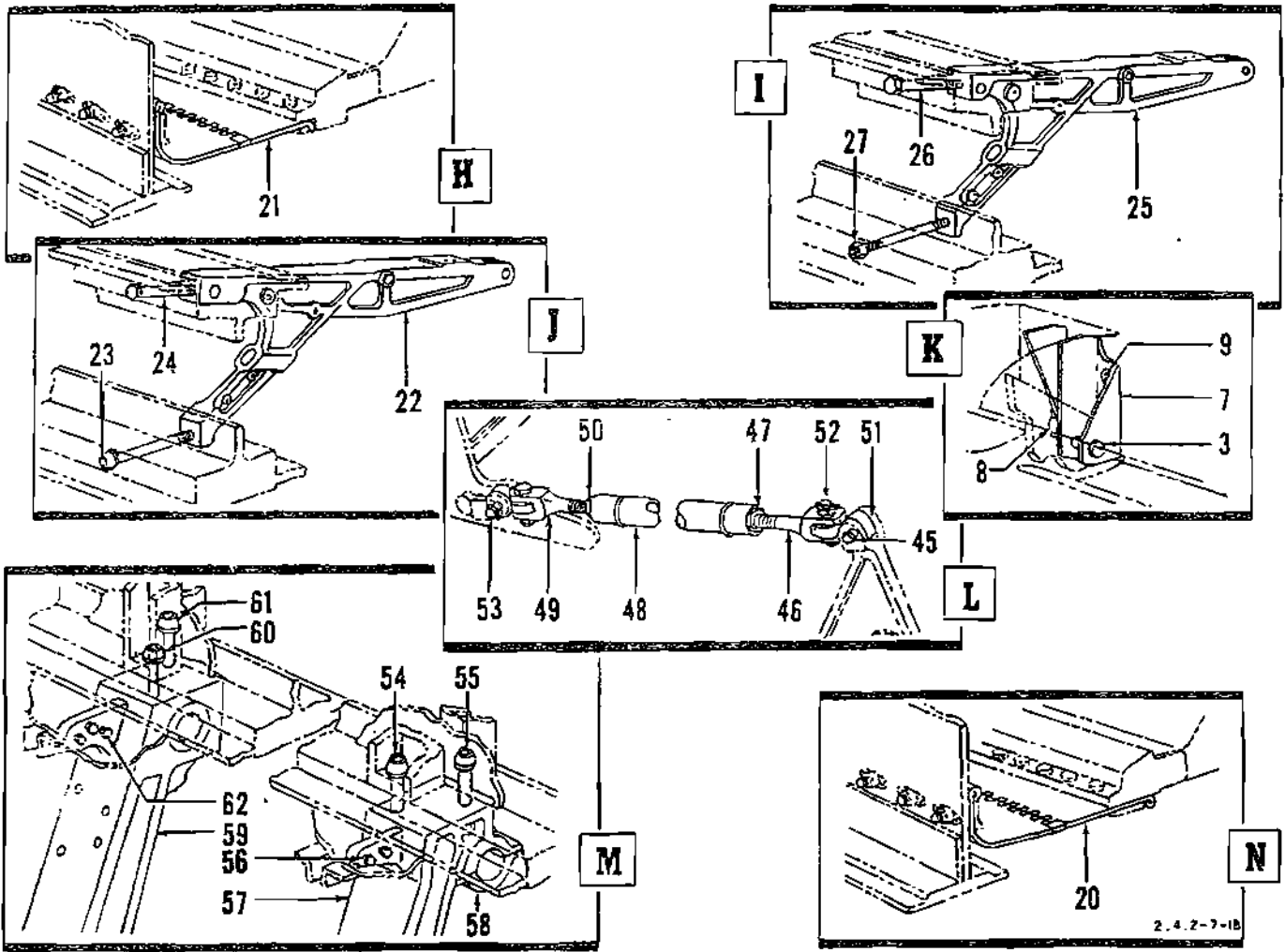


Figure 5. Aileron and Wing Structure Panel Assembly (Sheet 2 of 2)

FIGURE & INDEX NO.	PART NO.								DESCRIPTION	UNITS PER ASSY	USABLE ON CODE
		1	2	3	4	5	6	7			
5-	5153044								AILERON AND WING STRUCTURE PANEL ASSY		
	5153044-1								AILERON INSTL. LH (see figure 2)	Ref	
	5153044-2								AILERON INSTL. RH (see figure 2)	Ref	
	5153044-3								AILERON ASSY, Complete LH	1	
	4142651								AILERON ASSY, Complete RH	1	
-1	4142651-1								SPARE PARTS ASSY, Aileron LH	1	
									SPARE PARTS ASSY, Aileron RH	1	
									(ATTACHING PARTS)		
-2	AN4-11								BOLT	1	
	AN960-416								WASHER	1	
	AN310-4								NUT	1	
-3	AN4-12								BOLT	1	
	AN960-416								WASHER	1	
	AN310-4								NUT	1	
-4	AN5-11								BOLT	1	
	AN960D516								WASHER	1	
	AN310-5								NUT	1	
-5	5153045								AILERON ASSY, Covered LH	1	
	5153045-1								AILERON ASSY, Covered RH	1	
	2123286								SUPPORT, Aileron hinge	1	
	5153045-36								BRACKET ASSY, Aileron hinge support	1	
	5153045-37								BRACKET ASSY, Aileron hinge support	1	
								(ATTACHING PARTS)			
-6	NAS144-11								BOLT	4	
	AN960D416								WASHER	4	
	AN365-428								NUT	4	
-7	2123287								SUPPORT, Aileron hinge LH	1	
	2123287-1								SUPPORT, Aileron hinge RH	1	
								(ATTACHING PARTS)			

FIGURE & INDEX NO.	PART NO.	1	2	3	4	5	6	7	DESCRIPTION	UNITS PER ASSY	USABLE ON CODE
5-8	AN4-5A								BOLT	4	
-9	NAS221-13								SCREW (formerly 1029679P10-12)	2	
-10	5153045-180								DOOR, Access	1	
-11	5153045-182								DOOR, Access	1	
-12	5153045-184								DOOR, Access	1	
-13	5150374								FAIRING, Aileron aft LH	1	
	5150374-1								FAIRING, Aileron aft RH	1	
-14	5150376								FAIRING, Aileron forward LH	1	
	5150376-1								FAIRING, Aileron forward RH	1	
-15	5150375								FAIRING, Aileron tab forward (ATTACHING PARTS)	1	
-16	AN507-1032-10								SCREW	33	
-17	5153045-130								AILERON ASSY, Covered LH	1	
	5153045-131								AILERON ASSY, Covered RH	1	
-18	5284476								TAB ASSY, Aileron LH	1	
	5284476-1								TAB ASSY, Aileron RH (ATTACHING PARTS)	1	
-19	AN3-12								BOLT	3	
	AN960-10								WASHER	6	
	AN310-3								NUT	3	
-20	5154655								SEAL ASSY, Aileron air inboard LH	1	
	5154655-1								SEAL ASSY, Aileron air inboard RH	1	
-21	5154656								SEAL ASSY, Aileron air outboard LH	1	
	5154656-1								SEAL ASSY, Aileron air outboard RH (ATTACHING PARTS)	1	
	AN520-10-10								SCREW	AR	
	AN520-10-12								SCREW	AR	
	AN520-10-18								SCREW	AR	
	AN530-8-10								SCREW	AR	
	AN960-10								WASHER	AR	
	5153006								PANEL ASSY, Wing structure LH (see figures 2 and 3)	Ref	A, B
	5153006-1								PANEL ASSY, Wing structure RH (see figures 2 and 3)	Ref	A, B
	5208851								PANEL ASSY, Wing structure LH (see figures 2 and 3)	Ref	C
	5208851-1								PANEL ASSY, Wing structure RH (see figures 2 and 3)	Ref	C
	5209202								PANEL ASSY, Wing structure LH (see figures 2 and 3)	Ref	D
	5209202-1								PANEL ASSY, Wing structure RH (see figures 2 and 3)	Ref	D
	5209604								PANEL ASSY, Wing structure LH (see figures 2 and 3)	Ref	E
	5209604-1								PANEL ASSY, Wing structure RH (see figures 2 and 3)	Ref	E
	5209705								PANEL ASSY, Wing structure LH (see figures 2 and 3)	Ref	F
	5209705-1								PANEL ASSY, Wing structure RH (see figures 2 and 3)	Ref	F
-22	5128026								SUPPORT, Wing flap inboard LH	1	
	5128026-1								SUPPORT, Wing flap inboard RH (ATTACHING PARTS)	1	
-23	NAS147-66								BOLT	1	
	NAS143-7								WASHER	1	
	NAS143-7C								WASHER	1	
	AN365-720								NUT	1	
-24	AN6H37A								BOLT (formerly 132100-6-37A)	1	
	1127680								NUT, Wing flap support upper	1	
-25	5128025								SUPPORT, Wing flap inboard LH	1	
	5128025-1								SUPPORT, Wing flap inboard RH (ATTACHING PARTS)	1	
-26	AN6H40A								BOLT (formerly 132100-6-40A)	1	
	1127680								NUT, Wing flap support upper	1	
-27	AN7-40A								BOLT	1	
	AN960D716								WASHER	1	
	AN365-720								NUT	1	
-28	4129574								FITTING, Wing hoist LH	1	
	4129574-1								FITTING, Wing hoist RH (ATTACHING PARTS)	1	
-29	NAS149-62								BOLT	1	
	NAS143-9								WASHER	1	
	NAS143-9C								WASHER	1	
	12B098								NUT, Stdp (EN)	1	
-30	NAS145-58								BOLT	1	
	NAS143-5								WASHER	1	
	NAS143-5C								WASHER	1	
	12B054								NUT, Stdp (EN)	1	
-31	5128029								SUPPORT, Wing flap outboard LH	1	
	5128029-1								SUPPORT, Wing flap outboard RH (ATTACHING PARTS)	1	
-32	NAS147-66								BOLT	1	
	NAS143-7								WASHER	1	
	NAS143-7C								WASHER	1	
-33	AN6H40A								BOLT (formerly 132100-6-40A)	1	
	1127680								NUT, Wing flap support upper	1	
	4128271								SUPPORT, Outboard wing flap center hinge (ATTACHING PARTS)	1	
-34	NAS152DH39								BOLT	1	
	NAS143-12								WASHER	1	
	NAS143-12C								WASHER	1	

Section II
Group Assembly Parts List

T.O. 1B-26B-4

FIGURE & INDEX NO.	PART NO.	DESCRIPTION							UNITS PER ASSY	USABLE ON CODE
		1	2	3	4	5	6	7		
5-35	12B126								1	
	AN6H16A								1	
	1127680								1	
	5128012								1	
-36	5128012-2								1	
-37	1026614-4-016								4	
-38	RBC-8								2	
-39	2129151								2	
										(ATTACHING PARTS)
-40	AN3-11A								3	
	AN960D10								3	
	AN365-1032								3	
	5128020								1	
	5128020-1								1	
										(ATTACHING PARTS)
-41	AN6H16A								1	
	AN960D716								1	
	1127680								1	
-42	AN7-17A								1	
	AN365-720								1	
										(ATTACHING PARTS)
-43	5128020-2								1	
	5128020-3								1	
-44	1206033								1	
	2126778								1	
										(ATTACHING PARTS)
-45	NAS54-13								1	
	AN960D416								1	
	AN310-4								1	
										(ATTACHING PARTS)
-46	1127765-2								1	
-47	AN316-5L								1	
-48	2126777								1	
-49	1127785-3								1	
-50	AN316-5R								1	
-51	1127763								2	
										(ATTACHING PARTS)
-52	NAS54-13								2	
	AN960D416								2	
	AN320-4								2	
										(ATTACHING PARTS)
-53	NAS54-17								1	
	AN960D416								1	
	AN310-4								1	
	5123848								1	
	5123848-1								1	
										(ATTACHING PARTS)
-54	NAS148-52								1	
-55	NAS148-58								1	
-56	AN5-13A								2	
	AN365-524								2	
										(ATTACHING PARTS)
-57	5123848-4								1	
	5123848-5								1	
-58	5153648-2								1	
-59	5123848								1	
	5123848-1								1	
										(ATTACHING PARTS)
-60	NAS148-126								1	
	MS20002-8								1	
	MS20002C8								1	
	12B080								1	
-61	NAS148-105								1	
	MS20002-8								1	
	MS20002C8								1	
	12B080								1	
-62	AN6-14A								3	
	AN960D616								3	
	AN365-624								3	
										(ATTACHING PARTS)
-63	AN5-15								1	
	1059608-3125-699-833								1	
	AN960-516								1	
	AN310-5								1	
-64	AN4-15								6	
	1026614G4-021								6	
	AN960-416								6	
	AN310-4								6	
										(ATTACHING PARTS)
		A USAF	41-39100	thru	41-39299	C USAF	41-39500	thru	41-39599	
			43-22252	thru	43-22443		44-35198	thru	44-35655	
			43-22467	thru	43-22345	D USAF	44-34098	thru	44-34217	
		B USAF	41-39300	thru	41-39499		44-38656	thru	44-35937	
			43-22444	thru	43-22466	E USAF	44-34218	thru	44-34332	
			43-22546	thru	43-22751		44-35938	thru	44-35996	
						F USAF	44-34333	thru	44-35197	

WING

Group Assembly Parts List

1-1-3-3-0

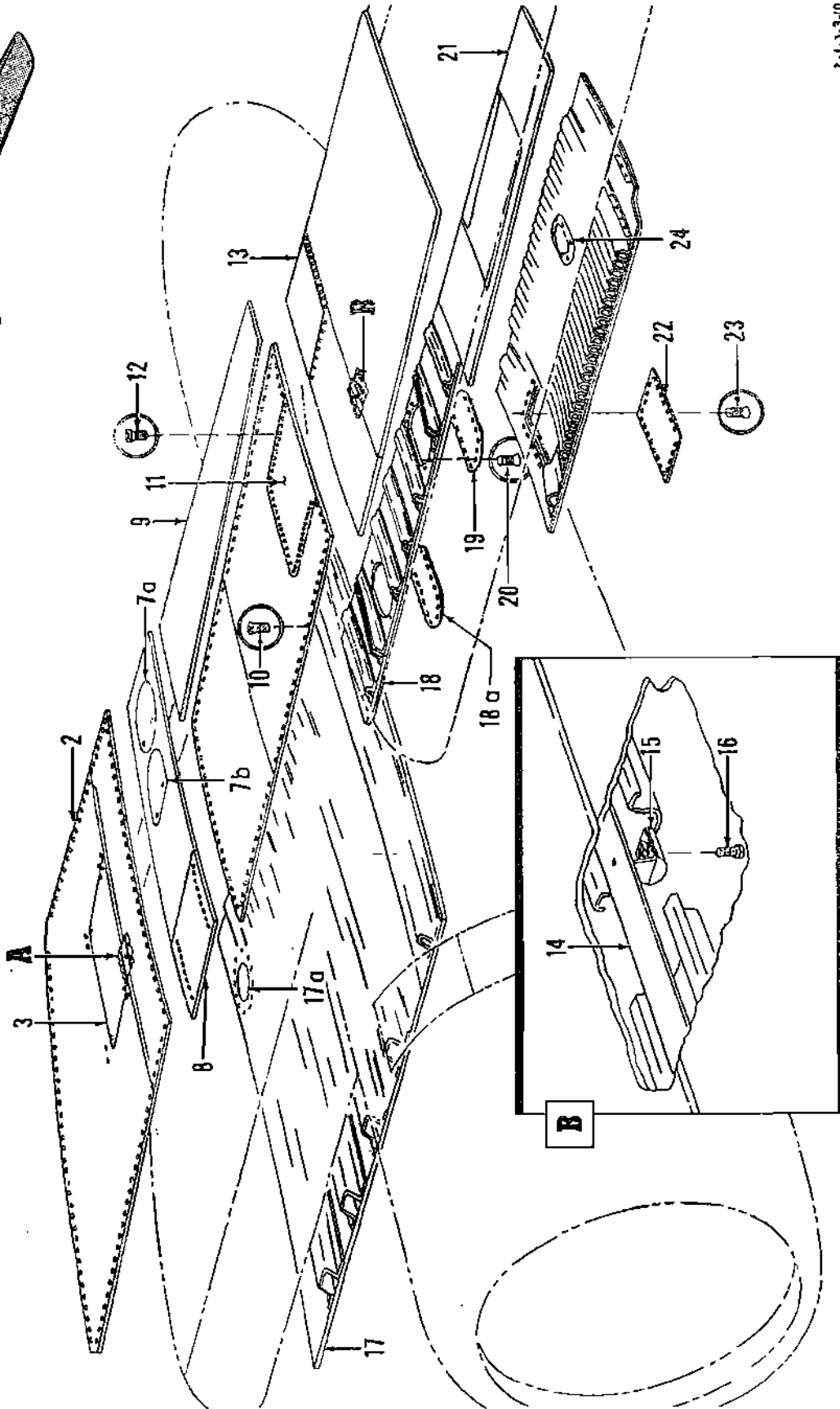
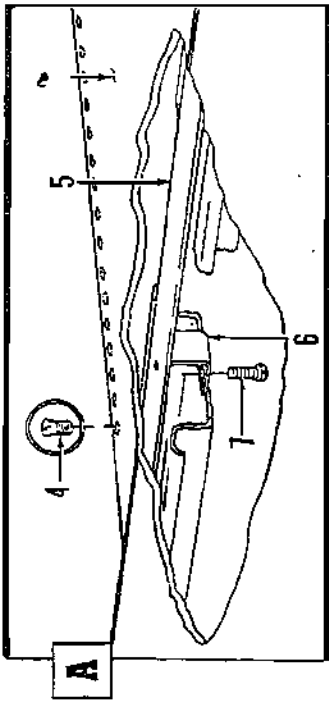
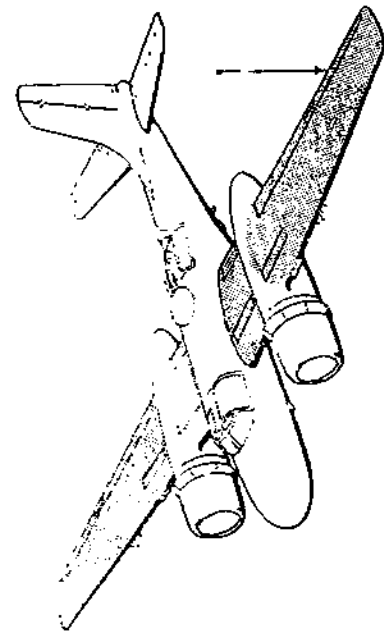


Figure 6. Wing Panel LH and RH Structure Assembly

Section II
Group Assembly Parts List

T.O. 1B-26B.4

FIGURE & INDEX NO.	PART NO.	1 2 3 4 5 6 7	DESCRIPTION	UNITS PER ASSY	USABLE ON CODE	
6-	5153005		STRUCTURE ASSY, Wing panel LH (see figure 3)	Ref	A	
	5153005-1		STRUCTURE ASSY, Wing panel RH (see figure 3)	Ref	A	
	5207600		STRUCTURE ASSY, Wing panel LH (see figure 3)	Ref	B	
	5207600-1		STRUCTURE ASSY, Wing panel RH (see figure 3)	Ref	B	
	5209203		STRUCTURE ASSY, Wing panel LH (see figure 3)	Ref	C	
	5209203-1		STRUCTURE ASSY, Wing panel RH (see figure 3)	Ref	C	
	5209728		STRUCTURE ASSY, Wing panel LH (see figure 3)	Ref	D	
	5209728-1		STRUCTURE ASSY, Wing panel RH (see figure 3)	Ref	D	
	-1	5153020		STRUCTURE ASSY, Wing panel outboard LH (see figures 32 and 33)	1	A,B
		5153020-1		STRUCTURE ASSY, Wing panel outboard RH (see figures 32 and 33)	1	A,B
5208913			STRUCTURE ASSY, Wing panel outboard LH (see figures 32 and 33)	1	C	
5208913-1			STRUCTURE ASSY, Wing panel outboard RH (see figures 32 and 33)	1	C	
5209606			STRUCTURE ASSY, Wing panel outboard LH (see figures 32 and 33)	1	D	
5209606-1			STRUCTURE ASSY, Wing panel outboard RH (see figures 32 and 33)	1	D	
5190511			PANEL ASSY, Wing upper skin LH	1	A	
5190511-1			PANEL ASSY, Wing upper skin RH	1	A	
5207448			PANEL ASSY, Wing upper skin LH	1	B-D	
5207448-1			PANEL ASSY, Wing upper skin RH	1	B-D	
	AN509-416R12		(ATTACHING PARTS)			
	1029421-416-14		SCREW (formerly 1029421-416-13)	3	A,B	
	AN509-416R14		SCREW, Flathead 100° recessed	AR	A,B	
	AN509-416R15		SCREW (formerly 1029421-416-15)	41	C,D	
	AN509-416R16		SCREW (formerly 1029421-416-16)	AR		
	AN509-416R17		SCREW (formerly 1029421-416-17)	AR	A,D	
	AN509-416R18		SCREW (formerly 1029421-416-18)	AR		
	AN509-416R19		SCREW (formerly 1029421-416-20)	AR	C,D	
-3	5190511-316		DOOR ASSY, Wing upper skin panel LH	1	A	
	5190511-317		DOOR ASSY, Wing upper skin panel RH	1	A	
	5207448-316		DOOR ASSY, Wing upper skin panel LH	1	B-D	
	5207448-317		DOOR ASSY, Wing upper skin panel RH	1	B-D	
			(ATTACHING PARTS)			
-4	1029421-416-12		SCREW, Flathead 100° recessed	80		
-5	5190511-338		SEAL, Wing upper skin panel	1	A	
	5207448-338		SEAL, Wing upper skin panel	1	B-D	
			(ATTACHING PARTS)			
-6	1143792		CLIP ASSY, Wing seal	12		
-7	AN530-8-8		SCREW	12		
-7a	4193534		DOOR ASSY, Wing access sta 79	1	A,B	
	4209791-502		DOOR ASSY, Wing fuel tank filler neck access	1	C,D	
-7b	4193535		DOOR ASSY, Wing fuel tank filler neck access	1	A,B	
	4209791-500		DOOR ASSY, Wing fuel tank filler neck access	1	C,D	
-8	5153005-364		COVER ASSY, Wing upper skin LH	1		
	5153005-365		COVER ASSY, Wing upper skin RH	1		
			(ATTACHING PARTS)			
	1029421-416-12		SCREW, Flathead 100° recessed	18		
	AN509-416R14		SCREW (formerly 1029421-416-15)	23		
-9	5190528		PANEL ASSY, Wing skin upper rear LH	1		
	5190528-1		PANEL ASSY, Wing skin upper rear RH	1		
	5190527		PANEL ASSY, Wing skin upper forward LH	1	A	
	5190527-1		PANEL ASSY, Wing skin upper forward RH	1	A	
	5207449		PANEL ASSY, Wing skin LH	1	B-D	
	5207449-1		PANEL ASSY, Wing skin RH	1	B-D	
			(ATTACHING PARTS)			
-10	AN509-416R14		SCREW (formerly 1029421-416-15)	32		
	AN509-416R15		SCREW (formerly 1029421-416-16)	71		
	AN509-416R16		SCREW (formerly 1029421-416-17)	45		
-11	5190527-290		DOOR ASSY, Wing skin LH	1	A	
	5190527-291		DOOR ASSY, Wing skin RH	1	A	
	5207449-290		DOOR ASSY, Wing skin LH	1	B-D	
	5207449-291		DOOR ASSY, Wing skin RH	1	B-D	
			(ATTACHING PARTS)			
-12	AN509-416R12		SCREW (formerly 1029421-416-13)	54		
	5190529		PANEL ASSY, Wing upper skin LH	1		
	5190529-1		PANEL ASSY, Wing upper skin RH	1		
-13	5190529-10		DOOR, Wing upper skin LH	1		
	5190529-11		DOOR, Wing upper skin RH	1		
			(ATTACHING PARTS)			
	AN509-10R8		SCREW (formerly 1029421-10-9)	25		
	1029421-10-10		SCREW, Flathead 100° recessed	1		
AN509-10R10		SCREW (formerly 1029421-10-11)	15			
1029421-10-12		SCREW, Flathead 100° recessed	4			
1029421-10-14		SCREW, Flathead 100° recessed	9			
1029421-10-16		SCREW, Flathead 100° recessed	2			
-14	5190529-276		SEAL, Wing upper skin	1		
			(ATTACHING PARTS)			
-15	1203035		CLIP ASSY, Wing seal	10		
-16	AN530-8-10		SCREW	10		

FIGURE & INDEX NO.	PART NO.	1	2	3	4	5	6	7	DESCRIPTION	UNITS PER ASSY	USABLE ON CODE
6-17	5190530								PANEL ASSY, Wing lower skin LH	1	
	5190530-1								PANEL ASSY, Wing lower skin RH	1	
-17e	5190530-162								COVER ASSY, Wing lower skin sta 32	1	
-18	5192569								PANEL ASSY, Wing lower rear skin LH	1	
	5192569-1								PANEL ASSY, Wing lower rear skin RH	1	
	5190531								PANEL ASSY, Lower skin LH	1	
	5190531-1								PANEL ASSY, Lower skin RH	1	
-18a	2192630								DOOR ASSY, Inboard wing access	2	
-19	2277371								DOOR, Inboard wing access (ATTACHING PARTS)	1	
-20	1027679P10-10								SCREW, Flathead 100° recessed	16	
-21	5192570								PANEL ASSY, Wing lower rear skin LH	1	
	5192570-1								PANEL ASSY, Wing lower rear skin RH	1	
	5180511								PANEL ASSY, Wing lower front skin LH	1	
	5190532-1								PANEL ASSY, Wing lower front skin RH	1	
-22	4279520								DOOR, Inboard wing access LH	1	D
	4279520-1								DOOR, Inboard wing access RH (ATTACHING PARTS)	1	D
-23	AN506-10R31								SCREW (formerly 1029421-10-32)	26	D
-24	4202954								FAIRING ASSY, Oil cooler drain valve	1	
		A USAF	41-39108	thru	41-39299	C USAF	44-34098	thru	44-34217		
			43-22252	thru	43-22443		44-35656	thru	44-35937		
			43-22467	thru	43-22545	D USAF	44-34218	thru	44-35197		
		B USAF	42-39300	thru	41-39599		44-35938	thru	44-35996		
			43-22444	thru	43-22466						
			43-22546	thru	43-22751						
			44-35198	thru	44-35655						

Section II
Group Assembly Parts List

T.O. 1B-26B-4

WING

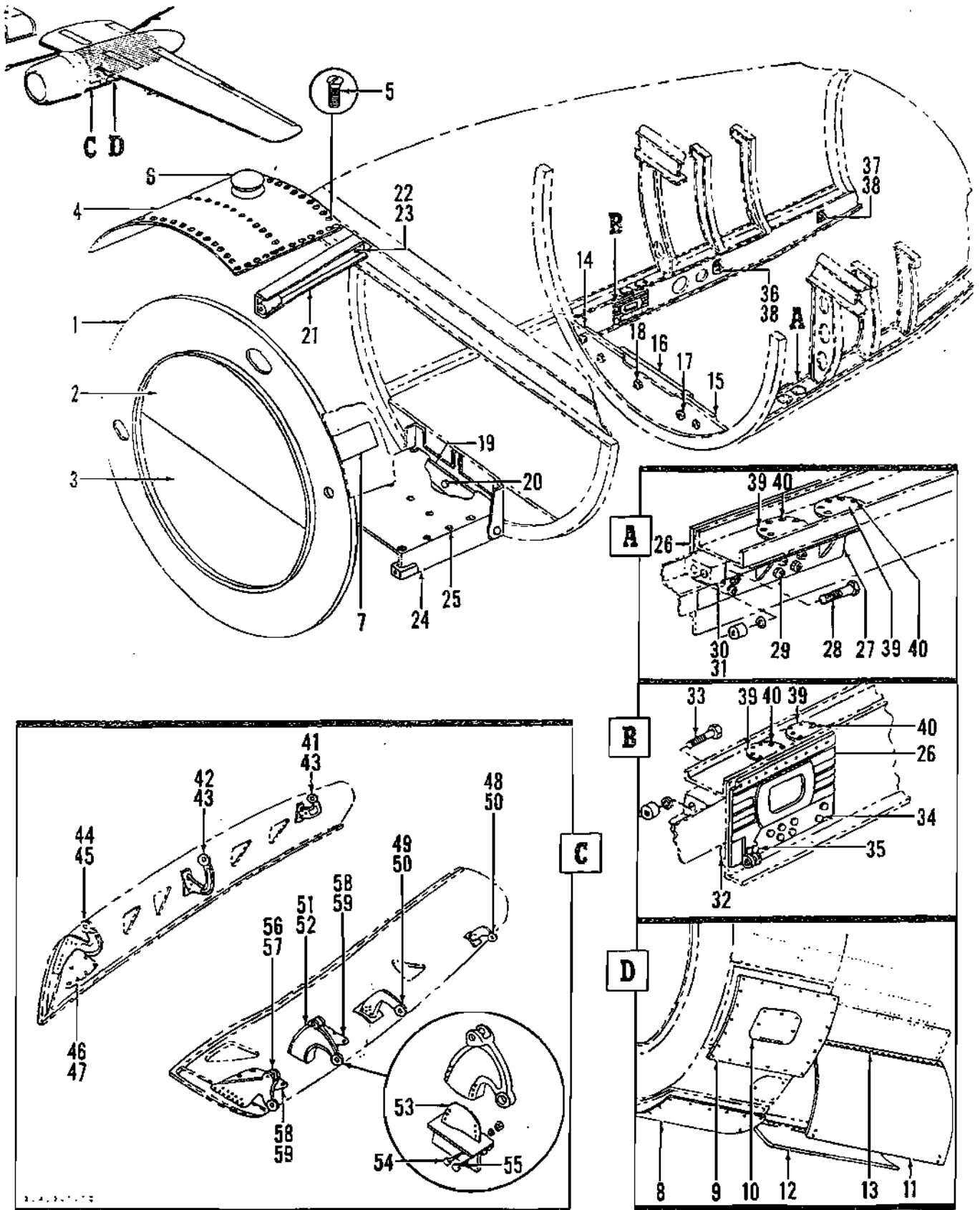


Figure 7. Nacelle Structure Assembly and Door Assembly

FIGURE & INDEX NO.	PART NO.	1 2 3 4 5 6 7	DESCRIPTION	UNITS PER ASSY	USABLE ON CODE
7-			NACELLE STRUCTURE ASSEMBLY AND DOOR ASSEMBLY		
	5153030		STRUCTURE ASSY, Nacelle LH (see figure 3)	Ref	A
	5153030-1		STRUCTURE ASSY, Nacelle RH (see figure 3)	Ref	A
	5208852		STRUCTURE ASSY, Nacelle LH (see figure 3)	Ref	B,C
	5208852-1		STRUCTURE ASSY, Nacelle RH (see figure 3)	Ref	B,C
	5202687		FIREWALL ASSY, Nacelle LH	1	A
	5202688		FIREWALL ASSY, Nacelle RH	1	A
	5208394		FIREWALL ASSY, Nacelle LH	1	B,C
	5208396		FIREWALL ASSY, Nacelle RH	1	B,C
-1	5202687-26		FIREWALL ASSY, Nacelle LH	1	A
	5202688-26		FIREWALL ASSY, Nacelle RH	1	A
	5208394-26		FIREWALL ASSY, Nacelle LH	1	B,C
	5208396-26		FIREWALL ASSY, Nacelle RH	1	B,C
-2	5122034-20		PANEL ASSY, Firewall access upper	1	
-3	5122034-22		PANEL ASSY, Firewall access lower	1	
-4	5153030-136		PANEL ASSY, Nacelle LH	1	A
	5153030-137		PANEL ASSY, Nacelle RH	1	A
	5208852-136		PANEL ASSY, Nacelle LH	1	B,C
	5208852-137		PANEL ASSY, Nacelle RH	1	B,C
-5	AN507-1032-10		(ATTACHING PARTS)		
			SCREW	84	
-6	4193549		COVER ASSY, Oil tank filler	1	A,B
	4208952		COVER ASSY, Access	1	C
-7	2153942		DOOR ASSY, Engine mount bolt access	4	
	5154632		DOOR ASSY, Nacelle inboard access LH	1	
	5204115		DOOR ASSY, Nacelle inboard access RH	1	
-8	5154632-6		DOOR ASSY, Nacelle inboard access LH	1	
	5204115-15		DOOR ASSY, Nacelle inboard access RH	1	
	5204115-14		DOOR ASSY, Nacelle inboard access RH	1	
	5154635		DOOR ASSY, Nacelle outboard access LH	1	
	5204114		DOOR ASSY, Nacelle outboard access RH	1	
-9	5154635-18		DOOR ASSY, Nacelle outboard access LH	1	
-10	5154635-16		DOOR ASSY, Nacelle outboard access LH	1	
	5204114-6		DOOR ASSY, Nacelle outboard access RH	1	
-11	5153030-128		DOOR, Nacelle outboard LH	1	A
	5153030-129		DOOR, Nacelle outboard RH	1	A
	5208852-128		DOOR, Nacelle outboard LH	1	B,C
	5208852-129		DOOR, Nacelle outboard RH	1	B,C
-12	5153030-120		DOOR, Nacelle inboard LH	1	A
	5153030-121		DOOR, Nacelle inboard RH	1	A
	5208852-120		DOOR, Nacelle inboard LH	1	B,C
	5208852-121		DOOR, Nacelle inboard RH	1	B,C
			(ATTACHING PARTS)		
-13	1000759S120-4000		PIN, Hood hinge	2	
-14	4192967		PLATE, Nacelle armor	1	
-15	4192965		PLATE, Nacelle armor	1	
-16	4192966		PLATE, Nacelle armor LH	1	
	4192966-1		PLATE, Nacelle armor RH	1	
			(ATTACHING PARTS)		
-17	AN6-21A		BOLT	3	
	AN960D616		WASHER	3	
	AN365-624		NUT	3	
-18	AN6-12A		BOLT	2	
	NAS43DD10-9		SPACER	2	
	AN960D616		WASHER	2	
	AN365-624		NUT	2	
-19	4192968		PLATE, Nacelle armor LH	1	
	4192968-1		PLATE, Nacelle armor RH	1	
			(ATTACHING PARTS)		
-20	AN6-20A		BOLT	3	
	AN960D616		WASHER	3	
	AN365-624		NUT	3	
-21	5157862		SUPPORT ASSY, Engine mount inboard LH	1	
	5157862-1		SUPPORT ASSY, Engine mount inboard RH	1	
	5157863		SUPPORT ASSY, Engine mount outboard LH	1	
	5157863-1		SUPPORT ASSY, Engine mount outboard RH	1	
			(ATTACHING PARTS)		
-22	AN3-5A		BOLT	2	
	AN960-10		WASHER	2	
	AN365-1032		NUT	2	
-23	AN3-4A		BOLT	4	
	AN960-10		WASHER	4	
	AN365-1032		NUT	4	
-24	5190445		FLOOR ASSY, Nacelle mechanic	1	
			(ATTACHING PARTS)		
-25	AN520-10R8		SCREW	13	

Section II
Group Assembly Parts List

T.O. 1B-26B-4

FIGURE * INDEX NO.	PART NO.	1	2	3	4	5	6	7	DESCRIPTION	UNITS PER ASSY	USABLE ON CODE
7-	5153029								STRUCTURE ASSY, Nacelle rear LH	1	
	5153029-1								STRUCTURE ASSY, Nacelle rear RH	1	
-26	5123578								SPACER, Landing gear support inboard LH	1	
	5123578-1								SPACER, Landing gear support inboard RH	1	
	5123553								SPACER, Landing gear support outboard LH	1	
	5123553-1								SPACER, Landing gear support outboard RH	1	
-27	4158800								FITTING, Outboard aft landing gear support	1	
	4158800-1								FITTING, Outboard aft landing gear support (ATTACHING PARTS)	1	
-28	NAS145-26								BOLT	2	
	MS20002-5C								WASHER (formerly 1075888-5A)	2	
	MS20002-5								WASHER (formerly 1075888-5)	2	
	12B054								NUT, Self locking internal wrenching nickel steel 5/16 in. 24 thd	2	
-29	AN4-7A								BOLT	4	
	AN960C416								WASHER	4	
	AN365-428								NUT	4	
-30	AN4-12A								BOLT	3	
	AN960C416								WASHER	3	
	AN365-428								NUT	3	
-31	AN4-10A								BOLT	2	
	AN960C416								WASHER	2	
	AN365-428								NUT	2	
-32	4157999								FITTING, Landing gear support LH	1	
	4157999-1								FITTING, Landing gear support RH (ATTACHING PARTS)	1	
-33	NAS147-32								BOLT	2	
	1075888-7A								WASHER	2	
	1075888-7								WASHER	2	
	12B070								NUT, Self locking internal wrenching nickel steel 7/16 in. 20 thd	2	
-34	AN4-7A								BOLT	7	
	AN960C416								WASHER	7	
	AN365-428								NUT	7	
-35	AN4-12A								BOLT	2	
	AN960C416								WASHER	2	
	AN365-428								NUT	2	
-36	2123247								FITTING, Nacelle door hinge bracket	2	
-37	2126604								FITTING, Nacelle door hinge bracket LH	1	
	2126604-1								FITTING, Nacelle door hinge bracket RH (ATTACHING PARTS)	1	
-38	AN509-416R 14								SCREW (formerly 1029421-416-15)	2	
	AN365-428								NUT	2	
-39	5153029-114								COVER	3	
	5153029-182								COVER (ATTACHING PARTS)	1	
-40	AN520-10R8								SCREW	8	
	5153035								DOOR ASSY, Nacelle inboard LH (see figure 3)	Ref	
	5153035-1								DOOR ASSY, Nacelle inboard RH (see figure 3)	Ref	
-41	2159795								FITTING ASSY, Inboard nacelle door hinge LH	1	
	2159795-1								FITTING ASSY, Inboard nacelle door hinge RH	1	
-42	2159796								FITTING ASSY, Inboard nacelle door hinge LH	1	
	2159796-1								FITTING ASSY, Inboard nacelle door hinge RH (ATTACHING PARTS)	1	
-43	AN3-7A								BOLT	3	
	AN960D10								WASHER	3	
	AN365-1032								NUT	3	
-44	4127526								FITTING ASSY, Inboard nacelle door hinge LH	1	
	4127526-1								FITTING ASSY, Inboard nacelle door hinge RH (ATTACHING PARTS)	1	
-45	AN3-7A								BOLT	8	
	AN960D10								WASHER	8	
	AN365-1032								NUT	8	
-46	5153035-54								COVER (ATTACHING PARTS)	1	
-47	NAS221-8								SCREW (formerly 1029679P10-7)	15	
	5153037								DOOR ASSY, Nacelle outboard LH (see figure 3)	Ref	
	5153037-1								DOOR ASSY, Nacelle outboard RH (see figure 3)	Ref	
-48	2190831								FITTING ASSY, Outboard nacelle door hinge LH	1	
	2190831-1								FITTING ASSY, Outboard nacelle door hinge RH	1	
-49	2190838								FITTING ASSY, Outboard nacelle door hinge LH	1	
	2190838-1								FITTING ASSY, Outboard nacelle door hinge RH (ATTACHING PARTS)	1	
-50	AN3-6A								BOLT	3	

FIGURE & INDEX NO.	PART NO.	1	2	3	4	5	6	7	DESCRIPTION	UNITS PER ASSY	USABLE ON CODE		
7-	AN960D10								WASHER	3			
	AN365-1032								NUT	3			
	1127864								BUSHING	1			
-51	4190339								FITTING ASSY, Outboard nacelle door hinge (ATTACHING PARTS)	1			
-52	AN4-14A								BOLT	6			
	AN960D416								WASHER	6			
	AN365-428								NUT	6			
-53	5153037-48								PLATE, Fitting attaching LH	1			
	5153037-49								PLATE, Fitting attaching RH (ATTACHING PARTS)	1			
-54	AN4-10A								BOLT	6			
	AN960D416								WASHER	6			
	AN365-428								NUT	6			
-55	AN5-10A								BOLT	1			
	AN960D516								WASHER	1			
	AN365-524								NUT	1			
-56	4127530								FITTING ASSY, Outboard nacelle door hinge LH	1			
	4127530-1								FITTING ASSY, Outboard nacelle door hinge RH (ATTACHING PARTS)	1			
-57	AN4-7A								BOLT	12			
	AN960D416								WASHER	12			
	AN365-428								NUT	12			
-58	5153037-38								COVER (ATTACHING PARTS)	2			
-59	NAS221-B								SCREW (formerly 1029679P10-7)	30			
		A	USAF	41-39100	thru	41-39499			C	USAF	44-34098	thru	44-35197
				43-22252	thru	43-22751					44-35400	thru	35996
		B	USAF	41-39500	thru	41-39599							
				44-35198	thru	44-35399							

WING

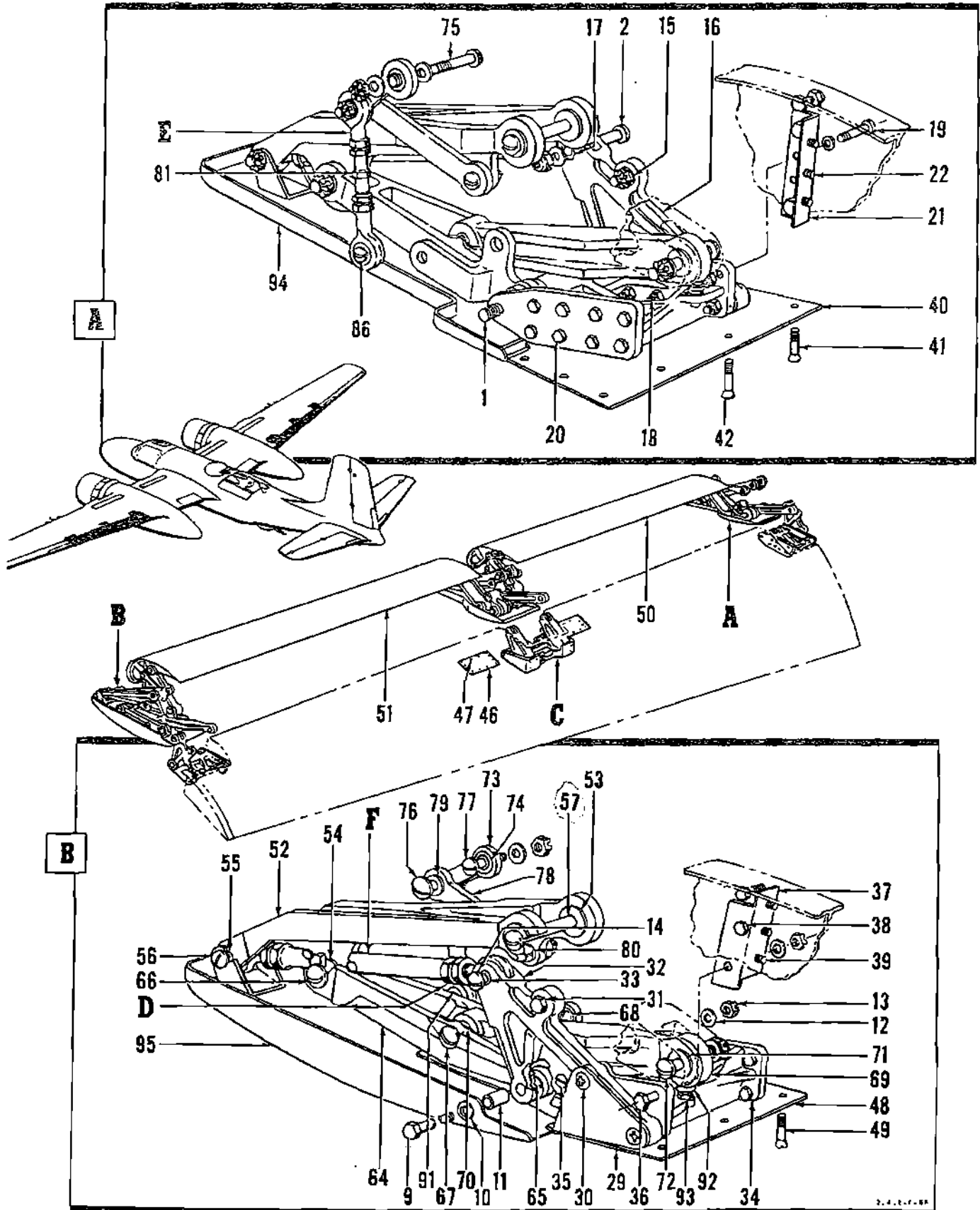


Figure 8. Wing LH and RH Flap Installation (Outboard) (Sheet 1 of 2)

WING

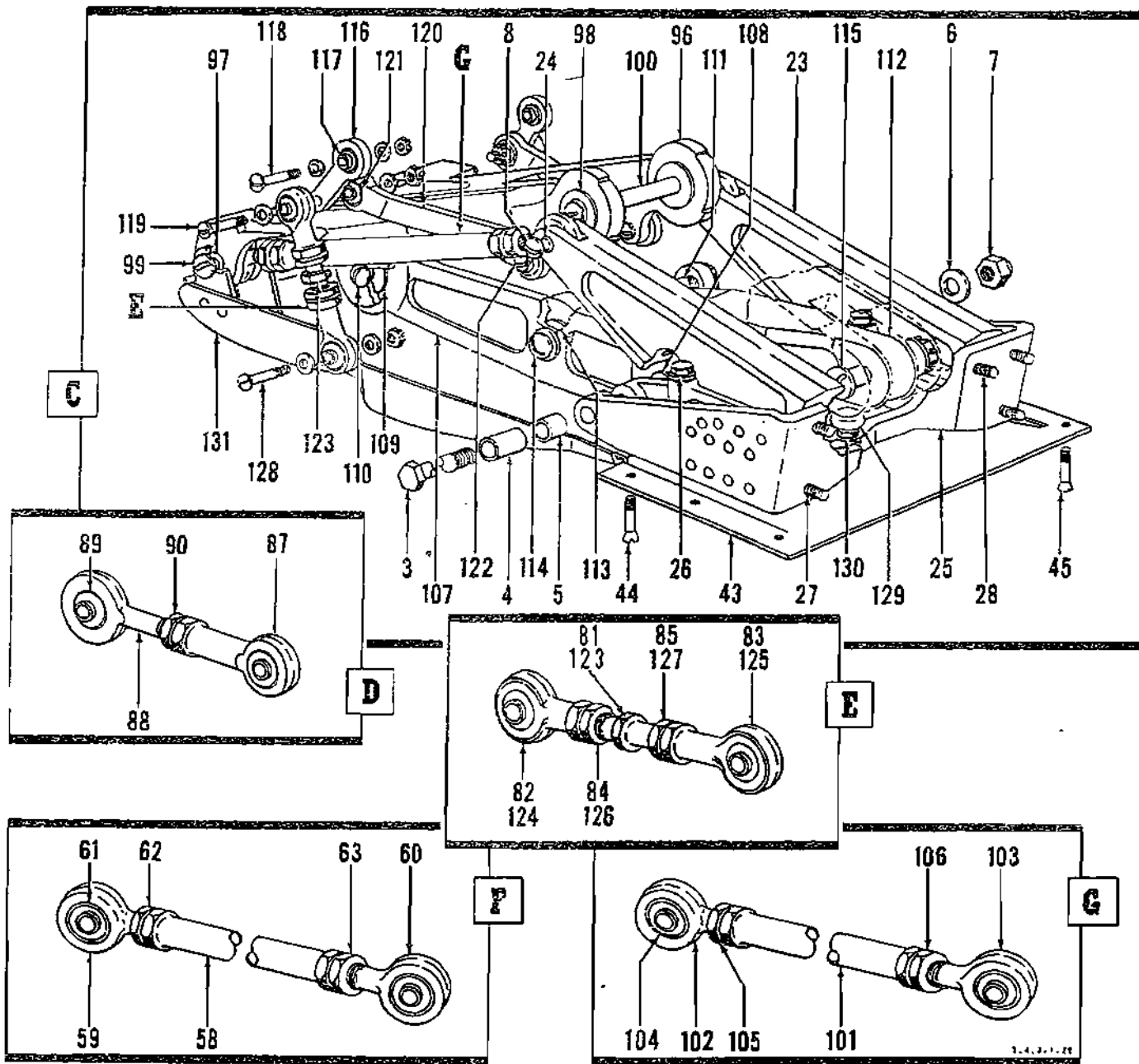


Figure 8. Wing LH and RH Flap Installation (Outboard) (Sheet 2 of 2)

FIGURE & INDEX NO.	PART NO.								DESCRIPTION	UNITS PER ASSY	USABLE ON CODE
		1	2	3	4	5	6	7			
8-	5153048								FLAP INSTL, Wing LH (see figure 2)	Ref	
	5153048-1								FLAP INSTL, Wing RH (see figure 2)	Ref	
	5153050								FLAP ASSY, Wing outboard LH (see figure 9)	1	
	5153050-1								FLAP ASSY, Wing outboard RH (see figure 9)	1	
		(ATTACHING PARTS)									
-1	AN4HS1A								BOLT (formerly 132100-4-51A) (used at sta 142)	1	
	124682-4S11-030								WASHER (Used at sta 142)	1	
	1026614-4-030								SPACER, Steel OD; bearing (used at sta 142)	1	
-2	AN960-416L								WASHER (Used at sta 142)	1	
	AN24-13								BOLT (Used at sta 142)	1	
	AN960-416L								WASHER (Used at sta 142)	1	
	AN320-4								NUT (Used at sta 142)	1	

Section II
Group Assembly Parts List

T.O. 1B-26B-4

FIGURE & INDEX NO.	PART NO.	DESCRIPTION							UNITS PER ASSY	USABLE ON CODE
		1	2	3	4	5	6	7		
8-3	2207950	BOLT, Wing flap mechanism (used at sta 203)							1	
-4	NAS75-6-032	BUSHING (Used at sta 203)							1	
-5	NAS43DD6-24A	SPACER (Used at sta 203)							1	
-6	AN960D616	WASHER (Used at sta 203)							1	
-7	AN310-6	NUT (Used at sta 203)							1	
-8	AN24-21	BOLT (Used at sta 203)							2	
	AN960-416L	WASHER (Used at sta 203)							2	
	AN320-4	NUT (Used at sta 203)							2	
-9	AN4-50	BOLT (Used at sta 270)							1	
-10	124682-4S11-030	WASHER (Used at sta 270)							2	
-11	1026614-4-030	SPACER, Steel DD bearing (used at sta 270)							1	
-12	AN960-416L	WASHER (Used at sta 270)							1	
-13	AN320-4	NUT (Used at sta 270)							1	
-14	AN24-19	BOLT (Used at sta 270)							1	
	AN960-416L	WASHER (Used at sta 270)							1	
	AN320-4	NUT (Used at sta 270)							1	
	4208191	HINGE ASSY, Outboard flap rotating rod stationary sta 142 LH							1	
	4208191-1	HINGE ASSY, Outboard flap rotating rod stationary sta 142 RH							1	
		(ATTACHING PARTS)								
-15	AN4-14A	BOLT							2	
	AN960D416	WASHER							2	
	AN365-428	NUT							2	
-16	4208191-2	HINGE, LH							1	
	4208191-3	HINGE, RH							1	
-17	116500-4S008	BUSHING, Cold rolled steel 1/4 ID by 0.376 OD by 1 1/2 in. long							1	
	4127480	HINGE, Outboard flap stationary LH							1	
	4127480-1	HINGE, Outboard flap stationary RH							1	
		(ATTACHING PARTS)								
-18	ANS07-1032-10	SCREW							5	
	AN960D10	WASHER							5	
	AN365-1032	NUT							5	
-19	AN3-5A	BOLT							1	
	AN960D10	WASHER							1	
	AN365-1032	NUT							1	
-20	AN3-7A	BOLT							8	
	AN365-1032	NUT							8	
-21	5153050-250	ANGLE, Wing outboard flap LH							1	
	5153050-251	ANGLE, Wing outboard flap RH							1	
		(ATTACHING PARTS)								
-22	AN3-5A	BOLT							6	
	AN960D10	WASHER							6	
	AN365-1032	NUT							3	
	4128102	HINGE ASSY, Wing sta 204 outboard flap rotating rod stationary							2	
-23	4128102-2	HINGE							1	
-24	116500-4S010	BUSHING, Cold rolled steel 1/4 ID by 0.376 OD by 3/8 in. long							2	
-25	5128419	HINGE, Wing sta 204 outboard flap stationary							1	
-26	AN5-26A	BOLT							4	
	AN960D516	WASHER							4	
	AN365-524	NUT							4	
-27	AN4-7A	BOLT							2	
	AN960D416	WASHER							2	
-28	AN4-11A	BOLT							4	
	AN960D416	WASHER							4	
-29	5153050-88	ANGLE, Wing outboard flap LH							1	
	5153050-89	ANGLE, Wing outboard flap RH							1	
	4127482	HINGE ASSY, Outboard flap rotating rod stationary							1	
	4127482-1	HINGE ASSY, Outboard flap rotating rod stationary							1	
		(ATTACHING PARTS)								
-30	ANS09-416R27	SCREW (formerly 1029421-416-28)							2	
	AN960D416	WASHER							2	
	AN365-428	NUT							2	
-31	AN4-10A	BOLT							2	
	AN960D416	WASHER							2	
	AN365-428	NUT							2	
-32	4127482-2	HINGE, LH							1	
	4127482-3	HINGE, RH							1	
-33	116500-4S008	BUSHING, Cold rolled steel 1/4 ID by 0.376 OD by 1/4 in. long							2	
-34	4127480	HINGE, Outboard flap stationary LH							1	
	4127480-1	HINGE, Outboard flap stationary RH							1	
		(ATTACHING PARTS)								
-35	ANS07-1032-12	SCREW							5	
	AN960D10	WASHER							5	
	AN365-1032	NUT							5	
-36	AN3-6A	BOLT							1	
	AN960D10	WASHER							1	
	AN365-1032	NUT							1	
-37	5153050-214	ANGLE, LH							1	
	5153050-215	ANGLE, RH							1	

FIGURE & INDEX NO.	PART NO.	1 2 3 4 5 6 7	DESCRIPTION	UNITS PER ASSY	USABLE ON CODE
			(ATTACHING PARTS)		
8-38	AN3-5A		BOLT	2	
	AN365-1032		NUT	2	
-39	AN3-5A		BOLT	3	
	AN960D10		WASHER	3	

-40	5153050-84		COVER, LH	1	
	5153050-85		COVER, RH	1	
			(ATTACHING PARTS)		
-41	AN507-1032-8		SCREW	6	
-42	AN507-1032-10		SCREW	2	

-43	5153050-140		FAIRING	1	
			(ATTACHING PARTS)		
-44	AN507-1032-8		SCREW	4	
-45	AN507-1032-12		SCREW	2	

-46	5153050-196		COVER	2	
			(ATTACHING PARTS)		
-47	AN507-1032-8		SCREW	12	

-48	5153050-90		COVER, LH	1	
	5153050-91		COVER, RH	1	
			(ATTACHING PARTS)		
-49	AN507-1032-8		SCREW	8	

-50	5157406		DEFLECTOR ASSY, Outboard flap inboard LH (interchangeable with 5208865)	1	
	5157406-1		DEFLECTOR ASSY, Outboard flap inboard RH (interchangeable with 5208865-1)	1	
	5208865		DEFLECTOR ASSY, Outboard flap inboard LH (interchangeable with 5157406)	1	
	5208865-1		DEFLECTOR ASSY, Outboard flap inboard RH (interchangeable with 5157406-1)	1	
-51	5157407		DEFLECTOR ASSY, Outboard flap outboard LH (interchangeable with 5208882)	1	
	5157407-1		DEFLECTOR ASSY, Outboard flap outboard RH (interchangeable with 5208882-1)	1	
	5208882		DEFLECTOR ASSY, Outboard flap outboard LH (interchangeable with 5157407)	1	
	5208882-1		DEFLECTOR ASSY, Outboard flap outboard RH (interchangeable with 5157407-1)	1	
	4127476		LINK ASSY, Outboard flap wing sta 270-1/2 and 144-1/4 forward LH	2	
	4127476-1		LINK ASSY, Outboard flap wing sta 270-1/2 and 144-1/4 forward RH	2	
-52	4127476-2		LINK LH	1	
	4127476-3		LINK RH	1	
-53	RBC6		BEARING, Needle (RBC)	2	
-54	RBC7		BEARING, Needle (RBC)	1	
-55	116500-4S008		BUSHING, Cold rolled steel 1/4 ID by 0.376 OD by 1/4-in. long	2	
-56	AN24-36		BOLT	2	
	1026614-4-002		SPACER, OD bearing	2	
	1026614-4-101		SPACER, OD bearing	2	
	AN320-4		NUT	2	
-57	AN25-50		BOLT	2	
	AN960D616		WASHER	2	
	AN320-6		NUT	2	
	2126684-2		ROD ASSY, Flap rotating	2	
-58	2126685-1		TUBE ASSY, Flap rotating rod	1	
	2126686-2		BEARING ASSY, Flap rotating rod LH thread	1	
	2126686-3		BEARING ASSY, Flap rotating rod RH thread	1	
-59	2126686-8		HOUSING	1	
-60	2126686-9		HOUSING	1	
-61	RBC4		BEARING, Needle (RBC)	2	
-62	AN316-6L		NUT	1	
-63	AN316-6R		NUT	1	
	4127478		HINGE ASSY, Outboard flap wing sta 270-1/2 and 144-1/2 moving LH	2	
	4127478-1		HINGE ASSY, Outboard flap wing sta 270-1/2 and 144-1/2 moving RH	2	
-64	4127478-2		HINGE, LH	1	
	4127478-3		HINGE, RH	1	
-65	RBC4		BEARING, Needle (RBC)	2	
-66	AN27-25		BOLT	2	
	AN960D716L		WASHER	2	
	AN320-7		NUT	2	
-67	AN25-54		BOLT	2	
	AN960-316L		WASHER	2	
	AN320-5		NUT	2	
-68	AN24-27		BOLT	2	
	AN960-416L		WASHER	2	
	AN320-4		NUT	2	
	4127461		LINK ASSY, Outboard flap sta 270-1/2 and 144-1/4 aft	2	
-69	4127461-2		LINK	1	
-70	RBC5		BEARING, Needle (RBC)	2	

Section II
Group Assembly Parts List

T.O. 1B-26B-4

FIGURE & INDEX NO.	PART NO.	DESCRIPTION							UNITS PER ASSY	USABLE ON CODE	
		1	2	3	4	5	6	7			
8-71	RBC7									1	
-72	AN27-23									2	
	AN960D716									2	
	AN320-7									2	
	1127639									2	
-73	1127639-2									1	
-74	AN200K3L									1	
-75	AN23-29									1	
	1035349									1	
	AN960-10L									1	
	AN320-3									1	
-76	AN23-17									2	
	1035349									3	
	AN960-10L									2	
	AN320-3									2	
-77	AN23-34									1	
	1035349									1	
	AN960-10L									1	
	AN320-3									1	
	1127638-2									2	
-78	1127638-6									1	
-79	AN100K3L									1	
-80	AN23-13									2	
	1035349									2	
	AN960-10L									2	
	AN320-3									2	
-81	1127677-4									1	
-82	1127676-4									1	
-83	RE3FL4									1	
-84	RE3F4									1	
-85	AN316-4L									1	
-86	AN316-4R									1	
	AN23-17									1	
	1035349									1	
	AN960-10L									1	
	AN320-3									1	
-87	1127648									1	
	RE3F4									1	
	1127649									1	
-88	1127649-2									1	
-89	KS3L									1	
-90	AN316-4R									1	
-91	AN23-17									1	
	AN960-10L									1	
	AN320-3									1	
-92	227951B-302									2	
-93	AN335-4									1	
	AN960-416L									1	
-94	4194674									1	
	4194674-1									1	
-95	4194673									1	
	4194673-1									1	
	4127572									1	
-96	4127572-2									1	
-97	116500-4S006									4	
-98	RBC6									2	
-99	AN24-18									2	
	1026614-4-002									4	
	AN320-4									2	
-100	AN28-66									1	
	AN960D816									1	
	AN320-8									1	
-101	2126684-4									2	
	2126685-1									1	
	2126686-4									1	
-102	2126686-5									1	
-103	2126686-10									1	
-104	2126686-11									1	
-105	RBC4									2	
-106	AN316-6L									1	
	AN316-6R									1	
	4127570									1	
-107	4127570-1									1	
	4127570-2									1	
	4127570-3									1	
-108	RBC6									1	
-109	RBC8									1	
-110	AN28-24									1	
	AN960D816									1	
	AN320-8									1	
-111	AN24-48									2	
	AN960-416L									2	
	AN320-4									2	
	4127562									1	

FIGURE & INDEX NO.	PART NO.	DESCRIPTION							UNITS PER ASSY	USABLE ON CODE
		1	2	3	4	5	6	7		
8-112	4127562-2								1	
-113	RBC8								2	
-114	2279245								1	
	AN960D816								1	
	AN320-8								1	
-115	AN28-42								1	
	AN 960D816								1	
	AN320-8								1	
	1127639								2	
-116	1127639-2								1	
-117	AN200K3L								1	
-118	AN23-11								2	
	1035349								2	
	AN960-10*								2	
	AN320-3								2	
-119	AN23-20								2	
	1035349								2	
	AN960-10L								2	
	AN320-3								2	
	1127790								2	
-120	1127760-2								1	
-121	AN200K3L								2	
-122	AN23-13								2	
	1035349								2	
	AN960-10L								2	
	AN320-3								2	
	1127677-6								2	
-123	1127676-6								1	
-124	RE3FL4								1	
-125	RE3F4								1	
-126	AN316-4L								1	
-127	AN316-4R								1	
-128	AN23-17								2	
	1035349								2	
	AN960-10L								2	
	AN320-3								2	
-129	2279518-500								1	
-130	AN335-4								1	
	AN960-416L								1	
-133	4129436								1	

Section II
Group Assembly Parts List

T.O. 1B-26B-4

WING

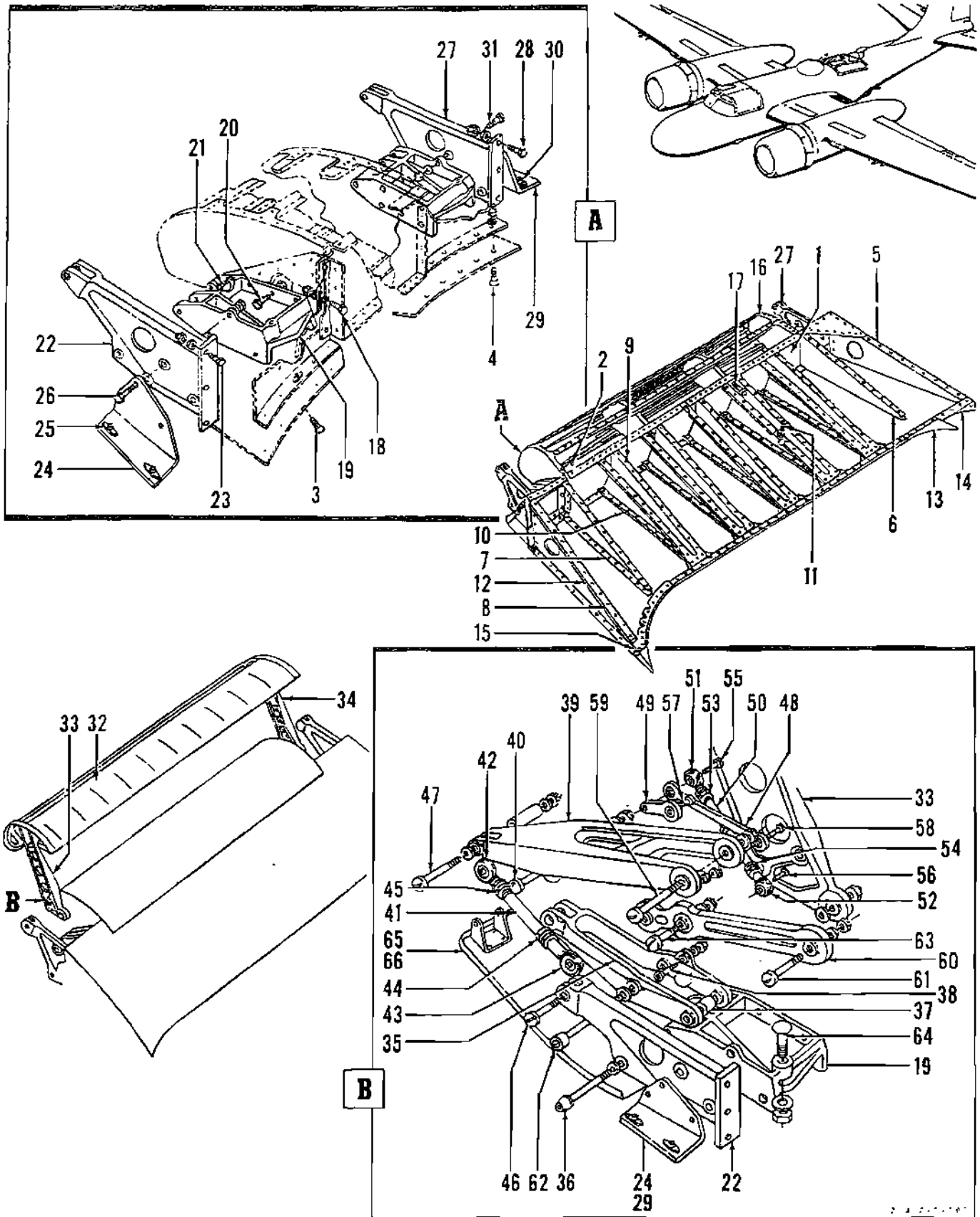


Figure 9. Wing LH and RH Flap Installation (Inboard)

FIGURE & INDEX NO.	PART NO.	DESCRIPTION							UNITS PER ASSY	USABLE ON CODE
		1	2	3	4	5	6	7		
9-	5153048	FLAP INSTL, Wing LH (see figure 2)							Ref	
	5153048-1	FLAP INSTL, Wing RH (see figure 2)							Ref	
	5153050	FLAP ASSY, Wing outboard LH (see figure 8)							Ref	
	5153050-1	FLAP ASSY, Wing outboard RH (see figure 8)							Ref	
	5153049	STRUCTURE ASSY, Flap inboard LH							k	
	5153049-1	STRUCTURE ASSY, Flap inboard RH							1	
-1	5157812	SPAR ASSY, Inboard flap LH							1	
	5157812-1	SPAR ASSY, Inboard flap RH							1	
-2	1087510-10-10	SCREW, Flathead 100° recessed							48	
-3	AN507-1032R8	SCREW (formerly 1087510-10-8)							43	
-4	AN507-1032R8	SCREW (formerly 1087510-10-8)							2	
	AN960D516	WASHER							3	
	AN365-1032	NUT							3	
-5	5153049-14	BULKHEAD, Inboard flap sta 32 LH							1	
	5153049-15	BULKHEAD, Inboard flap sta 32 RH							1	
-6	5153049-76	BULKHEAD, Inboard flap sta 37 LH							1	
	5153049-77	BULKHEAD, Inboard flap sta 37 RH							1	
-7	5153049-78	BULKHEAD, Inboard flap sta 79 LH							1	
	5153049-79	BULKHEAD, Inboard flap sta 79 RH							1	
-8	5153049-12	BULKHEAD, Inboard flap sta 54 LH							1	
	5153049-13	BULKHEAD, Inboard flap sta 54 RH							1	
-9	5153049-88	PANEL ASSY, Inboard flap upper LH							1	
	5153049-87	PANEL ASSY, Inboard flap upper RH							1	
-10	5153049-90	PANEL ASSY, Inboard flap lower LH							1	
	5153049-91	PANEL ASSY, Inboard flap lower RH							1	
-11	AN520-10-8	SCREW							8	
-12	1125594-2000	BULB, Extruded elastic (parts to be in accordance with Douglas drawing number 5153049-112)							1	
-13	4128284	FILLET, Inboard flap trailing edge inboard LH							1	
	4128284-1	FILLET, Inboard flap trailing edge inboard RH							1	
-14	5153049-74	BULKHEAD, Inboard flap sta 32 LH							1	
	5153049-75	BULKHEAD, Inboard flap sta 32 RH							1	
-15	65E30699-02	FILLET, Inboard flap trailing edge outboard LH							1	
	65E30699-01	FILLET, Inboard flap trailing edge outboard RH							1	
-16	5153049-96	NOSE ASSY, Inboard flap LH							1	
	5153049-97	NOSE ASSY, Inboard flap RH							1	
-17	AN3-4A	BOLT							2	
	AN960D10	WASHER							4	
-18	AN4-6A	BOLT							6	
	AN960D416	WASHER							6	
	AN365-428	NUT							6	
-19	4128106	HINGE, Inboard flap stationary LH (LH and RH)							1	
	4128106-1	HINGE, Inboard flap stationary RH (LH and RH)							1	
-20	AN3-6A	BOLT							6	
	AN365-1032	NUT							6	
-21	AN23-11A	SCREW							2	
	AN365-1032	NUT							2	
-22	4128108-1	HINGE ASSY, Rotating rod stationary sta 81 LH							1	
	4128108	HINGE ASSY, Rotating rod stationary sta 81 RH							1	
-23	AN4-7A	BOLT							3	
	AN960D416	WASHER							3	
	AN365-428	NUT							3	
-24	5153049-56	ANGLE, Inboard flap sta 84 LH							1	
	5153049-57	ANGLE, Inboard flap sta 84 RH							1	
-25	AN507-1032R6	SCREW (formerly 1087510-10-6)							2	
-26	AN5-13A	BOLT							3	
	AN960D516	WASHER							3	
	AN365-524	NUT							3	
-27	4129569	HINGE ASSY, Rotating rod stationary sta 33 LH							1	
	4129569-1	HINGE ASSY, Rotating rod stationary sta 33 RH							1	
-28	AN4-7A	BOLT							3	
	AN960D416	WASHER							3	
	AN365-428	NUT							3	
-29	5153049-52	ANGLE, Inboard flap sta 33 LH							1	
	5153049-53	ANGLE, Inboard flap sta 33 RH							1	
-30	AN507-1032R6	SCREW (formerly 1087510-10-6)							3	
-31	AN5-13A	BOLT							3	
	AN960D516	WASHER							3	
	AN365-524	NUT							3	
	5157405	DEFLECTOR ASSY, Flap inboard (interchangeable with 5208870)							1	
	5208870	DEFLECTOR ASSY, Flap inboard (interchangeable with 5157405)							1	
-32	5157405-14	DEFLECTOR ASSY, Flap inboard (interchangeable with 5208870-14)							1	
	5208870-14	DEFLECTOR ASSY, Flap inboard (interchangeable with 5157405-14)							1	
-33	5128678	SUPPORT ASSY, Inboard flap deflector LH (interchangeable with 5208786)							1	
	5208786	SUPPORT ASSY, Inboard flap deflector LH (interchangeable with 5128678)							1	
-34	5128678-1	SUPPORT ASSY, Inboard flap deflector RH (interchangeable with 5208786-1)							1	
	5208786-1	SUPPORT ASSY, Inboard flap deflector RH (interchangeable with 5128678-1)							1	
-35	4127576	HINGE ASSY, Inboard flap moving LH (LH and RH)							1	
	4127576-1	HINGE ASSY, Inboard flap moving RH (LH and RH)							1	

Section II

Group Assembly Parts List

T.O. 1B-26B-4

FIGURE & INDEX NO.	PART NO.	DESCRIPTION							UNITS PER ASSY	USABLE ON CODE
		1	2	3	4	5	6	7		
9-36	NAS144DH72	BOLT							1	
	NAS143-4C	WASHER (1075888-4A)							1	
	1026614-4-024	SPACER; OD bearing							1	
	124682-4S10-050	WASHER							2	
	AN509-416R23	SCREW (formerly 1029421-416-24)							1	
	AN960-416L	WASHER							1	
	AN365-428	NUT							1	
	4127583-6	LINK ASSY, Inboard flap fwd LH (LH and RH)							1	
	4127583-7	LINK ASSY, Inboard flap fwd RH (LH and RH)							1	
	AN27-23	BOLT							1	
	AN960D716	WASHER							1	
	AN320-7	NUT							1	
	2126684-6	ROD ASSY, Flap rotating							1	
	2126685-3	TUBE ASSY, Flap rotating rod							1	
	2126686-6	BEARING ASSY, Flap rotating rod LH							1	
	2126686-7	BEARING ASSY, Flap rotating rod RH							1	
	AN316-6L	NUT							1	
	AN316-6R	NUT							1	
	AN24-18	BOLT							1	
	AN960-416L	WASHER							1	
	AN320-4	NUT							1	
	AN24-36	BOLT							1	
	1026614-4-002	SPACER; OD bearing							1	
	1026614-4-101	SPACER; OD bearing							1	
	AN960-416L	WASHER							1	
	AN320-4	NUT							1	
	1127638-4	LINK ASSY, Inboard flap door aft							1	
	1127639	LINK ASSY, Inboard flap door upper							1	
	1127677-8	ROD ASSY, Flap door push sta 81							1	
	1127677-2	ROD ASSY, Flap door push sta 84							1	
	1127676-8	ROD, Flap door push sta 81							1	
	1127676-2	ROD, Flap door push sta 84							1	
	RE3F14	END, Rod (FAF)							1	
	RE3F4	END, Rod (FAF)							1	
	AN316-4L	NUT							1	
	AN316-4R	NUT							1	
	AN23-20	BOLT							1	
	AN960-10L	WASHER							1	
	AN320-3	NUT							1	
	AN23-17	BOLT							1	
	AN960-10L	WASHER							1	
	AN320-3	NUT							1	
	AN23-34	BOLT							1	
	1035349	WASHER; Control rod end							3	
	AN960-10L	WASHER							1	
	AN320-3	NUT							1	
	AN23-13	BOLT							1	
	AN960-10L	WASHER							1	
	AN320-3	NUT							1	
	AN26-49	BOLT (Used on 5153048)							1	
	AN26-50	BOLT (Used on 5153048-1)							1	
	AN960-616L	WASHER (Used on 5153048)							1	
	AN960D716	WASHER (Used on 5153048-1)							1	
	AN320-6	NUT (Used on 5153048)							1	
	AN320-7	NUT (Used on 5153048-1)							1	
	4127563	LINK ASSY, Inboard flap sta 33 and 84 aft							1	
	AN27-25	BOLT							1	
	AN960D716	WASHER							1	
	AN320-7	NUT							1	
	2153715	BOLT, Inboard flap mechanism internal wrenching							1	
	NAS143-5C	WASHER							1	
	AN960-516L	WASHER							1	
	AN320-5	NUT							1	
	AN24-20	BOLT							1	
	AN960-416L	WASHER							1	
	AN320-4	NUT							1	
	2279518-504	STOP							1	
	AN960-416L	WASHER							1	
	AN335-4	NUT							1	
	4191593	COVER ASSY, Flap mechanism sta 81 LH							1	
	4191593-1	COVER ASSY, Flap mechanism sta 81 RH							1	
	4191572	COVER ASSY, Flap mechanism sta 34 LH							1	
	4191572-1	COVER ASSY, Flap mechanism sta 34 RH							1	

WING

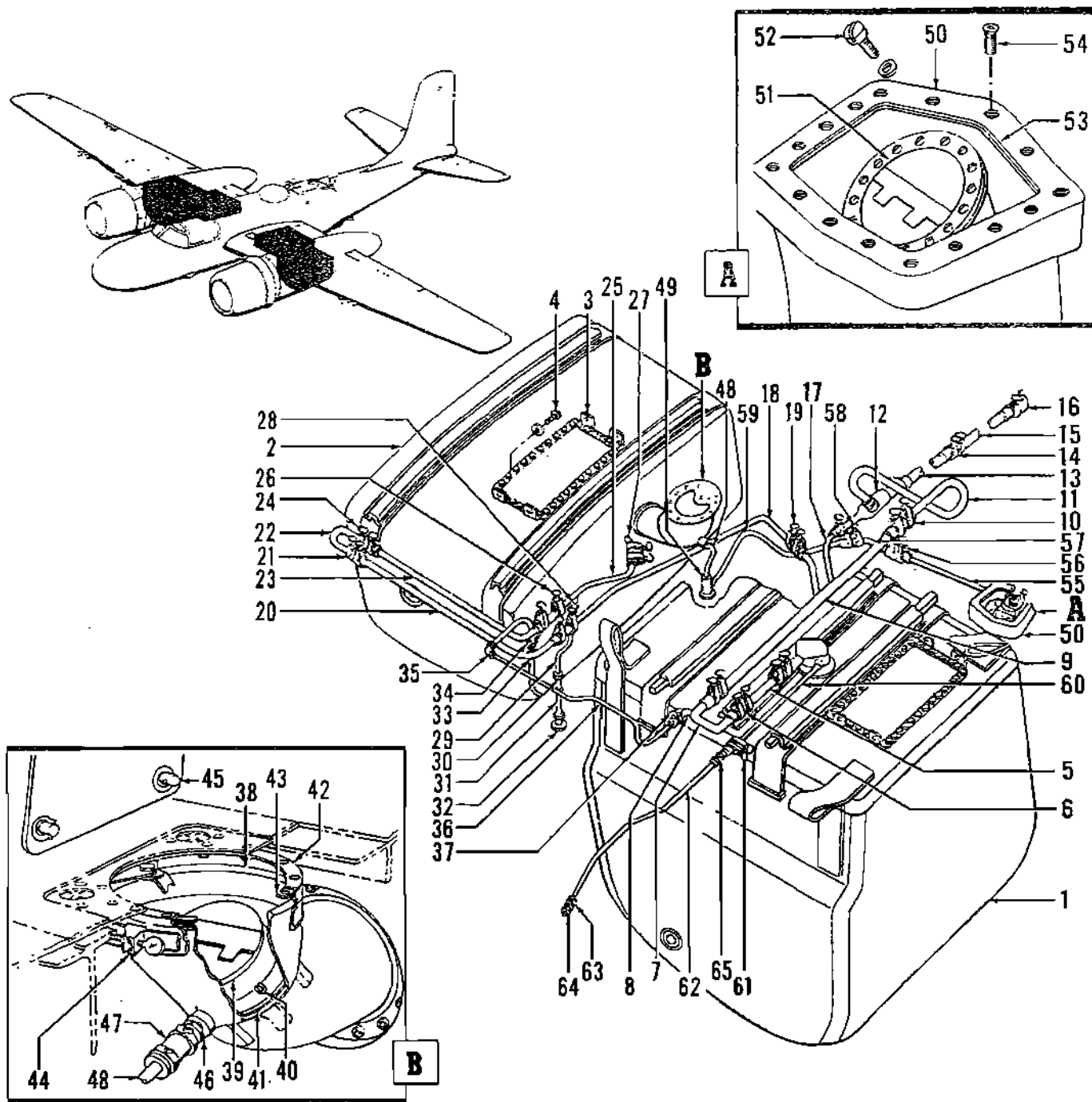


Figure 10. Wing LH and RH Fuel System Installation

Section II
Group Assembly Parts List

T.O. 1B-26B-4

FIGURE & INDEX NO.	PART NO.	DESCRIPTION							UNITS PER ASSY	USABLE ON CODE
		1	2	3	4	5	6	7		
10-	5153060	FUEL SYSTEM INSTL, Wing LH (see figures 2 and 11)							Ref	
	5153060-1	FUEL SYSTEM INSTL, Wing RH (see figures 2 and 11)							Ref	
-1	5153062	CONTAINER INSTL, Nacelle fuel LH (see figure 36)							1	
	5153062-1	CONTAINER INSTL, Nacelle fuel RH (see figure 36)							1	
-2	5122064	CONTAINER INSTL, Wing fuel LH (see figure 36)							1	
	5122064-1	CONTAINER INSTL, Wing fuel RH (see figure 36)							1	
-3	1190113	CLIP ASSY, Fuel container support							8	
-4	AN520-10-8	SCREW							8	
	AN960-10L	WASHER							8	
-5	5128410-78	LINE, Nacelle tank vent							1	
-6	AN884-16-15	HOSE							2	
	AN737TW48-56	CLAMP							4	
-7	2156869	FITTING, Nacelle fuel vent anti-syphon							1	
-8	AN842-4D	ELBOW							1	
-9	5128410-42	LINE ASSY, Nacelle tank vent							1	
-10	AN884-16-15	HOSE							2	
	AN737TW48-56	CLAMP							4	
-11	5128410-44	LINE, Nacelle tank vent LH							1	
	5128410-45	LINE, Nacelle tank vent RH							1	
	AN737TW48-56	CLAMP							1	
-12	2205738	FITTING ASSY, Fuel tank vent							1	
-13	5128410-46	LINE ASSY, Vent and filler well drain							1	
-14	AN884-20-15	HOSE							1	
	AN737TW58-66	CLAMP							3	
-15	5128410-104	LINE, Vent and filler well drain							1	
-16	AN884-20-15	HOSE							1	
	AN737TW58-66	CLAMP							2	
-17	5128410-128	LINE, Wing tank vent LH							1	
	5128410-129	LINE, Wing tank vent RH							1	
	5128410-223	LINE, Wing tank vent LH							1	
	5128410-224	LINE, Wing tank vent RH							1	
	AN737TW48-56	CLAMP							1	
-18	5128410-98	LINE, Wing tank vent LH							1	
	5128410-99	LINE, Wing tank vent RH							1	
-19	AN884-12-15	HOSE							2	
	AN737TW48-56	CLAMP							4	
-20	4278823-500	WELD ASSY, Wing fuel vent line							1	
	4278823-504	WELD ASSY, Wing fuel vent line							1	
-21	AN884-12-15	HOSE							1	
	AN737TW48-56	CLAMP							2	
-22	2156893	FITTING, Wing fuel vent anti-syphon							1	
	AN913-1D	PLUG							1	
-23	4278823-502	WELD ASSY, Wing fuel vent line							1	
	4278823-506	WELD ASSY, Wing fuel vent line							1	
-24	AN884-12-15	HOSE							1	
	AN737TW48-56	CLAMP							2	
-25	2203883	LINE ASSY, Fuel vent LH							1	
	2203883-1	LINE ASSY, Fuel vent RH							1	
-26	AN884-12-15	HOSE							2	
	AN737TW48-56	CLAMP							4	
-27	AN844-12D	ELBOW							1	
-28	AN816-4D	NIPPLE							1	
-29	5128410-90	LINE ASSY, Wing tank syphon vent							1	
-30	AN824-4D	TEE							1	
-31	5128410-92	LINE ASSY, Wing tank syphon vent							1	
-32	1128744	FLANGE, Fluid connecting coupling							1	
	1128791	GASKET, Fluid connecting coupling flange							1	
-33	5128410-88	LINE ASSY, Nacelle tank syphon vent							1	
-34	AN884-4-13	HOSE							1	
	AN737RM32	CLAMP							2	
-35	AN821-4	ELBOW							1	
-36	5128410-86	LINE ASSY, Nacelle tank syphon vent							1	
-37	AN884-4-15	HOSE							1	
	AN737RM22	CLAMP							2	
-38	5208533	WELL, Wing fuel container filler LH							1	
	5208533-1	WELL, Wing fuel container filler RH							1	
-39	40B1718	CAP AND ADAPTER ASSY, Removable type (ATTACHING PARTS)							1	
-40	ANS00A10-12	SCREW							8	
	AN960-10	WASHER							8	
-41	2208702	GASKET, Wing fuel container filler well							2	
-42	3208532	COLLAR, Wing fuel container filler well							1	
-43	4192863	RETAINER, Wing fuel filler well							1	
-44	MA8	CLAMP (ACT)							1	
-45	4276300	DOOR ASSY, Wing fuel filler neck access							1	
-46	AN840-6	ADAPTER							1	
-47	AN878-6-12	HOSE							1	
	AN737RM26	CLAMP							2	
-48	5128410-100	LINE ASSY, Wing tank filler drain LH							1	
	5128410-101	LINE ASSY, Wing tank filler drain RH							1	
-49	AN826-6D	TEE							1	
-50	5191838	WELL ASSY, Nacelle fuel tank filler							1	
-51	40B1718	CAP AND ADAPTER ASSY, Fuel tank filler removable type (ATTACHING PARTS)							1	
-52	ANS00A10-12	SCREW							8	

A
A
E,C
E,C

FIGURE & INDEX NO.	PART NO.	1	2	3	4	5	6	7	DESCRIPTION	UNITS PER ASSY	USABLE ON CODE
10-	AN960D10								WASHER	8	
-53	2192006								RETAINER, Nacelle fuel filler well	1	
-54	1314189Z10-10								SCREW, Sheet metal 100° recessed bulkhead	16	
	AN737RM26								CLAMP	1	
-55	S128410-130								LINE, Nacelle tank filler drain LH	1	
	S128410-131								LINE, Nacelle tank filler drain RH	1	
-56	AN884-6-15								HOSE	1	
	AN737RM26								CLAMP	2	
-57	S128410-132								LINE, Nacelle tank filler drain LH	1	
	S128410-133								LINE, Nacelle tank filler drain RH	1	
-58	AN884-6-15								HOSE	1	
	AN737RM26								CLAMP	2	
-59	S128410-184								LINE ASSY, Nacelle filler drain LH	1	
	S128410-185								LINE ASSY, Nacelle filler drain RH	1	
	AN737RM22								CLAMP	1	
-60	S128410-28								LINE, Carburetor vent	1	
-61	AN884-4-15								HOSE	1	
	AN737RM22								CLAMP	2	
-62	S128410-60								LINE ASSY, Carburetor vent LH	1	
	S128410-61								LINE ASSY, Carburetor vent RH	1	
-63	3115-1GT4								CONNECTOR, Bulkhead (PA)	1	
-64	AN924-4								NUT	1	
-65	AN840-4D								ADAPTER	1	
		A USAF 41-39100 thru 41-39199		B USAF 41-39200 thru 41-39499							
		43-22252 thru 43-22351		43-22352 thru 43-22461							
				43-22467 thru 43-22581							
		C USAF 41-39550 thru 41-39599									
		43-22462 thru 43-22466									
		43-22582 thru 43-22751									
		44-34098 thru 44-35996									

Section II
Group Assembly Parts List

T.O. 1B-268-4

WING

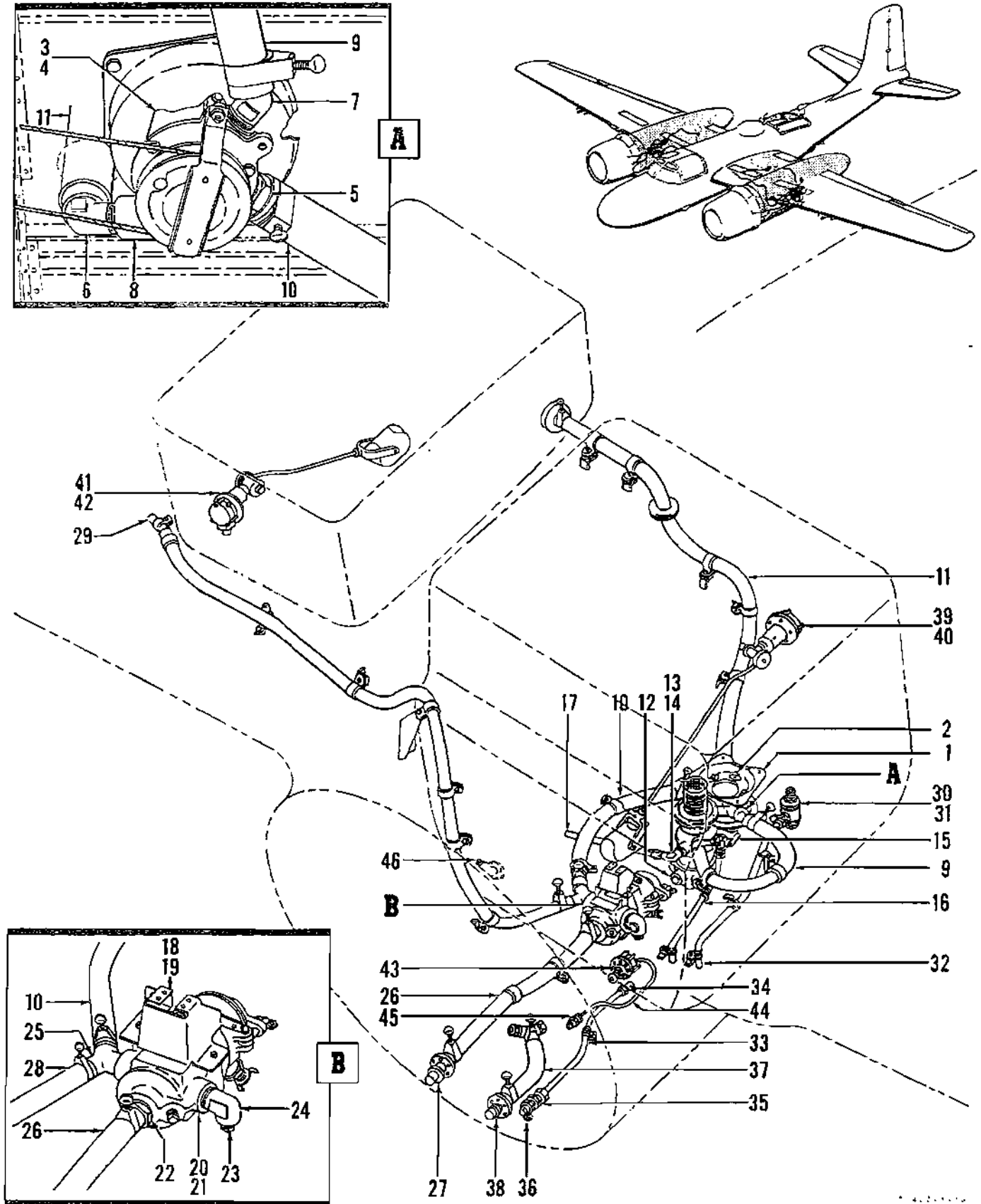


Figure 11. Wing LH and RH Fuel System Installation

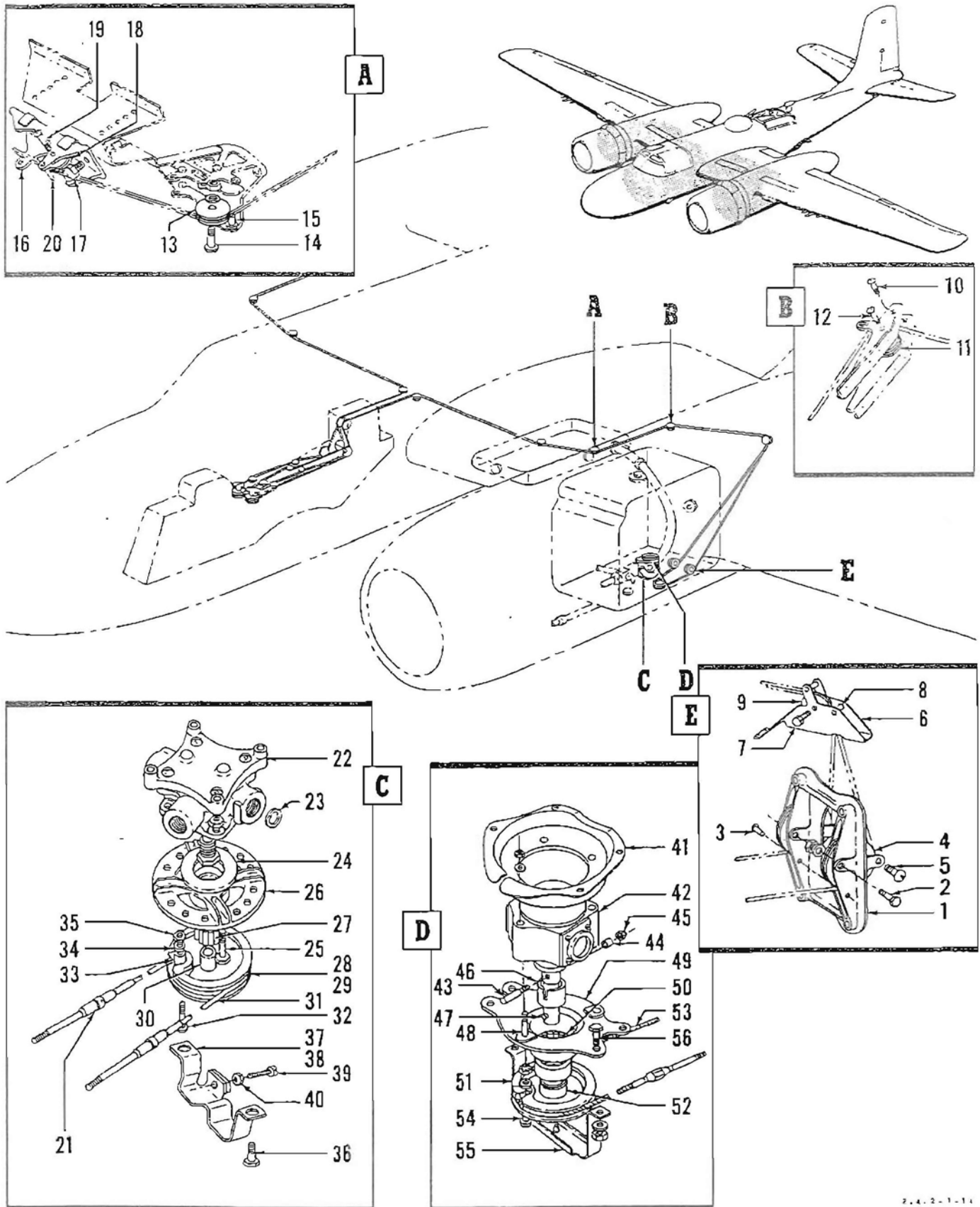
FIGURE & INDEX NO.	PART NO.	1 2 3 4 5 6 7	DESCRIPTION	UNITS PER ASSY	USABLE ON CODE
11-	5153060		FUEL SYSTEM INSTL, Wing LH (see figures 2 and 10)	Ref	
-1	5153060-1		FUEL SYSTEM INSTL, Wing RH (see figures 2 and 10)	Ref	
	4128193		BRACKET ASSY, Nacelle fuel selector valve	1	A-C, F,G
			(ATTACHING PARTS)		
-2	AN520-10-8		SCREW	4	A-C, F,G
-3	4123749		VALVE ASSY, Main fuel selector LH (see figure 12)	1	A-C, F,G
	4123749-1		VALVE ASSY, Main fuel selector RH (see figure 12)	1	A-C, F,G
	3206017		VALVE ASSY, Nacelle and wing tank fuel selector LH (see figure 12)	1	D,E H,J
	3206017-1		VALVE ASSY, Nacelle and wing tank fuel selector RH (see figure 12)	1	D,E, H,J
			(ATTACHING PARTS)		
-4	AN3-12A		BOLT	4	A-C, F,G
-5	AN840-16D		ADAPTER	1	
-6	AN842-16D		ELBOW	1	
-7	AN844-16D		ELBOW	1	
-8	AN915-6D		ELBOW	1	
-9	4127510-18		HOSE, Main feed line LH	1	
	4127510-20		HOSE, Main feed line RH	1	
	AN737TW48-56		CLAMP	2	
-10	4127510-10		HOSE, Main feed line	1	
	4127510-11		HOSE, Main feed line RH	1	
	AN737TW48-56		CLAMP	2	
-11	4127510-8		HOSE, Main feed line	1	
	AN737TW48-56		CLAMP	2	
-12	TFD12100-2		PUMP ASSY, Booster (THA)	1	A,B,F C,E, G,H,J
	TFD12100-1		PUMP ASSY, Booster (THA)	1	
-13	AN822-4D		ELBOW	1	
-14	AN816-4D		NIPPLE	1	
-15	717CT4D		VALVE ASSY (PA)	1	A-D,F,G, H E,J
-16	K1700B1		COCK ASSY, Drain (KOE)	1	
	5128410-114		LINE	1	
-17	5128410-118		LINE ASSY, Drain LH	1	
	5128410-116		LINE ASSY, Drain RH	1	
-18	2126553		SUPPORT, Fuel strainer (ATTACHING PARTS)	1	
-19	AN520-10-8		SCREW	6	
	AN365-1032		NUT	6	
-20	13960-3		STRAINER ASSY, Fuel (AS) (ATTACHING PARTS)	1	
-21	AN4-42A		BOLT	2	
	AN365-428		NUT	2	
-22	AN840-16D		ADAPTER	1	
-23	AN913-6D		PLUG	1	
-24	AN914-6D		ELBOW	1	
-25	1125833		FITTING, 90° "F" hose	1	
-26	4127510-6		HOSE, Main feed line	1	
	AN737TW48-56		CLAMP	2	
-27	AN849-16D		CONNECTOR	1	
	AN960D2116		WASHER	1	
	AN924-16D		NUT	1	
-28	4127510-12		HOSE, Main feed line LH	1	
	4127510-28		HOSE, Main feed line RH	1	
	4127510-13		HOSE, Main feed line RH	1	
	AN737TW48-56		CLAMP (Two used on 5153060)	4	
-29	5128410-140		LINE, Main fuel connecting LH	1	
	5128410-139		LINE, Main fuel connecting RH	1	
	5128410-226		LINE, Main fuel connecting (used on 5153060-1)	1	B-E,G, H,J
-30	2205803		VALVE ASSY, Nacelle fuel tank drain (altered from PA 717CT8D) (ATTACHING PARTS)	1	
-31	AN530-8-8		SCREW	2	
-32	5128410-156		LINE ASSY, Drain LH	1	
	5128410-158		LINE ASSY, Drain RH	1	
-33	5128410-75		LINE ASSY, Oil dilution	1	
-34	AN822-4		ELBOW	1	A-C, F,G D,E,H, J
	AN823-4		ELBOW	1	

Section II
Group Assembly Parts List

T.O. 1B-26B-4

FIGURE & INDEX NO.	PART NO.	DESCRIPTION							UNITS PER ASSY	USABLE ON CODE	
		1	2	3	4	5	6	7			
11-35	3115-1GT4								1		
	AN960-716								1		
	AN924-4								1		
-36	AN823-4								1		
-37	AN884-8-37								1		
	AN737RM30								2		
-38	AN849-8D								1		
	AN924-8D								1		
	AN960DI216								1		
-39	8TJ17AAB								1		
-40	AN500-10-12								5		
	AN960-10								5		
-41	8TJ17AAA								1		
-42	AN500A10-12								3		
	AN960-10								5		
-43	AN5765-1								1		
-44	5128410-228								1	J	
-45	AN832-4D								1	J	
	AN924-4D								1	J	
-46	AN913-1D								1		
		A	USAF	41-39100	thru	41-39258	G	USAF	43-22302	thru	43-22461
									43-22467	thru	43-22581
		B	USAF	41-39259	thru	41-39288	H	USAF	43-22462	thru	43-22466
									43-22582	thru	43-22751
		C	USAF	41-39289	thru	41-39299	J	USAF	44-34098	thru	44-35996
		D	USAF	41-39300	thru	41-39424					
		E	USAF	41-39425	thru	41-39599					
		F	USAF	43-22252	thru	43-22301					

WING



2.4.2-1-14

Figure 12. Wing Fuel System Control Installation and Main, Nacelle and Wing Fuel Selector Valve Assembly

Section II
Group Assembly Parts List

T. O. 1B-26B-4

FIGURE & INDEX NO.	PART NO.	DESCRIPTION	UNITS PER ASSY	USABLE ON CODE
12-		WING FUEL SYSTEM CONTROL INSTL AND MAIN, NACELLE AND WING FUEL SELECTOR VALVE ASSY		
	5153097	CONTROL INSTAL, Wing fuel system LH (see figure 2)	Ref	
	5153097-1	CONTROL INSTL, Wing fuel system RH (see figure 2)	Ref	
	5125717	CONTROL INSTL, Nacelle fuel LH	1	C
	5125717-1	CONTROL INSTL, Nacelle fuel RH	1	C
	5207033	CONTROL INSTL, Nacelle fuel lower LH	1	D
	5207033-1	CONTROL INSTL, Nacelle fuel lower RH	1	D
-1	4206957	BRACKET, Nacelle fuel control lower LH	1	D
	4206957-1	BRACKET, Nacelle fuel control lower RH	1	D
		(ATTACHING PARTS)		
-2	AN3-10A	BOLT	4	D
	AN960-10	WASHER	4	D
	AN365-1032	NUT	4	D
-3	NAS427K14	PIN (formerly 143358-026)	4	D
-4	AN210-2A	PULLEY	2	
-5	AN23-20	BOLT	2	D
	AN23-14	BOLT	2	C
	AN960D10	WASHER	2	
	AN320-3	NUT	2	
	5157557	CONTROL INSTL, Wing fuel LH	1	E
	5157557-1	CONTROL INSTL, Wing fuel RH	1	E
	5206615	CONTROL INSTL, Wing fuel LH	1	F
	5206615-1	CONTROL INSTL, Wing fuel RH	1	F
-6	4155969	BRACKET ASSY, Wing fuel control LH	1	F
	4155969-1	BRACKET ASSY, Wing fuel control RH	1	F
	4206202	BRACKET ASSY, Wing fuel control LH	1	F
	4206202-1	BRACKET ASSY, Wing fuel control RH	1	F
		(ATTACHING PARTS)		
-7	AN3-5A	BOLT	3	E
	AN365-1032	NUT	3	E
	AN3-12A	BOLT	2	F
	AN3-13A	BOLT	2	F
-8	143358-104	PIN, Pulley guard	4	F
-9	AN210-2A	PULLEY	2	
-10	AN23-17	BOLT	1	E
	AN3-14	BOLT	1	E
	AN960D10	WASHER	1	E
	AN960-10	WASHER	1	E
	AN320-3	NUT	1	E
	AN310-3	NUT	1	E
	4127413	CONTROL INSTL, Wing aft fuel LH	1	
	4127413-1	CONTROL INSTL, Wing aft fuel RH	1	
-11	AN210-2A	PULLEY	2	
-12	AN23-17	BOLT	1	
	AN960D10	WASHER	1	
	AN320-3	NUT	1	
	4127455	CONTROL INSTL, Wing forward fuel LH	1	
	4127455-1	CONTROL INSTL, Wing forward fuel RH	1	
-13	AN210-2A	PULLEY	2	
-14	AN23-25	BOLT	1	
	124682-3S12-034	WASHER	1	
	AN320-3	NUT	1	
-15	143358-023	PIN, Pulley guard	2	
	5159533	CONTROL INSTL, Wing fuel system LH	1	
	5159533-1	CONTROL INSTL, Wing fuel system RH	1	
-16	5128626	BRACKET, Wing fuel system pulley LH	1	
	5128626-1	BRACKET, Wing fuel system pulley RH	1	
		(ATTACHING PARTS)		
-17	AN3-6A	BOLT	2	
	AN960-10	WASHER	2	
	AN365-1032	NUT	2	
-18	AN210-1A	PULLEY	2	
-19	AN23-36	BOLT	1	
	AN960D10	WASHER	2	
	NAS43DD3-46	SPACER (formerly 117425-3D023)	1	
	AN320-3	NUT	1	
-20	NAS427K15	PIN (formerly 143358-030)	1	
-21	AN155-16L	BARREL	2	
	4123749	VALVE ASSY, Main fuel selector LH	Ref	A
		(see figure 1)		
	4123749-1	VALVE ASSY, Main fuel selector RH	Ref	A
		(see figure 1)		
	2205769-2	VALVE ASSY, Fuel tank selector LH	1	A
	2205769-4	VALVE ASSY, Fuel tank selector RH	1	A
-22	6-1841-19-1	VALVE ASSY, Three way selector LH (PA)	1	A
	6-1841-19-2	VALVE ASSY, Three way selector RH (PA)	1	A
-23	1205726	RENG, Selector valve shaft packing	1	A
-24	2207544	SPACER, Fuel selector valve support	1	A
	2126594	SUPPORT ASSY, Fuel valve control pulley	1	A

FIGURE & INDEX NO.	PART NO.	1	2	3	4	5	6	7	DESCRIPTION	UNITS PER ASSY	USABLE ON CODE
12-25	AN3-11A AN365-1032								(ATTACHING PARTS) BOLT NUT	4 4	A A
-26	2125594-2								SUPPORT	1	A
-27	B1612 4127595-2 4127595-3 2057110-1								BEARING, Needle (TOR) DRUM ASSY, Fuel selector valve LH DRUM ASSY, Fuel selector valve RH PULLEY ASSY, Fuel valve needle bearing RH (used on 4127595-2)	1 1 1 1	A A A A
	2057110								PULLEY ASSY, Fuel valve needle bearing LH (used on 4127595-3)	1	A
-28	2057110-2								PULLEY	1	A
-29	2057110-3								PULLEY	1	A
-30	177213-867- 1000-687								BUSHING, Needle bearing hardened	1	A
-31	2074407-7-7 -32200 2074407-7-7 -32010								CABLE ASSY, Swaged type 3/32 in. dia (used on 4127595-2) CABLE ASSY, Swaged type 3/32 in. dia (used on 4127595-3)	1 1	A A
-32	AN23-19A								BOLT	1	A
-33	NAS75-3-018								BUSHING	1	A
-34	AN960D10								WASHER	1	A
-35	AN365-1032 2207201 2207201-1								NUT GUARD AND STOP ASSY, Selector valve pulley LH GUARD AND STOP ASSY, Selector valve pulley RH (ATTACHING PARTS)	1 1 2 2	A A A A
-36	AN3-4A AN365-1032								BOLT NUT	2 2	A A
-37	2207201-2								GUARD	1	A
-38	2207201-3								GUARD	1	A
-39	AN502-10-24								SCREW	1	A
-40	AN315-3R 3206017								NUT VALVE ASSY, Nacelle and wing tank fuel selector LH (see figure 11)	1 Ref	A B
	3206017-1								VALVE ASSY, Nacelle and wing tank fuel selector RH (see figure 11)	Ref	B
-41	4206015 2206014								SUPPORT ASSY, Nacelle and wing tank fuel selector valve VALVE ASSY, Nacelle and wing tank fuel selector	1 1	B B
-42	4130-3-4								VALVE ASSY, Balanced fuel selector (PA)	1	B
-43	1206095								PIN, Fuel selector valve stem taper	1	B
-44	1059608C625-1250-125								BUSHING, Steel	1	B
-45	AN365-632 1206019 1206013-1								NUT SHAFT ASSY, Fuel selector valve LH SHAFT ASSY, Fuel selector valve RH	1 1 1	B B B
-46	1206013-2								SHAFT	1	B
-47	1206067 4206016								PIN, Fuel selector valve shaft SUPPORT ASSY, Fuel selector valve pulley (ATTACHING PARTS)	1 1	B B
-48	AN3-25A AN960D10 AN365-1032								BOLT WASHER NUT	3 3 3	B B B
-49	4206016-2								SUPPORT	1	B
-50	B1612 4208227-2 4208227-3 2057110-1								BEARING, Needle (TOR) DRUM ASSY, Nacelle and wing fuel selector valve LH DRUM ASSY, Nacelle and wing fuel selector valve RH PULLEY ASSY, Fuel valve needle bearing RH (used on 4127595-2)	1 1 1 1	B B B B
	2057110								PULLEY ASSY, Fuel valve needle bearing LH (used on 4127595-3)	1	B
-51	2057110-2								PULLEY (Used on 4127595-2)	1	B
-52	2057110-3 177213-867 -1000-687								PULLEY (Used on 4127595-3) BUSHING, Needle bearing hardened	1 1	B B
-53	2074407-7-7 -32200 2074407-7-7 -32010								CABLE ASSY, Swaged type 3/32 in. dia (used on 4127595-2) CABLE ASSY, Swaged type 3/32 in. dia (used on 4127595-3)	1 1	B B
-54	AN23-11A AN960D10 AN365-1032								BOLT WASHER NUT	1 1 1	B B B
-55	1205998								GUARD, Fuel selector valve control pulley (ATTACHING PARTS)	1	B
-56	AN3-5A AN960D10 AN365-1032								BOLT WASHER NUT	2 2 2	B B B
		A USAF	41-39100 thru 41-39299						C USAF 41-39100 thru 41-39299 43-22552 thru 43-22461 41-22252 thru 43-22751	43-22552 thru 43-22751 44-34098 thru 44-35996	
			43-22467 thru 43-22581						D USAF 41-39300 thru 41-39599 44-34098 thru 44-35996		
		B USAF	41-39300 thru 41-39599						E USAF 41-39100 thru 41-39399 43-22462 thru 43-22466 43-22582 thru 43-22751		
			43-22462 thru 43-22466						F USAF 41-39400 thru 41-39599		
			43-22582 thru 43-22751								
			44-34098 thru 44-35996								

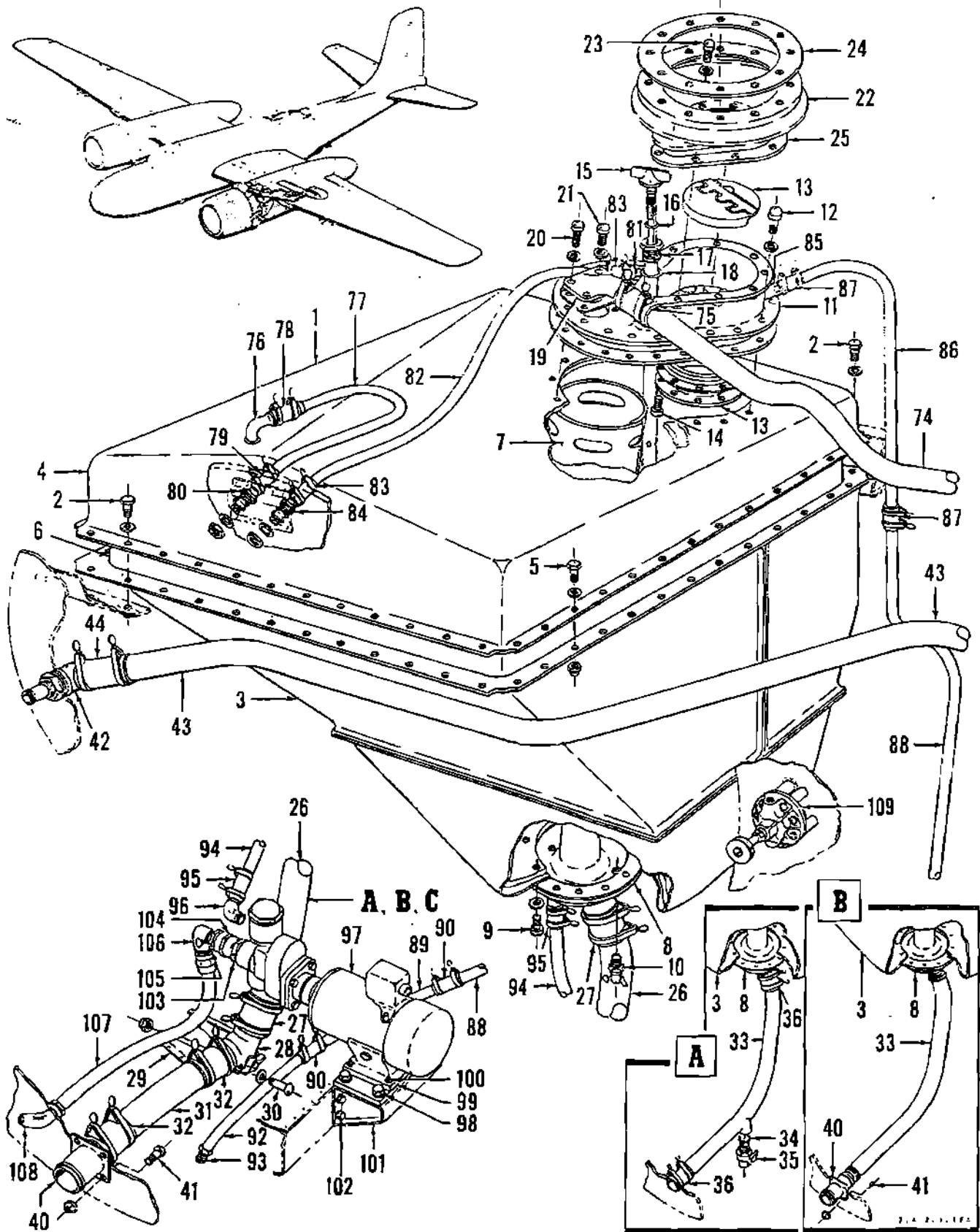


Figure 13. Wing LH and RH Oil System Installation (Sheet 1 of 2)

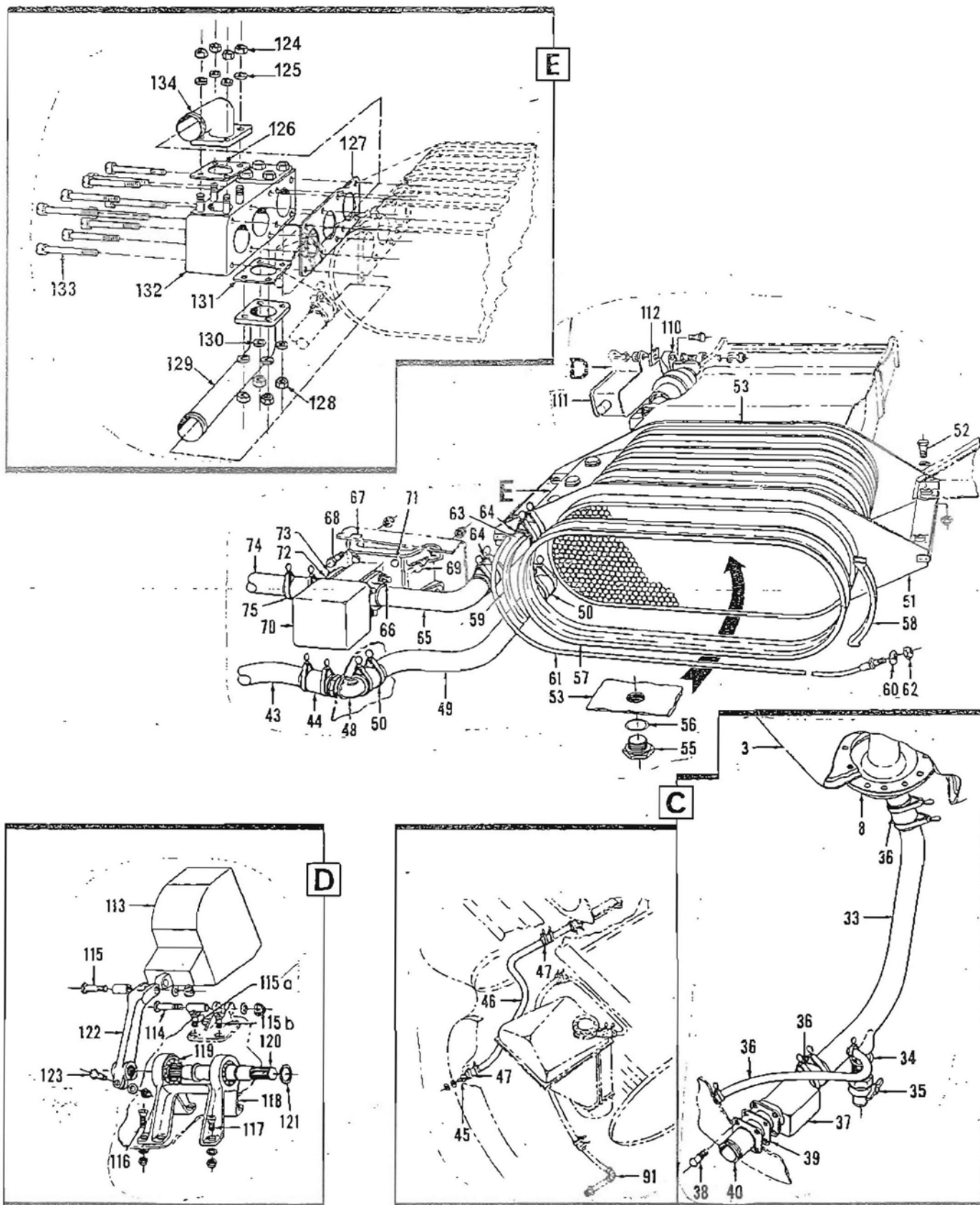


Figure 13. Wing LH and RH Oil System Installation (Sheet 2 of 2)

Section II
Group Assembly Parts List

T.O. 1B-26B-4

FIGURE & INDEX NO.	PART NO.	1 2 3 4 5 6 7	DESCRIPTION	UNITS PER ASSY	USABLE ON CODE
13-	5153067		OIL SYSTEM INSTL, Wing LH (see figure 2)	Ref	
-1	5153067.1		OIL SYSTEM INSTL, Wing RH (see figure 2)	Ref	
	5191171		TANK ASSY, Nacelle oil (ATTACHING PARTS)	1	
-2	AN3-6A		BOLT	24	
	AN960D10		WASHER	12	
	AN960D10L		WASHER	12	
-3	5191170-2		SHELL ASSY, Nacelle oil tank	1	
-4	5191170-4		SHELL ASSY, Nacelle oil tank upper (ATTACHING PARTS)	1	
-5	AN3-5A		BOLT	26	
	AN960D10		WASHER	26	
	AN365-1032		NUT	26	
-6	5194692		CONTAINER ASSY, Nacelle oil	1	
-7	E125649		HOPPER ASSY, Oil tank	1	
-8	E123922		FITTING, Oil tank outlet	1	
	4123695		GASKET, Oil tank outlet (ATTACHING PARTS)	1	
-9	AN500A416-12		SCREW	12	
	AN960-416L		WASHER	12	
	2275686		VALVE ASSY, Oil tank sump drain	1	
-10	K1700B2		VALVE ASSY, Oil tank sump drain (KOE)	1	
-11	5125648		FITTING, Oil tank inlet	1	
	4123738		GASKET, Oil tank inlet (ATTACHING PARTS)	1	
-12	AN500A416-10		SCREW	19	
	AN960-416L		WASHER	19	
-13	2206877		CAP ASSY, Oil tank filler	1	
	2126587		GASKET, Oil tank filler neck (ATTACHING PARTS)	1	
-14	AN500A10-6		SCREW	8	
-15	2151703		STICK ASSY, Oil gage measuring	1	
-16	1080930-08B		WASHER	1	
	156-003		TUBE ASSY, Oil gage	1	
-17	3125455		GASKET	1	
-18	AN900-14		FITTING, Oil tank hopper inlet LH	1	
-19	4123739		FITTING, Oil tank hopper inlet RH	1	
	4192860		GASKET, Oil tank hopper inlet (ATTACHING PARTS)	1	
	1125908		SCREW	2	
-20	AN500-416-14		WASHER	2	
	AN960-416L		SCREW	2	
-21	AN500A416-10		WASHER	2	
	AN960-416L		WASHER	2	
-22	5192534		WELL ASSY, Oil tank filler (ATTACHING PARTS)	1	
-23	AN500A10-10		SCREW	10	
	AN960D10		WASHER	10	
-24	4192848		RETAINER, Oil tank filler well upper	1	
-25	4192849		RETAINER, Oil tank filler well lower	1	
-26	5129988-72		LINE, Engine oil feed	1	A
-27	AN878-32-20		HOSE	2	A
	AN737TW74-82		CLAMP	4	A
-28	2126739		VALVE ASSY, "Y" oil drain (altered from KOE K-1440B-85)	1	A
-29	2126738		BRACKET, Oil "Y" drain support (ATTACHING PARTS)	1	A
-30	AN520-10-30		SCREW	2	A
	AN960D10		WASHER	2	A
	AN365-1032		NUT	2	A
-31	5129988-12		LINE, Engine oil feed	1	A
-32	AN878-32-20		HOSE	2	A
	AN737TW74-82		CLAMP	4	A
	4207673		PIPE ASSY, Oil tank drain	1	B,C
	4278649		PIPE ASSY, Oil tank drain	1	D
-33	4207673-4		PIPE ASSY, Oil tank drain	1	B,C
	4278649-4		PIPE ASSY, Oil tank drain	1	D
-34	AN900-21		GASKET	1	B-D
-35	2207676		VALVE ASSY, Oil line drain (altered from KOE K-1440B-85)	1	B-D
-36	AN878-32-20		HOSE (One used on 4278649)	2	B-D
	AN737TW74-82		CLAMP	4	B-D
	P215-32		HOSE, Flexible 7 by 10 in.	1	D
	AN737TW74-82		CLAMP	2	D
-37	WE450-2D		VALVE ASSY, Slide shutoff (WTR) (ATTACHING PARTS)	1	D
-38	AN75-6		BOLT	4	D
	AN310-4		NUT	4	D
-39	2277848		GASKET, Oil shutoff valve	1	D

FIGURE & INDEX NO.	PART NO.								DESCRIPTION	UNITS PER ASSY	USABLE ON CODE
		1	2	3	4	5	6	7			
13-40	2205648 AN4049-8								CONNECTOR, Oil intake line firewall.....	1	A-C
									CONNECTION.....	1	D
									(ATTACHING PARTS)		
-41	AN520-10-8								SCREW.....	4	A-C
	AN365-1032								NUT.....	4	A-C
	AN310-4								NUT.....	4	D

-42	AN848-24D								ELBOW (Used on 5153067).....	1	
	AN901-24A								GASKET.....	1	
	AN924-24D								NUT.....	1	
-43	5129988-106								LINE, Return LH.....	1	
-44	AN878-24-20								HOSE.....	2	
	F86-16								CLAMP (WIT).....	4	
-45	AN849-24D								CONNECTOR (Used on 5143067-1).....	1	
	AN901-24A								GASKET (Used on 5153067-1).....	1	
	AN924-24D								NUT (Nut on 5153067-1).....	1	
-46	5129988-88								LINE, Return RH.....	1	
-47	AN878-24-20								HOSE.....	2	
	F86-16								CLAMP (WIT).....	4	
-48	AN848-24D								ELBOW.....	1	
	AN901-24A								GASKET.....	1	
	AN924-24D								NUT.....	1	
-49	5129988-40								LINE, Return LH.....	1	
	5129988-120								LINE, Return RH.....	1	
-50	AN878-24-20								HOSE.....	2	
	F86-16								CLAMP (WIT).....	4	
-51	2R16013								REGULATOR ASSY, Oil temperature LH (AIR).....	1	
	2R16013-1								REGULATOR ASSY, Oil temperature RH (AIR).....	1	
									(ATTACHING PARTS)		
-52	AN5-16A								BOLT.....	4	
	AN960-516								WASHER.....	4	
	AN365-1032								NUT.....	4	

-53	2R16014								COOLER ASSY, Oil elliptical (AIR).....	1	
-54	6G11123								VALVE ASSY, Automatic flap control (AIR) (used on 2R16013).....	1	
	17197								VALVE ASSY, Thermostatic (AIR) (used on 2R16013-1).....	1	
-55	1143999								PLUG, 1-14 NF3.....	1	
-56	AN600-16								GASKET.....	1	
-57	4127538								SEAL, Oil cooler and duct.....	2	
-58	4127490								CLAMP ASSY, Oil cooler seal.....	4	
-59	2126854								CHANNEL, Oil cooler seal cable.....	4	
-60	1127655								TRUNNION, Oil cooler seal clamp.....	8	
-61	2126687								CABLE ASSY, Oil cooler seal.....	4	
-62	AN365-1032								NUT.....	4	
-63	5129988-84								LINE, Return.....	1	
-64	AN878-24-20								HOSE.....	2	
	AN737TW48-56								CLAMP.....	4	
-65	2206732								CONNECTION ASSY, Oil line thermostat.....	1	
	2275938								GASKET, Engine oil flange.....	1	
									(ATTACHING PARTS)		
-66	AN310-5								NUT.....	4	
	AN960-516								WASHER.....	4	

-67	3206656								BRACKET ASSY, Oil temperature regulator support.....	1	
									(ATTACHING PARTS)		
-68	AN3-11A								BOLT.....	2	
	AN365-1032								NUT.....	2	
-69	AN3-7A								BOLT.....	2	
	AN365-1032								NUT.....	2	

-70	12212-11								THERMOSTAT ASSY, Floating control.....	1	
									(ATTACHING PARTS)		
-71	AN3-7A								BOLT.....	4	

-72	AN4049-6								CONNECTION.....	1	
	2275938								GASKET, Engine oil flange.....	1	
									(ATTACHING PARTS)		
-73	AN310-5								NUT.....	4	
	AN960-516								WASHER.....	4	

-74	5129988-62								LINE, Return LH.....	1	
	5129988-60								LINE, Return RH.....	1	
-75	AN878-24-20								HOSE.....	2	
	AN737TW58-66								CLAMP.....	4	
-76	2209712								ELBOW, Oil container forward vent.....	1	
-77	1192330								ELBOW, Nacelle oil container forward vent.....	1	
-78	AN878-12-15								HOSE.....	1	
	AN737TW48-56								CLAMP.....	2	
-79	AN878-8-15								HOSE.....	1	
	AN737RM30								CLAMP.....	2	
-80	AN849-8D								CONNECTOR.....	1	
	AN960D1216								WASHER.....	1	
	AN924-8D								NUT.....	1	
-81	AN840-8D								ADAPTER (Used on 5153067).....	1	

Section II
Group Assembly Parts List

T.O. 1B-26B-4

FIGURE & INDEX NO.	PART NO.	DESCRIPTION							UNITS PER ASSY	USABLE ON CODE
		1	2	3	4	5	6	7		
13-	AN816-8D									
-82	5129988-68								1	
	5129988-100								1	
-83	AN878-6-15								1	
	AN737RM30								2	
-84	AN849-8D								4	
	AN960D1216								1	
	AN924-8D								1	
-85	AN840-6								1	
	AN816-6D								1	
-86	5129988-66								1	
	5129988-64								1	
-87	AN878-6-15								2	
	AN737RM28								4	
-88	5129988-118								1	
-89	5129988-74								1	
	5129988-76								1	
-90	AN878-6-15								2	
	AN737RM28								4	
-91	AN833-6D								1	
-92	5129988-90								1	
	5129988-92								1	
-93	AN840-16D								1	
-94	5129988-114								1	
-95	AN878-16-15								2	
	AN737TW44-46								4	
-96	AN844-16								1	
-97	LE-521-DC1								1	
-98	AN4-6A								4	
	AN960D416								4	
	AN365-1032								4	
-99	1203675								1	
-100	1203676								4	
-101	4206423								1	
-102	AN3-5A								4	
	AN960D10								4	
	AN365-1032								4	
-103	AN911-6								1	
-104	AN910-6								1	
-105	AN912-7								1	
-106	AN822-10								1	
-107	5129988-112								1	
-108	AN822-10								1	
	AN960-1416								1	
	AN924-10								1	
-109	AN5765-1								1	
-110	5193174								1	A,B
	5193174-1								1	A,B
	AN4-13A								4	A,B
	AN4H7								2	A,B
	AN960D416								6	A,B
	AN365-428								6	A,B
-111	10539								1	A,B
	10539-1								1	A,B
-112	2206701								3	A,B
	AN936B416								4	A,B
	AN365-428								3	A,B
	5207575								1	C
	5207575-1								1	C
-113	12001								1	C
-114	AN24-48								1	C
	1206217								1	C
	AN960-416								1	C
	AN320-4								1	C
-115	AN24-28								1	C
	1206217								1	C
	AN960-416								1	C
	AN320-4								1	C
	4206258								1	C
	4206258-1								1	C
-115a	1029421-10-14								1	C

FIGURE & INDEX NO.	PART NO.	1	2	3	4	5	6	7	DESCRIPTION	UNITS PER ASSY	USABLE ON CODE
13-	AN960-10L								WASHER	1	C
-115b	AN365-1032								NUT	1	C
	1029421-10-16								SCREW	3	C
	AN960-10								WASHER	3	C
	AN365-1032								NUT	3	C
	4206259								SHAFT ASSY, Oil cooler door actuating mechanism LH	1	C
	4206259-1								SHAFT ASSY, Oil cooler door actuating mechanism RH	1	C
-116	1029421-416-12								(ATTACHING PARTS)		
	AN960-416								SCREW, Flathead 100° recessed	4	C
	AN365-428								WASHER	4	C
-117	1029421-10-14								NUT	4	C
	AN960-10								SCREW, Flathead 100° recessed	2	C
	AN365-1032								WASHER	2	C
									NUT	2	C
-118	4206220								HOUSING ASSY, Oil cooler door bearing	1	C
-119	4206220-2								HOUSING	1	C
-120	AN201K15A								BEARING	2	C
-121	2278539								SHAFT, Oil cooler door actuating	2	C
-122	NAS51-100								RING	1	C
-123	4205219								ARM, Oil cooler door actuating	1	C
	AN3-13A								BOLT	1	C
	AN960-10								WASHER	1	C
	AN365-1032								NUT	1	C
-124	AN310-5								Nut	4	All
-125	AN960-516								Washer Flat	4	All
-126	2A5723								Gasket Oil Line Flange	2	All
-127	16844								Gasket Valve Mounting Flange	1	All
-128	AN310-5								Nut	4	All
-129	2D6115								Connector Long Oil Line	1	All
-130	AN960-516								Washer Flat	4	All
-131	2A5723								Gasket Oil Line Flange	2	All
-132	11425								Body	1	All
-133	2A5754-48								Screw Fillister Head	8	All
	2A5754-10								Screw Fillister Head	2	All
-134	2D6116								Connector Short Oil Line	1	All
		A USAF	41-39100	thru	41-39299				C USAF 44-34093	thru	44-35996
			43-22252	thru	43-22399				D USAF 44-34333	thru	44-34748
			43-22467	thru	43-22493						
		B USAF	41-39300	thru	41-39599						
			43-22400	thru	43-22466						
			43-22494	thru	43-22751						

Section II
Group Assembly Parts List

T.O. 1B-26B-4

WING

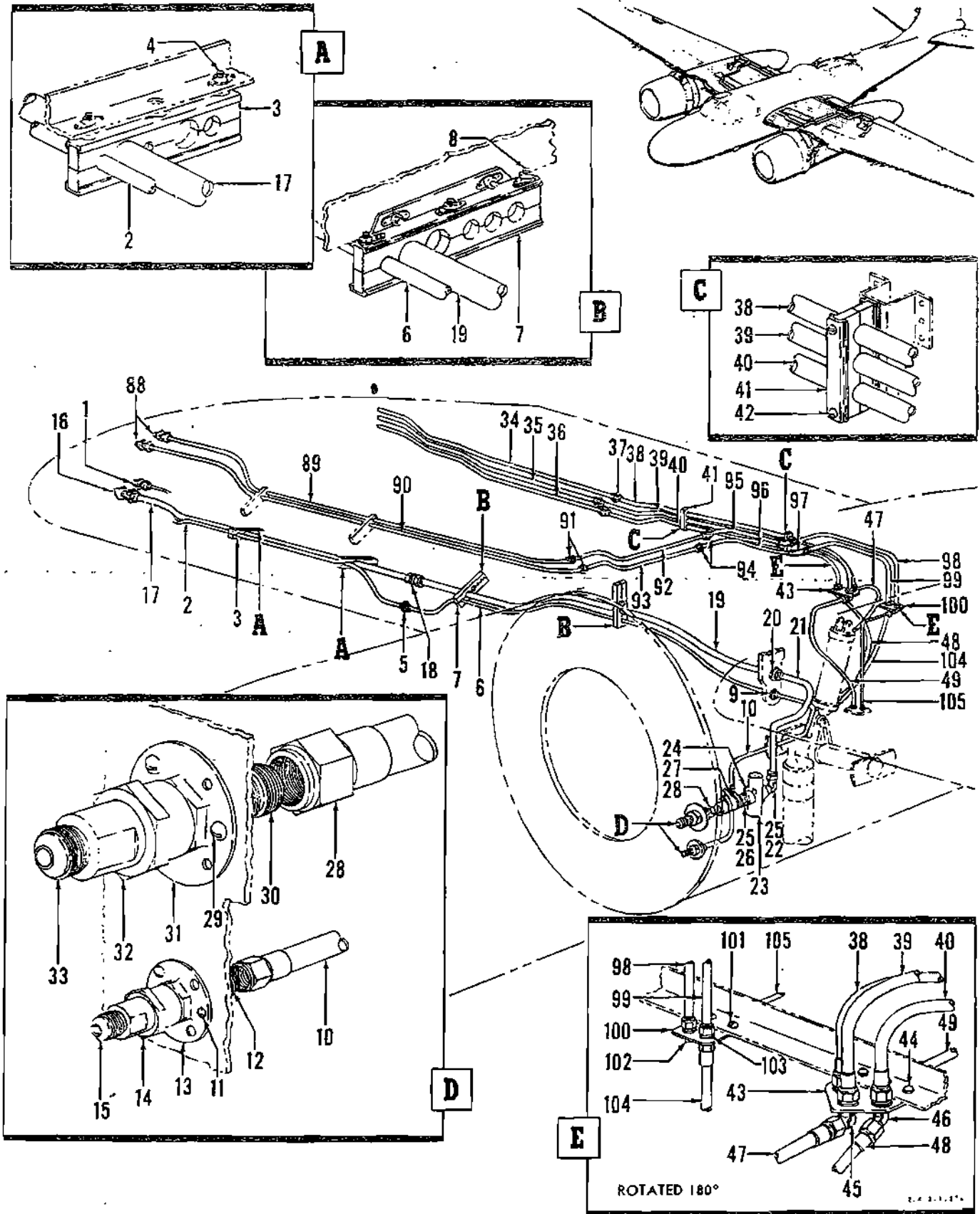


Figure 14. Wing LH and RH Hydraulic Installation (Sheet 1 of 2)

WING

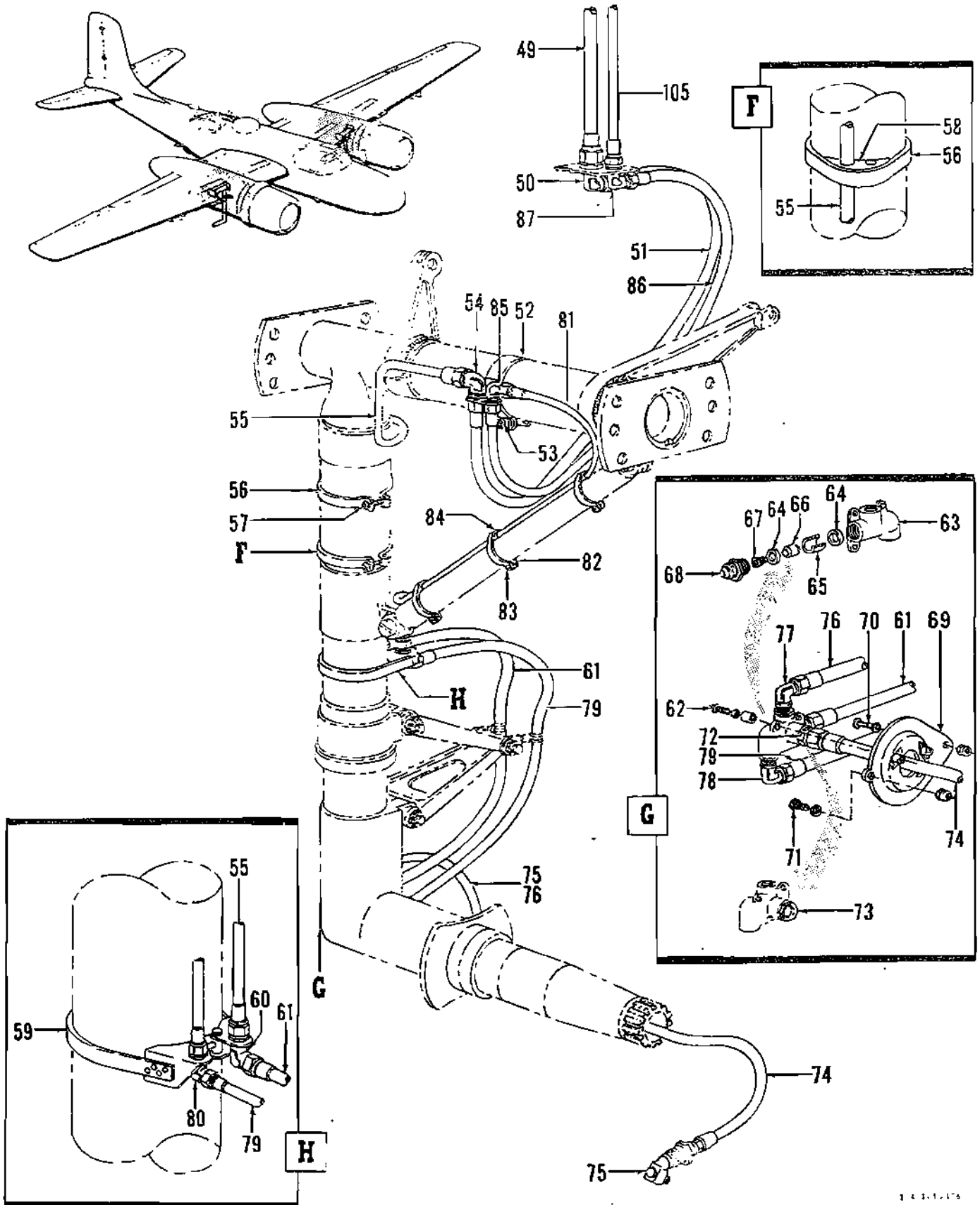


Figure 14. Wing LH and RH Hydraulic Installation (Sheet 2 of 2)

Section II
Group Assembly Parts List

T.O. 1B-26B-4

FIGURE & INDEX NO.	PART NO.	DESCRIPTION							UNITS PER ASSY	USABLE ON CODE
		1	2	3	4	5	6	7		
14-	5122085	HYDRAULIC INSTL, Wing LH (see figure 2)							Ref	
	5122087	HYDRAULIC INSTL, Wing RH (see figure 2)							Ref	
-1	5125734	HYDRAULIC PIPING INSTL, Wing leading edge LH							1	
	5125735	HYDRAULIC PIPING INSTL, Wing leading edge RH							1	
-2	AN832-8D	UNION							1	
	AN924-8D	NUT							1	
-3	4152528-2	LINE ASSY, Hydraulic LH							1	
	4152527-2	LINE ASSY, Hydraulic RH							1	
-4	2151774	CLAMP ASSY, Block							2	
	AN520-10-36	(ATTACHING PARTS)								
-5	2033900-69049-012	SCREW							3	
	AN960D10	SPACER							2	
-6	AN815-8D	WASHER							3	
	4152528-8	UNION							1	
-7	4152527-6	LINE ASSY, Hydraulic LH							1	
	2151773	LINE ASSY, Hydraulic RH							1	
-8	AN520-10-36	CLAMP ASSY, Block							2	
	AN960D10	(ATTACHING PARTS)								
-9	AN832-8D	SCREW (Used on 5125734)							3	
	AN924-8D	WASHER (Used on 5125734)							3	
-10	4152528-10	UNION (Used on 5125734)							1	
	4202542	NUT (Used on 5125734)							1	
-11	AN520-10-7	LINE ASSY, Hydraulic LH							1	
	AN960-10	COUPLING ASSY, Hydraulic self-sealing pressure line							1	
-12	AN365-1032	(ATTACHING PARTS)								
	AN6220-8	SCREW							3	
-13	AN6223-8	WASHER							3	
	AN6224-8	NUT							3	
-14	AN6221-8	COUPLING HALF							1	
	AN832-16D	UNION							1	
-15	AN924-16D	NUT							1	
	4152528-1	LINE ASSY, Hydraulic LH							1	
-16	4152527-1	LINE ASSY, Hydraulic RH							1	
	AN815-16D	UNION							1	
-17	4152528-6	LINE ASSY, Hydraulic LH							1	
	AN832-16D	UNION (Used on 5125734)							1	
-18	AN924-16D	NUT (Used on 5125734)							1	
	4152528-9	LINE ASSY, Hydraulic LH							1	
-19	4152527-7	LINE ASSY, Hydraulic RH							1	
	AN833-16D	ELBOW							1	
-20	AN924-16D	NUT							1	
	29072	VALVE ASSY, Hydraulic firewall shutoff (WAH)							1	
-21	AN4-243A	(ATTACHING PARTS)								
	ANS63-428	BOLT							2	
-22	AN6290-16	NUT							2	
	AN807-16D	GASKET							2	
-23	AN737TW44-46	ADAPTER							1	
	4152528-11	HOSE, 1 ID by 3-3/4 in. long (make from hose spec MIL-H-6000)							1	
-24	4152527-9	CLAMP							2	
	4202815	LINE ASSY, Hydraulic LH							1	
-25	AN520-10-7	LINE ASSY, Hydraulic RH							1	
	AN960-10	COUPLING ASSY, Hydraulic self-sealing suction line							1	
-26	AN365-1032	(ATTACHING PARTS)								
	AN6220-16	SCREW							3	
-27	AN8223-16	WASHER							3	
	AN6224-16	NUT							3	
-28	AN6221-16	COUPLING HALF							1	
	5125736	FLANGE							1	
-29	5125737	NUT							1	
	4152526-1	COUPLING HALF							1	
-30	4152525-1	HYDRAULIC PIPING INSTL, Wing aft section LH							1	
	4152526-3	HYDRAULIC PIPING INSTL, Wing aft section RH							1	
-31	4152525-2	LINE ASSY, Hydraulic LH							1	
	4152526-2	LINE ASSY, Hydraulic RH							1	
-32	4152526-2	LINE ASSY, Hydraulic LH							1	
	4152525-3	LINE ASSY, Hydraulic RH							1	
-33	AN815-8D	UNION							3	
	4152526-7	LINE ASSY, Hydraulic LH							1	
-34	4152525-7	LINE ASSY, Hydraulic RH							1	
	4152525-7	LINE ASSY, Hydraulic LH							1	
-35	4152526-8	LINE ASSY, Hydraulic RH							1	
	4152525-9	LINE ASSY, Hydraulic LH							1	
-36	4152526-9	LINE ASSY, Hydraulic RH							1	
	4152525-8	LINE ASSY, Hydraulic LH							1	
-37	2203160	CLAMP ASSY, Block							2	
		(ATTACHING PARTS)								

FIGURE & INDEX NO.	PART NO.	1	2	3	4	5	6	7	DESCRIPTION	UNITS PER ASSY	USABLE ON CODE
14-42	ANS15-8-24								SCREW	2	
-43	1193946								SUPPORT (ATTACHING PARTS)	1	
-44	AN3-6A AN960D10 AN365-1032								BOLT WASHER NUT	3 3 3	
-45	AN833-8D AN924-8D								ELBOW NUT	2 2	
-46	AN837-8D AN924-8D								ELBOW NUT	1 1	
-47	MS28741-8-0270								HOSE ASSY	1	
-48	MS28741-8-0300 5125738 5125739								HOSE ASSY HYDRAULIC INSTL, Landing gear and brake LH HYDRAULIC INSTL, Landing gear and brake RH	1 1 1	
-49	4152530-7 4152529-7								LINE ASSY, Hydraulic LH LINE ASSY, Hydraulic RH	1 1	
-50	AN833-8D AN901-8A AN960D1216 AN924-8D								ELBOW GASKET WASHER (Used on 5125738) NUT	1 1 1 1	
-51	MS28741-8-0360								HOSE (Modify using leather sleeve)	1	
-52	4152603								CLAMP ASSY, Main shaft hydraulic tube (ATTACHING PARTS)	1	
-53	AN520-416-26 AN960D416 AN365-428								SCREW WASHER NUT	1 1 1	
-54	AN833-8D AN960D1216 AN924-8D								ELBOW WASHER NUT	1 1 1	
-55	4152530-2 4152529-2								LINE ASSY, Hydraulic LH LINE ASSY, Hydraulic RH	1 1	
-56	2062611-1804-016-03206								STRAP ASSY, Line supporting (ATTACHING PARTS)	2	
-57	AN520-10-28 AN960D10 AN365-1032								SCREW WASHER NUT	1 1 1	
-58	1152317-016								GROMMET	1	
-59	4129528 4129528-1								CONNECTOR ASSY, Brake flexible hose LH CONNECTOR ASSY, Brake flexible hose RH	1 1	
-60	AN833-8D AN901-8A AN960D1216 AN924-8D								ELBOW GASKET WASHER (Used on 5122086) NUT	1 1 1 1	
-61	MS28741-8-0360 4127548								HOSE ASSY VALVE ASSY, Emergency brake shuttle (ATTACHING PARTS)	1 1	
-62	AN520-416-14 AN960D416 2033900-6D049-006								SCREW WASHER SPACER	3 3 3	
-63	4127429								BODY, Emergency brake shuttle valve	1	
-64	H107675-016								SEAT, Hydropack	2	
-65	1127705								SPACER, Shuttle valve packing 1/2 in.	1	
-66	1127653								CONE, Shuttle valve 1/2 in.	1	
-67	1127663								SPRING, Shuttle valve 1/7 in.	1	
-68	2126688								CONNECTOR, Emergency brake shuttle valve	1	
-69	2153758 2153757								SUPPORT ASSY, Hydraulic brake shuttle valve LH SUPPORT ASSY, Hydraulic brake shuttle valve RH (ATTACHING PARTS)	1 1	
-70	AN4-10A AN960-416L AN365-428								BOLT WASHER NUT	1 1 1	
-71	AN4-13A AN960-416L AN365-428								BOLT WASHER NUT	1 1 1	
-72	AN815-6D AN6290-6								UNION (Used with Goodyear brakes) GASKET (Used with Goodyear brakes)	1 1	
-73	AN814-6D								PLUG AND BLEEDER (Used with Bendix brakes)	1	
-74	MS28741-6-0360 4195258								HOSE ASSY (Modify using leather sleeve) COUPLING ASSY, Disconnect (one required with Goodyear brakes)	1 2	
-75	40B374-6NS AN775-6 AN901-6A								BOLT, Hydraulic swivel coupling (used with Goodyear brakes) BOLT (Used with Bendix brakes) GASKET	2 2 4	
-76	MS28741-6-0160								HOSE ASSY	1	
-77	AN833-6D AN6290-6 AN924-6D								ELBOW GASKET NUT	1 1 1	

Section II
Group Assembly Parts List

T.O. 1B-26B-4

FIGURE & INDEX NO.	PART NO.	DESCRIPTION							UNITS PER ASSY	USABLE ON CODE
		1	2	3	4	5	6	7		
14-78	AN833-4D								1	
	AN6290-4								1	
	AN924-4D								1	
-79	MS28741-4-0390								1	
-80	AN833-4D								1	
	AN960D716								1	
	AN924-4D								1	
-81	4152530-3								1	
	4152529-3								1	
-82	2062611-0716-016-03206								3	
-83	AN520-10-24								1	
	AN960D10								1	
	AN365-1032								1	
-84	1152318-016								3	
-85	AN833-4D								1	
	AN960D716								1	
	AN924-4D								1	
-86	MS28741-4-0360								1	
-87	AN833-4D								1	
	AN960D716								1	
	AN924-4D								1	
	5122086								1	
	5122088								1	
-88	AN832-4D								2	Ref
	AN924-4D								2	Ref
-89	5194616-16								1	
-90	5194616-18								1	
-91	AN815-4D								2	
-92	5194616-14								1	
-93	5194616-12								1	
-94	AN815-4D								2	
-95	5194616-10								1	
-96	5194616-8								1	
-97	AN833-4D								2	
	AN924-4D								2	
-98	5194616-6								1	
-99	5194616-4								1	
-100	1193836								1	
-101	AN515-8-14								2	
	AN960D8								2	
	AN365-832								2	
-102	AN833-4D								1	
	AN924-4D								1	
-103	AN832-4D								1	
	AN924-4D								1	
-104	MS28741-4-0270								1	
-105	5194616-2								1	
	5194616-1								1	

WING

Group Assembly Parts List

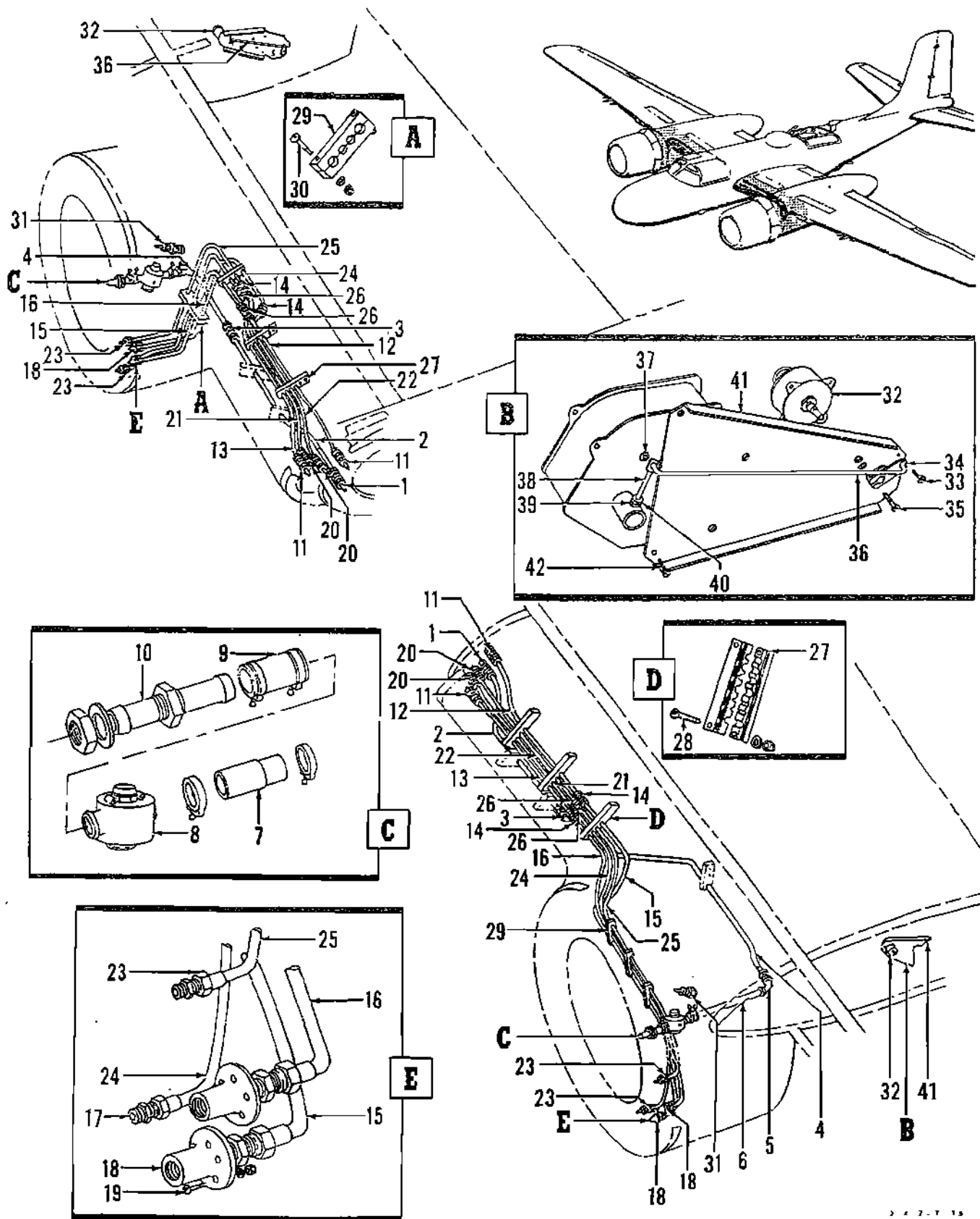


Figure 15. Wing LH and RH Instrument Installation

Section II

T.O. 1B-26B-4

Group Assembly Parts List

FIGURE & INDEX NO.	PART NO.	1	2	3	4	5	6	7	DESCRIPTION	UNITS PER ASSY	USABLE ON CODE
15.	5153082								INSTRUMENT INSTL. Wing LH (see figure 2)	Ref	A
	5153083								INSTRUMENT INSTL. Wing RH (see figure 2)	Ref	A
	5208326								INSTRUMENT INSTL. Wing LH (see figure 2)	Ref	B
	5208325								INSTRUMENT INSTL. Wing RH (see figure 2)	Ref	B
-1	AN832-12D								UNION	1	
	AN924-12D								NUT	1	
-2	4192983-1								LINE ASSY, Vacuum LH	1	
	4192984-1								LINE ASSY, Vacuum RH	1	
-3	AN815-12D								UNION	1	
-4	4192983-2								LINE ASSY, Vacuum LH	1	
	4192984-2								LINE ASSY, Vacuum RH	1	
-5	AN829-12D								EEBOW (Used on 5153082 and 5208326)	1	
	AN924-12D								NUT (Used on 5153083 and 5208326)	1	
-6	4192983-3								LINE ASSY, Vacuum (used on 5153082 and 5208326)	1	
-7	1128785								REDUCER, Wing instrument line	1	
	AN746-9								CLAMP	1	
	AN737TW34-38								CLAMP	1	
-8	AN6119-3								VALVE (GFP)	1	
-9	AN880-16-15								HOSE	1	
	AN737TW48-56								CLAMP	1	
-10	AN849-16D								CONNECTOR	1	
	AN960D2116								WASHER	1	
	AN924-16D								NUT	1	
-11	AN832-4D								UNION	2	
	AN924-4D								NUT	2	
-12	4192983-6								LINE ASSY, Manifold pressure LH	1	
	4192984-5								LINE ASSY, Manifold pressure RH	1	
-13	4192983-4								LINE ASSY, Fuel pressure gage vent LH	1	
	4192984-3								LINE ASSY, Fuel pressure gage vent RH	1	
-14	AN815-4D								UNION	2	
-15	4192983-7								LINE ASSY, Manifold pressure LH	1	
	4192984-6								LINE ASSY, Manifold pressure RH	1	
-16	4192983-5								LINE ASSY, Fuel pressure gage vent LH	1	
	4192984-4								LINE ASSY, Fuel pressure gage vent RH	1	
-17	AN816-4D								NIPPLE	2	
-18	1066151								COUPLING, Bulkhead flange 1/8-in. pipe thread (ATTACHING PARTS)	2	
-19	AN515-4-7								SCREW	5	
	AN960D4								WASHER	5	
	AN365-440								NUT	5	
-20	AN832-2D								UNION	2	
	AN924-2D								NUT	2	
-21	4192983-10								LINE ASSY, Fuel pressure LH	1	
	4192984-9								LINE ASSY, Fuel pressure RH	1	
-22	4192983-8								LINE ASSY, Oil pressure LH	1	
	4192984-7								LINE ASSY, Oil pressure RH	1	
-23	AN815-2D								UNION	2	
-24	4192983-11								LINE ASSY, Fuel pressure	1	
	4192984-10								LINE ASSY, Fuel pressure	1	
-25	4192983-9								LINE ASSY, Oil pressure	1	
	4192984-8								LINE ASSY, Oil pressure	1	
-26	AN832-2D								UNION	2	
	AN924-2D								NUT	2	
	AN826-4D								TÉE	1	B
-27	2192763								CLAMP ASSY, Bonded block No. 21 (ATTACHING PARTS)	3	
-28	AN520-6-20								SCREW	2	
	AN960D6								WASHER	2	
	AN365-632								NUT	2	
-29	2192799								CLAMP ASSY, Bonded block No. 22 (used on 5153082 and 5208326)	3	
	2202282								CLAMP ASSY, Fuselage section power plant instrument line (ATTACHING PARTS)	1	
-30	AN515-8-20								SCREW (Used on 5153082 and 5208326)	2	
	AN515-8-24								SCREW (Used on 5153083 and 5208325)	2	
	AN960D8								WASHER (Used on 5153083 and 5208325)	2	
	AN365-832								NUT (Used on 5153083 and 5208325)	2	
-31	AN5525-2								BULB (GFP)	1	
	5204600								TRANSMITTER INSTL, Oil cooler exit flap position LH	1	A
	5204600-1								TRANSMITTER INSTL, Oil cooler exit flap position RH	1	A
-32	8TJ9PAV								TRANSMITTER ASSY, Position (GE) (ATTACHING PARTS)	1	A
-33	AN515-6-8								SCREW	4	A
-34	1204602								ARM, Oil cooler exit flap position transmitter actuating	1	A
-35	AN3-7A								BOLT	1	A
	AN980-10								WASHER	1	A
	AN365-1032								NUT	1	A
-36	2204601								ROD, Oil cooler exit flap position transmitter actuating	1	A
-37	AN960-10								WASHER	2	A
-38	1204603								ARM, Oil cooler exit flap position transmitter adjustable	1	A
-39	AN365-1032								NUT	1	A
-40	AN315-3R								NUT	2	A

FIGURE & INDEX NO.	PART NO.	1 2 3 4 5 6 7 DESCRIPTION	UNITS PER ASSY	USABLE ON CODE
15-41	4204604 4204604-1	SUPPORT, Oil cooler exit flap position transmitter LH..... SUPPORT, Oil cooler exit flap position transmitter RH..... (ATTACHING PARTS)	1 1	A A
-42	AN530-8-8 AN960-8	SCREW..... WASHER..... A USAF 41-39100 thru 41-39599 B USAF 44-34098 thru 44-35996 43-22252 thru 43-22751	4 4	A A

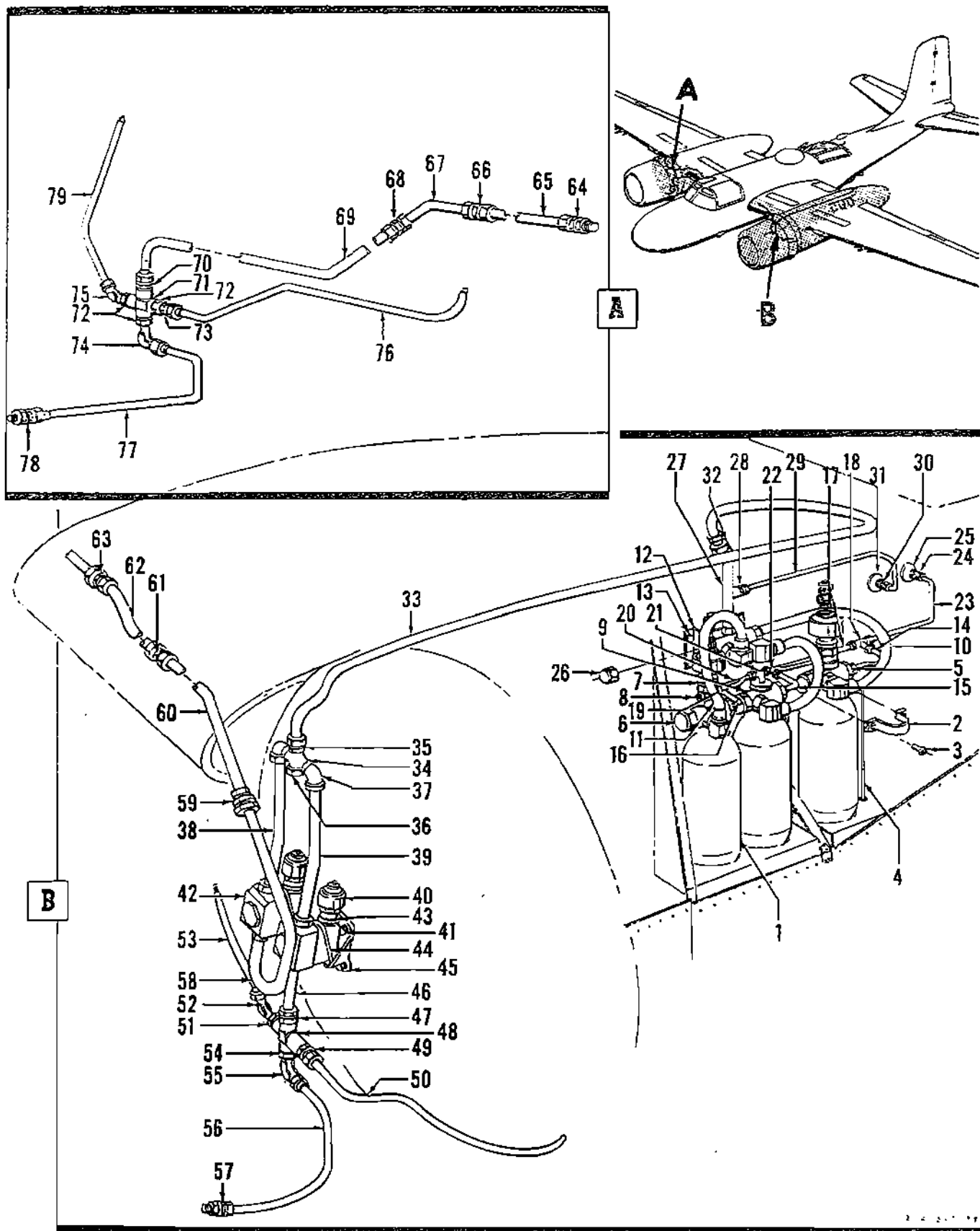


Figure 16. Wing LH and RH Fire Extinguisher System Installation

FIGURE & INDEX NO.	PART NO.	1 2 3 4 5 6 7	DESCRIPTION	UNITS PER ASSY	USABLE ON CODE
16-	5209588		FIRE EXTINGUISHER SYSTEM INSTL, Wing LH (see figure 2)	Ref	A
-1	981340		CYLINDER AND VALVE ASSY, CO ₂ pressure operated 205 cubic in. capacity winterized	3	A
-2	2275145		CEAMP, Fire extinguisher cylinder	3	A
-3	AN520-10-12		(ATTACHING PARTS) SCREW	2	A
-4	2275146		ROD, Fire extinguisher cylinder cradle tie	1	A
	AN365-1032		NUT	1	A
	AN320-3		NUT	1	A
-5	44B932S-1		VALVE ASSY, Piston cylinder solenoid operated	2	A
-6	44B9331-1		VALVE ASSY, Piston cylinder solenoid operated	1	A
-7	44B19953		CONTROL ASSY, Piston valve gas connector	2	A
-8	AN913-1		PLUG	2	A
-9	44A9312		VALVE ASSY, Pressure control flood	1	A
-10	6611S		HOSE ASSY, Flexible 3/8-in. ID (WK)	2	A
-11	6611E		HOSE ASSY, Flexible 5/8-in. ID (WK)	1	A
-12	80929		HEADER, Aircraft extinguishing system (WK)	1	A
			(ATTACHING PARTS)		
-13	AN4-11A		BOLT	4	A
-14	5275019-526		PIPING ASSY, Fire extinguisher LH	1	A
-15	5275019-524		PIPING ASSY, Fire extinguisher LH	1	A
-16	5275019-522		PIPING ASSY, Fire extinguisher LH	1	A
-17	5275019-528		PIPING ASSY, Fire extinguisher LH	1	A
-18	AN822-4D		TEE	2	A
-19	AN815-4		NIPPLE	2	A
-20	5275019-532		PIPING ASSY, Fire extinguisher LH	1	A
-21	AN825-4		TEE	1	A
-22	5275019-534		PIPING ASSY, Fire extinguisher LH	1	A
-23	5275019-530		PIPING ASSY, Fire extinguisher LH	1	A
-24	AN816-4		NIPPLE	1	A
-25	41A4178		INDICATOR ASSY, Gas blowout inspection	1	A
-26	AN929-20		CAP ASSY	1	A
-27	4275602		TUBE ASSY, Fire extinguisher main discharge	1	A
-28	AN816-4		ELBOW	1	A
-29	5275019-520		PIPING ASSY, Fire extinguisher LH	1	A
-30	AN816-4		NIPPLE	1	A
-31	32420A		INDICATOR, Discharge (WK)	1	A
-32	AN919-26D		REDUCER	1	A
-33	5275019-500		PIPING ASSY, Fire extinguisher LH	1	A
-34	AN918-6D		CROSS	1	A
-35	AN816-10-12		NIPPLE	2	A
-36	AN929-16		CAP ASSY	1	A
-37	AN822-16-12		ELBOW	2	A
-38	5275019-514		PIPING ASSY, Fire extinguisher LH	1	A
-39	4278787		PIPING ASSY, Fire extinguisher	1	A
-40	4275762		VALVE ASSY, Fire extinguisher system direction	1	A
			(ATTACHING PARTS)		
-41	AN3-6A		BOLT	6	A
	AN960D10		WASHER	6	A
-42	44D9226		VALVE ASSY, Airplane direction solenoid operation (GFP)	2	A
			(ATTACHING PARTS)		
-43	2275760		U-BOLT, Fire direction valve neck	2	A
	AN960D10		WASHER	4	A
	AN365-1032		NUT	2	A
-44	2275761		U-BOLT, Fire direction valve body	2	A
	AN960D10		WASHER	4	A
	AN365-1032		NUT	2	A
-45	5275623		SUPPORT, Fire extinguisher direction valve	1	A
-46	5275019-506		PIPING ASSY, Fire extinguisher LH	1	A
-47	AN816-16-12		NIPPLE	1	A
-48	AN918-6D		CROSS	1	A
-49	AN816-10		NIPPLE	1	A
-50	5275019-510		PIPING ASSY, Fire extinguisher LH	1	A
-51	AN912-7		BUSHING	1	A
-52	AN823-10		ELBOW	1	A
-53	5275019-512		PIPING ASSY, Fire extinguisher LH	1	A
-54	AN912-7		BUSHING	1	A
-55	AN822-10		ELBOW	1	A
-56	5275019-508		PIPING ASSY, Fire extinguisher LH	1	A
-57	AN832-10D		UNION	1	A
	AN924-10D		NUT	1	A
-58	5275019-516		PIPING ASSY, Fire extinguisher LH	1	A
-59	AN919-26D		REDUCER	1	A
-60	5275019-536		PIPING ASSY, Fire extinguisher LH	1	A
-61	AN815-16		UNION	1	A
-62	5275019-518		PIPING ASSY, Fire extinguisher LH	1	A
-63	AN832-16D		UNION	1	A
	AN960D2116		WASHER	1	A
	AN924-16D		NUT	1	A
	5209587		FIRE EXTINGUISHING SYSTEM INSTL, Wing RH (See figure 2)	Ref	A

Section II
Group Assembly Parts List

T.O. 1B-26B-4

FIGURE & INDEX NO.	PART NO.	DESCRIPTION							UNITS PER ASSY	USABLE ON CODE
		1	2	3	4	5	6	7		
16-64	AN892-16D								1	A
	AN960D2116								1	A
	AN924-16D								1	A
-65	5275020-500								1	A
-66	AN815-16D								1	A
-67	5275020-510								1	A
-68	AN815-16D								1	A
-69	5275020-502								1	A
-70	AN816-16-12								1	A
-71	AN918-6D								1	A
-72	AN912-7								3	A
-73	AN816-10								1	A
-74	AN822-10								1	A
-75	AN823-10								1	A
-76	5275019-510								1	A
-77	5275019-508								1	A
-78	AN832-10								1	A
	AN960-1216								1	A
	AN924-10D								1	A
-79	5275019-512								1	A
		A USAF 44-34333 thru 44-35197								
		44-35198 thru 44-35996								

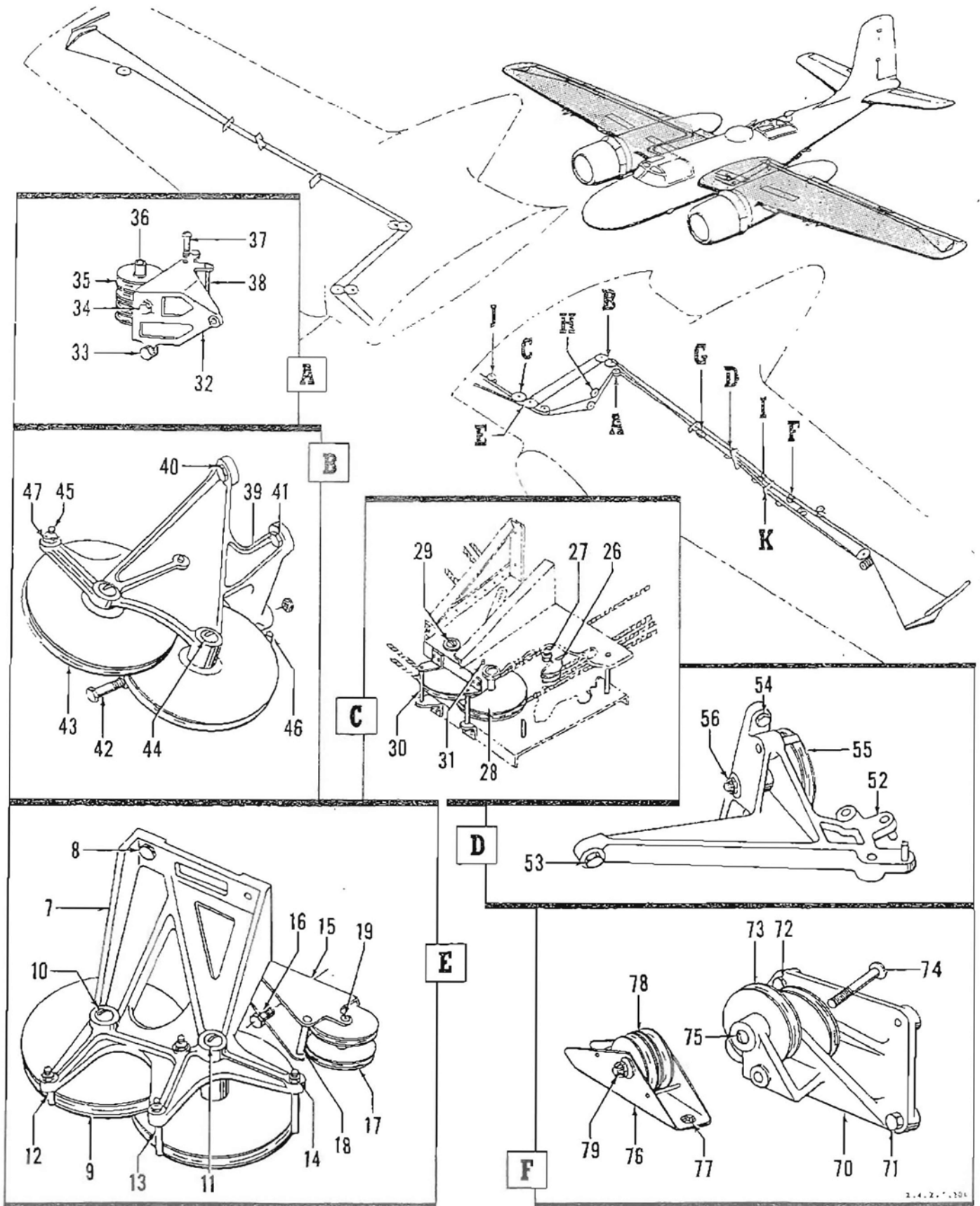


Figure 17. Wing Flight LH and RH Control Installation (Sheet 1 of 2)

Section II
Group Assembly Parts List

T.O. 1B-26B-4

WING

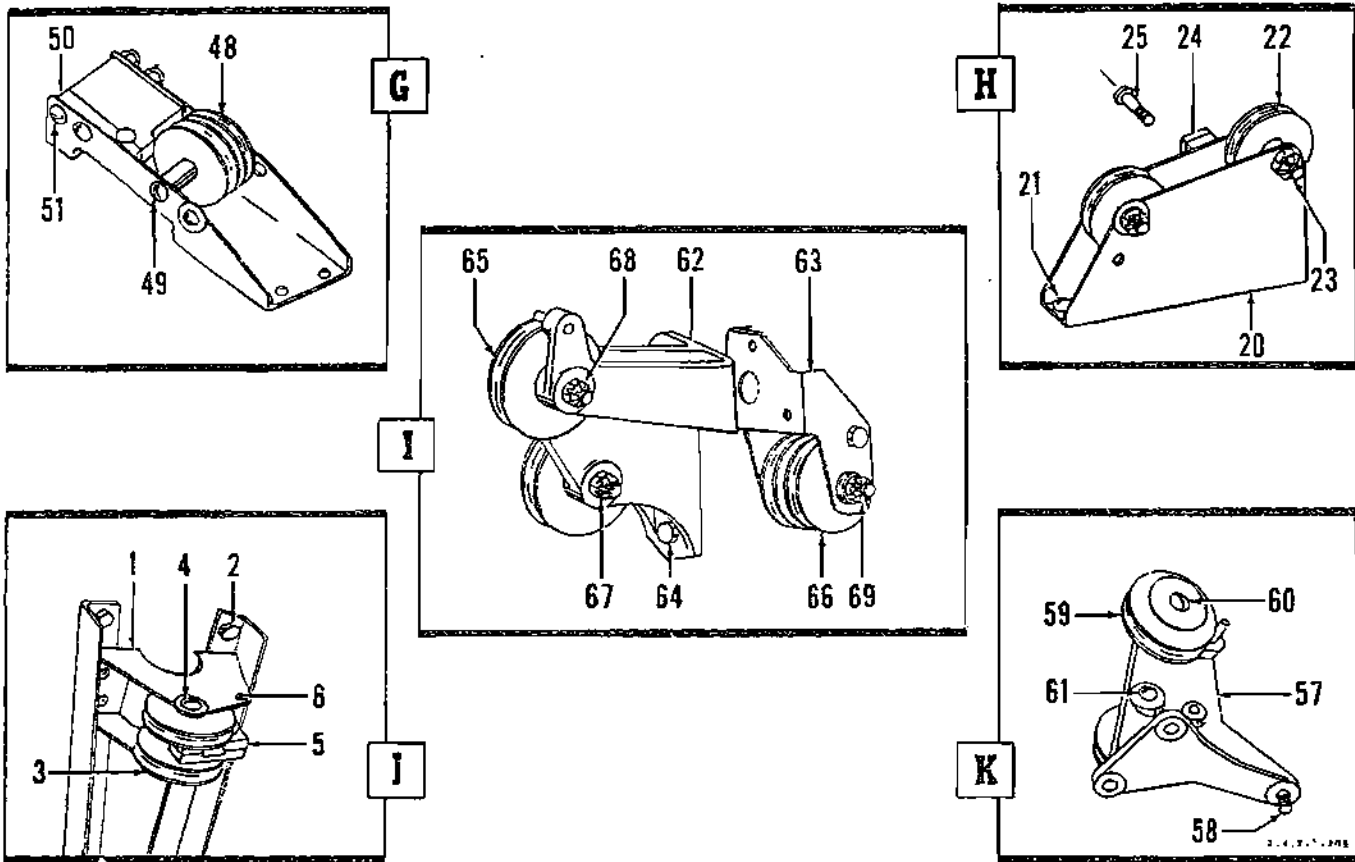


Figure 17. Wing LH and RH Flight Control Installation (Sheet 2 of 2)

FIGURE & INDEX NO.	PART NO.								DESCRIPTION	UNITS PER ASSY	USABLE ON CODE
		1	2	3	4	5	6	7			
17-	5153095								CONTROL INSTL, Wing flight LH (see figures 2 and 18)	Ref	A-D
	5153095-1								CONTROL INSTL, Wing flight RH (see figures 2 and 18)	Ref	A-D
	5275857								CONTROL INSTL, Wing flight LH (see figures 2 and 18)	Ref	E
	5275857-1								CONTROL INSTL, Wing flight RH (see figures 2 and 18)	Ref	E
	5128618								CONTROL INSTL, Aileron trim sta 52 (used on 5153095 and 5275857)	1	
-1	4128263							BRACKET ASSY, Aileron trim pulley (ATTACHING PARTS)	1		
-2	1029679P8-8								SCREW, Chromium molybdenum steel	4	
	AN960D8								WASHER	4	
	AN365-832								NUT	4	
-3	AN210-1A							PULLEY	2		
-4	AN23-25								BOLT	1	
	AN960D10								WASHER	1	
	AN320-3								NUT	1	
-5	1128829							FAIRLEAD, Aileron trim pulley (ATTACHING PARTS)	1		
-6	AN515-B-28								SCREW	1	
	AN960D8								WASHER	1	
	NAS43DD2-214								SPACER, (formerly 117425-2D107)	1	
	AN365-832								NUT	1	
-7	5206755								CONTROL INSTL, Wing flight LH sta 74 front spar	1	C-E
	5206754								CONTROL INSTL, Wing flight RH sta 74 front spar	1	C-E
	5206618								BRACKET, Flight control LH	1	C-E
	5206617								BRACKET, Flight control RH (ATTACHING PARTS)	1	C-E
									BOLT (Two used on 5206617)	4	C-E
-8	AN5-12A								BOLT (Used on 5206617)	2	C-E
	AN960-516								WASHER	4	C-E
	AN365-524								NUT	4	C-E
									PULLEY	2	C-E
-10	AN26-3D								BOLT	1	C-E
	AN970-6								WASHER	1	
	AN320-6								NUT	1	

FIGURE & INDEX NO.	PART NO.	DESCRIPTION							UNITS PER ASSY	USABLE ON CODE
		1	2	3	4	5	6	7		
17-11	AN26-40								1	C-E
	AN970-6								1	C-E
	AN320-6								1	C-E
-12	2202008-2								2	C-E
-13	2202008-4								2	C-E
-14	AN365-1032								4	C-E
-15	2206606								1	C-E
-16	ANS-6								3	C-E
	AN960-10								3	C-E
	AN365-1032								3	C-E
-17	AN210-2A								2	C-E
-18	NAS427K23								2	C-E
-19	AN23-23								1	C-E
	NAS43DD3-32								1	C-E
	AN960-10								1	C-E
	AN320-3								1	C-E
	5128571								1	C-E
-20	2179160								1	
-31	AN320-10-7								2	
	AN365-1032								2	
-22	AN210-1A								2	
-23	AN23-18								2	
	AN960-10								4	
	AN320-3								2	
-24	2203463								1	
-25	ANS15-8-14								2	
	5128489								1	A,B
	5128606								1	A,B
-26	AN210-2A								2	A,B
-27	AN23-31								1	A,B
	NAS43DD3-32								1	A,B
	AN960D10								1	A,B
	AN320-3								1	A,B
-28	AN210-6A								2	A,B
-29	AN26-32								1	A,B
	AN26-30								1	A,B
	AN960D616								2	A,B
	AN320-6								2	A,B
-30	NAS427K25								1	A,B
-31	143358-025								3	A,B
	5207047								1	B
	5207047-1								1	B
	5206756								1	C-E
	5206756-1								1	C-E
	5125744								1	A
	5125744-1								1	A
-32	5125741								1	
	5125741-1								1	
-33	AN3-10A								2	
	AN960D10								2	
	AN365-1032								2	
-34	AN3-11A								1	
	AN960D10								1	
	AN365-1032								1	
-35	AN210-2A								4	
-36	NAS43HT3-38								1	
-37	AN23-34								1	
	AN960-10								1	
	AN320-3								1	
-38	143358-123								2	
-39	5206757								1	C-E
	5206757-1								1	C-E
-40	AN5-11A								1	C-E
	AN960-516								1	C-E
	AN365-524								1	C-E
-41	AN5-12A								2	C-E
	AN960-516								2	C-E
	AN365-524								2	C-E
-42	AN5-13A								1	C-E
	AN960-516								1	C-E
	AN365-524								1	C-E
-43	AN210-6A								2	
-44	AN26-30								2	A,B
	AN26-44								2	C-E
	AN960-716								2	
	AN320-6								2	

Section II
Group Assembly Parts List

T.O. 1B-26B-4

FIGURE & INDEX NO.	PART NO.	1	2	3	4	5	6	7	DESCRIPTION	UNITS PER ASSY	USABLE ON CODE
17-45	143358-202								PIN, Pulley guard	2	C-E
-46	2207008-2								GUARD	2	C-E
-47	AN365-1032								NUT	2	C-E
	4127454								CONTROL INSTL, Wing flight LH sta 141	1	
-48	AN210-1A								PULLEY	2	
-49	AN23-30								BOLT	1	
	NAS43DD3-54								SPACER: (formerly 117425-3D027)	1	
	AN960D10								WASHER	1	
	AN320-3								NUT	1	
-50	1127675								FAIRLEAD ASSY, Wing sta 141 LH (ATTACHING PARTS)	1	
-51	AN526-832-32								SCREW	2	
	AN960D8								WASHER	2	
	AN365-832								NUT	2	
	5190557								CONTROL INSTL, Wing flight LH sta 181	1	
-52	5190557-1								CONTROL INSTL, Wing flight RH sta 181	1	
	5190556								BRACKET ASSY, Wing flight control	1	
	5190558-1								BRACKET ASSY, Wing flight control RH (ATTACHING PARTS)	1	
-53	AN3-7A								BOLT	1	
	AN960D10								WASHER	1	
	AN365-1032								NUT	1	
-54	AN3-6A								BOLT	2	
	AN960D10								WASHER	2	
	AN365-1032								NUT	2	
-55	AN210-3A								PULLEY	1	
-56	AN24-28								BOLT	1	
	AN970-4								WASHER	1	
	AN960D416								WASHER	1	
	AN320-4								NUT	1	
	4190331								CONTROL INSTL, Aileron trim LH sta 205	1	A-D
-57	4190310								BRACKET ASSY, Aileron trim pulley (ATTACHING PARTS)	1	A-D
-58	AN3-5A								BOLT	3	A-D
	AN365-1032								NUT	3	A-D
-59	AN210-1A								PULLEY	2	A-D
-60	AN23-22								BOLT	1	A-D
	AN970-3								WASHER	2	A-D
	AN320-3								NUT	2	A-D
-61	AN23-20								BOLT	1	A-D
	AN960D10								WASHER	2	A-D
	3275743								CONTROL INSTL, Flight LH sta 205	1	E
-62	3275743-1								CONTROL INSTL, Flight RH sta 205	1	E
	3275689								BRACKET ASSY, Aileron control LH	1	E
	3275689-1								BRACKET ASSY, Aileron control RH	1	E
-63	3276009								BRACKET ASSY, Trim tab cable (ATTACHING PARTS)	1	E
-64	AN4-7A								BOLT	3	E
	AN960-416								WASHER	3	E
	AN365-428								NUT	3	E
-65	AN210-3A								PULLEY	2	E
-66	AN210-1A								PULLEY	2	E
-67	AN24-27								BOLT	1	E
	AN960-416								WASHER	1	E
	AN320-4								NUT	1	E
-68	AN24-28								BOLT	1	E
	AN960-416								WASHER	1	E
	AN320-4								NUT	1	E
-69	AN23-38								BOLT	1	E
	AN960-10								WASHER	1	E
	AN320-3								NUT	1	E
	3275626								CONTROL INSTL, Aileron LH sta 226	1	E
	3275626-1								CONTROL INSTL, Aileron RH sta 226	1	E
-70	5275625								BRACKET ASSY, Aileron control LH	1	E
	5275625-1								BRACKET ASSY, Aileron control RH (ATTACHING PARTS)	1	E
-71	AN3-7A								BOLT	2	E
	AN960-10								WASHER	2	E
	AN365-1032								NUT	2	E
-72	AN3-10A								BOLT	2	E
	AN960-10								WASHER	2	E
	AN365-1032								NUT	2	E
-73	AN210-3A								PULLEY	2	E
-74	AN24-25								BOLT	1	E
	AN960-416								WASHER	1	E
	AN320-4								NUT	1	E
-75	AN24-29								BOLT	1	E
	AN960-416								WASHER	1	E
	AN320-4								NUT	1	E
-76	3275864								BRACKET ASSY, Trim tab control (used on 5275625) (ATTACHING PARTS)	1	E

FIGURE & INDEX NO.	PART NO.	DESCRIPTION							UNITS PER ASSY	USABLE ON CODE		
		1	2	3	4	5	6	7				
17-77 -78 -79	1029421-10-14 AN960-10 AN365-1032								2	E		
									2	E		
									2	E		
		AN210-1A AN23-23 AN960-10 AN320-3								2	E	
									1	E		
									1	E		
									1	E		
	A		USAF 41-39100 thru 41-39149						D	USAF 41-39425 thru 41-39599		
			43-22152 thru 43-22301							44-34598 thru 44-34217		
										44-35198 thru 44-35937		
	B		USAF 41-39150 thru 41-39299						E	USAF 44-34216 thru 44-35197		
	43-22302 thru 43-22751							44-35938 thru 44-36797				
C	USAF 41-39300 thru 41-39424											

Section II
Group Assembly Parts List

T.O. 1B-26B-4
WING

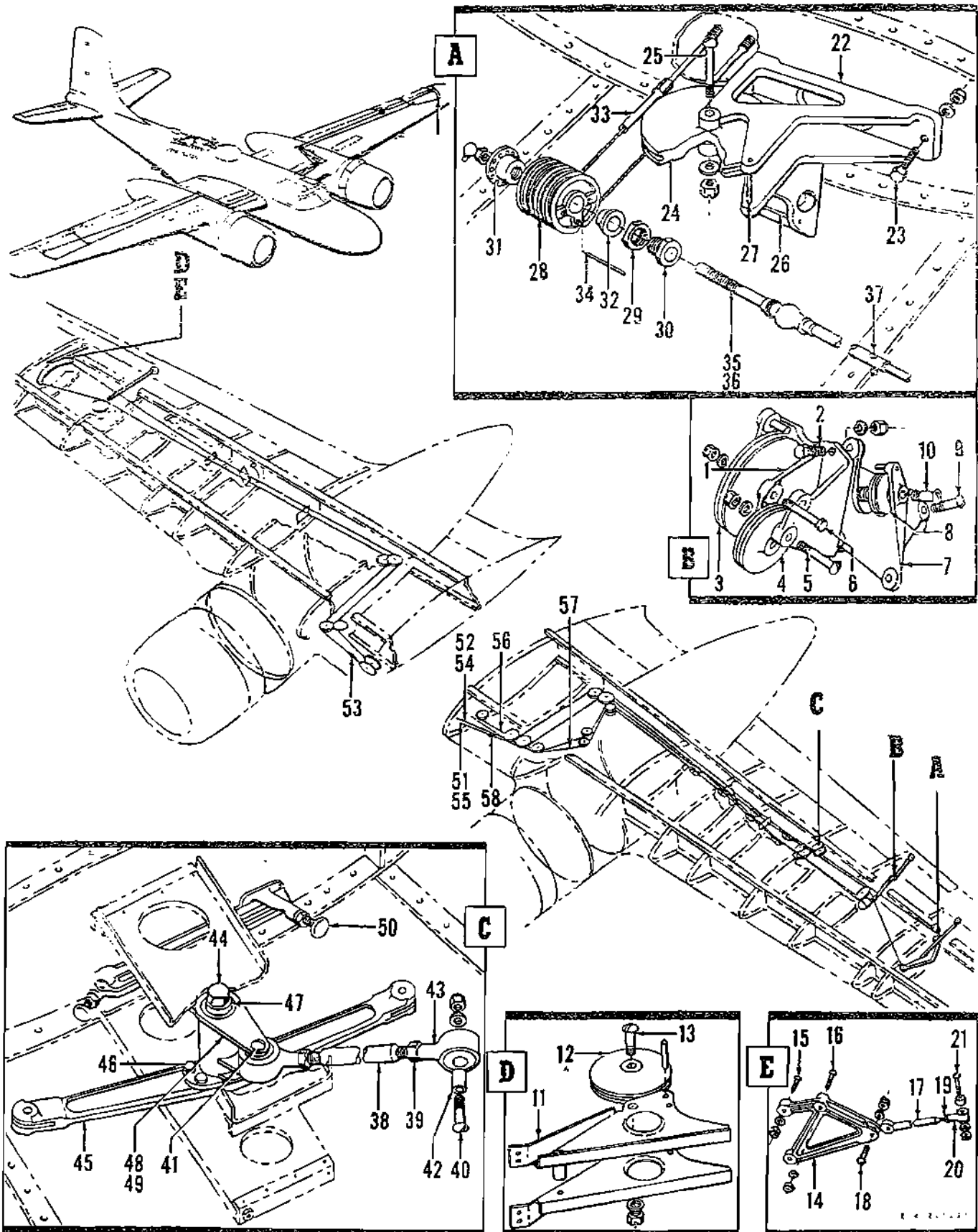


Figure 18. Wing Flight LH and RH Control Installation

FIGURE & INDEX NO.	PART NO.	1 2 3 4 5 6 7	DESCRIPTION	UNITS PER ASSY	USABLE ON CODE
18-	5153095		CONTROL INSTL, Wing flight LH (see figures 2 and 17)	Ref	A-D
	5153095-1		CONTROL INSTL, Wing flight RH (see figures 2 and 17)	Ref	A-D
	5275857		CONTROL INSTL, Wing flight LH (see figures 2 and 17)	Ref	E
	5275857-1		CONTROL INSTL, Wing flight RH (see figures 2 and 17)	Ref	E
	5275647		CONTROL INSTL, Flight sta 241 LH	1	E
-1	5275647-1		CONTROL INSTL, Flight sta 241 RH	1	E
	3275180		BRACKET ASSY, Flight control LH	1	E
	2275180-1		BRACKET ASSY, Flight control RH	1	E
-2	AN3-6A		(ATTACHING PARTS)		
	AN960-10		BOLT	4	E
	AN365-1032		WASHER	4	E
			NUT	4	E
-3	AN210-4A		PULLEY	1	E
-4	AN210-5A		PULLEY	1	E
-5	AN24-30		BOLT	1	E
	AN960-416		WASHER	1	E
	AN320-4		NUT	1	E
-6	AN74A14		BOLT	1	E
	AN960-416		WASHER	1	E
	AN320-4		NUT	1	E
-7	3276048		BRACKET ASSY, Trim tab control (used on 5275647)	1	E
-8	AN210-1A		PULLEY	2	E
-9	AN23-18		BOLT	1	E
	AN960-10		WASHER	1	E
	AN320-3		NUT	1	E
-10	AN23-21		BOLT	1	E
	AN960-10		WASHER	1	E
	AN320-3		NUT	1	E
	5125690		CONTROL INSTL, Flight sta 273 (used on 5133095-1 and 5275857-1)	1	E
-11	5125689		BRACKET ASSY, Aileron	1	E
-12	AN210-5A		PULLEY	1	E
-13	AN26-17		BOLT	1	E
	AN960D616		WASHER	1	E
	AN320-5		NUT	1	E
-14	4123791		BRACKET, Trim tab control (ATTACHING PARTS)	1	
-15	AN509-416R19		SCREW (formerly 1029421-416-20)	1	
	AN960D416		WASHER	1	
	AN365-420		NUT	1	
-16	AN509-416R23		SCREW (formerly 1029421-416-24)	2	
	AN960D416		WASHER	2	
	AN365-420		NUT	2	
-17	2123243		ROD ASSY, Aileron trim tab control (ATTACHING PARTS)	1	
-18	AN23-18		BOLT	1	
	AN960-10		WASHER	1	
	AN320-3		NUT	1	
	AN207D3		BEARING	1	
-19	AN316-4R		NUT	1	
-20	1122850		END ASSY, Aileron tab rod adjusting bearing (ATTACHING PARTS)	1	
-21	AN23-17		BOLT	1	
	AN960-10L		WASHER	1	
	AN320-3		NUT	1	
	AR3		BEARING (TOR)	1	
	5125701		CONTROL INSTL, Wing sta 273 flight LH	1	A-D
	5276249		CONTROL INSTL, Wing sta 273 flight LH	1	E
-22	5125702		BRACKET, Aileron trim tab control (ATTACHING PARTS)	1	
-23	AN3-7A		BOLT	4	
	AN960D10		WASHER	4	
	AN365-1032		NUT	4	
	137690		BUSHING, Aileron trim tab control screw	1	
-24	AN210-5A		PULLEY	1	
-25	AN26-34		BOLT	1	
	AN960-616		WASHER	1	
	AN320-6		NUT	1	
-26	143358-219		PIN	2	
-27	NAS427K22		PIN (formerly 143358-112)	2	
-28	4127568-4		DRUM ASSY, Aileron trim tab control	1	
-29	141708-5		NUT, Aileron tab push-pull tube	1	
-30	1127625		NUT, Tab control adjusting	1	
-31	1127624		NUT, Aileron tab adjustable control	1	
-32	1193368		BUSHING, Aileron trim tab tube (altered from Oilite No. 16)	1	
	2123267		DRUM ASSY, Aileron tab adjusting control	1	
-33	2074407-9-9		CABLE ASSY, Swaged type 3/32-in. dia	1	
	-13224		CABLE ASSY, Swaged type 3/32-in. dia	1	
	2074407-9-9		CABLE ASSY, Swaged type 3/32-in. dia	1	
	-65016		CABLE ASSY, Swaged type 3/32-in. dia	1	
-34	144185-109		PIN, Control cable anchoring	2	

Section II
Group Assembly Parts List

T. O. 1B-26B-4

FIGURE & INDEX NO.	PART NO.	1	2	3	4	5	6	7	DESCRIPTION	UNITS PER ASSY	USABLE ON CODE	
16-35	2123242								TUBE ASSY, Aileron tab push-pull	1	A-C	
	2123242-6								TUBE	1	A-C	
-36	2208993								TUBE ASSY, Aileron tab push-pull	1	D, E	
	2208993-2								TUBE	1	D, E	
-37	2208984								END ASSY, Aileron tab push-pull tube	1	D, E	
	102967958-14								(ATTACHING PARTS)			
	AN960-10L								SCREW, Slotted; roundhead (LH only)	2	D, E	
	AN365-832								WASHER	2	D, E	
									NUT	2	D, E	
-38	5125755								AILERON INSTL, Differential mechanism LH	1		
	5125755-1								AILERON INSTL, Differential mechanism RH	1		
-39	2123224								TUBE ASSY, Aileron push pull	1		
	AN315-6R								NUT	2		
-40	1060325								END ASSY, Aileron control tube adjusting	2		
	AN24-28								(ATTACHING PARTS)			
-41	AN960D416								BOLT	1		
	AN320-4								WASHER	1		
-42	AN24-31								NUT	1		
	AN960D416								BOLT	1		
-43	AN320-4								WASHER	1		
	AE4								NUT	1		
-44	1060325-2								BEARING (SHA)	1		
	4127422								END, Aileron control tube adjusting	1		
-45	4127422-1								BELLCRANK ASSY, Aileron differential LH	1		
	ANS-44								BELLCRANK ASSY, Aileron differential RH	1		
-46	AN960D516								(ATTACHING PARTS)			
	AN310-5								BOLT	1		
-47	4127423								WASHER	2		
	4123182								NUT	1		
-48	4123182-1								HORN, Aileron differential bellcrank	1		
	AN24-14								ARM ASSY, Aileron bellcrank LH	1		
-49	AN960D416								ARM ASSY, Aileron bellcrank RH	1		
	AN320-4								(ATTACHING PARTS)			
-50	1114003-5-12								BOLT	4		
	AN960D516								WASHER	4		
-51	AN335-5								NUT	4		
	2074410-7-10								BEARING	2		
-52	-33616								SPACER, Aileron bellcrank bearing	1		
	2074410-7-10								ARM, Aileron bellcrank LH	1		
-53	-32900								ARM, Aileron bellcrank RH	1		
	AN155-46L								STOP, Coarse threaded rubber covered	2		
-54	2074410-7-10								WASHER	2		
	-33516								NUT	2		
-55	2074410-7-10								CABLE ASSY, Aileron left wing down	2	E	
	-32216								CABLE ASSY, Aileron right wing down	2	E	
-56	2074407-7-8								BARREL	2	E	
	-27608								CABLE ASSY, Aileron left wing down	1	A-D	
-57	2074407-7-8								CABLE ASSY, Aileron right wing down	1	A-D	
	-24004								CABLE ASSY, Aileron left wing down	1	A-D	
-58	AN155-46L								CABLE ASSY, Aileron right wing down	1	A-D	
									BARREL	1	A-D	
		A USAF	41-39100	thru	41-39149				D USAF	41-39425	thru	41-39599
			43-22252	thru	43-22301					44-34098	thru	44-34217
										44-35198	thru	44-35937
		B USAF	41-39150	thru	41-39299				E USAF	44-34218	thru	44-35197
			43-22302	thru	43-22751					44-35938	thru	44-35996
		C USAF	41-39300	thru	41-39424							

WING

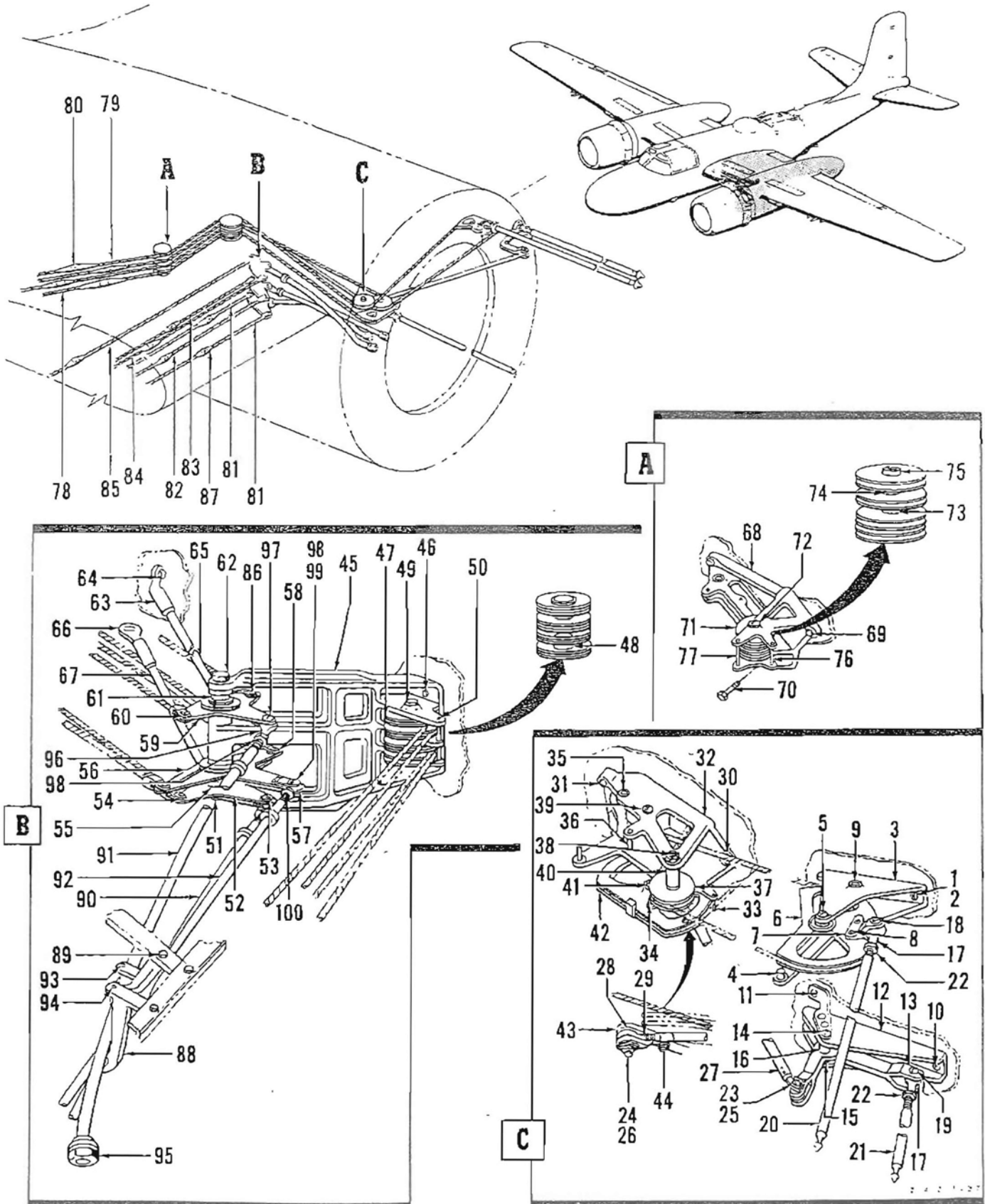


Figure 19. Wing, Engine and Propeller LH Control Installation

Section II

T.O. 1B-26B-4

Group Assembly Parts List

FIGURE & INDEX NO.	PART NO.	1	2	3	4	5	6	7	DESCRIPTION	UNITS PER ASSY	USABLE ON CODE
19-	5153100 5202718 5195407								CONTROL INSTL, Wing, engine and propeller LH (see figure 2)	Ref	A
									CONTROLS INSTL, Firewall engine and carburetor air LH	1	A
									BRACKET ASSY, Firewall mixture control LH (ATTACHING PARTS)	1	A
-1	AN23-16A AN960D10 AN364-1032								BOLT	2	A
									WASHER	2	A
									NUT	2	A
-2	AN23-14A AN960D10 AN364-1032								BOLT	1	A
									WASHER	1	A
									NUT	1	A
-3	5195407-2								BRACKET	1	A
-4	146142-125-028 4195207 4298897								PIN, Cadmium plated bar steel	1	A
									CRANK ASSY, Firewall mixture control LH	1	A
									CRANK ASSY, Firewall mixture control LH (ATTACHING PARTS)	1	A
-5	AN23-26 AN960D10 AN320-3								BOLT	1	A
									WASHER	1	A
									NUT	1	A
-6	4195207-2								DRUM	1	A
-7	1194852								ARM, Firewall mixture control LH (ATTACHING PARTS)	1	A
-8	AN507-1032-14 AN960D10 AN365-1032								SCREW	2	A
									WASHER	2	A
									NUT	2	A
-9	143358-102 4195206								PIN, Pulley guard	1	A
									BRACKET ASSY, Firewall manifold pressure regulator bellcrank LH (ATTACHING PARTS)	1	A
-10	AN23-8A AN960D10 AN365-1032								BOLT	2	A
									WASHER	2	A
									NUT	2	A
-11	1029421-10-10 AN960D10 AN365-1032								SCREW (formerly 1029421-10-10)	1	A
									WASHER	1	A
									NUT	1	A
-12	4195206-2								BRACKET	1	A
-13	2195029								BELLCRANK ASSY, Firewall manifold pressure regulator LH (ATTACHING PARTS)	1	A
-14	AN23-20 AN960D10 AN320-3								BOLT	1	A
									WASHER	1	A
									NUT	1	A
-15	1026614G3-024								SPACER	1	A
-16	2062646-508S3								BUSHING, Upaet type	1	A
-17	REB3N								END, Rod (FAF) (ATTACHING PARTS)	2	A
-18	AN23-16 AN960D10 AN320-3								BOLT	1	A
									WASHER	1	A
									NUT	1	A
-19	AN23-17 AN960D10 AN320-3								BOLT	1	A
									WASHER	1	A
									NUT	1	A
-20	2062641-704A								ROD ASSY, Flash weld quick disconnect control 1/4-in. 28 thread	1	A
-21	2062641-903A								ROD ASSY, Flash weld quick disconnect control 1/4-in. 28 thread	1	A
-22	AN316-4R 2195030								NUT	2	A
									TUBE ASSY, Firewall manifold pressure regulator push-pull LH (ATTACHING PARTS)	1	A
-23	AN23-16 AN960D10 1205638 AN320-3								BOLT	1	A
									WASHER	1	A
									WASHER, Serrated throttle bellcrank LH	2	A
									NUT	1	A
-24	AN23-15 AN960D10 1205638 AN320-3								BOLT	1	A
									WASHER	1	A
									WASHER, Serrated throttle bellcrank LH	1	A
									NUT	1	A
-25	1026614G3-014								SPACER	1	A
-26	1026614G3-020								SPACER	1	A
-27	2195030-2								TUBE	1	A
-28	REB3N								END, Rod (FAF)	1	A
-29	AN316-4R 5195408								NUT	1	A
									BRACKET ASSY, Firewall engine control LH (ATTACHING PARTS)	1	A
-30	AN23-14A AN960D10 AN365-1032								BOLT	2	A
									WASHER	2	A
									NUT	2	A
-31	AN23-16A AN960D10 AN365-1032								BOLT	1	A
									WASHER	1	A
									NUT	1	A
-32	5195408-2								BRACKET	1	A

FIGURE & INDEX NO.	PART NO.	DESCRIPTION							UNITS PER ASSY	USABLE ON CODE
		1	2	3	4	5	6	7		
19-33	146142-125-100								2	A
-34	146142-125-027								2	A
-35	143358-107								1	A
-36	143358-102								1	A
-37	AN210-2A								2	A
-38	AN23-42								1	A
-39	AN25-34								1	A
-40	138275-8-60								1	A
	AN960D10								1	A
	AN320-3								1	A
	4195208								1	A
	4298898								1	A
									3	A
41	AN33-27								1	A
	AN960D10								1	A
	AN320-3								1	A
-42	1195208-2								1	A
-43	1194553								1	A
-44	ANS07-1032-14								2	A
	AN960D10								2	A
	AN365-1032								2	A
	5125285								1	A
-45	5125284								1	A
-46	AN3-10A								2	A
	AN960D10								2	A
	AN365-1032								2	A
-47	AN210-2A								4	A
-48	NAS43DD3-14								2	A
-49	AN3-27								1	A
	AN310-3								1	A
-50	143358-218								2	A
-51	117425-4D016								1	A
-52	4128124								1	A
-53	1125564								1	A
-54	131736-3S003								2	A
-55	NAS43DD4-40								1	A
-56	4128120								1	A
-57	1125564								1	A
-58	131736-3S003								2	A
-59	4128122								1	A
-60	131736-3S003								2	A
-61	117425-4D010								1	A
-62	AN4-66								1	A
	AN960D416								1	A
	AN310-4								1	A
-63	1127730								1	A
-64	AN3-7								1	A
	AN960D10								1	A
	AN310-3								1	A
-65	1127729-2								1	A
-66	1127731								1	A
-67	1127729-4								1	A
	5128638								1	A
-68	5128637								1	A
-69	AN4-11A								2	A
	AN960D416								2	A
	AN365-428								2	A
-70	AN4-12A								1	A
	AN960D416								1	A
	AN365-428								1	A
-71	AN210-2A								4	A
-72	AN23-42								1	A
-73	1074744-3D297								1	A
-74	1074744-3D141								1	A
-75	1074744-3D1								1	A
	AN960D10								1	A
	AN320-3								1	A
-76	NAS427R36								1	A
-77	143358-207								1	A
-78	4154040-26								1	A
-79	4154040-24								1	A
-80	AN155-16L								4	A
-81	2074407-16-5-3030								2	A
-82	2074407-16-5-3018								1	A
-83	2074407-16-5-2718								1	A

Section II
Group Assembly Parts List

T.O. 1B-26B-4

FIGURE & INDEX NO.	PART NO.								UNITS PER ASSY	USABLE ON CODE	
		1	2	3	4	5	6	7			DESCRIPTION
19-84	2074407-16-5-2806								CABLE ASSY, Swaged type 3/32-in. dia (carburetor air forward).....	1	A
-85	2074407-16-5-4424								CABLE ASSY, Swaged type 3/32-in. dia (carburetor air aft).....	1	A
-86	AN23-9								BOLT.....	6	A
	AN320-3								NUT.....	6	A
-87	AN155-16S								BARREL.....	6	A
	5128530								CONTROL INSTL, Flexible nacelle engine LH.....	1	A
-88	5128539								BRACKET, Flexible nacelle engine control LH.....	1	A
									(ATTACHING PARTS)		
-89	AN3-7								BOLT.....	3	A
	AN960D10								WASHER.....	3	A
	AN310-3								NUT.....	3	A
									- - - - -		
-90	B1128-1L								CONTROL ASSY, Propeller rpm (SA).....	1	A
-91	B1129-1L								CONTROL ASSY, Carburetor air (SA).....	1	A
-92	B1130-1L								CONTROL ASSY, Supercharger blower (SA).....	1	A
-93	NAS427K16								PN (Formerly 143358-100).....	1	A
-94	143358-221								PIN, Pulley guard.....	1	A
	AN960-1416								WASHER.....	6	A
-95	AN316-14R								NUT.....	3	A
-96	REB3N								END, Rod (RAF).....	3	A
									(ATTACHING PARTS)		
-97	AN23-16								BOLT.....	AR	A
	AN960D10								WASHER.....	AR	A
	AN320-3								NUT.....	AR	A
-98	AN23-19								BOLT.....	AR	A
-99	1205638								WASHER, Separated throttle bellcrank LH.....	AR	A
	AN320-3								NUT.....	AR	A
									- - - - -		
-100	AN316-4R								NUT.....	1	A
		A USAF 41-19100 thru 41-39499									
		43-22252 thru 43-22751									

WING

Group Assembly Parts List

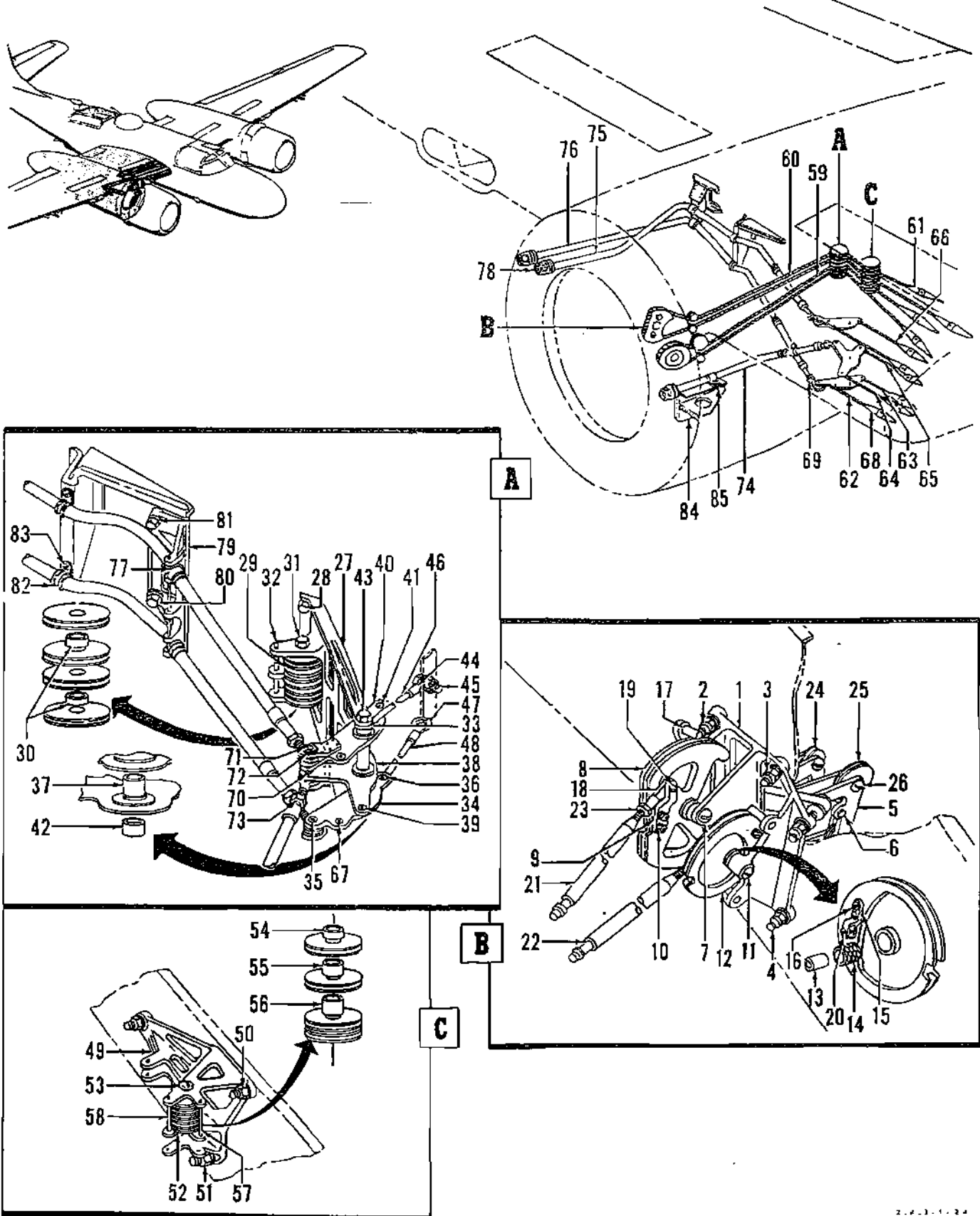


Figure 20. Wing, Engine and Propeller RH Control Installation

Section II
Group Assembly Parts List

T. O. 1B-26B-4

FIGURE & INDEX NO.	PART NO.	1	2	3	4	5	6	7	DESCRIPTION	UNITS PER ASSY	USABLE ON CODE
20-	5153107								CONTROL INSTL, Wing, engine and propeller RH (see figure 2)	Ref	A
	5202719								CONTROL INSTL, Firewall engine and carburetor air RH	1	A
-1	5195452								BRACKET, Firewall manifold pressure regulator and mixture control RH	1	A
	5195453								BRACKET, Firewall manifold pressure regulator and mixture control RH (ATTACHING PARTS)	1	A
-2	AN4-17A								BOLT	1	A
	AN960D416								WASHER	1	A
	AN365-428								NUT	1	A
-3	AN4-14A								BOLT	2	A
	AN960D416								WASHER	2	A
	AN365-428								NUT	2	A
-4	AN4-12A								BOLT	2	A
	AN960D416								WASHER	2	A
	AN365-428								NUT	2	A
-5	5195453-2								BRACKET	1	A
-6	146142-127-22								PEV	3	A
	4298896								CRANK ASSY, Firewall mixture control LH (formerly 4195247) (ATTACHING PARTS)	1	A
-7	AN23-29								BOLT	1	A
	AN960D10								WASHER	1	A
	AN320-3								NUT	1	A
-8	4195247-2								DRUM	1	A
-9	2195067								ARM, Firewall mixture control RH (ATTACHING PARTS)	1	A
-10	AN23-13A								BOLT	2	A
	AN960D10								WASHER	2	A
	AN364-1032								NUT	2	A
	4195248								CRANK ASSY, Firewall manifold pressure regulator control RH (ATTACHING PARTS)	1	A
-11	AN23-40								BOLT	1	A
	AN960D10								WASHER	1	A
	AN320-3								NUT	1	A
	4195249								DRUM ASSY, Firewall manifold pressure regulator control RH	1	A
-12	4195249-2								DRUM	1	A
-13	AN207D3								BEARING	1	A
-14	1128702								BUSHING, Knurled bearing retainer	1	A
-15	2195069								ARM, Firewall manifold pressure regulator control RH (ATTACHING PARTS)	1	A
-16	AN24-13A								BOLT	2	A
	AN960D416								WASHER	2	A
	AN364-428								NUT	2	A
-17	NAS427K10								PIN (formerly 143358-020)	4	A
-18	REB3N								END, Rod (EAF) (ATTACHING PARTS)	2	A
-19	AN23-16								BOLT	AR	A
	AN960D10								WASHER	AR	A
	AN320-3								NUT	AR	A
-20	AN23-26								BOLT	AR	A
	AN960D10								WASHER	AR	A
	AN320-3								NUT	AR	A
-21	2062641-612A								ROD ASSY, Flash weld quick disconnect control 1/4-in. 28 thread	1	A
-22	2062641-1000A								ROD ASSY, Flash weld quick disconnect control 1/4-in. 28 thread	1	A
-23	AN316-4R								NUT	2	A
-24	AN210-1A								PULLEY	3	A
-25	AN210-2A								PULLEY	1	A
-26	AN23-19								BOLT	4	A
	AN960D10								WASHER	4	A
	AN320-3								NUT	4	A
	5128085-1								CONTROL INSTL, Wing, engine and propeller sta 85 RH	1	A
-27	5128084-1								BRACKET, Wing, engine and propeller control sta 85 RH (ATTACHING PARTS)	1	A
-28	AN3-10A								BOLT	2	A
	AN960D10								WASHER	2	A
	AN365-1032								NUT	2	A
-29	AN210-2A								PULLEY	4	A
-30	NAS43DDJ-14								SPACER (formerly 117425-3D007)	2	A
-31	AN3-27								BOLT	1	A
	AN310-3								NUT	1	A
-32	143358-218								PIN, Pulley guard	2	A
-33	117425-4D016								SPACER	1	A

FIGURE & INDEX NO.	PART NO.	1	2	3	4	5	6	7	DESCRIPTION	UNITS PER ASSY	USABLE ON CODE
20-34	412S123								BELLCRANK ASSY, Supercharger blower	1	A
-35	1125564								BUSHING, Engine control bellcrank	1	A
-36	121736-3S003								BUSHING, Plain sleeve steel	2	A
-37	NAS43DD4-40								SPACER (formerly 117425-4D030)	1	A
-38	4207572								BELLCRANK ASSY, Propeller rpm	1	A
-39	181736-3S003								BUSHING, Plain sleeve steel	2	A
-40	4128121								BELLCRANK ASSY, Carburetor air	1	A
-41	151736-3S003								BUSHING, Plain sleeve steel	2	A
-42	117425-4D010								SPACER, Aluminum alloy for 1/4-in. dia bolt	1	A
-43	AN4-66								BOLT	1	A
	AN960D41E								WASHER	1	A
	AN310-4								NUT	1	A
-44	1127730								END, Wing sta 85 bracket upper support rod	1	A
									(ATTACHING PARTS)		
-45	AN3-7								BOLT	1	A
	AN960D10								WASHER	1	A
	AN310-3								NUT	1	A
-46	1127734-2								ROD, Engine control bracket support	1	A
-47	1127731								END, Wing sta 85 bracket lower support rod	1	A
-48	1127729-4								ROD, Engine control bracket support	1	A
	5128636-1								CONTROL INSTL, Wing, engine and propeller sta 84 RH	1	A
-49	5128637-1								BRACKET Wing, engine and propeller control sta 84 RH	1	A
									(ATTACHING PARTS)		
-50	AN4-11A								BOLT	2	A
	AN960D416								WASHER	2	A
	AN365-428								NUT	2	A
-51	AN4-12A								BOLT	1	A
	AN960D416								WASHER	1	A
	AN365-428								NUT	1	A
-52	AN210-2A								PULLEY	4	A
-53	AN23-42								BOLT	1	A
	AN960D10								WASHER	1	A
	AN320-3								NUT	1	A
-54	1074744-3D297								SPACER	1	A
-55	1074744-3D141								SPACER	1	A
-56	1074744-3D156								SPACER	1	A
-57	NAS427K36								PIN (formerly 143358-208)	1	A
-58	143358-207								PIN, Pulley guard	1	A
-59	4154040-22								CABLE ASSY, Engine control 3/32-in. dia (RH wing throttle)	1	A
-60	4154040-20								CABLE ASSY, Engine control 3/32-in. dia (RH wing mixture)	1	A
-61	AN155-16L								BARREL	4	A
-62	2074407-16-5-2610								CABLE ASSY, Swaged type 3/32-in. dia (blower forward)	1	A
-63	2074407-16-5-3724								CABLE ASSY, Swaged type 3/32-in. dia (blower aft)	1	A
-64	2074407-16-5-2532								CABLE ASSY, Swaged type 3/32-in. dia (rpm forward)	1	A
-65	2074407-16-5-3008								CABLE ASSY, Swaged type 3/32-in. dia (rpm aft)	1	A
-66	2074407-16-5-2828								CABLE ASSY, Swaged type 3/32-in. dia (carburetor air forward)	1	A
-67	AN23-10								BOLT	6	A
	AN320-3								NUT	6	A
-68	AN155-16S								BARREL	6	A
	5128695								CONTROL INSTL, Flexible nacelle engine RH	1	A
-69	REB3N								END, Rod (FAF)	3	A
									(ATTACHING PARTS)		
-70	AN23-16								BOLT	1	A
	AN960D10								WASHER	1	A
	AN320-3								NUT	1	A
-71	AN23-19								BOLT	2	A
-72	1205638								WASHER, Sealed throttle bellcrank RH	4	A
	AN320-3								NUT	2	A
-73	AN316-4R								NUT	3	A
-74	B1126-1R								CONTROL ASSY, Propeller rpm (SA)	1	A, B
-75	B1129-1R								CONTROL ASSY, Carburetor air (SA)	1	A
-76	B1130-1R								CONTROL ASSY, Supercharger blower (SA)	1	A
-77	143358-503								PIN, Pulley guard	1	A
	AN960-1416								WASHER	6	A
-78	AN316-14R								NUT	3	A
-79	4128298								SUPPORT, Flexible nacelle engine control RH	1	A
									(ATTACHING PARTS)		
-80	AN3-24A								BOLT	2	A
-81	AN3-14A								BOLT	2	A
	AN960D10								WASHER	1	A
	AN364-1032								NUT	2	A
-82	755-7-2-8								CLAMP (AD)	7	A
-83	AN520-10-10								SCREW	7	A
	5207368								RPM SUPPORT ASSY INSTL, Firewall RH	1	A
-84	4205590								SUPPORT ASSY, Propeller pitch control line engine mount	1	A
-85	AN515-8-8								SCREW	1	A
	AN960D8								WASHER	1	A
	AN355-832								NUT	1	A

A USAF 41-39100 thru 42-39499
43-22252 thru 43-22751
B USAF 44-35198 thru 44-35399

Section II
Group Assembly Parts List

T.O. 1B-26B-4

WING

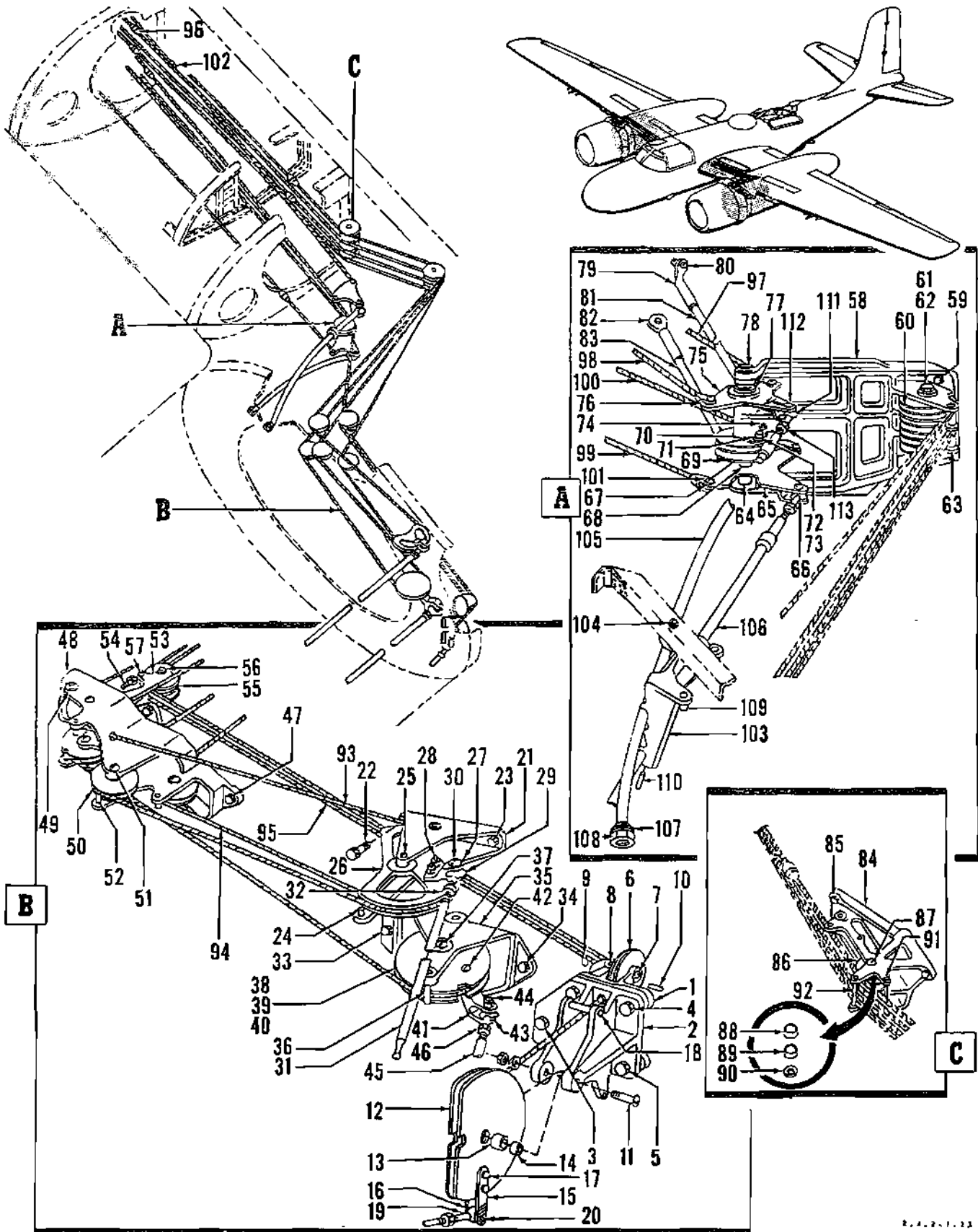


Figure 21. Wing, Engine and Propeller LH Control Installation

2-1-2-1-23

FIGURE & INDEX NO.	PART NO.	DESCRIPTION						UNITS PER ASSY	USABLE ON CODE
		1	2	3	4	5	6		
21-	5208876	CONTROL INSTL, Wing, engine and propeller LH (see figure 2)						Ref	A
	5208779	CONTROL INSTL, Firewall engine LH						1	A
-1	4205179	SUPPORT, Propeller pitch control cable pulley LH						1	A
-2	4205173	SUPPORT, Propeller pitch control cable (ATTACHING PARTS)						1	A
-3	AN3-6A	BOLT						1	A
	AN960D10	WASHER						1	A
	AN365-1032	NUT						1	A
-4	AN3-10A	BOLT						2	A
	AN960D10	WASHER						2	A
	AN365-1032	NUT						2	A
-5	AN3-11A	BOLT						2	A
	AN960D10	WASHER						2	A
	AN365-1032	NUT						2	A
-6	AN210-2A	PULLEY						4	A
-7	AN23-19	BOLT						2	A
	AN960D10	WASHER						2	A
	AN320-3	NUT						2	A
-8	AN23-24	BOLT						1	A
	AN960D10	WASHER						1	A
	AN320-3	NUT						1	A
-9	143358-104	PIN, Pulley guard						2	A
-10	NAS427K12	PIN (formerly 143358-024)						1	A
	4205165	DRUM ASSY, Propeller pitch control (ATTACHING PARTS)						1	A
-11	AN23-22	BOLT						1	A
	AN960D10	WASHER						1	A
	AN320-3	NUT						1	A
	4205167	DRUM ASSY, Propeller pitch control pulley						1	A
-12	4205167-2	DRUM						1	A
-13	1128702	BUSHING, Knurled bearing retainer						1	A
-14	AN207D3	BEARING						1	A
-15	1205164	ARM, Propeller pitch cable drum serrated						1	A
-16	1205163	ARM, Propeller pitch cable drum (ATTACHING PARTS)						1	A
-17	AN3-7A	BOLT						2	A
	AN960-10L	WASHER						2	A
	AN365-1032	NUT						2	A
-18	143358-031	PIN, Pulley guard						2	A
-19	REB3N	END, Rod (FAP) (ATTACHING PARTS)						1	A
-20	AN23-16	BOLT						1	A
	AN960D10	WASHER						1	A
	AN320-3	NUT						1	A
-21	5195407	BRACKET ASSY, Firewall mixture control LH (ATTACHING PARTS)						1	A
-22	AN3-10A	BOLT						2	A
	AN960D10	WASHER						2	A
	AN364-1032	NUT						2	A
-23	AN3-7A	BOLT						1	A
	AN960D10	WASHER						1	A
	AN364-1032	NUT						1	A
-24	143358-102	PIN, Pulley guard						1	A
	4195207	CRANK ASSY, Firewall mixture control LH (ATTACHING PARTS)						1	A
-25	AN23-26	BOLT						1	A
	AN960D10	WASHER						1	A
	AN320-3	NUT						1	A
-26	4195207-2	DRUM						1	A
-27	1194852	ARM, Firewall mixture control LH (ATTACHING PARTS)						1	A
-28	AN507-1032-14	SCREW						2	A
	AN960D10	WASHER						2	A
	AN365-1032	NUT						2	A
-29	REB3N	END, Rod (FAP) (ATTACHING PARTS)						1	A
-30	AN23-17	BOLT						1	A
	AN960D10	WASHER						1	A
	AN320-3	NUT						1	A
-31	2062682A704W	ROD ASSY, Quick disconnect						1	A
-32	AN316-4R	NUT						1	A
	5208187	SUPPORT ASSY, Throttle bellcrank LH (ATTACHING PARTS)						1	A
-33	AN3-7A	BOLT						2	A
	AN960D10	WASHER						2	A
	AN364-1032	NUT						2	A
-34	AN507-1032-14	SCREW						1	A

Section II

T.O. 1B-26B-4

Group Assembly Parts List

FIGURE & INDEX NO.	PART NO.	1	2	3	4	5	6	7	DESCRIPTION	UNITS PER ASSY	USABLE ON CODE
21-	AN960D10 AN364-1032								WASHER NUT	1 1	A A
-35	5208187-2								SUPPORT	1	A
-36	146142-187-100 4207954								PIN, Steel cadmium plate DRUM ASSY, Firewall throttle bellcrank LH (ATTACHING PARTS)	2 1	A A
-37	AN23-42 AN960D10 AN320-3								BOLT WASHER NUT	1 1 1	A A A
-38	4207952								DRUM ASSY, Firewall throttle control LH	1	A
-39	4207952-2								DRUM	1	A
-40	1128702								BUSHING, Knurled bearing retainer	1	A
-41	AN207D3 2195069								BEARING ARM, Firewall manifold pressure regulator control (ATTACHING PARTS)	1 1	A A
-42	AN24-13A AN960D416 AN364-428								BOLT WASHER NUT	2 2 2	A A A
-43	REB3N								END, Rod (EAP) (ATTACHING PARTS)	1	A
-44	AN23-16 AN960D10 AN320-3								BOLT WASHER NUT	1 1 1	A A A
-45	2062682A906W								ROD ASSY, Quick disconnect	1	A
-46	AN316-4R 5208151								NUT BRACKET ASSY, Firewall engine control LH (ATTACHING PARTS)	1 1	A A
-47	AN3-7A AN960D10 AN364-1032								BOLT WASHER NUT	3 3 3	A A A
-48	5208151-2								BRACKET	1	A
-49	146142-187-100								PIN, Steel cadmium plate	4	A
-50	AN210-2A								PULLEY	4	A
-51	AN23-26 AN960D10 AN320-3								BOLT WASHER NUT	4 4 4	A A A
-52	NAS427K16								PIN (formerly 143358-100)	4	A
-53	4205155								BRACKET, Firewall propeller pitch control LH (ATTACHING PARTS)	1	A
-54	AN3-6A AN960D10 AN365-1032								BOLT WASHER NUT	4 4 4	A A A
-55	AN210-2A								PULLEY	2	A
-56	AN23-24 AN960D10 AN320-3								BOLT WASHER NUT	1 1 1	A A A
-57	143358-104 5208575								PIN, Pulley guard CONTROL INSTL, Engine and propeller LH	1 1	A A
-58	5208946								BRACKET, Engine and propeller LH (ATTACHING PARTS)	1	A
-59	AN3-10A AN960D10 AN365-1032								BOLT WASHER NUT	2 2 2	A A A
-60	AN210-2A								PULLEY	4	A
-61	AN3-7 AN310-3								BOLT NUT	1 1	A A
-62	NAS43DD3-14								SPACER (formerly 117425-3D007)	2	A
-63	143358-218								PIN, Pulley guard	2	A
-64	NAS43DD3-32								SPACER (formerly 117425-3D016)	1	A
-65	4128124								BELLCRANK ASSY, Supercharger blower LH	1	A
-66	1125564								BUSHING, Engine control bellcrank	1	A
-67	131736-3S003								BUSHING, Plain sleeve steel	2	A
-68	2276334								BUSHING, Wing sta 85 supercharger blower bellcrank	1	A
-69	AN210-2A								PULLEY	2	A
-70	2276402								GUARD, Wing sta 85 propeller pitch control pulley	2	A
-71	2276403								ANGLE, Wing sta 85 propeller pitch control pulley guard	1	A
-72	AN3-11A AN960D10 AN365-1032								BOLT WASHER NUT	2 2 2	A A A
-73	NAS43DD3-42								SPACER (formerly 117425-3D021)	2	A
-74	AN3-5A AN960D10 AN365-1032								BOLT WASHER NUT	1 1 1	A A A
-75	4128122								BELLCRANK ASSY, Carburetor air LH	1	A
-76	131736-3S003								BUSHING, Plain sleeve steel	2	A
-77	2276333								BUSHING, Wing sta 85 carburetor air bellcrank	1	A
-78	AN3-65 AN960-10 AN320-3								BOLT WASHER NUT	1 1 1	A A A

FIGURE & INDEX NO.	PART NO.	DESCRIPTION							UNITS PER ASSY	USABLE ON CODE
		1	2	3	4	5	6	7		
21-79	1127730								1	A
									1	A
									1	A
									1	A
-80	AN3-7								1	A
	AN960D10								1	A
	AN310-3								1	A
									1	A
-81	1208941-500								1	A
-82	1127731								1	A
-83	1208941-502								1	A
	5128618								1	A
	5128657								1	A
-84									1	A
									1	A
									1	A
									1	A
-85	AN4-11A								2	A
	AN960D416								2	A
	AN365-428								2	A
	AN4-12A								1	A
	AN960D416								1	A
	AN365-428								1	A
									1	A
-86	AN215-2A								4	A
-87	AN23-42								1	A
	AN960D10								1	A
	AN320-3								1	A
	1074744-3D516								1	A
-88	1074744-3D1-51								1	A
-89	1074744-5D297								1	A
-90	NAS427K36								1	A
-91	143355-207								1	A
-92	4154040-24								1	A
-93	4154040-32								1	A
-94	4154040-34								1	A
-95	AN155-16L								6	A
-96	2074407-16-3-4424								1	A
-97	2074407-16-3-2806								1	A
-98	2074407-16-3-3030								1	A
-99	2074407-16-3-3050								1	A
-100	AN23-6								4	A
-101	AN320-3								4	A
-102	AN155-168								6	A
	5208576								1	A
	5128519								1	A
-103									1	A
-104	AN2-7								3	A
	AN960D10								3	A
	AN310-3								3	A
-105	B1139-1L								1	A
-106	B1130-1L								1	A
-107	AN960-1416								4	A
-108	AN316-14R								2	A
-109	NAS427K16								1	A
-110	143355-221								1	A
-111	REB3N								2	A
-112	AN23-16								2	A
	AN960D10								2	A
	AN320-3								2	A
-113	AN316-4R								2	A
									2	A

A USA F 41-39500 thru 41-39596
44-34098 thru 44-35996

Section II
Group Assembly Parts List

T.O. 1B-26B-4

WING

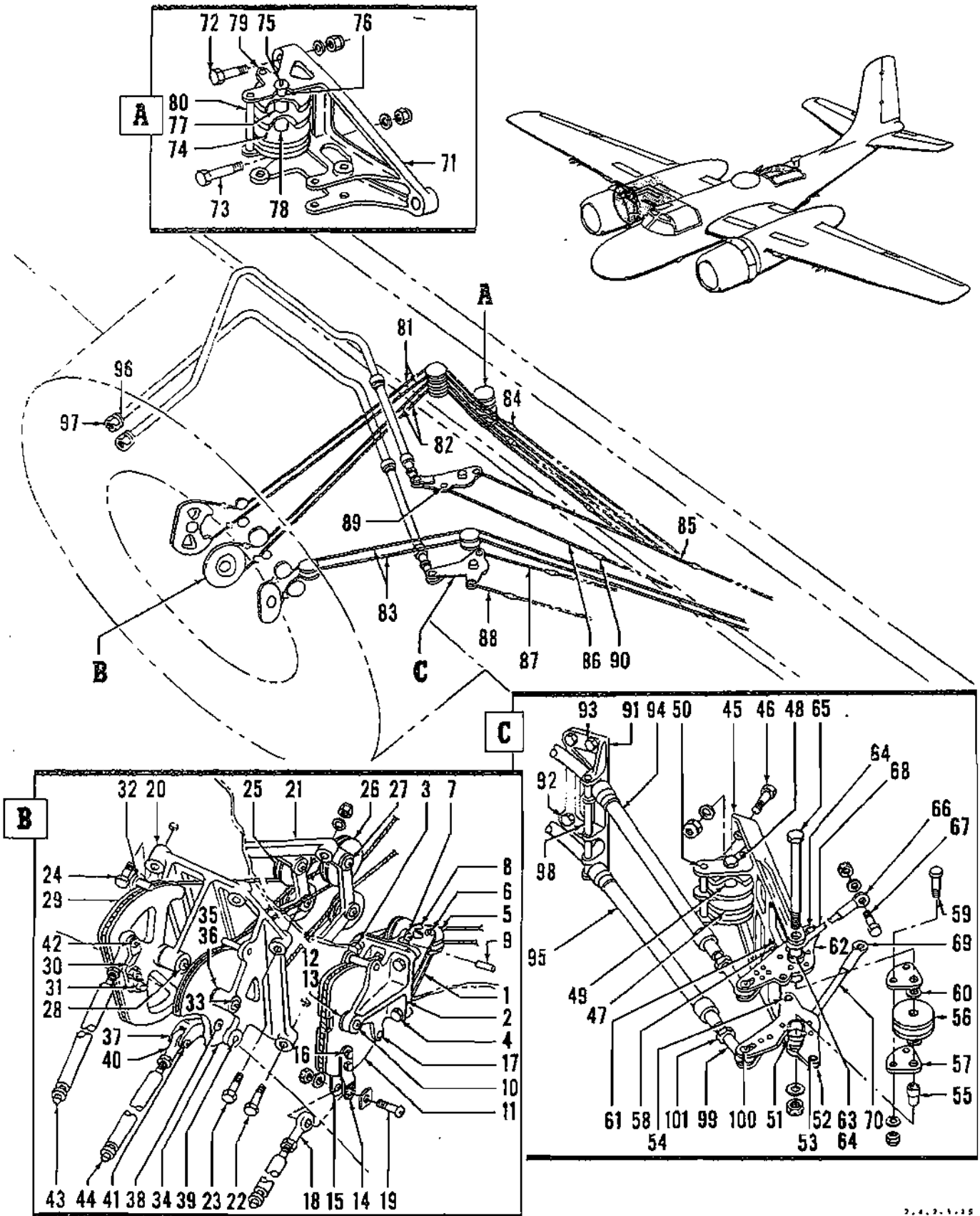


Figure 22. Wing, Engine and Propeller RH Control Installation

FIGURE & INDEX NO.	PART NO.	1	2	3	4	5	6	7	DESCRIPTION	UNITS PER ASSY	USABLE ON CODE
22-	5208875	CONTROL INSTL, Wing, engine and propeller RH (see figure 2)							Ref	A	
	5208578	CONTROLS INSTL, Firewall, engine and carburetor air RH							1	A	
-1	4205178	SUPPORT, Propeller pitch control cable pulley RH							1	A	
-2	4205173	SUPPORT, Propeller pitch control cable							1	A	
		(ATTACHING PARTS)									
-3	AN3-10	BOLT							2	A	
	AN960-10	WASHER							2	A	
	AN365-1032	NUT							2	A	
-4	AN3-11	BOLT							2	A	
	AN960-10	WASHER							2	A	
	AN365-1032	NUT							2	A	
-5	AN210-2A	PULLEY							4	A	
-6	AN23-24	BOLT							1	A	
	AN960-10	WASHER							1	A	
	AN320-3	NUT							1	A	
-7	AN23-19	BOLT							2	A	
	AN960-10	WASHER							2	A	
	AN320-3	NUT							2	A	
-8	NAS427K13	PIN (formerly 143358-026)							1	A	
-9	143358-104	PIN, Pulley guard							1	A	
	4205165	DRUM ASSY, Propeller pitch control							1	A	
		(ATTACHING PARTS)									
-10	AN23-22	BOLT							1	A	
	AN960-10	WASHER							1	A	
	AN320-3	NUT							1	A	
	4205167	DRUM ASSY, Propeller pitch control pulley							1	A	
-11	4205167-2	DRUM							1	A	
-12	1126702	BUSHING, Knurled bearing retainer							1	A	
-13	AN207D3	BEARING							1	A	
-14	1205164	ARM, Propeller pitch cable drum serrated							1	A	
-15	1205163	ARM, Propeller pitch cable drum							1	A	
		(ATTACHING PARTS)									
-16	AN3-7A	BOLT							2	A	
	AN960-10L	WASHER							2	A	
	AN365-1032	NUT							2	A	
-17	143358-031	PIN, Pulley guard							2	A	
-18	REB3N	END, Rod (RAF)							1	A	
		(ATTACHING PARTS)									
-19	AN23-16	BOLT							1	A	
	1205638	WASHER, Serrated throttle bellcrank LH							1	A	
	AN960-10	WASHER							1	A	
	AN310-3	NUT							1	A	
-20	5195452	BRACKET, Firewall manifold pressure regulator and mixture control RH							1	A	
-21	5195453	BRACKET ASSY, Firewall engine control pulley RH							1	A	
		(ATTACHING PARTS)									
-22	AN4-17A	BOLT							1	A	
	AN960D416	WASHER							1	A	
	AN365-428	NUT							1	A	
-23	AN4-14A	BOLT							2	A	
	AN960D416	WASHER							2	A	
	AN365-428	NUT							2	A	
-24	AN4-12A	BOLT							2	A	
	AN960D416	WASHER							2	A	
	AN365-428	NUT							2	A	
-25	AN210-1A	PULLEY							3	A	
-26	AN210-2A	PULLEY							1	A	
-27	AN23-19	BOLT							4	A	
	AN960D10	WASHER							4	A	
	AN320-3	NUT							4	A	
	4298896	CRANK ASSY, Firewall mixture control RH (formerly 4195247)							1	A	
		(ATTACHING PARTS)									
-28	AN23-29	BOLT							1	A	
	AN960D10	WASHER							1	A	
	AN320-3	NUT							1	A	
-29	4195247-2	DRUM							1	A	
-30	2195069	ARM, Firewall manifold pressure regulator control RH							1	A	
		(ATTACHING PARTS)									
-31	AN23-13A	BOLT							2	A	
	AN960D10	WASHER							2	A	
	AN364-1032	NUT							2	A	
-32	NAS427K10	PIN (formerly 143358-020)							2	A	
	4195248	CRANK ASSY, Firewall manifold pressure regulator control RH							1	A	
		(ATTACHING PARTS)									
-33	AN23-40	BOLT							1	A	
	AN960D10	WASHER							1	A	
	AN320-3	NUT							1	A	

Group Assembly Parts List

FIGURE & INDEX NO.	PART NO.	DESCRIPTION							UNITS PER ASSY	USABLE ON CODE
		1	2	3	4	5	6	7		
22-	4195249								1	A
-34	4195249-2								1	A
-35	1128702								1	A
-36	AN207D3								1	A
-37	219E069								1	A
-38	AN34-15A								2	A
	AN960D416								2	A
	AN365-428								2	A
-39	NAS412N10								2	A
-40	ROBIN								2	A
-41	AN23-16								1	A
	AN960D10								1	A
	AN320-3								1	A
-42	AN23-16								1	A
	AN960D10								1	A
	AN320-3								1	A
-43	2062641-612A								1	A
-44	206241-1000A								1	A
	5208575-1								1	A
-45	5208546-1								1	A
-46	AN3-10A								2	A
	AN960D10								2	A
	AN365-1032								2	A
-47	AN210-2A								4	A
-48	AN8-27								1	A
	AN310-5								1	A
-49	NAS43DD3-14								1	A
-50	143358-218								2	A
-51	NAS43DD3-32								1	A
-52	4128124-1								1	A
-53	1125564								1	A
-54	151736-3S003								2	A
-55	2175334								1	A
-56	AN210-2A								2	A
-57	1176402								2	A
-58	2276403								3	A
-59	AN3-11A								2	A
	AN960D10								2	A
	AN365-1032								2	A
-60	NAS43DD3-42								2	A
-61	AN3-5A								1	A
	AN960D10								1	A
	AN365-1032								1	A
-62	4128121								1	A
-63	151736-3S003								2	A
-64	3276333								1	A
-65	AN3-65								1	A
	AN960-10								1	A
	AN320-3								1	A
-66	1127730								1	A
-67	AN3-7								1	A
	AN960D10								1	A
	AN310-5								1	A
-68	1208941-500								1	A
-69	1127731								1	A
-70	1208941-502								1	A
	5128635-1								1	A
-71	5128637-1								1	A
-72	AN4-11A								2	A
	AN960D416								2	A
	AN365-428								2	A
-73	AN4-12A								1	A
	AN960D416								1	A
	AN365-428								1	A
-74	AN210-2A								4	A
-75	AN23-42								1	A
	AN960D10								1	A
	AN320-3								1	A
-76	1074744-3D156								1	A
-77	1074744-3D141								1	A
-78	1074744-3D297								1	A
-79	NAS427K36								1	A
-80	143358-207								1	A
-81	4154040-20								1	A

FIGURE & INDEX NO.	PART NO.	DESCRIPTION							UNITS PER ASSY	USABLE ON CODE
		1	2	3	4	5	6	7		
22-82	4154040-22								1	A
-83	4154040-36								1	A
-84	AN151-16L								6	A
-85	2674407-16-S-2828								1	A
-85	2674407-16-S-2828								1	A
-87	2674407-16-S-2824								1	A
-88	2674407-16-S-2830								1	A
-89	AN35-9								4	A
	AN320-3								4	A
-90	AN155-16B								6	A
	2308577								1	A
-91	4128298								1	A
-92	AN3-14A								1	A
-93	AN3-14A								2	A
	AN260D10								2	A
	AN36-1032								2	A
-94	B1129-1R								1	A
-95	B1130-1R								1	A
-96	AN960-1416								4	A
-97	AN316-14R								2	A
-98	145558-424								1	A
-99	REB3N								2	A
-100	AN35-16								2	A
	AN260D10								2	A
	AN320-3								2	A
-101	AN316-4R								2	A
		A USAF 41-39500 thru 41-39599 44-24098 thru 44-35996								

Section II
Group Assembly Parts List

T.O. 1B-26B-4

WING

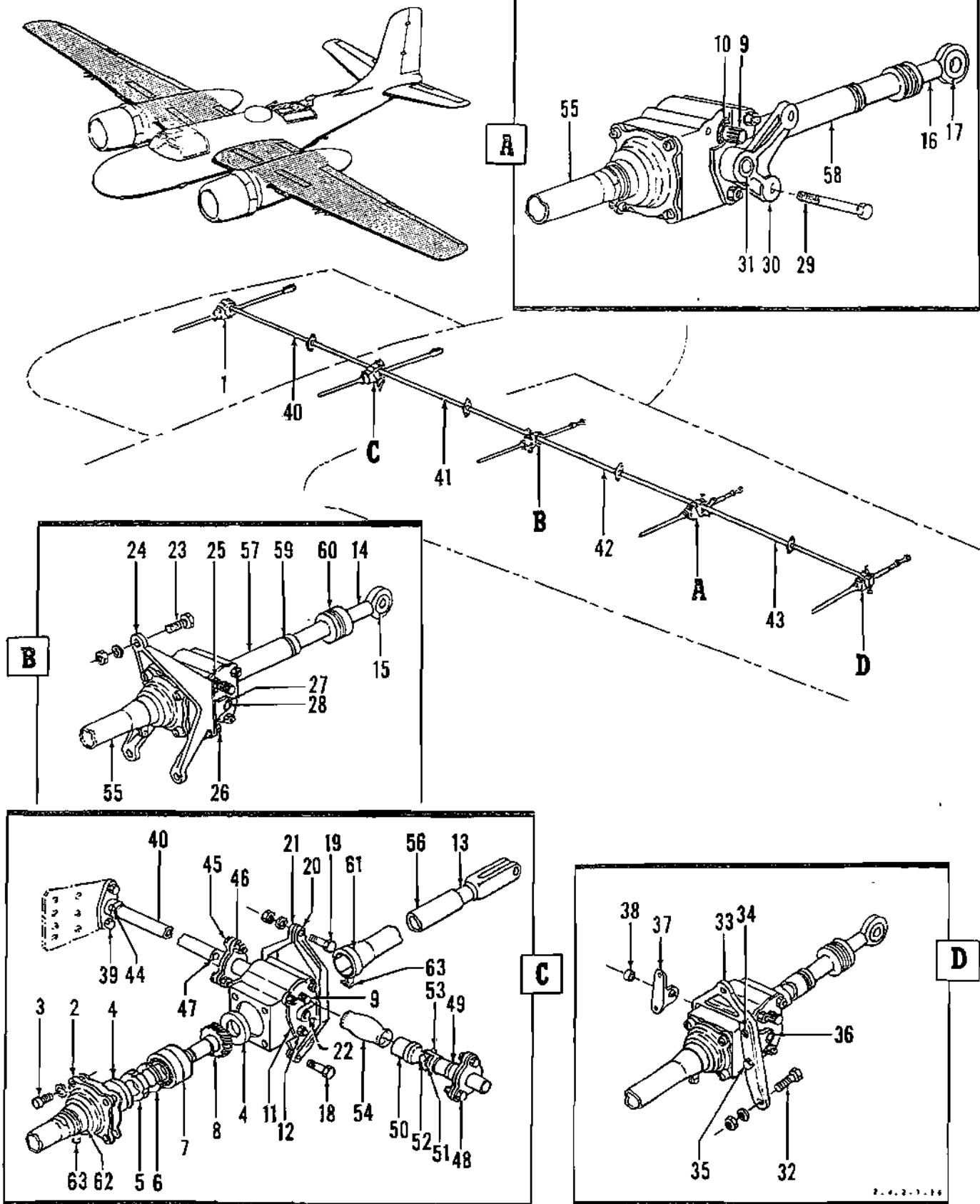


Figure 23. Wing Flap Operating LH and RH Mechanism Installation

FIGURE & INDEX NO.	PART NO.	1 2 3 4 5 6 7	DESCRIPTION	UNITS PER ASSY	USABLE ON CODE
23-	5122102		MECHANISM, INSTL, Wing flap operating LH (see figure 2)	Ref	
	5122102-1		MECHANISM, INSTL, Wing flap operating RH (see figure 2)	Ref	
	5191907-4		BOX ASSY, Wing flap gear sta 33 and 81	2	
	5191907-6		BOX ASSY, Wing flap gear sta 143 and 269	2	
	5191907-2		BOX ASSY, Wing flap gear sta 203	1	
-1	4128209		HOUSING, Wing flap gear box	1	
-2	2155363		CAP, Wing flap gear box	1	
	1128741		GASKET, Wing flap gear box cap (ATTACHING PARTS)	1	
-3	AN502-10-12		SCREW	4	
	AN960D10		WASHER	4	
-4	13722		RETAINER, Oil (CHI)	2	
-5	NO4		NUT, Lock (MRC)	5	
-6	WO4		WASHER, Lock (MRC)	1	
-7	7204DB		BEARING, Ball; type 10 (FAF)	2	
-8	2129652		WHEEL, Wing flap gear box worm	1	
-9	2126860		WORM, Wing flap gear box	1	
-10	T77039		BEARING, Ball; (TOR)	2	
-11	2126832		PLATE, Wing flap gear box side	2	
	1128742		GASKET, Wing flap gear box side plate (ATTACHING PARTS)	2	
-12	AN3-24A		BOLT	3	
	AN960-10L		WASHER	3	
	AN364-4032		NUT	3	
-13	2126835		SCREW ASSY, Inboard wing flap gear box (used on 5191907-4)	2	
-14	2126834		SCREW ASSY, Outboard wing flap end gear box (used on 5191907-6)	2	
-15	RBC5		BEARING, Needle (RBC)	1	
-16	2126862		SCREW ASSY, Outboard wing flap center gear box (used on 5191907-2)	1	
-17	RBC8		BEARING, Needle (RBC)	1	
	2126844		SUPPORT ASSY, Inboard wing flap gear box LH	2	
	2126844-1		SUPPORT ASSY, Inboard wing flap gear box RH (ATTACHING PARTS)	2	
-18	AN4-14A		BOLT	1	
	AN960D416		WASHER	1	
	AN365-428		NUT	1	
-19	AN4-23A		BOLT	2	
	AN960D416		WASHER	2	
	AN365-428		NUT	2	
-20	2126844-2		SUPPORT, LH	1	
-21	2126844-3		SUPPORT, RH	1	
-22	1193805		BUSHING, Wing flap gear box support	1	
	2126769		SUPPORT ASSY, Wing sta 144 outboard flap gear box LH	1	
	2126769-1		SUPPORT ASSY, Wing sta 144 outboard flap gear box RH (ATTACHING PARTS)	1	
-23	AN4-11A		BOLT	3	
	AN960D416		WASHER	3	
	AN365-428		NUT	3	
-24	2126767		SUPPORT, Wing sta 144 outboard flap gear box LH	1	
	2126767-1		SUPPORT, Wing sta 144 outboard flap gear box RH	1	
	1127747		CLIP ASSY, Wing sta 144 outboard flap gear box support (ATTACHING PARTS)	2	
-25	AN509-416R15		SCREW (formerly 1029421-416-16)	2	
	AN960D416		WASHER	2	
	AN365-428		NUT	2	
-26	AN4-7A		BOLT	2	
	AN960D416		WASHER	2	
	AN365-428		NUT	2	
-27	1127747-2		CLIP	1	
-28	1193805		BUSHING, Wing flap gear box support	1	
	2129150		SUPPORT ASSY, Wing sta 204 outboard flap gear box LH	1	
	2129150-1		SUPPORT ASSY, Wing sta 204 outboard flap gear box RH (ATTACHING PARTS)	1	
-29	AN4-52A		BOLT	2	
	AN960D416		WASHER	2	
	AN365-428		NUT	2	
-30	2129150-2		SUPPORT, LH	1	
	2129150-3		SUPPORT, RH	1	
-31	1193805		BUSHING, Wing flap gear box support	1	
	2126768		SUPPORT ASSY, Wing sta 271 outboard flap gear box LH	1	
	2126768-1		SUPPORT ASSY, Wing sta 271 outboard flap gear box RH	1	

Section II
Group Assembly Parts List

T.O. 1B-26B-4

FIGURE & INDEX NO.	PART NO.	1	2	3	4	5	6	7	DESCRIPTION	UNITS PER ASSY	USABLE ON CODE
23-32	AN4-11A AN950D416 AN355-428								(ATTACHING PARTS) BOLT WASHER NUT	3 3 3	
-33	2126755 2125755-1 1127746 1127746-1								SUPPORT, Wing sta 271 outboard flap gear box LH SUPPORT, Wing sta 271 outboard flap gear box RH CLIP ASSY, Wing sta 271 outboard flap gear box support LH CLIP ASSY, Wing sta 271 outboard flap gear box support RH (ATTACHING PARTS)	1 1 1 1	
-34	AN34-11A AN950D416L AN355-428								BOLT WASHER NUT	2 2 2	
-35	AN4-5A AN560C416 AN355-428								BOLT WASHER NUT	2 2 2	
-36	1127746-2								CLIP, LH	1	
-37	1127746-3								CLIP, RH	1	
-38	1193403 2129173 2129176 2193762 2193764								BUSHING, Wing flap gear box support TUBE ASSY, Wing sta 84 to 81 flap operating torque TUBE ASSY, Wing sta 84 to 141 flap operating torque TUBE ASSY, Wing sta 144 to 204 flap operating torque TUBE ASSY, Wing sta 204 to 259 flap operating torque (ATTACHING PARTS)	1 1 1 1 1	
-39	AN3-7A AN960D10 AN364-1032								BOLT WASHER NUT	2 2 2	
-40	2129173-2								TUBE (Used on 2129173)	1	
-41	2129176-2								TUBE (Used on 2129176)	1	
-42	2193762-2								TUBE (Used on 2193762)	1	
-43	2193764-2								TUBE (Used on 2193764)	1	
-44	AN355H10P10 1143552								PIN (formerly 1004340-6) DISCONNECT ASSY, Wing flap operating torque sta 204 (ATTACHING PARTS)	4 3	
-45	AN4-6A AN355-428								BOLT NUT	3 3	
-46	1143652-2								DISCONNECT	1	
-47	146142-081-016 1194867								PIN JOINT ASSY, Flap operating small torque tube welded (ATTACHING PARTS)	1 1	
-48	AN4-5A AN365-428								BOLT NUT	3 3	
-49	2277110								HUB ASSY, Wing flap universal joint	1	
-50	2277109								HUB ASSY, Wing flap universal joint welded	1	
-51	AS013								BLOCK (MEMA)	1	
-52	AS014								OIL PIN (MEMA)	1	
-53	AS015								PIN (MEMA)	1	
-54	1151514								BOOT ASSY, Wing flap universal joint	1	
-55	2190955								SHROUD, Wing flap gear box forward	5	
-56	2151948								SHROUD, Wing flap gear box inboard screw	2	
-57	2192073-6 2192073-8 2192075-10 2192075-12								SHROUD, Flap screw outer SHROUD, Flap screw outer SHROUD, Flap screw inner SHROUD, Flap screw inner	3 3 3 3	
-58	1159941 1159942								SPRING, Flap screw inner shroud lock SPRING, Flap screw outer shroud lock	6 3	
-59	AN735-16								CLAMP	5	
-60	AN735-18								CLAMP	5	
-61	AN515-8-10 AN365-832								(ATTACHING PARTS) SCREW NUT	1 1	

WING

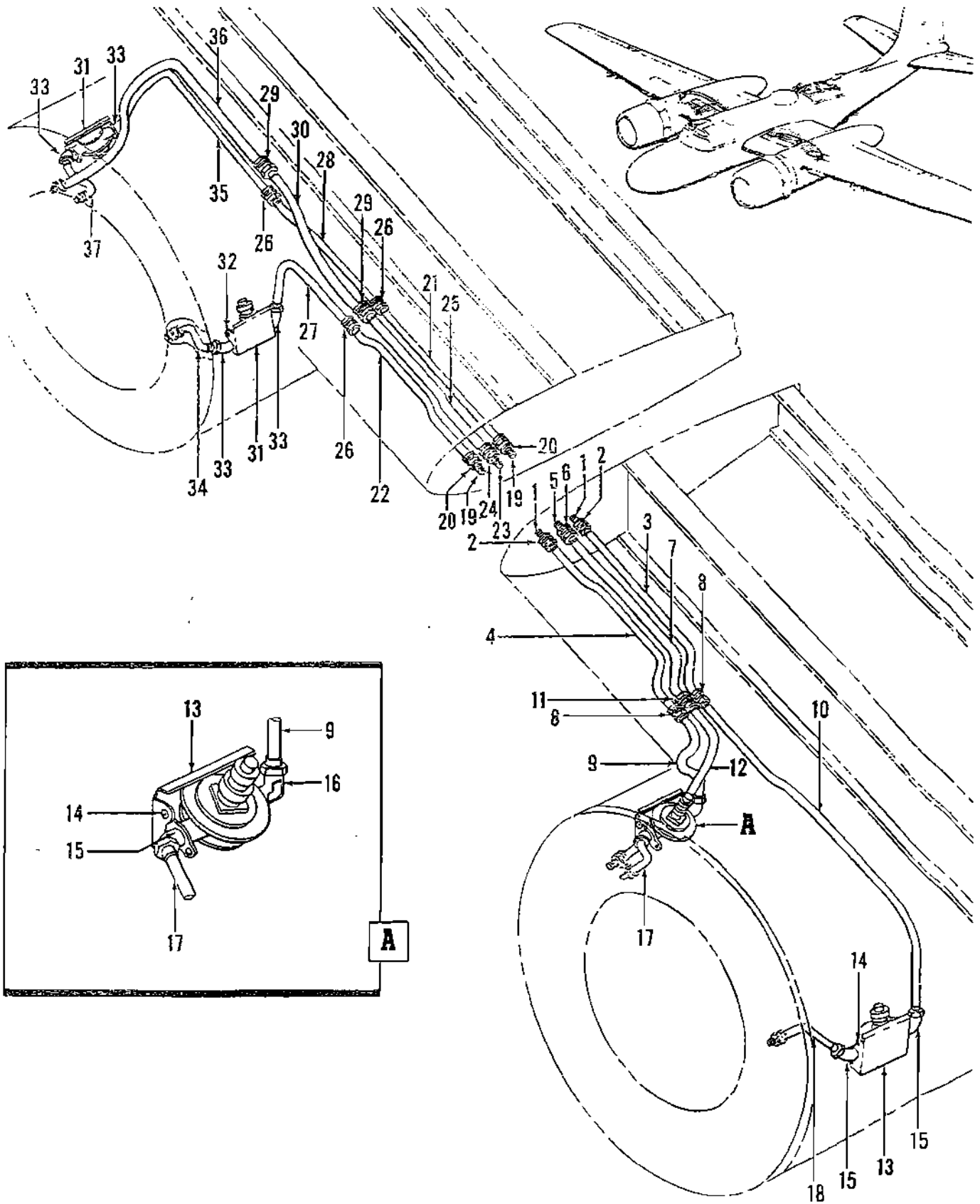


Figure 24. Fuel System Wing LH and RH Heat and Vent Installation

Section II
Group Assembly Parts List

T.O. 1B-26B-4

FIGURE & INDEX NO.	PART NO.	1	2	3	4	5	6	7	DESCRIPTION	UNITS PER ASSY	USABLE ON CODE
24-	5153108	HEAT AND VENT FUEL SYSTEM INSTL, Wing LH							Ref	A	
		(see figure 2)									
-1	AN832-12D								UNION	2	A
-2	AN924-12D								NUT	2	A
-3	2193752-2								LINE	1	A
-4	2193752-4								LINE	1	A
-5	2205360								UNION	1	A
-6	1205540								NUT	1	A
-7	2193752-6								LINE	1	A
-8	AN815-12D								UNION	2	A
-9	4191587-4								LINE	1	A
-10	4191587-6								LINE	1	A
-11	2205535								UNION	1	A
-12	4191587-10								LINE	1	A
-13	4155721								VALVE ASSY	2	A
		(ATTACHING PARTS)									
-14	AN520-416-10								SCREW	8	A
	AN365-428								NUT	8	A
-15	AN823-12D								ELBOW	3	A
-16	AN822-12D								ELBOW	1	A
-17	4191587-2								LINE	1	A
-18	4191587-8								LINE	1	A
	5153106	HEAT AND VENT FUEL SYSTEM INSTL, Wing							Ref	A	
		RH (see figure 2)									
-19	AN832-12D								UNION	2	A
-20	AN924-12D								NUT	2	A
-21	2193751-2								LINE	1	A
-22	2193751-4								LINE	1	A
-23	2205360								UNION	1	A
-24	1205540								NUT	1	A
-25	2193751-6								LINE	1	A
-26	AN815-12D								UNION	3	A
-27	4191587-18								LINE	1	A
-28	4191587-20								LINE	1	A
-29	2205535								UNION	2	A
-30	4191587-24								LINE	1	A
-31	4155721								VALVE ASSY	2	A
		(ATTACHING PARTS)									
-32	AN520-416-10								SCREW	8	A
	AN365-428								NUT	8	A
-33	AN823-12D								ELBOW	4	A
-34	4191587-16								LINE	1	A
-35	4191587-14								LINE	1	A
-36	4191587-22								LINE	1	A
-37	4191587-12								LINE	1	A
		A USAF 41-39100 thru 41-39599									
		43-22252 thru 43-22751									

WING

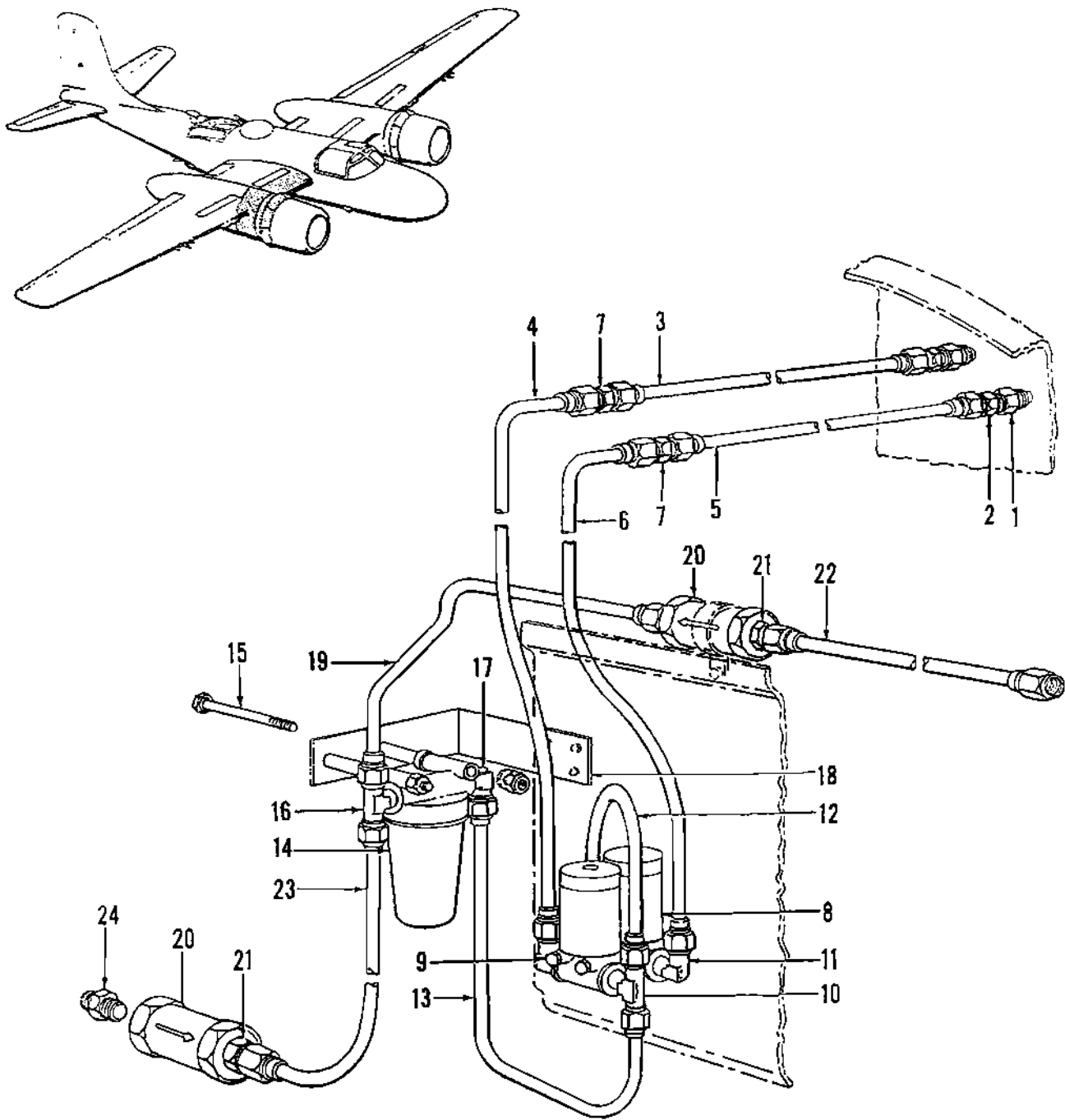


Figure 25., Wing Heat and Vent Fuel System Installation

Section II
Group Assembly Parts List

T.O. 1B-26B-4

FIGURE & INDEX NO.	PART NO.	1	2	3	4	5	6	7	DESCRIPTION	UNITS PER ASSY	USABLE ON CODE
25-	5008272	FUEL SYSTEM INSTL. Wing heat and vent (see figure 2)							Ref	A	
-1	AN322-4D	UNION							2	A	
-2	AN322-4D	NUT							2	A	
-3	5208241-516	PIPING ASSY, Heater fuel							1	A	
-4	5208241-514	PIPING ASSY, Heater fuel							1	A	
-5	5208241-513	PIPING ASSY, Heater fuel							1	A	
-6	5208241-512	PIPING ASSY, Heater fuel							1	A	
-7	AN315-4D	UNION							2	A	
-8	11277-26	VALVE ASSY, Solenoid shutoff (AP) (ATTACHING PARTS)							2	A	
-9	AN322-4A	BOLT							2	A	
	AN322-10	WASHER							2	A	
	AN322-1032	NUT							2	A	
-10	AN315-4D	TEE							1	A	
-11	AN315-4D	ELBOW							3	A	
-12	5208241-510	PIPING ASSY, Heater fuel							1	A	
-13	5208241-510	PIPING ASSY, Heater fuel							1	A	
-14	11332	FILTER ASSY, Micronic midjet (AP) (ATTACHING PARTS)							1	A	
-15	AN3-2FA	BOLT							2	A	
	2032900-5D049-104	TUBE, 24 ST aluminum alloy							2	A	
	AN322-10	WASHER							2	A	
	AN322-1032	NUT							2	A	
-16	AN315-4D	TEE							1	A	
-17	AN322-4D	ELBOW							1	A	
-18	22759-1	SUPPORT, Heat and vent fuel filter							1	A	
-19	5208241-506	LINE ASSY, Heater fuel							1	A	
-20	5208241-50	VALVE ASSY, Swing check (PA)							2	A	
-21	AN316-4D	NIPPLE							3	A	
-22	5208241-504	PIPING ASSY, Heater fuel							1	A	
-23	5208241-502	PIPING ASSY, Heater fuel							1	A	
-24	AN3-1-1	NIPPLE							1	A	

A USAF 44-34098 thru 44-35996

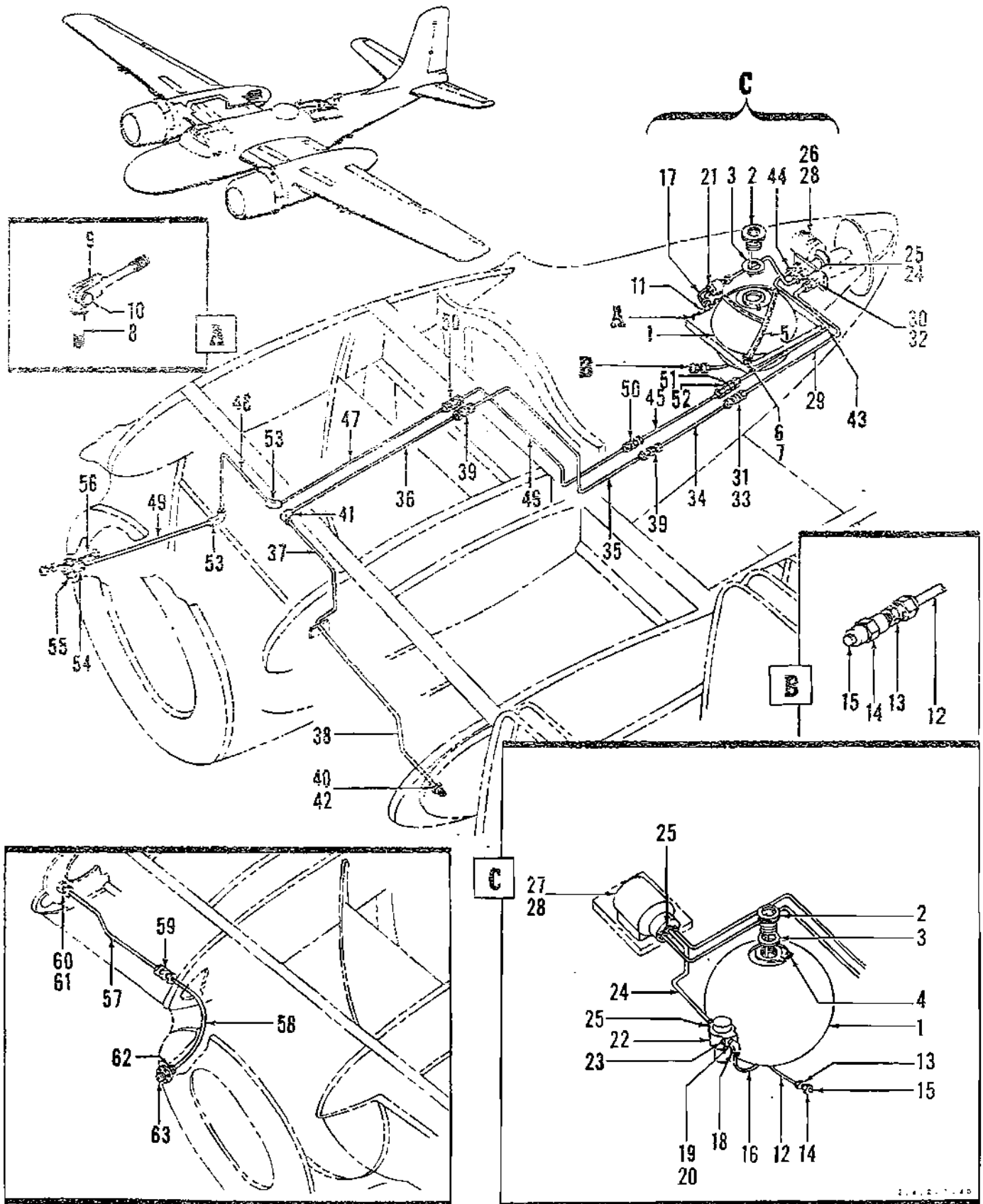


Figure 26. Wing Ice Elimination RH Equipment Installation

Section II
Group Assembly Parts List

T.O. 1B-26B-4

FIGURE & INDEX NO.	PART NO.	DESCRIPTION	UNITS PER ASSY	USABLE ON CODE
26-	5122105	EQUIPMENT INSTL, Wing ice elimination RH (see figure 2)	Ref	
-1	5195500	TANK ASSY, Anti-icing fluid	1	
-2	5195429	SHELL, Anti-icing fluid tank	1	
-3	2195103	CAP ASSY, Anti-icing fluid tank filler neck	1	
-4	1113908-116-128-94	GASKET, External seal ring neoprene	1	
-5	1194973	SPRING, Anti-icing fluid tank cap retaining	1	
-6	4195323	STRAP ASSY, Macalle cone anti-icer tank retaining RH	1	
-7	AN365-1032	(ATTACHING PARTS)		
-8	AN42-4	NUT	3	
-9	AN161-16LS	WASHER	3	
-10	AN393-11	NUT	2	
-11	AN155-16L	BOLT	1	
-12	5194597-58	FORK	1	
-13	AN816-4D	PIN	1	
-14	AN910-1D	BARREL	1	
-15	AN913-1D	LINE ASSY, Anti-icer tank drain	1	
-16	5194597-42	NIPPLE	3	
-17	5194597-72	COUPLING	1	
-18	AN822-4D	PLUG	1	
-19	AN833-4D	LINE ASSY, Propeller anti-icer	1	A
-20	AN6290-4	LINE ASSY, Propeller anti-icer	1	B
-21	AN924-4D	ELBOW	AR	
-22	712-1A	ELBOW	1	B
-23	AN6101-1	GASKET	1	B
-24	AN515-8-28	NUT	1	B
-25	AN960-8	FILTER ASSY, Anti-icer fluid type 712 model 1 (ECP) (formerly H82393) (see T.O. 8D-1-34)	1	A
-26	AN365-832	FILTER ASSY, Fluid metering pump (ATTACHING PARTS)	1	B
-27	5194597-40	SCREW	2	B
-28	5194597-70	WASHER	4	B
-29	AN816-4D	NUT	2	B
-30	AN832-4D	LINE ASSY, Propeller anti-icer	1	A
-31	AN6290-4	LINE ASSY, Propeller anti-icer	1	B
-32	AN924-4D	NIPPLE	2	A
-33	744-4A	UNION	2	B
-34	AN6100-1	GASKET	2	B
-35	AN530-10-12	NUT	2	B
-36	AN515-416-8	PUMP, Anti-icer fluid type 744 model 4 (ECP) (formerly D96679) (see T.O. 8D-1-34)	1	A
-37	AN935-416	PUMP ASSY (ATTACHING PARTS)	1	B
-38	AN960-416	SCREW	4	A
-39	5194597-26	SCREW	4	B
-40	5194597-66	WASHER	4	B
-41	AN816-4D	WASHER	4	B
-42	AN832-4D	LINE ASSY, Propeller anti-icer LH	1	A
-43	AN6290-4	LINE ASSY, Propeller anti-icer LH	1	B
-44	AN924-4D	NIPPLE	1	A
-45	5194597-24	UNION	1	A
-46	5194597-60	GASKET	AR	
-47	5194597-22	GASKET	1	B
-48	5194597-20	NUT	AR	
-49	5194597-18	LINE ASSY, Propeller anti-icer LH	1	
-50	AN815-4D	LINE ASSY, Propeller anti-icer LH	1	
-51	AN832-4D	LINE ASSY, Propeller anti-icer LH	1	
-52	AN821-4D	LINE ASSY, Propeller anti-icer LH	1	
-53	AN924-4D	LINE ASSY, Propeller anti-icer LH	1	
-54	5194597-38	UNION	3	
-55	5194597-68	ELBOW	1	
-56	5194597-68	NUT	1	
-57	AN816-4D	LINE ASSY, Propeller anti-icer RH	1	A
-58	AN832-4D	LINE ASSY, Propeller anti-icer RH	1	B
-59	AN6290-4	NIPPLE	1	A
-60	AN924-4D	UNION	1	A
-61	5194597-36	GASKET	1	B
-62	5194597-62	NUT	1	B
-63	5194597-34	LINE ASSY, Propeller anti-icer RH	1	
-64	5194597-64	LINE ASSY, Propeller anti-icer RH	1	
-65	5194597-32	LINE ASSY, Propeller anti-icer RH	1	
-66	5194597-74	LINE ASSY, Propeller anti-icer RH	1	A
-67	AN815-4D	LINE ASSY, Propeller anti-icer RH	1	B
-68	AN832-4D	UNION	2	
-69	AN924-4D	UNION	1	
-70	AN821-4D	NUT	1	
-71	AN816-4D	ELBOW	1	
-72	1066151	NIPPLE	2	
-73		COUPLING, Bulkhead flange 1/8-in. pipe thread	1	
-74		(ATTACHING PARTS)		
-75	AN515-6-8	SCREW	5	
-76	AN960D6	WASHER	5	
-77	AN365-632	NUT	5	

FIGURE & INDEX NO.	PART NO.	1 2 3 4 5 6 7 DESCRIPTION	UNITS PER ASSY	USABLE ON CODE
26- -57 -58 -59 -60 -61 -62 -63	5122104 5194596-24 5194596-26 AN815-4D AN832-4D AN924-4D AN816-4D 1066151	EQUIPMENT INSTL, Wing ice elimination LH (see figure 2) LINE ASSY, Propeller anti-icer LH LINE ASSY, Propeller anti-icer LH UNION UNION NUT NUT COUPLING, Bulkhead flange 1/8-in. pipe thread	Ref 1 1 1 1 1 1 1	
		A USAF 41-39100 thru 41-39599 B USAF 43-22727 thru 43-22751 43-22252 thru 43-22726 44-34098 thru 44-35996		

Section II
Group Assembly Parts List

T.O. 1B-26B-4

WING

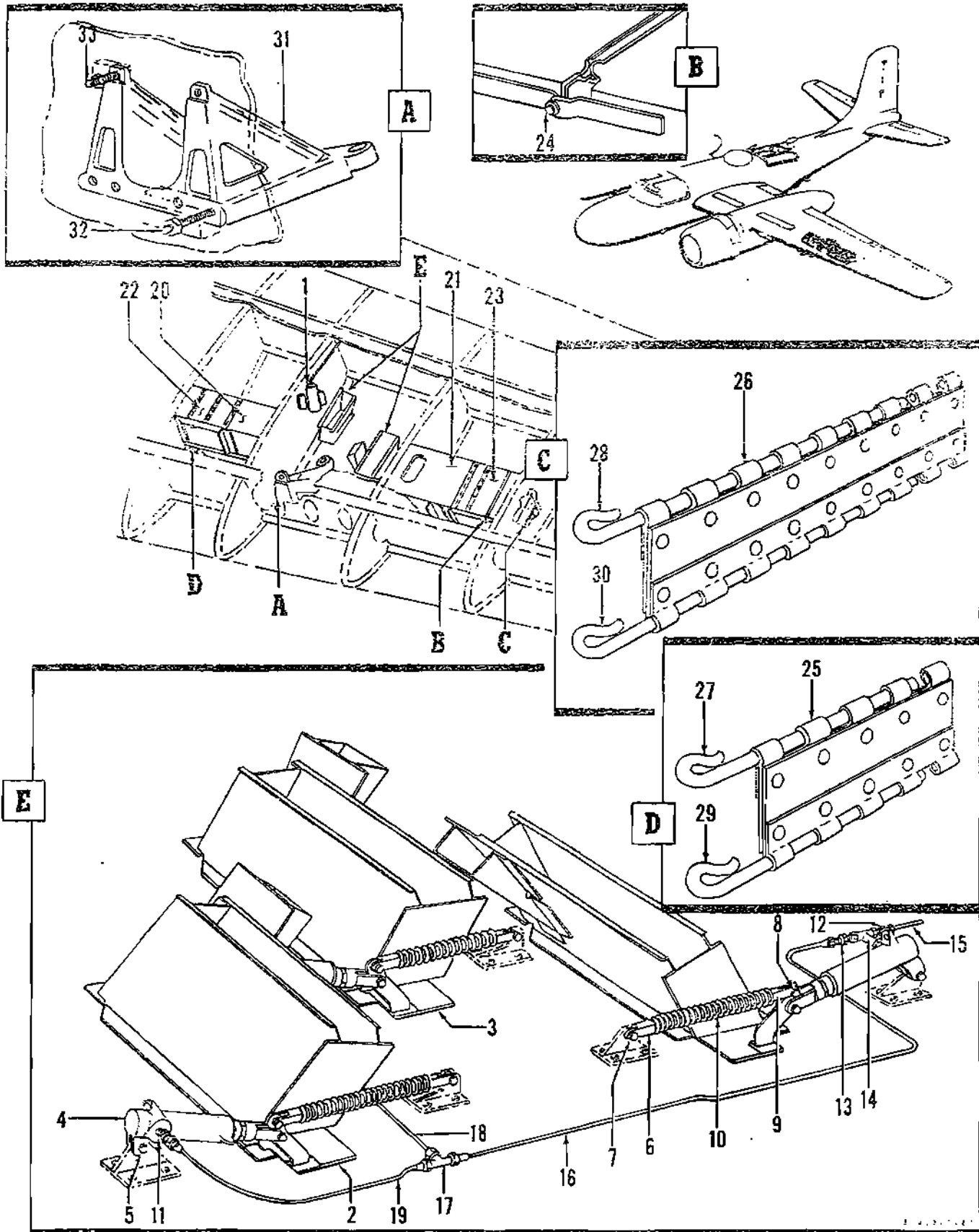


Figure 27. Internal Wing Gun LH and RH Provisions Installation

FIGURE & INDEX NO.	PART NO.	1 2 3 4 5 6 7	DESCRIPTION	UNITS PER ASSY	USABLE ON CODE
27-	5275985		PROVISIONS INSTL, Internal wing gun LH (see figure 2)	Ref	A
	5275985-1		PROVISIONS INSTL, Internal wing gun RH (see figure 2)	Ref	A
-1	5275984		PNEUMATIC SYSTEM INSTL, Wing fixed gun LH (see figure 34)	1	A
	5275984-1		PNEUMATIC SYSTEM INSTL, Wing fixed gun RH (see figure 34)	1	A
	5209605		EJECTION CHUTES, DOORS AND OPERATING MECHANISM INSTL, LH	1	A
	5209605-1		EJECTION CHUTES, DOORS AND OPERATING MECHANISM INSTL, RH	1	A
-2	4209677		DOOR ASSY, Case and clip ejection outboard LH	1	A
	4209677-1		DOOR ASSY, Case and clip ejection outboard RH	1	A
-3	4209566		DOOR ASSY, Case and clip ejection center LH	1	A
	4209566-1		DOOR ASSY, Case and clip ejection center RH	1	A
-4	2275677		CYLINDER ASSY, Link and clip ejection door operating (ATTACHING PARTS)	3	A
-5	AN3-5		BOLT	2	A
	AN320-3		NUT	2	A
-6	2276998		GUIDE ASSY, Case and clip ejection door retracting (ATTACHING PARTS)	3	A
-7	AN393-9		PIN	1	A
	AN960-10		WASHER	2	A
-8	AN393-13		PIN	1	A
	AN960-10		WASHER	2	A
-9	2276999		GUIDE, Case and clip ejection door retracting	3	A
-10	2275763		SPRING, Case and clip ejection door retracting	3	A
-11	AN816-2		NIPPLE	3	A
-12	AN816-3		NIPPLE	1	A
-13	AN911-1		NIPPLE	1	A
-14	AN917-1		TEE	1	A
-15	4276014-506		TUBE ASSY, Pneumatic LH	1	A
	4276014-507		TUBE ASSY, Pneumatic RH	1	A
-16	4276014-504		TUBE ASSY, Pneumatic LH	1	A
	4276014-505		TUBE ASSY, Pneumatic RH	1	A
-17	AN824-2		TEE	1	A
-18	4276014-506		TUBE ASSY, Pneumatic LH	1	A
	4276014-501		TUBE ASSY, Pneumatic RH	1	A
-19	4276014-502		TUBE ASSY, Pneumatic LH	1	A
	4276014-503		TUBE ASSY, Pneumatic LH	1	A
	5209603		SUPPORT INSTL, Internal wing ammunition box LH	1	A
	5209603-1		SUPPORT INSTL, Internal wing ammunition box RH	1	A
-20	5275831		SUPPORT ASSY, Internal wing gun ammunition box inboard	1	A
-21	5275758		SUPPORT ASSY, Internal wing gun ammunition box outboard	1	A
-22	3275079		COVER ASSY, Internal wing gun ammunition box inboard	1	A
-23	5275122		COVER ASSY, Internal wing gun ammunition box outboard	1	A
-24	AN393-7		PIN	2	A
	1026614-3-005		SPACER, OD bearing	2	A
	AN960-10L		WASHER	2	A
-25	2209616		HINGE ASSY, Internal wing gun ammunition box support hinge	1	A
-26	2209589		HINGE ASSY, Internal wing gun ammunition box support	1	A
-27	1000759S120-168		PIN, Hood hinge safety end	1	A
-28	1000759S120-1128		PIN, Hood hinge safety end	1	A
-29	1000759S081-628		PIN, Hood hinge safety end	1	A
-30	1000759S081-1128		PIN, Hood hinge safety end	1	A
	5275742		MOUNTS AND EJECTION CHUTES INSTL, Internal wing gun LH	1	A
	5275742-1		MOUNTS AND EJECTION CHUTES INSTL, Internal wing gun RH	1	A
-31	5278493		SUPPORT, Wing gun forward mount (ATTACHING PARTS)	1	A
-32	AN5-23A		BOLT	2	A
	AN960-516		WASHER	2	A
	AN365-524		NUT	2	A
-33	AN6-23A		BOLT	4	A
	AN960-616		WASHER	4	A
	AN365-624		NUT	4	A

A USAF 44-34218 thru 44-35197
44-35938 thru 44-35996

Section II

T.O. 1B-26B-4

Group Assembly Parts List

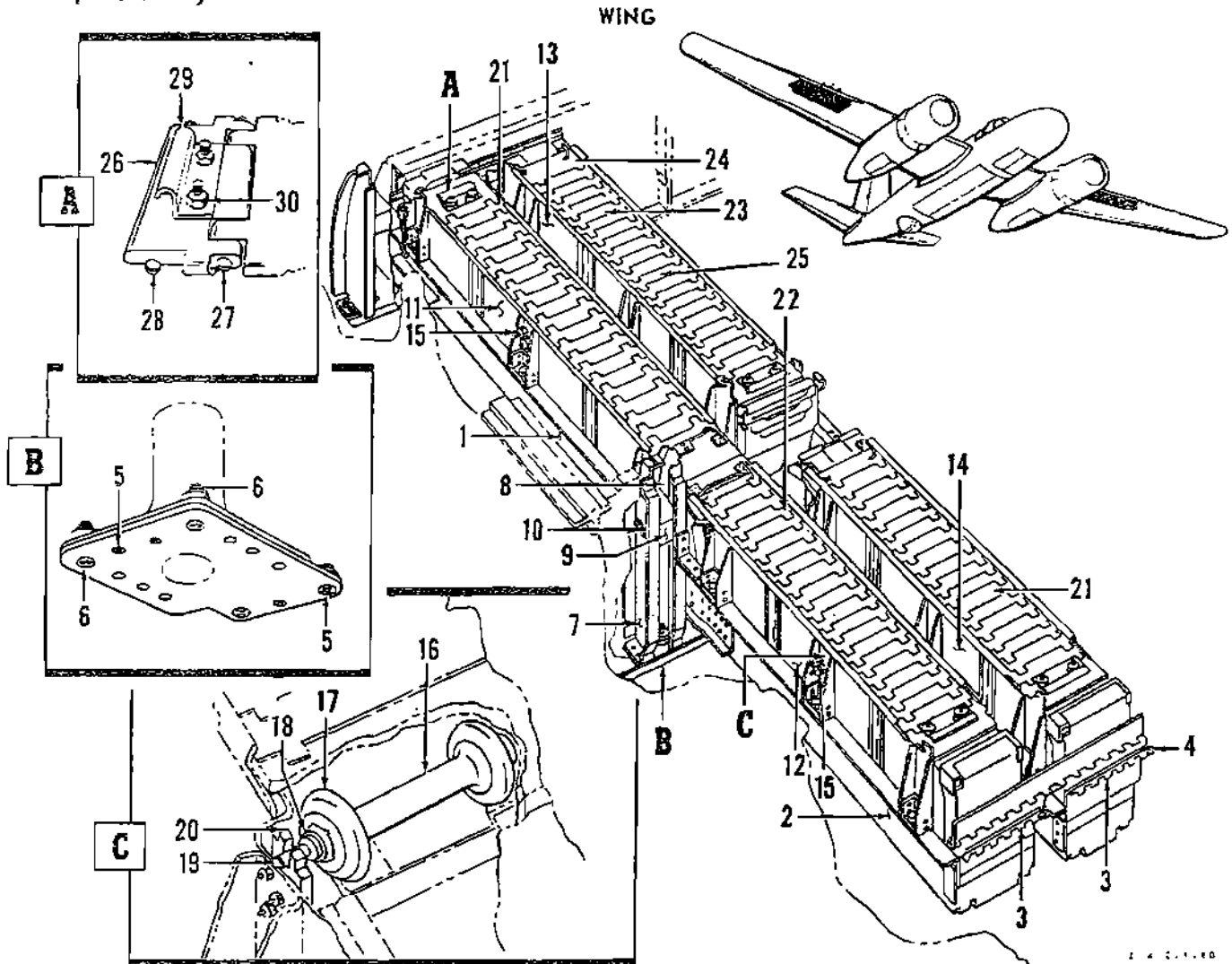


Figure 28. Wing Fixed Gun LH and RH Ammunition Box and Gun Support Installation

FIGURE & INDEX NO.	PART NO.	1 2 3 4 5 6 7	DESCRIPTION	UNITS PER ASSY	USABLE ON CODE
28-	5199530		AMMUNITION BOX AND GUN SUPPORTS INSTL, Wing fixed gun LH	Ref	A
			(see figure 2)		
-1	5199530-1		AMMUNITION BOX AND GUN SUPPORTS INSTL, Wing fixed gun RH	Ref	A
			(see figure 2)		
-2	5143047		SUPPORT INSTL, Wing gun ammunition box LH	1	A
	5143047-1		SUPPORT INSTL, Wing gun ammunition box RH	1	A
-3	5207609		SUPPORT ASSY, Wing gun inboard ammunition box LH	1	A
	5207609-1		SUPPORT ASSY, Wing gun inboard ammunition box RH	1	A
-4	5207610		SUPPORT ASSY, Wing gun outboard ammunition box LH	1	A
	5207610-1		SUPPORT ASSY, Wing gun outboard ammunition box RH	1	A
-5	2143019		HINGE ASSY, Wing gun ammunition box support LH	4	A
	2143019-1		HINGE ASSY, Wing gun ammunition box support RH	4	A
-6	1000759S120-803		PIN, Hood hinge safety end	4	A
	5143074		GUN SUPPORT:INSTL, Wing fixed LH	1	A
-7	5143074-1		GUN SUPPORT:INSTL, Wing fixed RH	1	A
			(ATTACHING PARTS)		
-8	1029421-10-12		SCREW, Flathead 100° recessed	5	A
	AN960D10		WASHER	5	A
-9	AN365-1032		NUT	5	A
	1029421-416-14		SCREW, Flathead 100° recessed	2	A
-10	AN960D416		WASHER	2	A
	AN365-426		NUT	2	A
-11	4142918		SUPPORT, Wing gun LH	1	A
	4142918-1		SUPPORT, Wing gun RH	1	A

FIGURE & INDEX NO.	PART NO.	DESCRIPTION	UNITS PER ASSY	USABLE ON CODE
28-8	4142919	SUPPORT, Wing gun LH	1	A
	4142919-1	SUPPORT, Wing gun RH	1	A
-9	1142944	NUT, Fixed wing gun forward hanger support (ATTACHING PARTS)	1	A
-10	AN4-21A	BOLT	4	A
	AN960D416	WASHER	4	A
	AN365-428	NUT	4	A
-11	5143213	BOX ASSY, Wing gun ammunition forward inboard (interchangeable with part numbers 100050 and P10165)	1	A
	100050	BOX ASSY, Ammunition (PLX) (interchangeable with part numbers 5143213 and P10165)	1	A
	P10165	BOX ASSY, Ammunition (AIRPLY) (interchangeable with part numbers 5143213 and 100050)	1	A
-12	5143011	BOX ASSY, Wing gun ammunition forward outboard (interchangeable with part numbers 100049 and P10175)	1	A
	100049	BOX ASSY, Ammunition (PLX) (interchangeable with part numbers 5143011 and P10175)	1	A
	P10175	BOX ASSY, Ammunition (AIRPLY) (interchangeable with part numbers 5143011 and 100049)	1	A
-13	5143164	BOX ASSY, Wing gun ammunition aft inboard (interchangeable with part numbers 100051 and P10164)	1	A
	100051	BOX ASSY, Ammunition (PLX) (interchangeable with part numbers 5143164 and P10164)	1	A
	P10164	BOX ASSY, Ammunition (AIRPLY) (interchangeable with part numbers 5143164 and 100051)	1	A
-14	5143206	BOX ASSY, Wing gun ammunition aft outboard (interchangeable with part numbers 100033 and P10170)	1	A
	100033	BOX ASSY, Ammunition (PLX) (interchangeable with part numbers 5143206 and P10170)	1	A
	P10170	BOX ASSY, Ammunition (AIRPLY) (interchangeable with part numbers 5143206 and 100033)	1	A
	2206212-2	ROLLER ASSY, 50 Caliber ammunition box (ATTACHING PARTS)	2	A
-15	1029421-10-16	SCREW, Flathead 100° recessed	6	A
	AN960D10	WASHER	6	A
	AN365-1032	NUT	6	A
-16	3206208-2	ROLLER, 50 caliber ammunition box	1	A
-17	3G2-2	TIRE, 50 caliber ammunition box (ARW)	2	A
-18	F400-2	BEARING, Oilite (AXD)	2	A
-19	1143592	SHAFT, Wing gun ammunition box roller	1	A
-20	2143070	BEARING, Wing gun ammunition box roller support LH	1	A
	2143070-1	BEARING, Wing gun ammunition box roller support RH	1	A
-21	4142917	COVER ASSY, Wing gun ammunition box short aft outboard and forward inboard	2	A
-22	4143466	COVER ASSY, Wing gun ammunition box long forward outboard	1	A
-23	4206382	COVER ASSY, Wing gun ammunition box short aft inboard	1	A
-24	2143455	SEGMENT, Wing gun ammunition box cover end	1	A
-25	2142428	SEGMENT, Wing gun ammunition box cover center	AR	A
-26	2142927	SEGMENT, Wing gun ammunition box cover lock	1	A
-27	PK11424-28	SCREW, Slotted round head grip type (PK)	AR	A
-28	PK11424-9	SCREW, Slotted round head grip type (PK)	2	A
-29	2143377	HANDLE, Wing gun ammunition box cover (ATTACHING PARTS)	1	A
-30	AN507-832-12	SCREW	2	A
	AN365-832	NUT	2	A
		A USAF 41-39100 thru 41-39599		
		44-34098 thru 44-34217		
		43-22252 thru 43-22751		
		44-35198 thru 44-35937		

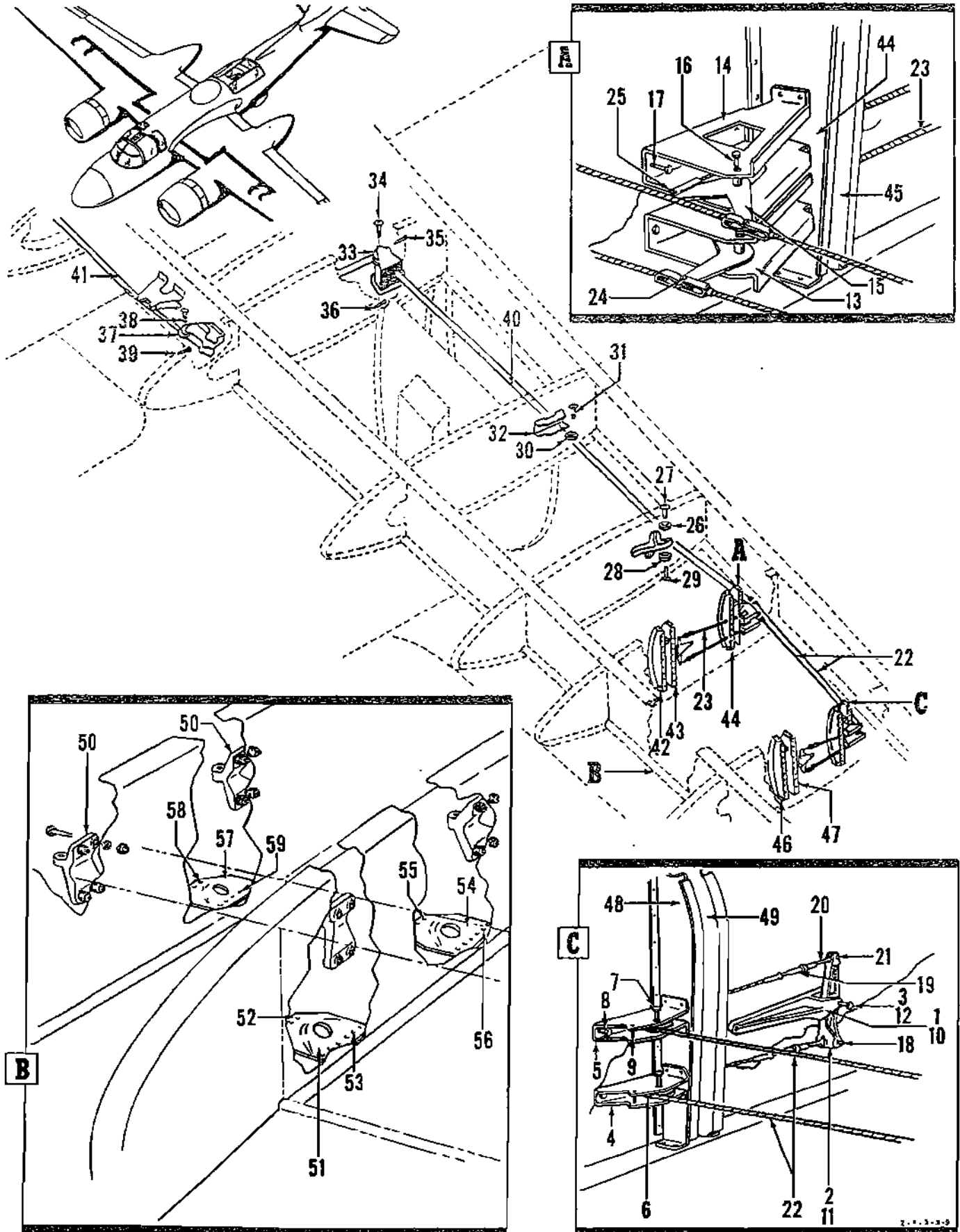


Figure 28A. Wing Bomb Rack Provisions Installations.

Section II
Group Assembly Parts List

T.O. 1B-26B-4

FIGURE & INDEX NO.	PART NO.	1 2 3 4 5 6 7	DESCRIPTION	UNITS PER ASSY	USABLE ON CODE
28A-	5202751		PROVISIONS INSTL, Wing bomb rack LH (see figure 2)	Ref	A, B
	5202751-1		PROVISIONS INSTL, Wing bomb rack RH (see figure 2)	Ref	A, B
	5153281		CONTROL INSTL, Wing bomb rack LH (used on 5202751)	1	A
	5153281-1		CONTROL INSTL, Wing bomb rack RH (used on 5202751-1)	1	A
	5190425		BRACKET INSTL, Wing bomb release control sta 241 LH (used on 5153281)	1	A
	5190425-1		BRACKET INSTL, Wing bomb release control sta 241 RH (used on 5153281-1)	1	A
-1	4155772		BRACKET, Wing bomb rack control lever	1	A
-2	4191556		LEVER ASSY, Wing bomb rack control LH (used on 5190425)	1	A
	4191556-1		LEVER ASSY, Wing bomb rack control RH (used on 5190425-1)	1	A
	AN209KF3A		BEARING	1	A
-3	AN3-17		BOLT	1	A
	AN960D10		WASHER	1	A
-4	AN320-3		NUT	1	A
	4190200		BRACKET ASSY, Wing bomb release control sta 241 lower LH (used on 5190425)	1	A
	4190200-1		BRACKET ASSY, Wing bomb release control sta 241 lower RH (used on 5190425-1)	1	A
-5	4158899		BRACKET ASSY, Wing bomb release control sta 241 upper LH (used on 5190425)	1	A
	4158899-1		BRACKET ASSY, Wing bomb release control sta 241 upper RH (used on 5190425-1)	1	A
-6	AN210-2A		PULLEY	2	A
-7	AN3-13		BOLT	2	A
	AN320-3		NUT	2	A
-8	AN3-3		BOLT	2	A
	AN310-3		NUT	2	A
-9	NAS427K15		PIN (formerly 143358-030)	2	A
	5190457		BRACKET INSTL, Wing bomb release control sta 205 LH (used on 5153281)	1	A
	5190457-1		BRACKET INSTL, Wing bomb release control sta 205 RH (used on 5153281-1)	1	A
	4155772		BRACKET, Wing bomb rack control lever	1	A
-10	4191556		LEVER ASSY, Wing bomb rack control LH (used on 5190457)	1	A
-11	4191556-1		LEVER ASSY, Wing bomb rack control RH (used on 5190457-1)	1	A
	AN209KF3A		BEARING	1	A
-12	AN3-17		BOLT	1	A
	AN960D10		WASHER	1	A
-13	AN320-3		NUT	1	A
	4190213		BRACKET ASSY, Wing bomb release control sta 205 lower LH (used on 5190457)	1	A
	4190213-1		BRACKET ASSY, Wing bomb release control sta 205 lower RH (used on 5190457-1)	1	A
-14	4190214		BRACKET ASSY, Wing bomb release control sta 205 upper LH (used on 5190457)	1	A
	4190214-1		BRACKET ASSY, Wing bomb release control sta 205 upper RH (used on 5190457-1)	1	A
-15	2159736		BELLCRANK ASSY, Wing bomb release control sta 205	2	A
-16	2062646-508S3		BUSHING, Upset type	1	A
	AN3-16		BOLT	2	A
-17	1026614G3-024		SPACER, Outside diameter bearing	2	A
	AN320-3		NUT	2	A
-18	AN3-3		BOLT	2	A
	124682-3D12-064		WASHER	2	A
-19	AN310-3		NUT	2	A
	1193807		LOCK ASSY, Wing bomb rack control lever	2	A
-20	AN960D10		WASHER	2	A
	AN310-3		NUT	2	A
-21	AN155-168		BARREL	4	A
	AN165-168		EYE	4	A
-22	AN393-19		PIN	4	A
	AN960D10		WASHER	4	A
-23	2074407-2-12-5200		CABLE ASSY, Swaged type 3/32 in. diameter	2	A
-24	2074407-2-12-1500		CABLE ASSY, Swaged type 3/32 in. diameter	2	A
-25	AN23-12		BOLT	2	A
	AN320-3		NUT	2	A
-26	AN23-11		BOLT	2	A
	AN320-3		NUT	2	A
-27	AN210-1A		PULLEY	1	A
	AN23-23		BOLT	1	A
-28	124682-3S12-065		WASHER	1	A
	AN320-3		NUT	1	A
-29	AN210-1A		PULLEY	1	A
	AN23-24		BOLT	1	A
-30	124682-3S12-065		WASHER	1	A
	AN960D10		WASHER	1	A
-31	AN320-3		NUT	1	A
	AN210-1A		PULLEY	2	A
	AN23-30		BOLT (used on 5153281)	1	A
	AN23-17		BOLT (used on 5153281-1)	1	A
	NAS43DD3-54		SPACER (formerly 117425-3D027) (used on 5153281)	1	A
	AN960D10		WASHER	1	A
	AN320-3		NUT	1	A
	5125758		BRACKET INSTL, Wing bomb pulley sta 141 (used on 5153281-1)	1	A

FIGURE & INDEX NO.	PART NO.	DESCRIPTION							UNITS PER ASSY	USABLE ON CODE
		1	2	3	4	5	6	7		
28A-32	4129453								1	A
-33	AN210-2A								2	A
-34	AN23-32								1	A
	AN960D10								1	A
	AN320-3								1	A
-35	NAS427K25								1	A
-36	NAS427K27								1	A
-37	AN210-1A								2	A
-38	AN23-36								1	A
	NAS43DD3-46								1	A
	AN960D10								1	A
	AN320-3								1	A
-39	NAS427K15								1	A
-40	2074407-7-11-18600								1	A
-41	2074407-7-11-20000								1	A
	5154999								1	A,B
	5154999-1								1	A,B
-42	4155766								1	A,B
	4155766-1								1	A,B
-43	4155767								1	A,B
	4155767-1								1	A,B
-44	4155765								1	A,B
	4155765-1								1	A,B
-45	4155771								1	A,B
	4155771-1								1	A,B
	5154996								1	A,B
	5154996-1								1	A,B
-46	4155770								1	A,B
	4155770-1								1	A,B
-47	4155768								1	A,B
	4155768-1								1	A,B
-48	4155769								1	A,B
	4155769-1								1	A,B
-49	4155773								1	A,B
	4155773-1								1	A,B
	5276071								Ref	C
	5276071-1								Ref	C
-50	4209519								2	C
	4209519-1								2	C
	AN4-12A								4	C
	AN960-416								4	C
	AN365-428								4	C
-51	4275034								1	C
	4275034-1								1	C
-52	1029421-416-12								2	C
	AN960-416								2	C
	AN365-428								2	C
-53	1029421-416-14								4	C
	AN960-416								4	C
	AN365-428								4	C
-54	4205017								1	C
	4205017-1								1	C
-55	1029421-416-12								2	C
	AN960-416								2	C
	AN365-428								2	C
-56	1029421-416-14								4	C
	AN960-416								4	C
	AN365-428								4	C

Section II
Group Assembly Parts List

T.O. 1B-26B-4

FIGURE & INDEX NO.	PART NO.	DESCRIPTION							UNITS PER ASSY	USABLE ON CODE
		I	2	3	4	5	6	7		
28A-57	4209768								1	C
-58	1029421-416-12								2	C
	AN960-416								2	C
	AN365-428								2	C
-59	AN509-416R15								4	C
	AN960-416								4	C
	AN365-428								4	C
		<p>SHEAR PLATE, Wing bomb rack sta 205 rear (ATTACHING PARTS) SCREW, 100-degree recessed flathead WASHER NUT SCREW (formerly 1029421-416-16) WASHER NUT</p> <p>A USAF 41-39100 thru 41-39139 43-22252 thru 43-22301 B USAF 41-39140 thru 41-39599 43-22302 thru 43-22751 44-34098 thru 44-34217 44-35198 thru 44-35937 C USAF 44-34218 thru 44-35197 44-35938 thru 44-35996</p>								

Section II
Group Assembly Parts List

T.O. 1B-26B-4

WING

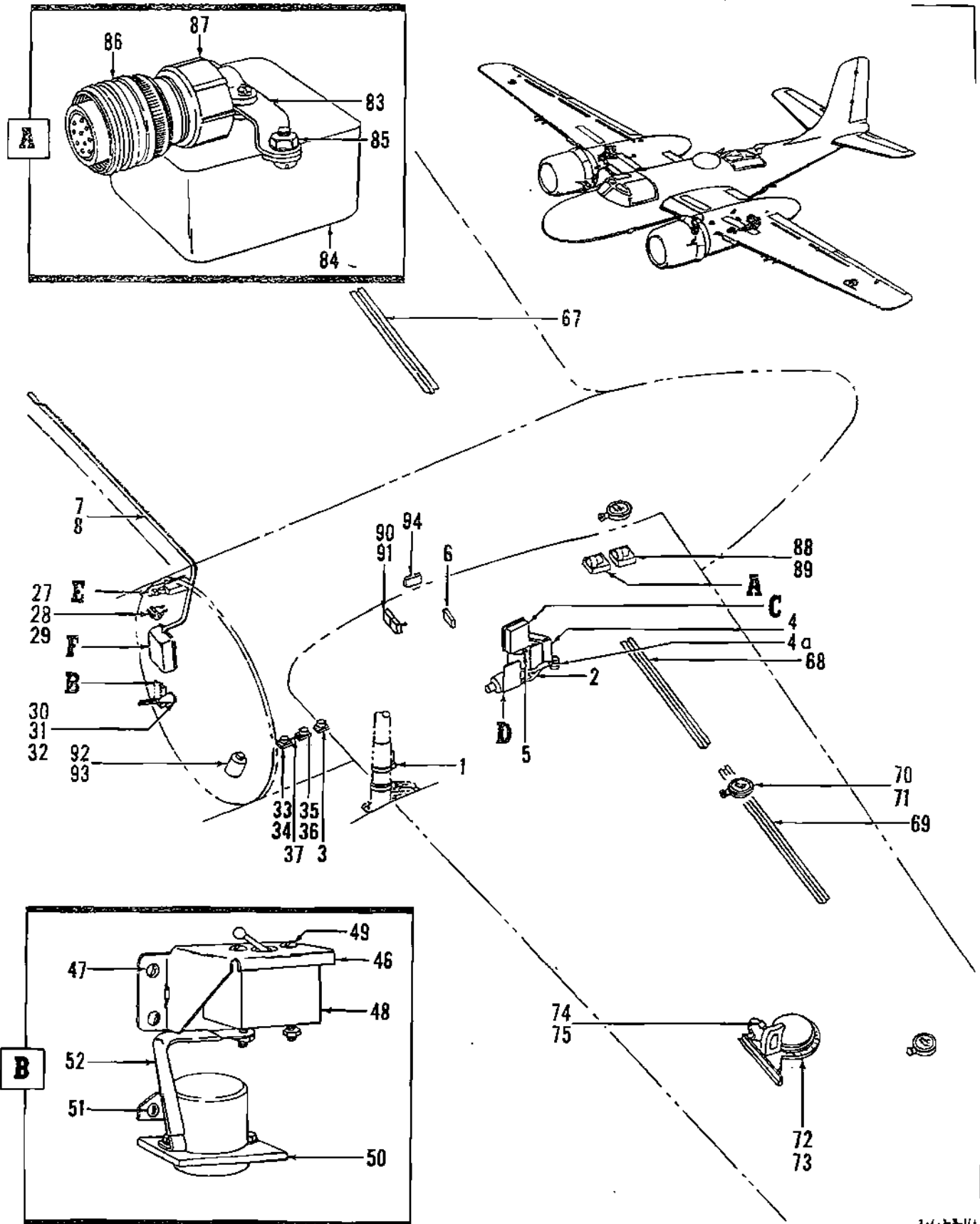


Figure 29. Wing LH and RH Electrical Installation (Sheet 1 of 2)

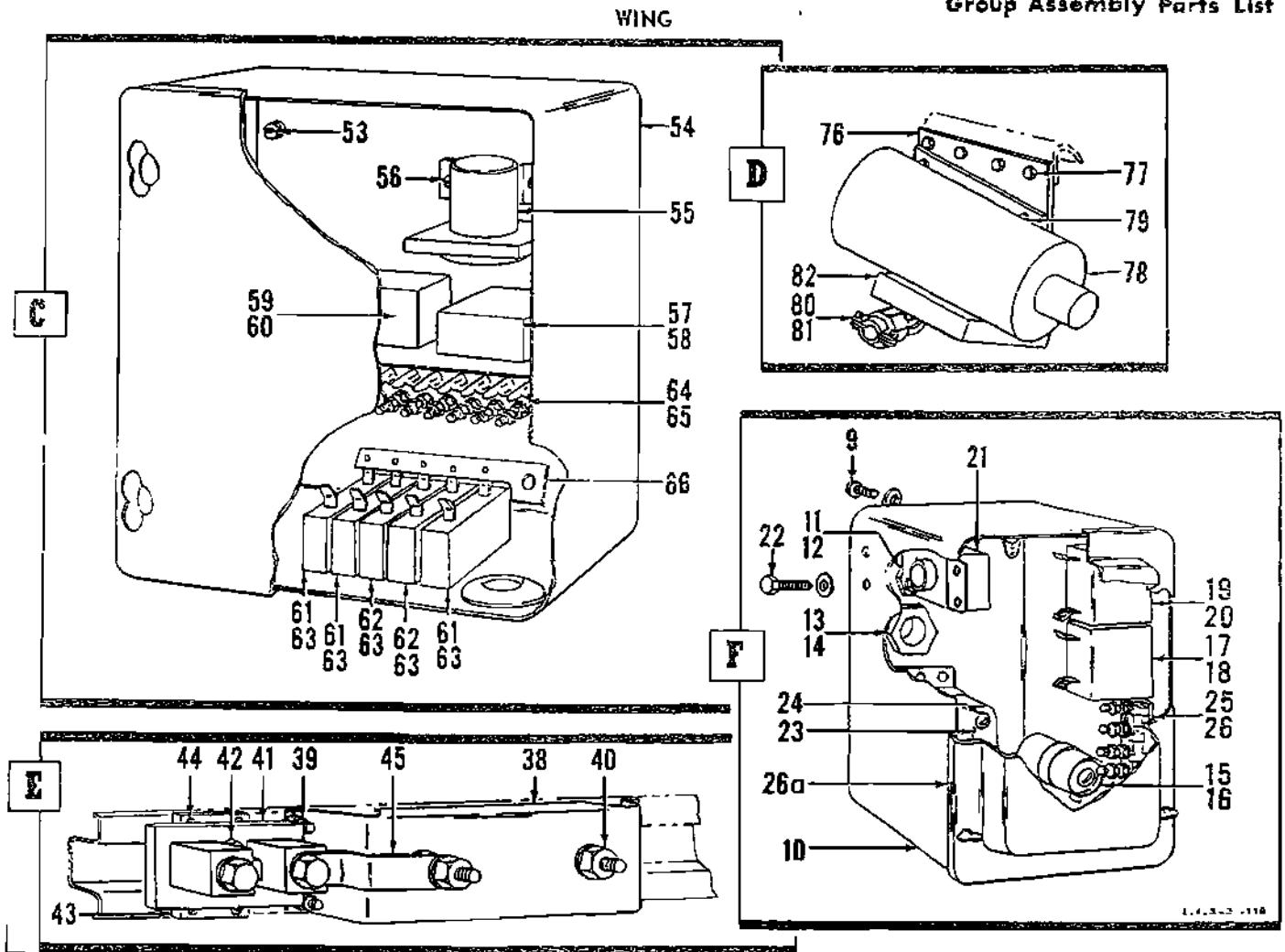


Figure 29. Wing LH and RH Electrical Installation (Sheet 2 of 2)

FIGURE & INDEX NO.	PART NO.	DESCRIPTION							UNITS PER ASSY	USABLE ON CODE	
		1	2	3	4	5	6	7			
29-	5153077	ELECTRICAL INSTL, Wing LH (see figure 2)							Ref	F,H	
	5153078	ELECTRICAL INSTL, Wing RH (see figure 2)							Ref	F,H	
	5204675	ELECTRICAL INSTL, Wing LH (see figure 2)							Ref	G	
	5204674	ELECTRICAL INSTL, Wing RH (see figure 2)							Ref	G	
	5276112	ELECTRICAL INSTL, Wing LH (see figure 2)							Ref	B	
	5276113	ELECTRICAL INSTL, Wing RH (see figure 2)							Ref	B	
	5208356	ELECTRICAL INSTL, Wing LH (see figure 2)							Ref	C	
	5208357	ELECTRICAL INSTL, Wing RH (see figure 2)							Ref	C	
	-1	5123562	SWITCH INSTL, Landing gear retracting release (see figure 30)							1	
	-2	5204000	RECEPTACLE AND ADAPTER INSTL, External power (see figure 31)							1	J
	5207268	RECEPTACLE AND ADAPTER INSTL, External power (see figure 31)							1	E	
-3	5204001	RELAY INSTL, External power (see figure 31)							1	G,H	
-4	5209457	BATTERY INSTL, Nacelle LH (see figure 31)							1	B,C	
	5209457-1	BATTERY INSTL, Nacelle RH (see figure 31)							1	B,C	
	5123909	BATTERY INSTL, Nacelle LH (see figure 31)							1	K,L	
	5123909-1	BATTERY INSTL, Nacelle RH (see figure 31)							1	K,L	
	5205747	BATTERY INSTL, Nacelle LH (see figure 31)							1	L	
	5205747-1	BATTERY INSTL, Nacelle RH (see figure 31)							1	L	
-4A	5191080	VENT SYSTEM INSTL, Battery LH (see figure 31)							1	A	
	5191080-1	VENT SYSTEM INSTL, Battery RH (see figure 31)							1	A	
-5	5193091	RECEPTACLE AND RELAY INSTL, External power (see figure 31)							1	F	
-6	5127910	SWITCH INSTL, Main landing gear latch LH (see figure 30)							1	D	
	5127910-1	SWITCH INSTL, Main landing gear latch RH (see figure 30)							1	D	
	5206193	SWITCH INSTL, Main landing gear latch LH (see figure 30)							1	E	
	5206193-1	SWITCH INSTL, Main landing gear latch RH (see figure 30)							1	E	
	5159572	BUS BAR INSTL, Wing LH							1		
	5159573	BUS BAR INSTL, Wing RH							1		
-7	2159574-3	BUS BAR, Wing junction to firewall junction box LH							1		
	2159574-6	BUS BAR, Wing junction to sta 84 RH							1		
-8	AN4-10A	(ATTACHING PARTS)									
	124682-4S14-062	BOLT							2		
	AN365-428	WASHER							4		
		NUT							2		

Section II

T.O. 1B-26B-4

Group Assembly Parts List

FIGURE & INDEX NO.	PART NO.	DESCRIPTION							UNITS PER ASSY	USABLE ON CODE
		1	2	3	4	5	6	7		
29-	5159575	JUNCTION BOX INSTL, Firewall LH							1	
	5159575-1	JUNCTION BOX INSTL, Firewall RH							1	
	5159576	JUNCTION BOX ASSY, Firewall LH							1	F
	5159576-1	JUNCTION BOX ASSY, Firewall RH							1	
	5204029	JUNCTION BOX ASSY, Firewall LH							1	E,J
	5204029-1	JUNCTION BOX ASSY, Firewall RH							1	E,J
		(ATTACHING PARTS)								
-9	AN520-10-6	SCREW							4	
	AN960D10	WASHER							4	
-10	5204029-4	JUNCTION BOX ASSY, Firewall							1	E,J
	515976-4	JUNCTION BOX ASSY, Firewall							1	F
-11	AN3064-16	BOX CONNECTOR							1	
-12	AN3066-16	NUT							1	
-13	AN3064-20	BOX CONNECTOR							1	
-14	AN3066-20	NUT							1	
-15	CA275X	CAPACITOR, Class E0.5MFD (USAF Spec 50131-E) (GFP)							1	
		(ATTACHING PARTS)								
-16	AN515-8-8	SCREW							2	
	AN960D8	WASHER							2	
	AN365-832	NUT							2	
-17	AN3160-20	CIRCUIT BREAKER							1	
		(ATTACHING PARTS)								
-18	AN515-6R6	SCREW							2	
	AN960D6	WASHER							2	
-19	AN3160-35	CIRCUIT BREAKER							1	
		(ATTACHING PARTS)								
-20	AN515-6R5	SCREW							2	
	AN960D6	WASHER							2	
-21	PGM200	CIRCUIT BREAKER (SPT)							1	
		(ATTACHING PARTS)								
-22	AN3-4A	BOLT							4	
	AN960D10	WASHER							4	
	AN365-1032	NUT							4	
-23		RELAY, Generator control switch (US Army Spec 94-32278) (GFP)							1	
		(ATTACHING PARTS)								
-24	AN515-8-16	SCREW							4	
	AN960D8	WASHER							4	
-25	2062648-7B	TERMINAL STRIP ASSY							1	
		(ATTACHING PARTS)								
-26	AN515-4-5	SCREW							2	
	AN960D4	WASHER							2	
	AN365-440	NUT							2	
-26a	5128688-10	COVER ASSY, Firewall junction box							1	F
	5204029-6	COVER ASSY, Firewall junction box LH							1	E,J
	5204029-7	COVER ASSY, Firewall junction box RH							1	E,J
-27	BT500-2	BLOCK, Thermocouple lead connector (LEN)							1	
		(ATTACHING PARTS)								
-28	AN515-6-8	SCREW							2	
	AN365-632	NUT							2	
-29	L368-30	THERMOCOUPLE LEAD, Wing LH (LEN)							1	B,C,H
	L368-16	THERMOCOUPLE LEAD, Wing RH (LEN)							1	B,C,H
	2203132-2	THERMOCOUPLE LEAD ASSY, Wing LH							1	F,G
	2203132-4	THERMOCOUPLE LEAD ASSY, Wing RH							1	F,G
	420441	COVER ASSY, Generator terminal							1	
-30	2207086	BLOCK, Generator cable separator							1	
		(ATTACHING PARTS)								
-32	AN515-6-8	SCREW							2	
	AN365-632	NUT							2	
-33	5143008	RELAY INSTL, Propeller feathering switch LH							1	A
	5142986	RELAY INSTL, Propeller feathering switch RH							1	A
	5275722	RELAY INSTL, Nacelle propeller feathering and starter LH							1	B,C
	5275721	RELAY INSTL, Nacelle propeller feathering and starter RH							1	B,C
		RELAY, Solenoid switch type B8 (USAF Spec 94-32424) (GFP)							1	
		(ATTACHING PARTS)								
-34	AN520-10-10	SCREW							4	A
	AN960D10	WASHER							4	A
	110242-3-SH	BOLT (used on 5208356 and 5276112)							4	B,C
	AN960-10	WASHER							4	B,C
	AN3-4A	BOLT (used on 5208357 and 5276112)							4	B,C
	AN960-10	WASHER							4	B,C
-35		RELAY, Solenoid switch type B4 (US Army Spec 94-32324) (GFP)							1	A,C
		(ATTACHING PARTS)								
-36	AN520-10-10	SCREW							2	A
	AN960D10	WASHER							2	A
	110242-3-SH	BOLT							2	B,C
	AN960-10	WASHER							2	B,C
	2275723	BUS BAR, Nacelle battery external power disconnect relay							1	B,C

FIGURE & INDEX NO.	PART NO.	1	2	3	4	5	6	7	DESCRIPTION	UNITS PER ASSY	USABLE ON CODE
29-37	2203474								BUS BAR, Battery relay to LH propeller feathering relay LH	1	A
	5143227								GENERATOR SHUNT AND RESISTOR INSTL, Wing LH	1	
	5143227-1								GENERATOR SHUNT AND RESISTOR INSTL, Wing RH	1	
-38	4143217								BRACKET, Wing generator shunt and resistor (ATTACHING PARTS)	1	
-39	AN515-8-10								SCREW	4	
	124682-2SB-065								WASHER	4	
	AN365-832								NUT	4	
-40	1011								RESISTOR, Equalizing (AIV)	1	
-41									SHUNT, Ammeter (furnished with ammeter) (US Army Spec 94-32204) (GFP) (ATTACHING PARTS)	1	
-42	130417-10-13								SCREW	2	
	AN365-1032								NUT	2	
-43	2150859								PLATE, Generator shunt mounting (ATTACHING PARTS)	1	
-44	AN507-632-10								SCREW	4	
	AN365-632								NUT	4	
-45	2143126								BUS BAR, Wing generator resistor LH and RH	1	
	5143826								STARTER RELAY AND CIRCUIT BREAKER INSTL, LH	1	A
	5202155								STARTER RELAY AND CIRCUIT BREAKER INSTL, RH	1	A
-46	2203101								SUPPORT, Nacelle junction box master relay switch (ATTACHING PARTS)	1	A
-47	AN520-10-8								SCREW	4	A
	AN960-10								WASHER	4	A
	AN365-1032								NUT	4	A
-48	9300-90B								CIRCUIT BREAKER, Air arc quenching SPST 30 V 90 AMP DC continuous load rating 1500 AMP (ATTACHING PARTS)	1	A
-49	AN520-8-8								SCREW	2	A
	AN960-8								WASHER	2	A
-50									RELAY, Solenoid switch type B8 (USAF Spec 32424) (GFP) (ATTACHING PARTS)	1	A
-51	AN520-10-12								SCREW	2	A
	AN960D10								WASHER	2	A
	AN365-1032								NUT	2	A
-52	2203678								BUS BAR ASSY, Starter relay to nacelle circuit breaker LH	1	A
	2203441								BUS BAR ASSY, Starter relay to nacelle circuit breaker RH	1	A
	5194562								JUNCTION BOX INSTL, Nacelle relay LH	1	
	5143816								JUNCTION BOX INSTL, Nacelle relay RH	1	
	5143155								JUNCTION BOX ASSY, Nacelle relay (ATTACHING PARTS)	1	
-53	AN530-10-8								SCREW	4	
	AN960D10								WASHER	4	
-54	5143155-2								BOX ASSY	1	
-55									RELAY, Type B5A (US Army Spec 94-32351-A) (ATTACHING PARTS)	1	
-56	AN530-10-10								SCREW	2	
	AN960-10								WASHER	2	
-57	1220DEC								RELAY ASSY, SPST double break (LR) (ATTACHING PARTS)	1	
-58	AN530-6-10								SCREW	2	
	AN960-6								WASHER	2	
-59	1220DE-CW								RELAY ASSY, DPST (LR) (ATTACHING PARTS)	1	
-60	AN530-6-10								SCREW	3	
	AN960-6								WASHER	3	
-61	AN3160-25								CIRCUIT BREAKER (ATTACHING PARTS)	3	
-62	AN515-6-6								SCREW	2	
	AN960-6								WASHER	2	
-63	AN3160-15								CIRCUIT BREAKER (ATTACHING PARTS)	2	
	AN515-6-6								SCREW	2	
	AN960-6								WASHER	2	
-64	NAS191-12								TERMINAL STRIP (formerly 2062648-12A) (ATTACHING PARTS)	1	
-65	AN515-4-7								SCREW	3	
	124682-0D4-032								WASHER	3	
	AN935-4L								WASHER	3	
-66	1143293								BUS BAR, Nacelle relay	1	
	5205525								GUARD INSTL, Wing electrical wiring LH	1	
	5205525-1								GUARD INSTL, Wing electrical wiring RH	1	
-67	2206949								GUARD, Wing electrical wiring inboard LH	1	
	2206949-1								GUARD, Wing electrical wiring inboard RH	1	
-68	2205514								GUARD, Wing electrical wiring center LH	1	
	2205514-1								GUARD, Wing electrical wiring center RH	1	

Section II

T.O. 1B-26B-4

Group Assembly Parts List

FIGURE & INDEX NO.	PART NO.	1	2	3	4	5	6	7	DESCRIPTION	UNITS PER ASSY	USABLE ON CODE
29-59	2206948								GUARD, Wing electrical wiring outboard LH	1	
	2206948-1								GUARD, Wing electrical wiring outboard RH	1	
	AN530-8-6								(ATTACHING PARTS)		
	AN960ASL								SCREW	AR	
									WASHER	AR	
70									LAMP ASSY, Circular (formation type CJ) (US Army Spec 94-32264)	1	
									(GFP)		
71	1114189Z4-8								(ATTACHING PARTS)		
									SCREW	15	
72	5159571								LAMP INSTL, Landing LH	1	
	5159571-1								LAMP INSTL, Landing RH	1	
73	AN3095-3								LIGHT ASSY (GFP)	1	
									(ATTACHING PARTS)		
74	AN507-440R6								SCREW (formerly 1087510-4-6)	4	
	AN960-4								WASHER	4	
	AN365-440								NUT	4	
75	AN3100-20-26P								CONNECTOR	1	
	AN3100-32-6S								CONNECTOR	1	
									(ATTACHING PARTS)		
76	AN515-4-5								SCREW	4	
	AN365-440								NUT	4	
77	3209550								INVERTER INSTL, Shelf (used on 5208356)	1	B,C
	4209559								PLATE ASSY	1	B,C
									(ATTACHING PARTS)		
78	AN3-5A								BOLT	8	B,C
	AN960D10								WASHER	8	B,C
79									INVERTER, Rotary model 149F (US Army Spec 94-32270A)	1	B,C
									(GFP)		
									(ATTACHING PARTS)		
80	AN3-5A								BOLT	4	B,C
	AN960D10								WASHER	4	B,C
81	AN3108-22-4S								CONNECTOR	1	B,C
	AN3057-12								ADAPTER	1	B,C
82	CA275X								CAPACITOR (MAL)	2	B,C
	2208574								BRACKET ASSY, Oil cooler door motor capacitor	1	B,C
83	2207272								BRACKET, Fuel booster pump capacitor	1	B,C
	B21002-6								CAPACITOR, Fixed type CA275X (MAL)	1	B,C
									(ATTACHING PARTS)		
84	AN515-8-8								SCREW	2	B,C
	AN560-8								WASHER	4	B,C
85	AN365-832								NUT	2	B,C
	AN3106-16-115								PLUG	1	B,C
86	AN3057-8								ADAPTER	1	B,C
	CA275X								CAPACITOR (MAL)	1	B,C
									(ATTACHING PARTS)		
87	AN515-10-10								SCREW	2	B,C
	AN960D10								WASHER	2	B,C
88	AN935-10								WASHER	2	B,C
	AN345B10								NUT	2	B,C
89	CA275X								CAPACITOR (MAL)	2	B,C
									(ATTACHING PARTS)		
90	AN513-8-24								SCREW	2	B,C
	AN960-8								WASHER	2	B,C
91	AN936B8								WASHER	2	B,C
	NAS43HT2-62								SPACER (formerly 117425-2S031)	2	B,C
92	AN365-832								NUT	2	B,C
	B10RDIE								PRESSURE SWITCH (RAI)	1	
									(ATTACHING PARTS)		
93	AN515-8-12								SCREW	2	
	AN960-8								WASHER	2	
94	AN365-832								NUT	2	
	5121515								SWITCH INSTL, Main landing gear position indicator	1	
	5121515-1							transfer LH (see figure 30)	1		
									SWITCH INSTL, Main landing gear position indicator	1	
									transfer RH (see figure 30)		
		A USAF	41-39100	thru	41-39599	F USAF	41-39100	thru	41-39119		
			43-22252	thru	43-22751		43-22252	thru	43-22260		
			44-35198	thru	44-35655	G USAF	41-39140	thru	41-39599		
		B USAF	43-34218	thru	44-35197		43-22302	thru	43-22751		
			44-35934	thru	44-35996		44-35198	thru	44-35655		
		C USAF	43-34098	thru	44-34217	H USAF	41-39120	thru	41-39139		
			44-35656	thru	44-35937		43-22261	thru	43-22301		
		D USAF	41-39100	thru	41-39299	J USAF	41-39120	thru	41-39299		
			43-22252	thru	43-22399		43-22261	thru	43-22399		
			43-22467	thru	43-22493		43-22467	thru	43-22493		
		E USAF	41-39300	thru	41-39599	K USAF	41-39100	thru	41-39107		
			43-22400	thru	43-22466		43-22252	and	43-22253		
			43-22494	thru	43-22751	L USAF	41-39108	thru	41-39599		
			44-34098	thru	44-35996		43-22254	thru	43-22751		
							44-35198	thru	44-35655		

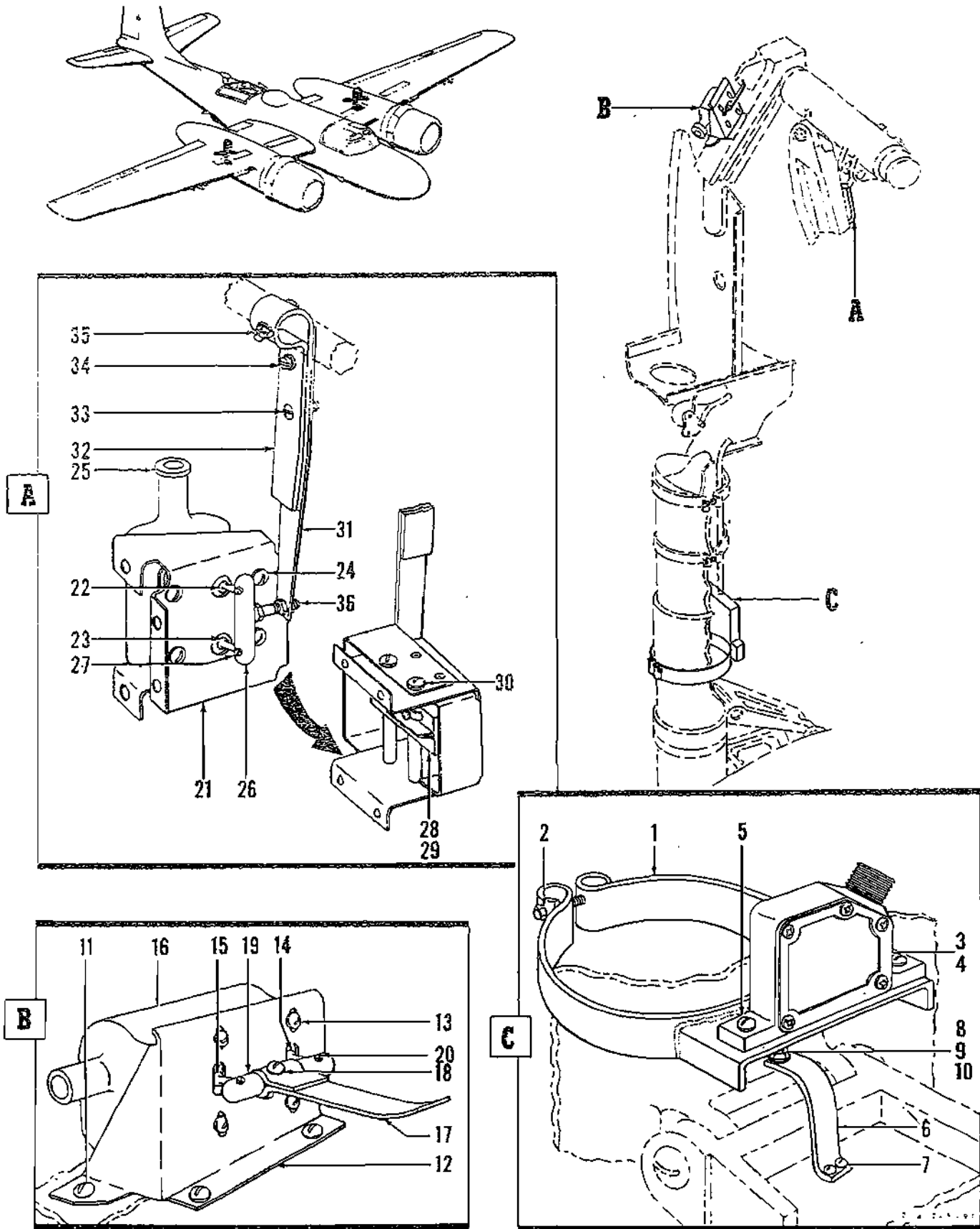


Figure 30. Electrical System Details

T.O. 1B-26B-4

FIGURE & INDEX NO.	PART NO.	1	2	3	4	5	6	7	DESCRIPTION	UNITS PER ASSY	USABLE ON CODE	
30.	5128562	ELECTRICAL SYSTEM DETAILS										
		RELEASE SWITCH INSTL, Landing gear retracting								Ref		
		LH (see figure 29)										
-1	4203502	SUPPORT ASSY, Landing gear retracting and release switch								1		
		(ATTACHING PARTS)										
-2	AN4-15A	BOLT								1		
	AN960-416	WASHER								1		
	AN365-428	NUT								1		
-3	LE12	HOUSING SWITCH, Type H (MCS)								1		
-4	WZ-R31	SWITCH, Micro (MCS)								1		
		(ATTACHING PARTS)										
-5	AN520-10-10	SCREW								1		
	AN960-10	WASHER								2		
	AN365-1032	NUT								1		
-6	2203501	CAM, Landing gear retracting and release switch								1		
		(ATTACHING PARTS)										
-7	AN520-10-12	SCREW								2		
	AN960-10	WASHER								2		
	AN365-1032	NUT								2		
-8	1203500	STUD, Landing gear retracting and release switch								1		
-9	AN936D10	WASHER								1		
-10	AN315-3R	NUT								1		
	5121515	SWITCH INSTL, Main landing gear position indicator transfer LH								Ref		
		(see figure 29)										
	5121515-1	SWITCH INSTL, Main landing gear position indicator transfer								Ref		
		RH (see figure 29)										
	4129419	SWITCH ASSY, Main landing gear position indicator								1		
		transfer LH										
	4129419-1	SWITCH ASSY, Main landing gear position indicator								1		
		transfer RH										
		(ATTACHING PARTS)										
-11	AN515-8-14	SCREW								4		
	AN960D8	WASHER								4		
	AN365-832	NUT								4		
-12	4129421	SUPPORT, Main landing gear position								1		
		indicator transfer LH										
	4129421-1	SUPPORT, Main landing gear position indicator								1		
		transfer RH										
-13	AN515-6-6	SCREW								4		
	AN960D6	WASHER								4		
-14	AN3022-11	SWITCH								1		
-15	AN3023-10	SWITCH								1		
-16	2129241	GUARD, Main landing gear position indicator								1		
		switch terminal										
-17	1128911	SPRING, Main landing gear position indicator								1		
		transfer switch										
		(ATTACHING PARTS)										
-18	AN515-4-12	SCREW								1		
	AN365-440	NUT								1		
-19	1128910	HANDLE, Main landing gear position indicator								1		
		transfer switch										
-20	AN503-8-4	SCREW								2		
	5127910	LATCH SWITCH INSTL, Main landing gear LH (see figure 29)								Ref		A
	5127910-1	LATCH SWITCH INSTL, Main landing gear RH (see figure 29)								Ref		A
	5206193	LATCH SWITCH INSTL, Main landing gear LH (see figure 29)								Ref		B
	5206193-1	LATCH SWITCH INSTL, Main landing gear RH (see figure 29)								Ref		B
	4127502	SUPPORT ASSY, Main landing gear latch switch LH								1		A
	4127502-1	SUPPORT ASSY, Main landing gear latch switch RH								1		A
		(ATTACHING PARTS)										
	AN515-8-10	SCREW								4		A
	AN960D8	WASHER								4		A
	AN365-832	NUT								4		A
-21	2129304	SUPPORT, LH								1		A
	2129304-1	SUPPORT, RH								1		A
-22	AN3023-10	SWITCH								1		A
-23	AN3023-11	SWITCH								1		A
		(ATTACHING PARTS)										
-24	AN515-6-6	SCREW								4		A
	AN960D10	WASHER								4		A
-25	2129241	GUARD								1		A
-26	1128910-2	HANDLE								1		A
		(ATTACHING PARTS)										
-27	AN503-8-4	SCREW								2		A
-28	4206194	SWITCH ASSY, Main landing gear								1		B
	9-10831	ACTUATOR, Type T (MCW)								1		B
-29	AN3210-1	SWITCH								1		B
		(ATTACHING PARTS)										
-30	AN515-6R36	SCREW (formerly 1027301-6-36)								1		B

FIGURE & INDEX NO.	PART NO.	1	2	3	4	5	6	7	DESCRIPTION	UNITS PER ASSY	USABLE ON CODE
30-	2033900-4D049-007 2033900-4D49-023 AN365-1032								SPACER SPACER NUT	1 1 1	B B B
-31	2196503 2196503-1								SPRING, Main landing gear warning switch LH SPRING, Main landing gear warning switch RH	1 1	B S
-32	2196502								CLAMP	1	A, B
-33	AN507-1032R8 AN960-10 AN364-1032								SCREW (formerly 1087510-10-8) WASHER NUT	1 2 2	A, B A, B A, B
-34	AN502-10-6								SCREW	1	A, B
-35	AN3-11A AN960-10 AN365-1032								BOLT WASHER NUT	1 1 1	A, B A, B A, B
-36	110242-3-12W AN935-10 AN315-3R								BOLT WASHER NUT	1 1 2	A, B A, B A, B
									A USAF 41-39100 thru 41-32299 43-22452 thru 43-22899 43-22467 thru 43-22493		
									B USAF 41-39300 thru 41-39599 43-22400 thru 43-22466 43-22494 thru 43-22751 44-33098 thru 44-36797		

Section II
Group Assembly Parts List

T.O. 1B-26B-4

WING

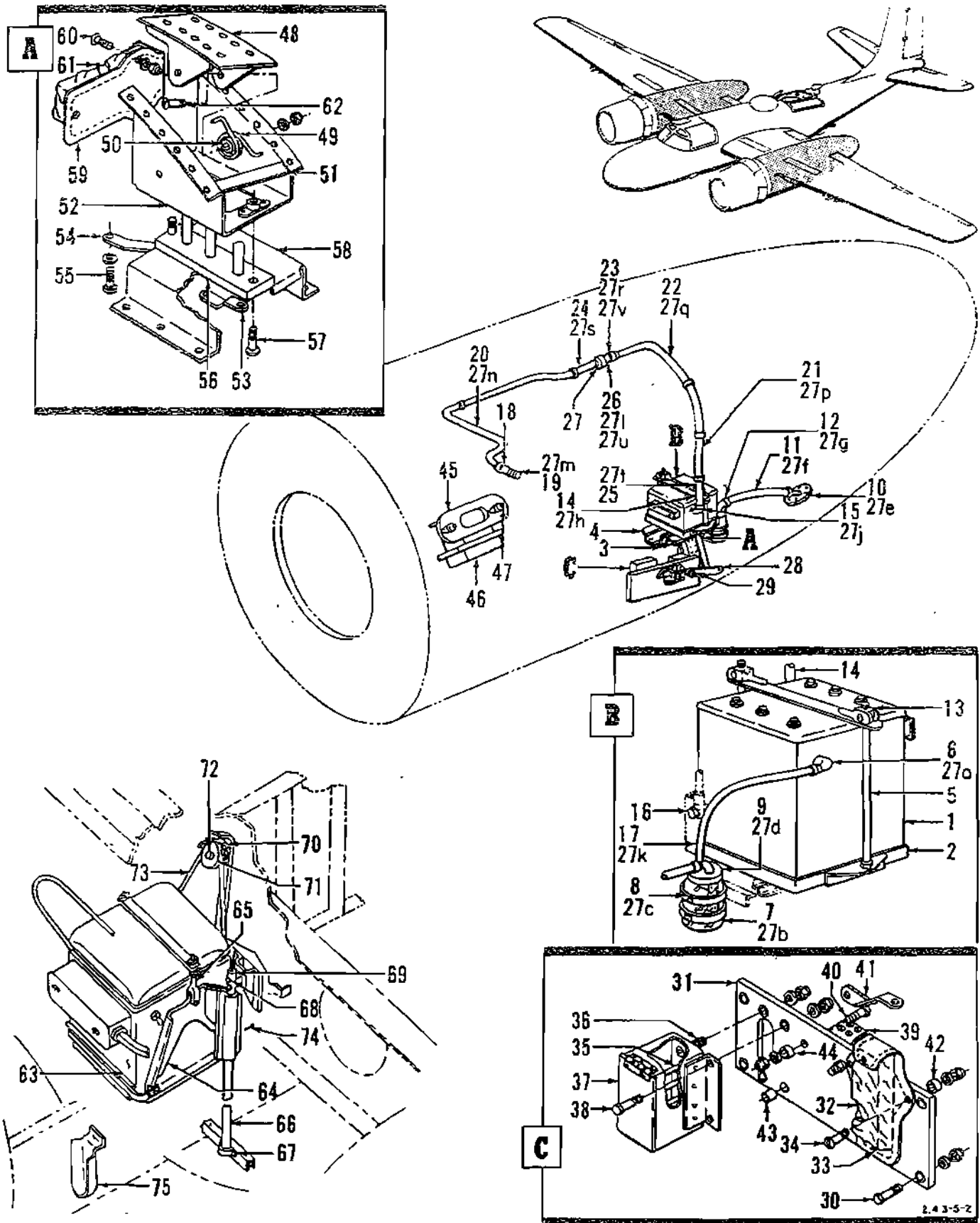


Figure 31. Electrical System Details

FIGURE & INDEX NO.	PART NO.	1	2	3	4	5	6	7	DESCRIPTION	UNITS PER ASSY	USABLE ON CODE
31.		ELECTRICAL SYSTEM DETAILS									
	5209457	BATTERY INSTL, Nacelle LH (see figure 29)							Ref		F
	5209457-1	BATTERY INSTL, Nacelle RH (see figure 29)							Ref		F
-1	AN3150-2	BATTERY (GFP)							1		
-2	3209337	TRAY ASSY, Battery							1		
-3	2209459	SUPPORT, Outboard LH							1		
-4	2209459-1	SUPPORT, Outboard RH							1		
-5	2209462	BOLT, Tie down							2		
-6	1127690	ADAPTER, Battery vent tube							2		F
-7	COML	MASON JAR, One pint glass							1		F
-8	A5934-51	CLAMP (TIN)							2		F
-9	4143399-3	COVER ASSY							1		F
-10	1193851	OUTLET ASSY							1		F
-11	2209627-502	HOSE							1		F
-12	A3122-12-59	CLAMP (TIN)							1		F
-13	S022-3	CLAMP ASSY (HPL)							2		F
-14	2209627-508	HOSE							1		F
-15	AN748-30	CLAMP							2		F
-16	AN6-6A	BOLT							1		F
	AN960-616	WASHER							2		
	AN365-624	NUT							1		
-17	2209627-504	HOSE							1		
-18	AN878-8-72	HOSE							1		F
-19	A3122-14-59	CLAMP (TIN)							1		F
-20	2209458-502	PIPING							1		F
-21	2209458-504	PIPING							1		F
-22	2209458-508	PIPING							1		F
-23	A3122-14-59	CLAMP (TIN)							1		F
-24	2209458-506	PIPING							1		F
-25	2209627-510	HOSE							1		F
-26	No Number	HOSE, 1/2 ID by 4 in. long (make from hose Spec MIL-H-6000)							1		F
-27	A3122-14-59	CLAMP (TIN)							1		F
	5191080	VENT SYSTEM INSTL, Battery LH (see figure 29)							Ref		A,B
	5191080-1	VENT SYSTEM INSTL, Battery RH (see figure 29)							Ref		A,B
-27a	1127690	ADAPTER, Battery vent tube							2		A,B
-27b	COML	MASON JAR, One pint glass							1		A,B
-27c	A5934-51	CLAMP (TIN)							2		A,B
-27d	4143399-3	COVER ASSY							1		A,B
-27e	1193851	OUTLET ASSY							1		A,B
-27f	2209627-502	HOSE							1		A,B
-27g	A3122-12-59	CLAMP (TIN)							1		A,B
-27h	2209627-508	HOSE							1		A,B
-27i	AN737RM30	CLAMP							2		A,B
-27k	2209627-504	HOSE							1		A,B
-27l	No Number	HOSE, 1/2 ID by 72 in. long (make from hose Spec MIL-H-6000)							1		A,B
-27m	A3122-14-59	CLAMP (TIN)							1		A,B
-27n	2209458-502	PIPING							1		A,B
-27p	2209458-504	PIPING							1		A,B
-27q	2209458-508	PIPING							1		A,B
-27r	A3122-14-59	CLAMP (TIN)							1		A,B
-27s	2209458-506	PIPING							1		A,B
-27t	2209627-510	HOSE							1		A,B
-27u	No Number	HOSE, 1/2 ID by 4 in. long (make from hose Spec MIL-H-6000)							1		A,B
-27v	A3122-14-59	CLAMP (TIN)							1		A,B
	5193091	RECEPTACLE AND RELAY INSTL, External power (see figure 29)							Ref		C
-28	2192759	BUS BAR (ATTACHING PARTS)							1		C
-29	AN5-6A	BOLT							1		C
	AN960D516	WASHER							2		C
	AN365-624	NUT							1		C
	5193090	PANEL ASSY (ATTACHING PARTS)							1		C
-30	AN3-10A	BOLT							4		C
	AN960-10	WASHER							4		C
	AN365-1032	NUT							4		C
-31	5193090-2	PANEL							1		C
-32	42B6927	ADAPTER (GFP)							1		C
-33	4192959	CASE ASSY (ATTACHING PARTS)							1		C
-34	AN515-8-14	SCREW							3		C
	AN960D8	WASHER							6		C
	AN365-832	NUT							3		C
-35	42B3748	RECEPTACLE, Ground power (GFP)							1		C
-36	AN510-10-22	SCREW							2		C
	AN960D10	WASHER							2		C
	AN365-1032	NUT							2		C
-37	4193468	BOX ASSY (ATTACHING PARTS)							1		C
-38	AN3-10A	BOLT							2		C

Group Assembly Parts List

FIGURE & INDEX NO.	PART NO.	1	2	3	4	5	6	7	DESCRIPTION	UNITS PER ASSY	USABLE ON CODE
31-	AN960D10 AN365-1032								WASHER..... NUT.....	2 2	C C
-39									RELAY, Type B-4 (US ARMY Spec 94032324-A) (ATTACHING PARTS)	1	C
-40	AN4-11A AN960-416 AN365-428								BOLT..... WASHER..... NUT.....	2 2 2	C C C
-41	3202701								BUS BAR.....	1	
-42	NAS43HT2-32								SPACER (formerly 117425-25016).....	3	C
-43	NAS43HT3-32								SPACER (formerly 117425-35016).....	8	C
-44	NAS43HT4-32 5204001 3127715								SPACER (formerly 117425-45016)..... RELAY INSTL, External power (see figure 29) PLATE ASSY.....	2 Ref 1	C C D E
-45									RELAY, Type B-4 (US ARMY Spec 98-32324)	1	D E
-46									SCREW.....	2	D E
-47	AN520-10-10 AN960D10 5204000								WASHER..... RECEPTACLE AND ADAPTER INSTL, External power (see figure 29)	2 Ref	D E D
	5207269								RECEPTACLE AND ADAPTER INSTL, External power (see figure 29)	Ref	E F
	4204137 4207243								DOOR ASSY, External power receptacle DOOR ASSY, External power receptacle	1 1	
-48									SPRING, External power receptacle door LH.....	1	
-49	2207244 2207244-1								SPRING, External power receptacle door RH.....	1	
-50	2207359								SPACER.....	1	
-51	2207358								STOP.....	1	
-52	4207262								SHIELD ASSY.....	1	
-53	2278359								BUS BAR.....	1	
-54	2276203								BUS BAR..... (ATTACHING PARTS)	1	
-55	AN5-5A AN960-516								BOLT..... WASHER.....	1 1	
-56	42B4738								RECEPTACLE, External power..... (ATTACHING PARTS)	1	
-57	AN520-10-16 AN960D10L								SCREW..... WASHER.....	2 2	
-58	2207334								BRACKET.....	1	
-59	4192959								CASE ASSY..... (ATTACHING PARTS)	1	
-60	AN530-8R8 AN960-8 A1778-8Z1								SCREW..... WASHER..... NUT (TIN).....	3 3 3	
-61	42B6927								ADAPTER (GFP).....	1	
-62	AN515-8-12 AN960D8L AN365-832								SCREW..... WASHER..... NUT.....	2 4 2	
	5123909								BATTERY INSTL, Nacelle LH (see figure 29)	Ref	A
	5123909-1								BATTERY INSTL, Nacelle RH (see figure 29)	Ref	B
	5205747								BATTERY INSTL, Nacelle LH (see figure 29)	Ref	A
	5205747-1								BATTERY INSTL, Nacelle RH (see figure 29)	Ref	B
-63	AN3150-2 5123076 5123076-1 5123076-6 5123076-7								BATTERY, Type G1 (GFP)..... SUPPORT ASSY, Nacelle battery LH..... SUPPORT ASSY, Nacelle battery RH..... SUPPORT ASSY, Battery tray outbd LH..... SUPPORT ASSY, Battery tray outbd RH.....	1 1 1 1 1	G G G G G
-64	5123076-6								SUPPORT ASSY, Battery tray outbd LH.....	1	G
-65	5123076-7 1125837 AN350-1032 1125810 1125820 1125820								BOLT, Nacelle battery hold down..... NUT..... ROD, Battery support locking..... SPRING, Battery support locking.....	2 2 2 2	G G G G
-66	2126676								SUPPORT, Battery guide tube.....	2	G
-67	110674								CLIP, Nacelle battery guide tube.....	2	G
-68	AN3-17A								BOLT.....	4	G
-69	1125894 2033900-10S049-011								SPACER, Battery support..... TUBE, Chromium molybdenum steel.....	2 1	G G
-70	1190675								GUARD, Nacelle battery arresting pulley.....	2	G
-71	2155013								PULLEY, Nacelle battery arresting.....	1	G
-72	AN4-14 177213-250-500-671								BOLT..... BUSHING, Needle bearing hardened.....	1 1	G G
-73	2155012								CORD ASSY, Nacelle battery arresting.....	1	G
-74	AN520-10-8 AN364-1032 1204873 1190676								SCREW..... NUT..... SPACER, Nacelle battery guide support..... SPACER, Nacelle battery arresting anchor.....	4 4 2 2	G G G G
	AN526-1032-14 143908-009M100-064								SCREW..... WASHER.....	2 2	G G
-75	4205376 143908-009D100-094 143908-008S024-032								RETAINER ASSY, Nacelle battery overflow control..... WASHER..... WASHER.....	1 1 1	B G G

FIGURE & INDEX NO.	PART NO.	1 2 3 4 5 6 7 DESCRIPTION	UNITS PER ASSY	USABLE ON CODE
31-		A USAF 41-39100 thru 41-39107 43-22252 and 43-22253 B USAF 41-39100 thru 41-39599 43-22254 thru 43-22751 44-35198 thru 44-35655 C USAF 41-39100 thru 41-39119 43-22252 thru 43-22260 D USAF 41-39120 thru 41-39299 43-22261 thru 43-22399 43-22467 thru 43-22493 E USAF 41-39300 thru 41-39599 43-22400 thru 43-22466 43-22494 thru 43-22751 44-35198 thru 44-35655 F USAF 44-34098 thru 44-35199 44-35656 thru 44-35996 G USAF 41-39100 thru 41-39599 43-22252 thru 43-22751 44-35198 thru 44-35655		

WING

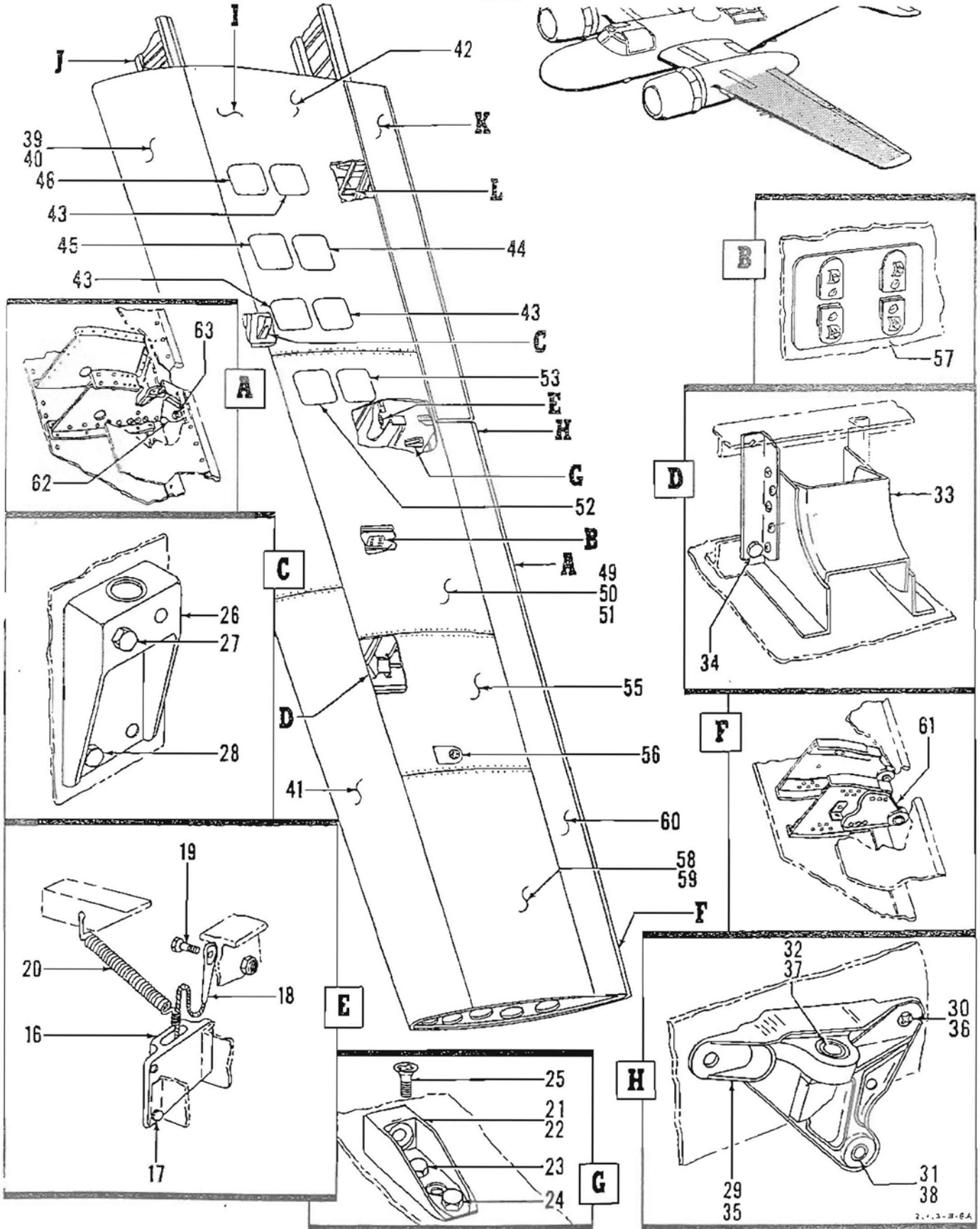
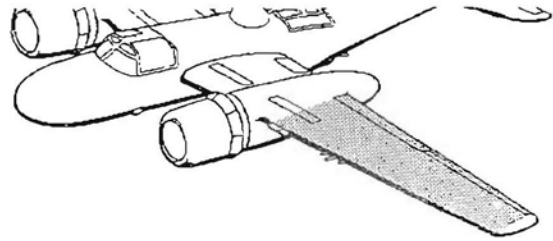


Figure 32. Trailing Edge Outboard LH and RH Structure Installation (Sheet 1 of 2)

Section II
Group Assembly Parts List

T. O. 1B-26B-4
WING

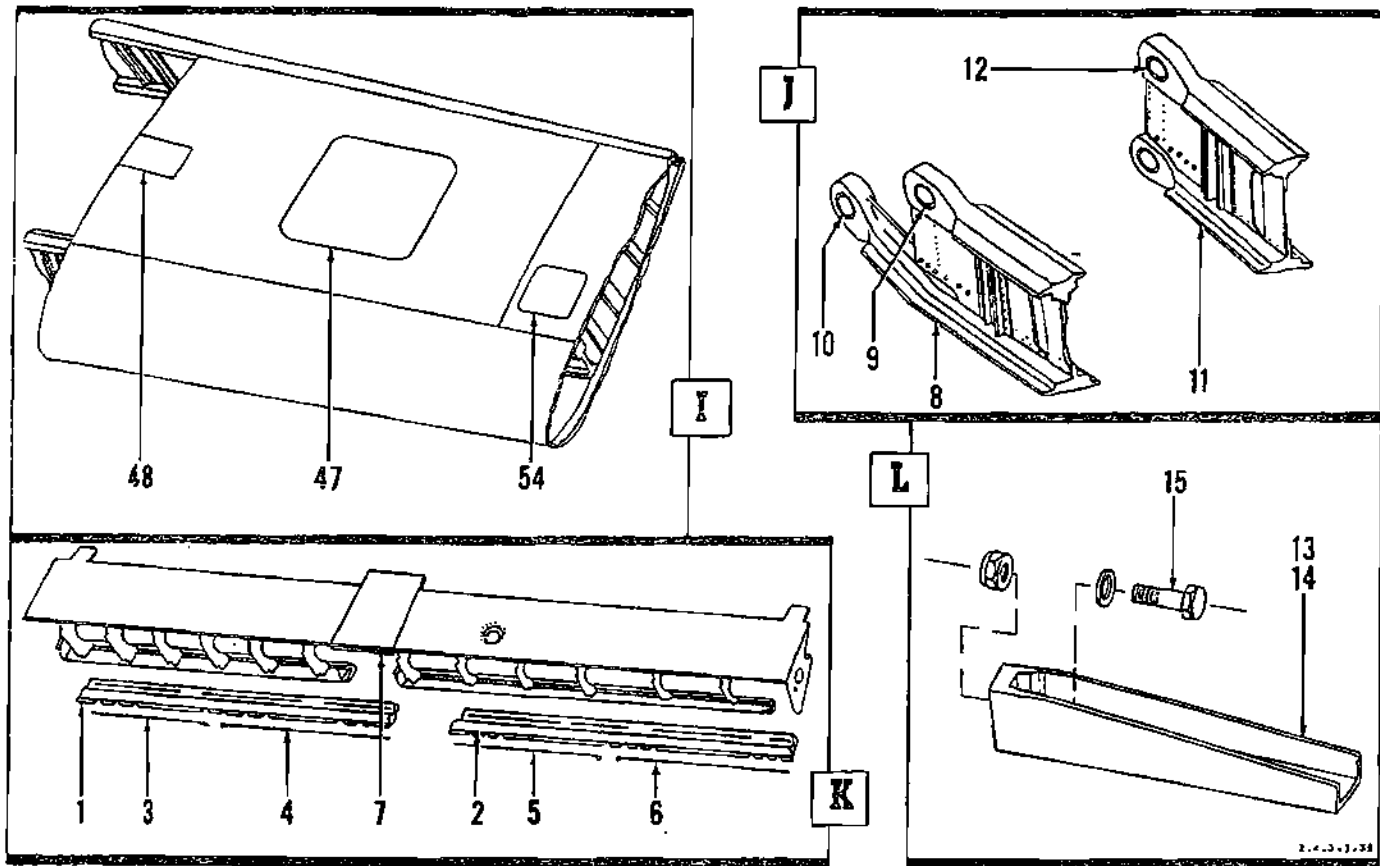


Figure 32. Trailing Edge Outboard LH and RH Structure Installation (Sheet 2 of 2)

FIGURE & INDEX NO.	PART NO.								DESCRIPTION	UNITS PER ASSY	USABLE ON CODE
		1	2	3	4	5	6	7			
32-	5155387								STRUCTURE ASSY, INSTL, Trailing edge outboard LH (see figure 3)	Ref	
	5155387-1								STRUCTURE ASSY, INSTL, Trailing edge outboard RH (see figure 3)	Ref	
-1	5128538								DOOR ASSY, Outboard flap inboard LH	1	
	5128538-1								DOOR ASSY, Outboard flap inboard RH	1	
-2	5128557								DOOR ASSY, Outboard flap outboard LH	1	
	5128557-1								DOOR ASSY, Outboard flap outboard RH	1	
-3	1000759S120-3200								PIN, Hood hinge	1	
-4	1000759S120-3105								PIN, Hood hinge	1	
-5	1000759S120-2705								PIN, Hood hinge	1	
-6	1000759S120-3016								PIN, Hood hinge	1	
-7	5155387-34								SEAL, Outboard trailing edge	1	
	5153020								STRUCTURE ASSY, Wing panel outboard LH (see figures 6 and 33)	Ref	A
	5153020-1								STRUCTURE ASSY, Wing panel outboard RH (see figures 6 and 33)	Ref	A
	5208913								STRUCTURE ASSY, Wing panel outboard LH (see figures 6 and 33)	Ref	B
	5208913-1								STRUCTURE ASSY, Wing panel outboard RH (see figures 6 and 33)	Ref	B
	5209606								STRUCTURE ASSY, Wing panel outboard LH (see figures 6 and 33)	Ref	C
	5209606-1								STRUCTURE ASSY, Wing panel outboard RH (see figures 6 and 33)	Ref	C
-8	5153014								SPAR ASSY, Wing front LH	1	
	5153014-1								SPAR ASSY, Wing front RH	1	
-9	1193214								BUSHING, Front spar upper inboard fitting	1	
-10	1125823								BUSHING, Front spar lower inboard fitting	1	
-11	5153017								SPAR ASSY, Wing rear LH	1	
	5153017-1								SPAR ASSY, Wing rear RH	1	
-12	1127755								BUSHING, Rear spar inboard fitting upper and lower	2	
	5157772								BULKHEAD ASSY, Wing sta 205 front to rear spar LH (Interchangeable with part number 5205882)	1	B
	5157772-1								BULKHEAD ASSY, Wing sta 205 front to rear spar RH (Interchangeable with part number 5205882-1)	1	B
	5209563								BULKHEAD ASSY, Wing sta 180 front to rear spar LH	1	C
	5209563-1								BULKHEAD ASSY, Wing sta 180 front to rear spar RH	1	C
	5205882								BULKHEAD ASSY, Wing sta 205 front to rear spar LH (Interchangeable with part number 5157772)	1	A
	5205882-1								BULKHEAD ASSY, Wing sta 205 front to rear spar RH (Interchangeable with part number 5157772-1)	1	A
	5209564								BULKHEAD ASSY, Wing sta 205 front to rear spar LH	1	C
	5209564-1								BULKHEAD ASSY, Wing sta 205 front to rear spar RH	1	C

FIGURE & INDEX NO	PART NO.	1	2	3	4	5	6	7	DESCRIPTION	UNITS PER ASSY	USABLE ON CODE
32-13	4127536								FITTING, Wing flap hinge support sta 205 upper LH	1	
	4127536-1								FITTING, Wing flap hinge support sta 205 upper RH	1	
-14	4127537								FITTING, Wing flap hinge support sta 205 lower LH	1	
	4127537-1								FITTING, Wing flap hinge support sta 205 lower RH	1	
									(ATTACHING PARTS)		
-15	AN4-7A								BOLT	2	
	AN960D416								WASHER	2	
	AN365-428								NUT	2	
	5157770								BULKHEAD ASSY, Wing sta 273 front to rear spar LH	1	A, B
	5157770-1								BULKHEAD ASSY, Wing sta 273 front to rear spar RH	1	A, B
	5209562								BULKHEAD ASSY, Wing sta 273 front to rear spar LH	1	C
	5209562-1								BULKHEAD ASSY, Wing sta 273 front to rear spar RH	1	C
-16	1125944								FITTING, Wing tie down attaching cable outboard panel	1	
									(ATTACHING PARTS)		
-17	AN3-5A								BOLT	4	
	AN560D10								WASHER	4	
	AN365-1032								NUT	4	
-18	2126636								CABLE ASSY, Wing mooring	1	
									(ATTACHING PARTS)		
-19	AN4-7A								BOLT	1	
	AN365-428								NUT	1	
-20	150								SPRING, 20 gage (CSC)	1	
-21	2126790-2								FITTING, Flap hinge sta 273 LH	1	
	2126790-3								FITTING, Flap hinge sta 273 RH	1	
-32	2126790-5								FITTING, Flap hinge sta 273 RH (used on 5155387)	1	
	2126790-4								FITTING, Flap hinge sta 273 LH (used on RH wing)	1	
									(ATTACHING PARTS)		
-23	AN4-6A								BOLT	4	
	AN960D416								WASHER	4	
-24	AN5-6A								BOLT	2	
	AN960D516								WASHER	2	
-25	1029421-416-12								SCREW, Flathead 100° recessed	2	
	5209565								BULKHEAD ASSY, Wing sta 241 front to rear spar LH	1	C
	5209565-1								BULKHEAD ASSY, Wing sta 241 front to rear spar RH	1	C
-26	4209518								FITTING, Wing hoist LH	1	C
	4209518-1								FITTING, Wing hoist RH	1	C
									(ATTACHING PARTS)		
-27	AN4-21A								BOLT	2	C
	AN960-416								WASHER	2	C
	AN365-428								NUT	2	C
-28	AN4-10A								BOLT	4	C
	AN960-416								WASHER	4	C
	AN365-428								NUT	4	C
	4159561								BULKHEAD ASSY, Wing sta 276 aileron hinge LH	1	A
	4159560								BULKHEAD ASSY, Wing sta 276 aileron hinge RH	1	B
-29	4123635								FITTING ASSY, Aileron hinge LH	1	A
	4123724								FITTING ASSY, Aileron hinge RH	1	B
									(ATTACHING PARTS)		
-30	ANS09-416R12								SCREW (formerly 1029421-416-13)	3	
	AN960-416								WASHER	3	
	AN365-428								NUT	3	
-31	AN200K4								BEARING	1	A, B
-32	A865-5								BEARING, Oilite (AXD)	1	A
-33	2208448								SUPPORT ASSY, Inboard tank bottom front LH	1	B, C
	2208448-1								SUPPORT ASSY, Inboard tank bottom front RH	1	B, C
									(ATTACHING PARTS)		
-34	AN3-13								BOLT	4	B, C
	NAS43DD3-18								SPACER (formerly 137415-3D009)	4	B, C
	AN960D10								WASHER	4	B, C
	AN365-1032								NUT	4	B, C
	4208995								BULKHEAD ASSY, Wing sta 276 aileron hinge LH	1	B, C
-35	4208988								FITTING ASSY, Aileron hinge RH	1	B, C
									(ATTACHING PARTS)		
-36	ANS09-416R12								SCREW (formerly 1029421-416-13)	3	B, C
	AN960-416								WASHER	3	B, C
	AN365-428								NUT	3	B, C
-37	L55								BEARING, Ball (HEC)	1	B, C
-38	AN200K4								BEARING	1	B, C
-39	5190542								STRUCTURE ASSY, Wing sta 180 to 314 nose LH	1	A, B
	5190542-1								STRUCTURE ASSY, Wing sta 180 to 314 nose RH	1	A, B
-40	5209607								STRUCTURE ASSY, Wing sta 180 to 314 nose LH	1	C
	5209607-1								STRUCTURE ASSY, Wing sta 180 to 314 nose RH	1	C
-41	5190541								STRUCTURE ASSY, Wing sta 314 to 404 nose LH	1	
	5190541-1								STRUCTURE ASSY, Wing Sta 314 to 404 nose RH	1	
	5190545								PANEL ASSY, Wing sta 180 to 258 front to rear spar	1	A, B
	5190545-1								upper skin LH		
									PANEL ASSY, Wing sta 180 to 258 front to rear spar	1	A, B
									upper skin RH		

Section II
Group Assembly Parts List

T. O. 1B-26B-4

FIGURE & INDEX NO.	PART NO.	DESCRIPTION							UNITS PER ASSY	USABLE ON CODE
		1	2	3	4	5	6	7		
32-	5209608	PANEL ASSY, Front to rear spar upper skin sta 180 to 241 LH.....							1	C
	5209608-1	(see figure 35) PANEL ASSY, Front to rear spar upper skin sta 180 to 241 RH.....							1	C
-42	5190545-816	PANEL ASSY, Wing front to rear spar removable RH.....							1	A, B
	5190545-817	PANEL ASSY, Wing front to rear spar removable RH.....							1	A, B
		(ATTACHING PARTS)								
	1029421-10-12	SCREW, Flathead 100° recessed.....							75	
	1029421-10-14	SCREW, Flathead 100° recessed.....							45	
	1029421-10-10	SCREW, Flathead 100° recessed.....							19	
	1029421-10-8	SCREW, Flathead 100° recessed.....							64	
	ANS09-416R15	SCREW (formerly 1029421-416-16).....							2	
-43	4206675	COVER ASSY, Ammunition loading forward inboard LH.....							3	A, B
	4206675-1	COVER ASSY, Ammunition loading forward inboard RH.....							3	A, B
-44	4203595	COVER ASSY, Ammunition loading aft LH.....							1	A, B
	4203595-1	COVER ASSY, Ammunition loading aft RH.....							1	A, B
-45	4143065	COVER ASSY, Ammunition loading.....							1	A, B
	4143065-1	COVER ASSY, Ammunition loading.....							1	A, B
-46	4203598	COVER ASSY, Ammunition loading forward inboard LH.....							1	A, B
	4203598-1	COVER ASSY, Ammunition loading forward inboard RH.....							1	A, B
-47	5275597	DOOR ASSY, Wing gun access LH (see figure 35).....							1	A, C
	5275597-1	DOOR ASSY, Wing gun access RH (see figure 35).....							1	C
	5278896	DOOR ASSY, Wing gun access LH (see figure 35).....							1	C
	5278896-1	DOOR ASSY, Wing gun access RH (see figure 35).....							1	C
-48	5276190	DOOR ASSY, Gun ammunition inboard wing LH.....							1	C
	5276190-1	DOOR ASSY, Gun ammunition inboard wing RH.....							1	C
-49	5190544	PANEL ASSY, Wing sta 258 to 335 front to rear spar upper skin LH.....							1	A
	5190544-1	PANEL ASSY, Wing sta 258 to 335 front to rear spar upper skin RH.....							1	A
-50	5208891	PANEL ASSY, Wing sta 258 to 325 front to rear spar upper skin LH.....							1	B
	5208891-1	PANEL ASSY, Wing sta 258 to 325 front to rear spar upper skin RH.....							1	B
-51	5209609	PANEL ASSY, Wing sta 241 to 325 front to rear spar upper skin LH.....							1	C
	5209609-1	PANEL ASSY, Wing sta 241 to 325 front to rear spar upper skin RH.....							1	C
-52	4203596	COVER ASSY, Ammunition loading forward outboard LH.....							1	A, B
	4203596-1	COVER ASSY, Ammunition loading forward outboard RH.....							1	A, B
-53	4203597	COVER ASSY, Ammunition loading aft outboard LH.....							1	A, B
	4203597-1	COVER ASSY, Ammunition loading aft outboard RH.....							1	A, B
-54	5276188	DOOR ASSY, Gun ammunition outboard wing LH.....							1	C
	5276188-1	DOOR ASSY, Gun ammunition outboard wing RH.....							1	C
-55	5208985	PANEL ASSY, Wing sta 325 to 360 upper removable LH.....							1	B, C
	5208985-1	PANEL ASSY, Wing sta 325 to 360 upper removable RH.....							1	B, C
		(ATTACHING PARTS)								
	1029421-10-13	SCREW, Flathead 100° recessed.....							19	B, C
	ANS09-10R16	SCREW (formerly 1029421-10-17).....							18	B, C
	1029421-10-8	SCREW, Flathead 100° recessed.....							56	B, C
	1029421-10-14	SCREW, Flathead 100° recessed.....							1	B, C
	1029421-10-12	SCREW, Flathead 100° recessed.....							20	B, C
	ANS09-10R14	SCREW (formerly 1029421-10-15).....							15	B, C
	AN365-1032	NUT.....							15	B, C
-56	4209077	DOOR ASSY, Water injection tank filler.....							1	B, C
-57	2209250	DOOR ASSY, Water tank strainer and outlet.....							1	C
-58	5190543	PANEL ASSY, Wing sta 335 to 404 front to rear spar upper skin LH.....							1	A
	5190543-1	PANEL ASSY, Wing sta 335 to 404 front to rear spar upper skin RH.....							1	A
-59	5208893	PANEL ASSY, Wing sta 360 to 404 front to rear spar upper skin LH.....							1	B, C
	5208893-1	PANEL ASSY, Wing sta 360 to 404 front to rear spar upper skin RH.....							1	B, C
-60	5190540	PANEL ASSY, Wing sta 273 to 404 trailing edge upper skin LH.....							1	
	5190540-1	PANEL ASSY, Wing sta 273 to 404 trailing edge upper skin RH.....							1	
	4278810	BULKHEAD ASSY, Aileron outboard hinge wing LH Sta 404.....							1	
	4278810-1	BULKHEAD ASSY, Aileron outboard hinge wing RH Sta 404.....							1	
-61	4278674	FITTING ASSY, Aileron LH Sta 404.....							1	A, B, C
	4278674-1	FITTING ASSY, Aileron RH Sta 404.....							1	A, B, C
		(ATTACHING PARTS)								
	1029421-416-11	SCREW, Flathead 100 deg recessed.....							2	A, B, C
	AN365-428	NUT.....							2	A, B, C
	4278811	BULKHEAD ASSY, Aileron outboard hinge wing LH Sta 325.....							1	
	4278811-1	BULKHEAD ASSY, Aileron outboard hinge wing RH Sta 325.....							1	
-62	4123700	FITTING ASSY, Aileron hinge LH Sta 325.....							1	A, B, C
	4123700-1	FITTING ASSY, Aileron hinge RH Sta 325.....							1	A, B, C
-63	RBC5	BEARING, Needle roller.....							1	A, B, C
		A USAF 41-39100 thru 41-39599								
		B USAF 44-34098 thru 44-34217								
		43-29252 thru 43-22751								
		44-35656 thru 44-35937								
		44-35198 thru 44-35655								
		C USAF 44-34218 thru 44-35197								
		44-35938 thru 44-35996								

WING

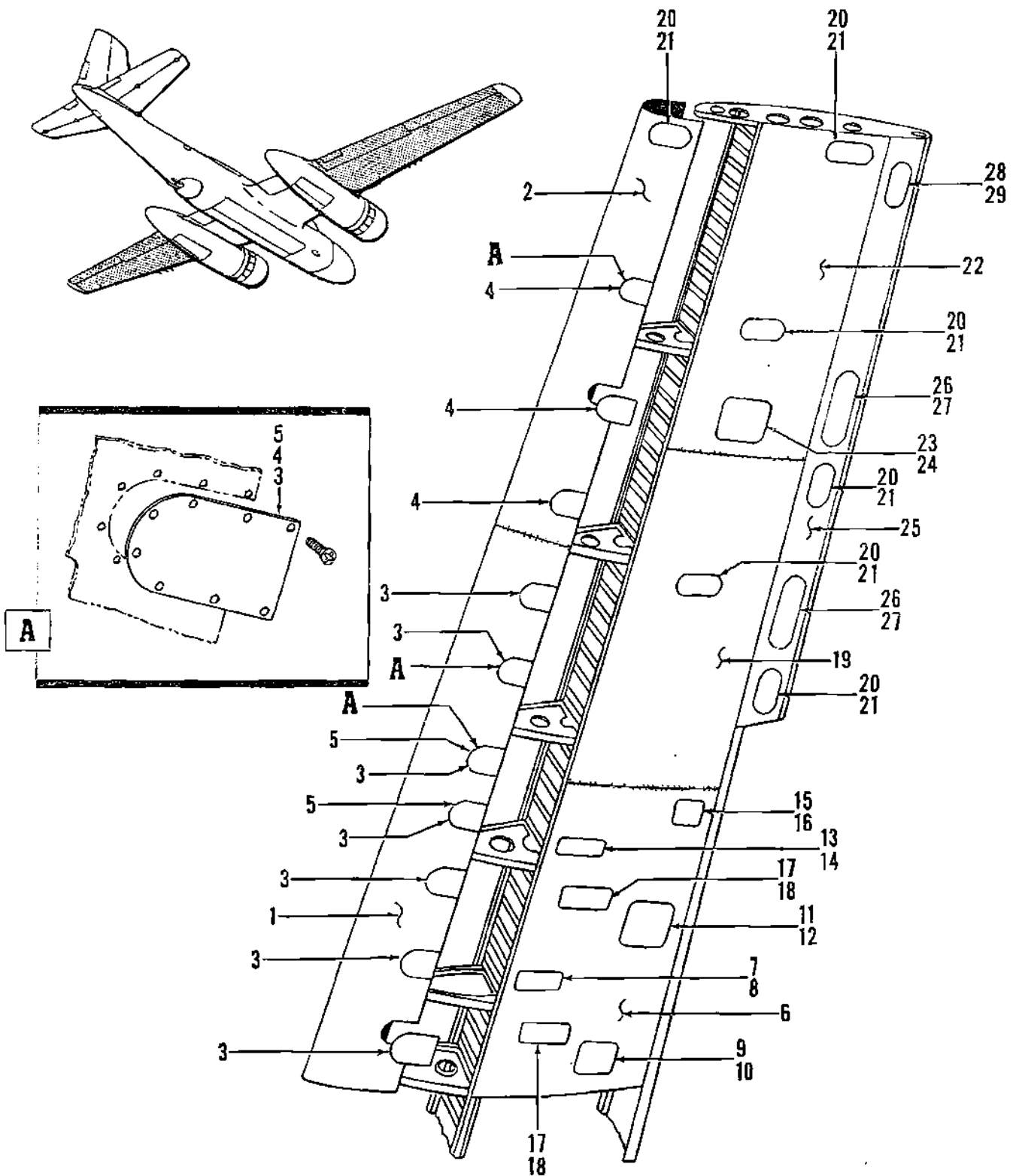


Figure 33. Wing Panel Outboard LH and RH Structure Assembly

Section II
Group Assembly Parts List

T.O. 1B-26B-4

FIGURE & INDEX NO.	PART NO.	1 2 3 4 5 6 7	DESCRIPTION	UNITS PER ASSY	USABLE ON CODE
33-	5153020		STRUCTURE ASSY, Wing panel outboard LH (see figures 6 and 32)	Ref	A
	5153020-1		STRUCTURE ASSY, Wing panel outboard RH (see figures 6 and 32)	Ref	A
	5208913		STRUCTURE ASSY, Wing panel outboard LH (see figures 6 and 32)	Ref	B
	5208913-1		STRUCTURE ASSY, Wing panel outboard RH (see figures 6 and 32)	Ref	B
	5209606		STRUCTURE ASSY, Wing panel outboard LH (see figures 6 and 32)	Ref	C
	5209606-1		STRUCTURE ASSY, Wing panel outboard RH (see figures 6 and 32)	Ref	C
-1	5190542		STRUCTURE ASSY, Wing sta 180 to 314 nose LH	1	A,B
	5190542-1		STRUCTURE ASSY, Wing sta 180 to 314 nose RH	1	A,B
	5209607		STRUCTURE ASSY, Wing sta 180 to 314 nose LH	1	C
	5209607-1		STRUCTURE ASSY, Wing sta 180 to 314 nose RH	1	C
-2	5190541		STRUCTURE ASSY, Wing sta 314 to 404 nose LH	1	
	5190541-1		STRUCTURE ASSY, Wing sta 314 to 404 nose RH	1	
-3	4192874		COVER, Nose access LH (three used on 5209606)	7	
	4192874-1		COVER, Nose access RH (three used on 5209606-1)	7	
-4	4192872		COVER, Nose access	3	
			(ATTACHING PARTS)		
	1029421-10-14		SCREW, Flathead 100° recessed	AR	
	1029421-10-10		SCREW, Flathead 100° recessed	AR	
	AN509-10R8		SCREW (formerly 1029421-10-9)	AR	
-5	4278378		COVER, Outboard wing nose access sta 258	2	C
			(ATTACHING PARTS)		
	1029421-10-14		SCREW, Flathead 100° recessed	4	C
	1029421-10-10		SCREW, Flathead 100° recessed	3	C
	AN509-10R8		SCREW (formerly 1029421-10-9)	2	C
-6	5209610		PANEL ASSY, Wing sta 180 to 263 front to rear spar lower LH	1	C
	5209610-1		PANEL ASSY, Wing sta 180 to 263 front to rear spar lower RH	1	C
	5190539		PANEL ASSY, Wing sta 180 to 263 front to rear spar lower LH	1	A,B
	5190539-1		PANEL ASSY, Wing sta 180 to 263 front to rear spar lower RH	1	A,B
-7	2143271		DOOR, Ammunition chute forward inboard	1	A,B
			(ATTACHING PARTS)		
-8	1029421-10-8		SCREW, Flathead 100° recessed	6	A,B
-9	4143046		COVER, Outboard wing inboard access	1	A,B
			(ATTACHING PARTS)		
-10	1029421-10-10		SCREW, Flathead 100° recessed	14	A,B
-11	4192870		COVER, Outboard wing inboard access	1	A,B
			(ATTACHING PARTS)		
-12	1029421-10-10		SCREW, Flathead 100° recessed	16	A,L
-13	2142956		COVER, Ammunition chute forward	1	A,B
			(ATTACHING PARTS)		
-14	1029421-10-8		SCREW, Flathead 100° recessed	4	A,B
-15	2203098		COVER, Wing sta 258 access door	1	A,B
			(ATTACHING PARTS)		
-16	1029421-10-8		SCREW, Flathead 100° recessed	8	A,B
-17	2142957		COVER, Ammunition chute aft	2	A,B
			(ATTACHING PARTS)		
-18	1029421-10-8		SCREW, Flathead 100° recessed	6	A,B
-19	5209207		PANEL ASSY, Wing sta 263 to 335 front to rear spar LH	1	B,C
	5209207-1		PANEL ASSY, Wing sta 263 to 335 front to rear spar RH	1	B,C
	5190538		PANEL ASSY, Wing sta 263 to 335 front to rear spar lower LH	1	A
	5190538-1		PANEL ASSY, Wing sta 263 to 335 front to rear spar lower RH	1	A
-20	4192843		DOOR, Outboard wing access small	6	
			(ATTACHING PARTS)		
-21	1029421-10-8		SCREW, Flathead 100° recessed	8	
-22	5209089		PANEL ASSY, Wing sta 335 to 404 front to rear spar LH	1	B,C
	5209089-1		PANEL ASSY, Wing sta 335 to 404 front to rear spar RH	1	B,C
	5190537		PANEL ASSY, Wing sta 335 to 404 front to rear spar lower LH	1	A,B
	5190537-1		PANEL ASSY, Wing sta 335 to 404 front to rear spar lower RH	1	A,B
-23	4192869		COVER, Outboard wing access	1	A,B
			(ATTACHING PARTS)		
-24	1029421-10-10		SCREW, Flathead 100° recessed	16	A,B
-25	5190536		PANEL ASSY, Wing sta 273 to 404 trailing edge lower LH	1	
	5190536-1		PANEL ASSY, Wing sta 273 to 404 trailing edge lower RH	1	
-26	4196916		DOOR, Outboard wing trailing edge	2	
			(ATTACHING PARTS)		
-27	1029421-10-8		SCREW, Flathead 100° recessed	8	
-28	4192850		DOOR, Outboard trailing edge access	1	
			(ATTACHING PARTS)		
-29	1029421-10-8		SCREW, Flathead 100° recessed	8	
			A USAF 41-39100 thru 41-39599 43-22252 thru 43-22751 44-35198 thru 44-35655		
			B USAF 44-34098 thru 44-34217 44-35656 thru 44-35937		
			C USAF 44-34218 thru 44-35197 44-35938 thru 44-35996		

WING

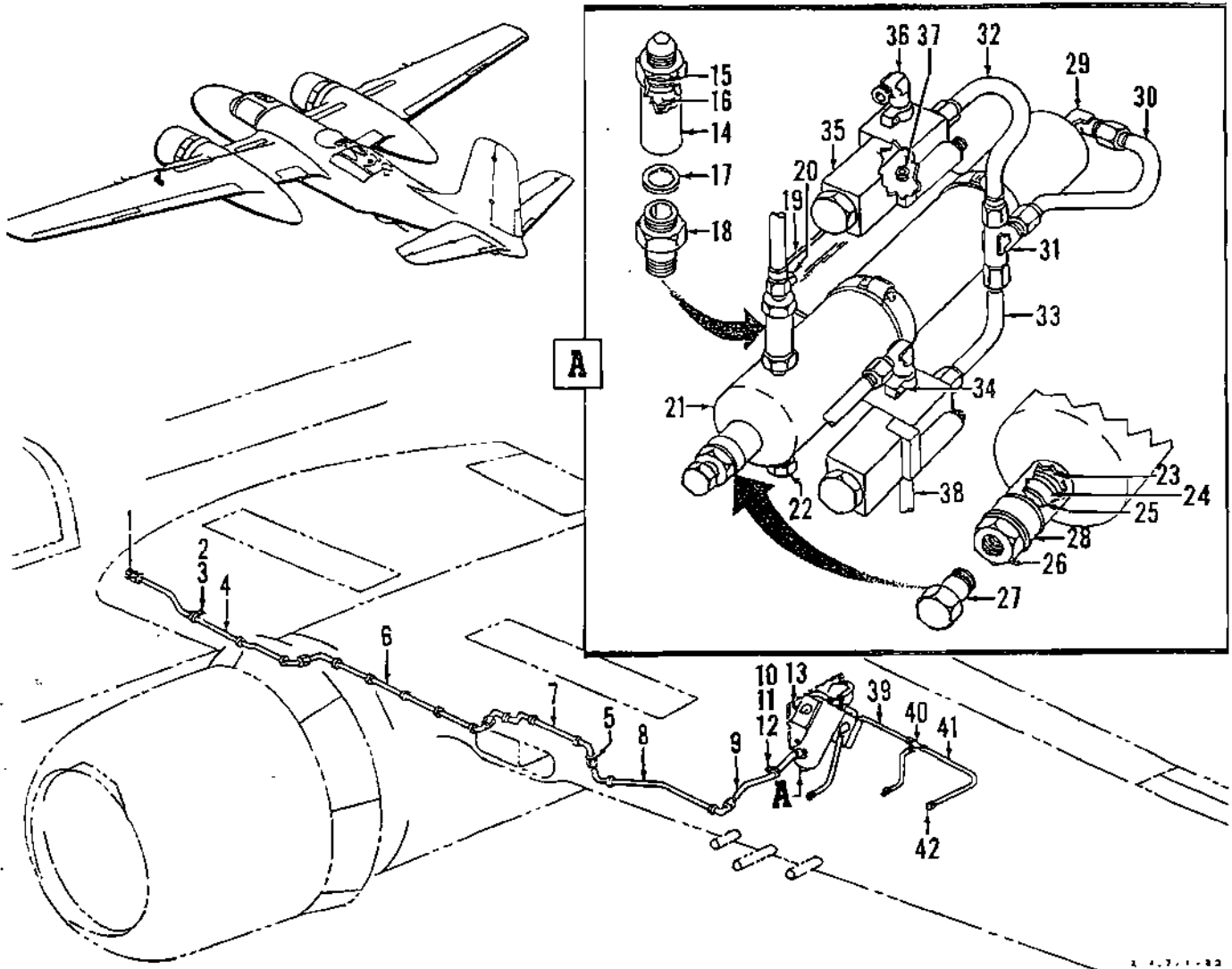


Figure 34. Wing Fixed Gun LH and RH Pneumatic System Installation

FIGURE & INDEX NO.	PART NO.	1 2 3 4 5 6 7	DESCRIPTION	UNITS PER ASSY	USABLE ON CODE
34	5275984		PNEUMATIC SYSTEM INSTL, Wing fixed gun LH (see figure 27)	Ref	A
	5275984-1		PNEUMATIC SYSTEM INSTL, Wing fixed gun RH (see figure 27)	Ref	A
-1	AN832-4D		UNION	2	A
	AN924-4D		NUT	2	A
-2	A2981-4		CLAMP (TIN)	9	A
-3	AN530-8-8		SCREW	9	A
-4	4276023-500		PIPE ASSY, Pneumatic LH	1	A
	4276023-518		PIPE ASSY, Pneumatic RH	1	A
-5	AN815-4D		UNION	3	A
-6	4276023-502		PIPE ASSY, Pneumatic LH	1	A
	4276023-520		PIPE ASSY, Pneumatic RH	1	A
-7	4276023-504		PIPE ASSY, Pneumatic LH	1	A
	4276023-522		PIPE ASSY, Pneumatic RH	1	A
-8	4276023-506		PIPE ASSY, Pneumatic LH	1	A
	4276023-524		PIPE ASSY, Pneumatic RH	1	A
-9	4276023-508		PIPE ASSY, Pneumatic LH	1	A
	4276023-526		PIPE ASSY, Pneumatic RH	1	A
-10	A6246-8Z3		CLIP (TIN)	5	A
-11	AN742-4		CLAMP	5	A
-12	AN530-8-8		SCREW	5	A
	4277113		PANEL ASSY	1	A
			(ATTACHING PARTS)		

Section II
Group Assembly Parts List

T. O. 1B-26B-4

FIGURE & INDEX NO.	PART NO.	1	2	3	4	5	6	7	DESCRIPTION	UNITS PER ASSY	USABLE ON CODE
34-13	AN4-5A AN960-416 AN365-428								BOLT WASHER NUT	4 4 4	A A A
-14	W1450G1-8								VALVE ASSY, Air check (WTR).....	1	A
-15	W1450G1-83								BODY, Check valve (WTR).....	1	A
-16	AN6227-3								PACKING.....	1	A
-17	W500-4D4								POPPET (WTR).....	1	A
-18	W510-4D7								WASHER (WTR).....	1	A
-19	W1450G1-82								NIPPLE (WTR).....	1	A
-20	4209642								BRACKET, Pneumatic gun charger air tank (ATTACHING PARTS)	1	A
-21	AN4-5A AN960-416 AN635-428								BOLT WASHER NUT	4 4 4	A A A
-22	31G100								TANK ASSY, Pressure (CNL).....	1	A
-23	31E106								TANK ASSY, (CNL).....	1	A
-24	31B140								VALVE ASSY, Pressure relief (CNL).....	1	A
-25	31A110								SEAT, Drain valve (CNL).....	1	A
-26	31A113								SPACER, Drain valve (CNL).....	1	A
-27	31A112								WASHER, Fiber lock (CNL).....	1	A
-28	31A109								ADAPTER, Drain valve (CNL).....	1	A
-29	31A108								PLUG, Drain (CNL).....	1	A
-30	31A161								CLIP, Locking (CNL).....	1	A
-31	AN822-4								ELBOW.....	1	A
-32	4276023-510								PIPE ASSY, Pneumatic LH.....	1	A
-33	4276023-528								PIPE ASSY, Pneumatic RH.....	1	A
-34	AN824-4								TEE.....	1	A
-35	4276023-512								PIPE ASSY, Pneumatic LH.....	1	A
-36	4276023-530								PIPE ASSY, Pneumatic RH.....	1	A
-37	4276023-514								PIPE ASSY, Pneumatic LH.....	1	A
-38	4276023-532								PIPE ASSY, Pneumatic RH.....	1	A
-39	79449								VALVE ASSY, Solenoid (WK) (ATTACHING PARTS)	2	A
-40	AN520-10-24 AN365-1032								SCREW NUT	4 4	A A
-41	79465								VALVE ASSY, Solenoid (WK).....	1	A
-42	AN822-3								ELBOW.....	3	A
	AN913-15								PLUG.....	1	A
	MS28741-3-0150								HOSE ASSY, Detachable swivel end hydraulic.....	1	A
	4276023-516								PIPE ASSY, Pneumatic LH.....	1	A
	4276023-534								PIPE ASSY, Pneumatic RH.....	1	A
	AN834-3D								TEE.....	1	A
	AN924-3D								NUT.....	1	A
	MS28741-3-0250								HOSE ASSY.....	1	A
	30816								FITTING ASSY, Quick break (WK).....	3	A
A USAF 44-24213 thru 44-35197											
44-35938 thru 44-35996											

WING

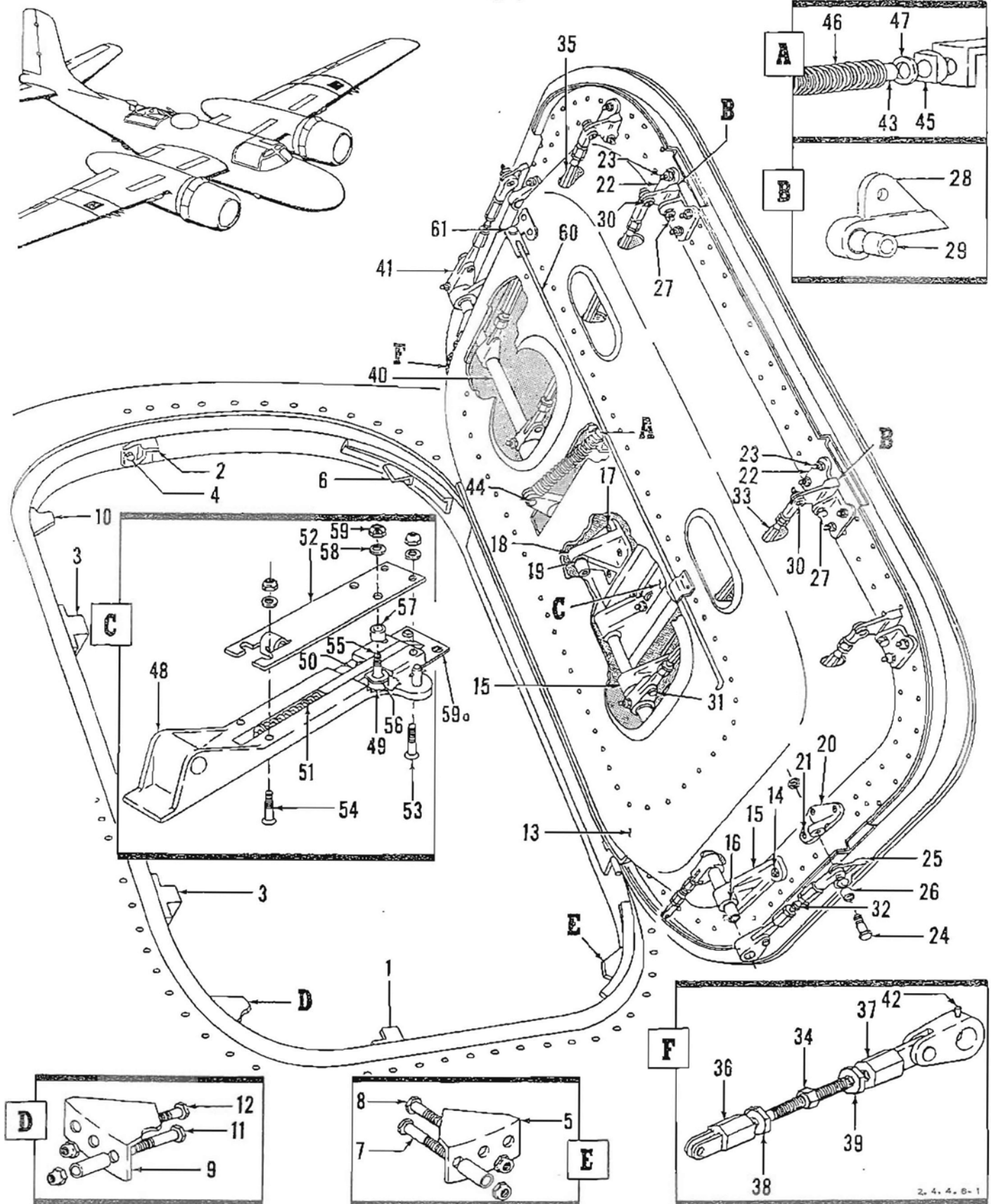


Figure 35. Wing Panel Assembly and Wing Gun Access Door Assembly

Group Assembly Parts List

FIGURE & INDEX NO.	PART NO.	1	2	3	4	5	6	7	DESCRIPTION	UNITS PER ASSY.	USABLE ON CODE	
33-	5209608	WING PANEL ASSY AND WING GUN ACCESS DOOR ASSY										
		PANEL ASSY, Front to rear spare upper skin sta 180 to 241 LH (see figure 32)							Ref		A	
	5209608-1	PANEL ASSY, Front to rear spare upper skin sta 180 to 241 RH (see figure 32)							Ref		A	
-1	2275670	CATCH, Access door side LH							1		A	
-2	2275670-1	CATCH, Access door side RH							1		A	
-3	2275671	CATCH, Access door aft							2		A	
		(ATTACHING PARTS)										
-4	AN3-26A	BOLT							2		A	
	2033900-6S065-200	SPACER, Chromium molybdenum steel							2		A	
	AN960D10	WASHER							2		A	
	AN365-1032	NUT							2		A	
-5	2277928	CATCH, Access door forward corner LH							1		A	
-6	2277928-1	CATCH, Access door forward corner RH							1		A	
		(ATTACHING PARTS)										
-7	AN3-16A	BOLT							2		A	
	5209608-34	SPACER, Access door catch							2		A	
	AN365-1032	NUT							2		A	
-8	AN3-4A	BOLT							1		A	
	AN365-1032	NUT							1		A	
-9	2277929	CATCH, Access door aft corner LH							1		A	
-10	2277929-1	CATCH, Access door aft corner RH							1		A	
		(ATTACHING PARTS)										
-11	AN3-15A	BOLT							2		A	
	5209608-36	SPACER, Access door catch							2		A	
	AN365-1032	NUT							2		A	
-12	AN3-4A	BOLT							1		A	
	AN365-1032	NUT							1		A	
	5275597	DOOR ASSY, Wing gun access LH (see figure 32)							Ref		A	
	5275597-1	DOOR ASSY, Wing gun access RH (see figure 32)							Ref		A	
	5278896	DOOR ASSY, Wing gun access LH (see figure 32)							Ref		A	
	5278896-1	DOOR ASSY, Wing gun access RH (see figure 32)							Ref		A	
-13	5275597-16	DOOR ASSY, Wing gun access LH							1		A	
	5275597-17	DOOR ASSY, Wing gun access RH							1		A	
	5278896-2	DOOR ASSY, Wing gun access LH							1		A	
	5278896-3	DOOR ASSY, Wing gun access RH							1		A	
	5278896-4	DOOR ASSY, Wing gun access							1		A	
	4275645	SUPPORT ASSY, Torque tube (used on 5275597 and -1)							4		A	
	4278890	SUPPORT ASSY, Torque tube (used on 5278896 and -1)							1		A	
	4278890-1	SUPPORT ASSY, Torque tube (used on 5278896 and -1)							1		A	
		(ATTACHING PARTS)										
-14	AN509-10R10	SCREW (formerly 1029421-10-11) (used on 4275645)							2		A	
	AN509-10R13	SCREW (formerly 1029421-10-14) (used on 4278890 and -1)							2		A	
	AN960-10	WASHER (used on 4275645)							2		A	
	AN960D10	WASHER (used on 4278890 and -1)							2		A	
	AN365-1032	NUT							2		A	
-15	4275645-2	SUPPORT, Torque tube							4		A	
-16	131736-10B028	BUSHING (used on 4275645)							4		A	
	2275644	SUPPORT ASSY, Torque tube center							1		A	
		(ATTACHING PARTS)										
-17	AN509-10R10	SCREW (formerly 1029421-10-11) (used on 5275597 and -1)							4		A	
	AN509-10R13	SCREW (formerly 1029421-10-14) (used on 5278896 and -1)							4		A	
	AN960-10	WASHER (used on 5275597 and -1)							4		A	
	AN960D10	WASHER (used on 5278896 and -1)							4		A	
	AN365-1032	NUT							4		A	
-18	2275644-2	SUPPORT, Torque tube center							4		A	
-19	131736-10B010	BUSHING							1		A	
-20	2275642	SUPPORT, Side latch (used on 5275597 and -1)							6		A	
	4278889	SUPPORT, Side latch (used on 5278896 and -1)							2		A	
		(ATTACHING PARTS)										
-21	AN509-10R10	SCREW (formerly 1029421-10-11) (used on 2275642)							3		A	
	AN509-10R13	SCREW (formerly 1029421-10-14) (used on 4278889)							3		A	
	AN960-10	WASHER (used on 2275642)							3		A	
	AN960D10	WASHER (used on 4278889)							3		A	
	AN365-1032	NUT							3		A	
-22	2275643	SUPPORT, Rear latch (used on 5275597 and -1)							2		A	
	2278887	SUPPORT, Rear latch (used on 5278896 and -1)							2		A	
		(ATTACHING PARTS)										
-23	AN509-10R10	SCREW (formerly 1029421-10-11) (used on 2275643)							4		A	
	AN509-10R13	SCREW (formerly 1029421-10-14) (used on 2278887)							4		A	
	AN960-10	WASHER (used on 2275643)							4		A	
	AN960D10	WASHER (used on 2278887)							4		A	
	AN365-1032	NUT							4		A	
	2275669	LATCH ASSY, Access door side (six used on 5275597 and -1)							8		A	
		(ATTACHING PARTS)										
-24	NA554-13	BOLT (used on 5275597 and -1)							1		A	

FIGURE & INDEX NO.	PART NO.	DESCRIPTION							UNITS PER ASSY	USABLE ON CODE
		1	2	3	4	5	6	7		
35-	AN960-416								1	A
	AN364-428								1	A
-25	2275669-3								1	A
-26	131736-6B012								1	A
	2275668								2	A
-27	NAS53-12								1	A
	AN365-1032								1	A
-28	2275668-2								2	A
	131736-3B012								2	A
-29	2275666								2	A

FIGURE & INDEX NO.	PART NO.	1	2	3	4	5	6	7	DESCRIPTION	UNITS PER ASSY	USABLE ON CODE
35-	2275667								ROD ASSY, Wing gun access door rear push	2	A
	2287531								ROD ASSY, Wing gun access door forward corner	2	A
	2277950								ROD ASSY, Wing gun access door aft	2	A
									(ATTACHING PARTS)		
-30	AN23-10								BOLT (Used on 5275597 and -1)	1	A
	AN960-10L								WASHER (Used on 5275597 and -1)	1	A
	AN320-3								NUT (Used on 5275597 and -1)	1	A
-31	AN393-19								PIN	1	A
	AN393-17								PIN (Used on 5278896 and -1)	1	A
	AN960-10L								WASHER (Used on 5275597 and -1)	1	A
	AN960D10								WASHER (Used on 5278896 and -1)	1	A
-32	2277993								ROD, Wing gun access door side push	1	A
-33	2277992								ROD, Wing gun access door rear push	1	A
-34	2278530								ROD, Wing gun access door forward corner	1	A
-35	2277995								ROD, Wing gun access door aft corner	1	A
-36	2277882								FORK, Access door push rod	1	A
-37	2277881								EYE, Access door push rod	1	A
-38	AN315-4L								NUT	1	A
-39	AN315-4R								NUT	1	A
-40	2276150								TUBE, Access door torque	1	A
-41	2275672								ARM, Push rod (seven used on 5278896 and -1)	9	A
	2279015								ARM, Push rod (used on 5278896 and -1)	2	A
									(ATTACHING PARTS)		
-42	124604-2-14								PIN, Special threaded taper	1	A
	AN960-8								WASHER (Used on 2275672)	1	A
	AN960D8								WASHER (Used on 2279015)	1	A
	AN365-832								NUT	1	A
-43	1151329								ROD, Access door spring	1	A
									(ATTACHING PARTS)		
-44	AN393-19								PIN	1	A
	AN960-10L								WASHER (Used on 5275597 and -1)	1	A
-45	1151330								BUMPER, Access door	1	A
-46	1151328								SPRING, Access door	1	A
-47	2033900-48028-004								SPACER, Chromium molybdenum steel	1	A
	4275660								HANDLE ASSY, Access door complete LH	1	A
	4275660-1								HANDLE ASSY, Access door complete RH	1	A
									(ATTACHING PARTS)		
	NAS80-23A								BOLT (Used on 5278896 and -1)	1	A
	AN960-416								WASHER (Used on 5278896 and -1)	1	A
	AN365-428								NUT (Used on 5278896 and -1)	1	A
	4275661								HANDLE ASSY, Access door LH	1	A
	4275661-1								HANDLE ASSY, Access door RH	1	A
-48	4275661-2								HANDLE, LH	1	A
	4275661-3								HANDLE, RH	1	A
-49	131736-6B006								BUSHING	1	A
-50	2275654								PLUNGER, Access door handle	1	A
-51	2275655								SPRING, Access door handle	1	A
-52	2275656								RETAINER PLATE, Access door handle	1	A
-53	AN509-8R15								SCREW (formerly 1029421-8-16)	2	A
	AN960-8								WASHER	2	A
	AN365-832								NUT	2	A
-54	AN509-8R16								SCREW (formerly 1029421-3-17)	2	A
	AN960-8								WASHER	2	A
	AN365-832								NUT	2	A
-55	2275659								SCREW, Access door handle cam operating	1	A
-56	2275657								CAM, Access door handle	1	A
-57	NAS43HT4-10								SPACER (formerly 117425-45005)	1	A
-58	AN960-416								WASHER	1	A
-59	AN310-4								NUT	1	A
-59a	2278884								CATCH (Used on 5278896 and -1)	1	A
									(ATTACHING PARTS)		
	AN509-10R13								SCREW (Used on 5278896 and -1)	2	A
	AN960D10								WASHER (Used on 5278896 and -1)	2	A
	AN365-1032								NUT (Used on 5278896 and -1)	2	A
-60	2275803								ROD ASSY, Access door support	1	A
									(ATTACHING PARTS)		
-61	AN3-10								BOLT (Used on 5275597 and -1)	1	A
	AN3-5								BOLT (Used on 5275597 and -1)	1	A
	2033900-5S065-004								SPACER	1	A
	AN960-10								WASHER (Used on 5275597 and -1)	1	A
	AN960D10								WASHER (Used on 5278896 and -1)	1	A
	AN320-3								NUT	1	A

A USAF 44-34218 thru 44-34753
44-35938 thru 44-35996

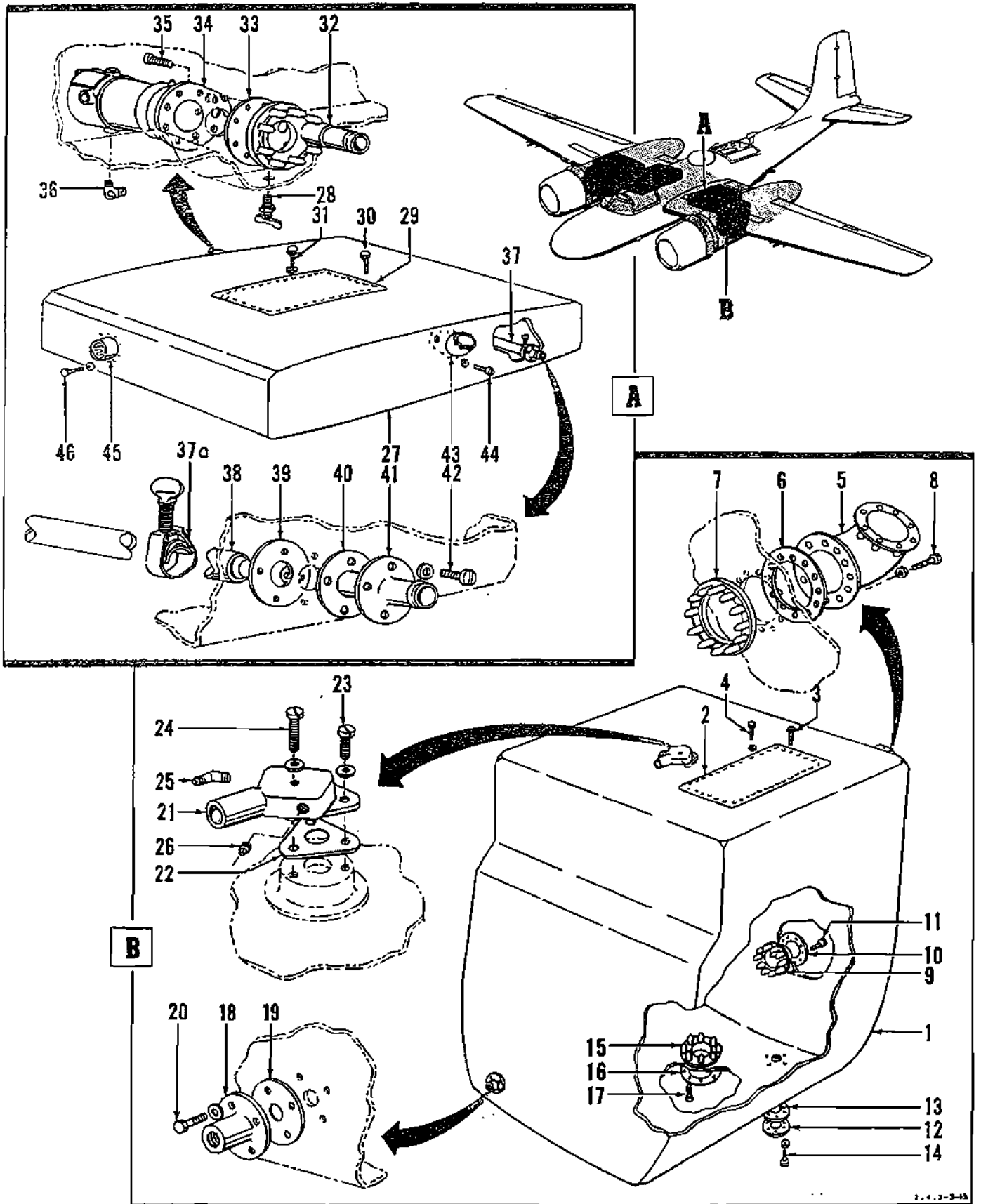


Figure 36. Nacelle and Wing Fuel Container Installation

FIGURE & INDEX NO.	PART NO.	1 2 3 4 5 6 7	DESCRIPTION	UNITS PER ASSY	USABLE ON CODE
36-			NACELLE AND WING FUEL CONTAINER INSTL		
	5153062		CONTAINER INSTL, Nacelle fuel LH (see figure 10)	Ref	
	5153062-1		CONTAINER INSTL, Nacelle fuel RH (see figure 10)	Ref	
	5122063		CONTAINER ASSY, Nacelle fuel LH	1	
	5122063-1		CONTAINER ASSY, Nacelle fuel RH	1	
-1	5122063-2		CONTAINER ASSY, Nacelle fuel LH	1	
	5122063-3		CONTAINER ASSY, Nacelle fuel RH	1	
-2	5122063-4		DOOR ASSY, Nacelle fuel container access (ATTACHING PARTS)	1	
-3	AN74-6		BOLT	8	
-4	AN74-4		BOLT	32	
	AN960D416		WASHER	24	
-5	5191835		NECK, Nacelle fuel tank	1	
-6	2126698		GASKET, Nacelle fuel filler neck	1	
-7	2126741		RING, Nacelle fuel filler mount (ATTACHING PARTS)	1	
-8	AN74A22		BOLT	12	
	AN960D416		WASHER	12	
-9	4123691		FLANGE, Fuel gage mounting	1	
-10	2192670		PLATE, Nacelle fuel gage washer (ATTACHING PARTS)	1	
-11	AN503-416-33		SCREW	10	
-12	2126544		FLANGE, Nacelle fuel drain mounting	1	
-13	1125861		GASKET, Nacelle fuel drain (ATTACHING PARTS)	1	
-14	AN74A3		BOLT	6	
	AN960-416L		WASHER	6	
-15	4123690		FLANGE, Nacelle fuel pump mounting	1	
-16	2126809		PLATE, Nacelle fuel pump washer (ATTACHING PARTS)	1	
-17	AN503-416-24		SCREW	8	
-18	1128914		FLANGE, Cockpit heater nacelle fuel outlet (used on 5153062-1)	1	
-19	1128913		GASKET, Cockpit heater nacelle fuel outlet (used on 5153062-1) (ATTACHING PARTS)	1	
-20	AN74A5		BOLT	4	
	AN960D416		WASHER	4	
-21	2126545		FLANGE, Nacelle fuel tank vent	1	
-22	1128968		GASKET, Nacelle fuel container vent (ATTACHING PARTS)	1	
-23	AN503-416-10		SCREW	2	
	AN960D416		WASHER	2	
-24	AN503-416-26		SCREW	1	
	AN960D416		WASHER	1	
-25	AN823-4		ELBOW	1	
-26	AN913-1		PLUG	1	
	5122064		CONTAINER INSTL, Wing fuel LH (see figure 10)	Ref	
	5122064-1		CONTAINER INSTL, Wing fuel RH (see figure 10)	Ref	
-27	5122065-2		CONTAINER ASSY, Wing fuel LH	1	
	5122065-3		CONTAINER ASSY, Wing fuel RH	1	
-28	AN771-1		COCK	1	
-29	5122065-4		COVER ASSY, Wing fuel container (ATTACHING PARTS)	1	
-30	AN74-6		BOLT	8	
-31	AN74-4		BOLT	32	
	AN960-416		WASHER	32	
-32	4123701		FLANGE, Wing fuel pump mounting inner	1	
-33	4123715		GASKET, Wing fuel pump	1	
-34	TFD6600-2		PUMP ASSY, Booster LH (THA)	1	
	TFD6600-3		PUMP ASSY, Booster RH (THA) (ATTACHING PARTS)	1	
-35	AN503-416-22		SCREW	9	
-36	AN822-4D		ELBOW	1	
-37	5128410-170		LINE ASSY, Fuel System	1	
-37a	AN737TW48-56		CLAMP	2	
-38	AN844-16-15		HOSE	1	
-39	2126567		FLANGE, Wing fuel tank outlet inner	1	
-40	1125882		GASKET, Wing fuel tank outlet	1	
-41	2126566		FITTING, Hose union fuel tank outlet 1 in (ATTACHING PARTS)	1	
-42	AN503-416-20		SCREW	4	
	AN960D416		WASHER	4	
-43	5123968		NECK, Wing fuel tank filler LH	1	
	5123968-1		NECK, Wing fuel tank filler RH (ATTACHING PARTS)	1	

Section II
Group Assembly Parts List

T.O. 1B-26B-4

FIGURE & INDEX NO.	PART NO.	DESCRIPTION							UNITS PER ASSY	USABLE ON CODE
		1	2	3	4	5	6	7		
36-44	AN503-416-16 945-4								16	
									16	
-45	4123693								1	
-46	AN503-416-30 945-4								10	
									10	

WING

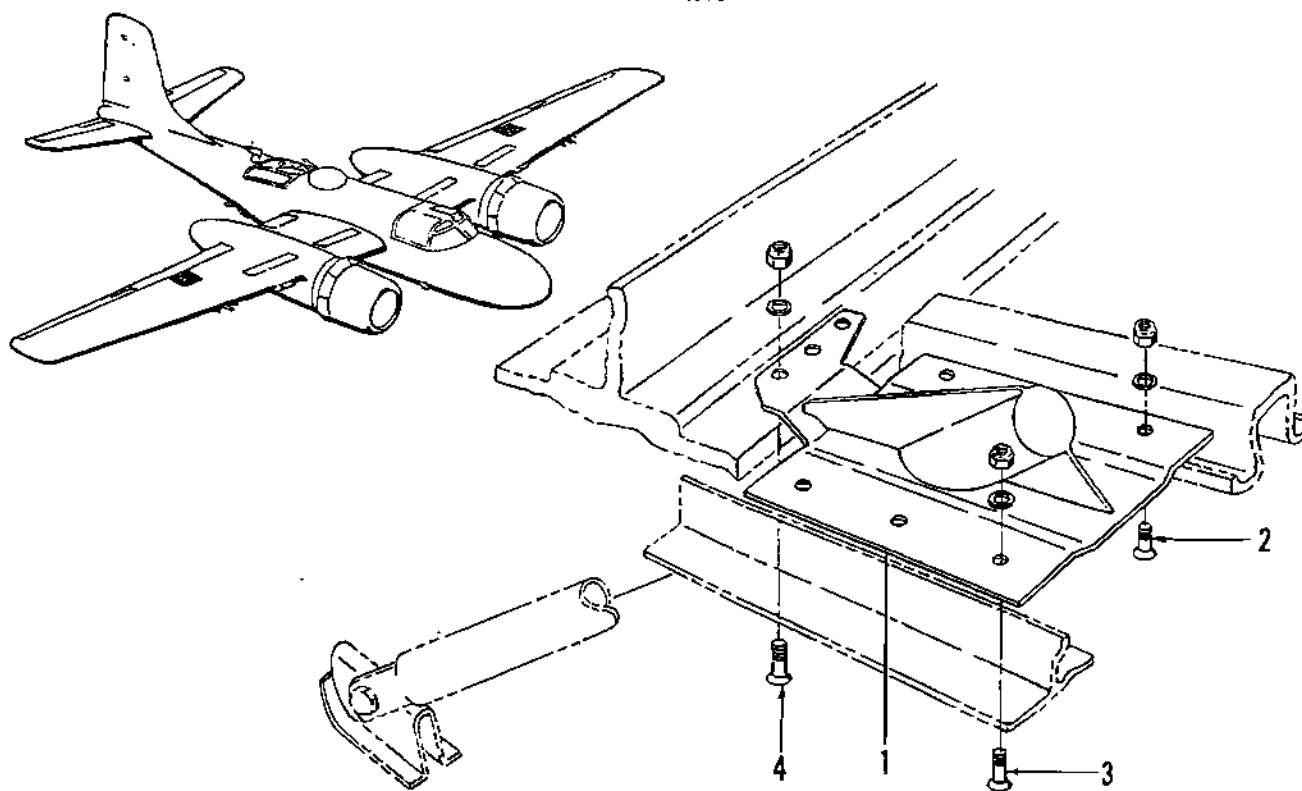


Figure 37. Wing Droppable Fuel Tank Displacement Strut Socket Installation

FIGURE & INDEX NO.	PART NO.	DESCRIPTION							UNITS PER ASSY	USABLE ON CODE
		1	2	3	4	5	6	7		
37. -1	52SCD2118	SOCKET INSTL, Wing droppable fuel tank displacement strut							1	A
	52SCC945L	SOCKET ASSY, Droppable tank displacement strut LH							1	A
	52SCC945R	SOCKET ASSY, Droppable tank displacement strut RH (ATTACHING PARTS)							1	A
-1	AN509-10-10	SCREW							3	A
	AN960-10	WASHER							3	A
	AN365-1032	NUT							3	A
-3	AN509-10-12	SCREW							3	A
	AN960-10	WASHER							3	A
	AN365-1032	NUT							3	A
-4	AN509-10-14	SCREW							3	A
	AN960-10	WASHER							3	A
	AN365-1032	NUT							3	A
		A USAF 44-34718, 44-34723, 44-35361, 44-35380, 44-35382, 44-35383, 44-35391, 44-35411, 44-35412, 44-35550, 44-35631, 44-35641, 44-35703, 44-35753, 44-35763, 44-35777, 44-35784, 44-35790, 44-35835, 44-35849, 44-35853, 44-35856, 44-35857, 44-35860, 44-35867, 44-35868, 44-35872, 44-35876, 44-35877, 44-35880, 44-35919, 44-35926, 44-35928, 44-35930, 44-35932, 44-35934								

Section II
Group Assembly Parts List

T.O. 1B-26B-4
EMPENNAGE

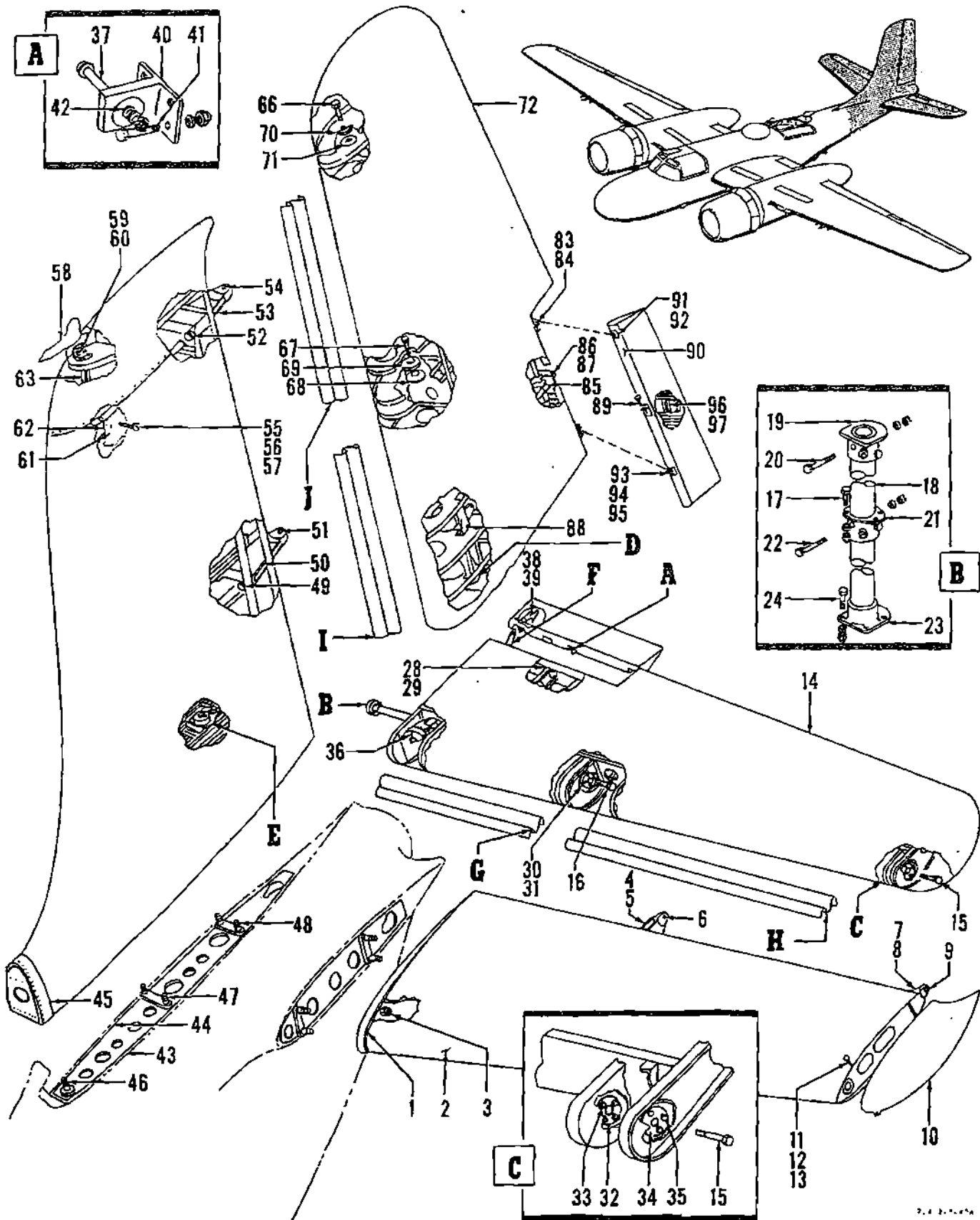


Figure 38. Empennage Installation (Sheet 1 of 2)

EMPENNAGE

Group Assembly Parts List

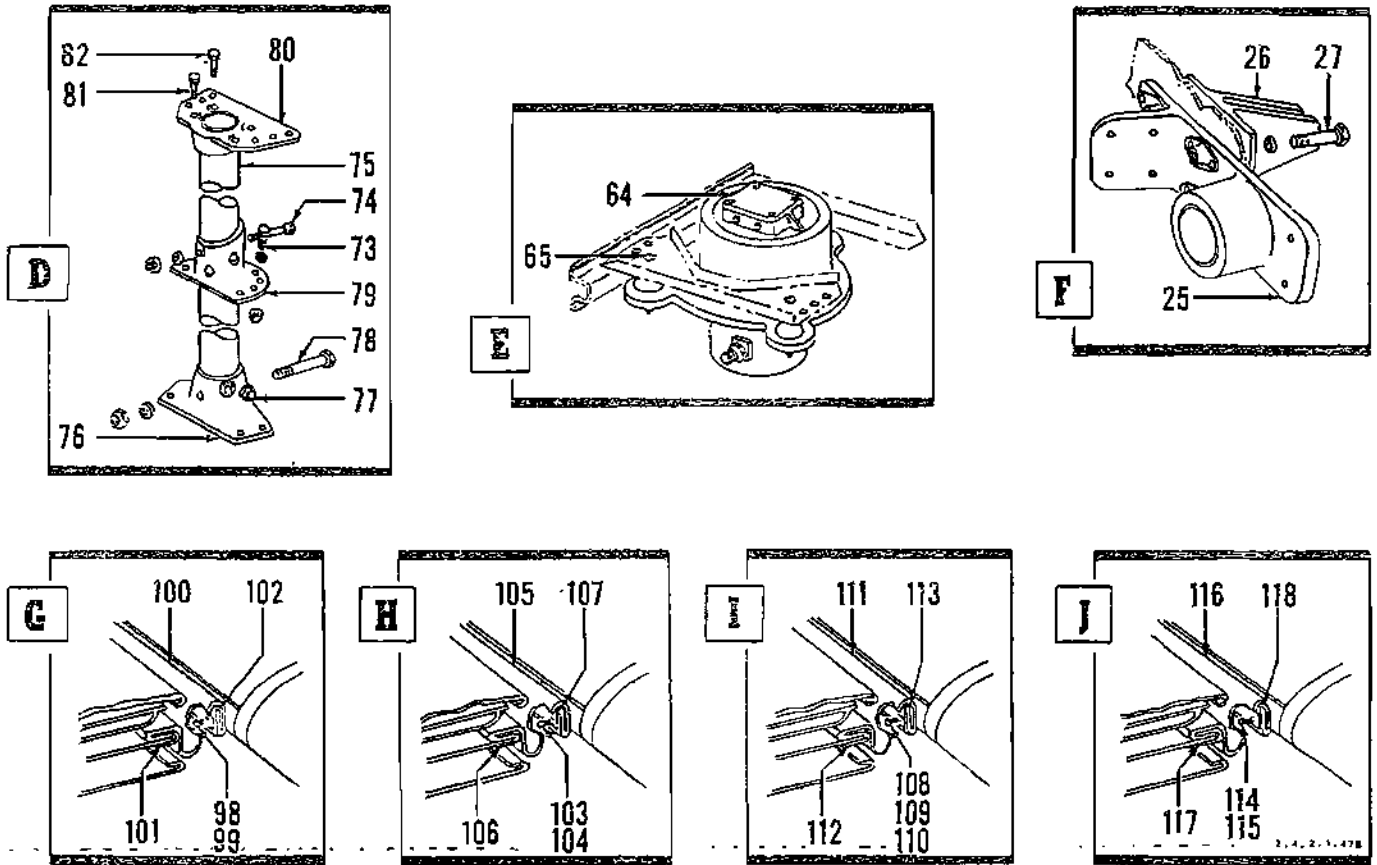


Figure 38. Empennage Installation (Sheet 2 of 2)

FIGURE & INDEX NO.	PART NO.	1 2 3 4 5 6 7	DESCRIPTION	UNITS PER ASSY	USABLE ON CODE
58-	5122110		EMPENNAGE INSTL	1	
-1	5122110-12		STRIP, SEAL	2	
-2	2142882		SPARE PARTS ASSY, Horizontal stabilizer LH	1	
	2142882-1		SPARE PARTS ASSY, Horizontal stabilizer RH	1	
	5122113		STABILIZER ASSY, Horizontal LH	1	
	5122113-1		STABILIZER ASSY, Horizontal RH	1	
			(ATTACHING PARTS)		
-3	12B126		NOT (ENG	4	
	NAS143-12		WASHER	4	
	4202905		HINGE ASSY, Elevator	1	
			(ATTACHING PARTS)		
-4	AN6-26A		BOLT	2	
	AN960-616		WASHER	2	
	AN365-624		NUT	2	
-5	4202902		BRACKET ASSY, Elevator hinge	1	
-6	AN207D6		BEARING	1	
	4202909		HINGE ASSY, Elevator	1	
			(ATTACHING PARTS)		
-7	AN5-24A		BOLT	2	
	AN960-516		WASHER	2	
	AN365-524		NUT	2	
-8	4202904		BRACKET ASSY, Elevator hinge	1	
-9	AN207D5		BEARING	1	
-10	5127998		TIP ASSY, Horizontal stabilizer LH	1	
	5127998-1		TIP ASSY, Horizontal stabilizer RH	1	
			(ATTACHING PARTS)		
-11	1027421-10-10		SCREW (formerly 1029421-10-10)	24	
-12	1029421-10-12		SCREW, Flathead 100° recessed	2	
-13	1029421-10-7		SCREW, Flathead 100° recessed	3	
	5122121		ELEVATOR AND TAB INSTL	1	
	5122121-2		ELEVATOR AND TAB ASSY, LH	1	
	5122121-3		ELEVATOR AND TAB ASSY, RH	1	

Section II

T.O. 1B-26B-4

Group Assembly Parts List

FIGURE & INDEX NO.	PART NO.	1	2	3	4	5	6	7	DESCRIPTION	UNITS PER ASSY	USABLE ON CODE
38-14	5122122								ELEVATOR: ASSY, Covered LH	1	
	5122122-1								ELEVATOR: ASSY, Covered RH	1	
									(ATTACHING PARTS)		
-15	AN5-20								BOLT	1	
	AN960D516								WASHER	1	
	AN310-5								NUT	1	
-16	AN6-23								BOLT	1	
	AN960D616								WASHER	1	
	AN310-6								NUT	1	
	3126962								TUBE ASSY, Elevator torque LH	1	
	3126962-1								TUBE ASSY, Elevator torque RH	1	
									(ATTACHING PARTS)		
-17	AN4-6								BOLT	5	
	AN960D416								WASHER	5	
	AN310-4								NUT	5	
-18	3126962-2								TUBE, Elevator torque	1	
-19	2129232								FITTING, Elevator torque tube control horn LH	1	
	2129232-1								FITTING, Elevator torque tube control horn RH	1	
									(ATTACHING PARTS)		
-20	AN174C11								BOLT	3	
	AN960D416								WASHER	3	
	AN320-4								NUT	3	
-21	2129230								FITTING, Elevator torque tube attaching LH	1	
	2129230-1								FITTING, Elevator torque tube attaching RH	1	
									(ATTACHING PARTS)		
-22	AN17-C11								BOLT	3	
	AN960D416								WASHER	3	
	AN320-4								NUT	3	
-23	2129229								FITTING, Elevator torque tube end	1	
									(ATTACHING PARTS)		
-24	AN4-5								BOLT	5	
	AN960D416								WASHER	5	
	AN310-4								NUT	5	
-25	4123684								HOUSING	1	
	A1008-5								BEARING	1	
-26	2126745-4								BRACKET, Elevator cab hinge	1	
									(ATTACHING PARTS)		
-27	AN3H6								BOLT	4	
	AN960D10								WASHER	4	
-28	2126745-2								BRACKET, Elevator cab hinge	2	
									(ATTACHING PARTS)		
-29	AN3H5								BOLT	8	
	AN960D10								WASHER	8	
-30	2203372								MOUNT, Elevator hinge bearing	2	
									(ATTACHING PARTS)		
-31	AN3-4								BOLT	8	
	A71960D10								WASHER	8	
	AN310-3								NUT	8	
-32	2203365-2								MOUNT, Elevator hinge bearing	1	
									(ATTACHING PARTS)		
-33	AN3-4								BOLT	4	
	AN960D10								WASHER	4	
	AN310-3								NUT	4	
-34	2203364-2								MOUNT, Elevator hinge bearing	1	
									(ATTACHING PARTS)		
-35	AN3-4								BOLT	4	
	AN960D10								WASHER	4	
	AN310-3								NUT	4	
-36	5153654								TRIM TAB MECHANISM INSTL, Elevator LH (see figure 39)	1	
	5153654-1								TRIM TAB MECHANISM INSTL, Elevator RH (see figure 39)	1	
	5122124								TAB ASSY, Elevator	1	
									(ATTACHING PARTS)		
-37	AN23-13								BOLT	3	
	AN960D3								WASHER	3	
	AN320-3								NUT	3	
-38	2126340								TRACK, Elevator trim tab	1	
									(ATTACHING PARTS)		
-39	AN3-4A								BOLT	4	
	AN960D10								WASHER	4	
	AN365-1032								NUT	4	
-40	2126744-2								BRACKET ASSY, Elevator tab hinge	3	
									(ATTACHING PARTS)		

FIGURE & INDEX NO.	PART NO.	1	2	3	4	5	6	7	DESCRIPTION	UNITS PER ASSY	USABLE ON CODE
38-41	AN3-5A AN960D10 AN365-1032								BOLT WASHER NUT	4 4 4	
-42	AN200K3								BEARING	1	
-43	5122110-4								SEAL	1	
-44	5122110-6								SEAL	1	
-45	5122110-14 5122117 5206178 5206177 2275712								STRIP, Steel SPARE PARTS ASSY, Vertical stabilizer STABILIZER ASSY, Vertical STABILIZER ASSY, Vertical STABILIZER ASSY, Vertical (ATTACHING PARTS)	1 1 1 1 1	A, B C D
-46	AN6-15A AN960-616								BOLT WASHER	1 1	
-47	NAS152DH54 NAS143-12C NAS143-12 12B126								BOLT WASHER WASHER NUT (EN)	2 2 2 2	
-48	NAS152DH56 NAS143-12C NAS143-12 12B126								BOLT WASHER WASHER NUT (EN)	2 2 2 2	
	4202903								HINGE ASSY, Rudder (ATTACHING PARTS)	1	
-49	AN7-27A AN960-716 AN365-720								BOLT WASHER NUT	2 2 2	
-50	4202907								BRACKET ASSY, Rudder hinge	1	
-51	AN207D8 4202905								BEARING HINGE ASSY, Rudder (ATTACHING PARTS)	1 1 1	
-52	AN5-23A AN960-516 AN365-524								BOLT WASHER NUT	2 2 2	
-53	4202908								BRACKET ASSY, Rudder hinge	1	
-54	AN207D5 5128067 5208180 5208179								BEARING TIP ASSY, Vertical stabilizer TIP ASSY, Vertical stabilizer TIP ASSY, Vertical stabilizer (ATTACHING PARTS)	1 1 1 1	A, B C D
-55	1029421-10-7								SCREW, Flathead 100° recessed	38	
-56	1029421-10-8								SCREW, Flathead 100° recessed	2	
-57	AN509-10R9								SCREW (formerly 1029421-10-10)	2	
	5122119 5206533 5205713								INSTRUMENT INSTL, Vertical stabilizer INSTRUMENT INSTL, Vertical stabilizer INSTRUMENT INSTL, Vertical stabilizer compass transmitter	1 1 1	A, B C A, B
-58									TUBE, Pitot static air speed type D3 (Spec 94-27909B) (GFP) (ATTACHING PARTS)	1	A, B A, B
-59	AN520-10-4 AN935-10 3219-3S								SCREW WASHER TUBE, Pitot static air speed (ECP) (ATTACHING PARTS)	4 4 1	C C C
-60	AN525-10-6 2207023								SCREW INSERT, Fiber pitot tube mounting	4 4	A, B C
-61	2129152-1 2129152-5								LINE ASSY, Static pitot LINE ASSY, Static pitot	1 1	A, B C
-62	2129152-2 2129152-6								LINE ASSY, Pressure pitot LINE ASSY, Pressure pitot	1 1	C D
-63	AN855B4A								HOSE ASSY, 1/4 in.	2	
-64	AN5730-3								COMPASS (GFP) (ATTACHING PARTS)	1	B-D
-65	AN515-8-12 AN960-8L 5122125								SCREW WASHER RUDDER AND TAB INSTL RUDDER AND TAB ASSY	3 3 1	B-D B-D
	5122125-2 5122127								RUDDER AND TAB ASSY RUDDER ASSY, Covered (ATTACHING PARTS)	1 1	
-66	AN5-20 AN960D516 AN310-5								BOLT WASHER NUT	1 1 1	
-67	AN8-25 AN960D816 AN310-8								BOLT WASHER NUT	1 1 1	
-68	2205382-2								MOUNT	1	

Section II
Group Assembly Parts List

T.O. 1B-26B-4

FIGURE & INDEX NO.	PART NO.	DESCRIPTION							UNITS PER ASSY	USABLE ON CODE
		1	2	3	4	5	6	7		
							(ATTACHING PARTS)			
38-	AN3-4						BOLT	4		
	AN960D10						WASHER	4		
	AN310-3						NUT	4		
-69	2203382-4						MOUNT	1		
							(ATTACHING PARTS)			
	AN3-4						BOLT	4		
	AN960D10						WASHER	4		
	AN310-3						NUT	4		
-70	2203364-4						MOUNT	1		
							(ATTACHING PARTS)			
	AN3-4						BOLT	4		
	AN960D10						WASHER	4		
	AN310-3						NUT	4		
-71	2203365-4						MOUNT	1		
							(ATTACHING PARTS)			
	AN3-4						BOLT	4		
	AN960D10						WASHER	4		
	AN310-3						NUT	4		
-72	5122127-200						RUDDER ASSY, Covered	1		
	3126961						TUBE ASSY, Rudder torque	1		
							(ATTACHING PARTS)			
-73	AN4-5						BOLT	7		
	AN960D416						WASHER	7		
	AN310-4						NUT	7		
-74	AN175C26						BOLT	3		
	AN960D516						WASHER	3		
	AN320-5						NUT	3		
-75	3126961-2						TUBE, Rudder torque	1		
-76	2129234						FITTING, Rudder torque tube control horn	1		
							(ATTACHING PARTS)			
-77	AN175C27						BOLT	2		
	AN960D516						WASHER	2		
	AN320-5						NUT	2		
-78	AN175C26						BOLT	1		
	AN960D516						WASHER	1		
	AN320-5						NUT	1		
-79	4129413						FITTING, Rudder torque tube attaching	1		
-80	2129237						FITTING, Rudder torque tube attaching	1		
-81	AN3H6						BOLT	2		
	AN960D10						WASHER	2		
-82	AN3H7						BOLT	2		
	AN960D10						WASHER	2		
-83	2126742-2						BRACKET, Rudder tab hinge	1		
	2126747-4						BRACKET, Rudder tab hinge	1		
							(ATTACHING PARTS)			
-84	AN3-5A						BOLT (formerly 132100-3-5A)	4		
	AN960D10						WASHER	4		
-85	4123683						HOUSING ASSY, Rudder trim tab torque tube bracket	1		
	A1317						BEARING	1		
-86	2126747-6						BRACKET, Rudder tab hinge	1		
							(ATTACHING PARTS)			
-87	132100-3-5A						BOLT	2		
	132100-3-7A						BOLT	2		
	AN960D10						WASHER	4		
-88	5153655						RUDDER TRIM TAB MECHANISM INSTL (see figure 39)	1		
	5122129						TAB ASSY, Rudder	1		
							(ATTACHING PARTS)			
-89	AN23-13						BOLT	3		
	AN960D10						WASHER	3		
	AN320-3						NUT	3		
-90	5122129-30						TAB ASSY, Rudder	1		
-91	2126744-6						BRACKET ASSY, Rudder tab hinge	1		
							(ATTACHING PARTS)			
-92	AN3-5A						BOLT	4		
	AN960D10						WASHER	4		
	AN365-1032						NUT	4		
-93	2126744-10						BRACKET ASSY, Rudder tab hinge	2		
							(ATTACHING PARTS)			
-94	AN3-5A						BOLT	4		
	AN960D10						WASHER	4		
	AN365-1032						NUT	4		
-95	AN300K3						BEARING	1		

FIGURE & INDEX NO.	PART NO.	1	2	3	4	5	6	7	DESCRIPTION	UNITS PER ASSY	USABLE ON CODE
3B-96	2126534								TRACK, Rudder trim tab.....	1	
									(ATTACHING PARTS)		
-97	AN3-4A								BOLT.....	4	
	AN960D10								WASHER.....	4	
	AN365-1032								NUT.....	4	
	5194624								ELEVATOR SEAL INSTL.....	1	
	5194624-14								SEAL ASSY, Elevator inboard LH.....	1	
	5194624-15								SEAL ASSY, Elevator inboard RH.....	1	
									(ATTACHING PARTS)		
-98	1029657P10-10								SCREW, Recessed oval binding head.....	12	
-99	1029657P10-14								SCREW, Recessed oval binding head.....	56	
									(ATTACHING PARTS)		
-100	5194624-4								SEAL.....	2	
-101	5194624-2								CLIP, LH.....	1	
	5194624-3								CLIP, RH.....	1	
-102	5194624-6								CLIP, LH.....	1	
	5194624-7								CLIP, RH.....	1	
	5194624-16								SEAL ASSY, Elevator outboard LH.....	1	
	5194624-17								SEAL ASSY, Elevator outboard RH.....	1	
									(ATTACHING PARTS)		
-103	1029657P10-14								SCREW, Recessed oval binding head.....	92	
-104	1029657P10-10								SCREW, Recessed oval binding head.....	6	
									(ATTACHING PARTS)		
-105	5194624-10								SEAL.....	2	
-106	5194624-8								CLIP, LH.....	1	
	5194624-9								CLIP, RH.....	1	
-107	5194624-12								CLIP, LH.....	1	
	5194624-13								CLIP, RH.....	1	
	5194623								RUDDER SEAL INSTL.....	1	
	5194623-14								SEAL ASSY, Rudder lower.....	1	
									(ATTACHING PARTS)		
-108	NAS221-19								SCREW (formerly 1029657P10-18).....	25	
-109	1029657P10-10								SCREW, Recessed oval binding head.....	2	
-110	1029657P10-20								SCREW, Recessed oval binding head.....	14	
									(ATTACHING PARTS)		
-111	5194623-10								SEAL.....	1	
-112	5194623-4								CLIP.....	1	
-113	5194623-2								CLIP.....	1	
	5194623-16								SEAL ASSY, Rudder upper.....	1	
									(ATTACHING PARTS)		
-114	NAS221-19								SCREW (formerly 1029657P10-18).....	33	
-115	1029657P10-10								SCREW, Recessed oval binding head.....	2	
									(ATTACHING PARTS)		
-116	5194623-12								SEAL.....	1	
-117	5194623-6								CLIP.....	1	
-118	5194623-8								CLIP.....	1	
		A USAF							41-39100 thru 41-39133		
									43-22252 thru 43-22281		
		B USAF							41-39134 thru 41-39169		
									43-22282 thru 43-22590		
									C USAF 41-39170 thru 41-39349		
									D USAF 41-39350 thru 41-39599		
									43-22591 thru 43-22751		
									44-34098 thru 44-35996		

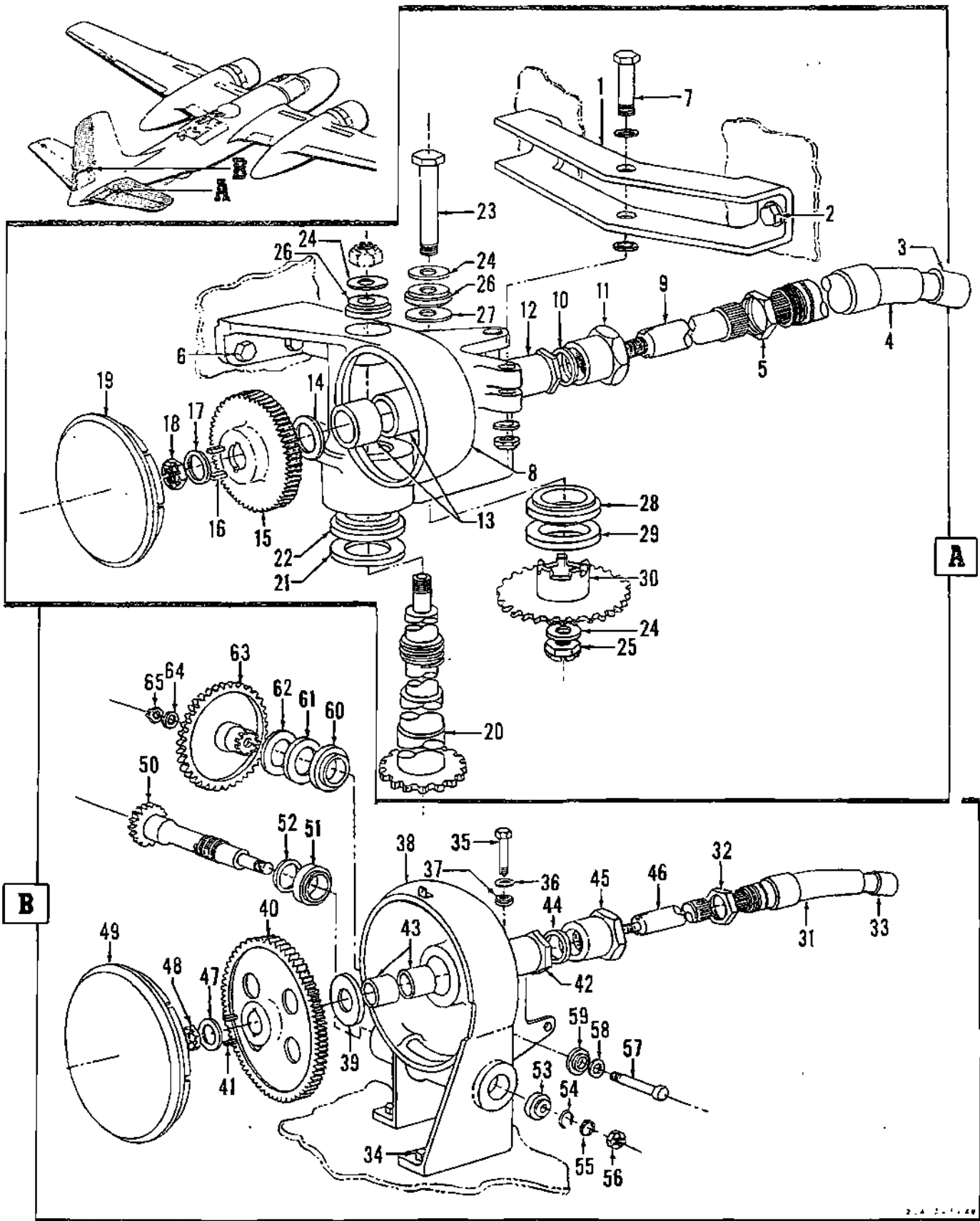


Figure 39. Elevator and Rudder Trim Tab Mechanism Installation

FIGURE & INDEX NO.	PART NO.	DESCRIPTION							UNITS PER ASSY	USABLE ON CODE
		1	2	3	4	5	6	7		
39-		ELEVATOR AND RUDDER TRIM TAB MECHANISM INSTL								
	5153654	TRIM TAB MECHANISM INSTL, Elevator LH (see figure 38)							Ref	
	5153654-1	TRIM TAB MECHANISM INSTL, Elevator RH (see figure 38)							Ref	
-1	2277224	BRACE, Elevator trim tab gear box assy LH							1	
	2277224-1	BRACE, Elevator trim tab gear box assy RH							1	
-2	AN3-7A	(ATTACHING PARTS)								
	AN960-10L	BOLT							2	
	AN364-1032	WASHER							4	
		NUT							2	
	1125852	BEARING ASSY, Elevator trim tab track							1	
-3	B47X	BEARING (TOR)							1	
-4	2126539	TUBE ASSY, Elevator trim tab torque							1	
-5	1127702	NUT, Trim tab coupling lock							1	
	5123936	BOX ASSY, Elevator trim tab gear LH							1	
	5123936-1	BOX ASSY, Elevator trim tab gear RH							1	
-6	AN3-6A	(ATTACHING PARTS)								
	AN960D10	BOLT							3	
	AN365-1032	WASHER							3	
-7	AN3-21A	NUT							3	
	AN960-10L	BOLT							1	
	AN960D10	WASHER							2	
	AN365-1032	WASHER							1	
		NUT							1	
-8	5123937	HOUSING, Elevator trim tab mechanism LH							1	
	5123937-1	HOUSING, Elevator trim tab mechanism RH							1	
-9	1125842	SHAFT, Trim tab worm gear							1	
-10	T706	WASHER; Oilite (AXD)							1	
-11	1127701	NUT, Trim tab adjustable coupling							1	
	1125844	BEARING ASSY, Trim tab worm gear eccentric							1	
-12	1125844-2	SLEEVE, Trim tab worm gear eccentric							1	
-13	A672-2	BEARING, Oilite (AXD)							2	
-14	T1001	WASHER; Oilite (AXD)							1	
-15	2126535	GEAR, Elevator trim tab worm							1	
-16	1127698	KEY, Trim tab worm gear							2	
-17	124682-4S11-032	WASHER							1	
-18	AN320-4	NUT							1	
-19	51056	BUTTON, Door plug (UC)							1	
-20	2126536	WORM, Elevator trim tab							1	
-21	143908-021R100-025	WASHER							1	
-22	A538	BEARING (FAF)							1	
-23	AN4-33	BOLT							1	
-24	AN960-416	WASHER							3	
-25	AN310-4	NUT							1	
-26	AN201K4A	BEARING							2	
-27	2033900-7S065-003	SPACER; Chromium molybdenum steel							1	
-28	A539	BEARING (FAF)							1	
-29	2110163A012-103-002	WASHER; Grey felt							1	
-30	2126537	GEAR ASSY, Elevator trim tab reduction							1	
	5153655	TRIM TAB MECHANISM INSTL, Rudder (see figure 38)							Ref	
-31	2126535	TUBE ASSY, Rudder trim tab torque							1	
-32	1127702	NUT, Trim tab coupling lock							1	
	1125848	BEARING ASSY, Rudder trim tab track							1	
-33	B59X	BEARING (TOR)							1	
	5123933	BOX ASSY, Rudder trim tab gear							1	
-34	AN3H6	(ATTACHING PARTS)								
	AN960D10	BOLT							3	
		WASHER							3	
-35	AN3-14A	BOLT							1	
-36	AN960D10	WASHER							1	
-37	AN365-1032	NUT							1	
-38	5123934	HOUSING, Rudder trim tab mechanism							1	
-39	T1001	WASHER; Oilite (AXD)							1	
-40	2126523	GEAR, Rudder trim tab worm							1	
-41	1127698	KEY, Trim tab worm gear							2	
	1125844	BEARING ASSY, Trim tab worm gear eccentric							1	
-42	1125844-2	SLEEVE, Trim tab worm gear eccentric							1	
-43	A672-2	BEARING, Oilite (AXD)							2	
-44	T706	WASHER; Oilite (AXD)							1	
-45	1127701	NUT, Trim tab adjustable coupling							1	
-46	1125842	SHAFT, Trim tab worm gear							1	
-47	124682-4S11-032	WASHER							1	
-48	AN320-4	NUT							1	
-49	2126529	COVER, Rudder trim tab mechanism							1	
-50	2126528	WORM, Rudder trim tab							1	
-51	A538	BEARING (FAF)							1	
-52	1125973	WASHER							1	
-53	AN207D3	BEARING							1	
-54	2130661-025C	RING, Internal lock							1	
-55	AN960-10	WASHER							1	
-56	AN310-3	NUT							1	
-57	AN4-40	BOLT							1	

Section II
Group Assembly Parts List

T.O. 1B-26B-4

FIGURE & INDEX NO.	PART NO.								DESCRIPTION	UNITS PER ASSY	USABLE ON CODE
		1	2	3	4	5	6	7			
39-58	AN960-416								WASHER	1	
-59	AN201K4A								BEARING	1	
-60	A539								BEARING (FAF)	1	
-61	2110163A012-103-002								WASHER, Gray felt	1	
-62	143908-024R106-035								WASHER	1	
-63	2126530								GEAR ASSY, Rudder trim tab reduction	1	
-64	AN960D416								WASHER	1	
-65	AN310-4								NUT	1	

FUSELAGE

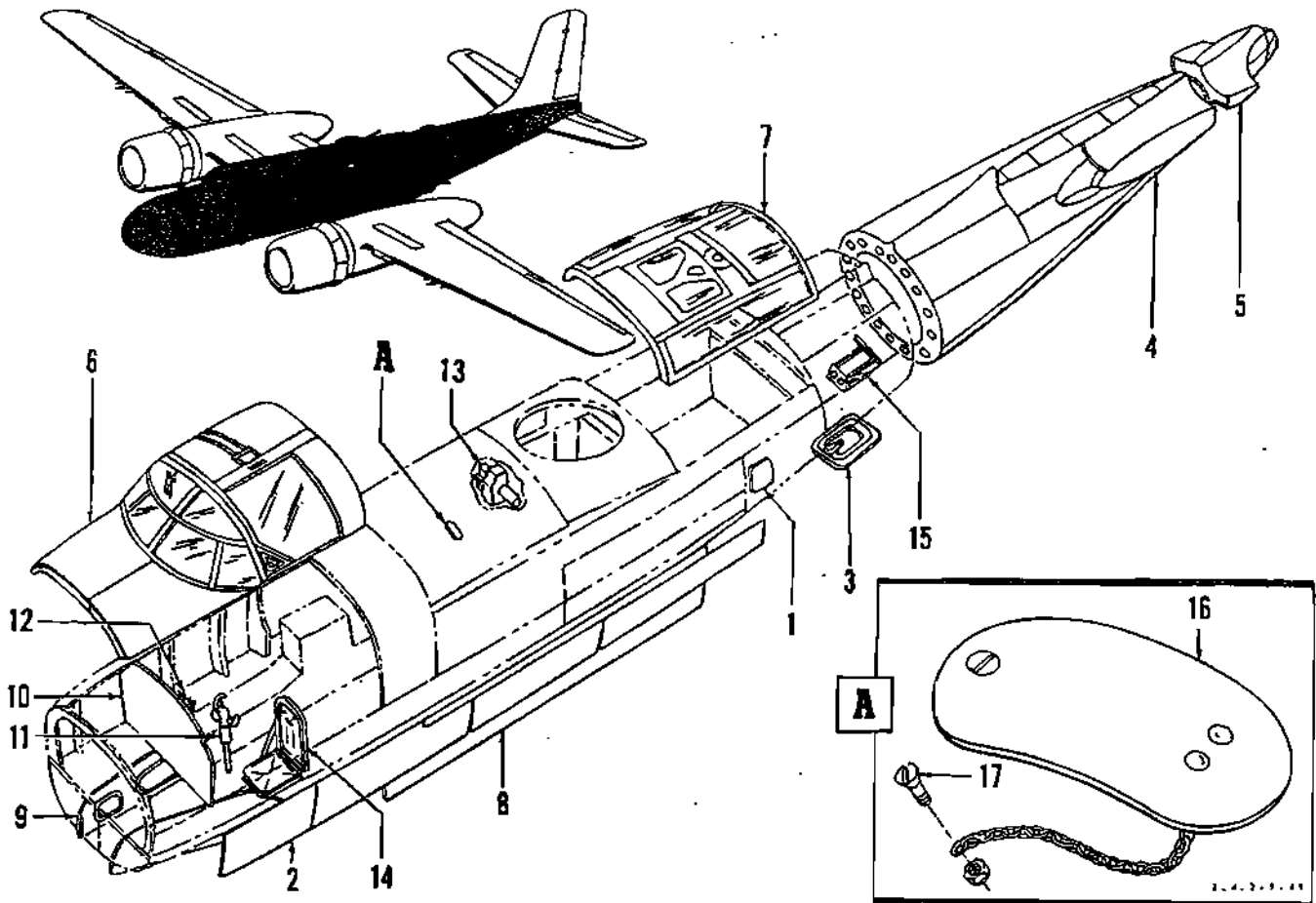


Figure 40. Complete Fuselage Assembly

FIGURE & INDEX NO.	PART NO.	1	2	3	4	5	6	7	DESCRIPTION	UNITS PER ASSY	USABLE ON CODE
40-	5153135	FUSELAGE ASSY, Complete							1		
-1	5122150	DOOR INSTL, Camera (see figure 73)							1		
-2	5153162	DOOR INSTL, Fuselage outside tunnel (see figure 73)							1		
-3	5128437	DOOR INSTL, Fuselage access aft (see figure 73)							1		
	5203774	DOOR INSTL, Aft bomb bay access (see figure 73)							1		
	5153137	STRUCTURE ASSY, Fuselage main (see figure 41)							1		
	5153175	FUSELAGE ASSY, Aft section							1		
-4	5153176	FUSELAGE INSTL, Aft section complete							1		
	5153178	STRUCTURE ASSY, Fuselage aft section (see figure 77)							1		
	5153180	ELECTRICAL INSTL, Fuselage aft section (see figure 125)							1		
	5153181	INSTRUMENT INSTL, Fuselage aft section (see figure 125)							1	A	
	5207534	INSTRUMENT INSTL, Fuselage aft section (see figure 125)							1	B	
	5153183	FLIGHT CONTROL INSTL, Fuselage aft section (see figure 88)							1		
-5	5122172	TAIL CONE INSTL, Fuselage complete (see figure 77)							1		
-6	5153142	ENCLOSURE INSTL, Pilot cockpit (see figure 67)							1	A	
	5206313	ENCLOSURE INSTL, Pilot cockpit (see figure 60)							1	C	
	5207766	ENCLOSURE INSTL, Pilot cockpit (see figure 61)							1	D	
	5277051	DOOR INSTL, Gunner's side escape (see figure 74)							1	T	
-7	5153147	ENCLOSURE INSTL, Gunner (see figure 142)							1		
-8	5122152	DOOR INSTL, Fuselage bomb bay (see figure 71)							1		
	5122154	OPERATING MECHANISM INSTL, Bomb bay door (see figure 71)							1		
	5206253	SPOILER INSTL, Bomb bay (see figure 72)							1		
-9	5122157	DOOR INSTL, Nose wheel (see figure 48)							1		
	5153187	ELECTRICAL INSTL, Fuselage forward section (see figure 115)							1	E	
	5204904	ELECTRICAL INSTL, Fuselage forward section (see figure 115)							1	F	
	5209307	ELECTRICAL INSTL, Fuselage forward section (see figure 115)							1	G	
-10	5205099	INSTRUMENT INSTL, Fuselage section (see figure 57)							1	H	
	5208214	INSTRUMENT INSTL, Fuselage section (see figure 57)							1	B	
-11	5153214	FLIGHT CONTROLS INSTL, Fuselage section (see figure 78)							1		
-12	5153223	PEDESTAL CONTROL INSTL (see figure 82)							1		
	5201479	AUTOMATIC PILOT INSTL (see figure 90)							1	J	
	5122194	HYDRAULIC INSTL, Fuselage section							1		
	5122195	HYDRAULIC INSTL, Fuselage forward section (see figure 91)							1		
	5201433	HYDRAULIC INSTL, Fuselage aft section forward (see figure 95)							1	K	
	5205265	HYDRAULIC INSTL, Fuselage aft section (see figure 96)							1	L	
	5209678	HYDRAULIC INSTL, Fuselage aft section (see figure 97)							1	M	
	5122198	HYDRAULIC INSTL, Fuselage aft section aft (see figure 98)							1	E	
	5122211	HYDRAULIC SYSTEM INSTL, Fuselage section emergency (see figure 94)							1	N	
	5143556	HYDRAULIC SYSTEM INSTL, Fuselage section emergency (see figure 94)							1	P	
	5122188	FUEL SYSTEM INSTL, Fuselage fixed (see figure 100)							1		
-13	5153225	FLAP OPERATING MECHANISM INSTL, Fuselage section (see figure 70)							1		
-14	5153227	FURNISHINGS INSTL, Fuselage (see figure 43)							1		
	5209586	FIRE EXTINGUISHER SYSTEM INSTL, Fuselage section (see figure 43)							1		
-15	5153236	FIRE EXTINGUISHER INSTL, Fuselage section (see figure 43)							1		
	5153235	PHOTOGRAPHIC EQUIPMENT INSTL, Fuselage section (see figure 75)							1		
	5153232	HEAT AND VENT SYSTEM INSTL, Fuselage section (see figure 103)							1	R	
	5207971	HEAT AND VENT FUEL SYSTEM INSTL, Fuselage section (see figure 103)							1	S	
	5207584	HEAT AND VENT SYSTEM PROVISIONS, Forward section (see figure 110)							1	S	
-16	4129518	DOOR ASSY, Bomb bay fuel tank filler access							1		
-17	AN507-1032-10	SCREW							1		
	AN365-1032	NUT							1		
		A USAF 41-39100 thru 41-39323	H USAF 41-39140 thru 41-39323								
		43-22252 thru 43-22590	43-22302 thru 43-22590								
		B USAF 41-39324 thru 41-39599	J USAF 44-35198 thru 44-35996								
		43-22591 thru 43-22751	K USAF 41-39140 thru 41-39349								
		44-34098 thru 44-35996	43-22302 thru 43-22399								
		C USAF 41-39200 thru 41-39349	43-22467 thru 43-22493								
		43-22284 thru 43-22464	L USAF 41-39350 thru 41-39499								
		43-22466 thru 43-22493	43-22400 thru 43-22466								
		43-22495 thru 43-22601	43-22494 thru 43-22751								
		D USAF 41-39350 thru 41-39599	M USAF 41-39500 thru 41-39599								
		43-22494	44-34098 thru 44-35996								
		43-22602 thru 43-22751	N USAF 41-39100 thru 41-39599								
		44-34098 thru 44-35996	P USAF 43-22252 thru 43-22751								
		E USAF 41-39100 thru 41-39139	44-34098 thru 44-35996								
		43-22252 thru 43-22301	R USAF 41-39100 thru 41-39599								
		F USAF 41-39140 thru 41-39599	43-22252 thru 43-22751								
		43-22302 thru 43-22751	44-35198 thru 44-35655								
		44-35198 thru 44-35655	S USAF 44-34098 thru 44-35996								
		G USAF 44-34098 thru 44-35197	T USAF 44-34587 thru 44-34753								
		44-35656 thru 44-35996									

Section II
Group Assembly Parts List

T.O. 1B-26B-4

FUSELAGE

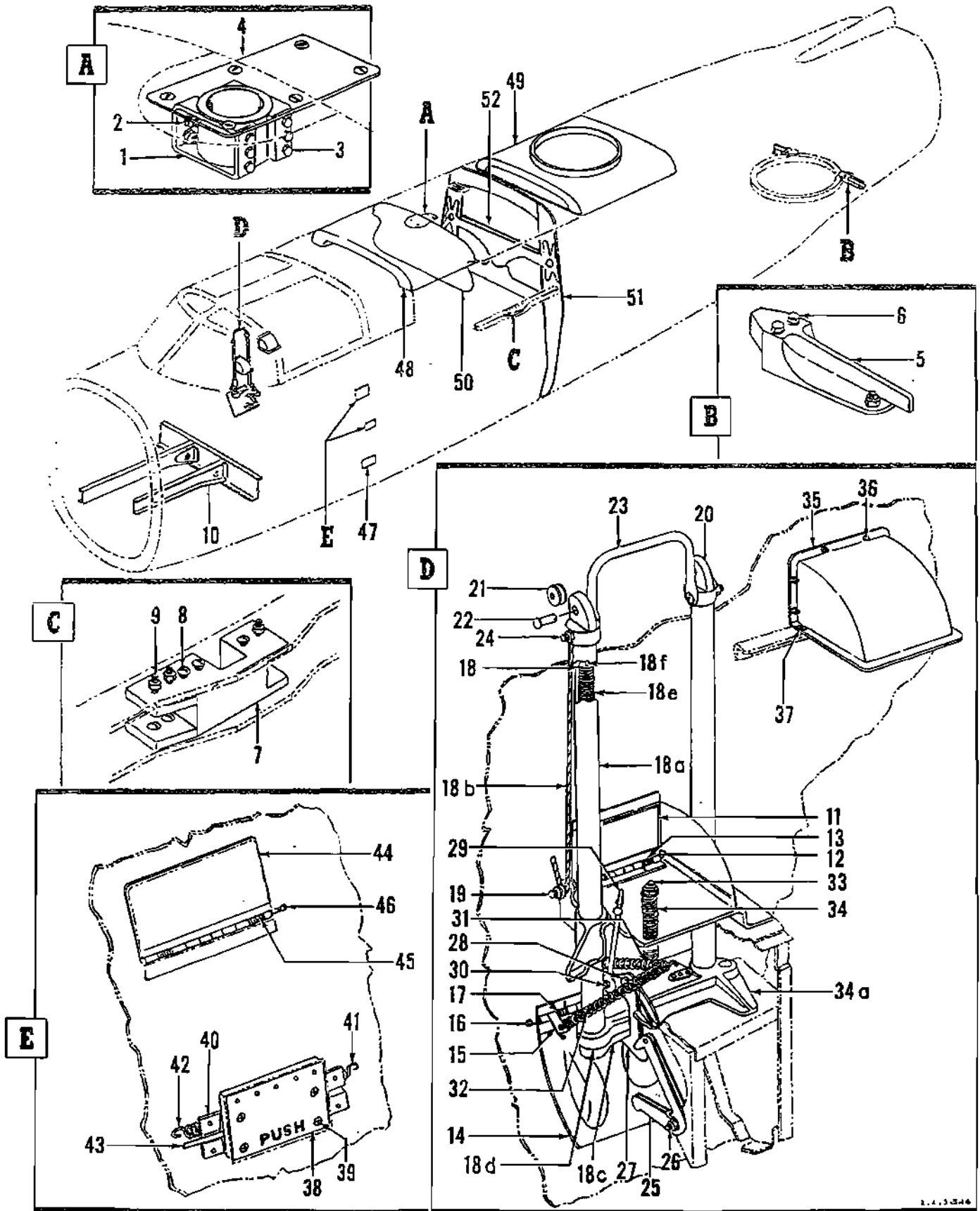


Figure 41. Fuselage Main Structure Assembly

FIGURE & INDEX NO.	PART NO.	1 2 3 4 5 6 7	DESCRIPTION	UNITS PER ASSY	USABLE ON CODE
41-	5153137		STRUCTURE ASSY, Fuselage main (see figure 40)	Ref	
	5154715		STRUCTURE INSTL, Fuselage str 120 to 181 upper	1	
	5157882		SOCKET INSTL, Bomb hoist support	1	
-1	5127964		SOCKET, Bomb hoist support (ATTACHING PARTS)	1	
-2	AN4-10A		BOLT	6	
	AN960-416		WASHER	6	
	AN365-428		NUT	6	
-3	AN4-6A		BOLT	6	
	AN960-416		WASHER	6	
	AN365-428		NUT	6	
-4	4128223		DOOR ASSY, Bomb hoist access	1	
	5196737		TURRET STRUCTURE AND FAIRING INSTL, Lower	1	
-5	4199866		SUPPORT, Turret ring LH	1	
	4199866-1		SUPPORT, Turret ring RH (ATTACHING PARTS)	1	
-6	AN4-22A		BOLT	4	
	AN365-428		NUT	4	
-7	5193141		STIFFENER INSTL, Fuselage wing drag	1	
	4193421		FITTING, Fuselage wing drag stiffener LH	1	
	4193421-1		FITTING, Fuselage wing drag stiffener RH (ATTACHING PARTS)	1	
-8	AN23-36A		BOLT	3	
	AN960-516L		WASHER	3	
	AN364-524		NUT	3	
-9	AN25-12		BOLT	6	
	AN960-516L		WASHER	6	
	AN364-524		NUT	6	
-10	5125798		SUPPORT INSTL, Nose landing gear	1	
	5125796		SUPPORT, Nose landing gear cross beam LH	1	
	5125796-1		SUPPORT, Nose landing gear cross beam RH	1	
	5194622		HANDGRIP AND STEP INSTL, Fuselage	1	
-11	5194622-40		DOOR ASSY, Fuselage handgrip and step upper	1	A, C
-12	10007399120-428		PIN, Hood hinge	1	A, C
-13	133509-12		SPRING, Standard hinge	2	A, C
-14	5194622-38		DOOR ASSY, Fuselage handgrip and step lower	1	A, C
-15	5194622-48		HINGE	1	A, C
-16	121873-091-908		PIN, Safety	1	A, C
-17	133509-4		SPRING, Standard hinge	2	A, C
	5194622-36		LADDER ASSY, Fuselage handgrip and step	1	A, C
-18	2195025		TUBE ASSY, Pilot retractable ladder lower	2	A, C
-18a	1194844		TUBE, Pilot retractable ladder upper	2	A, C
-18b	1194972		CABLE ASSY, Pilot retractable ladder	2	A, C
-18c	2195021		RUNG, Pilot retractable step lower (ATTACHING PARTS)	1	A, C
	146142-125-110		PIN	2	A, C
-18d	2195020		RUNG, Pilot retractable step upper	2	A, C
	AN520-416R14		SCREW (formerly 1027300-416-14)	2	A, C
	AN365-428		NUT	2	A, C
-18e	1205074		SPRING, Pilot's step	2	A, C
-18f	1205075		CLIP, Spring attach	2	A, C
-19	AN3-5A		BOLT	2	A, C
	1194864		WASHER, Pilot retractable cable attaching	2	A, C
	AN365-1032		NUT	2	A, C
-20	2195016		BRACKET ASSY, Pilot retractable step pulley	2	A, C
-21	AN210-1A		PULLEY	2	A, C
-22	AN393-17		PIN	1	A, C
-23	2203649		HANDLE, Pilot retractable ladder (ATTACHING PARTS)	1	A, C
-24	AN509-10R31		SCREW (formerly 1029421-10-32)	2	A, C
	AN960-10		WASHER	2	A, C
	AN365-1032		NUT	2	A, C
-25	4195343		CATCH ASSY, Pilot retractable step door (ATTACHING PARTS)	1	A, C
-26	AN520-10R24		SCREW (formerly 1027300-10-24)	1	A, C
	NAS43HT3-32		SPACER (formerly 117425-03SD16)	2	A, C
	1195809		SPRING, Pilot retractable step door catch	1	A, C
	AN960-10		WASHER	2	A, C
	AN365-1032		NUT	1	A, C
-27	1194862		HOOK ASSY, Pilot retractable step release (ATTACHING PARTS)	1	A, C
-28	AN393-19		PIN	1	A, C
-29	1194866		ROD, Pilot retractable ladder push	1	A, C
-30	AN3-5		BOLT	1	A, C
	2033900-4S028-005		SPACER	1	A, C
	AN310-3		NUT	1	A, C
-31	1194859		SPRING, Pilot retractable ladder latch	2	A, C
-32	1193936		SPRING, Pilot access door jettison handle	2	A, C

Section II
Group Assembly Parts List

T.O. 18-26B-4

FIGURE & INDEX NO.	PART NO.	1 2 3 4 5 6 7							DESCRIPTION	UNITS PER ASSY	USABLE ON CODE	
41-33	1194863								ROD, Pilot retractable ladder kickout..... (ATTACHING PARTS)	1	A,C	
	AN960-10L								WASHER.....	1	A,C	
	AN315-3R								NUT.....	1	A,C	
-34	1194856								SPRING, Pilot retractable ladder kickout.....	1	A,C	
	AN970-3								WASHER.....	1	A,C	
-34a	4193583								FITTING, Pilot retractable step lower.....	1	A,C	
-35	4276936								STEP ASSY, Fuselage flush..... (ATTACHING PARTS)	1	A,C	
-36	AN507-832R12								SCREW (formerly 1087510-8-12).....	6	A,C	
	AN365-832								NUT.....	6	A,C	
-37	NAS220-9								SCREW (formerly 1029679PS-8).....	2	A,C	
	AN365-832								NUT.....	2	A,C	
	133509-13								SPRING, Standard hinge.....	2	A,C	
	121873-091-428								PIN, Safety.....	1	A,C	
	5207581								HANDGRIP AND STEP INSTL, Fuselage LH.....	1	B	
-38	2275893								FLAP ASSY, Fuselage handgrip..... (ATTACHING PARTS)	1	B	
-39	1087510-10-10								SCREW, Steel 100° recessed flathead.....	8	B	
	AN365-1032								NUT.....	8	B	
-40	2275914								HINGE, Fuselage handgrip flap.....	4	B	
-41	2275884								SPRING, Fuselage handgrip LH.....	1	B	
-42	2275884-1								SPRING, Fuselage handgrip RH.....	1	B	
-43	5207581-28								ROD, Fuselage handgrip flap.....	1	B	
-44	2208733								FLAP ASSY, Fuselage step.....	1	B	
-45	133509-15								SPRING, Standard hinge.....	2	B	
-46	1027965-091-614								PIN, Stainless steel hinge.....	2	B	
-47	2208160								FLAP ASSY, Fuselage step.....	1	B	
-48	5128682								CANOPY INSTL, Pilot compartment.....	1	A	
	5208504								CANOPY INSTL, Pilot compartment.....	1	B,C	
-49	5153146								STRUCTURE INSTL, Upper turret.....	1		
-50	5193143								TIE ASSY, Fuselage sta 123 upper cross.....	1		
-51	5123521								FRAME ASSY, Fuselage sta 178.175.....	1		
-52	5123636								TIE ASSY, Upper aft fuselage cross.....	1		
		A USAF 41-39100 thru 41-39349							C USAF 44-34618 thru 44-35197			
		43-22252 thru 43-22751										
		44-35198 thru 44-35996										
		B USAF 41-39350 thru 41-39599										
		44-34098 thru 44-34617										

FUSELAGE

Group Assembly Parts List

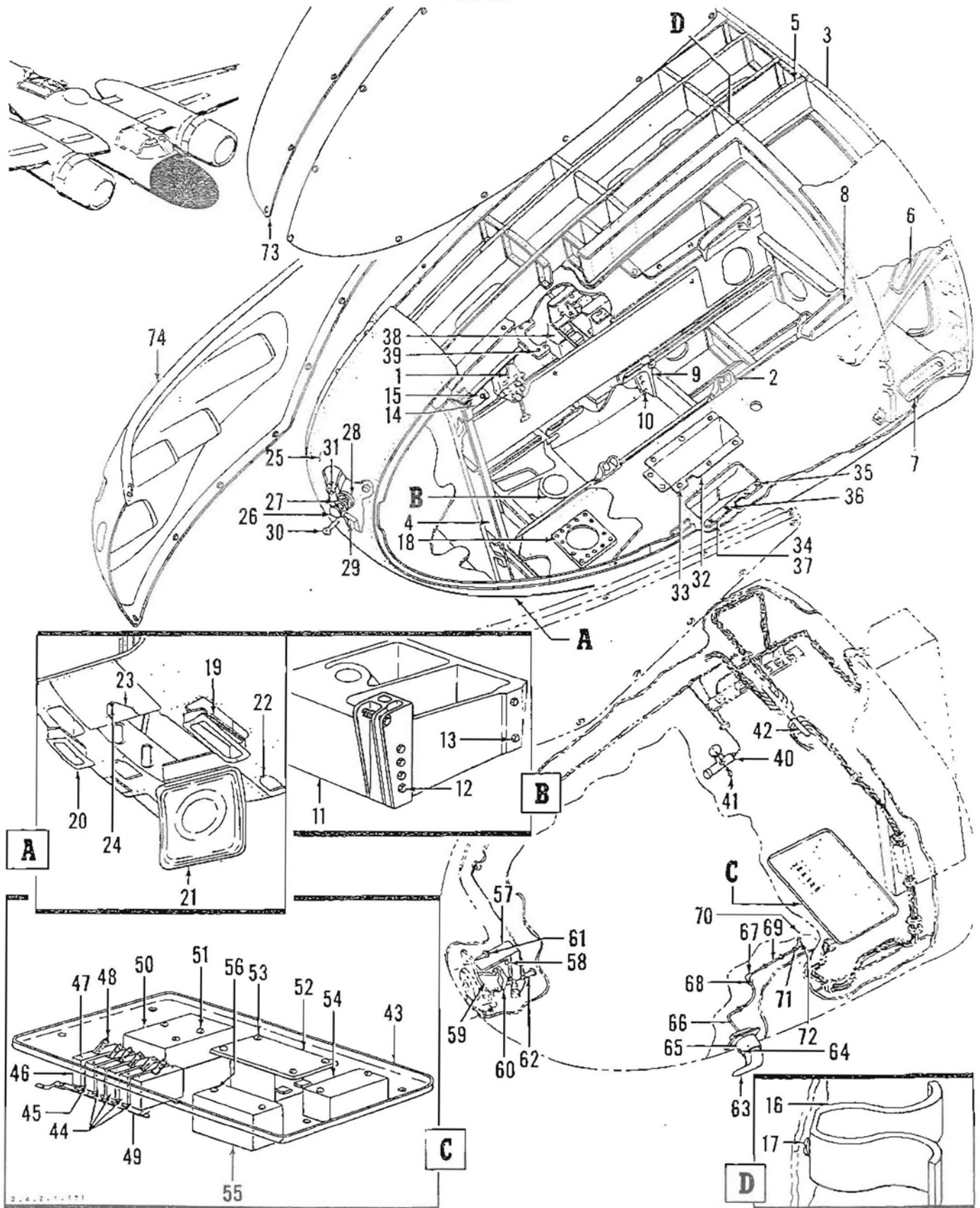


Figure 42. All Purpose Gun Nose Installation

Section II
Group Assembly Parts List

T.O. 18-26B-4

FIGURE & INDEX NO.	PART NO.	1	2	3	4	5	6	7	DESCRIPTION	UNITS PER ASSY	USABLE ON CODE
42-	5202513								NOSE INSTL, All purpose gun	1	A
	5209776								NOSE ASSY, Eight caliber .50 gun (see figure 191)	1	A
	5202516								NOSE INSTL, Fixed gun (see figure 192)	1	A
	5202512								NOSE ASSY, All purpose gun	1	A
-1	5143748								TRACK INSTL, Ammunition box (see figure 195)	1	A
-2	5202527								BOX AND HOIST INSTL, Ammunition (see figure 195)	1	A
	5202561								STRUCTURE ASSY, Gun Nose	1	A
	5202500								FRAME ASSY, Gun Nose	1	A
-3	5202519								PANEL ASSY, Fuselage nose	1	A
-4	5202520								PANEL ASSY, Fuselage nose	1	A
-5	5143686								STRUCTURE ASSY, Fuselage nose upper	1	A
-6	4143314								FITTING, Fuselage nose attaching upper LH	1	A
	4143314-1								FITTING, Fuselage nose attaching upper RH	1	A
-7	4143463								FITTING, Fuselage nose attaching center LH	1	A
	4143463-1								FITTING, Fuselage nose attaching center RH	1	A
-8	4143313								FITTING, Fuselage nose attaching inner LH	1	A
	4143313-1								FITTING, Fuselage nose attaching inner RH	1	A
-9	4202157								FITTING, Track attachment LH	1	A
	4202157-1								FITTING, Track attachment RH	1	A
-10	AN3-6A								BOLT	10	A
	AN365-1032								NUT	10	A
-11	5202170								FITTING ASSY, Ammunition hoist lower (ATTACHING PARTS)	1	A
-12	AN3-6A								BOLT	8	A
	AN365-1032								NUT	8	A
-13	AN4-6A								BOLT	4	A
	AN365-428								NUT	4	A
-14	4279096								COVER, Forward ejection chute hole eight gun nose (ATTACHING PARTS)	1	A
-15	NAS221-9								SCREW (formerly 1029637P10-8)	8	A
-16	136714								SPRING (ATTACHING PARTS)	4	A
-17	AN525-632-6								SCREW	4	A
	AN365-632								NUT	4	A
-18	2143473								PLATE, Fuselage nose gun mount attaching shear	2	A
	5202545								PLATING INSTL, Gun nose	1	A
-19	5143833								CUFF ASSY, Cannon ejection LH	1	A
	5143834								CUFF ASSY, Cannon ejection RH	1	A
-20	5143835								CUFF ASSY, Caliber .50 ejection	1	A
-21	5143627								DOOR ASSY, Fuselage nose ammunition box access	1	A
-22	5202545-62								DOOR ASSY, Gun nose plating LH	1	A
	5202545-66								DOOR ASSY, Gun nose plating RH	1	A
-23	5202545-64								DOOR ASSY, Gun nose plating center	1	A
-24	98-5CP								PN	4	A
	5143713								STRUCTURE ASSY, Fuselage nose front section	1	A
-25	5143713-16								SKIN, Fuselage nose structure front section	1	A
-26	1202539								WINDOW, Fixed camera nose glass	1	A
-27	1202738								SEAL, Fixed nose gun camera window	1	A
-28	1202538								RETAINER, Fixed camera glass	1	A
-29	4275134								SUPPORT, Nose fixed camera bracket (ATTACHING PARTS)	1	A
-30	1087510-8-6								SCREW	3	A
	AN365-832								NUT	3	A
-31	AN3-7A								BOLT	2	A
	AN365-1032								NUT	2	A
-32	5202511								CHUTE INSTL, All purpose gun nose fixed ejection	1	A
	4143709								CHUTE ASSY, Cannon case ejection lower LH	1	A
	4143709-1								CHUTE ASSY, Cannon case ejection lower RH (ATTACHING PARTS)	1	A
-33	AN525-10-8								SCREW	8	A
-34	4143694								CHUTE ASSY, Cannon link ejection lower (ATTACHING PARTS)	2	A
-35	AN3-4								BOLT	2	A
-36	AN525-10-8								SCREW	2	A
-37	AN525-10-10								SCREW	4	A
-38	4143727								CHUTE ASSY, Ejection forward lower (ATTACHING PARTS)	1	A
-39	AN525-10-8								SCREW	8	A
	5202515								ELECTRICAL INSTL, All purpose gun nose	1	A
	4203260								LAMP INSTL, All purpose gun electrical dome	1	A
-40	No Number								LIGHT, Cockpit type C-4A (Spec MIL-L-6434) (ATTACHING PARTS)	1	A
-41	AN515-6-7								SCREW	2	A
	AN960-6								WASHER	2	A

FIGURE & INDEX NO.	PART NO.	1	2	3	4	5	6	7	DESCRIPTION	UNITS PER ASSY	USABLE ON CODE
42-42	NAS19JP3								BUS BAR (formerly 1152349-3)	1	A
	5203261								COVER INSTL, All purpose gun nose electrical equipment	2	A
	5203263								COVER ASSY, All purpose gun nose electrical equipment	1	A
-43	5203254								COVER ASSY, All purpose gun nose electrical	1	A
-44	AN3160-15								CIRCUIT BREAKER	4	A
-45	AN3160-35								CIRCUIT BREAKER	1	A
-46	AN3160-5								CIRCUIT BREAKER	1	A
									(ATTACHING PARTS)		
-47	AN515-6-6								SCREW	2	A
	AN960-6								WASHER	2	A
-48	49-1416								GUARD, Circuit breaker (CUT)	6	A
-49	5203263-2								BUS BAR	1	A
-50	2033DEW								RELAY (LR)	1	A
									(ATTACHING PARTS)		
-51	111-1189Z8-10								SCREW, Sheet metal	3	A
	A1778-8Z1								NUT, Speed (TIN)	3	A
-52	5055C								RELAY (LR)	1	A
									(ATTACHING PARTS)		
-53	AN530-8-8								SCREW	4	A
	A1778-8Z1								NUT, Speed (TIN)	4	A
-54	1220DE								RELAY (LR)	1	A
-55	1220DED								RELAY (LR)	1	A
									(ATTACHING PARTS)		
-56	AN530-8-8								SCREW	2	A
	A1778-8Z1								NUT (TIN)	2	A
-57	5202510								CAMERA INSTL, All purpose gun nose	1	A
									CAMERA, Type AN-N6 (GFP)	1	A
									(ATTACHING PARTS)		
-58	AN365-1032								NUT	4	A
	AN960-10								WASHER, Flat (NAN)	4	A
-59	5203380-2								MOUNT	1	A
-60	5203380-4								MOUNT	1	A
									(ATTACHING PARTS)		
-61	AN3-6A								BOLT	4	A
-62	AN4-15A								BOLT	2	A
	AN960-416								WASHER	2	A
	AN365-428								NUT	2	A
	5207836								INSTRUMENT INSTL, All purpose gun nose	1	A
-63	AN5812-1								TUBE	1	A
-64	AN520-6-4								SCREW	1	A
	AN935-6								WASHER	1	A
-65	4207787								ADAPTER	1	A
-66	No Number								HOSE ASSY, 1/4-in. OD (make from hose Spec MIL-H-5593)	2	A
-67	AN833-4D								ELBOW	2	A
	AN960D716								WASHER	1	A
-68	AN924-4D								NUT	1	A
-69	2207975-500								LINE ASSY, Pitot tube	1	A
-70	No Number								HOSE ASSY, 1/4-in. OD (make from hose Spec MIL-H-5593)	1	A
-71	AN837-4D								ELBOW	1	A
-72	AN924-4D								NUT	2	A
	5143948								DOOR ASSY, Fuselage nose access upper LH	1	A
	5143948-1								DOOR ASSY, Fuselage nose access upper RH	1	A
-73	5143948-2								DOOR ASSY, Fuselage nose access upper LH	1	A
	5143948-3								DOOR ASSY, Fuselage nose access upper RH	1	A
-74	5202571								PANEL ASSY, caliber .50 nose door LH	1	A
	5202570								PANEL ASSY, caliber .50 nose door RH	1	A
									A USAF 41-39120 thru 41-39599		
									44-34098 thru 44-35197		
									48-22267 thru 43-2246		

Section II
Group Assembly Parts List

T.O. 1B-26B-4

FUSELAGE

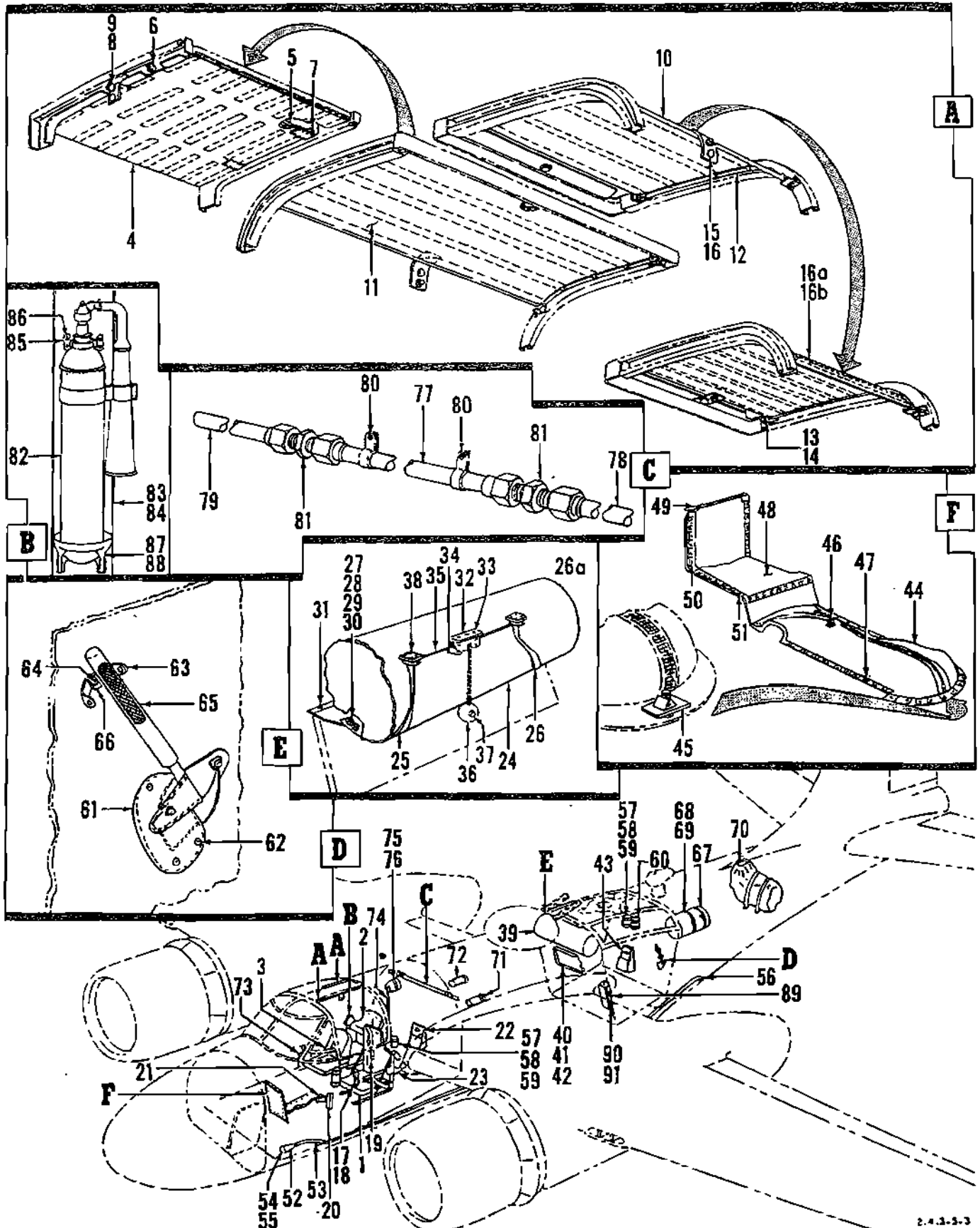


Figure 43. Fuselage Furnishings and Fire Extinguisher Installation

FIGURE & INDEX NO.	PART NO.	1 2 3 4 5 6 7	DESCRIPTION	UNITS PER ASSY	USABLE ON CODE
43-			FUSEL, GE FURNISHINGS AND FIRE EXTINGUISHER INSTALLATION		
	5153227		FURNISHINGS INSTL, Fuselage (see figure 40)	Ref	
-1	5122228		SEAT INSTL, Pilot's (see figure 44)	1	
-2	5157230		SEAT INSTL, Forward gunner's (see figure 45)	1	A
	5207307		SEAT INSTL, Forward gunner's (see figure 45)	1	B
-3	5122230		SEAT INSTL, Navigator's (see figure 47)	1	C-E
	5194607		FURNISHINGS INSTL, Miscellaneous	1	
	5203268		CURTAIN INSTL, Pilot sun RH	1	H
	5207632		CURTAIN INSTL, Pilot sun RH	1	J
-4	5207633		CURTAIN ASSY, Pilot sun RH	1	J
	5203267		CURTAIN ASSY, Pilot sun RH	1	H
-5	2207634		ROD, Pilot sun curtain RH	2	J
	2203270		ROD, Pilot sun curtain RH	1	H
-6	AN365-1032		NUT	4	F
	AN960-10		WASHER	4	F
-7	AN315-3R		NUT	4	F
	AN938D10		WASHER	4	F
	1204858		WASHER	2	F
-8	AN227-8B		STUD	2	F
-9	AN227-9B		EYELET	2	F
	5208697		CURTAIN INSTL, Pilot enclosure	1	C,D,G
-10	5208369		CURTAIN ASSY, Pilot enclosure door LH	1	C,D,G
	5277680		CURTAIN ASSY, Pilot enclosure door LH	1	D
-11	5208478		CURTAIN ASSY, Pilot enclosure door RH	1	C,D,G
	5277651		CURTAIN ASSY, Pilot enclosure door RH (ATTACHING PARTS)	1	D
-12	2208423		ROD, Pilot enclosure door curtain	4	C,D,G
-13	AN315-3R		NUT	8	C,D,G
-14	AN365-1032		NUT	8	C,D,G
-15	AN227-8B		STUD	2	C,D,G
-16	550B		EYELET, Brass open end (UC)	2	C,D,G
-16a	4193536		CURTAIN ASSY, Pilot cockpit sun LH	1	H
-16b	5206307		CURTAIN ASSY, Cockpit enclosure fixed panel sun LH	1	J
-17	44G5437		BELT ASSY, Lap safety type B-14 (ATTACHING PARTS)	AR	
-18	AN24-14		BOLT	AR	
	AN940D416		WASHER	AR	
	AN320-4		NUT	AR	
-19	44G5443		STRAP ASSY, Shoulder harness safety type B-15	1	
	5204382		LOAD ADJUSTER INSTL	1	
-20	A26B		LOAD ADJUSTER	1	
-21	2278047		BRACKET	1	
	5203512		MAP CASE INSTL, Pilot	1	
-22	5151931		COMPARTMENT ASSY, Map case and glove	1	
	5195440		FIRST AID KIT INSTL, Pilot	1	
-23	42D7411		KIT, First aid	1	
-24	5154640		STOWAGE INSTL, Life raft	1	
	5154640-6		STRAP ASSY, Life raft stowage	1	
-25	5154640-2		STRAP ASSY	2	
-26	5154640-4		STRAP ASSY	1	
-26a	1202840		CLIP ASSY, Life raft stowage outbd LH	1	
	1202840-1		CLIP ASSY, Life raft stowage outbd RH	1	
-27	AN3-4A		BOLT	4	
-28	AN960D10		WASHER	4	
-29	AN230B1		GROMMET	4	
-30	AN315D3R		NUT	4	
-31	AN530-4-6		SCREW	9	
	AN960D4		WASHER	9	
	A7764Z		NUT (TIN)	9	
-32	1202838		SUPPORT, Life raft stowage	1	
-33	1029679S10-8		SCREW, Slotted round head	3	
	AN365-1032		NUT	3	
-34	1029679S10-18		SCREW, Slotted round head	4	
	AN365-1032		NUT	4	
-35	2153951		CABLE ASSY	1	
-36	NAS121R093		KNOB	1	
-37	1067507-1		SCREW, Special recessed	1	
-38	1029679S10-9		SCREW	4	
	AN365-1032		NUT	3	
	AN364-1032		NUT	1	
-39			LIFE RAFT, Type A2 (GFP)	1	
-40	2195130		GUARD, Bomb bay bulkhead aft (ATTACHING PARTS)	1	
-41	AN530-8-6		SCREW	14	
	A1179-1021		NUT (TIN)	14	
-42	AN530-8-8		SCREW	2	
	A1179-1021		NUT (TIN)	2	
-43	5194625		MAP CASE AND GLOVE COMPARTMENT INSTL, Gunner	1	
	5151931		COMPARTMENT ASSY, Map case and glove	1	
	5190575		SEALING INSTL, Fuselage	1	
	5192501		CANVAS BOOT INSTL, Control pedestal	1	

Section II

T.O. 1B-26B-4

Group Assembly Parts List

FIGURE & INDEX NO.	PART NO.	1	2	3	4	5	6	7	DESCRIPTION	UNITS PER ASSY	USABLE ON CODE
-43-44	5192501-18								BOOT ASSY (ATTACHING PARTS)	1	
-45	AN530-8-8								SCREW	22	
	A1778-8Z1								NUT, Speed (TIN)	22	
-46	1027301-8-9								SCREW, Steel recessed	1	
	AN940D8								WASHER	1	
-47	AN530-8-8								SCREW	21	
	A6077-8Z3								NUT, Speed (TIN)	21	
-48	5192501-20								BOOT ASSY (ATTACHING PARTS)	1	
-49	AN227-4								STUD	18	
	AN365-832								NUT	18	
-50	AN530-8-8								SCREW	7	
	A1778-8Z								NUT, Speed (TIN)	7	
-51	AN530-8-8								SCREW	9	
	AN960D8								WASHER	9	
	A1778-8Z								NUT, Speed (TIN)	9	
-52	5276252								TUBE INSTL, Pilot's relief	1	C,D
	42A6504								HORN (GFP)	1	C,D
-53	5276252-2								TUBE	1	C,D
-54	33B4741								BRACKET (GFP) (ATTACHING PARTS)	1	C,D
-55	AN520-8-10								SCREW	3	C,D
	AN960-8								WASHER	3	C,D
	AN365-832								NUT	3	C,D
-56	623								VENTURI (GPR)	1	C,D
	5194618								BRACKET INSTL, Crew relief container	1	
-57	4195650								CONTAINER ASSY (ATTACHING PARTS)	4	
-58	AN530-6R8								SCREW	8	
	AN960D10								WASHER	8	
	A1181-6Z								NUT, Speed (TIN)	8	
-59	AN526-1032R10								SCREW	8	
	AN960-10								WASHER	8	
	AN365-1032								NUT	8	
-60	1194838								CONTAINER, Paper relief	4	
	5203206								STOWAGE INSTL, Emergency fire axe	1	
-61	4203777								SHEATH ASSY, Emergency fire axe (ATTACHING PARTS)	1	
-62	AN520-10R10								SCREW (formerly 1027300-10-10)	4	
	AN960-10								WASHER	4	
	AN365-1032								NUT	4	
-63	1203778								STRAP ASSY, Emergency fire axe (ATTACHING PARTS)	1	
-64	1087510-10-10								SCREW, Steel 100° recessed flathead	1	
	AN960-10								WASHER	1	
	AN365-1032								NUT	1	
-65	42D8331								AXE	1	
-66	1204109								PLATE	1	
-67	5128589								COVER ASSY, Engine section	2	
-68	2028263-18-18								STRAP ASSY (ATTACHING PARTS)	2	
-69	1027300-10-11								SCREW	4	
	AN970-3								WASHER	4	
	AN365-1032								NUT	4	
-70	5205965								CONTAINER ASSY, Dust excluder stowage	1	
	5205965-2								CONTAINER	1	
	4143958								EXCLUDER ASSY, Bomb bay vent dust	1	
	4278594								EXCLUDER ASSY, Heat and vent air scoop dust	2	
	4204878								EXCLUDER ASSY, Heat and vent air scoop dust	2	
	5203612								EXCLUDER ASSY, Carburetor air intake	2	
	4203658								EXCLUDER ASSY, Exhaust stack	18	
	5203536								EXCLUDER ASSY, Oil cooler air intake	2	
	5195508								LEVELING PIN INSTL	1	
-71	AN23-28A								BOLT	2	
	2033901-7DR187-100								SPACER	2	
	AN960D10								WASHER	4	
	AN365-1032								NUT	2	
-72	AN3-26A								BOLT	2	
	2033901-7DR187-100								SPACER	2	
	AN960D10								WASHER	4	
	AN365-1032								NUT	2	
-73	39D3922								HOLDER ASSY, Pilot's check list	1	
	4143110								FUNNEL ASSY, Hydraulic reservoir	1	
-74	4143110-2								SPOUT	1	
-75	4143110-4								FUNNEL	1	
-76	1143025								HOOK	1	

FIGURE & INDEX NO.	PART NO.	DESCRIPTION							UNITS PER ASSY	USABLE ON CODE
		1	2	3	4	5	6	7		
43-	5209586	FIRE EXTINGUISHER SYSTEM INSTL, Fuselage section.....							Ref	0
		(see figure 40)								
-77	2275022-500	PIPING ASSY.....							1	D
-78	2275022-503	PIPING ASSY.....							1	D
-79	2275022-504	PIPING ASSY.....							1	D
		(ATTACHING PARTS)								
-80	AN530-10R12	SCREW.....							2	
	A1779-10Z1	NUT (TIN).....							2	
		UNION.....							2	
-81	AN815-16D	FIRE EXTINGUISHER INSTL, Fuselage section (see figure 40).....							Ref	
	5153236	EXTINGUISHER, Fire type A17 or equal.....							1	
-82	40G6283	SUPPORT, Fire extinguisher fuselage section.....							1	
-83	5153236-2	(ATTACHING PARTS)								
		SCREW (formerly 1027300-10-10).....							3	
-84	AN520-10R10	WASHER.....							3	
	AN960D10	NUT.....							3	
	AN365-1032									
-85	20507	BRACKET, Upper (or equal).....							1	
		(ATTACHING PARTS)								
-86	AN520-10R10	SCREW (formerly 1027300-10-10).....							4	
	AN960-10	WASHER.....							4	
	AN365-1032	NUT.....							4	
-87	20932	BRACKET, Lower (or equal).....							1	
		(ATTACHING PARTS)								
-88	1029421-10-10	SCREW (formerly 1029421-10-10).....							1	
	AN960-10	WASHER.....							1	
	AN365-1032	NUT.....							1	
-89	85-2G	EXTINGUISHER, Fire type A2 (or equal).....							1	
-90	4208110	BRACKET ASSY.....							1	
		(ATTACHING PARTS)								
-91	AN520-10R10	SCREW (formerly 1027300-10-10).....							4	
	AN960-10	WASHER.....							4	
	AN365-1032	NUT.....							4	
		A USAF 41-39100 thru 41-39349								
		43-22252 thru 43-22399								
		43-22467 thru 43-22493								
		B USAF 41-39350 thru 41-39599								
		43-22400 thru 43-22466								
		43-22494 thru 43-22751								
		44-34098 thru 44-36797								
		C USAF 44-34198 thru 44-34332								
		44-35558 thru 44-35937								
		D USAF 44-34333 thru 44-35197								
		44-35938 thru 44-35996								
		E USAF 41-39350 thru 41-39599								
		44-34098 thru 44-34197								
		44-35358 thru 44-35557								
		F USAF 41-39100 thru 41-39349								
		43-22252 thru 43-22399								
		43-22400 thru 43-22464								
		43-22466 thru 43-22493								
		43-22495 thru 43-22583								
		43-22585 thru 43-22590								
		43-22592 thru 43-22595								
		43-22597 thru 43-22601								
		G USAF 41-39350 thru 41-39599								
		43-22495								
		43-22602 thru 43-22751								
		44-34098 thru 44-34197								
		44-35198 thru 44-35557								
		H USAF 41-39100 thru 41-39199								
		43-22252 thru 43-22283								
		J USAF 41-39200 thru 41-39349								
		43-22284 thru 43-22464								
		43-22466 thru 43-22493								
		43-22495 thru 43-22583								
		43-22585 thru 43-22590								
		43-22592 thru 43-22595								
		43-22597 thru 43-22601								

Section II
Group Assembly Parts List

T.O. 1B-26B-4
FUSELAGE

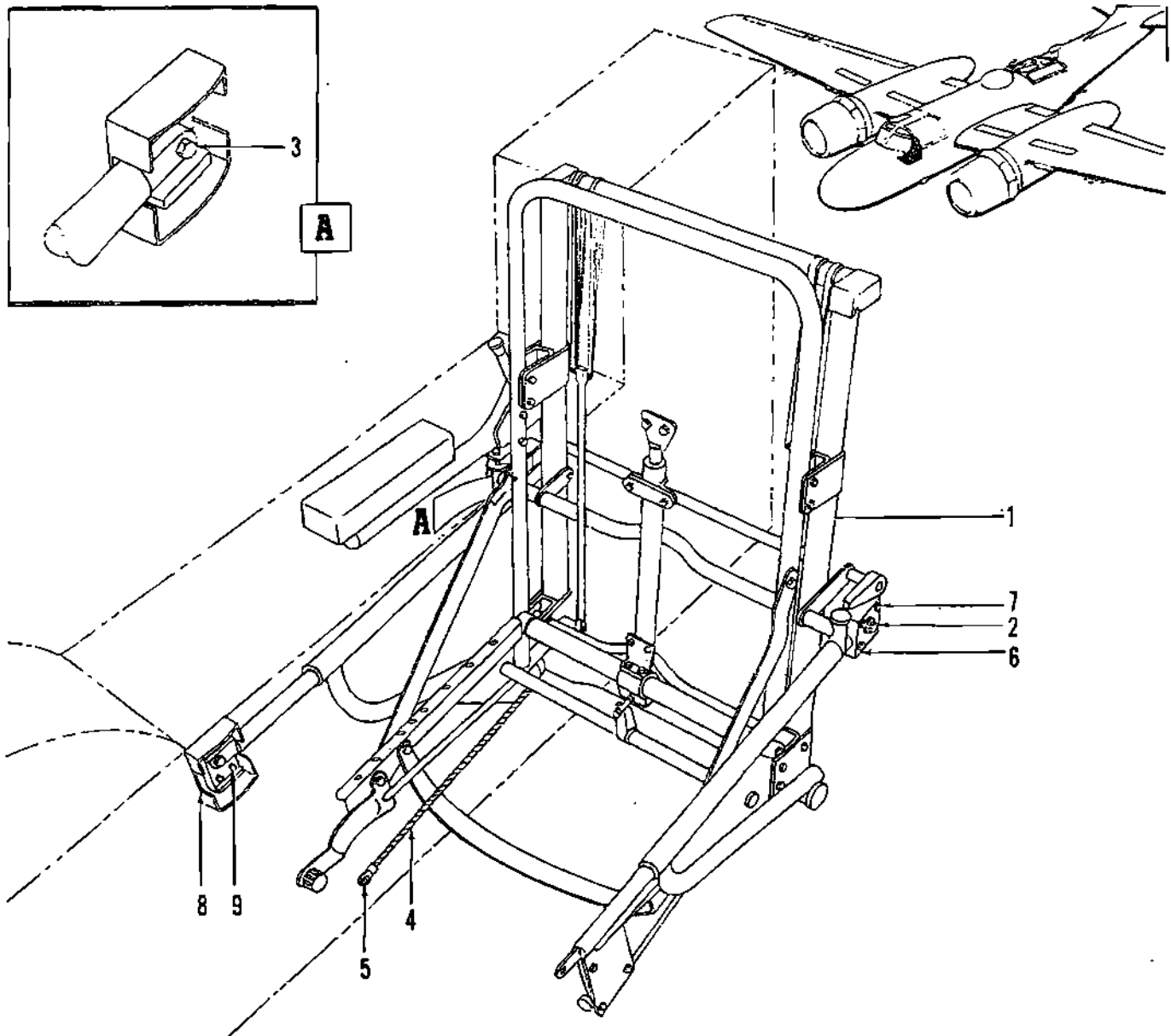
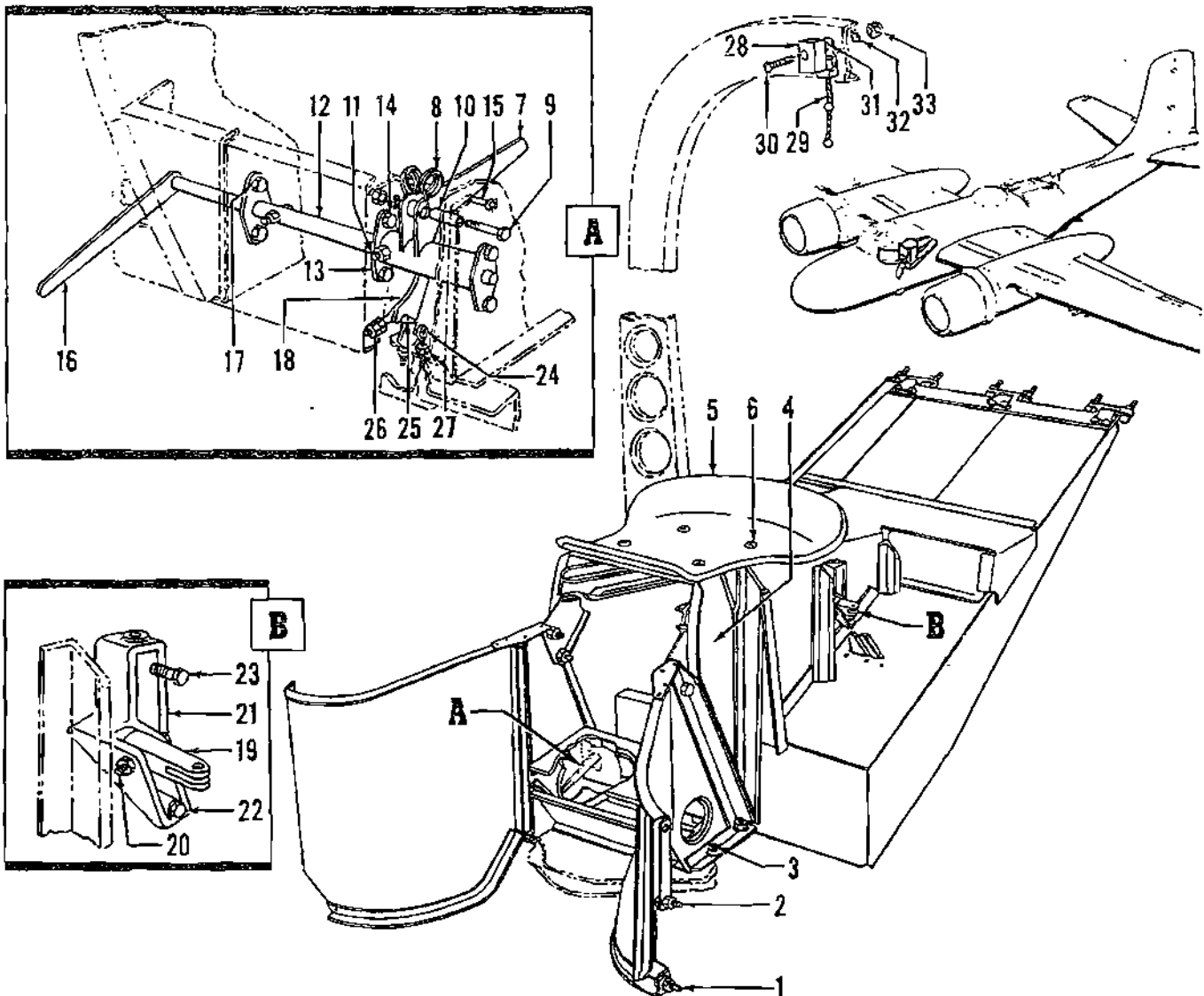


Figure 44. Pilot's Seat Installation

FIGURE & INDEX NO.	PART NO.	1	2	3	4	5	6	7	DESCRIPTION	UNITS PER ASSY	USABLE ON CODE
44-	5122228								SEAT INSTL, Pilot's (see figure 43)	1	
-1	220A-AS1								SEAT ASSY, Pilot complete (MWC) (part to be in accordance with Douglas Spec drawing number 5122229)	1	
									(ATTACHING PARTS)		
-2	AN4-16A								BOLT	2	
	2033900-8S120-026								SPACER	2	
	143908-008S116-125								WASHER	2	
-3	AN365-428								NUT	2	
	AN4-16A								BOLT	2	
	2033900-8S120-023								SPACER	2	
	143908-008S116-125								WASHER	2	
	1151055								WASHER	2	
	AN365-428								NUT	2	
-4	2203284								CORD ASSY, Pilot's seat	1	
									(ATTACHING PARTS)		

FIGURE & INDEX NO.	PART NO.	1 2 3 4 5 6 7	DESCRIPTION	UNITS PER ASSY	USABLE ON CODE
44-5	AN515-8-8 AN960D8 AN365-832		SCREW WASHER NUT	1 1 1	
-6	2159681		MOUNT, Pilot seat shock (reworked Lord number 423) (ATTACHING PARTS)	2	
-7	AN3-4A AN960D10 AN365-1032		BOLT WASHER NUT	4 4 4	
-8	2159681		MOUNT, Pilot seat shock (reworked Lord number 423) (ATTACHING PARTS)	2	
-9	AN3-5A AN960D10 AN365-1032		BOLT WASHER NUT	4 4 4	

FUSELAGE



2.4 3-6-3

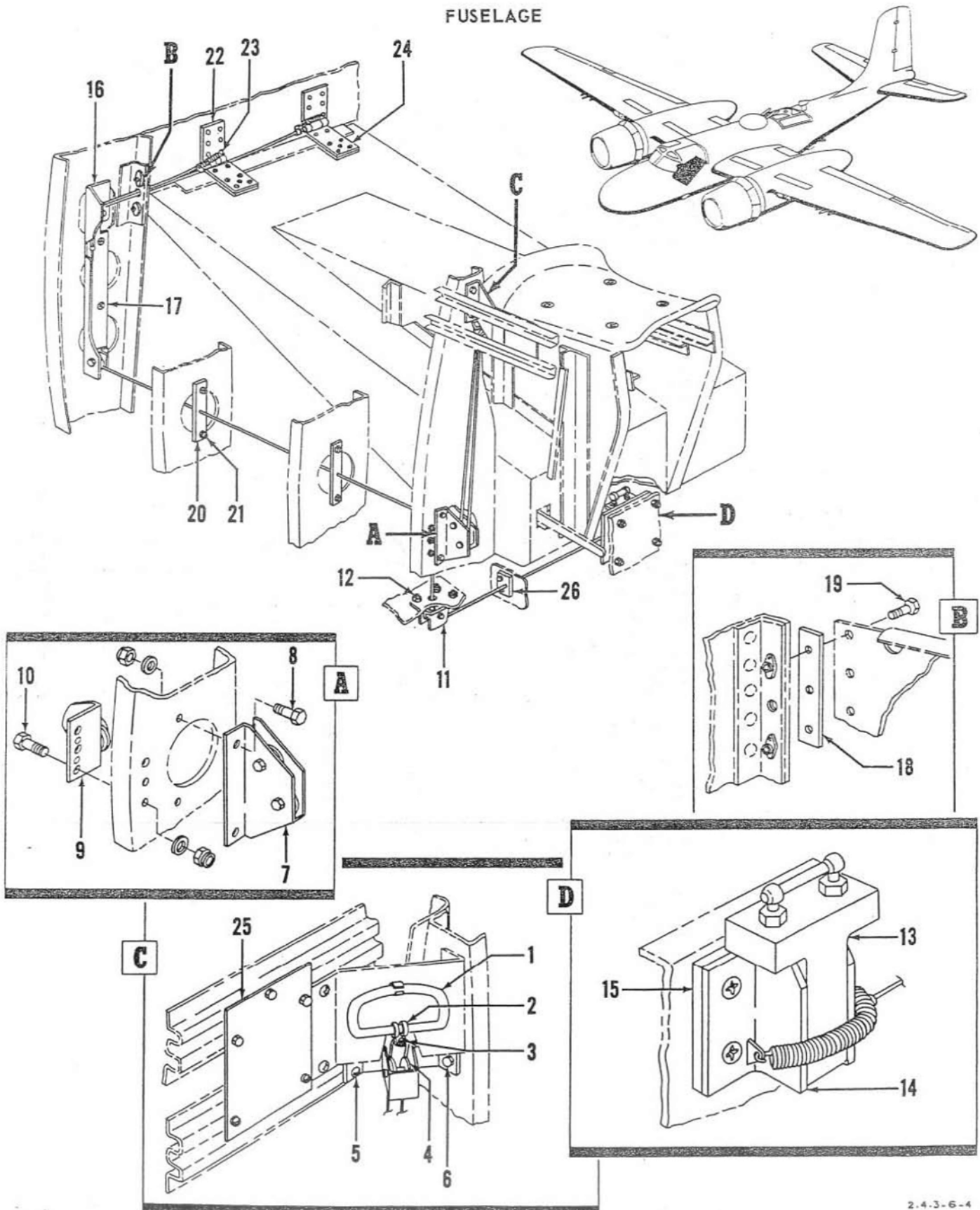
Figure 45. Forward Gunner's Seat Installation

Section II
Group Assembly Parts List

T.O. 1B-26B-4

FIGURE & INDEX NO.	PART NO.	1 2 3 4 5 6 7	DESCRIPTION	UNITS PER ASSY	USABLE ON CODE
45-	5157230		SEAT INSTL, Forward gunner's (mod by 1B-26-137) (see figure 43)	Ref	A
	5207307		SEAT INSTL, Forward gunner's (mod by 1B-26-137) (see figure 43)	Ref	B
-1	AN3-6A		BOLT	1	A
	AN960D10		WASHER	1	A
	AN365-1032		NUT	1	A
-2	AN3-5A		BOLT	1	A
	AN960D10		WASHER	1	A
	AN365-1032		NUT	1	A
-3	AN3-5A		BOLT	2	A
	AN960D10		WASHER	2	A
	AN365-1032		NUT	2	A
	5157230-86		SEAT ASSY, Forward gunner	1	A
	5207614		SEAT ASSY, Forward gunner	1	B
-4	5157230-82		SUPPORT ASSY, Forward gunner seat	1	A
-5	5157231		SEAT, Forward gunner	1	A, B
			(ATTACHING PARTS)		
-6	1087510-10-10		SCREW, 100 recessed flathead	4	A, B
	AN365-1032		NUT	4	A, B
-7	2193749		HANDLE, Forward gunner access door latch outer	1	A, B
-8	1193965		SPRING, Forward gunner	1	A, B
-9	AN3-13A		BOLT	1	A, B
	AN960-10		WASHER	1	A, B
	AN365-1032		NUT	1	A, B
-10	2033900-5S049-031		TUBE, Chromium molybdenum steel	1	A, B
-11	AN3-12A		BOLT	1	A, B
	AN365-1032		NUT	1	A, B
-12	1190101		SHAFT, Forward gunner access door latch	1	A, B
-13	1190104		BRACKET, Forward gunner access door latch	3	A, B
-14	AN3-6A		BOLT	6	A, B
	AN365-1032		NUT	6	A, B
-15	1190154		TUBE, Forward gunner access door latch	1	A, B
-16	1190102		HANDLE, Forward gunner access door latch	1	A, B
-17	AN3-7A		BOLT	1	A, B
	AN365-1032		NUT	1	A, B
-18	1193964		HOOK, Forward gunner access door latch	1	A, B
-19	2207366		LINK, Safety belt connector	2	B
-20	AN4-16A		BOLT	1	B
	AN960-416L		WASHER	1	B
	AN365-428		NUT	1	B
-21	2207365		BRACKET ASSY, Safety belt attachment LH	1	B
	2207365-1		BRACKET ASSY, Safety belt attachment RH	1	B
			(ATTACHING PARTS)		
-22	AN3-7A		BOLT	2	B
	AN960-10L		WASHER	2	B
	AN365-1032		NUT	2	B
-23	AN3-10A		BOLT	4	B
	AN960-10L		WASHER	4	B
	AN365-1032		NUT	4	B
-24	1190125		LUG, Forward gunner access door latch	2	A, B
	1190126		PIN, Forward gunner access door latch	1	B
-25	2207641		PIN, Forward gunner access door latch	1	A, B
-26	AN365-1032-26		NUT	2	A
	AN365-1032		NUT	2	B
	AN960D10		WASHER	2	A
	AN960-10L		WASHER	2	B
-27	AN315-3R		NUT	2	A, B
	AN960D10		WASHER	2	A, B
-28	1199601		BLOCK, Forward gunner seat support latch	1	A, B
-29	2196636		CABLE ASSY, Forward gunner seat support latch	1	A, B
-30	AN526-1032-26		SCREW	1	A, B
-31	2033900-5S049-003		SPACER	1	A, B
-32	AN960D10		WASHER	1	A, B
-33	AN365-1032		NUT	1	A, B
			A USAF 41-39100 thru 41-39349		
			43-22252 thru 43-22399		
			43-22467 thru 43-22493		
			B USAF 41-39350 thru 41-39599		
			43-22400 thru 43-22466		
			43-22494 thru 43-22751		
			44-34098 thru 44-36797		

FUSELAGE



2.4.3-6-4

Figure 46. Improved Crew Escape Kit Installation

Section II

T.O. 1B-26B-4

Group Assembly Parts List

FIGURE & INDEX NO.	PART NO.	DESCRIPTION							UNITS PER ASSY	USABLE ON CODE
		1	2	3	4	5	6	7		
46-	No Number	KIT INSTL, Improved Crew escape (installed by T.O. 1B-26-173)							1	
-1	51B647	CABLE ASSY, Release escape seat							1	
-2	AN742-8C	CLAMP							1	
-3	AN520-10-7	SCREW							1	
	AN365-1032	NUT							1	
-4	51B653	PULLEY ASSY, Release cable sta 88 escape seat upper							1	
-5	AN526-1032-8	SCREW							2	
-6	AN3-5A	BOLT							2	
	AN960-10	WASHER							2	
	AN365-1032	NUT							2	
-7	51B656	PULLEY ASSY, Release cable sta 88 escape seat fwd							1	
-8	AN3-5A	BOLT							2	
	AN960-10	WASHER							2	
	AN365-1032	NUT							2	
-9	51B663	PULLEY ASSY, Release cable sta 88 escape seat lower aft							1	
-10	AN3-11A	BOLT							3	
	AN960-10	WASHER							3	
	AN365-1032	NUT							3	
-11	51B667	PULLEY ASSY, Release cable escape seat							1	
-12	AN3-4A	BOLT							4	
	AN960-10	WASHER							4	
	AN365-1032	NUT							4	
-13	51B671	LATCH ASSY, Access door escape seat							1	
-14	51B675L	BRACKET, Latch access door escape seat							1	
	51B675R	BRACKET, Latch access door escape seat							1	
-15	51A676	PLATE, Latch access door escape seat							1	
		(ATTACHING PARTS)								
	AN509-10R16-14	SCREW							4	
	AN960-10	WASHER							4	
	AN365-1032	NUT							4	
-16	51C678	PULLEY ASSY, Release cable sta 120 escape seat							1	
-17	AN507-1032R14	SCREW							2	
	AN960-10	WASHER							2	
	AN365-1032	NUT							2	
-18	51B685	FAIRLEAD, Release cable sta 120 escape seat							1	
-19	AN3-7A	BOLT							2	
-20	51B677	FAIRLEAD, Release cable sta 97 and 105 escape seat							2	
		(ATTACHING PARTS)								
-21	AN3-5A	BOLT							4	
	AN960-10	WASHER							4	
	AN365-1032	NUT							4	
-22	2119391-2	HINGE, Female							2	
		(ATTACHING PARTS)								
	AN510-10R14	SCREW							5	
	AN960-10	WASHER							5	
	AN365-1032	NUT							5	
-23	AN520-10R16	SCREW							2	
	51B692	CLIP, Safety release cable escape seat							2	
-24	2119464-2	HINGE, Male							2	
		(ATTACHING PARTS)								
	AN510-10R11	SCREW							7	
	AN960-10	WASHER							7	
	AN365-1032	NUT							7	
-25	51A686	SPACER, Male hinge access door escape seat							1	
	51C646	BRACKET ASSY, Release handle escape seat							1	
		(ATTACHING PARTS)								
	AN526-1032-8	SCREW							2	
	AN3-5A	BOLT							3	
	AN960-10	WASHER							3	
	AN365-1032	NUT							3	
-26	51A670	FAIRLEAD, Release cable lower box structure							1	
		(ATTACHING PARTS)								
	AN3-5A	BOLT							2	
	AN960-10	WASHER							2	
	AN365-1032	NUT							2	

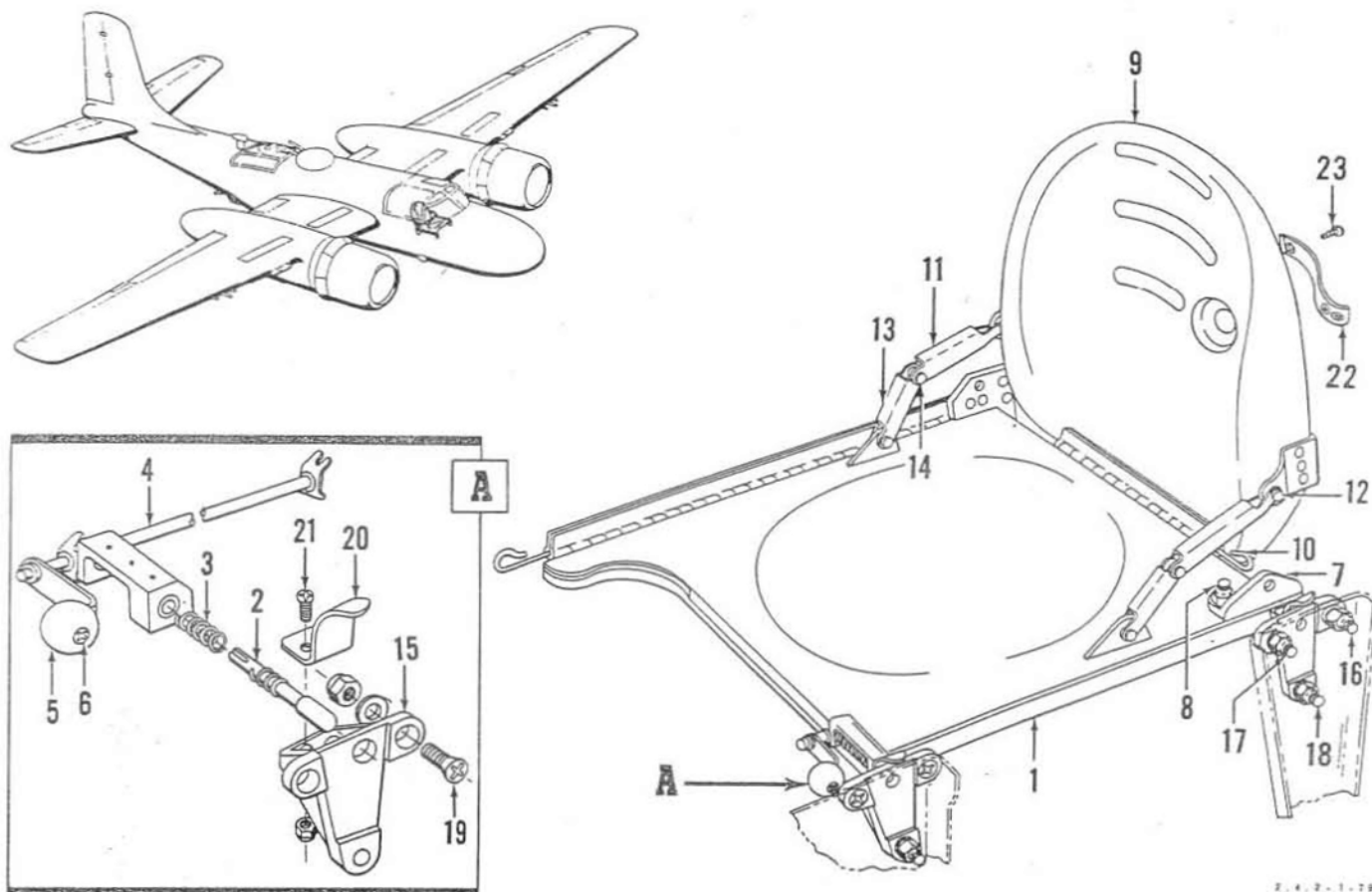


Figure 47. Navigator's Seat Installation

FIGURE & INDEX NO.	PART NO.	1 2 3 4 5 6 7	DESCRIPTION	UNITS PER ASSY	USABLE ON CODE
47-	5122230		SEAT INSTL, Navigator's (see figure 43)	Ref	
	5208648		SEAT ASSY, Navigator complete	1	
	5208981		SEAT ASSY, Navigator	1	
-1	5208981-6		SEAT ASSY, Navigator	1	
-2	1151549		PIN ASSY, Navigator seat latch	2	
-3	1151559		SPRING, Navigator seat latch	2	
	4208674		TUBE ASSY, Navigator seat latch	1	
-4	4208674-4		TUBE ASSY	1	
-5	NAS121R093		KNOB (formerly 2062609-2R4R093)	1	
-6	AN507-1032R14		SCREW (formerly 1087510-10-14)	2	
-7	1154403		FITTING, Navigator seat safety belt (ATTACHING PARTS)	1	
-8	AN3-6A		BOLT	1	
	AN960D10		WASHER	1	
	AN365-1032		NUT	1	
-9	5208654		SUPPORT ASSY, Navigator back	1	
-10	1000759S120-1108		PIN, Hood hinge	1	
-11	2208724		BRACE, Navigator back support	1	
-12	AN393-13		PIN	2	
	117426-6S012		SPACER	2	
	AN960-10		WASHER	2	
-13	2208723		BRACE, Navigator back support lower	2	
-14	AN393-19		PIN	2	
	117426-6S012		SPACER	2	
	AN960-10		WASHER	2	
-15	4209079		SUPPORT, Navigator seat (ATTACHING PARTS)	2	
-16	AN3-11A		BOLT	1	
	AN960-10		WASHER	1	
	AN365-1032		NUT	1	

Section II
Group Assembly Parts List

T.O. 1B-26B-4

FIGURE & INDEX NO.	PART NO.	DESCRIPTION							UNITS PER ASSY	USABLE ON CODE	
		1	2	3	4	5	6	7			
47-17	AN3-14A									1	
	AN960-10									1	
	AN365-1032									1	
-18	AN3-10A									2	
	AN960-10									4	
	AN365-1032									4	
-19	AN507-428R14									2	
	AN365-428									2	
-20	2209181									2	
-21	AN507-428R12									2	
	AN960-10									4	
	AN365-428									4	
-22	2209237									1	
-23	AN530-8R8									2	

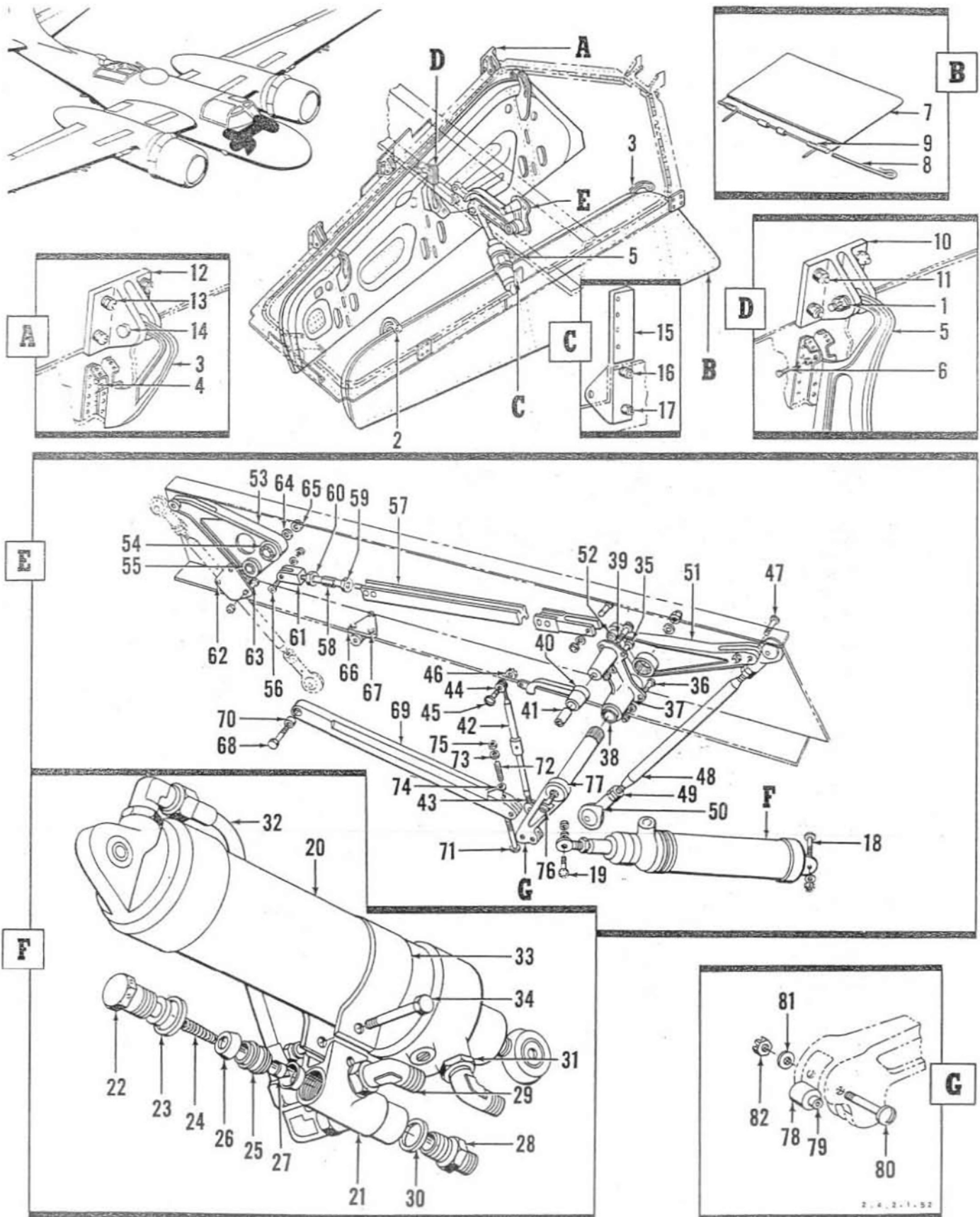


Figure 48. Nose Wheel Door Installation

Section II
Group Assembly Parts List

T.O. 1B-26B-4

FIGURE & INDEX NO.	PART NO.	1 2 3 4 5 6 7	DESCRIPTION	UNITS PER ASSY	USABLE ON CODE
48-	5122157		DOOR INSTL, Nose wheel (see figure 40)	Ref	
	5122158		DOOR ASSY, Nose wheel LH	1	A
	5122158-1		DOOR ASSY, Nose wheel RH	1	A
	5208335		DOOR ASSY, Nose wheel LH	1	B
	5209434		DOOR ASSY, Nose wheel LH	1	C
	5207419		DOOR ASSY, Nose wheel RH	1	B,C
			(ATTACHING PARTS)		
-1	AN4-15		BOLT	6	
	1026614G4-024		SPACER, Steel OD bearing grease finish	6	
	AN960-416L		WASHER	6	
	AN310-4		NUT	6	
			-----*-----		
	5122158-30		DOOR ASSY, Nose wheel LH	1	A
	5122158-31		DOOR ASSY, Nose wheel RH	1	A
	5208335-30		DOOR ASSY, Nose wheel LH	1	B
	5209434-30		DOOR ASSY, Nose wheel LH	1	C
	5207419-26		DOOR ASSY, Nose wheel RH	1	B,C
-2	4129484-2		HINGE, Nose wheel door	1	
-3	4129484-4		HINGE, Nose wheel door	1	
			(ATTACHING PARTS)		
-4	AN3-6A		BOLT	6	
	AN960-10		WASHER	6	
	AN365-1032		NUT	6	
			-----*-----		
-5	4129492		HINGE, Nose wheel door	1	
			(ATTACHING PARTS)		
-6	AN3-6A		BOLT	8	
	AN960-10		WASHER	8	
	AN365-1032		NUT	8	
			-----*-----		
-7	2208161		FLAP ASSY, Nose wheel door LH	1	B
	2208733		FLAP ASSY, Fuselage upper step LH	1	C
			(ATTACHING PARTS)		
-8	1027965-091-514		PIN, Stainless steel hinge LH	1	B
	1027965-091-614		PIN, Stainless steel hinge LH	1	C
			-----*-----		
-9	133509-15		SPRING, Standard	2	B,C
-10	2129227		HINGE, Nose wheel door	2	
			(ATTACHING PARTS)		
-11	AN3-7A		BOLT	4	
	AN960-10L		WASHER	4	
	AN365-1032		NUT	4	
			-----*-----		
-12	2129226		HINGE, Nose wheel door fuselage	4	
			(ATTACHING PARTS)		
-13	AN3-6A		BOLT (Three used on RH aft hinge)	4	
	AN960-10L		WASHER	4	
	AN365-1032		NUT	4	
-14	AN3-11A		BOLT (Used on RH aft hinge)	1	
			-----*-----		
-15	2150888		FITTING, Nose wheel door operating mechanism	1	
			(ATTACHING PARTS)		
-16	AN3-11A		BOLT	1	
	AN960-10L		WASHER	1	
	AN365-1032		NUT	1	
-17	AN4-11A		BOLT	1	
	AN960-416L		WASHER	1	
	AN365-428		NUT	1	
			-----*-----		
	5122160		DOOR OPERATING MECHANISM INSTL, Nose wheel	1	
	4207091		CYLINDER AND VALVE ASSY, Nose wheel door actuating	1	
			(ATTACHING PARTS)		
-18	AN24-19		BOLT	1	
	AN960D416		WASHER	1	
	AN320-4		NUT	1	
-19	AN24-21		BOLT	1	
	AN960D416		WASHER	1	
	AN320-4		NUT	1	
			-----*-----		
-20	4207061		CYLINDER, Nose wheel door actuating (use Stock	1	
			Number 4627-2070)		
-21	4129449		VALVE ASSY, Nose wheel door actuating cylinder shuttle	1	
-22	4129448		BODY, Nose wheel door actuating cylinder shuttle	1	
-23	2129306		PLUG, Shuttle valve 1/4-in.	1	
	143908-022T		WASHER	1	
	C030-061				
-24	1128978		SPRING, Shuttle valve 1/4-in.	1	
-25	1128979		SPACER, Shuttle valve 1/4-in.	1	
-26	H107675-010		SEAT, Shuttle valve (HYP) (emergency substitute part can	2	
			be made from AN6226-2)		
-27	2276748		CONE, Shuttle valve 1/4-in.	1	
-28	AN815-4D		UNION	1	
-29	AN833-4D		ELBOW	4	
-30	AN6290-4		GASKET	5	
-31	AN924-4D		NUT	4	

FIGURE & INDEX NO.	PART NO.	DESCRIPTION							UNITS PER ASSY	USABLE ON CODE
		1	2	3	4	5	6	7		
48-32	4152501-12								1	
-33	2207053								1	
-34	AN3-16								1	
	AN960D10								1	
	AN365-1032								1	
	4129566								1	
-35	AN4-11A								2	
	AN960D416								2	
	AN365-428								2	
-36	AN5-10A								2	
	AN960D516								2	
	AN365-524								2	
-37	4129566-2								1	
-38	1150508								2	
	2150793								1	
-39	AN26-52								1	
	AN960D616								1	
	AN320-4								1	
-40	2150793-2								1	
-41	A521-11								1	
-42	AN155-16L								1	
-43	AN161-16LS								1	
-44	AN165-16S								1	
-45	AN23-16								2	
-46	AN320-3								2	
	2129388								2	
-47	AN24-21								2	
	AN960D416								2	
	AN320-4								2	
-48	2085485-910								1	
-49	AN316-5R								2	
-50	AREA 4								2	
	4129510								1	
-51	4129510-2								1	
-52	AR4-1								1	
	4129512								1	
-53	4129512-2								1	
-54	AR4-1								1	
-55	NR8L14								1	
	2153928								1	
-56	AN24-19								2	
	AN960D416								2	
	AN320-4								2	
-57	2153928-6								1	
-58	1154425								1	
-59	AN316-6L								1	
-60	AN316-6R								1	
-61	1154424								1	
-62	4129549								1	
-63	AN4-6A								3	
	AN365-428								3	
-64	AN945-8								1	
-65	AN320-8								1	
-66	2150786								1	
-67	AN3-7A								3	
	AN960D10								3	
	AN364-1032								3	
	4278482								1	
-68	AN4-25								1	
	1026614G04-021								1	
	AN960D416								2	
	AN320-4								1	
-69	4278482-2								1	
-70	A532								1	
-71	176000-4S33ND215								1	
-72	2278448								1	
-73	AN940D416								1	
-74	2278449								2	
-75	AN364-428								2	
	4129532								1	

Section II
Group Assembly Parts List

T.O. 1B-26B-4

FIGURE & INDEX NO.	PART NO.	1	2	3	4	5	6	7	DESCRIPTION	UNITS PER ASSY	USABLE ON CODE
4S-76	AN24-2BA AN970-4 AN365-428								(ATTACHING PARTS) BOLT WASHER NUT	1 1 1	
-77	4129532-2								LEVER ASSY, Nose wheel door actuating LH	1	
-78	1204093								ROLLER, Nose wheel door actuating arm	1	
-79	7705847								BEARING, Nose wheel door actuating mechanism	1	
-80	AN24-19								BOLT	1	
-81	AN960-416L								WASHER	1	
-82	AN320-4								NUT	1	
									A USAF 41-39100 thru 41-39349 B USAF 41-39350 thru 41-39599 43-22252 thru 43-22751 C USAF 44-34098 thru 44-34617 44-34618 thru 44-35996		

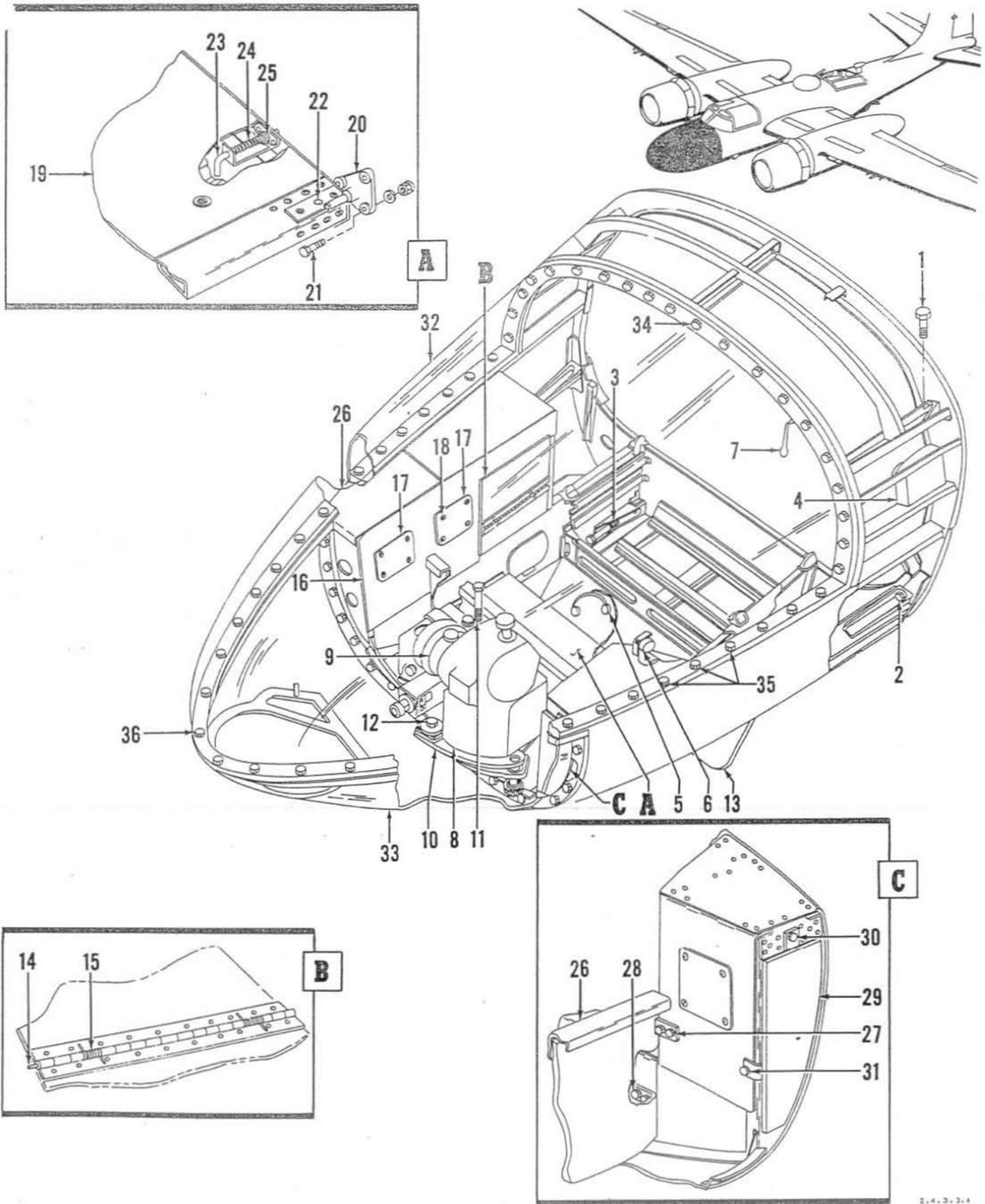


Figure 49. Bombardier Nose Installation

Section II

T.O. 1B-26B-4

Group Assembly Parts List

FIGURE & INDEX NO	PART NO.	1 2 3 4 5 6 7	DESCRIPTION	UNITS PER ASSY	USABLE ON CODE
48-	5202400 5202401		NOSE INSTL, Bombardier..... NOSE ASSY, Bombardier complete (ATTACHING PARTS)	1 1	A, B A, B
-1	AN3-78A10A AN960-116 AN365-14D437-101		BOLT..... WASHER..... SPACER.....	1 1 1	A, B A, B A, B
-2	AN3-78A10A AN960-116 AN365-114		BOLT..... WASHER..... NUT.....	1 1 1	A, B A, B A, B
-3	AN3-78A10A AN960-116 AN365-114		BOLT..... WASHER..... WASHER, Chromium molybdenum steel NUT.....	1 1 1 1	A, B A, B A, B A, B
-4	5202402		ELECTRICAL INSTL, Bombardier nose (see figure 10)	1	A, B
-5	5202403		ELECTRICAL INSTL, Bombardier nose (see figure 10)	1	A, B
-6	5202404		RESTRAINT INSTL, Bombardier nose (see figure 10)	1	A, B
-7	5202405		FURNISHING INSTL, Bombardier nose (see figure 10)	1	A, B
-8	5202406		BOMB SIGHT INSTL, Bombardier nose	1	A, B
-9	AN3-78A10A		BOMB SIGHT MOUNT, Type B, BSR	1	A, B
-10	AN3-78A10A		BOLT, Bombardier	1	A, B
-11	AN3-78A10A		BOLT	1	A, B
-12	5202407		STRUCTURE ASSY, Bombardier nose	1	A, B
-13	5202408		ACCESS DOOR INSTL, Bombardier nose (see figure 10)	1	A, B
	5202409		FIXED GUN FENDER AND DATA BOX INSTL, Bombardier nose	1	A, B
	5202410		BOX ASSY, Bombardier nose gun	1	A, B
-14	121803-081-1104		PIN	1	A, B
-15	120505-12		SPRING, Standard hinge	2	A, B
-16	120505-12		FENDER ASSY, Bombardier nose fixed guns	1	A, B
-17	120505-12		COVER, Bombardier nose fixed guns under hand hole	2	A, B
	120505-12		GASKET, Bombardier nose fixed gun fender hand hole (ATTACHING PARTS)	1	A, B
-18	AN365-10-2		SCREW	8	A, B
-19	5202411		FOLDING FLOOR INSTL, Bombardier nose	1	A, B
-20	1204774		SUPPORT ASSY, Bombardier nose folding floor hinge (ATTACHING PARTS)	2	A, B
-21	AN3-6A AN960D10 AN365-1032		BOLT..... WASHER..... NUT.....	6 6 6	A, B A, B A, B
-22	5204757		FLOOR ASSY, Bombardier folding	1	A, B
-23	AN365-1032RB AN960-10L AN365-1032		SCREW..... WASHER..... NUT.....	6 6 6	A, B A, B A, B
-24	1204754		PIN	2	A, B
-25	1204724		SPRING	1	A, B
-26	AN960-10L 5204779		WASHER..... TUBE ASSY, Bombardier nose blast	1 1	A, B A, B
-27	5202411 3205569		REMOVABLE ARMOR PLATE INSTL, Bombardier nose PLATE ASSY, Bombardier nose (ATTACHING PARTS)	1 1	A, B A, B
-28	AN3-6A AN960-10 AN365-1032		BOLT..... WASHER..... NUT.....	4 4 4	A, B A, B A, B
-29	AN3-5A AN960D10 AN365-1032		BOLT..... WASHER..... NUT.....	4 4 4	A, B A, B A, B
-30	4205468		ARMOR PLATE ASSY, Bombardier nose (ATTACHING PARTS)	1	A, B
-31	AN4-7A AN960-416 AN365-428		BOLT..... WASHER..... NUT.....	1 1 1	A, B A, B A, B
-32	AN4-6A AN960-416 AN365-428		BOLT..... WASHER..... NUT.....	1 1 1	A, B A, B A, B
-33	5203670		GLASS INSTL, Fuselage nose (modified by T.O. 1B-26-203)	1	A, B
-34	5203669 5418740		PANEL ASSY, Plexiglas nose enclosure upper PANEL ASSY, Plexiglas nose enclosure lower (ATTACHING PARTS)	1 1	A, B A, B
-35	AN3-13A 124682-3S10-062		BOLT..... WASHER.....	54 54	A, B A, B

FIGURE & INDEX NO.	PART NO.	DESCRIPTION							UNITS PER ASSY	USABLE ON CODE	
		1	2	3	4	5	6	7			
49-	1080930-04C.064-020								TUBE.....	54	A, B
	2033900-4S028-026								SPACER.....	54	A, B
-35	1080930-03C.187-004								TUBE.....	54	A, B
	AN960-10								WASHER.....	54	A, B
	AN365-1032								NUT.....	54	A, B
	AN3-13A								BOLT.....	3	A, B
	124682-3S10-062								WASHER.....	6	A, B
	1080930-04C.064-020								TUBE.....	3	A, B
	2033900-4S028-026								SPACER.....	3	A, B
	1080930-03C.187-004								TUBE.....	3	A, B
	22A21-6-02								NUT (EN).....	3	A, B
	AN3-20A								BOLT.....	16	A, B
-36	124682-3S10-062								WASHER.....	32	A, B
	1080930-04C.064-112								TUBE.....	16	A, B
	2033900-4S028-119								SPACER.....	16	A, B
	1080930-03C.187-004								TUBE.....	32	A, B
	AN365-1032								NUT.....	16	A, B
	5202406								HEAT AND VENT INSTL, Bombardier nose (See figure 109).....	1	A
	5208044								HEATER PROVISIONS INSTL, Bombardier nose 100,000 BTU ram operated (See figure 109).....	1	B
									A USAF 43-22467 thru 43-22571		
									B USAF 44-35198 thru 44-36797		

Section II
Group Assembly Parts List

T.O. 1B-26B-4
FUSELAGE

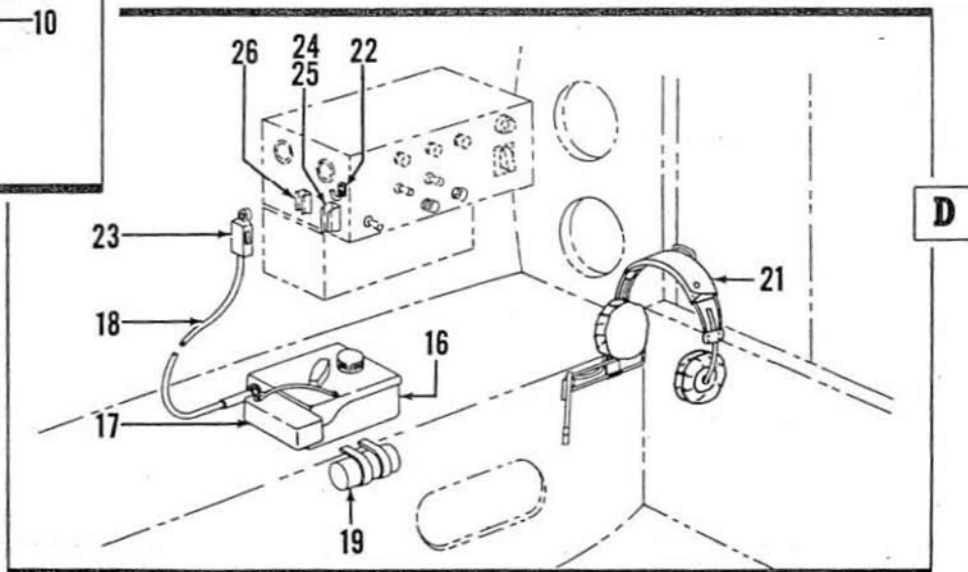
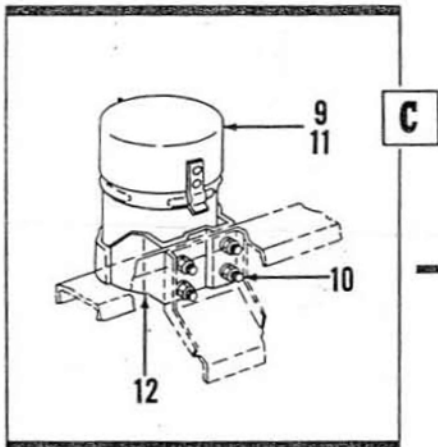
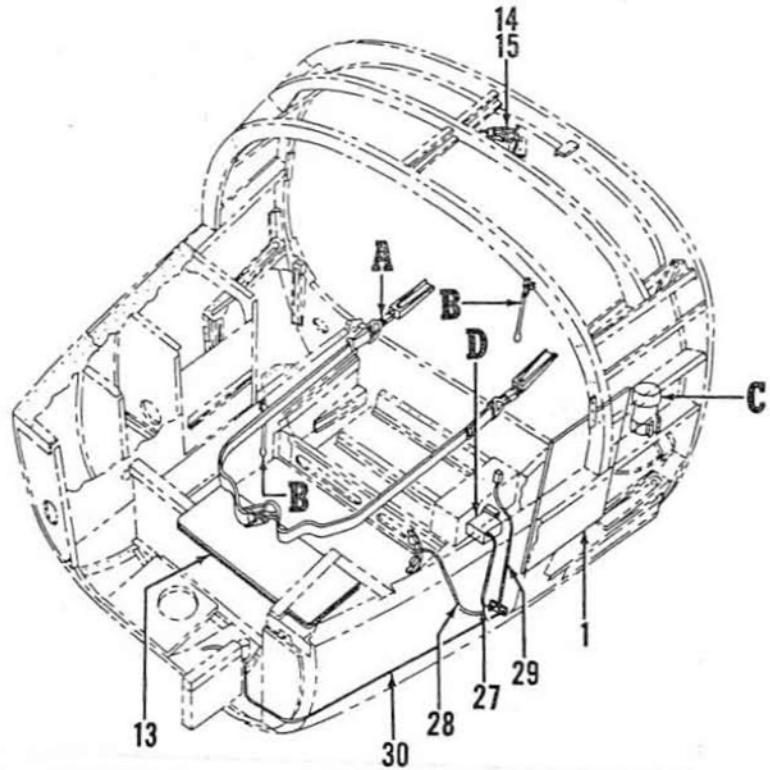
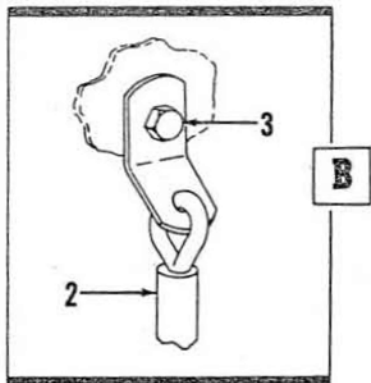
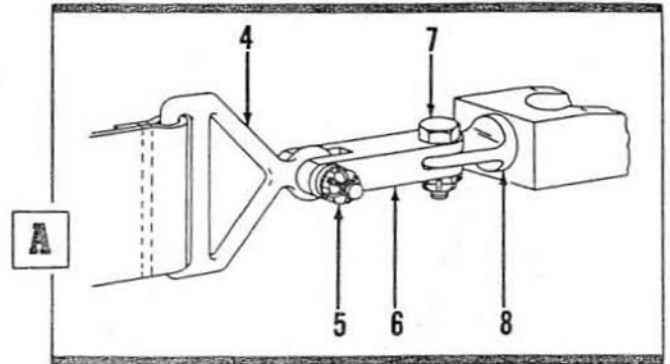
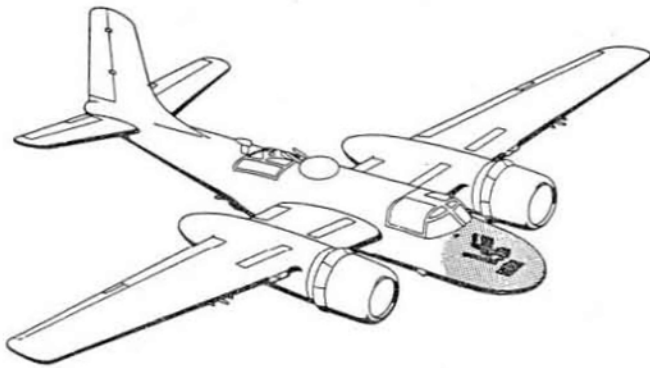


Figure 50. Bombardier Nose Radio System and Furnishings Installation

2-4-3-6-1

FIGURE & INDEX NO.	PART NO.	1 2 3 4 5 6 7	DESCRIPTION	UNITS PER ASSY	USABLE ON CODE
50-			BOMBARDIER NOSE, RADIO SYSTEM AND FURNISHINGS INSTL		
	5202412		FURNISHINGS INSTL, Bombardier nose (see figure 49).....	Ref	A
-1	4204281		BOARD ASSY, Bombardier chart.....	1	A
-2	2205642		STRAP ASSY, Bombardier assist.....	2	A
			(ATTACHING PARTS)		
-3	AN3-4		BOLT.....	1	A
	AN960-10		WASHER.....	1	A
	AN320-3		NUT.....	1	A
			--- * ---		
-4	34G1646		BELT ASSY, Type B11 (GFP).....	1	A
			(ATTACHING PARTS)		
-5	AN4-11A		BOLT.....	2	A
	AN960-416		WASHER.....	2	A
	AN310-4		NUT.....	2	A
			--- * ---		
-6	1205690		LINK, Safety belt attachment.....	2	A
			(ATTACHING PARTS)		
-7	AN6-10		BOLT.....	2	A
	AN960-616		WASHER.....	2	A
	AN310-6		NUT.....	2	A
			--- * ---		
-8	AN47-10		BOLT.....	2	A
	AN960-716		WASHER.....	2	A
	AN310-7		NUT.....	2	A
-9	4195650		CONTAINER ASSY, Crew relief complete.....	1	A
			(ATTACHING PARTS)		
-10	ANS25-10-10		SCREW.....	4	A
	AN960-10L		WASHER.....	4	A
	AN365-1032		NUT.....	4	A
			--- * ---		
-11	4195649		CONTAINER ASSY, Crew relief.....	1	A
-12	4194770		BRACKET ASSY, Crew relief container.....	1	A
-13	4206143		PAD ASSY, Bombardier folding floor knee.....	1	A
	5202431		RADIO INSTL, Bombardier nose (see figure 49).....	Ref	A
-14	AN3106-20-11P		CONNECTOR.....	1	A
-15	AN3057-12		ADAPTER.....	1	A
	5204490		JACK BOX INSTL, Bombardier interphone.....	1	A
	4123127		BOX ASSY, Pilot and aft gunner jack.....	1	A
-16	4123127-2		BOX.....	1	A
-17	MC385B		ADAPTER, Headset (GFP).....	1	A
-18	42D4502		CORD ASSY, Interphone jack box to microphone type.....	1	A
			CD50B (GFP)		
-19	MX1646-AIC		MICROPHONE, Adapter (Installed by T.O. 1B-26-515).....	1	A
-20	Deleted				
-21	H78-AIC		HEADSET AND MICROPHONE ASSY, (GFAE).....	1	A
-22	141905		HOOK, Microphone.....	1	A
-23	SA26-U		SWITCH.....	1	A
-24	43A12738		CLIP, P.B. switch stowing.....	1	A
			(ATTACHING PARTS)		
-25	AN515-6R8		SCREW.....	2	A
	AN960-6		WASHER.....	2	A
	AN365-632		NUT.....	2	A
			--- * ---		
-26	1019534		CLIP, Radio headset connector cord.....	2	A
-27	5154952L50		CORDAGE, Jack box to terminal strip.....	1	A
-28	5154952H34		CORDAGE, Bombardier's microphone to terminal strip.....	1	A
-29	5154952N50		CORDAGE, Aft microphone switch to terminal strip.....	1	A
-30	5154952N60		CORDAGE, Forward microphone switch to terminal strip.....	1	A
			A USAF 43-22467 thru 43-22751 44-35198 thru 44-35996		

Section II
Group Assembly Parts List

T.O. 1B-26B-4
FUSELAGE

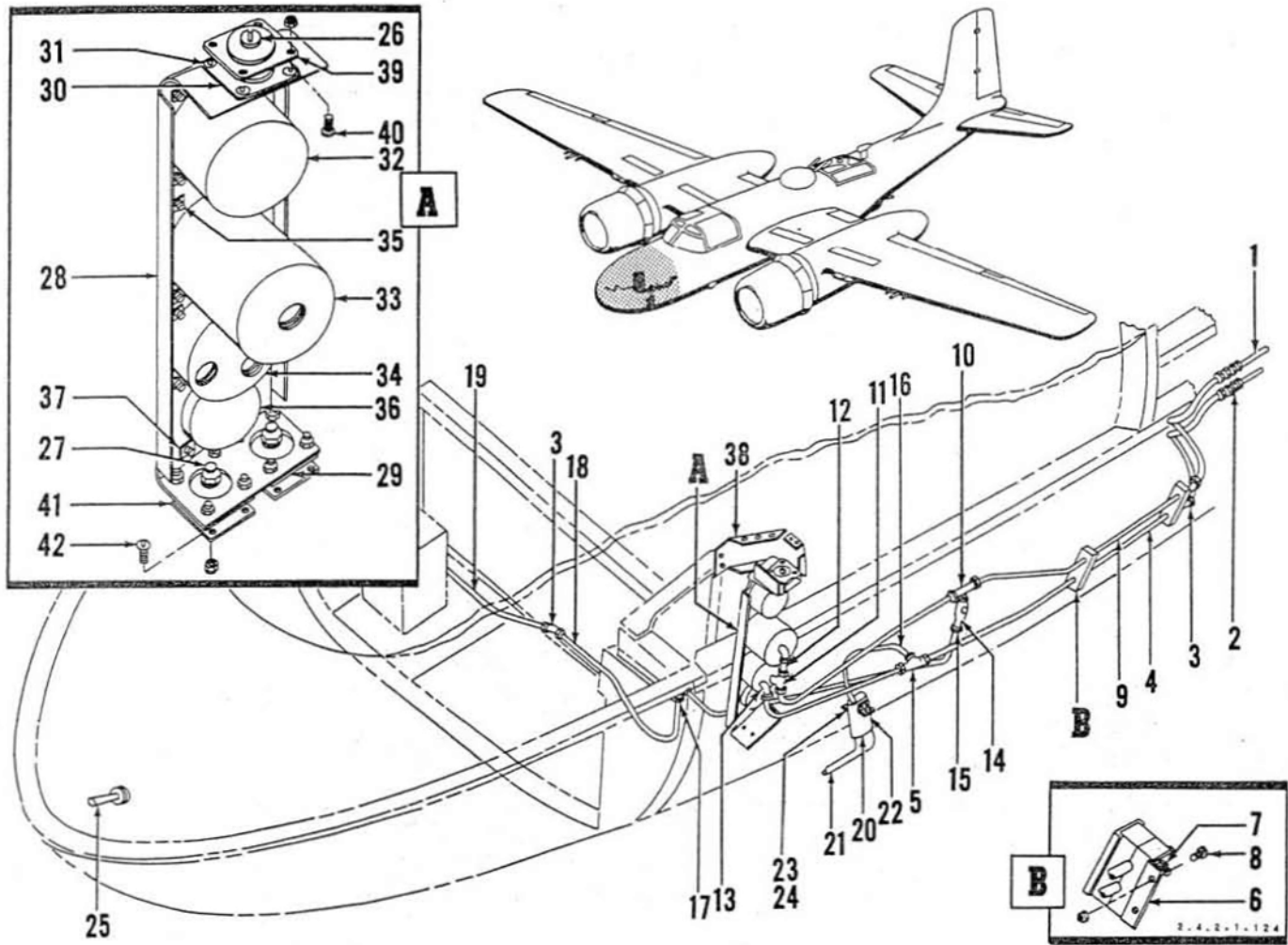


Figure 51. Bombardier Nose Instrument Installation

FIGURE & INDEX NO.	PART NO.	DESCRIPTION							UNITS PER ASSY	USABLE ON CODE
		1	2	3	4	5	6	7		
51-	5202405	INSTRUMENT INSTL, Bombardier nose (see figure 49)							Ref	A
-1	No Number	HOSE, 1/4-in. ID (make from hose Spec MIL-H-5593)							7	A
-2	AN832-4D	UNION							2	A
-3	AN924-4D	NUT							2	A
-4	AN837-4D	ELBOW							3	A
-5	4205458-2	LINE ASSY, Airspeed pressure							1	A
-6	AN824-4D	TEE							1	A
-7	1205412	CLAMP ASSY							2	A
		(ATTACHING PARTS)								
-8	AN515-8-24	SCREW							2	A
-9	AN365-832	NUT							2	A
-10	AN515-8-6	SCREW							2	A
-11	AN365-832	NUT							2	A
-12	4205458-4	LINE ASSY, Airspeed static							1	A
-13	AN825-4D	TEE							1	A
-14	AN826-4D	TEE							1	A
-15	4205458-10	LINE ASSY							1	A
-16	AN823-4D	ELBOW							2	A
-17	765-10	COCK (USAF Standard)							1	A
-18	AN816-4D	UNION							1	A
-19	4205458-6	LINE ASSY, Glide sight static							1	A
-20	AN821-4D	ELBOW							1	A
-21	4205458-8	LINE ASSY, Glide sight static							1	A
-22	No Number	HOSE, 1/4-in. ID (make from hose Spec MIL-H-5593)							1	A
-23	4207839	ADAPTER							1	A
-24	AN5812-1	TUBE, Pitot static							1	A
-25	2207840	BRACKET, Pitot static							1	A
-26	2207841	BRACKET, Pitot static							1	A

FIGURE & INDEX NO.	PART NO.	DESCRIPTION							UNITS PER ASSY	USABLE ON CODE
		1	2	3	4	5	6	7		
51-24	AN507-632R12 AN365-632	(ATTACHING PARTS)							4	A
		SCREW (Formerly 1087510-6-12)							4	A
-25	No Number 2278548 5204630 5204629	THERMOMETER, Type C-13B free air (Spec MIL-T-6508A) (GFP)							1	A
		DOUBLER							1	A
		PANEL INSTL, Bombardier instrument							1	A
		PANEL ASSY, Bombardier instrument							1	
		(ATTACHING PARTS)								
-26	AN515-8-20 124682-2D16-032 117425-2D-004 AN365-832	SCREW							1	A
		WASHER							2	A
		SPACER							1	A
		NUT							1	A
-27	AN515-8-20 124682-2D16-032 AN365-632	SCREW							2	A
		WASHER							6	A
		NUT							2	A
		-----*-----								
-28	5204628	PANEL ASSY, Bombardier instrument							1	A
		INSULATOR							2	A
-29	AN8008D2	INSULATOR							1	A
		(ATTACHING PARTS)								
-30	AN8008D4	SCREW							4	A
		NUT							4	A
		-----*-----								
-31	AN526-832-6 AN385-832	COMPASS							1	A
		ALTIMETER							1	A
-32	AN5730-2	INDICATOR, Airspeed type F-3 (ECP)							1	A
		(ATTACHING PARTS)								
		SCREW							10	A
-33	AN5760-2D	WASHER							10	A
		NUT (TIN)							10	A
		CLOCK							1	A
		(ATTACHING PARTS)								
-34	1426-13E-A6	SCREW							2	A
		WASHER							2	A
		NUT (TIN)							2	A
-35	AN515B6-12 AN46086 A8939-632-125	SUPPORT ASSY							1	A
		INSULATOR							1	A
		(ATTACHING PARTS)								
-36	AN526-832-6 AN365-832	SCREW							4	A
		NUT							4	A
		-----*-----								
-37	AN8008D2	INSULATOR							2	A
		(ATTACHING PARTS)								
-38	AN526-832-6 AN365-832	SCREW							4	A
		NUT							4	A
		-----*-----								
-39	AN8008D2	INSULATOR							2	A
		(ATTACHING PARTS)								
-40	AN526-832-6 AN365-832	SCREW							4	A
		NUT							4	A
		-----*-----								
-41	AN8008D2	INSULATOR							2	A
		(ATTACHING PARTS)								
-42	AN526-832-6 AN365-832	SCREW							4	A
		NUT							4	A
		-----*-----								
		A USAF 43-22467 thru 43-22751 44-35198 thru 44-36747								

Section II
Group Assembly Parts List

T.O. 1B-26B-4
FUSELAGE

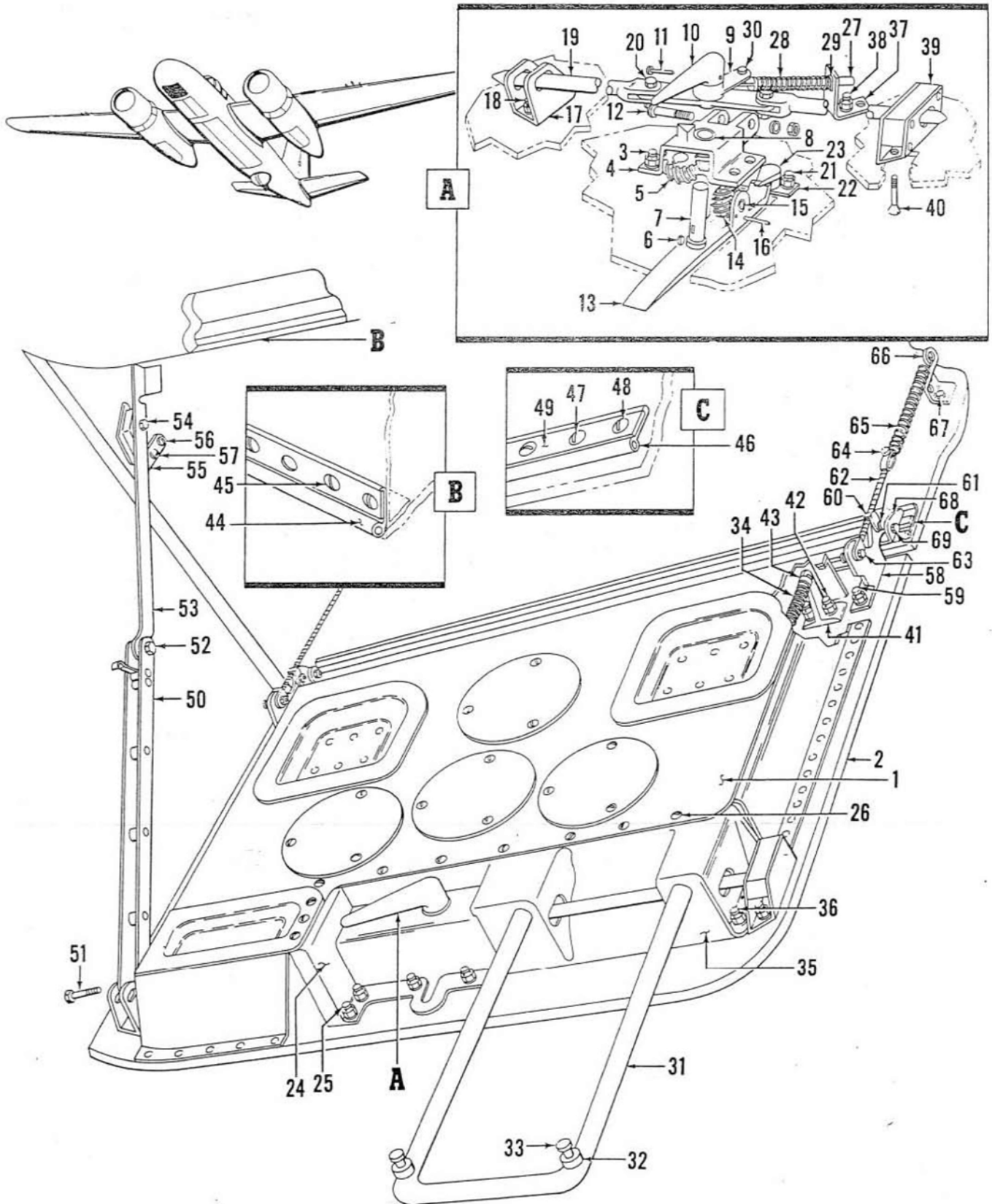


Figure 52. Bombardier Nose Access Door Installation

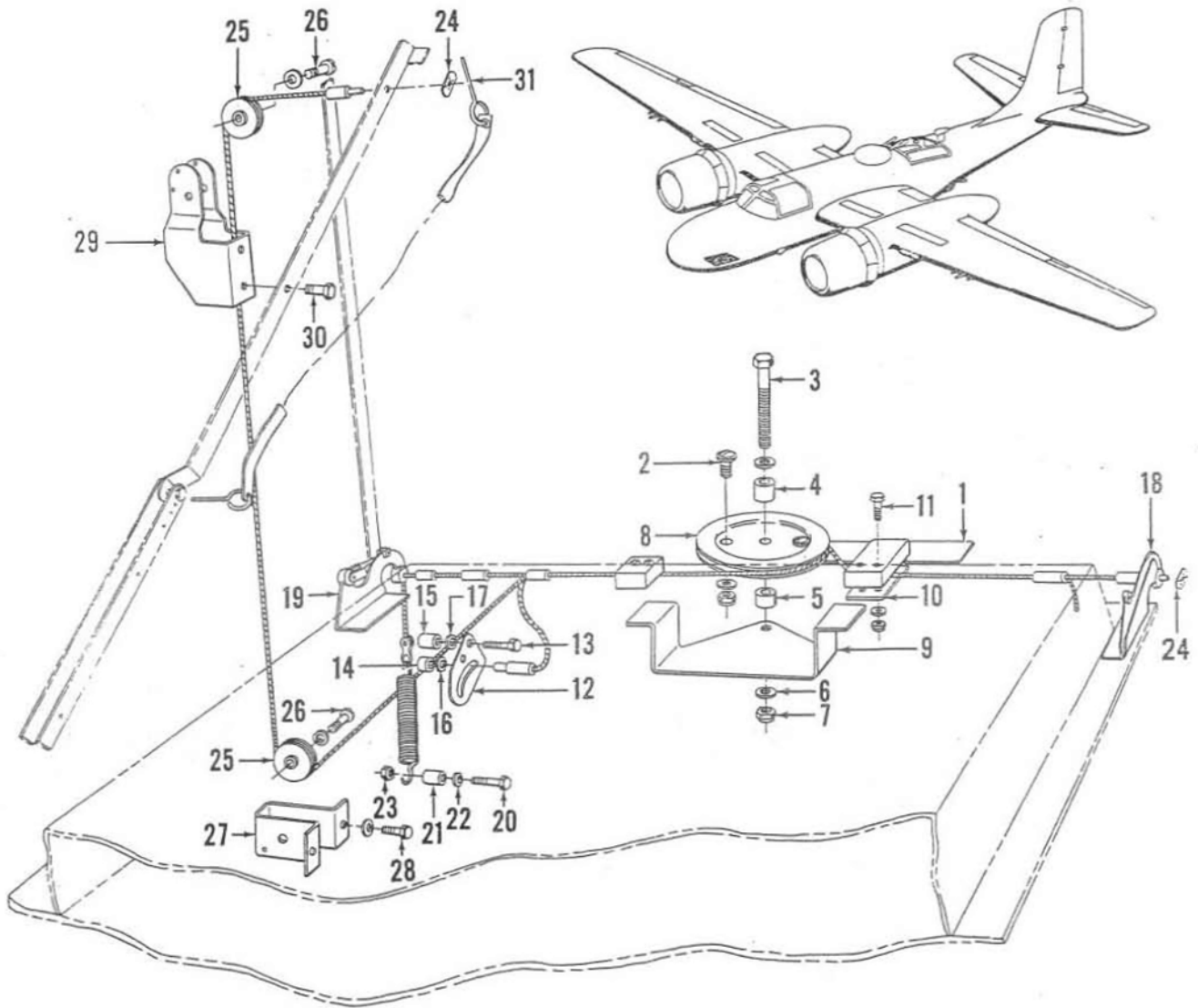
FIGURE & INDEX NO.	PART NO.	1 2 3 4 5 6 7	DESCRIPTION	UNITS PER ASSY	USABLE ON CODE
52-	5202403		ACCESS DOOR INSTL, Bombardier nose (see figure 49)	Ref	A
	5204818		DOOR ASSY, Bombardier nose access	1	A
-1	5206271		COVER ASSY, Bombardier nose access	1	A
-2	3205298		PLATE, Bombardier nose access door	1	A
	4205221		LATCH ASSY, Bombardier nose access	1	A
			(ATTACHING PARTS)		
-3	AN507-428R16		SCREW (Formerly 1087510-416-16)	4	A
	AN960-416		WASHER	4	A
	AN365-428		NUT	4	A
-4	4205096		HOUSING, Bombardier nose access door latch gear	1	A
-5	H1620L		GEAR (BGW)	1	A
-6	AN280-404		KEY	1	A
-7	1205190		PIN, Bombardier nose access door latch	1	A
-8	1205191		BUSHING, Bombardier nose access door latch	1	A
-9	4205144		LEVER ASSY, Bombardier nose access door latch handle	2	A
	NAS75-4-008		BUSHING	1	A
	NAS75-3-007		BUSHING	1	A
-10	2207058		HANDLE, Bombardier nose access door latch	1	A
			(ATTACHING PARTS)		
-11	AN393-29		PIN	2	A
	2205220		LEVER ASSY, Bombardier nose access door	1	A
			(ATTACHING PARTS)		
-12	AN26-29		BOLT	1	A
	AN960D616		WASHER	1	A
	AN320-6		NUT	1	A
-13	4205123		LATCH, Bombardier nose access door	1	A
-14	H1620L		GEAR	1	A
-15	NAS75-6-028		BUSHING	1	A
-16	146142-187-028		PIN	1	A
-17	1205054		CHANNEL, Bombardier nose access door lower hold open	1	A
			(ATTACHING PARTS)		
-18	1067510-416-4		SCREW	2	A
	AN960-416		WASHER	2	A
	AN365-428		NUT	2	A
-19	2205122		PIN ASSY, Bombardier nose access door latch	1	A
			(ATTACHING PARTS)		
-20	AN4-7		BOLT	2	A
	AN960-416		WASHER	2	A
	AN320-4		NUT	2	A
	2205188		LOCK ASSY, Bombardier nose access door	12	A
			(ATTACHING PARTS)		
-21	AN507-1032R14		SCREW (Formerly 1087510-10-14)	2	A
	AN960-10		WASHER	2	A
	AN365-1032		NUT	2	A
-22	2205189		SUPPORT, Bombardier nose access door latch	1	A
-23	105		CYLINDER ASSY (RHW)	1	A
-24	3207110		COVER ASSY, Bombardier nose access door	1	A
			(ATTACHING PARTS)		
-25	AN507-1032R20		SCREW (Formerly 1087510-10-20)	4	A
	AN960-10		WASHER	4	A
	AN365-1032		NUT	4	A
-26	AN520-10-12		SCREW	7	A
	AN960-10		WASHER	7	A
	AN365-1032		NUT	7	A
-27	1206172		ROD, Bombardier nose access	1	A
-28	1151328		SPRING, Bombardier nose access door	1	A
-29	1151330		BUMPER, Bombardier nose access door	1	A
-30	AN392-19		PIN	1	A
	AN507-1032R12		SCREW (Formerly 1087510-10-12)	2	A
	AN960-10		WASHER	1	A
-31	4204968		STEP	1	A
-32	1151060		BUMPER, Bombardier nose access door step	2	A
-33	AN393-33		PIN	2	A
-34	1205199		SPRING	1	A
-35	3206265		CASTING, Bombardier nose sliding step hanger	1	A
			(ATTACHING PARTS)		
-36	AN507-428R24		SCREW (Formerly 1087510-416-24)	4	A
	AN960-416		WASHER	4	A
	AN365-428		NUT	4	A
-37	2205202		CLIP, Bombardier nose access door	1	A
			(ATTACHING PARTS)		
-38	AN507-1032R12		SCREW (Formerly 1087510-10-12)	2	A
	AN960-10		WASHER	2	A
	AN365-1032		NUT	2	A
-39	1205142		CHANNEL ASSY, Bombardier nose access door shielding pin	1	A
			(ATTACHING PARTS)		
-40	AN507-1032R14		SCREW (Formerly 1087510-10-14)	1	A

Section II
Group Assembly Parts List

T.O. 1B-26B-4

FIGURE & INDEX NO.	PART NO.	1	2	3	4	5	6	7	DESCRIPTION	UNITS PER ASSY	USABLE ON CODE
52-41	1205420								SUPPORT, Bombardier nose step spring (ATTACHING PARTS)	2	A
-42	AN507-1032R14 AN960-10 AN365-1032								SCREW (Formerly 1087510-10-14)..... WASHER NUT	4 4 4	A A A
-43	5204818-2								STOP, Bombardier nose access door spring	2	A
-44	1152386-2816								SEAL..... (ATTACHING PARTS)	1	A
-45	AN530-8-6 5202403-2 A6191-823								SCREW..... RETAINER, Bombardier nose access door seal..... NUT (TIN)	16 1 4	A A A
-46	1152386-2612								SEAL..... (ATTACHING PARTS)	1	A
-47	AN520-8-6								SCREW	16	A
-48	AN520-10R8								SCREW	2	A
-49	5202403-4								RETAINER, Bombardier nose access door seal.....	1	A
-50	A6220-8Z16 2204958								STRIP (TIN)..... ARM ASSY, Bombardier nose access door lower	1 1	A A
-51	AN4-14 NAS75-4-024 AN960-416 AN310-4								(ATTACHING PARTS) BOLT..... BUSHING..... WASHER..... NUT	1 1 2 1	A A A A
-52	AN4-7 2033901-6S250-018 AN960-416L AN320-4								BOLT..... BUSHING..... WASHER..... NUT	1 1 1 1	A A A A
-53	2204957								ARM ASSY, Bombardier nose access door upper	1	A
-54	AN5-14A 1204991 AN960-516 AN365-524								(ATTACHING PARTS) BOLT..... SPACER..... WASHER..... NUT	1 1 1 1	A A A A
-55	1205455								GUIDE, Bombardier nose access door latch pin	2	A
-56	AN23-9A AN960D14 AN365-1032								(ATTACHING PARTS) BOLT..... WASHER..... NUT	2 2 2	A A A
-57	AN23-8A AN960D14 AN365-1032								BOLT..... WASHER..... NUT	2 2 2	A A A
-58	4204938 4204938-1								HINGE ASSY, Bombardier nose access door LH	1	A
-59	AN507-428R16 AN365-428								HINGE ASSY, Bombardier nose access door RH	1	A
-60	1205061								(ATTACHING PARTS) SCREW (Formerly 1087510-416-16)..... NUT	4 4	A A
-61	AN392-15								GUARD, Bombardier nose access door hinge cable	2	A
-62	1205062								PIN..... CABLE ASSY, Bombardier nose access door hinge	2 2	A A
-63	AN3-7 AN960D10 AN310-3								(ATTACHING PARTS) BOLT..... WASHER..... NUT	2 2 2	A A A
-64	AN393-11 AN960D10								PIN..... WASHER.....	2 2	A A
-65	1204948								SPRING, Bombardier nose access door hinge	2	A
-66	2204949 2204949-1								CLIP, Bombardier nose access door hinge spring LH	1	A
-67	AN3-5A AN960-10 AN365-1032								CLIP, Bombardier nose access door hinge spring RH	1	A
-68	2205065								(ATTACHING PARTS) BOLT..... WASHER..... NUT	2 2 2	A A A
-69	AN4-14 AN960-416 AN310-4								CHANNEL..... (ATTACHING PARTS) BOLT..... WASHER..... NUT	2 2 2	A A A

A USAF 43-22467 thru 43-22751
44-35198 thru 44-36797



2.4.2-1-72

Figure 53. Bombardier Jettisonable Door Modification

FIGURE & INDEX NO.	PART NO.	1 2 3 4 5 6 7	DESCRIPTION	UNITS PER ASSY	USABLE ON CODE
53-	51SCK761		DOOR MODIFICATION, Bombardier jettisonable.....	1	A
-1	51SCB767		ARM, Release lever	1	A
-2	AN525-416-18		SCREW	2	A
	AN960-4		WASHER	2	A
	AN365-428		NUT	2	A
-3	AN6-24		BOLT	1	A
-4	48B24094DD6-28		SPACER	1	A
-5	48B24094DD6-32		SPACER	1	A
-6	AN960-616		WASHER	1	A
-7	AN310-6		NUT	1	A
-8	51SCD762		CABLE ASSY, Bombardier jettisonable door	1	A
-9	51SCB771		BRACKET, Pivot	1	A
-10	51SCA774		CLIP, Release lever	2	A
			(ATTACHING PARTS)		
-11	AN3-13A		BOLT	2	A
	AN960-10		WASHER	2	A
	AN365-1032		NUT	2	A
-12	52SCA940		PLATE, Bombardier jettisonable door pin guide.....	2	A

Section II

T.O. 1B-26B-4

Group Assembly Parts List

FIGURE & INDEX NO.	PART NO.	1	2	3	4	5	6	7	DESCRIPTION	UNITS PER ASSY	USABLE ON CODE
									(ATTACHING PARTS)		
53-13	AN3-15A								BOLT	2	A
-14	48B4094DD5-16								SPACER	1	A
-15	48B24094DD3-64								SPACER	2	A
-16	AN960D516								WASHER	1	A
-17	AN960D10								WASHER	2	A

-18	51SCB781L								HINGE MODIFICATION, Bombardier door LH	1	A
-19	51SCB781R								HINGE MODIFICATION, Bombardier door RH	1	A
-20	AN3-10A								BOLT	2	A
-21	48B24094DD3-24								SPACER	2	A
-22	AN960D10								WASHER	2	A
-23	AN365-1032								NUT	2	A
-24	A1663-022-1								CATCH (TIN)	3	A
-25	AN210-1B								PULLEY	2	A
-26	AN520-10-14								SCREW	2	A
									WASHER	2	A
-27	AN960-10								WASHER	2	A
									BRACKET, Pulley aft	1	A
									(ATTACHING PARTS)		
-28	A1.3-4A								BOLT	2	A
									WASHER	2	A

-29	51SCB769								BRACKET, Pulley forward	1	A
									(ATTACHING PARTS)		
-30	AN3-4A								BOLT	2	A
									WASHER	2	A
-31	AN960-10								WASHER	2	A
									PIN ASSY, Safety	1	A

									A USAF 44-34718, 44-34723, 44-35361, 44-35380,		
									44-35382, 44-35383, 44-35391, 44-35411,		
									44-35412, 44-35530, 44-35631, 44-35641,		
									44-35703, 44-35753, 44-35763, 44-35777,		
									44-35784, 44-35790, 44-35835, 44-35849,		
									44-35853, 44-35856, 44-35857, 44-35860,		
									44-35867, 44-35868, 44-35872, 44-35876,		
									44-35877, 44-35880, 44-35919, 44-35926,		
									44-35928, 44-35930, 44-35932, 44-35934		

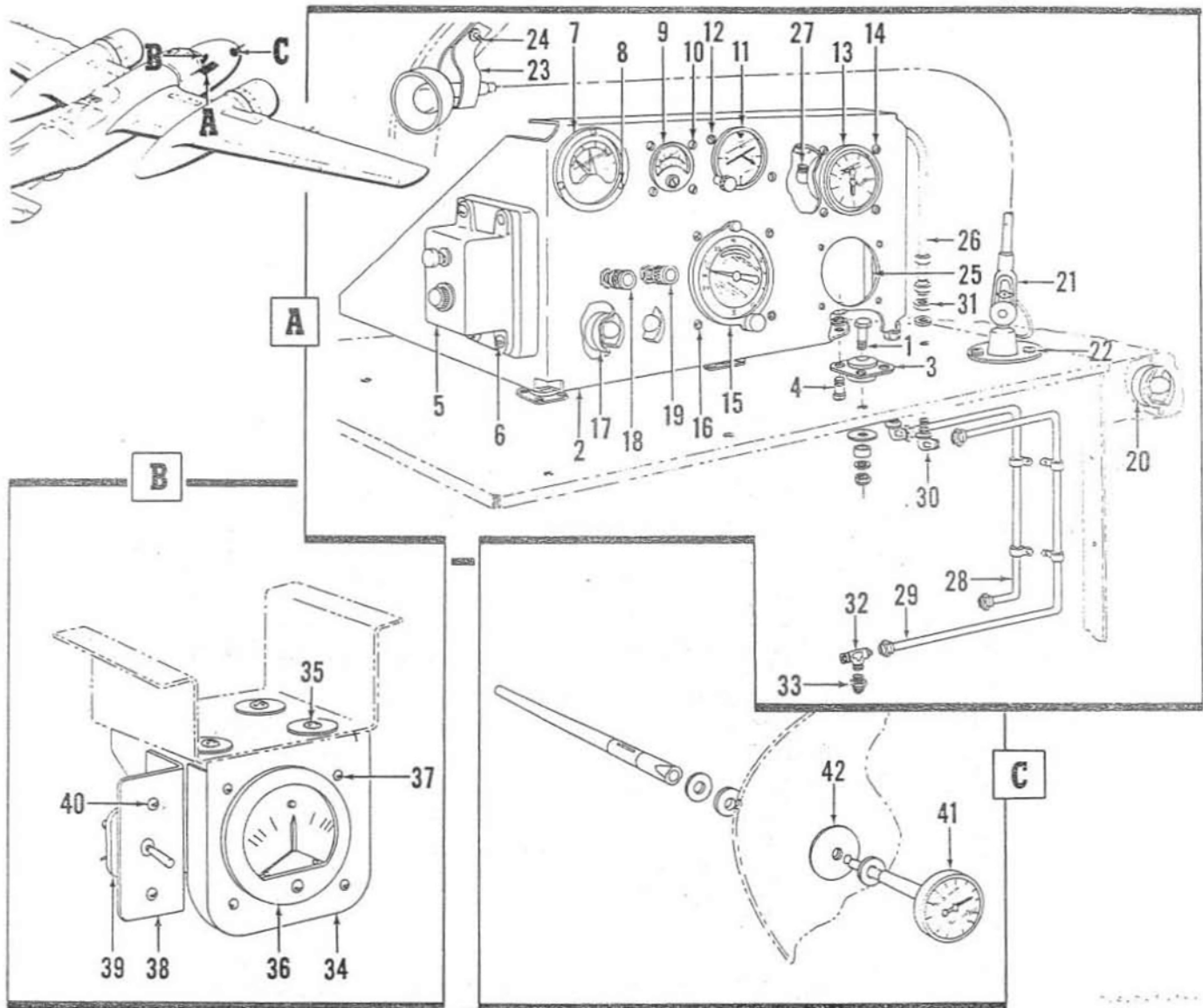


Figure 54. Bombardier Electrical and Instrument System

FIGURE & INDEX NO.	PART NO.	1 2 3 4 5 6 7	DESCRIPTION	UNITS PER ASSY	USABLE ON CODE
54-			BOMBARDIER ELECTRICAL AND INSTRUMENT SYSTEM		
	52SCE424		PANEL INSTL, Bombardier instrument	1	A
	52SCD423		PANEL ASSY, Bombardier instrument (ATTACHING PARTS)	1	A
-1	AN4-14A		BOLT	6	A
	AN8013D2		WASHER	6	A
	48B24094DD4-16		SPACER	6	A
	AN960-416		WASHER	6	A
	AN365-428		NUT	6	A
-2	52SCD422		BRACKET ASSY, Bombardier instrument	1	A
-3	AN8008D7		INSULATOR (ATTACHING PARTS)	6	A
-4	AN515-6-5		SCREW	4	A
	AN960-6		WASHER	4	A
	AN365-632		NUT	4	A
-5	AN5756-2		SWITCH BOX (ATTACHING PARTS)	1	A
-6	AN520-10-16		SCREW	2	A

Section II
Group Assembly Parts List

T.O. 1B-26B-4

FIGURE & INDEX NO.	PART NO.	1	2	3	4	5	6	7	DESCRIPTION	UNITS PER ASSY	USABLE ON CODE
54-	AN960-10								WASHER	2	A
-7									VOLTMETER, Type B-1 (US Army Spec 94-32172) (GFP) (ATTACHING PARTS)	1	A
-8	AN515B6-10 AN960-6 AN365-632								SCREW WASHER NUT	3 3 3	A A A
-9	AN3202-1								VOLTMETER (ATTACHING PARTS)	1	A
-10	AN515B6-12 A6939-632-3								SCREW NUT (TIN)	4 4	A A
-11	AN5743-1A								CLOCK (ATTACHING PARTS)	1	A
-12	AN515B6-10								SCREW	2	A
-13	44-2733								INDICATOR, Type F-100F2 airspeed (GFP) (ATTACHING PARTS)	1	A
-14	AN515B6-16 A6939-632-2								SCREW NUT (TIN)	4 4	A A
-15	AN5752-2								INDICATOR (ATTACHING PARTS)	1	A
-16	AN520B10-10								SCREW	4	A
-17	M100R								RHEOSTAT ASSY (ME)	2	A
-18	AN3157-2								LIGHT ASSY	1	A
-19	AN3157-6								LIGHT ASSY	1	A
-20	AN3155-50-100								RHEOSTAT	1	A
-21	AN3047-7								LIGHT (ATTACHING PARTS)	1	A
-22	AN526-1032R12 AN960-10 AN365-1032								SCREW WASHER NUT	3 3 3	A A A
-23	52SCA903								STRAP ASSY, Light (ATTACHING PARTS)	1	A
-24	AN227-23B AN960-8 AN365-832								FASTENER WASHER NUT	1 1 1	A A A
-25	52SCE592								PIPE INSTL, Bombardier nose pressure and static	1	A
-26	AN6270-4-14								HOSE ASSY	1	A
-27	AN6270-4-10								HOSE ASSY	1	A
-28	AN822-4D								ELBOW	1	A
-29	52SCC904-1								PIPE ASSY, Altimeter pressure	1	A
-30	52SCC904-2 AN833-4D								PIPE ASSY, Airspeed indicator ELBOW (ATTACHING PARTS)	1 2	A A
-31	AN924-4D AN960D716								NUT WASHER	2 4	A A
-32	AN826-4D								TEE	1	A
-33	AN816-4D								NIPPLE	1	A
-34	52SCC538 52SCC530 SATSC46D2651-1								INDICATOR INSTL, Pilot's direction indicator JAN type ID-103/APN-3 PANEL ASSY, Pilot's direction indicator and sensitivity switch PANEL, Mounting (ATTACHING PARTS)	1 1 1	A A A
-35	AN515-8R18 AN8013D1 AN365-832 48B24094DD2-12								SCREW WASHER NUT SPACER	4 8 4 4	A A A A
-36									INDICATOR, Type ID-103/APN-3 (GFP) (ATTACHING PARTS)	1	A
-37	A6939-632-3 A6939-375A								SCREW NUT (TIN)	4 4	A A
-38	51SCB1578								BRACKET ASSY, Switch	1	A
-39	51SCB1577 AN3022-2								BRACKET, Switch SWITCH (ATTACHING PARTS)	1 1	A A
-40	AN515-6-6								SCREW	2	A
-41	5202405 No Number								INSTRUMENTS INSTL, Bombardier nose THERMOMETER, Type C-13B free air (Spec MIL-T-6508)	Ref 1	A A
-42	2278548								DOUBLER, Bombardier nose free air thermometer	1	A
									A USAF 44-34639, 44-34718, 44-34723, 44-35361, 44-35380, 44-35382, 44-35383, 44-35391, 44-35400, 44-35402, 44-35407, 44-35411, 44-35412, 44-35432, 44-35530, 44-35540, 44-35631, 44-35635, 44-35639, 44-35641, 44-35652, 44-35680, 44-35703, 44-35753, 44-35760, 44-35763, 44-35777, 44-35784, 44-35790, 44-35835, 44-35849, 44-35853, 44-35856, 44-35857, 44-35860, 44-35861, 44-35867, 44-35868, 44-35872, 44-35876, 44-35877, 44-35880, 44-35881, 44-35882, 44-35887, 44-35892, 44-35893, 44-35901, 44-35902, 44-35908, 44-35919, 44-35926, 44-35928, 44-35930, 44-35932, 44-35934		

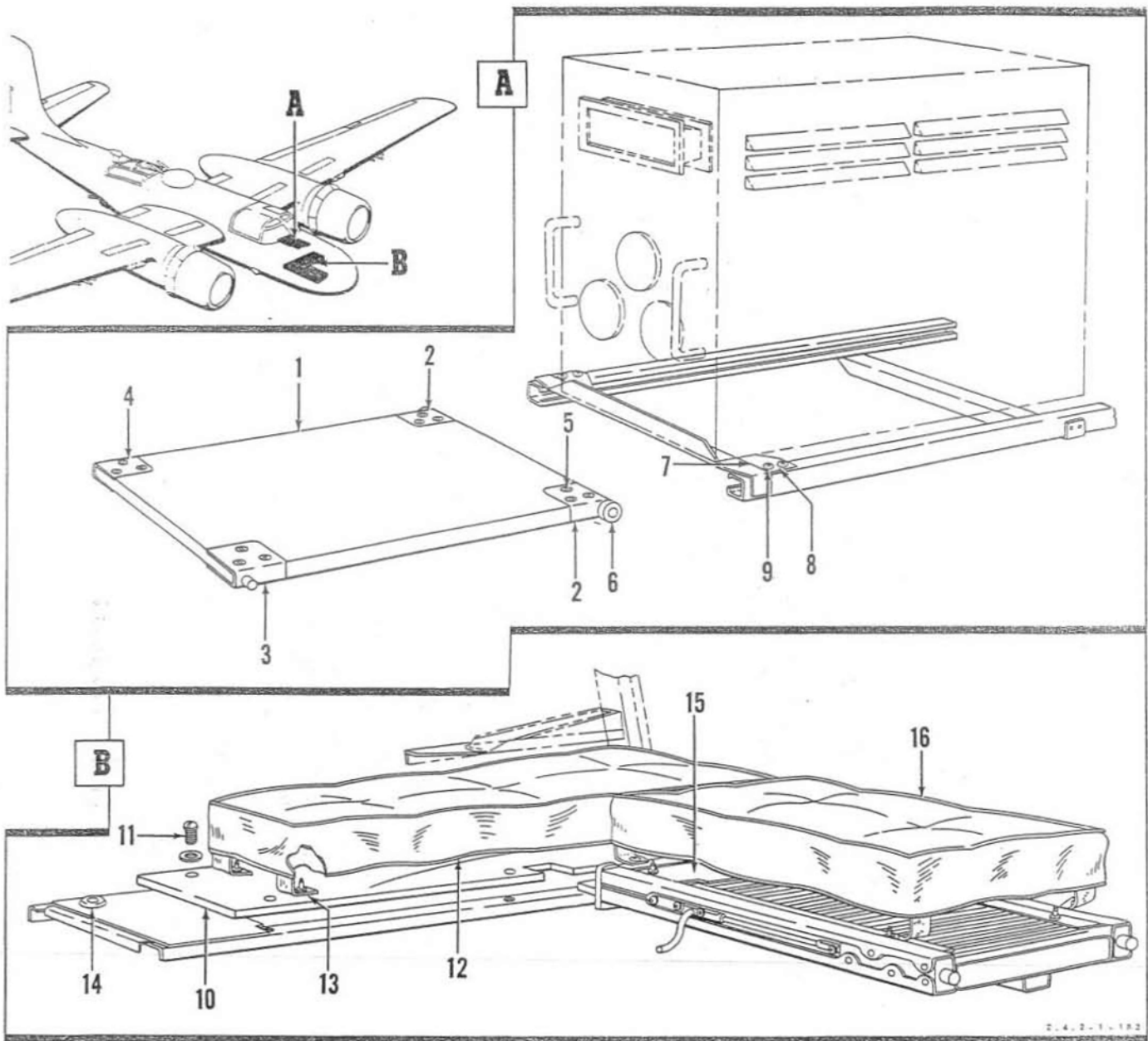


Figure 55. Bombardier Table and Seat Installation

FIGURE & INDEX NO.	PART NO.	1 2 3 4 5 6 7	DESCRIPTION	UNITS PER ASSY	USABLE ON CODE
55-			BOMBARDIER TABLE AND SEAT INSTL		
	52SCF549		TABLE INSTL, Bombardier	1	A
	52SCC558		TABLE ASSY, Bombardier	1	A
	52SCC547-2		BOARD ASSY, Navigation table	1	A
-1	52SCC548-2		BOARD, Navigation table.....	1	A
-2	52SCB2082		MOUNT, Bearing navigation table forward.....	2	A
-3	52SCB2083L		MOUNT, Navigation table aft LH	1	A
-4	52SCB2083R		MOUNT, Navigation table aft RH	1	A
			(ATTACHING PARTS)		
-5	AN550-5-4		SCREW.....	3	A

-6	K4A		BEARING (FAF).....	2	A
-7	52SCA556		CLIP, Table	2	A
			(ATTACHING PARTS)		

Section II

T.O. 1B-26B-4

Group Assembly Parts List

FIGURE & INDEX NO.	PART NO.	1	2	3	4	5	6	7	DESCRIPTION	UNITS PER ASSY	USABLE ON CODE
55-8	AN515-8R22								SCREW.....	2	A
	48B2409DD2-48								SPACER.....	2	A
	AN960-8								WASHER.....	2	A
	AN365-832								NUT.....	2	A
-9	AN515-8R6								SCREW.....	2	A
	AN364-832								NUT.....	2	A
	52SCJ454								SEAT, INSTL, Bombardier.....	1	A
-10	52SCD455								PANEL, Bombardier seat.....	1	A
									(ATTACHING PARTS)		
-11	AN526-1032-18								SCREW.....	5	A
	AN970-3								WASHER.....	5	A
	52SCD457								CUSHION ASSY, Bombardier alternate seat.....	1	A
-12	AN227-29B								FASTENER.....	4	A
-13	AN931-16-22								GROMMET.....	1	A
-14	52SCC553								COVER MODIFICATION, Bombardier seat.....	1	A
-15	48SCC86								EXTENSION, Bombardier seat cover.....	1	A
-16	5206137								PAD ASSY, Bombardier nose seat (relocated).....	1	A
		A USAF							44-34718, 44-34723, 44-35361, 44-35380, 44-35382, 44-35383, 44-35391, 44-35411, 44-35412, 44-35530, 44-35631, 44-35641, 44-35703, 44-35753, 44-35763, 44-35777, 44-35784, 44-35790, 44-35835, 44-35849, 44-35853, 44-35856, 44-35857, 44-35860, 44-35867, 44-35868, 44-35872, 44-35876, 44-35877, 44-35880, 44-35919, 44-35926, 44-35928, 44-35930, 44-35932, 44-35934.		

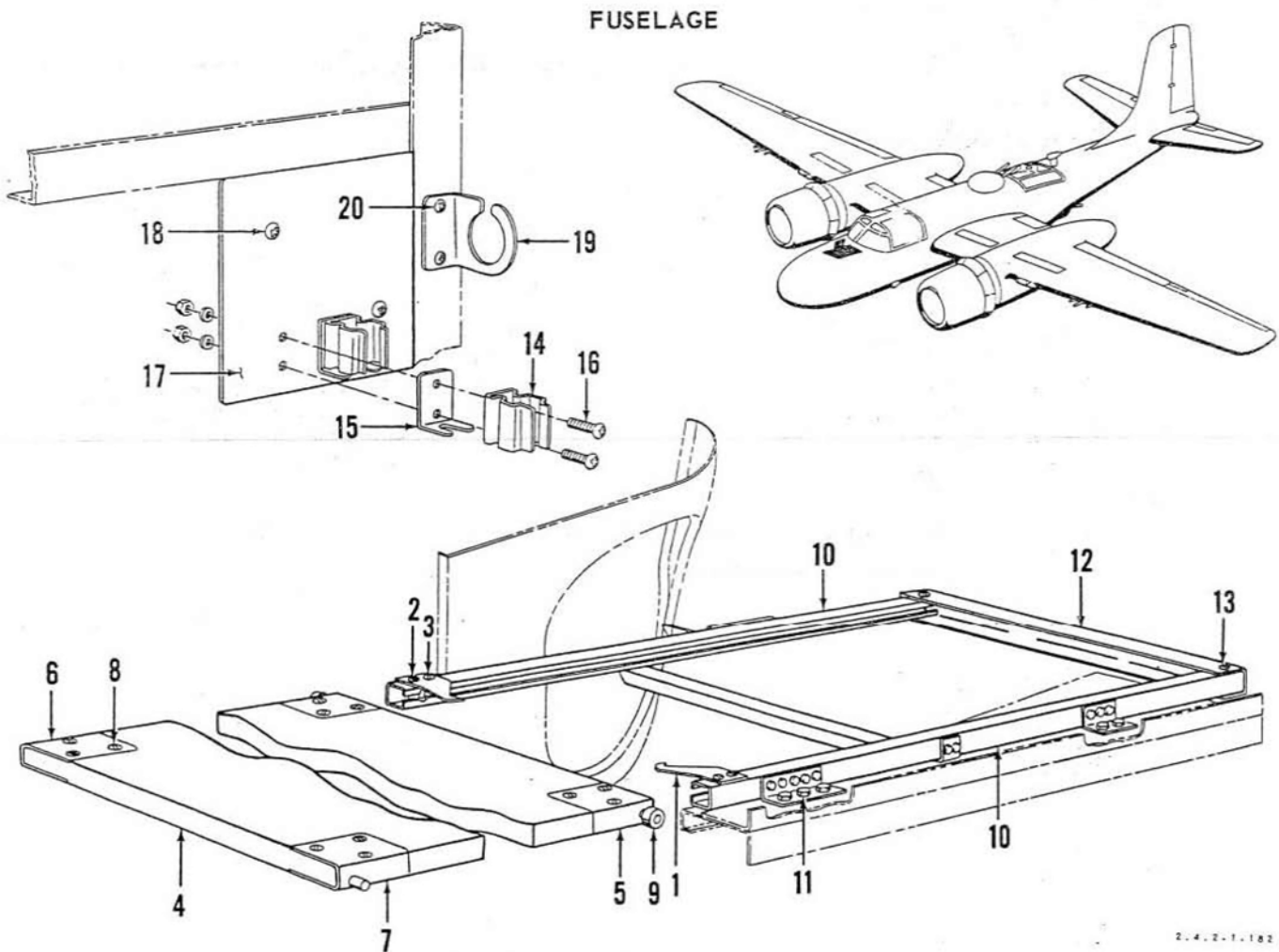
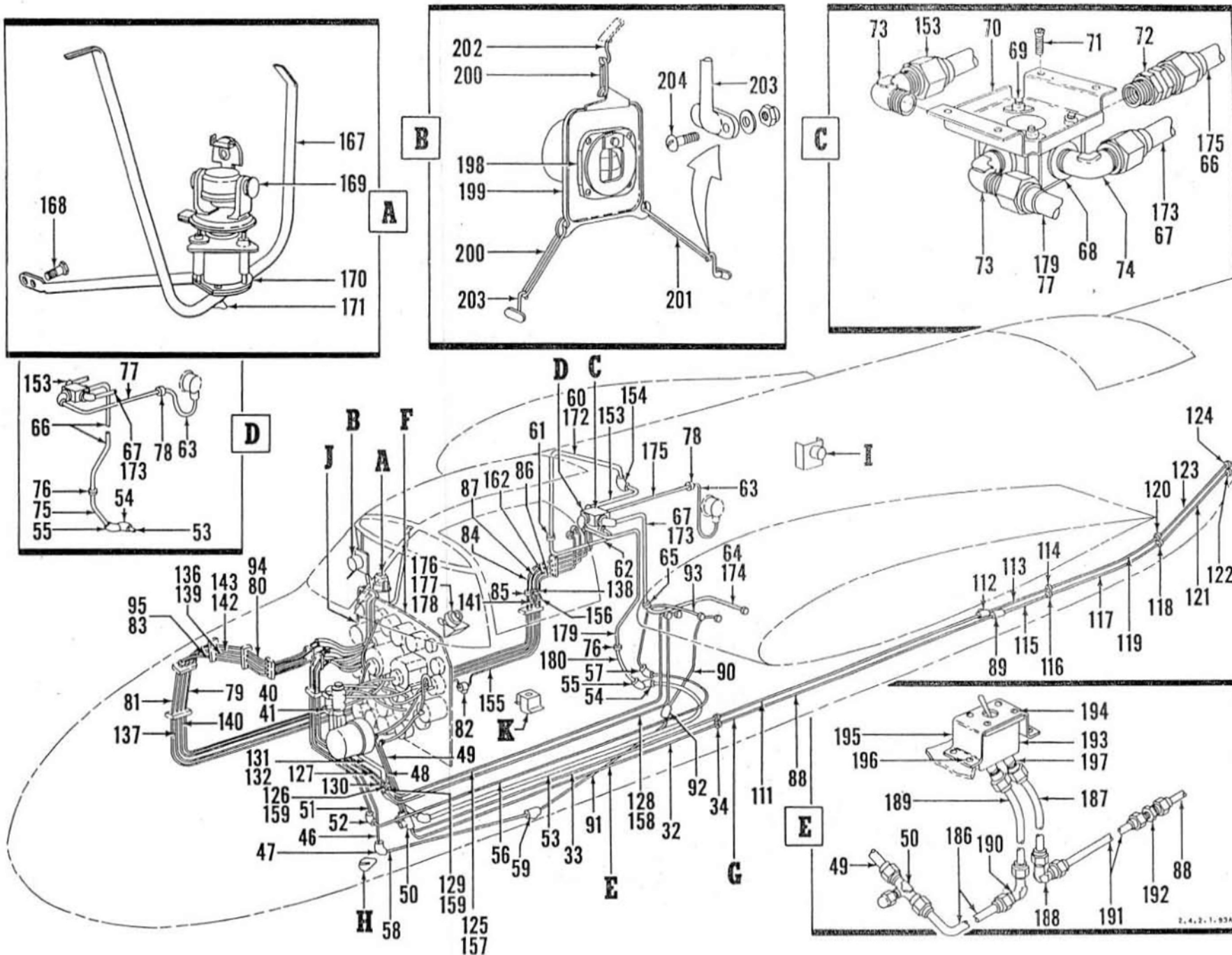


Figure 56. Navigator Table, Headset Hanger and Interphone Stop

FIGURE & INDEX NO.	PART NO.	DESCRIPTION							UNITS PER ASSY	USABLE ON CODE
		1	2	3	4	5	6	7		
56-		NAVIGATOR TABLE, HEADSET HANGER AND INTERPHONE STOP								
	52SCD541	TABLE INSTL, Navigator							1	A
	52SCC543	TABLE ASSY, Navigator							1	A
-1	52SCA556	CLIP, Table							2	A
		(ATTACHING PARTS)								
-2	AN515-8R6	SCREW							1	A
	AN364-832	NUT							1	A
-3	AN515-8R22	SCREW							1	A
	48B24094DD2-48	SPACER							1	A
	AN960-8	WASHER							1	A
	AN365-832	NUT							1	A
		-----*								
-4	52SCC547-1	BOARD ASSY, Navigation table							1	A
	52SCC548-1	BOARD, Navigation table							1	A
-5	52SCB2082	MOUNT, Bearing navigation table forward							2	A
-6	52SCB2083L	MOUNT, Navigation table aft LH							1	A
-7	52SCB2083R	MOUNT, Navigation table aft RH							1	A
		(ATTACHING PARTS)								
-8	AN550-5-4	SCREW							3	A
		-----*								
-9	K4A	BEARING (FAF)							2	A
-10	52SCB544-1	CHANNEL, Side table support							2	A
		(ATTACHING PARTS)								
-11	AN3-12A	BOLT							5	A
	AN960-10	WASHER							5	A
	AN365-1032	NUT							5	A
		-----*								
-12	52SCB545-2	CHANNEL, End table support							1	A
		(ATTACHING PARTS)								
-13	AN515-8R32	SCREW							2	A
	48B24094DD2-48	SPACER							2	A
	AN960-8	WASHER							2	A
	AN365-832	NUT							2	A
		-----*								
	52SCD927	HEADSET HANGER AND INTERPHONE STOP INSTL, Navigator							1	A
	52SCB928	PLATE ASSY, Interphone stop							1	A
-14	1-22089	RETAINER, Interphone							2	A
-15	1-22090	STOP, Interphone							2	A
		(ATTACHING PARTS)								
-16	AN515-8R7	SCREW							2	A
	AN960-8	WASHER							2	A
	AN365-832	NUT							2	A
		-----*								
-17	52SCB928-1	PLATE, Interphone stop							1	A
		(ATTACHING PARTS)								
-18	AN520-10R6	SCREW							2	A
	AN960-10	WASHER							2	A
	AN365-1032	NUT							2	A
		-----*								
-19	41-1150	HANGER, Headset							1	A
		(ATTACHING PARTS)								
-20	AN515-8R7	SCREW							2	A
	AN960-8	WASHER							2	A
	AN365-832	NUT							2	A
		-----*								
		A USAF 44-34718, 44-34723, 44-35361, 44-35380, 44-35382, 44-35383, 44-35391, 44-35411, 44-35412, 44-35530, 44-35631, 44-35641, 44-35703, 44-35753, 44-35763, 44-35777, 44-35784, 44-35790, 44-35835, 44-35849, 44-35853, 44-35856, 44-35857, 44-35860, 44-35867, 44-35868, 44-35872, 44-35876, 44-35877, 44-35880, 44-35919, 44-35926, 44-35928, 44-35930, 44-35932, 44-35934								



Section II
Group Assembly Parts List

T.O. 1B-26B-4
FUSELAGE

Figure 57. Instrument System Installation (Sheet 1 of 2)

2, 4, 2-1-93A

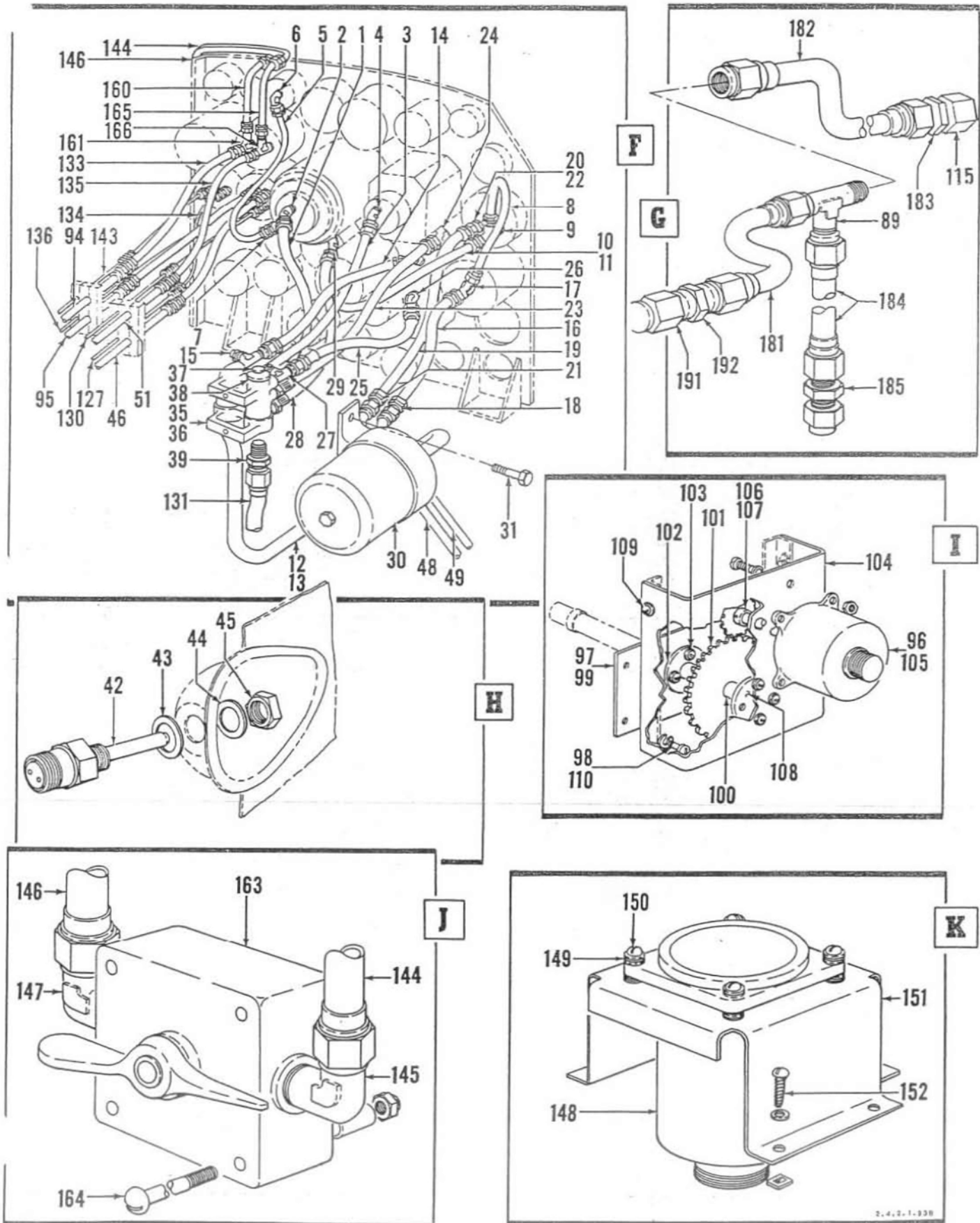


Figure 57. Instrument System Installation (Sheet 2 of 2)

Section II
Group Assembly Parts List

T.O. 1B-26B-4

FIGURE & INDEX NO.	PART NO.	1	2	3	4	5	6	7	DESCRIPTION	UNITS PER ASSY	USABLE ON CODE
57-									INSTRUMENT SYSTEM INSTL		
	5205099								INSTRUMENT INSTL, Fuselage section (see figure 40).....	Ref	A,B
	5208214								INSTRUMENT INSTL, Fuselage section (see figure 40).....	Ref	C-E
	5205045								PANEL INSTL, Pilot's instrument (see figure 58).....	1	
-1	No Number								HOSE ASSY, 3/8-in. ID (make from hose Spec MIL-H-5593).....	1	
-2	AN823-6D								ELBOW.....	1	
	AN913-2D								PLUG.....	1	
-3	No Number								HOSE ASSY, 3/8-in. ID (make from hose Spec MIL-H-5593).....	1	
-4	AN823-6D								ELBOW.....	1	
	AN913-2D								PLUG.....	1	
-5	No Number								HOSE ASSY, 1/4-in. ID (make from hose Spec MIL-H-5593).....	1	
-6	AN822-4D								ELBOW.....	1	
	AN912-1D								BUSHING.....	1	
-7	AN816-4D								NIPPLE.....	1	
-8	No Number								HOSE ASSY, 1/4-in. ID (make from hose Spec MIL-H-5593).....	1	
-9	AN826-4D								TEE.....	1	B-E
	AN816-4D								NIPPLE.....	1	A
	AN822-4D								ELBOW.....	1	A
-10	No Number								HOSE, 1/4-in. ID (make from hose Spec MIL-H-5593).....	1	
-11	AN823-4D								ELBOW.....	1	
-12	5195445-2								LINE ASSY.....	1	
-13	AN816-10D								NIPPLE.....	1	
	AN912-7D								BUSHING.....	1	
-14	No Number								HOSE ASSY, 1/4-in. ID (make from hose Spec MIL-H-5593).....	1	
-15	AN822-4D								ELBOW.....	1	B-E
	AN824-4D								TEE.....	1	A
	AN929-4								CAP.....	1	A
-16	No Number								HOSE ASSY, 1/4-in. ID (make from hose Spec MIL-H-5593).....	1	
-17	AN826-4D								TEE.....	1	
-18	AN815-4D								UNION.....	1	
-19	No Number								HOSE ASSY, 1/4-in. ID (make from hose Spec MIL-H-5593).....	1	
-20	AN816-4D								NIPPLE.....	1	B-E
	AN911-1D								NIPPLE.....	1	A
-21	AN815-4D								UNION.....	1	B-E
	AN910-1D								COUPLING.....	1	A
-22	AN826-4D								TEE.....	1	B-E
-23	No Number								HOSE ASSY, 3/8-in. ID (make from Spec MIL-H-5593).....	1	
-24	AN822-6D								ELBOW.....	1	
	AN913-2D								PLUG.....	1	B-E
-25	No Number								HOSE ASSY, 1/4-in. ID (make from hose Spec MIL-H-5593).....	1	
-26	AN823-4D								ELBOW.....	1	
-27	AN824-4D								TEE.....	1	B-E
	AN929-4								CAP.....	1	B-E
-28	No Number								HOSE ASSY, 3/8-in. ID (make from hose Spec MIL-H-5593).....	1	
-29	AN822-6D								ELBOW.....	1	B-E
	AN823-6D								ELBOW.....	1	A
-30	AN822-1								FILTER.....	1	
-31	AN4-6A								(ATTACHING PARTS) BOLT.....	2	
-32	5195445-50								LINE ASSY.....	1	A,B
-33	5195445-28								LINE ASSY.....	1	A,B
-34	AN815-4D								UNION.....	2	A,B
	4154193								MANIFOLD ASSY, Fuselage instrument vacuum.....	1	A,B
-35	AN520-10-12								(ATTACHING PARTS) SCREW.....	2	
	AN365-1032								NUT.....	2	
-36	4154193-2								MANIFOLD, Fuselage instrument vacuum.....	1	
-37	38A6136								NEEDLE, Instrument vacuum control valve adjusting.....	1	
-38	38A6135								NUT, Instrument vacuum control valve lock.....	1	
-39	AN816-10D								NIPPLE.....	2	
-40	4152448								MANIFOLD, Fuselage instrument vacuum distributing.....	1	
-41	AN525-10-10								(ATTACHING PARTS) SCREW.....	2	
	AN365-1032								NUT.....	2	
-42	5195537								TEMPERATURE BULB INSTL, Pilot outside air.....	1	
	AN5525-1								BULB (GFP).....	1	
-43	143908-020D100-032								WASHER.....	1	
-44	143908-018SR104-093								WASHER.....	1	
-45	AN365-1018								NUT.....	1	
-46	5195445-90								LINE ASSY.....	1	
-47	AN833-4D								ELBOW.....	1	
	AN924-4D								NUT.....	1	
-48	5195445-26								LINE ASSY.....	1	
-49	5195445-48								LINE ASSY.....	1	
-50	AN824-4D								TEE.....	2	
	AN929-4								CAP.....	2	
-51	5195445-82								LINE ASSY.....	1	
-52	AN821-4D								ELBOW.....	1	
-53	5195445-6								LINE ASSY.....	1	
-54	AN916-10D								ELBOW.....	1	
	AN6290-10								GASKET.....	1	

FIGURE & INDEX NO.	PART NO.								DESCRIPTION	UNITS PER ASSY	USABLE ON CODE
		1	2	3	4	5	6	7			
57-55	AN833-10D								ELBOW	1	
	AN924-10D								NUT	1	
-56	5195445-80								LINE ASSY	1	
-57	AN833-4D								ELBOW	1	
	AN924-4D								NUT	1	
-58	5195445-88								LINE ASSY	1	
-59	AN824-4D								TEE	1	
	AN929-4								CAP	1	
-60	5195445-12								LINE ASSY	1	
-61	AN815-12D								UNION	1	
-62	5195445-14								LINE ASSY	1	
-63	5195445-22								LINE ASSY	1	
-64	5195445-18								LINE ASSY	1	
-65	AN815-12D								UNION	1	
-66	5195445-10								LINE ASSY	1	
-67	5195445-16								LINE ASSY	1	
	5143885								VALVE INSTL, Vacuum selector	1	A-C
	5207961								VALVE INSTL, Vacuum selector	1	D,E
-68	710-6-12D								VALVE, Vacuum selector (PA) (ATTACHING PARTS)	1	
-69	AN520-10-36								SCREW	4	
	AN960-10L								WASHER	4	
	NAS43DD3-244								SPACER	4	
	AN365-1032								NUT	4	A-C
-70	4143883								BRACKET, Vacuum selector valve support	1	A-C
	2209796								BRACKET ASSY, Vacuum selector valve support (ATTACHING PARTS)	1	D,E
-71	AN507-1032R12								SCREW (formerly 1087510-10-12)	4	D,E
	AN365-1032								NUT	4	D,E
-72	AN816-10D								NIPPLE	1	A-C
	AN822-10D								ELBOW	1	D,E
	AN912-7D								BUSHING	1	D,E
-73	AN822-12D								ELBOW	2	
-74	AN822-8D								ELBOW	1	
	AN912-8D								BUSHING (One used on 5143885)	2	A-C
-75	5195445-8								LINE ASSY	1	
-76	AN815-10D								UNION	1	
-77	5195445-20								LINE ASSY	1	
-78	AN815-8D								UNION	1	
-79	5195445-66								LINE ASSY	1	
-80	AN832-4D								UNION	1	E
	AN837-4D								ELBOW	1	A,D
	AN924-4D								NUT	1	
	AN6290-4								GASKET	1	
-81	5195445-72								LINE ASSY	1	
-82	AN824-4D								TEE	1	
	AN929-4								CAP	1	
-83	AN832-4D								UNION	1	
	AN924-4D								NUT	1	
-84	5195445-124								LINE ASSY	1	
-85	AN815-4D								UNION	1	
-86	5195445-130								LINE ASSY	1	
-87	5195445-128								LINE ASSY	1	
-88	5195445-52								LINE ASSY	1	
-89	AN834-4D								TEE	1	
	AN924-4D								NUT	1	
	AN929-4								CAP	1	
-90	5195445-84								LINE ASSY	1	
-91	5195445-86								LINE ASSY	1	
-92	AN837-4D								ELBOW	1	
	AN924-4D								NUT	1	
-93	5195445-76								LINE ASSY	1	
-94	5195445-68								LINE ASSY	1	
-95	5195445-74								LINE ASSY	1	
-96	AN5785-1								TRANSMITTER	1	A
-97	2195132								PLATE, Fuselage section wing flap position transmitter mounting (ATTACHING PARTS)	1	A
-98	AN515-8-10								SCREW	4	A
	AN960D10								WASHER	4	A
	AN935-6								WASHER	4	A
	AN365-832								NUT	4	A
-99	5206588								TRANSMITTER INSTL, Wing flap position	1	B-E
	2206589								SUPPORT, Wing flap position transmitter drive shaft bushing	1	B-E
-100	1206591								SHAFT, Wing flap position transmitter drive	1	B-E
-101	2209011								GEAR, Wing flap position transmitter 21 in. spur	1	B-E
-102	2206592								BUSHING, Wing flap position transmitter	1	B-E
-103	AN515-4-6								SCREW	4	B-E
	AN365B440								WASHER	4	B-E
	4206593								COVER ASSY, Wing flap position transmitter	1	
-104	4206594								COVER, Wing flap position transmitter	1	B-E

Section II
Group Assembly Parts List

T.O. 1B-26B-4

FIGURE & INDEX NO.	PART NO.	1	2	3	4	5	6	7	DESCRIPTION	UNITS PER ASSY	USABLE ON CODE
57-105	8TJ9PAV								TRANSMITTER (GE) (T.O. 05-55A-2)	1	B-E
-106	2209010								GEAR, Wing flap position transmitter 1 in. spur	1	B-E
-107	AN565D6-3								SET SCREW	2	
-108	2206595								BEARING, Wing flap position transmitter	1	B-E
-109	AN530-8-6								SCREW	4	B-E
	AN960D6L								WASHER	4	B-E
-110	AN503-10-8								SCREW	4	B-E
	AN935-10L								WASHER	4	B-E
-111	5195445-116								LINE ASSY	1	A,B
-112	AN834-4D								TEE	1	A,B
	AN924-4D								NUT	1	A,B
	AN929-4								CAP	1	A,B
-113	5195445-34								LINE ASSY	1	A,B
-114	AN832-4D								UNION	1	A,B
	AN924-4D								NUT	1	A,B
-115	5195445-54								LINE ASSY	1	
-116	AN832-4D								UNION	1	
	AN924-4D								NUT	1	
-117	5195445-56								LINE ASSY	1	
-118	AN815-4D								UNION	1	
-119	5195445-36								LINE ASSY	1	A,B
-120	AN815-4D								UNION	1	A,B
-121	5195445-58								LINE ASSY	1	
-122	AN815-4D								UNION	1	
-123	5195445-38								LINE ASSY	1	A,B
-124	AN815-4D								UNION	1	A,B
-125	5195445-104								LINE ASSY	1	A-C
	5195445-140								LINE ASSY	1	D,E
-126	AN815-2D								UNION	1	
-127	5195445-106								LINE ASSY	1	
-128	5195445-108								LINE ASSY	1	A-C
	5195445-142								LINE ASSY	1	D,E
-129	AN815-2D								UNION	1	
-130	5195445-110								LINE ASSY	1	
-131	5195445-4								LINE ASSY	1	
-132	AN837-10D								ELBOW	1	
	AN924-10D								NUT	1	
	AN6290-10								GASKET	1	
-133	No Number								HOSE ASSY, 1/4-in. ID (make from hose Spec MIL-H-5593)	4	
-134	No Number								HOSE ASSY, 1/8-in ID (make from hose Spec MIL-H-5593)	4	
-135	AN816-2D								NIPPLE	AR	
	AN816-4D								NIPPLE	AR	
-136	5195445-102								LINE ASSY	1	
-137	5195445-98								LINE ASSY	1	A-C
	5195445-138								LINE ASSY	1	D,E
-138	AN815-2D								UNION	1	
-139	AN832-2D								UNION	1	A,B
	AN924-2D								NUT	1	A,B
-140	5195445-96								LINE ASSY	1	A-C
	5195445-136								LINE ASSY	1	D,E
-141	AN815-2D								UNION	1	
-142	AN832-2D								UNION	1	
	AN924-2D								NUT	1	
-143	5195445-92								LINE ASSY	1	
-144	5195445-112								LINE ASSY	1	
-145	AN822-4D								ELBOW	1	
-146	5195445-114								LINE ASSY	1	
-147	AN822-4D								ELBOW	1	
	5195595								FUEL LEVEL INDICATOR INSTL, Ferrying tank	1	A-D
	5206687								FUEL LEVEL INDICATOR INSTL, Ferrying tank	1	E
-148	8DJ21AAF								INDICATOR: (GE) (T.O. 05-55A-2)	1	A-D
	8DJ20ACY								INDICATOR: (GE) (T.O. 05-55A-2)	1	E
									(ATTACHING PARTS)		
-149	AN931-3-5								GROMMET	8	
-150	AN515-6-20								SCREW	4	
	AN960D6								WASHER	8	
	AN340DD6								NUT	8	
-151	2196519								SUPPORT, Ferrying tank fuel level indicator	1	A-D
	2206688								SUPPORT, Ferrying tank fuel level indicator	1	E
									(ATTACHING PARTS)		
-152	AN530-8-8								SCREW	6	
	AN960D8								WASHER	6	
	A1778-8Z1								NUT (TIN)	6	
-153	5195445-134								LINE ASSY	1	
-154	AN821-12D								ELBOW	1	
-155	5195445-118								LINE ASSY	1	
-156	AN815-4D								UNION	1	
-157	5195445-120								LINE ASSY	1	A-C
-158	5195445-122								LINE ASSY	1	A-C
-159	AN815-2D								UNION	2	A-C
-160	No Number								HOSE ASSY, 1/4-in. ID (make from hose Spec MIL-H-5593)	1	
-161	AN826-4D								TEE	1	B-E
	AN821-4D								ELBOW	1	A
-162	5195445-126								LINE ASSY	1	A-C

FIGURE & INDEX NO.	PART NO.	1	2	3	4	5	6	7	DESCRIPTION	UNITS PER ASSY	USABLE ON CODE
57-163	2202388								VALVE ASSY, Manifold pressure drain..... (ATTACHING PARTS)	1	
-164	AN515-8-24 NAS43DD2-208 AN365-832								SCREW	4	
									SPACER (formerly 117425-2D104)	4	
									NUT	4	
-165	No Number								HOSE ASSY, 1/4-in ID (make from hose Spec MIL-H-5593)	1	
-166	AN826-4D AN821-4D 5277217								TEE	1	B, E
									ELBOW	1	A, F
-167	5277247								COMPASS INSTL, Astro	1	F
									SUPPORT, Astro compass	1	F
-168	AN3DD10								(ATTACHING PARTS)		
									BOLT	6	F
-169	AN5738-1								COMPASS	1	F
-170	AN5738-2								STANDARD	1	F
-171	AN520B10R20 AN960B10 AN350B1032								SCREW	3	F
									WASHER	3	F
									NUT	3	F
-172	5195445-152								LINE ASSY	1	D, E
-173	5195445-154								LINE ASSY	1	D, E
-174	5195445-156								LINE ASSY	1	D, E
-175	5195445-158 5207782								LINE ASSY	1	D, E
									DRIFTMETER INSTL, Type B-5	1	
-176									DRIFTMETER, Type B-5 (Spec MIL-D-7713)(GFP)	1	
-177	4207728								BRACKET ASSY, Driftmeter	1	
-178	980W5-13 98-5CP								STUD (SLK)	4	
									PEN (SLK)	4	
-179	5195445-160								LINE ASSY	1	D, E
-180	5195445-162								LINE ASSY	1	D, E
-181	5195445-164								LINE ASSY	1	F
-182	5195445-166								LINE ASSY	1	F
-183	AN832-4D								UNION	1	F
-184	5195445-168								LINE ASSY	1	F
-185	AN815-4D AN929-4								UNION	1	F
									CAP	1	F
-186	5195445-146								LINE ASSY	1	C, E
-187	5195445-150								LINE ASSY	1	C, E
-188	AN833-4D AN924-4D								ELBOW	1	C, E
									NUT	1	C, E
-189	5195445-148								LINE ASSY	1	C, E
-190	AN833-4D AN924-4D								ELBOW	1	C, E
									NUT	1	C, E
-191	5195445-144								LINE ASSY	1	C, E
-192	AN815-4D 5207834								UNION	1	C, E
-193	AN5831-1								VALVE INSTL, Static pressure selector	1	C, E
									VALVE	1	C, E
-194	AN515-6-10 AN960D6L								(ATTACHING PARTS)		
									SCREW	4	C, E
									WASHER	4	C, E
-195	4207835								BRACKET, Static pressure selector valve	1	C, E
									(ATTACHING PARTS)		
-196	AN530-6R10 AN960-6 A1181-6Z1								SCREW	4	C, E
									WASHER	4	C, E
									NUT (TIN)	4	C, E
-197	AN824-4D 5209583								TEE	2	C, E
-198	AN5733-1								MAGNETIC COMPASS INSTL	1	G
-199	5112852-4								COMPASS	1	G
-200	2275796-502								HOUSING, Magnetic compass	2	G
-201	2275796-500								BUNGEE, Magnetic compass	1	G
-202	1117030								BUNGEE, Magnetic compass	1	G
-203	2139006								HOOK, Compass mounting upper	1	G
-204	124630-8-10 AN960D8 AN365D832								HOOK, Compass side bungee	2	G
									SCREW	4	G
									WASHER	4	G
									NUT	4	G
		A USAF							41-39100 thru 41-39299		D USAF 41-39350 thru 41-39499
									43-22252 thru 43-22399		43-22651 thru 43-22751
									43-22467 thru 43-22493		E USAF 41-39500 thru 41-39599
		B USAF							41-39300 thru 41-39323		44-34098 thru 44-35996
									43-22400 thru 43-22466		F USAF 44-34333 thru 44-35197
									43-22494 thru 43-22590		
		C USAF							41-39324 thru 41-39349		G USAF 41-39324 thru 41-39349
									43-22591 thru 43-22650		

Section II
Group Assembly Parts List

T.O. 1B-26B-4
FUSELAGE

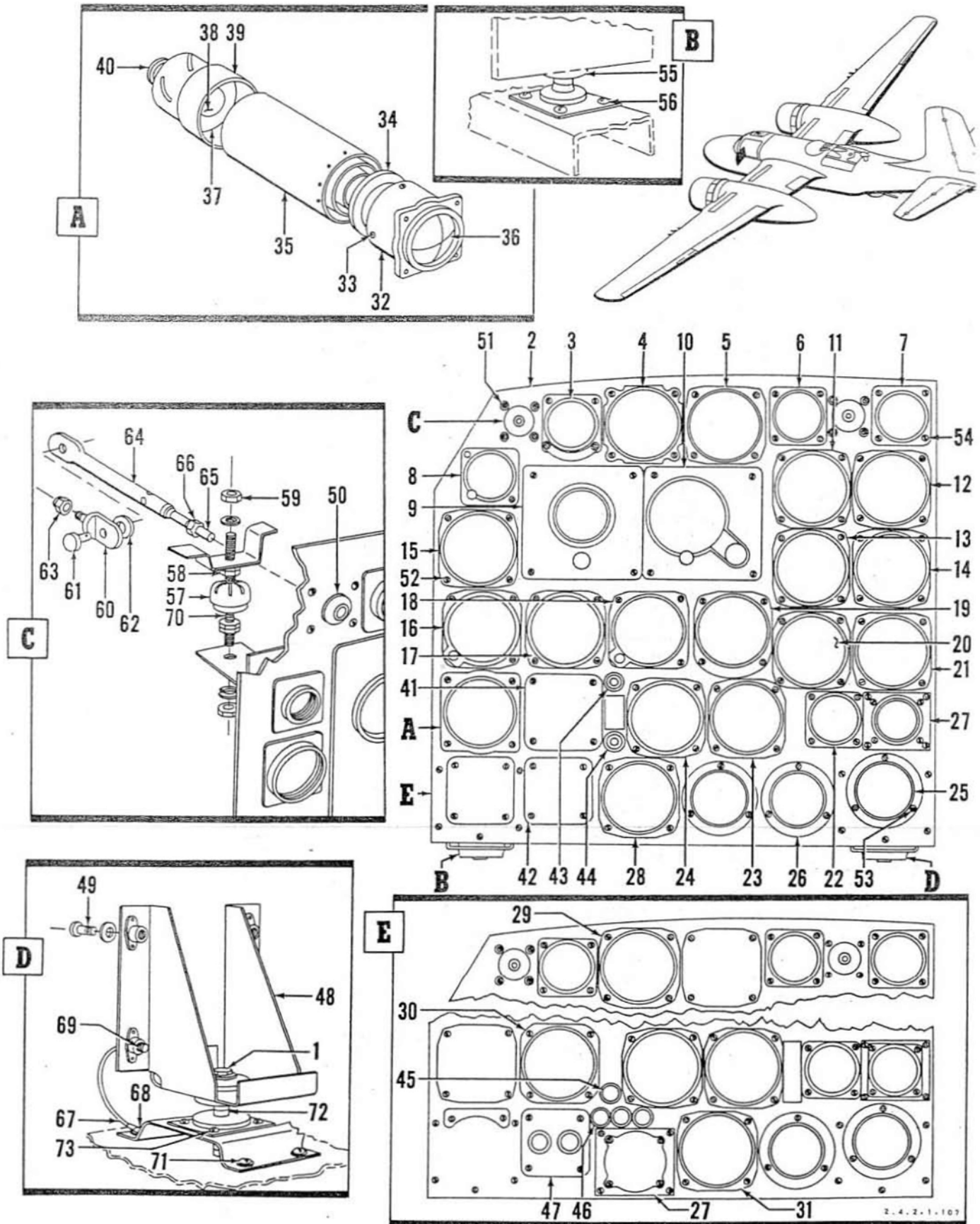


Figure 58. Pilot's Instrument Panel Installation

FIGURE & INDEX NO.	PART NO.	1	2	3	4	5	6	7	DESCRIPTION	UNITS PER ASSY	USABLE ON CODE
58-	5205045	PANEL INSTL, Pilot's instrument (see figure 57)							Ref		
	5205046	PANEL ASSY, Complete pilot instrument							1		A
	5206689	PANEL ASSY, Complete pilot instrument							1		B
-1	AN4-16	BOLT							2		
	34A1766-2	WASHER, Vibration absorber steel							4		
	34A1766D2	WASHER, Vibration absorber aluminum alloy							4		
	AN365-428	NUT							4		
-2	5204996	PANEL ASSY, Pilots instrument							1		A
	5206690	PANEL ASSY, Pilots instrument							1		B
-3	AN5790-7	INDICATOR (GFP)							1		
-4	IN4A	INDICATOR, Radio compass (BXR)							1		
	ID249A-ARN	INDICATOR, Course ID-249A/ARN (GFP) (see T.O. 1B-26-517)							1		C
-5	AN5730-2	COMPASS (GFP)							1		
-6	AN5771-5A	GAGE (GFP)							1		
-7	AN5771-3A	GAGE (GFP)							1		
-8	AN5743-2	CLOCK (GFP)							1		
-9	AN5735-1A	INDICATOR (GFP)							1		
-10	AN5736-1A	INDICATOR (GFP)							1		
-11	AN5770-2	GAGE (GFP)							1		
-12	AN5530-2	INDICATOR (GFP)							1		
-13	AN5772-4	GAGE (GFP)							1		
-14	AN5773-3	GAGE UNIT (GFP)							1		
-15	1426-37F-A6	INDICATOR, Airspeed (GFP)							1		
-16	AN5760-2D	ALTIMETER (GFP)							1		
-17	AN5820-1	INDICATOR (GFP)							1		
-18	AN5825-7	INDICATOR (GFP)							1		
-19	AN5795-6	INDICATOR (GFP)							2		
-20	AN5536T2A	INDICATOR, Cylinder head temperature dual (GFP)							1		
-21	8DJ12PBR	INDICATOR, Oil cooler exit door position (GE)							1		A
-22	AN5771-4A	GAGE (GFP)							1		
-23	GE8DJ20AAC	INDICATOR, Main tank fuel level (GE)							1		
-24	GE8DJ20AAD	INDICATOR, Auxiliary fuel tank level (GE)							1		
-25	90594	VOLTMETER, Type B1 (GFP)							1		
-26	90595	AMMETER, Type E-1 (GFP)							2		
-27	8DJ11PKA	INDICATOR, Wing flap position							1		
-28	AN5780-2	INDICATOR							1		B
-29	CB2100	COMPASS							1		B
-30		INDICATOR, Radio compass SIG type I-81 (GFP)							1		B
	ID250A-ARN	INDICATOR, Course ID-250A/ARN (GFP) (see T.O. 1B-26-517)							1		C
-31	GE8DJ20ACY	INDICATOR, Ferry tank fuel level (GE)							1		B
	4173533	INDICATOR ASSY, Teletale type							1		A
-32	4172506	FLANGE ASSY							1		
		(ATTACHING PARTS)									
-33	AN515B6-6	SCREW							4		
	AN960-6	WASHER							4		
	AN935-6L	WASHER							4		
		- - - * - - -									
-34	1172524	CUSHION							1		
-35	4172452	SHIELD ASSY							1		
-36	3API-906P1	TUBE, Cathode ray (RCA)							1		
-37	2172541	DISC ASSY							1		
-38	SS7L	SOCKET, Amphenol (AMP)							1		
	4173516	CAP ASSY							1		
-39	4172645	CAP							1		
-40	4172540	RECEPTACLE ASSY							1		
-41	107926-2	COVER							1		
-42	169295-2	COVER							1		
-43	42B3593-1	LAMP ASSY, Indicator (GFP)							1		A
-44	42B3593-3	LAMP ASSY, Indicator (GFP)							1		A
	AN3121-313	LAMP							2		A
-45	44A18454-2	LAMP ASSY, Indicator							1		B
-46	44A18454-3	LAMP ASSY, Indicator							3		B
-47	4283593-2	LAMP ASSY, Indicator							2		B
	AN3121-313	LAMP							6		B
-48	4204993	BRACKET ASSY, LH							1		
	4205031	BRACKET ASSY, RH							1		
		(ATTACHING PARTS)									
-49	AN520-10-12	SCREW							4		
	AN960D10	WASHER							4		
		- - - * - - -									
-50	150P4	MOUNT, Shock (LO)							2		
		(ATTACHING PARTS)									
-51	AN515-8-10	SCREW							4		
	AN960-8	WASHER							4		
	AN365-832	NUT							4		
		- - - * - - -									
-52	AN515B6-10	SCREW							7		
-53	AN515B6-6	SCREW							9		
	AN365B440	NUT							9		
	AN960A4	WASHER							9		
-54	AN515B6-14	SCREW							99		
	A6939-632-187	NUT (TIN)							AR		
		- - - * - - -									

Section II
Group Assembly Parts List

T.O. 1B-26B-4

FIGURE & INDEX NO.	PART NO.	DESCRIPTION							UNITS PER ASSY	USABLE ON CODE
		1	2	3	4	5	6	7		
58-55	150P15								1	
-56	AN515-8-10								4	
	AN960D8L								4	
	AN365-832								4	
-57	2277784								1	
-58	AN316-4R								2	
	AN935-416								1	
-59	AN315-4R								1	
	AN960-416								1	
	2205014								1	
	2205015								1	
-60	AN43-3								1	
-61	AN393-11								1	
-62	AN960-10L								1	
-63	AN365-428								1	
-64	2204988								1	
	2204988-4								1	
-65	1204989								1	
-66	AN363-428								1	
-67	AQ3QTB								1	
-68	AN515-8-10								1	
	AN960-8								1	
-69	AN520-10-12								1	
	AN960-10								1	
-70	2104301								1	
	AN935-10								1	
	AN960-10								1	
	AN315-3R								3	
	4205032								1	
-71	AN515-8-10								10	
	AN960-8								10	
-72	150P15								1	
-73	AN515-8-8								4	
	AN960-8								4	
	AN365-832								4	
		A USAF	41-39100	thru	41-39299					
			43-22252	thru	43-22399					
		B USAF	41-39300	thru	41-39599					
			43-22400	thru	43-22466					
			43-22494	thru	43-22751					
		C USAF	41-39403,	41-39425						
			41-39467,	41-39468						
			41-39479,	41-39525						
			43-22538,	43-22616						
			43-22714,	43-22728						
			44-34148,	44-34212						
			44-34602,	44-35229						
			44-35423,	44-35428						
			44-35619,	44-35733						

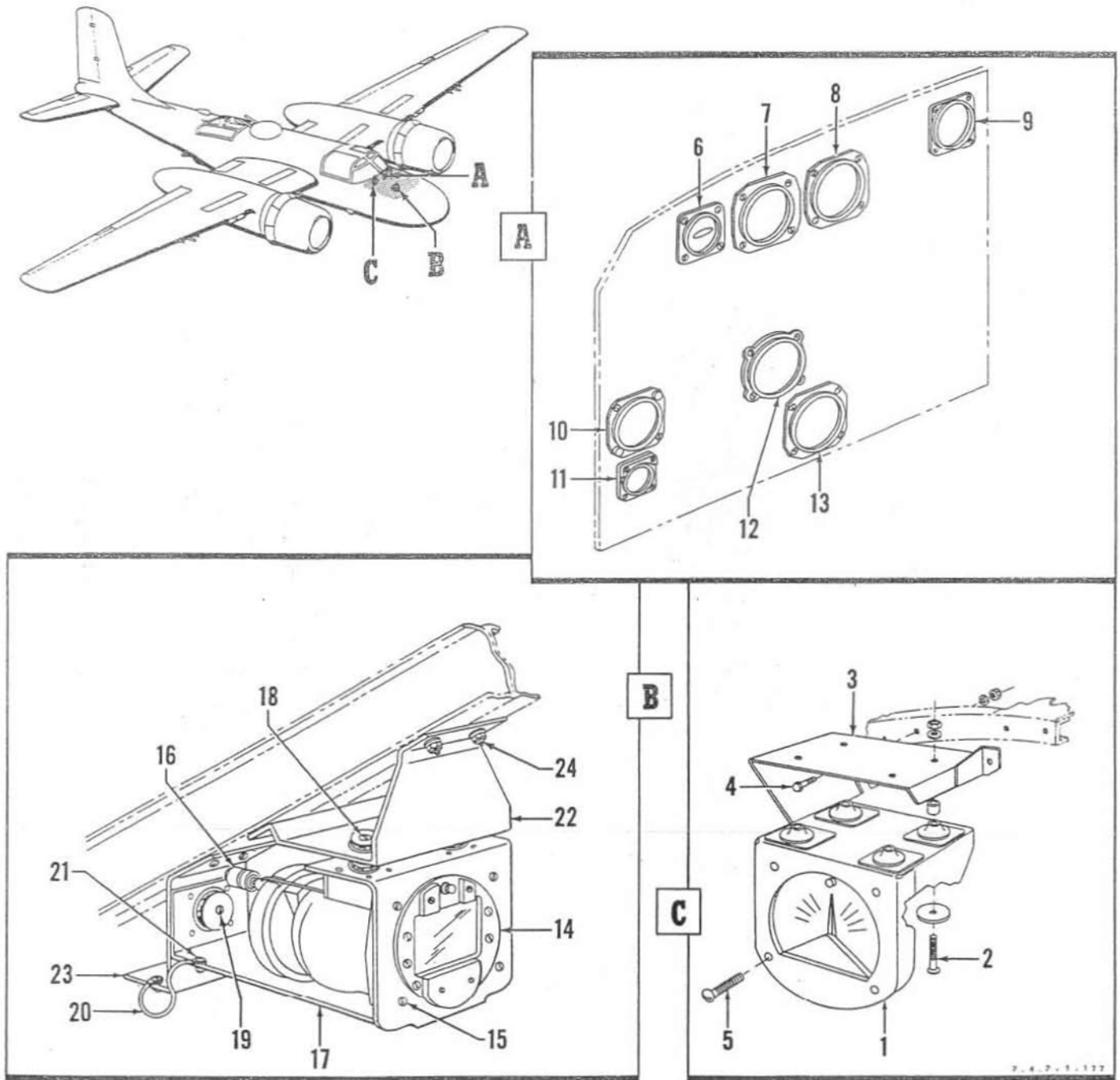


Figure 59. Instrument System Modification and Installation

Section II
Group Assembly Parts List

T. O. 1B-26B-4

FIGURE & INDEX NO.	PART NO.	1	2	3	4	5	6	7	DESCRIPTION	UNITS PER ASSY	USABLE ON CODE	
59-		INSTRUMENT SYSTEM MODIFICATION AND INSTL										
-1	48SCC139 46D2651								MOUNT INSTL, Pilot directional indicator (GFP)	1	A	
-2	AN515B8-18 48B24094DD2-16 AN8013D2 AN365B832								PANEL ASSY, Pilot directional indicator mounting (ATTACHING PARTS)	1	A	
									SCREW	4	A	
									SPACER	4	A	
									WASHER	8	A	
									NUT	4	A	
-3	48SCC11								BRACKET, Pilot directional indicator mounting (ATTACHING PARTS)	1	A	
-4	AN3-4A AN960-10 AN365-1032								BOLT	4	A	
									WASHER	4	A	
									NUT	4	A	
-5	AN515-8-8 51SCC1464								SCREW	4	A	
-6	AN6029-1								INSTRUMENT PANEL MODIFICATION, Pilot	1	A	
-7	AN5730-2A								INDICATOR	1	A	
-8	40D6321								COMPASS	1	A	
-9	AN6021-1A								INDICATOR, Pilot director (GFP)	1	A	
-10									GAGE	1	A	
-11	AN5771-4								INDICATOR, JAN type ID-14A/APN-1 (GFP)	1	A	
-12	L-101C								GAGE	1	A	
-13	GE8DJ20 52SCD447								INDICATOR, USAF type I-101C (GFP)	1	A	
									INDICATOR, Auxiliary fuel tank (relocated) (GFP)	1	A	
-14									COMPASS INSTL, Type B-16	1	A	
									COMPASS, USAF type B-16 (GFP)	1	A	
									(ATTACHING PARTS)			
-15	AN515B6-14 AN960B6 AN365B632								SCREW	4	A	
									WASHER	4	A	
									NUT	4	A	
-16	52SCA504								PLUG MODIFICATION, Electrical connector single circuit (GFP)	1	A	
-17	51SCC1572								BRACKET ASSY, Mount B-16 compass (ATTACHING PARTS)	1	A	
-18	AN515B8-26 48B24094DD2-12 AN8013D1 AN960B8 AN365B832								SCREW	2	A	
									SPACER	2	A	
									WASHER	4	A	
									WASHER	4	A	
									NUT	2	A	
-19	AN515B8-22 AN8013D1 AN960B8 AN365B832								SCREW	1	A	
									WASHER	2	A	
									WASHER	1	A	
									NUT	1	A	
-20	AN749-2-4								JUMPER (ATTACHING PARTS)	1	A	
-21	AN515B6-8 AN960B6 AN365B632								SCREW	1	A	
									WASHER	1	A	
									NUT	1	A	
-22	52SCC502								BRACKET ASSY, Upper support B-16 compass	1	A	
-23	52SCC448-2								BRACKET ASSY, Aft support B-16 compass (ATTACHING PARTS)	1	A	
-24	AN520B10-8 AN960B10 AN365B1032								SCREW	8	A	
									WASHER	8	A	
									NUT	8	A	
									(ATTACHING PARTS)			
		A USAF							44-34718, 44-34723, 44-35361, 44-35380, 44-35382, 44-35383, 44-35391, 44-35411, 44-35412, 44-35530, 44-35631, 44-35641, 44-35703, 44-35753, 44-35763, 44-35777, 44-35784, 44-35790, 44-35835, 44-35849, 44-35853, 44-35856, 44-35857, 44-35860, 44-35867, 44-35868, 44-35872, 44-35876, 44-35877, 44-35880, 44-35919, 44-35926, 44-35928, 44-35930, 44-35932, 44-35934.			

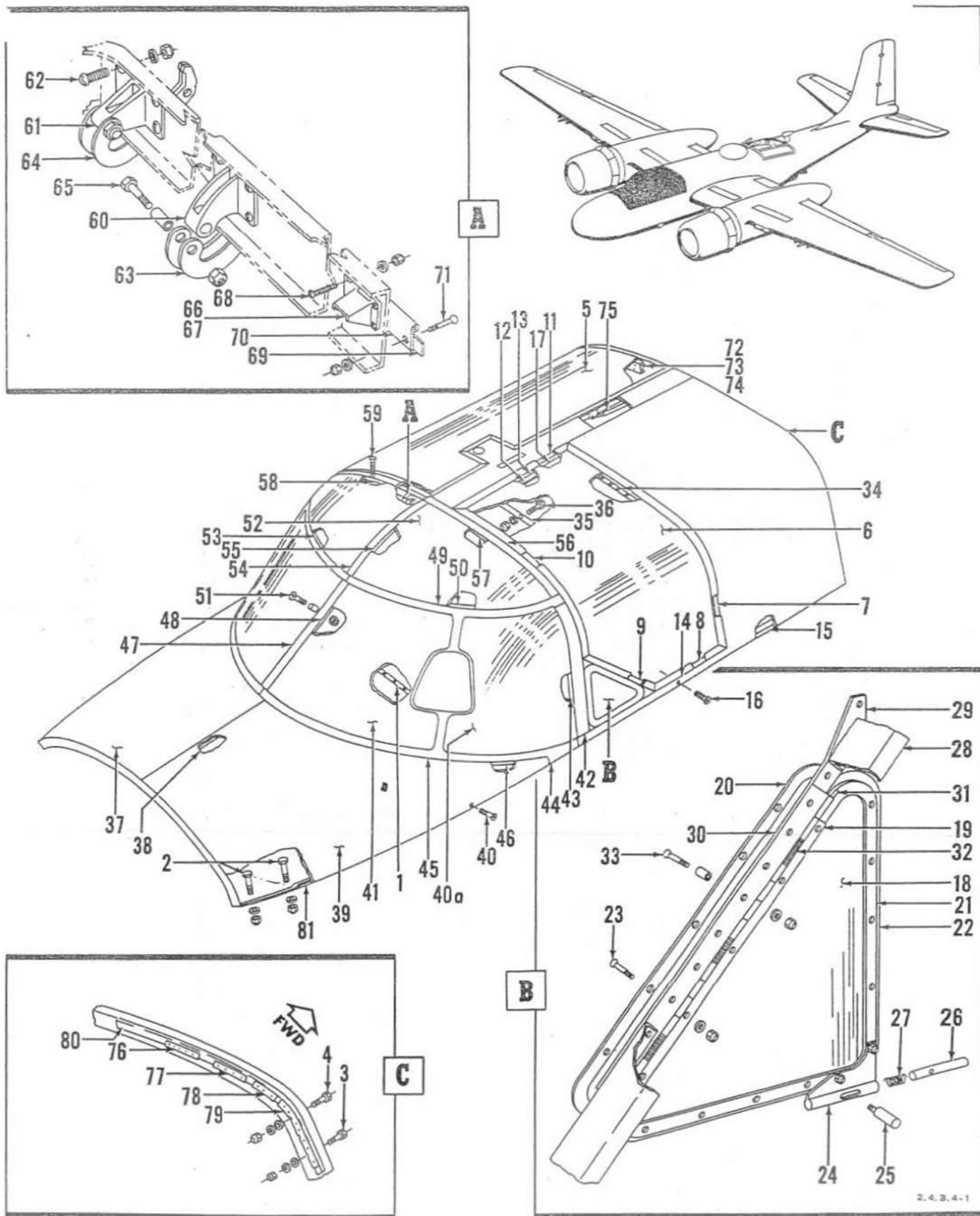


Figure 60. Pilot's Cockpit Enclosure Installation

Section II
Group Assembly Parts List

T.O. 1B-26B-4

FIGURE & INDEX NO.	PART NO.	1	2	3	4	5	6	7	DESCRIPTION	UNITS PER ASSY	USABLE ON CODE
60-	5206315								ENCLOSURE INSTL, Pilots cockpit (see figure 40)	Ref	A
-1	5194593								SHIELD INSTL, Instrument panel (see figure 68)	1	A
	5206315-28								ENCLOSURE ASSY, Pilot cockpit	1	A
-2	AN4-10A								BOLT	4	A
	AN970-4								WASHER	8	A
	AN365-428								NUT	4	A
-3	AN4-6A								BOLT	10	A
	124682-4F16-125								WASHER	10	A
	AN970-4								WASHER	10	A
	AN365-428								NUT	10	A
-4	AN4-7A								BOLT	2	A
	124682-4F16-125								WASHER	2	A
	AN970-4								WASHER	2	A
	AN365-428								NUT	2	A
-5	5207142								DOOR ASSY, Pilot access	1	A
	5206305								PANEL ASSY, Cockpit enclosure side fixed LH	1	A
-6	5206306								PANEL, Cockpit enclosure side fixed LH	1	A
-7	5206305-2								SEAL, Cockpit enclosure panel rubber	1	A
-8	5206305-8								SEAL, Cockpit enclosure panel rubber	1	A
-9	5206305-10								SEAL, Cockpit enclosure panel rubber	1	A
-10	5206305-4								SEAL, Cockpit enclosure panel rubber	1	A
-11	5206305-6								SEAL, Cockpit enclosure panel rubber	1	A
-12	5206315-46								RETAINER, Cockpit enclosure seal	1	A
-13	1159946-4524								BULB, Extruded elastic 3/8-in. diameter (5206315-54)	1	A
	AN520-10R20								(ATTACHING PARTS) SCREW (Formerly 1027300-10-20)	AR	A
	AN960D10								WASHER	AR	A
	AN365-1032								NUT	AR	A
-14	5206305-30								FAIRING, Cockpit enclosure side LH	2	A
	5206305-22								FAIRING, Cockpit enclosure side RH	1	A
-15	1000822N4908								STRIP, Hollow bulb neoprene weather (5206315-38 and 39)	2	A
	1114189Z8-12								(ATTACHING PARTS) SCREW, Flathead sheet metal 100° recessed	13	A
-17	5206315-64								RETAINER, Cockpit enclosure seal	1	A
	4206309								DOOR ASSY, Cockpit enclosure side ventilation window LH	1	A
-18	4207552								WINDOW, Cockpit enclosure side ventilation LH	1	A
-19	2208681								HINGE, Cockpit enclosure side ventilation door LH	1	A
-20	4207549								RETAINER, Cockpit enclosure side ventilation door LH	1	A
-21	4207550								RETAINER, Cockpit enclosure side ventilation door LH	1	A
-22	1159928-2900								BULB, Extruded elastic (4206309-2)	1	A
-23	AN507-632R10								(ATTACHING PARTS) SCREW (Formerly 1087510-6-10)	15	A
	AN960D6								WASHER	15	A
	22TM62								NUT, Stop (EN)	15	A
	2207727								LATCH ASSY, Cockpit enclosure side ventilation window LH	1	A
-24	2208620								LATCH, Cockpit enclosure side ventilation window LH	1	A
-25	2208621								KNOB, Cockpit enclosure side ventilation window latch LH	1	A
-26	2208622								PIN, Latch	1	A
-27	2207779								SPRING, Latch	1	A
-28	5206315-66								CHANNEL, Cockpit enclosure window	1	A
-29	5206315-68								GUSSET, Channel attaching	1	A
-30	145062AD1008								HINGE, 1-3/4 in. wide hood (5206315-7)	1	A
-31	121873-091-908								PIN, Safety	1	A
-32	1009677								SPRING, Hinge pin 3/16-in. ID	3	A
-33	AN509-8R9								SCREW (Formerly 1029421-8-10)	14	A
	NAS43HT2-20								SPACER (Formerly 117425-02S010)	14	A
	AN960D8								WASHER	14	A
	AN365-832								NUT	14	A
-34	4207508								FRAME, Enclosed fixed panel aft inner LH	1	A
-35	4207509								FRAME, Enclosed (ATTACHING PARTS)	1	A
-36	AN3-5A								BOLT	21	A
	AN960D10								WASHER	21	A
	AN365-1032								NUT	21	A
-37	5206310								STRUCTURE ASSY, Pilot cockpit enclosure	1	A
	5206310-22								PLATE, Pilot cockpit enclosure armor	1	A
	5191854								DOOR INSTL, Instrument panel access	1	A
-38	1080930-04B062								TUBE, Synthetic rubber 20-30 hardness	1	A
	1816										
-39	5191854-2								DOOR, Instrument panel access	1	A

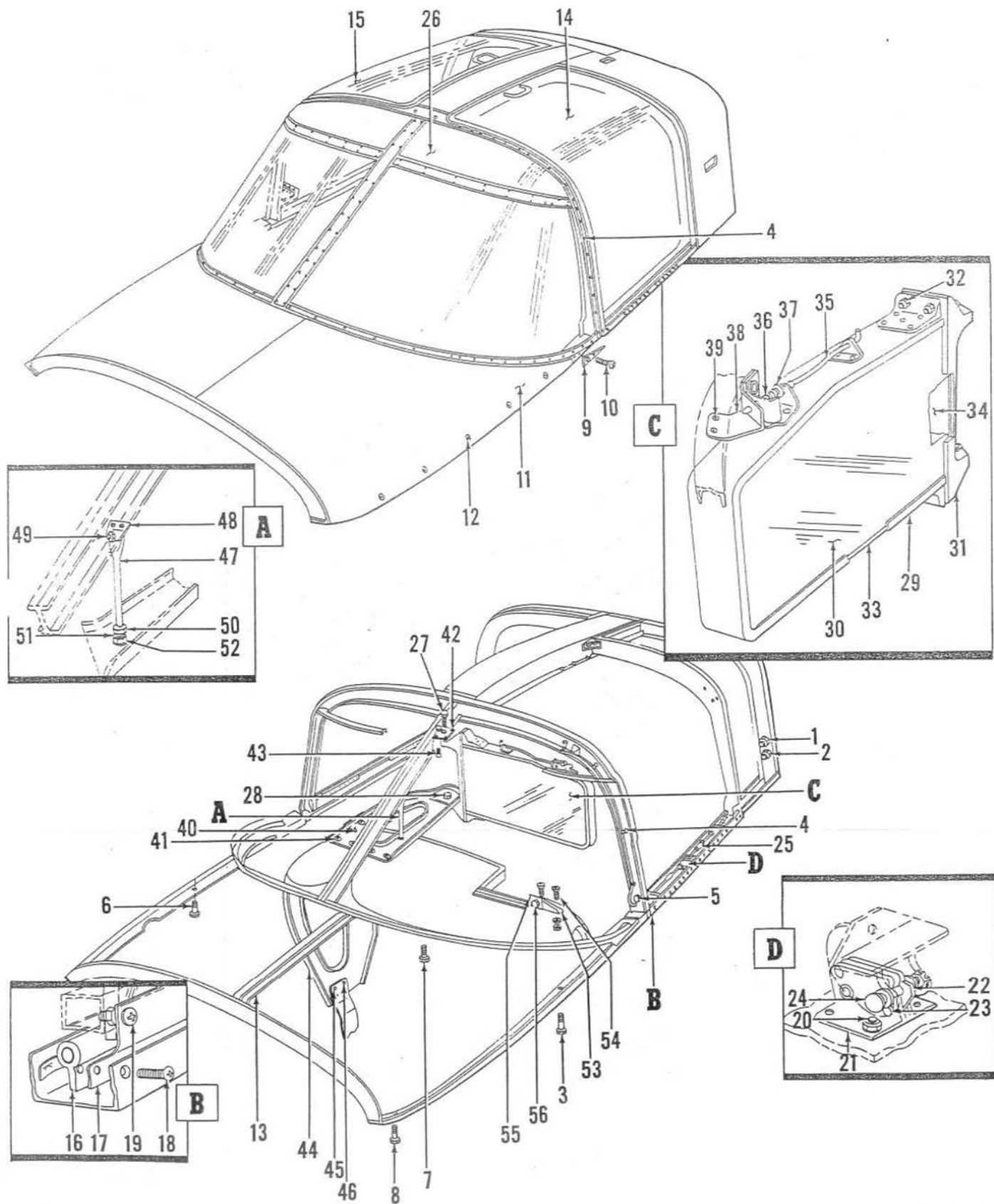
FIGURE & INDEX NO.	PART NO.	1	2	3	4	5	6	7	DESCRIPTION	UNITS PER ASSY	USABLE ON CODE
60-40	AN507-1032R14								(ATTACHING PARTS) SCREW (Formerly 1087510-10-14)	16	A
-40a	5208503-2								PANEL, Windshield glass outboard LH	1	A
	5208503-8								PANEL, Windshield glass outboard RH	1	A
-41	5208503-4								PANEL, Windshield glass inboard LH	1	A
	5208503-6								PANEL, Windshield glass inboard RH	1	A
-42	5206315-14								RETAINER, Cockpit windshield enclosure seal LH	1	A
	5206315-15								RETAINER, Cockpit windshield enclosure seal RH	1	A
-43	5206315-32								SEAL, Cockpit enclosure rubber	1	A
-44	5206315-82								RETAINER, Cockpit windshield enclosure seal LH	1	A
	5206315-17								RETAINER, Cockpit windshield enclosure seal RH	1	A
-45	5206315-80								RETAINER, Cockpit windshield enclosure seal LH	1	A
	5206315-3								RETAINER, Cockpit windshield enclosure seal RH	1	A
-46	1159948-5000								BULB, Extruded elastic (5206315-26)	2	A
-47	5206315-4								RETAINER, Cockpit windshield enclosure seal	1	A
-48	5206315-48								SEAL, Cockpit enclosure rubber	1	A
-49	5206315-6								RETAINER, Cockpit enclosure seal LH	1	A
	5206315-7								RETAINER, Cockpit enclosure seal RH	1	A
-50	5206315-34								SEAL, Cockpit enclosure	1	A
-51	AN507-1032R14								(ATTACHING PARTS) SCREW (Formerly 1087510-10-14)	72	A
	2033900-6D049-008								SPACER	72	A
	AN365-1032								NUT	72	A
-52	5193062								PANEL, Pilot enclosure dome LH	1	A
	5193062-1								PANEL, Pilot enclosure dome RH	1	A
-53	2193678-2								SEAL, Cockpit enclosure	4	A
-54	5206315-8								RETAINER, Cockpit enclosure seal	4	A
-55	2193678-4								SEAL, Cockpit enclosure	4	A
-56	5206315-62								RETAINER, Cockpit enclosure seal LH	1	A
	5206315-10								RETAINER, Cockpit enclosure seal RH	1	A
-57	5206315-42								SEAL, Cockpit enclosure	1	A
-58	2193678-6								SEAL, Cockpit enclosure	4	A
-59	1087510-10-10								(ATTACHING PARTS) SCREW, Flathead 100° recessed	45	A
-60	2143970								SUPPORT ASSY, Pilot access door hinge inboard	1	A
-61	2143971								SUPPORT ASSY, Pilot access door hinge outboard	1	A
-62	AN520-10R12								(ATTACHING PARTS) SCREW (Formerly 1027300-10-12)	4	A
	AN960D10								WASHER	4	A
	AN365-1032								NUT	4	A
-63	116500-6B100								BUSHING	1	A
	2143998								HINGE ASSY, Pilot access door inboard	1	A
-64	2143997								HINGE ASSY, Pilot access door outboard	1	A
-65	AN4-17A								(ATTACHING PARTS) BOLT	2	A
	1026614-4-102								SPACER, OD bearing	2	A
	AN365-428								NUT	2	A
-66	1202417								PLATE ASSY, Pilot access door latch striker	2	A
-67	AN520-10R10								(ATTACHING PARTS) SCREW (Formerly 1027300-10-10)	1	A
	AN960D10								WASHER	1	A
	AN365-1032								NUT	1	A
-68	AN520-10R12								SCREW (Formerly 1027300-10-12)	8	A
	AN960D10								WASHER	8	A
	AN365-1032								NUT	8	A
-69	5206315-72								RETAINER, Cockpit enclosure seal	1	A
-70	1159946-1500								BULB, Extruded elastic 3/8-in. diameter (5206315-44)	1	A
-71	AN507-1032R12								(ATTACHING PARTS) SCREW (Formerly 1087510-10-12)	16	A
	AN960D10								WASHER	16	A
	AN365-1032								NUT	16	A
-72	1202617								PLATE, Pilot access door latch stricker forward	2	A
-73	AN520-10R10								(ATTACHING PARTS) SCREW (Formerly 1027300-10-10)	1	A
	AN960D10								WASHER	1	A
	AN365-1032								NUT	1	A
-74	AN520-10R10								SCREW (Formerly 1027300-10-10)	4	A
	AN960D10								WASHER	4	A
	AN365-1032								NUT	4	A
-75	5204062								ARM ASSY, Pilot access door hold open	1	A
	1204104								PIN, Pilot access door hold open arm	1	A
-76	5206315-52								RETAINER, Cockpit enclosure seal	1	A
-77	5206315-56								RETAINER, Cockpit enclosure seal LH	1	A
	5206315-57								RETAINER, Cockpit enclosure seal RH	1	A
-78	5206315-58								RETAINER, Cockpit enclosure seal LH	1	A
	5206315-59								RETAINER, Cockpit enclosure seal RH	1	A
-79	5206315-50								RETAINER, Cockpit enclosure seal LH	1	A
	5206315-51								RETAINER, Cockpit enclosure seal RH	1	A

Section II

T.O. 1B-26B-4

Group Assembly Parts List

FIGURE & INDEX NO.	PART NO.	1 2 3 4 5 6 7 DESCRIPTION	UNITS PER ASSY	USABLE ON CODE
60-80 -81	1000822-8800 1000822N4616	STRIP, Hollow bulb rubber weather (5206315-60) STRIP, Hollow bulb neoprene weather (5206315-36 and 37) A USAF 41-39100 thru 41-39349 43-22252 thru 43-22464 43-22466 thru 43-22493 43-22495 thru 43-22583 43-22585 thru 43-22590 43-22592 thru 43-22595 43-22597 thru 43-22601	1 2	A A



2-4-2-1-200

Figure 61. Pilot's Cockpit Enclosure Installation

Section II

Group Assembly Parts List

T.O. 1B-26B-4

FIGURE & INDEX NO.	PART NO.	1 2 3 4 5 6 7	DESCRIPTION	UNITS PER ASSY	USABLE ON CODE
61-	5207766		ENCLOSURE INSTL, Pilot cockpit (see figure 40)	Ref	AB
-1	AN4-6A		BOLT	10	A,B
	AN970-4		WASHER	10	A,B
	124682-4F16-125		WASHER	10	A,B
	AN365-428		NUT	10	A,B
-2	AN507-832RS		SCREW (Formerly 1087510-8-8)	37	A,B
	AN365-832		NUT	37	A,B
-3	AN4-7A		BOLT	2	A,B
	AN960-416		WASHER	2	A,B
-4	1029421-10-16		SCREW	14	A,B
	AN960-10		WASHER	14	A,B
	AN365-1032		NUT	14	A,B
-5	AN3-10A		BOLT	4	A,B
	AN960-10L		WASHER	4	A,B
	AN365-1032		NUT	4	A,B
-6	AN4-7A		BOLT	17	A,B
	AN970-4		WASHER	17	A,B
	AN960-416		WASHER	17	A,B
	AN365-428		NUT	17	A,B
-7	AN4-7A		BOLT	2	A,B
	AN960-4		WASHER	2	A,B
-8	AN4-10A		BOLT	6	A,B
	AN960-416		WASHER	6	A,B
	AN365-428		NUT	6	A,B
	5207767		STRUCTURE ASSY, Pilot's cockpit enclosure complete	1	A,B
	5207768		STRUCTURE ASSY, Pilot's cockpit enclosure	1	A,B
-9	2208328		FILLET, Cockpit enclosure skin sta 45 LH	1	A,B
	2208328-1		FILLET, Cockpit enclosure skin sta 45 RH	1	A,B
			(ATTACHING PARTS)		
-10	AN507-1032R12		SCREW (Formerly 1087510-10-12)	2	A,B
	5207886		ACCESS DOOR INSTL, Instrument panel	1	A,B
-11	5207886-2		DOOR, Instrument panel access	1	A,B
			(ATTACHING PARTS)		
-12	AN507-1032R14		SCREW (Formerly 1087510-10-14)	16	A,B
	5207886-4		SEAL (Make from 1080930-04B062-1900)	1	A,B
-13	5207770		DOOR INSTL, Pilot's enclosure	1	A,B
-14	5208007		DOOR ASSY, Pilot's enclosure complete LH (see figure 62)	1	C
	5277576		DOOR ASSY, Pilot's enclosure complete LH (see figure 63)	1	D
-15	5207921		DOOR ASSY, Pilot's enclosure complete RH (see figure 62)	1	C
	5277639		DOOR ASSY, Pilot's enclosure complete RH (see figure 63)	1	D
-16	5207770-2		SEAL (Make from 1208050-3200)	1	A,B
	5207770-4		SEAL (Make from 1208050-4500)	1	A,B
-17	2208362		RETAINER, Enclosure door seal lower LH	1	A,B
	2208361		RETAINER, Enclosure door seal lower RH	1	A,B
-18	1114189Z8-6		SCREW	35	A,B
	A1778-821		NUT (TIN)	35	A,B
-19	AN507-832R10		SCREW (Formerly 1087510-8-10)	6	A,B
	AN960-8		WASHER	6	A,B
	AN365-832		NUT	6	A,B
	2207978		BASE ASSY, Pilot's enclosure door release complete	7	A,B
			(ATTACHING PARTS)		
-20	AN509-10R10		SCREW (Formerly 1029421-10-11)	2	A,B
	AN960D10L		WASHER	2	A,B
	AN365-1032		NUT	2	A,B
			(ATTACHING PARTS)		
-21	4207911		BASE ASSY, Enclosure door release	1	A,B
	116500-03C006		BUSHING	2	A,B
-22	2207898		LEVER, Enclosure door release	1	A,B
-23	146142-187-016		PIN	1	A,B
-24	AN24-28		BOLT	7	A,B
	2033901-8S225-003		SPACER	7	A,B
	AN960C416L		WASHER	7	A,B
	AN320-4		NUT	7	A,B
-25	5207772		DOOR MECHANISM INSTL, Pilot's cockpit enclosure	1	C
	5277384		(see figure 64)		
			DOOR MECHANISM INSTL, Pilot's cockpit enclosure	1	D
			(see figure 65)		
-26	5276206		WINDSHIELD AND DOME GLASS INSTL, Pilot's cockpit	1	
			(see figure 66)		
	5207771		GLASS INSTL, Pilot's bulletproof	1	A,B
	3208349		COMPLETE ASSY, Pilot's bulletproof glass	1	A,B
			(ATTACHING PARTS)		
-27	AN8-17		BOLT	1	A,B
	1026614-8-022		SPACER	1	A,B
	AN960-816		WASHER	1	A,B
	AN310-8		NUT	1	A,B
-28	AN8-15		BOLT	1	A,B
	1026614-8-024		SPACER	1	A,B
	AN960-816		WASHER	2	A,B
	AN960-816L		WASHER	2	A,B
	AN310-8		NUT	1	A,B
-29	3208349-6		COMPLETE ASSY, Pilot bulletproof glass	1	A,B

FIGURE & INDEX NO.	PART NO.								DESCRIPTION	UNITS PER ASSY	USABLE ON CODE
		1	2	3	4	5	6	7			
61-30	5208209								GLASS ASSY, Pilot bulletproof.....	1	A,B
-31	3208167								SUPPORT ASSY, Pilot bulletproof glass	1	A,B
	F841								BUSHING, Oilite (AXD)	4	A,B
-32	AN4-12								BOLT	4	A,B
	AN960-416								WASHER	4	A,B
	AN365-428								NUT	4	A,B
-33	3208349-2								FILLER	1	A,B
-34	3208349-4								FILLER	1	A,B
-35	2208308								PIN ASSY	1	A,B
-36	2208341								SPRING	1	A,B
-37	AN960-416								WASHER	3	A,B
-38	2208317								STOP ASSY, Bulletproof glass LH	1	A,B
	2208317-1								STOP ASSY, Bulletproof glass RH	1	A,B
									(ATTACHING PARTS)		
-39	AN520-10R10								SCREW (Formerly 1027300-10-10)	2	A,B
	AN960D10								WASHER	2	A,B
	AN365-1032								NUT	2	A,B
-40	3208184								SUPPORT ASSY, Bulletproof glass lower	1	A,B
									(ATTACHING PARTS)		
-41	AN520-10R10								SCREW (Formerly 1027300-10-10)	14	A,B
	AN960D10								WASHER	14	A,B
	AN365-1032								NUT	14	A,B
-42	2208210								SUPPORT ASSY, Bulletproof glass upper	1	A,B
									(ATTACHING PARTS)		
-43	AN4-7A								BOLT	4	A,B
	AN960-416								WASHER	4	A,B
	AN365-428								NUT	4	A,B
	5208096								PANEL SHIELD INSTL, Pilot's instrument.....	1	A,B
-44	5208069								SUPPORT, Instrument panel shield.....	1	A,B
									(ATTACHING PARTS)		
-45	AN520-10-10								SCREW	12	A,B
	AN960D10								WASHER	12	A,B
	AN365-1032								NUT	12	A,B
-46	AN520-10-8								SCREW	11	A,B
	AN960D10								WASHER	11	A,B
	AN365-1032								NUT	2	A,B
-47	2208135								SUPPORT, Instrument panel shield center.....	1	A,B
-48	2208136								CLIP	1	A,B
-49	AN4-5A								BOLT	3	A,B
	AN960D416								WASHER	3	A,B
	AN365-428								NUT	3	A,B
-50	AN315-4R								NUT	1	A,B
-51	AN960D416								WASHER	2	A,B
-52	AN365-428								NUT	1	A,B
-53	2275965								BRACKET	1	A,B
									(ATTACHING PARTS)		
-54	AN509-8R9								SCREW (Formerly 1029421-8-10)	2	A,B
	AN960-8								WASHER	2	A,B
	AN365-832								NUT	2	A,B
-55	2275966								STOP, Clear view panel	1	A,B
									(ATTACHING PARTS)		
-56	AN3-13								BOLT	1	A,B
	AN960-10								WASHER	1	A,B
	AN310-3								NUT	1	A,B
									(ATTACHING PARTS)		
		A USAF		41-39352 thru 41-35596					C USAF	41-39352 thru 41-39596	
				43-22494,						43-22494,	
				43-22602 thru 43-22751						43-22602 thru 43-22751	
				44-34099 thru 44-34329						44-34099 thru 44-34457	
				44-35198 thru 44-35346						44-35198 thru 44-35996	
		B USAF		44-34334 thru 44-34752					D USAF	44-34490 thru 44-34752	
				44-35358 thru 44-35996							

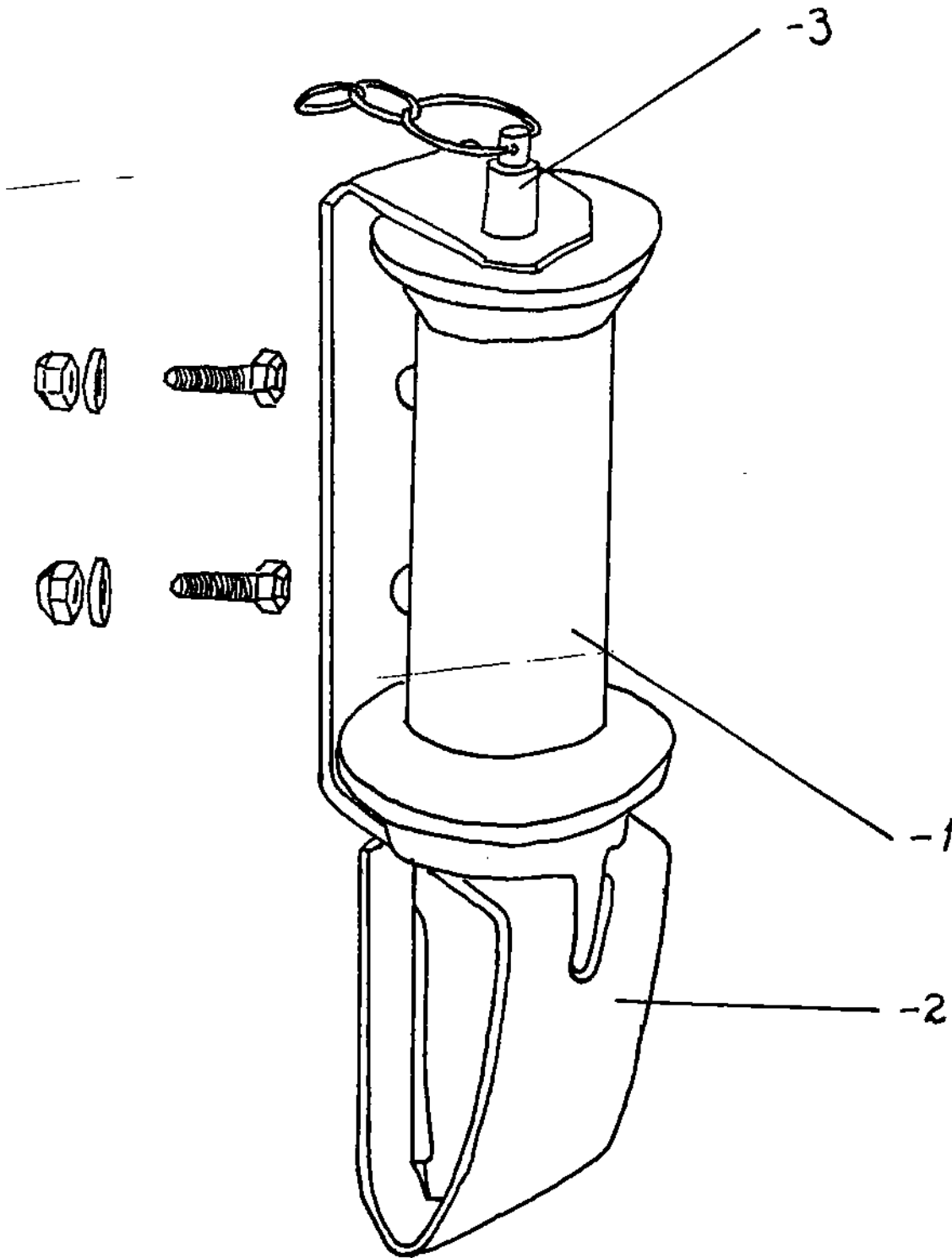


Figure 61A. Canopy Breaker Tool

FIGURE & INDEX NO.	PART NO.	DESCRIPTION 1 2 3 4 5 6 7	UNITS PER ASSY	USABLE ON CODE
61A-1 -2	61D4383-1	TOOL, CANOPY BREAKER	1	All
	61D4383-2	RETAINER, CANOPY BREAKER TOOL	1	All
-3	AN3-6A	BOLT	2	All
	AN960-10	WASHER	2	All
	MS20365-1032	NUT	2	All
	B409RN	PIN, TOOL RETAINER	1	All

Section II
Group Assembly Parts List

T.O. 1B-26B-4
FUSELAGE

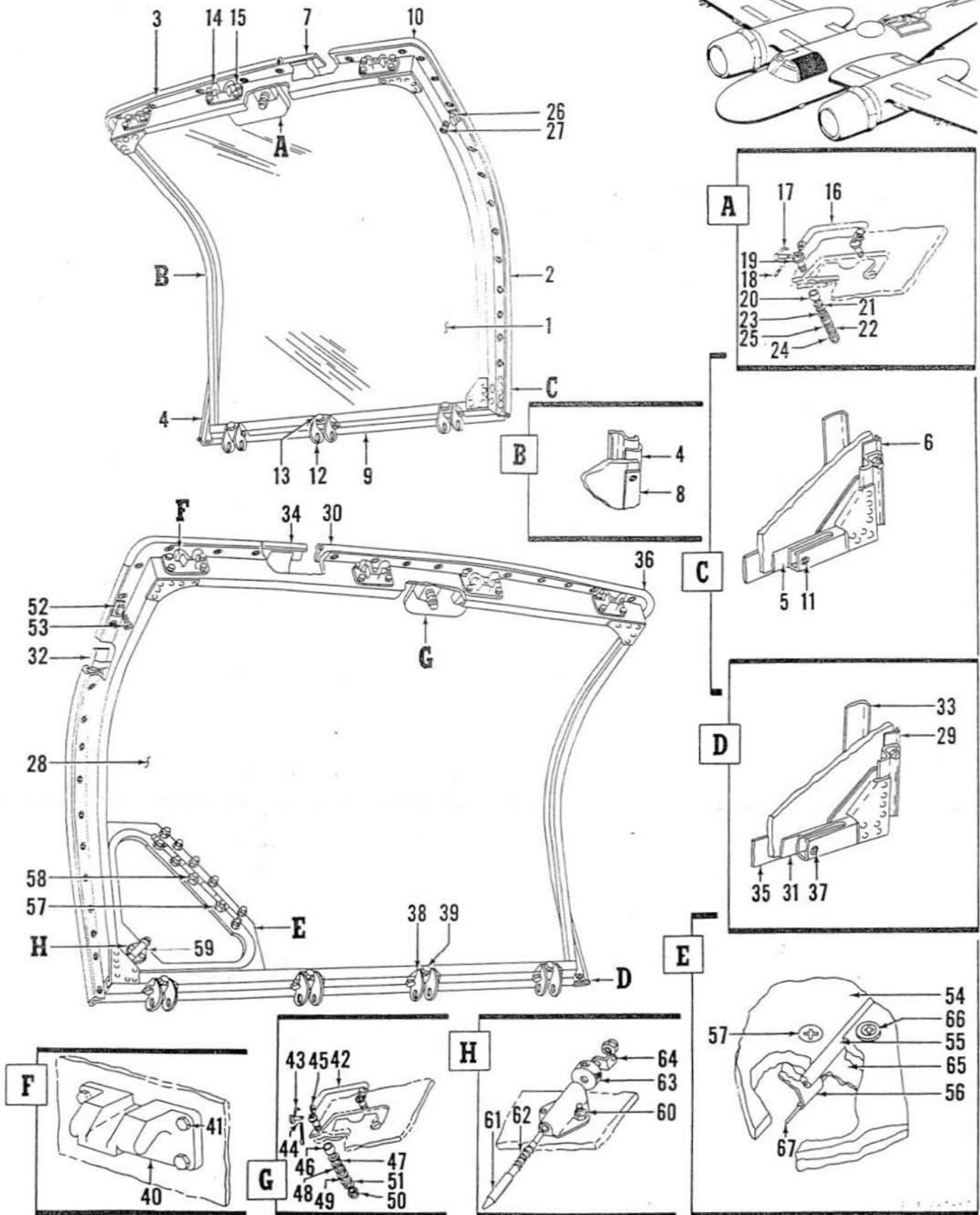


Figure 62. Pilot's Enclosure Doors

FIGURE & INDEX NO.	PART NO.	1	2	3	4	5	6	7	DESCRIPTION	UNITS PER ASSY	USABLE ON CODE
62-									PILOT'S ENCLOSURE DOORS		
	5208007								DOOR ASSY, Pilot's enclosure complete LH (see figure 61)	Ref	A
-1	5208283								DOOR ASSY, Pilot's enclosure LH	1	A
-2	1208815-3800								SEAL, Extruded elastic	1	A
-3	1208815-2610								SEAL, Extruded elastic	1	A
-4	1208815-3716								SEAL, Extruded elastic	1	A
-5	5208007-10								SEAL, Pilot enclosure door lower	1	A
-6	3208706								RETAINER, Pilot enclosure door LH forward	1	A
-7	3208707								RETAINER, Pilot enclosure door upper	1	A
-8	3208708								RETAINER, Pilot enclosure door aft	1	A
-9	2208158								STRIP, Pilot enclosure door seal LH lower	1	A
-10	Deleted								SEAL, Pilot enclosure door corner	1	A
-11	1029421-10-14								SCREW, Flathead 100° recessed	48	A
	1080930-03B.093-011								TUBE, Synthetic rubber 20-30 shore hardness	48	A
	AN365-1032								NUT	2	A
	22K1-02								NUT, Cap (EN)	46	A
-12	4207910								ARM ASSY, Pilot enclosure hinge (ATTACHING PARTS)	3	A
-13	AN3-5A								BOLT	3	A
	AN960-10L								WASHER	3	A
	AN365-1032								NUT	3	A
	A304-9								BEARING, Oilite (press to fit) (AXD)	2	A
-14	4207931								SOCKET, Pilot enclosure door latch (ATTACHING PARTS)	3	A
-15	AN3-5A								BOLT	4	A
	AN960-10L								WASHER	4	A
	22K1-02								NUT, Cap (EN)	4	A
-16	2208223								HANDLE, Pilot enclosure door	1	A
-17	2208225								SPRING, Pilot enclosure door handle torque LH	1	A
	2208225-1								SPRING, Pilot enclosure door handle torque RH	1	A
-18	AN392-23								PIN	2	A
-19	2208224								BOLT, Pilot enclosure door handle clevis	2	A
-20	1080930-03B.093-014								TUBE, Synthetic rubber 20-30 shore hardness	2	A
-21	124682-3S10-040								WASHER, Chrome molybdenum steel	4	A
-22	2033900-4S028-014								TUBE, Chromium molybdenum steel	2	A
-23	2208021								WASHER, Synthetic rubber pilot enclosure door	4	A
-24	22K1-02								NUT, Cap (EN)	2	A
-25	AN960-4L								WASHER	2	A
-26	2276030								PAD, Pilot enclosure door hold open arm anti-rattle (ATTACHING PARTS)	2	A
-27	1114189Z8-6								SCREW, Sheet metal 100° recessed flathead	4	A
	A1778-8Z1								NUT, Speed (TIN)	4	A
-28	5207921								DOOR ASSY, Pilot's enclosure complete RH (See figure 61)	1	A
-29	5208246								DOOR ASSY, Pilot enclosure RH	1	A
-30	1208815-3800								SEAL, Extruded elastic	2	A
-31	1208815-4200								SEAL, Extruded elastic	1	A
-32	5207921-2								SEAL, Pilot enclosure door lower	1	A
-33	3208706-1								RETAINER, Pilot enclosure door RH forward	1	A
-34	3208704								RETAINER, Pilot enclosure door RH aft	1	A
-35	3208705								RETAINER, Pilot enclosure door RH upper	1	A
-36	2208502								STRIP, Pilot enclosure door seal RH lower	1	A
-37	Deleted								SEAL, Pilot enclosure door corner	2	A
	1029421-10-14								SCREW, Flathead 100° recessed	57	A
	1080930-03B.093-011								TUBE, Synthetic rubber 20-30 shore hardness	57	A
	22K1-02								NUT, Cap (EN)	57	A
-38	4207910								ARM ASSY, Pilot enclosure hinge (ATTACHING PARTS)	4	A
-39	AN3-5A								BOLT	3	A
	AN960-10L								WASHER	3	A
	AN365-1032								NUT	3	A
	A304-9								BEARING, Oilite (press to fit) (AXD)	2	A
-40	4207931								SOCKET, Pilot enclosure door latch (ATTACHING PARTS)	4	A
-41	AN3-5A								BOLT	4	A
	AN960-10L								WASHER	4	A
	AN365-1032								NUT	4	A
-42	2208223								HANDLE, Pilot enclosure door	1	A
-43	2208225								SPRING, Pilot enclosure door handle torque LH	1	A
	2208225-1								SPRING, Pilot enclosure door handle torque RH	1	A
-44	AN392-25								PIN	2	A
-45	2208224								BOLT, Pilot enclosure door handle clevis	2	A
-46	1080930-03B.093-014								TUBE, Synthetic rubber 20-30 shore hardness	2	A
-47	124682-3S10-040								WASHER, Chrome molybdenum steel	4	A
-48	2033900-4S028-014								TUBE, Chromium molybdenum steel	2	A
-49	2208021								WASHER, Synthetic rubber pilot enclosure door	4	A
-50	22K1-02								NUT, Cap (EN)	2	A
-51	AN960-4L								WASHER	2	A
-52	2276030								PAD, Pilot enclosure door hold open arm anti-rattle	2	A

Section II
Group Assembly Parts List

T.O. 1B-26B-4

FIGURE & INDEX NO.	PART NO.	1	2	3	4	5	6	7	DESCRIPTION	UNITS PER ASSY	USABLE ON CODE
62-53	1114189Z8-6 A1778-8Z1								(ATTACHING PARTS) SCREW, Sheet metal 100° recessed flathead	2	A
									NUT, Speed (TIN)	2	A
	3207968								WINDOW ASSY, Pilot enclosure door ventilation	1	A
-54	3207968-6								WINDOW ASSY, Pilot enclosure door ventilation	1	A
-55	2208327								SEAL, Pilot enclosure door ventilation window	1	A
-56	2208063								HINGE, Pilot enclosure door ventilation window lower	1	A
									(ATTACHING PARTS)		
-57	AN509-10R14								SCREW (Formerly 1029421-10-15)	4	A
	A3235-020								WASHER, Round countersunk (TIN)	4	A
	2208021								WASHER, Synthetic rubber pilot enclosure door	4	A
	AN960-10L								WASHER	4	A
	22K1-02								NUT, Cap (EN)	4	A
-58	AN520-10-17								SCREW	1	A
	A3235-020								WASHER, Round countersunk (TIN)	1	A
	2208021								WASHER, Synthetic rubber pilot enclosure door	1	A
	AN960-10L								WASHER	1	A
	AN960-10								WASHER	2	A
	22K1-02								NUT, Cap (EN)	1	A
-59	2207994								LATCH ASSY, Pilot enclosure door ventilation window	1	A
									(ATTACHING PARTS)		
-60	AN509-10R16								SCREW (Formerly 1029421-10-17)	2	A
	A3235-020								WASHER, Round countersunk (TIN)	2	A
	2208021								WASHER, Synthetic rubber pilot enclosure door	2	A
	AN960-10L								WASHER	2	A
	22K1-02								NUT, Cap (EN)	2	A
-61	2207982								PIN, Pilot enclosure door ventilation window latch	1	A
-62	2207992								SPRINGS, Pilot enclosure door ventilation window latch	1	A
-63	2207986								KNOB, Pilot enclosure door ventilation window latch	1	A
-64	2209140								CEP, Pilot enclosure door ventilation window hold open	1	A
-65	2208078								HINGE, Pilot enclosure door ventilation window upper	1	A
									(ATTACHING PARTS)		
-66	1029421-10-16								SCREW, Flathead 100° recessed	6	A
	A3235-020								WASHER, Round countersunk (TIN)	6	A
	2208021								WASHER, Synthetic rubber pilot enclosure door	6	A
	22K1-02								NUT, Cap (EN)	6	A
-67	1027965-093-908								PIN, Stainless steel hinge	1	A
		A USAF							41-39350 thru 41-39599 44-34098 thru 44-34472 43-22465, 43-22584, 43-22591, 43-22494, 43-22596, 43-22602 thru 43-22751 44-35189 thru 44-35996.		

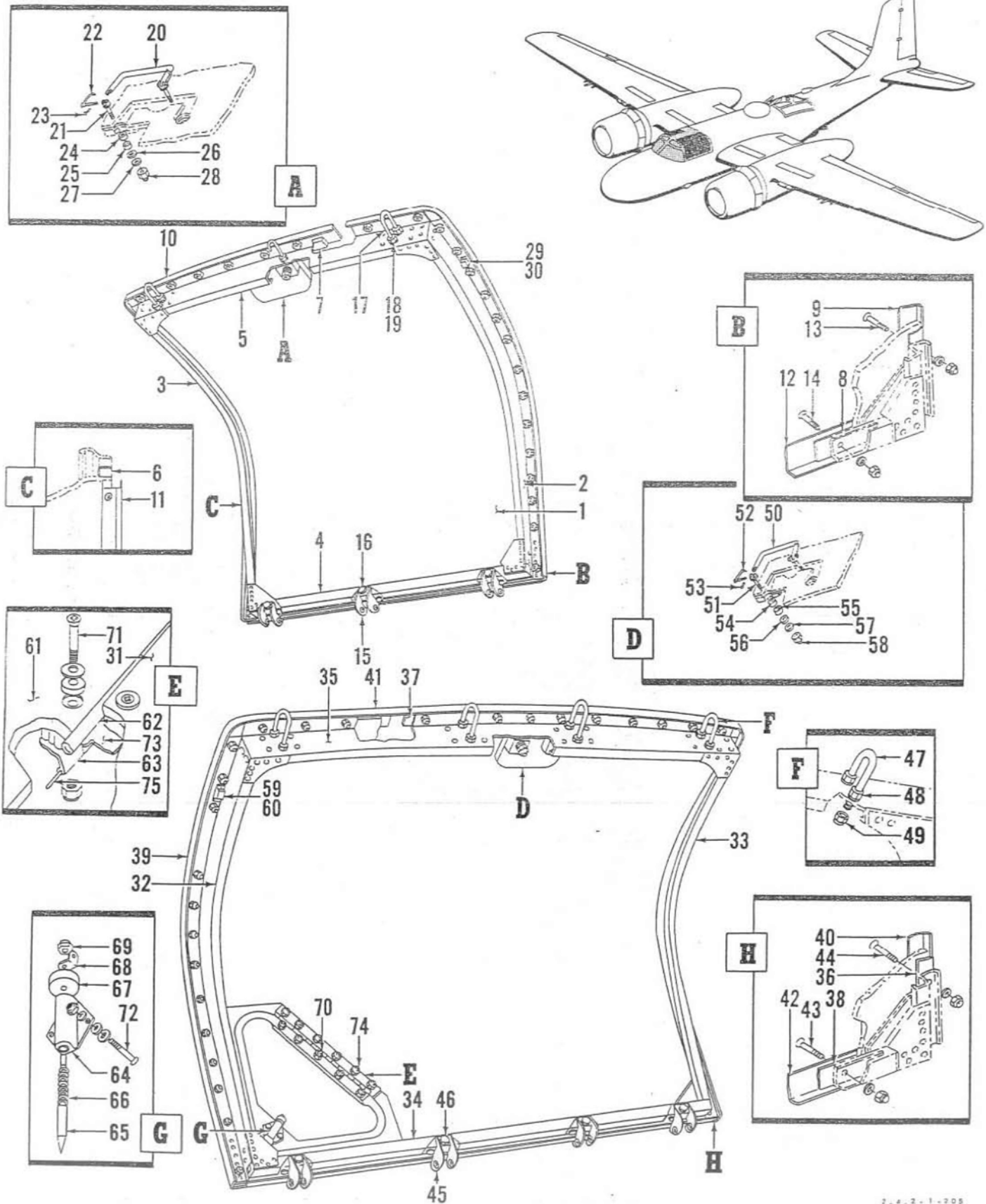


Figure 63. Pilot's Enclosure Doors

2-4-2-1-705

Section II
Group Assembly Parts List

T. O. 1B-26B-4

FIGURE & INDEX NO.	PART NO.	1	2	3	4	5	6	7	DESCRIPTION	UNITS PER ASSY	USABLE ON CODE
63-									PILOT'S ENCLOSURE DOORS		
	5277576								DOOR ASSY, Pilot enclosure complete LH (see figure 61)	1	A
-1	5277575								PANEL ASSY, Pilot enclosure LH	1	A
-2	3277580								FRAME, Pilot enclosure door sta 50 LH	1	A
-3	3277579								FRAME, Pilot enclosure door sta 80 LH	1	A
-4	3278123								SUPPORT, Pilot enclosure door lower LH	1	A
-5	3277323								FORMER, Pilot enclosure upper LH	1	A
-6	5277576-4								SEAL, Pilot enclosure door side LH	2	A
-7	5277576-6								SEAL, Pilot enclosure door upper LH	1	A
-8	5277576-8								SEAL, Pilot enclosure door lower LH	1	A
-9	3277583								RETAINER, Pilot enclosure door forward LH	1	A
-10	3277577								RETAINER, Pilot enclosure door upper LH	1	A
-11	3277581								RETAINER, Pilot enclosure door aft LH	1	A
-12	2278133								STRIP, Pilot enclosure door seal retainer lower LH	1	A
-13	1029421-10-14								SCREW, Flathead 100° recessed	35	A
	AN960-10L								WASHER	35	A
	22K1-02								NUT, Cap (EN)	35	A
-14	1029421-10-14								SCREW, Flathead 100° recessed	11	A
	AN960-10L								WASHER	11	A
	AN365-1032								NUT	11	A
-15	4207910								ARM ASSY, Pilot enclosure hinge	3	A
									(ATTACHING PARTS)		
-16	AN3-5A								BOLT	3	A
	AN960-10L								WASHER	6	A
	AN365-1032								NUT	3	A
-17	2277093								BOLT, Hatch lock "U"	3	A
-18	AN316-4R								NUT	6	A
	AN960D416								WASHER	6	A
-19	AN365-428								NUT	6	A
-20	2208223								HANDLE, Pilot enclosure door	1	A
-21	2208224								BOLT, Pilot enclosure door handle clevis	2	A
-22	2208225								SPRING, Pilot enclosure door handle torque LH	1	A
	2208225-1								SPRING, Pilot enclosure door handle torque RH	1	A
-23	AN392-25								PIN	2	A
-24	2033900-4S028-014								TUBE, Chromium molybdenum steel	2	A
-25	1080930-03B.093-014								TUBE, Synthetic rubber 20-30 shore hardness	2	A
-26	124682-3S10-040								WASHER	4	A
-27	2208021								WASHER, Pilot enclosure door handle	4	A
-28	22K1-02								NUT, Cap (EN)	2	A
-29	2276030								PAD, Pilot enclosure door open arm anti-rattle	2	A
									(ATTACHING PARTS)		
-30	1114189Z8-6								SCREW, Sheet metal 100° recessed	2	A
	A1778-8Z1								NUT, Speed (TIN)	2	A
									(ATTACHING PARTS)		
	5277639								DOOR ASSY, Pilot enclosure complete RH (see figure 61)	1	A
-31	5277574								PANEL ASSY, Pilot enclosure RH	1	A
-32	3277580-1								FRAME, Pilot enclosure door sta 50 RH	1	A
-33	3277578								FRAME, Pilot enclosure door sta 92 RH	1	A
-34	3278104								SUPPORT, Pilot enclosure door lower RH	1	A
-35	3277322								FORMER, Pilot enclosure door upper RH	1	A
-36	5277639-6								SEAL, Pilot enclosure door side RH	2	A
-37	5277639-8								SEAL, Pilot enclosure door upper RH	1	A
-38	5277639-2								SEAL, Pilot enclosure door lower RH	1	A
-39	3277583-1								RETAINER, Pilot enclosure door forward RH	1	A
-40	3277584								RETAINER, Pilot enclosure door aft RH	1	A
-41	3277582								RETAINER, Pilot enclosure door upper RH	1	A
-42	2278116								STRIP, Pilot enclosure door seal lower RH	1	A
-43	1029421-10-14								SCREW, Flathead 100° recessed	15	A
	AN960-10L								WASHER	15	A
	AN365-1032								NUT	15	A
-44	1029421-10-14								SCREW, Flathead 100° recessed	40	A
	AN960-10L								WASHER	40	A
	22K1-02								NUT, Cap (EN)	40	A
-45	4207910								ARM ASSY, Pilot enclosure hinge	4	A
									(ATTACHING PARTS)		
-46	AN3-5A								BOLT	3	A
	AN960-10L								WASHER	6	A
	AN365-1032								NUT	3	A
-47	2277093								BOLT, Hatch lock "U"	4	A
-48	AN316-4R								NUT	8	A
	AN960D416								WASHER	8	A
-49	AN365-428								NUT	8	A
-50	2208223								HANDLE, Pilot enclosure door	1	A
-51	2208224								BOLT, Pilot enclosure door handle clevis	2	A
-52	2208225								SPRING, Pilot enclosure door handle torque LH	1	A
	2208225-1								SPRING, Pilot enclosure door handle torque RH	1	A
-53	AN392-25								PIN	2	A
-54	2033900-4S028-014								TUBE, Chromium molybdenum steel	2	A
-55	1080930-03B.093-014								TUBE, Synthetic rubber 20-30 shore hardness	2	A
-56	124682-3S10-040								WASHER	2	A

FIGURE & INDEX NO.	PART NO.	DESCRIPTION							UNITS PER ASSY	USABLE ON CODE
		1	2	3	4	5	6	7		
63-57	2208021								2	A
-58	22K1-02								2	A
-59	2276030								2	A
-60	1114189Z8-6 A1778-8Z1								2	A
	3207968								2	A
-61	3207968-6								1	A
-62	2208327								1	A
-63	2208063								1	A
	2207994								1	A
-64	2207980								1	A
-65	2207982								1	A
-66	2207992								1	A
-67	2207986								1	A
-68	2209140								1	A
-69	22K1-02								1	A
-70	AN520-10-17								1	A
	AN960-10								1	A
	AN960-10L								1	A
	22K1-02								1	A
-71	AN509-10R14								4	A
	A3235-020								4	A
	2208021								4	A
	AN960-10L								4	A
	22K1-02								4	A
-72	AN509-10R16								2	A
	A3235-020								2	A
	2208021								2	A
	AN960-10L								2	A
	22K1-02								2	A
-73	2208078								1	A
-74	1029421-10-16								6	A
	A3235-020								6	A
	2208021								6	A
	AN960-10L								6	A
	22K1-02								6	A
-75	1027965-093-098								1	A

A USAF 44-34473 thru 44-34753

Section II
Group Assembly Parts List

T.O. 1B-26B-4
FUSELAGE

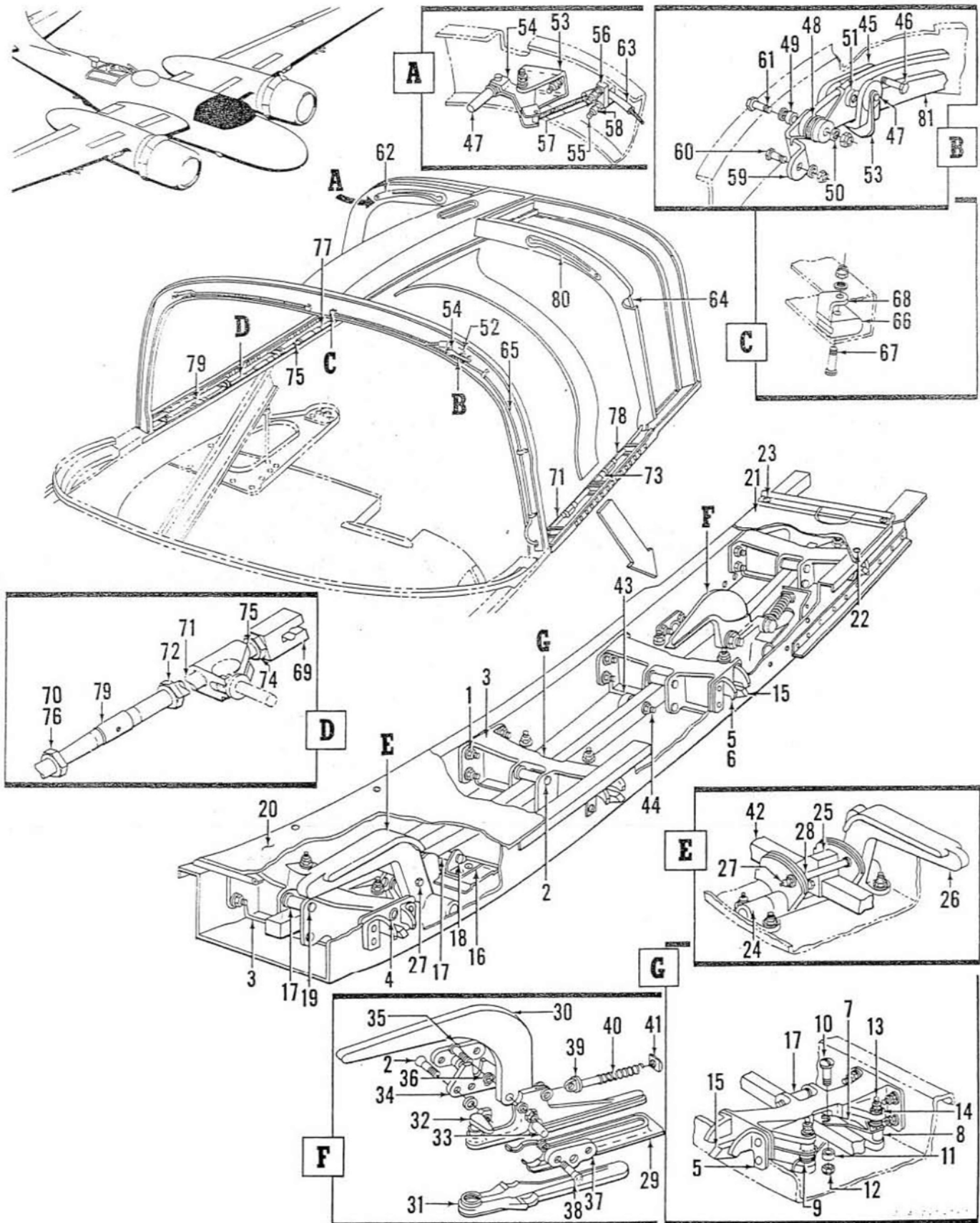


Figure 64. Pilot's Cockpit Enclosure Door Mechanism Installation

FIGURE & INDEX NO.	PART NO.	DESCRIPTION							UNITS PER ASSY	USABLE ON CODE
		1	2	3	4	5	6	7		
64-	5207772	DOOR MECHANISM INSTL, Pilot's cockpit enclosure							Ref	A
	3209313	(see figure 51) HOUSING ASSY							4	A
		(ATTACHING PARTS)								
-1	AN520-10R14	SCREW (Formerly 1027300-10-14)							32	A
	AN960-10L	WASHER							32	A
	AN365-1032	NUT							32	A
-2	1029421-6-16	SCREW							6	A
	AN960-10L	WASHER							6	A
	AN365-1032	NUT							6	A
		- - - * - - -								
-3	3207977	HOUSING							1	A
-4	2209312	BUSHING							2	A
-5	2207969	STOP, LH							7	A
	2207959-1	STOP, RH							7	A
-6	4207931	SOCKET, Cockpit enclosure door latch							7	A
-7	2208056	CRANK ASSY							7	A
-8	116500-3N016	SPACER							1	A
-9	2208857	SPRING							7	A
-10	AN23-20	BOLT							4	A
-11	1026614-3-006	SPACER							4	A
-12	AN364-1032	NUT							4	A
-13	AN3-14A	BOLT							7	A
-14	1026614G3-018	SPACER							7	A
-15	2207987	PIN, Pilot enclosure door latch							7	A
-16	2208025	SUPPORT ASSY							1	A
-17	2207995	ROLLER							9	A
-18	AN393-37	PIN, Flathead							1	A
	AN960-10L	WASHER							1	A
-19	AN393-45	PIN, Flathead							8	A
	AN960-10L	WASHER							8	A
-20	5208198	COVER ASSY							1	A
-21	3208233	PANEL ASSY							1	A
		(ATTACHING PARTS)								
-22	AN520-10R8	SCREW (Formerly 1027300-10-8)							4	A
	AN960-10L	WASHER							4	A
	AN365-1032	NUT							4	A
-23	1027300-10-10	SCREW							8	A
	AN960-10L	WASHER							8	A
	AN365-1032	NUT							8	A
		- - - * - - -								
-24	2208041	BLOCK							2	A
-25	2207990	BLOCK							1	A
-26	3207981	HANDLE							1	A
-27	AN4-30A	BOLT							1	A
-28	1026614G4-107	SPACER							1	A
-29	4208101	RETAINER							1	A
	4208108	HANDLE ASSY							1	A
-30	3208051	HANDLE							1	A
-31	2208055	SEAL							1	A
-32	105A	CYLINDER ASSY (RHW)							1	A
-33	2208058	PIN							1	A
-34	2207989	PLATE							1	A
-35	AN24-11	BOLT							1	A
-36	NAS75-4-006	BUSHING							1	A
-37	2208042	BLOCK							2	A
		(ATTACHING PARTS)								
-38	AN507-1032R18	SCREW (Formerly 1087510-10-18)							4	A
	AN960-10L	WASHER							4	A
	AN365-1032	NUT							4	A
		- - - * - - -								
-39	1151329	ROD							4	A
-40	1151328	SPRING							1	A
-41	1151330	BUMPER							1	A
-42	3208035	ROD							1	A
-43	2208168	STOP							1	A
		(ATTACHING PARTS)								
-44	AN507-1032R20	SCREW (Formerly 1087510-10-20)							1	A
	AN960-10L	WASHER							1	A
	AN365-1032	NUT							1	A
		- - - * - - -								
-45	2208428	GUIDE							4	A
		(ATTACHING PARTS)								
-46	AN3-5A	BOLT							8	A
	AN960-10L	WASHER							8	A
	AN365-1032	NUT							8	A
		- - - * - - -								
-47	2208406	PIN ASSY							1	A
-48	2208987	SPRING, LH							2	A
	2208987-1	SPRING, RH							2	A
-49	2033901-12D266-010	SPACER							4	A
-50	NAS43HT4-18	SPACER (Formerly 117425-45009)							4	A
-51	2033901-9CR312-009	SPACER							4	A
-52	2208820	SUPPORT ASSY							3	A
-53	2208401	SUPPORT ASSY							1	A
-54	2208615	CRANK ASSY							4	A

Section II

T.O. 1B-26B-4

Group Assembly Parts List

FIGURE & INDEX NO.	PART NO.	1	2	3	4	5	6	7	DESCRIPTION	UNITS PER ASSY	USABLE ON CODE
64-55	AN520-8R20								SCREW (Formerly 1027300-8-20)	12	A
-56	2208991								SPACER	12	A
-57	AN960D8								WASHER	12	A
-58	AN365-832								NUT	12	A
-59	2208703								SUPPORT	4	A
									(ATTACHING PARTS)		
-60	AN4-5A								BOLT	4	A
	AN960-416L								WASHER	4	A
	AN365-428								NUT	4	A
-61	NAS334P11								BOLT (Formerly 1175350-11)	4	A
	AN960-416L								WASHER	4	A
	AN320-4								NUT	4	A
-62	2208364								ARM	1	A
-63	2208821								CABLE ASSY	1	A
-64	2208754								CABLE ASSY	1	A
-65	2208755								CABLE ASSY	1	A
-66	2208856								BLOCK	2	A
									(ATTACHING PARTS)		
-67	AN520-10R20								SCREW (Formerly 1027300-10-20)	2	A
	AN960-10L								WASHER	2	A
	AN365-1032								NUT	2	A
-68	2208883								GUARD	2	A
-69	2208832								END	4	A
									(ATTACHING PARTS)		
-70	AN316-4R								NUT	4	A
-71	2208846								RQD ASSY	2	A
-72	AN316-4R								NUT	2	A
-73	2208847								RQD ASSY	2	A
-74	AN316-4L								NUT	2	A
-75	2208848								RQD ASSY	1	A
-76	AN316-4R								NUT	1	A
-77	2208866								RQD ASSY	1	A
-78	2208845								RQD ASSY	1	A
-79	AN155-32S								BARREL	5	A
-80	2208986								ARM	1	A
-81	2208715								ARM ASSY	2	A
									A USAF 41-39350 thru 41-39599 43-22485, 43-22494, 43-22584, 43-22591, 43-22596, 43-22602 thru 43-22751 44-34098 thru 44-34472 44-35198 thru 44-35996		

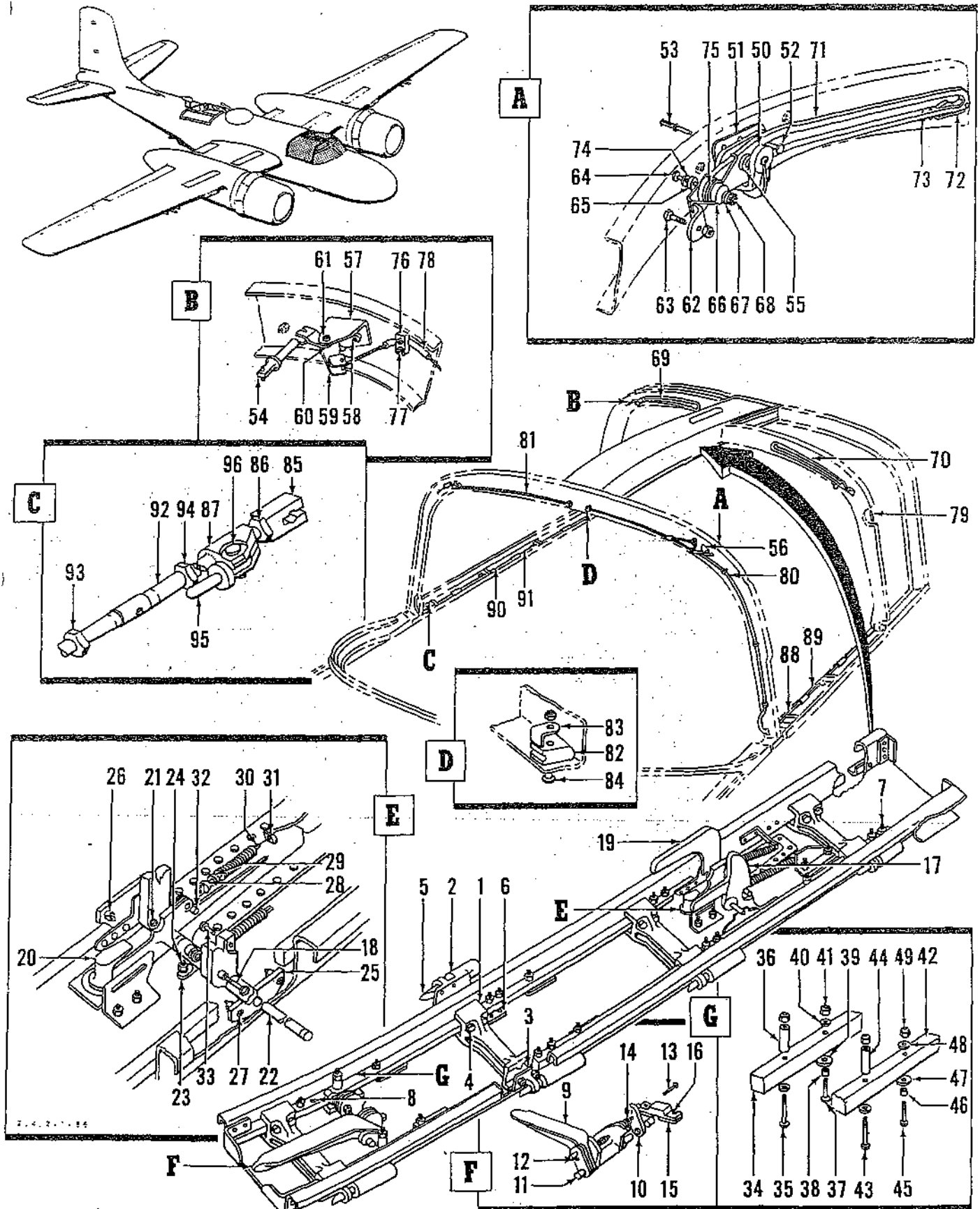


Figure 65. Pilot's Cockpit Enclosure Door Mechanism Installation

Section II
Group Assembly Parts List

T.O. 1B-26B-4

FIGURE & INDEX NO.	PART NO.	1	2	3	4	5	6	7	DESCRIPTION	UNITS PER ASSY	USABLE ON CODE
65-	5277384	DOOR MECHANISM INSTL, Pilot's cockpit enclosure (see figure 61)							Ref		
-1	3277074	BRACKET, Hatch lock							4		A
-2	4277075	SUPPORT, Hatch lock pin LH							3		A
	4277075-1	SUPPORT, Hatch lock pin RH							4		A
-3	5277384-2	ROLLER, Pilot enclosure door locking mechanism (aft side only)							14		A
-4	AN3-16A	BOLT (Two used on LH side aft)							8		A
	AN3-14A	BOLT (Used on LH side aft)							2		A
	AN960-10L	WASHER							8		A
	AN365-1032	NUT							8		A
-5	2277076	PIN ASSY, Hatch locking LH							3		A
	2277076-1	PIN ASSY, Hatch locking RH							4		A
-6	2277092	LEVER, Hatch lock pin actuating LH							3		A
	2277092-1	LEVER, Hatch lock pin actuating RH							4		A
		(ATTACHING PARTS)									
-7	AN3-10A	BOLT (One used on each forward lever)							2		A
	AN960-10L	WASHER							2		A
	AN365-1032	NUT							2		A
-8	NAS221-14	SCREW (Formerly 1029657P10-13)							1		A
	3277132	HANDLE ASSY, Pilot enclosure emergency release							1		A
-9	3207981-500	HANDLE ASSY, Pilot enclosure door emergency release							1		A
-10	2277131	LEVER ASSY, Emergency release							2		A
-11	2277774	PIN, Pilot enclosure door emergency release handle bearing							1		A
-12	NAS222-29	SCREW (Formerly 1029657P416-28)							1		A
	AN960-416	WASHER							1		A
	AN365-428	NUT							1		A
-13	NAS222-25	SCREW (Formerly 1029657P416-24)							1		A
	AN960-416	WASHER							1		A
	AN365-428	NUT							1		A
-14	2033900-8D120-012	TUBE, 24ST aluminum alloy							1		A
-15	2208041	BLOCK ASSY, Pilot enclosure door emergency handle bearing							2		A
		(ATTACHING PARTS)									
-16	AN507-1032-14	SCREW							2		A
	AN960-10L	WASHER							2		A
	AN365-1032	NUT							2		A
	NAS76A3-024	BUSHING							1		A
-17	4277209	HANDLE, Pilot enclosure door latching LH							1		A
-18	AN24-20A	BOLT							1		A
	NAS75-4-006	BUSHING							1		A
	AN960-416L	WASHER							1		A
	AN365-428	NUT							1		A
	4277391	HANDLE ASSY, Pilot enclosure door latching LH							1		A
-19	3208051	HANDLE, Pilot enclosure door latching							1		A
-20	105A	CYLINDER AND CAM ASSY (RHW)							1		A
-21	AN24-18A	BOLT							1		A
	NAS75-4-006	BUSHING							1		A
	AN960-416L	WASHER							1		A
	AN365-428	NUT							1		A
-22	146142-375A218	PIN							2		A
-23	2277207	BLOCK, Pilot enclosure door latch handle center bearing							1		A
		(ATTACHING PARTS)									
-24	AN507-1032-12	SCREW							2		A
	AN960-10L	WASHER							2		A
	AN365-1032	NUT							2		A
-25	2277291	BLOCK, Pilot enclosure door latch handle end bearing							2		A
		(ATTACHING PARTS)									
-26	AN520-416R12	SCREW							2		A
-27	AN507-1032-12	SCREW							2		A
	AN960-10L	WASHER							2		A
	AN365-1032	NUT							2		A
-28	1277334	ROD, Pilot enclosure door latching mechanism							2		A
-29	2033900-8D120-012	TUBE, 24ST aluminum alloy							1		A
-30	1277333	SPRING, Pilot enclosure door latching mechanism							2		A
-31	1151330	BUMPER, Pilot enclosure door latching mechanism							2		A
-32	2277547	PIN, Enclosure spring retainer							1		A
-33	AN394-27	PIN							1		A
	3277277	ROD ASSY, Pilot enclosure locking mechanism LH							1		A
-34	3277277-2	ROD, Pilot enclosure locking mechanism							1		A
-35	NAS221-27	SCREW (Formerly 1029657P10-26)							1		A
-36	2033901-8S189-025	SPACER, Chromium molybdenum steel							1		A
-37	NAS221-19	SCREW (Formerly 1029657P10-18)							2		A
-38	NAS76A3-005	BUSHING, Plain press fit bronze							2		A
-39	2277326	ROLLER, Pilot enclosure locking mechanism							2		A
-40	AN960-10	WASHER							3		A
-41	AN365-1032	NUT							3		A
	5277331	ROD ASSY, Pilot enclosure locking mechanism							1		A
-42	5277331-2	ROD, Pilot enclosure locking mechanism							1		A
-43	NAS221-29	SCREW (Formerly 1029657P10-28)							1		A
-44	2033901-8S189-025	SPACER, Chromium molybdenum steel							1		A
-45	NAS221-19	SCREW (Formerly 1029657P10-18)							3		A
-46	NAS76A3-005	BUSHING							3		A
-47	2277326	ROLLER, Pilot enclosure locking mechanism							3		A

FIGURE & INDEX NO.	PART NO.	1 2 3 4 5 6 7	DESCRIPTION	UNITS PER ASSY	USABLE ON CODE
65-48	AN960-10		WASHER	4	A
-49	AN365-1032		NUT	4	A
-50	2208428		GUIDE, Pilot enclosure door hold open arm forward (ATTACHING PARTS)	4	A
-51	2276596		SPACER, Pilot enclosure door handle open jettison	4	A
-52	AN3-5A		BOLT	2	A
	AN960-10L		WASHER	2	A
	AN365-1032		NUT	2	A
-53	2276597		PIN ASSY, Pilot cockpit enclosure door mechanism	3	A
-54	2208406		PIN ASSY, Pilot enclosure door handle open jettison	1	A
-55	2033901-9CR312-009		BAR, Corrosion resistant steel	4	A
-56	2208820		SUPPORT ASSY, Pilot enclosure	3	A
-57	2208401		SUPPORT ASSY, Pilot enclosure door hold open arm jettison (ATTACHING PARTS)	1	A
-58	AN520-10R8		SCREW	1	A
	AN960-10L		WASHER	1	A
	AN365-1032		NUT	1	A
-59	2208615		CRANK ASSY, Pilot enclosure door hold open arm jettison	4	A
-60	2208422		SPRING, Pilot enclosure door locking mechanism (ATTACHING PARTS)	4	A
-61	AN393-23		PIN	1	A
	AN960-10L		WASHER	1	A
-62	2277487		SUPPORT, Cockpit enclosure bar stop (ATTACHING PARTS)	4	A
-63	AN4-5A		BOLT	1	A
	AN960-416L		WASHER	1	A
	AN365-428		NUT	1	A
	2208364		ARM ASSY, Pilot enclosure door hold open aft RH	1	A
	2208986		ARM ASSY, Pilot enclosure door hold open aft LH	1	A
	2208715		ARM ASSY, Pilot enclosure door hold open forward (ATTACHING PARTS)	2	A
-64	NAS334PA13		BOLT	1	A
-65	117425-48009		SPACER, Chromium molybdenum steel	1	A
-66	2033901-12D266-018		SPACER, 17ST aluminum alloy	1	A
-67	AN960-416L		WASHER	1	A
-68	AN320-4		NUT	1	A
-69	2208364-2		ARM	1	A
-70	2208986-2		ARM	1	A
-71	2208363		ARM ASSY, Pilot enclosure door hold open forward	1	A
-72	2208163		SPRING (Used on 2208715) (ATTACHING PARTS)	1	A
-73	AN500A4-4		SCREW (Formerly 1027306-4-4)	2	A
	AN936A4		WASHER (Used on 2208715)	2	A
-74	AS21-4		BEARING, Oilite (AXD)	3	A
-75	2208987		SPRING, Pilot enclosure door LH	2	A
	2208987-1		SPRING, Pilot enclosure door RH	2	A
-76	2208991		BLOCK, Pilot enclosure door emergency release spacer (ATTACHING PARTS)	2	A
-77	AN520-8R20		SCREW	2	A
	AN960DB		WASHER	2	A
	AN365-832		NUT	2	A
-78	2208821		CABLE ASSY, Emergency release	1	A
-79	2208754		CABLE ASSY, Emergency release	1	A
-80	2208755		CABLE ASSY, Emergency release LH	1	A
-81	2208755-1		CABLE ASSY, Emergency release RH	1	A
-82	2208856		BLOCK, Pilot enclosure door emergency release	2	A
-83	2208883		GUARD, Pilot enclosure door emergency release cable (ATTACHING PARTS)	2	A
-84	AN520-10R20		SCREW	1	A
	AN960-10L		WASHER	1	A
	AN365-1032		NUT	1	A
-85	2208832		END, Pilot enclosure door hinge release rod	4	A
-86	AN316-4R		NUT	4	A
-87	2208846		ROD ASSY, Pilot enclosure door hinge release forward	2	A
-88	2208847		ROD ASSY, Pilot enclosure door hinge release	2	A
-89	2208845		ROD ASSY, Pilot enclosure door hinge release LH	1	A
-90	2208848		ROD ASSY, Pilot enclosure door hinge release RH	1	A
-91	2208866		ROD ASSY, Pilot enclosure door hinge release RH	1	A
-92	AN155-32S		BARREL	5	A
-93	AN316-4L		NUT	5	A
-94	AN316-4R		NUT	5	A
-95	2207899		PIN, Pilot enclosure door release (ATTACHING PARTS)	7	A
-96	AN393-19		PIN	1	A
	AN960-10L		WASHER	1	A
			A:USAF 44-34473 thru 44-34752		

Section II
Group Assembly Parts List

T.O. 1B-26B-4
FUSELAGE

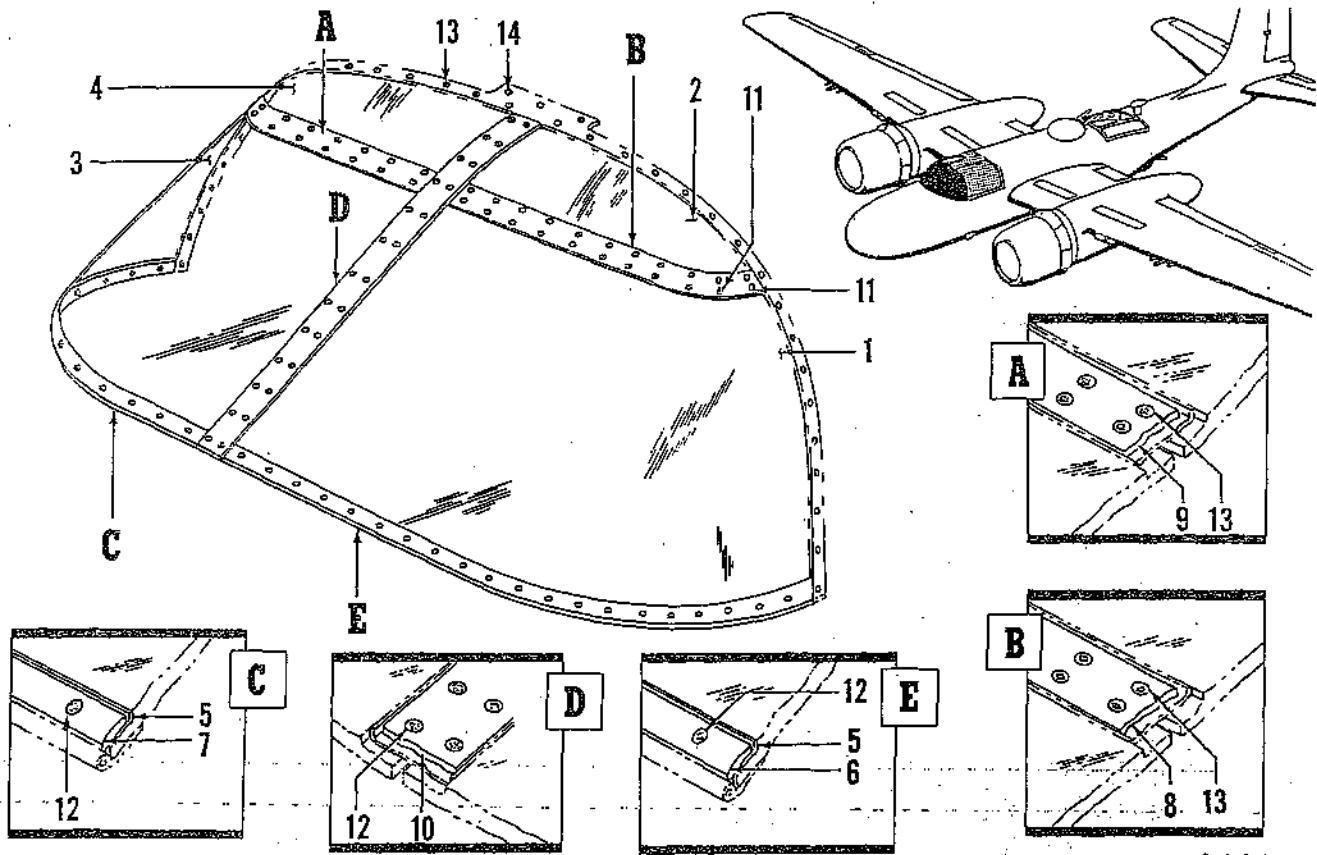


Figure 66. Pilot's Cockpit Windshield and Dome Glass Installation

FIGURE & INDEX NO.	PART NO.	1 2 3 4 5 6 7	DESCRIPTION	UNITS PER ASSY	USABLE ON CODE
66	5276206		WINDSHIELD AND DOME GLASS INSTL, Pilot's cockpit (see figure 61)	Ref	
-1	5276091		PANEL, Windshield glass LH.....	1	
-2	5208277		PANEL ASSY, Pilot enclosure dome LH.....	1	
-3	5208015-8		PANEL, Windshield glass RH.....	1	
-4	5208277-1		PANEL ASSY, Pilot enclosure dome RH.....	1	
-5	5276206-24		SEAL.....	2	
-6	5276206-8		RETAINER, Pilot cockpit windshield LH.....	1	
-7	5276206-9		RETAINER, Pilot cockpit windshield RH.....	1	
-8	5276206-16		RETAINER, Pilot cockpit windshield and dome glass LH.....	1	
-9	5276206-20		RETAINER, Pilot cockpit windshield and dome glass RH.....	1	
-10	5276206-6		RETAINER, Pilot cockpit windshield and dome glass.....	1	
-11	1114189Z8-8		SCREW, Recessed flathead 100°.....	2	
	2033900-6D049-006		SPACER.....	2	
	A6416-82		NUT (TIM).....	2	
-12	AN509-1032R14		SCREW (Formerly 1087510-10-14).....	58	
	AN960D10		WASHER.....	58	
	AN365-1032		NUT.....	58	
-13	AN509-1032R12		SCREW (Formerly 1087510-10-12).....	76	
	2033900-6D049-008		SPACER.....	76	
	AN960D10		WASHER.....	76	
	AN365-1032		NUT.....	76	
-14	1087510-10-10		SCREW, Steel 100° recessed flathead.....	3	
	AN960D10		WASHER.....	3	
	AN365-1032		NUT.....	3	

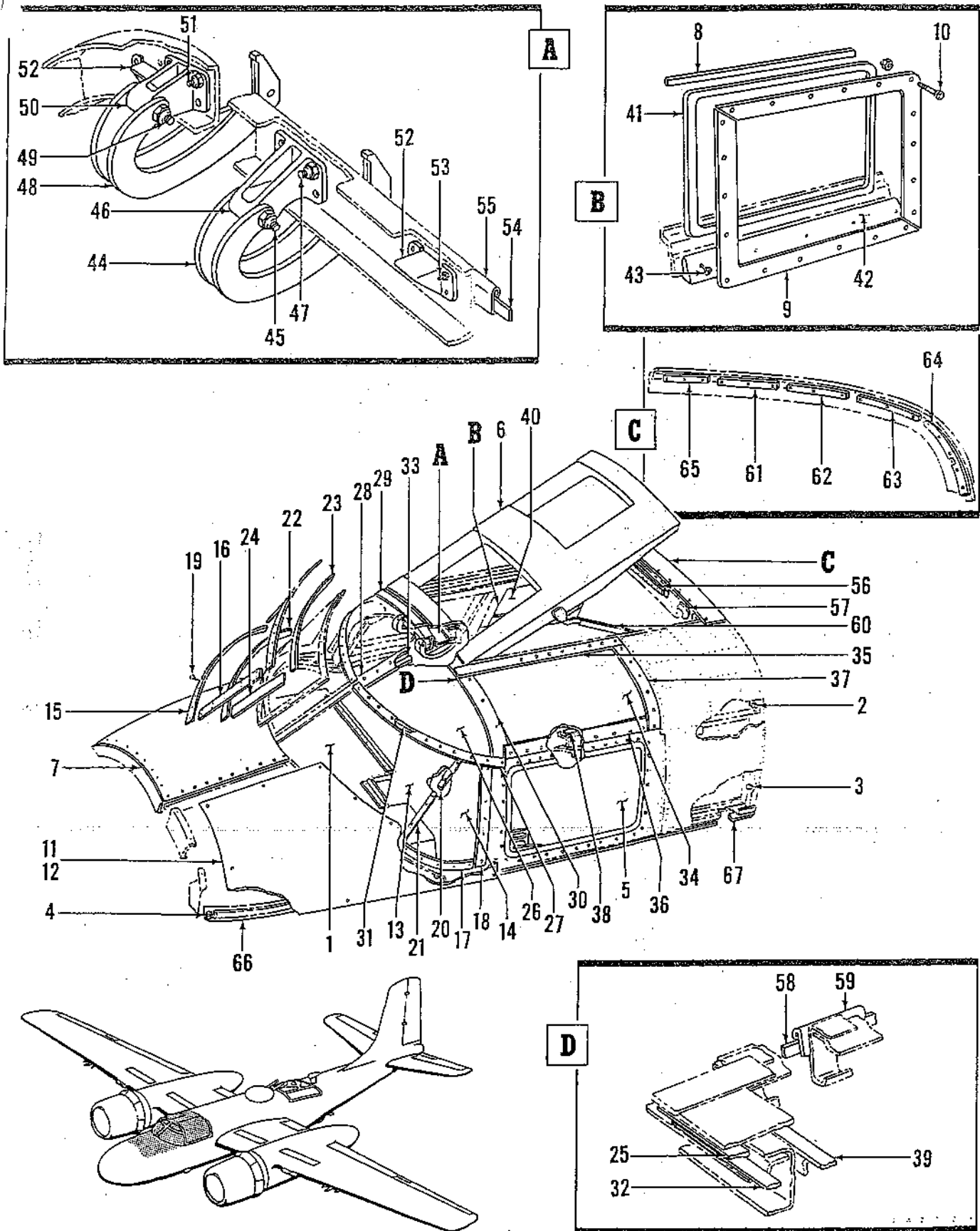


Figure 67. Pilot's Cockpit Enclosure Installation

Section II

Group Assembly Parts List

T.O. 1B-26B-4

FIGURE & INDEX NO.	PART NO.	1	2	3	4	5	6	7	DESCRIPTION	UNITS PER ASSY	USABLE ON CODE
67-	5153142								ENCLOSURE INSTL, Pilot cockpit (see figure 40)	Ref	A
-1	5194593								SHIELD INSTL, Instrument panel (see figure 68)	Ref	A
	5153142-28								ENCLOSURE ASSY, Pilot cockpit	1	A
									(ATTACHING PARTS)		
-2	AN4-7A								BOLT	2	A
	AN960-4								WASHER	2	A
-3	124682-4F16-125								BOLT	24	A
	AN970-4								WASHER	36	A
	AN960-416								WASHER	14	A
	124682-4F16-125								WASHER	12	A
	AN365-428								NUT	24	A
-4	AN4-10A								BOLT	2	A
	AN970-4								WASHER	2	A
	AN960-416								WASHER	2	A
	AN365-428								NUT	2	A
-5	5153145								WINDOW INSTL, Pilot enclosure sliding (see figure 68)	1	A
-6	5153144								DOOR ASSY, Pilot access (see figure 69)	1	A
	5153688								STRUCTURE ASSY, Pilot cockpit enclosure	1	A
-7	5153688-22								PLATE, Pilot cockpit enclosure armor	1	A
-8	2193678-12								SEAL, Cockpit enclosure	4	A
-9	2204219								RETAINER, Cockpit enclosure window rear RH	2	A
									(ATTACHING PARTS)		
-10	1087510-10-10								SCREW	AR	A
	AN365-1032								NUT	AR	A
									DOOR INSTL, Instrument panel access	1	A
-11	5191854								DOOR, Instrument panel access	1	A
	5191854-2								(ATTACHING PARTS)		
-12	AN507-1032R14								SCREW (Formerly 1087510-10-14)	16	A
									PANEL ASSY, Windshield glass LH	1	A
	5193079								PANEL ASSY, Windshield glass RH	1	A
-13	5193079-1								PANEL, Windshield glass LH	1	A
	5193079-4								PANEL, Windshield glass RH	1	A
-14	5193079-5								PANEL, Windshield glass LH	1	A
	5193079-2								PANEL, Windshield glass RH	1	A
-15	5193079-3								PANEL, Windshield glass LH	1	A
	5153142-2								PANEL, Windshield glass RH	1	A
	5153142-3								RETAINER, Cockpit enclosure seal LH	1	A
-16	5153142-4								RETAINER, Cockpit enclosure seal RH	1	A
-17	5153142-90								RETAINER, Cockpit enclosure seal LH	1	A
	5153142-91								RETAINER, Cockpit enclosure seal RH	1	A
-18	5153142-14								RETAINER, Cockpit enclosure seal LH	1	A
	5153142-15								RETAINER, Cockpit enclosure seal RH	1	A
-19	AN507-1032R14								SCREW (Formerly 1087510-10-14)	AR	A
	2033900-6D049-008								SPACER	AR	A
	AN960D10								WASHER	AR	A
	AN365-1032								NUT	AR	A
-20	5153142-88								STRIP, Pilot cockpit enclosure inner LH	1	A
	5153142-89								STRIP, Pilot cockpit enclosure inner RH	1	A
-21	5153142-86								STRIP, Pilot cockpit enclosure outer LH	1	A
	5153142-87								STRIP, Pilot cockpit enclosure outer RH	1	A
-22	5153142-78								SEAL, Cockpit enclosure rubber	2	A
-23	5153142-76								SEAL, Cockpit enclosure rubber	2	A
-24	5153142-72								SEAL, Cockpit enclosure rubber	1	A
-25	5153142-74								SEAL, Cockpit enclosure rubber	2	A
-26	5193062								PANEL, Pilot enclosure dome LH	1	A
	5193062-1								PANEL, Pilot enclosure dome RH	1	A
-27	5153142-6								RETAINER, Cockpit enclosure seal LH	1	A
	5153142-7								RETAINER, Cockpit enclosure seal RH	1	A
-28	5153142-8								RETAINER, Cockpit enclosure seal	1	A
-29	5153142-10								RETAINER, Cockpit enclosure seal	1	A
-30	5153142-12								RETAINER, Cockpit enclosure seal	1	A
-31	2193678-2								SEAL, Cockpit enclosure	4	A
-32	2193678-6								SEAL, Cockpit enclosure	4	A
-33	2193678-4								SEAL, Cockpit enclosure	4	A
-34	4192829								PANEL, Cockpit enclosure plexiglas upper	1	A
-35	5153142-16								RETAINER, Cockpit enclosure seal	1	A
-36	5153142-18								RETAINER, Cockpit enclosure seal	1	A
-37	5153142-20								RETAINER, Cockpit enclosure seal	1	A
-38	2193678-10								SEAL, Cockpit enclosure	4	A
-39	2193678-8								SEAL, Cockpit enclosure	4	A
-40	4192941								PANEL, Cockpit enclosure fixed window	1	A
-41	2193678-12								SEAL, Cockpit enclosure	4	A
-42	5153142-84								FAIRING, Cockpit enclosure window rear RH	1	A
									(ATTACHING PARTS)		
-43	1114189Z8-12								SCREW	AR	A
-44	2143998								HINGE ASSY, Pilot access door inboard	1	A
-45	AN4-17A								BOLT	1	A

FIGURE & INDEX NO.	PART NO.	DESCRIPTION							UNITS PER ASSY	USABLE ON CODE
		1	2	3	4	5	6	7		
67-46	1026614-4-102								1	A
	AN365-428								1	A
	2143970								1	A
-47	AN520-10R12								4	A
	AN960D10								4	A
	AN365-1032								4	A
									1	A
-48	116500-6B100								1	A
	2143997								1	A
-49	AN4-17A								1	A
	1026614-4-102								1	A
-50	AN365-428								1	A
	2143971								1	A
									4	A
-51	AN520-10R12								4	A
	AN960D10								4	A
	AN365-1032								4	A
-52	116500-6B100								1	A
	1202417								2	A
									4	A
-53	AN520-10R12								4	A
	AN960D10								4	A
	AN365-1032								4	A
-54	5153142-50								1	A
	1159946-3200								2	A
-55	5153142-42								1	A
	5153142-44								2	A
-56	1202617								2	A
	5153142-46								2	A
-57	AN530-10-8								AR	A
	A6191-10Z3								AR	A
									1	A
-59	1159946-4524								1	A
	5204062								1	A
-60	1204104								1	A
	5153142-68								1	A
-61	5153142-66								1	A
	5153142-67								1	A
-62	5153142-64								1	A
	5153142-65								1	A
-63	5153142-70								1	A
	5153142-71								1	A
-64	1000822-8800								1	A
	1114189Z8-8								AR	A
-65									2	A
	1000822N4616								2	A
-66	1000822N4908								2	A
									2	A
-67									2	A
									2	A
		A								

A USAF 41-39100 thru 41-39199
43-22252 thru 43-22283

Section II
Group Assembly Parts List

T.O. 1B-26B-4
FUSELAGE

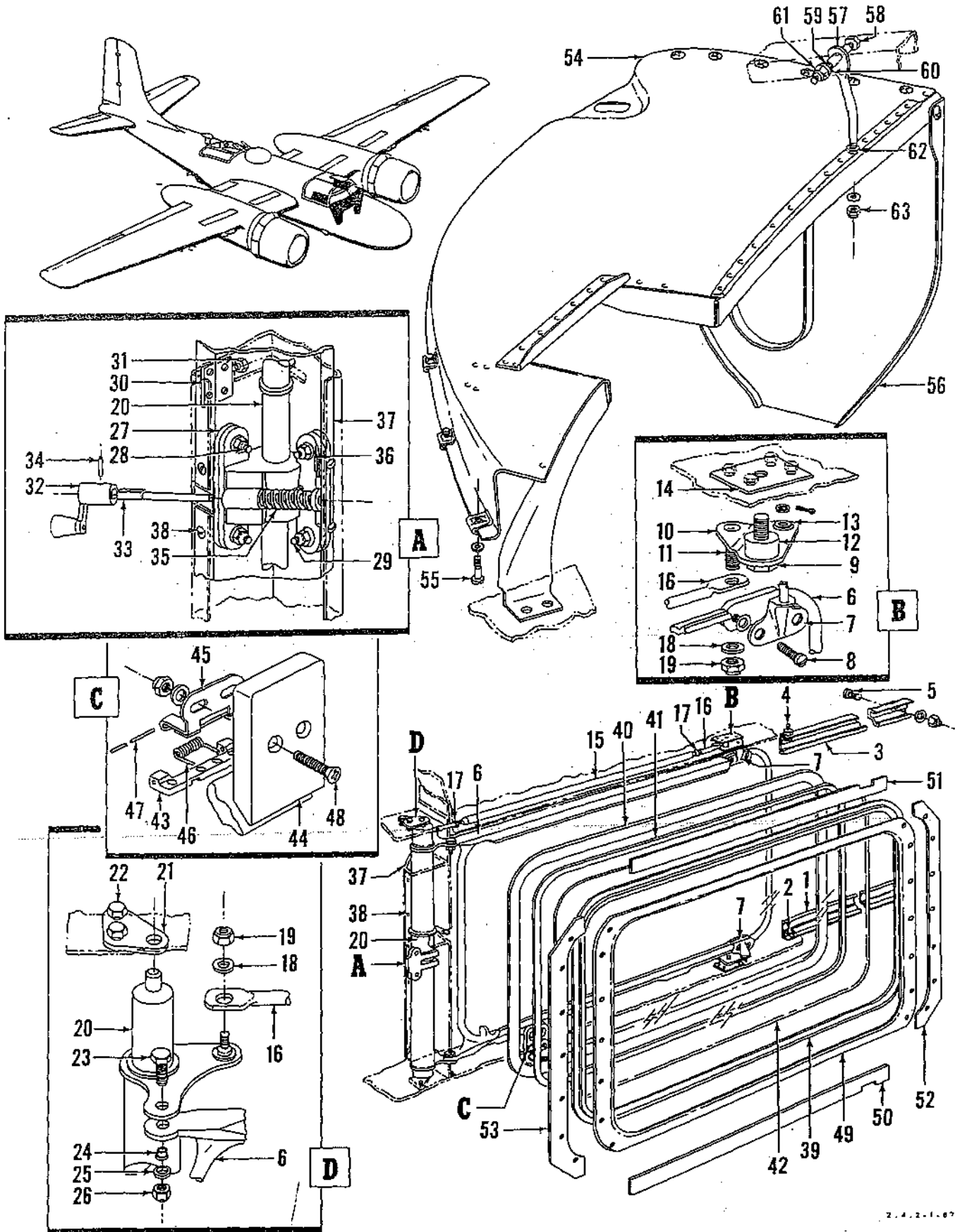


Figure 68. Pilot's Sliding Window and Instrument Panel Shield

FIGURE & INDEX NO.	PART NO.	DESCRIPTION							UNITS PER ASSY	USABLE ON CODE
		1	2	3	4	5	6	7		
68-		PILOT'S SLIDING WINDOW AND INSTRUMENT PANEL SHIELD								
-1	5153145	WINDOW INSTL, Pilot enclosure sliding (see Figure 67)							Ref	A
	5153145-18	TRACK ASSY, Pilot enclosure sliding window lower LH							1	A
	5153145-19	TRACK ASSY, Pilot enclosure sliding window lower RH							1	A
		(ATTACHING PARTS)								
-2	AN520-10-7	SCREW							4	A
	AN960D10	WASHER							4	A
	AN365-1032	NUT							4	A
		-----*								
-3	5153145-20	TRACK ASSY, Pilot enclosure sliding window upper LH							1	A
	5153145-21	TRACK ASSY, Pilot enclosure sliding window upper RH							1	A
		(ATTACHING PARTS)								
-4	AN3-4A	BOLT							1	A
	AN960D10	WASHER							1	A
	AN365-1032	NUT							1	A
-5	AN520-10-7	SCREW							4	A
	AN960D10	WASHER							4	A
	AN365-1032	NUT							4	A
		-----*								
-6	5192491	FRAME, Sliding window support LH							1	A
	5192491-1	FRAME, Sliding window support RH							1	A
-7	2129374	FITTING, Sliding window support frame aft							4	A
		(ATTACHING PARTS)								
-8	AN502-10-10	SCREW							2	A
	AN960D10	WASHER							2	A
	AN960-10	WASHER							1	A
		-----*								
	2192613	BELLCRANK ASSY, Sliding window actuating mechanism aft LH							2	A
	2192613-1	BELLCRANK ASSY, Sliding window actuating mechanism aft RH							2	A
		(ATTACHING PARTS)								
-9	AN4-6A	BOLT (Formerly 132100-4-6A)							2	A
	1026614G4-020	BUSHING, OD bearing							2	A
	AN960-416L	WASHER							2	A
		-----*								
-10	2192613-2	CRANK, LH							1	A
	2192613-3	CRANK, RH							1	A
-11	1192309	STUD							1	A
-12	2062646-508S4	BUSHING							1	A
-13	2062646-3015S	BUSHING							1	A
-14	1192340	SUPPORT, Pilot enclosure sliding window bell crank aft							4	A
-15	2114933-1907	ROD ASSY, Threaded control							4	A
-16	1192277-2	END, Female tie rod 1/4-in. (LH thread)							4	A
	1192277-4	END, Female tie rod 1/4-in. (RH thread)							4	A
-17	AN316-4L	NUT							4	A
	AN316-4R	NUT							4	A
-18	AN960-10	WASHER							8	A
-19	AN365-1032	NUT							8	A
-20	4192802	TUBE ASSY, Sliding window torque LH							1	A
	4192802-1	TUBE ASSY, Sliding window torque RH							1	A
-21	1192317	BEARING, Pilot enclosure sliding window torque tube upper LH							1	A
	1192317-1	BEARING, Pilot enclosure sliding window torque tube upper RH							1	A
		(ATTACHING PARTS)								
-22	AN3-6A	BOLT							2	A
	AN960D10	WASHER							2	A
	AN365-1032	NUT							2	A
		-----*								
-23	AN4-7A	BOLT							4	A
-24	1026614-4-009	BUSHING, OD bearing							4	A
-25	AN960D10	WASHER							4	A
-26	AN365-428	NUT							4	A
-27	1193950	BEARING ASSY, Sliding window torque tube							2	A
-28	1029657P10-16	SCREW							4	A
	AN960D10	WASHER							4	A
	AN365-1032	NUT							4	A
-29	AN507-1032R16	SCREW (Formerly 1087510-10-16)							4	A
	AN960D10	WASHER							4	A
	AN365-1032	NUT							4	A
	1194800	STOP ASSY, Sliding window torque tube							2	A
-30	1194800-2	STOP, Sliding window torque tube							1	A
-31	176000-3507ND000	BOLT, Special							1	A
	AN315-3R	NUT							1	A
-32	331	HANDLE, Crank (RHW)							2	A
-33	1151047	SHAFT, Sliding window gear							2	A
-34	146142-125-022	PIN (Stake in place)							2	A
-35	LUH	GEAR, Boston worm (AHMC)							2	A
-36	146142-125-015	PIN							2	A
-37	5153145-6	STIFFENER, Pilot enclosure sliding window LH							1	A
	5153145-7	STIFFENER, Pilot enclosure sliding window RH							1	A
		(ATTACHING PARTS)								
-38	AN520-10-10	SCREW							12	A
		-----*								
	5192565	WINDOW ASSY, Pilot enclosure sliding LH							1	A
	5192565-1	WINDOW ASSY, Pilot enclosure sliding RH							1	A
-39	5192565-2	FRAME, Pilot enclosure sliding window outer							1	A
-40	5192565-4	FRAME, Pilot enclosure sliding window inner							1	A

Group Assembly Parts List

FIGURE & INDEX NO.	PART NO.	1	2	3	4	5	6	7	DESCRIPTION	UNITS PER ASSY	USABLE ON CODE
65-41	5192565-6								SEAL, Pilot enclosure sliding window frame	1	A
-42	2151623								WINDOW, Pilot enclosure sliding	1	A
-43	1192361								HINGE, Pilot enclosure window handle	1	A
-44	1192327								HANDLE, Pilot enclosure window	2	A
-45	1192362								CLIP, Pilot enclosure sliding window handle hinge	2	A
-46	133509-13								SPRING, Standard hinge	2	A
-47	1000759-120-126								PIN, Hood hinge (stake in place)	2	A
-48	AN507-10R16								SCREW (Formerly 1087510-10-16)	4	A
	AN960-10L								WASHER	4	A
	AN365-1032								NUT	4	A
-49	4192936								SEAL, Pilot enclosure sliding window	2	A
-50	5153145-22								RETAINER, Pilot enclosure sliding window seal lower	2	A
-51	5153145-28								RETAINER, Pilot enclosure sliding window seal upper (used on:5192565)	1	A
	5153145-2								RETAINER, Pilot enclosure sliding window seal upper (used on:5192565-1)	1	A
-52	5153145-24								RETAINER, Pilot enclosure sliding window seal LH (used on:5192565)	1	A
	5153145-26								RETAINER, Pilot enclosure sliding window seal LH (used on:5192565-1)	1	A
-53	5153145-25								RETAINER, Pilot enclosure sliding window seal RH (used on:5192565)	1	A
	5153145-27								RETAINER, Pilot enclosure sliding window seal RH (used on:5192565-1)	1	A
	1114189-8-14								(ATTACHING PARTS) SCREW, Sheet metal 100° recessed flathead	22	A
	A1779-8Z								NUT, Speed (TIN)	22	A
	1114189-10-8								SCREW, Sheet metal 100° recessed flathead	54	A
	A1779-8Z								NUT, Speed (TIN)	54	A
-54	5194593								SHIELD INSTL, Instrument panel (see figures 50 and 57)	Ref	A
	5194593-12								SHIELD ASSY, Instrument panel (ATTACHING PARTS)	1	A
-55	AN530-10-8								SCREW	9	A
	AN960D10								WASHER	9	A
	A1794-10Z1								NUT, Speed (TIN)	9	A
-56	5194593-4								SHIELD, Instrument panel side (ATTACHING PARTS)	1	A
	AN520-10R8								SCREW (Formerly 1027300-10-8)	12	A
	AN960D10								WASHER	12	A
	AN365-1032								NUT	12	A
	AN520-10R10								SCREW (Formerly 1027300-10-10)	1	A
	AN960D10								WASHER	1	A
	AN365-1032								NUT	1	A
-57	1194958								ROD, Glare shield support tie (ATTACHING PARTS)	1	A
-58	AN3-12A								BOLT	1	A
-59	NAS43DD3-22								SPACER (Formerly 117425-3D011)	2	A
-60	AN960D10								WASHER	1	A
-61	AN365-1032								NUT	1	A
-62	AN315-3R								NUT	1	A
	AN960D10								WASHER	1	A
-63	AN365-1032								NUT	1	A
	AN960D10								WASHER	1	A

A USAF 41-39100 thru 41-39199
43-22252 thru 43-22283

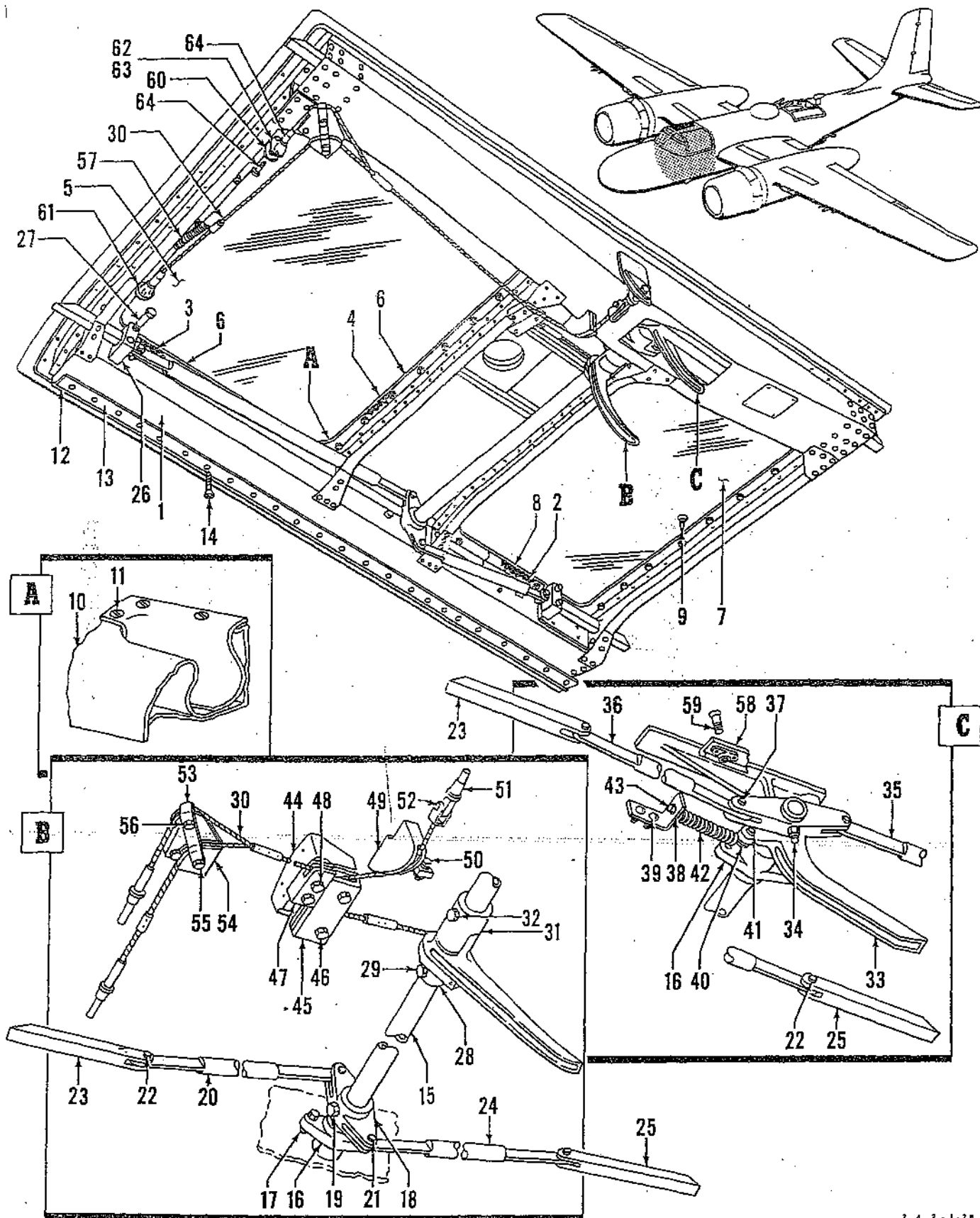


Figure 69. Pilot's Access Door Assembly

Section II
Group Assembly Parts List

T. O. 1B-26B-4

FIGURE & INDEX NO.	PART NO.	1	2	3	4	5	6	7	DESCRIPTION	UNITS PER ASSY	USABLE ON CODE
69-	5153144								DOOR ASSY, Pilot's access (see figure 67)	Ref	A
-1	5153144-132								RIVET ASSY, Pilot access	1	A
-2	5153144-142								STRIP, Hollow bulb synthetic rubber weather (make from 1000822-1514)	2	A
-3	5153144-140								STRIP, Hollow bulb synthetic rubber weather (make from 1000822-1804)	2	A
-4	5153144-138								STRIP, Hollow bulb synthetic rubber weather (make from 1000822-2201)	4	A
-5	4143830								PANEL, Pilot access door forward	1	A
-6	4143831								RETAINER, Pilot access door forward outer	1	A
-7	4143917								PANEL, Pilot access door aft	1	A
-8	4143916								RETAINER, Pilot access door aft outer (ATTACHING PARTS)	1	A
-9	1058047-1								SCREW, Pilot access door shoulder	55	A
	AN960D6								WASHER	55	A
	22TM62								NUT, Self-locking steel thin 6-32 (EN)	55	A
-10	5153144-152								COVER ASSY, Pilot access door handgrip (ATTACHING PARTS)	1	A
-11	111418928-8								SCREW, Recessed 100° flathead	12	A
-12	5153144-160								BULB, Extruded elastic 3/8-in. dia (make from 1159946-4524)	1	A
-13	5153144-162								PLATE, Pilot access door seal retainer (ATTACHING PARTS)	1	A
-14	111418926-8								SCREW, Recessed 100° sheet metal flathead	23	A
-15	5193188								OPERATING MECHANISM INSTL, Pilot access door	1	A
-16	5193188-2								TUBE, Pilot access door operating mechanism torque	1	A
-17	1143537								BEARING, Pilot access door latching mechanism	2	A
-18	AN3-7A								BOLT	4	A
-19	AN365-1032								NUT	4	A
-20	1143535								BELLCRANK, Pilot access door latch	1	A
-21	AN3-17A								BOLT	1	A
-22	AN365-1032								NUT	1	A
-23	2143710-10								TUBE ASSY, Pilot access door latching	1	A
-24	AN393-23								PIN	2	A
-25	AN393-19								PIN	4	A
-26	1143539								WEDGE, Pilot access door locking	2	A
-27	2143710-14								TUBE ASSY, Pilot access door latching	1	A
-28	1203869								WEDGE, Pilot access door locking	2	A
-29	2202297								BLOCK, Pilot access door lock pin guide (ATTACHING PARTS)	2	A
-30	AN4-21A								BOLT	2	A
-31	1143538								COLLAR, Pilot access door emergency handle	1	A
-32	AN3-15A								BOLT	1	A
-33	AN365-1032								NUT	1	A
-34	4202281								CABLE ASSY, Pilot access door jettison	1	A
-35	1143541								CLUTCH, Pilot access door emergency release	1	A
-36	AN3-17A								BOLT	1	A
-37	AN365-1032								NUT	1	A
-38	4143735								HANDLE ASSY, Pilot access door latch	1	A
-39	AN3-17A								BOLT	2	A
-40	AN365-1032								NUT	2	A
-41	2143710-6								TUBE ASSY, Pilot hatch latching	1	A
-42	2143710-2								TUBE ASSY, Pilot hatch latching	1	A
-43	AN393-23								PIN	2	A
-44	1202461								SUPPORT, Pilot access door toggle (ATTACHING PARTS)	1	A
-45	AN520-10-8								SCREW	2	A
-46	AN365-1032								NUT	2	A
-47	1151329								ROD, Pilot access door spring (ATTACHING PARTS)	1	A
-48	AN394-13								PIN	1	A
-49	AN960-10L								WASHER	1	A
-50	1151328								SPRING, Pilot access door	1	A
-51	1151330								BUMPER, Pilot access door	1	A
-52	2202266								SUPPORT, Pilot access door jettison guide block	1	A
-53	2202265								BLOCK, Pilot access door jettison main guide (ATTACHING PARTS)	1	A
-54	AN3-11A								BOLT	2	A
-55	AN365-1032								NUT	2	A
-56	1202264								BLOCK, Pilot access door jettison hinge cable guide (ATTACHING PARTS)	1	A
-57	AN3-7A								BOLT	2	A
-58	AN365-1032								NUT	2	A
-59	2202228								BLOCK, Pilot access door hold pen jettison guide (ATTACHING PARTS)	1	A
-60	AN3-6A								BOLT	2	A
-61	AN365-1032								NUT	2	A

FIGURE & INDEX NO.	PART NO.	DESCRIPTION							UNITS PER ASSY	USABLE ON CODE	
		1	2	3	4	5	6	7			
69-51	1202272								1	A	
-52	AN393-15								1	A	
-53	5193188-10								1	A	
-54	2202277								1	A	
-55	AN3-15A								2	A	
	AN960D10L								2	A	
	AN365-1032								2	A	
-56	AN3-6A								1	A	
	AN960D10L								1	A	
-57	1193936								1	A	
-58	1143990								1	A	
-59	1114189-6-6								18	A	
-60	1202290								1	A	
-61	1202291								1	A	
-62	1202227								2	A	
-63	AN520-10R10								2	A	
	AN960D10								2	A	
	AN365-1032								2	A	
-64	AN3-10A								2	A	
	NAS43HT3-20								2	A	
	AN960D10								2	A	
	AN365-1032								2	A	
		A USAF 41-39100 thru 41-39199									
		43-22252 thru 43-22283									

Section II
Group Assembly Parts List

T.O. 1B-26B-4
FUSELAGE

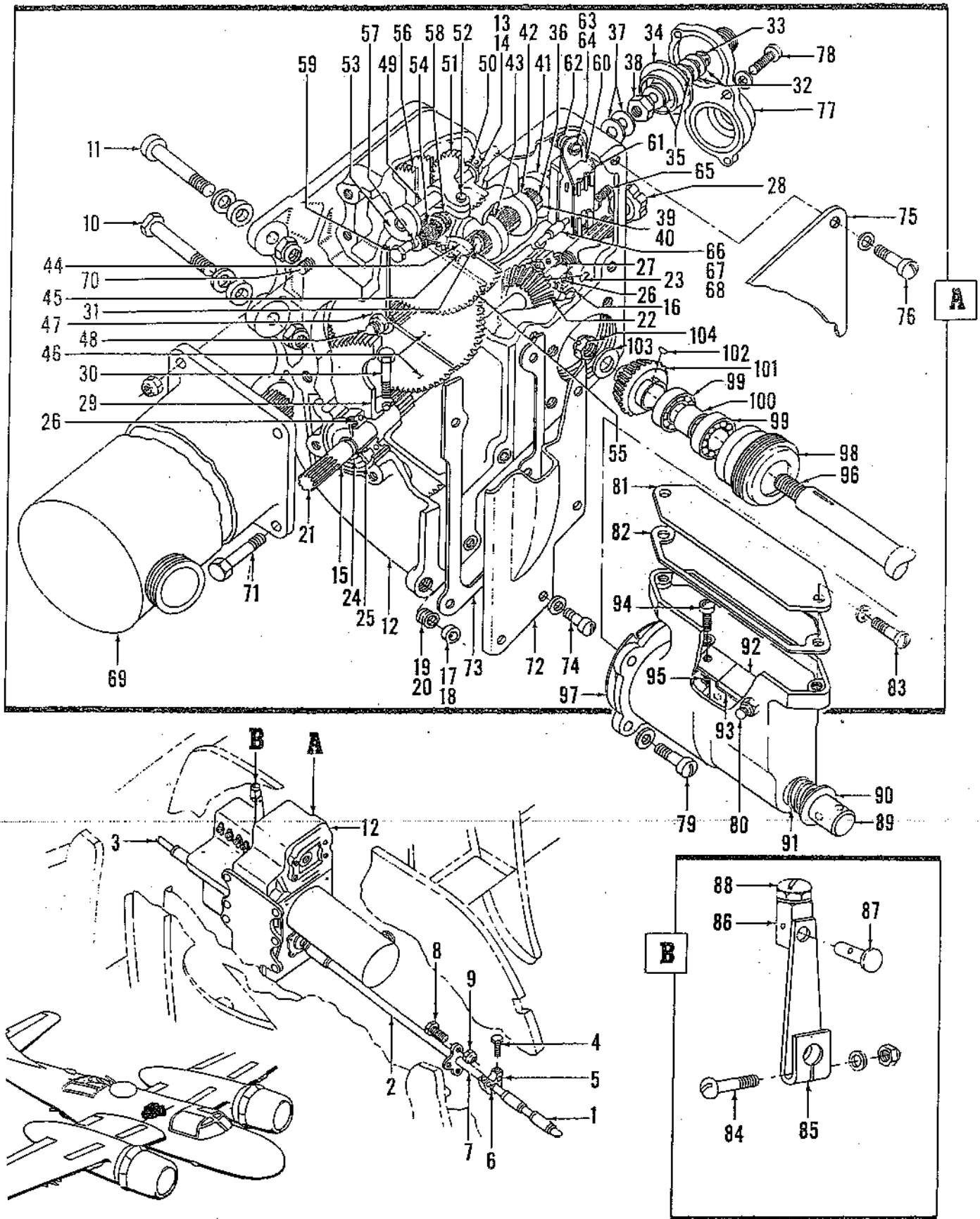


Figure 70. Fuselage Section Flap Operating Mechanism Installation

FIGURE & INDEX NO.	PART NO.	1	2	3	4	5	6	7	DESCRIPTION	UNITS PER ASSY	USABLE ON CODE
70--	5153225	FLAP OPERATING MECHANISM INSTL, Fuselage section							Ref		
		(see figure 40)									
-1	2195033	TUBE ASSY, Flap operating torque wing sta 32 LH							2		
-2	2192061	SHAFT ASSY, Flap operating fuselage section							1		
-3	2129174	TUBE ASSY, Flap operating torque wing sta 32 RH							1		
	2190989	BRACKET ASSY, Flap shaft left bearing							2	1	
		(ATTACHING PARTS)									
-4	AN74-7	BOLT							2		
		*									
-5	2190989-2	BRACKET							1		
-6	KS6	BEARING (Press to fit) (FE)							1		
-7	2195056	DISCONNECT ASSY, Fuselage section drive shaft welded							2		
-8	AN4-6A	BOLT							3		
-9	AN365-428	NUT							3		
	5191329	CASE ASSY, Wing flap actuator (when supply is exhausted							1	A	
		use 5278800)									
	5278800	CASE ASSY, Wing flap actuator							1		
		(ATTACHING PARTS)									
-10	AN5-21A	BOLT							2		
	2033901-12D328	BUSHING							2		
	-008	WASHER							2		
	AN960D516	NUT							2		
	AN365-524	BOLT (Press in place)							2		
-11	1048705-21	BUSHING							2		
	2033901-12D308	WASHER							2		
	-006	NUT							2		
	AN960D516	CASE ASSY, Flap actuator gear empty							1	A	
	AN365-524	CASE ASSY, Flap actuator gear empty							1	A	
	5191330	CASE							1		
-12	5278001	CASE							1		
	5191330-2	BEARING, Oilite (press to fit) (AXD)							1		
	5278001-2	BEARING, Oilite (press to fit) (AXD)							1		
-13	A521-4	SLEEVE, Flap actuator 201 bearing							1		
-14	A851-4	SLEEVE, Flap actuator 201 bearing flanged							1		
-15	1191602	LOCK RING (BMC)							25	A	
-16	1191603	LOCK RING (BMC)							2		
-17	32E21	LOCK RING (BMC)							2		
	RL235B7	ROSAN INSERT (BMC)							25	A	
-18	RL315B9	ROSAN INSERT (BMC)							21		
-19	32E6E	ROSAN INSERT (BMC)							2		
	R2055B7	ROSAN INSERT (BMC)							1	A	
	R3075B9	ROSAN INSERT (BMC)							1	A	
-20	2190958	SHAFT, Flap actuator main							1		
-21	2207191	SHAFT, Flap actuator main							1	A	
	2190962	GEAR							1	A	
-22	AN280-304	KEY							1	A	
-23	1191619	RING, Flap 201 bearing snap							1		
-24	1191726	WASHER, Flap actuator 201 bearing							2		
-25	201KDD	BEARING (FAF)							1	A	
-26	5191329-2	WASHER, Wing flap actuator							1		
-27	5278800-2	WASHER, Wing flap actuator							1	A	
-28	5191329-4	NUT, Wing flap actuator							1		
	5278800-4	NUT, Wing flap actuator							1	A	
-29	4191418	GEAR, Flap main shaft							1		
	4207190	GEAR, Flap main shaft							1	A	
-30	NAS53-15	BOLT							1		
	47B1313-1	BOLT, Flap motor shear torque shaft							1		
		NOTE: If reamed bolt hole is in excess of 0.1945 in. dia, flap motor shear torque shaft bolt, part No. 47B1313-2, and nut, part No. AN310-4, should be used.									
	AN960D10	WASHER							1		
	AN310-3	NUT							1		
-31	2190959	SHAFT, Flap diaphragm drive							2		
-32	AN960-516	WASHER							1	A	
-33	1191620	RING, Flap diaphragm snap							1		
-34	2190949	PLUG, Flap cam shaft							1		
-35	AN960-516L	WASHER							1		
-36	2190960	SHAFT, Flap cam quill							2		
-37	AN960-816	WASHER							1		
-38	AN364-820	NUT							2		
-39	2033900-3D049-008	SPACER							3		
-40	2033900-10D049-025	CAM, Flap rising to takeoff position							1	A	
-41	1191626	CAM, Flap rising to retracted position							1		
-42	1191627	CAM, Flap lowering to takeoff position							1	A	
-43	1191628	CAM, Flap lowering to landing position							1		
-44	1191629	SPACER							1		
-45	116500-8N022	GEAR, Flap intermediate 59 revolution spur							2		
-46	2190963	WASHER							1		
-47	AN960-416	NUT							1		
-48	AN365-428	SHAFT ASSY, Flap indicator drive							1		
-49	2190961	WASHER							1		
-50	AN960-616	GEAR, Flap indicator							1		
-51	2190965-1										

Section II

Group Assembly Parts List

T.O. 1B-26B-4

FIGURE & INDEX NO.	PART NO.	1	2	3	4	5	6	7	DESCRIPTION	UNITS PER ASSY	USABLE ON CODE
70-52	AN501-10-16								SCREW	1	
	AN960-10L								WASHER	1	
	AN365-1032								NUT	1	
-53	10012								RETAINER, Oil (CHI)	1	
-54	1191618								PNION, Flap 7/38 revolution idler	1	
-55	2190963								GEAR, Flap intermediate 59 revolution spur	1	
-56	2190964								GEAR ASSY, Flap 1/10 revolution idler spur	1	
-57	1026614G3-027								SPACER	1	
-58	AN960-516								WASHER	1	
-59	AN3-14								BOLT	1	
	AN960-10L								WASHER	1	
	AN310-3								NUT	1	
-60	RRL2A38								SWITCH (MCS) (two used on 5278800)	4	
-61	1191630								CRADLE, Flap microswitch (two used on 5278800)	4	
-62	1150978								SPRING, Flap microswitch (two used on 5278800)	4	
-63	AN960-10L								WASHER (Two used on 5278800)	4	
-64	AN515-8-20								SCREW (Two used on 5278800)	4	
-65	1191723								SCREW, Flap actuator microswitch	1	
-66	NAS43DD2-20								SPACER (formerly 117425-2D10)	3	
-67	NAS43DD2-8								SPACER (formerly 117425-2D04)	2	
-68	NAS43DD2-46								SPACER (formerly 117425-2D23)	2	
-69	4192899								MOTOR ASSY	1	
									(ATTACHING PARTS)		
-70	AN5-13A								BOLT (Two used on 5278800)	4	
	AN365-524								NUT (Two used on 5278800)	4	
-71	ANSH7A								BOLT	2	
									---*---		
-72	2190952								COVER, Flap gear case inspection	1	
-73	2190953								GASKET, Flap gear case inspection cover	1	
-74	AN502-10-8								SCREW	9	
	AN960D10								WASHER	9	
-75	2190950								COVER ASSY, Wing flap limiting switch	1	
-76	AN501A10-8								SCREW	4	
	AN960D10								WASHER	4	
-77	4191416								CAP, Flap main shaft bearing	1	
-78	AN502-10-12								SCREW	4	
	AN960-10								WASHER	4	
	4191417								HOUSING ASSY	1	A
									(ATTACHING PARTS)		
-79	AN502-10-10								SCREW	4	A
	AN960D10								WASHER	4	A
-80	AN500-6-28								SCREW	1	A
	AN960D6								WASHER	1	A
	AN365-632								NUT	1	A
									---*---		
-81	1191615								COVER ASSY	1	A
-82	1191616								GASKET	1	A
-83	AN500A10-8								SCREW	2	A
	AN960-10L								WASHER	2	A
	1150493								LEVER ASSY	1	A
									(ATTACHING PARTS)		
-84	AN520-10-18								SCREW	1	A
	AN960D10								WASHER	1	A
	AN365-1032								NUT	1	A
									---*---		
-85	1150493-2								LEVER ASSY, Flap indicator	1	A
-86	1150976								BLOCK	1	A
-87	1191724								PIN	1	A
-88	AN520-10-8								SCREW	1	A
	AN315-3R								NUT	1	A
-89	2190954								SMART ASSY	1	A
-90	AN960-816								WASHER	1	A
-91	1191740								SPRING	1	A
-92	RRL2A38								MICROSWITCH (MCS)	1	A
-93	1191630								CRADLE	1	A
-94	AN500A10-12								SCREW	1	A
	AN960-10L								WASHER	1	A
-95	1150978								SPRING	1	A
-96	1191741								SMART	1	A
-97	1191625								LOCK RING	1	A
-98	2190966								BEARING HOUSING	1	A
-99	201KDD								BEARING (FAP)	2	A
-100	2033900-10S065								SPACER	1	A
	-014										
-101	2190962								GEAR, Bevel	1	A
-102	AN280-304								KEY	1	A
-103	AN960-415								WASHER	1	A
-104	AN310-3								NUT	1	A

A USAF 41-39105 thru 41-39246
43-22256 thru 43-22452
43-22468 thru 43-22564

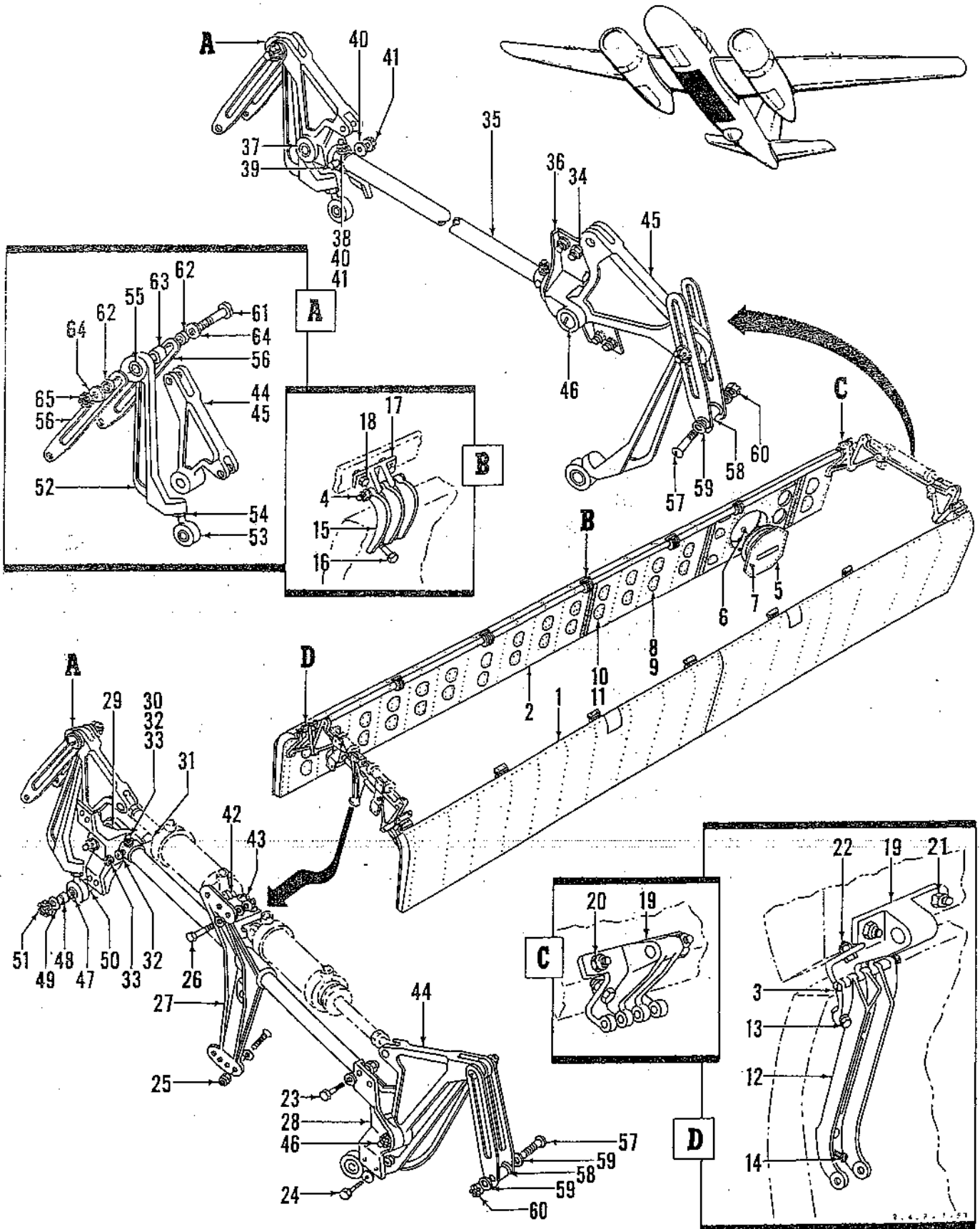


Figure 71. Bomb Bay Doors and Operating Mechanism Installation

Section II

T.O. 1B-26B-4

Group Assembly Parts List

FIGURE & INDEX NO.	PART NO.	DESCRIPTION						UNITS PER ASSY	USABLE ON CODE
		1	2	3	4	5	6		
71-		BOMB BAY DOORS AND OPERATING MECHANISM INSTL							
	5122152	DOOR INSTL, Fuselage bomb bay (see figure 40)						Ref	
-1	5122153	DOOR ASSY, Fuselage bomb bay LH						1	
-2	5122153-1	DOOR ASSY, Fuselage bomb bay RH (ATTACHING PARTS)						1	
-3	AN23-54	BOLT						2	
	AN960D10	WASHER						2	
	AN310-3	NUT						2	
-4	AN23-36	BOLT						5	
	AN960D10	WASHER						5	
	AN310-3	NUT						5	
	5151986	DOOR INSTL, Bomb bay camera RH						1	
-5	5151986-10	DOOR ASSY, Bomb bay camera RH						1	
-6	1029421-10-10	SCREW, Flathead 100° recessed						40	
-7	1029679P10-9	SCREW, Recessed roundhead						48	
-8	5122153-110	COVER (Used on 5122153) (ATTACHING PARTS)						1	
-9	AN515-8R6	SCREW						4	
-10	5122153-96	COVER (30 used on 5122153) (ATTACHING PARTS)						31	
-11	AN515-8R6	SCREW						4	
-12	5127984	HINGE SEGMENT, Bomb bay door end (ATTACHING PARTS)						4	
-13	AN3-6A	BOLT						2	
-14	1029421-416-14	SCREW, Flathead 100° recessed						2	
-15	2126714	HINGE SEGMENT, Bomb bay door center (ATTACHING PARTS)						10	
-16	AN3-6A	BOLT						4	
-17	2126715	HINGE SEGMENT, Fuselage bomb bay door center (ATTACHING PARTS)						10	
-18	AN3-6A	BOLT						2	
	AN960D10	WASHER						2	
	AN365-1032	NUT						2	
-19	4127547	HINGE SEGMENT, Fuselage bomb bay door LH						2	
	4127547-1	HINGE SEGMENT, Fuselage bomb bay door RH (ATTACHING PARTS)						2	
-20	AN4-7A	BOLT (Used at sts 258)						5	
	AN960D416	WASHER						5	
	AN365-428	NUT						5	
-21	AN4-10A	BOLT (Used at sts 89)						2	
	AN960D416	WASHER						2	
	AN365-428	NUT						2	
-22	AN4-7A	BOLT (Used at sts 89)						3	
	AN960D416	WASHER						3	
	AN365-428	NUT						3	
	5122154	OPERATING MECHANISM INSTL, Bomb bay door (see figure 40)						Ref	
	5150317	BRACKET ASSY, Bomb door forward actuating mechanism (ATTACHING PARTS)						1	
-23	AN5-7A	BOLT						4	
	AN960-516	WASHER						8	
	AN365-524	NUT						4	
-24	AN5-10A	BOLT						4	
	AN960-516	WASHER						8	
	AN365-524	NUT						4	
-25	AN509-516R13	SCREW (Formerly 1029421-516-14)						4	
	AN960-516	WASHER						4	
	AN365-524	NUT						4	
-26	AN5-10A	BOLT						3	
	143908-010D-024-091	WASHER						3	
	AN960-516	WASHER						6	
	AN365-524	NUT						3	
-27	5150317-2	BRACKET						1	
-28	4151174	BRACKET, Bomb door actuating mechanism						2	
-29	116500-11A016G	BUSHING						4	
-30	AN386-3-11A	PIN						2	
-31	AN386-12A	PIN						2	
-32	AN975-4	WASHER						4	
-33	AN364-428	NUT						4	
	5150318	BRACKET ASSY, Bomb door aft actuating mechanism (ATTACHING PARTS)						1	
-34	AN5-7A	BOLT						8	
	AN960-516	WASHER						16	
	AN365-524	NUT						8	
-35	5150318-2	BRACKET						1	
-36	4151174	BRACKET, Bomb door actuating mechanism						2	

FIGURE & INDEX NO.	PART NO.	DESCRIPTION							UNITS PER ASSY	USABLE ON CODE
		1	2	3	4	5	6	7		
71-37	116500-11A016G								4	
-38	AN386-3-11A								2	
-39	AN386-3-12A								2	
-40	AN975-4								4	
-41	AN364-428								4	
-42	2150849								2	
43	AN27-30								1	
	AN960-716								1	
	AN320-7								1	
-44	4151129								2	
-45	4151128								2	
-46	AN28-42								1	
	1026614G8-017								2	
	AN960-816								1	
	AN320-8								1	
	4151107								4	
-47	AN26-28								4	
-48	1026614G6-029								4	
-49	AN960-616								4	
-50	AN960-816								16	
-51	AN320-6								4	
-52	4151107-2								4	
-53	2150812								1	
	116500-8A020G								1	
-54	AN316-7R								1	
-55	116500-7A024G								1	
-56	2150824								8	
-57	AN24-29								4	
-58	1026614G4-106								4	
-59	AN960-416								16	
-60	AN320-4								4	
-61	AN25-30								4	
-62	1026614G5-005								8	
-63	1026614G5-024								4	
-64	124682-5S12-062								8	
-65	AN320-5								4	

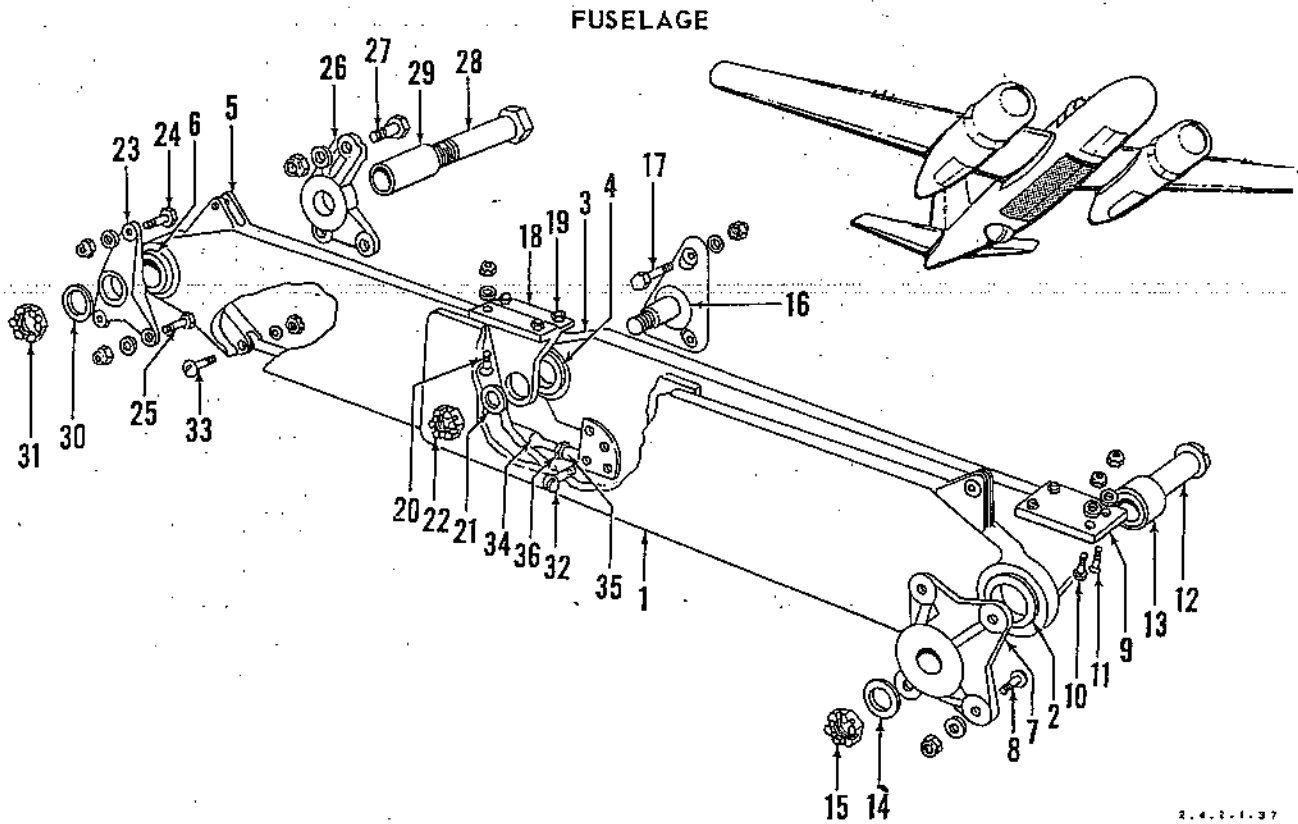


Figure 72. Bomb Bay Spoiler Installation

2.4.1-1.37

Section II
Group Assembly Parts List

T.O. 1B-26B-4

FIGURE & INDEX NO.	PART NO.	DESCRIPTION							UNITS PER ASSY	USABLE ON CODE
		1	2	3	4	5	6	7		
72-	5206253	SPOILER INSTL, Bomb bay (see figure 40)							Ref	
-1	5206338	PLATE ASSY, Bomb bay spoiler LH							1	
-2	5206338-2	PLATE							1	
-3	1206341	BUSHING, Bomb bay spoiler plate							2	
-4	5206336	PLATE ASSY, Bomb bay spoiler center							1	
-5	5206336-2	PLATE							1	
-6	1206341	BUSHING, Bomb bay spoiler plate							2	
-7	5206339	PLATE ASSY, Bomb bay spoiler RH							1	
-8	5206339-2	PLATE							1	
-9	1206341	BUSHING, Bomb bay spoiler plate							1	
-10	4206201	MOUNT, Bomb bay spoiler plate LH (ATTACHING PARTS)							1	
-11	AN24-14A	BOLT							4	
-12	AN960-416	WASHER							4	
-13	AN365-428	NUT							4	
-14	2206373	SUPPORT, Bomb bay spoiler LH (ATTACHING PARTS)							1	
-15	AN3-6A	BOLT							2	
-16	AN960-10	WASHER							2	
-17	AN365-1032	NUT							2	
-18	AN507-1032-10	SCREW							2	
-19	AN960-10	WASHER							2	
-20	AN365-1032	NUT							2	
-21	AN30-46	BOLT							1	
-22	1206420	SPACER, Bomb bay spoiler LH							1	
-23	AN960-1016	WASHER							3	
-24	AN320-10	NUT							1	
-25	2206384	MOUNT, Bomb bay plate center (ATTACHING PARTS)							1	
-26	AN4-7A	BOLT							2	
-27	AN960-416	WASHER							2	
-28	AN365-428	NUT							2	
-29	2206362	SUPPORT, Bomb bay spoiler center (ATTACHING PARTS)							1	
-30	AN3-6A	BOLT							2	
-31	AN960-10	WASHER							2	
-32	AN365-1032	NUT							2	
-33	AN507-1032-10	SCREW							2	
-34	AN960-10	WASHER							2	
-35	AN365-1032	NUT							2	
-36	AN960-1016	WASHER							1	
-37	AN320-10	NUT							1	
-38	4206244	MOUNT, Bomb bay spoiler plate forward RH (ATTACHING PARTS)							1	
-39	AN3-6A	BOLT							1	
-40	AN960-10	WASHER							1	
-41	AN365-1032	NUT							1	
-42	AN3-7A	BOLT							2	
-43	AN960-10	WASHER							2	
-44	AN365-1032	NUT							2	
-45	4206381	MOUNT, Bomb bay spoiler plate aft RH (ATTACHING PARTS)							1	
-46	AN4-7A	BOLT							3	
-47	AN960-416	WASHER							3	
-48	AN365-428	NUT							3	
-49	AN10-43	BOLT							1	
-50	1026421	SPACER, Bomb bay spoiler RH							1	
-51	AN960-1016	WASHER							3	
-52	AN320-10	NUT							1	
-53	2206391	ROD ASSY, Bomb bay spoiler operating (ATTACHING PARTS)							1	
-54	AN23-15	BOLT							1	
-55	AN320-3	NUT							1	
-56	AN23-34	BOLT							1	
-57	AN960-10	WASHER							1	
-58	AN320-3	NUT							1	
-59	2039637-1028	ROD ASSY, Steel tube 1/2-in. OD							1	
-60	RE3F4	END Rod (FAF)							2	
-61	AN316-4R	NUT							2	

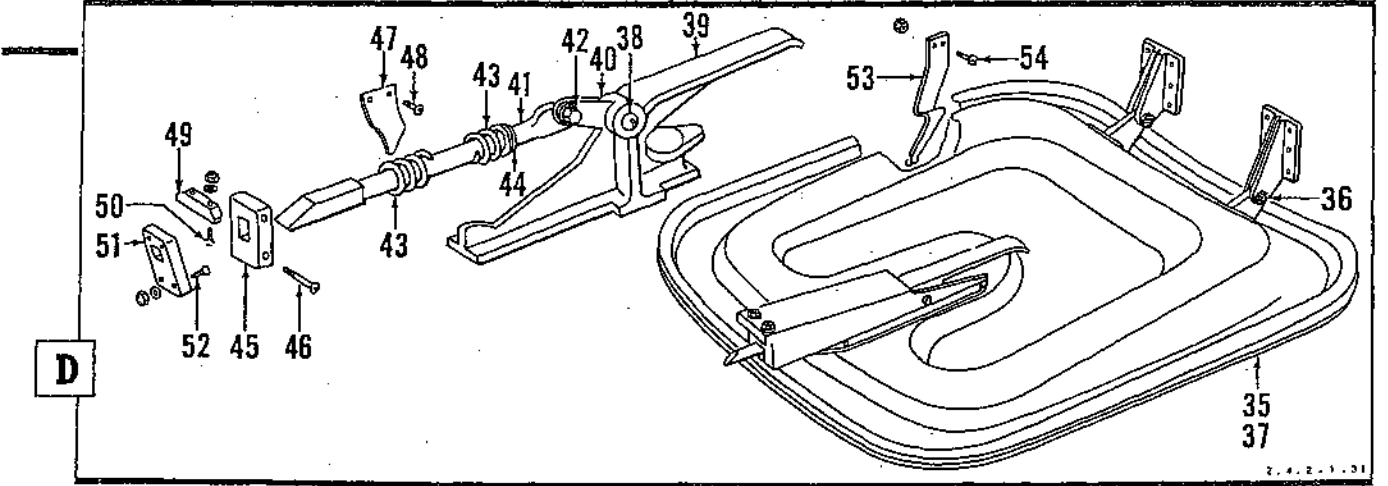
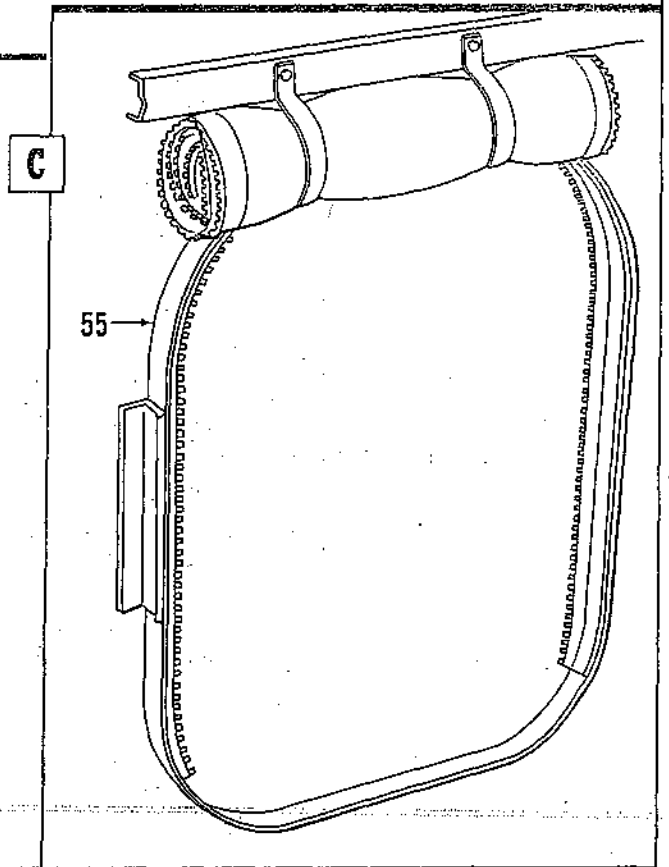
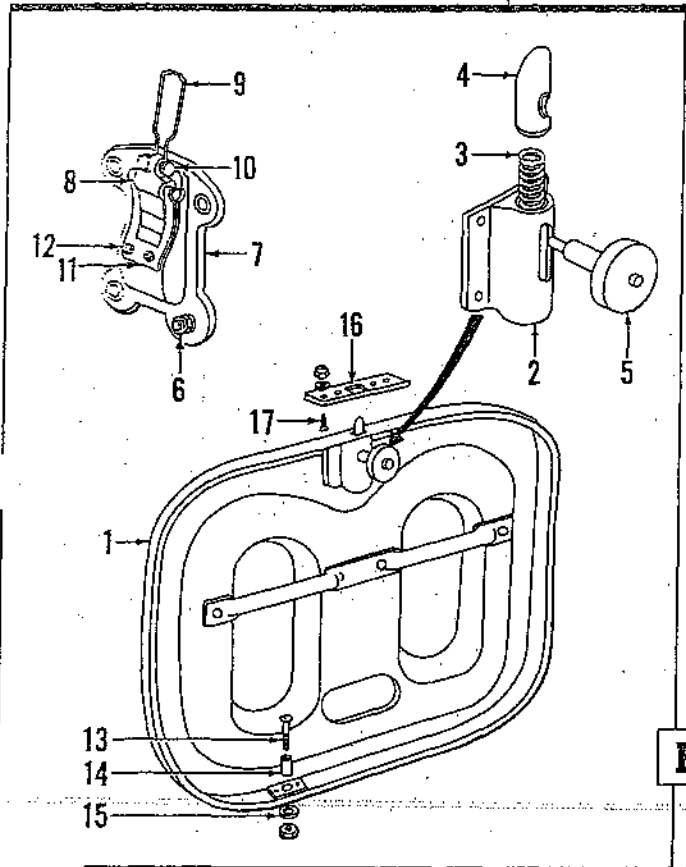
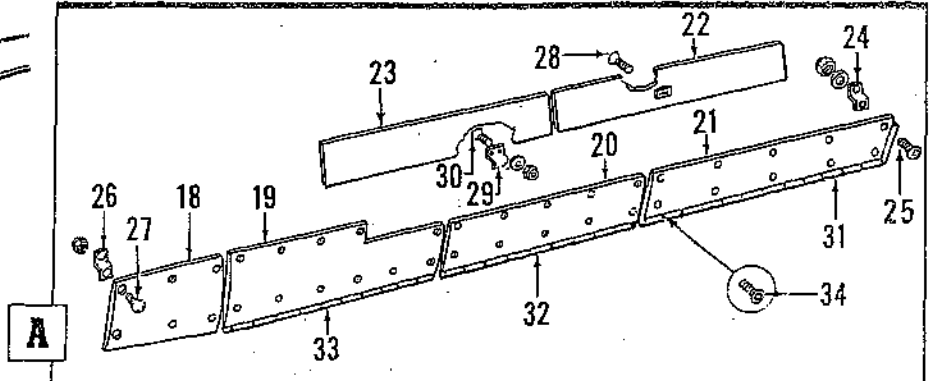
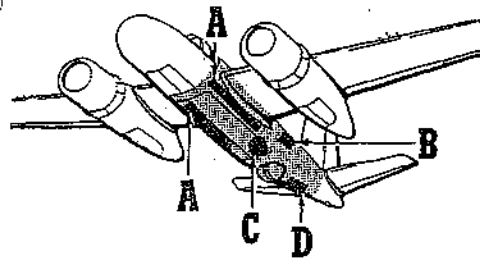


Figure 73. Fuselage Tunnel and Access Camera Doors Installation

Section II
Group Assembly Parts List

T.O. 1B-26B-4

FIGURE & INDEX NO.	PART NO.	DESCRIPTION	UNITS PER ASSY	USABLE ON CODE
73-		FUSELAGE TUNNEL AND ACCESS CAMERA DOORS INSTL		
	5122150	DOOR INSTL, Camera (see figure 40)	Ref	
	5122151	DOOR ASSY, Camera LH	1	A,B
	3277438	DOOR ASSY, Camera complete LH (see figure 74)	1	C
	5122151-1	DOOR ASSY, Camera RH	1	A,B
	3277036	DOOR ASSY, Camera RH (see figure 74)	1	B,C
-1	5122151-10	DOOR ASSY, Camera LH	1	A,B
	5122151-11	DOOR ASSY, Camera RH	1	A,B
	1192273	LATCH ASSY, Camera door	1	A,B
-2	1192272	BARREL, Camera door latch	1	A,B
-3	1192270	SPRING, Camera door latch	1	A,B
-4	1192271	PLUNGER, Camera door latch	1	A,B
-5	1192280	KNOB ASSY, Camera door latch	1	A,B
	2208031	LATCH ASSY, Camera door release	1	C
		(used on 3277036)		
		(ATTACHING PARTS)		
-6	AN507-1032-10	SCREW	4	C
	AN960D10	WASHER	4	C
	AN365-1032	NUT	4	C
		-----*		
-7	4208019	SUPPORT, Camera door release latch	1	C
-8	2207983	HANDLE ASSY, Camera door release latch	1	C
-9	2207985	HOOK, Camera door release latch	1	C
-10	AN393-23	PIN	1	C
-11	2207984	SPRING, Camera door release latch	1	C
		(ATTACHING PARTS)		
-12	AN507-632-6	SCREW	2	C
	AN365-632	NUT	2	C
		-----*		
-13	AN520-10-18	SCREW	2	
-14	5122150-6	SPACER, Camera door	2	
-15	5122150-4	SPACER, Camera door	2	
-16	1151045	PLATE, Camera escutcheon	1	
		(ATTACHING PARTS)		
-17	AN507-1032-6	SCREW	4	
	AN960D10	WASHER	4	
	AN365-1032	NUT	4	
		-----*		
-18	5153162	DOOR INSTL, Fuselage outside tunnel (see figure 40)	Ref	
-19	5153162-8	DOOR, Fuselage outside tunnel LH	1	
-20	5153162-6	DOOR, Fuselage outside tunnel LH	1	
-21	5153162-4	DOOR, Fuselage outside tunnel LH	1	
-22	5153162-2	DOOR, Fuselage outside tunnel LH	1	
-23	5153162-10	DOOR, Fuselage outside tunnel RH	1	
	5153162-12	DOOR, Fuselage outside tunnel RH	1	
		(ATTACHING PARTS)		
	1029421-416-14	SCREW, Flathead 100° recessed	18	
	AN509-416R37	SCREW (Formerly 1029421-416-35)	17	
	1193311	SPACER, Outside tunnel door attaching	17	
	AN960D416	WASHER	13	
	AN365-428	NUT	13	
		-----*		
-24	5153162-54	CLIP, Fuselage outside tunnel door attaching	11	
		(ATTACHING PARTS)		
-25	AN515-8R10	SCREW (Formerly 1027301-8-10)	2	
	AN960D8	WASHER	2	
	AN365-832	NUT	2	
		-----*		
-26	5153162-50	CLIP, Fuselage outside tunnel door attaching	7	
		(ATTACHING PARTS)		
-27	AN515-8R8	SCREW (Formerly 1027301-8-8)	2	
	AN365-832	NUT	2	
		-----*		
-28	1029421-10-8	SCREW, Flathead 100° recessed	40	
-29	1193269	CLIP, Outside tunnel door attaching	20	
		(ATTACHING PARTS)		
-30	1029421-10-6	SCREW, Flathead 100° recessed	2	
	MS20002-4C	WASHER (Formerly 1075388-4A)	2	
	AN364-1032	NUT	2	
		-----*		
-31	5153162-42	FILLET	1	
-32	5153162-44	FILLET	1	
-33	5153162-46	FILLET	1	
		(ATTACHING PARTS)		
-34	1114189Z8-15	SCREW, Flathead 100° recessed sheet metal	34	
		-----*		
-35	5128437	DOOR INSTL, Fuselage access aft (see figure 40)	Ref	
	5128444	DOOR ASSY, Fuselage access aft	1	
		(ATTACHING PARTS)		
-36	AN23-14	BOLT	2	
	1026614-3-012	SPACER, OD bearing	2	
	AN960D10L	WASHER	4	
	AN320-3	NUT	2	
		-----*		
-37	5128444-8	DOOR ASSY, Fuselage access aft	1	

FIGURE & INDEX NO.	PART NO.	DESCRIPTION							UNITS PER ASSY	USABLE ON CODE
		1	2	3	4	5	6	7		
73-	4128197							HANDLE ASSY, Aft fuselage access door (ATTACHING PARTS)	1	
-38	AN520-10-28							SCREW	1	
	1026614-3-106							SPACER, OD bearing	1	
	AN960D10							WASHER	1	
	AN365-1032							NUT	1	
-39	4128197-2							HANDLE	1	
-40	105A							CYLINDER AND CAM ASSY (RHW)	1	
-41	5128444-16							TUBE ASSY, Aft fuselage access door handle (ATTACHING PARTS)	1	
-42	AN3-6							BOLT	1	
	1026614-3-006							SPACER, OD bearing	1	
	124682-3D6-032							WASHER	1	
	AN310-3							NUT	1	
-43	1128915							SPRING, Aft fuselage access door	1	
-44	AN960C816							WASHER	1	
-45	1193858							STOP, Aft fuselage access door (ATTACHING PARTS)	1	
-46	AN520-10-28							SCREW	2	
	AN960D10							WASHER	2	
	AN365-1032							NUT	2	
-47	5128444-12							STOP, Aft fuselage access door (ATTACHING PARTS)	1	
-48	AN520-10-10							SCREW	2	
-49	1193926							FILLER, Aft fuselage access door (ATTACHING PARTS)	1	
-50	AN507-1032-14							SCREW	2	
	AN960D10							WASHER	2	
	AN365-1032							NUT	2	
-51	1150420							STOP, Aft fuselage access door (ATTACHING PARTS)	1	
-52	1029421-10-20							SCREW, Flathead 100° recessed	4	
	AN960D10							WASHER	4	
	AN365-1032							NUT	4	
-53	2207973							SPRING, Aft fuselage access door (ATTACHING PARTS)	1	
-54	AN526-1032-7							SCREW	2	
	AN365-1032							NUT	2	
-55	5203774							DOOR INSTL, Aft bomb bay access (see figure 40)	Ref	
	5203773							DOOR ASSY, Aft bomb bay access	1	
		A USAF 41-39100 thru 41-39599 B USAF 44-34587 thru 44-34617								
		44-34098 thru 44-34586								
		43-22252 thru 43-22751 C USAF 44-34618 thru 44-35197								
		44-35198 thru 44-35996								

Section II
Group Assembly Parts List

T.O. 1B-26B-4

FUSELAGE

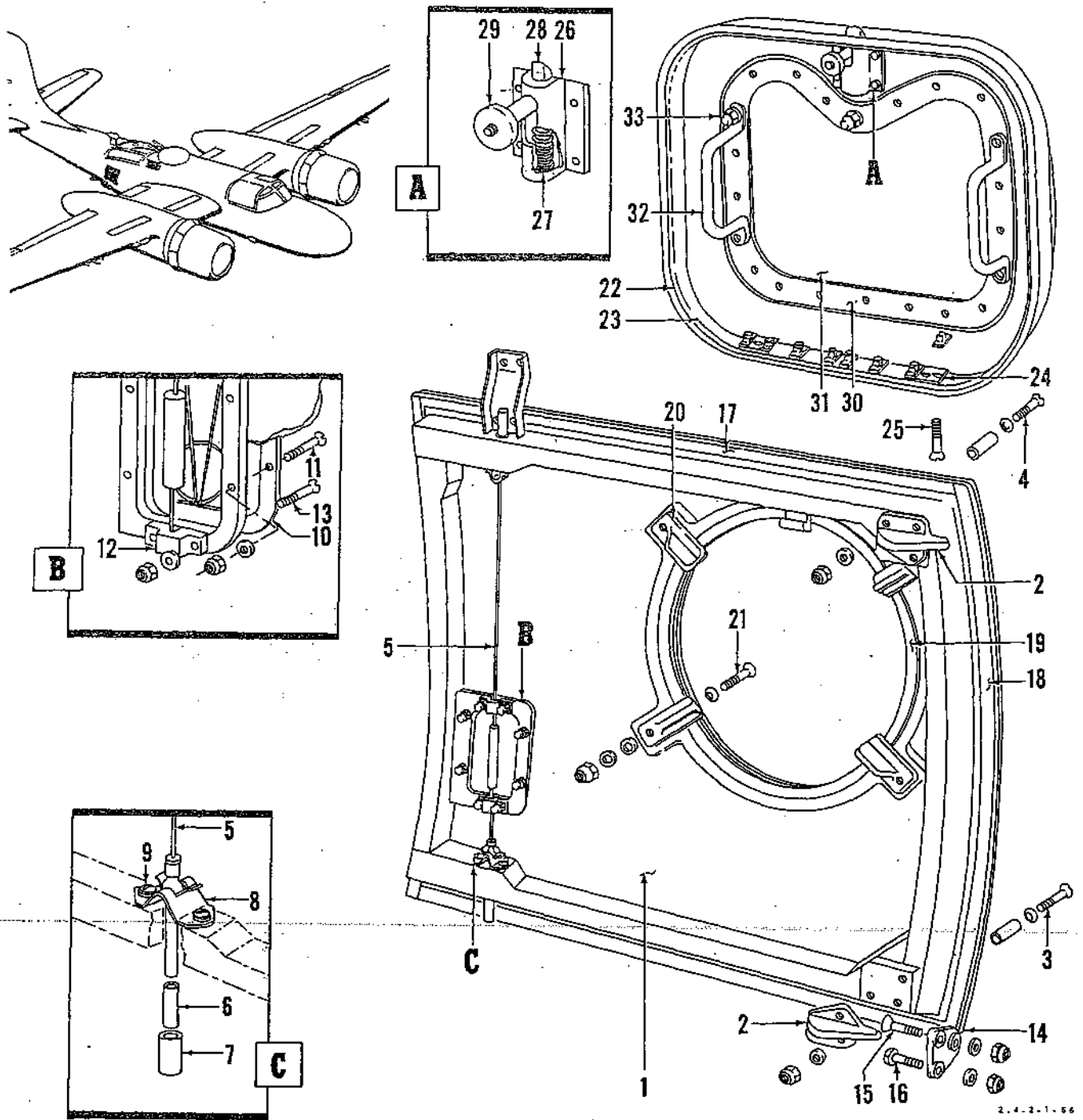


Figure 74. Gunner's Escape and Camera Doors

FIGURE & INDEX NO.	PART NO.	1 2 3 4 5 6 7	DESCRIPTION	UNITS PER ASSY	USABLE ON CODE
74-			GUNNER'S ESCAPE AND CAMERA DOORS		
	5277051		DOOR INSTL, Gunner's side escape (see figure 40)	Ref	A,B
-1	5277008		DOOR ASSY, Gunner's side escape complete	1	A,B
-2	5277066		DOOR ASSY, Gunner's side escape	1	A,B
	2276958		STOP, Gunner's side escape door lower	1	A,B
	2276958-1		STOP, Gunner's side escape door upper	1	A,B
			(ATTACHING PARTS)		

FIGURE & INDEX NO.	PART NO.	1	2	3	4	5	6	7	DESCRIPTION	UNITS PER ASSY	USABLE ON CODE
74-3	AN507-1032-28								SCREW	2	A,B
	A3235-020								WASHER, Countersunk (TIN)	2	A,B
	5277008-10								SPACER, Gunner's side escape door stop screw	2	A,B
	AN960-10								WASHER	2	A,B
	22K1-02								NUT, Cap (EN)	2	A,B
-4	AN507-1032-30								SCREW	1	A,B
	A3235-020								WASHER, Countersunk (TIN)	1	A,B
	5277008-8								SPACER, Gunner's side escape door stop screw	1	A,B
	AN960-10								WASHER	1	A,B
	22K1-02								NUT, Cap (EN)	1	A,B

-5	2277056								CABLE ASSY, Gunner's side escape door emergency release	1	A,B
-6	2033901-6SR312-108								BUSHING, Chromium molybdenum	2	A,B
-7	5277008-2								SPACER, Gunner's side escape door catch	2	A,B
-8	1193344								CATCH, Retainer pin (ATTACHING PARTS)	2	A,B

-9	AN515-4-20								SCREW	4	A,B
	AN960-4								WASHER	8	A,B
	AN365-440								NUT	4	A,B

-10	2277039								RETAINER, Gunner's side escape door release (ATTACHING PARTS)	1	A,B

-11	AN507-832-14								SCREW	4	A,B
	AN960-8								WASHER	4	A,B
	22K1-82								NUT, Cap (EN)	4	A,B

-12	2277057								FAIRLEAD, Gunner's side escape emergency release cable (ATTACHING PARTS)	2	A,B

-13	AN507-832-18								SCREW	2	A,B
	AN960-8								WASHER	2	A,B
	22K1-82								NUT, Cap (EN)	2	A,B

-14	2276960								COLLAR, Gunner's side escape door (ATTACHING PARTS)	2	A,B

-15	1029421-10-12								SCREW, Flathead 100° recessed	1	A,B
	AN960-10								WASHER	1	A,B
	AN365-1032								NUT	1	A,B
-16	NAS221-13								SCREW, (formerly 1029579P10-2)	2	A,B
	AN960-10								WASHER	2	A,B
	AN365-1032								NUT	2	A,B

-17	5277051-2								SEAL, Gunner's side escape door rubber	2	A,B
-18	5277051-4								SEAL, Gunner's side escape door rubber	2	A,B
	5122150								DOOR INSTL, Camera (see figure 73)	Ref	A,B
-19	3277036								DOOR ASSY, Camera RH (see figure 73)	Ref	A,B
	2277055								SEAL, Camera door RH	1	A,B
-20	2279149								LATCH ASSY, Camera door RH (ATTACHING PARTS)	4	A,B

-21	1029421-10-18								SCREW, Flathead 100° recessed	1	A,B
	AN960-10								WASHER	2	A,B
	A3235-010								WASHER, Countersunk (TIN)	1	A,B
	22K1-02								NUT, Cap (EN)	1	A,B

	3277438								DOOR ASSY, Camera complete LH (see figure 73)	Ref	B
	3277437								DOOR ASSY, Camera LH	1	B
-22	3277437-6								SEAL, Extruded weather (make from 1059615-5100)	1	B
-23	3277437-8								STRIP	1	B
-24	2277451								PLATE, Camera door escutcheon LH (ATTACHING PARTS)	2	B

-25	PK79XZ6-6								SCREW, (formerly 1114189Z6-6)	2	B
	A1181-6Z1								NUT, Speed (TIN)	2	B

	1192273								LATCH ASSY, Camera door	1	B
-26	1192272								BARREL, Camera door latch	1	B
-27	1192270								SPRING, Camera door latch	1	B
-28	1192271								PLUNGER, Camera door latch	1	B
-29	1192280								KNOB ASSY, Camera door latch	1	B
-30	4277436								RETAINER, Camera door panel LH	1	B
-31	4277385								PANEL, Camera door LH (ATTACHING PARTS)	1	B

	1029421-10-8								SCREW	18	B
	AN960-10L								WASHER	18	B
	22K1-02								NUT (EN)	18	B

	4277435								SEAL, Camera door LH	1	B
-32	2277386								HANDLE ASSY, Camera door LH (ATTACHING PARTS)	2	B

-33	AN509-10R1U								SCREW, (formerly 1029421-10-11)	2	B
	AN960-10L								WASHER	2	B
	22K1-02								NUT (EN)	2	B

									A USAF 44-34587 thru 44-34617		
									B USAF 44-34618 thru 44-34753		

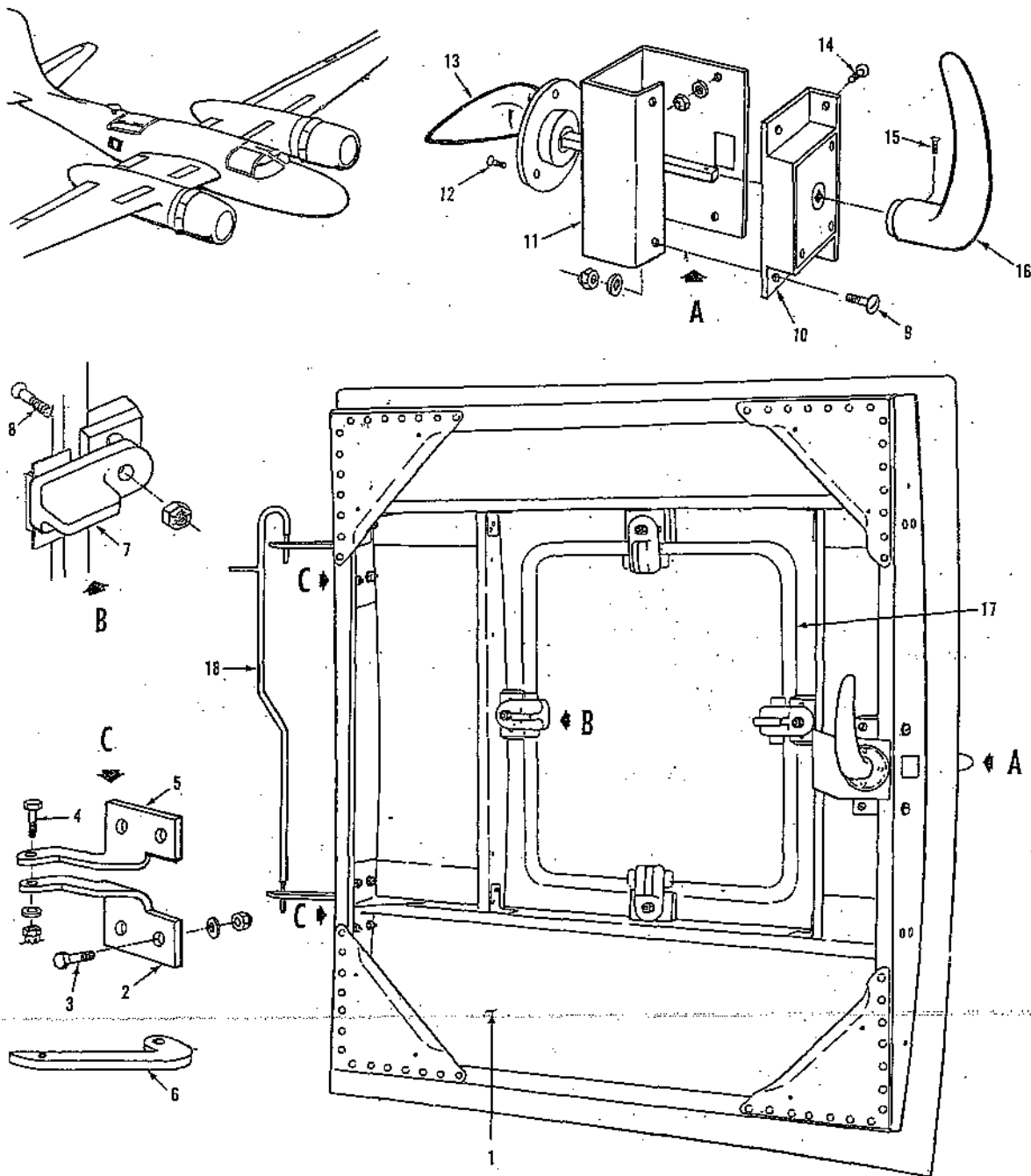


Figure 74A. Gunner's Escape Hatch

FIG & INDEX NO.	PART NO.	DESCRIPTION							UNITS PER ASSY	USABLE ON CODE
		1	2	3	4	5	6	7		
74A-										
-1	540GE126								1	A-K
-2	46B2455-R								1	A-K
	46B2456-R								1	A-K

FIG & INDEX NO.	PART NO.	DESCRIPTION 1 2 3 4 5 6 7	UNITS PER ASSY	USABLE ON CODE
74A-		GUNNER'S ESCAPE HATCH (Cont)		
-3	AN3-5A	BOLT, Hinge Attach	8	A-K
	AN960-10L	WASHER	8	A-K
	AN365-1032	NUT	8	A-K
-4	AN-4DD-7	BOLT, Link Attach	2	A-K
	AN960PD416L	WASHER	2	A-K
	AN310-D4	NUT	2	A-K
	AN380C2-3	COTTER PIN	2	A-K
-5	46B255-L	HINGE HALF, Top Upper	1	A-K
	46B256-L	HINGE HALF, Bottom Upper	1	A-K
-6	46A2458	LINK	2	A-K
-7	46A2461	LATCH ASSY	4	A-K
-8	AN507DD1032R18	SCREW	4	A-K
	AN365-1032	NUT	4	A-K
	AN960-10L	WASHER	4	A-K
	46A2462	SPACER	4	A-K
-9	AN507DD632R8	SCREW	3	A-K
	AN960-6L	WASHER	3	A-K
	AN365-632	NUT	3	A-K
-10	53-1A	LATCH ASSY (Rite Hardware Mfg Co.)	1	A-K
-11	540GB165	BRACKET	1	A-K
-12	AN507DD632R8	SCREW	3	A-K
	AN960-6L	WASHER	3	A-K
	AN365-632	NUT	3	A-K
-13	4-PA	HANDLE, Door Locking (Dayton Mfg Co.)	1	A-K
-14	AN526-1032-9	SCREW	4	A-K
	AN960-10L	WASHER	4	A-K
	AN365-1032	NUT	4	A-K
-15	AN507DD632R8	SCREW	1	A-K
	AN986-D6	WASHER	1	A-K
-16	360B	HANDLE LEVER (Rite Hardware Mfg Co.)	1	A-K
-17	46D2460	WINDOW ASSY	1	A-K
-18	46B2457	PIN, Quick-Release	1	A-K

Section II
Group Assembly Parts List

T.O. 1B-26B-4
FUSELAGE

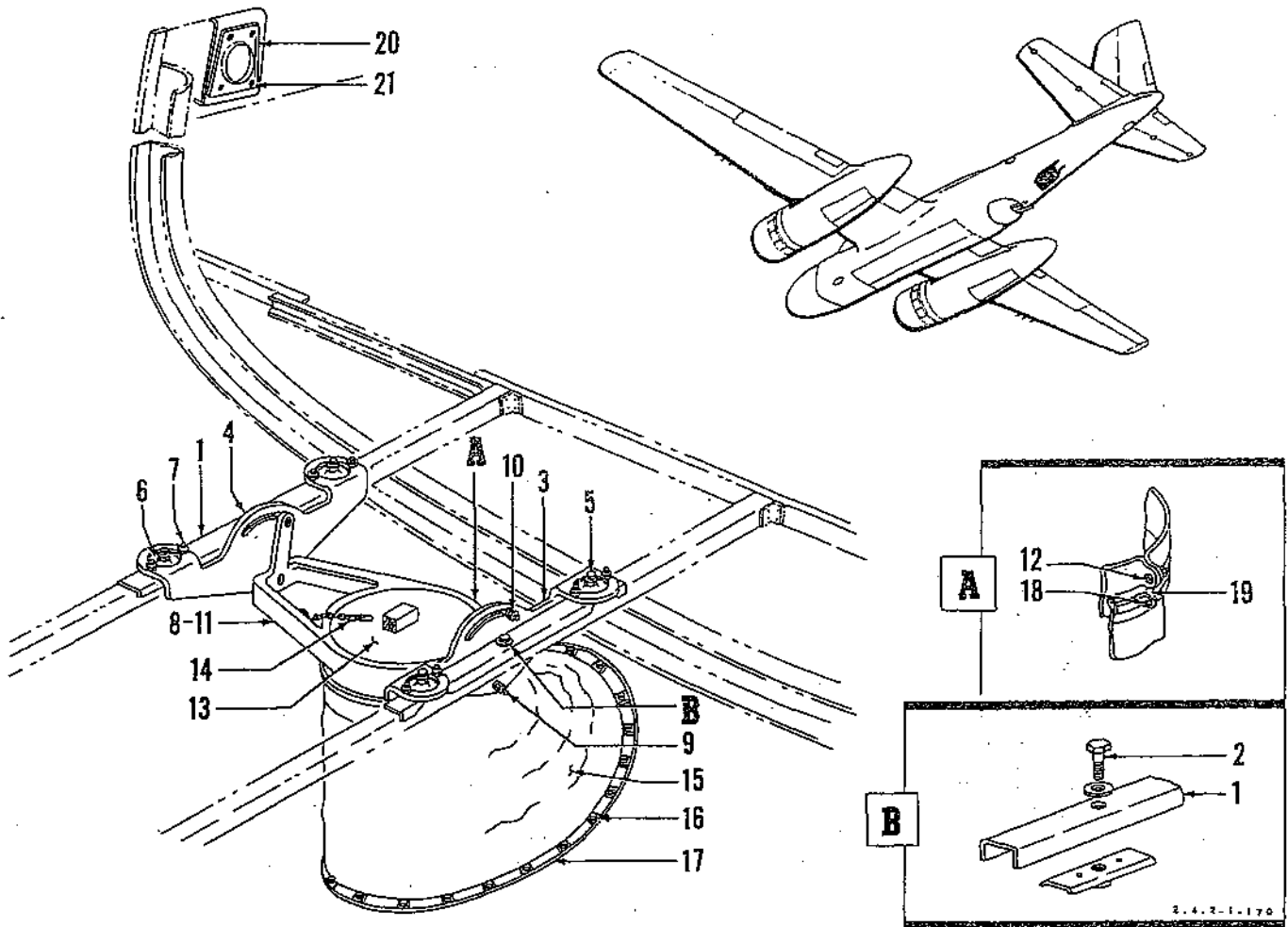


Figure 75. Fuselage Section Photographic Equipment Installation

FIGURE & INDEX NO.	PART NO.	1 2 3 4 5 6 7	DESCRIPTION	UNITS PER ASSY	USABLE ON CODE
75-	5153235		PHOTOGRAPHIC EQUIPMENT INSTL, Fuselage section (see figure 40).....	Ref	
-1	4195262		SLIDE, Camera mount hanger (ATTACHING PARTS)	2	
-2	AN4-6		BOLT	1	
	AN970-4		WASHER	1	
	1194919		NUT ASSY	1	
-3	4195261		HANGER, Camera mount LH	1	
-4	4195261-1		HANGER, Camera mount RH (ATTACHING PARTS)	1	
-5	AN4-11		BOLT	4	
	AN365-428		NUT	4	
-6	150PD6		MOUNT, Shock (LO) (ATTACHING PARTS)	4	
-7	AN515-8-10		SCREW	2	
	AN365-832		NUT	2	
-8	5195476		SUPPORT ASSY, Camera mount (ATTACHING PARTS)	1	
-9	AN310-4		NUT	2	
	AN960D416		WASHER	2	
-10	AN365-428		NUT	2	
	AN970-4		WASHER	2	
-11	5195476-2		SUPPORT, Camera mount	1	
-12	AN520-10R14		SCREW	1	
	AN365-1032		NUT	1	

FIGURE & INDEX NO.	PART NO.	1 2 3 4 5 6 7	DESCRIPTION	UNITS PER ASSY	USABLE ON CODE
75-13	2204190		PLUG ASSY, Camera opening	1	
-14	2T4771		CHAIN, Safety (8 in. long) (UH)	1	
	5195484		BOOT INSTL, Camera	1	
-15	5195484-10		BOOT ASSY, Camera	1	
			(ATTACHING PARTS)		
-16	AN530-8-10		SCREW	26	
	A1787-8Z		NUT, Speed (TIN)	26	
-17	5195484-4		RETAINER, Camera boot	1	
-18	AN530-10-12		SCREW	1	
-19	1159934-706		CLAMP ASSY	1	
			--- * ---		
-20	4195291		SUPPORT INSTL, Camera motor mount	1	
	42A3524		PLATE, Camera motor mount support	1	
			(ATTACHING PARTS)		
-21	AN520-10R10		SCREW	4	
	AN365-1032		NUT	4	
			--- * ---		

FUSELAGE

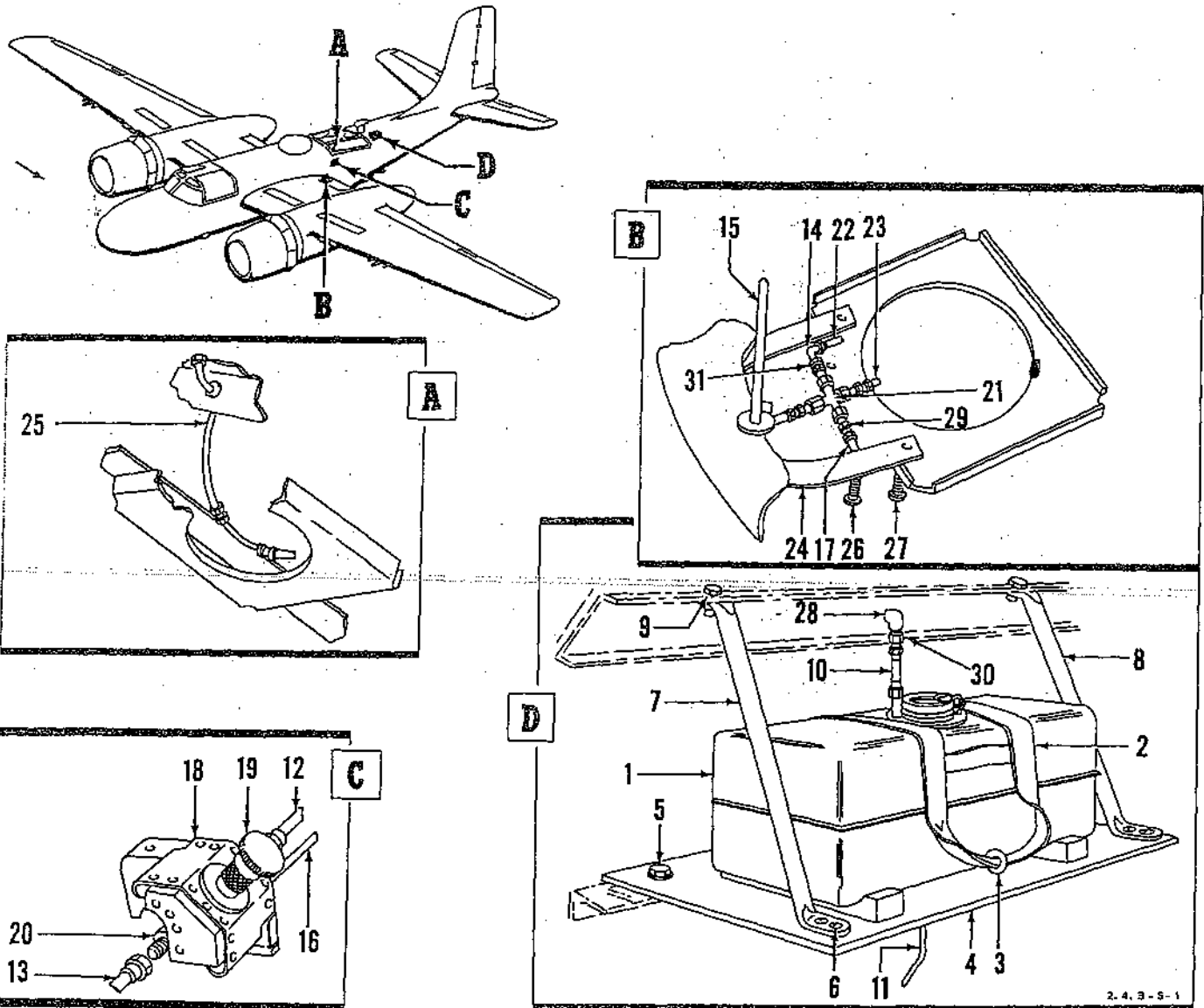


Figure 76. Sighting Station Periscope Anti-icing Fluid Tank and Support Installation

Group Assembly Parts List

FIGURE & INDEX NO.	PART NO.	1	2	3	4	5	6	7	DESCRIPTION	UNITS PER ASSY	USABLE ON CODE
76-	5153239								ICE ELIMINATION EQUIPMENT INSTL, Fuselage section.....	1	
	5275757								TANK AND SUPPORT INSTL, Sighting station periscope anti-icing fluid.....	1	A
	5120209								TANK AND SUPPORT INSTL, Sighting station periscope anti-icing fluid.....	1	B
-1	5195534								TANK ASSY, Sighting station periscope anti-icing fluid.....	1	
	1194973								SPRING, Anti-icing fluid tank cap retaining.....	1	
	2195129								CAP ASSY, Anti-icing fluid tank.....	1	
	1111908-116-128-094								GASKET, External seal ring neoprene.....	1	
-2	4195328								STRAP ASSY, Sighting station periscope anti-icing fluid tank retaining (ATTACHING PARTS).....	1	
	AN365-428								NUT.....	2	
	AN960D416								WASHER.....	2	
	AN316-4R								NUT.....	2	
-3	132942-1								EYE, Baggage strap attaching.....	2	
-4	4275576								BASE ASSY, Sighting station periscope anti-icing tank.....	1	A
	5195560								BASE ASSY, Sighting station periscope anti-icing tank (ATTACHING PARTS).....	1	B
-5	AN3-6A								BOLT.....	3	A
	AN970-3								WASHER.....	3	A
-6	AN520-10-14								SCREW.....	4	A
	AN960-10								WASHER.....	4	A
	AN365-1032								NUT.....	4	A
	AN520-10-10								SCREW.....	4	B
	AN970-3								WASHER.....	4	B
	AN960D10								WASHER.....	4	B
	AN365-1032								NUT.....	4	B
-7	2275578								SUPPORT ASSY, Sighting station periscope anti-icing tank forward.....	1	A
-8	2275579								SUPPORT ASSY, Sighting station periscope anti-icing tank aft (ATTACHING PARTS).....	1	A
-9	AN3-5A								BOLT.....	2	A
	AN960-10								WASHER.....	2	A
	AN365-1032								NUT.....	2	A
-10	5195446-78								LINE ASSY, Anti-icing fluid tank to outlet flange vent.....	1	
-11	5195446-66								LINE ASSY, Fluid tank to union at station 300 supply.....	1	
-12	5195446-68								LINE ASSY, Union at station 300 to primer pump supply.....	1	
-13	5195446-74								LINE ASSY, Primer pump to elbow pressure.....	1	
-14	AN833-3D								ELBOW.....	1	
-15	5198446-76								LINE ASSY, Elbow to lower sight outlet pressure.....	1	
-16	5195446-72								LINE ASSY, Primer pump to union pressure.....	1	
-17	5195446-70								LINE ASSY, Union to upper sight outlet pressure.....	1	
	5195474								ANTI-ICING EQUIPMENT INSTL, Sighting station.....	1	
-18	5195593								SUPPORT ASSY, Periscopic sight anti-icing fluid pump.....	1	
-19	401-2A								PUMP, Primer (PA).....	1	
-20	AN816-3D								NIPPLE.....	2	
-21	AN827-3D								CROSS.....	1	
-22	4195311-2								TUBE ASSY, Sighting station anti-icing jet cross to lower ring.....	2	
-23	4195311-4								TUBE ASSY, Sighting station anti-icing jet cross to lower glass.....	1	
-24	5195515								FAIRING, Sighting station anti-icing equipment.....	1	
-25	4195311-6								TUBE ASSY, Sighting station, union to upper glass.....	1	
-26	AN530-10-14								SCREW.....	2	
-27	1114189-28-6								SCREW, Sheet metal 100 recessed flat head.....	5	
-28	AN822-3D								ELBOW.....	1	
-29	AN815-3D								UNION.....	3	
-30	AN816-2D								NIPPLE.....	2	
-31	AN924-3D								NUT.....	1	

A USAF 41-39100 thru 43-22751
 B USAF 41-34098 thru 44-36797

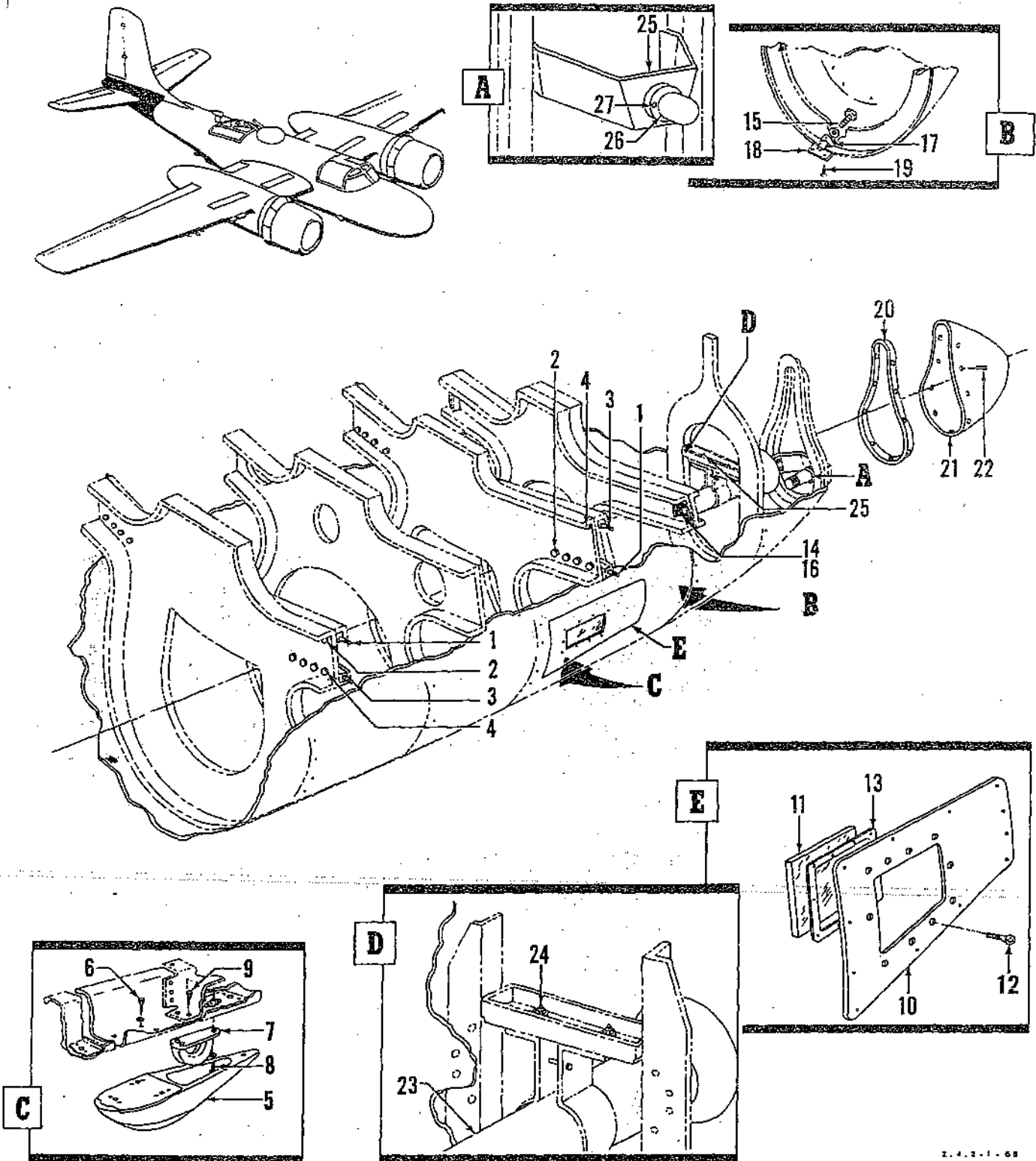


Figure 77. Fuselage Aft Section Tail Cone and Structure Assembly

2.4.2-1-68

Section II

T.O. 1B-26B-4

Group Assembly Parts List

FIGURE & INDEX NO.	PART NO.	DESCRIPTION							UNITS PER ASSY	USABLE ON CODE
		1	2	3	4	5	6	7		
77-		FUSELAGE AFT SECTION, TAIL CONE AND STRUCTURE ASSY								
	5153178	STRUCTURE ASSY, Fuselage aft section (see figure 40)							Ref	
	5157793	FRAME ASSY, Fuselage sta 447							1	
	5157795	FRAME ASSY, Fuselage sta 474							1	
-1	2157787	STUD, Horizontal stabilizer attaching (sta 447 upper and sta 474 lower)							2	
		(ATTACHING PARTS)								
-2	AN173-26	BOLT							4	
	AN960D616	WASHER							4	
	AN365-624	NUT							4	
		- - - * - - -								
-3	2157788	STUD, Horizontal stabilizer shear attaching (sta 447 lower and sta 474 upper)							2	
		(ATTACHING PARTS)								
-4	AN173-26	BOLT							4	
	AN960D616	WASHER							4	
	AN365-624	NUT							4	
		- - - * - - -								
	5157794	FRAME ASSY, Fuselage sta 450							1	
	5157844	FRAME ASSY, Fuselage sta 497							1	
	5127942	TAIL SKID INSTL							1	
-5	5157457	SKID ASSY, Tail							1	
		(ATTACHING PARTS)								
-6	AN4-6A	BOLT							3	
	AN960-416	WASHER							3	
		- - - * - - -								
-7	2155222	FITTING, Fuselage tail tie down							1	
		(ATTACHING PARTS)								
-8	AN4-10A	BOLT							1	
	AN960-416	WASHER							1	
-9	AN5-7	BOLT							2	
	AN960-516	WASHER							2	
	AN310-5	NUT							2	
		- - - * - - -								
	5153179	PLATING INSTL, Fuselage aft section							1	
	4204131	DOOR ASSY, Inspection LH							1	
	4204131-1	DOOR ASSY, Inspection RH							1	
-10	5204033	DOOR, Fuselage aft section inspection LH							1	
	5204033-1	DOOR, Fuselage aft section inspection RH							1	
-11	2204034	WINDOW, Fuselage aft section inspection door							1	
		(ATTACHING PARTS)								
-12	114189Z6-8	SCREW, Sheet metal 100° recessed flathead							10	
	A1181M1	NUT, Speed (TIN)							10	
		- - - * - - -								
-13	2204135	GASKET, Fuselage aft section inspection window							1	
	5122172	TAIL CONE INSTL, Fuselage complete (see figure 40)							Ref	
	5122173	CONE ASSY, Fuselage tail							1	
		(ATTACHING PARTS)								
-14	AN3-23A	BOLT							3	
	AN960D10	WASHER							3	
-15	AN3-21A	BOLT							1	
	AN960D10	WASHER							1	
		- - - * - - -								
-16	2126787-4	SPACER, Tail cone attachment							3	
-17	1127766	SPACER, Tail cone lower							1	
-18	5122173-50	COVER ASSY, Fuselage tail cone access lower							1	
		(ATTACHING PARTS)								
-19	1114189-8-6	SCREW, Sheet metal 100° recessed flathead							2	
	A6162-82Z	NUT, Speed (TIN)							2	
		- - - * - - -								
-20	5122173-12	SEAL, Fuselage tail cone shield rubber							1	
-21	5152113	SHIELD, Bomb signal light							1	
		(ATTACHING PARTS)								
-22	1114189Z8-10	SCREW, Sheet metal 100° recessed flathead							11	
	A3135	WASHER (TIN)							11	
	A1789-8Z1	NUT, Speed (TIN)							11	
		- - - * - - -								
-23	5122174	ELECTRICAL INSTL, Fuselage tail cone							1	
	No Number	LAMP ASSY, Signal type E-1 (U.S. Army Spec 94-32306) (GFP)							1	
		(ATTACHING PARTS)								
-24	AN520-10-8	SCREW							2	
	AN960D10	WASHER							2	
	AN365-1032	NUT							2	
		- - - * - - -								
-25	4123619	BRACKET, Tail cone position light							1	
-26	AN3092-2	LIGHT ASSY							1	
		(ATTACHING PARTS)								
-27	AN505-4-7	SCREW							2	
	AN960D4	WASHER							2	
	AN365-440	NUT							2	
		- - - * - - -								

FUSELAGE

Group Assembly Parts List

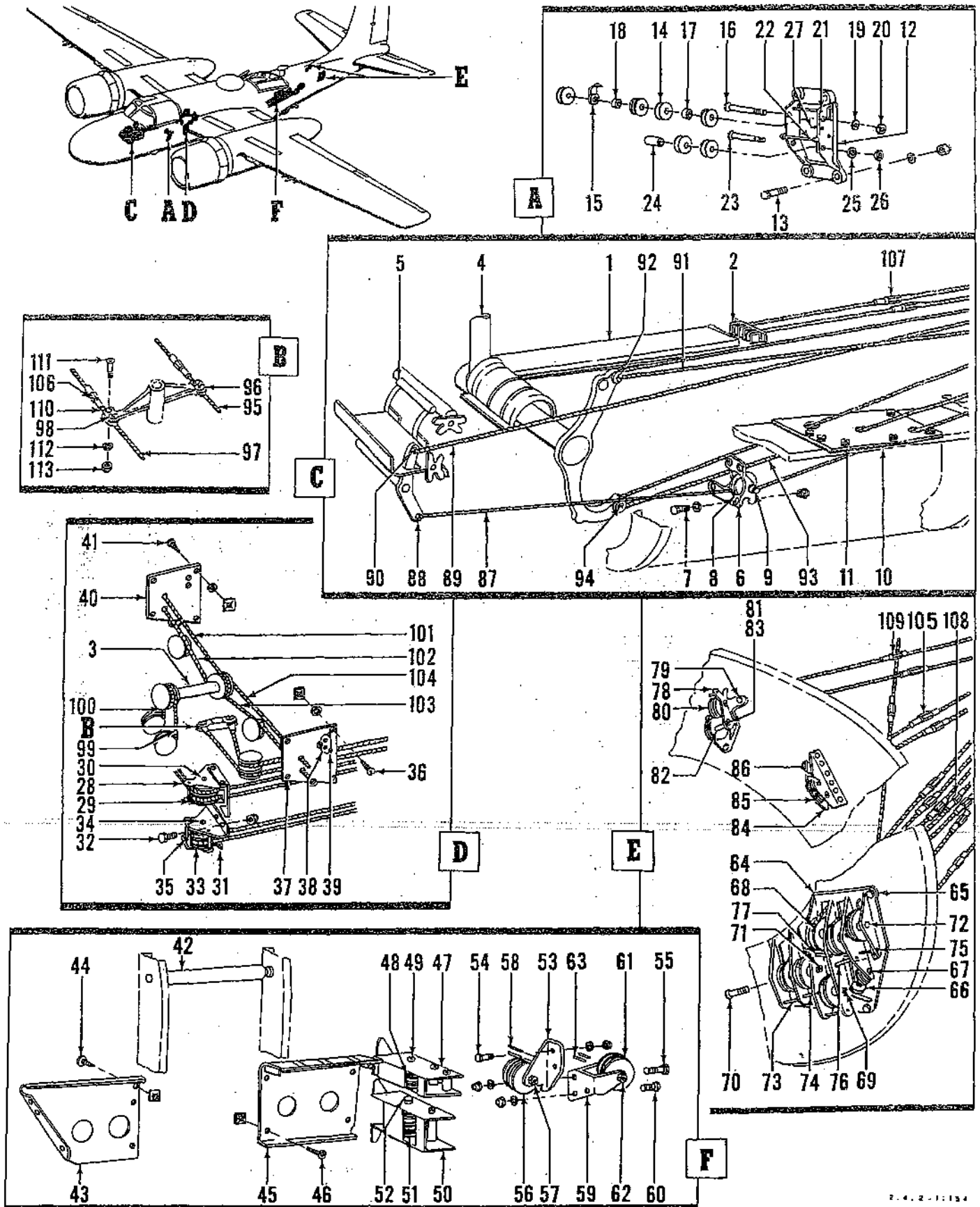


Figure 78. Fuselage Section Flight Controls Installation

Section II
Group Assembly Parts List

T.O. 1B-26B-4

FIGURE & INDEX NO.	PART NO.	1 2 3 4 5 6 7	DESCRIPTION	UNITS PER ASSY	USABLE ON CODE
78-	5153214		FLIGHT CONTROLS INSTL, Fuselage section (see figure 40).....	Ref	
-1	5191929		CABLE GUARD INSTL, Aileron sta 49 to 75 (see figure 79).....	1	
-2	5150377		FLIGHT CONTROL INSTL, Aileron fuselage sta 74 (see figure 79).....	1	
-3	5191005		TORQUE TUBE AND CONTROL LOCK INSTL, Aileron (see figure 79).....	1	
-4	5122215		CONTROL COLUMN INSTL, Pilot's (see figure 80).....	1	
-5	5153219		RUDDER PEDAL AND BRAKE INSTL, Pilot's (see figure 81).....	1	
	4123763		FLIGHT CONTROL INSTL, Fuselage sta 49.....	1	
-6	4123746		BRACKET (ATTACHING PARTS).....	1	
-7	AN3-6A		BOLT.....	4	
	AN960D10		WASHER.....	4	
	AN365-1032		NUT.....	4	
-8	AN210-4A		PULLEY.....	1	
-9	AN24-25		BOLT.....	1	
	AN960D10		WASHER.....	1	
	AN320-4		NUT.....	1	
	4154140		CABLE SEAL INSTL, Fuselage sta 70.....	1	
-10	2155001		SEAL (ATTACHING PARTS).....	1	
-11	AN530-8-10		SCREW.....	6	
	AN960D8		WASHER.....	6	
	5150046		FLIGHT CONTROL INSTL, Fuselage sta 88.....	1	
-12	5150048		BRACKET (ATTACHING PARTS).....	1	
-13	AN3-10A		BOLT.....	4	
	AN960D10		WASHER.....	4	
	AN365-1032		NUT.....	4	
-14	AN210-4A		PULLEY.....	6	
-15	1151315		GUARD.....	1	
-16	AN24-58		BOLT.....	1	
-17	NAS43DD4-14		SPACER (Formerly 117425-4D007).....	1	
-18	NAS43DD4-16		SPACER (Formerly 117425-4D008).....	1	
-19	AN960D416		WASHER.....	1	
-20	AN320-4		NUT.....	1	
-21	NAS427K52		PIN (Formerly 143358-308).....	1	
-22	NAS427K16		PIN (Formerly 143358-100).....	1	
-23	AN24-54		BOLT.....	1	
-24	NAS43DD4-52		SPACER (Formerly 117425-4D031).....	1	
-25	AN960D416		WASHER.....	1	
-26	AN320-4		NUT.....	1	
-27	NAS427K24		PIN (Formerly 143358-116).....	2	
	5150053		FLIGHT CONTROL INSTL, Fuselage sta 105.....	1	
-28	2129322		BRACKET ASSY.....	1	
-29	AN210-2A		PULLEY.....	2	
-30	AN23-16		BOLT.....	1	
	AN960D10		WASHER.....	1	
	AN320-3		NUT.....	1	
-31	2129323		BRACKET ASSY (ATTACHING PARTS).....	1	
-32	AN3-7A		BOLT.....	2	
	AN365-1032		NUT.....	2	
-33	AN210-2A		PULLEY.....	2	
-34	AN23-16		BOLT.....	1	
	AN960D10		WASHER.....	1	
	AN320-3		NUT.....	1	
-35	NAS427K14		PIN (Formerly 143358-028A).....	2	
	5196708		CABLE SEAL INSTL, Fuselage towing.....	1	
	5196712		CABLE SEAL ASSY, Fuselage towing LH (ATTACHING PARTS).....	1	
-36	AN530-8-16		SCREW.....	5	
	AN960D8		WASHER.....	5	
	A1778-8Z1		NUT (TIN).....	5	
-37	5196712-2		SEAL.....	1	
-38	2155000		SEAL (ATTACHING PARTS).....	1	
-39	AN530-8-8		SCREW.....	3	
	AN960D8		WASHER.....	3	
	A1778-8Z1		NUT (TIN).....	3	
-40	5196709		CABLE SEAL ASSY, Fuselage to wing RH (ATTACHING PARTS).....	1	
-41	AN530-8-16		SCREW.....	5	
	AN960D10		WASHER.....	5	
	A1778-8Z1		NUT (TIN).....	5	
-42	5157662		CABLE GUARD INSTL, Fuselage sta 240 to 298.....	1	
	5152237		GUARD ASSY, Camera window cable.....	1	
-43	5157662-10		GUARD (ATTACHING PARTS).....	1	

FIGURE & INDEX NO.	PART NO.	1	2	3	4	5	6	7	DESCRIPTION	UNITS PER ASSY	USABLE ON CODE
78-44	ANS30-8R8 A1778-8Z1								SCREW	6	
									NUT (TIN)	6	
-45	S157662-8								GUARD	1	
									(ATTACHING PARTS)		
-46	AN530-8R8 A1778-8Z1								SCREW	6	
									NUT (TIN)	6	
									FLIGHT CONTROLS INSTL, Sta 298	1	
-47	4157951								BRACKET ASSY, Flight controls fuselage sta 298 upper	1	
-48	4157956								PULLEY	3	
-49	AN210-3A								BOLT	1	
	AN24-30								WASHER	1	
	AN960D416								NUT	1	
	AN320-4								BRACKET ASSY, Flight controls fuselage sta 298 lower	1	
-50	4157955								PULLEY	5	
-51	AN210-3A								BOLT	1	
-52	AN4H31A								FLIGHT CONTROLS INSTL, Fuselage sta 315	1	
	S150114								BRACKET	1	
-53	4129493								(ATTACHING PARTS)		
									BOLT	2	
-54	AN3-5A								WASHER	2	
	AN960D10								NUT	2	
	AN365-1032								BOLT (Used on 4129493 and 4129494)	1	
-55	AN3-11A								WASHER	1	
	AN960D10								NUT	1	
	AN365-1032								PULLEY	2	
-56	AN210-2A								BOLT	1	
-57	AN23-24								WASHER	1	
	AN960D10								NUT	1	
	AN320-3								PIN (Formerly 143358-116)	2	
-58	NAS427K24								BRACKET	1	
-59	4129494								(ATTACHING PARTS)		
									BOLT	2	
-60	AN3-5A								WASHER	2	
	AN960D10								NUT	2	
	AN365-1032								PULLEY	2	
-61	AN210-2A								BOLT	1	
-62	AN23-24A								WASHER	1	
	AN960D10								NUT	1	
	AN365-1032								PIN (Formerly 143358-100)	2	
-63	NAS427K16								FLIGHT CONTROLS INSTL, Fuselage sta 332 and 352	1	
	S190427								BRACKET ASSY	1	
-64	S190428								(ATTACHING PARTS)		
									BOLT	4	
-65	AN3-20A								NUT	4	
	AN365-1032								PULLEY	2	
-66	AN210-1A								BOLT	2	
-67	AN23-21								WASHER	2	
	124682-3S12-064								NUT	2	
	AN320-3								PULLEY	6	
-68	AN210-4A								BOLT	3	
-69	AN24-44								NUT	3	
	AN320-4								BOLT	1	
-70	AN24-46								NUT	1	
	AN320-4								BOLT	1	
-71	AN24-52								NUT	1	
	AN320-4								BOLT	1	
-72	AN24-31								NUT	1	
	AN320-4								PIN	2	
-73	143358-211								PIN (Formerly 143358-224)	1	
-74	NAS427K44								PIN	1	
-75	143358-119								PIN	1	
-76	143358-221								PIN	1	
-77	143358-209								PIN	1	
-78	4190201								BRACKET ASSY	1	
									(ATTACHING PARTS)		
-79	AN3-7A								BOLT	3	
	AN365-1032								NUT	3	
									PULLEY	2	
-80	AN210-2A								BOLT	2	
-81	AN23-30								SPACER (Formerly 117425-3D01B)	2	
-82	NAS43DD3-36								NUT	2	
-83	AN320-3								BRACKET ASSY	1	
-84	2159704								PULLEY	2	
-85	AN210-1A								BOLT	2	
-86	AN23-13								NUT	2	
	AN320-3								CABLE ASSY, Rudder nose right forward	1	
-87	2074409-10-6-36300								(ATTACHING PARTS)		
									BOLT	1	
-88	AN24-20								WASHER	1	
	AN960-416								NUT	1	
	AN320-4										

Section II
Group Assembly Parts List

T.O. 1B-26B-4

FIGURE & INDEX NO.	PART NO.	DESCRIPTION							UNITS PER ASSY	USABLE ON CODE	
		1	2	3	4	5	6	7			
78-89	2074409-10-6-37709									1	
										1	
-90	AN24-20									1	
	AN960-416									1	
	AN320-4									1	
										1	
-91	2074409JE33300									2	
										1	
-92	AN24-29									1	
	143908-008S104-062									1	
	AN320-4									1	
										1	
-93	2205842									2	
										1	
-94	AN24-29									1	
	143908-008S104-062									1	
	AN320-4									1	
										1	
-95	2074406-6-4-28616									1	
										1	
-96	AN23-11									1	
	AN960-10									1	
	AN320-3									1	
										1	
-97	2074406-6-4-27518									1	
										1	
-98	AN23-11									1	
	AN960-10									1	
	AN320-3									1	
										1	
-99	2153779-4									1	
-100	2153779-2									1	
-101	2153780-8									1	
-102	2153780-6									1	
-103	2153780-4									1	
-104	2153780-2									1	
-105	AN155-8S									2	
-106	AN155-16S									2	
-107	AN155-32S									2	
-108	AN155-32L									6	
-109	AN155-16L									4	
-110	AN155-16S									2	
-111	AN23-11									2	
-112	AN960-10									2	
-113	AN320-3									2	

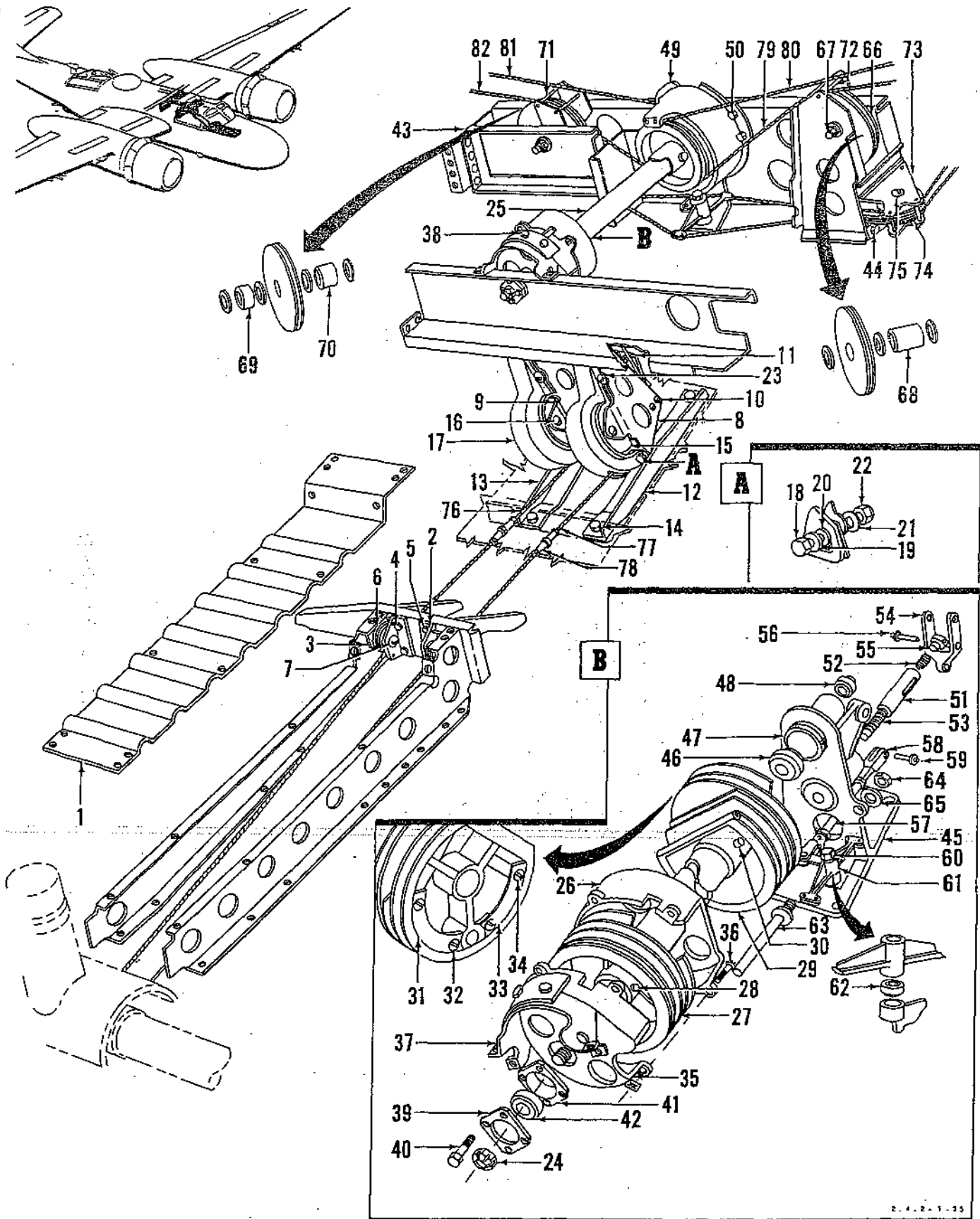


Figure 79. Fuselage Section Flight Controls Installation

Section II
Group Assembly Parts List

T.O. 1B-26B-4

FIGURE & INDEX NO.	PART NO.	1	2	3	4	5	6	7	DESCRIPTION	UNITS PER ASSY	USABLE ON CODE	
79-		FUSELAGE SECTION, FLIGHT CONTROLS INSTL										
-1	5191929	CABLE GUARD INSTL, Aileron sta 49 to 75 (see figure 78)							Ref			
	5191929-6	COVER, Aileron cable guard							1			
	5150377	FLIGHT CONTROL INSTL, Aileron fuselage sta 74 (see figure 78)							Ref			
-2	2151899	BRACKET ASSY, Outboard aileron pulley							1			
-3	2151609	BRACKET ASSY, Inboard aileron pulley (ATTACHING PARTS)							1			
-4	AN3-4A	BOLT							2			
	AN960D10L	WASHER							2			
	AN365-1032	NUT							2			
-5	AN3-5A	BOLT							2			
	AN960D10L	WASHER							2			
	AN365-1032	NUT							2			
-6	AN210-3A	PULLEY							2			
-7	AN24-15	BOLT							2			
	AN960D416	WASHER							2			
	AN320-4	NUT							2			
	5191005	TORQUE TUBE AND CONTROL LOCK INSTL, Aileron (see figure 78)							Ref			
	5191859	BRACKET ASSY, Aileron torque tube forward support							1			
-8	5191859-4	BRACKET, Aileron torque tube forward support LH							1			
-9	5191859-6	BRACKET, Aileron torque tube forward support RH							1			
-10	AN515-8-20	SCREW							4			
	NAS43DD-048	SPACER (formerly 111425-2D024)							4			
	AN960D8	WASHER							4			
	AN365-832	NUT							4			
	4191501	GUARD							1			
-11	1191751	ANGLE, Aileron bracket attaching							1			
-12	1191750	ANGLE, Aileron bracket pulley LH							1			
-13	1191750-1	ANGLE, Aileron bracket pulley RH (ATTACHING PARTS)							1			
-14	AN4-5A	BOLT							4			
	AN960D416	WASHER							4			
	AN365-428	NUT							4			
-15	AN210-6A	PULLEY							2			
-16	AN26-21	BOLT							2			
	AN960D616	WASHER							2			
	AN320-6	NUT							2			
-17	4192954	GUARD, Aileron pulley (ATTACHING PARTS)							2			
-18	AN4-7A	BOLT							2			
-19	NAS43DD4-10	SPACER (formerly 117425-4D005)							2			
-20	124682-4810-031	WASHER							2			
-21	AN960D416	WASHER							2			
-22	AN365-428	NUT							2			
-23	AN520-10-12	SCREW							2			
	AN960D10	WASHER							2			
	AN365-1032	NUT							2			
	5128639	TUBE ASSY, Aileron differential drum torque (ATTACHING PARTS)							1			
-24	AN310-6	NUT							1			
	AN960C616	WASHER							1			
-25	5128641	TUBE ASSY, Aileron torque							1			
-26	4151131	GUARD, Aileron torque tube forward drum							1			
-27	5128640	DRUM, Aileron differential							1			
-28	AN386-1-20A	PIN							2			
	AN975-3	WASHER							2			
	AN364-1032	NUT							2			
-29	5128632	DRUM ASSY, Aileron differential aft							1			
	116500-8C020	BUSHING, Chromium molybdenum steel (press to fit)							1			
-30	AN386-1-18A	PIN							1			
	AN364-1032	NUT							2			
	AN975-3	WASHER							2			
-31	1128834	STRIP, Aileron differential drum control lock rub LH							1			
-32	AN507-832-8	SCREW							2			
-33	1128834-1	STRIP, Aileron differential drum control lock rub RH							1			
-34	1087510-8-6	SCREW, Steel							2			
-35	4207238	GUARD ASSY, Aileron forward drum (ATTACHING PARTS)							1			
-36	AN530-8-10	SCREW							4			
	A1778-821	NUT (FIN)							4			
-37	4207239	BRACKET ASSY, Aileron forward drum guard support (ATTACHING PARTS)							1			
-38	AN3-6A	BOLT							3			
	AN970-3	WASHER							3			
-39	1151019	PLATE, Aileron torque tube forward bearing retainer							1			
	1151018	HOUSING ASSY, Aileron torque tube forward bearing (ATTACHING PARTS)							1			
-40	AN3-5A	BOLT							4			
	AN960D10	WASHER							4			
	AN365-1032	NUT							4			
-41	1151018-2	HOUSING							1			
-42	AN201K8A	BEARING							1			

FIGURE & INDEX NO.	PART NO.	DESCRIPTION							UNITS PER ASSY	USABLE ON CODE
		1	2	3	4	5	6	7		
79-43	5150287								1	
-44	AN3-5A AN960D10 AN365-1032								4	
									4	
									4	
-45	5150288								1	
-46	AN201K8A								1	
-47	1143173								1	
-48	S504								1	
-49	4151138								1	
-50	AN3-3A								4	
-51	1151024								1	
-52	1151023								1	
-53	1125982								1	
-54	1151022								1	
-55	1151025								1	
-56	AN393-41 AN960D10								2	
									2	
-57	146229-302								1	
-58	AN486-3								2	
	AN316-4R								2	
	AN393-17								2	
-59	AN960-10L 2150834								2	
									2	
									1	
-60	AN5-23 AN960-516 AN320-5								1	
									1	
									1	
-61	2150834-2								1	
-62	A403-6								1	
-63	2208752								2	
-64	AN365-1032								1	
-65	AN960D10								1	
-66	AN210-6A								2	
-67	AN26-36								2	
-68	NAS43DD6-62								1	
-69	NAS43DD6-14								1	
-70	NAS43DD6-24 AN320-6								1	
									2	
-71	143358-129								2	
-72	NAS427K22								2	
-73	2150835								1	
-74	AN210-2A								2	
-75	AN23-18 AN960D10								1	
									1	
									1	
-76	AN320-3								1	
-77	2153779-2								1	
-78	2153779-4								1	
-79	AN155-32S								2	
-80	2153780-2								1	
-81	2153780-4								1	
-82	2153780-6								1	
	2153780-8								1	

Section II
Group Assembly Parts List

T.O. 1B-26B-4
FUSELAGE

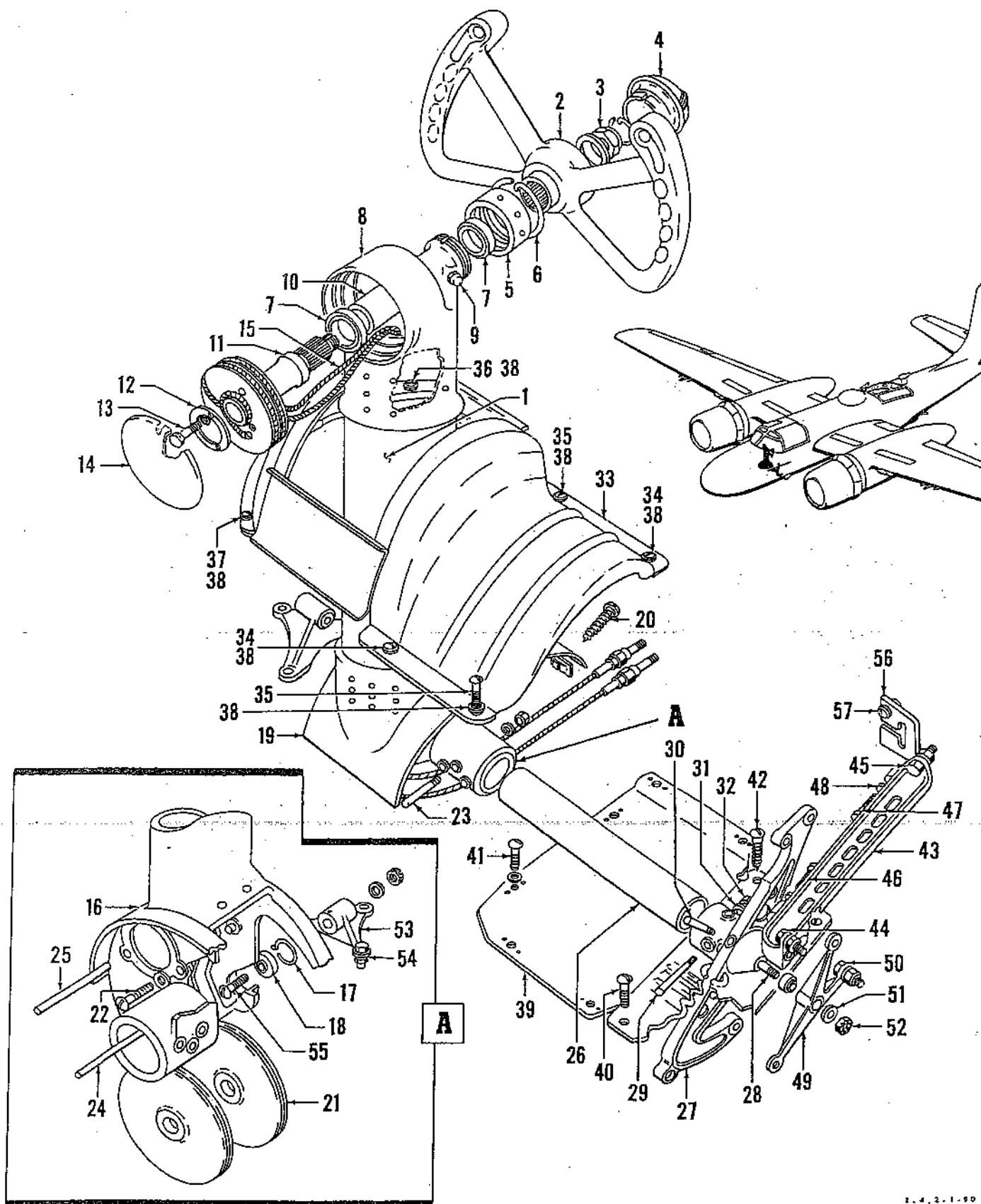


Figure 80. Pilot's Control Column Installation

FIGURE & INDEX NO.	PART NO.	1	2	3	4	5	6	7	DESCRIPTION	UNITS PER ASSY	USABLE ON CODE
80-	5122215	CONTROL COLUMN INSTL, Pilot's (see figure 78)							Ref		
-1	5122217	COLUMN ASSY, Pilot control							1		
-2	4123738	POST ASSY, Control column							1		
-2	5203756	WHEEL ASSY, Pilot control column							1		
-3	1127658	(ATTACHING PARTS)									
-3	AN960D1416	NUT, Pilot control wheel attaching							1		
-3	AN996-16	WASHER							1		
-3		RING							1		
-4	2069556	CAP ASSY, Control column wheel hub							1		
-5	2152266	CAP, Control column head bearing retaining							1		
-6	AN996-32	RING							1		
-7	A-541	BEARING, Extra light duty ball (FAF)							2		
-8	5125422	HEAD, Control column							1		
-9	NAS2-101A	FITTING							1		
-10	1125494	SPACER, Control column head bearing							1		
-11	4123757	SHAFT, Control column head aileron pulley							1		
-12	1125495	RING, Control column head cable locking							1		
-13	AN74A-6	(ATTACHING PARTS)									
-13	AN960D416	BOLT							3		
-13		WASHER							3		
-14	1191787	COVER, Control column head							1		
-15	2074409-4-4-15708	CABLE ASSY, Swaged type 5/32-in. dia							1		
-15	5125642	HOUSING ASSY, Control column pivot							2		
-16	5125642-2	HOUSING, Control column pivot							1		
-17	2130661-029	RING, Internal lock							1		
-18	AN201K6A	BEARING							1		
-19	2126683	COVER, Control column lower end							1		
-20	AN530-8-8	(ATTACHING PARTS)									
-20	A1778-8Z1	SCREW							4		
-20		NUT, Speed (TIN)							4		
-21	AN210-5A	PULLEY							2		
-22	AN26-27	BOLT							2		
-22	AN960D616	WASHER							2		
-22	AN320-6	NUT							2		
-23	AN386-4-22A	PIN							3		
-23	AN975-5	WASHER							3		
-23	AN364-524	NUT							3		
-24	1127651	PIN, Control column aileron pulley guard							1		
-25	143358-419	PIN, Pulley guard							1		
-26	1127657	TUBE, Control column torque							1		
-26	5125655	HORN ASSY, Control column elevator							1		
-27	5125655-2	HORN, Control column elevator							1		
-28	1125925	STUD, Bearing attaching outboard							1		
-29	AN386-2-22A	PIN							2		
-30	AN386-2-20A	PIN							1		
-31	AN975-3	WASHER							3		
-32	AN364-1032	NUT							3		
-32	5125664	COVER ASSY, Control column torque tube							1		
-33	5125664-46	COVER ASSY, Control column torque tube welded							1		
-34	AN520-10-12	SCREW							2		
-35	AN520-10-14	SCREW							2		
-36	AN520-10-16	SCREW							1		
-37	AN520-10-22	SCREW							1		
-38	AN960D10	WASHER							6		
-39	5154698	SEAL ASSY, Cockpit elevator horn							1		
-40	AN515-8-8	SCREW							2		
-41	AN515-8-10	SCREW							3		
-42	AN530-8-10	SCREW							5		
-42	A1881-8Z	NUT, Speed (TIN)							5		
-43	4123776	STOP, Control column elevator horn							1		
-44	AN3-5A	(ATTACHING PARTS)									
-44	AN960D10	BOLT							3		
-44	AN365-1032	WASHER							3		
-44		NUT							3		
-45	AN3-6A	BOLT							2		
-45	AN960D10	WASHER							2		
-45	AN365-1032	NUT							2		
-46	110242-5-17H	BOLT, Special full threaded							1		
-47	110242-5-15H	BOLT, Special full threaded							1		
-48	AN316-5R	NUT							2		
-49	4123795	SUPPORT, Control column bearing outboard							1		
-50	AN4-10A	(ATTACHING PARTS)									
-50	AN960D416	BOLT							3		
-50	AN365-428	WASHER							3		
-50		NUT							3		
-51	AN201K6A	BEARING (FAF)							1		
-52	AN960-616	WASHER							1		
-52	AN320-6	NUT							1		
-53	2126613	SUPPORT, Control column bearing inboard							1		

Section II
Group Assembly Parts List

T.O. 1B-26B-4

FIGURE & INDEX NO.	PART NO.	DESCRIPTION							UNITS PER ASSY	USABLE ON CODE
		1	2	3	4	5	6	7		
80-54	AN3-7A								3	
	AN960D10								3	
	AN365-1032								3	
-55	AN26-34								1	
	AN960D616								1	
	AN320-6								1	
-56	1127644								1	
-57	AN530-8-10								2	
	AN960D8								2	
	A1778-821								2	

FUSELAGE

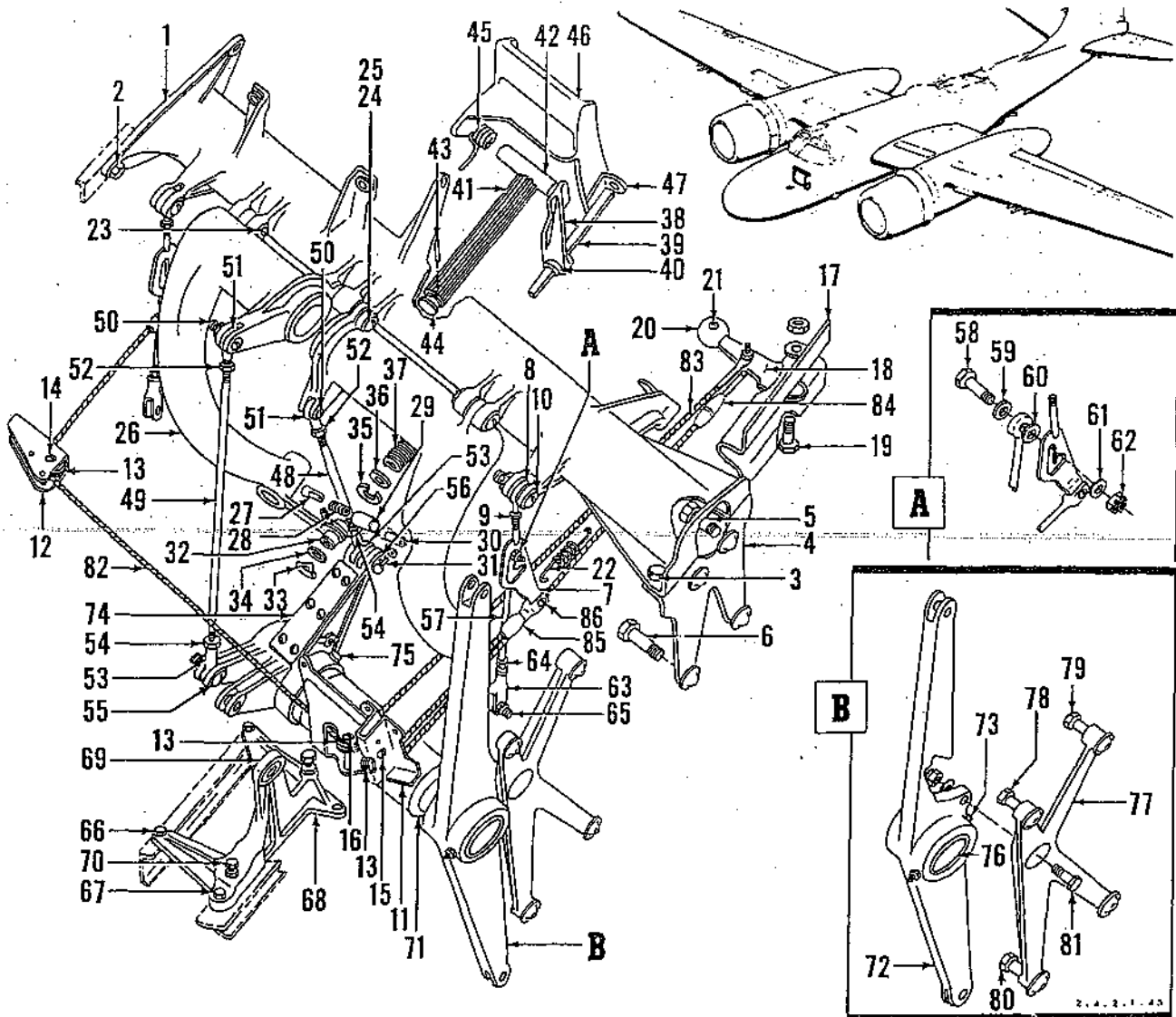


Figure 81. Pilot's Rudder Pedal and Brake Installation

FIGURE & INDEX NO.	PART NO.	DESCRIPTION							UNITS PER ASSY	USABLE ON CODE
		1	2	3	4	5	6	7		
81-	5153219	RUDDER PEDAL AND BRAKE INSTL, Pilot's (see figure 78)							Ref	
-1	5205203	TUBE, Pilot rudder pedal support							1	
		(ATTACHING PARTS)								
-2	AN4-7A	BOLT							2	
	AN960D416	WASHER							2	
	AN365D428	NUT							2	
-3	AN3-6A	BOLT							2	
	AN960D416	WASHER							4	
		---*---								
-4	4123627	FITTING, Pilot rudder pedal tube							1	
		(ATTACHING PARTS)								
-5	AN3-7A	BOLT							2	
	AN960D10	WASHER							2	
-6	AN3-10A	BOLT							2	
	AN960D10	WASHER							2	
		---*---								
-7	2123274	PLATE, Parking brake stop							2	
-8	REB3N2	END, Rod (FAP)							2	
-9	AN316-5R	NUT							2	
-10	AN23-23	BOLT							2	
	AN960D10	WASHER							2	
	AN320-3	NUT							2	
-11	5193058	BRACKET ASSY, Parking brake cable							1	
-12	2155169	BRACKET ASSY, Parking brake pulley RH							1	
-13	AN210-1A	PULLEY							3	
-14	AN23-10	BOLT							1	
	AN960-10	WASHER							1	
	AN320-3	NUT							1	
-15	AN23-10	BOLT							1	
	AN960-10	WASHER							1	
	AN320-3	NUT							1	
-16	AN23-31	BOLT							1	
	NAS43DD3-210	SPACER (Formerly 117425-3D105)							1	
	AN960-10	WASHER							1	
	AN320-3	NUT							1	
	4192888	BRACKET ASSY, Parking brake lever							1	
-17	4192888-2	BRACKET, Parking brake lever							1	
-18	1192363	LEVER ASSY, Parking brake cable							1	
		(ATTACHING PARTS)								
-19	AN23-14	BOLT							1	
	2033900-4S028-014	SPACER							1	
	AN960D10	WASHER							1	
	AN320-3	NUT							1	
		---*---								
-20	NAS198B093	KNOB ASSY (Formerly 2062606-2B3B093)							1	
-21	1067507	SCREW, Special oval head 10-32							1	
-22	1122871	SPRING, Parking brake release							1	
	5205249	PEDAL ASSY, Rudder and brake LH							1	A
	5205249-1	PEDAL ASSY, Rudder and brake RH							1	B
	5209070	PEDAL ASSY, Rudder and brake LH							1	B
	5209070-1	PEDAL ASSY, Rudder and brake RH							1	B
		(ATTACHING PARTS)								
-23	AN4-16	BOLT							2	
	AN960D416	WASHER							2	
	AN310-4	NUT							2	
-24	AN4-31	BOLT							1	
	AN960D416	WASHER							1	
	AN310-4	NUT							1	
-25	143908-009R104-034	WASHER							4	
		---*---								
-26	5205196	ARM ASSY, Rudder pedal LH							1	
	AN200K3	BEARING							2	
	5205197	ARM ASSY, Rudder pedal RH							1	
	AN200K3	BEARING							2	
-27	1024895	PIN, Rudder pedal lock							1	
-28	1024892	SPRING, Rudder pedal lock							1	
-29	1024891	GUIDE, Rudder pedal lock release							1	
-30	1125431	CLEVIS, Rudder pedal adjustment							1	
-31	AN392-9	PIN							1	
	AN960C6	WASHER							1	
-32	2125428	ARM, Rudder pedal adjustment							1	
-33	1125432	SPRING, Rudder pedal adjustment lock							1	
-34	143908-026D102-064	WASHER							1	
-35	1193343	SPACER, Rudder pedal and brake split							1	
-36	143908-021D106-051	WASHER							1	
-37	1122874	SPRING, Rudder pedal adjustment							1	
-38	4206051	LEVER, Rudder pedal adjustment LH							1	A
	4206051-1	LEVER, Rudder pedal adjustment RH							1	A
	2209072	LEVER, Rudder pedal adjustment LH							1	B
	2209072-1	LEVER, Rudder pedal adjustment RH							1	B
-39	5205249-2	TUBE, Rudder pedal adjustment							1	B
-40	1205393	BUSHING, Rudder pedal adjustment							1	A
	2209074	BUSHING ASSY, Rudder pedal adjustment							1	A
	2123277	SPLINE ASSY, Rudder pedal LH							1	B
	2123277-1	SPLINE ASSY, Rudder pedal RH							1	B

Section II

T.O. 1B-26B-4

Group Assembly Parts List

FIGURE & INDEX NO.	PART NO.	DESCRIPTION							UNITS PER ASSY	USABLE ON CODE
		1	2	3	4	5	6	7		
81-41	2123276								1	
-42	2125429								1	
-43	146142-127-101								1	
-44	1125442								1	
-45	1125430								1	
	1125430-1								1	
-46	5123590								1	
	5123590-1								1	
-47	2206052								1	
	2209073								1	
-48	2085485-1028								1	
-49	2085485-1328								1	
-50	AN24-23								2	
	AN960D416								2	
	AN320-4								2	
-51	1122861								2	
-52	AN316-5R								2	
-53	RE4F5								2	
-54	AN316-5R								2	
-55	AN24-26								1	
	AN960D416								1	
	AN320-4								1	
-56	AN24-36								1	
	AN960D416								1	
	AN320-4								1	
-57	2192192								2	
-58	AN23-34								2	
-59	AN960D10								2	
-60	124682-3S10-062								4	
-61	2033901-6SR187-006								2	
-62	AN320-3								2	
-63	AN486-3								2	
-64	AN316-4R								2	
-65	AN23-12								2	
	AN960-10								2	
	AN320-3								2	
	5123813								1	
-66	AN3-6A								3	
	AN365-1032								3	
-67	AN3-7A								1	
	AN365-1032								1	
-68	5123813-2								1	
-69	AN207D4								1	
-70	110242-5-7HP								2	
	AN316-5R								2	
	5123812								1	
-71	5123812-2								1	
-72	4123630								1	
-73	AN386-1-20A								2	
	AN975-3								2	
	AN364-1032								2	
-74	4123628								1	
-75	AN386-1-22A								2	
	AN975-3								2	
	AN364-1032								2	
-76	AN200KS4								1	
-77	4123629								1	
-78	AN3-7A								1	
	AN960D10								1	
-79	AN3-10A								2	
	AN960D10								2	
-80	AN3-11A								1	
	AN960D10								1	
-81	AN4-15								2	
	AN960-416								4	
	AN310-4								2	
-82	2074407-8-4-5216								1	
-83	2074407-8-4-3524								1	
-84	AN155-16S								1	
-85	AN161-16RS								1	
-86	AN23-10								1	
	AN960-10								1	
	AN320-3								1	

A USAF 41-39100 thru 41-39273 B USAF 41-39274 thru 41-39599
 43-22252 thru 43-22399 43-22400 thru 43-22466
 43-22467 thru 43-22493 43-22494 thru 43-22751
 44-34098 thru 44-36797

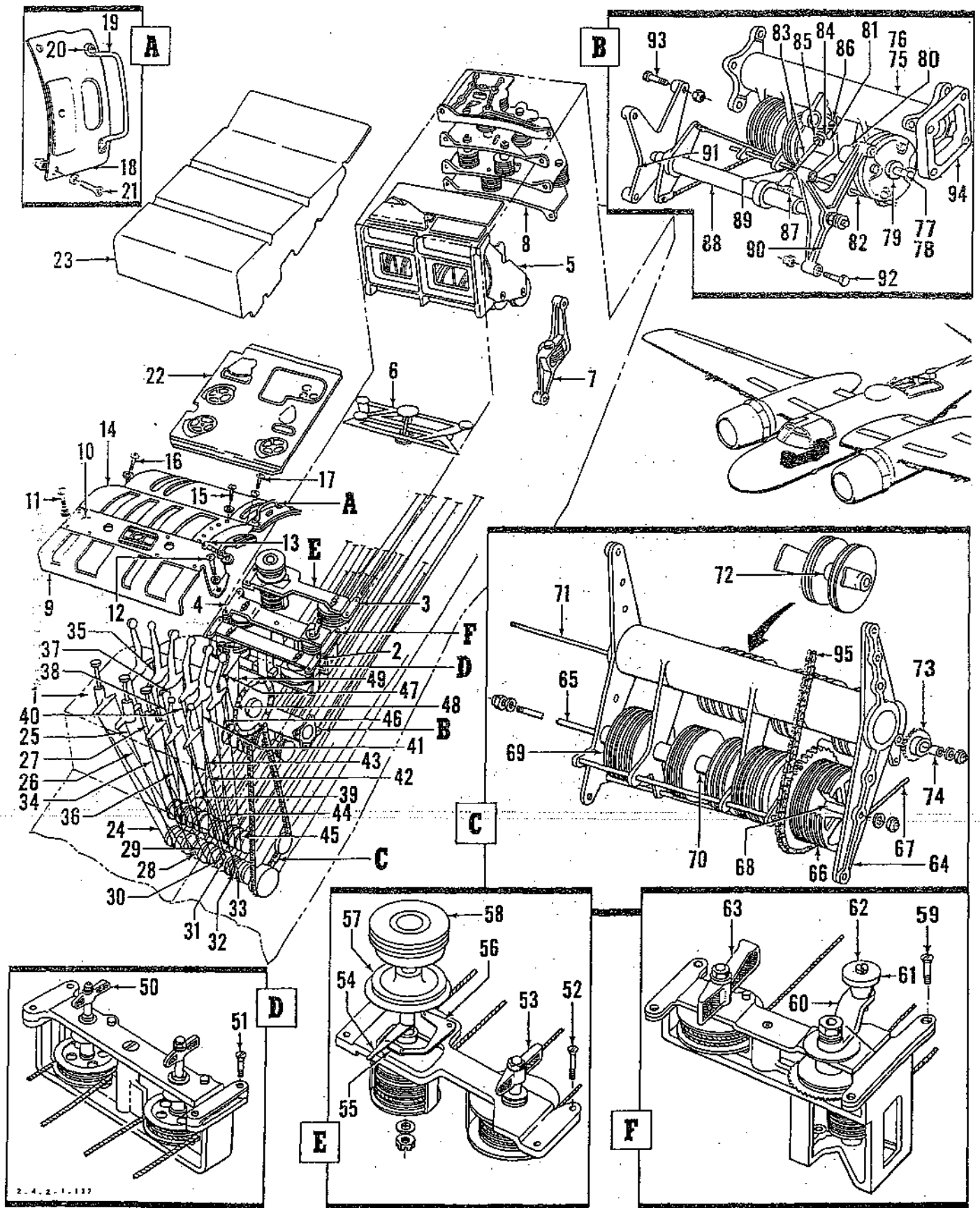


Figure 82. Pedestal Control Installation

Section II

Group Assembly Parts List

T.O. 1B-26B-4

FIGURE & INDEX NO.	PART NO.	1 2 3 4 5 6 7	DESCRIPTION	UNITS PER ASSY	USABLE ON CODE
82-	5153223		PEDESTAL CONTROL INSTL (See figure 40)	Ref	
-1	5202638		CONTROL ASSY, Engine pedestal (see figure 83)	1	A, B
	5207850		CONTROL ASSY, Engine pedestal (see figure 84)	1	C
	5208628		CONTROL ASSY, Engine pedestal (see figure 85)	1	D-F
-2	4158874		CONTROL ASSY, Fuel selector (see figure 86)	1	
-3	5150188		CONTROL ASSY, Emergency hydraulic selector and aileron trim tab (see figure 86)	1	
-4	5150190		CONTROL ASSY, Bomb bay fuel selector and rudder trim tab (see figure 86)	1	
-5	5202637		PEDESTAL CONTROL INSTL, Upper sta 93 (see figure 87)	1	
-6	5150107		PEDESTAL CONTROL INSTL, Lower sta 70 and 88 (see figure 87)	1	
-7	5202640		PEDESTAL CONTROL INSTL, Lower sta 88 to 120 (see figure 87)	1	
-8	5202641		PEDESTAL PULLEY BRACKET INSTL, Sta 120	1	
-9	5157876		COVER ASSY, Control pedestal forward	1	A-C
	5208763		COVER ASSY, Control pedestal forward	1	D-F
-10	4191518		COVER ASSY, Control pedestal center	1	A-D
	4208729		COVER ASSY, Control pedestal center (ATTACHING PARTS)	1	E, F
-11	AN520-10-16		SCREW	5	
	AN960D10		WASHER	5	
-12	AN520-10-10		SCREW	1	
	AN960D10		WASHER	1	
-13	AN520-10-20		SCREW	1	
	AN960D10		WASHER	1	
-14	5202639		COVER ASSY, Control pedestal rear	1	A-C
	5208626		COVER ASSY, Control pedestal rear (ATTACHING PARTS)	1	D-F
-15	AN520-10-10		SCREW	9	
	AN960D10		WASHER	9	
-16	AN520-10-16		SCREW	2	
	AN960D10		WASHER	2	
-17	AN520-10-12		SCREW	1	
	AN960D10		WASHER	1	
-18	2208618		PLATE	1	D-F
-19	2208517		GUARD (ATTACHING PARTS)	1	D-F
-20	AN23-10A		BOLT	2	D-F
	AN960D10		WASHER	2	D-F
	AN365-1032		NUT	2	D-F
-21	AN507-832R10		SCREW	3	
	AN960-8		WASHER	3	
	AN365-832		NUT	3	
-22	5195602		COVER ASSY, Control pedestal sta 49 to 70	1	
-23	5150137		COVER, Control pedestal sta 68 to 93	1	
-24	2074407-16-4-11123		CABLE ASSY, Landing gear down	1	
-25	2074407-16-4-11123		CABLE ASSY, Landing gear up	1	
-26	2074407-16-4-16824		CABLE ASSY, Blower high RH	1	
-27	2074407-16-4-16000		CABLE ASSY, Blower low RH	1	
-28	2074407-16-4-16824		CABLE ASSY, Blower high LH	1	
-29	2074407-16-4-16824		CABLE ASSY, Blower low LH	1	
-30	2074407-16-4-10116		CABLE ASSY, Control lock locked	1	A, B
	2077407-16-5-3108		CABLE ASSY, Control lock locked	1	C-F
-31	2077407-4-8-7116		CABLE ASSY, Control lock locked	1	C-F
	2074407-16-4-9824		CABLE ASSY, Control lock unlocked	1	A, B
	2074407-16-5-3924		CABLE ASSY, Control lock unlocked	1	C-F
	2074407-4-8-6098		CABLE ASSY, Control lock unlocked	1	C-F
-32	2074407-16-4-10608		CABLE ASSY, Emergency brake on	1	
-33	2074407-16-4-10608		CABLE ASSY, Emergency brake release	1	
-34	2074407-16-6-15100		CABLE ASSY, Mixture lean RH	1	
-35	2074407-16-6-16700		CABLE ASSY, Mixture rich RH	1	
-36	2074407-16-6-16000		CABLE ASSY, Mixture lean LH	1	
-37	2074407-16-6-17416		CABLE ASSY, Mixture rich LH	1	
-38	2074407-16-4-17216		CABLE ASSY, RPM decrease RH	1	A-C
	2074407-16-6-16700		CABLE ASSY, RPM decrease RH	1	D-F
-39	2074407-16-4-16624		CABLE ASSY, RPM increase RH	1	A-C
	2074407-16-6-16000		CABLE ASSY, RPM increase RH	1	D-F
-40	2074407-16-4-17216		CABLE ASSY, RPM decrease LH	1	A-C
	2074407-16-6-17416		CABLE ASSY, RPM decrease LH	1	D-F
-41	2074407-16-4-16824		CABLE ASSY, RPM increase LH	1	A-C
	2074407-16-6-16000		CABLE ASSY, RPM increase LH	1	D-F
-42	2074407-16-6-15100		CABLE ASSY, Throttle closed RH	1	
-43	2074407-16-6-16700		CABLE ASSY, Throttle open RH	1	
-44	2074407-16-6-16700		CABLE ASSY, Throttle closed LH	1	
-45	2074407-16-6-15100		CABLE ASSY, Throttle open LH	1	
-46	2074407-16-4-15116		CABLE ASSY, Carburetor air hot RH	1	
-47	2074407-16-4-15116		CABLE ASSY, Carburetor air cold RH	1	
-48	2074407-16-4-16000		CABLE ASSY, Carburetor air hot LH	1	
-49	2074407-16-4-14300		CABLE ASSY, Carburetor air cold LH	1	
-50	33B6001		HANDLE, Cock control	AR	
	AN960D10L		WASHER	AR	
	22K1-02		NUT, Cap (EN)	AR	
-51	AN507-1032-14		SCREW	4	

FIGURE & INDEX NO.	PART NO.	DESCRIPTION							UNITS PER ASSY	USABLE ON CODE
		1	2	3	4	5	6	7		
82-52	AN507-1032-10								4	
-53	2150727								1	
-54	1056308								1	
-55	1056306								1	
-56	1056307								1	
-57	4055640-1								1	
-58	2055552								1	
-59	AN507-1032-14								4	
	2150845								1	
-60	2150845-2								1	
-61	1151040								1	
-62	1151041								1	
	AN960D10L								1	
	AN320-3								1	
-63	33B6001								1	
	AN960D10L								1	
	22K1-02								1	
-64	5150142								1	
-65	1154397-6								1	
	4129579-2								1	
-66	2150781								1	
-67	2074407-6-6-84714								1	
-68	1026614G3-118								1	
-69	AN210-2A								27	
-70	NAS43DD3-222								1	
-71	1154397-18								1	
-72	NAS43DD3-18								3	
-73	1150988								1	
-74	1150989								1	
-75	5157572								1	A-C
-76	5208625								1	D-F
-77	1154397-12								1	A-C
-78	1154397-20								1	D-F
-79	1026614G3-031								1	A-C
-80	NAS43DD3-60								1	
-81	NAS43DD3-232								1	
-82	1202697								1	A-C
-83	1159880-2								1	A-C
	NAS94-3375								1	D-F
-84	AN486-4								1	A-C
	REB3N								2	D-F
-85	AN316-4R								AR	
-86	AN23-16								1	D-F
-87	AN23-17								1	D-F
	AN320-3								AR	
-88	4208526								1	D-F
-89	AN316-5R								4	D-F
-90	4208520								1	D-F
-91	4208519								1	D-F
	F520-5								1	D-F
-92	AN3-14A								3	D-F
	AN365-1032								3	D-F
-93	AN3-10A								3	D-F
	AN365-1032								3	D-F
-94	1158461								1	
-95	82								1	
		A USAF	41-39100	thru	41-39257					
			43-22252	thru	43-22303					
		B USAF	41-39258	thru	41-39299					
			43-22304	thru	43-22651					
		C USAF	41-39300	thru	41-39499					
			43-22652	thru	43-22751					
		D USAF	41-39500	thru	41-39599					
			44-35198	thru	44-35655					
		E USAF	44-34098	thru	44-34617					
			44-35656	thru	44-36337					
		F USAF	44-34618	thru	44-34762					
			44-36338	thru	44-36797					
			44-34763	thru	44-35197					

Section II
Group Assembly Parts List

T.O. 1B-26B-4
FUSELAGE

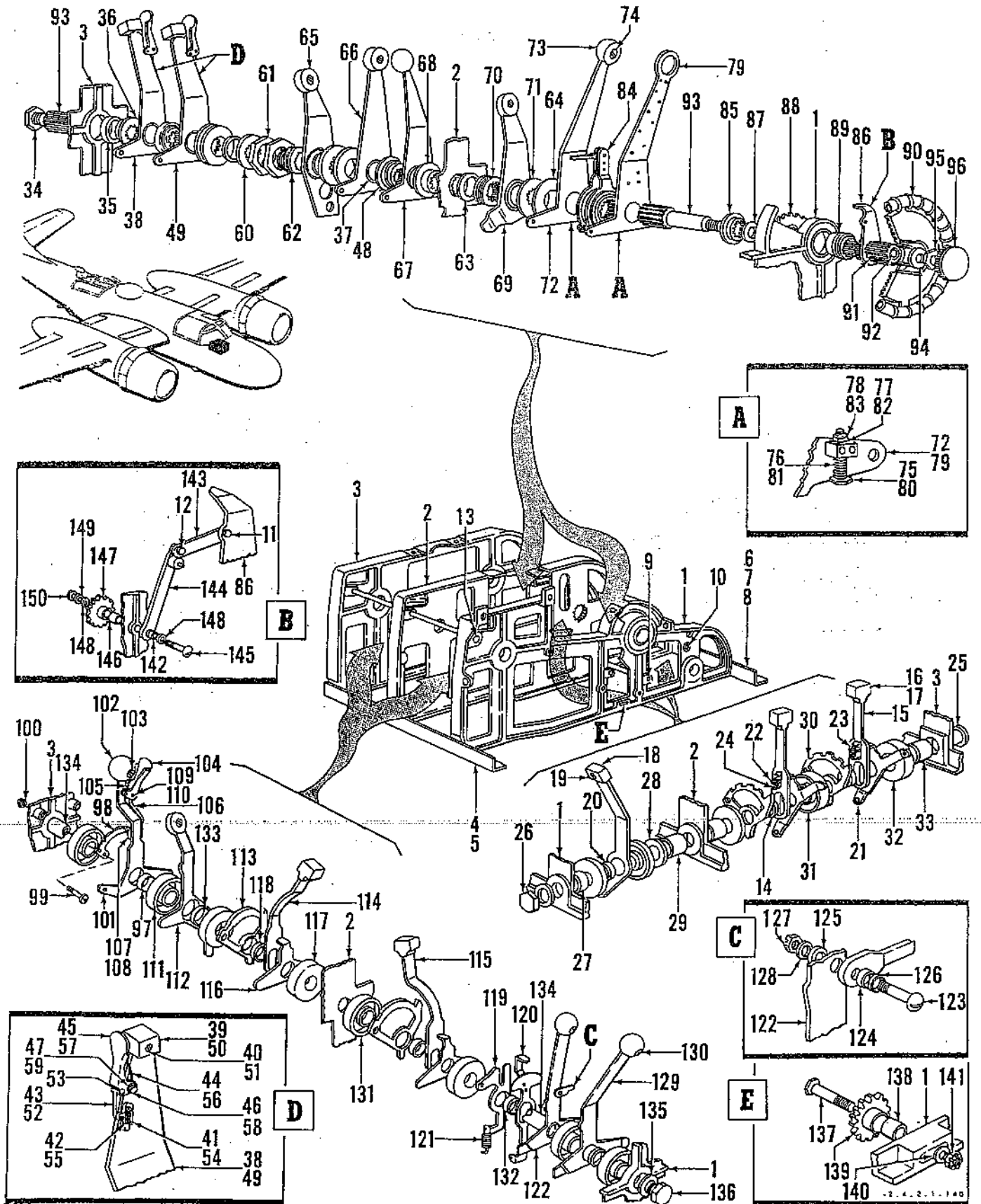


Figure 83. Engine Pedestal Control Assembly

FIGURE & INDEX NO.	PART NO.	DESCRIPTION							UNITS PER ASSY	USABLE ON CODE
		1	2	3	4	5	6	7		
83-	5202638	CONTROL ASSY, Engine pedestal (see figure 82)							Ref	A
-1	5157825	FRAME ASSY, Control pedestal LH							1	A
-2	5157826	FRAME ASSY, Control pedestal center							1	A
-3	5157827	FRAME ASSY, Control pedestal RH							1	A
-4	5202638-4	ANGLE							1	A
-5	AN3-5A	BOLT							2	A
	AN960D10	WASHER							2	A
	AN365-1032	NUT							2	A
-6	5202638-2	ANGLE							1	A
-7	AN507-1032R8	SCREW (Formerly 1087510-10-8)							1	A
-8	AN520-10-12	SCREW							1	A
	AN960D10	WASHER							1	A
	AN365-1032	NUT							1	A
-9	1150994	PIN							2	A
-10	1158672-4	TUBE, Quadrant retaining							1	A
-11	AN392-7	PIN							1	A
	AN960D6	WASHER							1	A
-12	AN392-11	PIN							1	A
	AN960D6	WASHER							1	A
-13	1158672-2	TUBE, Quadrant retaining							1	A
-14	1193222-10	SPACER, Control pedestal lever steel							4	A
-15	2158737	LEVER, Carburetor air control							2	A
-16	2062663-2BL 4BL125	KNOB (ATTACHING PARTS)							2	A
-17	AN507-832R12	SCREW (Formerly 1087510-8-12)							2	A
	4151132	LEVER ASSY, Wing flap control							1	A
-18	2062666-4B8B125	KNOB (ATTACHING PARTS)							1	A
-19	1087510-10-10	SCREW							1	A
-20	1193222-4	SPACER, Control pedestal lever steel							1	A
-21	1158659	BELLCRANK ASSY, Carburetor air control lever							2	A
-22	1158662	WASHER							4	A
-23	1158661	PIN, Control lever spring retaining							4	A
-24	1158663	SPRING, Control lever							4	A
-25	2157837-4	SHAFT, Control pedestal lever aft							1	A
	143908-018	WASHER							1	A
	D108-062	NUT, Control pedestal shaft retainer							1	A
-26	1150984	SPACER, Control pedestal lever shaft tubing							1	A
-27	1193973-8	WASHER							1	A
-28	124682-12D20-064	SPACER, Control pedestal lever shaft tubing							1	A
-29	1193973-6	QUADRANT, Carburetor air control lever							2	A
-30	1158670	SPACER, Pedestal control lever shaft							1	A
-31	4190209-4	SPACER, Pedestal control shaft							4	A
-32	4190209-20	SPACER, Control pedestal lever shaft tubing							2	A
-33	1193973-4	NUT, Mixture control lever adjusting							1	A
-34	1150957	BUSHING, Mixture control lever adjusting							1	A
-35	1157840	SPACER, Mixture control lever							1	A
-36	4158822-6	SLEEVE, Throttle RPM and mixture bearing							6	A
-37	1157833	LEVER ASSY, Mixture control RH							1	A
	4151133	LEVER							1	A
-38	4151133-2	KNOB (ATTACHING PARTS)							1	A
-39	2062650-4R8R187	SCREW							1	A
-40	1087510-10-10	LATCH							1	A
-41	2284599-1	SCREW							2	A
-42	2284650	PIN							1	A
	AN392-15	LINK							1	A
-43	2284655	SPRING							1	A
-44	2208890	LEVER							1	A
-45	2285287	PIN							1	A
-46	AN392-17	WASHER							2	A
-47	AN960-4	SPACER, RPM control lever							2	A
-48	4158822-2	LEVER ASSY, Mixture control LH							1	A
	4151134	LEVER							1	A
-49	4151134-2	KNOB (ATTACHING PARTS)							1	A
-50	2062650-4R8R187	SCREW							1	A
-51	1087510-10-10	LINK							1	A
-52	2284598	PIN							1	A
-53	AN392-15	LATCH							1	A
-54	2284599	SCREW							2	A
-55	2284650	SPRING							1	A
-56	2208890	LEVER							1	A
-57	2285287	PIN							1	A
-58	AN392-17	WASHER							2	A
-59	AN960-4	WASHER, Involute spline							2	A
-60	1204910	NUT, RPM control lever adjusting							2	A
-61	1150960	SLEEVE, RPM lock lever screw							1	A
-62	1157835	RING, Control lever shaft retainer snap							2	A
-63	1190037	WASHER							3	A
-64	143908-026 M208-032									

Section II

T.O. 1B-26B-4

Group Assembly Parts List

FIGURE & INDEX NO.	PART NO.	DESCRIPTION							UNITS PER ASSY	USABLE ON CODE
		1	2	3	4	5	6	7		
83-65	4157839	LEVER ASSY, RPM lock							1	A
	2062607-6R8R125	KNOB							1	A
	AN507-1032R8	(ATTACHING PARTS) SCREW (Formerly 1087510-10-8)							1	A
-66	4151135	LEVER ASSY, RPM control RH							1	A
	NAS124W187	KNOB (formerly 2062606-18W3W187)							1	A
	1087510-10-10	(ATTACHING PARTS) SCREW							1	A
-67	4151136	LEVER ASSY, RPM LH							1	A
	NAS124W187	KNOB (Formerly 2062606-18W3W187)							1	A
	1087510-10-10	(ATTACHING PARTS) SCREW							1	A
-68	4158822-8	SPACER, RPM control lever							1	A
-69	4157831	LEVER ASSY, Throttle lock							1	A
	2062607-6R8R125	KNOB							2	A
	AN507-1032R8	(ATTACHING PARTS) SCREW (Formerly 1087510-10-8)							1	A
-70	1157841	SLEEVE, Throttle lock lever screw							1	A
-71	1157834	WASHER, Control lever							3	A
	4151137	LEVER ASSY, Throttle control RH							1	A
-72	4151137-2	LEVER							1	A
-73	1202321	KNOB							1	A
		(ATTACHING PARTS)								
-74	AN307-1032R12	SCREW (Formerly 1087510-10-12)							1	A
-75	1205783	PIN ASSY							1	A
-76	1126983	SPRING							1	A
-77	AN960-10L	WASHER							1	A
-78	AN365-1032	NUT							1	A
	4151109	LEVER ASSY, Throttle control LH							1	A
-79	4151109-2	LEVER							1	A
-80	1205783	PIN ASSY							1	A
-81	1126983	SPRING							1	A
-82	AN960-10L	WASHER							1	A
-83	AN365-1032	NUT							1	A
-84	4192918	STOP ASSY, Throttle control lever							1	A
	1193219	ROD, Throttle stop push-pull							1	A
	1193217	PIN							1	A
-85	4158822-4	SPACER, Throttle control lever							1	A
-86	2150827	INDICATOR, Elevator trim tab control							1	A
-87	143908-0168	WASHER							1	A
	104-125									
-88	1150964	SPROCKET, Elevator trim tab drum drive							1	A
-89	1150965	SPACER, Elevator trim tab indicator							1	A
-90	4159511	WHEEL ASSY, Elevator trim tab control							1	A
-91	1190179	SHAFT, Elevator trim tab sprocket drive							1	A
-92	1150962	BUSHING, Throttle control lever adjusting							1	A
-93	2157838	SHAFT, Control pedestal lever center							1	A
-94	143908-012S104-064	WASHER							1	A
-95	AN364-624	NUT							1	A
-96	50890	DOT PLUG (UC)							1	A
-97	1193222-4	SPACER, Control pedestal lever steel							1	A
-98	1158671	QUADRANT, Landing gear control lever							1	A
-99	ANS01A416-28	SCREW (Formerly 1027307-416-28)							2	A
-100	AN365-428	NUT							2	A
-101	4191523	LEVER ASSY, Landing gear control							1	A
	4204840	LEVER							1	A
-102	NAS198R125	KNOB (Formerly 2062606-2R3R125)							1	A
		(ATTACHING PARTS)								
-103	AN507-10R16	SCREW (Formerly 1087510-10-16)							1	A
-104	2116137	LEVER							1	A
-105	2208890	SPRING							1	A
-106	1204861	SPRING							1	A
-107	1116233	LATCH							1	A
-108	1116218	SCREW							1	A
-109	AN392-13	PIN							2	A
-110	AN960-4	WASHER							3	A
-111	4190209-6	SPACER, Control pedestal lever shaft							2	A
-112	4193526	LEVER ASSY, Heat and vent pedestal control							1	A
	2062607-	KNOB							1	A
	6BL8BL187	(ATTACHING PARTS)								
	AN507-1032R8	SCREW (Formerly 1087510-10-8)							1	A
-113	1158666	QUADRANT, Blower control lever							2	A
-114	2159628	LEVER, Blower control RH							1	A
-115	4158820	LEVER, Blower control LH							1	A
	2062663-2A4A125	KNOB							2	A
-116	1158660	BELT CRANK ASSY, Blower control lever							2	A
-117	4190209-10	SPACER, Control pedestal lever shaft							2	A
-118	1193222-10	SPACER, Control pedestal lever steel							2	A

FIGURE & INDEX NO.	PART NO.	DESCRIPTION							UNITS PER ASSY	USABLE ON CODE
		1	2	3	4	5	6	7		
83-119	1193220								1	A
-120	2192705								1	A
-121	1193221								1	A
-122	4157828								1	A
	NAS121R187								1	A
	1067507-1								1	A
									1	A
-123	AN23-14								1	A
-124	2033901-5S								1	A
	187-004								1	A
-125	1026614G3-005								1	A
-126	143908-006S								1	A
	018-064								1	A
-127	AN320-3								1	A
-128	AN960D10								1	A
-129	4157836								1	A
	NAS121R187								1	A
	1067507-1								1	A
-130									1	A
-131	4190209-18								4	A
-132	1193222-12								1	A
-133	1193222-2								1	A
-134	2157837-2								1	A
-135	143908-01S								1	A
	108-062								1	A
-136	1150984								1	A
-137	AN3-12								1	A
-138	1026614G3-014								1	A
-139	1150988								1	A
-140	AN960D10								1	A
-141	AN320-3								1	A
-142	1150985								1	A
-143	1150987								1	A
-144	2150826								1	A
-145	AN23-24								1	A
-146	1150989								1	A
-147	1150988								1	A
-148	AN960-10L								2	A
-149	AN960-10								1	A
-150	AN320-3								1	A
A USAF 41-39100 thru 41-39299 AND 43-22252 thru 43-22651										

Section II
Group Assembly Parts List

T.O. 1B-26B-4
FUSELAGE

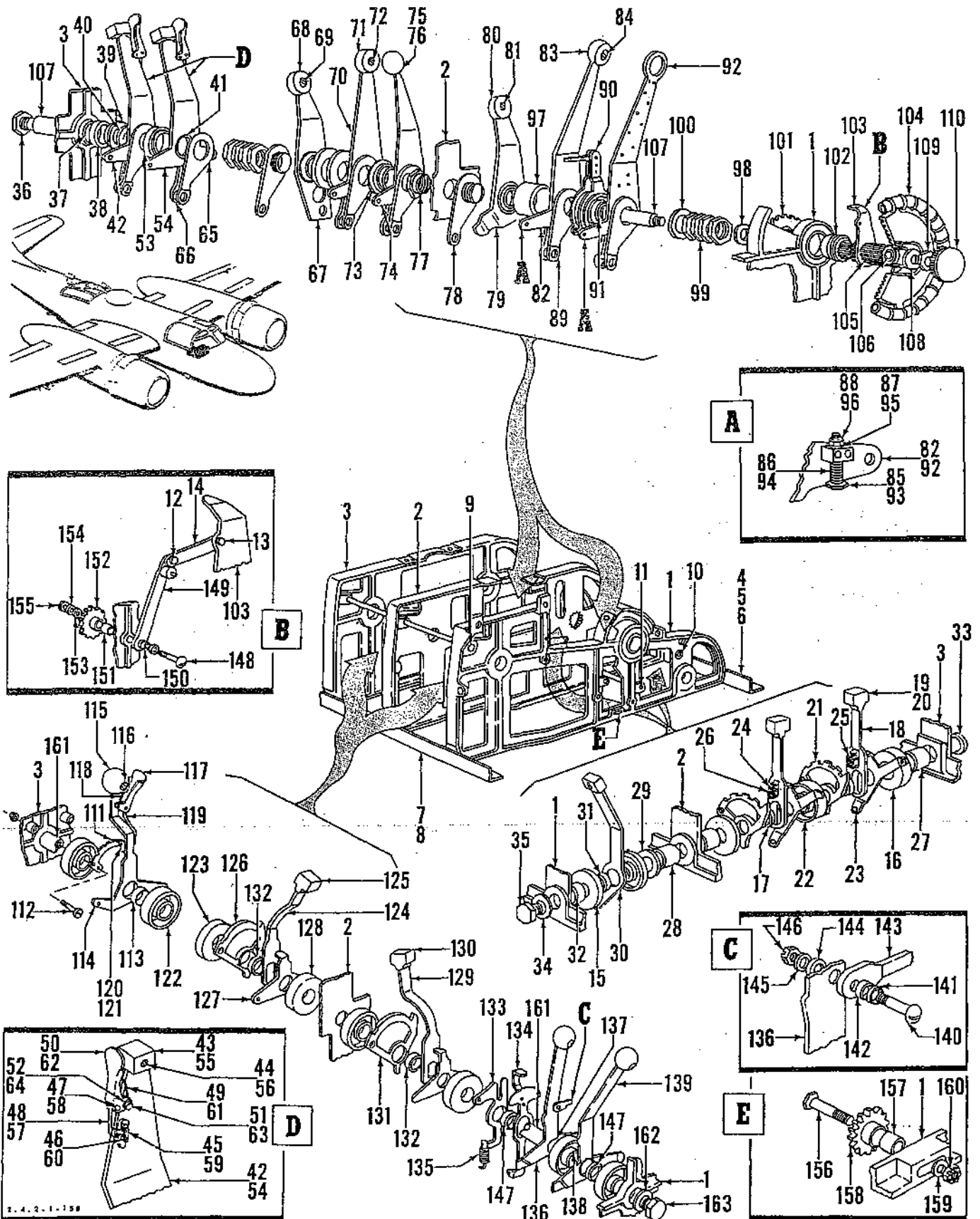


Figure 84. Engine Pedestal Control Assembly

FIGURE & INDEX NO.	PART NO.	DESCRIPTION							UNITS PER ASSY	USABLE ON CODE
		1	2	3	4	5	6	7		
84-	5207850	CONTROL ASSY, Engine pedestal (see figure 82)							Ref	A
-1	5157825	FRAME ASSY, Control pedestal LH							1	A
-2	5207851	FRAME ASSY, Control pedestal center							1	A
-3	5157827	FRAME ASSY, Control pedestal RH							1	A
-4	5207850-2	ANGLE							1	A
-5	AN507-1032R8	SCREW (Formerly 1087510-10-8)							1	A
-6	AN520-10-12	SCREW							1	A
	AN960D10	WASHER							1	A
	AN365-1032	NUT							1	A
-7	5207850-4	ANGLE							1	A
-8	AN3-5A	BOLT							2	A
	AN960D10	WASHER							2	A
	AN365-1032	NUT							2	A
-9	1158672-2	TUBE, Quadrant retaining							1	A
-10	1158672-4	TUBE, Quadrant retaining							1	A
-11	1150994	PIN, Throttle RPM and mixture control lever stop							2	A
-12	AN392-11	PIN							1	A
	AN960D6	WASHER							2	A
-13	AN392-7	PIN							1	A
	AN960D6	WASHER							2	A
-14	1150987	LINK, Elevator trim tab indicator							1	A
-15	1193973-4	SPACER, Control pedestal lever shaft tubing							1	A
-16	4190209-20	SPACER, Control pedestal lever shaft							4	A
-17	1193222-10	SPACER, Control pedestal lever steel							2	A
-18	2158737	LEVER, Carburetor air control							2	A
-19	2062663-2BL4BL125	KNOB							2	A
		(ATTACHING PARTS)								
-20	AN507-832R12	SCREW (formerly 1087510-8-12)							1	A
-21	1158670	QUADRANT, Carburetor air control lever							2	A
-22	4190209-4	SPACER, Control pedestal lever shaft							1	A
-23	1158659	BELLCRANK, Carburetor air control lever							2	A
-24	1158662	WASHER, Control lever snap							4	A
-25	1158661	PIN, Control lever spring retaining							4	A
-26	1158663	SPRING, Control lever							4	A
-27	1193973-4	SPACER, Control pedestal lever shaft tubing							1	A
-28	1193973-6	SPACER, Control pedestal lever shaft tubing							1	A
-29	124682-12D20-064	WASHER							1	A
-30	4151132	LEVER ASSY, Wing flap control							1	A
	2062650-4B8B125	KNOB							1	A
		(ATTACHING PARTS)								
	1087510-10-10	SCREW							1	A
-31	1193222-4	SPACER, Control pedestal lever steel							1	A
-32	1193973-8	SPACER, Control pedestal lever shaft tubing							1	A
-33	2157837-4	SHAFT, Control pedestal lever aft							1	A
-34	143908-018D108-062	WASHER							1	A
-35	1150984	NUT, Control pedestal aft shaft retainer							1	A
-36	2207879	NUT, Mixture control adjusting							1	A
-37	2207867	SLEEVE, Mixture control bearing							1	A
-38	2207868	SLEEVE, Mixture control adjusting							1	A
-39	2207963	SPACER, Mixture control RH							1	A
-40	143908-028M208-032	WASHER							4	A
-41	1157833	SLEEVE, Throttle rpm and mixture bearing							2	A
-42	4151133	LEVER ASSY, Mixture control RH							1	A
-43	4151133-2	LEVER							1	A
-44	2062650-4R8R187	KNOB							1	A
		(ATTACHING PARTS)								
-45	1087510-10-10	SCREW							1	A
-46	2284599-1	LATCH							1	A
-47	2284650	SCREW							2	A
-48	AN392-15	PIN							1	A
-49	2284655	LINK							1	A
-50	2208890	SPRING							1	A
-51	2285287	LEVER							1	A
-52	AN392-17	PIN							1	A
-53	AN960-4	WASHER							2	A
	2207874	SPACER, Mixture control							1	A
	4151134	LEVER ASSY, Mixture control LH							1	A
-54	4151134-2	LEVER							1	A
-55	2062650-4R8R187	KNOB							1	A
		(ATTACHING PARTS)								
-56	1087510-10-10	SCREW							1	A
-57	2284598	LINK							1	A
-58	AN392-15	PIN							1	A
-59	2284599	LATCH							1	A
-60	2284650	SCREW							2	A
-61	2208890	SPRING							1	A
-62	2285287	LEVER							1	A
-63	AN392-17	PIN							1	A
-64	AN960-4	WASHER							2	A
-65	2207878	WASHER, Mixture control lock LH							2	A
-66	2207878-1	WASHER							2	A
	4207861	LEVER ASSY, RPM lock							1	A

Section II

T.O. 1B-26B-4

Group Assembly Parts List

FIGURE & INDEX NO.	PART NO.	1	2	3	4	5	6	7	DESCRIPTION	UNITS PER ASSY	USABLE ON CODE
84-67	4207863								LEVER	1	A
-68	2062607-6R8R125								KNOB (formerly 2062607) (ATTACHING PARTS)	1	A
-69	AN507-1032R8								SCREW (formerly 1087510-10-8)	1	A
	4207858								LEVER ASSY, RPM control RH	1	A
-70	4207860								LEVER	1	A
-71	NAS124W187								KNOB (formerly 2062606-18W3W187) (ATTACHING PARTS)	1	A
-72	1087510-10-10								SCREW	1	A
-73	2207875								SPACER, Throttle and RPM control	1	A
	4207857								LEVER ASSY, RPM control LH	1	A
-74	4207859								LEVER	1	A
-75	NAS124W187								KNOB (formerly 2062606-18W3W187) (ATTACHING PARTS)	1	A
-76	1087510-10-10								SCREW	1	A
-77	2207880								NUT, Center control shaft shoulder	1	A
-78	2207866								SLEEVE ASSY, Lock screw	2	A
	4207862								LEVER ASSY, Throttle lock	1	A
-79	4207864								LEVER	1	A
-80	NAS123R125								KNOB (formerly 2062607) (ATTACHING PARTS)	1	A
-81	AN507-1032R8								SCREW (formerly 1087510-10-8)	1	A
	4207854								LEVER ASSY, Throttle control RH	1	A
-82	4207856								LEVER	1	A
-83	1202321								KNOB (ATTACHING PARTS)	1	A
-84	AN507-1032R12								SCREW (formerly 1087510-10-12)	1	A
-85	1205783								PIN ASSY	1	A
-86	1126983								SPRING	1	A
-87	AN960-10L								WASHER	1	A
-88	AN365-1032								NUT	1	A
-89	2207876								WASHER, Throttle and RPM control lock LH	4	A
	2207876-1								WASHER, Throttle and RPM control lock RH	4	A
-90	4207882								STOP ASSY, Throttle control	1	A
	1193219								ROD, Throttle stop push pull	1	A
-91	2207870								SPRING, Throttle and RPM control	2	A
	4207853								LEVER ASSY, Throttle control LH	1	A
-92	4207855								LEVER	1	A
-93	1205783								PIN ASSY	1	A
-94	1126983								SPRING	1	A
-95	AN960-10L								WASHER	1	A
-96	AN365-1032								NUT	1	A
-97	2207871								SLEEVE, Throttle and RPM lever bearing	4	A
-98	AN960-916								WASHER	AR	A
-99	2207877								NUT, Center shaft check	8	A
-100	AN960-1016								WASHER	1	A
-101	1150964								SPROCKET, Elevator trim tab drum drive	1	A
-102	1150965								SPACER, Elevator trim tab indicator	1	A
-103	2150827								INDICATOR, Elevator trim tab control	1	A
-104	4159511								WHEEL ASSY, Elevator trim tab control	1	A
-105	1190179								SHAFT, Elevator trim tab sprocket drive	1	A
-106	1150962								BUSHING, Throttle control lever adjusting	1	A
-107	4207852								SHAFT, Control pedestal center	1	A
-108	143908-012S104-064								WASHER	1	A
-109	AN364-624								NUT	1	A
-110	50890								DOT PLUG (UC)	1	A
-111	1158671								QUADRANT, Landing gear control lever	1	A
-112	AN501A416-28								SCREW (formerly 1027307-416-28)	1	A
	AN365-428								NUT	1	A
-113	1193222-4								SPACER, Control pedestal lever steel	1	A
	4191523								LEVER ASSY, Landing gear control	1	A
-114	4204840								LEVER	1	A
-115	NAS198R125								KNOB (formerly 2062606-2R3R125) (ATTACHING PARTS)	1	A
-116	AN507-1032R16								SCREW (formerly 1087510-10-16)	1	A
-117	2116137								LEVER	1	A
-118	2208890								SPRING	1	A
-119	1204861								SPRING	1	A
-120	1116233								LATCH	1	A
-121	1116218								SCREW	1	A
	AN392-13								PIN	2	A
	AN960-4								WASHER	3	A
-122	4190209-6								SPACER, Control pedestal lever shaft	2	A
-123	4190209-4								SPACER, Control pedestal lever shaft	1	A
-124	2159628								LEVER, Blower control RH	1	A
-125	2062663-2A4A125								KNOB	1	A
-126	1158666								QUADRANT, Blower control lever	1	A
-127	1158660								BELLCRANK ASSY, Blower control lever	2	A
-128	4190209-10								SPACER, Control pedestal lever shaft	2	A
-129	4158820								LEVER, Blower control LH	1	A

FIGURE & INDEX NO.	PART NO.	1	2	3	4	5	6	7	DESCRIPTION	UNITS PER ASSY.	USABLE ON CODE
84-130	2062663-2A4A125								KNOB.....	1	A
-131	1158666								QUADRANT.....	1	A
-132	1193222-10								SPACER, Control pedestal lever steel.....	2	A
-133	1193220								GUIDE, Control lock lever stop.....	1	A
-134	2192705								STOP ASSY, Control lock lever.....	1	A
-135	1193221								SPRING, Control pedestal lever shaft.....	1	A
-136	4157836								LEVER ASSY, Emergency brake.....	1	A
	NAS121R187								KNOB (formerly: 2062609-2R4R187) (ATTACHING PARTS)	1	A
	1067507-1								SCREW.....	1	A
									* - - - -		
-137	1193222-12								SPACER, Control pedestal lever steel.....	1	A
-138	4190209-18								SPACER, Control pedestal lever shaft.....	3	A
-139	4157828								LEVER ASSY, Control lock.....	1	A
	NAS121R187								KNOB (formerly: 2062609-2R4R187) (ATTACHING PARTS)	1	A
	1067507-1								SCREW.....	1	A
									* - - - -		
-140	AN23-14								BOLT.....	1	A
-141	AN960D10								WASHER.....	1	A
-142	1026614G3-005								SPACER, OD bearing.....	1	A
-143	1193219								ROD, Throttle stop push-pull.....	1	A
-144	2033901-5S187-004								SPACER.....	1	A
-145	143908-006S018-064								WASHER.....	1	A
-146	AN320-3								NUT.....	1	A
-147	1193222-2								SPACER, Control pedestal steel.....	1	A
-148	AN23-24								BOLT.....	1	A
-149	2150826								ARM ASSY, Elevator trim tab indicator follower.....	1	A
-150	1150985								BUSHING, Elevator trim tab stop arm.....	1	A
-151	1150989								BUSHING, Elevator trim tab chain idler sprocket.....	1	A
-152	1150988								SPROCKET, Elevator trim tab chain idler.....	1	A
-153	AN960-10L								WASHER.....	1	A
-154	AN960-10								WASHER.....	1	A
-155	AN320-3								NUT.....	1	A
-156	AN3-12								BOLT.....	1	A
-157	1026614G3-014								SPACER, OD bearing.....	1	A
-158	1150988								SPROCKET, Elevator trim tab chain idler.....	1	A
-159	AN960D10								WASHER.....	1	A
-160	AN320-3								NUT.....	1	A
-161	2157837-2								SHAFT, Control pedestal lever forward.....	1	A
-162	143908-018S108-062								WASHER.....	1	A
-163	1150984								NUT, Control pedestal forward shaft retainer.....	1	A
A USAF 41-39300 thru 41-39499 AND 43-22652 thru 43-22751											

Section II
Group Assembly Parts List

T.O. 1B-26B-4
FUSELAGE

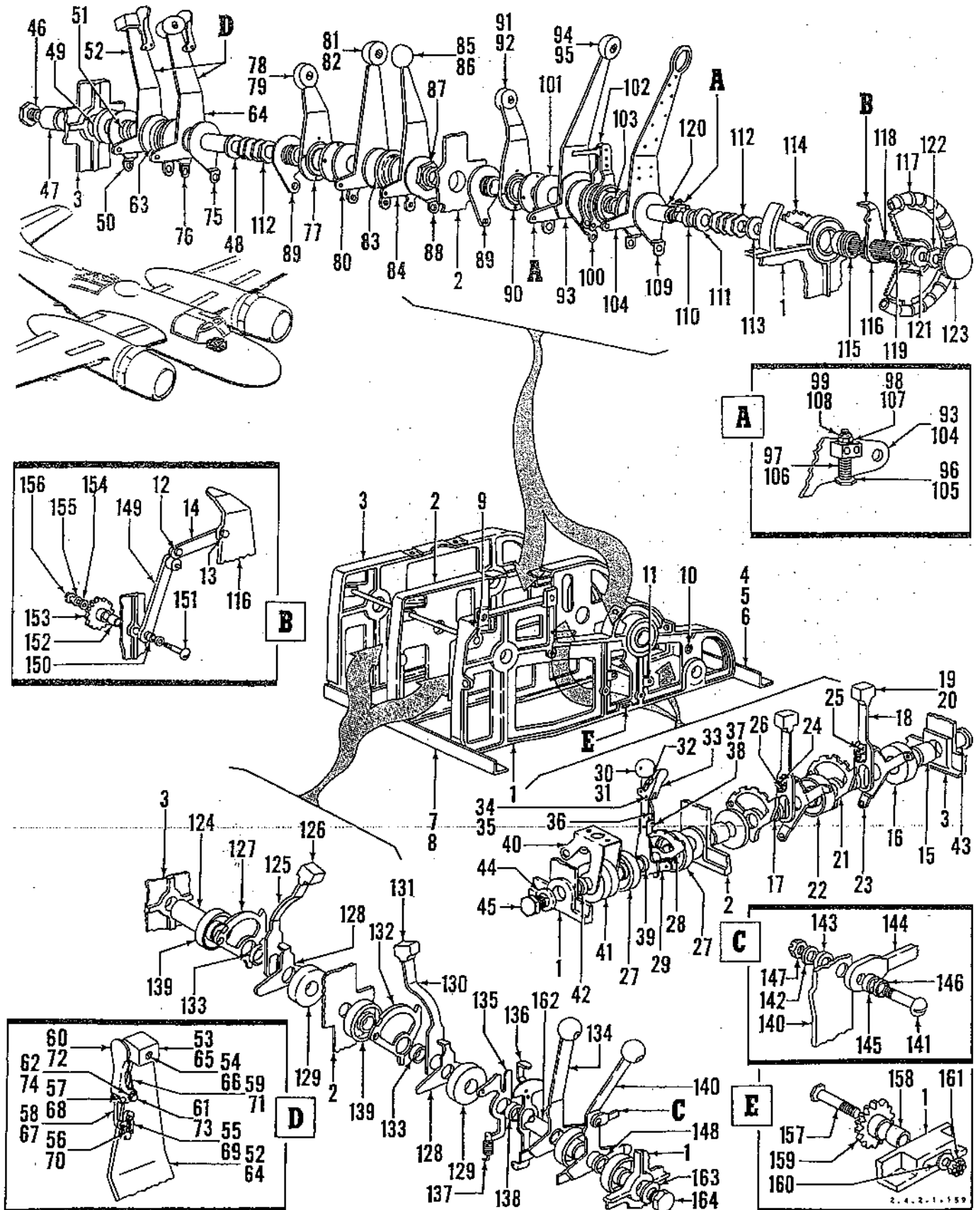


Figure 85. Engine Pedestal Control Assembly

FIGURE & INDEX NO.	PART NO.	DESCRIPTION							UNITS PER ASSY	USABLE ON CODE
		1	2	3	4	5	6	7		
85-	5208628	CONTROL ASSY, Engine pedestal (see figure 82)							Ref	A
-1	5157825	FRAME ASSY, Control pedestal LH							1	A
-2	5207851	FRAME ASSY, Control pedestal center							1	A
-3	5157827	FRAME ASSY, Control pedestal RH							1	A
-4	5208628-2	ANGLE							1	A
-5	AN507-1032R8	SCREW (Formerly 1087510-10-8)							1	A
-6	AN520-10-12	SCREW							1	A
	AN960D10	WASHER							1	A
	AN365-1032	NUT							1	A
-7	5208628-4	ANGLE							1	A
-8	AN3-5A	BOLT							2	A
	AN960D10	WASHER							2	A
	AN365-1032	NUT							2	A
-9	1158672-2	TUBE, Quadrant retaining							1	A
-10	1158672-4	TUBE, Quadrant retaining							1	A
-11	1150994	PIN, Throttle RPM and mixture control lever stop							2	A
-12	AN392-11	PIN							1	A
	AN960D6	WASHER							1	A
-13	AN392-7	PIN							1	A
	AN960D6	WASHER							1	A
-14	1150987	LINK, Elevator trim tab indicator							1	A
-15	1193973-4	SPACER, Control pedestal lever shaft tubing							2	A
-16	4190209-20	SPACER, Control pedestal lever shaft							2	A
-17	1193222-10	SPACER, Control pedestal lever steel							2	A
-18	2158737	LEVER, Carburetor air control							2	A
-19	2062663-2BL4BL 125	KNOB							2	A
		(ATTACHING PARTS)								
-20	AN507-832R12	SCREW (Formerly 1087510-8-12)							2	A
		- - - * - - -								
-21	1158670	QUADRANT, Carburetor air control lever							2	A
-22	4190209-4	SPACER, Control pedestal lever shaft							1	A
-23	1158659	BELLCRANK ASSY, Carburetor air control lever							2	A
-24	1158662	WASHER, Control lever snap							4	A
-25	1158661	PIN, Control lever spring retaining							4	A
-26	1158663	SPRING, Control lever							4	A
-27	4190209-18	SPACER, Control pedestal lever shaft							2	A
-28	2208604	QUADRANT, Landing gear control lever							1	A
	4208629	LEVER ASSY, Landing gear control							1	A
-29	4208627	LEVER							1	A
-30	NAS198R125	KNOB (Formerly 2062606-2R3R125)							1	A
		(ATTACHING PARTS)								
-31	AN507-1032R16	SCREW (Formerly 1087510-10-16)							1	A
		- - - * - - -								
-32	2208890	SPRING							1	A
-33	2116137	LEVER							1	A
-34	AN392-13	PIN							2	A
-35	AN960-4	WASHER							3	A
-36	2208605	SPRING							1	A
-37	1116233	LATCH							1	A
-38	1116218	SCREW							1	A
-39	1193222-4	SPACER, Control pedestal lever shaft tubing							1	A
-40	4208518	BRACKET, Wing flap operating switch							1	A
-41	4190209-10	SPACER, Control pedestal lever shaft							2	A
-42	1193973-10	SPACER, Control pedestal lever shaft tubing							1	A
-43	2157837-4	SHAFT, Control pedestal lever shaft							1	A
-44	143908-018D108-062	WASHER							1	A
-45	1150984	NUT, Control pedestal shaft retainer							1	A
-46	2207879	NUT, Mixture control adjusting							1	A
-47	2207867	SLEEVE, Mixture control bearing							1	A
-48	2207868	SLEEVE, Mixture control adjusting							1	A
-49	2207963	SPACER, Mixture control RH							1	A
-50	143908-026M208-032	WASHER							4	A
-51	1157833	SLEEVE, Mixture bearing							2	A
	4151133	LEVER ASSY, Mixture control RH							1	A
-52	4151133-2	LEVER							1	A
-53	2062650-4R8R187	KNOB							1	A
		(ATTACHING PARTS)								
-54	1087510-10-10	SCREW							1	A
		- - - * - - -								
-55	2284599-1	LATCH							1	A
-56	2284650	SCREW							1	A
-57	AN392-15	PIN							1	A
-58	2284655	LINK							1	A
-59	2208890	SPRING							1	A
-60	2285287	LEVER							1	A
-61	AN392-17	PIN							1	A
-62	AN960-4	WASHER							2	A
-63	2207874	SPACER, Mixture control							1	A
	4151134	LEVER ASSY, Mixture control LH							1	A
-64	4151134-2	LEVER							1	A
-65	2062650-4R8R187	KNOB							1	A
		(ATTACHING PARTS)								
-66	1087510-10-10	SCREW							1	A
		- - - * - - -								

Section II

T.O. 1B-26B-4

Group Assembly Parts List

FIGURE & INDEX NO.	PART NO.	1	2	3	4	5	6	7	DESCRIPTION	UNITS PER ASSY	USABLE ON CODE
85-67	2284598								LINK	1	A
-68	AN392-15								PIN	1	A
-69	2284599								LATCH	1	A
-70	2284650								SCREW	2	A
-71	2208890								SPRING	1	A
-72	2285287								LEVER	1	A
-73	AN392-17								PIN	1	A
-74	AN960-4								WASHER	2	A
-75	2207878								WASHER, Throttle control lock LH	2	A
-76	2207878-1								WASHER	2	A
	4207861								LEVER ASSY, RPM lock	1	A
-77	4207863								LEVER	1	A
-78	2062607-6R8R125								KNOB	1	A
									(ATTACHING PARTS)		
-79	AN507-1032R8								SCREW (Formerly 1087510-10-8)	1	A
									LEVER ASSY, RPM control RH	1	A
-80	4207860								LEVER	1	A
-81	2062606-18W3W187								KNOB	1	A
									(ATTACHING PARTS)		
-82	1087510-10-10								SCREW	1	A
-83	2207875								SPACER, Throttle and RPM control	1	A
	4207857								LEVER ASSY, RPM control LH	1	A
-84	4207859								LEVER	1	A
-85	2062606-18W3W187								KNOB	1	A
									(ATTACHING PARTS)		
-86	1087510-10-10								SCREW	1	A
-87	2207880								NUT, Center control shaft shoulder	1	A
-88	2275944								WASHER, Throttle and RPM control lock	1	A
-89	2207866								SLEEVE ASSY, Lock screw	2	A
	4207862								LEVER ASSY, Throttle lock	1	A
-90	4207864								LEVER	1	A
-91	2062607-6R8R125								KNOB	1	A
									(ATTACHING PARTS)		
-92	AN507-1032R8								SCREW (Formerly 1087510-10-8)	1	A
									LEVER ASSY, Throttle control RH	1	A
-93	4207854								LEVER	1	A
-94	1202321								KNOB	1	A
									(ATTACHING PARTS)		
-95	AN507-1032R12								SCREW (Formerly 1087510-10-12)	1	A
-96	1205783								PIN ASSY	1	A
-97	1126983								SPRING	1	A
-98	AN960-10L								WASHER	1	A
-99	AN365-1032								NUT	1	A
-100	2207876								WASHER, Throttle and RPM control lock LH	2	A
-101	2207876-1								WASHER, Throttle and RPM control lock RH	4	A
-102	4207882								STOP ASSY, Throttle control	1	A
	1193219								ROD, Throttle stop push-pull	1	A
-103	2207870								SPRING, Throttle and RPM control	2	A
	4207853								LEVER ASSY, Throttle control LH	1	A
-104	4207855								LEVER	1	A
-105	1205783								PIN ASSY	1	A
-106	1126983								SPRING	1	A
-107	AN960-10L								WASHER	1	A
-108	AN365-1032								NUT	1	A
-109	2275944								WASHER, Throttle and RPM control lock	1	A
-110	2207871								SLEEVE, Throttle and RPM bearing	4	A
-111	AN960-916								WASHER	AR	A
-112	2207877								NUT, Center shaft check	8	A
-113	AN960-1016								WASHER	1	A
-114	1150964								SPROCKET, Elevator trim tab drum drive	1	A
-115	1150965								SPACER, Elevator trim tab indicator	1	A
-116	2150827								INDICATOR, Elevator trim tab control	1	A
-117	4159511								WHEEL ASSY, Elevator trim tab control	1	A
-118	1190179								SHAFT, Elevator trim tab sprocket drive	1	A
-119	1150962								BUSHING, Throttle control lever adjusting	1	A
-120	4207852								SHAFT, Control pedestal center	1	A
-121	143908-012S104-064								WASHER	1	A
-122	AN364-624								NUT	1	A
-123	50890								DOT PLUG (UC)	1	A
-124	1193973-14								SPACER, Control pedestal lever shaft tubing	1	A
-125	2159628								LEVER, Blower control RH	1	A
-126	2062663-2A4A125								KNOB	1	A
-127	1158666								QUADRANT, Blower control lever	1	A
-128	1158660								BELECRANK ASSY, Blower control lever	2	A
-129	4190209-10								SPACER, Control pedestal lever shaft	2	A
-130	4158820								LEVER, Blower control LH	1	A
-131	2062663-2A4A125								KNOB	1	A
-132	1158666								QUADRANT, Blower control lever	1	A
-133	1193222-10								SPACER, Control pedestal lever steel	2	A
-134	4157836								LEVER ASSY, Emergency brake	1	A

FIGURE & INDEX NO.	PART NO.	DESCRIPTION							UNITS PER ASSY	USABLE ON CODE
		1	2	3	4	5	6	7		
85-	NAS121R187								1	A
	1067507-1								1	A
-135	1193220								1	A
-136	2192705								1	A
-137	1193221								1	A
-138	1193222-12								1	A
-139	4190209-18								6	A
-140	4157828								1	A
	NAS121R187								1	A
	1067507-1								1	A
-141	AN23-14								1	A
-142	AN960D10								1	A
-143	1026614G3-005								1	A
-144	1193219								1	A
-145	2035901-5S187-004								1	A
-146	143908-006S018-064								1	A
-147	AN320-3								1	A
-148	1193222-2								1	A
-149	2150826								1	A
-150	1150985								1	A
-151	AN23-24								1	A
-152	1150989								1	A
-153	1150988								1	A
-154	AN960-10L								1	A
-155	AN960-10								1	A
-156	AN320-3								1	A
-157	AN3-12								1	A
-158	1026614G3-014								1	A
-159	1150988								1	A
-160	AN960D16								1	A
-161	AN320-3								1	A
-162	2157837-2								1	A
-163	143908-018S108-062								1	A
-164	1150984								1	A
		A USAF 41-39500 thru 41-39599								
		44-35198 thru 44-36797								
		44-34098 thru 44-35197								

Section II
Group Assembly Parts List

T.O. 1B-26B-4
FUSELAGE

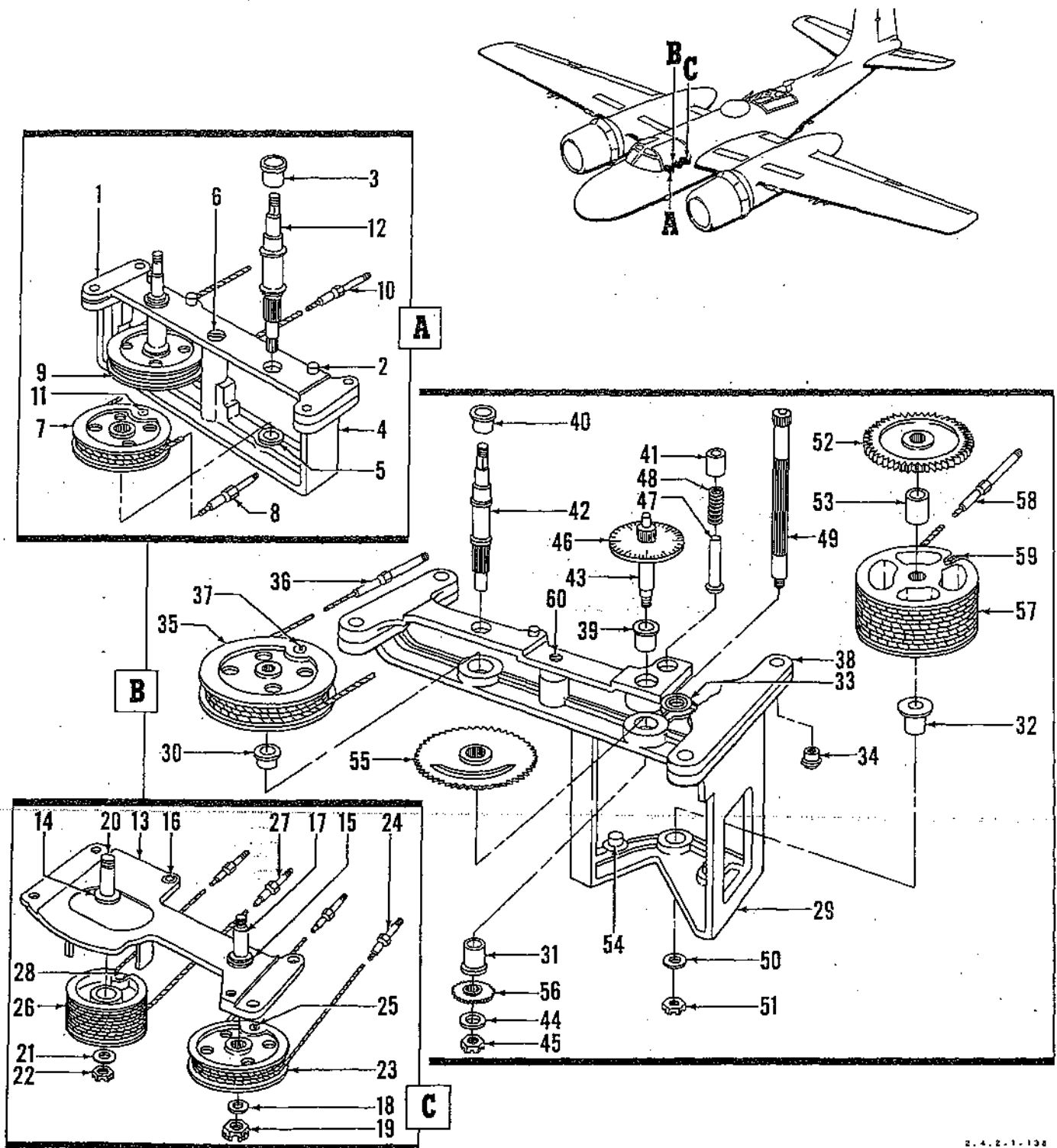


Figure 86. Control Assembly Details

FIGURE & INDEX NO.	PART NO.	DESCRIPTION							UNITS PER ASSY	USABLE ON CODE
		1	2	3	4	5	6	7		
86-		CONTROL ASSY DETAILS								
	4158874	CONTROL ASSY, Fuel selector (see figure 82)							Ref	
	4158857	BRACKET ASSY							1	
-1	4158857-2	BRACKET							1	
-2	1150524	PIN							4	
-3	1190067	BUSHING (Press to fit)							2	
	4158858	BRACKET ASSY							1	
-4	4158858-2	BRACKET							1	
-5	1150589	BUSHING (Press to fit)							2	
-6	AN507-1032R60	SCREW (formerly 1087510-10-59)							1	
	AN960D10	WASHER							1	
	AN365-1032	NUT							1	
	4129545-2	DRUM AND CABLE ASSY, Fuel selector LH							1	
-7	1155468-4	DRUM							1	
-8	2074407-6-6-25516	CABLE ASSY							1	
	4129545-4	DRUM AND CABLE ASSY, Fuel selector RH							1	
-9	1155468-4	DRUM							1	
-10	2074407-6-6-26200	CABLE ASSY							1	
-11	AN23-11A	BOLT							1	
	AN960D10	WASHER							1	
	AN364-1032	NUT							1	
-12	1158667	SHAFT							2	
	5150188	CONTROL ASSY, Emergency hydraulic selector and aileron trim tab (see figure 82)							Ref	
	5150189	BRACKET ASSY, Emergency hydraulic selector and aileron trim tab							1	
-13	5150189-2	BRACKET							1	
-14	1150522	BUSHING (Press to fit)							1	
-15	1150523	BUSHING (Press to fit)							1	
-16	A304-9	BUSHING, Orlite (press to fit) (AXD)							1	
-17	1150525	SHAFT							1	
-18	AN960-516L	WASHER							1	
-19	AN310-5	NUT							1	
-20	1150542	SHAFT							1	
-21	AN960D416	WASHER							1	
-22	AN320-4	NUT							1	
	4129545-8	DRUM AND CABLE ASSY							1	
-23	1155468-4	DRUM							1	
-24	2074407-4-4-16619	CABLE ASSY							1	
-25	AN23-11A	BOLT							1	
	AN960D10	WASHER							1	
	AN364-1032	NUT							1	
	2150737-2	DRUM AND CABLE ASSY							1	
-26	2150738	DRUM							1	
-27	2074407-6-6-24700	CABLE ASSY							1	
-28	144185-104	PIN							1	
	5150190	CONTROL ASSY, Bomb bay fuel selector and rudder trim tab (see figure 82)							Ref	
	5150192	BRACKET ASSY							1	
-29	5150192-2	BRACKET							1	
-30	1150589	BUSHING (Press to fit)							1	
-31	1150590	BUSHING (Press to fit)							1	
-32	1150591	BUSHING (Press to fit)							1	
-33	1150592	BUSHING (Press to fit)							1	
-34	22D12-02	NUT, Splined (EN) (press to fit)							4	
	4129545-6	DRUM AND CABLE ASSY							1	
-35	1155468-4	DRUM							1	
-36	2074407-4-4-10800	CABLE ASSY							1	
-37	AN23-11A	BOLT							1	
	AN960D10	WASHER							1	
	AN364-1032	NUT							1	
	5150191	BRACKET ASSY							1	
-38	5150191-2	BRACKET							1	
-39	1150587	BUSHING (Press to fit)							1	
-40	1150588	BUSHING (Press to fit)							1	
-41	A3751	BUSHING, Orlite (press to fit) (AXD)							1	
-42	1150905	SHAFT							1	
-43	1150597	SHAFT							1	
-44	AN960-416	WASHER							1	
-45	AN320-4	NUT							1	
-46	1150900	INDICATOR ASSY, Rudder trim tab position							1	
-47	1150901	PIN							1	
-48	1150902	SPRING							1	
-49	1150593	SHAFT ASSY							1	
-50	AN960-10	WASHER							1	
-51	AN320-3	NUT							1	
-52	1150596	GEAR							1	
-53	NAS43DD6-44	SPACER (formerly 117425-6D022)							1	
-54	143358-205	PIN							2	
-55	2151616	GEAR							1	
-56	1150598	GEAR							1	
	4129570-2	DRUM AND CABLE ASSY							1	
-57	2150770	DRUM							1	
-58	2074407-6-6-84900	CABLE ASSY							1	
-59	144185-104	PIN							1	
-60	AN507-1032-36	SCREW							1	
	AN960-10	WASHER							1	
	AN365-1032	NUT							1	

Section II
Group Assembly Parts List

T.O. 1B-26B-4
FUSELAGE

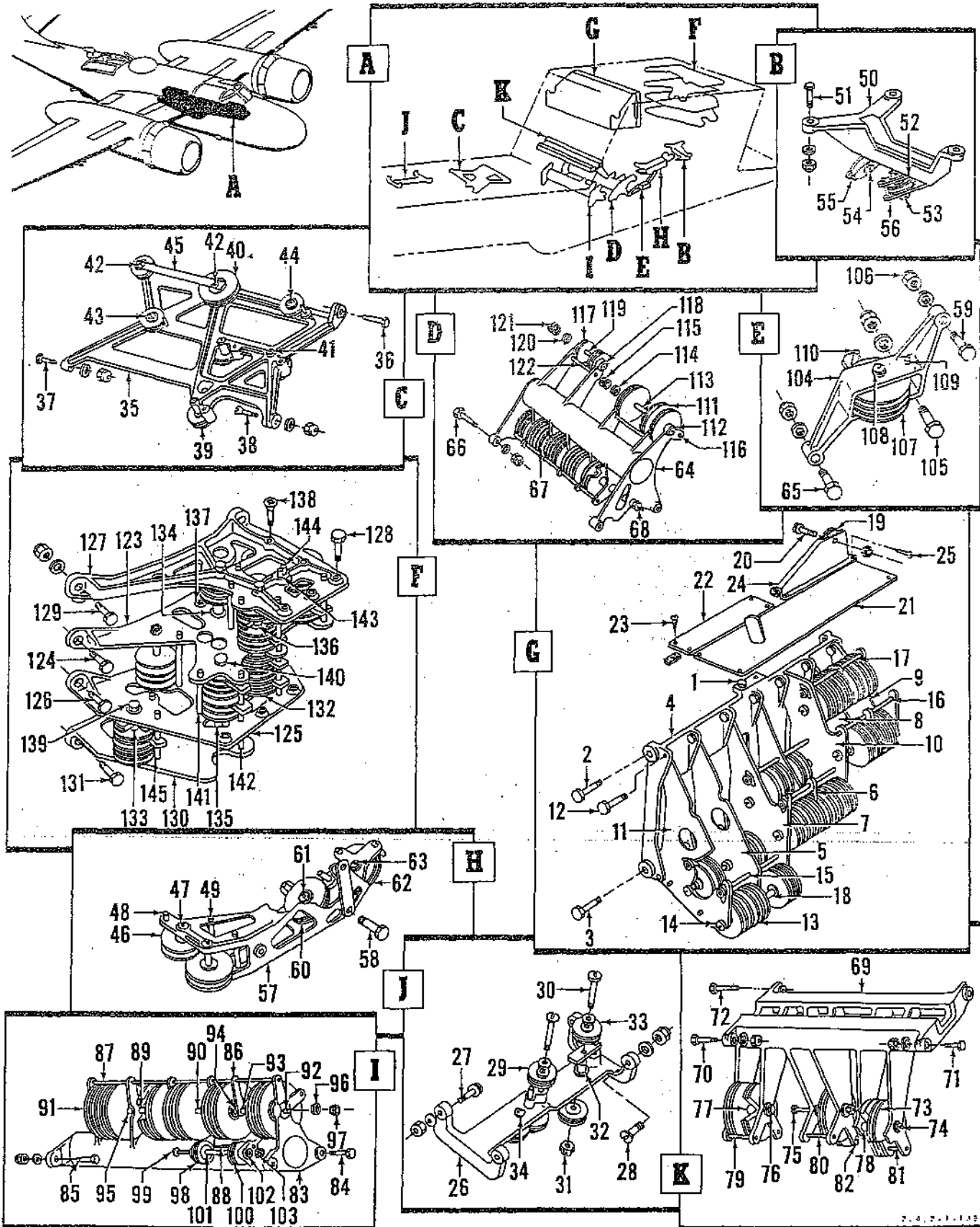


Figure 87. Upper and Lower Pedestal Control and Pulley Bracket Installation

FIGURE & INDEX NO.	PART NO.	1	2	3	4	5	6	7	DESCRIPTION	UNITS PER ASSY	USABLE ON CODE	
87-		UPPER AND LOWER PEDESTAL CONTROL AND PULLEY										
	5202637	BRACKET INSTL									Ref	
	5202637-2	PEDESTAL CONTROL INSTL, Upper sta 93									1	
	5193030	(see figure 82)									1	
-1	AN3-6A	BRACKET ASSY, Control pedestal upper sta 93									2	
	AN960D10	BRACKET ASSY, Pedestal pulley upper sta 93									2	
	AN365-1032	(ATTACHING PARTS)									2	
-2	AN3-10A	BOLT									2	
	AN960D10	WASHER									2	
	AN365-1032	NUT									2	
-3	AN3-11A	BOLT									2	
	AN960D10	WASHER									2	
	AN365-1032	NUT									2	
-4	5191097	BRACKET, Pedestal pulley upper sta 93									1	
-5	2157746	PLATE ASSY, Lower tier middle sta 93									1	
-6	2157747	PLATE ASSY, Middle tier middle sta 93									1	
-7	2157748	PLATE ASSY, Lower tier inner sta 93									1	
-8	2157749	PLATE ASSY, Upper tier middle sta 93									1	
-9	2157750	PLATE ASSY, Upper tier outer sta 93									1	
-10	2157751	PLATE ASSY, Upper tier inner sta 93									1	
-11	2157752	PLATE ASSY, Lower tier outer sta 93									1	
-12	AN3-5A	BOLT									14	
	AN960D10	WASHER									14	
	AN365-1032	NUT									14	
-13	AN210-2A	PULLEY									32	
-14	AN23-57	BOLT									6	
	AN960D10	WASHER									6	
	AN320-3	NUT									6	
-15	143358-303	PIN									4	
-16	NAS427K48	PIN (formerly 143358-300)									7	
-17	143358-214	PIN									1	
-18	1074744-3D594	SPACER									8	
-19	AN210-1A	PULLEY									1	
-20	AN23-11	BOLT									1	
	AN960D10	WASHER									1	
	AN320-3	NUT									1	
-21	2192702	PLATE									1	A
-22	2192701	PLATE									1	
		(ATTACHING PARTS)										
-23	AN530-8-8	SCREW									8	
	A1789-8Z1	NUT, Speed (TIN)									2	
-24	2277001	PLATE									1	B
		(ATTACHING PARTS)										
-25	AN530-8-8	SCREW									4	B
	A1789-8Z1	NUT, Speed (TIN)									2	B
	5150107	PEDESTAL CONTROL INSTL, Lower sta 70 and 88									Ref	
	5150109	(see figure 82)										
-26		BRACKET ASSY									1	
		(ATTACHING PARTS)										
-27	AN23-13A	BOLT									3	
	AN960D10	WASHER									6	
	AN365-1032	NUT									3	
-28	AN23-17A	BOLT									1	
	AN960D10	WASHER									2	
	AN365-1032	NUT									1	
-29	AN210-1A	PULLEY									4	
-30	AN23-32	BOLT									2	
	124682-3D12-065	WASHER									4	
-31	AN320-3	NUT									2	
-32	2033901-8K219-016	BUSHING									1	
-33	AN210-1A	PULLEY									1	
-34	AN23-22	BOLT									1	
	124682-3D12-065	WASHER									1	
	AN320-3	NUT									1	
-35	5150111	BRACKET ASSY									1	
		(ATTACHING PARTS)										
-36	AN3-7A	BOLT									2	
	AN960D10	WASHER									2	
	AN365-1032	NUT									2	
-37	AN3-6A	BOLT									1	
	AN960D10	WASHER									1	
	AN365-1032	NUT									1	
-38	AN507-1032R14	SCREW (Formerly 1087510-10-14)									1	
	AN960D10	WASHER									1	
	AN365-1032	NUT									1	
-39	AN210-1A	PULLEY									6	
-40	AN210-2A	PULLEY									1	

Section II

T.O. 1B-26B-4

Group Assembly Parts List

FIGURE & INDEX NO.	PART NO.	DESCRIPTION							UNITS PER ASSY	USABLE ON CODE	
		1	2	3	4	5	6	7			
87-41	AN23-23									1	
	AN320-3									1	
-42	AN23-28									2	
	AN320-3									2	
-43	AN23-21									3	
	AN320-3									3	
-44	AN23-29									1	
	AN320-3									1	
	AN960D10									AR	
	124682-3D12-065									AR	
-45	1193318									1	
	AN960D10									2	
	5202640									Ref	
-46	AN210-2A									2	
-47	AN23-34									2	
	1074744-3D455									2	
	AN960D10									2	
	AN320-3									2	
-48	NAS427K10									1	
-49	143358-113									2	
-50	4151226									1	
-51	AN3-6A									3	
	AN960D10									3	
	AN365-1032									3	
-52	AN210-1A									2	
-53	AN23-19									1	
	AN960D10									1	
	AN320-3									1	
-54	AN23-16									1	
	AN960D10									1	
	AN320-3									1	
-55	143358-025									2	
-56	NAS427K8									2	
-57	5128663									1	
-58	AN3-7A									2	
	AN960D10									2	
	AN365-1032									2	
-59	AN3-12A									1	
	AN960D10									1	
	AN365-1032									1	
-60	AN210-2A									1	
-61	AN23-26									1	
	AN960D10									1	
	AN320-3									1	
	NAS427K12									2	
-62	AN210-2A									1	
-63	AN23-22									1	
	AN960D10									1	
	AN320-3									1	
	NAS427K12									2	
-64	5193098									1	
-65	AN3-13A									1	
	AN960D10									1	
	AN365-1032									1	
-66	AN3-10A									3	
	AN960D10									3	
	AN365-1032									3	
-67	AN210-2A									16	
-68	1154397-2									1	
	AN960D10									2	
	AN320-3									2	
	143358-906									2	
	1074744-3D117									2	
	1074744-3D549									2	
-69	5128660									1	
-70	AN3-11A									1	
	AN960D10									1	
	AN365-1032									1	
-71	AN3-10A									1	
	AN960D10									1	
	AN365-1032									1	
-72	AN3-7A									2	
	AN960D10									2	
	AN365-1032									2	
-73	AN210-2A									5	
-74	AN23-34									1	
	AN960D10									1	
	AN320-3									1	

FIGURE & INDEX NO.	PART NO.	1	2	3	4	5	6	7	DESCRIPTION	UNITS PER ASSY	USABLE ON CODE
87-75	AN23-27								BOLT	1	
	AN960D10								WASHER	1	
	AN320-3								NUT	1	
-76	AN73-15								BOLT	1	
	AN960D10								WASHER	1	
	23D16-02								NUT, Spline (EN)	1	
-77	1074744-3D203								SPACER	1	
-78	NAS43DD3-16								SPACER (formerly 117425-3D008)	1	
-79	143358-113								PIN	2	
-80	143358-107								PIN	1	
-81	143358-119								PIN	2	
-82	NAS221-28								SCREW (formerly 1029657P 10-27)	1	
	AN960D10								WASHER	1	
	AN365-1032								NUT	1	
-83	5128662								BRACKET	1	
									(ATTACHING PARTS)		
-84	AN3-7A								BOLT	3	
	AN960D10								WASHER	3	
	AN365-1032								NUT	3	
-85	AN3-6A								BOLT	1	
	AN960D10								WASHER	1	
	AN365-1032								NUT	1	
									PLATE	1	
-86	1128853								PLATE	1	
-87	143358-813								PIN	2	
-88	143358-206								PIN	1	
-89	1074744-3D969								SPACER	1	
-90	1074744-3D593								SPACER	1	
-91	AN210-2A								PULLEY	12	
-92	1154397-4								STUD	1	
-93	1074744-3D1064								SPACER	1	
-94	1074744-3D223								SPACER	1	
-95	1074744-3D343								SPACER	1	
-96	AN960D10								WASHER	2	
-97	AN320-3								NUT	2	
-98	AN210-1A								PULLEY	1	
-99	AN23-42								BOLT	1	
-100	AN210-1A								PULLEY	1	
-101	1074744-3D1109								SPACER	1	
-102	AN960D10								WASHER	1	
-103	AN320-3								NUT	1	
-104	4128273								BRACKET	1	
									(ATTACHING PARTS)		
-105	AN3-10A								BOLT	1	
	AN960D10								WASHER	1	
	AN365-1032								NUT	1	
-106	AN365-1032								NUT	2	
	AN960D10								WASHER	2	
									PULLEY	2	
-107	AN210-2A								PULLEY	1	
-108	AN23-26								BOLT	1	
	AN960D10								WASHER	1	
	AN320-3								NUT	1	
-109	NAS427K12								PIN (formerly 143358-024)	1	
-110	143358-107								PIN	1	
-111	AN210-2A								PULLEY	3	
-112	AN23-64								BOLT	1	
-113	1074744-3D1604								SPACER	1	
-114	AN960D10								WASHER	1	
-115	AN320-3								NUT	1	
-116	NAS427K58								PIN (formerly 143358-320)	2	
-117	AN210-1A								PULLEY	2	
-118	AN23-46								BOLT	1	
-119	1074744-3D1331								SPACER	1	
-120	AN960D10								WASHER	1	
-121	AN320-3								NUT	1	
-122	143358-215								PIN	1	
	5202641								PEDESTAL PULLEY BRACKET INSTL, Sts 120	1	
-123	5128508								BRACKET	1	
									(ATTACHING PARTS)		
-124	AN3-6A								BOLT	2	
	AN960D10								WASHER	2	
	AN365-1032								NUT	2	
									BRACKET	1	
-125	5128507								BRACKET	1	
									(ATTACHING PARTS)		
-126	AN3-6A								BOLT	5	
	AN960D10								WASHER	5	
	AN365-1032								NUT	5	
									BRACKET, Upper plate	1	
-127	5128509								(ATTACHING PARTS)		
-128	AN3-7A								BOLT	3	
	AN960D10								WASHER	3	
	AN365-1032								NUT	3	
-129	AN3-6A								BOLT	2	
	AN960D10								WASHER	2	

Section II
Group Assembly Parts List

T.O. 1B-26B-4

FIGURE & INDEX NO.	PART NO.								DESCRIPTION	UNITS PER ASSY	USABLE ON CODE
		1	2	3	4	5	6	7			
87-	AN365-1032								NUT	2	
-130	5128506								BRACKET LOWER PLATE (ATTACHING PARTS)	1	
-131	AN3-6A								BOLT	2	
	AN960D10								WASHER	2	
	AN365-1032								NUT	2	
-132	AN210-2A								PULLEY	28	
-133	1150476								SPACER	15	
-134	1074744-3D969								SPACER	4	
-135	1074744-3D1750								SPACER	3	
-136	1151397								SPACER	2	
-137	1151399-6								SCREW	2	
	AN320-3								NUT	2	
-138	1151399-4								SCREW	2	
	AN320-3								NUT	1	
-139	AN3-33								BOLT	5	
	AN310-3								NUT	2	
-140	AN3-54								BOLT	11	
	AN960D10								WASHER	2	
	AN310-3								NUT	7	
-141	NAS427K38								PIN (formerly 143358-212)	2	
-142	143358-423								PIN, Pulley guard	1	
-143	143358-429								PIN, Pulley guard	3	
-144	NAS427K46								PIN (formerly 143358-226)	6	
-145	143358-218								PIN, Pulley guard		
									A USAF 41-39100 thru 41-39599		
									43-22252 thru 43-22751		
									44-34098 thru 44-34617		
									44-35198 thru 44-36337		
									E USAF 44-34618 thru 44-35197		
									44-36338 thru 44-36797		

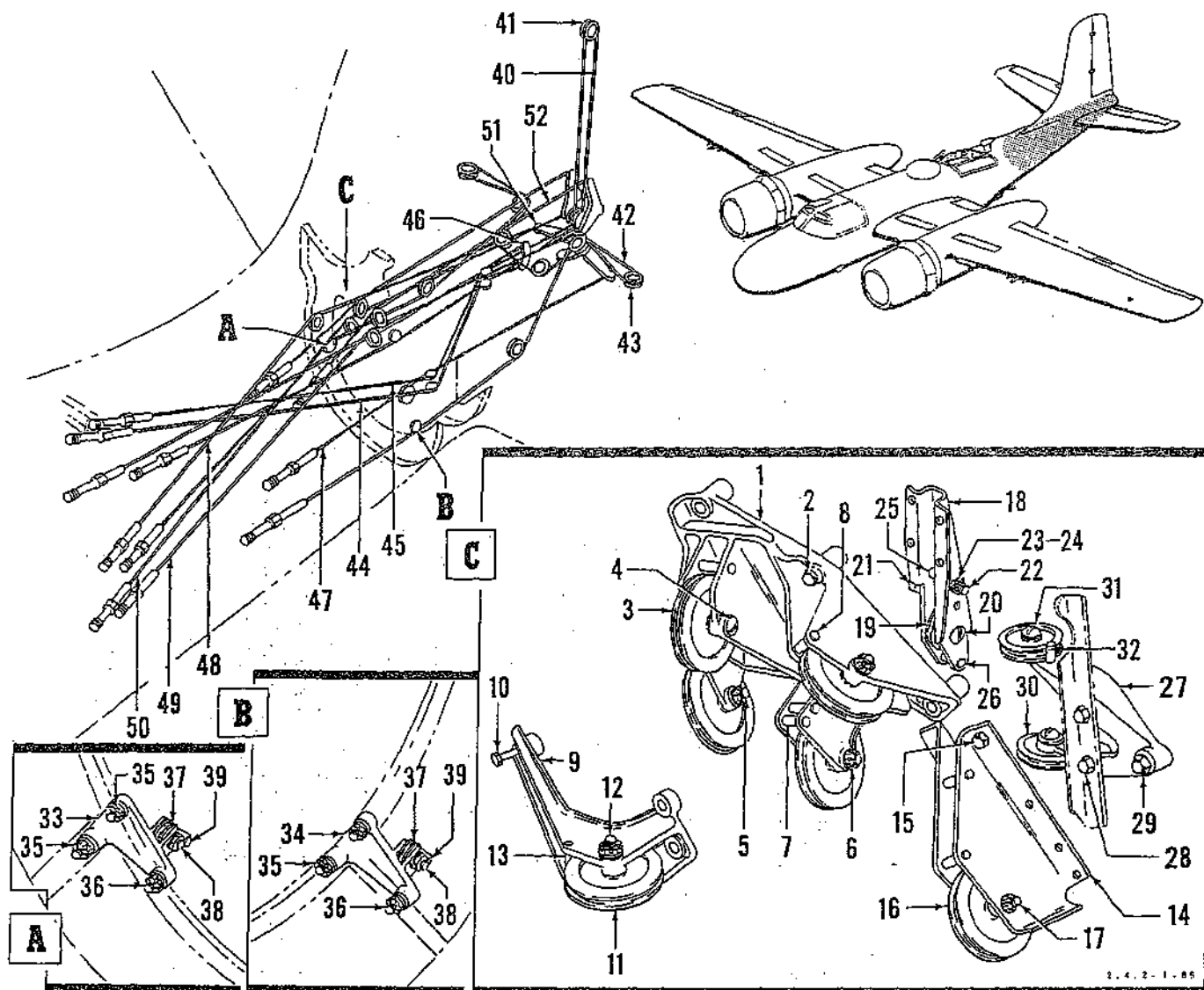


Figure 88. Fuselage Aft Section Flight Control Installation

FIGURE & INDEX NO.	PART NO.	DESCRIPTION							UNITS PER ASSY	USABLE ON CODE
		1	2	3	4	5	6	7		
88	5153183	FLIGHT CONTROL INSTL, Fuselage aft section (see figure 40)							Ref	
	5191282	FLIGHT CONTROL INSTL, Fuselage sta 474 (see figure 89)							1	
	5157878	FLIGHT CONTROL INSTL, Fuselage sta 447							1	
-1	5190591	BRACKET, Fuselage elevator pulley							1	
		(ATTACHING PARTS)								
-2	AN4-15A	BOLT							4	
	AN960D416	WASHER							4	
	AN365-428	NUT							4	
		- - - *								
-3	AN210-4A	PULLEY							4	
-4	AN24-22	BOLT							2	
	AN960D416	WASHER							2	
	AN320-4	NUT							2	
-5	AN24-24	BOLT							1	
	AN960D416	WASHER							1	
	AN320-4	NUT							1	
-6	AN24-25	BOLT							1	
	AN960D416	WASHER							1	
	AN320-4	NUT							1	
-7	143358-103	PIN, Pulley guard plain type 1-3/32 in. long							4	
-8	143358-109	PIN, Pulley guard 1-9/32 in. long							2	
-9	5159510	BRACKET, Fuselage rudder pulley nose right							1	
		(ATTACHING PARTS)								

Section II

T. O. 1B-26B-4

Group Assembly Parts List

FIGURE & INDEX NO.	PART NO.	1	2	3	4	5	6	7	DESCRIPTION	UNITS PER ASSY	USABLE ON CODE
88-10	AN3-10A								BOLT	3	
	AN960D10								WASHER	3	
	AN365-1032								NUT	3	
-11	AN210-4A								PULLEY	1	
-12	AN24-27								BOLT	1	
	AN960D416								WASHER	1	
	AN320-4								NUT	1	
-13	NAS427K19								PIN (Formerly 143358-106)	1	
-14	4190333								BRACKET ASSY, Fuselage rudder pulley nose left (ATTACHING PARTS)	1	
-15	AN3-4A								BOLT	2	
	AN960D10								WASHER	2	
	AN365-1032								NUT	2	
-16	AN210-4A								PULLEY	1	
-17	AN24-15								BOLT	1	
	AN960D416								WASHER	1	
	AN320-4								NUT	1	
-18	2150842								BRACKET, Fuselage rudder trim pulley	1	
-19	AN210-1A								PULLEY	1	
-20	AN23-12								BOLT	1	
	AN960D10								WASHER	1	
	AN320-3								NUT	1	
-21	1151038								FAIRLEAD (ATTACHING PARTS)	1	
-22	ANS15-8-20								SCREW	2	
-23	AN960D8								WASHER	2	
-24	AN365-832								NUT	2	
-25	NAS43DD2-28								SPACER (Formerly 117425-2D014)	2	
-26	NAS43DD4-28								SPACER (Formerly 117426-4D014)	1	
-27	2150844								BRACKET, Fuselage control lock pulley (ATTACHING PARTS)	1	
-28	AN3-10A								BOLT	2	
	AN960D10								WASHER	2	
	AN365-1032								NUT	2	
-29	AN3-14A								BOLT	1	
	AN960D10								WASHER	1	
	AN365-1032								NUT	1	
-30	AN210-1A								PULLEY	2	
-31	AN23-15								BOLT	2	
	AN320-3								NUT	2	
-32	NAS427K12								PIN (Formerly 143358-024)	2	
-33	4190206								BRACKET, Fuselage elevator trim pulley RH	1	
-34	4190207								BRACKET, Fuselage elevator trim pulley LH (ATTACHING PARTS)	1	
-35	AN3-6A								BOLT	2	
	AN960-3								WASHER	2	
	AN365-1032								NUT	2	
-36	AN3-7A								BOLT	1	
	AN960-3								WASHER	1	
	AN365-1032								NUT	1	
-37	AN210-1A								PULLEY	2	
-38	AN23-20								BOLT	2	
	AN960D10								WASHER	2	
	AN320-3								NUT	2	
-39	NAS427K46								PIN (Formerly 143358-26)	2	
	4127568-2								DRUM ASSY, Rudder trim tab control	1	
-40	2074407-7-7								CABLE ASSY, Rudder trim tab control	1	
	-29700										
-41	2126532								DRUM, Rudder trim tab	1	
	4127569-2								DRUM AND CABLE ASSY, Elevator trim tab control	1	
-42	2074407-7-7								CABLE ASSY, Swaged type 3/32-in. dia (elevator trim)	1	
	-41716										
-43	2126532								DRUM, Rudder trim tab	2	
-44	2074406-5-5								CABLE ASSY, Swaged type 1/16-in. dia (control lock release)	1	
	-12200										
-45	2074406-5-5								CABLE ASSY, Swaged type 1/16-in. dia (control lock lock)	1	
	-11028										
-46	AN23-10								BOLT	2	
	AN320-3								NUT	2	
-47	2074409-7-10								CABLE ASSY, Swaged type 5/32-in. dia (rudder nose left)	1	
	-9800										
-48	2074409-7-10								CABLE ASSY, Swaged type 5/32-in. dia (rudder nose right)	1	
	-12026										
-49	2074409-7-10								CABLE ASSY, Swaged type 5/32-in. dia (LH elevator nose down)	1	
	-11410										
-50	2074409-7-10								CABLE ASSY, Swaged type 5/32-in. dia (RH elevator nose down)	1	
	-11524										
-51	AN24-21								BOLT	4	
	AN320-4								NUT	4	
-52	2153837-2								CABLE ASSY, Elevator nose up 5/32 in. dia	2	

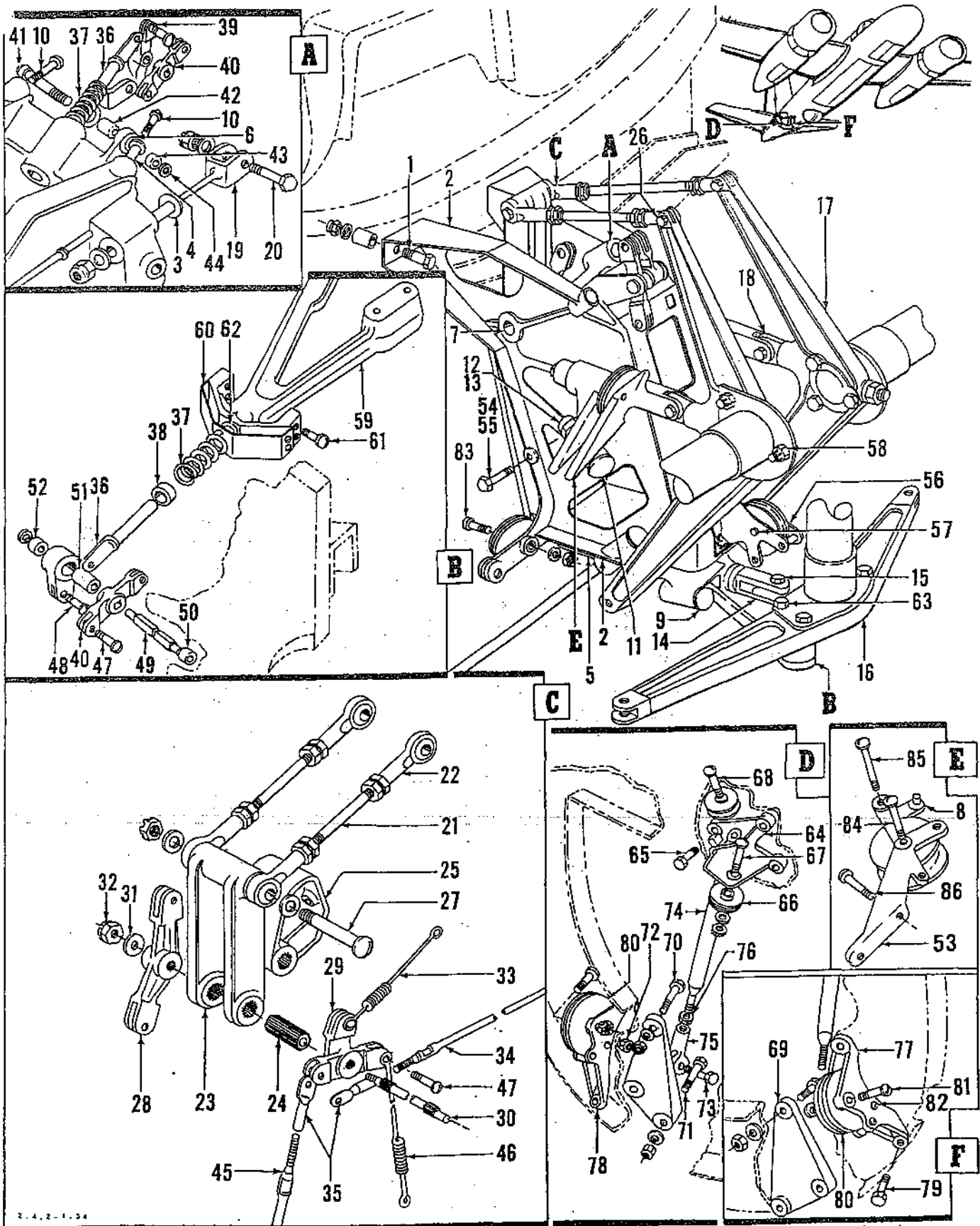


Figure 89. Fuselage Sta 474 Flight Control Installation

Section II

Group Assembly Parts List

T.O. 1B-26B-4

FIGURE & INDEX NO.	PART NO.	DESCRIPTION							UNITS PER ASSY	USABLE ON CODE
		1	2	3	4	5	6	7		
89-	5191282	FLIGHT CONTROL INSTL, Fuselage sta 474 (see figure 88)							Ref	
	5191283	MECHANISM ASSY, Fuselage flight control (ATTACHING PARTS)							1	
-1	AN4-31A	BOLT							2	
	1127610	SPACER, Fuselage instl bolt							2	
	AN960D416	WASHER							2	
	AN960-416L	WASHER							1	
	AN365-428	NUT							2	
-2	5191250	SUPPORT ASSY, Fuselage flight control							1	
-3	1125988	BUSHING, Control horn hinge							3	
-4	1125993	BUSHING, Horn stop							6	
-5	1143076	BUSHING, Surface lock							2	
-6	F503-6	BEARING, Oilite (AXD)							1	
-7	A741-1	BEARING, Oilite (AXD)							1	
-8	1109566-2-8	PIN, Cable guard							4	
-9	1059606-4-27	STOP ASSY, Fine threaded elastic covered							2	
-10	1059606-4-24	STOP ASSY, Fine threaded elastic covered							2	
-11	1059606-4-33	STOP ASSY, Fine threaded elastic covered							2	
-12	AN316-4R	NUT							6	
-13	AN365-428	NUT							6	
-14	2126658	CLEVIS, Rudder horn hinge support							1	
-15	AN310-6	NUT							1	
	5191359	HORN ASSY, Rudder control							1	
	5191360	HORN ASSY, Elevator control							2	
-16	5191359-2	HORN							1	
-17	5191360-2	HORN							2	
-18	AN207D5	BEARING							3	
-19	2126659	CLEVIS, Elevator horn hinge support							2	
	AN365-624	NUT							2	
-20	AN5-14	BOLT							3	
	124682-6S12-065	WASHER							3	
	AN310-5	NUT							3	
	2126665	ROD ASSY, Elevator interconnection							2	
-21	2126665-2	ROD, Elevator interconnection							1	
	AN316-6R	NUT							2	
-22	ARE5	END, Rod (SHA)							2	
	4127433	LINK ASSY, Elevator interconnection idler							1	
-23	4127430	LINK, Elevator interconnection idler							1	
-24	1127600	BEARING, Elevator idler link							1	
-25	2126662	CAM, Elevator surface lock							1	
-26	AN5-21	BOLT							2	
	143908-010S104-062	WASHER							2	
	AN310-5	NUT							2	
-27	AN25-56	BOLT							1	
	143908-010S104-062	WASHER							2	
	AN320-5	NUT							1	
-28	2129327	BELLCRANK, Surface lock actuating							1	
-29	2126663	CRANK, Control surface lock actuating							1	
-30	2129266	SHAFT, Elevator idler link							1	
-31	143908-010S104-062	WASHER							1	
-32	AN310-5	NUT							1	
-33	1125981-2	SPRING, Control surface lock tension							1	
-34	1127601	ROD, Elevator surface lock							1	
-35	1127602	EYE, Special 8-36 female thread							2	
-36	1125983	BOLT, Control surface locking							2	
-37	1125982	SPRING, Control surface lock compression							2	
-38	1127607	SPACER, Control surface locking bolt							2	
-39	1125998	LEVER, Elevator surface lock actuating							2	
-40	1125995	LEVER, Surface lock actuating idler							2	
-41	1127604	SHAFT ASSY, Elevator surface lock							1	
-42	1127606	SPACER, Elevator lock bearing							1	
-43	1127605	SPACER, Surface lock bearing							2	
-44	124682-4S10-062	WASHER							2	
-45	1159579	ROD, Rudder surface lock							1	
-46	1125981-3	SPRING, Control surface lock tension							1	
-47	AN23-9	BOLT							8	
	AN310-3	NUT							8	
-48	AN23-10	BOLT							2	
	AN310-3	NUT							2	
-49	1127608	SHAFT ASSY, Rudder surface lock							1	
	1127605	SPACER, Surface lock bearing							1	
-50	124682-4S10-062	WASHER							1	
-51	2033901-7S359-106	SPACER							1	
-52	1127605	SPACER, Surface lock bearing							2	
-53	3208268	BRACKET ASSY, Fuselage elevator trim tab upper LH							1	
	3208268-1	BRACKET ASSY, Fuselage elevator trim tab upper RH (ATTACHING PARTS)							1	
-54	AN3-10A	BOLT							2	
	AN960D10	WASHER							2	
	AN365-1032	NUT							2	
-55	AN3-13A	BOLT							2	
	AN960D10	WASHER							2	
	AN365-1032	NUT							2	

FIGURE & INDEX NO.	PART NO.	1	2	3	4	5	6	7	DESCRIPTION	UNITS PER ASSY	USABLE ON CODE
89-56	2193605								BRACKET ASSY, Rudder trim pulley (ATTACHING PARTS)	1	
-57	AN3-7A AN960D10 AN365-1032								BOLT WASHER NUT	4 4 4	
-58	AN4-15 AN960D416 AN310-4								BOLT WASHER NUT	6 6 6	
-59	5159550								HORN ASSY, Rudder surface lock	1	
-60	1125994								STRIP, Rudder surface lock rub	1	
-61	AN500A6-5								SCREW	4	
-62	1128701								BUSHING, Rudder surface lock	1	
-63	AN4-27 AN310-4								BOLT NUT	4 4	
-64	4129584								BRACKET, Fuselage control lock pulley (ATTACHING PARTS)	1	
-65	AN3-11A AN 50D10 AN365-1032								BOLT WASHER NUT	3 3 3	
-66	AN210-1A								PULLEY	2	
-67	AN23-14 124682-3S16-062 AN960D10								BOLT WASHER WASHER	1 1 1	
-68	AN320-3 AN23-16 124682-3S16-062 AN960D10								NUT BOLT WASHER WASHER	1 1 1 1	
-69	AN320-3 4190392 4190392-1								NUT BRACKET ASSY, Rod attachment LH BRACKET ASSY, Rod attachment RH (ATTACHING PARTS)	1 1 1	
-70	AN3-10A AN960-10L AN365-1032								BOLT WASHER NUT	1 1 1	
-71	AN3-13A AN960-10L AN365-1032								BOLT WASHER NUT	2 2 2	
	2159581								ROD ASSY, Fuselage flight control support (ATTACHING PARTS)	2	
-72	AN365-524 AN960-516L								NUT WASHER	1 1	
-73	AN5-7A AN364-524								BOLT NUT	1 1	
-74	2159581-4								ROD ASSY, Fuselage flight control support	1	
-75	1127609								CLEVIS, Special thread 5/16-in.	1	
-76	AN316-5R								NUT	1	
-77	4208269								BRACKET, Fuselage elevator trim tab	1	
-78	4208269-1								BRACKET, Fuselage elevator trim tab (ATTACHING PARTS)	1	
-79	AN3-7A AN960D10 AN365-1032								BOLT WASHER NUT	2 2 2	
-80	AN210-2A								PULLEY	10	
-81	AN23-20 AN960-10L AN320-3								BOLT WASHER NUT	2 2 2	
-82	143358-027								PIN, Pulley guard plain	4	
-83	AN23-22 AN960D10 124682-3S16-062								BOLT WASHER WASHER	2 2 2	
-84	AN320-3 AN23-19 AN960D10								NUT BOLT WASHER	2 2 2	
-85	AN320-3 AN23-32 AN960D10								NUT BOLT WASHER	2 2 2	
-86	AN320-3 AN23-17 AN960D10 AN320-3								NUT BOLT WASHER NUT	2 1 1 1	

Section II
Group Assembly Parts List

T.O. 1B-26B-4
FUSELAGE

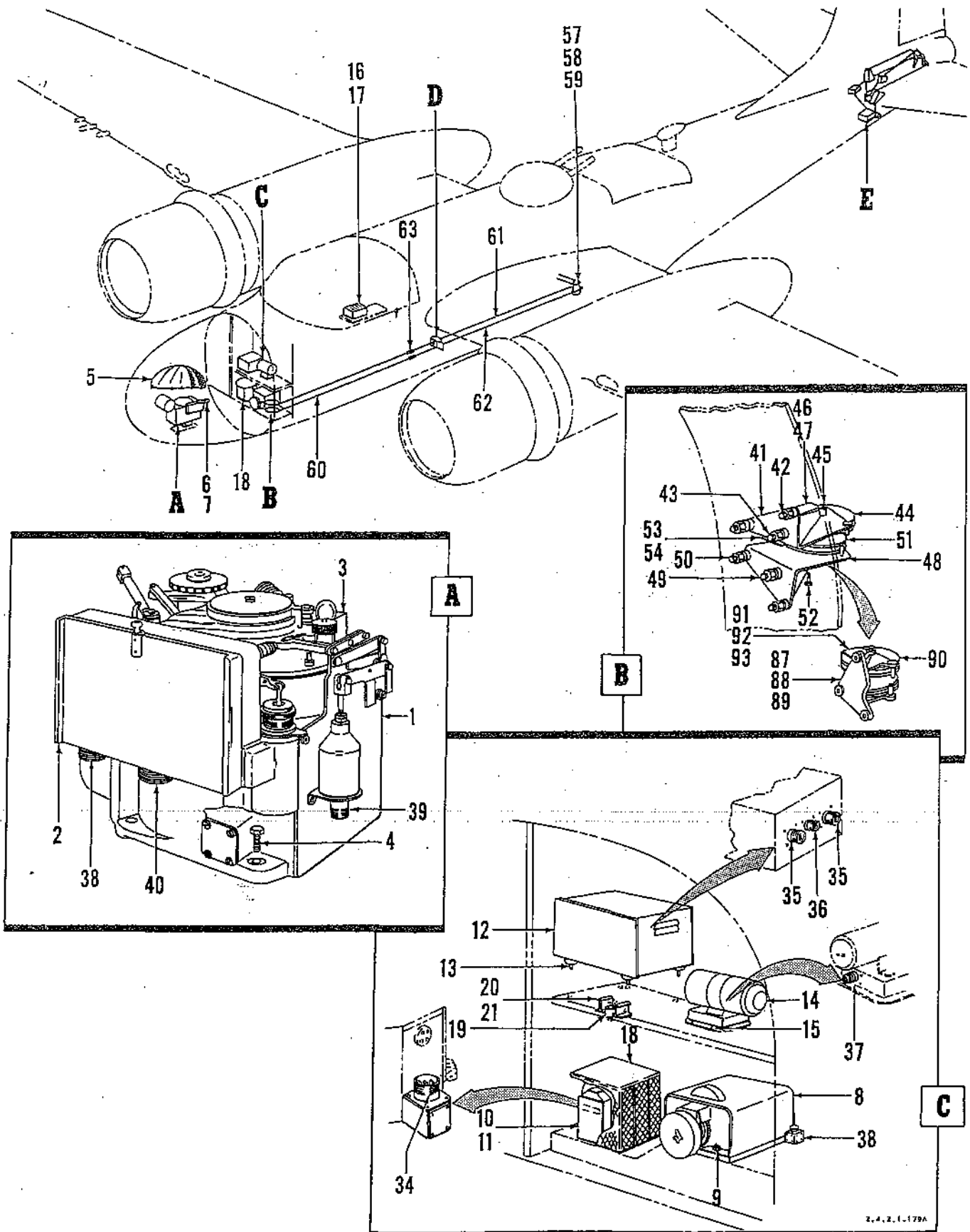


Figure 90. Automatic Pilot Installation (Sheet 1 of 2)

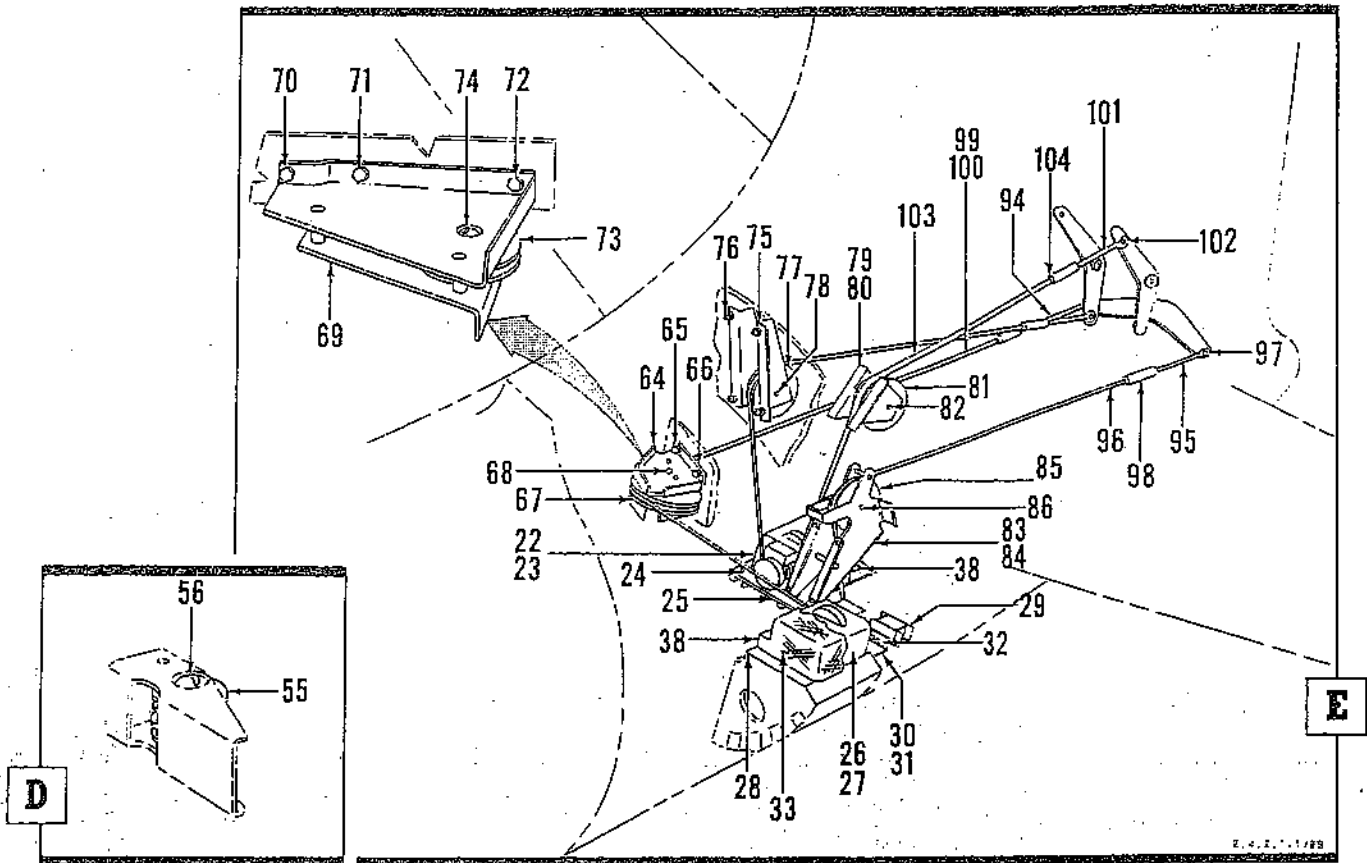


Figure 90. Automatic Pilot Installation (Sheet 2 of 2)

FIGURE & INDEX NO.	PART NO.	DESCRIPTION							UNITS PER ASSY	USABLE ON CODE
		1	2	3	4	5	6	7		
90-	5201479	AUTOMATIC PILOT INSTL (See figure 40)							Ref	A,B
	5201499	AUTOMATIC PILOT INSTL, Bombardiers nose							1	A,B
-1	G1029A2	LOCK, Directional arm (MH) (GFP)							1	A,B
-2	G1005A	PANEL, Directional (MH) (GFP)							1	A,B
-3	G1048A	STABILIZER, Directional (MH) (GFP)							1	A,B
		(ATTACHING PARTS)								
-4	AN3-7	BOLT							3	A,B
		COVER, Electrically heated bombsight type A1 (GFP)							1	A,B
-5	7526	RECEPTACLE (HBCO)							1	A,B
-6	AN530-4	SCREW							2	A,B
-7	A1776M1	NUT (TIN)							2	A,B
	5201496	AUTOMATIC PILOT INSTL, Fuselage section forward							1	A,B
-8	G1020A5	MOTOR, Servo aileron (MH) (GFP)							1	A,B
		(ATTACHING PARTS)								
-9	AN3-14	BOLT							4	A,B
	AN935-10	WASHER							4	A,B
	AN960D10	WASHER							4	A,B
	AN365-1032	NUT							4	A,B
-10	G1021A2	GYRO, Vertical flight (MH) (GFP)							1	A,B
		(ATTACHING PARTS)								
-11	AN3-14	BOLT							4	A,B
	AN935-10	WASHER							4	A,B
	AN960D10	WASHER							4	A,B
-12	G1024A	AMPLIFIER (MH) (GFP)							1	A,B
		(ATTACHING PARTS)								
-13	AN3-14	BOLT							4	A,B
	AN935-10	WASHER							4	A,B
	AN960D10	WASHER							4	A,B
	AN365-1032	NUT							4	A,B
-14	G1025A	INVERTER, Rotary (MH) (GFP)							1	A,B

Section II
Group Assembly Parts List

T.O. 1B-26B-4

FIGURE & INDEX NO.	PART NO.	1	2	3	4	5	6	7	DESCRIPTION	UNITS PER ASSY	USABLE ON CODE
									(ATTACHING PARTS)		
90-15	AN520-10-10								SCREW	4	A,B
	AN935-10								WASHER	4	A,B
	AN960D10								WASHER	4	A,B
	AN365-1032								NUT	4	A,B
-16	G1047								PANEL, Automatic pilot control (MH) (GFP)	1	A,B
									(ATTACHING PARTS)		
-17	AN3-14								BOLT	4	A,B
	AN935-10								WASHER	4	A,B
	AN960D10								WASHER	4	A,B
-18	PK1A1								COVER, Electrically heated automatic pilot (MH) (GFP)	1	A,B
-19	9200								RECEPTACLE (HECO)	1	A,B
-20	2201500								SUPPORT, Automatic pilot heat receptacle	2	A,B
-21	AN515-8-8								SCREW	8	A,B
	AN960D8								WASHER	8	A,B
	AN365-832								NUT	8	A,B
	5201481								AUTOMATIC PILOT INSTL, Fuselage section aft	1	A,B
-22	G1020A13								UNIT, Servo (MH) (GFP)	1	A,B
									(ATTACHING PARTS)		
-23	AN3-14								BOLT	6	A,B
	AN935-10								WASHER	6	A,B
-24	3201482								SUPPORT ASSY, Elevator servo motor	1	A,B
									(ATTACHING PARTS)		
-25	AN3-3								BOLT	8	A,B
	AN960D10								WASHER	8	A,B
	AN365-1032								NUT	8	A,B
-26	G1020A12								UNIT, Servo (MH) (GFP)	1	A,B
									(ATTACHING PARTS)		
-27	AN3-14								BOLT	6	A,B
	AN935-10								WASHER	6	A,B
	AN365-1032								NUT	6	A,B
-28	5201480								SUPPORT ASSY, Rudder servo motor	1	A,B
-29	9200								RECEPTACLE (HECO)	1	A,B
-30	2201500								SUPPORT, Automatic pilot heat receptacle	2	A,B
-31	AN515-8-7								SCREW	4	A,B
	AN960D8								WASHER	4	A,B
	AN365-832								NUT	4	A,B
-32	AN515-8-9								SCREW	4	A,B
	AN960D8								WASHER	4	A,B
	AN365-832								NUT	4	A,B
-33	PK1A1								COVER, Electrically heated automatic pilot (MH) (GFP)	2	A,B
	5201502								AUTOMATIC PILOT INSTL, Electrical	1	A,B
-34	AN3108-20-1S								CONNECTOR	1	A,B
	AN3057-12								ADAPTER	1	A,B
-35	AN3106-20-1S								CONNECTOR	2	A,B
	AN3057-12								ADAPTER	2	A,B
-36	AN3106-16S1S								CONNECTOR	1	A,B
	AN3057-8								ADAPTER	1	A,B
-37	AN3106-14S5S								CONNECTOR	1	A,B
	AN3057-6								ADAPTER	1	A,B
-38	AN3108-16S1S								CONNECTOR	4	A,B
	AN3057-8								ADAPTER	4	A,B
-39	AN3108-10S2S								CONNECTOR	1	A,B
	AN3057-3								ADAPTER	1	A,B
-40	AN3108-14S1S								CONNECTOR	1	A,B
	AN3057-6								ADAPTER	1	A,B
-41	5201484								AUTOMATIC PILOT INSTL, Cable control	1	A,B
	4201485								BRACKET ASSY	1	A,B
									(ATTACHING PARTS)		
-42	AN3-7A								BOLT	1	A,B
	AN960D10								WASHER	1	A,B
	AN365-1032								NUT	1	A,B
-43	AN3-10A								BOLT	2	A,B
	AN960D10								WASHER	2	A,B
	AN365-1032								NUT	2	A,B
-44	AN210-4A								PULLEY	1	A,B
-45	AN4-15								BOLT	1	A,B
	AN960D4								WASHER	1	A,B
	AN310-4								NUT	1	A,B
-46	1201504								GUARD	1	A,B
-47	NAS427K14								PIN (Formerly I43358-028)	2	A,B
-48	4201498								BRACKET ASSY	1	A,B
									(ATTACHING PARTS)		
-49	AN3-7A								BOLT	1	A,B
	AN960D10								WASHER	1	A,B
	AN365-1032								NUT	1	A,B
-50	AN3-10A								BOLT	2	A,B
	AN960D10								WASHER	2	A,B
	AN365-1032								NUT	2	A,B
-51	AN210-4A								PULLEY	1	A,B

FIGURE & INDEX NO.	PART NO.	1	2	3	4	5	6	7	DESCRIPTION	UNITS PER ASSY	USABLE ON CODE
90-52	AN4-15								BOLT	1	A,B
	AN960D4								WASHER	1	A,B
	AN310-4								NUT	1	A,B
-53	1201504								GUARD	1	A,B
-54	NAS427K14								PIN (Formerly 143358-028)	2	A,B
	4128262								FLIGHT CONTROL INSTL, Auxiliary	1	A,B
-55	AN210-3A								PULLEY	2	A,B
-56	AN24-36								BOLT	1	A,B
	NAS43DD4-56								SPACER (formerly 117425-04D028)	1	A,B
	AN320-4								NUT	1	A,B
	5129938								FLIGHT CONTROL INSTL, Auxiliary	1	A,B
-57	AN210-4A								PULLEY	2	A,B
-58	AN24-29								BOLT	1	A,B
	AN320-4								NUT	1	A,B
-59	AN24-31								BOLT	1	A,B
	AN320-4								NUT	1	A,B
-60	2074408-11-11-11912								CABLE ASSY	1	A,B
-61	2201491-2								CABLE ASSY, Right wing down	1	A,B
-62	2201491-4								CABLE ASSY, Left wing down	1	A,B
-63	AN155-32S								BARREL	2	A,B
-64	4201490								BRACKET ASSY (ATTACHING PARTS)	1	A
-65	AN3-4A								BOLT	2	A
	AN960D10								WASHER	2	A
	AN365-1032								NUT	2	A
-66	AN3-5A								BOLT	2	A
	AN960D10								WASHER	2	A
	AN365-1032								NUT	2	A
-67	AN210-4A								PULLEY	1	A
-68	AN24-15								BOLT	1	A
	AN960D416								WASHER	1	A
	AN320-4								NUT	1	A
-69	4201520								BRACKET ASSY (ATTACHING PARTS)	1	B
-70	AN3-4A								BOLT	2	B
	AN960D10								WASHER	2	B
	AN365-1032								NUT	2	B
-71	AN3-5A								BOLT	2	B
	AN960D10								WASHER	2	B
	AN365-1032								NUT	2	B
-72	AN3-6A								BOLT	1	B
	AN960D10								WASHER	1	B
	AN365-1032								NUT	1	B
-73	AN210-4A								PULLEY	1	B
-74	AN24-15								BOLT	1	B
	AN960D416								WASHER	1	B
	AN320-4								NUT	1	B
-75	4201492								BRACKET ASSY (ATTACHING PARTS)	1	A,B
-76	AN3-5A								BOLT	4	A,B
	AN960D10								WASHER	4	A,B
	AN365-1032								NUT	4	A,B
-77	AN210-4A								PULLEY	1	A,B
-78	AN24-15								BOLT	1	A,B
	AN960D416								WASHER	1	A,B
	AN320-4								NUT	1	A,B
-79	4201493								BRACKET ASSY (ATTACHING PARTS)	1	A,B
-80	AN3-5A								BOLT	4	A,B
	AN960D10								WASHER	4	A,B
	AN365-1032								NUT	4	A,B
-81	AN210-4A								PULLEY	1	A,B
-82	AN24-15								BOLT	1	A,B
	AN960D416								WASHER	1	A,B
	AN320-4								NUT	1	A,B
-83	4201489								BRACKET ASSY (ATTACHING PARTS)	1	A,B
-84	AN3-4A								BOLT	2	A,B
	AN960D10								WASHER	2	A,B
	AN365-1032								NUT	2	A,B
-85	AN210-4A								PULLEY	1	A,B
-86	AN24-15								BOLT	1	A,B
	AN960D416								WASHER	1	A,B
	AN320-4								NUT	1	A,B
-87	3201434								BRACKET ASSY (ATTACHING PARTS)	1	A,B
-88	AN4-12A								BOLT	2	A,B
	AN960D416								WASHER	2	A,B
	AN365-428								NUT	2	A,B
-89	AN4-11A								BOLT	1	A,B
	AN960D416								WASHER	1	A,B
	AN365-428								NUT	1	A,B

Section II

T.O. 1B-26B-4

Group Assembly Parts List

FIGURE & INDEX NO.	PART NO.	DESCRIPTION							UNITS PER ASSY	USABLE ON CODE
		1	2	3	4	5	6	7		
90-90	AN210-4 A								2	A,B
	AN4-21								2	A,B
	AN960D416								2	A,B
	AN310-4								2	A,B
-91	1201504								2	A,B
-92	143358-104								2	A,B
-93	NAS427K21								2	A,B
-94	2074409-5-10-3200								1	A,B
-95	2074409-5-10-2500								1	A,B
-96	2074408-11-11-10020								1	A,B
-97	AN4-20								2	A,B
	124682-4S16-062								2	A,B
	AN960-416								2	A,B
	AN310-4								2	A,B
-98	AN155-32S								2	A,B
-99	2201486								1	A,B
-100	AN4-20								1	A,B
	124682-4S16-062								1	A,B
	AN960-416								1	A,B
	AN310-4								1	A,B
-101	2201487								1	A,B
-102	AN5-25								1	A,B
	143908-010S110-062								1	A,B
	143908-010S104-062								1	A,B
	AN310-5								1	A,B
-103	2074408-11-11-9224								1	A,B
-104	AN155-32S								2	A,B

A USAF 44-35198 thru 44-35557
 B USAF 44-35558 thru 44-36797
 45-17349 thru 45-19342

FUSELAGE

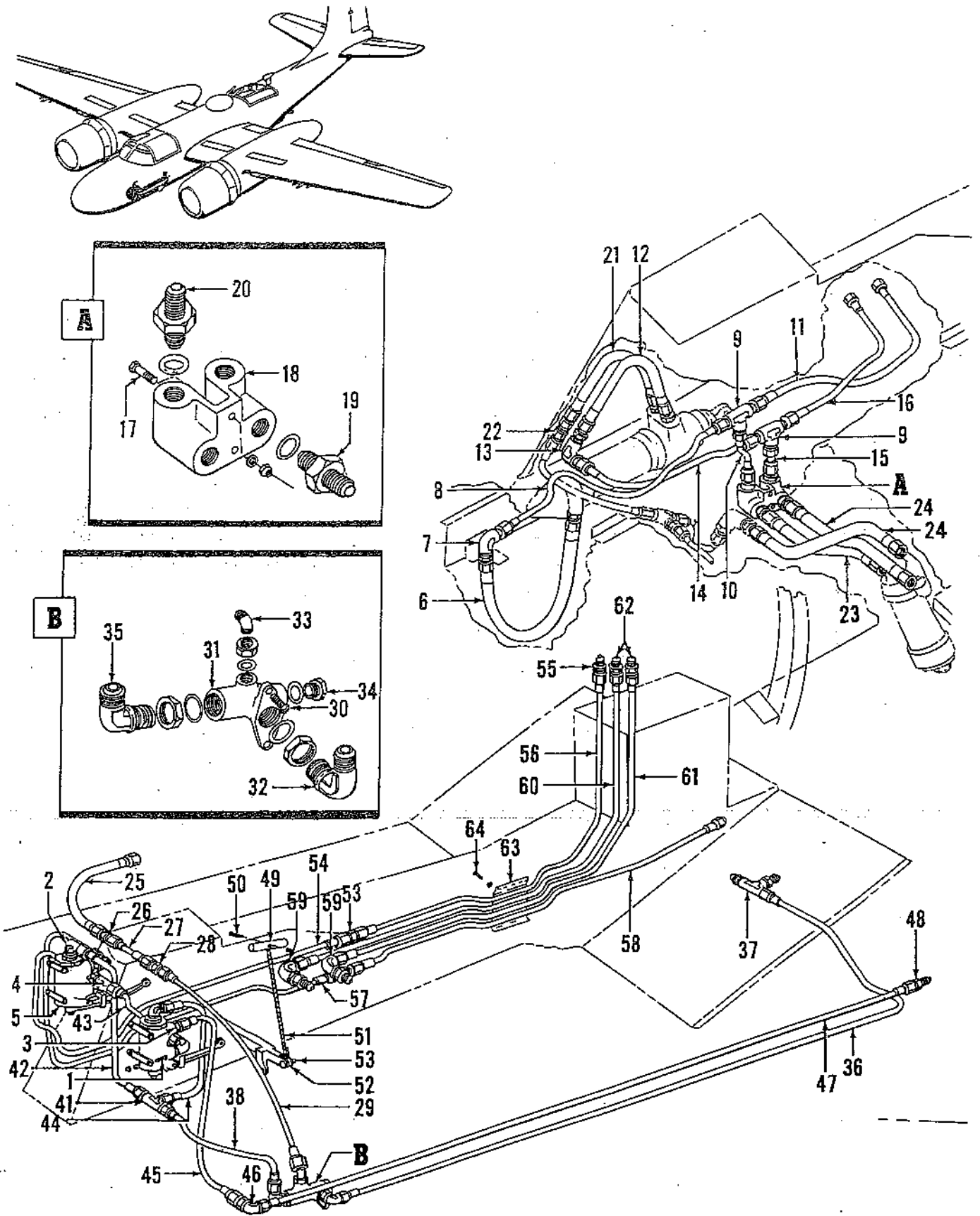


Figure 91. Fuselage Forward Section Hydraulics Installation

Section II
Group Assembly Parts List

T.O. 1B-26B-4

FIGURE & INDEX NO.	PART NO.	DESCRIPTION							UNITS PER ASSY	USABLE ON CODE
		1	2	3	4	5	6	7		
91-	5122195	HYDRAULIC INSTL, Fuselage forward section (see figure 40)							Ref	
	5122197	VALVE ASSY, Power brake control complete LH							1	A
	5122197-1	VALVE ASSY, Power brake control complete RH							1	A
	5276525	VALVE ASSY, Power brake control complete LH							1	B
	5276625-1	VALVE ASSY, Power brake control complete RH							1	B
	5278792	VALVE ASSY, Power brake control complete LH							1	E
	5278792-1	VALVE ASSY, Power brake control complete RH							1	E
		(ATTACHING PARTS)								
-1	AN3-7A	BOLT							8	
	AN960D10	WASHER							8	
	AN365-1032	NUT							8	
-2	AN833-8D	ELBOW							4	
	AN6290-8	GASKET							4	
	AN924-8D	NUT							4	
-3	AN815-8D	CONNECTOR (Used on LH valve assy only)							1	
	AN6290-8	GASKET (Used on LH valve assy only)							1	
-4	AN834-8D	TEE (Used on RH valve assy only)							1	
	AN6290-8	GASKET (Used on RH valve assy only)							1	
	AN924-8D	NUT							1	
-5	401332	VALVE ASSY, Power brake control (BAV) (part to be in accordance with Douglas Spec drawing number 5123539)							1	A
	401332-0-1	VALVE ASSY, Power brake control (BAV) (part to be in accordance with Douglas Spec drawing number 5276027)							1	B
	405146	VALVE ASSY, Power brake control (BAV) (part to be in accordance with Douglas Spec drawing number 5278793)							1	E
	5205264	EQUIPMENT INSTL, Fuselage hydraulic (see figure 92)							1	C
	5201400	EQUIPMENT INSTL, Fuselage hydraulic (see figure 92)							1	D
	5152178	HYDRAULICS INSTL, Nose wheel							1	
-6	MS28741-6-0160	HOSE ASSY							1	
-7	AN833-6D	ELBOW							1	
	AN924-6D	NUT							1	
-8	4152501-7	LINE ASSY							1	
-9	AN824-6D	TEE							2	
-10	4152501-10	LINE ASSY							1	
-11	4152501-4	LINE ASSY							1	
-12	MS28741-6-0180	HOSE ASSY							1	
-13	AN833-6D	ELBOW							1	
	AN924-6D	NUT							1	
-14	4152501-6	LINE ASSY							1	
-15	4152501-9	LINE ASSY							1	
-16	4152501-3	LINE ASSY							1	
	2151758	CONNECTOR ASSY, Nose wheel door cylinder piping							1	
		(ATTACHING PARTS)								
-17	AN3-5A	BOLT							2	
	AN960D10	WASHER							2	
	AN365-1032	NUT							2	
-18	2151743	CONNECTOR, Nose wheel door cylinder piping							1	
-19	AN815-4D	UNION							2	
	AN6290-4	GASKET							2	
-20	AN815-6D	UNION							2	
	AN6290-6	GASKET							2	
-21	MS28741-4-0180	HOSE ASSY							1	
-22	AN832-4D	UNION							1	
	AN924-4D	NUT							1	
-23	MS28741-4-0140	HOSE ASSY							1	
-24	MS28741-4-0154	HOSE ASSY							2	
-25	MS28741-4-0160	HOSE ASSY							1	
-26	2126711	SNUBBER ASSY, Hydraulic pressure gage							1	
-27	5158906-4	LINE ASSY							1	
-28	AN815-4D	UNION							1	
-29	5158906-5	LINE ASSY							1	
	2151768	CONNECTOR ASSY, Hydraulic pressure tube							1	
		(ATTACHING PARTS)								
-30	AN520-10-10	SCREW							2	
	AN960D10	WASHER							2	
	AN365-1032	NUT							2	
-31	2151677	CONNECTOR, Hydraulic pressure tube							1	
-32	AN833-8D	ELBOW							1	
	AN6290-8	GASKET							1	
	AN924-8D	NUT							1	
-33	AN837-4D	ELBOW							1	
	AN6290-4	GASKET							1	
	AN924-4D	NUT							1	
-34	AN814-6D	PLUG AND BLEEDER							1	
	AN6290-6	GASKET							1	
-35	AN833-8D	ELBOW							1	
	AN6290-8	GASKET							1	
	AN924-8D	NUT							1	
-36	5158906-9	LINE ASSY							1	
-37	AN834-8D	TEE							1	
	AN924-8D	NUT							1	
-38	54B130633-1	LINE ASSY							1	

FIGURE & INDEX NO.	PART NO.	1	2	3	4	5	6	7	DESCRIPTION	UNITS PER ASSY	USABLE ON CODE
91-39	Deleted										
-40	Deleted										
-41	AN824-8D								TEE	1	
-42	5158906-10								LINE ASSY	1	
-43	5158906-12								LINE ASSY	1	
-44	5158906-11								LINE ASSY	1	
-45	5158906-14								LINE ASSY	1	
-46	AN833-8D								ELBOW	1	
	AN924-8D								NUT	1	
-47	5158906-8								LINE ASSY	1	
-48	AN815-8D								UNION	1	
-49	2206044								HANDLE, Emergency nose wheel release (ATTACHING PARTS)	1	
-50	AN520-10-14								SCREW	1	
	AN365-1032								NUT	1	
-51	2206042								CABLE ASSY, Emergency nose wheel release (ATTACHING PARTS)	1	
-52	2205750								ARM, Release	1	
-53	AN393-13								PIN	1	
	5122196								HYDRAULIC PIPING INSTL, Fuselage pedestal	1	
-54	4152503-6								LINE ASSY	1	
-55	AN815-8D								UNION	3	
-56	4152503-11								LINE ASSY	1	
-57	4152503-8								LINE ASSY	1	
-58	4152503-7								LINE ASSY	1	
-59	AN833-6D								ELBOW	2	
	AN924-6D								NUT	2	
-60	4152503-13								LINE ASSY	1	
-61	4152503-12								LINE ASSY	1	
-62	AN815-6D								UNION	2	
-63	2143083								COVER, Pedestal hydraulic line (ATTACHING PARTS)	1	
-64	AN515-6-20								SCREW	6	
	AN960-6								WASHER	6	
* * *											
A USAF 41-39100 thru 41-39424 C USAF 41-39140 thru 41-39599 43-22252 thru 43-22751 D USAF 43-22302 thru 43-22751 44-35198 thru 44-35386 44-34098 thru 44-36797 B USAF 41-39425 thru 41-39599 E USAF 44-34473 thru 44-34753 44-34098 thru 44-34472 44-35387 thru 44-35996											

Section II
Group Assembly Parts List

T.O. 1B-26B-4
FUSELAGE

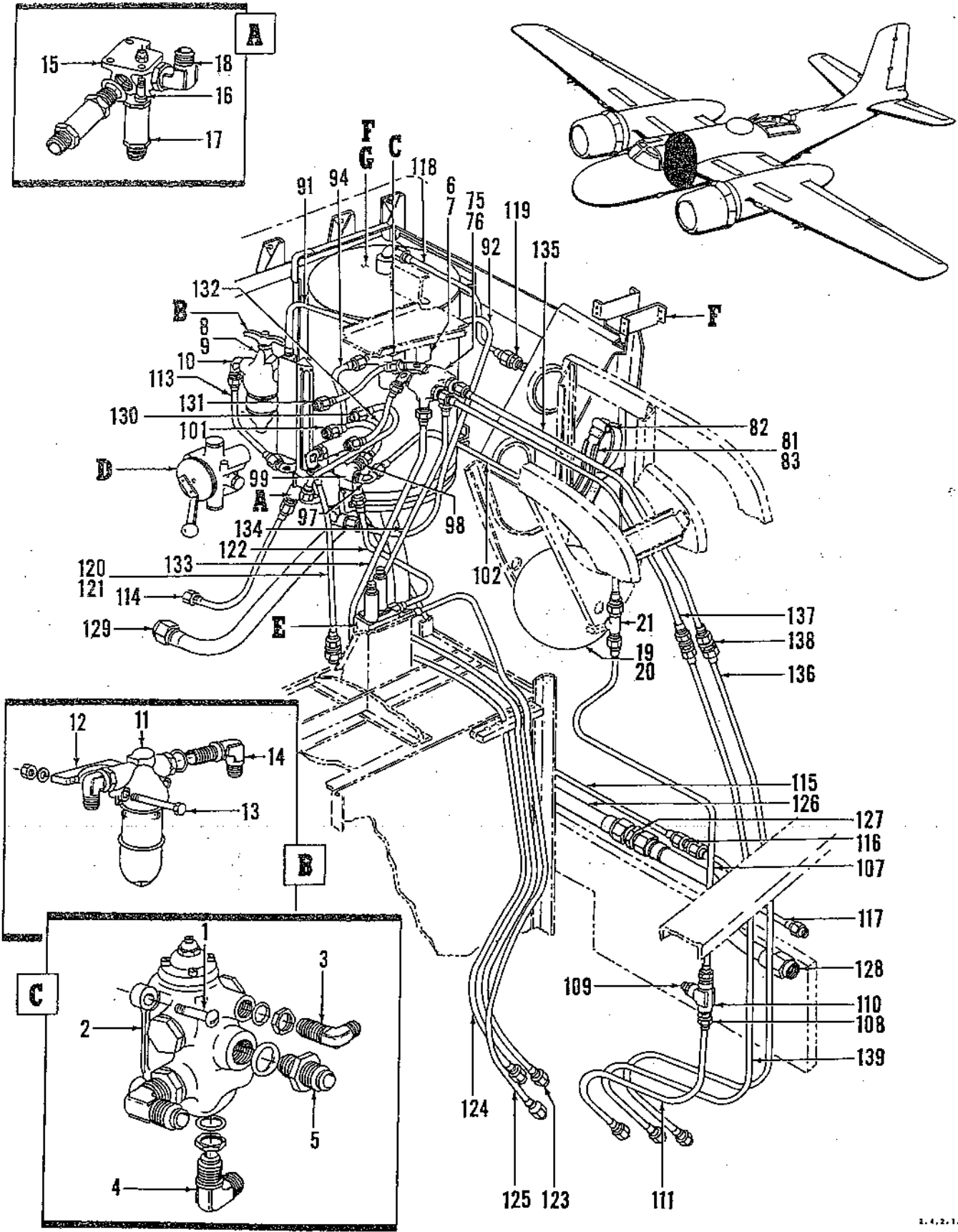


Figure 92. Fuselage Hydraulic Equipment Installation (Sheet 1 of 2)

2.4.2.1-92A

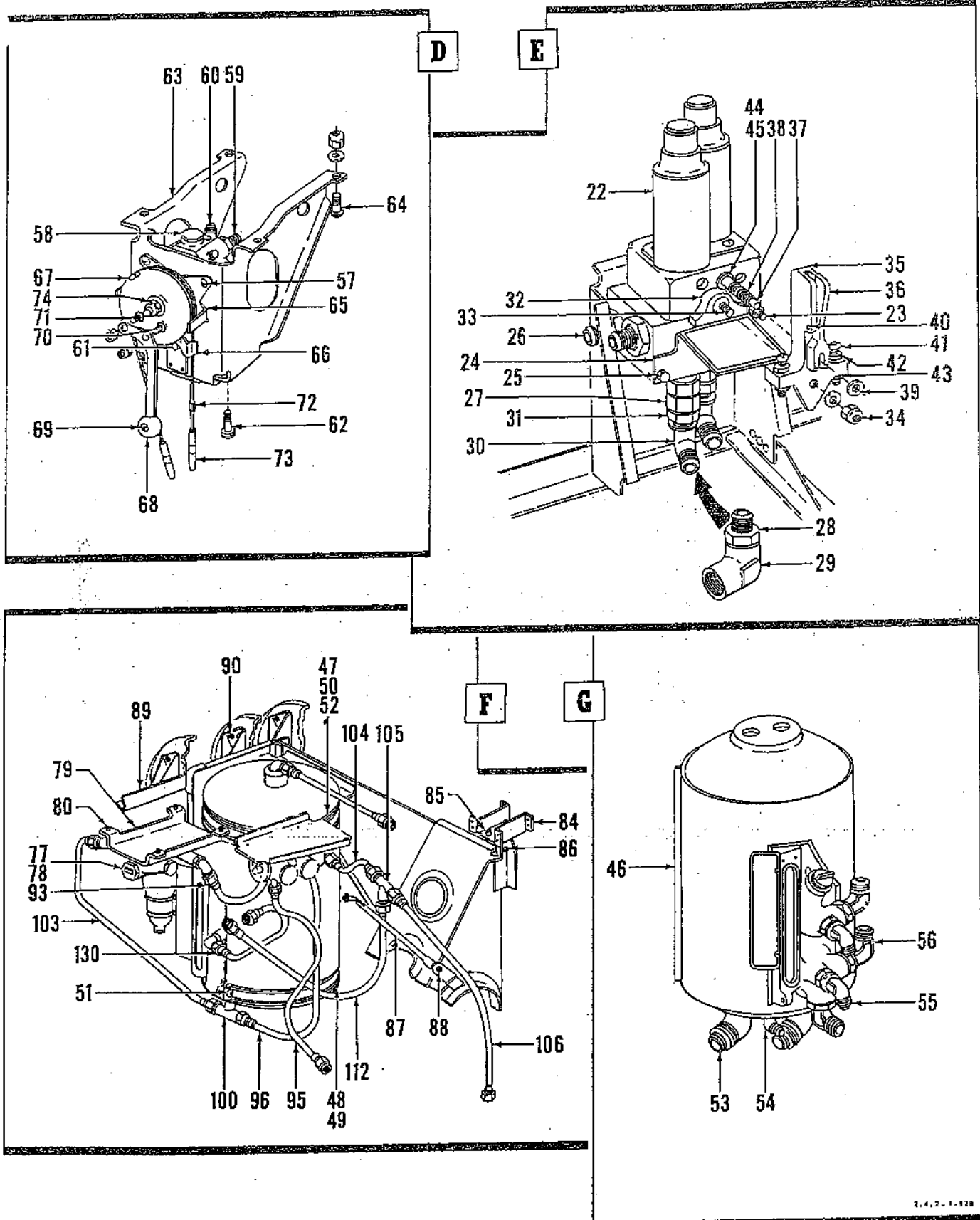


Figure 92. Fuselage Hydraulic Equipment Installation (Sheet 2 of 2)

Section II
Group Assembly Parts List

T. O. 1B-26B-4

FIGURE & INDEX NO.	PART NO.	DESCRIPTION							UNITS PER ASSY	USABLE ON CODE
		1	2	3	4	5	6	7		
92-	5201400	EQUIPMENT INSTL, Fuselage hydraulic (see figure 91)							Ref	C,D
	5205264	EQUIPMENT INSTL, Fuselage hydraulic (see figure 91)							Ref	A,B
	4143543	REGULATOR ASSY, Complete hydraulic pressure (ATTACHING PARTS)							1	C,D
-1	AN520-10-10	SCREW							3	C,D
-2	AN6206-1	REGULATOR							1	C,D
-3	AN833-4D	ELBOW							1	C,D
	AN6290-4	GASKET							1	C,D
-4	AN924-4D	NUT							1	C,D
	AN833-8D	ELBOW							2	C,D
	AN6290-8	GASKET							3	C,D
-5	AN924-8D	NUT							2	C,D
-6	AN815-8D	UNION							1	C,D
-6	5122202	REGULATOR ASSY, Hydraulic pressure (ATTACHING PARTS)							1	A,B
-7	AN520-10-12	SCREW							4	A,B
	4223161	FILTER ASSY, Complete hydraulic pressure line (ATTACHING PARTS)							1	A
-8	AN520-10-10	SCREW							4	A
	AN365-1032	NUT							4	A
-9	26728	FILTER ASSY, Hydraulic pressure line (PUP)							1	A
-10	AN833-8D	ELBOW							2	A
	AN924-8D	NUT							2	A
	AN6290-8	GASKET							2	A
-11	AN6234-3	FILTER							1	B-D
-12	2209271	ADAPTER, Hydraulic pressure line type							1	B-D
-13	AN4-30	BOLT							2	B-D
	AN960-416	WASHER							2	B-D
	AN365-428	NUT							2	B-D
-14	AN833-8D	ELBOW							2	B-D
	AN924-8D	NUT							2	B-D
	AN6209-8	GASKET							2	B-D
-15	2129157	CONNECTOR, Three-way hydraulic tube 1/2-in. OD (ATTACHING PARTS)							1	
-16	AN520-10-10	SCREW							3	
	AN365-1032	NUT							3	
-17	AN6207-8	VALVE							2	
-18	AN833-8D	ELBOW							1	
	AN924-8D	NUT							1	
	AN6290-8	GASKET							3	
	5122203	ACCUMULATOR ASSY, Hydraulic pressure complete (ATTACHING PARTS)							1	
-19	AN520-10-32	SCREW							4	
	AN365-1032	NUT							4	
-20	403714	ACCUMULATOR ASSY, Spherical hydraulic 7-1/2 in. (BAV)							1	
-21	AN834-8D	TEE							1	
	AN924-8D	NUT							1	
	AN6290-8	GASKET							1	
-22	13246	VALVE, Solenoid operating hydraulic four-way bomb door (AP) (ATTACHING PARTS)							1	
-23	AN74-27	BOLT							2	
	AN960-416	WASHER							2	
	AN365-428	NUT							2	
-24	2207082	PLATE							1	
-25	AN74-3	BOLT							2	
-26	AN919-12D	REDUCER							2	
-27	AN893-12D	BUSHING							2	
	AN6290-8	GASKET							4	
-28	AN815-6D	UNION							1	A-D
-29	AN939D6	ELBOW							1	A-D
-30	AN833-6D	ELBOW							2	
	AN6290-6	GASKET							3	A-D
-31	AN924-6D	NUT							2	
-32	1205310	CLUTCH, Solenoid operating hydraulic valve handle							1	
-33	AN555D8-7	SETSCREW							1	
	4205305	HANDLE ASSY, Solenoid operating hydraulic valve emergency							1	A-C
	4276622	HANDLE ASSY, Solenoid operating hydraulic valve emergency (ATTACHING PARTS)							1	D
-34	AN364-428	NUT							1	
	AN960D416L	WASHER							1	
-35	2205305	HANDLE, Solenoid operating hydraulic valve emergency							1	A-C
	4276621	HANDLE, Solenoid operating hydraulic valve emergency							1	D
-36	2205307	HANDLE, Solenoid operating hydraulic valve detent release							1	A-C
	4276663	HANDLE, Solenoid operating hydraulic valve detent release offset							1	D

FIGURE & INDEX NO.	PART NO.	DESCRIPTION							UNITS PER ASSY	USABLE ON CODE
		1	2	3	4	5	6	7		
92-37	1205309								1	
-38	1205308								1	
-39	1205318								1	
-40	146142-125-018								1	
-41	AN520-10R14								2	A-C
	AN520-10R16								2	D
-42	AN315-3R								2	
-43	AN365-1032								2	
-44	1026614-4-010								1	
-45	AN364-428								1	
-46	5122204								1	
-47	4191131-32								1	
-48	4191131-34								1	
-49	4191131-30								2	
										(ATTACHING PARTS)
-50	AN520-10-24								4	
	AN365-1032								4	
-51	AN520-10-30								2	
	AN365-1032								2	
-52	AN320-10-40								1	
	AN365-1032								1	
-53	AN837-16D								2	
	AN6290-16								2	
	AN924-16D								2	
-54	AN833-4D								1	
	AN6290-4								1	
	AN924-4D								1	
-55	AN837-6D								2	
	AN6290-5								2	
	AN924-6D								2	
-56	AN833-8D								3	
	AN6290-8								3	
	AN924-8D								3	
	5143549								1	C,D
	5193057								1	A,B
	4127438								1	C,D
	4143753								1	A,B
										(ATTACHING PARTS)
-57	AN520-10-36								4	
	AN365-1032								4	
-58	401481								1	
-59	AN815-8D								AR	
	AN6290-8								AR	
-60	AN837-8D								1	C,D
	AN6290-8								1	C,D
	AN924-8D								1	C,D
-61	4369								1	
										(ATTACHING PARTS)
-62	AN501-10-6								4	
-63	5193051								1	A,B
	5143555								1	C
	5276541								1	D
										(ATTACHING PARTS)
-64	AN520-10-10								4	
	AN960-10								AR	
	AN365-1032								4	
-65	2192787								1	
-66	2192758								1	
-67	4151240								1	
	4151243								1	
-68	NAS198R093								1	
										(Formerly 2062606-2R3R093)
-69	1057507-1								1	
-70	AN520-10-16								1	A-C
	AN365-1032								1	A-C
-71	AN520-10-14								1	
	AN365-1032								1	
-72	4154040-16								1	
-73	AN155-16S								2	
-74	AN365-428								1	
-75	4193437								1	
										(ATTACHING PARTS)
-76	AN520-10-20								2	
-77	4143552								1	C,D
										(ATTACHING PARTS)
-78	AN520-10-28								4	C,D
	138275-6-72								4	C,D
-79	4143671								1	C,D

Section II

T. O. 1B-26B-4

Group Assembly Parts List

FIGURE & INDEX NO.	PART NO.	DESCRIPTION							UNITS PER ASSY	USABLE ON CODE
		1	2	3	4	5	6	7		
		(ATTACHING PARTS)								
92-80	AN520-10-10								4	C,D
	AN360-1032								4	C,D
	5154981								1	A
	5209346								1	B-D
-81	5154981-44								2	A
	5209346-44								2	B-D
		(ATTACHING PARTS)								
-82	AN520-10-22								2	
	NAS43DD3-20								2	
	AN365-1032								2	
		(ATTACHING PARTS)								
-83	177469N6-400								1	
	2192186								1	
-84	2192186-4								1	
		(ATTACHING PARTS)								
-85	AN520-10-10								4	
		(ATTACHING PARTS)								
-86	AN4-5A								1	
	AN365-428								1	
-87	2195018								1	
		(ATTACHING PARTS)								
-88	AN520-10-12								2	
	AN365-1032								2	
		(ATTACHING PARTS)								
-89	4192814								1	
		(ATTACHING PARTS)								
-90	AN3-4A								8	
	AN960-10								16	
	AN365-1032								8	
		(ATTACHING PARTS)								
-91	5152177-9								1	A,B
	5152177-29								1	C,D
-92	5152177-11								1	A,B
-93	5152177-30								1	C,D
-94	5152177-12								1	A,B
-95	5152177-34								1	C,D
-96	5152177-33								1	C,D
-97	AN833-8D								2	A,B
	AN6290-8								2	A,B
	AN924-8D								2	A,B
-98	AN832-8D								1	A,B
	AN6290-8								1	A,B
	AN924-8D								1	A,B
-99	AN938D8								1	A,B
-100	AN834-8D								1	C,D
-101	5152177-14								1	A,B
-102	5152177-17								1	A,B
-103	5152177-31								1	C,D
-104	5152177-36								1	C,D
-105	AN824-8D								1	C,D
-106	5152177-38								1	C,D
-107	5152177-18								1	
-108	AN815-8D								2	
	AN6290-8								2	
-109	AN919-10D								1	
-110	AN938D8								1	
	AN6290-8								1	
-111	5152177-21								1	
-112	5152177-37								1	C,D
-113	5152177-8								1	
-114	5152177-6								1	
-115	5152177-7								1	
-116	AN815-8D								1	
-117	5152177-24								1	
-118	5152177-44								1	
-119	AN815-4D								1	
	AN6290-4								1	
-120	5152177-10								1	A,B
-121	5152177-35								1	C,D
-122	5152177-43								1	A-C
	5152177-48								1	D
-123	5152177-41								1	A-C
	5152177-46								1	A,B,D
-124	5152177-40								1	A-C
	5152177-45								1	D
-125	5152177-42								1	A-C
	5152177-47								1	D
-126	5152177-2								1	
-127	AN815-16D								1	
-128	5152177-3								1	
-129	5152177-1								1	C,D
-130	5152177-23								1	A,B
	5152177-39								1	C,D

FIGURE & INDEX NO.	PART NO.	1 2 3 4 5 6 7 DESCRIPTION	UNITS PER ASSY	USABLE ON CODE
92-131	S152177-22	LINE ASSY	1	
-132	S152177-13	LINE ASSY	1	
-133	S152177-5	LINE ASSY	1	
-134	S152177-4	LINE ASSY	1	
-135	S152177-15	LINE ASSY	1	
-136	S152177-20	LINE ASSY	1	
-137	S152177-16	LINE ASSY	1	
-138	AN815-BD	UNION	2	
-139	S152177-19	LINE ASSY	1	
		A USAF 41-3910D thru 41-39499		
		B USAF 41-3950D thru 41-39599		
		C USAF 43-22252 thru 43-22751		
		44-34098 thru 44-34619		
		44-35198 thru 44-36797		
		D USAF 44-34618 thru 44-35197		

Section II
Group Assembly Parts List

T.O. 1B-26B-4
FUSELAGE

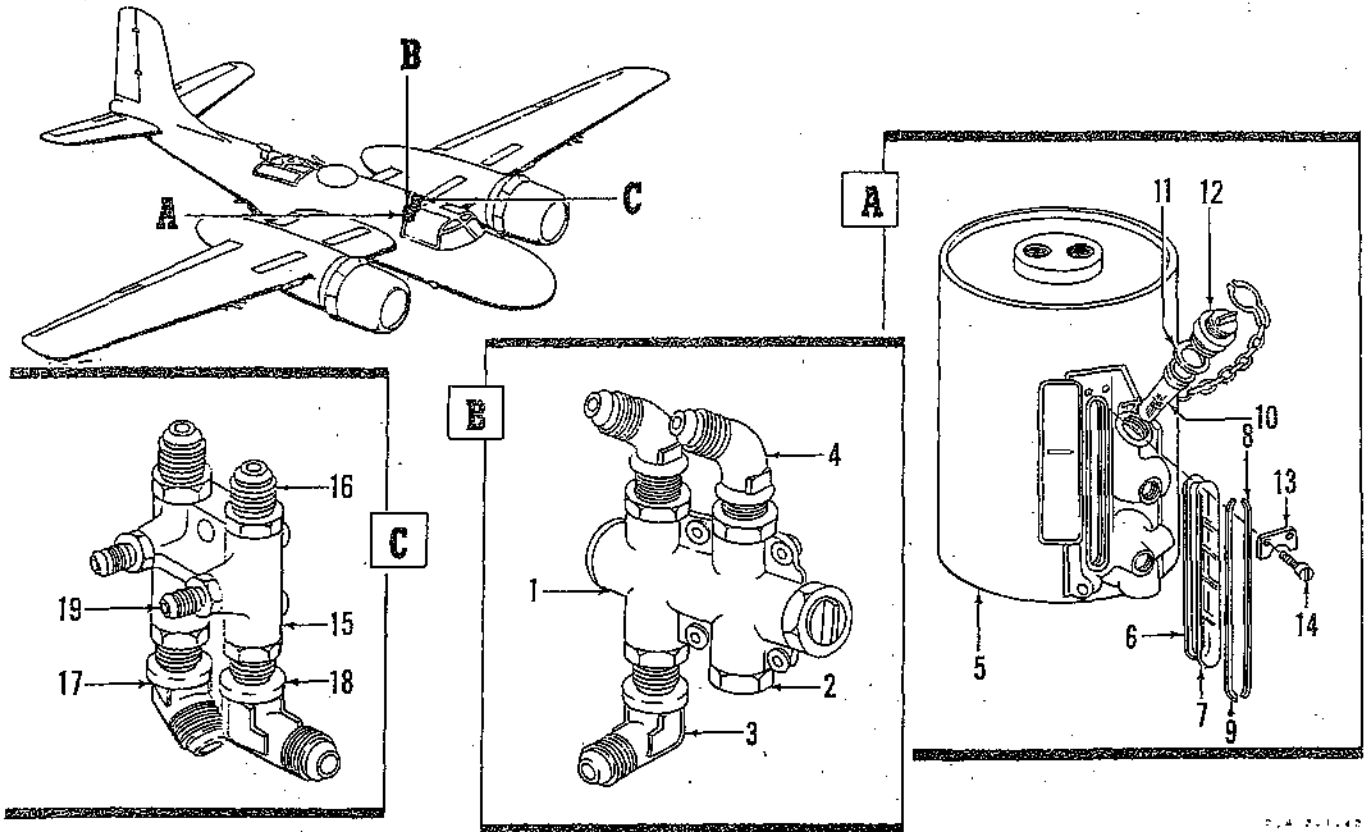


Figure 93. Hydraulic Equipment Details

FIGURE & INDEX NO.	PART NO.	1 2 3 4 5 6 7	DESCRIPTION	UNITS PER ASSY	USABLE ON CODE
93-			HYDRAULIC EQUIPMENT DETAILS		
-1	4143552		VALVE ASSY, Complete hydraulic pressure relief (see figure 92)	Ref	A
-2	AN6200-8AB		VALVE	1	A
-3	AN814-8D		PLUG AND BLEEDER	1	A
-4	AN833-8D		ELBOW	1	A
	AN837-8D		ELBOW	2	A
	AN924-8D		NUT	3	A
	AN6290-8		GASKET	4	A
-5	5122204		RESERVOIR ASSY, Hydraulic (see figure 92)	Ref	A
-6	5122204-8		RESERVOIR ASSY, Hydraulic	1	
-7	1128899		GASKET, Hydraulic reservoir sight gage	1	
-8	2129223		PANEL, Hydraulic reservoir sight gage transparent	1	
-9	1128898		WEDGE, Hydraulic reservoir sight gage panel LH	2	
-10	1128898-1		WEDGE, Hydraulic reservoir sight gage panel RH	2	
-11	2129224		STRAINER ASSY, Hydraulic reservoir filler neck	1	
-12	143908-108SR116-093		GASKET	1	
-13	1152279		CAP ASSY, Hydraulic reservoir filler neck	1	
-14	1128897		CAP, Hydraulic reservoir sight gage	1	
	AN503-8-12		SCREW	2	
	4193437		REDUCER ASSY, Landing gear to nose wheel piping manifold complete (see figure 92)	Ref	
-15	2129377		REDUCER, Landing gear to nose wheel piping manifold	1	
-16	AN815-8D		UNION	2	
-17	AN837-8D		ELBOW	1	
-18	AN833-8D		ELBOW	1	
	AN924-8D		NUT	2	
	AN6290-8		GASKET	4	
-19	AN815-6D		UNION	2	
	AN6290-6		GASKET	2	
			A USAF 43-22252 thru 43-22751 44-34098 thru 44-35996		

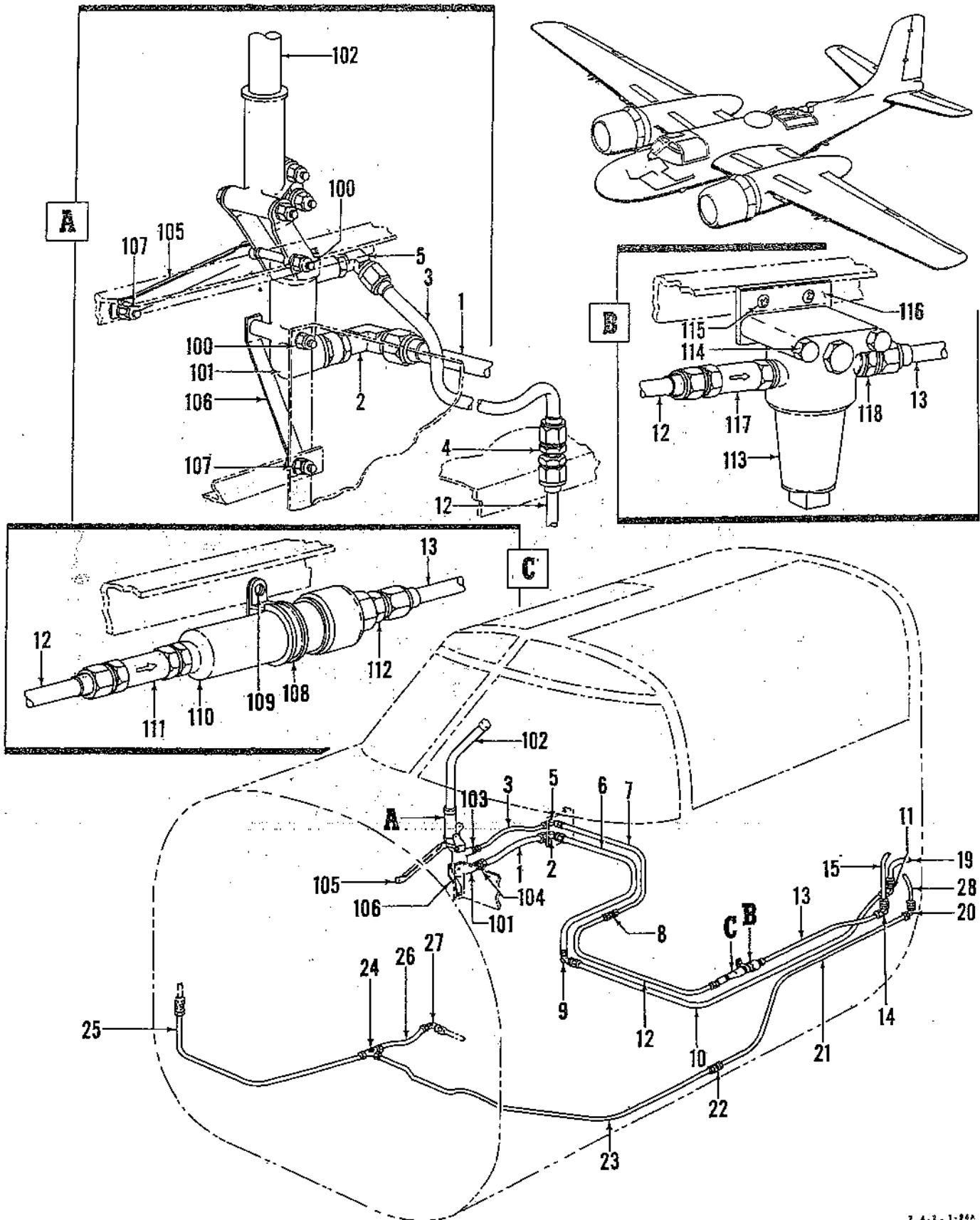
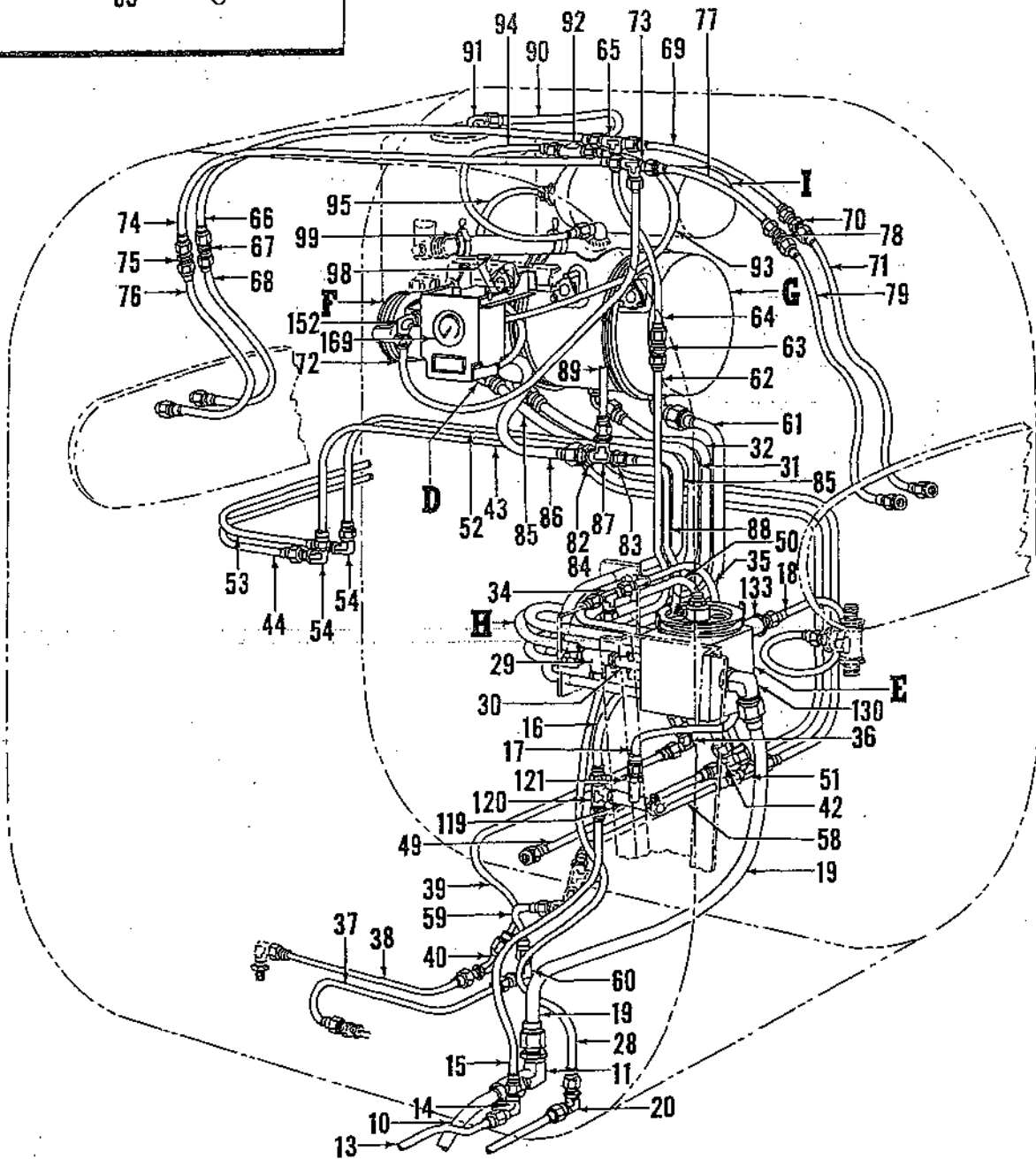
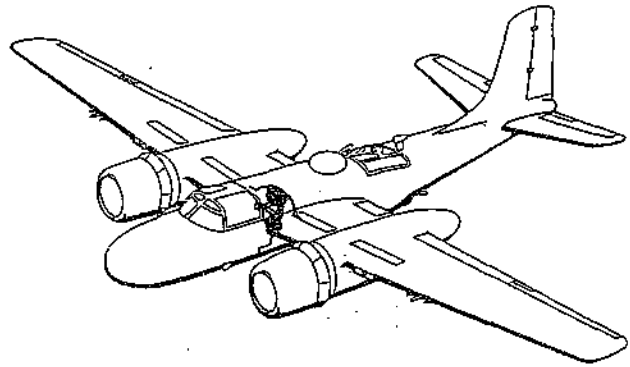
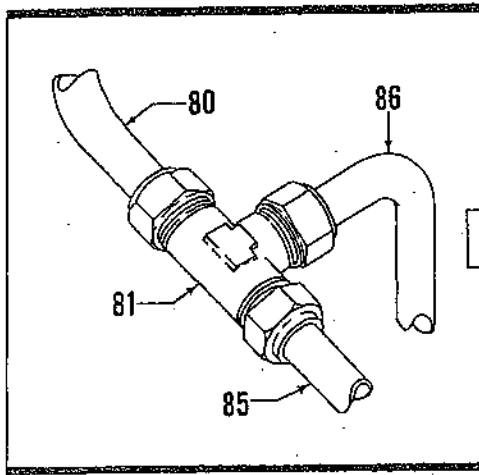


Figure 94. Fuselage Section Emergency Hydraulic System Installation (Sheet 1 of 4)

2.A.2-1-84A

Section II
Group Assembly Parts List

T.O. 1B-26B-4
FUSELAGE



3.4.21.000

Figure 94. Fuselage Section Emergency Hydraulic System Installation (Sheet 2 of 4)

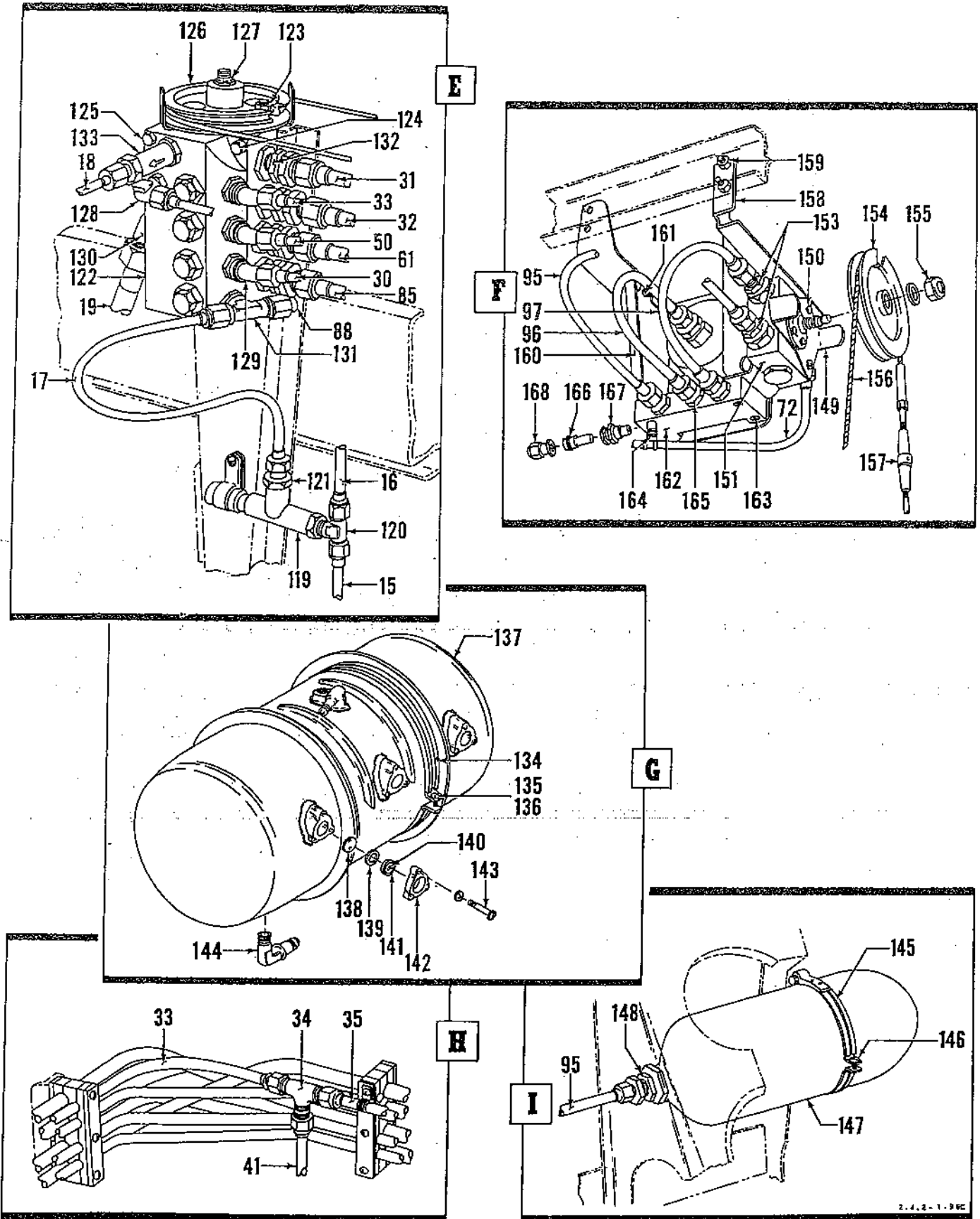


Figure 94. Fuselage Section Emergency Hydraulic System Installation (Sheet 3 of 4)

Section II
Group Assembly Parts List

T.O. 1B-26B-4
FUSELAGE

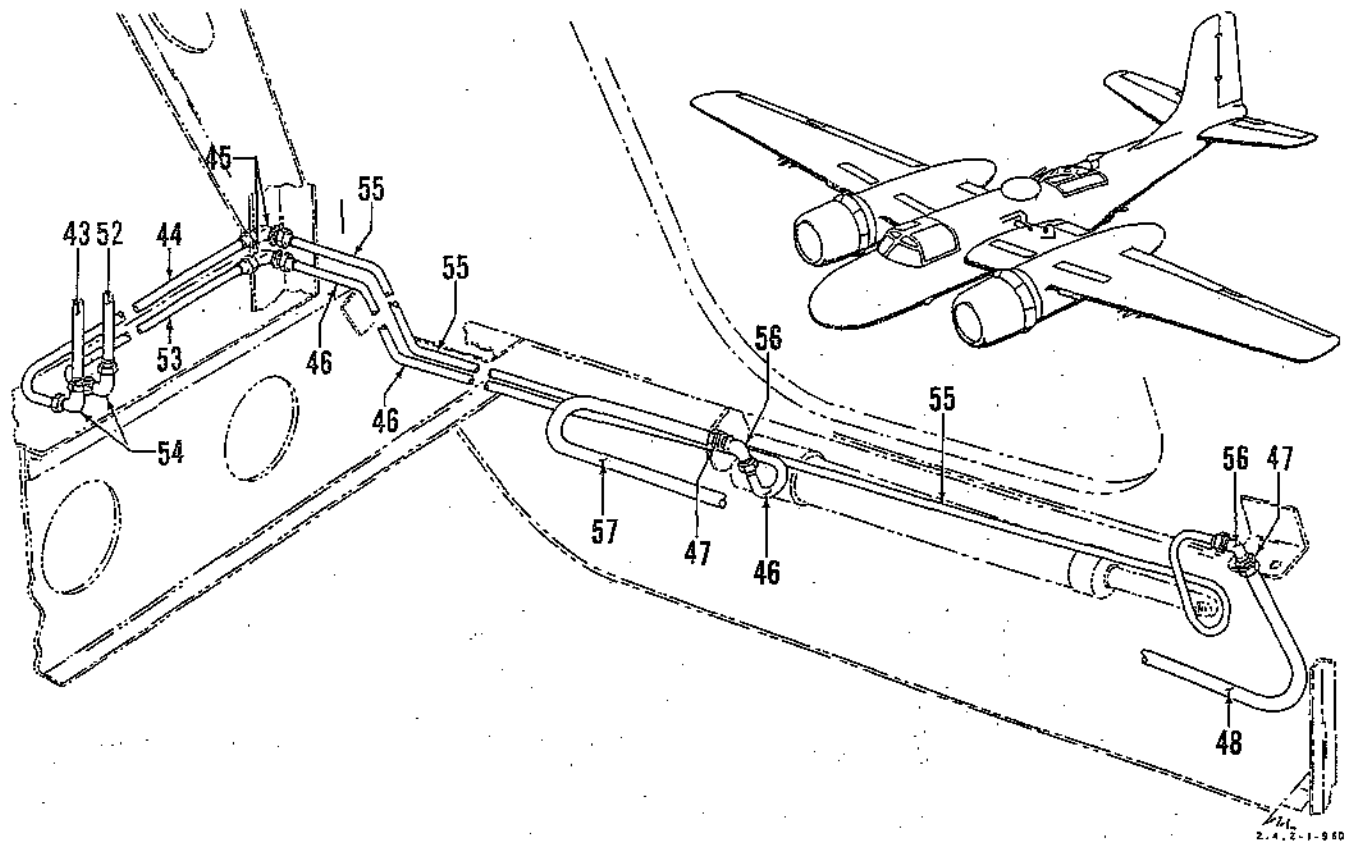


Figure 94. Fuselage Section Emergency Hydraulic System Installation (Sheet 4 of 4)

FIGURE & INDEX NO.	PART NO.	DESCRIPTION							UNITS PER ASSY	USABLE ON CODE
		1	2	3	4	5	6	7		
94-	5122211	HYDRAULIC SYSTEM INSTL, Fuselage section emergency (see figure 40)							Ref	A
	5143556	HYDRAULIC SYSTEM INSTL, Fuselage section emergency (see figure 40)							Ref	B,C
-1	5194616-55	LINE ASSY							1	A
	5194616-104	LINE ASSY							1	B,C
-2	AN833-8D	ELBOW							1	B,C
	AN924-8D	NUT							1	B,C
	AN901-8A	GASKET							1	B,C
-3	5194616-54	LINE ASSY							1	A
	5194616-102	LINE ASSY							1	B,C
-4	AN832-4D	UNION							1	A
	AN924-4D	NUT							1	A
-5	AN833-4D	ELBOW							1	B,C
	AN924-4D	NUT							1	B,C
	AN901-4A	GASKET							1	B,C
-6	5194616-105	LINE ASSY							1	B,C
-7	5194616-103	LINE ASSY							1	B,C
-8	AN815-4D	UNION							1	B,C
-9	AN833-8D	ELBOW							1	B,C
	AN924-8D	NUT							1	
-10	5194616-51	LINE ASSY							1	
-11	AN833-8D	ELBOW							1	
	AN924-8D	NUT							1	
-12	5194616-53	LINE ASSY							1	
-13	5194616-52	LINE ASSY							1	
-14	AN833-4D	ELBOW							1	
	AN924-4D	NUT							1	
-15	5194616-49	LINE ASSY							1	
-16	5194616-46	LINE ASSY							1	
-17	5194616-36	LINE ASSY							1	
-18	5194616-34	LINE ASSY							1	
-19	5194616-48	LINE ASSY							1	
-20	AN833-4D	ELBOW							1	

FIGURE & INDEX NO.	PART NO.	DESCRIPTION							UNITS PER ASSY	USABLE ON CODE
		1	2	3	4	5	6	7		
	AN924-4D									
94-21	5194616-50									
-22	AN815-4D									
-23	5194616-56									
-24	AN834-4D									
	AN924-4D									
-25	5194616-45									
-26	5194616-57									
-27	AN833-4D									
	AN924-4D									
-28	5194616-47									
-29	AN824-4D									
-30	5194616-44									
-31	5194616-38									
-32	5194616-37									
-33	5194616-90									
-34	AN834-4D									
-35	5194616-92									
-36	AN833-4D									
	AN924-4D									
-37	5194616-86									
-38	5194616-94									
-39	5194616-80									
-40	AN837-4D									
	AN924-4D									
-41	5194616-100									
-42	AN834-4D									
	AN924-4D									
-43	5194616-61									
-44	5194616-62									
-45	AN833-4D									
-46	5194616-40									
-47	AN924-4D									
-48	2280598									
	MS28741-4-0210									
-49	5194616-59									
-50	5194616-43									
-51	AN834-4D									
	AN924-4D									
-52	5194616-60									
-53	5194616-63									
-54	AN833-4D									
-55	5194616-41									
-56	AN833-4D									
-57	MS28741-4-0240									
-58	5194616-58									
-59	5194616-82									
-60	AN833-4D									
	AN924-4D									
-61	5194616-39									
-62	5194616-64									
-63	AN815-4D									
-64	5194616-32									
-65	AN824-4D									
-66	5194616-19									
-67	AN815-4D									
-68	5194616-70									
-69	5194616-20									
-70	AN815-4D									
-71	5194616-66									
-72	5194616-23									
-73	AN824-4D									
-74	5194616-21									
-75	AN815-4D									
-76	5194616-72									
-77	5194616-22									
-78	AN815-4D									
-79	5194616-68									
-80	5194616-76									
-81	AN824-6D									
-82	AN919-6D									
-83	AN815-4D									
-84	AN6290-4									
-85	5194616-33									
-86	5194616-74									
-87	AN938D4									
-88	5194616-35									
-89	5194616-34									
-90	5194616-78									
-91	AN833-4D									
	AN924-4D									
	AN6290-4									
-92	AN824-4D									
-93	5194616-26									
-94	5194616-30									
-95	5194616-27									
-96	5194616-25									

B, C
A

Section II

T.O. 1B-26B-4

Group Assembly Parts List

FIGURE & INDEX NO.	PART NO.	1 2 3 4 5 6 7	DESCRIPTION	UNITS PER ASSY	USABLE ON CODE
94-97	5194616-24		LINE ASSY	1	
-98	No Number		HOSE, 3/4 ID by 6 in. long (make from hose Spec MIL-H-6000)	1	
-99	AN737TW34-38 5194748 5194747		CLAMP (formerly AN737-38) PUMP INSTL, Hydraulic hand PUMP ASSY, Complete hydraulic hand (ATTACHING PARTS)	2 1 1	
-100	AN4-30A AN960D416 AN365-428		BOLT WASHER NUT	2 2 2	
-101	D10007-4		PUMP ASSY, Hydraulic hand (AP) (interchangeable with Harvill No. 66-25503)	1	
-102	10019		HANDLE, Hydraulic hand pump (AP) (part to be in accordance with Douglas Spec drawing number 4127503)	1	
-103	AN815-4D		UNION	1	
-104	AN6290-4 AN815-8D AN6290-8		GASKET UNION GASKET	1 1 1	
-105	2129243		BRACE, Hydraulic hand pump upper horizontal	1	
-106	2129244		BRACE, Hydraulic hand pump vertical	1	
-107	AN4-6A AN960D416 AN365-428 2193755		BOLT WASHER NUT FILTER ASSY, Hydraulic handpump pressure check valve (ATTACHING PARTS)	2 2 2 1	D
-108	755-22-2-8		CLIP (AP)	1	D
-109	AN520-10-10 AN365-1032		SCREW NUT	1 1	DD D
-110	26813		FILTER ASSY, Hydraulic hand pump (PUP) (part to be in accordance with Douglas Spec drawing number 2123260)	1	D
-111	AN6207-4 AN6290-4		VALVE GASKET	1 2	D D
-112	AN815-4D		UNION	1	D
-113	AN6234-1		FILTER (ATTACHING PARTS)	1	E
-114	AN4-17A AN365-428		BOLT NUT	2 2	E E
-115	AN520-10R12 AN365-1032		SCREW (Formerly 1027300-10-12) NUT	2 2	E E
-116	2209247		ADAPTER, Hydraulic emergency line filter	1	E
-117	AN6207-4		VALVE	1	E
-118	AN816-4D AN6290-4 2193791		NIPPLE GASKET VALVE ASSY, Hydraulic temperature relief complete	1 2 1	E E E
-119	31023		VALVE ASSY, Hydraulic temperature relief (AI) (part to be in accordance with Douglas Spec drawing number 4193465)	1	
-120	AN834-4D AN6290-4 AN924-4D		TEE GASKET NUT	1 1 1	
-121	AN815-4D AN6290-4		UNION GASKET	1 1	
-122	10078		VALVE ASSY, Emergency hydraulic (AP) (ATTACHING PARTS)	1	
-123	AN3-4A AN365-1032		BOLT NUT	1 1	
-124	AN3-17A AN365-1032		BOLT NUT	1 1	
-125	AN3-26A AN365-1032		BOLT NUT	1 1	
-126	4129545-10		DRUM AND CABLE ASSY, Emergency selector valve (ATTACHING PARTS)	1	
-127	AN365-428 AN960-416		NUT WASHER	1 1	
-128	AN833-4D AN6290-4 AN924-4D		ELBOW GASKET NUT	1 1 1	
-129	AN837-4D AN6290-4 AN924-4D		ELBOW GASKET NUT	3 3 3	
-130	AN833-8D AN6290-8 AN924-8D		ELBOW GASKET NUT	1 1 1	
-131	AN834-4D AN6290-4 AN924-4D		TEE GASKET NUT	1 1 1	
-132	AN815-6D AN6290-6		UNION GASKET	4 4	
-133	AN6207-4		VALVE	1	

FIGURE & INDEX NO.	PART NO.	DESCRIPTION							UNITS PER ASSY	USABLE ON CODE	
		1	2	3	4	5	6	7			
94-	AN6290-4 5128374									1	
										1	
-134	4191131-28									4	
-135	AN520-10-24									4	
	AN365-1032									4	
-136	AN520-10-32									2	
	AN365-1032									2	
-137	5128374-8									1	
-138	1206332									3	
-139	AN6227-15									3	
-140	1127788									3	
-141	1127789									3	
-142	1127787									3	
-143	AN503-8-12									9	
	AN960D8									9	
-144	AN833-6D									3	
	AN6290-6									6	
	AN924-6D									3	
	2126508									1	
-145	5154981-44									2	
-146	AN520-10-24									1	
	AN365-1032									1	
-147	2126500									1	
-148	AN832-4D									1	
	AN6290-4									1	
	AN924-4D									1	
-149	2151667									1	
	2126782									1	
-150	AN501C10-24									3	
	AN365-1032									3	
-151	402246									1	
-152	AN833-4D									1	
	AN6290-4									1	
	AN924-4									1	
-153	AN815-4D									2	
	AN6290-4									2	
-154	4151251									1	
-155	AN364-1032									1	
	AN960-10									1	
-156	4154040-18									1	
-157	AN155-16S									2	
-158	2202807									1	
	2202807-1									1	
-159	AN520-10-10									1	
	AN365-1032									1	
-160	5193032									1	
-161	PK114Z10-7									4	
-162	4151285									1	
-163	AN501C10-18									3	
	AN365-1032									3	
-164	AN501C10-26									1	
	138275-6-24									1	
	AN365-1032									1	
-165	AN815-4D									3	
	AN6290-4									3	
-166	AN809-1									1	
-167	AN6287-1									1	
-168	AN813-1B									1	
	AN901-5A									1	
-169	AN5771-4									1	
		A	USAF 41-39100 thru 41-39599	D	USAF 41-39100 thru 41-39499						
					43-22252 thru 43-22590						
		B	USAF 44-34098 thru 44-35997	E	USAF 41-39500 thru 41-39599						
					43-22591 thru 43-22751						
					44-34098 thru 44-35197						
		C	USAF 43-22252 thru 43-22751								

Section II
Group Assembly Parts List

T.O. 1B-26B-4
FUSELAGE

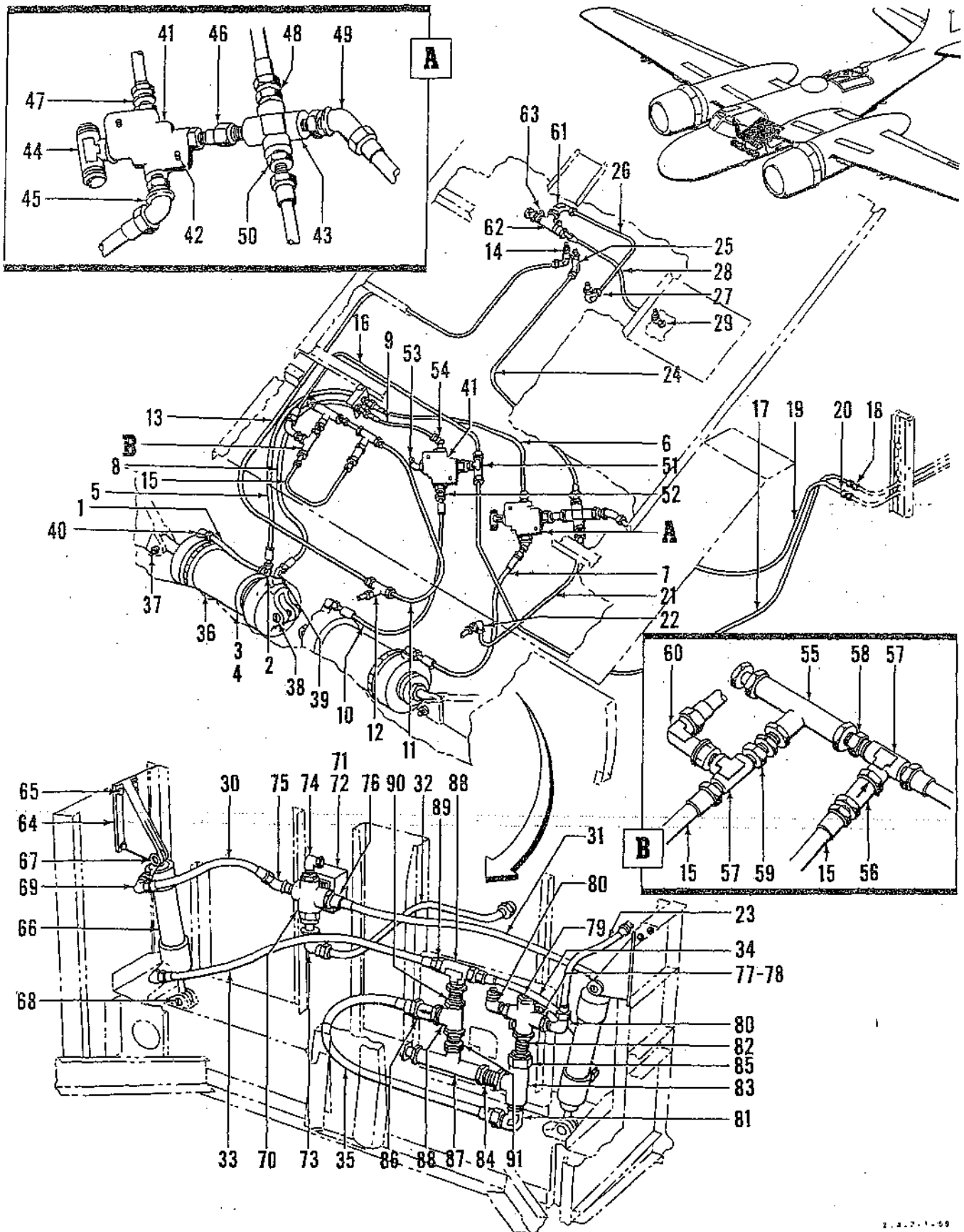


Figure 95. Fuselage Aft Section Forward Hydraulic Installation

FIGURE & INDEX NO.	PART NO.	DESCRIPTION	UNITS PER ASSY	USABLE ON CODE		
					1	2
95-	5201433	HYDRAULIC INSTL, Fuselage aft section forward (see figure 40)	Ref	A		
-1	5158905-17	LINE ASSY	1	A		
-2	AN833-4D	ELBOW	1	A		
	AN924-4D	NUT	1	A		
-3	2155005	CLAMP ASSY, Bomb door actuating cylinder (ATTACHING PARTS)	1	A		
-4	AN526-1032-26	SCREW	1	A		
	AN365-1032	NUT	1	A		
-5	MS28741-4-0104	HOSE ASSY	1	A		
-6	5158905-11	LINE ASSY	1	A		
-7	MS28741-4-0113	HOSE ASSY	1	A		
-8	MS28741-4-0096	HOSE ASSY	1	A		
-9	5158905-18	LINE ASSY	1	A		
-10	MS28741-4-0160	HOSE ASSY	1	A		
-11	5158905-47	LINE ASSY	1	A		
-12	AN834-6D	TEE	1	A		
	AN924-6D	NUT	1	A		
-13	5158905-44	LINE ASSY	1	A		
-14	AN833-6D	ELBOW	1	A		
	AN924-6D	NUT	1	A		
	AN960D916	WASHER	1	A		
-15	5158905-46	LINE ASSY	1	A		
-16	5158905-45	LINE ASSY	1	A		
-17	5158905-29	LINE ASSY	1	A		
-18	AN815-6D	UNION	1	A		
-19	5158905-49	LINE ASSY	1	A		
-20	AN815-6D	UNION	1	A		
-21	5158905-43	LINE ASSY	1	A		
-22	AN833-6D	ELBOW	1	A		
	AN924-6D	NUT	1	A		
-23	5158905-37	LINE ASSY	1	A		
-24	5158905-48	LINE ASSY	1	A		
-25	AN833-6D	ELBOW	1	A		
	AN924-6D	NUT	1	A		
	AN960D916	WASHER	1	A		
-26	5158905-26	LINE ASSY	1	A		
-27	AN833-6D	ELBOW	1	A		
	AN924-6D	NUT	1	A		
	AN960D916	WASHER	1	A		
-28	5158905-31	LINE ASSY	1	A		
-29	AN834-8D	TEE	1	A		
	AN924-8D	NUT	1	A		
-30	MS28741-4-0084	HOSE ASSY	1	A		
-31	MS28741-4-0154	HOSE ASSY	1	A		
-32	5158905-35	LINE ASSY	1	A		
-33	MS28741-4-0164	HOSE ASSY	1	A		
-34	MS28741-4-0100	HOSE ASSY	1	A		
-35	5158905-36	LINE ASSY	1	A		
-36	5122207	CYLINDER ASSY, Bomb door actuating forward (see figure 99) (ATTACHING PARTS)	2	A		
-37	AN27-27	BOLT	1	A		
	1026614G2-024	SPACER, OD bearing	1	A		
	AN960D716	WASHER	2	A		
	AN320-7	NUT	1	A		
-38	AN27-32	BOLT	1	A		
	1026614G2-024	SPACER, OD bearing	1	A		
	AN960D716	WASHER	2	A		
	AN320-7	NUT	1	A		
-39	AN833-4D	ELBOW	3	A		
	AN6290-4	GASKET	3	A		
	AN924-4D	NUT	3	A		
-40	AN837-4D	ELBOW	1	A		
	AN6290-4	GASKET	1	A		
	AN924-4D	NUT	1	A		
-41	2150744	VALVE ASSY, 3/8-in. shuttle (ATTACHING PARTS)	2	A		
-42	AN526-1032-12	SCREW	4	A		
-43	AN937D6	CROSS	1	A		
-44	AN834-4D	TEE	1	A		
	AN924-4D	NUT	1	A		
	AN6290-4	GASKET	1	A		
-45	AN837-4D	ELBOW	1	A		
	AN924-4D	NUT	1	A		
	AN6290-4	GASKET	1	A		
-46	AN815-4D	UNION	1	A		
	AN6290-4	GASKET	1	A		
-47	AN832-6D	UNION	1	A		
	AN924-6D	NUT	1	A		
	AN6290-6	GASKET	2	A		
-48	AN815-6D	UNION	1	A		
	AN6290-6	GASKET	1	A		

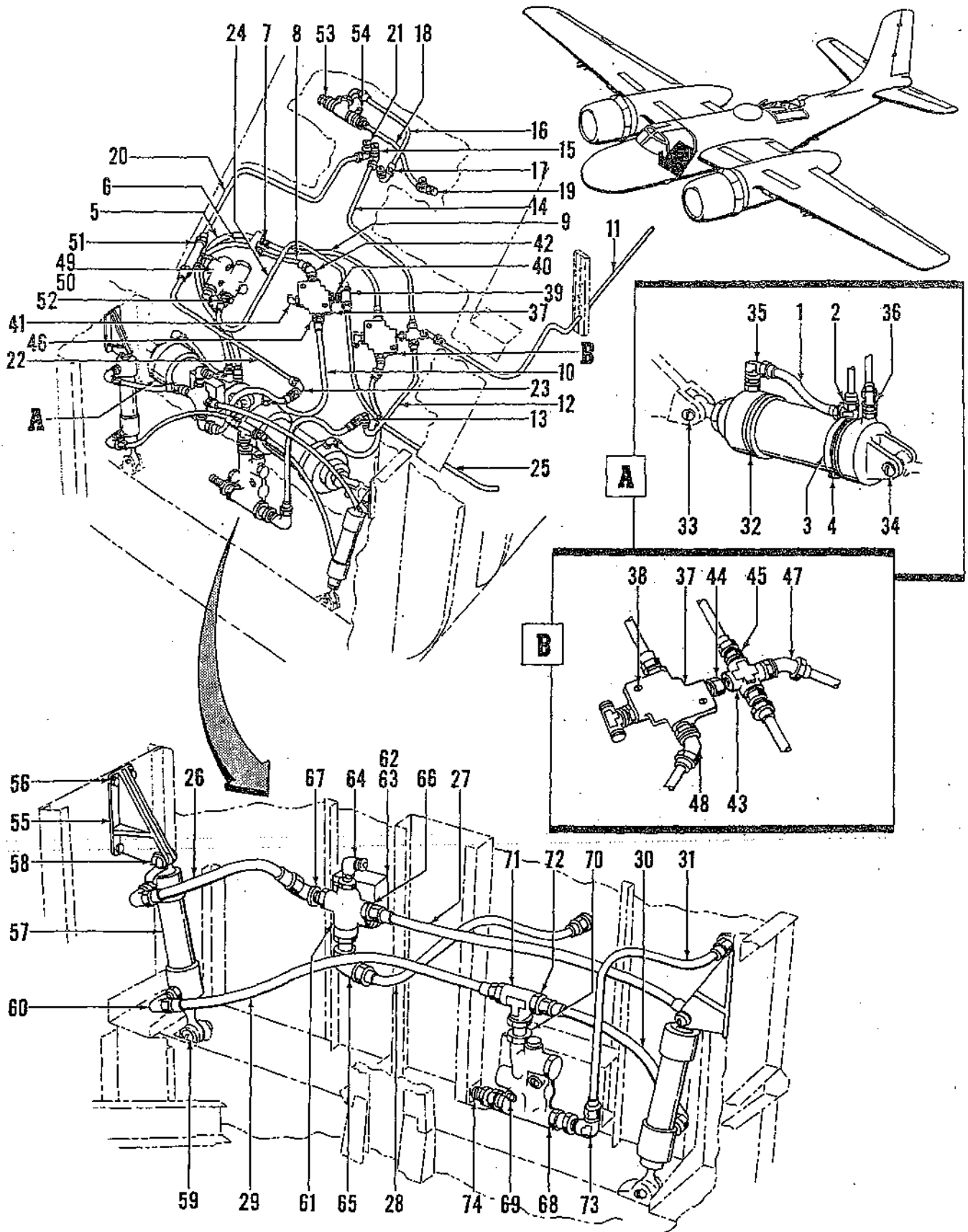
Group Assembly Parts List

FIGURE & INDEX NO.	PART NO.	1	2	3	4	5	6	7	DESCRIPTION	UNITS PER ASSY	USABLE ON CODE
95-49	AN837-6D								ELBOW	1	A
	AN924-6D								NUT	1	A
	AN6290-6								GASKET	1	A
-50	AN815-6D								UNION	1	A
	AN6290-6								GASKET	1	A
-51	AN834-6D								TEE	1	A
	AN924-6D								NUT	1	A
	AN6290-6								GASKET	1	A
-52	AN815-4D								UNION	1	A
	AN6290-4								GASKET	1	A
-53	AN833-4D								ELBOW	1	A
	AN924-4D								NUT	1	A
	AN6290-4								GASKET	1	A
-54	AN837-4D								ELBOW	1	A
	AN924-4D								NUT	1	A
	AN6290-4								GASKET	1	A
-55	32B34-001-1								VALVE ASSY, Balance relief (IA)	1	A
-56	AN6207-6								VALVE	1	A
-57	AN938D6								TEE	2	A
-58	AN815-6D								UNION	1	A
-59	AN832-6D								UNION	2	A
	AN6290-6								GASKET	4	A
	AN924-6D								NUT	2	A
-60	AN833-6D								ELBOW	1	A
	AN6290-6								GASKET	2	A
	AN924-6D								NUT	1	A
-61	AN837-6D								ELBOW	1	A
	AN6290-6								GASKET	2	A
	AN924-6D								NUT	1	A
-62	2196609								VALVE ASSY, Hydraulic balanced relief complete (ATTACHING PARTS)	1	A
-63	AN515-8-20								SCREW	2	A
	2033900-4D035-025								SPACER	2	A
-64	4206372								BRACKET, Bomb bay spoiler cylinder (ATTACHING PARTS)	2	A
-65	AN3-5A								BOLT	4	A
	AN960-10D								WASHER	4	A
	AN365-1032								NUT	4	A
-66	2026								CYLINDER ASSY, Bomb bay spoiler (STR) (part to be in accordance with Douglas Spec drawing number 4206319) (ATTACHING PARTS)	2	A
-67	AN24-19								BOLT	1	A
	AN320-4								NUT	1	A
	AN960D416								WASHER	1	A
-68	AN23-17								BOLT	1	A
	AN320-3								NUT	1	A
	AN960-10D								WASHER	1	A
-69	AN833-4D								ELBOW	4	A
	AN924-4D								NUT	4	A
	AN6290-4								GASKET	4	A
-70	2150744								VALVE ASSY, 3/8-in. shuttle (ATTACHING PARTS)	1	A
-71	2206998								BLOCK, Bomb bay spoiler shuttle valve	1	A
-72	AN520-10-30								SCREW	2	A
	AN960-10D								WASHER	2	A
	AN365-1032								NUT	2	A
-73	AN833-6D								ELBOW	1	A
	AN924-6D								NUT	1	A
	AN6290-6								GASKET	1	A
-74	AN833-4D								ELBOW	1	A
	AN924-4D								NUT	1	A
	AN6290-4								GASKET	1	A
-75	AN837-4D								ELBOW	1	A
	AN6290-4								GASKET	1	A
-76	AN815-4D								UNION	1	A
	AN6290-4								GASKET	1	A
-77	2150744								VALVE ASSY, 3/8-in. shuttle (ATTACHING PARTS)	1	A
-78	AN526-1032-12								SCREW	2	A
	AN960-10D								WASHER	2	A
	AN365-1032								NUT	2	A
-79	AN814-4D								PLUG AND BLEEDER	1	A
	AN6290-4								GASKET	1	A
-80	AN833-6D								ELBOW	2	A
	AN924-6D								NUT	2	A
	AN6290-6								GASKET	2	A

FIGURE & INDEX NO.	PART NO.	DESCRIPTION							UNITS PER ASSY	USABLE ON CODE
		1	2	3	4	5	6	7		
95-81	AN833-4D								1	A
	AN924-4D								1	A
	AN6290-4								1	A
-82	AN832-4D								1	A
	AN924-4D								1	A
	AN6290-4								2	A
-83	AN938-6D								1	A
-84	AN832-6D								1	A
	AN6290-6								2	A
-85	AN893-2D								1	A
-86	AN6207-6								1	A
	AN6290-6								1	A
-87	32B34-001								1	A
-88	AN938-6D								2	A
-89	AN919-6D								2	A
	AN6290-6								1	A
-90	2207679								2	A
	AN6290-6								2	A
-91	AN832-6D								1	A
	AN924-6D								1	A
	AN6290-6								2	A
		A USAF 41-39100 thru 41-39349								
		43-22252 thru 43-22399								
		43-22467 thru 43-22493								

Section II
Group Assembly Parts List

T.O. 1B-26B-4
FUSELAGE



2-4-2-1-46

Figure 96. Fuselage Aft Section Hydraulic Installation

FIGURE & INDEX NO.	PART NO.	1	2	3	4	5	6	7	DESCRIPTION	UNITS PER ASSY	USABLE ON CODE
96-	5205265	HYDRAULIC INSTL, Faselage aft section (see figure 40)							Ref	A	
-1	5158905-17	LINE ASSY							1	A	
-2	AN833-4D	ELBOW							1	A	
	AN924-4D	NUT							1	A	
-3	2155005	CLAMP ASSY							1	A	
		(ATTACHING PARTS)									
-4	AN526-1032-26	SCREW							1	A	
	AN365-1032	NUT							1	A	
-5	MS28741-4-0104	HOSE ASSY							1	A	
-6	MS28741-4-0106	HOSE ASSY							1	A	
-7	AN637-4D	ELBOW							2	A	
	AN924-4D	NUT							2	A	
-8	5158905-18	LINE ASSY							1	A	
-9	5158905-11	LINE ASSY							1	A	
-10	MS28741-4-0160	HOSE ASSY							1	A	
-11	5158905-49	LINE ASSY							1	A	
-12	5158905-43	LINE ASSY							1	A	
-13	AN833-6D	ELBOW							1	A	
	AN924-6D	NUT							1	A	
-14	5158905-48	LINE ASSY							1	A	
-15	AN833-6D	ELBOW							1	A	
	AN924-6D	NUT							1	A	
	AN6290-6	GASKET							1	A	
-16	5158905-26	LINE ASSY							1	A	
-17	AN833-6D	ELBOW							1	A	
	AN924-6D	NUT							1	A	
	AN960D416	WASHER							1	A	
-18	5158905-31	LINE ASSY							1	A	
-19	AN834-8D	TEE							1	A	
	AN924-8D	NUT							1	A	
-20	5158905-50	LINE ASSY							1	A	
-21	AN833-6D	ELBOW							1	A	
	AN924-6D	NUT							1	A	
	AN960D916	WASHER							1	A	
-22	5158905-34	LINE ASSY							1	A	
-23	AN833-6D	ELBOW							1	A	
	AN924-6D	NUT							1	A	
	AN6290-6	GASKET							1	A	
-24	5158905-33	LINE ASSY							1	A	
-25	5158905-29	LINE ASSY							1	A	
-26	MS28741-4-0084	HOSE ASSY							1	A	
-27	MS28741-4-0154	HOSE ASSY							1	A	
-28	5158905-35	LINE ASSY							1	A	
-29	MS28741-4-0174	HOSE ASSY							1	A	
-30	MS28741-4-0080	HOSE ASSY							1	A	
-31	5158905-51	LINE ASSY							1	A	
-32	5122207	CYLINDER ASSY, Bomb door actuating forward (see figure 99)							2	A	
		(ATTACHING PARTS)									
-33	AN27-27	BOLT							1	A	
	1026614G7-024	SPACER, OD bearing							1	A	
	AN960D716	WASHER							2	A	
	AN320-7	NUT							1	A	
-34	AN27-32	BOLT							1	A	
	1026614G7-024	SPACER, OD bearing							1	A	
	AN960D716	WASHER							2	A	
	AN320-7	NUT							1	A	
-35	AN833-4D	ELBOW							3	A	
	AN6290-4	GASKET							3	A	
	AN924-4D	NUT							3	A	
-36	AN837-4D	ELBOW							1	A	
	AN6290-4	GASKET							1	A	
	AN924-4D	NUT							1	A	
-37	2150744	VALVE ASSY, 3/8-in. shuttle							2	A	
		(ATTACHING PARTS)									
-38	AN526-1032-12	SCREW							2	A	
-39	AN834-6D	TEE							1	A	
	AN924-6D	NUT							1	A	
	AN6290-6	GASKET							1	A	
-40	AN815-4D	UNION							1	A	
	AN6290-4	GASKET							1	A	
-41	AN815-4D	ELBOW							1	A	
	AN924-4D	NUT							1	A	
	AN6290-4	GASKET							1	A	
-42	AN837-4D	ELBOW							1	A	
	AN924-4D	NUT							1	A	
	AN6290-4	GASKET							1	A	
-43	AN937-6D	CROSS							1	A	
-44	AN815-4D	UNION							1	A	
	AN6290-4	GASKET							1	A	
-45	AN815-6D	UNION							2	A	
	AN6290-6	GASKET							2	A	
-46	AN832-6D	UNION							1	A	
	AN6290-6	GASKET							1	A	

Section II

T.O. 1B-26B-4

Group Assembly Parts List

FIGURE & INDEX NO.	PART NO.	1	2	3	4	5	6	7	DESCRIPTION	UNITS PER ASSY	USABLE ON CODE
96-47	AN837-6D								ELBOW	1	A
	AN924-6D								NUT	1	A
	AN6290-6								GASKET	1	A
-48	AN837-4D								ELBOW	1	A
	AN924-4D								NUT	1	A
	AN6290-4								GASKET	1	A
-49	1096								VALVE, Combination check and relief valve (HOA) (part to be in accordance with Douglas Spec drawing number 4207095)	1	A
									(ATTACHING PARTS)		
-50	ANS20-10-26								SCREW	2	A

-51	AN834-6D								TEE	1	A
-52	AN815-6D								UNION	1	A
	AN6290-6								GASKET	1	A
-53	2196609								VALVE ASSY, Hydraulic balanced relief complete	1	A
									(ATTACHING PARTS)		
-54	AN315-8-20								SCREW	2	A
	2033900-4D035-025								SPACER, OD bearing	2	A

-55	4206372								BRACKET, Bomb bay spoiler cylinder	2	A
									(ATTACHING PARTS)		
-56	AN3-5A								BOLT	8	A
	AN960-10D								WASHER	8	A
	AN365-1032								NUT	8	A

-57	2026								CYLINDER ASSY, Bomb bay spoiler (WTR) (part to be in accordance with Douglas Spec drawing number 4206319)	2	A
									(ATTACHING PARTS)		
-58	AN24-19								BOLT	2	A
	AN960-416D								WASHER	2	A
	AN320-4								NUT	2	A
-59	AN523-17								BOLT	2	A
	AN960-10D								WASHER	2	A
	AN320-3								NUT	2	A

-60	AN833-4D								ELBOW	4	A
	AN924-4D								NUT	4	A
	AN6290-4								GASKET	4	A
-61	2150744								VALVE ASSY, 3/8-in. shuttle (see figure 95)	1	A
									(ATTACHING PARTS)		
-62	2206998								BLOCK, Bomb bay spoiler shuttle valve	1	A
-63	AN520-10-30								SCREW	2	A
	AN960-10D								WASHER	2	A
	AN365-1032								NUT	2	A

-64	AN833-6D								ELBOW	1	A
	AN924-6D								NUT	1	A
	AN6290-6								GASKET	1	A
-65	AN833-4D								ELBOW	1	A
	AN924-4D								NUT	1	A
	AN6290-4								GASKET	1	A
-66	AN919-6D								REDUCER	1	A
	AN6290-6								GASKET	1	A
-67	AN837-4D								ELBOW	1	A
	AN924-4D								NUT	1	A
	AN6290-4								GASKET	1	A
-68	1094								VALVE, Combination shuttle check and relief (HOA) (part to be in accordance with Douglas Spec drawing number 4207096)	1	A
									(ATTACHING PARTS)		
-69	AN520-10-32								SCREW	2	A

-70	2207679								UNION, Restrictor	1	A
	AN924-6D								NUT	1	A
	AN6290-6D								GASKET	1	A
-71	AN938-6D								TEE	1	A
-72	AN919-6D								REDUCER	2	A
	AN6290-6								GASKET	2	A
-73	AN833-6D								ELBOW	1	A
	AN924-6D								NUT	1	A
	AN6290-6								GASKET	1	A
-74	AN832-4D								UNION	1	A
	AN6290-4								GASKET	1	A
	AN924-4D								NUT	1	A

A USAF 41-3935D thru 41-39499
 43-22400 thru 43-22466
 43-22494 thru 43-22751

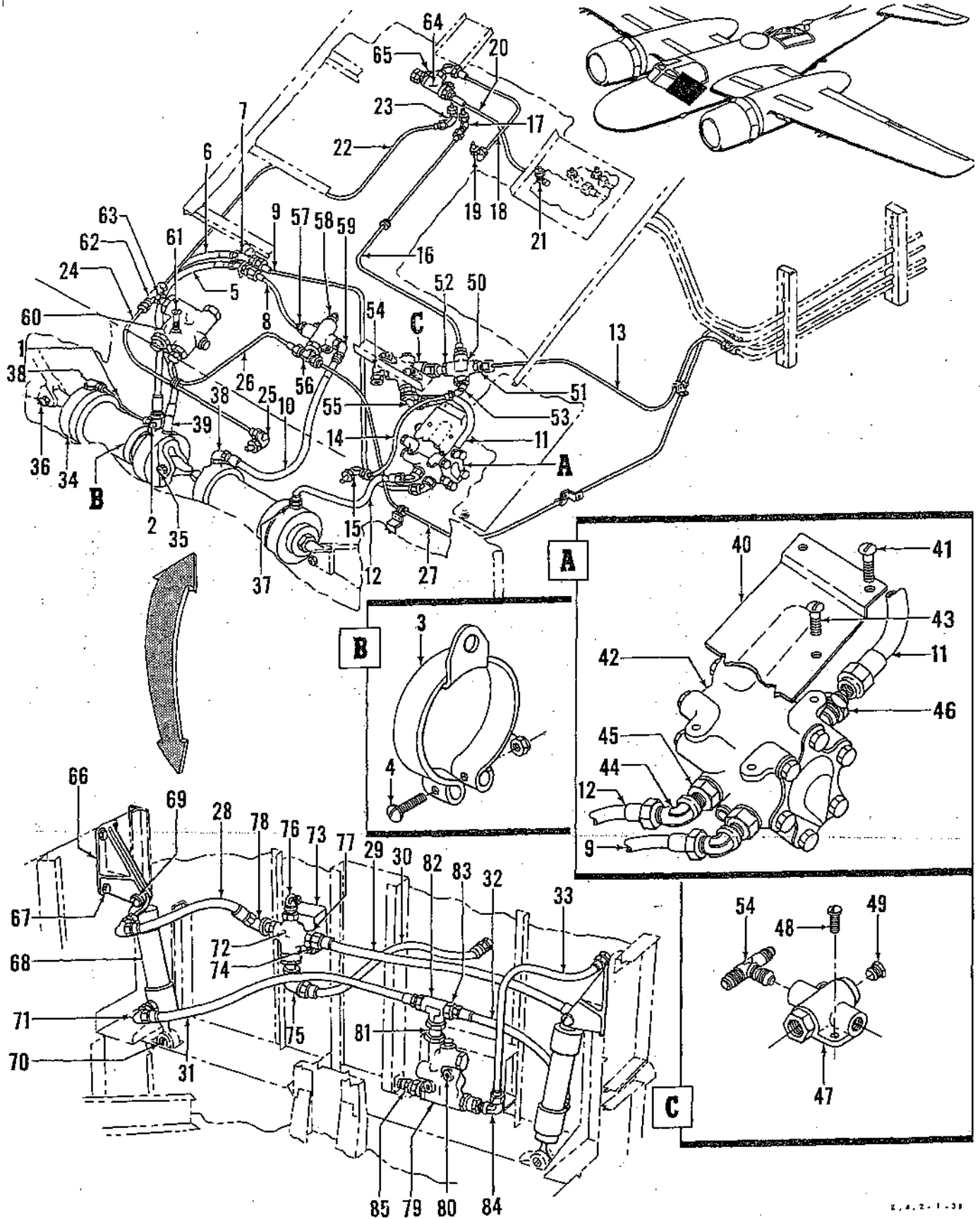


Figure 97. Fuselage Aft Section Hydraulic Installation

2-4-2-1-31

Section II
Group Assembly Parts List

T.O. 1B-26B-4

FIGURE & INDEX NO.	PART NO.	I 2 3 4 5 6 7	DESCRIPTION	UNITS PER ASSY	USABLE ON CODE
97-	5209678		HYDRAULIC INSTL, Fuselage aft section (see figure 40)	Ref	A
-1	5158905-17		LINE ASSY	1	A
-2	AN833-4D		ELBOW	1	A
	AN924-4D		NUT	1	A
-3	2155005		CLAMP ASSY, Bomb door actuating cylinder (ATTACHING PARTS)	1	A
-4	AN526-1032-26		SCREW	1	A
	AN365-1032		NUT	1	A
-5	MS28741-4-0113		HOSE ASSY	1	A
-6	MS28741-4-0096		HOSE ASSY	1	A
-7	AN837-4D		ELBOW	2	A
	AN924-4D		NUT	2	A
-8	5158905-18		LINE ASSY	1	A
-9	5158905-53		LINE ASSY	1	A
-10	MS28741-4-0124		HOSE ASSY	1	A
-11	5158905-52		LINE ASSY	1	A
-12	MS28741-4-0104		HOSE ASSY	1	A
-13	5158905-49		LINE ASSY	1	A
-14	5158905-43		LINE ASSY	1	A
-15	AN833-6D		ELBOW	1	A
	AN924-6D		NUT	1	A
-16	5158905-48		LINE ASSY	1	A
-17	AN833-6D		ELBOW	1	A
	AN924-6D		NUT	1	A
	AN6290-6		GASKET	1	A
-18	5158905-26		LINE ASSY	1	A
-19	AN833-6D		ELBOW	1	A
	AN924-6D		NUT	1	A
	AN960D916		WASHER	1	A
-20	5158905-31		LINE ASSY	1	A
-21	AN834-8D		TEE	1	A
	AN924-8D		NUT	1	A
-22	5158905-50		LINE ASSY	1	A
-23	AN833-6D		ELBOW	1	A
	AN924-6D		NUT	1	A
	AN960D916		WASHER	1	A
-24	5158905-34		LINE ASSY	1	A
-25	AN833-6D		ELBOW	1	A
	AN924-6D		NUT	1	A
	AN6290-6		GASKET	1	A
-26	5158905-33		LINE ASSY	1	A
-27	5158905-29		LINE ASSY	1	A
-28	MS28741-4-0084		HOSE ASSY	1	A
-29	MS28741-4-0154		HOSE ASSY	1	A
-30	5158905-35		LINE ASSY	1	A
-31	MS28741-4-0174		HOSE ASSY	1	A
-32	MS28741-4-0080		HOSE ASSY	1	A
-33	5158905-51		LINE ASSY	1	A
-34	5122207		CYLINDER ASSY, Bomb door actuating forward (see figure 99) (ATTACHING PARTS)	2	A
-35	AN27-27		BOLT	1	A
	1026614G07-024		SPACER, OD bearing	1	A
	AN960D716		WASHER	2	A
	AN320-7		NUT	1	A
-36	AN27-32		BOLT	1	A
	1026614G07-024		SPACER, OD bearing	1	A
	AN960D716		WASHER	2	A
	AN320-7		NUT	1	A
-37	AN815-4D		UNION	1	A
-38	AN833-4D		ELBOW	2	A
	AN924-4D		NUT	2	A
	AN6290-4		GASKET	2	A
-39	AN837-4D		ELBOW	1	A
	AN924-4D		NUT	1	A
	AN6290-4		GASKET	1	A
-40	4209406		BRACKET, Bomb bay door hydraulic flow equalizer (ATTACHING PARTS)	1	A
-41	AN520-10-12		SCREW	4	A
	AN365-1032		NUT	4	A
-42	405000		EQUALIZER, Bomb bay door hydraulic flow (BAV) (part to be in accordance with Douglas Spec drawing number 3209331) (ATTACHING PARTS)	1	A
-43	AN520-10-7		SCREW	4	A
-44	AN833-4D		ELBOW	2	A
-45	AN893-2D		BUSHING	2	A
-46	AN919-12D		REDUCER	1	A
-47	2209521		VALVE ASSY, 3/8-In. shuttle (ATTACHING PARTS)	2	A
-48	AN526-1032-12		SCREW	2	A
-49	AN814-4D		PLUG AND BLEEDER	1	A

FIGURE & INDEX NO.	PART NO.	DESCRIPTION							UNITS PER ASSY	USABLE ON CODE
		1	2	3	4	5	6	7		
97-	AN6290-4								1	A
-50	AN937-6D								1	A
-51	AN815-6D								2	A
	AN6290-6								2	A
-52	AN832-6D								1	A
	AN924-6D								2	A
	AN6290-6								1	A
-53	AN837-6D								1	A
	AN924-6D								1	A
	AN6290-6								1	A
-54	AN834-4D								1	A
	AN924-4D								1	A
	AN6290-4								1	A
-55	AN833-6D								1	A
	AN924-6D								1	A
	AN6290-6								1	A
-56	AN834-6D								1	A
	AN924-6D								1	A
	AN6290-6								1	A
-57	AN815-4D								1	A
	AN6290-4								1	A
-58	AN919-6D								1	A
	AN6290-6								1	A
-59	AN833-4D								1	A
	AN924-4D								1	A
	AN6290-4								1	A
-60	1096								1	A
-61	AN520-10-26								2	A
-62	AN834-6D								1	A
-63	AN815-6D								1	A
	AN6290-6								1	A
-64	2196609								1	A
-65	AN515-8-20								2	A
	2033900-4D035-025								2	A
-66	4206372								2	A
-67	AN3-5A								4	A
	AN960-10D								4	A
	AN365-1032								4	A
-68	2026								2	A
-69	AN24-19								2	A
	AN960-416D								2	A
	AN320-4								2	A
-70	AN523-17								2	A
	AN960-10D								2	A
	AN320-3								2	A
-71	AN833-4D								4	A
	AN924-4D								4	A
	AN6290-4								4	A
-72	2209521								1	A
-73	2206998								1	A
-74	AN520-10-30								2	A
	AN960-10D								2	A
	AN365-1032								2	A
-75	AN833-6D								1	A
	AN924-6D								1	A
	AN6290-6								1	A
-76	AN833-4D								1	A
	AN924-4D								1	A
	AN6290-4								1	A
-77	AN919-6D								1	A
	AN6290-6								1	A
-78	AN837-4D								1	A
	AN924-4D								1	A
	AN6290-4								1	A
-79	1094								1	A
-80	AN520-10-32								2	A
-81	2207679								1	A
	AN924-6D								1	A
	AN6290-6								1	A
-82	AN938-6D								1	A

Section II

T.O. 1B-26B-4

Group Assembly Parts List

FIGURE & INDEX NO.	PART NO.	DESCRIPTION							UNITS PER ASSY	USABLE ON CODE
		1	2	3	4	5	6	7		
97-83	AN919-6D								2	A
	AN6290-6								2	A
-84	AN833-6D								1	A
	AN924-6D								1	A
	AN6290-6								1	A
-85	AN832-4D								1	A
	AN924-4D								1	A
	AN6290-4								1	A
		A USAF 41-39500 thru 41-39596 44-34098 thru 44-35996								

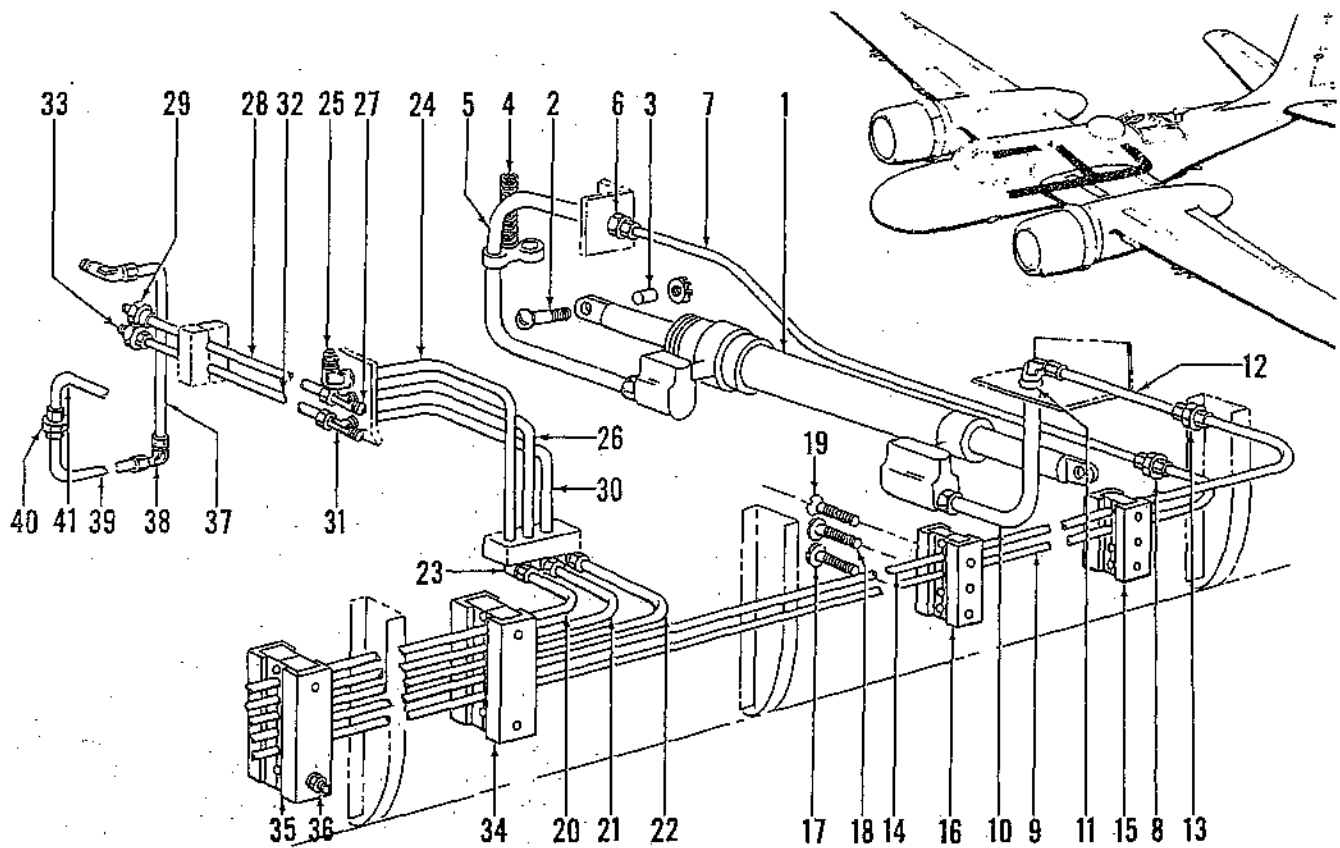


Figure 98. Fuselage Aft Section Hydraulic Installation

FIGURE & INDEX NO.	PART NO.	DESCRIPTION							UNITS PER ASSY	USABLE ON CODE
		1	2	3	4	5	6	7		
98-	5122198	HYDRAULIC INSTL, Fuselage aft section (see figures.....							Ref	
-1	5122208	95, 96 and 97) CYLINDER ASSY, Bomb door actuating aft (see figure 99)							1	
-2	AN24-26	(ATTACHING PARTS)								
-3	1026614G4-024	BOLT							2	
	AN320-4	SPACER, OD bearing							2	
		NUT							2	
-4	88	* SPRING (CSC)							1	
-5	MS28741-6-0270	HOSE ASSY							1	
-6	AN832-6D	UNION							1	
	AN924-6D	NUT							2	
-7	5158905-7	LINE ASSY, Bomb door pressure closed							1	
-8	AN815-6D	UNION							1	
-9	5158905-5	LINE ASSY, Bomb door pressure closed							1	
-10	2280599	HOSE ASSY, Detachable swivel end hydraulic							1	
-11	AN829-6D	ELBOW							1	
	AN944-6D	NUT							1	
-12	5158905-8	LINE ASSY, Bomb door pressure open							1	
-13	AN815-6D	UNION							2	
-14	5158905-4	LINE ASSY, Bomb door pressure open							1	
-15	2151779	CLAMP ASSY, Bonded block No. 9							2	
-16	2151778	CLAMP ASSY, Bonded block No. 8							3	
		(ATTACHING PARTS)								
-17	AN515-6-24	SCREW							1	
-18	AN515-8-24	SCREW							1	
-19	AN507-832-24	SCREW							1	
		* LINE ASSY, Brake operation LH							1	
-20	5158905-1	LINE ASSY, Landing gear pressure up							1	
-21	5158905-2	LINE ASSY, Landing gear pressure up							1	
-22	515905-3	LINE ASSY, Landing gear pressure down							1	
-23	AN821-8D	ELBOW							3	
	5152179	PIPING INSTL, Fuselage bomb bay crossover							1	
-24	4152500-6	LINE ASSY, Brake open LH							1	
-25	AN829-8D	ELBOW							1	

Section II

T.O. 1B-26B-4

Group Assembly Parts List

FIGURE & INDEX NO.	PART NO.	DESCRIPTION							UNITS PER ASSY	USABLE ON CODE
		1	2	3	4	5	6	7		
98-26	AN924-8D								1	
	4152500-4								1	
-27	AN834-8D								1	
	AN924-8D								1	
-28	4152500-3								1	
	AN815-8D								1	
-29	4152500-5								1	
	AN834-8D								1	
-31	AN924-8D								1	
	4152500-2								1	
-32	AN815-8D								1	
	2151772								2	
-33	2151773								2	
-36	AN515-8-24								2	
	AN960-8								2	
-37	AN365-832								2	
-38	4152500-1								1	
	AN821-8D								2	
-39	5158905-6								1	
	AN815-8D								1	
-41	5158905-25								1	

FUSELAGE

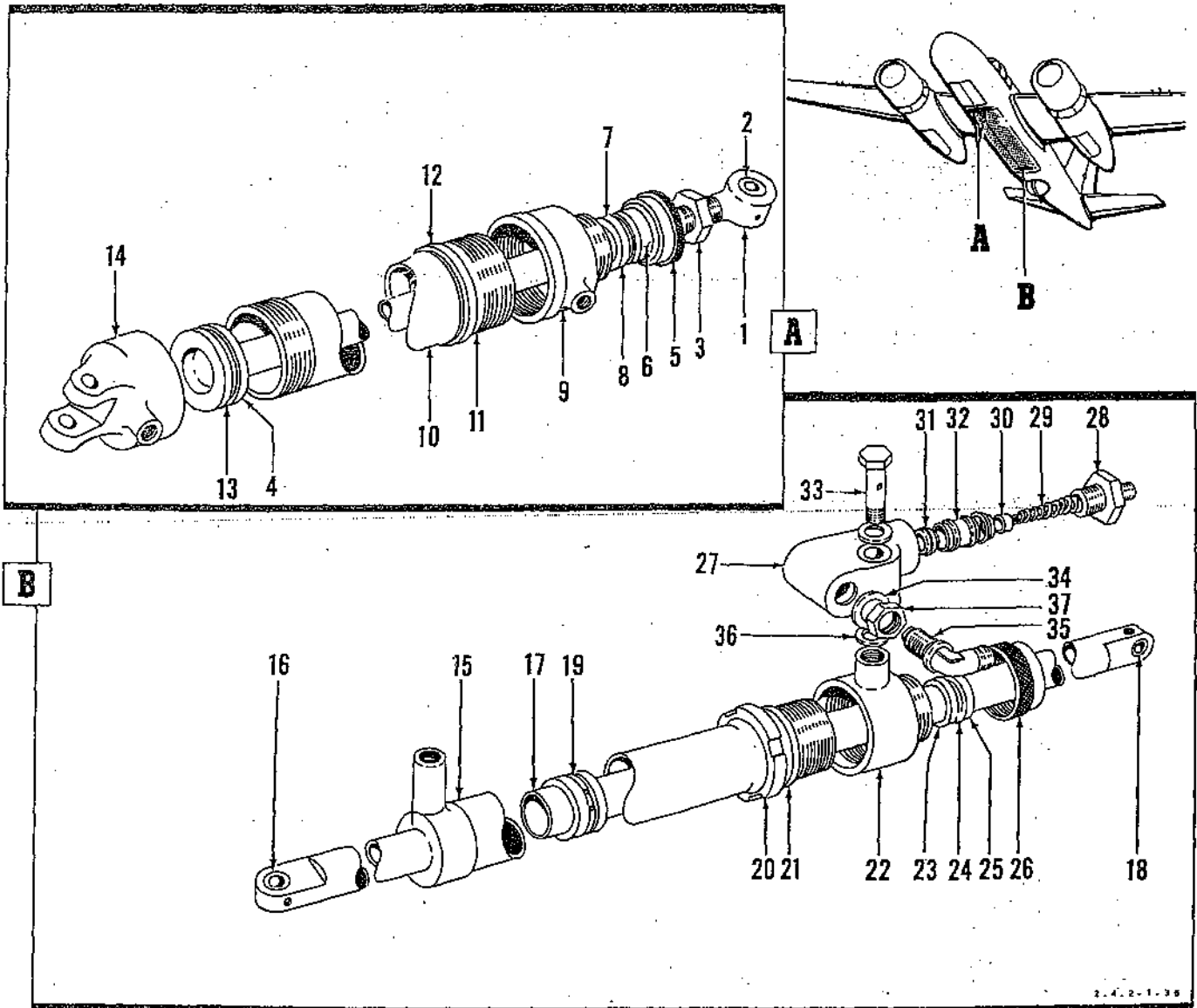


Figure 99. Bomb Bay Door Forward and Aft Actuating Cylinder Assembly

FIGURE & INDEX NO.	PART NO.	1	2	3	4	5	6	7	DESCRIPTION	UNITS PER ASSY	USABLE ON CODE
99-	5122207								BOMB BAY DOOR FORWARD AND AFT ACTUATING CYLINDER ASSY		
									CYLINDER ASSY, Bomb door actuating forward (see figures 95, 96 and 97)	Ref	
	2150714								BOLT ASSY, Bomb door forward actuating cylinder	1	
-1	2150714-2								BOLT, Bomb door forward actuating cylinder	1	
-2	116500-9A024G								BUSHING, Aluminum bronze grooved	1	
-3	AN316-12R								NUT	1	
-4	4129519								PISTON ASSY, Bomb door forward actuating cylinder	1	
-5	2150725								NUT, Bomb door forward actuating cylinder rod packing	1	
-6	1073530B100-008								RING, Long packing	1	
-7	AN6225-20								PACKING	4	
-8	AN6229-20								ADAPTER	1	
-9	2129398								END, Bomb door forward actuating cylinder	1	
-10	2129395								BARREL, Bomb door forward actuating cylinder	1	
-11	1111908-224-230-188								GASKET, External seal ring	1	
-12	2150745								NUT, Bomb door actuating forward cylinder external packing	2	
-13	AN6227-32								PACKING	1	
-14	2150713								HEAD, Bomb door forward actuating cylinder	1	
	5122208								CYLINDER ASSY, Bomb door actuating aft (see figure 98)	Ref	
	5150119								BARREL ASSY, Bomb door aft actuating cylinder	1	
-15	5150119-2								BARREL	1	
-16	116500-6B023G								BUSHING, Plain sleeve brass	1	
	5150095								PISTON ASSY, Bomb door aft actuating cylinder	1	
-17	5150095-2								PISTON	1	
-18	116500-6B023G								BUSHING, Plain sleeve brass	1	
-19	AN6227-25								PACKING	1	
-20	2150731								NUT, Bomb door aft actuating cylinder external packing	1	
-21	1111908-130-204-188								GASKET, External seal ring	1	
-22	2129356								END, Bomb door aft actuating cylinder	1	
-23	AN6229-20								ADAPTER (formerly 1012954D100-008)	1	
-24	AN6225-20								PACKING	4	
-25	1073530B100-008								RING, Long packing	1	
-26	2150725								NUT, Bomb door forward actuating cylinder rod	1	
	2129383								VALVE ASSY, Bomb door aft actuating cylinder shuttle	2	
-27	2129384								BODY, Bomb door aft actuating cylinder shuttle valve	1	
-28	1150456								CONNECTOR, Shuttle valve 3/8-in.	1	
-29	1128871								SPRING, Shuttle valve 3/8-in.	1	
-30	1128869								CONE, Shuttle valve 3/8-in.	1	
-31	H107675-014								SEAT, Resilient valve (HYP)	2	
-32	1128870								SPACER, Shuttle valve 3/8-in.	1	
-33	AN775-6D								BOLT	2	
-34	AN901-6C								GASKET	4	
-35	AN833-4D								ELBOW	2	
-36	AN6290-4								GASKET	2	
-37	AN924-4D								NUT	2	

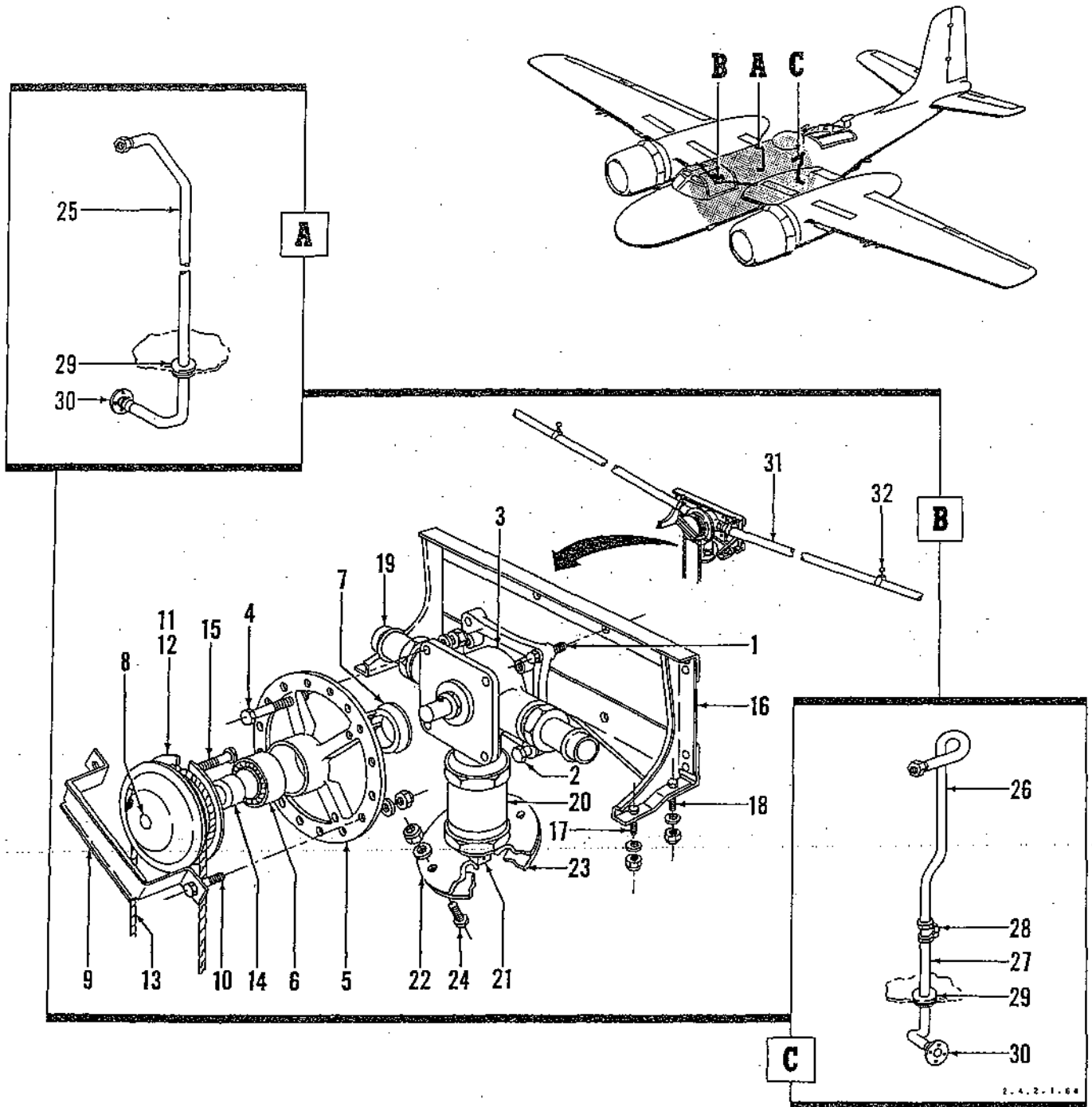


Figure 100. Fuselage Fixed Fuel System Installation

FIGURE & INDEX NO.	PART NO.	DESCRIPTION							UNITS PER ASSY	USABLE ON CODE
		1	2	3	4	5	6	7		
100-	5122185 4123750	FUEL SYSTEM INSTL, Fuselage fixed (see figure 40)							Ref	
		VALVE ASSY, Cross fuel selector							1	
		(ATTACHING PARTS)								
-1	AN3-11A	BOLT							2	
	AN960-10	WASHER							2	
-2	AN3-13A	BOLT							2	
	AN960-10	WASHER							2	
		* * *								
-3	2205769-6 2126594	VALVE ASSY, Fuel tank selector							1	
		SUPPORT ASSY, Fuel valve control pulley							1	
		(ATTACHING PARTS)								
-4	AN3-11A	BOLT							4	
	AN960D10	WASHER							4	
	AN365-1032	NUT							4	
		* * *								
-5	2126594-2	SUPPORT							1	
-6	B1612	BEARING, Needle (TOR)							1	
-7	2207544	SPACER, Cross fuel selector valve							1	
-8	50711	BUTTON, Det plug (UC)							1	
-9	1125916	GUARD, Fuel valve control pulley							1	
		(ATTACHING PARTS)								
-10	AN3-5A	BOLT							2	
	AN960D10	WASHER							2	
	AN365-1032	NUT							2	
		* * *								
-11	4127595-4	DRUM ASSY, Fuel selector valve							1	
-12	2057110	PULLEY ASSY							1	
-13	2074407-16-5-5440	CABLE ASSY, Swaged type 3/32-in. dia							1	
-14	NAS75-3-018	BUSHING							1	
-15	AN23-11A	BOLT							1	
	AN960D10	WASHER							1	
	AN365-1032	NUT							1	
-16	4128137	BRACKET ASSY, Cross fuel selector valve support							1	
		(ATTACHING PARTS)								
-17	AN3-4A	BOLT							2	
	AN960-10	WASHER							2	
	AN365-1032	NUT							2	
-18	AN3-6A	BOLT							2	
	AN960-10	WASHER							2	
	AN365-1032	NUT							2	
		* * *								
-19	AN840-16	ADAPTER							2	
-20	2206737	COUPLING, Cross feed valve inlet							1	
-21	AN913-6	PLUG							1	
-22	1155685	SEAL, Bomb bay fuel selector valve outlet							1	
-23	1155686	RETAINER, Bomb bay fuel selector valve outlet seal							1	
		(ATTACHING PARTS)								
-24	AN520-10R10	SCREW, Recessed roundhead fine thread							4	
	AN960D10	WASHER							4	
	AN365-1032	NUT							4	
		* * *								
-25	5128410-62	LINE ASSY, Drain							1	
-26	5128410-178	LINE ASSY, Drain							1	
-27	5128410-180	LINE ASSY, Drain							1	
-28	AN824-4D	TEE							1	
-29	AN931-4-16	GROMMET							2	
-30	1128744	FLANGE, Fluid connecting coupling 1/4-in. tube							2	
-31	4127510-22	LINE ASSY							2	
-32	AN737TW48-56	CLAMP							4	

Section II
Group Assembly Parts List

T.O. 1B-26B-4
FUSELAGE

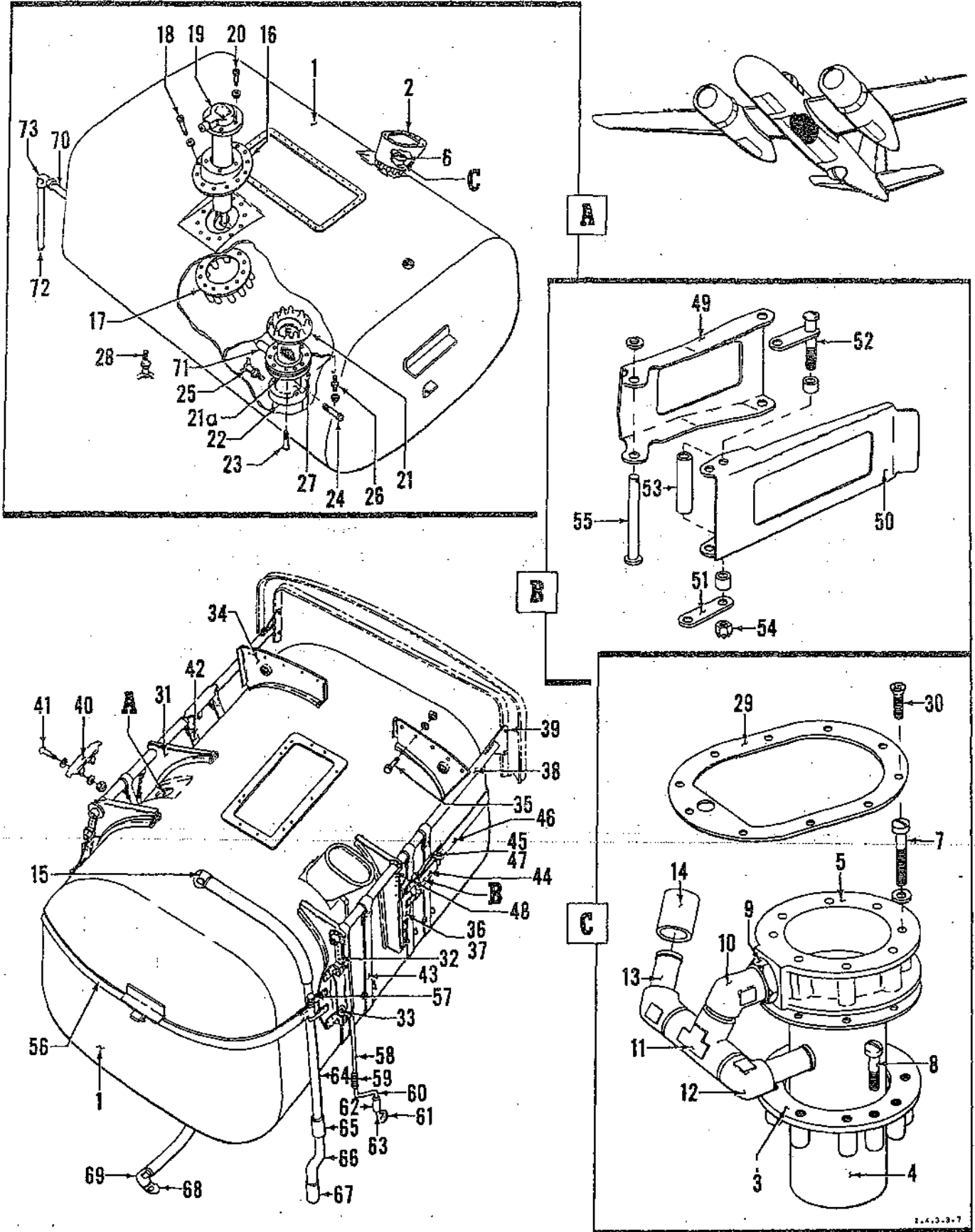


Figure 101. Bomb Bay Tank Installation

FIGURE & INDEX NO.	PART NO.	1	2	3	4	5	6	7	DESCRIPTION	UNITS PER ASSY	USABLE ON CODE
101-	5202251								BOMB BAY TANK INSTL	1	
	5202250								TANK ASSY, Bomb bay	1	A
	5206242								TANK ASSY, Bomb bay fuel	1	B
-1	5202249								CONTAINER ASSY, Bomb bay	1	A
	5206241								CONTAINER ASSY, Bomb bay	1	B
-2	5150084								WELL ASSY, Bomb bay fuel tank filler	1	
-3	2129284								FLANGE, Bomb bay fuel container filler mount	1	
-4	2193686								SLEEVE, Bomb bay tank filler	1	
-5	4193478								COLLAR, Bomb bay tank filler	1	
-6	40B1718								CAP AND ADAPTER ASSY, Fuel tank filler	1	
									(ATTACHING PARTS)		
-7	AN503-10-44								SCREW	8	
	AN960-10								WASHER	8	
-8	AN503-10-16								SCREW	2	
									--- * ---		
-9	AN911-6D								NIPPLE	1	
-10	AN915-6D								ELBOW	1	
-11	AN917-6D								TEE	1	
-12	AN842-12D								ELBOW	1	
-13	AN844-12D								ELBOW	1	
-14	1205182								CAP, Ferry tank to bomb bay vent	1	
-15	AN842-21D								ELBOW	1	
-16	4129450								FLANGE, Bomb bay fuel container gage mount	1	A
-17	2129283								RING, Bomb bay fuel container gage mount	1	A
									(ATTACHING PARTS)		
-18	AN503-416-20								SCREW	12	A
	AN960D416								WASHER	12	A
									--- * ---		
-19	8TJ17ADL								TRANSMITTER, Fuel quantity (GE)	1	A
	8TJ17AGR								TRANSMITTER, Fuel quantity (GE)	1	B
									(ATTACHING PARTS)		
-20	AN503-10-12								SCREW	5	
	AN960D10								WASHER	5	
									--- * ---		
-21	2129282								FLANGE, Bomb bay fuel container pump mount	1	
-21*	2126546								GASKET, Ferry tank fuel pump	2	
-22	TFD12100-2								PUMP ASSY, Variable pressure booster (TP)	1	A
	TFD12100-1								PUMP ASSY, Variable pressure booster (TP)	1	B
									(ATTACHING PARTS)		
-23	ANS00A10-16								SCREW	2	
-24	ANS00A10-20								SCREW	7	
									--- * ---		
-25	K1700B1								COCK ASSY, Drain (KOE)	1	
-26	1190687-4								STUD	1	
-27	AN844-4D								ELBOW	1	
	AN365-1032								NUT	1	
-28	K1700B2								COCK ASSY, Drain (KOE)	1	
-29	4129451								RETAINER, Bomb bay fuel tank filler well	1	
									(ATTACHING PARTS)		
-30	1114189Z10-8								SCREW	10	
									--- * ---		
-31	5150080								CHOCK ASSY, Bomb bay fuel tank main LH	2	
	5150080-1								CHOCK ASSY, Bomb bay fuel tank main RH	2	
									(ATTACHING PARTS)		
-32	AN6-11A								BOLT	3	
	AN960D616								WASHER	3	
	AN365-624								NUT	3	
-33	AN6-13A								BOLT	1	
	AN960D616								WASHER	1	
	AN365-624								NUT	1	
									--- * ---		
-34	1085061-2100								CHANNEL, Strap tank pad 1-1/4 in	1	
	5150239								CHOCK ASSY, Bomb bay fuel tank rear LH	2	
	5150239-1								CHOCK ASSY, Bomb bay fuel tank rear RH	2	
									(ATTACHING PARTS)		
-35	AN4-4A								BOLT	5	
	AN960D416								WASHER	5	
	AN365-428								NUT	5	
									--- * ---		
-36	1085061-1224								CHANNEL, Strap tank pad, 1-1/4 in	1	
	4202378								BRACKET ASSY, Bomb bay fuel tank aft end strap LH	1	
	4202378-1								BRACKET ASSY, Bomb bay fuel tank aft end strap RH	1	
									(ATTACHING PARTS)		
-37	AN6-22A								BOLT	4	
	AN960-616								WASHER	4	
	AN365-624								NUT	4	
									--- * ---		
-38	4129452								TUBE ASSY, Bomb bay fuel tank support	2	
									(ATTACHING PARTS)		
-39	AN4-10A								BOLT	2	
	AN960D416								WASHER	3	
	AN365-428								NUT	3	
									--- * ---		
-40	2158776								STOP ASSY, Bomb bay fuel container support	4	
									(ATTACHING PARTS)		
-41	AN520-10-8								SCREW	2	

Section II

T.O. 1B-26B-4

Group Assembly Parts List

FIGURE & INDEX NO.	PART NO.	1	2	3	4	5	6	7	DESCRIPTION	UNITS PER ASSY	USABLE ON CODE
101-	AN960D10 AN365-1032								WASHER NUT	4 2	
-42	4190219-2								STRAP ASSY, Bomb bay fuel tank takeup	4	
	4190218								STRAP ASSY, Bomb bay fuel tank latch	4	
-43	4190220								STRAP, Bomb bay fuel tank latch	1	
-44	4191510								BUCKLE ASSY, Bomb bay fuel tank latch (ATTACHING PARTS)	1	
-45	AN4-35A NAS43HT4-604 AN365-428								BOLT SPACER (formerly 117425-4S302) NUT	2 2 2	
-46	4190219-4								STRAP ASSY, Bomb bay fuel tank takeup (ATTACHING PARTS)	1	
-47	AN4-34A AN365-428								BOLT NUT	1 1	
-48	AN4-47A AN960D416 AN365-428 2033900-8S120-302								BOLT WASHER NUT SPACER	2 4 2 2	
	4191510								BUCKLE ASSY, Bomb bay fuel tank latch	1	
-49	4191510-4								BASE, Bomb bay fuel tank latch buckle	1	
-50	4191510-2								LEVER, Bomb bay fuel tank latch buckle	1	
-51	4191510-6								LINK, Bomb bay fuel tank latch buckle	2	
-52	AN24-56								BOLT	1	
	NAS43HT4-418								SPACER (formerly 117425-OHS209)	1	
-53	NAS43HT4-18								SPACER (formerly 117425-04S009)	3	
-54	AN310-4 AN960-416L								NUT WASHER	1 1	
-55	AN394-81								PIN	1	
-56	4191471								STRAP, Bomb bay fuel tank forward stop (ATTACHING PARTS)	1	
-57	AN4-47A AN960D416 AN365-428 S2033900-8S120-302								BOLT WASHER NUT SPACER	2 4 2 2	
-58	5128410-144								LINE ASSY, Fuel System	1	
-59	AN815-6D								UNION	1	
-60	5128410-148								LINE ASSY, Fuel system	1	
-61	865-2								FLANGE (USAF Standard)	1	
-62	AN884-6-15								HOSE	1	
-63	AN844-6D								ELBOW	1	
-64	5128410-142								LINE ASSY, Fuel system	1	
-65	AN884-20-15								HOSE	1	
-66	5128410-142								LINE ASSY, Fuel system	1	
-67	AN884-20-32								HOSE	1	
-68	AN915-6								ELBOW	1	
-69	AN842-16D								ELBOW	1	
-70	5128410-168								LINE ASSY, Fuel system	1	
-71	AN884-4-15								HOSE	1	
-72	5128410-176								LINE ASSY, Fuel system	1	
-73	AN833-4D								ELBOW	1	
		A USAF 41-39100 thru 41-39199		B USAF 41-39200 thru 41-39599							
		43-22252 thru 43-22351		43-22352 thru 43-22751		44-34098 thru 44-35996					

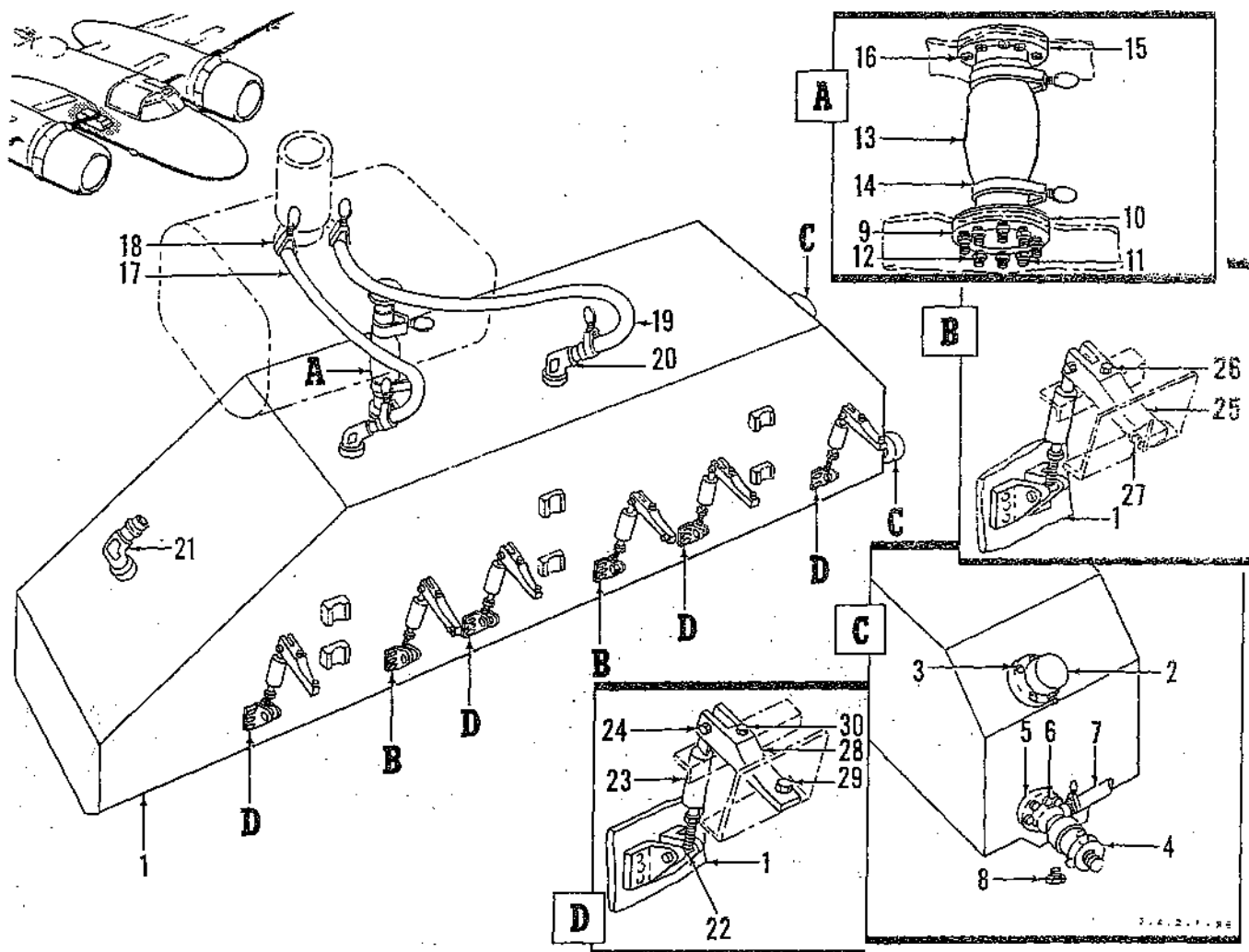


Figure 102. Bomb Bay Ferry Tank Installation

FIGURE & INDEX NO.	PART NO.								DESCRIPTION	UNITS PER ASSY	USABLE ON CODE
		1	2	3	4	5	6	7			
102- -1	5202252								TANK INSTL, Bomb bay ferry	1	A,B
	5191177								SHELL ASSY, Bomb bay ferry tank (interchangeable with 5275994)	1	A,B
	5275994								SHELL ASSY, Laminated bomb bay ferry tank assy (interchangeable with 5191177)	1	A,B
-2	8TJ17AGN								TRANSMITTER, Fuel level (GE)	1	A
	8TJ17AFK								TRANSMITTER, Fuel level (GE)	1	B
-3	ANS03-10-16								SCREW	5	A,B
	ANS03-10-20								SCREW (Used with 5275994)	5	A,B
-4	TFD12100-1								PUMP ASSY, Variable pressure booster (TP)	1	A,B
-5	2126546								GASKET, Ferry tank fuel pump	2	A,B
-6	AN73A4								BOLT	7	A,B
	AN73A6								BOLT (Used with 5275994)	7	A,B
	1206643								STUD, Ferry fuel booster pump mounting	1	A,B
	1206643-500								STUD, Ferry fuel booster pump mounting (used with 5275994)	1	A,B
	ANS10-3								NUT	1	A,B
	AN960-10								WASHER	8	A,B
-7	4127510-26								LINE	1	A,B
	AN737TW48-56								CLAMP (formerly AN748-56)	2	A,B
-8	TFA12154								PLUG, Vent (TP)	1	A,B
	2193685								COLLAR ASSY, Ferry tank lower inlet	1	A,B
-9	2193685-2								COLLAR, Ferry tank inlet	1	A,B
-10	1193866								RING, Ferry tank inlet collar	1	A,B
-11	1193867								STUD, Ferry tank inlet collar	8	A,B
-12	AN365-428								NUT	8	A,B
-13	4206575								CONNECTOR, Flexible, bomb bay tank to ferry tank	1	A,B

Section II
Group Assembly Parts List

T.O. 1B-26B-4

FIGURE & INDEX NO.	PART NO.	1	2	3	4	5	6	7	DESCRIPTION	UNITS PER ASSY	USABLE ON CODE
102-14	AN737TW107-114								CLAMP	2	A,B
-15	2202248								CONNECTOR ASSY, Bomb bay ferry tank	1	A,B
-16	AN500A10-16								SCREW	7	A,B
-17	AN884-12								HOSE (Spec MIL-H-6000, length as required)	1	A,B
-18	AN737TW34-38								CLAMP	4	A,B
-19	AN884-12								HOSE (Spec MIL-H-6000, length as required)	1	A,B
-20	AN844-12								ELBOW	2	A,B
-21	AN842-16								ELBOW	1	A,B
-22	1203299								TRUNNION, Bomb bay ferry tank support (used with 5191177)	12	A,B
-23	4203320								MCOUNT ASSY, Bomb bay ferry tank shock (reworked Pacific Railway No. 4M792) (used with 5191177)	12	A,B
	2276042								MCOUNT ASSY, Shock (used with 5275994)	12	A,B
									(ATTACHING PARTS)		
-24	AN5-12A								BOLT	1	A,B
	AN960D516								WASHER	1	A,B
	AN365-524								NUT	1	A,B
									* - - -		
-25	1204740								HOOK, Bomb bay ferry tank	4	A,B
									(ATTACHING PARTS)		
-26	AN4-17A								BOLT (One used at sta 133)	2	A,B
	AN4-21A								BOLT (Used at sta 133)	1	A,B
	AN960D416								WASHER	2	A,B
	AN365-428								NUT	2	A,B
-27	AN4-13A								BOLT	2	A,B
	AN960D416								WASHER	2	A,B
	AN365-428								NUT	2	A,B
									* - - -		
-28	2193684								HOOK, Bomb bay ferry tank	8	A,B
									(ATTACHING PARTS)		
-29	AN4-13A								BOLT (Used at sta 166 and 240)	4	A,B
	AN4-21A								BOLT (Used at sta 115 and 213)	1	A,B
	AN4-27A								BOLT (Used at sta 115 and 213)	3	A,B
	AN960D416								WASHER	4	A,B
	AN365-428								NUT	4	A,B
-30	AN4-13A								BOLT (Used at sta 115 and 213)	4	A,B
	AN4-17A								BOLT (Used at sta 166 and 240)	3	A,B
	AN4-21A								BOLT (Used at sta 166 and 240)	1	A,B
	AN960D416								WASHER	4	A,B
	AN365-428								NUT	4	A,B
									* - - -		
		A	USAF	41-39130	thru	41-39499					
		B	USAF	41-39500	thru	41-39599					
				44-34098	thru	44-36753					

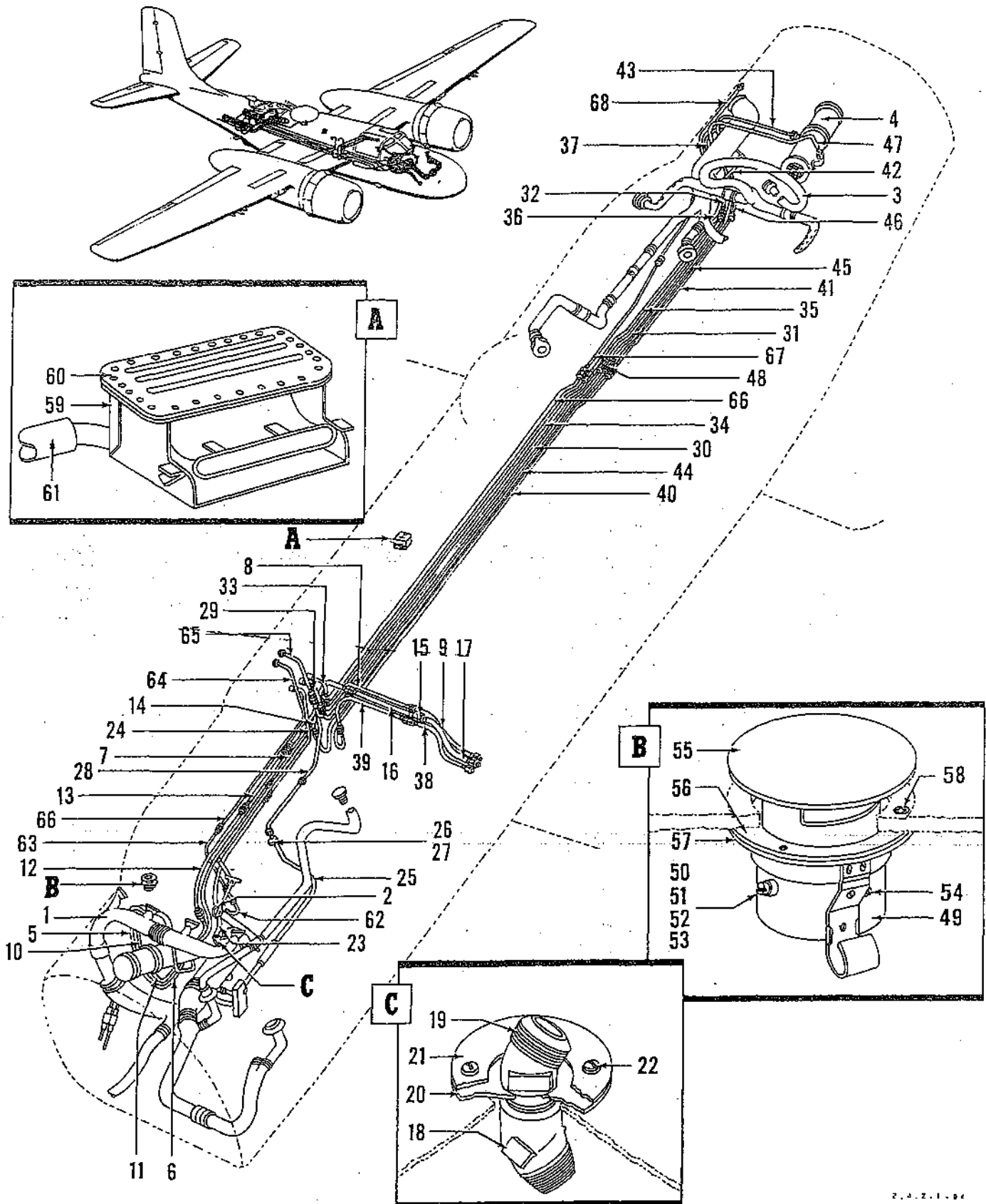


Figure 103. Heat and Vent System Complete

2-4-21-94

Section II

Group Assembly Parts List

T.O. 1B-26B-4

FIGURE & INDEX NO.	PART NO.	1 2 3 4 5 6 7	DESCRIPTION	UNITS PER ASSY	USABLE ON CODE
103-			HEAT AND VENT SYSTEM COMPLETE		
	5153232		HEAT AND VENT SYSTEM INSTL, Fuselage section (see figure 40)	Ref	A,B
-1	5153233		HEAT AND VENT SYSTEM INSTL, Fuselage section forward (see figure 104)	1	A,B
	5193115		RECIRCULATING HEATER INSTL, Forward (see figure 104)	1	A
	5206224		RECIRCULATING HEATER INSTL, Forward (see figure 104)	1	A,B
-2	5194581		HEAT AND VENT CONTROL SYSTEM INSTL, Fuselage section forward (see figure 105)	1	A
	5205084		RECIRCULATING HEATER CONTROL INSTL, Bombardier nose (see figure 105)	1	D
-3	5153234		HEAT AND VENT SYSTEM INSTL, Fuselage section aft (see figure 105)	1	A
-4	5194675		RECIRCULATING HEATER INSTL, Gunner compartment (see figure 105)	1	A
	5194687		HEAT AND VENT FUEL SYSTEM INSTL, Fuselage	1	A
-5	5193000-88		LINE ASSY	1	A
-6	5193000-90		LINE ASSY	1	A
-7	5193000-92		LINE ASSY	1	A
-8	5193000-94		LINE ASSY	1	A
-9	5193000-96		LINE ASSY	1	A
-10	5193000-104		LINE ASSY	1	A
-11	5193000-106		LINE ASSY	1	A
-12	5193000-108		LINE ASSY	1	A
-13	5193000-110		LINE ASSY	1	A
-14	5192585		WYE ASSY, Recirculating heater exhaust converger	1	A
-15	2205535		UNION, Heat and vent exhaust 1 in.	2	A
-16	5193000-112		LINE ASSY	1	A
-17	5193000-114		LINE ASSY	1	A
-18	AN915-6D		ELBOW	1	A
-19	AN823-12D		ELBOW	1	A
-20	1204791		SEAL, Heat and vent fuel line	1	A
-21	1204790		RETAINER, Heat and vent fuel line seal (ATTACHING PARTS)	1	A
-22	AN520-10-1C		SCREW	4	A
	AN960-10		WASHER	4	A
	AN365-1032		NUT	4	A
-23	5193000-100		LINE ASSY	1	A
-24	5193000-102		LINE ASSY	1	A
-25	5193000-116		LINE ASSY	1	A
	1193829		SEAL, Exhaust line	1	A
-26	1193830		RETAINER, Exhaust line seal (ATTACHING PARTS)	1	A
-27	AN520-10-10		BOLT	6	A
	AN960-10		WASHER	6	A
	AN365-1032		NUT	6	A
-28	5193000-118		LINE ASSY	1	A
-29	5192564		WYE ASSY, Recirculating heater exhaust converger	1	A
-30	5193000-132		LINE ASSY	1	A
-31	5193000-130		LINE ASSY	1	A
-32	5193000-128		LINE ASSY	1	A
-33	5193000-86		LINE ASSY	1	A
-34	5193000-84		LINE ASSY	1	A
-35	5193000-82		LINE ASSY	1	A
-36	5193000-80		LINE ASSY	1	A
-37	5193000-134		LINE ASSY	1	A
-38	5193000-78		LINE ASSY	1	A
-39	5193000-76		LINE ASSY	1	A
-40	5193000-74		LINE ASSY	1	A
-41	5193000-72		LINE ASSY	1	A
-42	5193000-70		LINE ASSY	1	A
-43	5193000-68		LINE ASSY	1	A
-44	5193000-126		LINE ASSY	1	A
-45	5193000-124		LINE ASSY	1	A
-46	5193000-122		LINE ASSY	1	A
-47	5193000-120		LINE ASSY	1	A
-48	2205536		UNION, Heat and vent exhaust 3/4 in.	13	A
	AN815-12D		UNION, Flared tube	14	A
	3209439		AUXILIARY VENTILATOR INSTL	1	B
-49	2209342		NOZZLE, Auxiliary ventilator (ATTACHING PARTS)	1	B
-50	AN500-6-6		SCREW	2	B
-51	NAS43HT2-08		SPACER (formerly 117425-25004)	1	B
-52	AN960D6		WASHER	2	B
-53	AN365-632		NUT	2	B
-54	AN500-6-8		SCREW	1	B
	AN960D6		WASHER	1	B
	AN365-632		NUT	1	B
-55	2209339		TUBE ASSY, Auxiliary ventilator	1	B

FIGURE & INDEX NO.	PART NO.	1	2	3	4	5	6	7	DESCRIPTION	UNITS PER ASSY	USABLE ON CODE
103-56	2110163A201-305-004								WASHER, Felt	1	B
-57	2209341								RETAINER ASSY, Auxiliary ventilator	1	B
									(ATTACHING PARTS)		
-58	1029421-6-10								SCREW, Flathead 100° recessed	3	B
	AN960D6								WASHER	3	B
	AN365-632								NUT	3	B
	5203997								BOMB BAY EXHAUST INSTL	1	A,B
-59	5203987								EXHAUST ASSY, Bomb bay vent	1	A,B
-60	4203980								OUTLET, Bomb bay exhaust	1	A,B
-61	1080930-12D.124-816								HOSE, Synthetic rubber 40-50 shore hardness	1	A,B
	5207971								HEAT AND VENT FUEL SYSTEM INSTL, Fuselage section	Ref	C
									(see figure 40)		
-62	5208242-516								LINE	1	C
-63	5208242-514								LINE	1	C
-64	5208242-512								LINE	1	C
-65	5208242-502								LINE	1	C
-66	5208242-504								LINE	1	C
-67	5208242-506								LINE	1	C
-68	5208242-510								LINE	1	C
									A USAF 41-39100 thru 41-39349		
									43-22252 thru 43-22453		
									43-22467 thru 43-22751		
									B USAF 41-39350 thru 41-39599		
									43-22454 thru 43-22751		
									C USAF 44-34098 thru 44-35197		
									44-35198 thru 44-36797		
									D USAF 43-22466 thru 43-22564		

Section II
Group Assembly Parts List

T.O. 1B-26B-4
FUSELAGE

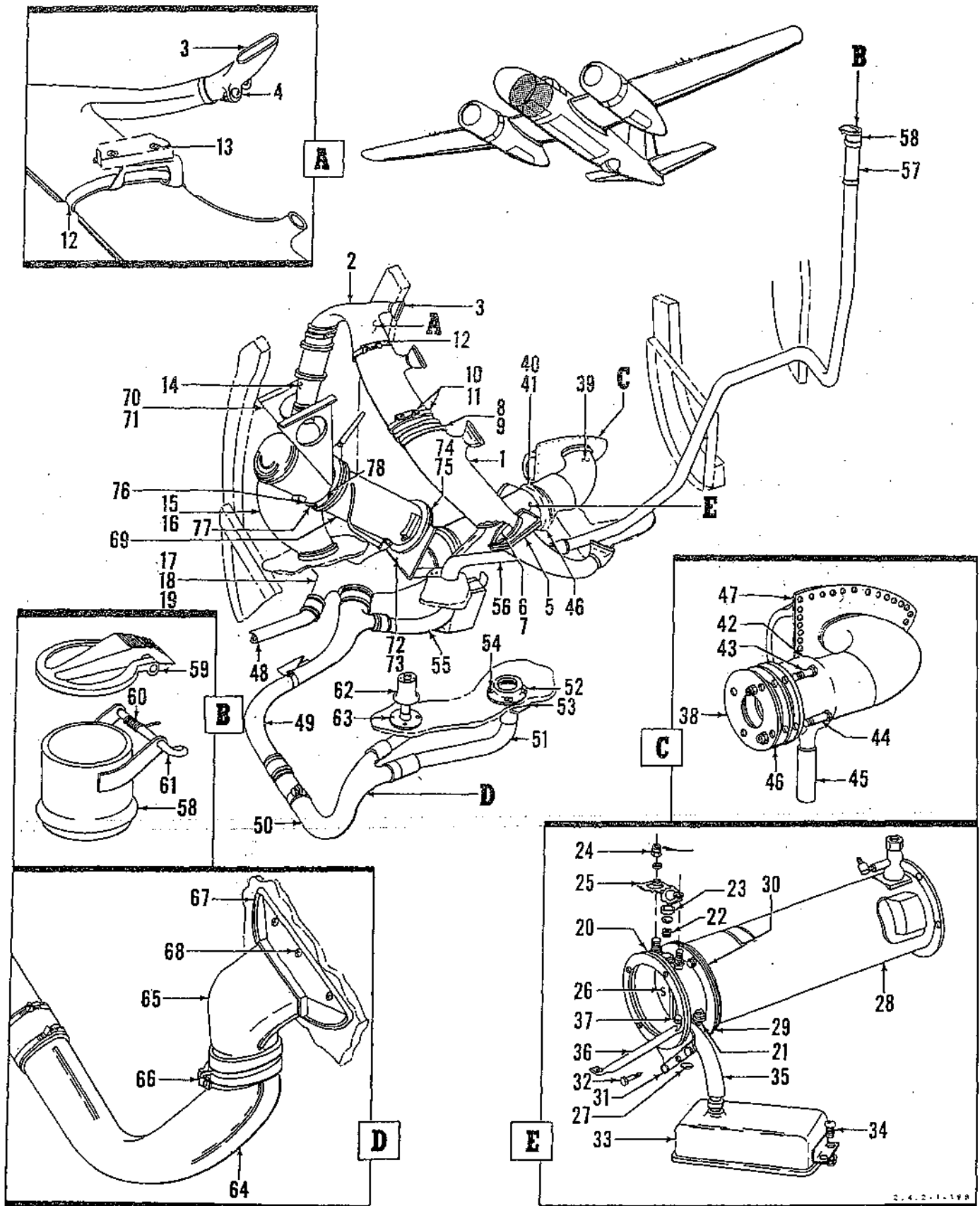


Figure 104. Fuselage Section Forward Heat and Vent System Installation

FIGURE & INDEX NO.	PART NO.	1 2 3 4 5 6 7	DESCRIPTION	UNITS PER ASSY	USABLE ON CODE
104-	5153233		HEAT AND VENT SYSTEM INSTL, Fuselage section forward	Ref	A-D
			(see figure 103)		
	5190587		WINDSHIELD DEFROSTER INSTL	1	A-D
-1	5190592		DUCT ASSY, Windshield defroster	1	A-D
-2	5191221		DUCT ASSY, Windshield defroster	1	A-D
-3	4190369		OUTLET, Windshield defroster	4	A-D
			(ATTACHING PARTS)		
-4	AN520-10-10		SCREW	2	A-D
	124682-3F7-062		WASHER	2	A-D
	AN365-1032		NUT	2	A-D
			-----*		
	K7139-6-0208		TUBE (USR)	4	A-D
-5	2204946		HANGER ASSY	1	A-D
-6	1204947		STRAP ASSY	1	A-D
			(ATTACHING PARTS)		
-7	AN530-8R8		SCREW	2	A-D
	A1778-821		NUT (TIN)	2	A-D
			-----*		
-8	2192632		SUPPORT ASSY	1	A-D
			(ATTACHING PARTS)		
-9	AN530-8R6		SCREW	2	A-D
			-----*		
-10	2195047		CLAMP ASSY	1	A-D
			(ATTACHING PARTS)		
-11	1114189Z8-12		SCREW	2	A-D
	A1778-821		NUT (TIN)	2	A-D
			-----*		
-12	2195048		CLAMP ASSY	1	A-D
			(ATTACHING PARTS)		
-13	1114189Z8-12		SCREW	2	A-D
	A1778-821		NUT (TIN)	2	A-D
			-----*		
-14	2193659		DUCT ASSY, Pilot's compartment to windshield	1	A-D
	K7139-8-0300		TUBE (USR)	1	A-D
	MA3-1/2		CLAMP (ACT)	2	A-D
-15	5193083		DUCT ASSY, Pilot's compartment outlet	1	A-C
	K7139-14-0216		TUBE (USR)	1	A-C
	MA-5		CLAMP (ACT)	2	A-C
-16	5209322		DUCT ASSY	1	D
	K7139-14-0316		TUBE (USR)	1	D
	MA-5		CLAMP (ACT)	2	D
-17	5194506		MANIFOLD ASSY, Pilot's compartment	1	A-D
			(ATTACHING PARTS)		
-18	AN520-10-10		SCREW	3	A-D
	AN365-1032		NUT	3	A-D
-19	AN520-10-12		SCREW	1	A-D
	AN365-1032		NUT	1	A-D
			-----*		
	5194529		DUCTING HEATER AND MODULATOR INSTL, Forward	1	A-D
	4192895		VALVE ASSY, Air control	1	A-D
-20	4192896		CASE ASSY, Air control valve	2	A-D
			(ATTACHING PARTS)		
-21	AN3-5A		BOLT	2	A-D
	AN960D10		WASHER	4	A-D
	AN365-1032		NUT	2	A-D
			-----*		
-22	F312-1		BEARING, Oilite (AXD)	2	A-D
	C193X10		PACKING, Mogul (JM)	2	A-D
-23	1192379		NUT, Air valve oil bulb retaining	2	A-D
	143908-015D025-091		WASHER	1	A-D
-24	AN365-1032		NUT	2	A-D
	AN960-416		WASHER	5	A-D
-25	2192688		GEAR, Air valve coupling	2	A-D
-26	4192897		VANE ASSY, Air control valve	2	A-D
-27	124681D13-091		DISC	1	A-D
-28	4191524		HEATER ASSY, Gasoline combustion	1	A-D
-29	1150432		GASKET, Heat and vent combustion heater	1	A-D
-30	AN3-5		BOLT	4	A-D
-31	4129445		BRACKET, Heater support forward	1	A-D
			(ATTACHING PARTS)		
-32	AN520-10-10		SCREW	3	A-D
	22A1-02BC100X188		NUT (EN)	3	A-D
			-----*		
-33	4191563		CONTROL ASSY, Air duct valve electric drive	1	A-D
			(ATTACHING PARTS)		
-34	AN520-10-8		SCREW	4	A-D
	AN365-1032		NUT	4	A-D
			-----*		
-35	1193945		SHAFT ASSY, Modulator control flexible	1	A-D
-36	1154458		SUPPORT ASSY, Forward heater	1	A-D
			(ATTACHING PARTS)		
-37	AN520-10-16		SCREW	1	A-D
	AN365-1032		NUT	1	A-D
			-----*		
-38	2275194		ORIFICE, Ventilator	1	D
-39	5194533		DUCT ASSY, Forward scoop to heater	1	A
	AN520-10-10		SCREW	2	A

Section II
Group Assembly Parts List

T.O. 1B-26B-4

FIGURE & INDEX NO.	PART NO.	1	2	3	4	5	6	7	DESCRIPTION	UNITS PER ASSY	USABLE ON CODE
104-	AN520-10-12								SCREW	2	A
	AN365-1032								NUT	2	A
	No Number								HOSE, 1/2-in. long (make from hose Spec MIL-H-6000)	1	A
-40	117426-6D008								SPACER	2	A
-41	1150432								GASKET	1	A
-42	5203864								DUCT ASSY, Forward duct to heater	1	B-D
-43	AN3-5								BOLT	2	B-D
	AN365-1032								NUT	2	B-D
-44	AN3-6								BOLT	2	B-D
	AN365-1032								NUT	2	B-D
-45	No Number								HOSE, 1/2-in. long (make from hose Spec MIL-H-6000)	1	B-D
-46	1150432								GASKET, Heat and vent combustion heater	1	B-D
	5193191								COLD AIR SCOOP INSTL, Forward	1	A-D
-47	5193168								SCOOP ASSY, Cold air forward	1	A-D
-48	4193454								DUCT ASSY, Automatic flight control equipment	1	A-D
-49	5193082								DUCT ASSY	1	A-D
	K7139-9-0300								TUBE (USR)	1	A-D
	MA3-1/2								CLAMP	2	A-D
-50	5193061								WYE ASSY, Pilot's foot warmer	1	A-C
	K7139-8-0300								TUBE (USR)	1	A-C
	MA3-1/2								CLAMP (ACT)	2	A-C
-51	4192943								ELBOW ASSY, Pilot's foot warmer	1	A-C
-52	3693								ANEMOSTAT, Diffuser size 5 type CPS (ANE)	1	A-C
-53	215660								RETAINER, Pilot's foot warmer diffuser (ATTACHING PARTS)	1	A-C
-54	AN530-10-8								SCREW	4	A-C
	A1779-10Z1								NUT (TIN)	4	A-C
-55	4193527								DUCT ASSY, Flexible defroster forward	1	A-C
	K7139-8-0300								TUBE (USR)	1	A-C
	MA3-1/2								CLAMP (ACT)	2	A-C
-56	4193529								DUCT ASSY	1	A-C
	K7139-8-0300								TUBE (USR)	1	A-C
	MA3-1/2								CLAMP (ACT)	2	A-C
-57	1193390								HOSE ASSY, Flexible defrosting (see figure 108)	1	A-C
	MA3-1/2								CLAMP	1	A-C
	4193402								CLOSURE ASSY, Flexible defrosting hose	1	A-C
-58	1193375								OUTLET ASSY, Flexible defrosting hose	1	A-C
-59	2192789								COVER, Flexible defrosting hose	1	A-C
-60	1193347								SPRING, Flexible defrosting hose cover	1	A-C
-61	1193345								PIN, Flexible defrosting hose cover retainer	1	A-C
-62	4204714								DUCT ASSY, Pilot's auxiliary outlet (ATTACHING PARTS)	1	A-C
-63	AN530-8-8								SCREW	3	A-C
	A1178-8Z1								NUT (TIN)	3	A-C
-64	K7139-5-0300								TUBE (USR)	1	A-C
	5205655								DUCT ASSY	1	D
	MA3-1/2								CLAMP (ACT)	2	D
-65	K7139-14-0300								TUBE (USR)	1	D
	3205571								DUCT ASSY, Pilot's foot warmer (ATTACHING PARTS)	1	D
-66	1114190A8R6								SCREW	2	D
	4206854-316								CLAMP (ACT)	1	D
-67	4206213								DIFFUSER ASSY, Heat and vent (ATTACHING PARTS)	1	D
-68	AN530-10R6								SCREW	5	D
	A6195-10Z1								NUT (TIN)	5	D
	5193115								RECIRCULATING HEATER INSTL, Forward (see figure 103)	Ref	A,B
	5206224								RECIRCULATING HEATER INSTL, Forward (see figure 103)	Ref	C
-69	4191524								HEATER ASSY	1	A-C
-70	5193110								BRACKET ASSY (ATTACHING PARTS)	1	A-C
-71	1029421-10-12								SCREW, Flathead 100° recessed	6	A-C
	AN960-10L								WASHER	6	A-C
	AN365-1032								NUT	6	A-C
-72	5193139								BRACKET, Forward recirculating heater lower	1	A,B
-73	5206223								BRACKET, Forward recirculating heater lower	1	C
-74	YUA1146								GRILL ASSY (BCC) (ATTACHING PARTS)	1	A-C
-75	AN520-10-18								SCREW	4	A-C
	AN960-10L								WASHER	8	A-C
	AN365-1032								NUT	4	A-C
-76	5154960								FAN ASSY (ATTACHING PARTS)	1	A-C
-77	AN520-10-18								SCREW	4	A-C
	AN960-10L								WASHER	8	A-C
	AN365-1032								NUT	4	A-C
-78	1150432								GASKET, Heat and vent combustion heater	1	A-C

FIGURE & INDEX NO.	PART NO.	1 2 3 4 5 6 7	DESCRIPTION	UNITS PER ASSY	USABLE ON CODE
104-			<p>A USAF 41-39100 thru 41-39119 43-22252 thru 43-22256</p> <p>B USAF 41-39120 thru 41-39139 43-22257 thru 43-22301</p> <p>C USAF 41-39140 thru 41-39349 43-22302 thru 43-22453 43-22467 thru 43-22564</p> <p>D USAF 41-39350 thru 41-39599 43-22454 thru 43-22466 43-22565 thru 43-22751</p>		

Section II
Group Assembly Parts List

T.O. 1B-26B-4
FUSELAGE

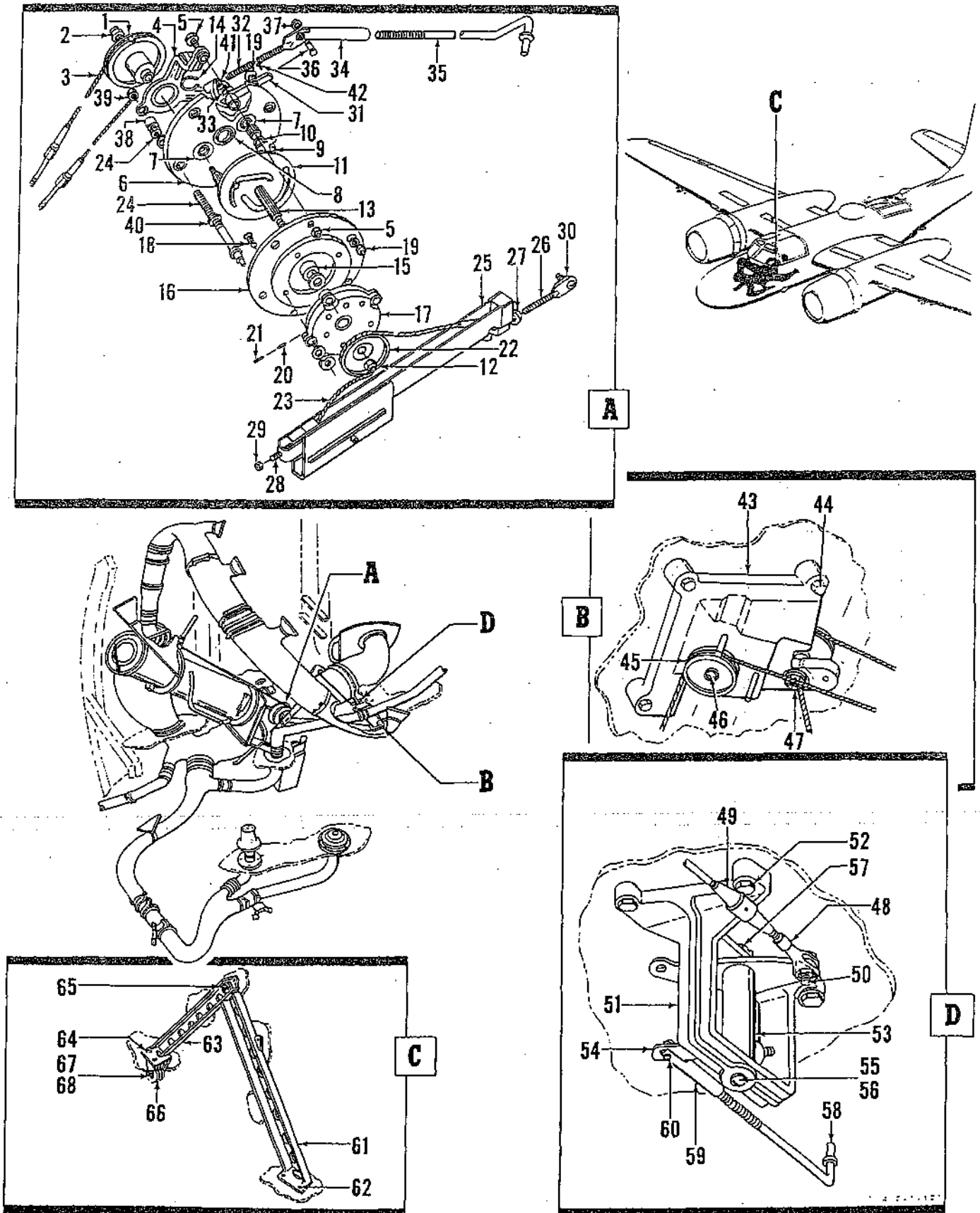


Figure 105. Heat and Vent System Forward and Recirculating Control Installation

FIGURE & INDEX NO.	PART NO.	DESCRIPTION							UNITS PER ASSY	USABLE ON CODE
		1	2	3	4	5	6	7		
105-		HEAT AND VENT SYSTEM FORWARD AND RECIRCULATING CONTROL INSTL								
	5194581	HEAT AND VENT CONTROL SYSTEM INSTL, Fuselage							Ref	A
		section forward (see figure 103)								
-1	2193725	DRUM, Duct heater throttle operating							1	A
-2	AN365-1032	NUT							1	A
-3	1193910	CABLE ASSY, Duct heater throttle control							1	A
-4	4193511	SUPPORT ASSY, Heater throttle control shaft							1	A
		(ATTACHING PARTS)								
-5	AN4-12A	BOLT							2	A
	AN365-428	NUT							2	A
		-----*								
	1193927	BEARING, Heater throttle control shaft							1	A
	4193509	CONTROL ASSY, Cabin heater							1	A
	4193416	CONTROL ASSY, Cabin heater (see figure 106)							Ref	A
	4192939	COVER ASSY, Cabin heater and control case							1	A
-6	4192939-2	COVER							1	A
-7	A412-10	BEARING, Oilite (press to fit) (AXD)							2	A
-8	A506-2	BEARING, Oilite (press to fit) (AXD)							1	A
-9	1193392	CRANK ASSY, Heater control							2	A
-10	1193381	RING, Heater control crankshaft snap							4	A
	1193278	CAM ASSY, Heater control							1	A
-11	4192935	CAM, Cabin heater control							1	A
-12	AN364-428	NUT							1	A
-13	1193325	SHAFT, Heater control main							1	A
	1026614-5-004	SPACER, OD bearing							1	A
-14	1193382	RING, Heater control shaft snap							1	A
-15	NAS43HT5-18	SPACER (formerly 117425-58009)							1	A
	AN960D516L	WASHER							AR	A
-16	4192934	CASE, Cabin heater control							1	A
-17	5158945-6	SWITCH ASSY, Cabin heater rotary selector							1	A
		variable contact								
-18	AN507-1032-16	SCREW							4	A
	AN960-10L	WASHER							4	A
	AN364-1032	NUT							4	A
-19	AN507-1032-10	SCREW							3	A
	AN960-10L	WASHER							3	A
	AN364-1032	NUT							3	A
-20	1193321	PIN, Heater control ratchet							1	A
-21	1193374	SPRING, Heater control ratchet							1	A
-22	2193724	DRUM, Heater control operating							1	A
-23	1193908	CABLE ASSY, Heater control operating							1	A
-24	1193928	BOLT, Heater control guide							1	A
	940-7	WASHER (USAF standard)							1	A
-25	AN316-4R	NUT							1	A
	4193510	CHANNEL ASSY, Heater control operating							1	A
-26	1193905-4	EYE, Heater control adjustment							1	A
-27	AN316-4R	NUT							1	A
-28	1193909	END, Heater control cable adjustment							1	A
-29	AN365-1032	NUT							1	A
-30	AN23-10	BOLT							1	A
	AN960D10	WASHER							1	A
	AN320-3	NUT							1	A
-31	2193726	ARM, Recirculating heater throttle control							1	A
-32	1193905-2	EYE, Heater control adjustment							1	A
-33	AN365-1032	NUT							1	A
-34	1193904	CLEVIS, Heater control adjustment link							1	A
-35	1193903-4	LINK, Fuselage heater control							1	A
-36	AN392-13	PIN							2	A
-37	940-11	WASHER (USAF standard)							1	A
-38	2033901-7D265-017	BUSHING							1	A
-39	AN320-4	NUT							1	A
-40	AN316-4R	NUT							1	A
-41	1203854	BEARING ASSY, Heater control arm							2	A
-42	AN530-8-8	SCREW							1	A
-43	4193507	BRACKET ASSY, Fuselage heater control pulley							1	A
		(ATTACHING PARTS)								
-44	AN3-7A	BOLT							3	A
	AN365-1032	NUT							3	A
		-----*								
-45	AN210-1A	PULLEY							2	A
-46	AN23-21	BOLT							1	A
	AN960-3	WASHER							1	A
	AN320-3	NUT							1	A
-47	AN23-19	BOLT							1	A
	AN960-3	WASHER							1	A
	AN320-3	NUT							2	A
-48	AN161-8RS	FORK							2	A
-49	AN155-8S	BARREL							2	A
-50	AN23-9	BOLT							2	A
	AN320-3	NUT							1	A
-51	4193508	BRACKET, Heater control bellcrank fuselage							1	A
		(ATTACHING PARTS)								
-52	AN3-12A	BOLT							3	A

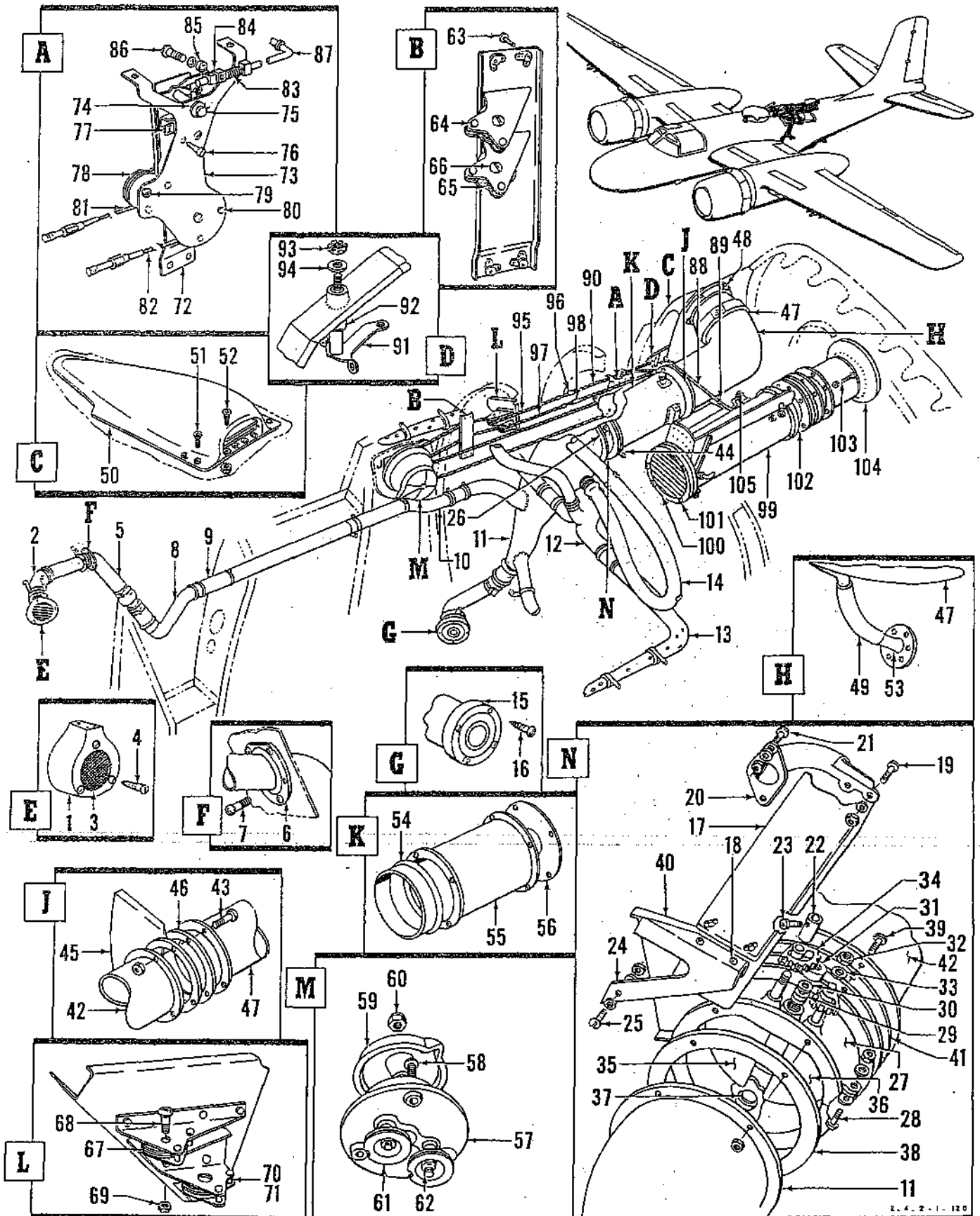


Figure 106. Fuselage Aft Section Heat and Vent System Installation

Section II

T.O. 1B-26B-4

Group Assembly Parts List

FIGURE & INDEX NO.	PART NO.	1	2	3	4	5	6	7	DESCRIPTION	UNITS PER ASSY	USABLE ON CODE
106-	5153234	HEAT AND VENT SYSTEM INSTL, Fuselage section aft (see figure 103) ...							Ref	A,B	
-1	2192126	SUPPORT, Upper turret heating duct							1	A	
-2	4191035	OUTLET ASSY, Heat and vent to upper turret							1	A	
-3	1192201	SCREEN, Upper turret heating duct							1	A	
-4	AN530-8-10	(ATTACHING PARTS)									
	A1778-8Z1	SCREW							3	A	
		NUT, Speed (TIN)							3	A	
-5	4194691	ELBOW ASSY, Heat and vent to upper turret 60°							1	A	
-6	2191038	SEAL ASSY, Heat and vent at canted bulkhead							1	A	
-7	AN520-8-10	(ATTACHING PARTS)									
	A1778-8Z1	SCREW							5	A	
		NUT, Speed (TIN)							5	A	
-8	5191082	DUCT ASSY, Heat and vent to upper turret sta 250							1	A	
-9	2062667-222	DUCT, Beaded air							1	A	
	BB2608										
-10	4191045	DUCT ASSY, Heater manifold to upper turret coupling							1	A	
-11	5192571	MANIFOLD ASSY, Heater aft							1	A	
-12	5192557	WYE ASSY, Rear enclosure defroster							1	A	
-13	5192540	DEFROSTER ASSY, Gunner's compartment enclosure LH							1	A	
	5192540-1	DEFROSTER ASSY, Gunner's compartment enclosure RH							1	A	
-14	1193390	HOSE ASSY, Flexible defrosting (see figure 108)							1		
	5192523	DUCT ASSY, Gunner foot warmer							1	A,B	
-15	3690	DIFFUSER ASSY (ANE)							1	A,B	
-16	AN530-6-6	(ATTACHING PARTS)									
		SCREW							4	A,B	
-17	5193072	AIR VALVE AND ELECTRIC CONTROL INSTL, Aft							1	A,B	
	4191563	CONTROL ASSY, Air duct valve electric drive							1	A,B	
-18	AN520-10-8	SCREW							2	A,B	
	AN960-10D	WASHER							4	A,B	
	AN365-1032	NUT							2	A,B	
-19	AN520-10-10	SCREW							2	A,B	
	AN960-10D	WASHER							4	A,B	
	AN365-1032	NUT							2	A,B	
-20	4191590	CASTING, Aft modulator support sta 315							1	A,B	
		(ATTACHING PARTS)									
-21	AN520-10-10	SCREW							2	A,B	
	AN960-10D	WASHER							4	A,B	
	AN365-1032	NUT							2	A,B	
-22	1202280	COUPLING, Air valve to aft modulator							1	A,B	
		(ATTACHING PARTS)									
-23	AN502-10-4	SCREW							1	A,B	
-24	4192809	BRACKET, Aft modulator support							1	A,B	
		(ATTACHING PARTS)									
-25	AN520-10-8	SCREW							2	A,B	
	AN960-10D	WASHER							4	A,B	
	AN365-1032	NUT							2	A,B	
-26	4191153	VALVE ASSY, Aft air control							1	A,B	
-27	4192896	CASE ASSY, Air control valve							2	A,B	
	F312-1	BEARING, Oillite (press to fit) (AXD)							2	A,B	
-28	AN3-5A	BOLT							2	A,B	
	AN960-10	WASHER							4	A,B	
	AN365-1032	NUT							2	A,B	
-29	C-193	PACKING, Mogul 1/16 in. dia (JM)(GFP)							2	A,B	
-30	143908-015	WASHER							1	A,B	
	D025-091										
-31	1192379	NUT, Air valve oil bulb retaining							2	A,B	
-32	AN365-1032	NUT							1	A,B	
-33	AN960-416	WASHER							AR	A,B	
-34	2192688	GEAR, Air valve coupling							2	A,B	
-35	4191152	VANE ASSY, Aft air control valve							1	A,B	
-36	4192897	VANE ASSY, Aft air control valve							1	A,B	
-37	124681D13-091	DISC							1	A,B	
-38	1150432	GASKET, Heat and vent combustion heater							1	A,B	
-39	AN520-10-10	SCREW							4	A,B	
	AN365-1032	NUT							4	A,B	
-40	4129432	BRACKET, Aft heater supporting sta 315							1	A,B	
-41	1150432	GASKET, Heat and vent combustion heater							2	A,B	
-42	4191524	HEATER ASSY, Gasoline combustion							1	A	
		(tested Stewart-Werner No. 791-X) (see T.O. 15H1-2-2-1)									
-43	AN3-5	BOLT							4	A,B	
	AN365-1032	NUT							4	A,B	
-44	AN822-12D	ELBOW							1	A	
-45	5128698	BRACKET, Aft heater supporting sta 382							1	A,B	
-46	1150432	GASKET, Heat and vent combustion heater							2	A,B	
-47	5193182	DUCT ASSY, Heat to aft scoop							1	A,B	
-48	AN3-5	BOLT							4	A,B	
	AN365-1032	NUT							4	A,B	
-49	No Number	HOSE, 1/2 ID by 1 3/4 in. long (make from hose Spec MIL-H-6000)							1	A,B	
	5194919	COLD AIRSCOOP INSTL, Aft							1	A,B	

FIGURE & INDEX NO.	PART NO.	1	2	3	4	5	6	7	DESCRIPTION	UNITS PER ASSY	USABLE ON CODE
106-50	5194718								SCOOP ASSY, Cold air aft (ATTACHING PARTS)	1	A,B
-51	1087510-10-10								SCREW, Steel 100° recessed flathead	4	A,B
-52	AN507-1032R7								SCREW (Formerly 1087510-10-7)	4	A,B
	AN365-1032								NUT	4	A,B
									-----*		
-53	1193851								OUTLET ASSY, Water drain	1	A,B
-54	2275683								SEAL ASSY, Aft manifold	2	A,B
-55	4275186								DUCT ASSY, Heater replacement	1	B
-56	2275194								ORIFICE, Venturi	1	B
	5203037								HEAT AND VENT CONTROL INSTL, Gunner compartment	1	A
-57	4193416								CONTROL ASSY, Cabin heater (see figure 105) (ATTACHING PARTS)	1	A
-58	AN520-10-16								SCREW	3	A
									-----*		
-59	4192944								HANDLE ASSY, Heater control (ATTACHING PARTS)	1	A
-60	AN365-428								NUT	1	A
									-----*		
-61	3202997								DRUM, Aft heater throttle operating	2	A
-62	AN365-1032								NUT	2	A
	4202957								BRACKET ASSY, Aft heater control pulley (ATTACHING PARTS)	1	A
-63	AN520B-10-10								SCREW	4	A
-64	AN392-19								PIN	4	A
									-----*		
-65	AN210-1A								PULLEY	2	A
-66	AN23-13								BOLT	2	A
	AN320-3								NUT	1	A
	4202961								BRACKET ASSY, Recirculating heater upper pulley	1	A
-67	AN210-1A								PULLEY	2	A
-68	AN23-12								BOLT	2	A
-69	AN320-3								NUT	2	A
-70	AN392-19								PIN	4	A
-71	AN960-4L								WASHER	10	A
	4203126								BRACKET ASSY, Aft ducting heater control	1	A
-72	4203118								LEG ASSY, Aft crank end pulley	1	A
-73	4203086								SUPPORT ASSY, Aft crank end pulley	1	A
-74	AN960-416								WASHER	2	A
-75	2203097								CRANK ASSY, Aft ducting heater control	1	A
-76	AN530-8-6								SCREW	2	A
-77	A6065-8Z1								NUT (TIN)	1	A
-78	AN210-1A								PULLEY	2	A
-79	AN23-13								BOLT	2	A
	AN320-3								NUT	2	A
-80	AN392-19								PIN	4	A
	AN960D10L								WASHER	4	A
-81	1203165-2								CABLE ASSY, Aft heater control connecting	1	A
-82	1203165-4								CABLE ASSY, Aft heater control connecting	1	A
-83	1193884								SPRING, Flexible override control	1	A
-84	1193883								BLOCK, Flexible override control	3	A
-85	2033900								SPACER, Chromium molybdenum steel	1	A
	48035-003								SCREW	3	A
-86	AN500-8-4								WASHER	1	A
	AN960C8								LINK, Aft ducting heater control	1	A
-87	1203164								ROD ASSY, Aft recirculating heater control	1	A
-88	1203064								NUT	2	A
-89	AN316-4R								CONTROL ASSY, Aft recirculating heater	1	A
	2203087								CABLE ASSY	2	A
-90	1203165-6								CRANK ASSY, Aft recirculating heater control	1	A
-91	2203008								WASHER	1	A
-92	AN960-616								NUT	1	A
-93	AN320-4								WASHER	1	A
-94	AN960-416L								CABLE ASSY	1	A
-95	2203085-2								BARREL	2	A
-96	AN155-8S								CABLE ASSY	1	A
-97	2203085-4								BARREL	2	A
-98	AN155-8S								RECIRCULATING HEATER INSTL, Gunner compartment (see figure 103)	Ref	A
-99	4191524								HEATER ASSY, Gasoline combustion 40,000 BTU (tested Stewart-Warner No. 791-X) (see T.O. 15H1-2-2-1)	1	A
-100	YUA1146								GRILLE ASSY, Round aluminum (BCC) (ATTACHING PARTS)	1	A
-101	AN520-10-16								SCREW	6	A
	AN960-10L								WASHER	12	A
	AN365-1032								NUT	6	A
									-----*		
-102	1150432								GASKET, Heat and vent combustion heater	2	A
-103	AN520-10-12								SCREW	6	A
	AN960-10L								WASHER	12	A
	AN365-1032								NUT	6	A
-104	5154960								FAN ASSY, Recirculating heater	1	A
-105	AN816-12D								NIPPLE	1	A
		A USAF	41-39100	thru	41-39349	B USAF	41-39350	thru	41-39599		
			43-22252	thru	43-22453		43-22454	thru	43-22466		
			43-22467	thru	43-22564		43-22565	thru	43-22751		

Section II
Group Assembly Parts List

T.O. 1B-26B-4
FUSELAGE

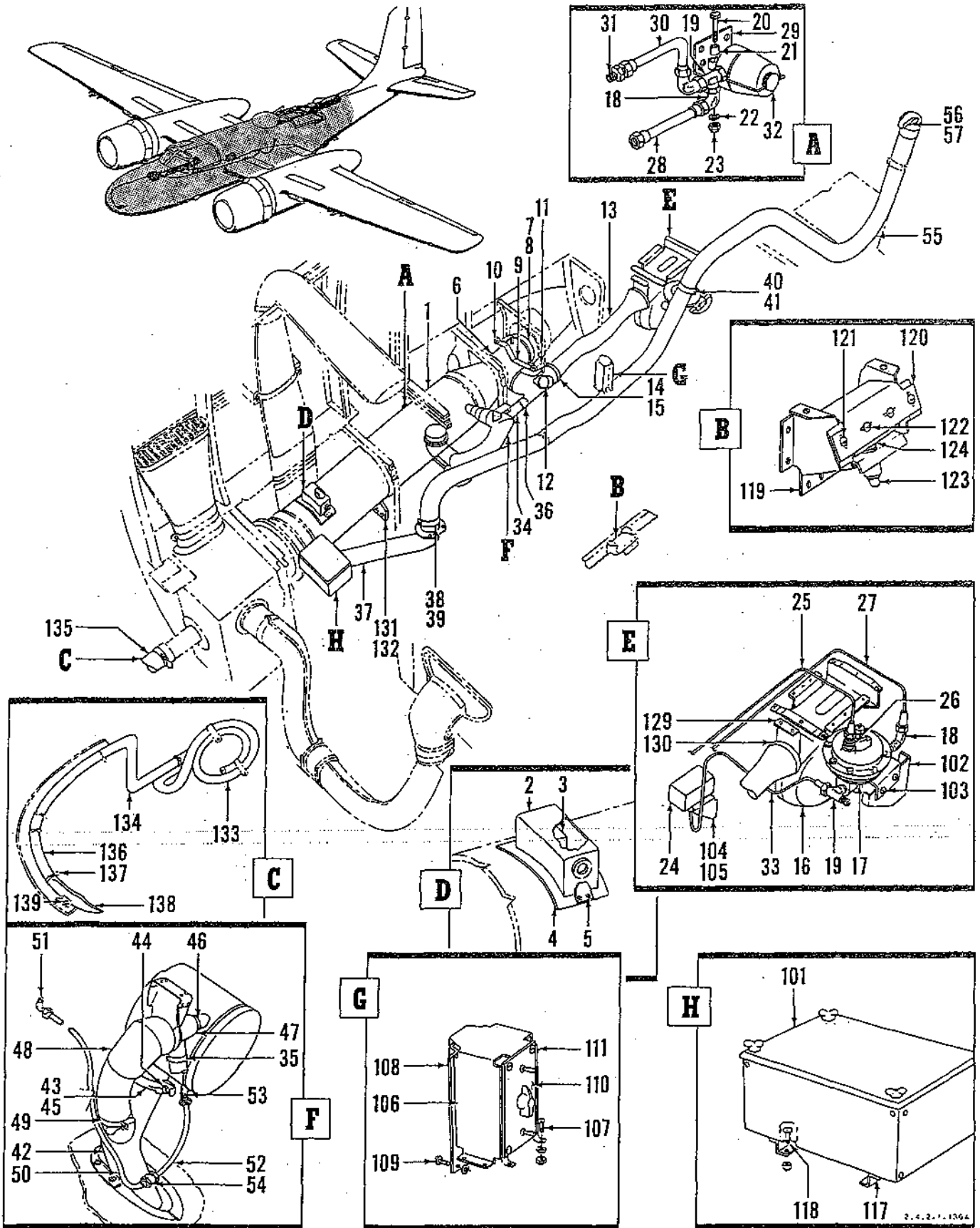


Figure 107. Heat and Vent System Fuselage Kit Assembly (Sheet 1 of 2)

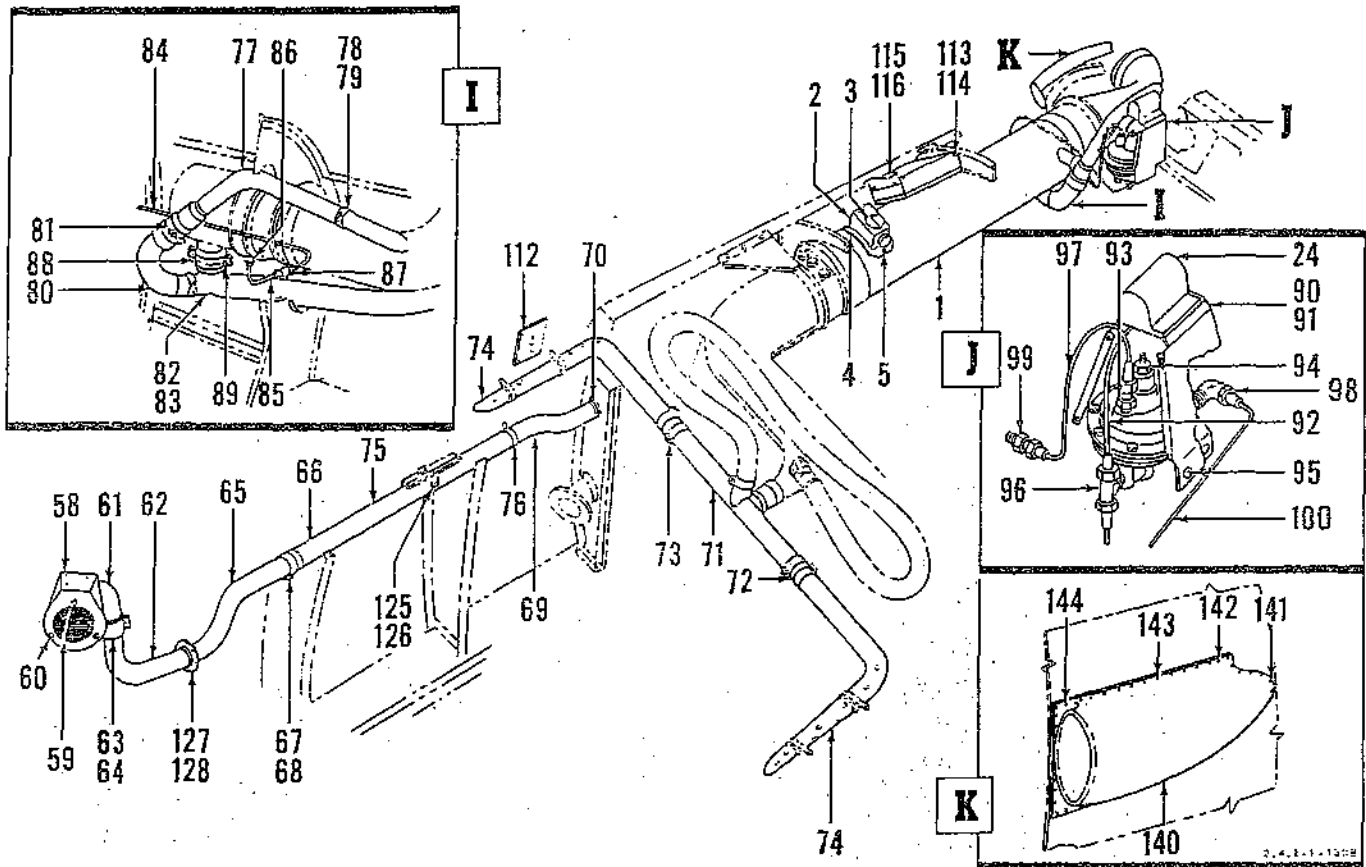


Figure 107. Heat and Vent System Fuselage Kit Assembly (Sheet 2 of 2)

FIGURE & INDEX NO.	PART NO.	DESCRIPTION							UNITS PER ASSY	USABLE ON CODE
		1	2	3	4	5	6	7		
107-	5275766	KIT ASSY, Heat and vent system fuselage							1	A
-1	48A63	HEATER, Ram operated vapor type 100,000 BTU (see T.O. 15H1-2-4-1) (SUC) (parts to be in accordance with Douglas Spec drawing number 5205044)							2	A
-2	4276828	BOX ASSY, Heater overheat switch							2	A
-3	S1355	DETECTOR, Fire (FEN)							2	A
-4	2276867	GASKET, Heater overheat switch box							2	A
-5	1114190A8R6	SCREW, Sheet metal recessed roundhead							8	A
-6	3207744	VALVE ASSY, Ground defrosting deflector (see figure 108)							1	A
-7	4206854-524	CLAMP							1	A
-8	AN530-8R8	SCREW							AR	A
-9	2209169	LINK, Ground diverter air valve							1	A
-10	AN3-5	BOLT							2	A
	AN310-3	NUT							2	A
-11	2209693	SHAFT ASSY, Blower duct							1	A
-12	2209628	BLADE ASSY, Blower duct							1	A
	AN960D10	WASHER							2	A
-13	3207353	DUCT, Air damper valve to blower							1	A
-14	2208440	SUPPORT							1	A
-15	AN515-6-8	SCREW							1	A
	AN365-632	NUT							1	A
-16	CM040-6CC	BLOWER, Ground defroster centrifugal (parts to be in accordance with Douglas Spec drawing number 3208222)							1	A
-17	48A15	REGULATOR, Fuel flow heat and vent (T.O. 15H1-2-4-1) (parts to be in accordance with Douglas Spec drawing number 4207883)							2	A
-18	AN822-4D	ELBOW							3	A
-19	AN825-4D	TEE							4	A
-20	AN3-26A	BOLT							2	A
-21	2033900-5D049-104	SPACER							2	A
-22	AN960-10	WASHER							2	A
-23	AN365-1032	NUT							2	A
-24	B103DIE-D	SWITCH, Pressure (PSN)							2	A
-25	5207752-506	LINE ASSY, Fuel pressure regulator							2	A

Section II
Group Assembly Parts List

T.O. 1B-26B-4

FIGURE & INDEX NO.	PART NO.	1	2	3	4	5	6	7	DESCRIPTION	UNITS PER ASSY	USABLE ON CODE
107-26	AN816-4D								NIPPLE	1	A
-27	5207752-508								LINE ASSY, Fuel pressure regulator	1	A
-28	5208241-520								LINE ASSY	1	A
-29	2278041								SUPPORT	1	A
-30	5208241-506								LINE ASSY	1	A
-31	AN816-4D								NIPPLE	1	A
-32	13836								FILTER ASSY, Micronic midgat (AP)	1	A
-33	5207752-510								LINE ASSY, Fuel pressure regulator	1	A
-34	4207755								DUCT ASSY, Combustion air forward	1	A
-35	MA3-1/2								CLAMP (ACT)	1	A
-36	K7139-6-0116								HOSE	1	A
-37	3207646								DUCT ASSY	1	A
-38	4206854-200								CLAMP ASSY, Heat and vent	1	A
-39	AN530-8R8								SCREW	1	A
-40	AN735-36								CLAMP	1	A
-41	AN530-10R10								SCREW	1	A
-42	3207198								EXHAUST ASSY, Forward heater	1	A
-43	2176646								COLLAR, Beaded exhaust manifold wide	1	A
-44	1174586-4								BOLT, Exhaust joint collar attaching	2	A
	1174587								NUT, Exhaust joint collar attaching	2	A
-45	1230135								GASKET, Flight compartment heater exhaust	1	A
-46	57A57								CONNECTOR (SUC)	1	A
-47	58A77								VALVE, Heater combustion air relief (see T.O. 15H1-214-1) (parts to be in accordance with Douglas Spec drawing number 4277620)	2	A
-48	4275839								HOSE ASSY, Overboard combination air flexible forward	1	A
-49	MA3-1/2								CLAMP (ACT)	1	A
-50	2206678-500								LINE ASSY, Drain forward heater to overboard exhaust	1	A
-51	AN822-6D								ELBOW	2	A
-52	2206678-502								LINE ASSY, Drain forward heater to overboard exhaust	1	A
-53	AN823-6D								ELBOW	1	A
-54	AN825-6D								TEE	1	A
-55	1193390								HOSE ASSY, Flexible defrosting (see figure 108)	2	A
-56	NA543DD3-16								SPACER (formerly 117425-3D008)	1	A
-57	AN520-10R12								SCREW	1	A
-58	2206528								SUPPORT, Upper turret heating duct	1	A
-59	1206512								SCREEN, Upper turret heating duct	1	A
									(ATTACHING PARTS)		
-60	AN530-8R6								SCREW	3	A
	A1778-8Z1								NUT (TIN)	3	A
-61	4276144								DUCT ASSY, Upper turret outlet	1	A
-62	2276117								DUCT ASSY, Sta 209 to 230	1	A
-63	4206854-200								CLAMP ASSY, Heat and vent	1	A
-64	AN530-8R8								SCREW	1	A
-65	4276089								DUCT ASSY	1	A
-66	4276543								DUCT ASSY	1	A
-67	4206854-200								CLAMP ASSY, Heat and vent	1	A
-68	AN530-8R8								SCREW	1	A
-69	2207148								HOSE, Aft manifold flexible	1	A
-70	MA3-1/2								CLAMP (ACT)	1	A
-71	3206943								DUCT ASSY, Gunner defroster diverger	1	A
-72	K7139-8-0316								HOSE	1	A
-73	MA3-1/2								CLAMP	2	A
-74	5192540								DEFROSTER ASSY, Gunner compartment enclosure LH	1	A
	5192540-1								DEFROSTER ASSY, Gunner compartment enclosure RH	1	A
-75	2206751-2								DUCT ASSY	1	A
-76	MA3-1/2								CLAMP (ACT)	1	A
-77	4207618								DUCT ASSY, Combustion air aft	1	A
-78	4206854-200								CLAMP ASSY, Heat and vent	1	A
-79	AN530-8R8								SCREW	1	A
-80	2275820								HOSE ASSY, Overboard combination air flexible aft	1	A
-81	MA3-1/2								CLAMP (ACT)	1	A
-82	3205904								EXHAUST ASSY, Heater aft	1	A
-83	1230135								GASKET, Heater exhaust aft	1	A
-84	2206678-504								LINE ASSY, Drain aft heater to overboard exhaust	1	A
-85	2206678-506								LINE ASSY, Drain aft heater to overboard exhaust	1	A
-86	AN816-6D								NIPPLE	1	A
-87	AN825-6D								TEE	1	A
-88	2176646								COLLAR, Beaded exhaust manifold wide	2	A
-89	1174586-4								BOLT, Exhaust joint collar attaching	2	A
	1174587								NUT, Exhaust joint collar attaching	2	A
-90	4207665								BRACKET	1	A
									(ATTACHING PARTS)		
-91	AN520-10-7								SCREW	4	A
	AN960D10								WASHER	4	A
	AN365-1032								NUT	4	A
-92	5207752-500								LINE ASSY, Fuel pressure regulator	1	A
-93	AN816-4D								NIPPLE	1	A
-94	54A04								REGULATOR (SUC) (parts to be in accordance with Douglas Spec drawing number 4207883)	1	A
									(ATTACHING PARTS)		
-95	AN520-10-6								SCREW	4	A
	AN960D10								WASHER	4	A
	AN365-1032								NUT	4	A

FIGURE & INDEX NO.	PART NO.	DESCRIPTION							UNITS PER ASSY	USABLE ON CODE
		1	2	3	4	5	6	7		
107-96	AN825-4D	TEE		*					1	A
-97	5207752-502	LINE ASSY, Fuel pressure regulator							1	A
-98	AN822-4D	ELBOW							1	A
-99	AN816-4D	NIPPLE							1	A
-100	5207752-504	LINE ASSY, Fuel pressure regulator outlet to filter							1	A
-101	5276714	JUNCTION BOX ASSY, Pilot's heater relay (see figure 108)							1	A
-102	2207891	BRACKET ASSY (ATTACHING PARTS)							1	A
-103	AN520-10-8 AN960D10L	SCREW WASHER							2 2	A A
-104	2207913	BRACKET ASSY (ATTACHING PARTS)							1	A
-105	AN520-10-8 AN960D10L	SCREW WASHER							2 2	A A
-106	4277120	BRACKET ASSY, Pilot's heater control (ATTACHING PARTS)							1	A
-107	AN520-10-10 AN960-10 AN365-1032	SCREW WASHER NUT							AR AR AR	A A A
-108	2277121	STIFFENER ASSY, Pilot's heater control (ATTACHING PARTS)							1	A
-109	AN520-10-10 AN960-10	SCREW WASHER							AR AR	A A
-110	4277122	PANEL ASSY, Pilot's heater control (see figure 108) (ATTACHING PARTS)							1	A
-111	AN520-10-10 AN960-10	SCREW WASHER							AR AR	A A
-112	4206599	PANEL ASSY, Gunner compartment heater control (see figure 108)							1	A
-113	3276732	JUNCTION BOX ASSY, Heater relay aft (see figure 108)							1	A
-114	AN520-10-7 AN960-10	SCREW WASHER							AR AR	A A
-115	3276862	BRACKET ASSY, Aft heater relay junction box (ATTACHING PARTS)							1	A
-116	AN520-10-7 AN960-10 AN365-1032	SCREW WASHER NUT							AR AR AR	A A A
-117	2276761	BRACKET ASSY, Pilot's heater relay junction box (ATTACHING PARTS)							1	A
-118	AN520-10-7 AN365-1032	SCREW NUT							AR AR	A A
-119	4195292	BRACKET							1	A
-120	1194938	SHIELD (ATTACHING PARTS)							1	A
-121	AN530-6-6 AN960D616 A1784-621	SCREW WASHER NUT (TIN)							2 2 2	A A A
-122	AN515-6-20 AN365-632	SCREW NUT							2 2	A A
-123	YZR31A38	ACTUATOR, Type M2 (PHC)							1	A
-124	AN3210-1	SWITCH							1	A
-125	A6436-10Z3	ANGLE (TIN) (ATTACHING PARTS)							2	A
-126	AN530-10R6	SCREW (Formerly 1114190Z10-6)							2	A
-127	2207282	SEAL ASSY (ATTACHING PARTS)							1	A
-128	AN530-8R10 A1778-821	SCREW NUT (TIN)							5 5	A A
-129	2207701	BRACKET							1	A
-130	MA3-1/2	CLAMP (ACT)							1	A
-131	2205284	BRACKET ASSY (ATTACHING PARTS)							1	A
-132	AN3-5A AN970-3 AN365-1032	BOLT WASHER NUT							2 2 2	A A A
-133	4205052	HOSE ASSY, Nose section flexible defroster (see figure 108)							1	A,B
-134	4205818	DUCT							1	A
-135	K7139-5-0216	TUBE							1	A
-136	1204870-4	DUCT, Flexible air							1	A,B
-137	MA3-1/2	CLAMP (ACT)							3	A,B
-138	4204744	DIFFUSER ASSY, Bombardier nose (ATTACHING PARTS)							1	A,B

Section II
Group Assembly Parts List

T.O. 1B-26B-4

FIGURE & INDEX NO.	PART NO.	1	2	3	4	5	6	7	DESCRIPTION	UNITS PER ASSY	USABLE ON CODE
107-139	AN3-20								BOLT	2	A,B
	AN365-1032								NUT	2	A,B
-140	3277228								SCOOP INSTL. Aff cold air	1	A
	3276498								SCOOP ASSY	1	A
-141	AN507-832R10								(ATTACHING PARTS)		
	AN960D8								SCREW (Formerly 1087510-8-10)	13	A
	AN365-832								WASHER	13	A
-142	AN507-832R8								NUT	13	A
	AN365-832								SCREW (Formerly 1087510-8-8)	4	A
-143	AN507-832R10								NUT	4	A
	AN365-832								SCREW (Formerly 1087510-8-10)	31	A
-144	AN507-832R12								NUT	31	A
	AN365-832								SCREW (Formerly 1087510-8-12)	4	A
									NUT	4	A
A USAF 44-34098 thru 44-35996 B USE WITH BOMBARDIER NOSE VERSION ONLY											

FUSELAGE

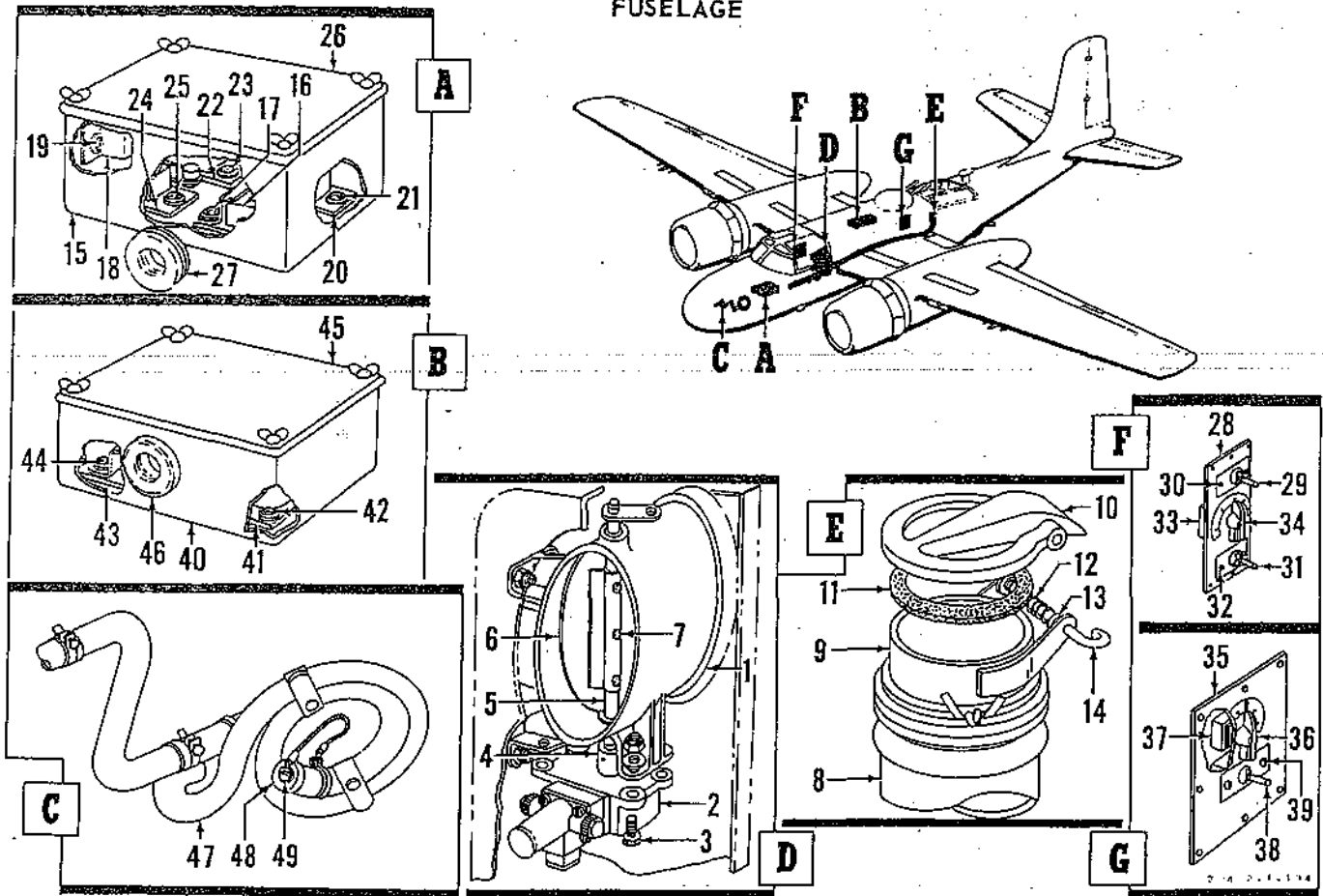


Figure 108. Heat and Vent System Kit Assembly Details

FIGURE & INDEX NO.	PART NO.	1 2 3 4 5 6 7	DESCRIPTION	UNITS PER ASSY	USABLE ON CODE
108-			HEAT AND VENT SYSTEM KIT ASSEMBLY DETAILS		
-1	3207744 3207684 SF400-4 22D10-82 451930		VALVE ASSY, Ground defrosting deflector (see figure 107)..... CASE ASSY, Ground defrosting deflector BUSHING, Cellite (AXD) (press to fit) NUT, Splined (EN) DRIVE ASSY, Ground diverter (PDI) (part to be in accordance with Douglas Spec drawing number 4207645) (ATTACHING PARTS)	Ref 1 2 4 1	A A A A
-2			BOLT	4	A
-3	AN3-7 AN960D10L AN364-1032		WASHER	8	A
			NUT	4	A
-4	2207730		COUPLING, Ground diverter air valve	1	A
-5	2209707		SHAFT, Ground diverter air valve	1	A
-6	2207670		BLADE ASSY, Ground diverter air valve	1	A
-7	AN507-632R10 AN365-632		SCREW (Formerly 1087510-6-10)..... NUT	3 3	A A
-8	1193390 1193388 4193402		HOSE ASSY, Flexible defrosting (see figures 104, 106, and 107)..... HOSE ASSY, Flexible defrosting	Ref 1	A A
-9	1193375		CLOSURE ASSY, Flexible defrosting hose	1	A
-10	2192789		OUTLET ASSY, Flexible defrosting hose	1	A
-11	2110163A112-204- 002		COVER, Flexible defrosting hose	1	A
-12	1193347		WASHER	1	A
-13	AN960D3		SPRING, Flexible defrosting hose cover	1	A
-14	1193345 5276714		WASHER	2	A
			PIN, Flexible defrosting hose cover retainer	1	A
-15	5276714-2		JUNCTION BOX ASSY, Pilot's heater relay (see figure 107)	Ref	A
-16	1253DEW		BOX ASSY (POW)	1	A
			RELAY (LR)	1	A
-17	AN530-6R10 AN960-6		(ATTACHING PARTS)		
			SCREW	4	A
			WASHER	4	A
-18	1222DED		RELAY (LR)	3	A
			(ATTACHING PARTS)		
-19	AN530-6R10 AN960-6		SCREW	6	A
			WASHER	6	A
-20	1220DECW		RELAY (LR)	1	A
			(ATTACHING PARTS)		
-21	AN530-6R10 AN960-6		SCREW	3	A
			WASHER	3	A
-22	2404-325		RELAY (LR)	1	A
			(ATTACHING PARTS)		
-23	AN530-6R10 AN960-6		SCREW	2	A
			WASHER	2	A
-24	1257DEWD		RELAY (LR)	1	A
			(ATTACHING PARTS)		
-25	AN530-6R10 AN960-6		SCREW	3	A
			WASHER	3	A
-26	5276714-4		COVER (POW)	1	A
-27	AN931-14-20 4277122		GROMMET	1	A
-28	4277119		PANEL ASSY, Pilot's heater control (see figure 107).....	Ref	A
-29	AN3022-2		PANEL	1	A
			SWITCH	1	A
			(ATTACHING PARTS)		
-30	AN515-6-7 AN960-6		SCREW	2	A
			WASHER	2	A
-31	AN3023-8		SWITCH	1	A
			(ATTACHING PARTS)		
-32	AN515-6-7 AN960-6		SCREW	2	A
			WASHER	2	A
-33	7261K9		SWITCH, Rotary type 1 (CUT).....	1	A
-34	AN3220-1 4206599		KNOB	1	A
-35	4206616		PANEL ASSY, Gunner compartment heater control (see figure 107)	Ref	A
-36	AN3220-1		PANEL	1	A
-37	7261K9		KNOB	1	A
-38	AN3023-8		SWITCH, Rotary type 1 (CUT).....	1	A
			SWITCH	1	A
			(ATTACHING PARTS)		
-39	AN515-6-7 AN960-6		SCREW	2	A
			WASHER	2	A
-40	3276732 3276732-2		JUNCTION BOX ASSY, Heater relay aft (see figure 107)	Ref	A
-41	1222DED		BOX ASSY (POW)	1	A
			RELAY (LR)	3	A
			(ATTACHING PARTS)		

Section II
Group Assembly Parts List

T.O. 1B-26B-4

FIGURE & INDEX NO.	PART NO.								DESCRIPTION	UNITS PER ASSY	USABLE ON CODE
		1	2	3	4	5	6	7			
108-42	AN530-6R10 AN960-6								SCREW	6	A
									WASHER	6	A
-43	2404-325								RELAY (LR) (ATTACHING PARTS)	1	A
-44	AN530-6R10 AN960-6								SCREW	2	A
									WASHER	2	A
-45	3276732-4								COVER ASSY (POW)	1	A
-46	AN931-12-20 4205052								GROMMET	1	A
-47	1204870-2								HOSE ASSY; Nose section flexible defroster (see figure 107)	Ref	A,B
-48	2205072								HOSE, Flexible	1	A,B
-48	AN515-8-14								STOPPER	1	A,B
-49	AN365-832								SCREW	1	A,B
									NUT	1	A,B

A USAF 44-34098 thru 44-35996
B USED WITH BOMBARDIER NOSE VERSION ONLY

FUSELAGE

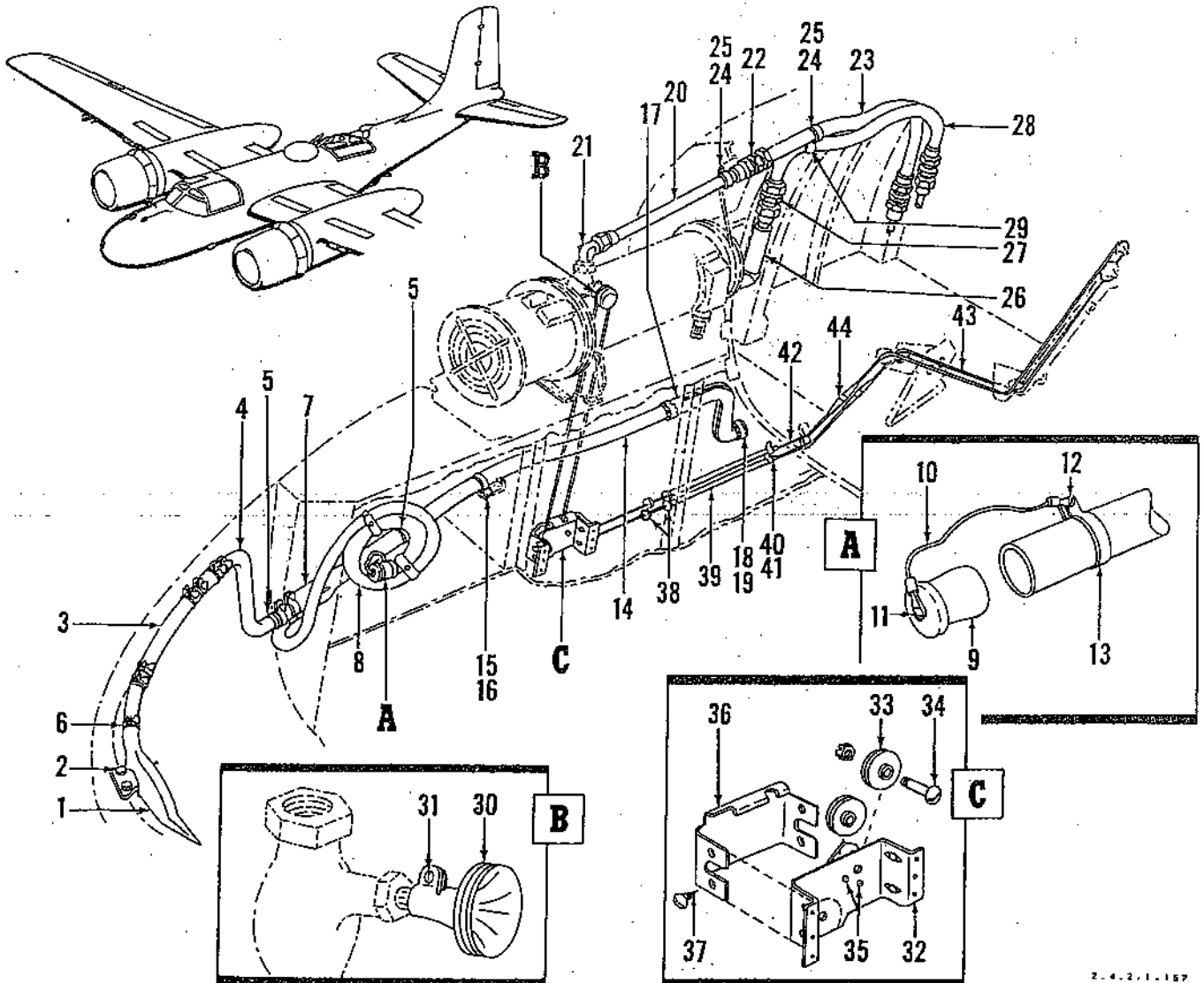


Figure 109. Bombardier Nose Heat and Vent System

FIGURE & INDEX NO.	PART NO.	1	2	3	4	5	6	7	DESCRIPTION	UNITS PER ASSY	USABLE ON CODE
109-	5202406	HEAT AND VENT SYSTEM, Bombardier nose							Ref	A	
	5208044	HEAT AND VENT INSTL, Bombardier nose (see figure 49)							Ref	B	
		HEATER PROVISION INSTL, Bombardier nose 100,000									
		BTU tam operated (see figure 49)									
-1	4204744	DIFFUSER ASSY, Bombardier nose							1	A	
		(ATTACHING PARTS)									
-2	AN3-20	BOLT							2	A	
	AN365-1032	NUT							2	A	
-3	1204870-4	DUCT, Flexible air							1	A	
-4	4205818	DUCT, Bombardier nose hot air							1	A	
-5	K7139-5-0216	TUBE							2	A	
-6	MA3-1/2	CLAMP (Three required on 5208044) (ACT)							11	A	
-7	4204853	WYE ASSY, Bombardier nose							1	A	
	4205052	HOSE ASSY, Nose section flexible defroster							1	A	
-8	1204870-2	HOSE, Flexible							1	A	
-9	2205072	STOPPER							1	A	
-10	1206505	CORD ASSY, Safety							1	A	
		(ATTACHING PARTS)									
-11	AN515-8-14	SCREW							1	A	
	AN365-832	NUT							1	A	
-12	AN530-8-6	SCREW							1	A	
-13	A3053-18	CLAMP (TIN)							1	A	
-14	4204696	DUCT ASSY, Bombardier nose hot air							1	A	
-15	A2980A-36	CLAMP (TIN)							1	A	
		(ATTACHING PARTS)									
-16	AN530-10-8	SCREW							1	A	
-17	4206862	DUCT ASSY, Bombardier nose hot air							1	A	
-18	4206854-200	CLAMP ASSY							2	A	
-19	AN530-10-20	SCREW							2	A	
-20	4204782-8	LINE ASSY, Heater inlet fuel pressure							1	A	
-21	AN822-12D	ELBOW							1	A	
-22	AN815-12D	UNION							1	A	
-23	4204782-2	LINE ASSY, Fuel pressure							1	A	
-24	755-12-2-8	CLIP (AP)							2	A	
		(ATTACHING PARTS)									
-25	AN530-10-8	SCREW							1	A	
	A1779-1021	NUT (TIN)							1	A	
-26	2208607	EXHAUST ASSY, Bombardier nose heat							1	A	
-27	2205536	UNION, Heat and vent exhaust 3/4-in.							1	A	
-28	4204782-4	LINE ASSY, Heater outlet exhaust							1	A	
-29	AN742-14	CLAMP							1	A	
-30	2204741	PULLEY, Bombardier nose heater control							1	A	
-31	AN515-8-8	SCREW							1	A	
	AN365-832	NUT							1	A	
-32	4204768	BRACKET ASSY, Bombardier nose forward heater control							1	A	
-33	AN210-1A	PULLEY							2	A	
		(ATTACHING PARTS)									
-34	AN23-11	BOLT							1	A	
	AN320-1032	NUT							1	A	
-35	AN392-15	PIN							3	A	
-36	4206191	GUARD, Heater pulley bracket							1	A	
		(ATTACHING PARTS)									
-37	AN530-8-6	SCREW							4	A	
-38	AN931-5-9	GROMMET							4	A	
-39	4204782-6	TUBE							2	A	
-40	A2980A5	CLAMP (TIN)							2	A	
		(ATTACHING PARTS)									
-41	AN530-8R6	SCREW							1	A	
-42	2205066-2	CABLE ASSY, Forward recirculating heater throttle control							1	A	
-43	2205066-4	CABLE ASSY, Forward recirculating heater throttle control							1	A	
-44	AN155-8S	BARREL							2	A	

A USAF 43-22467 to 43-22751
B USAF 44-35198 to 44-36797

Section II
Group Assembly Parts List

T.O. 1B-26B-4
FUSELAGE

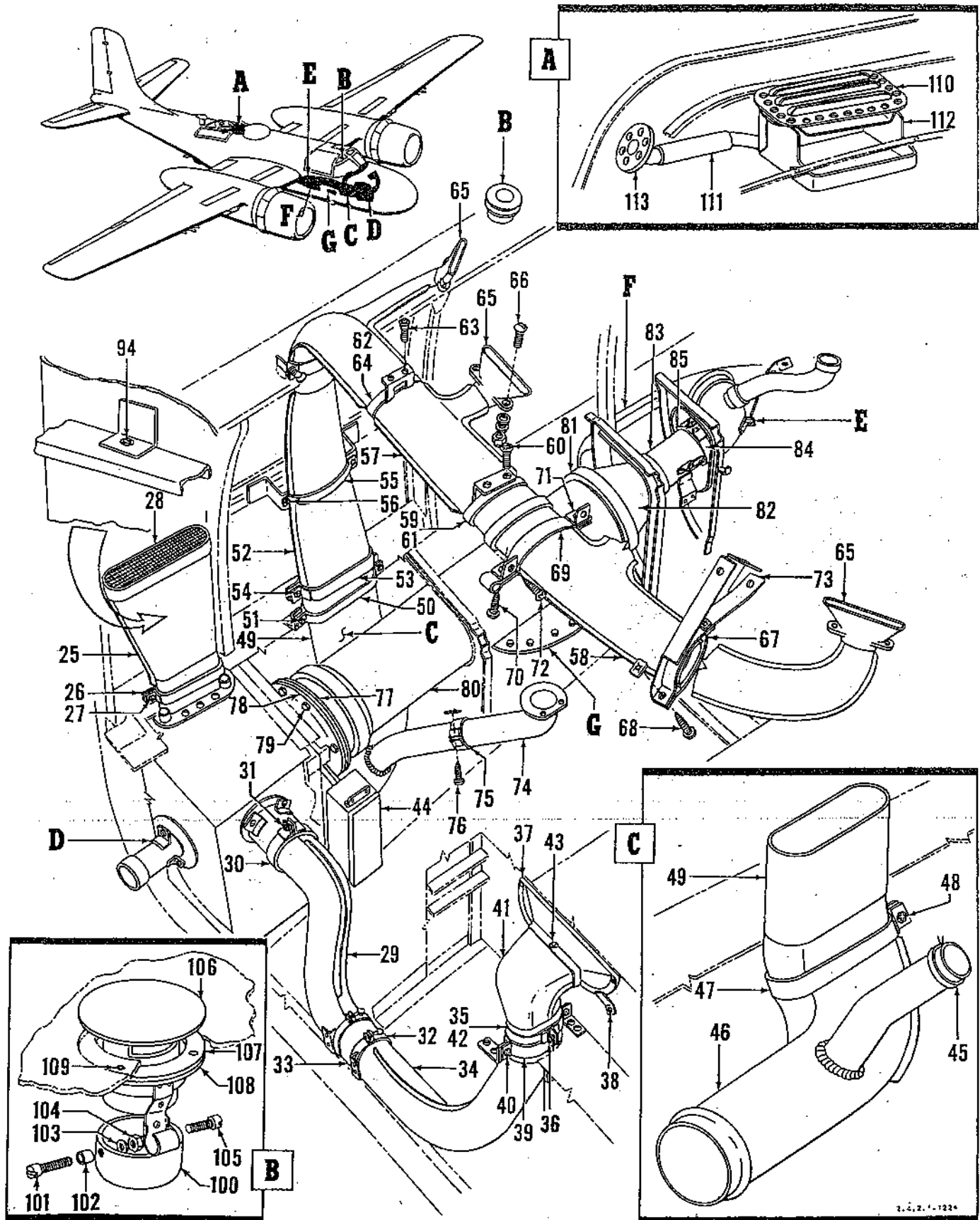


Figure 110. Forward Section Heat and Vent System Provisions (Sheet 1 of 2)

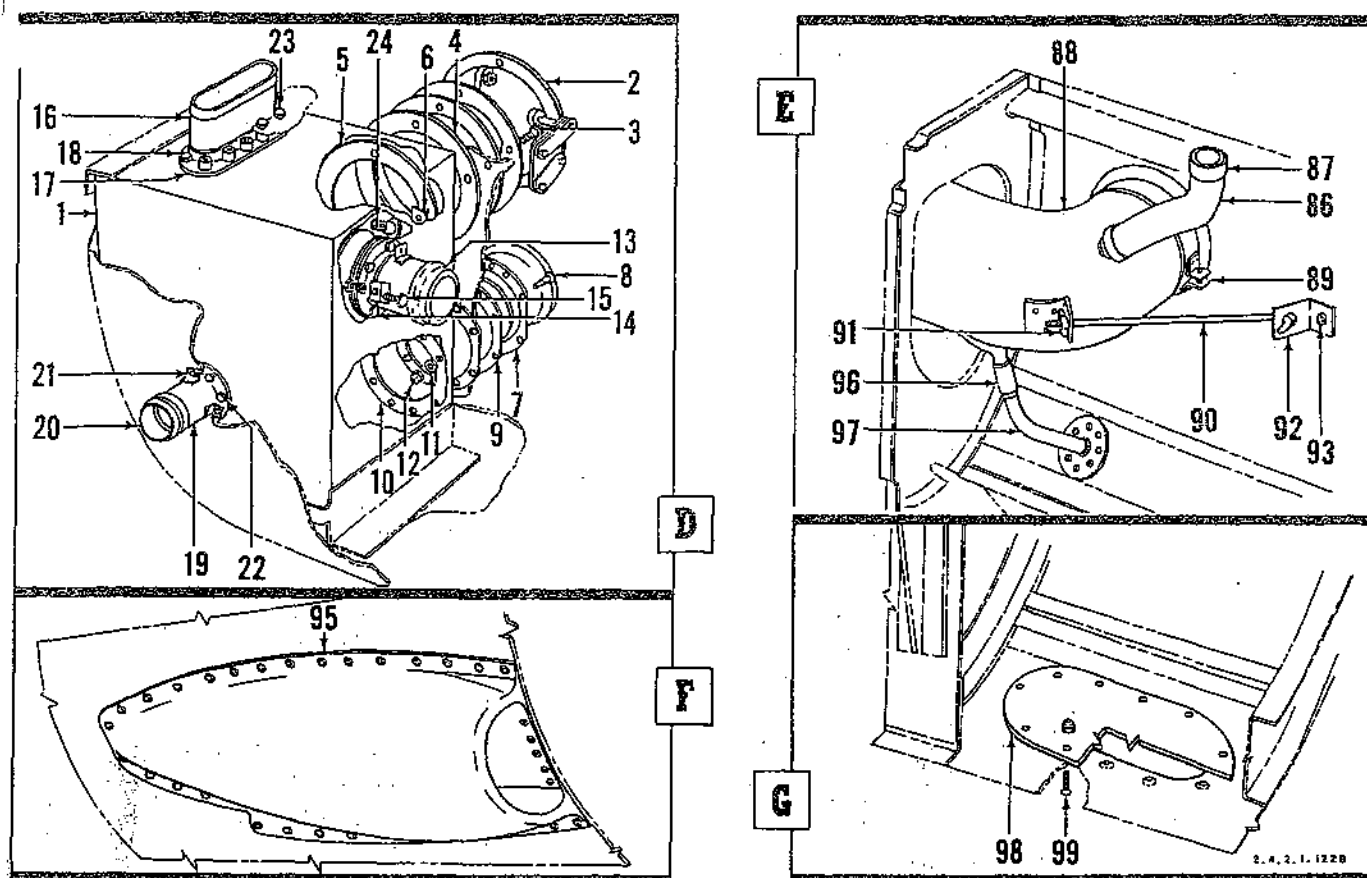


Figure 110. Forward Section Heat and Vent System Provisions (Sheet 2 of 2)

FIGURE & INDEX NO.	PART NO.	1	2	3	4	5	6	7	DESCRIPTION	UNITS PER ASSY	USABLE ON CODE
110-	5207584	HEAT AND VENT SYSTEM PROVISIONS, Forward section							Ref		A
		(see figure 40)									
	5206740	PROVISIONS, Aft section heat and vent system (see figure 111)							1		A
	5205764	PROVISIONS, Heat and vent system forward							1		A
	5205373	DISTRIBUTION PLENUM INSTL, Forward							1		A
-1	5205195	PLENUM ASSY, Distribution forward							1		A
-2	3205439	VALVE ASSY, Air damper (see figure 112)							1		A
-3	AN520-10-16	SCREW							6		A
-4	4205341	GASKET, Plenum chamber sta 10 upper							2		A
-5	4205346	RING, Plenum chamber retainer sta 10 upper							1		A
-6	A1779-10Z1	NUT, Speed (TIN)							6		A
-7	4205838	OUTLET ASSY, Plenum chamber sta 10							1		A
-8	AN3-4A	BOLT							11		A
-9	2205335	GASKET, Plenum chamber sta 10 lower							2		A
-10	2205344	RING, Plenum chamber retainer sta 10 lower							1		A
-11	AN960-10L	WASHER							11		A
-12	AN365-1032	NUT							11		A
-13	4206132	OUTLET ASSY, Plenum chamber to tunnel wall							1		A
-14	AN3-4A	BOLT							8		A
	AN960-10L	WASHER							8		A
	AN365-1032	NUT							8		A
-15	AN3-4A	BOLT							3		A
	AN960-10L	WASHER							3		A
-16	4205350	OUTLET ASSY, Plenum chamber pilot floor							1		A
-17	2205340	RING, Plenum chamber pilot floor retainer							1		A
-18	AN3-4A	BOLT							5		A
	AN960-10L	WASHER							5		A
	AN365-1032	NUT							5		A
-19	4143959	OUTLET ASSY, Plenum chamber sta 0							1		A
-20	2205617	SEAL ASSY							1		A
-21	AN3-5A	BOLT							3		A
	AN960-10L	WASHER							3		A
-22	AN3-4A	BOLT							3		A
	AN960-10L	WASHER							3		A
	AN365-1032	NUT							3		A

Section II

T.O. 1B-26B-4

Group Assembly Parts List

FIGURE & INDEX NO.	PART NO.	DESCRIPTION							UNITS PER ASSY	USABLE ON CODE
		1	2	3	4	5	6	7		
110-23	AN3-12A								5	A
	2033901-8F203-016								5	A
	AN960-10L								5	A
	AN365-1032								5	A
-24	2227								1	A
-25	3205515								1	A
									1	A
-26	4206854-328								1	A
-27	AN530-10R10								1	A
									1	A
-28	4205709								1	A
-29	5205679								1	A
									1	A
-30	4206854-308								1	A
-31	AN530-10R10								1	A
									1	A
-32	MA5								2	A
-33	K7139-14-0300								1	A
-34	5205655								1	A
-35	4206854-312								1	A
-36	AN530-10R10								1	A
-37	4206213								1	A
									1	A
-38	AN530-10R6								5	A
	A6191-1023								5	A
									5	A
-39	2205969								2	A
-40	AN520-10R8								4	A
	AN365-1032								4	A
	3205571								1	A
-41	3205571								1	A
-42	4206854-308								1	A
-43	1114190A8R6								2	A
-44	5205603								1	A
-45	2205617								1	A
-46	5205716								1	A
									1	A
-47	4205841								1	A
-48	AN530-10R10								1	A
									1	A
-49	3205565								1	A
									1	A
-50	2205844								2	A
-51	AN520-10R8								2	A
	AN365-1032								2	A
									2	A
-52	5205790								1	A
									1	A
-53	4206854-416								1	A
-54	AN530-10R10								1	A
									1	A
-55	2205923								1	A
-56	AN520-10R8								2	A
	AN365-1032								2	A
	5190587								1	A
-57	5191221								2	A
-58	5190592								1	A
-59	2195047								1	A
									1	A
-60	1114189Z8-12								2	A
									2	A
-61	AN530-8R12								2	A
	A1178-8Z1								2	A
-62	2195048								1	A
									1	A
-63	1114189Z8-12								2	A
									2	A
-64	AN530-8R12								2	A
	A1778-8Z1								2	A
-65	4190369								4	A
									4	A
-66	AN520-10-10								8	A
	124682-3F7-062								8	A
	AN960D10								8	A
	AN365-1032								8	A
									8	A
-67	1204947								1	A
									1	A
-68	AN530-8R8								4	A
	A1778-8Z1								4	A
									4	A
-69	2192632								1	A
									1	A
-70	AN530-8R8								2	A
-71	A6083-8Z3								2	A
-72	AN530-8R6								2	A

FIGURE & INDEX NO.	PART NO.	1	2	3	4	5	6	7	DESCRIPTION	UNITS PER ASSY	USABLE ON CODE
110-73	2204946								HANGER ASSY	1	A
-74	4206236								DUCT ASSY, Flexible defroster hose forward	1	A
-75	4206854-200								CLAMP ASSY, Heat and vent	1	A
-76	AN530-10R10								SCREW	1	A
-77	4205473								CONNECTION ASSY, Valve to forward heater	1	A
-78	4205341								GASKET, Plenum chamber sta 10 upper	1	A
-79	AN3-5A								BOLT	6	A
	AN960D10								WASHER	6	A
	AN365-1032								NUT	6	A
-80	4275799								DUCT ASSY, Heater replacement	1	A
-81	58A76								CLAMP BANDS	2	A
-82	4207149								DUCT TRANSITION, Heater replacement to sta 49	1	A
-83	4276225								DUCT ASSY, Sta 49 to 57	1	A
-84	4206854-520								CLAMP	1	A
-85	AN530-10R10								SCREW	1	A
-86	2277592								DUCT, Voltage regulator cold air intake	1	A
-87	A3122-16-59								CLAMP (TIN)	2	A
-88	3207332								DUCT, Sta 57 to forward scoop	1	A
-89	4206854-516								CLAMP	1	A
-90	2278722								HOOK	1	A
-91	AN530-8-32								SCREW	1	A
-92	2278721								SUPPORT	1	A
-93	AN520-10R8								SCREW	2	A
-94	AN530-10R10								SCREW	1	A
	3206370								COLD AIR SCOOP INSTL, Forward	1	A
-95	3206506								SCOOP ASSY, Forward cold air intake	1	A
									(ATTACHING PARTS)		
	AN507-832R8								SCREW (formerly 1087510-8-8)	17	A
	AN365-832								NUT	17	A
	AN507-832R10								SCREW (formerly 1087510-8-10)	16	A
	AN365-832								NUT	16	A
	AN507-832R12								SCREW (formerly 1087510-8-12)	2	A
	AN365-832								NUT	2	A
									-----*		
-96	No Number								HOSE, 1/2 ID by 2-in. long (make from hose Spec MIL-H-6000)	1	A
-97	4206717								DRAIN ASSY, Duct to elbow	1	A
-98	2276222								PLATE ASSY	1	A
									(ATTACHING PARTS)		
-99	AN507C832R8								SCREW (formerly 1087510SS8-8)	11	A
	AN365-832								NUT	11	
									-----*		
-100	3209439								AUXILIARY VENTILATOR INSTL	1	A
	2209342								NOZZLE, Auxiliary ventilator	1	A
									(ATTACHING PARTS)		
-101	AN500-6-6								SCREW	2	A
-102	NAS43DD2-08								SPACER (formerly 117425-2S004)	1	A
-103	AN960D6								WASHER	1	A
-104	AN365-632								NUT	2	A
-105	AN500-6-8								SCREW	1	A
	AN365-632								NUT	1	A
									-----*		
-106	2209339								TUBE ASSY, Auxiliary ventilator	1	A
-107	2110163A201								WASHER, Felt	1	A
	305-004										
-108	2209341								RETAINER ASSY, Auxiliary ventilator	1	A
									(ATTACHING PARTS)		
-109	1029421-6-10								SCREW, Flathead 100° recessed	3	A
	AN960D6								WASHER	3	A
	AN365-632								NUT	3	A
									-----*		
-110	5203997								BOMB BAY EXHAUST INSTL	1	A
	4203980								OUTLET, Bomb bay exhaust	1	A
-111	1080930-12D								TUBE, Synthetic rubber 40-50 shore hardness	1	A
	125-816										
-112	5203987								EXHAUST ASSY, Bomb bay vent	1	A
-113	1206288								OUTLET ASSY	1	A
									A USAF 44-34098 thru 44-35996		

Section II
Group Assembly Parts List

T.O. 1B-26B-4
FUSELAGE

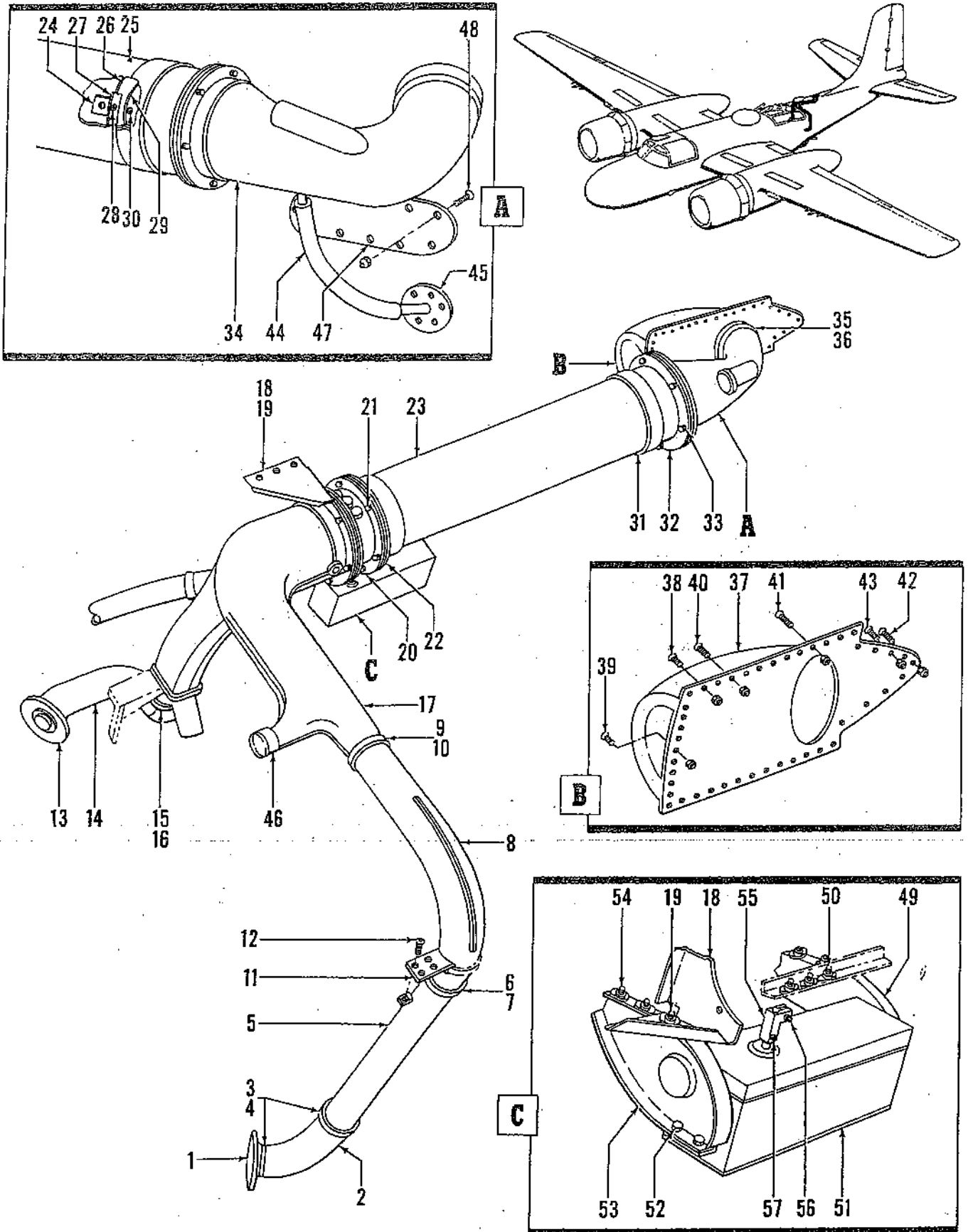


Figure 111. Aft Section Heat and Vent System Provisions

FIGURE & INDEX NO.	PART NO.	DESCRIPTION							UNITS PER ASSY	USABLE ON CODE
		1	2	3	4	5	6	7		
111-	5206740	PROVISIONS; Aft section heat and vent system (see figure 110).....							Ref	A
-1	3690	DIFFUSER ASSY, Size 6 type CPS (ANE).....							1	A
-2	4206845	DUCT ASSY, Gunner compartment outlet LH.....							1	A
-3	4206854-300	CLAMP, Heat and vent connection.....							2	A
-4	AN530-10R10	SCREW.....							2	A
-5	2206751-4	DUCT ASSY.....							1	A
-6	4206854-300	CLAMP, Heat and vent connection.....							1	A
-7	AN530-10R10	SCREW.....							1	A
-8	4206752	DUCT ASSY, Aluminum alloy upper elbow LH.....							1	A
-9	4206854-300	CLAMP, Heat and vent connection.....							1	A
-10	AN530-10R10	SCREW.....							1	A
-11	2207036	SUPPORT.....							1	A
		(ATTACHING PARTS)								
-12	AN530-8R8	SCREW.....							4	A
	A1778-8Z1	NUT (TIN).....							4	A
		- - - * - - -								
-13	3690	DIFFUSER ASSY, Size 6 type CPS (ANE).....							1	A
-14	4206878	DUCT ASSY, Gunner compartment RH.....							1	A
-15	4206854-216	CLAMP.....							1	A
-16	AN530-10R10	SCREW.....							1	A
-17	3206787	MANIFOLD ASSY, Heater aft.....							1	A
	4205341	GASKET, Sta 10 plenum chamber hydraulic upper.....							1	A
	2226	DETECTOR, Fire (FEN).....							1	A
-18	3206890	SUPPORT, Sta 315 heater.....							1	A
-19	AN3-5A	BOLT.....							1	A
-20	3205439	VALVE ASSY, Air damper (see figure 112).....							Ref	A
	4205341	GASKET, Sta 10 plenum chamber hydraulic upper.....							2	A
-21	AN3-6A	BOLT.....							12	A
	AN365-1032	NUT.....							12	A
-22	4206148	DUCT ASSY, Sta 317 heat and vent connection.....							1	A
	4275799	DUCT ASSY, Heater replacement.....							1	A
-23	4275799-2	DUCT.....							1	A
-24	A6083-10Z3	ANGLE (TIN).....							4	A
		(ATTACHING PARTS)								
-25	1114190Z10R5	SCREW.....							4	A
		- - - * - - -								
	2276290	ORIFICE ASSY, Ventilating air.....							1	A
-26	2276290-2	ORIFICE.....							1	A
-27	2276290-4	SEAL, 1/8-in. wool felt (Spec AN-F-14) type 13.....							1	A
		(ATTACHING PARTS)								
-28	1114190Z10R5	SCREW.....							4	A
		- - - * - - -								
-29	2277079	COVER.....							1	A
		(ATTACHING PARTS)								
-30	AN530-10R10	SCREW.....							4	A
	A1779-10Z1	NUT (TIN).....							4	A
		- - - * - - -								
-31	58A76	CLAMP BANDS, Or equiv (parts to be in accordance with..... Douglas Sped drawing number 4277556)							2	A
-32	3206120	DUCT ASSY.....							1	A
-33	AN3-6A	BOLT.....							6	A
	AN365-1032	NUT.....							6	A
-34	5205984	ELBOW ASSY, Aft heater and vent.....							1	A
	4205341	GASKET, Sta 10 plenum chamber hydraulic upper.....							1	A
-35	4206854-516	CLAMP.....							1	A
-36	AN530-10R10	SCREW.....							1	A
	3205268	COLD AIR SCOOP INSTL, Aft.....							1	A
-37	3206829	SCOOP ASSY.....							1	A
		(ATTACHING PARTS)								
-38	1087510-8-11	SCREW, Steel 100° recessed flathead.....							4	A
	AN365-832	NUT.....							4	A
-39	AN507-832R10	SCREW (formerly 1087510-8-10).....							9	A
	AN365-832	NUT.....							9	A
-40	AN507-832R10	SCREW (formerly 1087510-8-10).....							6	A
	AN365-832	NUT.....							6	A
-41	1087510-8-9	SCREW, Steel 100° recessed flathead.....							16	A
	AN365-832	NUT.....							16	A
-42	1087510-8-9	SCREW, Steel 100° recessed flathead.....							1	A
	AN365-832	NUT.....							1	A
-43	AN507-832R8	SCREW (formerly 1087510-8-8).....							8	A
	NAS143-4C	WASHER.....							8	A
	AN365-832	NUT.....							8	A
		- - - * - - -								
-44	1080930-08D	TUBE.....							1	A
	125-1516									
-45	1193851	OUTLET ASSY, Water drain.....							1	A
-46	2205617	SEAL ASSY.....							1	A
-47	2276222	PLATE ASSY.....							1	A
		(ATTACHING PARTS)								
-48	1087510SS8-8	SCREW, 100° recessed flathead.....							11	A
	AN365-832	NUT.....							11	A
		- - - * - - -								
-49	5207200	ELECTRIC DRIVE INSTL, Aft.....							1	A
	4206022	SUPPORT ASSY.....							1	A
		(ATTACHING PARTS)								

Section II

Group Assembly Parts List

T.O. 1B-26B-4

FIGURE & INDEX NO.	PART NO.	1	2	3	4	5	6	7	DESCRIPTION	UNITS PER ASSY	USABLE ON CODE
111-50	AN3-5A AN960D10								BOLT	5	A
									WASHER	5	A
-51	6203-19								CONTROL ASSY, (WR) (parts to be in accordance with Douglas Spec drawing number 4208181) (ATTACHING PARTS)	1	A
-52	AN3-3A AN960D10 AN365-1032								BOLT	4	A
									WASHER	4	A
									NUT	4	A
-53	4205971								SUPPORT (ATTACHING PARTS)	1	A
-54	AN3-5A AN960D10								BOLT	2	A
									WASHER	2	A
-55	2205433								COUPLING ASSY, Aft air damper valve	1	A
-56	2205435-2 AN503-6-8 AN365-832								COUPLING SCREW	1 1	A A
-57	AN503-6-4								NUT SCREW	1 1	A A

A USAF 44-34098 thru 44-36797

FUSELAGE

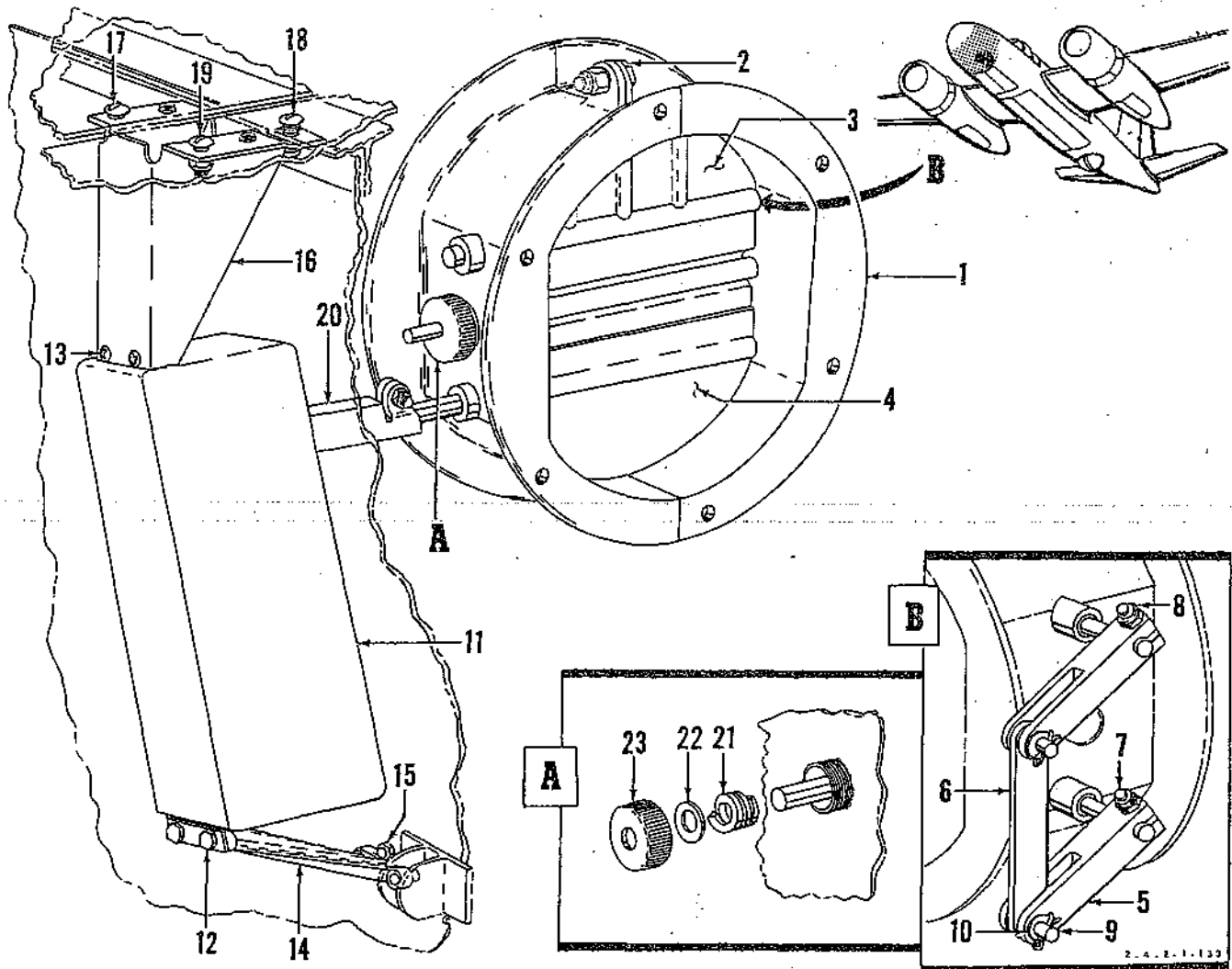


Figure 112. Heat and Vent System Provisions Details

FIGURE & INDEX NO.	PART NO.	1	2	3	4	5	6	7	DESCRIPTION	UNITS PER ASSY	USABLE ON CODE
112-		HEAT AND VENT SYSTEM PROVISIONS DETAILS								Ref	A
-1	3205439	VALVE ASSY, Air Damper (see figures 110 and 111)								2	A
	3205403	CASE ASSY, Hot air damper valve								2	A
	F312-1	BEARING, Quilite (press to fit) (AXD)								2	A
-2	AN3-5A	BOLT								4	A
	AN960D10	WASHER								2	A
	AN365-1032	NUT								1	A
-3	2205434	VANE ASSY, Air damper valve								1	A
-4	2205436	VANE ASSY, Air damper valve								1	A
-5	2205437	ARM, Air damper								2	A
-6	2205438	LINK, Air damper								1	A
-7	AN500-8-10	SCREW								2	A
-8	AN365-832	NUT								2	A
-9	AN393-17	PIN								2	A
-10	AN960D10	WASHER								2	A
	5205603	ELECTRICAL DRIVE INSTL, Forward (see figure 110)								Ref	A
-11	6203-19	CONTROL ASSY, Air duct valve electric drive (RW) (parts to be in accordance with Douglas Specification drawing number 4208181)								1	A
		(ATTACHING PARTS)									
-12	AN3-6A	BOLT								2	A
	AN960-10	WASHER								2	A
	AN365-1032	NUT								2	A
-13	AN520-10R8	SCREW (formerly 1027300-10-8)								2	A
	AN960-10	WASHER								2	A
	AN365-1032	NUT								2	A
-14	4275829	SUPPORT, Forward electric drive lower								1	A
		(ATTACHING PARTS)									
-15	AN3-10A	BOLT								1	A
	AN960-10L	WASHER								1	A
	AN365-1032	NUT								1	A
-16	4275828	SUPPORT								1	A
		(ATTACHING PARTS)									
-17	AN23-10A	BOLT								2	A
	AN960-10L	WASHER								2	A
	AN365-1032	NUT								1	A
-18	AN23-11A	BOLT								1	A
	AN960-10L	WASHER								1	A
	AN365-1032	NUT								2	A
-19	AN23-9A	BOLT								2	A
	AN960-10L	WASHER								2	A
	AN365-1032	NUT								2	A
-20	2207640	COUPLING ASSY, Forward air damper valve								1	A
-21		MOGUL PACKING, Style number C-193 1/16 by 10-in. (JM)								2	A
-22	124682-7D12-091	WASHER								2	A
-23	1192379	NUT								2	A
		A USAF 44-34098 thru 44-36797									

Section II
Group Assembly Parts List

T.O. 1B-26B-4
FUSELAGE

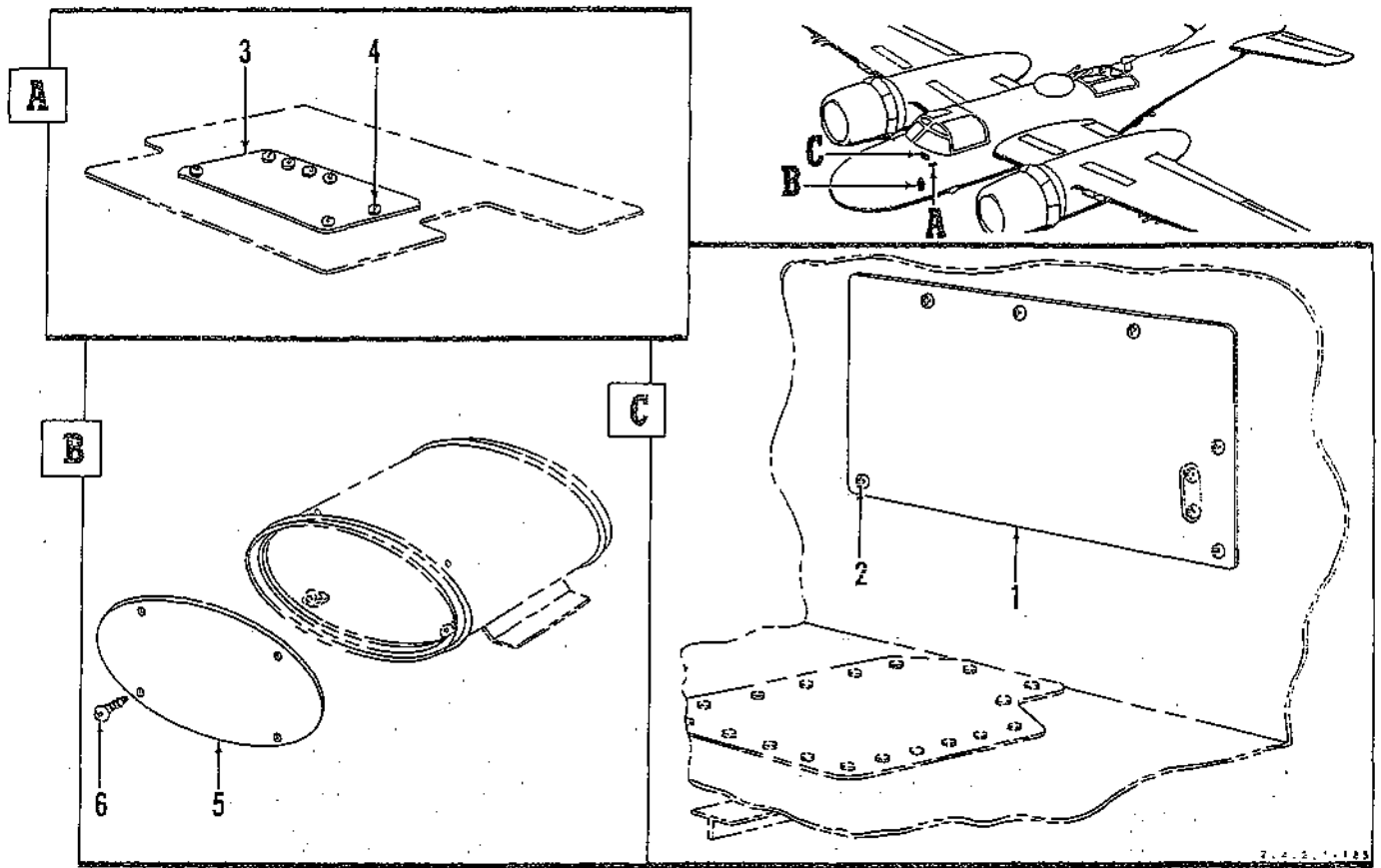


Figure 113. Patch and Cover Heat and Vent System Installation

FIGURE & INDEX NO.	PART NO.	1 2 3 4 5 6 7	DESCRIPTION	UNITS PER ASSY	USABLE ON CODE
113-			PATCH AND COVER, HEAT AND VENT SYSTEM INSTL		
-1	52SCC900 52SCC597		COVER INSTL, Ventilating, heating and pilot foot warmer	1	A
-2	AN330-10R6 A6191-10Z3		COVER, Pilot foot warmer- (ATTACHING PARTS)	1	A
			SCREW	6	A
			NUT, Speed (Tin)	6	A
-3	52SCB935 52SCB934		OUTLET INSTL, Pilot flow patch plenum chamber	1	A
			PATCH, Pilot floor plenum chamber (ATTACHING PARTS)	1	A
-4	AN526-1032-10 AN960-10 AN365-1032		SCREW	7	A
			WASHER	7	A
			NUT	7	A
-5	52SCB534 52SCB534-1		COVER INSTL, Duct	1	A
			COVER, Duct (ATTACHING PARTS)	1	A
-6	AN530-4R6		SCREW	4	A
			*		
			*		
			A USAF 44-34718, 44-34723, 44-35361, 44-35380, 44-35382, 44-35383, 44-35391, 44-35411, 44-35412, 44-35530, 44-35631, 44-35641, 44-35703, 44-35753, 44-35763, 44-35777, 44-35784, 44-35790, 44-35835, 44-35849, 44-35858, 44-35856, 44-35857, 44-35860, 44-35867, 44-35868, 44-35872, 44-35876, 44-35877, 44-35880, 44-35919, 44-35926, 44-35928, 44-35930, 44-35932, 44-35934		

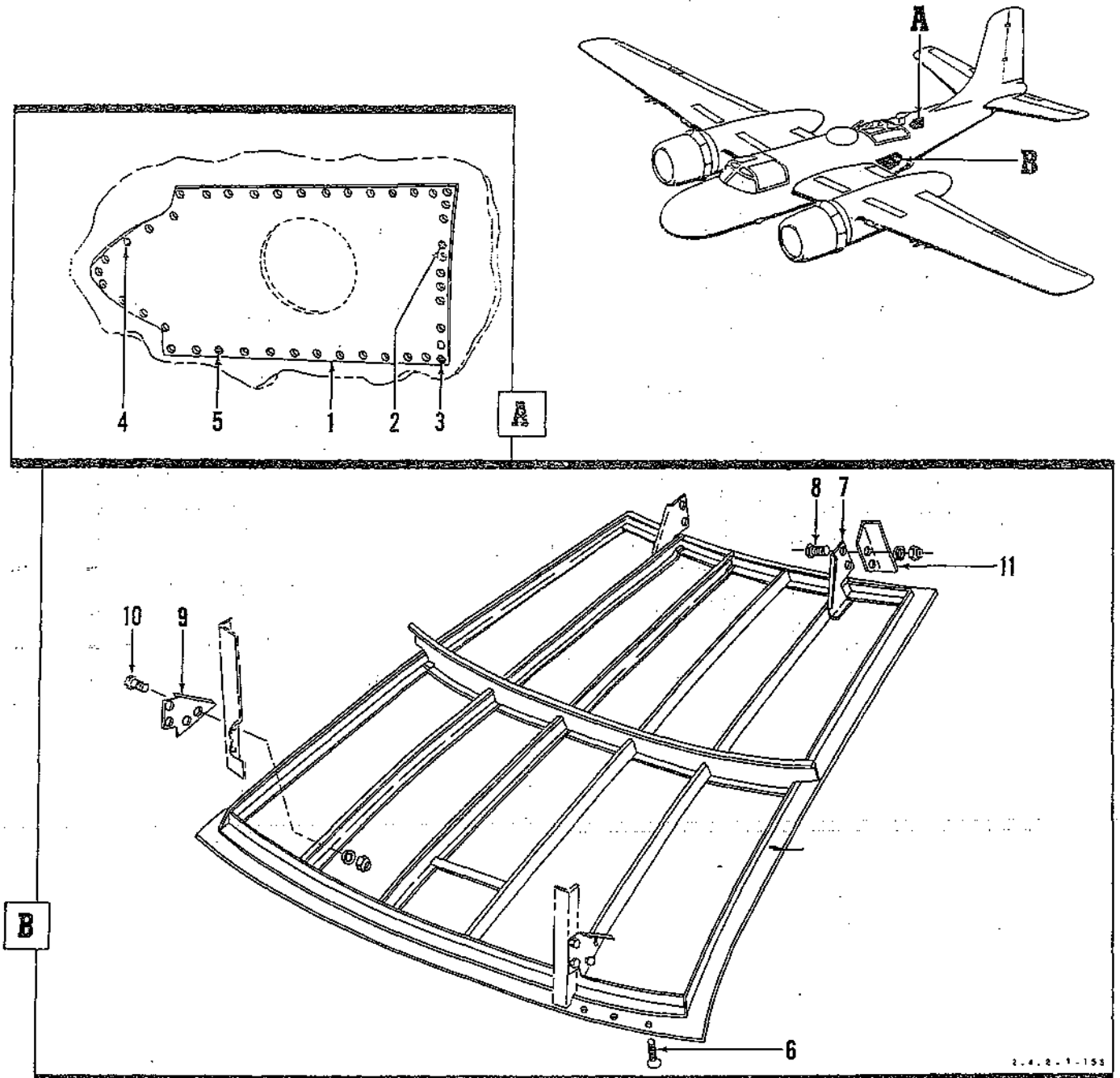


Figure 114. Aft Cold Air Scoop and Lower Turret Cover Installation

Section II
Group Assembly Parts List

T.O. 1B-26B-4

FIGURE & INDEX NO.	PART NO.	1	2	3	4	5	6	7	DESCRIPTION	UNITS PER ASSY	USABLE ON CODE
114-									AFT GOLD AIR SCOOP AND LOWER TURRET COVER INSTL		
-1	52SCC930								COVER INSTL, Aft cold air scoop	1	A
	52SCC925								COVER, Aft cold air scoop (ATTACHING PARTS)	1	A
-2	AN507-832R10								SCREW	12	A
	AN960-8								WASHER	12	A
	AN365-832								NUT	12	A
-3	AN507-832R11								SCREW	4	A
	AN960-8								WASHER	4	A
	AN365-832								NUT	4	A
-4	AN507-832R8								SCREW	11	A
	AN960-8								WASHER	11	A
	AN365-832								NUT	11	A
-5	AN507-832R9								SCREW	17	A
	AN960-8								WASHER	17	A
	AN365-832								NUT	17	A
	51SCF1066								COVER INSTL, Lower turret	1	A
	51SCR1061								COVER ASSY, Lower turret (ATTACHING PARTS)	1	A
-6	AN507-1032R8								SCREW	78	A
-7	51SCB1064L								GUSSET, Rear turret cover LH	1	A
	51SCB1064R								GUSSET, Rear turret cover RH (ATTACHING PARTS)	1	A
-8	AN3-3A								BOLT	2	A
	AN960-10								WASHER	2	A
	AN365-1032								NUT	2	A
-9	51SCB1063L								GUSSET, Front turret cover LH	1	A
	51SCB1063R								GUSSET, Front turret cover RH (ATTACHING PARTS)	1	A
-10	AN3-3A								BOLT	4	A
	AN960-10								WASHER	4	A
	AN365-1032								NUT	4	A
-11	51SCB1579								ANGLE, Cover support	2	A
		A USAF	44-3471B,	44-34723,	44-35361,				44-35380, 44-35382, 44-35383,		
			44-35391, 44-35411, 44-35412,						44-35530, 44-35531, 44-35641,		
			44-35700, 44-35753, 44-35763,						44-35777, 44-35784, 44-35790,		
			44-35835, 44-35849, 44-35853,						44-35855, 44-35857, 44-35860,		
			44-35867, 44-35868, 44-35872,						44-35875, 44-35877, 44-35880,		
			44-35910, 44-35926, 44-35928,						44-35930, 44-35932, 44-35934		

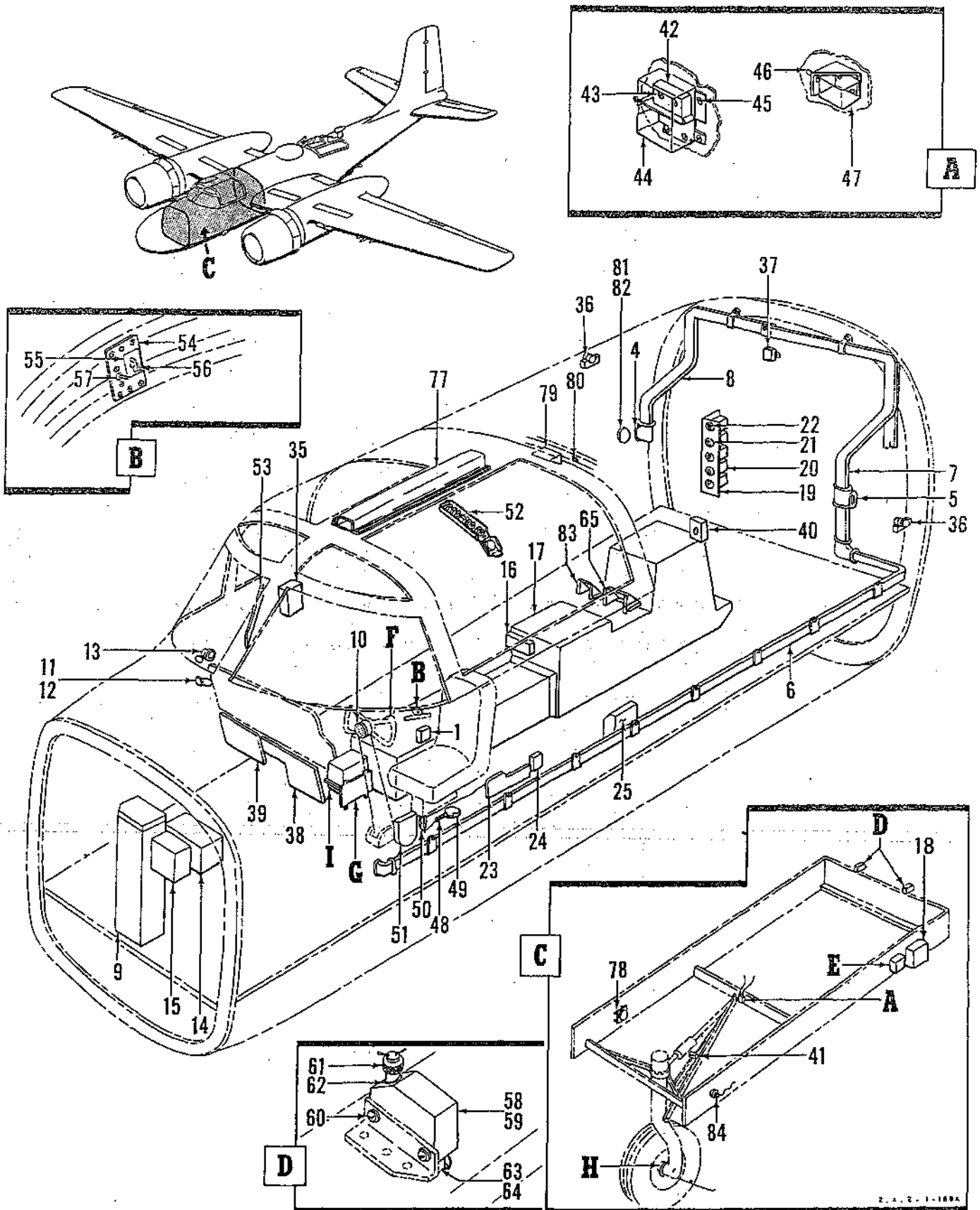


Figure 115. Fuselage Forward Section Electrical Installation (Sheet 1 of 2)

Section II
Group Assembly Parts List

T.O. 1B-26B-4

FUSELAGE

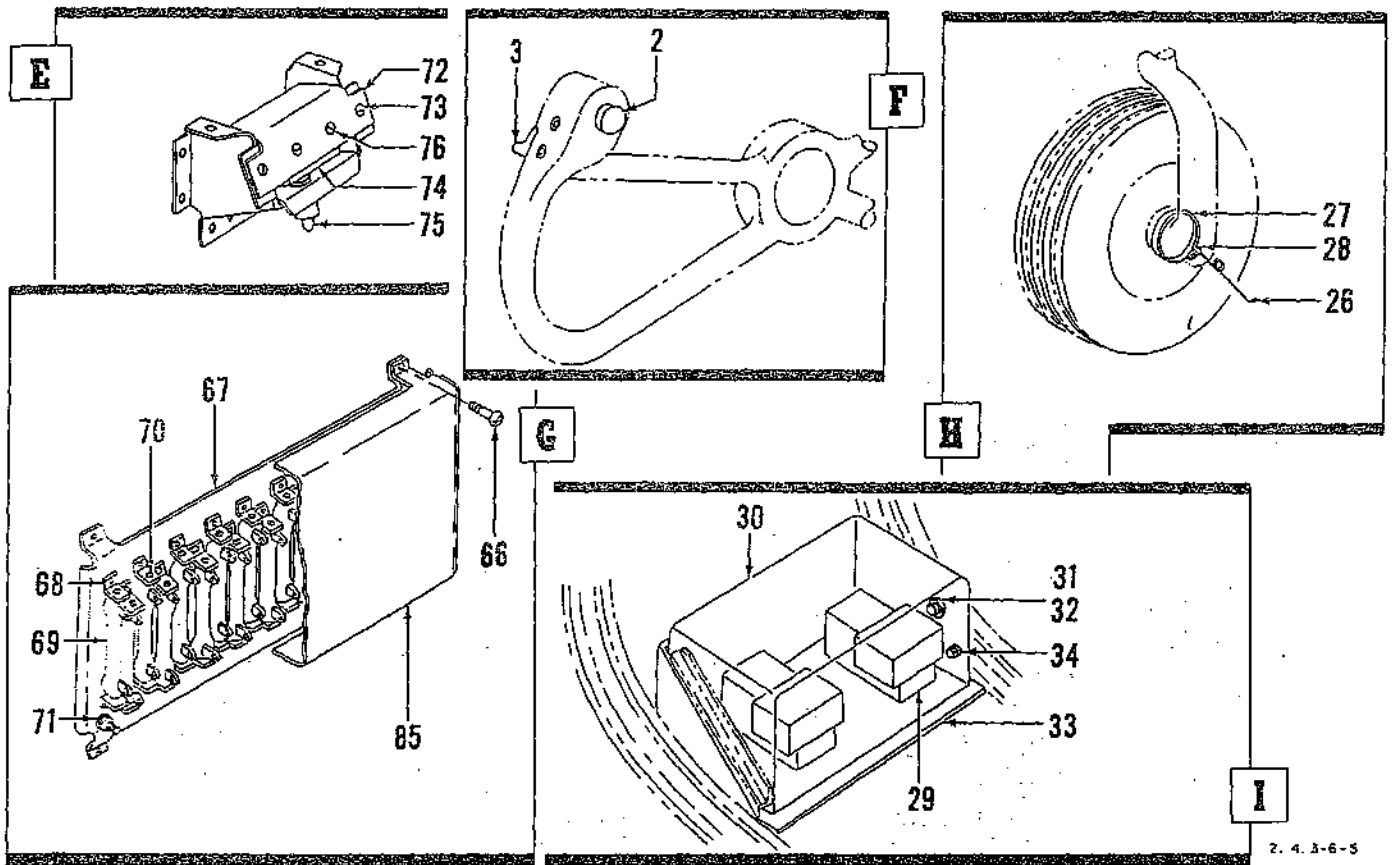


Figure 115. Fuselage Forward Section Electrical Installation (Sheet 2 of 2)

FIGURE & INDEX NO.	PART NO.	1 2 3 4 5 6 7	DESCRIPTION	UNITS PER ASSY	USABLE ON CODE
115-	5153187		ELECTRICAL INSTL, Fuselage forward section (see figure 40)	Ref	C
	5204904		ELECTRICAL INSTL, Fuselage forward section (see figure 40)	Ref	D
-1	5209307		ELECTRICAL INSTL, Fuselage forward section (see figure 40)	Ref	A
	5196749		INTERCALL SIGNAL LAMP BOX INSTL	1	A,C,D
	1195936		BOX ASSY, Intercall signal lamp	2	A,C,D
	AN530-8-10		(ATTACHING PARTS)		
			SCREW	2	A,C,D
			LAMP	2	A
-2	AN3121-313		ELECTRICAL INSTL, Pilot control wheel	1	C,D
	5150211		ELECTRICAL INSTL, Pilot control wheel	1	A
	5153211		SWITCH, Pushbutton (SQ)	1	A,C,D
	980		(ATTACHING PARTS)		
			SCREW	1	A,C,D
			DISC	1	A,C,D
-3	981		SWITCH, Trigger (SQ)	2	A,C,D
			(ATTACHING PARTS)		
	1027305-6-10		SCREW	2	A,C,D
			PLUG (UG)	1	A,C,D
-4	5191075		BUS BAR INSTL, Fuselage section electrical	1	A,C,D
	2129320		COVER, Electrical bus bar right angle insulating	4	A,C,D
	AN4-10A		BOLT	4	A,C,D
	124682-4S14- 062		WASHER	4	A,C,D
	AN365-428		NUT	4	A,C,D
				COVER, Three way junction electrical bus bar	1
-5	2151656		BOLT	2	A,C,D
	AN4-10A		WASHER	2	A,C,D
	124682-4S14- 062		NUT	2	A,C,D
-6	AN365-428		BUS BAR, Fuselage main electrical sta 20 to 102	1	A,C,D
	4203700-50		(ATTACHING PARTS)		
			CLIP (TIN)	8	A,C,D
	A1984-8Z				

FIGURE & INDEX NO.	PART NO.	DESCRIPTION							UNITS PER ASSY	USABLE ON CODE
		1	2	3	4	5	6	7		
115-	AN530-8-8								8	A,C,D
-7	4203700-52							BUS BAR, Fuselage main electrical LH wing junction to crossover	1	A,C,D
-8	4203700-54							BUS BAR, Fuselage main electrical RH wing junction to crossover (ATTACHING PARTS)	1	A,C,D
	1203516							CLIP	1	A,C,D
-9	5195411							JUNCTION BOX INSTL, Fuselage section electrical forward (see figure 123)	1	A,C,D
	5159559							ELECTRICAL INSTL, Control column	1	A,C,D
	1125922							SHELL, Control column terminal panel mounting	1	A,C,D
-10	2126629							PANEL ASSY, Control column connector (ATTACHING PARTS)	1	A,C,D
	AN515-6-5							SCREW	3	A,C,D
	AN960D6							WASHER	3	A,C,D
	AN365-632							NUT	3	A,C,D
	AN960D3							WASHER	16	A,C,D
	AN935-8L							WASHER	8	A,C,D
	AN340B8							NUT	8	A,C,D
	5191313							FLUORESCENT LAMP INSTL, Pilot instrument panel	1	C
	5205378							PANEL LAMP INSTL, Pilot electrical and instrument	1	A,D
-11	AN3121-1819							LAMP	2	A,C,D
-12	NAF48379-3							BASE (ATTACHING PARTS)	2	A,D
	AN530-6R8							SCREW	2	A,D
	A11B81M1							NUT (TIN)	2	A,D
-13	X244							LAMP ASSY, Type C-5 LAMP ASSY, Type C8 (CLD) (ATTACHING PARTS)	2 2	C,D A,F
	AN515-6-8							SCREW	2	A,F
	AN960D6							WASHER	2	A,F
	AN365-632							NUT	2	A,F
-14	5192464							TELLTALE CONVERTER, INSTL (see figure 123)	1	C
-15	5205051							TELLTALE CONVERTER INSTL (see figure 123)	1	D
-16	5204815							SWITCH BRACKET INSTL, Control pedestal (see figure 117)	1	A,D
-17	5208221							ELECTRICAL INSTL, Control pedestal (see figure 117)	1	A
	5123051							ELECTRICAL INSTL, Control pedestal (see figure 117)	1	C,D
	5193185							JUNCTION BOX INSTL, Fuselage ignition	1	A,C,D
-18	4123751							BOX ASSY, Ignition junction (ATTACHING PARTS)	1	A,C,D
	AN515-8-10							SCREW	4	A,C,D
	AN960D8							WASHER	4	A,C,D
	5153524							RHEOSTAT INSTL, Fuel booster pump	1	A,C,D
-19	5153523							SUPPORT, Fuel booster pump rheostat	1	A,C,D
-20	Q308							RHEOSTAT, Model J 50 watt 0.5 ohm (OM)	5	A,C,D
-21	5000							DIAL, Rheostat (OM)	5	A,C,D
-22	5116							KNOB, Rheostat (OM)	5	A,C,D
-23	5206574							PANEL AND SHIELD INSTL, Pilot electrical distribution (see figure 117)	1	A,J
	5206707							PANEL AND SHIELD INSTL, Pilot electrical distribution (see figure 117)	1	H
	5194569							PANEL AND SHIELD INSTL, Pilot electrical distribution (see figure 117)	1	G
	5154997							RHEOSTAT AND RECOGNITION LIGHT CONTROL INSTL, Pilot suit heat	1	A,C,D
-24	2156936							CONTROL ASSY, Pilot operated recognition light (see figure 118)	1	K
	2207256							CONTROL ASSY, Pilot operated recognition light (see figure 118) (ATTACHING PARTS)	1	L
	AN530-8-8							SCREW	4	K,L
	AN960D8							WASHER	4	K,L
-25	No Number							RHEOSTAT ASSY, Type Q-1C suit heat (Spec MIL-R-6274) (ATTACHING PARTS)	1	A,C,D
	AN530-8-8							SCREW	4	A,C,D
	AN960D8							WASHER	4	A,C,D
-26	5276775							GROUND INSTL, Nose wheel static	1	A,C-R
	4276776							WIRE ASSY, Nose wheel static ground	1	A,C-R
-27	2195157							CLAMP, Nose wheel static ground (ATTACHING PARTS)	1	A,C-R
-28	110242-3-11H							BOLT	1	A,C-R
	AN960D10							WASHER	1	A,C-R
	AN365-1032							NUT	1	A,C-R
-29	5195434							REGULATOR INSTL, Fuselage section voltage REGULATOR, Voltage (USAF Spec 32277A) (GFP)	1 2	A,C,D A,C,D

Section II

T.O. 1B-26B-4

Group Assembly Parts List

FIGURE & INDEX NO.	PART NO.	DESCRIPTION							UNITS PER ASSY	USABLE ON CODE
		1	2	3	4	5	6	7		
115-30	5195435								1	A,C,D
-31	AN3064-6								1	A,C,D
-32	AN3066-5								1	A,C,D
-33	40D8445-1								1	A,C,D
	40D8445-2								1	A,C,D
-34	1093732								1	A,C,D
	4195321								1	A,C,D
-35	4195322								1	A,C,D
	AN530-8R6								4	A,C,D
	AN3121-313								3	A,C,D
	319A								5	A,C,D
	AN3124-SB307								2	A,C,D
	AN3124-307								3	A,C,D
-36	2207273								1	M
-37	2207927								1	M
-38	3204982								1	A,C,D
-39	5195529								1	C
	4195269								1	A,C,D
-40									1	A,C,D
-41	5206709								1	A,J
	5205906								1	P
	5206024								1	A,J
-42	AN3210-1								1	A,J
	9-10831								1	A,J
-43	AN515-6-28								2	A,J
	2208541								2	A,J
	AN960-6								2	A,J
	2033900-5D049-018								2	A,J
	AN365-632								2	A,J
-44	2206030								1	A,J
-45	AN530-8R8								4	A,J
	AN960-8								4	A,J
	A1778-8 Z1								4	A,J
	5152061								1	G,H
-46	AN3023-10								1	G,H
	AN515-6-6								2	G,H
	AN960D6								2	G,H
-47	2151726								1	G,H
	5143530								1	A,C,D
-48	AN3089-2								1	A,C,D
-49	2542								1	A,C,D
	AN530-6-10								4	A,C,D
	AN960-6								4	A,C,D
	A6191-6Z3								1	
	A6195-6Z3								3	
-50	1143569								1	A,C,D
	AN530-6-8								4	A,C,D
	AN960-6								4	A,C,D
	A6195-6Z3								4	A,C,D
-51	4143531								1	A,C,D
	AN530-6-8								3	A,C,D
	AN960-6								3	A,C,D
	A6195-6Z3								3	A,C,D
	2545-1								1	A,C,D
	2545-2								1	A,C,D
	2545-3								1	A,C,D
	2545-4								1	A,C,D
-52	5195431								1	C,D
	5143275								1	
-53	2143274								1	C,D
	AN530-6-6								4	C,D
	AN960D6								4	C,D
	A6052-6Z3								4	C,D
-54	5275188								1	A
	2275187								1	A
	AN515-8-10								6	A

FIGURE & INDEX NO.	PART NO.	DESCRIPTION							UNITS PER ASSY	USABLE ON CODE
		1	2	3	4	5	6	7		
115-	AN960-8 AN365-832								6 6	A A
-55	No Number								1	A
-56	5116								1	A
-57	AN3022-3 3207804								1 1	A A
-58	AN3210-1								1	A
-59	PSH3206-L PSH3206-R								1 1	A A
-60	AN515-8R8 AN960D8 AN935-8L								4 4 4	A A A
-61	AN3054-6								2	A
-62	AN931-3-9								2	A
-63	1023500								2	A
-64	AN315-3R 5191957								2	A
-65	4121067								1	C
	AN530-8-8 AN960D8 A1778-8Z1 AN515-8-10 AN365-832								2 3 2 1 1	C C C C C
	4205041								1	A,D
-56	AN515-8-8 AN960-8 AN365-832								4 4 4	
-67	4205042								1	A,D
-68	1205064								40	A,D
-69	48								20	A,D
-70	AN515-6-40 AN960-6 124682-1F7-062 AN340-6								1 2 2 1	A,D A,D A,D A,D
-71	1093732 4195293								1 1	A,D A,C,D
-72	1194938								1	A,C,D
-73	AN530-6-6 AN960D616 A1784-6Z1								2 2 2	A,C,D A,C,D A,C,D
-74	AN3210-1								1	A,C,D
-75	AN515-6-20								1	A,C,D
-76	AN365-632								1	A,C,D
-77	5207964								1	A
-78	AN3022-2 AN3044-1 AN3133-311 5194547 5208037								1 1 1 1 1	B B B A C,D
-79	AN3124-5B307 AN3037-2								1 1	C,D C,D
	2153804 AN530-6-8 A1181-6Z1								1 6 6	A A,C,D A,C,D
-80	AN3022-2								1	A,C,D
	AN530-6-8 AN960-6 A1801-6Z1								6 6 6	A,C,D A,C,D A,C,D
-81	2203135-2								1	D,R
-82	2203135-4 L369-12 L369-26								1 1 1	D,R A A
-83	AN3022-3								2	D
-84	CA275X								2	A
-85	53C4082								1	

Section II

T.O. 1B-26B-4

Group Assembly Parts List

FIGURE & INDEX NO.	PART NO.	DESCRIPTION							UNITS PER ASSY	USABLE ON CODE
		1	2	3	4	5	6	7		
115-		A USAF	44-34098 thru	44-35197	B USAF	44-34098 thru	44-35197,			
			44-35656 thru	44-35966		44-34776				
		C USAF	41-39100 thru	41-39139		44-35656 thru	44-35947,			
			43-22252 thru	43-22301		44-35953				
		D USAF	41-39140 thru	41-39599	E USAF	41-39140 thru	41-39213			
			43-22302 thru	43-22751		43-22302 thru	43-22399			
			44-35198 thru	44-35655		43-22467 thru	43-22493			
		F USAF	41-39214 thru	41-39599	G USAF	41-39100 thru	41-39159			
			43-22400 thru	43-22466		43-22252 thru	43-22453			
			43-22494 thru	43-22751		43-22467 thru	43-22564			
			44-35198 thru	44-35655						
		H USAF	41-39160 thru	41-39299	J USAF	41-39300 thru	41-39599			
						43-22454 thru	43-22466			
						43-22565 thru	43-22751			
					44-35198 thru	44-35655				
	K USAF	41-39100 thru	41-39199	L USAF	41-39200 thru	41-39299				
					43-22252 thru	43-22387				
					43-22467 thru	43-22486				
	M USAF	41-39170 thru	41-39599	N USAF	41-39250 thru	41-39599				
	O USAF	41-39100 thru	41-39123	P USAF	41-39124 thru	41-39299				
		43-22252 thru	43-22266		43-22267 thru	43-22453				
					43-22467 thru	43-22564				
	R USAF	41-39100 thru	41-39119							
		43-22252 thru	43-22301							

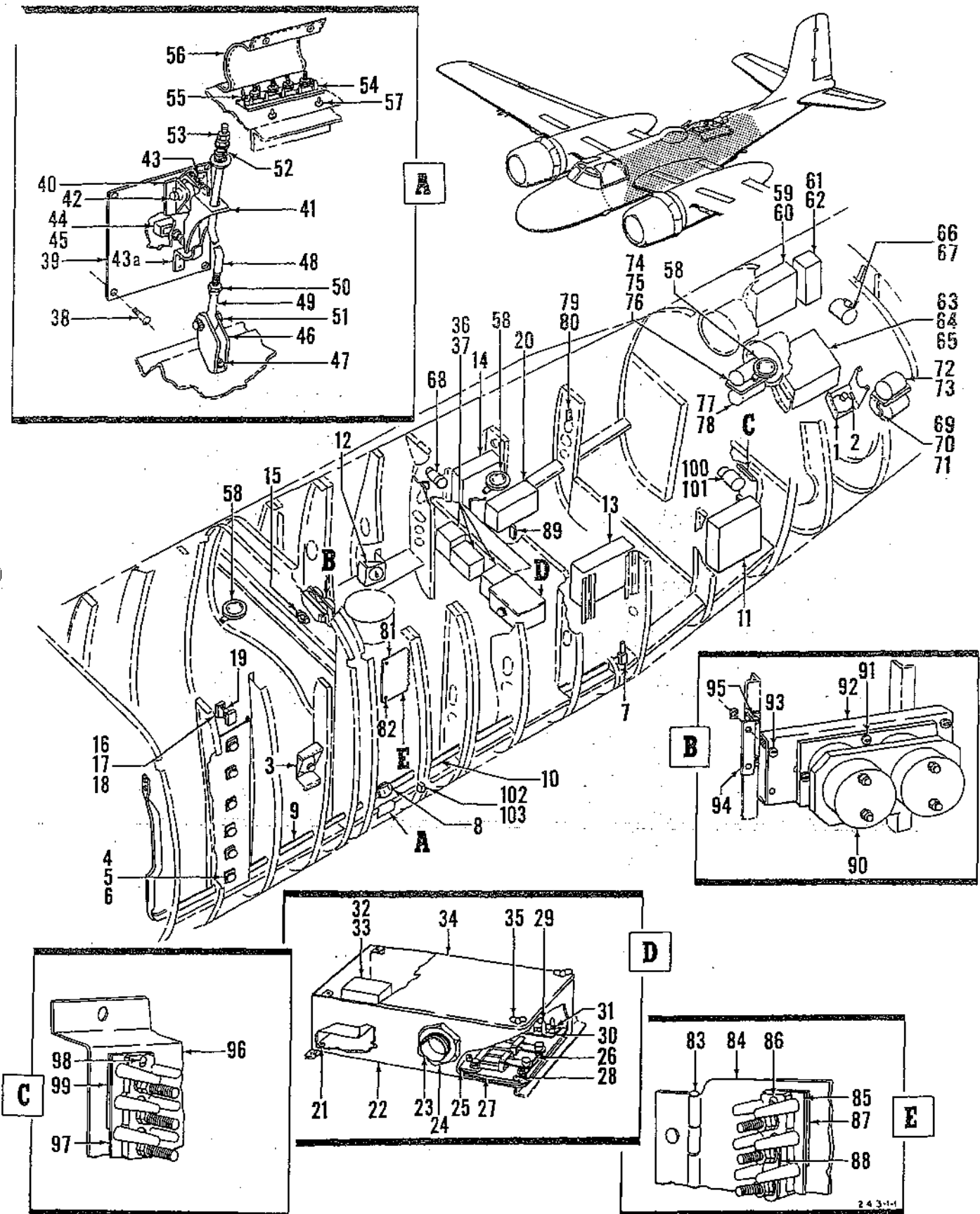


Figure 116. Fuselage Section Electrical Installation

Section II
Group Assembly Parts List

T.O. 1B-26B-4

FIGURE & INDEX NO.	PART NO.	1 2 3 4 5 6 7	DESCRIPTION	UNITS PER ASSY	USABLE ON CODE
116-	5153187		ELECTRICAL INSTL, Fuselage section (see figure 115)	Ref	A
	5204904		ELECTRICAL INSTL, Fuselage section (see figure 115)	Ref	B
-1	5209307		ELECTRICAL INSTL, Fuselage section (see figure 115)	Ref	C
	5195558		DOME LAMP AND SWITCH INSTL, Sta 315	1	
	AN3124SB307		LAMP (ATTACHING PARTS)	1	
	PK79XZ-6		SCREW (Formerly 114189Z6-6)	6	
	A1181-6Z1		NUT (TIN)	6	
-2	AN3022-2		SWITCH (ATTACHING PARTS)	1	
	AN515-6-6		SCREW	2	
	AN960D6		WASHER	2	
-3	5195565		DOME LAMP INSTL, Forward bomb bay	1	
	AN3124SB307		LAMP (ATTACHING PARTS)	1	
	AN530-6-8		SCREW	6	
	5195562		BOMB RACK ELECTRICAL INSTL, Fuselage section forward	1	A
	5195561		BOMB RACK ELECTRICAL INSTL, Fuselage section forward	1	A
	5205139		BOMB RACK ELECTRICAL INSTL, Fuselage section forward	1	B,C
	5205138		BOMB RACK ELECTRICAL INSTL, Fuselage section forward	1	B,C
-4	43B11200		RECEPTACLE, Type A-1 (GFP) (ATTACHING PARTS)	AR	
-5	AN507-832R7		SCREW (Formerly 1087510-8-7)	4	
-6	1206182		SPACER, Bomb-release receptacle (ATTACHING PARTS)	AR	
	AN515-3-6		SCREW	2	
	5191075		ELECTRICAL BUS BAR INSTL, Fuselage section	1	
-7	2129320		COVER, Electrical bus bar right angle insulating	1	
-8	2151656		COVER, Three-way junction electrical bus bar (ATTACHING PARTS)	1	
	AN4-10A		BOLT	1	
	124682-4S14-062		WASHER	2	
	AN365-428		NUT	1	
-9	4203700-56		BUS BAR, Fuselage main electrical (cross over to sta 130)	1	
-10	4203700-58		BUS BAR, Fuselage main electrical (sta 130 to 225) (ATTACHING PARTS)	1	
	A1984-8Z		CLIP (TIN)	5	
	AN530-8-8		SCREW	5	
-11	5195507		RELAY SHIELD INSTL, Fuselage section aft (see figure 117)	1	
	5195564		DOME LAMP AND SUPPORT INSTL, Aft bomb bay	1	
-12	AN3124SB307		LAMP (ATTACHING PARTS)	1	
	1114189Z6-6		SCREW (Formerly 1114189Z6-6)	6	
	5194557		CONTROL BOX INSTL, Fuselage main turret	1	
-13	T8601970		BOX ASSY, Control (GE) (GFP) (ATTACHING PARTS)	1	
	AN520-10-8		SCREW	4	
	AN960-10		WASHER	4	
	5195513		SERVO AMPLIFIER AND SUPPORT INSTL, Fuselage section upper turret	1	
-14	2CV1B1		AMPLIFIER, Servo (GE M6988863) (GFP) (ATTACHING PARTS)	1	
	AN515-8-14		SCREW	4	
	AN960D8		WASHER	4	
	5208663		WING FLAP MOTOR CAPACITOR INSTL	1	
-15	CA275X		CAPACITOR (MAL) (ATTACHING PARTS)	2	
	AN515-8R8		SCREW	3	
	AN960-8		WASHER	3	
	AN365-832		NUT	3	
	2207273		BRACKET ASSY, Fuel booster pump capacitor	1	D
-16	CA275X		CAPACITOR (MAL) (ATTACHING PARTS)	2	D
	AN515-8-8		SCREW	1	D
	AN960B8		WASHER	2	D
	AN365-832		NUT	1	D
	AN515-8-10		SCREW	1	D
-18	NAS43DD2-12		SPACER (Formerly 117425-2D006)	1	D
	AN960-8		WASHER	2	D
	AN365-832		NUT	1	D
	2207272		BRACKET, Fuel booster pump capacitor	2	D
-19	3208304		KIT INSTL, Spare parts	1	C
-20	8244904		KIT, Spare parts (GE) (GFP) (ATTACHING PARTS)	1	C

FIGURE & INDEX NO.	PART NO.	DESCRIPTION							UNITS PER ASSY	USABLE ON CODE
		1	2	3	4	5	6	7		
116-	AN515-8-8	SCREW							4	C
	AN960-8	WASHER							4	C
	5204872	RELAY JUNCTION BOX AND RACK SELECTOR RELAY							1	B,C
	5205815	INSTL, Bomb salvo							1	B,C
		JUNCTION BOX ASSY, Relay								
		(ATTACHING PARTS)								
-21	AN530-8-8	SCREW							4	B,C
	A1786-8Z1	NUT, Speed (TIN)							4	B,C
-22	5205815-2	JUNCTION BOX, Relay							1	B,C
-23	AN3064-20	BOX CONNECTOR							1	B,C
-24	AN3066-20	NUT							1	B,C
-25	1206060	BUS BAR							4	B,C
-26	1206061	BUS BAR							2	B,C
-27	1253DEW3	RELAY (LR)							2	B,C
		(ATTACHING PARTS)								
-28	AN530-6-10	SCREW							4	B,C
-29	2062648-16B	TERMINAL STRIP							1	B,C
-30	NAS21-2-191	TAB (Formerly 1152348)							8	B,C
-31	AN530-4-6	SCREW							3	B,C
-32	G34464	RELAY, Salvo time delay (GN)							2	B,C
		(ATTACHING PARTS)								
-33	AN515-6-8	SCREW							4	B,C
	AN960-6	WASHER							4	B,C
	AN365-632	NUT							4	B,C
-34	5205815-4	COVER ASSY, Relay junction box							1	B,C
		(ATTACHING PARTS)								
-35	98-OW2-17	STUD (SLK)							4	B,C
	98-2CP	PIN (SLK)							4	B,C
-36	RS2	RACK, Selector (MAL)							3	B,C
		(ATTACHING PARTS)								
-37	AN530-8-10	SCREW							4	B,C
	A1778-8Z1	NUT, Speed (TIN)							4	B,C
	5207691	SWITCH INSTL, Bomb door safety							1	F
	5205069	SWITCH INSTL, Bomb door safety							1	F
	4207845	BASE ASSY, Bomb door safety switch actuating LH							1	F
	4207845-1	BASE ASSY, Bomb door safety switch actuating RH							1	F
	4205082	BASE ASSY, Bomb door safety switch actuating LH							1	F
	4205847	BASE ASSY, Bomb door safety switch actuating RH							1	F
		(ATTACHING PARTS)								
-38	AN520-10-7	SCREW							4	
-39	2205080	BASE, Bomb door safety switch actuating LH							1	
	2205846	BASE, Bomb door safety switch actuating RH							1	
-40	4205081	HINGE, Bomb door safety switch actuating							1	
-41	4205083	PAWL, Bomb door safety switch actuating							1	
-42	AN393-37	PIN							1	
	AN960-10	WASHER							2	
-43	1205147	SPRING, Pawl retaining							1	
-43a	1205077	CLIP, Bomb door safety switch pawl retaining							1	
-44	MCM1902C2	SWITCH, Snap action (GE)							2	
-45	29-761	RENG, Locking (CUT)							2	
-46	2126740	BRACKET, Bomb rack control lock door actuating							2	
		(ATTACHING PARTS)								
-47	AN520-10-10	SCREW							2	
	AN960D10	WASHER							2	
	2205079	ROD ASSY, Bomb door safety switch actuating LH							1	E
	2205864	ROD ASSY, Bomb door safety RH							1	E
	2207843	ROD ASSY, Bomb door safety RH or RH							1	E
-48	2205078	ROD, Bomb door safety switch actuating LH							1	E
	2205863	ROD, Bomb door safety switch actuating RH							1	E
	2207842	ROD, Bomb door safety switch actuating LH or RH							2	E
-49	REB3N	END, Rod (FAF)							1	
-50	AN316-4R	NUT							1	
-51	AN3-12	BOLT							2	
	AN310-3	NUT							2	
-52	119030	SPRING, Floor attaching dog							2	
-53	AN315-4R	NUT							4	
-54	NAS191-4	STRIP ASSY (Formerly 206264-4A)							2	
		(ATTACHING PARTS)								
-55	AN530-4-6	SCREW							2	
-56	2205141	COVER ASSY, Bomb release terminal strip							2	
-57	AN227-5E	FASTENER							4	
	5196738	FORMATION LAMP INSTL, Fuselage section							1	
-58	AN3030-5	LIGHT ASSY							3	
		(ATTACHING PARTS)								
	1114189Z4-10	SCREW							5	
	5195544	TURRET ELECTRICAL EQUIPMENT INSTL, Fuselage section							1	A,B
	5208258	TURRET ELECTRICAL EQUIPMENT INSTL, Fuselage section							1	C

Section II
Group Assembly Parts List

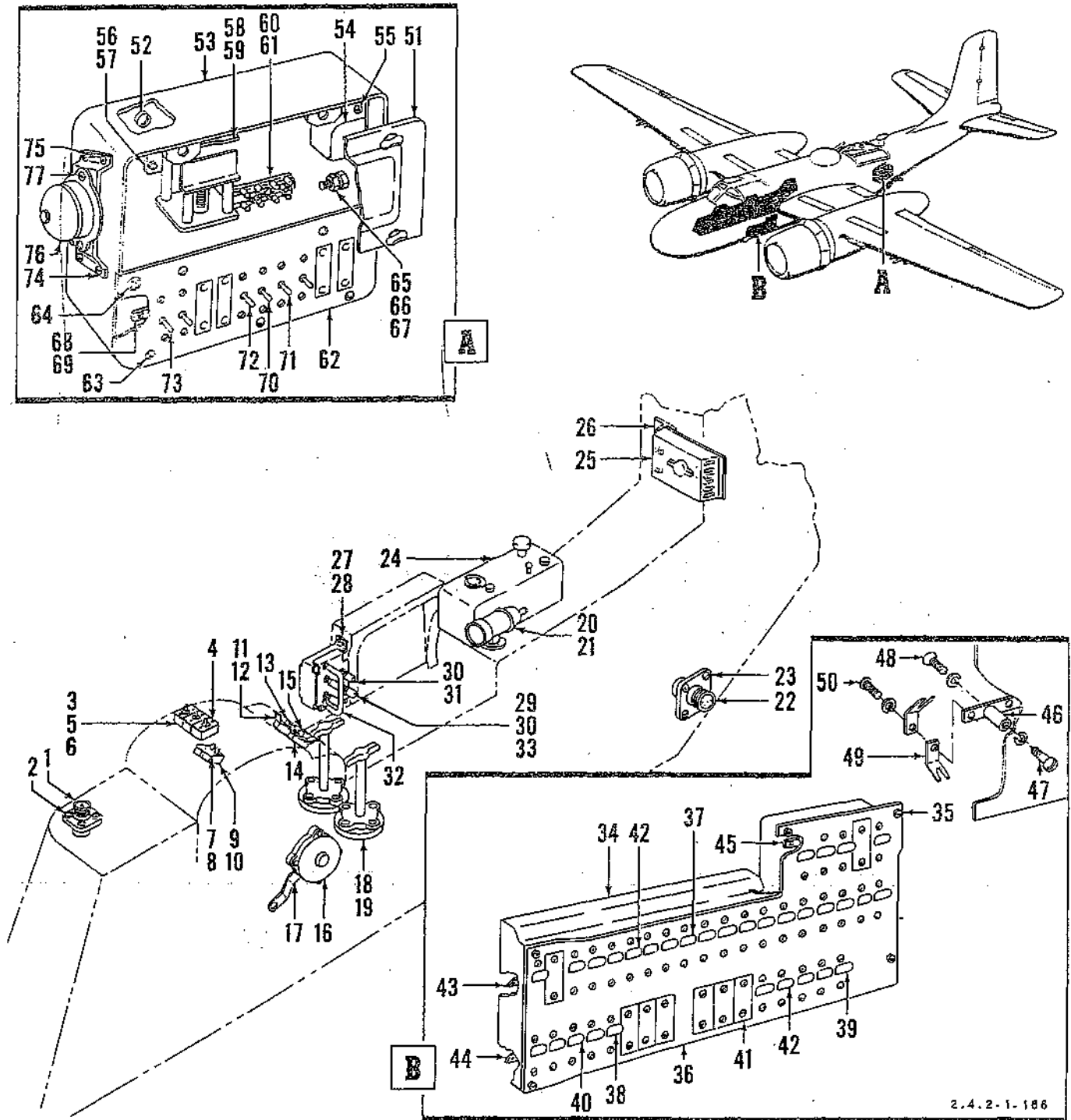
T.O. 1B-26B-4

FIGURE & INDEX NO.	PART NO.	1	2	3	4	5	6	7	DESCRIPTION	UNITS PER ASSY	USABLE ON CODE
115-59	2CV1B1								AMPLIFIER, Servo (GE M6988863) (GFP) (ATTACHING PARTS)	1	
-60	AN530-8-16								SCREW	4	
-61	B8244904								KIT, Spare parts (GE) (GFP) (ATTACHING PARTS)	1	A,B
-62	AN530-8-8								SCREW	2	A,B
	AN960D8								WASHER	2	A,B
-63	T8601969								JUNCTION BOX ASSY (GE) (GFP) (ATTACHING PARTS)	1	
-64	AN530-10-12								SCREW	2	
	AN960D10								WASHER	2	
-65	AN520-10-12								SCREW	2	
	AN960D10								WASHER	2	
	AN365-1032								NUT	2	
-66	SD21NJ3								DYNAMOTOR (GE K8124090) (GFP) (ATTACHING PARTS)	1	
-67	1128839								BOLT	4	
-68	5195584 No Number								LAMP INSTL, Gunner extension LAMP ASSY, Type E-1 (U.S. Army Spec 94-32306-B) (ATTACHING PARTS)	1 1	
	AN530-6-6								SCREW	2	
-69	5195581 530GB530								AMPLIDYNE UNIT INSTL, Upper turret SHELF, Upper turret amplidyne mounting (ATTACHING PARTS)	1 1	
-70	AN3-6A								BOLT	12	
	AN960-10L								WASHER	24	
	AN365-1032								NUT	12	
-71	NAS220-21								SCREW (formerly 1029657S8-20)	8	
	AN970-3								WASHER	8	
	AN365-832								NUT	8	
-72	5AM31NJ9								AMPLIDYNE (GE) (GFP) (ATTACHING PARTS)	2	
-73	1203066								STUD, Turret amplidyne mounting	4	
	AN960D616								WASHER	8	
	AN310-6								NUT	8	
-74	5195578 530GB531								AMPLIDYNE SYSTEM INSTL, Lower turret SHELF, Lower turret amplidyne unit (ATTACHING PARTS)	1 1	
-75	AN3-7A								BOLT	1	
-76	AN3-6A								BOLT	11	
	AN365-1032								NUT	8	
-77	5AM31NJ9								AMPLIDYNE (GE) (GFP) (ATTACHING PARTS)	2	
-78	AN6-13								STUD	4	
	AN960-616L								WASHER	8	
	AN310-6								NUT	8	
-79	AN3022-1								SWITCH (ATTACHING PARTS)	1	
-80	AN530-6-8								SCREW	2	
-81	5195577 4202804								ELECTRICAL DISCONNECT INSTL, Fuselage section aft wing PANEL ASSY, Fuselage section aft wing electrical disconnect	1 1	
-82	AN530-4-6								SCREW	2	
	AN960D4								WASHER	2	
	A1776M1								NUT (TIN)	2	
-83	1000759S120-1212								PIN, Hood hinge	1	
-84	4202804-2								PANEL	1	
-85	NAS191-14								TERMINAL STRIP ASSY (formerly 2062648-14A)	4	
-86	AN530-4-8								SCREW	12	
	A6195-423								NUT (TIN)	12	
-87	NAS21-2-191								TAB (Formerly 1152348)	12	
-88	NAS44-191P2								BUS BAR (formerly 1152349-2)	2	
	5204781								SWITCH INSTL, Gunner emergency exit	1	B,C
-89	AN3023-2								SWITCH (ATTACHING PARTS)	1	B,C
	AN515-6-8								SCREW	2	B,C
	AN960-6								WASHER	2	B,C
	AN3028-2								GUARD	1	B,C
-90	5195550 7108D24								RELAY INSTL, Wing flap motor RELAY (LR) (ATTACHING PARTS)	1 1	
-91	AN530-10-16								SCREW	4	
	AN960-10								WASHER	4	
	A1779-10Z1								NUT (TIN)	4	
-92	2195149								SUPPORT, Wing	1	

FIGURE & INDEX NO.	PART NO.	1	2	3	4	5	6	7	DESCRIPTION	UNITS PER ASSY	USABLE ON CODE
116-93	AN530-10-8 AN960-10 A1791-1021								(ATTACHING PARTS) SCREW..... WASHER..... NUT (TIN).....	4 4 4	
-94	1194980								ANGLE, Wing flap motor relay support (ATTACHING PARTS)	2	
-95	AN530-10-10 AN960-10 A1779-10Z1								SCREW..... WASHER..... NUT (TIN).....	2 2 2	
	5206206								PANEL INSTL, Turret equipment disconnect	1	B,C
	3206207								PANEL, Turret equipment disconnect.....	1	B,C
-96	3206207-2								PANEL.....	1	B,C
-97	NAS191-14								STRIP ASSY, Terminal (Formerly 2062648-14A).....	3	B,C
-98	AN530-4-8								SCREW.....	9	B,C
	A6195-4Z3								NUT (TIN).....	9	B,C
-99	NAS21-2-191								TAB (formerly 1152348).....	9	B,C
	5202790								INVERTER INSTL, Remote indicating compass.....	1	
-100									INVERTER, Rotary (Spec AN-1-10b(3)) (GFP)..... (ATTACHING PARTS)	1	
-101	AN530-8-6 A6191-8Z3								SCREW..... NUT.....	4 4	
-102	AN3022-8								SWITCH ASSY..... (ATTACHING PARTS)	2	A
-103	AN530-8-10 AN960D8 A6206-8Z3								SCREW..... WASHER..... NUT (TIN).....	2 2 2	A A A
		A USAF	41-39100	thru	41-39139				D USAF 41-39170 thru 41-39599		
			43-22252	thru	43-22301				44-34098 thru 44-35197		
									44-35656 thru 44-35996		
		B USAF	41-39140	thru	41-39599				E USAF 41-39140 thru 41-39599		
			43-22302	thru	43-22751				43-22302 thru 43-22751		
			44-35193	thru	44-35655				44-35158 thru 44-35655		
		C USAF	44-34098	thru	44-35197				F USAF 44-35098 thru 44-35996		
			44-35656	thru	44-35996						

Section II
Group Assembly Parts List

T.O. 1B-26B-4
FUSELAGE



2.4.2-1-186

Figure 117. Control Pedestal Electrical Installation

FIGURE & INDEX NO.	PART NO.	DESCRIPTION							UNITS PER ASSY	USABLE ON CODE
		1	2	3	4	5	6	7		
117-	5123051	ELECTRICAL INSTL. Control pedestal (see figure 115)							Ref	A
	5208221	ELECTRICAL INSTL. Control pedestal (see figure 115)							Ref	B
-1	AN3102-28-11P	RECEPTACLE (ATTACHING PARTS)							1	
-2	AN515-8-10	SCREW							4	
	AN960D8	WASHER							4	
	AN365-832	NUT							4	
-3	39A2512	SWITCH ASSY. Type C2 (ATTACHING PARTS)							3	
-4	AN530-6-8	SCREW							2	
	AN960D6	WASHER							2	
	A1181-6Z1	NUT (TIN)							2	
-5	1194896	BUS BAR							3	
-6	1154372-4	BUS BAR							3	
-7	1150966	BRACKET, Control pedestal landing gear throttle warning switch (ATTACHING PARTS)							1	
-8	AN515-8-10	SCREW							4	
	AN960D8	WASHER							4	
	AN365-832	NUT							4	
-9	YZRQ41A38	SWITCH (MCS) (ATTACHING PARTS)							2	
-10	AN520-6-4	SCREW							2	
	AN960D6	WASHER							2	
	AN935-6	WASHER							2	
	4209275	SWITCH ASSY. Increased carburetor heat (ATTACHING PARTS)							2	
-11	AN515-8-10	SCREW							4	
	AN960D8	WASHER							4	
-12	4209275-2	BRACKET, Increased carburetor heat							1	
-13	AN3022-3	SWITCH							1	
-14	AN3022-7	SWITCH							1	B
-15	24-1164	EXTENSION, Luminous tip lever (CUT)							1	E
	4202757	SWITCH ASSY. Wing flap control							1	A
-16	5158945-4	SWITCH ASSY. Wing flap rotary selector							1	A
-17	2158768	ARM, Pilot control pedestal selector switch actuating							1	A
	4158829	CAM ASSY. Pilot control pedestal selector							1	A
-18	5158945-2	SWITCH ASSY. Fuel selector rotary selector (ATTACHING PARTS)							2	
-19	AN500A10-20	SCREW (formerly 1027306-10-20)							2	
	AN935-102	WASHER							2	
	AN315-10	NUT							2	
-20	No Number	LIGHT, Cockpit type C-4A (Spec MIL-L-6484) (ATTACHING PARTS)							1	
-21	AN530-6-8	SCREW							2	
	AN960D6	WASHER							2	
	A1777-6Z1	NUT (TIN)							2	
-22	AN3102-32-8S	RECEPTACLE (ATTACHING PARTS)							1	
-23	AN515-8-10	SCREW							4	
	AN960D8	WASHER							4	
	AN365-832	NUT							4	
	5192591	INTERVALOMETER INSTL. Fuselage section bomb							1	
-24	No Number	INTERVALOMETER, Type B-3 (US Army Spec 93-24717) (ATTACHING PARTS)							1	CD
	AN530-6-8	SCREW							4	CD
-25	4193553	RHEOSTAT INSTL. Fuselage Section forward gunner suit heat							1	
	No Number	RHEOSTAT (U.S. Army spec. 94-32357) (ATTACHING PARTS)							1	
	AN515-8-8	SCREW							2	
	AN960D8	WASHER							4	
	AN365-832	NUT							2	
	AN530-8-6	SCREW							2	
-26	2193778	SUPPORT, Fuselage section forward gunner suit heat rheostat (ATTACHING PARTS)							1	
	AN530-8-6	SCREW							2	
	AN960D8	WASHER							2	
	A1787-8Z	NUT (TIN)							2	
	5204815	SWITCH BRACKET INSTL. Control pedestal (see figure 115)							1	B, E
	4208667	BRACKET ASSY. Pedestal switch complete							1	E
	4204789	BRACKET ASSY. Control pedestal switch (ATTACHING PARTS)							1	B
-27	AN530-8-6	SCREW							4	B, E
	AN960-8L	WASHER							4	B, E

Group Assembly Parts List

FIGURE & INDEX NO.	PART NO.	1	2	3	4	5	6	7	DESCRIPTION	UNITS PER ASSY	USABLE ON CODE
117-28	4204749								BRACKET, Control pedestal switch	1	B,E
-29	8905K514								SWITCH (CUT)	2	B,E
									(ATTACHING PARTS)		
	AN515-6-5								SCREW	2	
	AN960-6								WASHER	2	
-30	AN3022-1								SWITCH	2	B
-31	AN3022-7								SWITCH	2	E
									(ATTACHING PARTS)		
	AN515-6-5								SCREW	2	B,E
	AN960-6								WASHER	2	B,E
-32	2278312								GUARD	1	B,E
-33	24-1164-2								EXTENSION, Lever (CUT)	4	B,E
	5194569								PANEL AND SHIELD INSTL, Pilot electrical distribution	Ref	F
									(see figure 115)		
	5206707								PANEL AND SHIELD INSTL, Pilot electrical distribution	Ref	G
									(see figure 115)		
	5206574								PANEL AND SHIELD INSTL, Pilot electrical distribution	Ref	H
									(see figure 115)		
	5194566								PANEL ASSY, Pilot electrical distribution	1	C,M
	5206417								PANEL ASSY, Pilot electrical distribution	1	J,G
	5206813								PANEL ASSY, Pilot electrical distribution	1	H
-34	5202615								SHIELD, Pilot electrical distribution panel	1	F
	5206685								SHIELD, Pilot electrical distribution panel	1	G,H
									(ATTACHING PARTS)		
-35	AN530-10-10								SCREW	5	F,H
	AN960D10								WASHER	5	F,H
-36	5196702								PANEL, Pilot electrical distribution panel	1	J,H,C,M
	5206753								PANEL ASSY, Pilot electrical distribution main	1	H
-37	AN3160-15								CIRCUIT BREAKER	AR	
-38	AN3160-10								CIRCUIT BREAKER	AR	
-39	AN3160-5								CIRCUIT BREAKER	AR	
-40	AN3160-20								CIRCUIT BREAKER	AR	
	AN3160-25								CIRCUIT BREAKER	1	H
									(ATTACHING PARTS)		
	AN515-6-7								SCREW	AR	
-41	1194971								PLATE, Electrical cover	AR	
									(ATTACHING PARTS)		
	AN530-6-6								SCREW	AR	
	A1771M1								NUT (TIN)	AR	
	AN530-8-10								SCREW	AR	
	A1778-SZ1								NUT (TIN)	AR	
-42	49-1416								GUARD (CUT)	AR	
-43	4143798								BUS BAR	1	J,H,C,M
									(ATTACHING PARTS)		
	AN520-416-12								SCREW	1	
	AN960-416								WASHER	1	
	AN365-428								NUT	1	
	AN515-6-5								SCREW	1	
	AN960-6								WASHER	1	
	AN365-632								NUT	1	
-44	4207003								BUS BAR, Center	1	H
	1202784								BUS BAR, Lower	2	J,H,C,M
									(ATTACHING PARTS)		
	AN520-416-16								SCREW	1	J,H,C,M
	AN960-416								WASHER	2	J,H,C,M
	AN365-428								NUT	1	J,H,C,M
	AN520-10-12								SCREW	1	J,H,C,M
	AN960-10								WASHER	2	J,H,C,M
	AN365-1032								NUT	1	J,H,C,M
-45	124360-781-6								BUS BAR	1	J,H,C,M
-46	2207002								SUPPORT, Pilot electrical distribution panel lower bus bar	3	H
									(ATTACHING PARTS)		
-47	1027300-10-10								SCREW	3	H
	AN960-10								WASHER	3	H
	AN935-10L								WASHER	3	H
-48	AN507-1032R8								SCREW (Formerly 1087510-10-8)	3	H
-49	2207055								LINK, Connecting	36	H
									(ATTACHING PARTS)		
-50	AN520-8R6								SCREW (Formerly 1027300-8-6)	19	H
	AN935-8								WASHER	19	H
-51	5195507								RELAY SHIELD INSTL, Fuselage section aft (see figure 116)	Ref	
	4195344								COVER, Fuselage section aft relay shield	1	
	5195573								BOX ASSY, Fuselage section aft relay shield equipment	1	N,P
	5208712								BOX ASSY, Fuselage section aft relay shield equipment	1	N,P
									(ATTACHING PARTS)		
-52	AN530-10-6								SCREW	4	N,P

FIGURE & INDEX NO.	PART NO.	1	2	3	4	5	6	7	DESCRIPTION	UNITS PER ASSY	USABLE ON CODE	
117-	AN960D10								WASHER	4	N,P	
-53	5195572								BOX ASSY, Fuselage section aft relay shield	1	N,P	
	5208631								BOX ASSY, Fuselage section aft relay shield	1	N,P	
-54	SW172								RELAY (GFP)	1		
									(ATTACHING PARTS)			
-55	AN515-6-8								SCREW	4		
	AN960D6								WASHER	8		
	AN365-632								NUT	4		
-56	1202459								PLATE, Bomb signal relay	1		
									(ATTACHING PARTS)			
-57	AN530-8-8								SCREW	4		
	AN960-8								WASHER	4		
-58	ND-21								RELAY (AGASTAT) (interchangeable with NC-28)	1		
	NC-28								RELAY (AGASTAT) (interchangeable with ND-21)	1		
									(ATTACHING PARTS)			
-59	AN507-832R8								SCREW (formerly 1087510-8-8)	4		
-60	2032879-10A5-12								STRIP ASSY, Terminal	1		
									(ATTACHING PARTS)			
-61	AN515-4-7								SCREW	2		
	AN960D12								WASHER	2		
	AN365-440								NUT	2		
-62	4195337								PANEL ASSY, Fuselage aft relay shield	1		
									(ATTACHING PARTS)			
-63	AN530-8-8								SCREW	2		
-64	1114189A-8-8								SCREW	2		
-65	AN515-8-20								SCREW	1		
-66	AN960D8								WASHER	4		
-67	AN365-632								NUT	1		
-68	2195189								BUS BAR	1		
									(ATTACHING PARTS)			
-69	AN515-8-12								SCREW	1		
	AN935-SL								WASHER	1		
	AN365-1032								NUT	1		
-70	AN3160-10								CIRCUIT BREAKER	1		
-71	AN3160-20								CIRCUIT BREAKER	1		
-72	AN3160-5								CIRCUIT BREAKER	1		
-73	AN3160-5								CIRCUIT BREAKER	3		
									(ATTACHING PARTS)			
	AN515-6-7								SCREW	2		
-74	2195158								BRACKET ASSY, Sighting alarm bell	1		
									(ATTACHING PARTS)			
-75	AN530-8-8								SCREW	4		
	A1778-821								NUT (TIN)	4		
-76	No Number								BELL, Alarm (US Army Spec 50291-A)	1		
									(ATTACHING PARTS)			
-77	AN530-8-8								SCREW	3		
		A USAF	41-3900	thru	41-3599				B USAF	44-34098	thru	44-35197
			43-22252	thru	43-22751					44-35656	thru	44-35966
			44-35198	thru	44-35655							
		C USAF	41-39100	thru	41-39139				D USAF	41-39250	thru	41-39599
										44-34098	thru	44-35197
		E USAF	41-39140	thru	41-39599				F USAF	41-39100	thru	41-39159
			43-22302	thru	43-22751					43-22252	thru	43-22453
			44-35198	thru	44-35655					43-22467	thru	43-22564
		G USAF	41-39180	thru	41-39299				H USAF	41-39300	thru	41-39599
										43-22454	thru	43-22466
										43-22565	thru	43-22751
										44-34098	thru	44-35966
		J USAF	41-39140	thru	41-39159				K USAF	41-39140	thru	41-39249
		L USAF	43-22252	thru	43-22751				M USAF	43-22252	thru	43-22453
			44-35198	thru	44-35966					43-22467	thru	43-22564
		N USAF	41-39100	thru	41-39599				P USAF	44-34098	thru	44-35966
			43-22252	thru	43-22751							

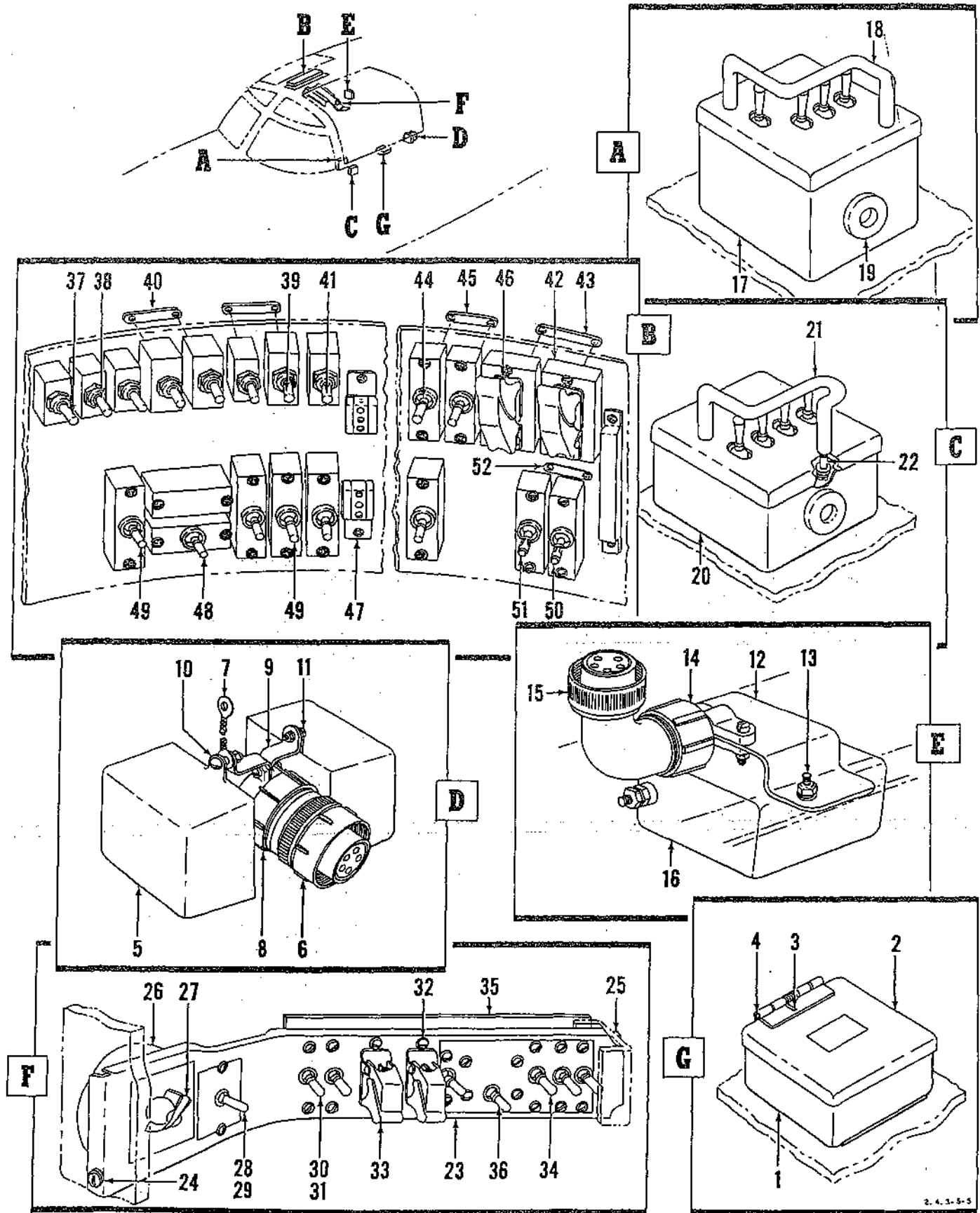


Figure 118. Electrical System Details

FIGURE & INDEX NO.	PART NO.	1	2	3	4	5	6	7	DESCRIPTION	UNITS PER ASSY	USABLE ON CODE	
118-		ELECTRICAL SYSTEM DETAILS										
	4195322								BOX ASSY, Fuselage spare lamp (see figure 115)	Ref	A-C	
-1	4195322-8								BOX, Fuselage spare lamp	1	A-C	
-2	2195139								COVER	1		
-3	133509-4								SPRING	4	A-C	
-4	121873-091-30								PIN	1	A-C	
	2207273								BRACKET ASSY, Fuel booster pump capacitor (see figure 115)	Ref	F	
-5	CA275X								CAPACITOR (MAL)	2	F	
-6	AN3106-16S45								PLUG	1	F	
-7	AQ4Q								JUMPER ASSY (TOM)	1	F	
-8	AN3057-8								ADAPTER	1	F	
-9	2207272								BRACKET, Fuel booster pump capacitor (ATTACHING PARTS)	2	F	
-10	AN515-8-8								SCREW	2	F	
	NA843DD2-12								SPACER (formerly 117425-2D006)	2	F	
	AN960-8								WASHER	2	F	
	AN365-832								NUT	2	F	
	AN515-8-10								SCREW	2	F	
-11	AN960-8								WASHER	4	F	
	AN365-832								NUT	2	F	
	2207927								BRACKET ASSY, Deicer distribution valve capacitor (see figure 115)	Ref	G	
-12	2207926								BRACKET, Deicer distribution valve capacitor (ATTACHING PARTS)	1	G	
-13	AN515-8-8								SCREW	2	G	
	AN960-8								WASHER	4	G	
	AN365-832								NUT	2	G	
-14	AN3057-4								ADAPTER	1	C	
-15	AN3108-12-5S								PLUG	1	C	
-16	B120								FILTER			
	2156936								CONTROL ASSY, Pilot operated recognition light (see figure 115)	Ref	D	
-17	2156936-2								BOX ASSY, Pilot operated recognition light (reworked 42D5051)	1	D	
-18	1192341								GUARD, Recognition lamp control switch	1	D	
-19	AN931-7-11								GROMMET	1	D	
	2207256								CONTROL ASSY, Pilot operated recognition light (see figure 115)	Ref	E	
-20	2207256-2								BOX ASSY, Pilot operated recognition light (reworked 42D5051)	1	E	
-21	2207257								GUARD (ATTACHING PARTS)	1	E	
-22	AN515-6-8								SCREW	2	E	
	AN960-6L								WASHER	2	E	
	AN935-6								WASHER	2	E	
-23	5195431								PANEL INSTL, Pilot overhead (see figure 115)	Ref	B,C	
	5195432								PANEL ASSY, Pilot overhead control (ATTACHING PARTS)	1	B,C	
-24	AN530-6-8								SCREW	1	B,C	
	AN960-6								WASHER	1	B,C	
	A1784-6Z051								NUT (TIN)	1	B,C	
-25	AN530-10-10								SCREW	2	B,C	
	A1794M1								NUT (TIN)	2	B,C	
-26	5195433								PANEL, Pilot overhead control	1	B,C	
	No Number								RHEOSTAT, Type 0-1C US Army Spec 94-32229D)	1	B,C	
-27	5116								KNOB, Rheostat (Ond)	1	B,C	
-28	AN3023-1								SWITCH (ATTACHING PARTS)	1	B,C	
	AN530-6-7								SCREW	2	B,C	
	AN960-6								WASHER	2	B,C	
	A1081M1								NUT (TIN)	2	B,C	
-29	1154372-4								BUS BAR	1	B,C	
-30	AN3022-2								SWITCH (ATTACHING PARTS)	2	B,C	
	AN530-6-7								SCREW	2	B,C	
	AN960-6								WASHER	2	B,C	
	A1801M1								NUT	2	B,C	
-31	124360-875-2								BUS BAR	1	B,C	
-32	AN3023-2								SWITCH (ATTACHING PARTS)	2	B,C	
	AN530-6-7								SCREW	2	B,C	
	AN960-6								WASHER	2	B,C	
	A1801M1								NUT	2	B,C	
-33	AN3028-2								GUARD	2	B,C	
-34	AN3022-6								SWITCH (ATTACHING PARTS)	4	B,C	
	AN530-6-7								SCREW	2	B,C	
	AN960-6								WASHER	2	B,C	
	A1801M1								NUT	2	B,C	

Section II
Group Assembly Parts List

T.O. 1B-26B-4

FIGURE & INDEX NO.	PART NO.	DESCRIPTION							UNITS PER ASSY	USABLE ON CODE	
		1	2	3	4	5	6	7			
118-35 -36	1203776								1	B,C	
	AN3022-7								1	B,C	
	AN530-6-7								2	B,C	
	AN960-6								2	B,C	
	1801M1								2	B,C	
	5207964	SWITCH PANEL INSTL, Pilot overhead electrical (see figure 115)							Ref	A	
-37	AN3021-9								1	A	
-38	AN3021-8								1	A	
-39	AN3027-2								3	A	
-40	1093745-1125-2								1	A	
-41	AN3027-1								1	A	
-42	AN3023-2								2	A	
	AN515-6-8								2	A	
	AN960-6								2	A	
-43	124360-875-2								1	A	
-44	AN3022-2								3	A	
	AN530-6R8								2	A	
	AN960-6								2	A	
	A1801-6Z1								2	A	
-45	124360-875-2								1	A	
-46	AN3028-2								1	A	
	AN515-6R7								1	A	
	AN960-6								1	A	
	AN365-632								1	A	
-47	A3125-2								1	A	
	AN515-6R7								2	A	
	AN960-6								2	A	
	AN365-632								2	A	
-48	AN3022-7								1	A	
	AN530-6R7								2	A	
	AN960-6								2	A	
	A1801-6Z1								2	A	
-49	1154372-2								1	A	
	AN3022-8								4	A	
	AN530-6R7								2	A	
	AN960-6								2	A	
	A1801-6Z1								2	A	
-50	AN3022-1								2	A	
	AN515-6-8								2	A	
	AN960-6								2	A	
-51	24-1164-2								2	A	
-52	124360-937-2								1	A	
		A	USAF	44-34098	thru:	44-35197	B	USAF	41-39100	thru	41-39599
				44-35656	thru:	44-35966			43-22252	thru	43-22301
		C	USAF	41-39140	thru:	41-39599	D	USAF	41-39100	thru	41-39199
				43-22302	thru:	43-22751					
				44-35198	thru:	44-35655	F	USAF	41-39170	thru	41-39599
		E	USAF	41-39200	thru:	41-39299	G	USAF	41-39250	thru	41-39599
				43-22252	thru:	43-22387					
				43-22457	thru:	43-22486					

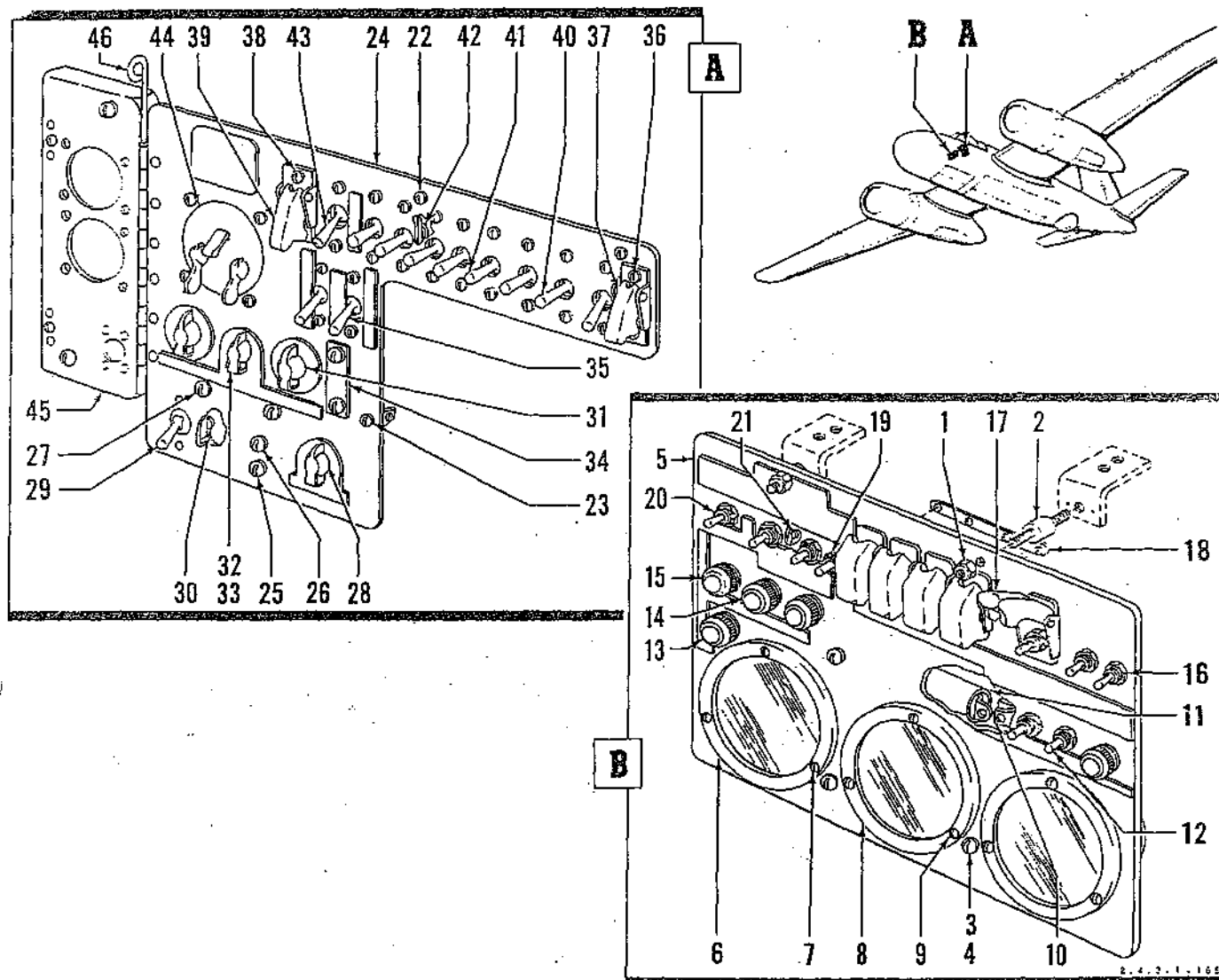


Figure 119. Pilot's Electrical and Auxiliary Control Panel Installation

FIGURE & INDEX NO.	PART NO.	1 2 3 4 5 6 7	DESCRIPTION	UNITS PER ASSY	USABLE ON CODE
119-	5195529		PANEL INSTL, Pilot's electrical and auxiliary control (see figure 115).....	Ref	A
	5195528		PANEL ASSY, Pilot's auxiliary electrical control.....	1	A
-1	AN365-832		NUT.....	4	A
-2	C321		SHOCKMOUNT (USR).....	4	A
-3	AN530-10-8		SCREW.....	2	A
-4	A1350-10Z		NUT (TIN).....	2	A
-5	5195525		PANEL, Pilot's auxiliary electrical control.....	1	A
-6			AMMETER, Type E-1 (less shunt) (GFP) (US Army Spec 94-32173-B) (ATTACHING PARTS).....	2	A
-7	AN515-4-6		SCREW.....	3	A
	AN960-4		WASHER.....	3	A
	AN935-4L		WASHER.....	3	A
	AN340-4		NUT.....	3	A
-8			VOLTMETER, Type B-1 (GFP) (US Army Spec 94-32259-C) (ATTACHING PARTS).....	1	A
-9	AN515-4-6		SCREW.....	3	A
	AN960-4		WASHER.....	3	A
	AN935-4L		WASHER.....	3	A

Section II

T.O. 1B-26B-4

Group Assembly Parts List

FIGURE & INDEX NO.	PART NO.	1	2	3	4	5	6	7	DESCRIPTION	UNITS PER ASSY	USABLE ON CODE
119-	AN340-4								NUT	3	A
-10									BRACKET, Mounting type Z (IRC)	1	A
-11	ET								RESISTOR, 15 ohm 35 watt, type 3 terminal (IRC) (ATTACHING PARTS)	1	A
	AN530-6-8								SCREW	2	A
	AN960-8								WASHER	2	A
	A1110-6Z								NUT (TIN)	2	A
-12	AN3021-1								SWITCH	2	A
-13	42B3593A-1								LAMP ASSY, Indicator red (GFP)	1	A
-14	42B3593A-2								LAMP ASSY, Indicator green (GFP)	3	A
-15	42B3593A-3								LAMP ASSY, Indicator amber (GFP)	1	A
-16	AN3021-2								SWITCH	7	A
-17	AN3028-1								GUARD	5	A
-18	NAS44-191P4								BUS BAR (formerly 1152349-4)	1	A
-19	AN3021-3								SWITCH	1	A
-20	AN3027-1								SWITCH	3	A
-21	1143395 5195527								BUS BAR PANEL ASSY, Pilot main electrical control (ATTACHING PARTS)	1 1	A A
-22	AN515-8-24 NAS43DD3-220 AN960D8 1155690								SCREW SPACER (formerly 117425-30-110) WASHER CLIP	2 2 2 1	A A A A
-23	AN315-8-8 AN530-8-8 AN960D8 AN365-832								SCREW SCREW WASHER NUT	1 1 2 1	A A A A
-24	5195526								PANEL, Pilot main electrical control	1	A
-25	0366								RESISTOR, 50 ohm (OM) (ATTACHING PARTS)	1	A
	AN515-8-40 124682-2F10-040 AN960-8 AN365-832								SCREW WASHER WASHER NUT	1 2 2 1	A A A A
-26	3064								RESISTOR, 15 ohm (OM)	1	A
	AN515-8-4 214682-2F10-040 AN960-8 AN365-832								SCREW WASHER WASHER NUT	1 2 2 1	A A A A
-27	MW2								RESISTOR, 125 ohm 3 watt (IRC)	1	A
-28									RHEOSTAT, Type 0-3A	1	A
-29	AN3023-8								SWITCH (ATTACHING PARTS)	1	A
	AN530-6-8 AN960-6								SCREW WASHER	2 2	A A
-30	124360-688-2								BUS BAR	1	A
-31									RHEOSTAT, Type C-5 (furnished with type C-5 lamp assy) (GFP)	2	A
-32	0151								RHEOSTAT, Type 352 (OM)	1	A
-33	5116								KNOB (OM)	1	A
-34	1194971								PLATE, Electrical cover	1	A
-35	AN3022-2								SWITCH (ATTACHING PARTS)	2	A
	AN515-8-7 AN960-8								SCREW WASHER	2 2	A A
-36	AN3022-2B								SWITCH (CH 82D1K4) (ATTACHING PARTS)	1	A
	AN503-6-8 AN365-632								SCREW NUT	2 2	A A
-37	80312X4								GUARD (CH)	1	A
-38	AN3022-2								SWITCH (ATTACHING PARTS)	2	A
	AN503-6-8 AN960-6 A6206-6Z3								SCREW WASHER NUT (TIN)	2 2 2	A A A
-39	AN3028-3								GUARD (formerly CH49-1229-2)	2	A
-40	8905K514								SWITCH (CH) (ATTACHING PARTS)	2	A
	AN530-6-8 AN960-6 A6206-6Z3								SCREW WASHER NUT (TIN)	2 2 2	A A A
-41	AN3022-1								SWITCH (ATTACHING PARTS)	5	A
	AN530-6-8 AN960-6 A6206-6Z3								SCREW WASHER NUT (TIN)	2 2 2	A A A

FIGURE & INDEX NO.	PART NO.	DESCRIPTION							UNITS PER ASSY	USABLE ON CODE
		1	2	3	4	5	6	7		
119-42 -43	1154372-2								1	A
	AN3023-2								1	A
-44	AN530-6-8								2	A
	AN960-6								2	A
	A6206-623								2	A
									1	A
									4	A
									4	A
									4	A
-45	5191972								1	A
	AN515-8-10								2	A
	AN960-8								2	A
	AN935-8								1	A
									1	A
-46									1	A
									1	A
									1	A
									1	A

A USAF 41-39100 thru 41-39139
43-22252 thru 43-22301

Section II
Group Assembly Parts List

T.O. 1B-26B-4
FUSELAGE

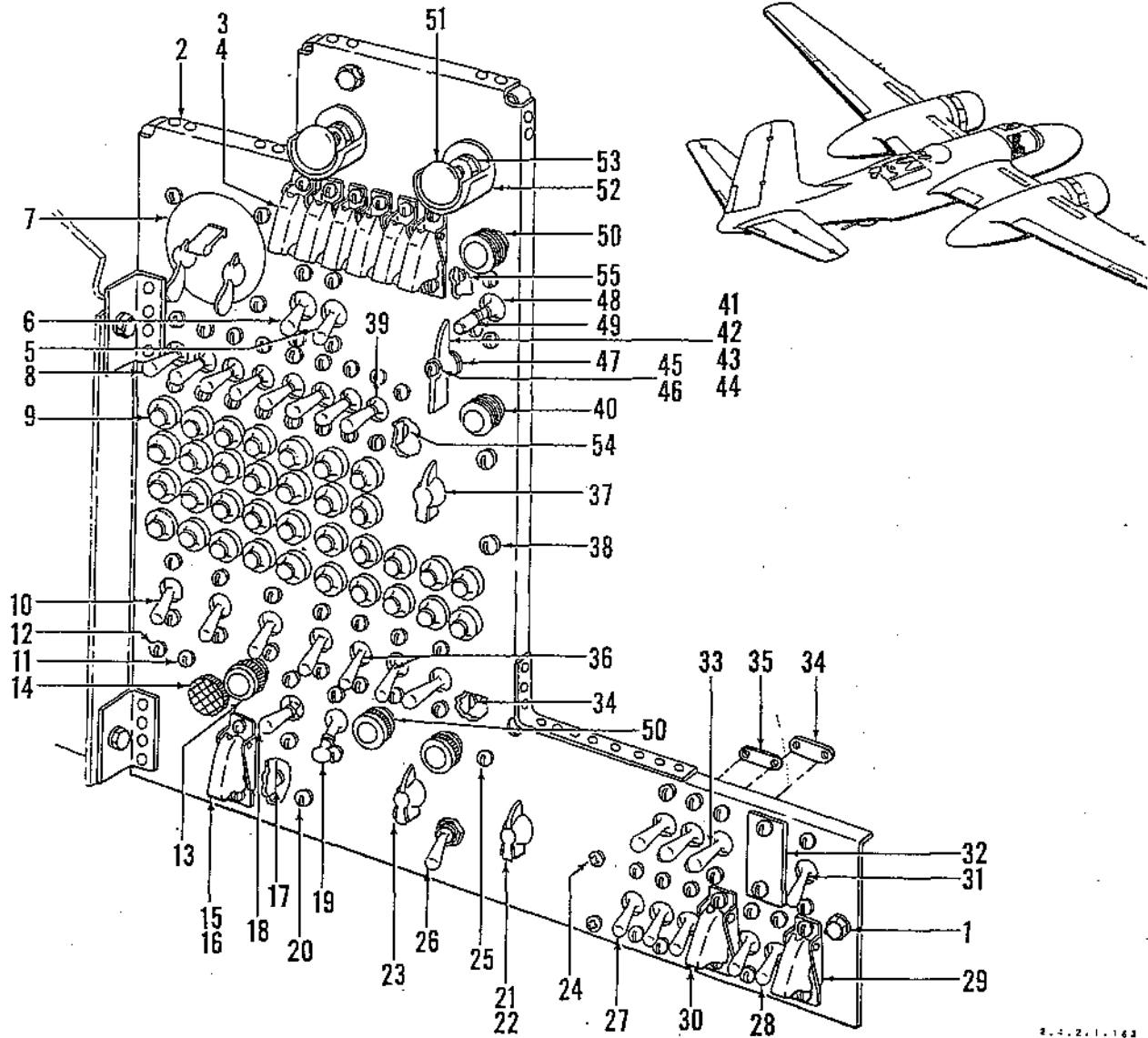


Figure 120. Pilot's Main Electrical Panel Installation

FIGURE & INDEX NO.	PART NO.	1 2 3 4 5 6 7	DESCRIPTION	UNITS PER ASSY	USABLE ON CODE
120-	5204982 5204994		PANEL INSTL, Pilot's main electrical (see figures 115 and 121)	Ref	A
			PANEL ASSY, Pilot's main electrical complete	1	A
-1	AN4-5A		BOLT	4	A
-2	5204894-2 5204934		PANEL ASSY, Pilot's main electrical	1	A
-3	AN3022-8		PANEL ASSY, Pilot's main electrical marked	1	A
			SWITCH	6	A
			(ATTACHING PARTS)		
	AN530-6-8		SCREW	2	A
	AN960-6		WASHER	2	A
-4	AN3028-2		GUARD	6	A
-5	AN3022-2		SWITCH	1	A
			(ATTACHING PARTS)		
	AN515-6-8		SCREW	2	A
	AN960-6		WASHER	2	A
-6	AN3022-3		SWITCH	1	A
	AN515-6-8		(ATTACHING PARTS)		
			SCREW	2	A

FIGURE & INDEX NO.	PART NO.	DESCRIPTION							UNITS PER ASSY	USABLE ON CODE
		1	2	3	4	5	6	7		
120-	AN960-6							WASHER	2	A
-7	10-18562-3							SWITCH, Ignition type B5A (SCN) (ATTACHING PARTS)	1	
	AN515-8-10							SCREW	4	A
	AN960-6							WASHER	4	A
	AN935-8L							WASHER	4	A
-8	AN3022-1							SWITCH (ATTACHING PARTS)	7	A
	AN515-6-6							SCREW	2	A
	AN960-6							WASHER	2	A
-9	40A7419-1							SOCKET ASSY, Signal lamp	34	A
	319A							LAMP, Amber plastic cap T1-1/4 bulb (GE)	34	A
-10	AN3023-2							SWITCH (ATTACHING PARTS)	4	A
	AN515-6-8							SCREW	2	A
	AN960-6							WASHER	2	A
-11	0364							RESISTOR, 15 ohm (OM) (ATTACHING PARTS)	1	A
	AN515-8-40							SCREW	1	A
	124682-2F10- 040							WASHER	2	A
	AN960-6							WASHER	2	A
	AN365-832							NUT	1	A
-12	0200C							RESISTOR, 25 ohm 25 watt (OM) (ATTACHING PARTS)	1	A
	AN515-8-40							SCREW	1	A
	124682-2F10- 040							WASHER	2	A
	AN960-6							WASHER	2	A
	AN365-832							NUT	1	A
-13	42B3593-2							LAMP ASSY, Indicator amber (GFP)	2	A
	AN3121-313							LAMP	2	A
-14	44A18454-9							LAMP ASSY, Indicator	1	A
	AN3121-313							LAMP	1	A
-15	AN3023-2							SWITCH (ATTACHING PARTS)	1	A
	AN515-6-8							SCREW	1	A
	AN960-6							WASHER	2	A
-16	AN3028-2							GUARD	1	A
-17	NAS44-191P2							BUS BAR (formerly 1152349-2)	1	A
-18	AN3023-1							SWITCH (ATTACHING PARTS)	2	A
	AN515-6-8							SCREW	2	A
	AN960-6							WASHER	2	A
-19	AN3160-20							SWITCH (ATTACHING PARTS)	1	A
	AN515-6-8							SCREW	2	A
	AN960-6							WASHER	2	A
-20	ET							RESISTOR, 15 ohm 35 watt type 3 terminal (IRC) (ATTACHING PARTS)	1	A
	AN23-46A							BOLT	1	A
	124682-3F12- 091							WASHER	3	A
	AN365-1032							NUT	1	A
-21	0151							RHEOSTAT Type 352 (OM)	1	A
-22	5116							KNOB (OM)	1	A
-23	No Number							RHEOSTAT, Type 0-3A (US Army Spec 94-32172-B)	1	A
-24	1194971							COVER (ATTACHING PARTS)	1	A
	AN530-6R8							SCREW	2	A
	A1186-6Z1							NUT (FIN)	2	A
-25	No Number							RESISTOR, 125 ohm 10 watt lug 40 (OM) (ATTACHING PARTS)	1	A
	AN515-8-40							SCREW	1	A
	124682-2F10- 040							WASHER	2	A
	AN960-6							WASHER	2	A
	AN365-832							NUT	1	A
-26	AN3027-3							SWITCH	1	A
-27	AN3022-2							SWITCH (ATTACHING PARTS)	1	A
	AN515-6-8							SCREW	2	A
	AN960-6							WASHER	2	A
-28	AN3022-2							SWITCH (ATTACHING PARTS)	6	A
	AN515-6-8							SCREW	2	A
	AN960-6							WASHER	2	A
-29	AN3028-2							GUARD	1	A

Section II

T.O. 1B-26B-4

Group Assembly Parts List

FIGURE & INDEX NO.	PART NO.	DESCRIPTION							UNITS PER ASSY	USABLE ON CODE		
		1	2	3	4	5	6	7				
120-30	80312X4									1	A	
-31	AN3022-2									1	A	
	AN515-6-8									2	A	
	AN960-6									2	A	
-32	1165814-2									1	A	
	AN515-6-8									2	A	
	AN960-6									2	A	
	AN365-632									2	A	
-33	AN3022-1									3	A	
	AN515-6-8									2	A	
	AN960-6									2	A	
-34	1154372-4									2	A	
-35	1143395									1	A	
-36	AN3022-2									2	A	
	AN515-6-8									2	A	
	AN960-6									2	A	
-37	B1T20									1	A	
	AN507-632R8									2	A	
-38	MW2									1	A	
	AN530-6-8									2	A	
	AN960-6									2	A	
	A6206-6Z3									2	A	
-39	AN3022-8									1	A	
	AN515-6-8									2	A	
	AN960-6									2	A	
-40	42B3593-3									1	A	
	AN3121-313									1	A	
-41	9024									1	A	
	AN520-10-48									2	A	
	1204843									2	A	
	AN960-10									2	A	
	AN365-1032									2	A	
-42	9026									1	A	
-43	2205407									1	A	
-44	NAS51-31									2	A	
-45	AN515-6-10									1	A	
-46	AN960-6									1	A	
-47	AN935-6L									1	A	
-48	AN3027-1									1	A	
	AN515-6-8									2	A	
	AN960-6									2	A	
-49	24-1164									1	A	
-50	42B3593-1									1	A	
	AN3121-313									1	A	
-51	54267									2	A	
-52	2208166									2	A	
-53	AN935-10L									2	A	
-54	2206613									1	A	
	AN515-8-10									1	A	
	AN960-8									2	A	
	AN365-832									1	A	
-55	2206612									1	A	
		A USAF #1-39140 thru 41-39424										
		#3-22302 thru 43-22453										
		#43-22467 thru 43-22564										

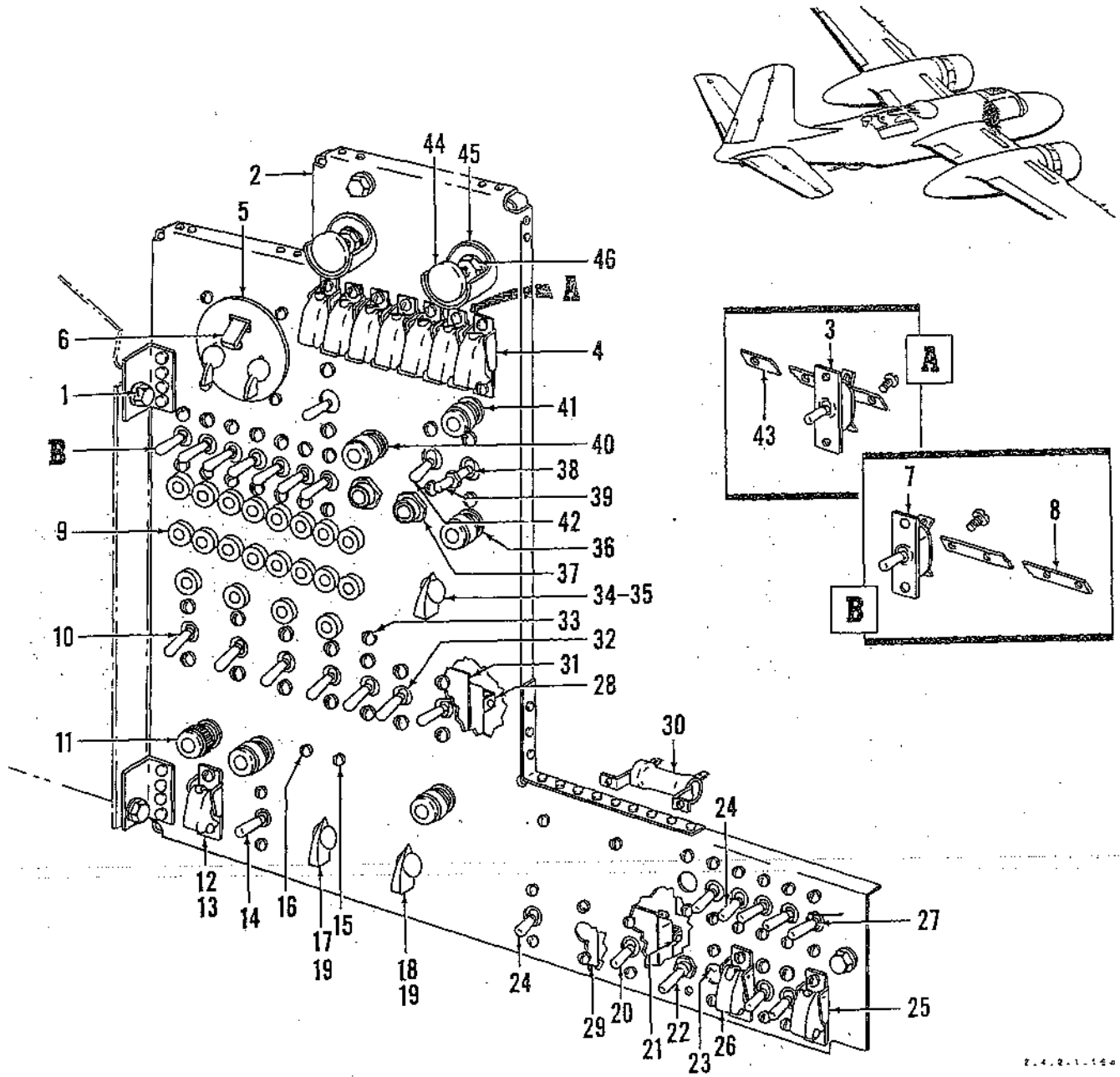


Figure 121. Pilot's Main Electrical Panel Installation

2.4.2.1-140

Section II

T.O. 1B-26B-4

Group Assembly Parts List

FIGURE & INDEX NO.	PART NO.	1 2 3 4 5 6 7	DESCRIPTION	UNITS PER ASSY	USABLE ON CODE
121-	5204982		PANEL INSTL, Pilot's main electrical (see figures 115 and 120)	Ref	A
	5208137		PANEL ASSY, Pilot's main electrical complete	1	A
			(ATTACHING PARTS)		
-1	AN4-5A		BOLT	4	A
			-----*		
	5208137-2		PANEL ASSY, Pilot's main electrical	1	A
-2	5208488		PANEL ASSY, Pilot's main electrical marked	1	A
-3	AN3022-2		SWITCH	7	A
			(ATTACHING PARTS)		
	AN530-6-8		SCREW	2	A
	AN960-6		WASHER	2	A
			-----*		
-4	AN3028-2		GUARD	7	A
-5	4208237		BOX ASSY, Ignition switch junction	1	A
-6	10-18562-3		SWITCH, Ignition type B5A (SCN)	1	A
			(ATTACHING PARTS)		
	AN515-8-10		SCREW	4	A
	AN960-8		WASHER	2	A
	AN935-8L		WASHER	2	A
			-----*		
-7	AN3022-1		SWITCH	7	A
			(ATTACHING PARTS)		
	AN515-6-6		SCREW	2	A
	AN960-6		WASHER	2	A
			-----*		
-8	2206613		BUS BAR	1	A
-9	40A7419-1		SOCKET ASSY, Signal lamp	20	A
	319A		LAMP, Amber plastic cap T1 1/4 bulb (GE)	20	A
-10	AN3023-2		SWITCH	5	A
			(ATTACHING PARTS)		
	AN515-6-8		SCREW	2	A
	AN960-6		WASHER	2	A
			-----*		
-11	42B3593-2		LAMP ASSY, Indicator amber	2	A
	AN3121-313		LAMP	2	A
-12	AN3023-2		SWITCH	1	A
			(ATTACHING PARTS)		
	AN515-6-8		SCREW	2	A
	AN960-6		WASHER	2	A
			-----*		
-13	AN3028-2		GUARD	1	A
-14	AN3023-1		SWITCH	1	A
			(ATTACHING PARTS)		
	AN515-6-8		SCREW	2	A
	AN960-6		WASHER	2	A
			-----*		
-15	0200R		RESISTOR, 15 ohm 25 watt (OM)	1	A
-16	0200C		RESISTOR, 25 ohm 25 watt (OM)	1	A
			(ATTACHING PARTS)		
	AN515-8-40		SCREW	2	A
	124682-2F10-040		WASHER	4	A
	AN960-8		WASHER	8	A
	AN365-832		NUT	2	A
			-----*		
-17	No Number		RHEOSTAT, Type 0-3A	1	A
-18	0151		RHEOSTAT, Type 352 (OM)	1	A
-19	S116		KNOB (OM)	2	A
-20	AN3023-3		SWITCH	1	A
-21	1154372-4		BUS BAR	1	A
-22	AN3027-2		SWITCH	1	A
-23	1194971		COVER	1	A
			(ATTACHING PARTS)		
	AN530-6-8		SCREW	2	A
	A1181-6Z1		NUT (TIN)	2	A
			-----*		
-24	AN3022-2		SWITCH	9	A
			(ATTACHING PARTS)		
	AN515-6-8		SCREW	17	A
	AN960-6		WASHER	17	A
	AN500A6-8		SCREW	1	A
	AN960-6		WASHER	1	A
			-----*		
-25	AN3028-2		GUARD	1	A
-26	80312X4		GUARD (CUT)	1	A
-27	AN3022-1		SWITCH	1	A
			(ATTACHING PARTS)		
	AN515-6-8		SCREW	2	A
	AN960-6		WASHER	2	A
			-----*		
-28	1154372-4		BUS BAR	2	A
-29	1194971		PLATE	2	A
			(ATTACHING PARTS)		
	AN530-6-8		SCREW	2	A
	A1181-6Z1		NUT (TIN)	2	A
			-----*		
-30	MW2		RESISTOR, 125 ohm 3 watt (IRC)	1	A

FIGURE & INDEX NO.	PART NO.	1	2	3	4	5	6	7	DESCRIPTION	UNITS PER ASSY	USABLE ON CODE
									(ATTACHING PARTS)		
121-	AN530-6-8								SCREW	2	A
	AN960-6								WASHER	2	A
	A6206-6Z3								NUT (TIN)	2	A
									---*		
-31	AN3023-1								SWITCH	1	A
									(ATTACHING PARTS)		
	AN515-6-8								SCREW	2	A
	AN960-6								WASHER	2	A
									---*		
-32	AN3022-2								SWITCH	1	A
									(ATTACHING PARTS)		
	AN515-6-8								SCREW	2	A
	AN960-6								WASHER	2	A
									---*		
-33	ET								RESISTOR, 15 ohm 35 watt type 3 terminal (IRC)	1	A
									(ATTACHING PARTS)		
	AN23-56A								BOLT	1	A
	124682-3F12-091								WASHER	2	A
	AN365-1032								NUT	1	A
									---*		
-34	BIT20								SWITCH (MAL)	1	A
									(ATTACHING PARTS)		
	AN507-632R8								SCREW (formerly 1087510-6-8)	2	A
									---*		
-35	5116								KNOB (MAL)	1	A
-36	42B3593-3								LAMP ASSY, Indicator green	1	A
	AN3121-313								LAMP	1	A
	44A18454-6								LAMP ASSY	2	A
-37	AN3121-313								LAMP	2	A
	AN3023-1								SWITCH	1	A
-38									(ATTACHING PARTS)		
	AN515-6-8								SCREW	2	A
	AN960-6								WASHER	2	A
									---*		
-39	24-1164								EXTENSION, Luminous lever (CUT)	1	A
-40	42B3593-2								LAMP ASSY, Indicator amber	1	A
	AN3121-313								LAMP	1	A
-41	42B3593-1								LAMP ASSY, Indicator red	1	A
	AN3121-313								LAMP	1	A
-42	AN3160-20								SWITCH	1	A
									(ATTACHING PARTS)		
	AN515-6-8								SCREW	2	A
	AN960-6								WASHER	2	A
									---*		
-43	2206612								BUS BAR	1	A
-44	54267								SWITCH, Propeller feathering (HS)	2	A
-45	2208166								GUARD	2	A
-46	AN935-10L								WASHER	2	A

A USAF 41-39425 thru 41-39599
 43-22454 thru 43-22466
 43-22565 thru 43-22751

Section II
Group Assembly Parts List

T.O. 1B-26B-4
FUSELAGE

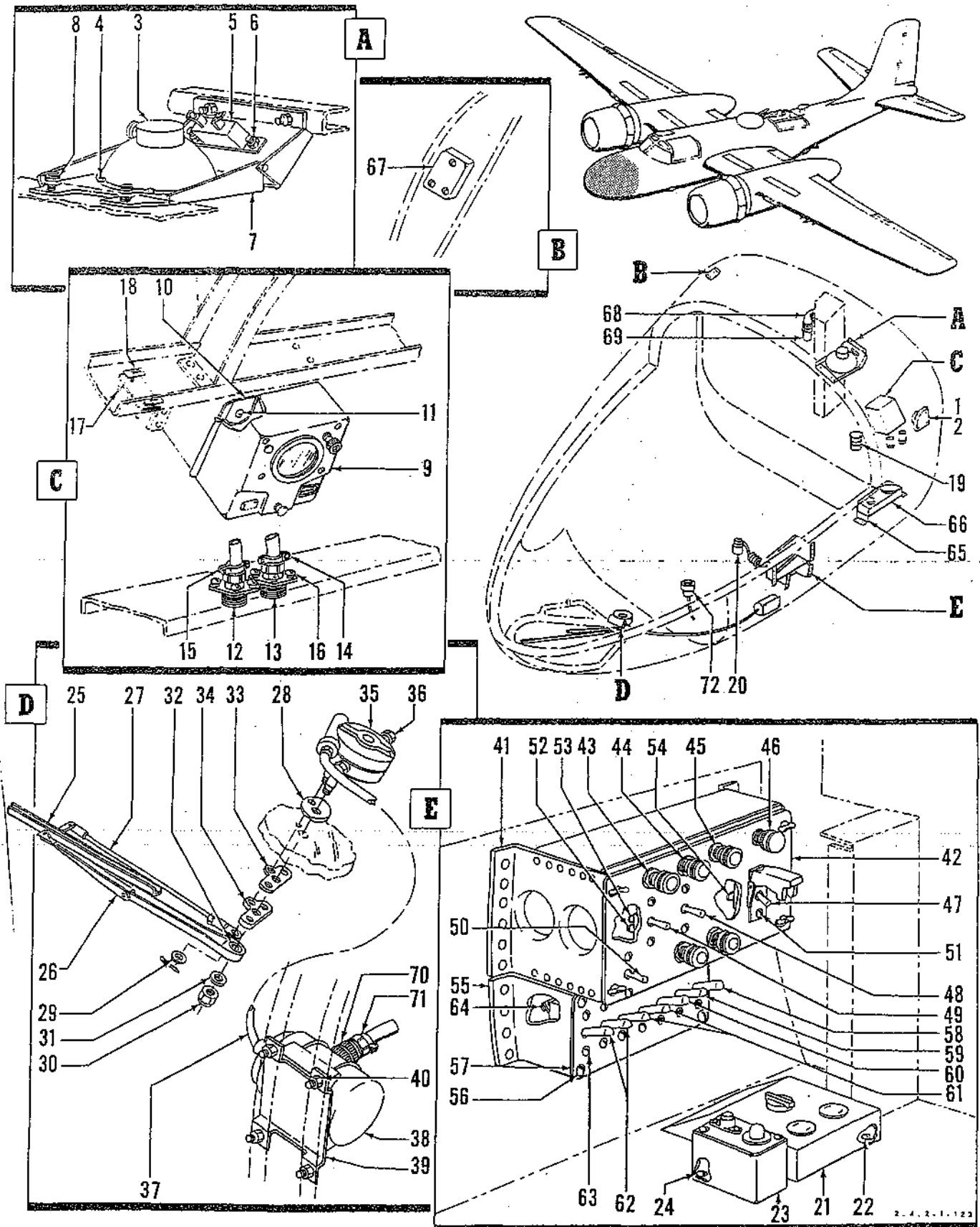


Figure 122. Bombardier Nose Electrical Installation

FIGURE & INDEX NO.	PART NO.	DESCRIPTION							UNITS PER ASSY	USABLE ON CODE
		1	2	3	4	5	6	7		
122-	5202404	ELECTRICAL INSTL, Bombardier nose (see figure 49)							Ref	A
	5204976	BELL INSTL, Bombardier alarm							1	A
-1	MD1577-24	BELL, Alarm 24 volt (EDW)							1	A
		(ATTACHING PARTS)								
-2	AN530-6-8	SCREW							3	A
		- - - * - - -								
	5204941	LIGHT INSTL, Bombardier dome							1	A
-3	AN3124SB307	LAMP							1	A
		(ATTACHING PARTS)								
-4	PK79XZ6-6	SCREW (formerly 1114189Z6-6)							6	A
		- - - * - - -								
-5	AN3022-2	SWITCH							1	A
		(ATTACHING PARTS)								
-6	AN515-6-6	SCREW							2	A
	AN960D6	WASHER							2	A
		- - - * - - -								
-7	4204940	SUPPORT ASSY, Bombardier dome light							1	A
		(ATTACHING PARTS)								
-8	AN516-8-7	SCREW							4	A
	AN365-832	NUT							4	A
		- - - * - - -								
	5205018	INTERVALOMETER INSTL, Bombardier remote camera							1	A
-9	H39G6031	INTERVALOMETER, Camera type B-3B (GFP)							1	A
-10	42A3524	PLATE, Mounting wedge							1	A
-11	AN530-10-8	SCREW							4	A
	A1779-10Z1	NUT (TIN)							1	A
-12	AN3100-16S6S	CONNECTORS							1	A
-13	AN3100-14S9S	CONNECTORS							1	A
-14	AN3057-8	ADAPTER							1	A
-15	AN3057-6	ADAPTER							1	A
		(ATTACHING PARTS)								
-16	AN515-4-7	SCREW							4	A
	AN365-440	NUT							4	A
		- - - * - - -								
-17	NAS191-2	STRIP ASSY (formerly 202648-2A)							1	A
		(ATTACHING PARTS)								
-18	AN530-4-6	SCREW							2	A
	A1776-4Z1	NUT (TIN)							2	A
		- - - * - - -								
-19	No Number	LIGHT, Cockpit type C-4A (Spec MIL-L-6484)							1	A
-20	X244	LAMP ASSY, Filor type C-8 (A867 terminal board furnished with lamp) (GLD)							1	A
	5204491	RHEOSTAT INSTL, Bombardier intercall box and suit heat							1	A
-21	No Number	RHEOSTAT, Type Q-1A (Spec MIL-R-6274)							1	A
		(ATTACHING PARTS)								
-22	AN530-8-8	SCREW							4	A
	A6195-8Z3	NUT (TIN)							4	A
		- - - * - - -								
-23	43A12392	SIGNAL ASSY, Intercall							1	A
		(ATTACHING PARTS)								
-24	AN530-8-12	SCREW							2	A
	A6195-8Z3	NUT (TIN)							2	A
		- - - * - - -								
	5205209	WIPER INSTL, Bombardier electric windshield							1	A
	K14955E	WIPER ASSY, Window electric model 35V2E1 (MQ)							1	A
-25	B15673	BLADE AND HOLDER ASSY (MQ)							1	A
-26	D15295	DRIVE ARM (MQ)							1	A
-27	B14718	TIE ROD ASSY (MQ)							1	A
-28	A15760	SPACER (MQ)							1	A
-29	AN960D6	WASHER							1	A
-30	AN365-1032	NUT							1	A
-31	AN960C10L	WASHER							1	A
-32	B16010	SEAL (MQ)							1	A
-33	A15518	GASKET (MQ)							1	A
-34	A15761	PLATE ASSY, Mounting (MQ)							1	A
-35	D15485-5	WINDOW UNIT, Converter (MQ)							1	A
-36	A15599	CAP (MQ)							1	A
-37	A14765	DRIVE ASSY, Flexible (MQ)							1	A
-38	D12364	ELECTRIC MOTOR, 1/8 HP 24 volt (MQ)							1	A
-39	4204676	BRACKET ASSY, Bombardier windshield wiper motor							1	A
		(ATTACHING PARTS)								
-40	AN507-1032R12	SCREW (formerly 1087510-10-12)							4	A
	AN365-1032	NUT							4	A
		- - - * - - -								
	5204489	PANEL INSTL, Bombardier electrical equipment							1	A
-41	5204488	SUPPORT ASSY, Bombardier electrical panel							1	A
	3206815	PANEL ASSY, Bombardier electrical equipment							1	A
-42	3206816	PANEL							1	A
-43	42B3593A2	LIGHT ASSY, Indicator amber (GFP)							1	A
	AN3121-313	LAMP (GFP)							1	A
-44	42B3593A1	LIGHT ASSY, Indicator red (GFP)							1	A
	AN3121-313	LAMP (GFP)							1	A

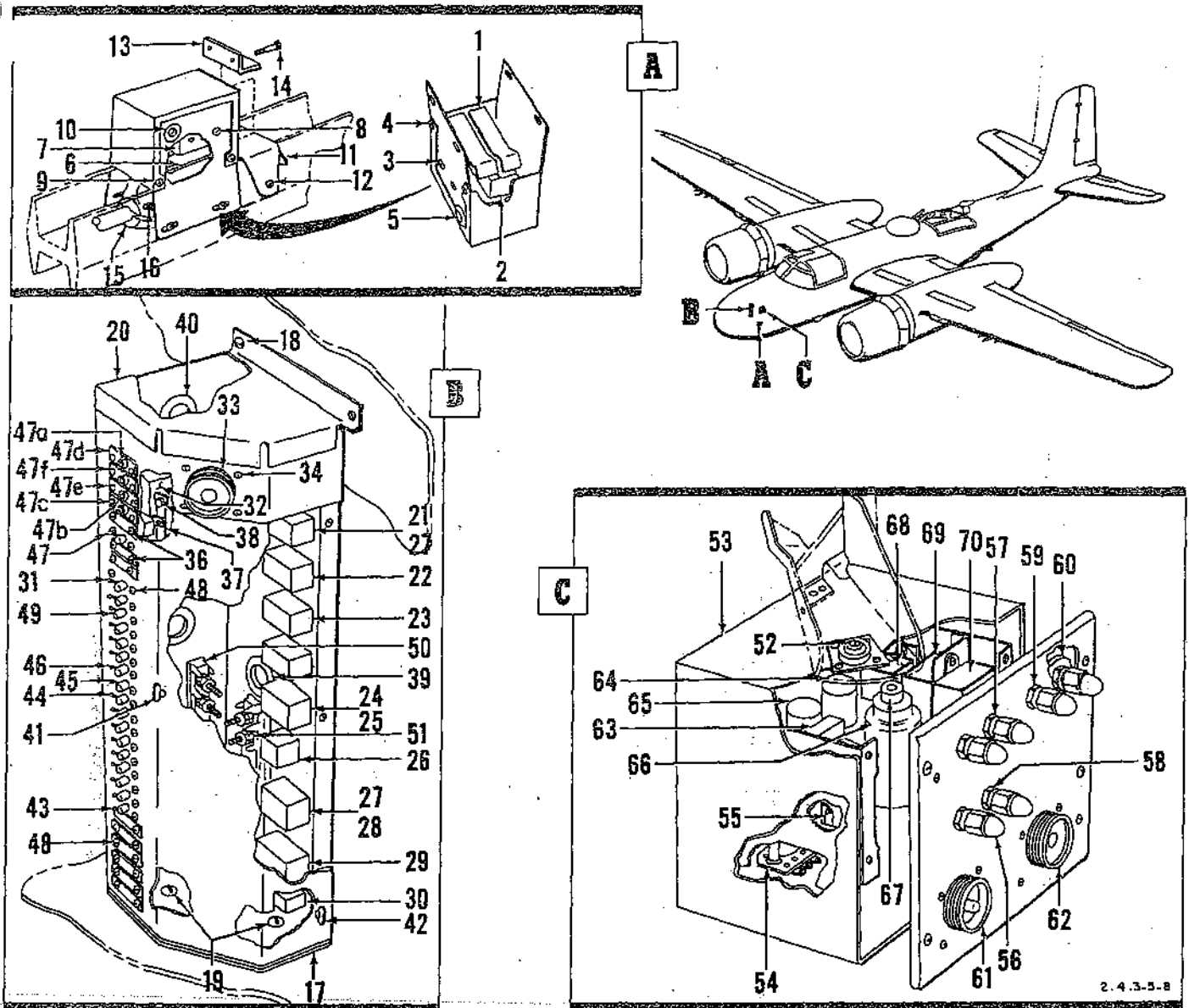


Figure 123. Electrical System Details

FIGURE & INDEX NO.	PART NO.	1 2 3 4 5 6 7	DESCRIPTION	UNITS PER ASSY	USABLE ON CODE
123-			ELECTRICAL SYSTEM DETAILS		
	5205906		SWITCH INSTL, Nose wheel latch down (see figure 115)	Ref	A-C
	5206709		SWITCH INSTL, Nose wheel latch down (see figure 115)	Ref	D,E
	4205833		SUPPORT ASSY, Nose wheel latch down switch	1	A-C
-1	9-10831		ACTUATOR, Type T (1205892 and -1) (MCS)	2	A-C
-2	BZR31		SWITCH (MCS)	2	A-C
			(ATTACHING PARTS)		
-3	AN515-6-40		SCREW	2	A-C
	AN960D6L		WASHER	4	A-C
	AN365-632		NUT	2	A-C
-4	AN530-6-4		SCREW	4	A-C
	A880-623		NUT (TIN)	4	A-C
-5	AN931-4-7		GROMMET	1	A-C
	4206708		SUPPORT ASSY, Nose wheel latch down switch	1	D,E
-6	9-10831		ACTUATOR, Type T (MCS)	1	D,E
-7	AN3210-1		SWITCH (See figure 115)	Ref	D,E
			(ATTACHING PARTS)		
-8	AN515-6-40		SCREW	2	D,E
	2033900-5D049-016		SPACER	4	D,E
	AN960D6		WASHER	4	D,E
	AN365-632		NUT	2	D,E

Section II

T. O. 1B-26B-4

Group Assembly Parts List

FIGURE & INDEX NO.	PART NO.	1	2	3	4	5	6	7	DESCRIPTION	UNITS PER ASSY	USABLE ON CODE
123-9	AN530-6R6					*			SCREW	4	D,E
	A880-6Z1								NUT (TIN)	4	D,E
-10	AN931-4-7								GROMMET	1	D,E
-11	No Number								GUARD, Nose gear retracting link mud (per T. O. 1B-26-95)	1	
									(ATTACHING PARTS)		
-12	AN515-8R5								SCREW (Formerly 1027301-8-5)	6	
-13	No Number								ANGLE, Mud guard support (per T. O. 1B-26-95)	1	
									(ATTACHING PARTS)		
-14	AN515-6-8								SCREW	2	
	AN365-632								NUT	2	
-15	1151337								ACTUATOR, Nose wheel down latch switch	1	
-16	AN515-6R8								SCREW (formerly 1027301-6-8)	1	
	AN935-6								WASHER	1	
	5195411								JUNCTION BOX INSTL, Fuselage section electrical forward	Ref	
									(see figure 115)		
-17	4143517								BASE, Fuselage section electrical forward junction	1	
	5195414								BOX ASSY, Fuselage section electrical forward junction	1	A,B
									complete		
	5205059								BOX ASSY, Fuselage section electrical forward junction	1	C,D
									complete		
	5208624								BOX ASSY, Fuselage section electrical forward junction	1	E
									complete		
									(ATTACHING PARTS)		
-18	PK11428-7								SCREW (PK)	2	
	AN960-8								WASHER	2	
	A1778-8Z1								NUT (TIN)	2	
-19	AN515-8-13								SCREW	2	
	AN960-8								WASHER	2	
	AN365-832								NUT	2	
-20	5195413								JUNCTION BOX ASSY, Fuselage section electrical forward	1	A,B
	5205060								JUNCTION BOX ASSY, Fuselage section electrical forward	1	C-E
-21	1220DE								RELAY (LR)	2	
-22	1222BFDES								RELAY (LR)	1	
-23	1220DEC								RELAY (LR)	1	A-D
-24	1224DEC								RELAY (LR)	2	A,B
-25	1220DECW								RELAY (LR)	1	C,D
-26	1222DED								RELAY (LR)	1	A,B
-27	1220DE								RELAY (LR)	1	C,D
-28	1222DED								RELAY (LR)	1	E
-29	2021DE								RELAY (LR)	1	A,B
-30	1220DEC								RELAY (LR)	1	C,D
-31	1222DED								RELAY (LR)	1	A-D
-32	No Number								RELAY (Spec MIL-R-6158)	1	E
-33	AN3102-32-7S								CONNECTOR	1	
									(ATTACHING PARTS)		
-34	AN515-8-10								SCREW	4	
	AN960-8								WASHER	4	
	AN365-832								NUT	4	
-35	1194971								PLATE, Electrical cover	1	
									(ATTACHING PARTS)		
-36	AN515-6-6								SCREW	2	
	AN960-6								WASHER	2	
-37	4195363								BUS BAR, Fuselage section electrical forward junction box	1	
									(ATTACHING PARTS)		
-38	ANS-6A								BOLT	1	
	124682-SS12-062								WASHER	2	
	AN365-524								NUT	1	
-39	AN931-16-22								GROMMET	1	
-40	AN931-24-28								GROMMET	2	
	5195412								COVER ASSY, Fuselage section electrical junction box	1	
-41	98-0W5-14								STUD, Fastener (SLK)	3	
-42	98-0W5-17								STUD, Fastener (SLK)	3	
-43	AN3160-5								CIRCUIT BREAKER	AR	
-44	AN3160-10								CIRCUIT BREAKER	2	
-45	AN3160-20								CIRCUIT BREAKER	AR	
-46	AN3160-25								CIRCUIT BREAKER	1	A,B
-47	AN3160-50								CIRCUIT BREAKER	1	E
-47a	MS25005-5								CIRCUIT BREAKER	3	F
-47b	MS25005-10								CIRCUIT BREAKER	1	F
-47c	E60046-1								DECAL, Metal	1	F
-47d	E60046-3								DECAL, Metal	1	F
-47e	E60046-5								DECAL, Metal	1	F
-47f	E60046-7								DECAL, Metal	1	F
-48	AN515-6-6								SCREW	AR	
	AN960-6								WASHER	AR	
-49	49-1416								GUARD, Switch (CUT)	16	C-E
-50	NAS191-14								STRIP ASSY, Multiple terminal (Formerly 2062648-14A)	AR	
-51	NAS191-12								STRIP ASSY, (formerly 2062648-12A)	1	A,B
	5192464								TELLTALE CONVERTER INSTL (see figure 115)	Ref	A,B

FIGURE & INDEX NO.	PART NO.	1	2	3	4	5	6	7	DESCRIPTION	UNITS PER ASSY	USABLE ON CODE
123-	5205051 No Number	TELLTALE CONVERTER INSTL (see figure 115)							Ref	C,D	
		CONVERTER UNIT, Type TTS-1 (part to be in accordance							1		
		with Douglas Spec drawing number 5161659)									
		(ATTACHING PARTS)									
-52	AN515-8-20 124682-2D16-032 AN365-832	SCREW							3		
		WASHER							3		
		NUT							3		
		* - - *									
		GENERAL ASSY, Telltale converter box							1	A-D	
-53	5161669 5161524 5162282	BOX ASSY, Telltale converter							1	A-D	
	AN530-8-8	BRACKET ASSY, Telltale converter box							1	A-D	
		SCREW							5	A-D	
-54	2161384 1087510-4-19 2033900-3D	PANEL ASSY, Telltale box resistor							2	A-D	
	02B-025	SCREW, Flathead 100° recessed							4	A-D	
	AN365-440	TUBE, 24ST aluminum alloy							4	A-D	
-55	51K1200	NUT							4	A-D	
-56	1173569	CONDENSER, Ceramic 0.01 MFD (MUT)							2	A-D	
-57	33-210-053	CAP, 3/8 NEF threaded plastic							6	A-D	
-58	33-010-281	RADIOHM, Midget (CRLI)							2	A-D	
-59	33-010-280	RADIOHM, Midget (CRLI)							3	A-D	
-60	5161669-2	RADIOHM, Midget (CRLI)							1	A-D	
-61	AN3102-24-27P	SHEET, Telltale convert unit insulating							3	A-D	
-62	AN3102-24-278	CONNECTOR							1	A-D	
-63	5470	CONNECTOR							1	A-D	
-64	4306	TRANSFORMER (PSS)							1	A-D	
-65	6H6	TRANSFORMER (PSS)							2	A-D	
-66	2X2-879	TUBE, Radiotron (RCA)							3	A-D	
-67	No Number	TUBE, Radiotron (RCA)							1	A-D	
-68	DYR10011-2X	CAP, Grid Type 24 (NMP)							1	A-D	
-69	1MFD	RELAY, Type P3HA (LR)							1	A-D	
	DYR6022-2X	CONDENSER (CLD)							1	A-D	
-70	25MFD	CONDENSER (CLD)							1	A-D	
		A USAF 41-39100 thru 41-39123			D USAF 41-39300 thru 41-39599						
		43-22252 thru 43-22266			43-22454 thru 43-22466						
					43-22565 thru 43-22751						
		B USAF 41-39124 thru 41-39139			E USAF 44-34098 thru 44-35996						
		C USAF 41-39140 thru 41-39299			F USAF 41-39403, 41-39425, 41-39467						
		43-22302 thru 43-22453			41-39468, 41-39479, 41-39525						
		43-22467 thru 43-22564			43-22533, 43-22616, 43-22714						
					43-22728, 44-34148, 44-34212						
					44-34602, 44-35229, 44-35423						
					44-35428, 44-35619, 44-35733						

FUSELAGE

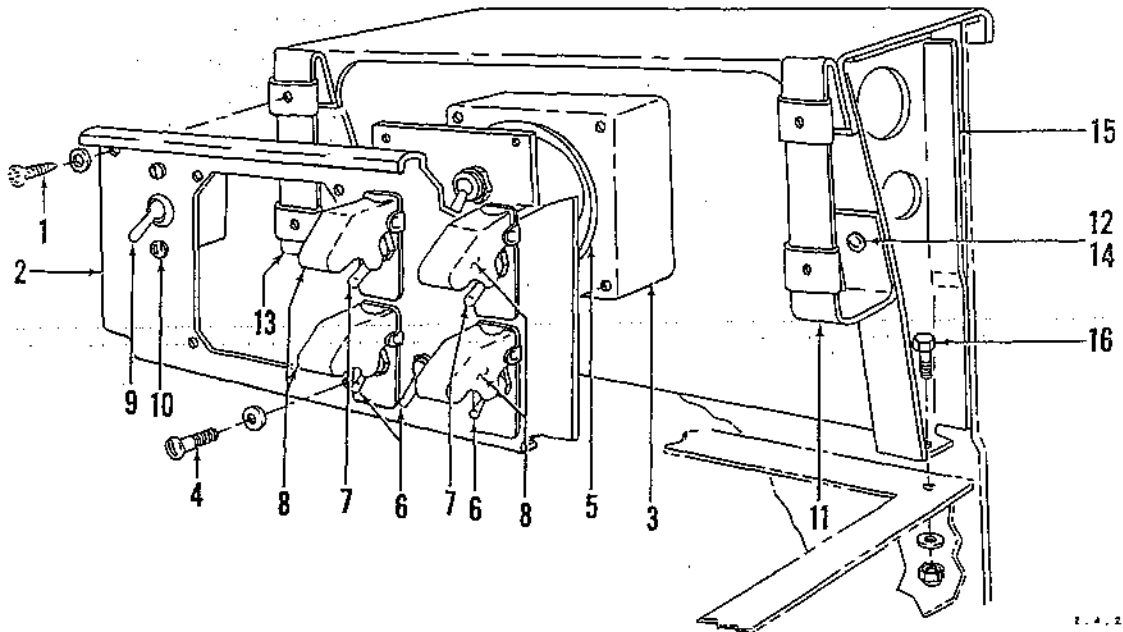
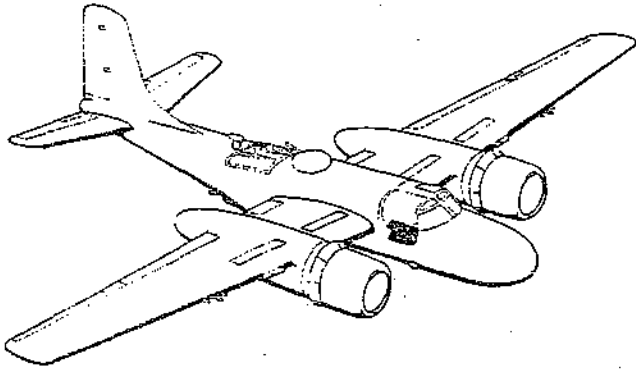
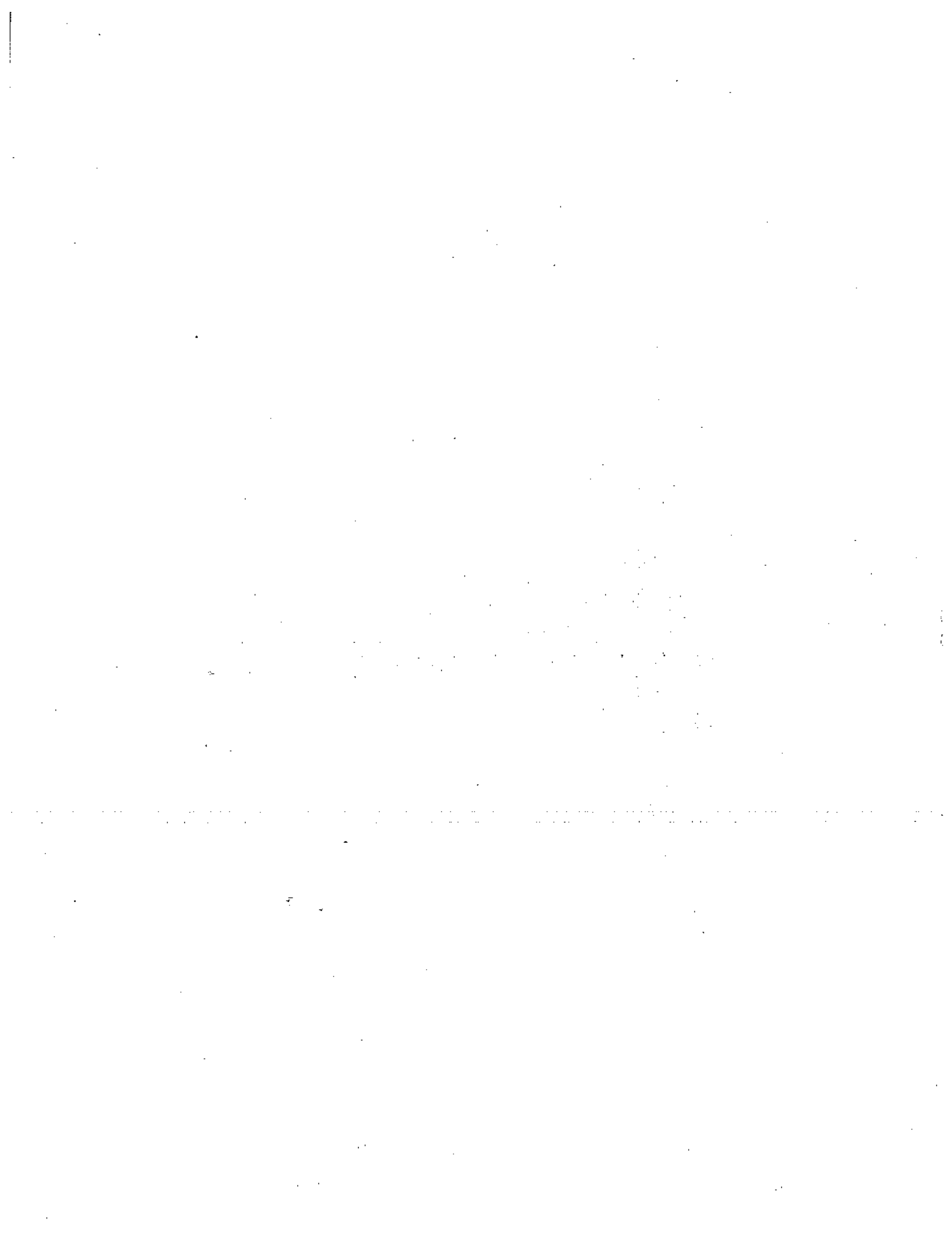
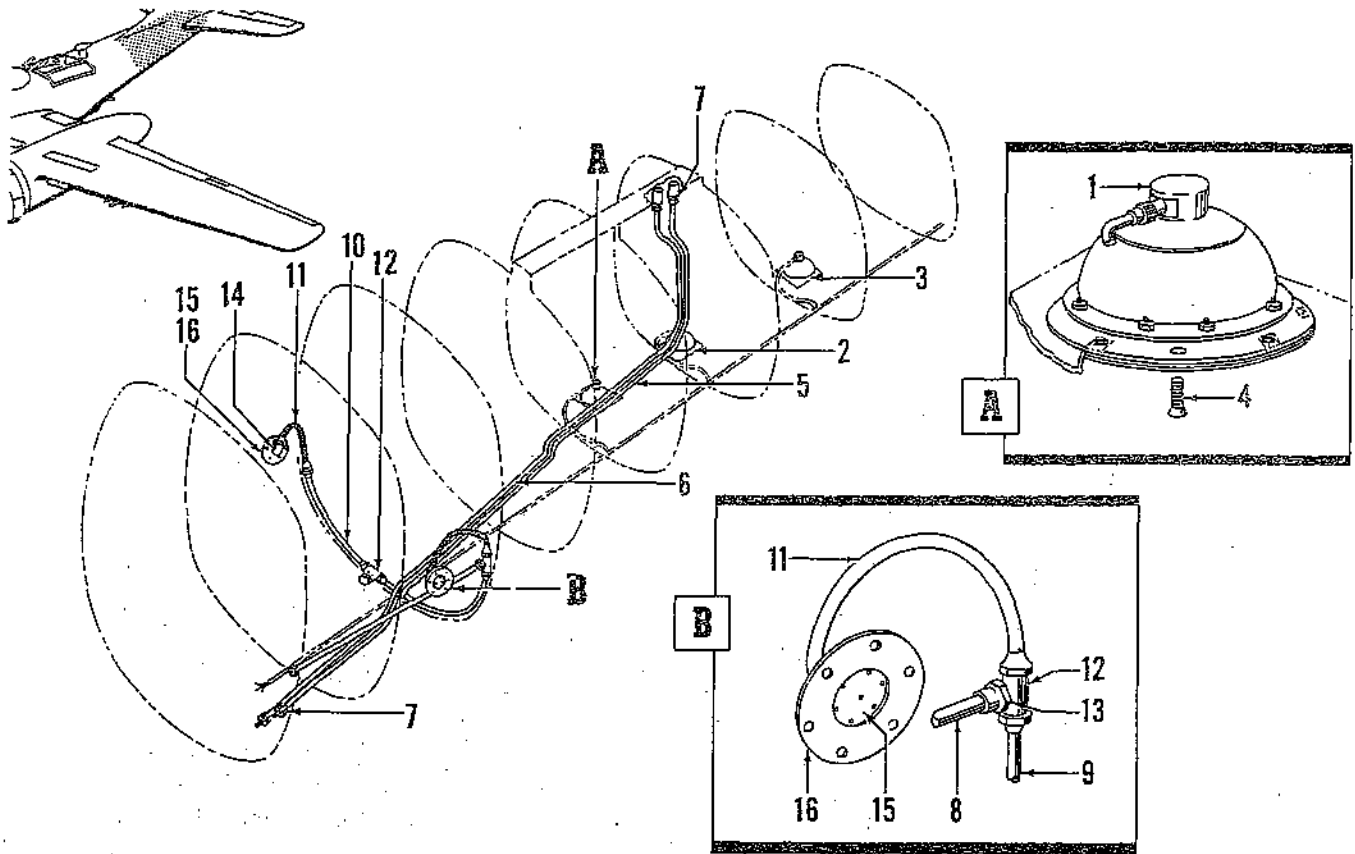


Figure 124. Pilot Electrical Auxiliary Panel and Step Support Installation

FIGURE & INDEX NO.	PART NO.	DESCRIPTION							UNITS PER ASSY	USABLE ON CODE	
		1	2	3	4	5	6	7			
124-	5209780	AUXILIARY PANEL AND STEP SUPPORT INSTL, Pilot electrical							1	A	
	3209751	PANEL ASSY, Pilot auxiliary electrical							1	A	
	-1	AN530-10R8 AN960D10 A1226-10Z1	(ATTACHING PARTS)							4	A
			SCREW							4	A
			WASHER							4	A
			NUT (TIN)							4	A
	-2	4209647	PANEL ASSY, Pilot auxiliary electrical							1	A
	-3	3209751-2	BOX ASSY, Projector release control (reworked USAF							1	A
			Spec 24973 Type A-2)								
	-4	AN515-6-7 AN960-6	(ATTACHING PARTS)							4	A
			SCREW							4	A
	-5	177469NT1100	WASHER							1	A
			CHANNEL, Extruded elastic							3	A
	-6	AN3027-5	SWITCH							2	A
	-7	AN3021-3	SWITCH							4	A
	-8	AN3028-1	GUARD							1	A
-9	AN3022-3	SWITCH							2	A	
-10	AN515-6-8 AN960-6	SCREW							2	A	
		WASHER							2	A	
-11	2278232	SUPPORT, Panel LH							1	A	
-12	AN520-10-8 AN960D10	(ATTACHING PARTS)							2	A	
		SCREW							2	A	
-13	2278232-1	WASHER							1	A	
		SUPPORT, Panel RH							2	A	
-14	AN520-10-8 AN960D10	(ATTACHING PARTS)							2	A	
		SCREW							2	A	
-15	5275073	WASHER							1	A	
		SUPPORT ASSY, Pilot auxiliary electrical panel							2	A	
-16	AN3-5A AN960D10 AN365-1032	(ATTACHING PARTS)							2	A	
		BOLT							2	A	
		WASHER							2	A	
		NUT							2	A	
		A USAF 44-34718, 44-34723, 44-35361, 44-35380, 44-35382,									
		44-35383, 44-35391, 44-35411, 44-35412, 44-35530,									
		44-35631, 44-35641, 44-35703, 44-35753, 44-35763,									
		44-35777, 44-35784, 44-35790, 44-35835, 44-35849,									
		44-35858, 44-35856, 44-35857, 44-35860, 44-35867,									
		44-35868, 44-35872, 44-35876, 44-35877, 44-35880,									
		44-35919, 44-35926, 44-35928, 44-35930, 44-35932,									
		44-35934									





2.4.2-1.74

Figure 125. Aft Section Electrical and Instrument Systems

FIGURE & INDEX NO.	PART NO.	1	2	3	4	5	6	7	DESCRIPTION	UNITS PER ASSY	USABLE ON CODE
125-									ELECTRICAL AND INSTRUMENT SYSTEMS, Aft section		
	5153180								ELECTRICAL INSTL, Fuselage aft section (see figure 40)	Ref	
	5195579								RECOGNITION LAMP INTSL, Downward	1	
-1	AN9096-5								LIGHT ASSY (formerly A2023R12)	1	
-2	AN3096-6								LIGHT ASSY	1	
-3	AN3096-4								LIGHT ASSY	1	
									(ATTACHING PARTS)		
-4	1114189Z6-8								SCREW, Sheet metal 100° recessed flathead	6	
									-----*		
	5153181								INSTRUMENT INSTL, Fuselage aft section (see figure 40)	Ref	
-5	2155106-2								LINE ASSY, Air, speed static	1	A
-6	2155106-4								LINE ASSY, Air, speed pressure	1	A
-7	AN815-4D								UNION	4	A
	5207534								INSTRUMENT INSTL, Fuselage aft section (see figure 40)	Ref	
-8	2155106-8								LINE ASSY, Airspeed static	1	B
-9	2155106-10								LINE ASSY, Instrument	1	B
-10	2155106-12								LINE ASSY, Instrument	1	B
-11	No Number								HOSE ASSY, 1/4" OD (Made from hose Spec MIL-H-5593)	2	B
-12	AN824-4D								TEE	2	B
-13	AN929-4								CAP ASSY	1	B
-14	AN823-4D								ELBOW	2	B
-15	42A13995								TUBE, Static pressure (GFP)	2	B
-16	42A11521								PLATE, Static pressure tube reinforcing (GFP)	2	B
		A USAF							41-39100 thru 41-39323		
									43-22252 thru 43-22591		
									C USAF 41-39100 thru 41-39133		
									43-22252 thru 43-22282		
		B USAF							41-39324 thru 41-39599		
									43-22591 thru 43-22751		
									44-34098 thru 44-36797		

Section II
Group Assembly Parts List

T.O. 1B-26B-4
FUSELAGE

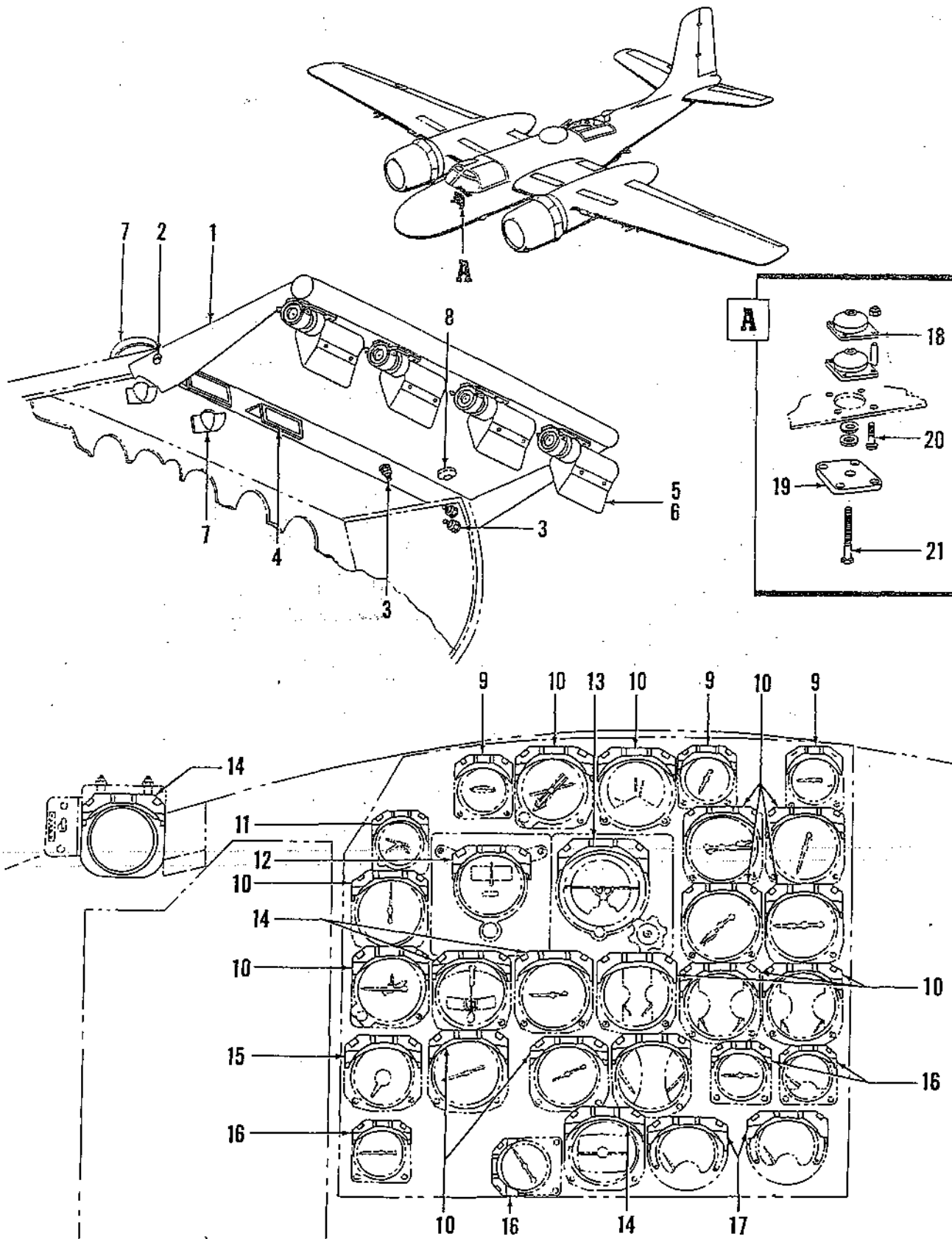


Figure 126. Pilot Instrument Panel Electrical Installation

FIGURE & INDEX NO.	PART NO.	DESCRIPTION							UNITS PER ASSY	USABLE ON CODE
		1	2	3	4	5	6	7		
126-		PILOT INSTRUMENT PANEL ELECTRICAL INSTL								
-1	52SCH463 52SCD947	SHIELD INSTL, Pilot panel							1	A
		SHIELD ASSY, Pilot instrument panel							1	A
		(ATTACHING PARTS)								
-2	AN515B8-7	SCREW							2	A
	AN960B8	WASHER							2	A
	AN365B832	NUT							2	A
-3	AN515B8-7	SCREW							19	A
	AN960B8	WASHER							19	A
	AN365B832	NUT							19	A
-4	52SCA529	ANGLE, instrument panel shield							2	A
-5	4255A1	LAMP ASSY, Type 11A (GMC)							4	A
		(ATTACHING PARTS)								
-6	AN515B6-7	SCREW							2	A
	AN960B6	WASHER							2	A
	AN365B632	NUT							2	A
-7	AN3155-50-25	RHEOSTAT							2	A
-8	AN931-6-10 52SCD453	GROMMET							1	A
-9	4750	RED RING LIGHT INSTL, Pilot instrument							1	A
-10	4755	LIGHT ASSY, Red ring (GMC)							3	A
-11	4752	LIGHT ASSY, Red ring (GMC)							14	A
-12	4780	LIGHT ASSY, Red ring (GMC)							1	A
-13	4785	LIGHT ASSY, Red ring (GMC)							1	A
-14	4855	LIGHT ASSY, Red ring (GMC)							4	A
-15	4775	LIGHT ASSY, Red ring (GMC)							1	A
-16	4850	LIGHT ASSY, Red ring (GMC)							4	A
-17	4792	LIGHT ASSY, Red ring (GMC)							2	A
		(ATTACHING PARTS)								
	AN515B6R16	SCREW							AR	A
	AN515B6R12	SCREW							AR	A
	AN515B6R18	SCREW							AR	A
	AN515B6R10	SCREW							AR	A
	AN515B6R20	SCREW							AR	A
	AN515B6R14	SCREW							AR	A
-18	48SCC8241	BRACKET ASSY MODIFICATION, Pilot control panel							2	A
-19	150P10	INSULATOR, Vibration (LO)							2	A
-20	48SCC8241-1	PLATE, Pilot control panel bracket							1	A
		(ATTACHING PARTS)								
	AN515B8-18	SCREW							4	A
	NAS43DD2-37	SPACER							4	A
	AN365B832	NUT							4	A
-21	AN4DD20A	BOLT							1	A
	AN960PD416	WASHER							2	A
		A USAF 44-34718, 44-34723, 44-35361, 44-35380, 44-35382, 44-35383, 44-35391, 44-35411, 44-35412, 44-35530, 44-35531, 44-35641, 44-35703, 44-35753, 44-35763, 44-35777, 44-35784, 44-35790, 44-35885, 44-35849, 44-35853, 44-35846, 44-35857, 44-35860, 44-35867, 44-35868, 44-35872, 44-35876, 44-35877, 44-35880, 44-35919, 44-35926, 44-35928, 44-35930, 44-35932, 44-35934.								

Section II
Group Assembly Parts List

T.O. 1B-26B-4
FUSELAGE

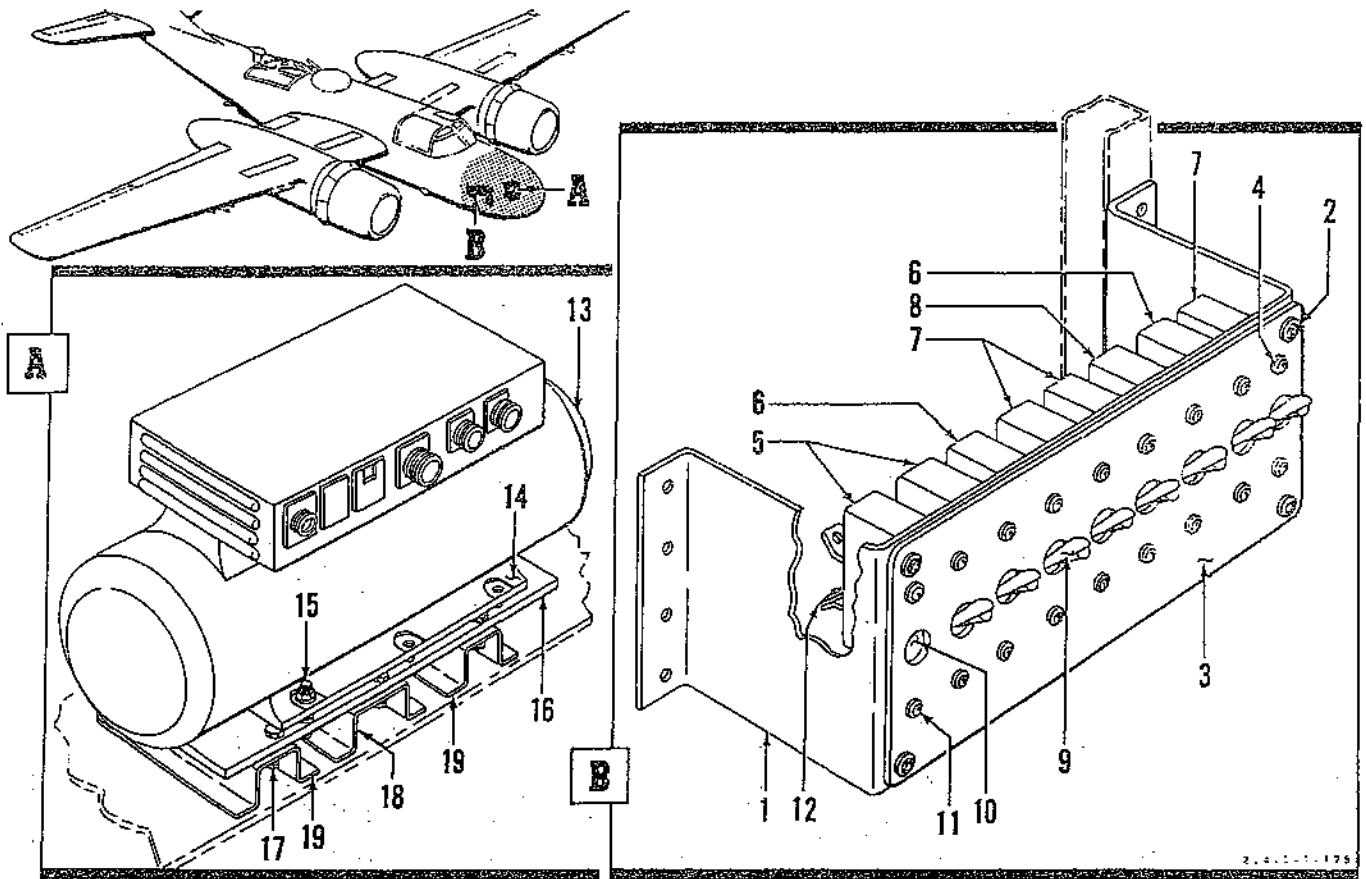


Figure 127. Bombardier Circuit Breaker Panel and PU-7/AP Motor Generator Inverter Installation

FIGURE & INDEX NO.	PART NO.	1	2	3	4	5	6	7	DESCRIPTION	UNITS PER ASSY	USABLE ON CODE	
127-		BOMBARDIER CIRCUIT BREAKER PANEL AND PU-7/AP MOTOR GENERATOR INVERTER INSTL										
-1	52SCC527								CIRCUIT BREAKER PANEL INSTL, Bombardier	1	A	
	52SCC528								BRACKET ASSY, Bombardier circuit breaker panel	1	A	
	52SCC494								PANEL ASSY, Bombardier circuit breaker (ATTACHING PARTS)	1	A	
-2	AN515-8R8								SCREW	4	A	
	AN960-8L								WASHER	4	A	
-3	52SCB495								PLATE, Bombardier circuit breaker panel (ATTACHING PARTS)	1	A	
-4	AN515-6-8								SCREW	16	A	
	AN960D6L								WASHER	16	A	
-5	AN3160-10								CIRCUIT BREAKER	2	A	
-6	AN3160-15								CIRCUIT BREAKER	2	A	
-7	AN3160-5								CIRCUIT BREAKER	3	A	
-8	AN3160-20								CIRCUIT BREAKER	1	A	
-9	49-1416								GUARD, Circuit breaker (CUT)	8	A	
-10	51SCA1279								PLATE, Circuit breaker cover (ATTACHING PARTS)	1	A	
-11	AN515-6-8								SCREW	2	A	
	AN960D6L								WASHER	2	A	
	AN365-632								NUT	2	A	
-12	52SCB523								BUS, Circuit breaker	1	A	
	52SCC539								PU-7/AP INSTL, Motor generator inverter	1	A	
-13	PU7-AP								GENERATOR MOTOR, Type PU-7/AP (GFP)	1	A	
-14	MT116-AP								MOUNT, Motor generator type MT116/AP (GFP) (ATTACHING PARTS)	1	A	
-15	AN501-616-24								SCREW	6	A	
	AN960-616								WASHER	18	A	
	325-6								NUT (USAF Standard)	6	A	
	AN365-624								NUT	6	A	

FIGURE & INDEX NO.	PART NO.	DESCRIPTION							UNITS PER ASSY	USABLE ON CODE
		1	2	3	4	5	6	7		
127-16	52SCCS24				*				1	A
-17	ANG-12A								6	A
-18	48SCB90				*				1	A
-19	4205206								2	A
		A	USAF	44-34718,	44-34723,	44-35361,	44-35380,			
				44-35382,	44-35383,	44-35391,	44-35411,			
				44-35412,	44-35530,	44-35631,	44-35641,			
				44-35703,	44-35753,	44-35763,	44-35777,			
				44-35784,	44-35790,	44-35835,	44-35849,			
				44-35853,	44-35856,	44-35857,	44-35860,			
				44-35867,	44-35868,	44-35872,	44-35876,			
				44-35877,	44-35880,	44-35919,	44-35926,			
				44-35928,	44-35930,	44-35932,	44-35934			

FUSELAGE

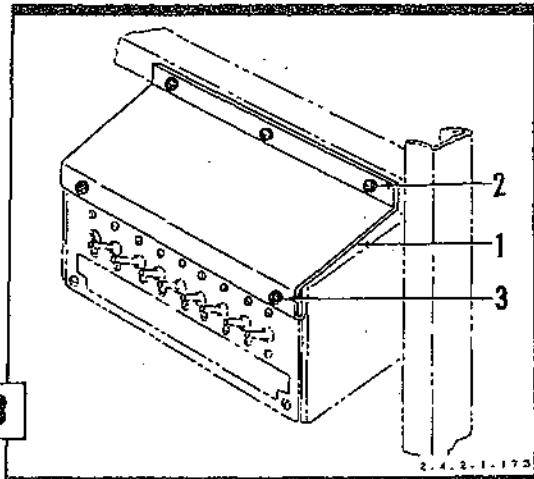
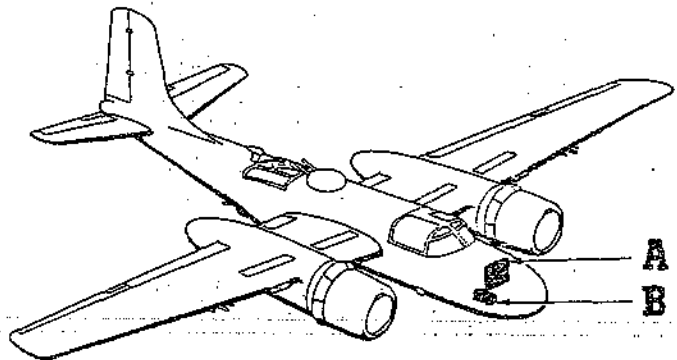
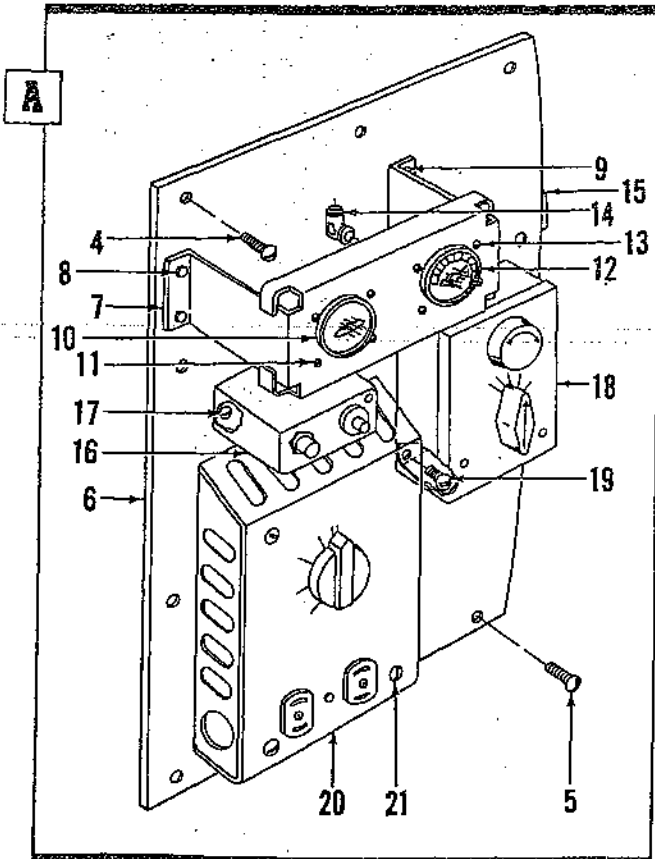


Figure 128. Bombardier Circuit Breaker Guard and Panel Installation

Section II

T. O. 1B-26B-4

Group Assembly Parts List

FIGURE & INDEX NO.	PART NO.	DESCRIPTION							UNITS PER ASSY	USABLE ON CODE
		1	2	3	4	5	6	7		
128-		BOMBARDIER CIRCUIT BREAKER GUARD AND PANEL INSTL								
-1	52SCC2066	GUARD INSTL, Bombardier circuit breaker							1	A
	52SCC2067	GUARD, Bombardier circuit breaker							1	A
		(ATTACHING PARTS)								
-2	ANS15-6R8	SCREW							3	A
	AN960-6	WASHER							3	A
-3	ANS15-8R10	SCREW							2	A
	AN960-8	WASHER							2	A
		-----*								
	52SCD536	EQUIPMENT INSTL, Bombardier panel							1	A
	52SCC929	PANEL ASSY, Bombardier							1	A
		(ATTACHING PARTS)								
-4	AN520-10-10	SCREW							1	A
	AN960-10	WASHER							1	A
	AN365-1032	NUT							1	A
-5	AN520-10-8	SCREW							10	A
	AN960-10	WASHER							10	A
	AN365-1032	NUT							10	A
		-----*								
-6	52SCD469	PANEL, Bombardier							1	A
-7	4SC24023	BRACKET ASSY, Bombardier panel							1	A
		(ATTACHING PARTS)								
-8	AN3-5A	BOLT							1	A
	AN960-10	WASHER							1	A
	AN365-1032	NUT							1	A
-9	AN3-4A	BOLT							3	A
	AN960-10	WASHER							3	A
	AN365-1032	NUT							3	A
		-----*								
-10	AN6029-1	INDICATOR							1	A
		(ATTACHING PARTS)								
-11	AN515B6R10	SCREW							4	A
	A6939-632-032	NUT (TIN)							4	A
		-----*								
-12	AN6021-1A	GAGE							1	A
		(ATTACHING PARTS)								
-13	AN515B6R10	SCREW							4	A
	A6939-632-032	NUT (TIN)							4	A
		-----*								
-14	AN822-5D	ELBOW							1	A
-15	52SCA470	CLIP, Bombardier equipment panel							1	A
-16	43B12393	INTERCALL (Relocated) (GFE)							1	A
		(ATTACHING PARTS)								
-17	ANS15-8-12	SCREW							2	A
	AN960-8	WASHER							2	A
	AN365-832	NUT							2	A
		-----*								
-18	4123127	JACK BOX ASSY, Interphone							1	A
		(ATTACHING PARTS)								
-19	ANS15-8-8	SCREW							3	A
	AN960-8	WASHER							3	A
	AN365-832	NUT							3	A
		-----*								
-20		RHEOSTAT, Heater clothing type 0-1C (Spec MIL-R-6274)							1	A
		(ATTACHING PARTS)								
-21	AN520-10-12	SCREW							4	A
	48B24094	SPACER							4	A
	DD3-16	WASHER							4	A
	AN960-10	NUT							4	A
	AN365-1032									
		-----*								
		A USAF 44-34718, 44-34723, 44-35361, 44-35380,								
		44-35382, 44-35383, 44-35391, 44-35411,								
		44-35412, 44-35530, 44-35631, 44-35641,								
		44-35703, 44-35753, 44-35763, 44-35777,								
		44-35784, 44-35790, 44-35835, 44-35849,								
		44-35858, 44-35856, 44-35857, 44-35860,								
		44-35867, 44-35868, 44-35872, 44-35876,								
		44-35877, 44-35880, 44-35919, 44-35926,								
		44-35928, 44-35930, 44-35932, 44-35934								

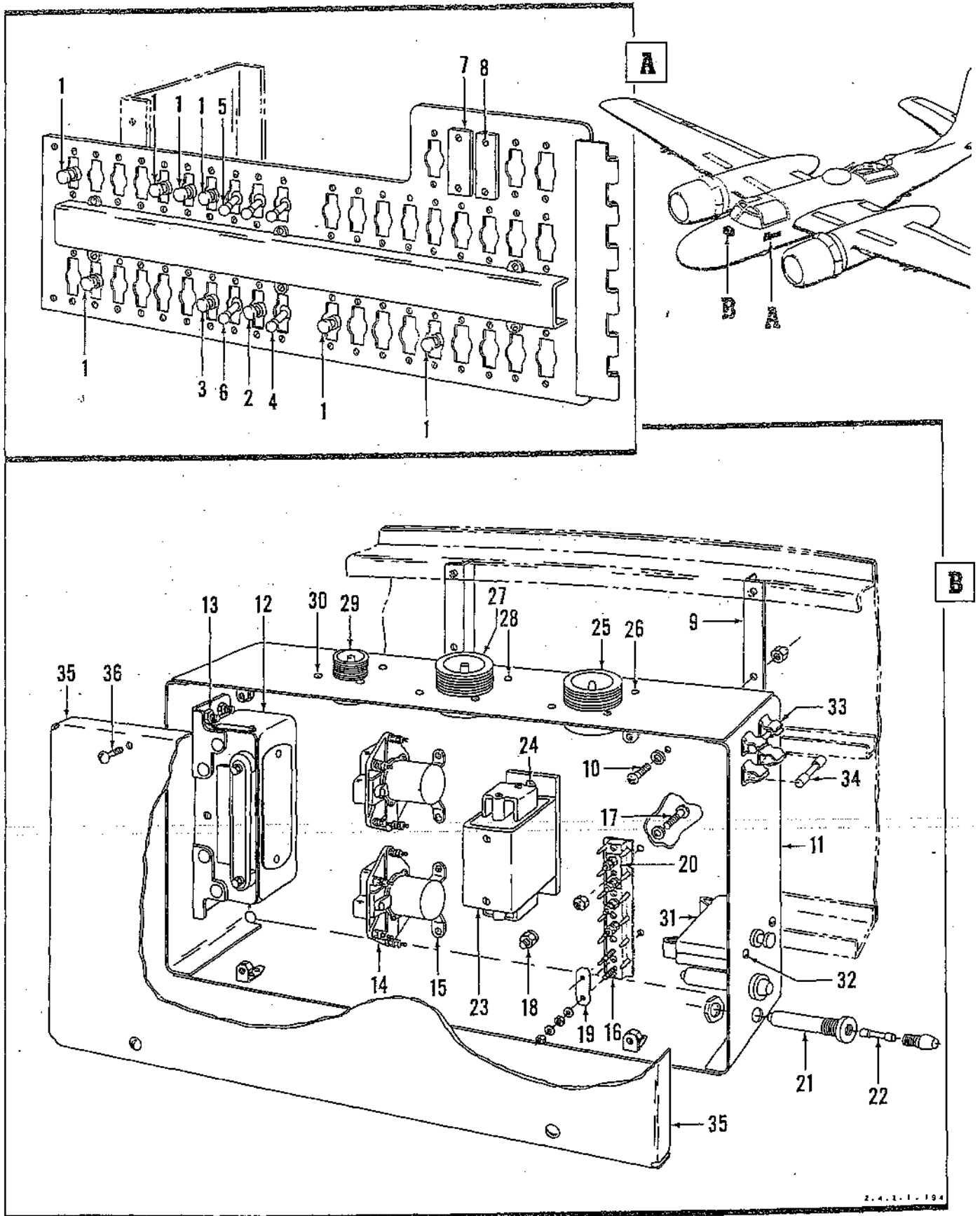


Figure 129. Distribution Panel Modification and AC Power Shield Installation

Section II
Group Assembly Parts List

T.O. 1B-26B-4

FIGURE & INDEX NO.	PART NO.	1	2	3	4	5	6	7	DESCRIPTION	UNITS PER ASSY	USABLE ON CODE
129-									DISTRIBUTION PANEL MODIFICATION AND AC POWER SHIELD INSTL		
	52SCD926								PANEL MODIFICATION, Pilot main distribution panel.....	1	A
-1	MS25005-5								CIRCUIT BREAKER	7	A
-2	MS25005-10								CIRCUIT BREAKER	1	A
-3	MS25005-20								CIRCUIT BREAKER	1	A
-4	MS25005-25								CIRCUIT BREAKER	1	A
-5	AN3160-15								CIRCUIT BREAKER	3	A
-6	AN3160-20								CIRCUIT BREAKER	1	A
-7	51SCA1278								PLATE, Circuit breaker cover	1	A
									(ATTACHING PARTS)		
-8	AN520-10-10								SCREW	2	A
	AN960-10								WASHER	2	A
	AN365-1032								NUT	2	A
									-----*		
	52SCD489								SHIELD INSTL, AC power	1	A
	52SCE491								SHIELD ASSY, AC power	1	A
-9	52SCB492L								SUPPORT, AC power box LH	1	A
	52SCB492R								SUPPORT, AC power box RH	1	A
	52SCE490								BOX ASSY, AC power	1	A
									(ATTACHING PARTS)		
-10	AN520-10RS								SCREW	8	A
	AN960-10								WASHER	8	A
	AN365-1032								NUT	8	A
									-----*		
-11	52SCE490-1								BOX, AC power	1	A
-12	B4815								RELAY ASSY, Inverter (WCL)	1	A
									(ATTACHING PARTS)		
-13	AN520-10-8								SCREW	4	A
	AN960-10								WASHER	4	A
	AN365-1032								NUT	4	A
									-----*		
-14	No Number								RELAY, USAF type B5B (US Army	2	A
									Spec 94-32351-B)		
									(ATTACHING PARTS)		
-15	AN526-1032R8								SCREW	2	A
									-----*		
-16	AN3436-4-6								TERMINAL BLOCK ASSY	1	A
									(ATTACHING PARTS)		
-17	AN515-4-12								SCREW	2	A
	AN960-4								WASHER	2	A
	AN365-440								NUT	2	A
									-----*		
-18	AN520-8-10								SCREW	1	A
	AN961-8								WASHER	2	A
	AN936DB								WASHER	2	A
	AN341-8								NUT	1	A
-19	AN3433-4-2								BUS	1	A
-20	AN3434-4								STRIP	1	A
-21	FU39								EXTRACTOR ASSY, Fuse (LTF)	2	A
-22	4A6								FUSE, Lamp (LTF)	2	A
-23	44B18574								RELAY ASSY, Inverter failure indicating signal	1	A
									(ATTACHING PARTS)		
-24	AN510-10R8								SCREW	2	A
									-----*		
-25	AN3102-28-1P								CONNECTOR	1	A
									(ATTACHING PARTS)		
-26	AN515-6-8								SCREW	4	A
	AN960-6								WASHER	4	A
	AN365-632								NUT	4	A
									-----*		
-27	AN3102-28-1PW								CONNECTOR	1	A
									(ATTACHING PARTS)		
-28	AN515-6-8								SCREW	4	A
	AN960-6								WASHER	4	A
	AN365-632								NUT	4	A
									-----*		
-29	AN3102-18-12P								CONNECTOR	1	A
									(ATTACHING PARTS)		
-30	AN515-6-8								SCREW	4	A
	AN960-6								WASHER	4	A
	AN365-632								NUT	4	A
									-----*		
-31	MS25005-5								CIRCUIT BREAKER	1	A
									(ATTACHING PARTS)		
-32	AN515-6-7								SCREW	2	A
									-----*		
-33	123001								CLIP, Fuse (LTF)	2	A
-34	4A6								FUSE, Lamp (LTF)	2	A
-35	52SCE490-2								COVER, AC power box	1	A
									(ATTACHING PARTS)		
-36	AN255-10								SCREW	4	A
									-----*		

FIGURE & INDEX NO.	PART NO.								DESCRIPTION	UNITS PER ASSY	USABLE ON CODE
		1	2	3	4	5	6	7			
129-		A	USAF	44-34718,	44-34723,	44-35361,	44-35380,				
				44-35382,	44-35383,	44-35391,	44-35411,				
				44-35412,	44-35530,	44-35631,	44-35641,				
				44-35703,	44-35753,	44-35763,	44-35777,				
				44-35784,	44-35790,	44-35835,	44-35849,				
				44-35858,	44-35856,	44-35857,	44-35860,				
				44-35867,	44-35868,	44-35872,	44-35876,				
				44-35877,	44-35880,	44-35919,	44-35926,				
				44-35928,	44-35930,	44-35932,	44-35934				

FUSELAGE

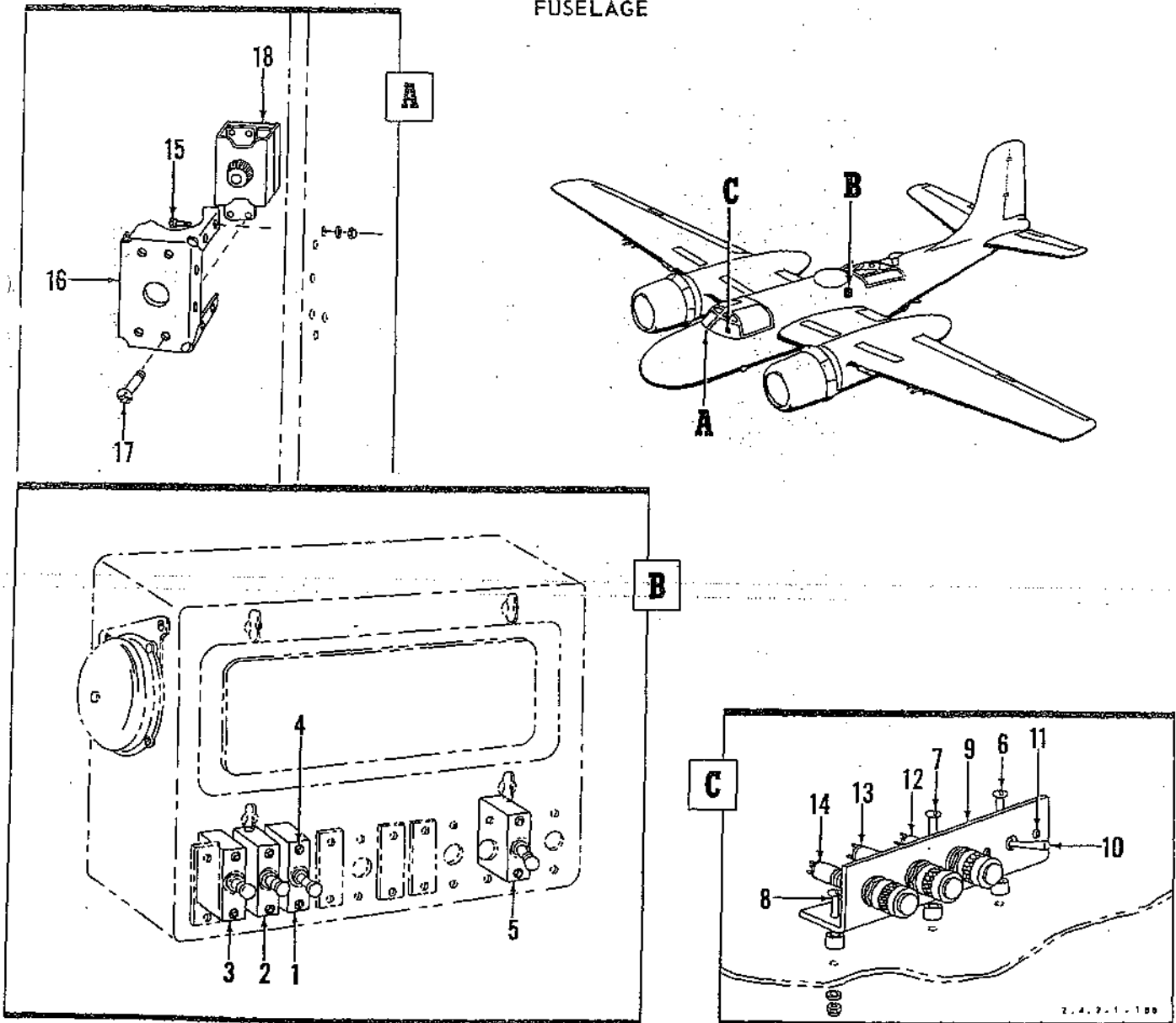


Figure 130. Circuit Breaker and Switch Panel Installation

Section II

T.O. 1B-26B-4

Group Assembly Parts List

FIGURE & INDEX NO.	PART NO.	1	2	3	4	5	6	7	DESCRIPTION	UNITS PER ASSY	USABLE ON CODE
130-									CIRCUIT BREAKER AND SWITCH PANEL INSTL		
-1	52SCD498								CIRCUIT BREAKER INSTL, Fuselage aft relay shield	1	A
-2	MS25003-10								CIRCUIT BREAKER	1	A
-3	MS25005-10								CIRCUIT BREAKER	1	A
-4	MS25005-5								CIRCUIT BREAKER	1	A
									(ATTACHING PARTS)		
-4	AN515-6R5								SCREW	2	A
	AN960-6								WASHER	2	A
-5	AN3160-5								CIRCUIT BREAKER	1	A
	52SCD531								INDICATOR LIGHT AND SWITCH PANEL INSTL, APN-1 and APN-3	1	A
	52SCB522								PANEL ASSY, APN-1 indicator light and APN-3 switch	1	A
									(ATTACHING PARTS)		
-6	ANS20B10-20								SCREW	1	A
	48B24094DD3-24								SPACER	1	A
	AN960C10L								WASHER	1	A
	AN365-1032								NUT	1	A
-7	ANS20B10-24								SCREW	1	A
	48B24094DD3-32								SPACER	1	A
	AN960C10L								WASHER	1	A
	AN365-1032								NUT	1	A
-8	ANS20B10-26								SCREW	1	A
	48B24094DD3-48								SPACER	1	A
	AN960C10L								WASHER	1	A
	AN365-1032								NUT	1	A
-9	52SCB521								PANEL, APN-1 indicator and APN-3 switch	1	A
-10	AN3022-2								SWITCH	1	A
									(ATTACHING PARTS)		
-11	AN515-6-6								SCREW	2	A
-12	AN3157-3								LIGHT ASSY	1	A
	AN3121-313								LAMP	1	A
-13	AN3157-4								LIGHT ASSY	1	A
	AN3121-313								LAMP	1	A
-14	AN3157-2								LIGHT ASSY	1	A
	AN3121-313								LAMP	1	A
	52SCD535								CIRCUIT BREAKER INSTL, Main inverter	1	A
	51SCB1251								BRACKET ASSY, 200 amp circuit breaker	1	A
									(ATTACHING PARTS)		
-15	AN3-4A								BOLT	6	A
	AN960-10								WASHER	6	A
	AN365-1032								NUT	6	A
-16	51SCC1250								BRACKET, 200 amp circuit breaker	1	A
									(ATTACHING PARTS)		
-17	ANS20-10R7								SCREW	4	A
	AN960-10								WASHER	4	A
	AN365-1032								NUT	4	A
-18	43A12832								CIRCUIT BREAKER, 200 amp (SPTD)	1	A
									A USAF 44-34718, 44-34723, 44-35361,		
									44-35380, 44-35382, 44-35383,		
									44-35391, 44-35411, 44-35412,		
									44-35530, 44-35631, 44-35641,		
									44-35703, 44-35753, 44-35763,		
									44-35777, 44-35784, 44-35790,		
									44-35835, 44-35849, 44-35853,		
									44-35856, 44-35857, 44-35860,		
									44-35867, 44-35868, 44-35872,		
									44-35876, 44-35877, 44-35880,		
									44-35919, 44-35926, 44-35928,		
									44-35930, 44-35932, 44-35934		

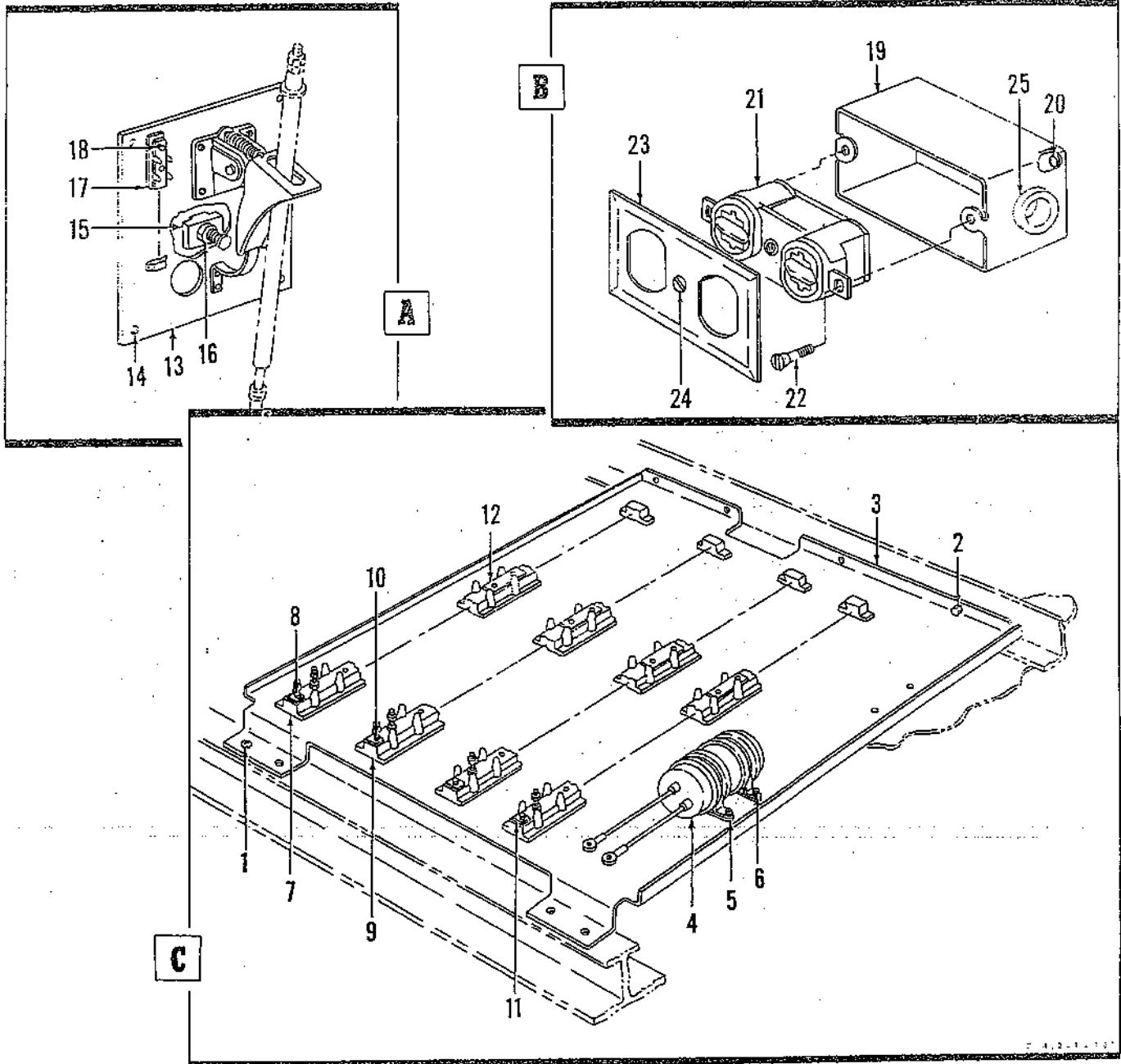


Figure 131. Radio Disconnect Bracket, Salvo Switch and Power Receptacle Installation

Section II
Group Assembly Parts List

T.O. 1B-26B-4B

FIGURE & INDEX NO.	PART NO.	DESCRIPTION							UNITS PER ASSY	USABLE ON CODE
		1	2	3	4	5	6	7		
131-		RADIO DISCONNECT BRACKET, SALVO SWITCH AND POWER RECEPTACLE INSTL								
	52SCD442	BRACKET INSTL, Rear bomb bay radio disconnect							1	A
	52SCD441	BRACKET ASSY, Rear bomb bay radio disconnect (ATTACHING PARTS)							1	A
-1	AN520-10-10	SCREW							4	A
	AN960-10	WASHER							8	A
	AN365-1032	NUT							4	A
-2	AN3-6A	BOLT							4	A
	AN960-10	WASHER							8	A
	AN365-1032	NUT							4	A
-3	52SCD440	BRACKET, Rear bomb bay radio disconnect							1	A
-4	3DKB1250	CAPACITOR (GFP)							2	A
-5	AN742-24C	CLAMP (ATTACHING PARTS)							4	A
-6	AN520-10-10	SCREW							1	A
	AN960-10	WASHER							1	A
-7	AN3436-4-16	TERMINAL BLOCK ASSY (ATTACHING PARTS)							2	A
-8	AN515-4-5	SCREW							2	A
	AN960-4	WASHER							2	A
	AN365-440	NUT							2	A
-9	AN3436-4-15	TERMINAL BLOCK ASSY (ATTACHING PARTS)							2	A
-10	AN515-4-5	SCREW							2	A
	AN960-4	WASHER							2	A
	AN365-440	NUT							2	A
-11	AN3434-4	STRIP							8	A
-12	AN3434-3	STRIP							8	A
	52SCD2059	SWITCH INSTL, Bomb door salvo RH							1	A
-13	4207845	BASE ASSY (ATTACHING PARTS)							1	A
-14	AN520-10-10	SCREW							4	A
-15	MCM1904C2	SWITCH (GE)							1	A
-16	29-751	RING, Locking (CUT)							1	A
-17	NA5191-4	STRIP ASSY, (formerly 2062648-4A) (ATTACHING PARTS)							1	A
-18	AN507-440-6	SCREW							2	A
	AN365-440	NUT							2	A
-19	52SCC923	RECEPTACLE INSTL, AC power test							1	A
	455L1-2	BOX, Conduit (APL) (ATTACHING PARTS)							1	A
-20	AN520-10-6	SCREW							4	A
	AN960-10	WASHER							4	A
	AN365-1032	NUT							4	A
-21	9595	OUTLET, Receptacle (HAW) (ATTACHING PARTS)							1	A
-22	AN507-632-5	SCREW							2	A
-23	2510	COVER, Box (GLPR) (ATTACHING PARTS)							1	A
-24	AN507-632-5	SCREW							1	A
-25	AN931-10-14	GROMMET							1	A
		A USAF 44-34718, 44-34723, 44-35361, 44-35380, 44-35382, 44-35383, 44-35391, 44-35411, 44-35412, 44-35530, 44-35631, 44-35641, 44-35703, 44-35753, 44-35763, 44-35777, 44-35784, 44-35790, 44-35835, 44-35849, 44-35858, 44-35856, 44-35857, 44-35860, 44-35867, 44-35868, 44-35872, 44-35876, 44-35877, 44-35880, 44-35919, 44-35926, 44-35928, 44-35930, 44-35932, 44-35934.								

FUSELAGE

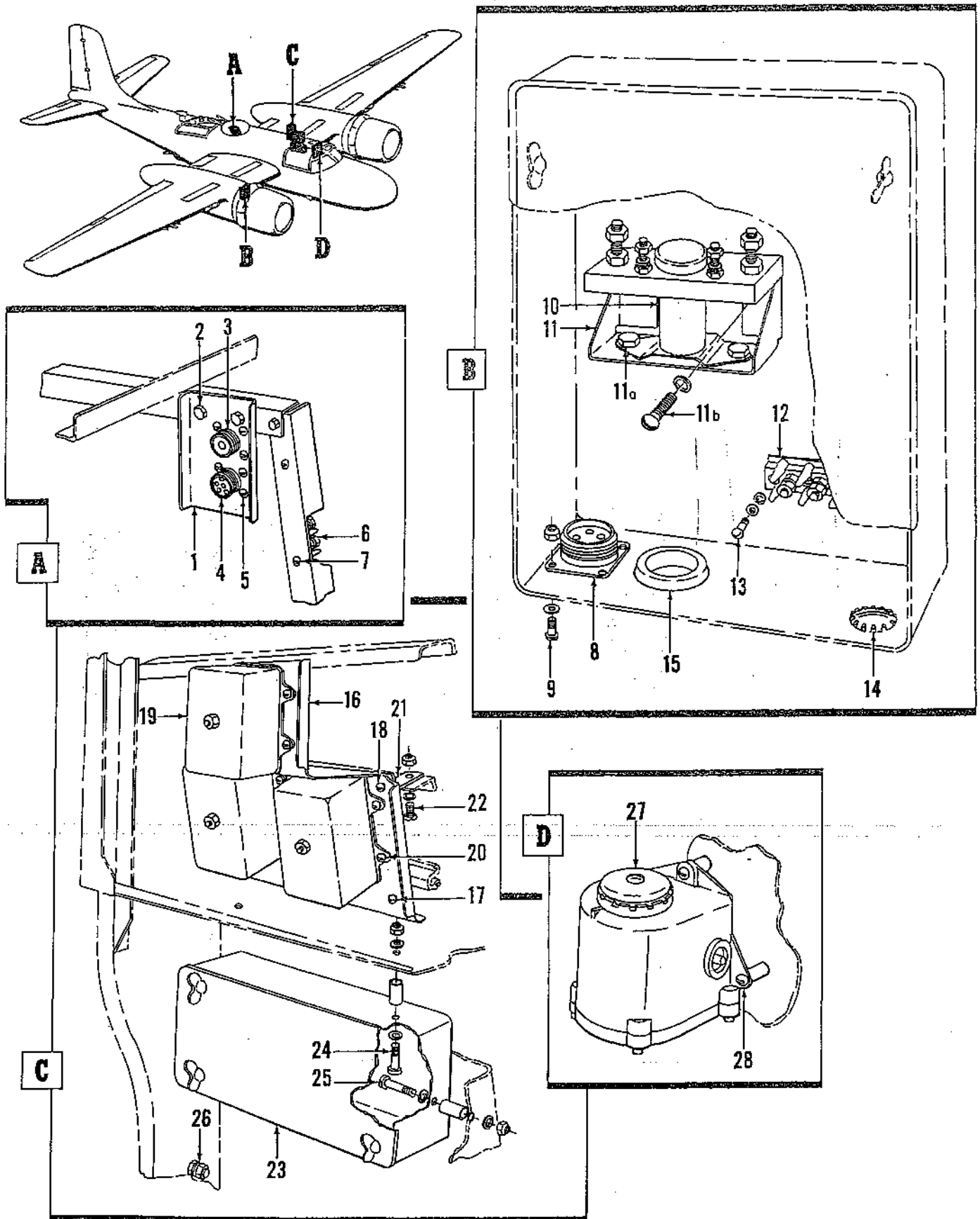


Figure 132. Electrical System Installation

Section II

T.O. 1B-26B-4

Group Assembly Parts List

FIGURE & INDEX NO.	PART NO.	DESCRIPTION							UNITS PER ASSY	USABLE ON CODE
		1	2	3	4	5	6	7		
132-		ELECTRICAL SYSTEM INSTL								
-1	52SCD2051 52SCB2062	BRACKET INSTL, Camera orient receptacle							1	A
-2	AN3-6A AN365-1032	BRACKET, Camera orient receptacle (ATTACHING PARTS)							1	A
-3	AN3100-16-6S	BOLT							2	A
-4	AN3100-14-9S	NUT							2	A
-5	AN515-4-8 AN960-4 AN365-440	CONNECTOR							1	A
-6	AN3435-4-5	CONNECTOR							1	A
-7	AN515-4-7 AN365-440	SCREW							3	A
-8	52SCC932	WASHER							8	A
-9	AN3100-28-11S	NUT							8	A
-10	AN515-6-8 AN960-6 AN365-632	TERMINAL BLOCK, Electrical (ATTACHING PARTS)							1	A
-11	AN515-4-7 AN365-440	SCREW							2	A
-11a	AN515-4-7 AN365-440	NUT							2	A
-11b	AN515-6-8 AN960-6 AN365-632	JUNCTION BOX MODIFICATION, Nacelle relay RH CONNECTOR (ATTACHING PARTS)							1	A
-12	AN515-6-8 AN960-6 AN365-632	SCREW							4	A
-13	AN515-6-8 AN960-6 AN365-632	WASHER							4	A
-14	AN515-6-8 AN960-6 AN365-632	NUT							4	A
-15	AN3370-2	RELAY							1	A
-16	54E130630	BRACKET, Mounting							1	A
-17	AN4-4A AN365-428	BOLT							4	A
-18	AN520-10-10 AN960D10	NUT							4	A
-19	NAS191-12	SCREW							4	A
-20	AN515-4-7 AN960-4 AN935-4	WASHER							4	A
-21	48174	STRIP ASSY, (Formerly 2062648-12A) (ATTACHING PARTS)							1	A
-22	AN515-4-7 AN960-4 AN935-4	SCREW							2	A
-23	AN515-4-7 AN960-4 AN935-4	WASHER							2	A
-24	AN515-4-7 AN960-4 AN935-4	WASHER							2	A
-25	48174	BUTTON, Plug plated steel (UC)							1	A
-26	AN931-16-30 5275910	GROMMET							1	A
-27	5275910	RELAY INSTL, Bomb salvo relay junction box and selector							1	A
-28	3275859	SUPPORT ASSY, Rack selector relay (ATTACHING PARTS)							1	A
-29	AN515-8-16 2033900-5D035-018	SCREW							3	A
-30	AN960-8	SPACER, 24ST aluminum alloy							3	A
-31	AN515-8-10 AN960-8 AN365-832	WASHER							3	A
-32	AN515-8-10 AN960-8 AN365-832	SCREW							4	A
-33	AN515-8-10 AN960-8 AN365-832	WASHER							4	A
-34	AN515-8-10 AN960-8 AN365-832	NUT							4	A
-35	RS2	RELAY, Rack selector (MAL) (ATTACHING PARTS)							3	A
-36	AN515-8-10 AN960-8	SCREW							4	A
-37	AN515-8-10 AN960-8 AN365-832	WASHER							4	A
-38	2276028	CLIP, Rack selector relay support (ATTACHING PARTS)							2	A
-39	AN515-8-10 AN960-8 AN365-832	SCREW							1	A
-40	AN515-8-10 AN960-8 AN365-832	WASHER							1	A
-41	AN515-8-10 AN960-8 AN365-832	NUT							1	A
-42	5276072	JUNCTION BOX ASSY, Bomb slave relay (ATTACHING PARTS)							1	A
-43	AN515-8-16 2033900-5D035-018	SCREW							3	A
-44	AN960-8	SPACER, 24ST aluminum alloy							3	A
-45	AN365-832	WASHER							6	A
-46	AN515-8-28 2033900-5D035-106	NUT							3	A
-47	AN960-8	SCREW							1	A
-48	AN365-832	SPACER, 24ST aluminum alloy							1	A
-49	1093732	WASHER							1	A
-50	5194530	NUT							1	A
-51	SA3-A	STUD ASSY, Ground							2	A
-52	AN520-416-12 2033900-4S035-004 AN960D416 AN365-428	SWITCH INSTL, Special and alternate radio inertie							1	A
-53	AN520-416-12 2033900-4S035-004 AN960D416 AN365-428	BOX, Switch type SA3/A (GFP) (ATTACHING PARTS)							1	A
-54	AN520-416-12 2033900-4S035-004 AN960D416 AN365-428	SCREW							3	A
-55	AN520-416-12 2033900-4S035-004 AN960D416 AN365-428	SPACER, Chromium molybdenum steel							3	A
-56	AN520-416-12 2033900-4S035-004 AN960D416 AN365-428	WASHER							3	A
-57	AN520-416-12 2033900-4S035-004 AN960D416 AN365-428	NUT							3	A
-58	AN520-416-12 2033900-4S035-004 AN960D416 AN365-428	A USAF 44-34718, 44-34723, 44-35361, 44-35380, 44-35382, 44-35383, 44-35391, 44-35411, 44-35412, 44-35530, 44-35631, 44-35641, 44-35703, 44-35753, 44-35763, 44-35777,								

FIGURE & INDEX NO.	PART NO.								DESCRIPTION	UNITS PER ASSY	USABLE ON CODE
		1	2	3	4	5	6	7			
132-					44-35784,	44-35790,	44-35835,	44-35849,			
					44-35853,	44-35856,	44-35857,	44-35860,			
					44-35867,	44-35868,	44-35872,	44-35876,			
					44-35877,	44-35880,	44-35919,	44-35926,			
					44-35928,	44-35930,	44-35932,	44-35934			

FUSELAGE

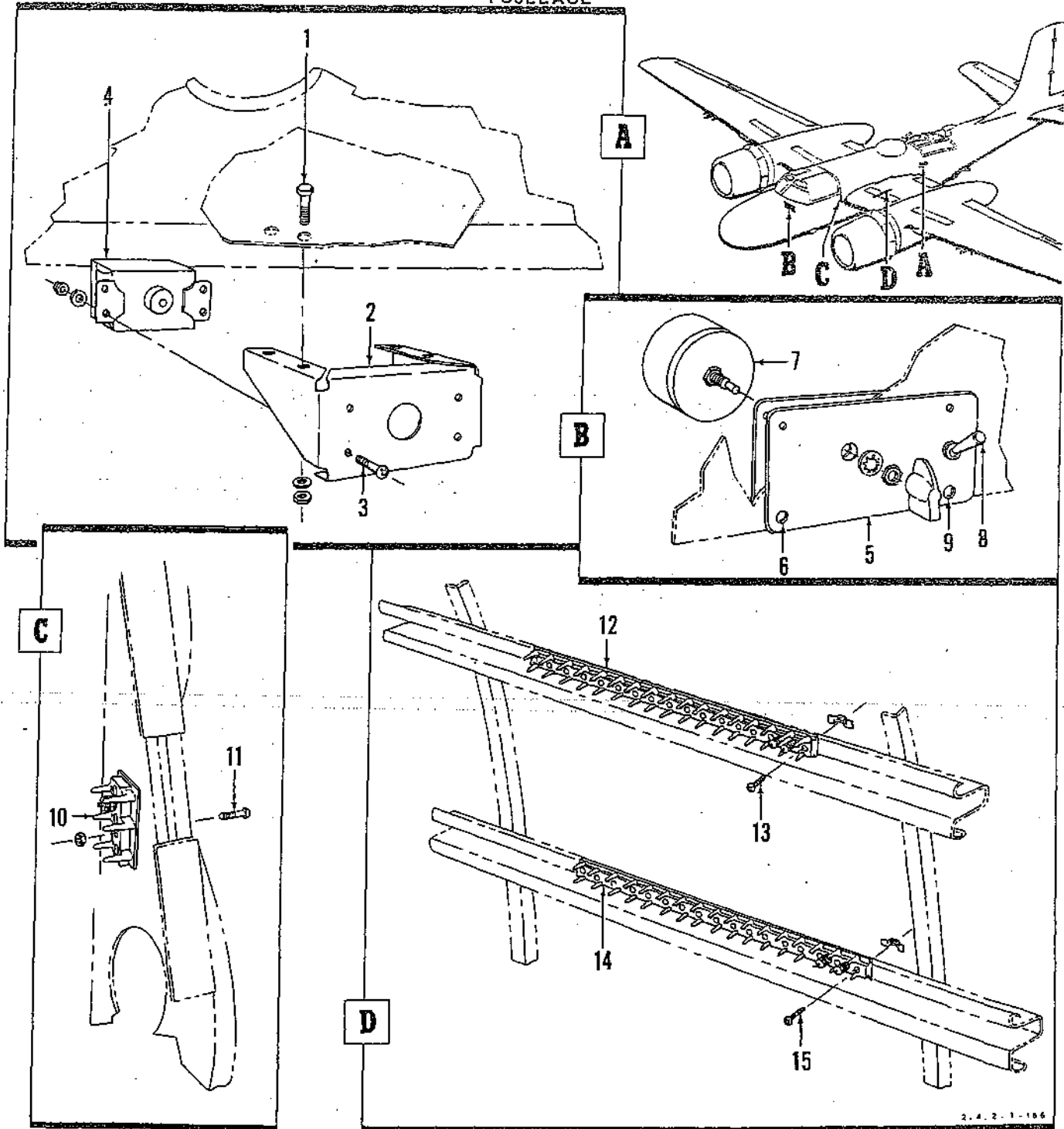


Figure 133. Electrical System Modification Installation

Section II
Group Assembly Parts List

T.O. 1B-26B-4

FIGURE & INDEX NO.	PART NO.	1	2	3	4	5	6	7	DESCRIPTION	UNITS PER ASSY	USABLE ON CODE	
133-		ELECTRICAL SYSTEM MODIFICATION INSTL										
	52SCD450	BRACKET INSTL, Circuit breaker spare inverter								1	A	
	52SCB451	BRACKET ASSY, Circuit breaker 200 ampere								1	A	
		(ATTACHING PARTS)										
-1	AN3-5A	BOLT								4	A	
	AN960-10	WASHER								4	A	
	AN365-1032	NUT								4	A	
		- - - * - - -										
-2	51SCC1250	BRACKET, Circuit breaker support								1	A	
		(ATTACHING PARTS)										
-3	AN520-10R7	SCREW								4	A	
	AN960-10	WASHER								4	A	
	AN365-1032	NUT								4	A	
		- - - * - - -										
-4	43A12832	BREAKER, Kilxon 200 ampere circuit (SPTD)								1	A	
	52SCC533	RHEOSTAT INSTL, Electrical panel flood light								1	A	
	52SCB532	PLATE, Electrical panel flood light								2	A	
		(ATTACHING PARTS)										
-6	ANS15-B-10	SCREW								2	A	
	AN960-8	WASHER								2	A	
	AN365-832	NUT								2	A	
		- - - * - - -										
-7	AN3155-50-25	RHEOSTAT ASSY, Power								1	A	
-8	AN3022-2	SWITCH ASSY								1	A	
		(ATTACHING PARTS)										
-9	ANS15-6-8	SCREW								2	A	
		- - - * - - -										
-10	52SCD922	CIRCUIT INSTL, Terminal strip ground								1	A	
	AN3436-3-2	BLOCK ASSY, Electrical terminal								1	A	
		(ATTACHING PARTS)										
-11	ANS15DD4-7	SCREW								2	A	
	AN365D440A	NUT								2	A	
		- - - * - - -										
-12	51SCC901	TERMINAL BLOCK INSTL, APN-1								1	A	
	AN3436-4-16	BLOCK ASSY, Electrical terminal								1	A	
		(ATTACHING PARTS)										
-13	ANS30-4R8	SCREW								3	A	
	A1776-4Z1	NUT								3	A	
		- - - * - - -										
-14	52SCC438	TERMINAL BLOCK INSTL, ARN7 end APX-6								1	A	
	AN3436-4-16	BLOCK ASSY, Electrical terminal								1	A	
		(ATTACHING PARTS)										
-15	ANS30-4R8	SCREW								5	A	
	A1776-4Z1	NUT, Speed (Tin)								5	A	
		- - - * - - -										
		A USAF 44-34718, 44-34723, 44-35361, 44-35380, 44-35382, 44-35383,										
		44-35391, 44-35411, 44-35412, 44-35530, 44-35631, 44-35641,										
		44-35703, 44-35753, 44-35763, 44-35777, 44-35784, 44-35790,										
		44-35835, 44-35849, 44-35858, 44-35856, 44-35857, 44-35860,										
		44-35867, 44-35868, 44-35872, 44-35876, 44-35877, 44-35880,										
		44-35919, 44-35926, 44-35928, 44-35930, 44-35932, 44-35934.										

FUSELAGE

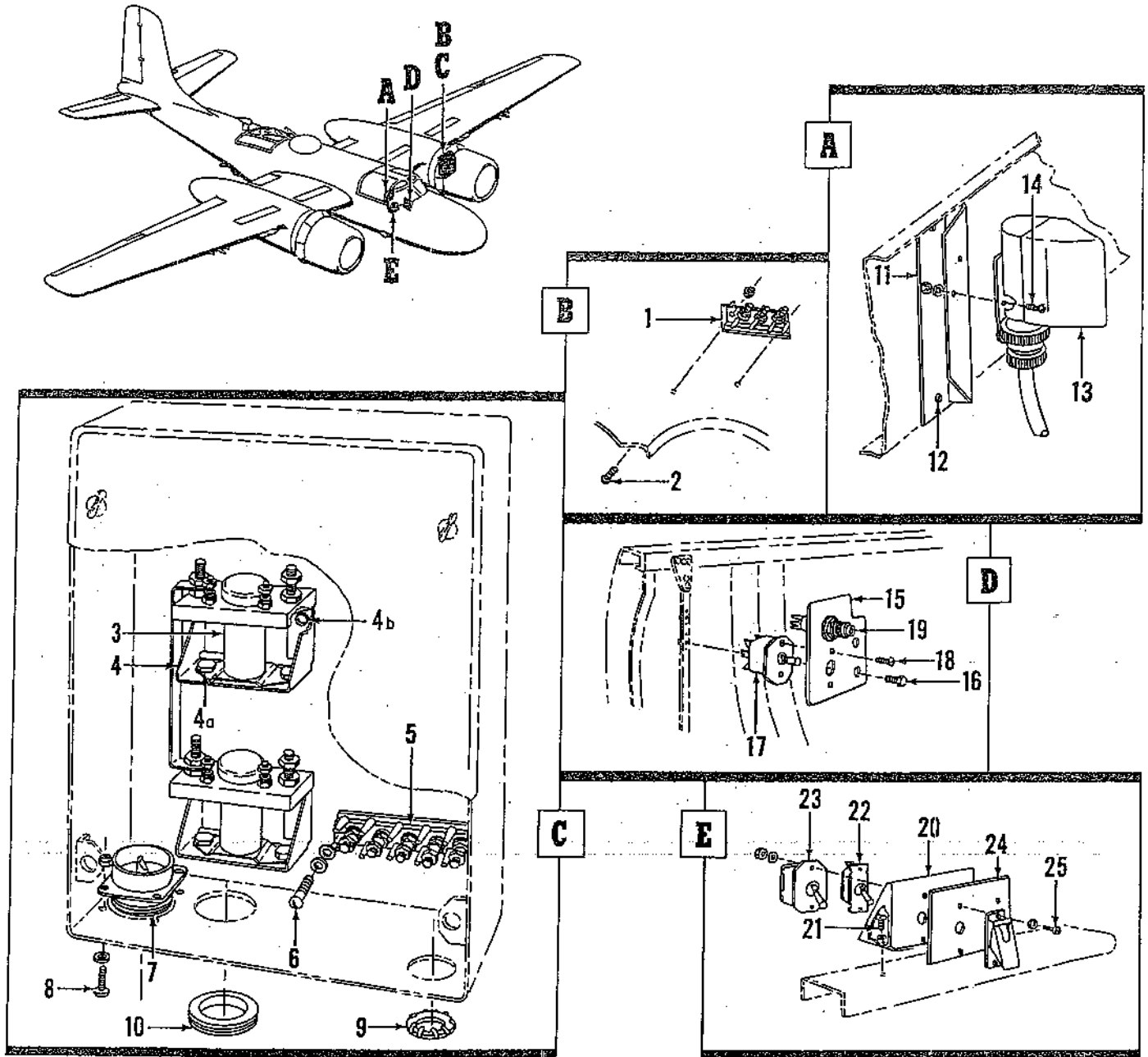


Figure 134. Electrical System Modification

Section II

T.O. 1B-26B-4

Group Assembly Parts List

FIGURE & INDEX NO.	PART NO.	1 2 3 4 5 6 7	DESCRIPTION	UNITS PER ASSY	USABLE ON CODE
134-			ELECTRICAL SYSTEM MODIFICATION		
-1	52SCD921 AN3436-1-3		ACTUATOR INSTL, Terminal block oil cooler door.....	1	A
			TERMINAL BLOCK ASSY.....	1	A
			(ATTACHING PARTS)		
-2	AN515-4-7 AN365-440		SCREW.....	2	A
			NUT.....	2	A
			-----*		
-3	52SCC933 AN3370-2		JUNCTION BOX MODIFICATION, Nacelle relay LH.....	1	A
-4	54B130630		RELAY.....	2	
-4a	AN4-4A		BRACKET, Mounting.....	2	
	AN365-428		BOLT.....	4	
	AN520-10-10		NUT.....	4	
-4b	AN960D10		SCREW.....	4	
	NAS191-12		WASHER.....	4	
-5			STRIP ASSY, (Formerly 2062648-12A).....	1	A
			(ATTACHING PARTS)		
-6	AN515-4-7 AN960-4 AN935-4		SCREW.....	2	A
			WASHER.....	2	A
			WASHER.....	2	A
			-----*		
-7	AN3100-28-11S		CONNECTOR.....	1	A
			(ATTACHING PARTS)		
-8	AN515-6-8 AN960-6 AN365-632		SCREW.....	4	A
			WASHER.....	4	A
			NUT.....	4	A
			-----*		
-9	48174		PLUG, Button (VC).....	1	A
-10	AN931-16-30 52SCD461		GROMMET.....	1	A
	52SCB462		PILOT LAMP INSTL, Type A-11.....	1	A
-11			BRACKET, Cockpit lamp mount.....	1	A
			(ATTACHING PARTS)		
-12	AN515-8-6 AN960-8 AN365-832		SCREW.....	2	A
			WASHER.....	2	A
			NUT.....	2	A
			-----*		
-13	No Number		LAMP ASSY, Type A-11 (US Army Spec 94-32220-A(2)) (GMC).....	1	A
			(ATTACHING PARTS)		
-14	AN515-6R6 AN960-6 AN365-632		SCREW.....	2	A
			WASHER.....	2	A
			NUT.....	2	A
			-----*		
-15	51SCC1254 51SCB1253 51SCB1252		CONTROL PANEL INSTL, Pilot inverter.....	1	A
			PANEL ASSY, Pilot inverter control.....	1	A
			PLATE, Pilot inverter control panel.....	1	A
			(ATTACHING PARTS)		
-16	AN3-4A AN960-10		BOLT.....	2	A
			WASHER.....	2	A
			-----*		
-17	AN3023-1		SWITCH.....	1	A
			(ATTACHING PARTS)		
-18	AN515-6-5		SCREW.....	2	A
			-----*		
-19	AN3157-4 51SCD881 51SCC882 51SCC883		LIGHT ASSY.....	1	A
			CONTROL SWITCH INSTL, ARA-8 homing adapter.....	1	A
-20			SWITCH ASSY, Control JAN type MX-369/ARA-8.....	1	A
			BRACKET, Mounting.....	1	A
			(ATTACHING PARTS)		
-21	AN526-1032R8 6981		SCREW.....	2	A
			RIVET, Threaded two piece steel head aluminum.....	2	A
			alloy barrel (DL)		
			-----*		
-22	AN3022-2		SWITCH.....	1	A
-23	AN3023-1		SWITCH.....	1	A
-24	MX369-ARAB		ESCUTCHEON ASSY, JAN type MX-369/ARA-8.....	1	A
			(ATTACHING PARTS)		
-25	AN526-1032R8 AN960-10		SCREW.....	2	A
			WASHER.....	2	A
			-----*		
			A USAF 44-34718, 44-34723, 44-35361, 44-35380, 44-35382, 44-35383, 44-35391, 44-35411, 44-35412, 44-35530, 44-35631, 44-35641, 44-35703, 44-35753, 44-35763, 44-35777, 44-35784, 44-35790, 44-35835, 44-35849, 44-35853, 44-35856, 44-35857, 44-35860, 44-35867, 44-35868, 44-35872, 44-35876, 44-35877, 44-35880, 44-35919, 44-35926, 44-35928, 44-35930, 44-35932, 44-35934.		

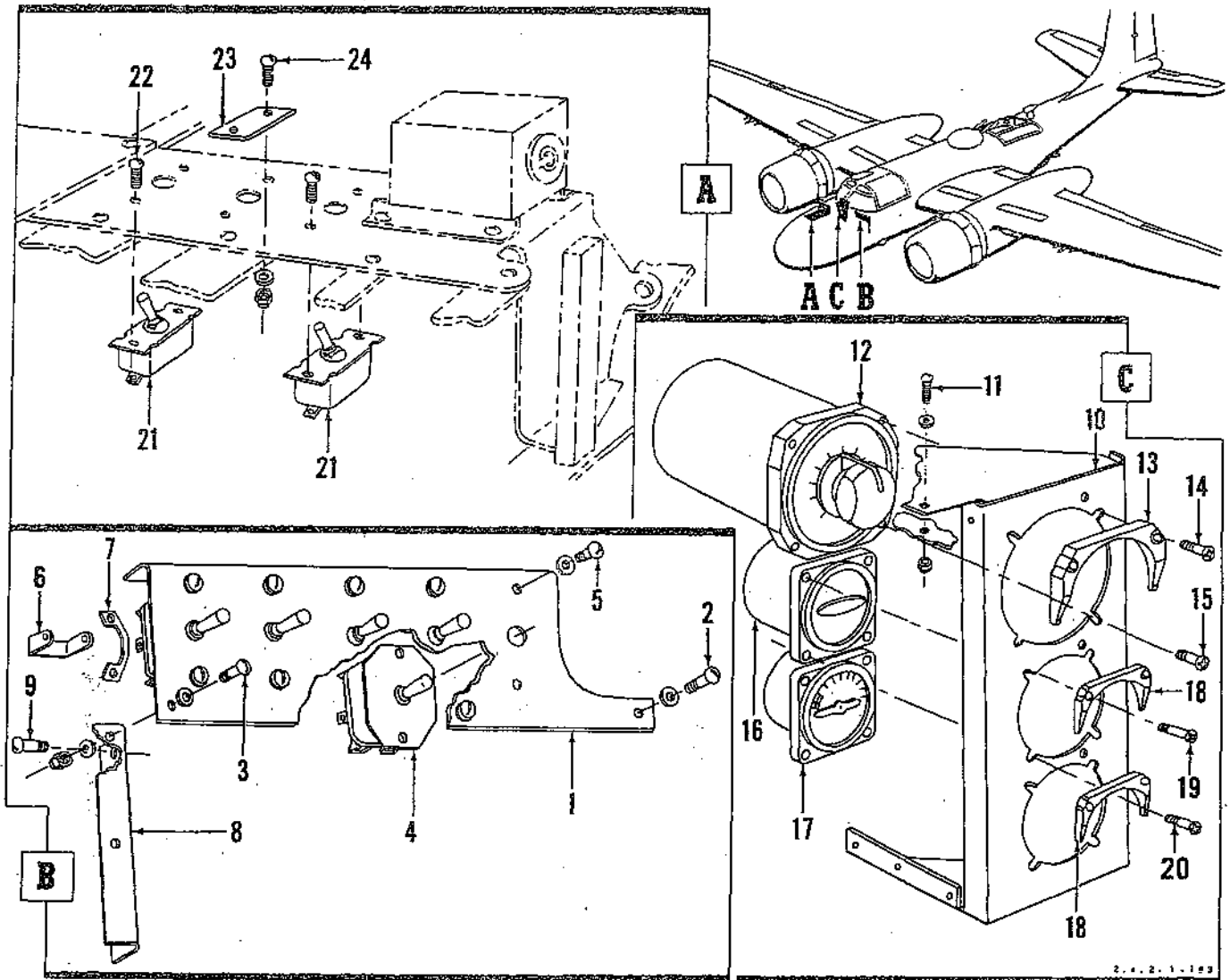


Figure 135. Electrical System Modification

FIGURE & INDEX NO.	PART NO.	1 2 3 4 5 6 7	DESCRIPTION	UNITS PER ASSY	USABLE ON CODE
135			ELECTRICAL SYSTEM MODIFICATION		
-1	5280886 4280857		SWITCH PANEL INSTL, Booster pump complete	1	A
-2	AN520-10-18 AN960D10		BRACKET, Bodater pump switch panel (ATTACHING PARTS)	1	A
-3	AN520-10-6 AN960D10		SCREW	2	A
-4	AN3023-1		WASHER	2	A
-5	AN515DD6-6 AN960D6		SCREW	1	A
-6	1154372-4		WASHER	1	A
-7	1194896		NUT	1	A
-8	2280858		SWITCH (ATTACHING PARTS)	5	A
-9	AN520-10-12 AN960D10		SCREW	2	A
	52SCC2052		WASHER	2	A
			BUS BAR, Electrical switch connector	5	A
			BAR, Double pole switch terminal connecting	5	A
			CLIP, Booster pump switch panel (ATTACHING PARTS)	1	A
			SCREW	1	A
			WASHER	1	A
			PANEL INSTL, Navigator instrument	1	A

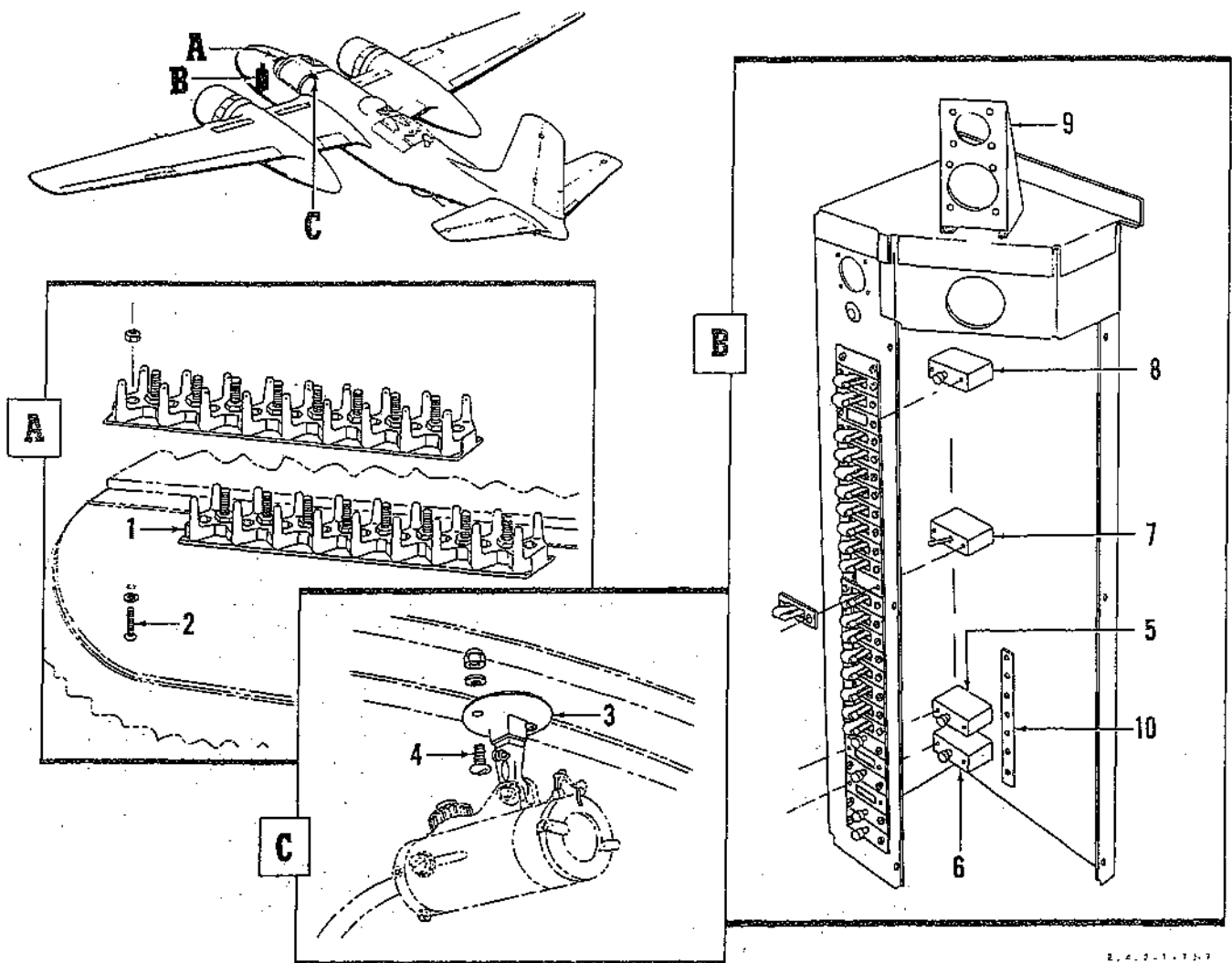


Figure 136. Electrical System Modification

FIGURE & INDEX NO.	PART NO.	1 2 3 4 5 6 7	DESCRIPTION	UNITS PER ASSY	USABLE ON CODE
136-			ELECTRICAL SYSTEM MODIFICATION		
-1	52SCD507 AN3436-4-8		TERMINAL BLOCK INSTL, Red ring light	1	A
-2	ANS15-4-7 AN960-4 AN365-440		TERMINAL BLOCK ASSY (ATTACHING PARTS)	2	A
			SCREW	3	A
			WASHER	3	A
			NUT	3	A
-3	52SCD595 SA1893A		LAMP BASE INSTL, Pilot	1	A
			BASE ASSY, Lamp (SAI) (ATTACHING PARTS)	1	A
-4	ANS20-8-12 AN960D8 AN365-832		SCREW	2	A
			WASHER	2	A
			NUT	2	A
-5	52SCJ459 MS25005-5		JUNCTION BOX MODIFICATION, Station O	1	A
-6	MS25005-10		CIRCUIT BREAKER	4	A
-7	MS25003-5		CIRCUIT BREAKER	2	A
-8	MS25005-15		CIRCUIT BREAKER	4	A
			CIRCUIT BREAKER	1	A

Group Assembly Parts List

FIGURE & INDEX NO.	PART NO.	I 2 3 4 5 6 7	DESCRIPTION	UNITS PER ASSY	USABLE ON CODE
136-9 -10	52SCB1277 52SCA460		RECEPTACLE BRACKET, Radio end fluxgate disconnect..... JUNCTION BOX BUS	1 1	A A
		A USAF	44-34718, 44-34723, 44-35361, 44-35380, 44-35382, 44-35383, 44-35391, 44-35411, 44-35412, 44-35530, 44-35631, 44-35641, 44-35703, 44-35753, 44-35763, 44-35777, 44-35784, 44-35790, 44-35835, 44-35849, 44-35858, 44-35856, 44-35857, 44-35860, 44-35867, 44-35868, 44-35872, 44-35876, 44-35877, 44-35880, 44-35919, 44-35926, 44-35928, 44-35930, 44-35932, 44-35934		

FUSELAGE

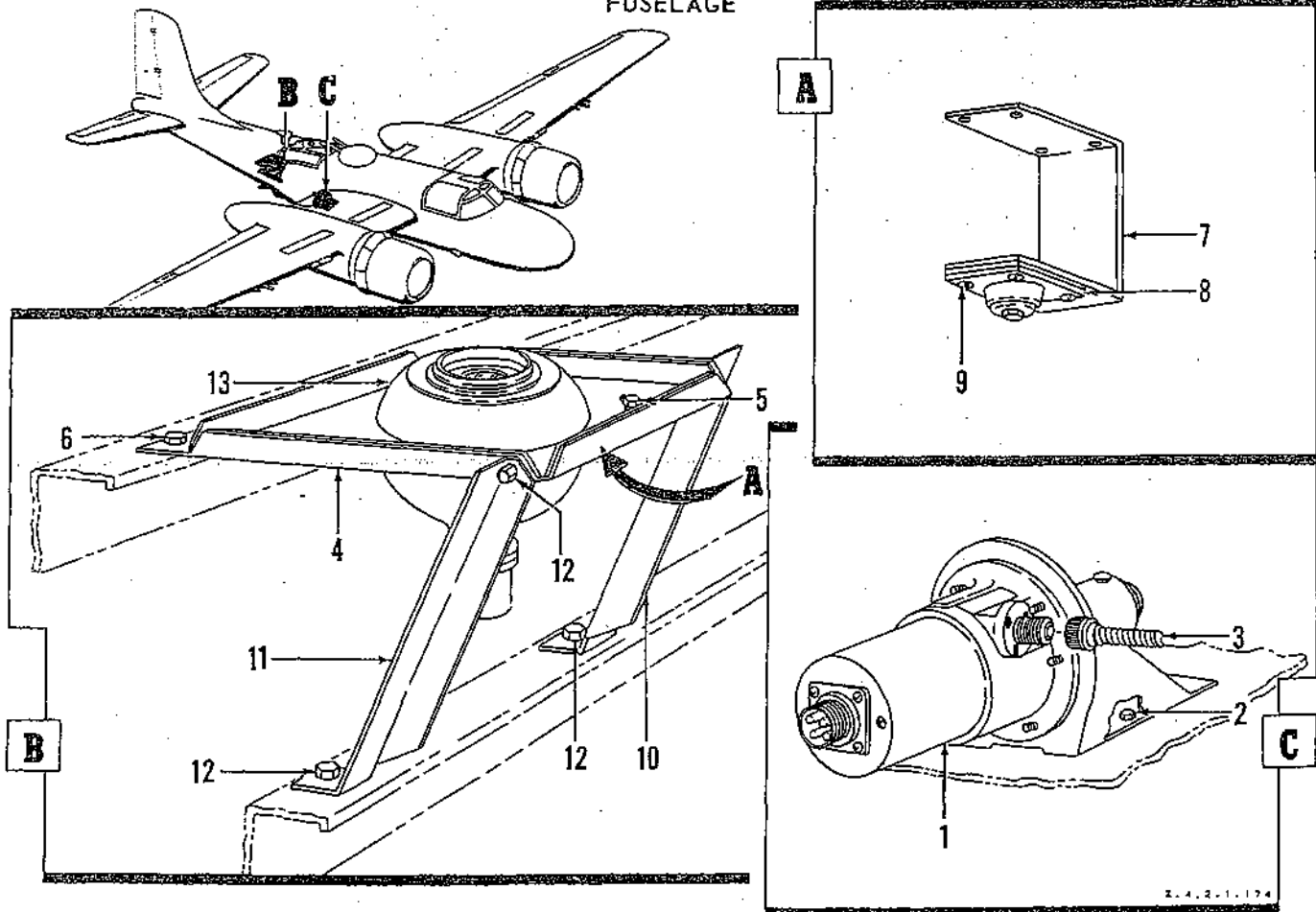


Figure 137. Fluxgate Compass Motor and Transmitter Installation

FIGURE & INDEX NO.	PART NO.	DESCRIPTION							UNITS PER ASSY	USABLE ON CODE
		1	2	3	4	5	6	7		
137-		FLUXGATE COMPASS MOTOR AND TRANSMITTER INSTL								
	51SCC1005	GYRO CAGING MOTOR INSTL, Fluxgate compass							1	A
-1	AN5754-2	MOTOR							1	A
		(ATTACHING PARTS)								
-2	AN4-5A	BOLT							2	A
	AN960-416	WASHER							2	A
	AN365-428	NUT							2	A
		-----*								
-3	P8633-72	SHAFT ASSY, Flexible (FIS)							1	A
	51SCD1262	TRANSMITTER INSTL, Fluxgate compass							1	A
	51SCD1263	MOUNT ASSY, Fluxgate compass transmitter							1	A
	51SCD1264	BRACKET ASSY, Transmitter mount							1	A
		(ATTACHING PARTS)								
-3	AN3DD4A	BOLT							3	A
	AN960D10	WASHER							3	A
	AN365D1032	NUT							3	A
		-----*								
	51SCD1265	TRAY ASSY, Transmitter mount							1	A
		(ATTACHING PARTS)								
-6	AN3DD4A	BOLT							4	A
	AN960D10	WASHER							4	A
		-----*								
-7	51SCA1267	TRAY CLIP							2	
-8	AN8008D4	INSULATOR							3	A
		(ATTACHING PARTS)								
-9	AN515B6-6	SCREW							4	A
	AN935B6	WASHER							4	A
	AN340B6	NUT							4	A
		-----*								
-10	51SCB1268	LEG MOUNT, Aft							1	A
-11	51SCB1269	LEG MOUNT, Forward							1	A
		(ATTACHING PARTS)								
-12	AN3DD4A	BOLT							2	A
	AN960D10	WASHER							2	A
	AN365D1032	NUT							2	A
		-----*								
-13	AN5751-1	TRANSMITTER							1	A
		A USAF 44-34718, 44-34723, 44-35361, 44-35380, 44-35382,								
		44-35383, 44-35391, 44-35411, 44-35412, 44-35530,								
		44-35631, 44-35641, 44-35703, 44-35753, 44-35763,								
		44-35777, 44-35784, 44-35790, 44-35835, 44-35849,								
		44-35853, 44-35856, 44-35857, 44-35860, 44-35867,								
		44-35868, 44-35872, 44-35876, 44-35877, 44-35880,								
		44-35919, 44-35926, 44-35928, 44-35930, 44-35932,								
		44-35934								

Section II
Group Assembly Parts List

T.O. 1B-268-4
FUSELAGE

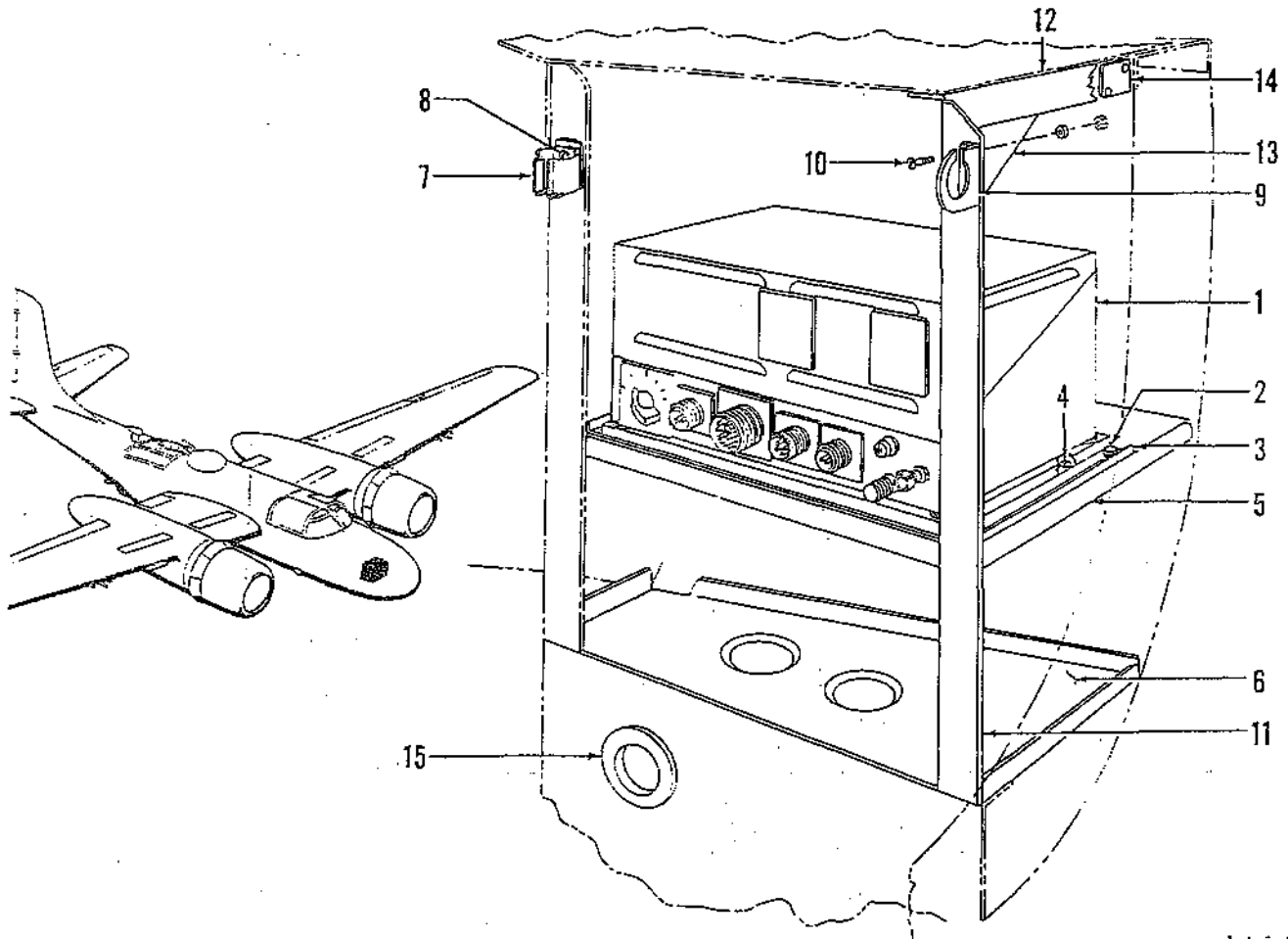


Figure 138. Gyro Fluxgate Compass Amplifier Installation

1. 4. 2. 1. 172

FIGURE & INDEX NO.	PART NO.	1 2 3 4 5 6 7	DESCRIPTION	UNITS PER ASSY	USABLE ON CODE
138-	52SCF414		AMPLIFIER INSTL, Gyro fluxgate compass	1	A
-1	AN5753-1A		AMPLIFIER	1	A
-2	AN3-4A		(ATTACHING PARTS)		
	AN960-10		BOLT	4	A
	AN365-1032		WASHER	4	A
			NUT	4	A
-3	52SCB417		PLATE, Amplifier mounting	1	A
			(ATTACHING PARTS)		
-4	AN507-632-10		SCREW	4	A
	AN960-6		WASHER	4	A
	AN365-632		NUT	4	A
-5	52SCC416		RIB, Amplifier upper support	1	A
-6	52SCC415		RIB, Amplifier lower support	1	A
-7	A3278-1		CONNECTOR ASSY (TIN)	2	A
			(ATTACHING PARTS)		
-8	AN515-6-6		SCREW	2	A
	AN960-6		WASHER	2	A
	AN365-632		NUT	2	A
-9	41-1150		HANGER, Headset	1	A
			(ATTACHING PARTS)		
-10	AN515-8-7		SCREW	2	A
	AN960-8		WASHER	2	A
	AN365-832		NUT	2	A
-11	52SCA419-1		ANGLE, Amplifier support	1	A

FIGURE & INDEX NO.	PART NO.	1	2	3	4	5	6	7	DESCRIPTION	UNITS PER ASSY	USABLE ON CODE
138-12	52SCA419-2								ANGLE, Amplifier support	1	A
-13	52SCA418								GUSSET, Amplifier support	1	A
-14	52SCA420								CLIP, Amplifier support	1	A
-15	AN931-24-28								GROMMET	1	A
		A	USAF	44-34718,	44-34723,	44-35361,	44-35380,				
				44-35382,	44-35383,	44-35391,	44-35411,				
				44-35412,	44-35530,	44-35631,	44-35641,				
				44-35703,	44-35753,	44-35763,	44-35777,				
				44-35784,	44-35790,	44-35835,	44-35849,				
				44-35853,	44-35856,	44-35857,	44-35860,				
				44-35867,	44-35868,	44-35872,	44-35876,				
				44-35877,	44-35880,	44-35919,	44-35926,				
				44-35928,	44-35930,	44-35932,	44-35934.				

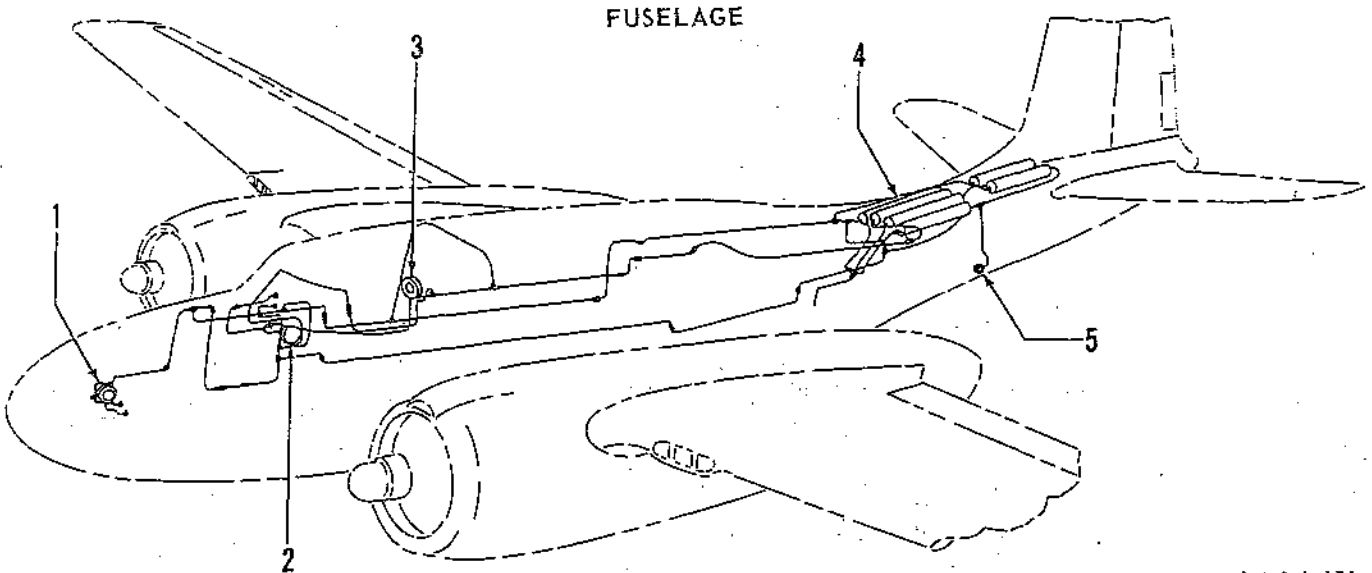


Figure 139. Complete Oxygen System Installation

3442-1-176

FIGURE & INDEX NO.	PART NO.	1	2	3	4	5	6	7	DESCRIPTION	UNITS PER ASSY	USABLE ON CODE
139-	52SCK434								OXYGEN SYSTEM INSTL, Complete	1	A
-1	52SCC939								REGULATOR INSTL, Bombardier oxygen (see figure 140)	1	A
-2	52SCC571								REGULATOR INSTL, Navigator oxygen (see figure 140)	1	A
-3	52SCD2051								PANEL INSTL, Pilot oxygen regulator (see figure 140)	1	A
-4	51SCJ1582								CYLINDER INSTL, Oxygen (see figure 141)	5	A
-5	51SCC1580								VALVE INSTL, Oxygen filler (see figure 141)	1	A
		A	USAF	41-34499A,	41-39105A,	41-39352A,	41-39423A,	43-39571A,			
				43-22478A,	43-22537A,	43-22546A,	43-22657A,	43-22692A,			
				43-22724A,	43-22744A,	43-22746A,	44-34718,	44-34723,			
				44-35361,	44-35380,	44-35382,	44-35383,	44-35391,	44-35411,		
				44-35412,	44-35530,	44-35631,	44-35641,	44-35703,	44-35753,		
				44-35763,	44-35777,	44-35784,	44-35790,	44-35835,	44-35849,		
				44-35853,	44-35856,	44-35857,	44-35850,	44-35867,	44-35868,		
				44-35872,	44-35876,	44-35877,	44-35880,	44-35919,	44-35926,		
				44-35928,	44-35930,	44-35932,	44-35934				

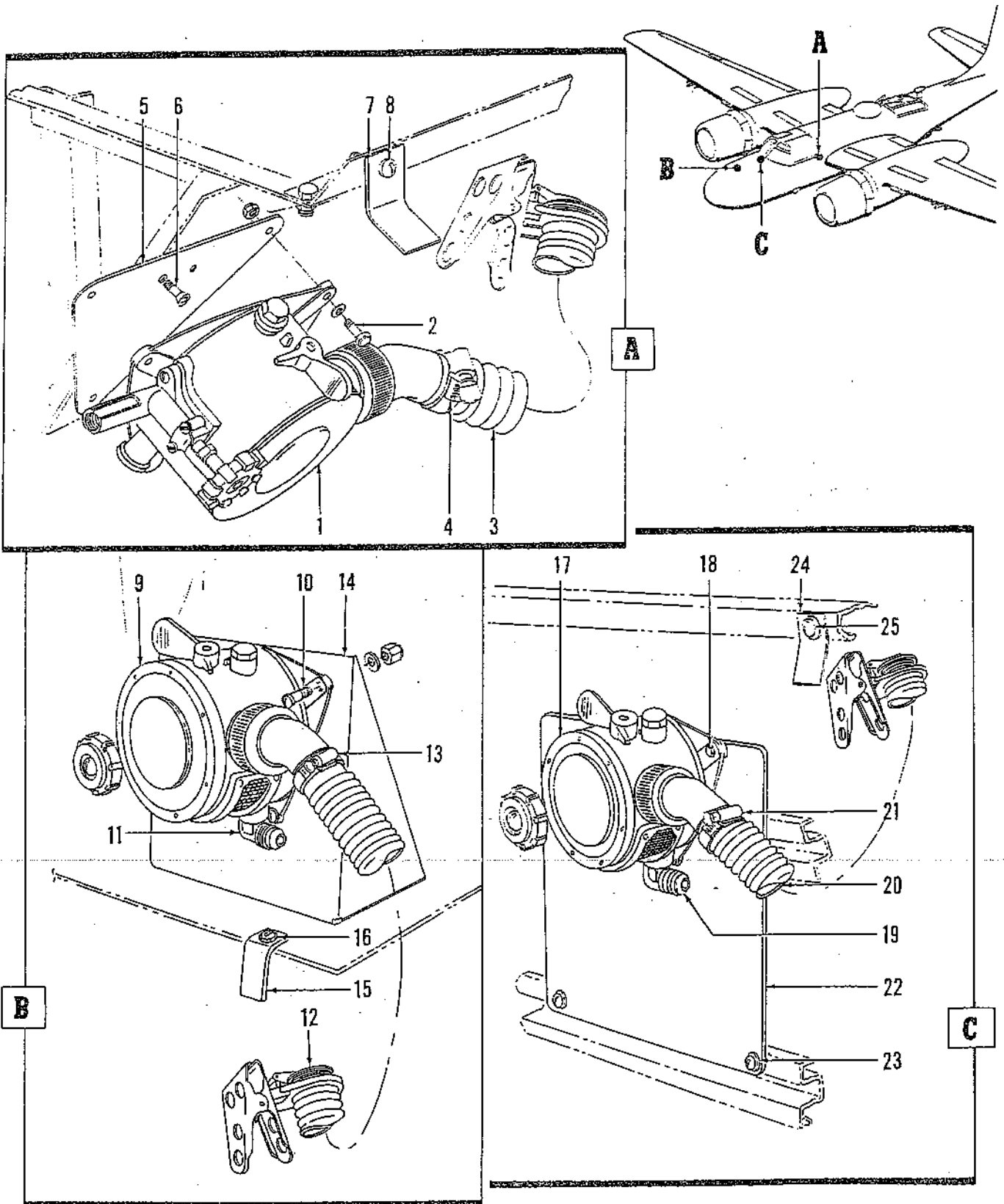


Figure 140. Oxygen System Regulators

2.4.2-1.780

FIGURE & INDEX NO.	PART NO.	1 2 3 4 5 6 7	DESCRIPTION	UNITS PER ASSY	USABLE ON CODE
140-			OXYGEN SYSTEM REGULATORS		
-1	52SCD2051 AN6004-1		PANEL INSTL, Pilot oxygen regulator (see figure 139)	Ref 1	A A
			REGULATOR		
			(ATTACHING PARTS)		
-2	AN3-11A AN960D10 AN365-1032		BOLT	3	A
			WASHER	3	A
			NUT	3	A
			-----*		
-3	AN6003-4A		TUBE ASSY	1	A
			(ATTACHING PARTS)		
-4	AN737TW34-38		CLAMP	1	A
			-----*		
-5	52SCC2050 52SCA948		PANEL ASSY, Pilot oxygen regulator mount	1	A
			PLATE, Pilot oxygen regulator mount	1	A
			(ATTACHING PARTS)		
-6	AN507-10R8 AN960-10 AN365-1032		SCREW	2	A
			WASHER	2	A
			NUT	2	A
			-----*		
-7	43A17636		STRAP ASSY, Oxygen regulator tube	1	A
			(ATTACHING PARTS)		
-8	AN526-1032-12 AN365-1032		SCREW	1	A
			NUT	1	A
			-----*		
-9	52SCC939 AN6004		REGULATOR INSTL, Bombardier oxygen (see figure 139)	Ref 1	A A
			REGULATOR		
			(ATTACHING PARTS)		
-10	AN526-1032-8 AN960-10 AN365-1032		SCREW	3	A
			WASHER	3	A
			NUT	3	A
			-----*		
-11	AN822-5D		ELBOW	1	A
-12	AN6003-4A		TUBE ASSY	1	A
			(ATTACHING PARTS)		
-13	AN737TW34-38		CLAMP	1	A
			-----*		
-14	52SCB938		BRACKET, Oxygen regulator mount	1	A
			(ATTACHING PARTS)		
	AN526-1032-8 AN960-10 AN365-1032		SCREW	4	A
			WASHER	4	A
			NUT	4	A
			-----*		
-15	43A17636		STRAP ASSY, Oxygen regulator tube	1	A
			(ATTACHING PARTS)		
-16	AN515-8-8 AN960-8 AN960-3 AN365-832		SCREW	1	A
			WASHER	1	A
			WASHER	1	A
			NUT	1	A
			-----*		
-17	52SCC571 AN6004		REGULATOR INSTL, Navigator oxygen (see figure 139)	Ref 1	A A
			REGULATOR		
			(ATTACHING PARTS)		
-18	AN3-6		BOLT	3	A
			-----*		
-19	AN822-5D		ELBOW	1	A
-20	AN6003-4A		TUBE ASSY	1	A
			(ATTACHING PARTS)		
-21	AN737TW34-38		CLAMP	1	A
			-----*		
-22	52SCC572		PANEL ASSY, Oxygen regulator	1	A
			(ATTACHING PARTS)		
-23	AN504-8-8 AN960-8 A6049-8		SCREW	4	A
			WASHER	4	A
			NUT (TIN)	4	A
			-----*		
-24	43A17636		STRAP ASSY, Oxygen regulator tube	1	A
			(ATTACHING PARTS)		
-25	AN526-1032-12 AN960D10 AN970-3 AN365-1032		SCREW	1	A
			WASHER	1	A
			WASHER	1	A
			NUT	1	A
			-----*		
		A USAF	44-34639, 44-34718, 44-34723, 44-35361, 44-35380, 44-35382, 44-35383, 44-35391, 44-35400, 44-35402, 44-35407, 44-35411, 44-35412, 44-35432, 44-35530, 44-35540, 44-35631, 44-35635, 44-35639, 44-35641, 44-35652, 44-35680, 44-35703, 44-35753, 44-35760, 44-35763, 44-35777, 44-35784, 44-35790, 44-35835, 44-35849, 44-35853, 44-35856, 44-35857, 44-35860, 44-35861, 44-35867, 44-35868, 44-35872, 44-35876, 44-35877, 44-35880, 44-35881, 44-35882, 44-35887, 44-35892, 44-35893, 44-35901, 44-35902, 44-35908, 44-35919, 44-35926, 44-35928, 44-35930, 44-35932, 44-35934.		

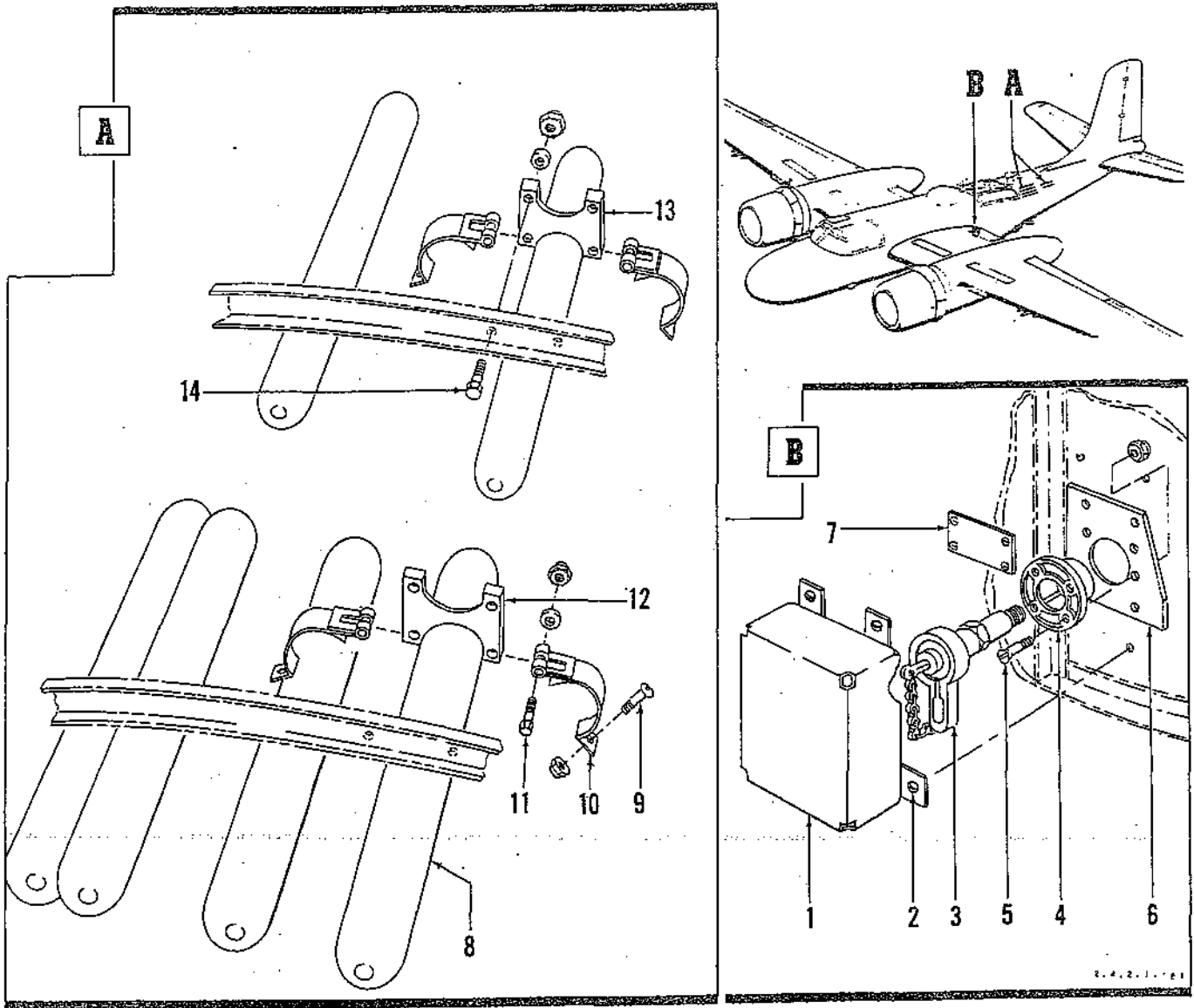


Figure 141. Oxygen System, Filler Valve and Cylinder

FIGURE & INDEX NO.	PART NO.	DESCRIPTION							UNITS PER ASSY	USABLE ON CODE
		1	2	3	4	5	6	7		
141-		OXYGEN SYSTEM, FILLER VALVE AND CYLINDER								
-1	869141 4282031	COVER INSTL, Oxygen filler valve							1	A
-2	A3-20 S3-175	COVER ASSY, Oxygen filler valve (ATTACHING PARTS)							1	A
-3	51SCC1580	FASTENER (DZ)							4	A
-4	AN6024-5 41A5317	SPRING (DZ)							4	A
-5	AN510-10-8 AN365-1032	VALVE INSTL, Oxygen filler (see figure 139)							Ref	A
-6	51SCB1581	VALVE							1	A
-7	42A12374 51SCJ1582	FLANGE, Oxygen filler valve (ATTACHING PARTS)							1	A
-8	No Number	SCREW							4	A
-9	AN520-10-20 AN365-1032	NUT							4	A
-10	44D252-6	DOUBLER, Oxygen filler valve							1	A
-11	AN3-12 AN960-10 AN365-1032	PLATE, Low pressure oxygen equipment filler valve							1	A
-12	48B3657-1	CYLINDER INSTL, Oxygen (see figure 139)							Ref	A
-13	48B3657-2	CYLINDER, Oxygen type F-2 (Spec MIL-C-5889) (ATTACHING PARTS)							5	A
-14	AN3-3A AN960-10 AN365-1032	SCREW							2	A
		NUT							2	A
		STRAP, Oxygen cylinder (ATTACHING PARTS)							24	A
		BOLT							1	A
		WASHER							1	A
		NUT							1	A
		BRACKET, Oxygen cylinder forward							8	A
		BRACKET, Oxygen cylinder aft (ATTACHING PARTS)							4	A
		BOLT							4	A
		WASHER							4	A
		NUT							4	A
		A USAF 44-34639, 44-34718, 44-34723, 44-35361, 44-35380, 44-35382, 44-35383, 44-35391, 44-35400, 44-35402, 44-35407, 44-35411, 44-35412, 44-35432, 44-35530, 44-35540, 44-35631, 44-35635, 44-35639, 44-35641, 44-35652, 44-35680, 44-35703, 44-35753, 44-35760, 44-35763, 44-35777, 44-35784, 44-35790, 44-35835, 44-35849, 44-35853, 44-35856, 44-35857, 44-35860, 44-35861, 44-35867, 44-35868, 44-35872, 44-35876, 44-35877, 44-35880, 44-35881, 44-35882, 44-35887, 44-35892, 44-35893, 44-35901, 44-35902, 44-35908, 44-35919, 44-35926, 44-35928, 44-35930, 44-35932, 44-35934								

INFORMATION UNAVAILABLE AT TIME OF PUBLICATION

FIGURE & INDEX NO.	PART NO.	DESCRIPTION							UNITS PER ASSY	USABLE ON CODE
		1	2	3	4	5	6	7		
142-	5153147 5153147-12	ENCLOSURE INSTL, Gunner (see figure 40)							Ref	
		ENCLOSURE ASSY, Gunner complete							1	
		(ATTACHING PARTS)								
-1	AN4-6A	BOLT							28	
	AN365-428	NUT							28	
-2	AN4-7A	BOLT							6	
	AN960D416	WASHER							6	
	5193198	STRUCTURE ASSY, Gunner enclosure							1	
-3	5193099	STRUCTURE ASSY, Upper sighting station support							1	
		(ATTACHING PARTS)								
-4	AN4-4A	BOLT							2	
-5	AN507-1032-8	SCREW							12	
	AN365-1032	NUT							12	
-6	1029679P10-8	SCREW, Slotted roundhead							4	
	AN365-1032	NUT							4	
-7	1192370	PLATE, Gunner escape door striker							2	
		(ATTACHING PARTS)								
-8	AN520-10R8	SCREW							2	
	AN960-10	WASHER							2	
	AN365-1032	NUT							2	
-9	5193094	PANEL ASSY, Gunner upper window							1	
-10	5128684	BLISTER ASSY, Gunner enclosure LH							1	
	5128684-1	BLISTER ASSY, Gunner enclosure RH							1	
-11	1192366	BRACKET, Door hinge LH							2	
	1192366-1	BRACKET, Door hinge RH							2	
		(ATTACHING PARTS)								
-12	NAS222-11	SCREW (Formerly 1029679P416-10)							2	
	AN365-428	NUT							2	
-13	AN5-10A	BOLT							1	
	AN960-516	WASHER							1	
	AN365-524	NUT							1	
-14	2192184	HINGE, Door							2	
-15	5153147-2	STRIP, Gunner enclosure seal retainer LH							1	
-16	5153147-3	STRIP, Gunner enclosure seal retainer RH							1	
-17	5153147-4	STRIP, Gunner enclosure seal retainer LH							1	
-18	5153147-5	STRIP, Gunner enclosure seal retainer RH							1	
-19	5153147-8	STRIP, Gunner enclosure seal retainer forward LH							1	
-20	5153147-9	STRIP, Gunner enclosure seal retainer forward RH							1	
-21	5153147-10	STRIP, Gunner enclosure seal retainer							1	
-22	5153147-6	STRIP, Gunner enclosure seal retainer aft							1	
		(ATTACHING PARTS)								
-23	AN507-1032-8	SCREW							AR	
	AN365-1032	NUT							AR	
	5277809	DOOR ASSY, Gunner escape							1	
-24	5277809-44	CHANNEL ASSY, Gunner escape door							1	
-25	5277809-46	CHANNEL ASSY, Gunner escape door LH							1	
	5277809-47	CHANNEL ASSY, Gunner escape door RH							1	
-26	5277809-54	CHANNEL ASSY, Gunner escape door							1	
-27	3277501	DOOR ASSY, Emergency release access							1	
-28	AN426AD4	Rivet							3	
-29	2277572	Strike							1	
-30	AN426AD3	Rivet							4	
-31	2277573	Handle							1	
-32	1193352-2	BRACKET, Pilot access door jettison hinge LH							1	
-33	1193352-3	BRACKET, Pilot access door jettison hinge RH							1	
-34	1192367-2	BRACKET, Access door hinge LH							1	
-35	1192367-3	BRACKET, Access door hinge RH							1	
		(ATTACHING PARTS)								
-36	AN3-5A	BOLT							2	
	AN960D10	WASHER							2	
	AN365-1032	NUT							2	
-37	AN3-10A	BOLT							2	
-38	NAS43DD3-18	SPACER (Formerly 117425-3D009)							2	
-39	AN960D10	WASHER							2	
-40	AN365-1032	NUT							2	
-41	2192663	RELEASE ASSY, Gunner enclosure escape door							1	
		(ATTACHING PARTS)								
-42	1142960	PIN, Gunner escape door							1	
-43	146142-125-021	PIN, Cadmium plated bar steel							1	
-44	AN210-1A	PULLEY							1	
-45	AN3-11A	BOLT							1	
-46	2033901-8D193-009	SPACER, 17ST aluminum alloy							1	
-47	AN365-1032	NUT							1	
-48	2192650	BRACKET, Gunner enclosure escape door jettison							1	
		(ATTACHING PARTS)								
-49	AN3-5A	BOLT							4	
	AN960D10	WASHER							4	

Section II
Group Assembly Parts List

T.O. 1B-26B-4

FIGURE & INDEX NO.	PART NO.	DESCRIPTION							UNITS PER ASSY	USABLE ON CODE
		1	2	3	4	5	6	7		
142-	AN365-1032								4	
-50	5277809-42								1	
-51	2192648								1	
-52	146142-125-021								1	
-53	1192354								1	
-54	AN507-1032-8								2	
	AN960D10								2	
	AN365-1032								2	
-55	2192643								1	
-56	AN507-1032-40								1	
	1026614-3-131								1	
	AN960-10L								1	
	AN364-1032								1	
-57	2192704								2	
-58	AN23-11								2	
	AN320-3								2	
-59	1193236								1	
-60	AN392-11								1	
-61	1193315								1	
-62	1151330								1	
-63	1193224								1	
-64	AN393-15								2	
-65	2192709								1	
-66	AN520-10-8								3	
	AN960D10								3	
	AN365-1032								3	
-67	AN210-1A								1	
-68	AN507-1032-24								1	
-69	2033901-8D193-018								1	
-70	AN960D10								1	
-71	AN365-1032								1	
-72	1193237								1	
-73	AN520-10-16								1	
-74	1194820								1	
-75	1026614-3-018								1	
-76	AN960-10								1	
-77	AN365-1032								1	
-78	5192418-22								1	
-79	5192418-24								1	
-80	5192418-20								1	
-81	AN507-1032-10								AR	
	AN960D10								AR	
	AN365-1032								AR	

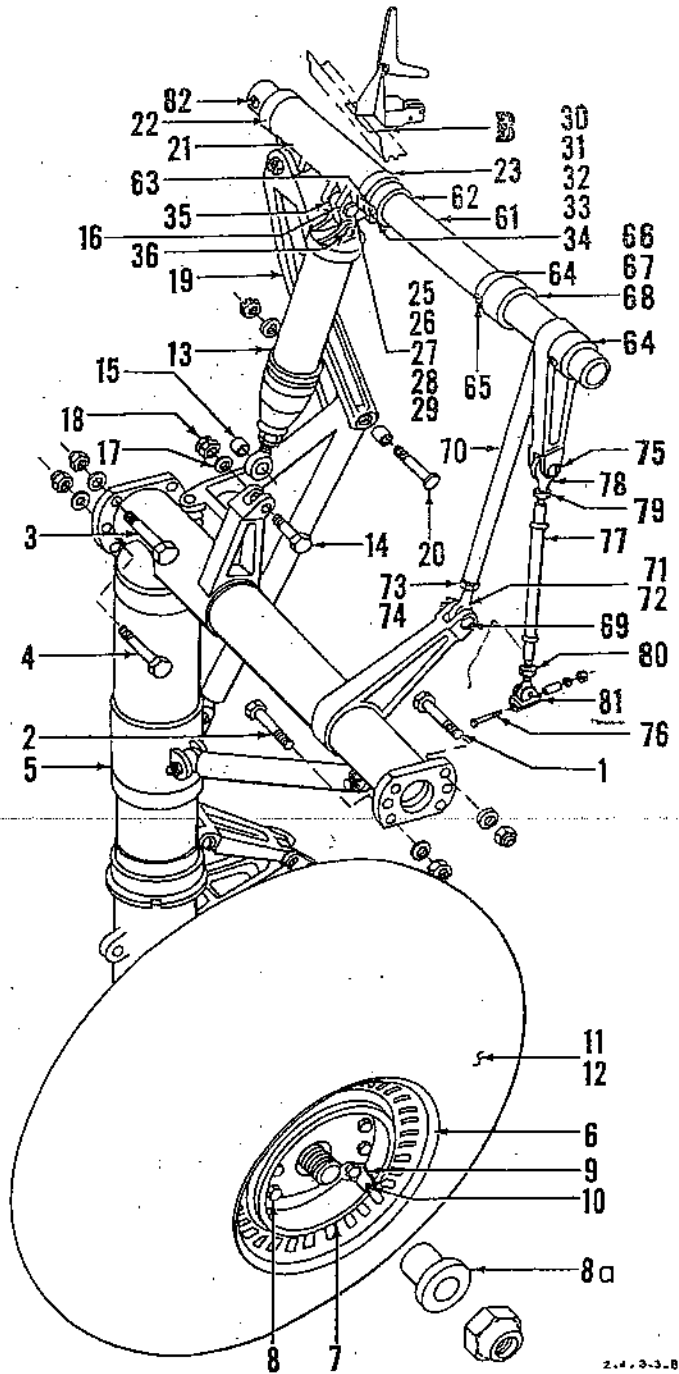
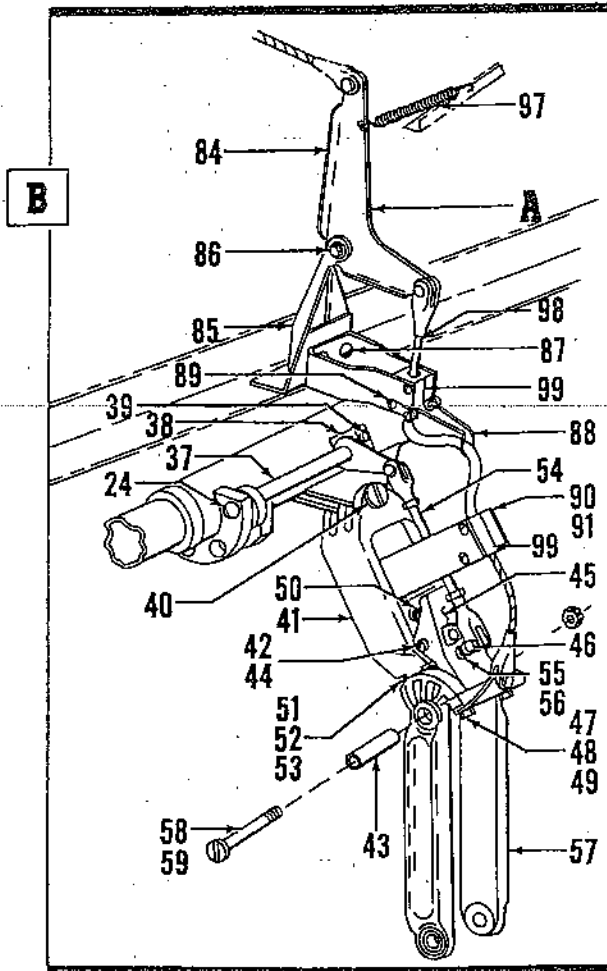
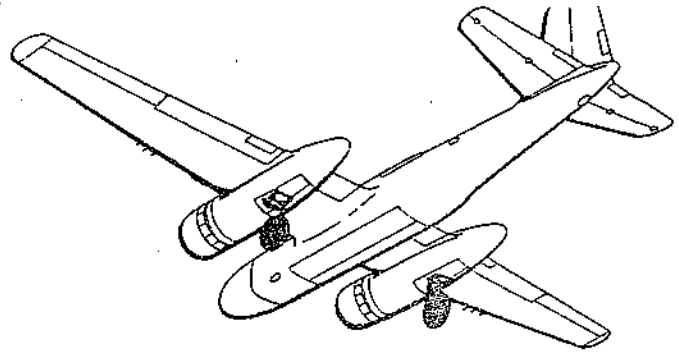
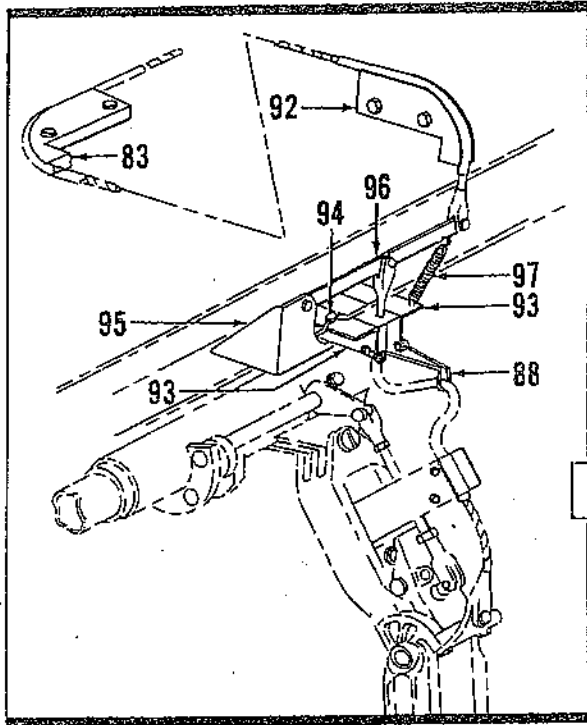


Figure 143. Main Landing Gear Installation

Section II

T.O. 1B-26B-4

Group Assembly Parts List

FIGURE & INDEX NO.	PART NO.	DESCRIPTION							UNITS PER ASSY	USABLE ON CODE
		1	2	3	4	5	6	7		
143-	5122370	GEAR INSTL, Main landing							1	C C D D
	5122372	GEAR ASSY, Main landing LH							1	
	5122372-1	GEAR ASSY, Main landing RH							1	
	5278861	GEAR ASSY, Main landing							1	
	5278861-1	GEAR ASSY, Main landing (ATTACHING PARTS)							1	
-1	AN7-25A	BOLT							4	
	AN960-716	WASHER							4	
	AN365-720	NUT							4	
-2	AN7-27A	BOLT							2	
	AN960-716	WASHER							2	
	AN365-720	NUT							2	
-3	AN8-32A	BOLT							4	
	AN960-816	WASHER							8	
	AN365-320	NUT							4	
-4	AN8-34A	BOLT							2	
	AN960-816	WASHER							4	
	AN365-820	NUT							2	
	5122374	STRUT ASSY, Main landing gear shock absorber LH							1	
	5122374-1	STRUT ASSY, Main landing gear shock absorber RH							1	
	5278990	STRUT ASSY, Main landing gear shock absorber							1	D
	5278990-1	STRUT ASSY, Main landing gear shock absorber							1	D
-5	8211AL	STRUT ASSY, Aerol shock LH (CP)							1	
	8211AR	STRUT ASSY, Aerol shock RH (CP)							1	
	8211DL	STRUT ASSY, Aerol shock LH (CP)							1	
	8211DR	STRUT ASSY, Aerol shock RH (CP)							1	
-6	530005M1	WHEEL ASSY, Main landing 47 in. (GY) (GFP) (USAF Spec 25258-1)							1	A
	145340M1	WHEEL ASSY, Low pressure 17.00-20 (BAV)							1	B
-7	510675M	BRAKE ASSY, High pressure (GY) (GFP) (USAF Spec 25258-1)							2	B
	145290M-C	BRAKE ASSY, 16-1/2 in. 4 rotor (BAV) (inter- changeable with 145290M-L) (ATTACHING PARTS)							1	B
-8	AN8-20	BOLT							16	D
	AN8-15	BOLT							10	
	AN960-816	WASHER (10 used on airplanes coded D)							16	
	AN310-8	NUT (10 used on airplanes coded D)							16	
-8a	2278805	ADAPTER, Brake mounting bolt (BAV)							10	
	AN960-816	WASHER							16	
	AN310-8	NUT							16	
-9	1201317	CLIP, Hydraulic hose (ATTACHING PARTS)							1	
-10	AN520-10-8	SCREW							1	
	AN960D10	WASHER							1	
	AN365-1032	NUT							1	
-11	340500	TIRE, Pneumatic 47 in. 14 ply (GFP) Spec MIL-C-5041A type I							1	A
		TIRE, Pneumatic 15.50-20, 14 ply (GFP) Spec MIL-C-504A type III							1	B
-12	755500	TUBE, Inner (GFP) Spec MIL-T-5041B type I, class 1, style S							1	A
	519100	TUBE, Inner (GFP) Spec MIL-T-5041B type III, class 1, style S							1	B
-13	5122377	CYLINDER ASSY, Main landing gear actuating (see figure 144) (ATTACHING PARTS)							2	
-14	46A474	BOLT							2	
-15	177213-4375-	BUSHING, Needle bearing hardened							1	
	5605-873	BUSHING, Needle bearing hardened							1	
-16	177213-4375-	BUSHING, Needle bearing hardened							1	
	5605-906	BUSHING, Needle bearing hardened							1	
-17	AN960-716	WASHER							2	
-18	AN310-7	NUT							2	
-19	5122378	LINK ASSY, Main landing gear retracting LH							1	
	2275862	SPARE PARTS ASSY, Main landing gear retracting link LH							1	
	5122378-1	LINK ASSY, Main landing gear retracting RH							1	
	2275862-1	SPARE PARTS ASSY, Main landing gear retracting RH (ATTACHING PARTS)							1	
-20	2035884-1614-422	BOLT, Shear of bearing 160,000 pound							1	
	2276057	SPACER, Main landing gear lower link							1	
	AN960-1616	WASHER							1	
	AN320-16	NUT							1	
-21	5150052	SUPPORT ASSY, Main landing gear upper retracting link LH							1	
	5150052-1	SUPPORT ASSY, Main landing gear upper retracting link RH							1	
	5150052-2	SUPPORT, Main landing gear upper retracting link LH							1	
	5150052-3	SUPPORT, Main landing gear upper retracting link RH							1	
-22	1127776	BEARING, Main landing gear upper retracting link inboard							1	
-23	1127777	BEARING, Main landing gear upper retracting link outboard							1	
-24	1206386	BEARING, Main landing gear latch release shaft outboard							1	
	4208082	LUG ASSY, Main landing gear latch release (ATTACHING PARTS)							1	
-25	46A473	BOLT							2	
-26	2208064	ROLLER, Main landing gear latch release							2	
-27	187048-6858	SPACER, Milled slot type							2	
-28	AN960-616	WASHER							2	
-29	AN310-6	NUT							2	

FIGURE & INDEX NO.	PART NO.	1	2	3	4	5	6	7	DESCRIPTION	UNITS PER ASSY	USABLE ON CODE
43-30	AN4-22								BOLT	1	
-31	1150563								BUSHING, Main landing gear latch control flexible	1	
-32	1074744-4S906								SPACER, Chrome molybdenum steel cadmium plite	1	
-33	AN960-416								WASHER	1	
-34	AN310-4								NUT	1	
-35	4208082-2								LUG, Main landing gear latch release	1	
-36	116500-9A028G								BUSHING, Aluminum	1	
-37	4128179								SHAFT ASSY, Main landing gear latch release LH	1	
	4128179-1								SHAFT ASSY, Main landing gear latch release RH	1	
-38	1150578								BEARING ASSY, Main landing gear latch release shaft (ATTACHING PARTS)	1	
-39	AN502-10-22								SCREW	2	
	1381								BEARING, Durex (MPD)	2	
	5128378								LINK ASSY, Main landing gear retracting upper (ATTACHING PARTS)	1	
-40	2035884-1614-318B								BOLT, Shear or bearing 160,000 pound	1	
	1026614G16-301								SPACER, OD bearing	1	
	AN320-16								NUT	1	
-41	5128378-2								LINK, Main landing gear retracting upper	1	
-42	XB364-1468								BEARING (ATLAS)	1	
-43	116500-20A204G								BUSHING, Bronzed grooved	1	
	530GB482								LATCH ASSY, Main landing gear (ATTACHING PARTS)	1	
-44	AN26-46								BOLT	1	
	1026614G6-116								SPACER, OD bearing	1	
	AN960-616								WASHER	1	
	AN20-6								NUT	1	
-45	530GB482-2								LATCH, Main landing gear	1	
-46	131736-04C008								BUSHING	1	
-47	1150582-2								SHIM, Main landing gear latch cap	AR	
	1150582-4								SHIM, Main landing gear latch cap	AR	
	1150582-6								SHIM, Main landing gear latch cap	AR	
-48	1150564								CAP, Main landing gear latch (ATTACHING PARTS)	1	
-49	1150583								BOLT, Main landing gear latch cap	2	
-50	1150579								SPRING, Main landing gear retracting link	2	
-51	110242-6-15HP								BOLT, Special full thread	2	
-52	AN960-616								WASHER	2	
-53	AN315-6R								NUT	2	
-54	530GA484								ROD ASSY, Short clevis end	1	
-55	AN394-17								PIN	2	
	AN960-416L								WASHER	2	
-56	530GC3139								BOLT, Clevis rod (installed by T.O. 1B-26-523)	1	
	AN364-624								NUT	1	
-57	5128376								LINK, Main landing gear lower retracting LH	1	
	5128376-1								LINK, Main landing gear lower retracting RH	1	
-58	2035884-1614-420								BOLT, Shear or bearing 150,000 pound	1	
-59	2276057								SPACER, Main landing gear lower link	1	
-60	AN320-16								NUT	1	
-61	3126972								SHAFT, Main landing gear retracting link	2	
-62	1151350								COLLAR, Main landing gear shaft inboard	2	
-63	AN24-44A								BOLT	2	
	AN960-416								WASHER	2	
	AN364-428								NUT	2	
-64	1151351								COLLAR, Main landing gear shaft outboard	4	
-65	AN24-48A								BOLT	4	
	AN960-416								WASHER	4	
	AN364-428								NUT	4	
	4151202								ARM ASSY, Nacelle door actuating bellcrank LH	1	
-66	4151202-1								ARM ASSY, Nacelle door actuating bellcrank RH	1	
	4151202-2								ARM ASSY, Nacelle door actuating bellcrank LH	1	
	4151202-3								ARM ASSY, Nacelle door actuating bellcrank RH	1	
-67	2151618								BEARING, Nacelle door actuating bellcrank arm	2	
-68	ANS-10A								BOLT	8	
	AN960-516								WASHER	8	
	AN365-524								NUT	8	
	2151648								ROD ASSY, Bellcrank actuating (ATTACHING PARTS)	2	
-69	AN28-24								BOLT	2	
	AN960-816								WASHER	2	
	AN320-8								NUT	2	
-70	2151650								TUBE ASSY, Bellcrank actuating rod	1	
-71	1151344-6								END ASSY, Bellcrank actuating rod	1	
-72	1151344-8								END ASSY, Bellcrank actuating rod	1	
	RBC8								BEARING, Needle (RBC)	1	
-73	AN316-9L								NUT	1	
-74	AN316-9R								NUT	1	
	2151647								ROD ASSY, Nacelle outboard door actuating (ATTACHING PARTS)	1	
-75	AN25-31								BOLT	1	

Section II
Group Assembly Parts List

T.O. 1B-26B-4

FIGURE & INDEX NO.	PART NO.	1	2	3	4	5	6	7	DESCRIPTION	UNITS PER ASSY	USABLE ON CODE
143-76	AN960-516								WASHER.....	1	
	AN320-5								NUT.....	1	
	NAS55-22								BOLT.....	1	
	1205809								BUSHING, Nacelle outboard door actuating rod block.....	1	
	AN960-516L								WASHER.....	1	
	AN320-5								NUT.....	1	
-77	2151649								TUBE ASSY, Nacelle outboard door actuating rod.....	1	
-78	1151342								END ASSY, Nacelle outboard door actuating rod.....	1	
	AE5								BEARING, Needle (SHA).....	1	
-79	AN316-6L								NUT.....	1	
-80	AN316-6R								NUT.....	1	
-81	2151647-4								END ASSY, Nacelle outboard door actuating rod.....	1	
-82	AN4-12A								BOLT.....	2	
	AN960-416								WASHER.....	4	
	AN364-428								NUT.....	2	
-83	530GB489								BLOCK, Guide.....	2	
-84	530GC479								BELLCRANK.....	2	
-85	530GC480								BRACKET.....	2	
-86	AN4-4								BOLT.....	2	
	AN960-416L								WASHER.....	2	
	AN320-4								NUT.....	2	
	530GC481-1								BRACKET.....	2	
									(ATTACHING PARTS)		
-87	AN520-10-20								SCREW.....	2	
	AN960-10L								WASHER.....	2	
	AN365-1032								NUT.....	2	
-88	540GB182								SPRING.....	1	
									(ATTACHING PARTS)		
-89	AN520-10-20								SCREW.....	1	
-90	530GC481-2								BRACKET.....	2	
									(ATTACHING PARTS)		
-91	AN3-6A								BOLT.....	4	
	AN960-10L								WASHER.....	4	
	AN365-1032								NUT.....	4	
-92	530GB510								BLOCK, Guide.....	2	
-93	530GB508								BRACKET, LH.....	1	
	530GB507								BRACKET, RH.....	1	
									(ATTACHING PARTS)		
-94	AN3-10A								BOLT.....	3	
	1125962								SPACER.....	3	
	AN960-10L								WASHER.....	3	
	AN365-1032								NUT.....	3	
-95	530GB506								BRACKET, Pivot.....	2	
-96	530GA509								LEVER, Latch release.....	2	
-97	1193936								SPRING.....	2	
-98	530GA487								CABLE, Bellcrank to latch.....	2	
-99	530GA486-1								BLOCK, Clamping upper.....	2	
	530GA486-2								BLOCK, Clamping lower.....	2	
									A These parts to be used on aircraft equipped with (GY) wheel and brake assemblies		
									B These parts to be used on aircraft equipped with (BAV) wheel and brake assemblies:		
									C USAF 41-39100 thru 41-39599		
									44-34098 thru 44-34472		
									D USAF 44-34473 thru 44-35996		

T.O. 1B-26B-4
ALIGHTING GEAR

Section II
Group Assembly Parts List

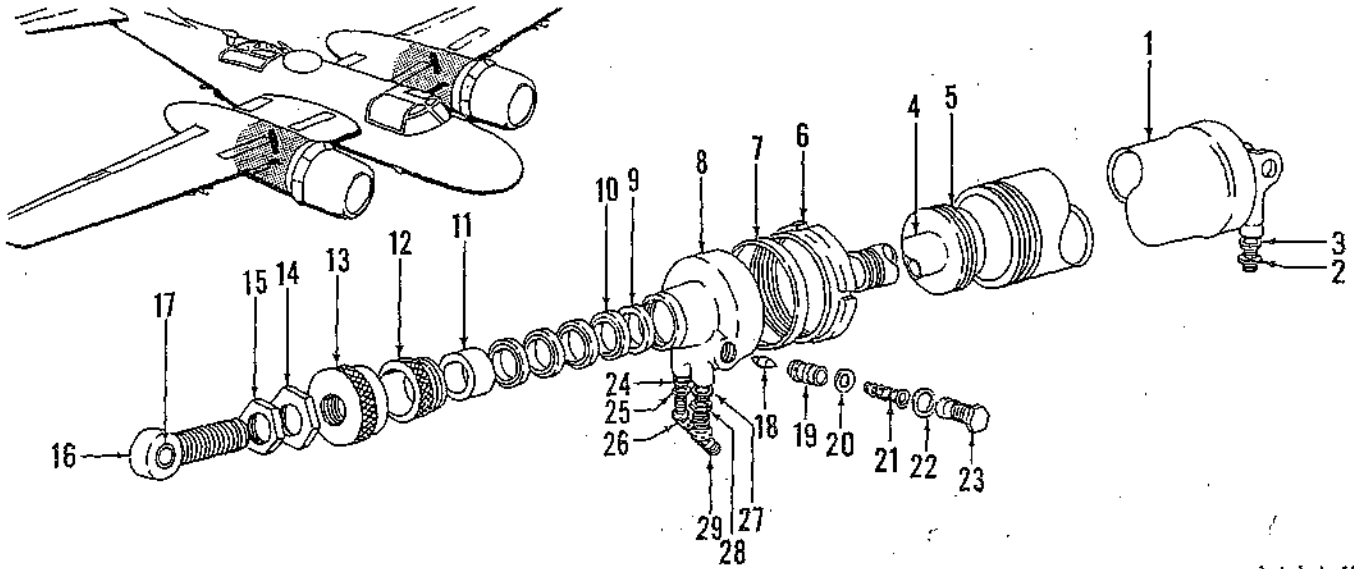


Figure 144. Main Landing Gear Actuating Cylinder Assembly

FIGURE & INDEX NO.	PART NO.	DESCRIPTION							UNITS PER ASSY	USABLE ON CODE
		1	2	3	4	5	6	7		
144-	5122377	CYLINDER ASSY, Main landing gear actuating (see figure 143).....							Ref	
-1	5128434	BARREL ASSY, Main landing gear actuating cylinder.....							1	
-2	AN920-8D	UNION.....							1	
-3	AN6290-8	GASKET.....							1	
-4	5128439	PISTON ASSY, Main landing gear actuating cylinder.....							1	
-5	AN6227-38	PACKING.....							1	
-6	2150742	NUT, Main landing gear actuating cylinder external packing.....							1	
-7	1111908-316-322-188	GASKET, External seal ring neoprene.....							1	
-8	4128202	END, Main landing gear actuating cylinder.....							1	
-9	AN6229-22	RING, (formerly 1012954D104-008).....							1	
-10	AN6225-22	PACKING.....							4	
-11	1073530B104-008	RING, Bronze long packing.....							1	
-12	2126829	NUT, Main landing gear actuating cylinder packing.....							1	
-13	2126823	STOP, Main landing gear actuating cylinder rod.....							1	
-14	1127790	NUT, Main landing gear actuating cylinder rod stop lock.....							1	
-15	AN316-12R	NUT.....							1	
	2126808	END ASSY, Main landing gear actuating cylinder rod.....							1	
-16	2126808-2	ROD END, Main landing gear actuating cylinder rod.....							1	
-17	116500-9A028G	BUSHING, Aluminum bronze grooved.....							1	
-18	1127653	CONE, Shuttle valve 1/2-in.....							1	
-19	1127705	SPACER, Shuttle valve packing 1/2-in.....							1	
-20	H107675-016	SEAT (HYP) (emergency substitute part may be made from AN6226-9).....							2	
-21	1127663	SPRING, Shuttle valve 1/2-in.....							1	
-22	143908-02BTC104-064	WASHER.....							1	
-23	2126847	PLUG, Shuttle valve 1/2-in.....							1	
-24	AN6290-4	GASKET.....							1	
-25	AN924-4D	NUT.....							1	
-26	AN837-4D	ELBOW.....							1	
-27	AN6290-8	GASKET.....							1	
-28	AN924-8D	NUT.....							1	
-29	AN837-8D	ELBOW.....							1	

Section II
Group Assembly Parts List

T.O. 1B-26B-4
ALIGHTING GEAR

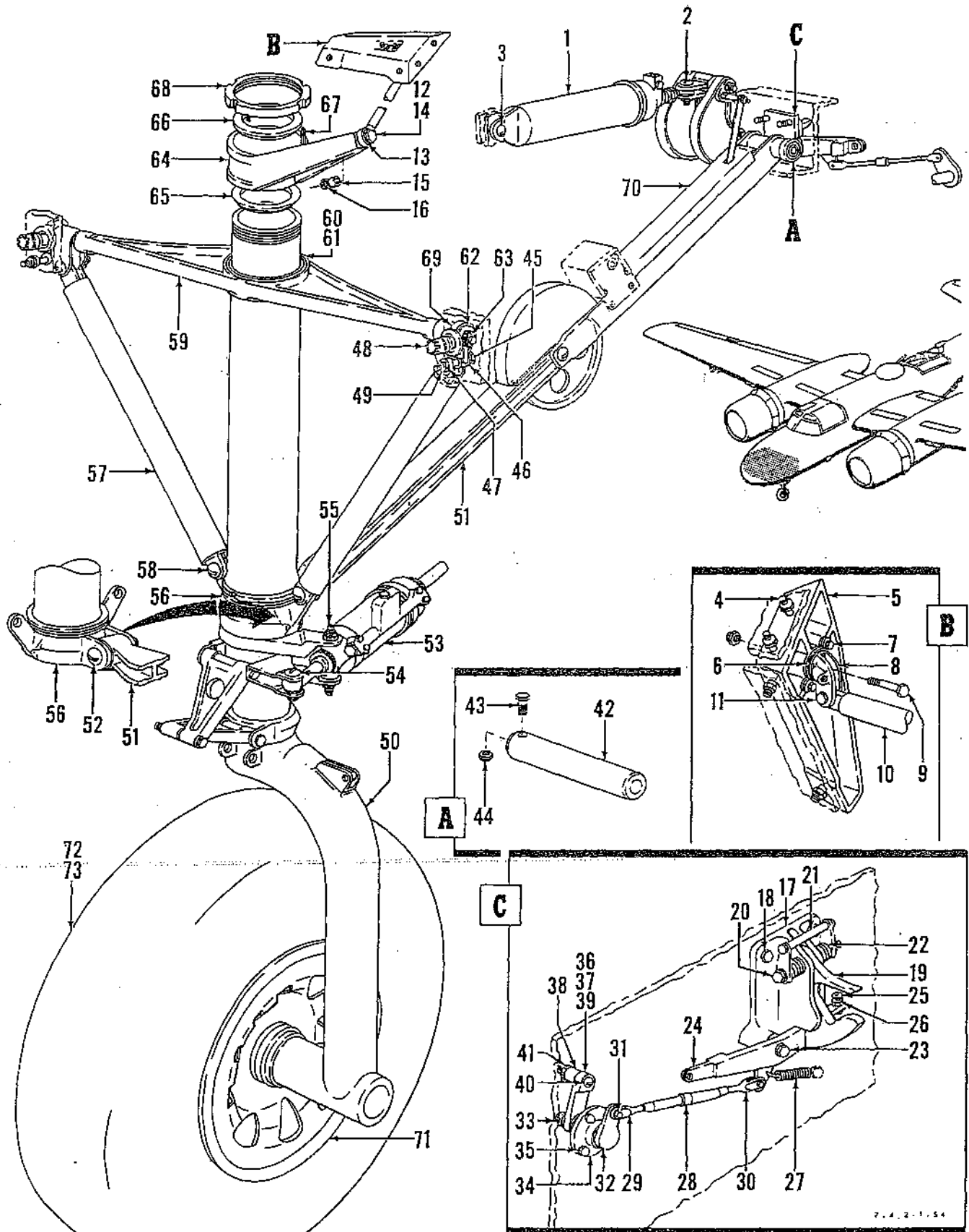


Figure 145. Nose Wheel Gear Installation

FIGURE & INDEX NO.	PART NO.	1	2	3	4	5	6	7	DESCRIPTION	UNITS PER ASSY	USABLE ON CODE
145-	5122380								GEAR INSTL, Nose wheel.....	1	
-1	5122386								CYLINDER ASSY, Nose wheel actuating (see figure 146)..... (ATTACHING PARTS)	1	
-2	AN26-23								BOLT.....	1	
	AN960-616								WASHER.....	1	
	AN320-6								NUT.....	1	
-3	AN27-26								BOLT.....	1	
	177213-4375-5605-748								SPACER.....	1	
	AN960-716								WASHER.....	1	
	AN320-7								NUT.....	1	
	4128231								SUPPORT ASSY, Nose wheel rotating mechanism swivel..... (ATTACHING PARTS)	1	
-4	AN4-6A								BOLT.....	4	
	AN960-416								WASHER.....	4	
	AN365-428								NUT.....	4	
-5	5129926								FITTING, Nose wheel rotating mechanism.....	1	
-6	2126893								BEARING, Rotating mechanism swivel..... (ATTACHING PARTS)	1	
-7	AN74A5								BOLT.....	2	
-8	2126892								SWIVEL, Rotating mechanism.....	1	
-9	AN4-15								BOLT.....	2	
	AN310-4								NUT.....	2	
-10	2129260								LINK ASSY, Nose wheel rotating mechanism..... (ATTACHING PARTS)	1	
-11	AN3-12								BOLT.....	1	
	177213-187-374-895								BUSHING, Needle bearing hardened.....	1	
	AN960-10L								WASHER.....	2	
	AN310-3								NUT.....	1	
-12	AN4-21								BOLT.....	1	
-13	143908-008								WASHER.....	1	
	SO24-125										
-14	AE82								BEARING, Roller (SHA).....	1	
-15	1151377								SPACER, Nose wheel rotating mechanism arm bolt.....	1	
-16	AN310-4								NUT.....	1	
-17	2129302								SUPPORT, Nose wheel up latch..... (ATTACHING PARTS)	1	
-18	AN4-7A								BOLT.....	3	
-19	2129290								HOOK, Nose wheel up latch.....	1	A
	2208235								HOOK, Nose wheel up latch..... (ATTACHING PARTS)	1	B
-20	AN4-23								BOLT.....	1	
	1026614G4-015								SPACER, OD bearing.....	1	
	1026614G4-016								SPACER, OD bearing.....	1	
	AN960-416								WASHER.....	1	
	AN960-4								WASHER.....	1	
	AN310-4								NUT.....	1	
-21	AN392-57								PIN.....	1	
-22	1128970								SPRING, Nose wheel hook up latch.....	1	
	2205750								ARM ASSY, Nose wheel hook up latch..... (ATTACHING PARTS)	1	
-23	AN4-16								BOLT.....	1	
	1026614G4-011								SPACER, OD bearing.....	1	
	AN960C416								WASHER.....	2	
	AN320-4								NUT.....	1	
-24	2205750-2								ARM, Nose wheel up latch hook release.....	1	
-25	110242-3-7HP								BOLT, Special flathead full threaded steel.....	1	
-26	AN345-10								NUT.....	2	
-27	2205753								SPRING, Nose wheel up latch.....	1	
-28	AN155-16L								BARREL.....	1	
-29	AN161-16LS								FORK.....	1	
-30	AN161-16RS								FORK..... (ATTACHING PARTS)	1	
-31	AN393-11								PIN.....	2	
-32	2205754								CRANK, Nose wheel release up latch..... (ATTACHING PARTS)	1	
-33	AN320-9								NUT.....	1	
	AN960-916								WASHER.....	2	
	AN960-1016								WASHER.....	2	
-34	2205752								BEARING ASSY, Nose wheel crank up latch..... (ATTACHING PARTS)	1	
-35	AN4-7								BOLT.....	3	
	AN365-428								NUT.....	3	
-36	2205751								ARM, Nose wheel crank up latch.....	1	

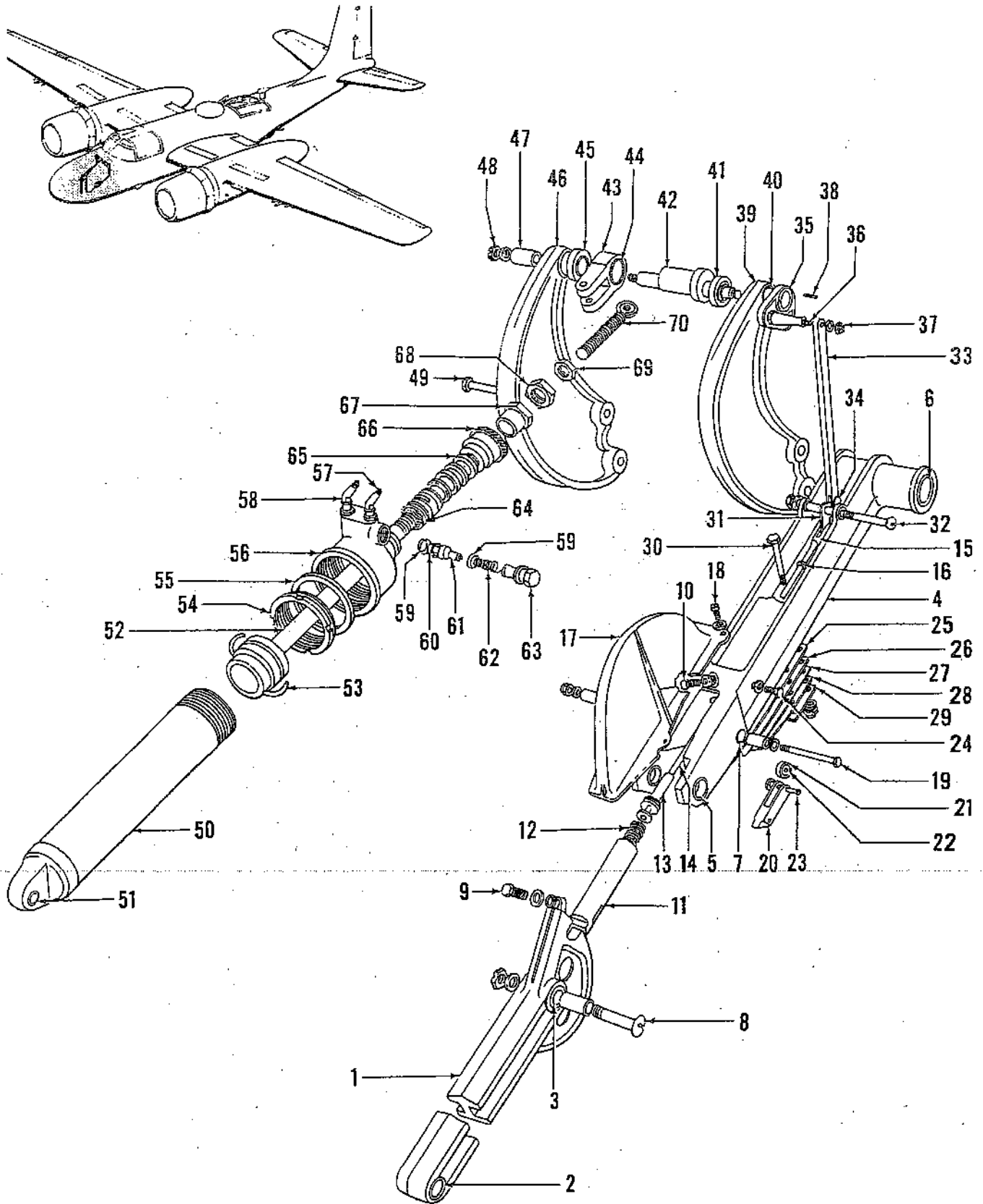


Figure 146. Nose Wheel Retracting Mechanism Assembly and Actuating Cylinder Assembly

2. A. 2. 1 - 92

Section II

T. O. 1B-26B-4

Group Assembly Parts List

FIGURE & INDEX NO.	PART NO.	DESCRIPTION							UNITS PER ASSY	USABLE ON CODE
		1	2	3	4	5	6	7		
146-		NOSE WHEEL RETRACTING MECHANISM ASSY AND ACTUATING CYLINDER ASSY								
	5150259	MECHANISM ASSY, Nose wheel retracting (see figure 145)							Ref	
	5127907	LINK ASSY, Nose wheel retracting lower							1	
-1	5127907-2	LINK, Nose wheel retracting lower							1	
-2	116500-13A	BUSHING, Aluminum bronze grooved							1	
	107G									
-3	116500-13A	BUSHING, Aluminum bronze grooved							1	
	119G									
	5127946	LINK ASSY, Nose wheel retracting upper							1	
-4	5127946-2	LINK, Nose wheel retracting upper							1	
-5	1127767	BUSHING, Nose gear retracting upper							2	
-6	116500-20E108	BUSHING, Brass							2	
-7	A407-2	BEARING, Oilite (AXD)							2	
-8	AN30-50	BOLT							1	
	2276216-4	SPACER, OD bearing							1	
	AN960-1016	WASHER							1	
	AN320-10	NUT							1	
-9	2207823	BOLT, Nose gear retracting link adjusting							1	
	2207824	WASHER, Nose gear retracting link adjusting							1	
	124682-7S12-065	WASHER, Chrome molybdenum steel							1	
-10	1151313	BOLT, Nose gear retracting link stop							1	
	124682-5S12-030	WASHER, Chrome molybdenum steel							1	
	2150832	LATCH ASSY, Nose wheel down							1	
-11	1151009	LATCH, Nose wheel down							1	
-12	1150949	SPRING, Nose wheel upper link lock plunger							1	
-13	1151008	SLEEVE, Nose wheel down latch plunger							1	
-14	1150950	PLUNGER ASSY, Nose wheel down latch							1	
-15	AN665-21R	TERMINAL							1	
-16	AN315-3R	NUT							1	
-17	4278148	COVER, Nose gear down latch (ATTACHING PARTS)							1	
-18	AN501A10-7	SCREW							4	
	AN960D10	WASHER							4	
	1193811	LATCH ASSY, Nose wheel bungee (ATTACHING PARTS)							1	
-19	AN23-50	BOLT							1	
	1026614G3-101	SPACER, Steel OD bearing grease finish							2	
	124682-3S10-065	WASHER, Chrome molybdenum steel							2	
	AN310-3	NUT							1	
-20	1193812	LATCH, Nose wheel bungee							1	
	1193814	ROLLER ASSY, Nose wheel bungee							1	
-21	1193813	ROLLER, Nose wheel bungee							1	
-22	A303-2	BUSHING, Oilite (AXD)							1	
-23	AN393-21	PIN							1	
	AN960-10L	WASHER							1	
-24	1206184	SCREW, Nose gear down latch set							1	
	AN960-416L	WASHER							1	
-25	1193808	LEAF, No. 1 nose wheel bungee spring							1	
-26	1193810	LEAF, No. 2 nose wheel bungee spring							1	
-27	1193809	LEAF, No. 3 nose wheel bungee spring							1	
-28	1193947	LEAF, No. 4 nose wheel bungee spring							1	
-29	1193954	CLAMP, Nose wheel bungee spring (ATTACHING PARTS)							1	
-30	AN3-13A	BOLT							2	
	AN960-10	WASHER							2	
	AN365-1032	NUT							2	
-31	2277826	LEVER ASSY, Nose wheel down latch release (ATTACHING PARTS)							1	
-32	AN23-38	BOLT							1	
	AN960-10	WASHER							1	
	AN320-3	NUT							1	
-33	1150974	ROD, Nose wheel down latch actuating (ATTACHING PARTS)							1	
-34	AN393-11	PIN							2	
	AN960-10L	WASHER							1	
-35	1151007	STOP ASSY, Nose wheel down latch release							1	
	1151005	STOP, Nose wheel down latch release							1	
-36	1151006	ARM, Nose wheel down latch release							1	
-37	AN320-3	NUT							1	
	AN960D10	WASHER							1	
-38	1151359	KEY, Nose wheel down latch release							2	
	4277462	ARM ASSY, Nose wheel retracting LH							1	
-39	4277462-2	ARM, Nose wheel retracting LH							1	
-40	2277914	BEARING, Bronze							1	
-41	2277456	SPACER, Nose wheel down latch cam							1	
-42	2277430	CAM, Nose wheel down latch release							1	
	2277431	CLEVIS ASSY, Nose wheel actuating cylinder rod							1	
-43	2277431-2	LINK, Nose wheel actuating cylinder rod							1	
-44	B1516X	BEARING, Needle (TOR)							1	

FIGURE & INDEX NO.	PART NO.	1	2	3	4	5	6	7	DESCRIPTION	UNITS PER ASSY	USABLE ON CODE
146-45	2277433								SPACER, Nose wheel down latch cam	1	
	4277927								ARM ASSY, Nose wheel retracting RH	1	
-46	4277927-2								ARM, Nose wheel retracting RH	1	
-47	2277915								BEARING, Bronze	1	
-48	AN320-5								NUT	2	
	AN960-516								WASHER	2	
-49	111904-8-322N								BOLT, Shear or bearing	2	
	AN960-816								WASHER	2	
	AN364-820								NUT	2	
	5122386								CYLINDER ASSY, Nose wheel actuating (see figure 145)	Ref	
	5128480								BARREL ASSY, Nose wheel actuating cylinder	1	
-50	5128480-2								BARREL, Nose wheel actuating cylinder	1	
-51	116500-9A024G								BUSHING, Aluminum bronze grooved	1	
-52	5128574								PISTON ASSY, Nose wheel actuating cylinder	1	
-53	AN6227-35								PACKING	1	
-54	2150746								NUT, Nose wheel actuating cylinder external packing	1	
-55	1111908-304-310-188								GASKET, External seal ring neoprene	1	
-56	5128680								END, Nose wheel actuating cylinder	1	
-57	AN837-4D								ELBOW	1	
	AN924-4D								NUT	1	
	AN6290-4								GASKET	1	
-58	AN837-6D								ELBOW	1	
	AN924-6D								NUT	1	
	AN6290-6								GASKET	1	
-59	H107675-014								SEAT, Type A resilient valve (HYP)	2	
-60	1128870								SPACER, Shuttle valve 3/8-in.	1	
-61	1128869								CONE, Shuttle valve 3/8-in.	1	
-62	1128871								SPRING, Shuttle valve 3/8-in.	1	
	143908-026								GASKET	1	
	TC102-064										
-63	2129213								PLUG, Shuttle valve 3/8-in.	1	
-64	2129210								SPRING, Nose wheel actuating cylinder piston rod packing	1	
	AN6229-22								RING (formerly 1012954D104-008)	1	
-65	AN6225-22								PACKING	4	
	1073530-B104-008								RING, Bronze long packing	1	
-66	2129211								NUT, Nose wheel actuating cylinder piston rod packing	1	
-67	2129209								STOP NUT, Nose wheel actuating cylinder rod stop	1	
-68	1127790								LOCK NUT, Main landing gear actuating rod stop	1	
-69	AN316-12R								NUT	1	
-70	1128865								BOLT, Nose wheel actuating cylinder eye	1	

ALIGHTING GEAR

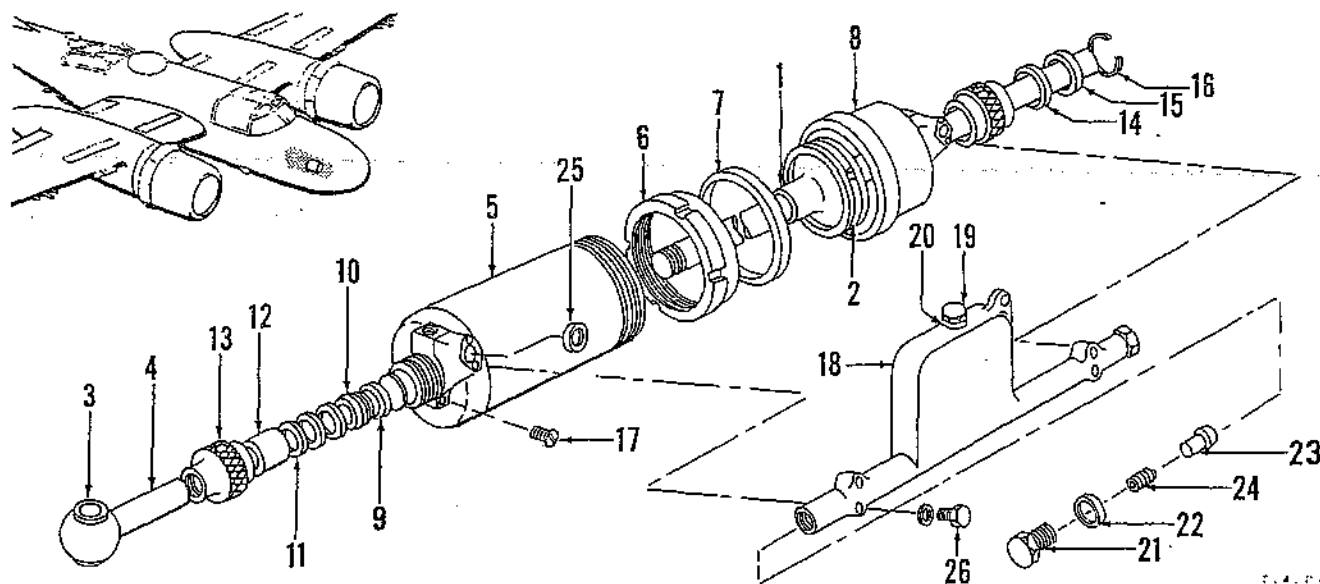


Figure 147. Nose Wheel Snubber Assembly

Section II
Group Assembly Parts List

T.O. 1B-26B-4

FIGURE & INDEX NO.	PART NO.	DESCRIPTION							UNITS PER ASSY	USABLE ON CODE
		1	2	3	4	5	6	7		
147-	5122388	SNUBBER ASSY, Nose wheel (see figure 145).....							Ref	
	5150355	CYLINDER ASSY, Nose wheel snubber.....							1	
-1	4129589	PISTON ASSY, Nose wheel snubber.....							1	
-2	AN6227-34	PACKING.....							1	
-3	2150765	END ASSY, Nose wheel snubber piston rod.....							1	
-4	1150576	BUSHING, Nose wheel snubber piston rod end.....							2	
-5	4129561	BARREL ASSY, Nose wheel snubber.....							1	
-6	2150751	NUT, Nose wheel snubber end external packing.....							1	
-7	1111908-228-302-188	GASKET, External seal ring neoprene.....							1	
-8	2150750	END, Nose wheel snubber.....							1	
-9	1012953D024-008	RING, Center packing.....							2	
-10	AN6229-16	RING, (formerly: 1012954D024-008).....							4	
-11	AN6225-16	PACKING.....							8	
-12	1073530B024-008	RING, Long packing.....							2	
-13	4129555	NUT, Nose wheel snubber piston rod packing.....							2	
-14	2110163B012-100-003	WASHER, Gray felt.....							2	
-15	4112754-024	WIPER, Piston rod.....							2	
-16	2130661-104	RING, Internal lock.....							2	
-17	AN502-10-8	SCREW.....							1	
	4129593	MANIFOLD ASSY, Nose wheel snubber.....							1	
-18	5150244	MANIFOLD, Nose wheel snubber.....							1	
-19	1150917	PLUG, Nose wheel snubber reservoir.....							1	
-20	143908-016TC024-064	GASKET.....							2	
-21	2150766	PLUG, Nose wheel snubber poppet.....							2	
-22	143908-022TC030-064	GASKET.....							2	
-23	1150566	POPPET, Nose wheel snubber.....							2	
-24	1150911	SPRING, Nose wheel snubber poppet.....							2	
-25	1074724-016	GASKET, Black neoprene hydraulic seal cup.....							4	
-26	AN3H13A	BOLT.....							4	
	AN960D10	WASHER.....							4	

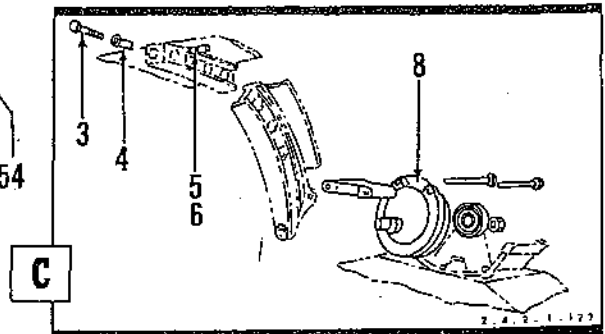
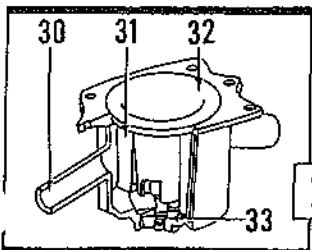
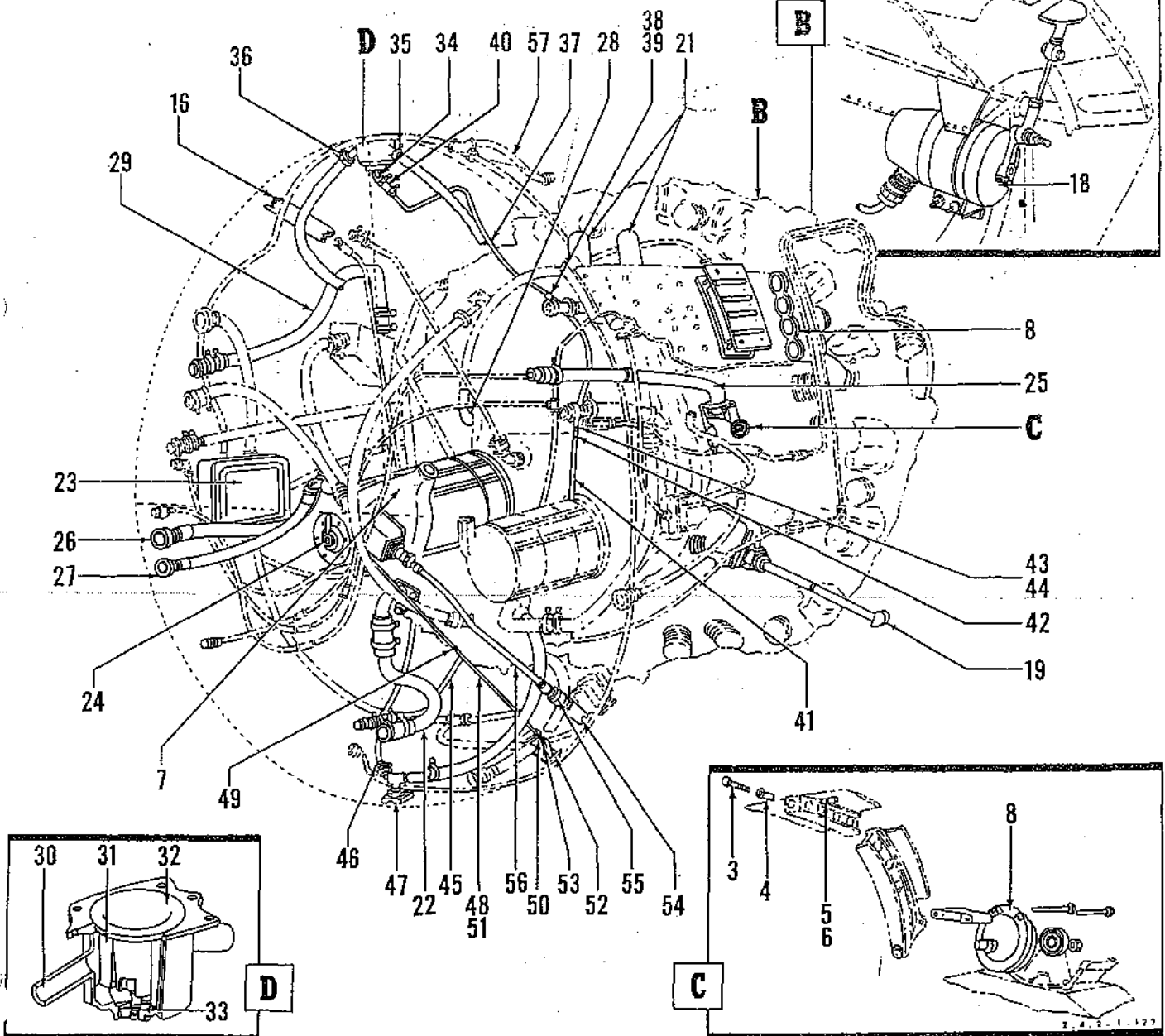
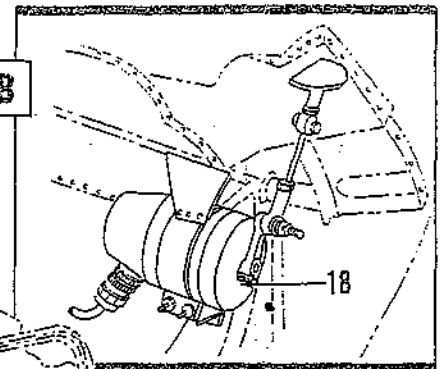
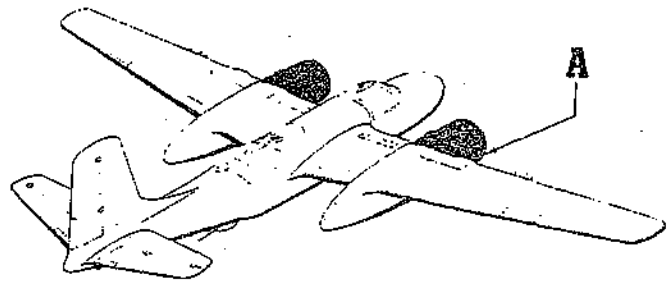
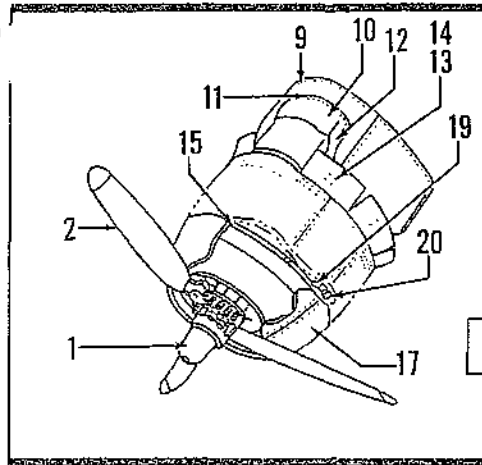


Figure 148. Propeller and Demountable Power Plant Installation

Section II
Group Assembly Parts List

T.O. 1B-26B-4

FIGURE & INDEX NO.	PART NO.	DESCRIPTION							UNITS PER ASSY	USABLE ON CODE
		1	2	3	4	5	6	7		
148-		PROPELLER AND DEMOUNTABLE POWER PLANT INSTL								
		PROPELLER INSTL								
-1	5122325	HUB, Propeller (HS) (GFP)							1	A
-2	23E50-505	BLADE, Propeller (HS) (GFP)							3	A-K
	6359A18									
	5153327	POWER PLANT INSTL, Demountable							1	A
	5205634	PLANT ASSY, Complete nonram demountable power							1	B
	5209262	PLANT ASSY, Complete demountable power							1	C
	5208400	PLANT ASSY, Complete demountable power							1	D
	5209007	PLANT ASSY, Complete demountable power							1	E
		(ATTACHING PARTS)								
-3	1122834	BOLT, Engine mount attaching							6	A-K
-4	1122833	BUSHING, Engine mount aligning							6	A-K
-5	1122832	NUT, Engine mount attaching trunion							6	A-K
-6	AN392-17	PIN							6	A-K
		- - - * - - -								
-7	5122329	ENGINE AND ACCESSORIES INSTL (See figure 149)							1	F
	5275692	ENGINE AND ACCESSORIES INSTL (See figure 149)							1	G
-8	5122330	EXHAUST STACK INSTL (See figure 149)							1	A
-9	5202442	STRUCTURE ASSY, Nonram engine mount (see figure 150)							1	B
	5209261	STRUCTURE ASSY, Engine mount (see figure 150)							1	C
	5208398	STRUCTURE ASSY, Engine mount (see figure 150)							1	D, E
-10	5122338	SEAL ASSY, Fire (see figure 150)							1	A
-11	AN960CS16L	WASHER							16	A
-12	5122336	INDUCTION SYSTEM INSTL, Carburetor air (see figure 151)							1	A
-13	5205635	RING ASSY, Nonram cowling flap (see figure 152)							1	B-E
		(ATTACHING PARTS)								
-14	AN3-16	BOLT							32	B-E
	AN960-416	WASHER							32	B-E
	79HTE048	NUT, Self-locking stainless steel thln 1-4 28 (EN)							32	B-E
		- - - * - - -								
-15	5123959	SUPPORT INSTL, Antidrag ring forward (see figure 152)							1	A
-16	5203565	BONDING INSTL, Power plant							1	
-17	5202434	RING ASSY, Complete nonram antidrag (see figure 153)							1	B-E
-18	5209257	HEAT RISE INSTL, Carburetor air							1	H
-19	5122341	OPERATING MECHANISM INSTL, cowling flap							1	A
		(ATTACHING PARTS)								
-20	AN3-16	BOLT							8	A
	2033901-4S191-109	SPACER							8	A
	AN960-10L	WASHER							8	A
	AN310-3	NUT							8	A
		- - - * - - -								
-21	5153342	FUEL SYSTEM INSTL, Power plant (see figure 156)							1	A
-22	5122344	OIL SYSTEM INSTL, Power plant (see figure 157)							1	A
-23	5153345	ELECTRICAL INSTL, Power plant (see figure 158)							1	F
	5209305	ELECTRICAL INSTL, Power plant (see figure 158)							1	G
-24	5153349	INSTRUMENT INSTL, Power plant (see figure 159)							1	A
-25	5153356	HEAT AND VENT INSTL, Power plant (see figure 163)							1	
-26	5122350	HYDRAULIC INSTL, Power plant (see figure 160)							1	
-27	5153353	PROPELLER SYSTEM INSTL, Power plant (see figure 160)							1	A
-28	5202476	CONTROLS INSTL, Nonram engine and propeller power plant section (see figure 161)							1	B, C, J
	5208399	CONTROL INSTL, Power plant section (see figure 167)							1	D, K
		EQUIPMENT INSTL, Ice elimination power plant (see figure 163)							1	
-29	5153358	EQUIPMENT INSTL, Ice elimination power plant (see figure 173)							1	B, C
	5208549	ICE ELIMINATION EQUIPMENT INSTL, Power plant section (see figure 163)							1	D, E
	5190465	FILTER BOWL INSTL, Engine crankcase breather							1	
	2159756	BOWL ASSY, Engine crankcase breather filter							1	
-30	4129508	OUTLET, Engine crankcase breather filter bowl							1	
-31	2159734	FILTER, Engine crankcase breather							1	
	2159757	COVER ASSY, Engine crankcase breather filter bowl							1	
-32	4190235	COVER, Engine crankcase breather filter bowl cover							1	
-33	1190608	SHRING, Engine crankcase breather filter bowl cover							1	
-34	AN844-6	ELBOW							1	
-35	2129333-2	BREATHER HOSE, LH							1	
	AN737TW34-38	CLAMP (formerly AN746-9)							2	
-36	2129333-2	BREATHER HOSE, RH							1	
	AN737TW34-38	CLAMP (formerly AN746-9)							2	
-37	5129988-30	LINE, Breather drain							1	A
		(ATTACHING PARTS)								
-38	AN520-10-8	SCREW							1	A
	AN365-1032	NUT							1	A
-39	AN530-10-10	SCREW							1	A
		- - - * - - -								
-40	755-6-2-8	CLAMP, (AF)							1	
	No Number	HOSE, 3/8 ID by 3-3/4 in. long (make from hose Spec MIL-H-6000)							2	
-41	AN737RM26	CLAMP (formerly AN746-6)							4	
	5129988-104	LINE ASSY, Breather drain							1	B-E
		(ATTACHING PARTS)								
-42	AN520-10-8	SCREW							2	B-E
	AN365-1032	NUT							2	B-E
		- - - * - - -								

FIGURE & INDEX NO.	PART NO.	DESCRIPTION							UNITS PER ASSY	USABLE ON CODE	
		1	2	3	4	5	6	7			
148-43	AN912-2D								BUSHING	1	
-44	AN816-6D								NEPPL	1	
-45	5128410-64								LINE, Blower drain	1	A
-46	No Number								HOSE, 1/2 ID by 3-3/4 in. long (make from hose Spec MIL-H-6000)	2	
	AN737TW30								CLAMP (formerly AN746-7)	4	
-47	AN840-8								ADAPTER	1	
-48	2123218								CABLE ASSY, Starter meshing control	1	BC
	2275477								CABLE ASSY, Starter meshing control	1	DE
	2283943								CABLE ASSY, Starter meshing control (ATTACHING PARTS)	1	
-49	AN23-11								BOLT	1	
	AN950-10L								WASHER	1	
	AN310-3								NUT	1	
-50	AN393-11								PIN	1	
-51	2275344								SPRING, Starter meshing control cable tension	1	DE
-52	2143777								DOOR, Starter meshing control	1	A
-53	1128873								PIN	1	
-54	1202818								SOCKET ASSY, Starter handcrank (altered from Jack and Heinz JH1402)	1	
-55	AN565C4-10								SET SCREW	2	
-56	JH1197-22-1-2								SHAFT, Starter handcrank flexible (JH) (GFP)	1	A
-57	5209510								FIRE EXTINGUISHER INSTL, Power plant (see figure 163)	1	D
		A	USAF	41-39100	thru	41-39599			F USAF 41-39100 thru 41-39599		
				43-22252	thru	43-22751			43-22252 thru 43-22751		
				44-34098	thru	44-36797			44-35198 thru 44-35655		
		B	USAF	41-39100	thru	41-39324			G USAF 44-34098 thru 44-34762		
				43-22252	thru	43-22436			44-35656 thru 44-35996		
				43-22467	thru	43-22531			H USAF 41-39325 thru 41-39566		
		C	USAF	41-32325	thru	41-39499			43-22437 thru 43-22466		
				43-22437	thru	43-22466			43-22532 thru 43-22683		
				43-22532	thru	43-22451			J USAF 44-35198 thru 44-35399		
		D	USAF	41-39500	thru	41-39599			K USAF 44-34098 thru 44-34762		
		E	USAF	44-34098	thru	44-34762			44-35400 thru 44-35996		
				44-35198	thru	44-35996					

Section II
Group Assembly Parts List

T.O. 1B-26B-4
POWER PLANT

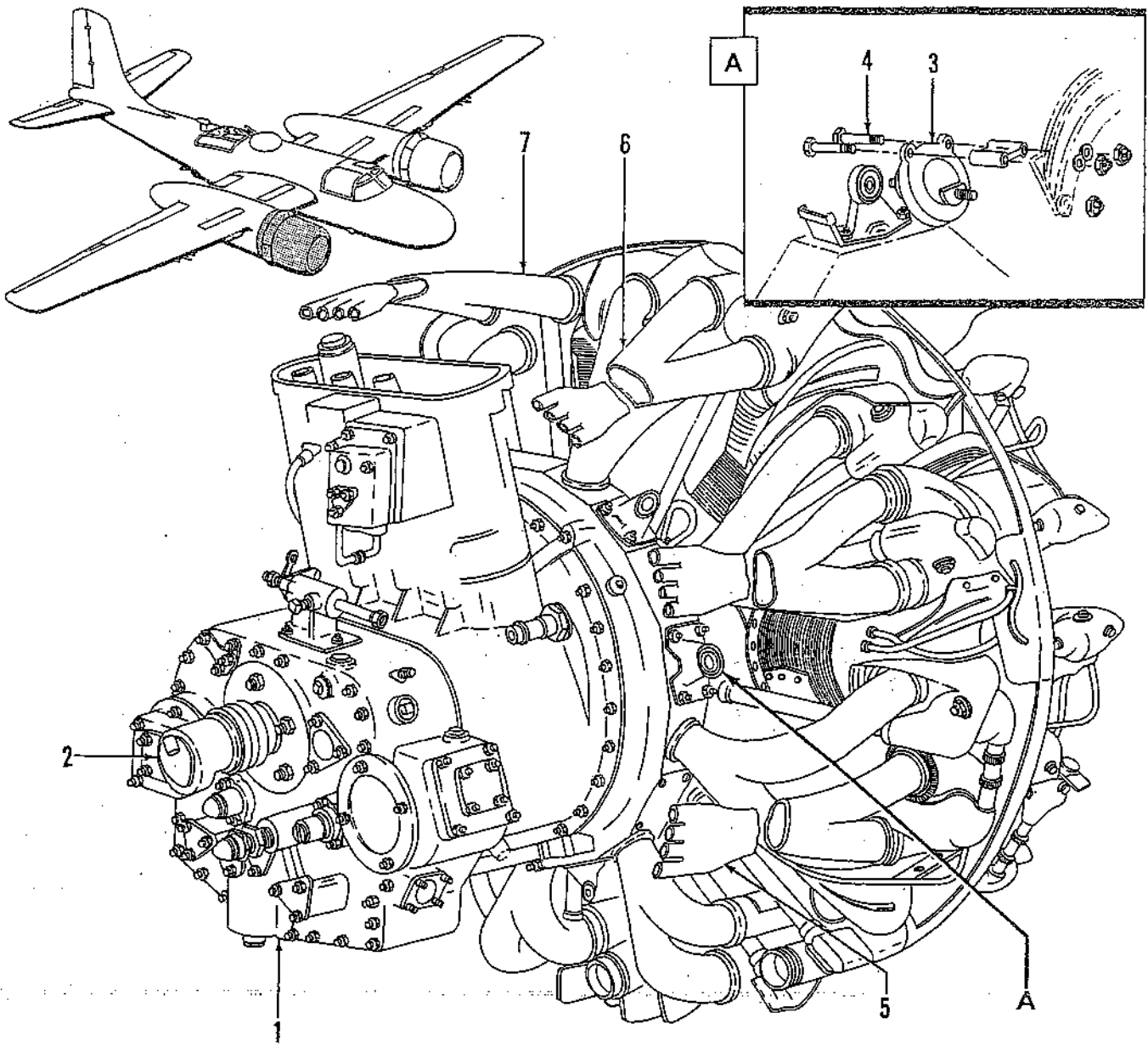


Figure 149. Engine, Accessories and Exhaust Stack Installation

24-3-3, 1

FIGURE & INDEX NO.	PART NO.	1 2 3 4 5 6 7	DESCRIPTION	UNITS PER ASSY	USABLE ON CODE
149-			ENGINE, ACCESSORIES AND EXHAUST STACK INSTL		
	5122329		ENGINE AND ACCESSORIES INSTL (See figure 148)	Ref	A-C
	5275692		ENGINE AND ACCESSORIES INSTL (See figure 148)	Ref	D
-1	R2800-27		ENGINE ASSY (Complete with carburetor) (PWD) (GFP)	1	A
	R2800-71		ENGINE ASSY (Complete with carburetor) (PWD) (GFP)	1	B
	R2800-79		ENGINE ASSY (Complete with carburetor) (PWD) (GFP)	1	C, D
-2	JH4E		STARTER ASSY (JH) (GFP)	1	A-D
-3	MB49058		MOUNT ASSY, Flexible engine (with friction dampers) (MB)	6	A-D
			(ATTACHING PARTS)		
-4	AN6-36		BOLT	2	
	2120868		SPACER, Engine mounting	1	A-D
	AN960-616		WASHER	2	
	AN310-6		NUT	2	

FIGURE & INDEX NO.	PART NO.	1 2 3 4 5 6 7	DESCRIPTION	UNITS PER ASSY	USABLE ON CODE
149-	5122330		EXHAUST STACK INSTL (See figure 148)	Ref	A-D
-5	11-260		STACK ASSY, Exhaust (SOC)	7	A-D
-6	11-261		STACK ASSY, Exhaust (SOC)	1	A-D
-7	11-262		STACK ASSY, Exhaust (SOC)	1	A-D
		A USAF 41-39100 thru 41-39182	C USAF 41-39537 thru 41-39599		
		43-22251 thru 43-22290	43-22595 thru 43-22751		
		B USAF 41-39183 thru 41-39536	44-35198 thru 44-35655		
		43-22291 thru 43-22594	D USAF 44-34098 thru 44-34762		
			44-35656 thru 44-35996		

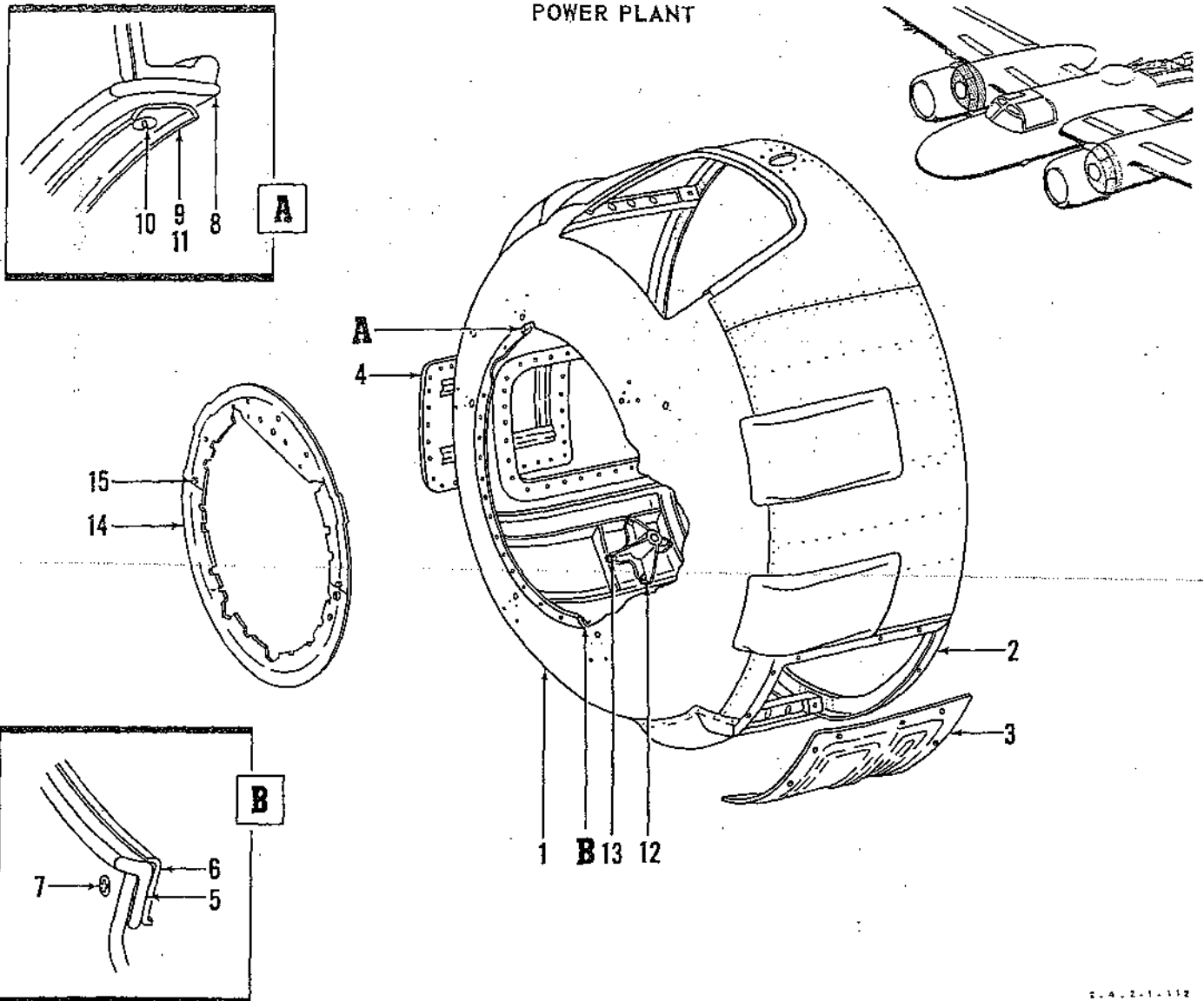


Figure 150. Engine Mount and Fire Seal

T.O. 1B-26B-4

Section II
Group Assembly Parts List

T.O. 1B-26B-4

FIGURE & INDEX NO.	PART NO.	DESCRIPTION							UNITS PER ASSY	USABLE ON CODE			
		1	2	3	4	5	6	7					
150-		ENGINE MOUNT AND FIRE SEAL											
		5202442							Ref	B			
		5209261							Ref	C			
		5208398							Ref	D			
	-1	5123025							1	A			
		5202450							1	B			
		5209263							1	C			
		5208397							1	D			
	-2	5123072							1	A-D			
		5191088							1	A-D			
	-3	5191088-8							1	A-D			
		AN507-1032R8							AR				
		10875 10-10-10							AR				
		5191089							1	A-D			
	-4	5191089-9							1	A-D			
	AN507-1032R8							AR					
	10875 10-10-10							AR					
	2120896							1					
-5								1					
	2123200							2					
-6								AR					
-7	1114189Z6-8							AR					
	2150822							1					
-8								1	A-D				
-9	2150809-4							1	A-D				
-10	AN530-6-8							AR					
	AN960-6							AR					
-11	2150809-6							1	A-D				
	5143778							1	A-D				
-12								1	A-D				
	AN507-1032R12							8	A-D				
-13	AN365-1032							8	A-D				
	5122338							Ref	A-D				
-14	5122338-10							1	A-D				
	5122338-12							1	A-D				
-15	AN507-832R7							2	A-D				
	AN365-832							2	A-D				
		A USAF	41-39100	thru	41-39119					C USAF	41-39325	thru	41-39499
			43-22250	thru	43-22266						43-22437	thru	43-22466
		B USAF	41-39120	thru	41-39324						43-22532	thru	43-22751
			43-22267	thru	43-22436					D USAF	41-39500	thru	41-39599
			43-22467	thru	43-22531						44-34098	thru	44-34762
											44-35198	thru	44-36797

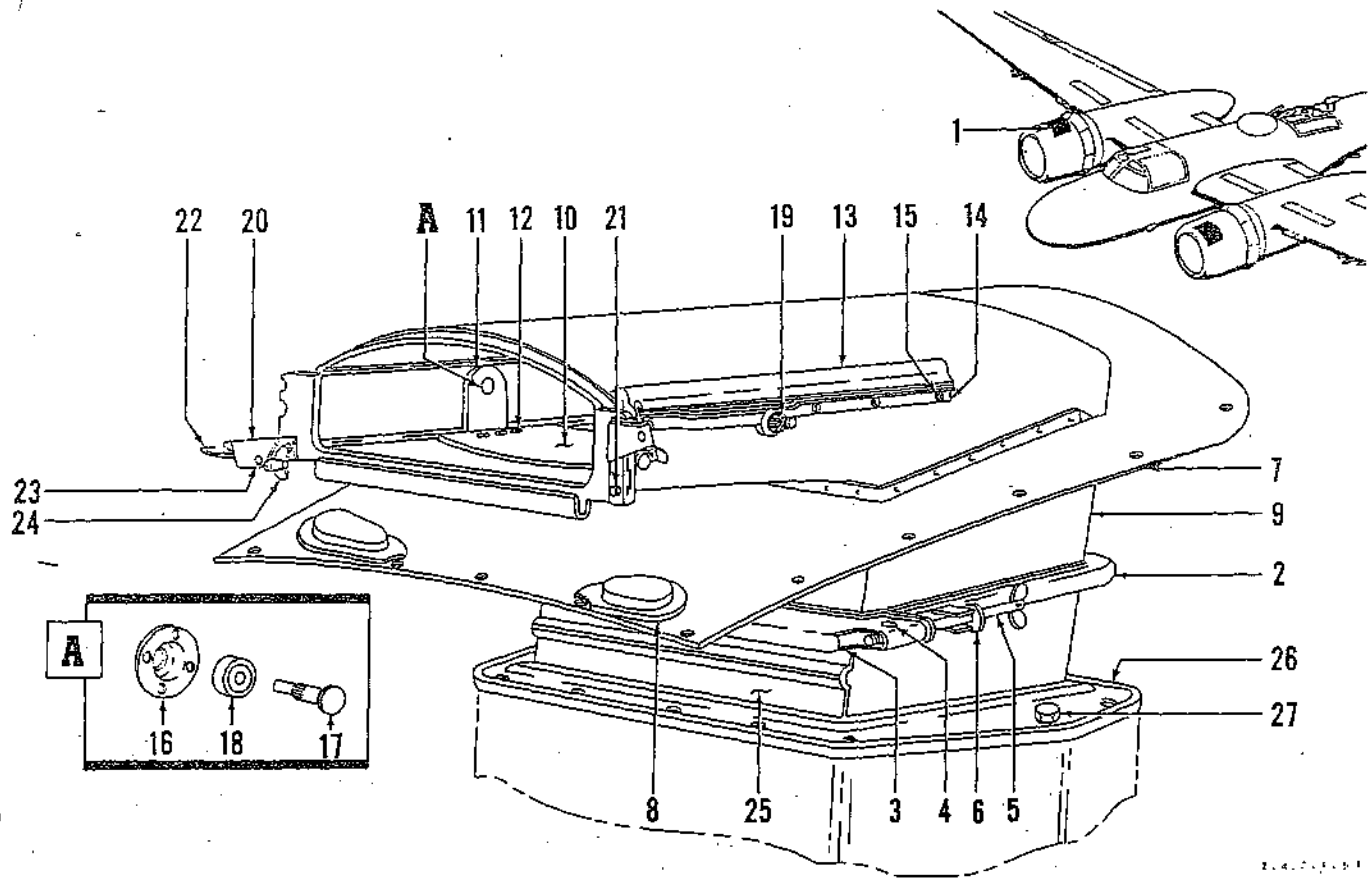


Figure 151. Carburetor Air Induction System Installation

FIGURE & INDEX NO.	PART NO.	1 2 3 4 5 6 7	DESCRIPTION	UNITS PER ASSY	USABLE ON CODE
151-	5122336		INDUCTION SYSTEM INSTL, Carburetor air (see figure 148)	Ref	
-1	5122335		DUCT ASSY, Carburetor air intake elbow	1	
-2	4277716		CLAMP ASSY, Carburetor air flexible joint aft half	1	
-3	4288909		CLAMP, Carburetor air flexible joint forward half	1	
-4	1122881		TRUNNION, Carburetor air elbow flexible joint clamp	2	
-5	2123285		BOLT ASSY, Carburetor air elbow flexible joint clamp wing	2	
-6	2277105		WASHER, Carburetor air elbow wing bolt	2	
-7	5123878		PANEL ASSY, Carburetor elbow and engine mount joint	1	
-8	5123878-2		PANEL	1	
-9	4207225		CAP ASSY, Carburetor elbow panel access door	1	
-10	5123879		ELBOW, Carburetor air duct	1	
-11	4123637		DOOR ASSY, Carburetor hot air	1	
-12	4123610		PLATE, Carburetor hot air door end	1	
-13	AN507-1032-12		SCREW	3	
-14	AN960D10		WASHER	3	
-15	AN365-1032		NUT	3	
-16	4123709		SEAL, Carburetor air duct and cowling flap flexible LH	2	
-17	4123709-1		SEAL, Carburetor air duct and cowling flap flexible RH	2	
-18	4123708		RETAINER, Carburetor air duct and cowling flap seal LH	2	
-19	4123708-1		RETAINER, Carburetor air duct and cowling flap seal RH	2	
-20	AN507-1032-10		SCREW	4	
-21	AN365-1032		WASHER	4	
-22	1122866		RETAINER, Carburetor hot air door bearing	2	
-23	2277509		SHAFT, Carburetor filter air control	1	
-24	AN200KS5		BEARING	2	
-25	AN25-18		BOLT	1	
-26	AN960-S16L		WASHER	1	
-27	AN320-5		NUT	1	
-28	2196629		LATCH ASSY, Carburetor air duct	2	
			(ATTACHING PARTS)		

Section II
Group Assembly Parts List

T.O. 1B-26B-4

FIGURE & INDEX NO.	PART NO.	DESCRIPTION							UNITS PER ASSY	USABLE ON CODE
		1	2	3	4	5	6	7		
151-21	AN3-5 AN960-10 AN310-3								1 1 1	
-22	1195987								2	
-23	1195988								2	
-24	2196630 AN960-10								2 2	
-25	5277186								1	
-26	4279097								1	
-27	182718-10A008 AN960D416								12 12	

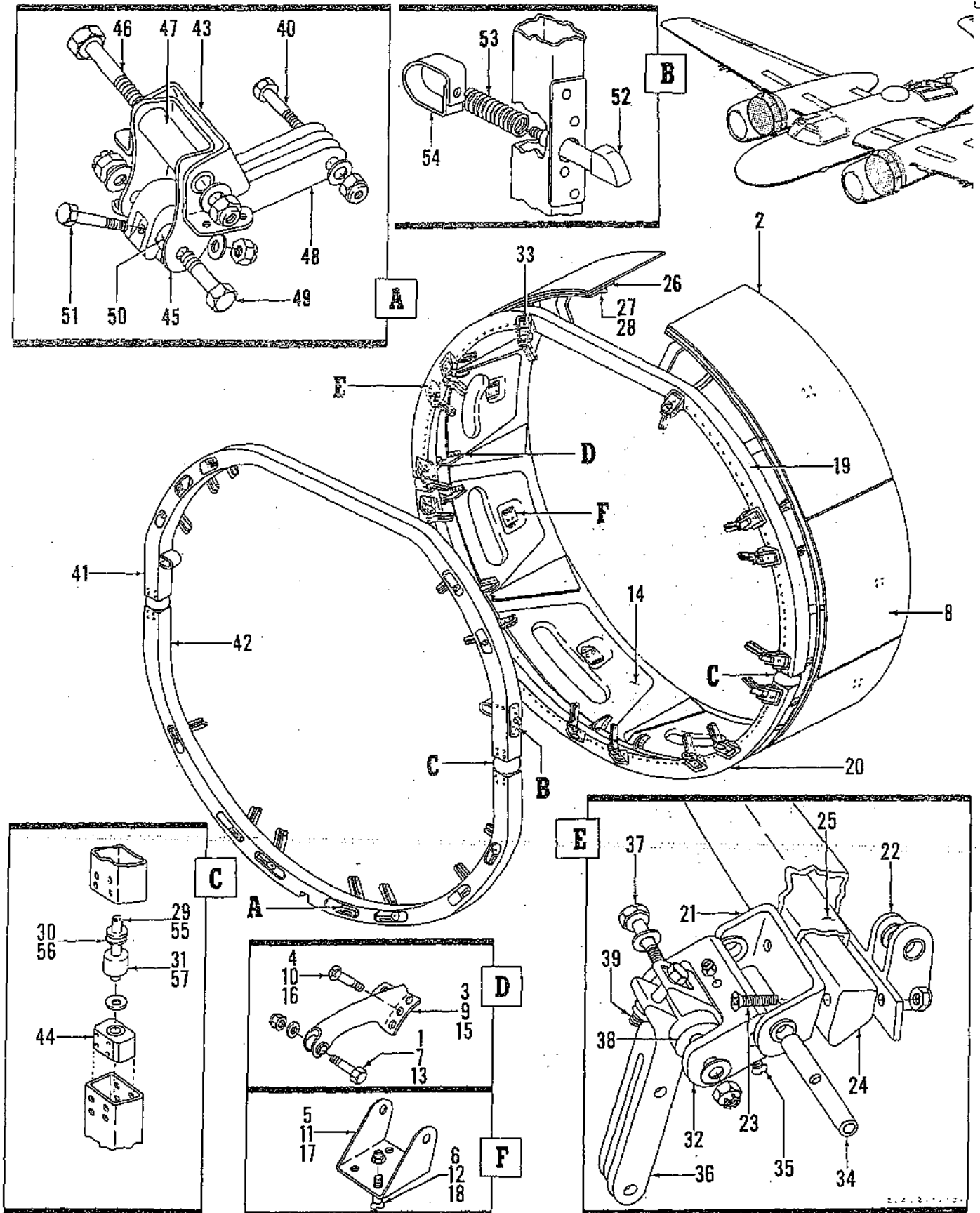


Figure 152. Cowl Flap and Antidrags Ring Support Installation

Group Assembly Parts List

FIGURE & INDEX NO.	PART NO.	DESCRIPTION							UNITS PER ASSY	USABLE ON CODE
		1	2	3	4	5	6	7		
152-	5205635	COWL FLAP AND ANTIDRAG RING SUPPORT INSTL							Ref	A,B
	5125718	RING ASSY, Nonram cowling flap (see figure 148)								
	5125718-1	FLAP ASSY, Cowling upper LH								
-1	AN5-12	FLAP ASSY, Cowling upper RH							1	A,B
	1203712	(ATTACHING PARTS)							2	A,B
	AN960-516	BOLT							2	A,B
	AN310-5	BUSHING, Cowling flap hinge							2	A,B
-2	5125718-12	WASHER							2	A,B
	5125718-13	NUT							2	A,B
-3	4127549	FLAP ASSY, Cowling upper LH							1	A,B
	4127549-1	FLAP ASSY, Cowling upper RH							1	A,B
-4	AN520-10R7	HINGE ASSY, Cowling flap LH							1	A,B
		HINGE ASSY, Cowling flap RH							1	A,B
-5	1122886	(ATTACHING PARTS)							6	A,B
		SCREW							1	A,B
-6	AN507-1032-7	BRACKET, Cowling flap operating mechanism control							4	A,B
	AN365-1032	(ATTACHING PARTS)							4	A,B
-7	5125613	SCREW							3	A
	5125613-1	NUT							3	B
	AN5-12	FLAP ASSY, Lapping cowling							2	A,B
	1203712	BOLT							2	A,B
-8	AN960-516	BUSHING, Cowling flap hinge							2	A,B
	AN310-5	WASHER							2	A,B
-9	5125613-8	NUT							2	A,B
	4127549	FLAP ASSY, Lapping cowling							1	A,B
-10	4127549-1	HINGE ASSY, Cowling flap LH							1	A,B
		HINGE ASSY, Cowling flap RH							1	A,B
-11	AN520-10R7	(ATTACHING PARTS)							6	A,B
		SCREW							1	A,B
-12	1122886	BRACKET, Cowling flap operating mechanism control							4	A,B
	AN507-1032-7	(ATTACHING PARTS)							4	A,B
-13	AN365-1032	SCREW							4	A,B
		NUT							4	A,B
-14	5128459	FLAP ASSY, Overlapping type lower cowling							1	A
	5128459-1	FLAP ASSY, Overlapping type lower cowling							1	B
	5209595	FLAP ASSY, Overlapping type lower cowling							2	B
-15	AN5-12	(ATTACHING PARTS)							2	A,B
	1203712	BOLT							2	A,B
	AN960-516	BUSHING							2	A,B
	AN310-5	WASHER							2	A,B
-16	5205786	NUT							2	A,B
	5205786-8	FLAP ASSY, Lower cowling							1	A,B
-17	4127549	FLAP ASSY, Lower cowling							1	A,B
	4127549-1	HINGE ASSY, Cowling flap LH							1	A,B
-18	AN520-10R7	HINGE ASSY, Cowling flap RH							1	A,B
		(ATTACHING PARTS)							6	A,B
-19	1122886	SCREW							1	A,B
	AN507-1032-7	BRACKET, Cowling flap operating mechanism control							4	A,B
-20	AN365-1032	(ATTACHING PARTS)							4	A,B
		SCREW							4	A,B
-21	5202491-16	NUT							1	A,B
	5202491-14	BOW ASSY, Antidrag ring upper rear (nonram)							1	A,B
-22	1125871	BOW ASSY, Antidrag ring lower rear (nonram)							8	A,B
	1125874	FITTING ASSY, Antidrag ring rear bow attaching							2	A,B
-23	1125897	BUSHING, Antidrag ring rear bow attaching							4	A,B
	1125897-1	(upset into place)							4	A,B
-24	AN509-416R27	BRACKET ASSY, Cowling flap hinge LH							2	A,B
	AN365-428	BRACKET ASSY, Cowling flap hinge RH							2	A,B
-25	1125967	(ATTACHING PARTS)							2	A,B
	1155561	SCREW (formerly 1029421-416-28)							2	A,B
-26	2033900-SDO25-022	NUT							2	A,B
	5202491-22	BUSHING, Cowling flap hinge bracket (press to fit)							6	A,B
-27	5202491-24	STOP, Antidrag rear bow link (used on 5202491-16)							2	A,B
	4195252-2	TUBE, 24ST aluminum alloy (used on 5202491-16)							2	A,B
-28	4195252-3	SEAL, Antidrag ring neoprene upper rear							1	A,B
	4195252-4	SEAL, Antidrag ring neoprene lower rear							1	A,B
-29	1125867	RETAINER, Cowling flap seal upper LH							1	A,B
	143908-017S104-062	RETAINER, Cowling flap seal upper RH							1	A,B
-30	1080930-08E312-028	RETAINER, Cowling flap seal lower							2	A,B
	1155553	CONNECTOR, Antidrag ring rear bow							2	A,B
-31	1125872	WASHER							2	A,B
		TUBE, Synthetic rubber 50-60 shore hardness							2	A,B
-32		LINK, Antidrag ring rear bow attaching							14	A,B
		LINK, Antidrag ring rear bow attaching top							2	A,B

FIGURE & INDEX NO.	PART NO.	DESCRIPTION							UNITS PER ASSY	USABLE ON CODE
		1	2	3	4	5	6	7		
							(ATTACHING PARTS)			
152-34	1127641						BUSHING, Antidrag ring rear bow attaching	1	A,B	
-35	AN507-1032-14 AN365-1032						SCREW	1	A,B	
							NUT	1	A,B	

-36	2155119						BRACKET, Cowling flap ring engine attaching	16	A,B	
							(ATTACHING PARTS)			
-37	AN4-23 AN960-10 AN310-4						BOLT	1	A,B	
							WASHER	2	A,B	
							NUT	1	A,B	

-38	SK470-0B						BUSHING, Engine cowling mount 3/4 by 1-3/16 in. (LMC)	16	A,B	
-39	AN3-14A AN365-1032 5123959 5123959-18 5123959-16						BOLT	16	A,B	
							NUT	16	A,B	
							SUPPORT INSTL, Antidrag ring forward (see figure 148)	Ref	A,B	
							BOW ASSY, Antidrag ring forward support upper	1	A,B	
							BOW ASSY, Antidrag ring forward support lower	1	A,B	
							(ATTACHING PARTS)			
-40	AN4-10A AN960D416 AN365-428						BOLT	12	A,B	
							WASHER	12	A,B	
							NUT	12	A,B	

-41	5123959-14						BOW ASSY, Antidrag ring forward support upper	1	A,B	
-42	5123959-12						BOW ASSY, Antidrag ring forward support lower	1	A,B	
-43	1125876 1125877						FITTING ASSY, Antidrag ring forward bow support	12	A,B	
							BUSHING, Antidrag ring forward bow support fitting	2	A,B	
-44	1125892 1125902						BLOCK ASSY, Antidrag ring front and rear bow	4	A,B	
							BUSHING, Antidrag ring forward bow block	4	A,B	
-45	1125878						LINK ASSY, Antidrag ring forward bow support	12	A,B	
							(ATTACHING PARTS)			
-46	AN3-20A AN960-10 AN365-1032						BOLT	1	A,B	
							WASHER	1	A,B	
							NUT	1	A,B	

-47	1125875						BUSHING, Antidrag ring forward bow attaching	12	A,B	
-48	2126560						BRACKET, Antidrag ring forward bow engine attaching	12	A,B	
							(ATTACHING PARTS)			
-49	AN4-16 AN960-416 AN310-4						BOLT	1	A,B	
							WASHER	1	A,B	
							NUT	1	A,B	

-50	SK470-1B						BUSHING, Engine cowling mount 3/4 by 3/16-in. (LO)	1	A,B	
-51	AN3-7A AN310-3						BOLT	1	A,B	
							NUT	1	A,B	
-52	1193975						LATCH, Upper cowling hold down (used on 5123959-14)	2	A,B	
-53	1193976						SPRING, Upper cowling hold down latch (used on 5123959-14)	2	A,B	
-54	1194860						RING, Cowling antirotation release (used on 5123959-14)	2	A,B	
-55	1125867						CONNECTOR, Antidrag ring forward bow	2	A,B	
-56	143908-017S104-062						WASHER	4	A,B	
-57	1080930-08E312-028						TUBE, Synthetic rubber 50-60 shore hardness	2	A,B	
							A USAF 41-39100 thru 41-39318			
							43-22267 thru 43-22651			
							B USAF 41-39319 thru 41-39599			
							44-34098 thru 44-35862			
							43-22652 thru 43-22751			
							44-35198 thru 44-35996			

Section II
Group Assembly Parts List

T.O. 1B-26B-4
POWER PLANT

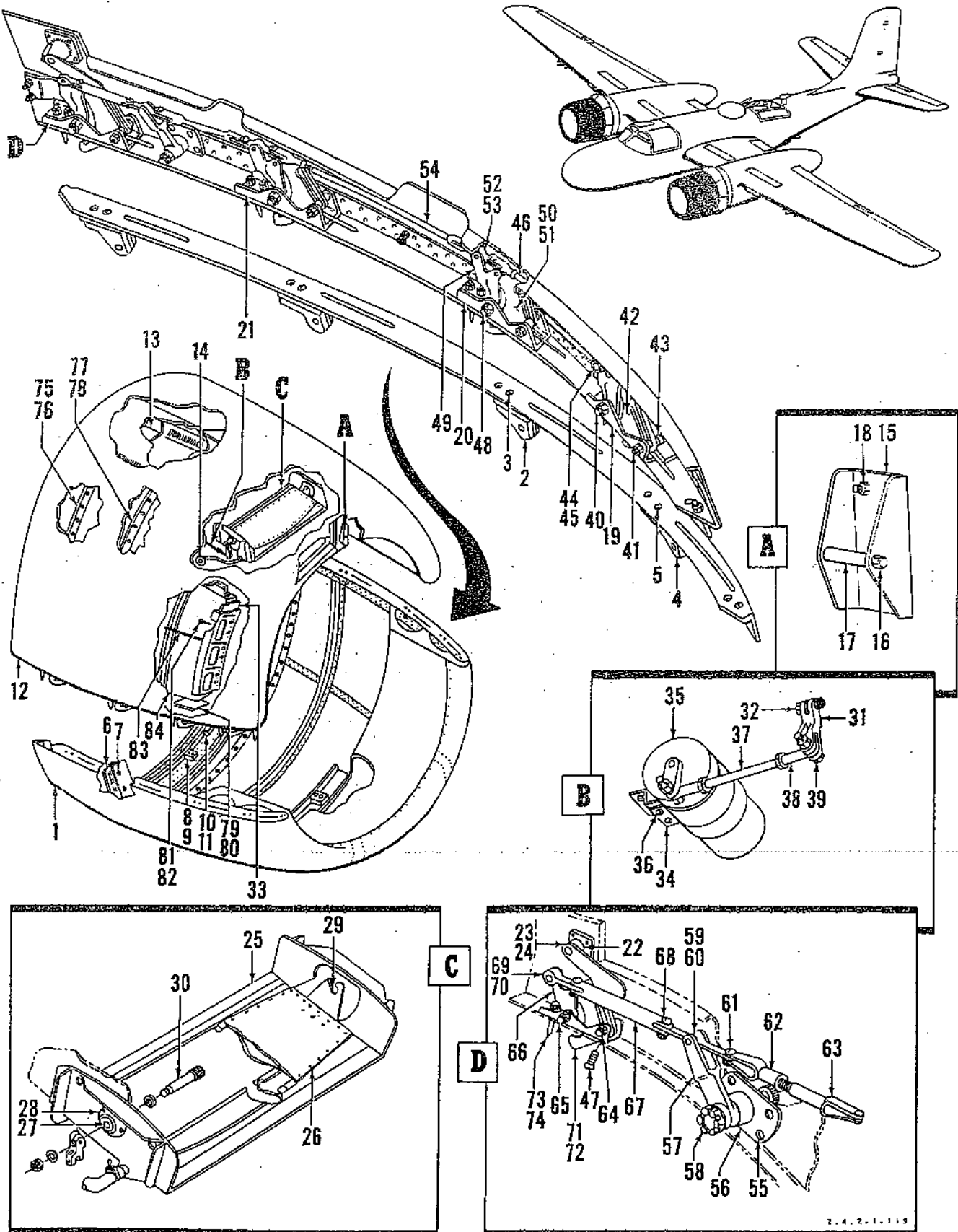


Figure 153. Complete Nonram Antidrag Ring Assembly

FIGURE & INDEX NO.	PART NO.	1	2	3	4	5	6	7	DESCRIPTION	UNITS PER ASSY	USABLE ON CODE
153-	5202434								RING ASSY, Complete nonram antidrags (see figure 148)	Ref	A
	5129738								RING ASSY, Lower antidrags complete	1	A
-1	5129738-2								RIVET ASSY, Lower antidrags ring	1	A
-2	1193252								LOCK ASSY, Antidrags ring fastener LH	3	A
	1193252-1								LOCK ASSY, Antidrags ring fastener RH	3	A
									(ATTACHING PARTS)		
-3	AN507-1032-12								SCREW	AR	A
	AN960D10								WASHER	AR	A
	AN365-1032								NUT	AR	A
	AN364-1032								NUT	AR	A
									--- * ---		
	146142-377-026								PEN	1	A
-4	1193251								LOCK ASSY, Antidrags ring fastener front LH	1	A
	1193251-1								LOCK ASSY, Antidrags ring fastener front RH	1	A
									(ATTACHING PARTS)		
-5	AN507-1032-2								SCREW	10	A
	AN960-10								WASHER	10	A
	AN365-1032								NUT	10	A
									--- * ---		
-6	1127643								SEAL	1	A
-7	49380-1								FASTENER (UC)	AR	A
-8	1205200								STOP, Antidrags ring rotational	4	A
									(ATTACHING PARTS)		
-9	AN507-1032R12								SCREW (formerly 1087510-10-12)	4	A
	AN364-1032								NUT	4	A
									--- * ---		
-10	2275177								BLOCK	2	A
									(ATTACHING PARTS)		
-11	AN507-1032R12								SCREW (formerly 1087510-10-12)	4	A
	AN960D10								WASHER	4	A
	AN364-1032								NUT	4	A
									--- * ---		
-12	5202435								SEGMENT ASSY, Antidrags ring upper complete	1	A
-13	5202435-2								SEGMENT ASSY, Antidrags ring upper	1	A
-14	5194627								SLEEVE	1	A
-15	2158573								FITTING	2	A
	2195031								STOP	1	A
	2195031-1								STOP	1	A
									(ATTACHING PARTS)		
-16	AN4-15A								BOLT	2	A
	AN960D416								WASHER	2	A
	AN365-428								NUT	2	A
-17	2033900-6S049-030								TUBE	2	A
-18	AN507-1032R9								SCREW (formerly 1087510-10-9)	2	A
	AN960D10								WASHER	2	A
	AN365-1032								NUT	2	A
									--- * ---		
-19	2191127								BRACKET, Antidrags ring forward support LH	1	A
	2191127-1								BRACKET, Antidrags ring forward support RH	1	A
-20	2191126								BRACKET, Antidrags ring forward center support LH	1	A
	2191126-1								BRACKET, Antidrags ring forward center support RH	1	A
-21	2191125								BRACKET, Antidrags ring rear support LH	2	A
	2191125-1								BRACKET, Antidrags ring rear support RH	2	A
									(ATTACHING PARTS)		
	1087510-10-10								SCREW	AR	A
	AN507-1032R9								SCREW (formerly 1087510-10-9)	AR	A
	1029421-10-12								SCREW	AR	A
	1029421-10-10								SCREW	AR	A
	AN960-10								WASHER	AR	A
	AN365-1032								NUT	AR	A
									--- * ---		
-22	2192753								LOCK ASSY, Antidrags ring fastener	2	A
-23	2192752								SOCKET	1	A
-24	1193309								PIN	1	A
	1193310								SPRING	1	A
-25	5202627								HOUSING ASSY, Carburetor nonram air filter	1	A
-26	5196859								HOUSING, Carburetor air filter door	1	A
-27	5196867								DOOR ASSY	1	A
-28	AN200KS5								BEARING	2	A
-29	1210460								RETAINER	2	A
	AN25-16								BOLT	1	A
	AN320-5								NUT	1	A
	AN960D516								WASHER	1	A
	124682-5S12-093								WASHER	1	A
-30	2277508								SHAFT	1	A
	AN320-4								NUT	1	A
	AN950-416L								WASHER	1	A
	124682-5S12-093								WASHER	1	A
-31	1210485								ARM	1	A
-32	AN3-7								BOLT	1	A
	AN320-3								NUT	1	A
-33	5202681								RUNNER, Antidrags ring filter	2	A
	5202682								SEAL ASSY, Antidrags ring filter runner forward	2	A
-34	4207680								CRADLE, Carburetor air filter door motor	1	A
-35	AYLCS091								MOTOR (BBC)	1	A

Section II
Group Assembly Parts List

T.O. 1B-26B-4

FIGURE & INDEX NO.	PART NO.	1	2	3	4	5	6	7	DESCRIPTION	UNITS PER ASSY	USABLE ON CODE
									(ATTACHING PARTS)		
153-36	AN520-416-14								SCREW	2	A
	AN960-416								WASHER	4	A
	AN365-428								NUT	2	A
									-----*		
-37	NAS94-4000								ROD	1	A
-38	REB3N								END (FAF)	2	A
	AN316-4R								NUT	2	A
-39	AN3-11								BOLT	2	A
	AN310-5								NUT	2	A
	2126796								LEVER ASSY, Antidrag ring fastener front LH	1	A
	2126796-1								LEVER ASSY, Antidrag ring fastener front RH	1	A
									(ATTACHING PARTS)		
-40	1127751-1								SCREW	2	A
	1026614-4-027								SPACER	2	A
	AN960D416								WASHER	2	A
	AN310-4								NUT	2	A
-41	1029421-10-24								SCREW	2	A
	117425-3C027								SPACER	2	A
	AN960-10								WASHER	2	A
	AN365-1032								NUT	2	A
									-----*		
	2126857								LEVER, Antidrag ring fastener front LH	1	A
	2126857-1								LEVER, Antidrag ring fastener front RH	1	A
-42	1125959								HOOK	1	A
-43	1128942								SPACER	1	A
-44	1127784								LINK	1	A
-45	1026614-3-017								SPACER	1	A
-46	4152689-4								ROD ASSY, Antidrag ring fastener control	2	A
	4152689-16								ROD	1	A
	AN486-4								CLEVIS	1	A
	2126794								LEVER ASSY, Antidrag ring fastener LH	2	A
	2126794-1								LEVER ASSY, Antidrag ring fastener RH	2	A
									(ATTACHING PARTS)		
-47	1029421-10-24								SCREW	2	A
	1026614-4-021								SPACER	2	A
	AN960-10								WASHER	2	A
	AN365-1032								NUT	2	A
-48	1127751								SCREW	1	A
	1026614-4-023								SPACER	1	A
	AN960D416								WASHER	1	A
	AN310-4								NUT	1	A
									-----*		
-49	2126623								LEVER, Antidrag ring fastener aft LH	2	A
	2126623-1								LEVER, Antidrag ring fastener aft RH	2	A
-50	1125959								HOOK	1	A
-51	1128942								SPACER	1	A
-52	1125958								LINK	1	A
-53	1026614-4-017								SPACER	1	A
-54	4152689-2								ROD ASSY, Antidrag ring fastener control	2	A
	4152689-14								ROD	1	A
	AN486-4								CLEVIS	1	A
	4152690								LEVER ASSY, Antidrag ring fastener operating	2	A
									(ATTACHING PARTS)		
-55	AN507-1032R12								SCREW (formerly 1087510-10-12)	4	A
	AN960-10								WASHER	4	A
	AN365-1032								NUT	4	A
									-----*		
-56	2153874								SUPPORT ASSY, Antidrag ring fastener operating bolt lever	1	A
	A858-1								BEARING (AXD)	1	A
-57	2153872								LEVER	1	A
									(ATTACHING PARTS)		
-58	1154352								BOLT	1	A
	AN320-8								NUT	1	A
									-----*		
-59	1125958								LINK	1	A
-60	1026614-13-017								SPACER	1	A
	2156982								ROD ASSY, Antidrag ring fastener intermediate control	2	A
									(ATTACHING PARTS)		
-61	AN23-10								BOLT	AR	A
	AN320-3								NUT	AR	A
									-----*		
-62	2156982-4								ROD	15	A
-63	AN486-4								CLEVIS	1	A
	2126795								LEVER ASSY, Antidrag ring fastener aft LH	1	A
	2126795-1								LEVER ASSY, Antidrag ring fastener aft RH	1	A
									(ATTACHING PARTS)		
-64	1029421-10-24								SCREW	2	A
	1026614-04-021								SPACER	2	A
	AN960-10								WASHER	2	A
	AN365-1032								NUT	2	A
-65	1127751								SCREW	1	A
	1026614-4-023								SPACER	1	A
	AN960D416								WASHER	1	A
	AN310-4								NUT	1	A
									-----*		
-66	2126623								LEVER, Antidrag ring fastener aft LH	1	A

FIGURE & INDEX NO.	PART NO.	1	2	3	4	5	6	7	DESCRIPTION	UNITS PER ASSY	USABLE ON CODE
153-	2126623-1								LEVER, Antidrag ring fastener aft RH.....	1	A
-67	2206735								LINK.....	1	A
	2206735-1								LINK.....	1	A
-68	AN23-10								BOLT.....	1	A
	AN920-3								NUT.....	1	A
-69	1127784								LINK.....	1	A
-70	1026614-3-017								SPACER.....	1	A
-71	1125959								HOOK.....	1	A
-72	1128942								SPACER.....	1	A
-73	1193253								PIN.....	10	A
									(ATTACHING PARTS)		
-74	AN960D416								WASHER.....	1	A
	AN365-428								NUT.....	1	A
									---*---		
-75	1202679								SEAL ASSY, Antidrag ring filter aft.....	2	A
									(ATTACHING PARTS)		
-76	AN530-8-8								SCREW.....	10	A
	A1778-8Z1								NUT (TIN).....	10	A
									---*---		
-77	1127642								SEAL.....	1	A
-78	49380-1								FASTENER (UC).....	46	A
-79	2202689								DOOR ASSY, Antidrag ring filter LH.....	1	A
	2202689-1								DOOR ASSY, Antidrag ring filter RH.....	1	A
									(ATTACHING PARTS)		
-80	1000759S120-713								PIN.....	2	A
-81	AN530-8-8								SCREW.....	AR	A
-82	AN530-8-6								SCREW.....	AR	A
	A6069-8Z1								NUT (TIN).....	AR	A
-83	1202785								BOLT.....	4	A
	AN960-10D								WASHER.....	4	A
	117425-3D724								SPACER.....	4	A
	AN365-1032								NUT.....	4	A
									---*---		
-84	5196810								FILTER ASSY, Carburetor air.....	2	A
									A USAF 41-39100 thru 41-39599		
									44-34098 thru 44-34762		
									43-22267 thru 43-22751		
									44-35198 thru 44-35996		

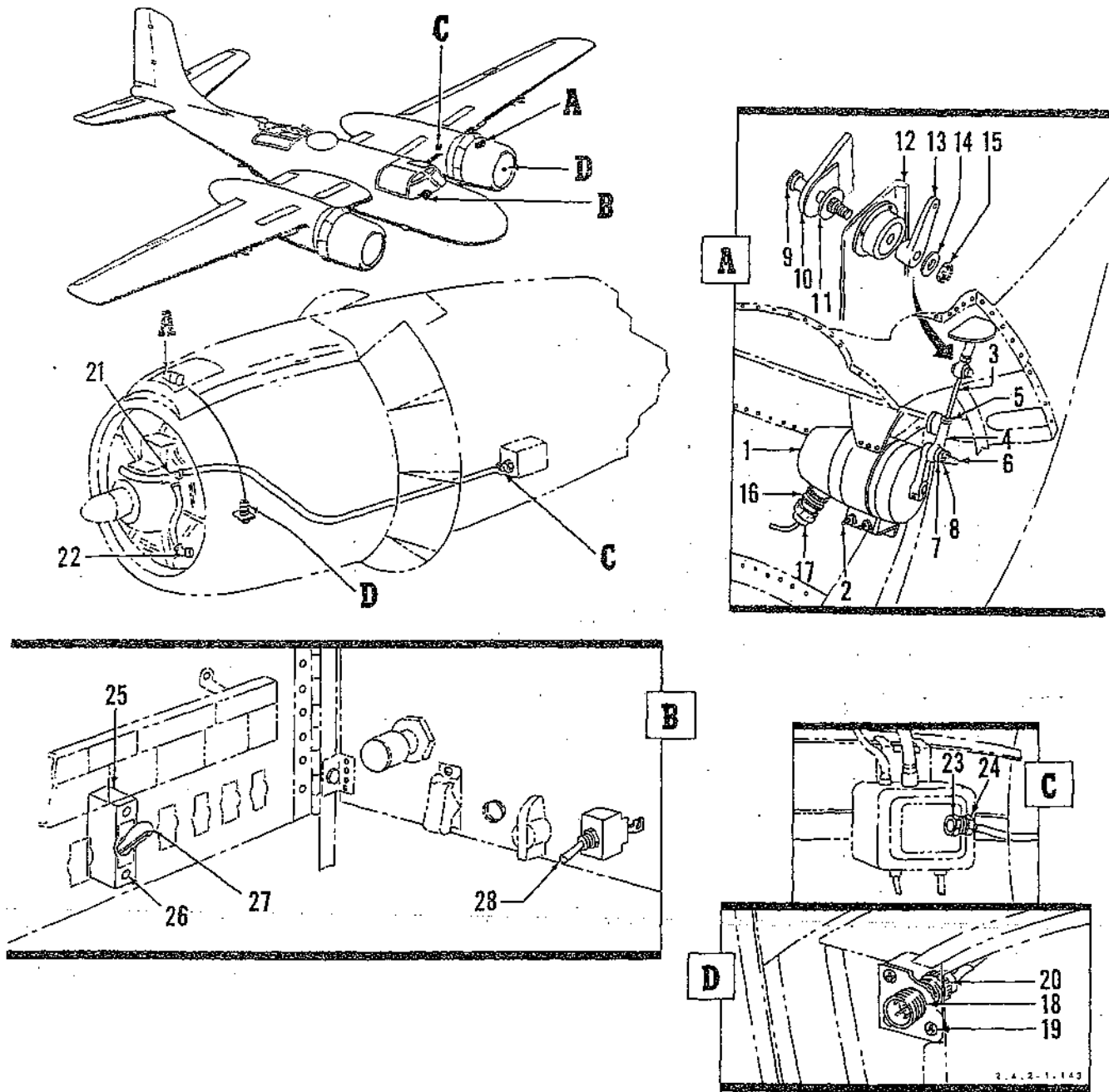


Figure 154. Nonram Carburetor Air Filter Electrical Control Kit Installation

FIGURE & INDEX NO.	PART NO.	DESCRIPTION							UNITS PER ASSY	USABLE ON CODE
		1	2	3	4	5	6	7		
154		KIT INSTL, Nonram carburetor air filter electrical control (T.O. 1B-26-63)								
-1	AYLC5091	Motor (BBC)							2	
		(ATTACHING PARTS)								
-2	AN520-416-14	SCREW							2	
	AN960-416	WASHER							4	
	AN365-428	NUT							2	
		- - - * - - -								
-3	NAS354-4-4000	ROD							2	
-4	REB3N	ROD, End							4	
-5	AN316-4R	NUT							4	
-6	AN3-11	BOLT							4	
-7	AN960-10	WASHER							8	
-8	AN310-3	NUT							4	
-9	2277508	SHAFT, Carburetor air filter door control							2	
-10	5196867	DOOR ASSY, Carburetor air filter							2	
-11	124682-5S12-093	WASHER							2	
-12	5196859	HOUSING, Carburetor air filter door							1	
-13	1210435	ARM, Carburetor air filter door control							2	
-14	AN960C416L	WASHER							2	
-15	AN320-4	NUT							2	
-16	AN3106-18-4S	PLUG							2	
-17	AN3057-10	ADAPTER							2	
-18	AN3100-14S2P	RECEPTACLE							2	
		(ATTACHING PARTS)								
-19	AN515-4-6	SCREW							4	
	AN365D440	NUT							4	
		- - - * - - -								
-20	AN3057-6	ADAPTER							1	
-21	2126621	TEE ASSY, Electrical conduit							2	
-22	AN3108-14S2S	PLUG							1	
-23	AN3064-6	CONNECTOR							2	
-24	AN3066-6	NUT							2	
-25	AN3160-20	CIRCUIT BREAKER							1	
		(ATTACHING PARTS)								
-26	AN515-6-7	SCREW							2	
		- - - * - - -								
-27	49-1416	GUARD, Switch							1	
-28	AN3027-3	SWITCH							1	

Section II
Group Assembly Parts List

T.O. 1B-26B-4
POWER PLANT

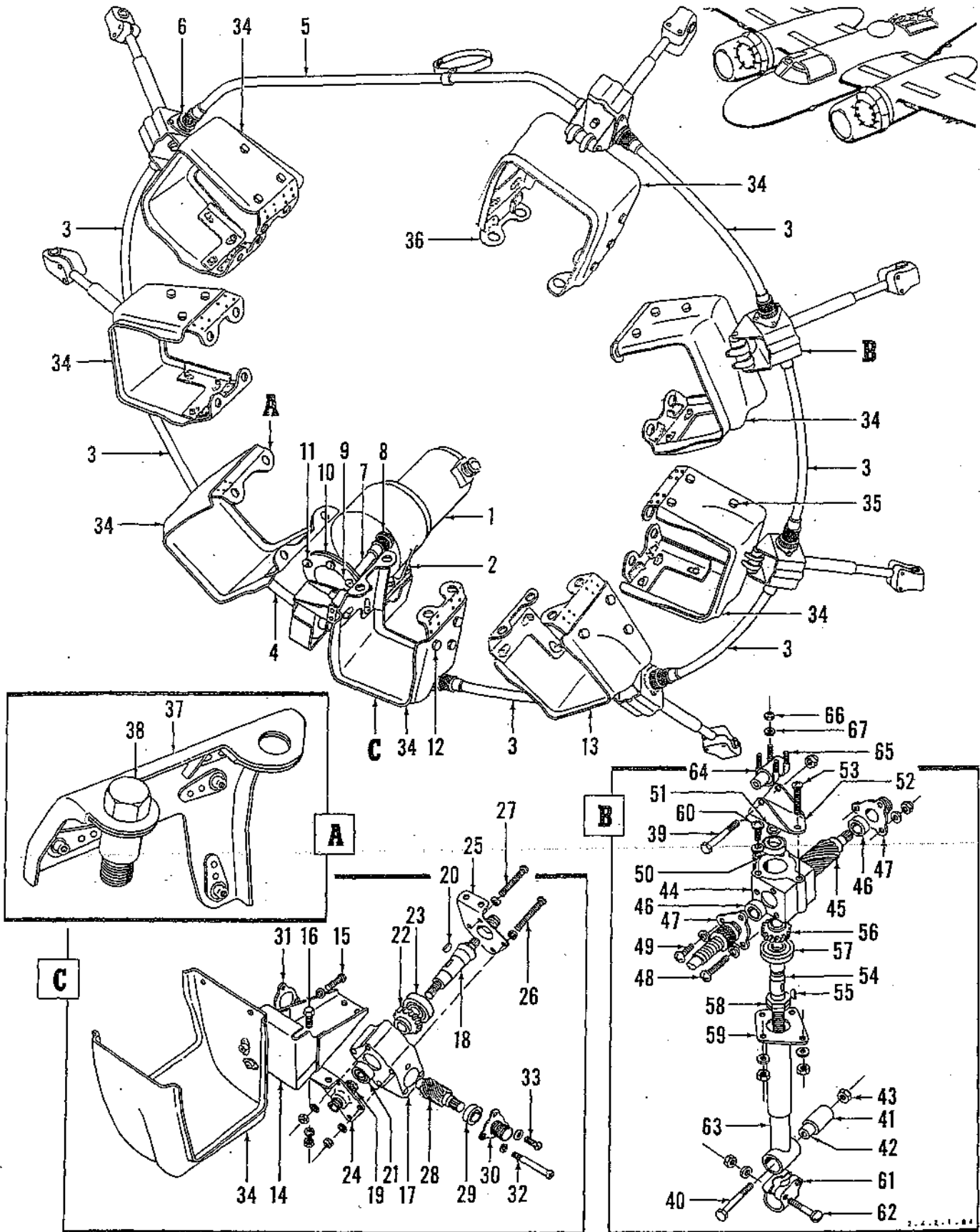


Figure 155. Cowl-Flap Operating Mechanism Installation

FIGURE & INDEX NO.	PART NO.	DESCRIPTION							UNITS PER ASSY	USABLE ON CODE
		1	2	3	4	5	6	7		
155-	5122341	COWL FLAP OPERATING MECHANISM INSTL (see figure 148)							Ref	A
-1	5195405	DRIVE ASSY, Cowling flap electric (see T.O. 8D1-5-8-4)							1	A
		(ATTACHING PARTS)								
-2	AN3-6A	BOLT							4	A
	AN365-1032	NUT							4	A
-3	4196969-2	SHAFT ASSY, Cowling flap operating mechanism flexible							6	A
-4	4196969-4	SHAFT ASSY, Cowling flap operating mechanism flexible							2	A
-5	4196969-6	SHAFT ASSY, Cowling flap operating mechanism flexible							1	A
		(ATTACHING PARTS)								
-6	1125818	NUT							2	A
-7	4196970	SHAFT ASSY, Cowling flap operating drive unit flexible							1	A
		(ATTACHING PARTS)								
-8	1125818	NUT							2	A
-9	2123299	SEAL, Cowling flap drive flexible shaft							1	A
-10	2123298	PLATE, Cowling flap drive flexible shaft seal							1	A
		(ATTACHING PARTS)								
-11	AN525-10-8	SCREW							5	A
	AN365-1032	NUT							5	A
	4123640	BRACKET ASSY, Cowling flap operating and drive mechanism support							1	A
		(ATTACHING PARTS)								
-12	AN3-4A	BOLT							6	A
	AN960-10L	WASHER							6	A
-13	5123819	BRACKET, Cowling flap operating mechanism support							1	A
-14	4123639	BRACKET ASSY, Cowling flap drive mechanism support							1	A
-15	AN3-4A	BOLT							2	A
	AN960-10L	WASHER							2	A
	4123658	GEAR ASSY, Cowling flap operating drive unit							1	A
		(ATTACHING PARTS)								
-16	AN3-4A	BOLT							4	A
	AN960-10L	WASHER							8	A
	AN365-1032	NUT							4	A
-17	4123665	HOUSING, Cowling flap operating gear							1	A
-18	2123293	SHAFT, Cowling flap operating drive unit							1	A
-19	AN320-6	NUT							1	A
-20	AN280H204	KEY							1	A
-21	T77039	BEARING, Ball (TOR)							1	A
-22	4123660	GEAR, Cowling flap operating drive unit							1	A
-23	201KDD	BEARING, Ball (FAF)							1	A
-24	2126505	BRACKET ASSY, Cowling flap drive unit support LH							1	A
-25	2126505-1	BRACKET ASSY, Cowling flap drive unit support RH							1	A
		(ATTACHING PARTS)								
-26	AN501A10-30	SCREW (formerly 1027307-10-30)							2	A
	AN960D10	WASHER							4	A
	AN365-1032	NUT							2	A
-27	AN500A6-28	SCREW (formerly 1027306-6-28)							2	A
	AN960D6	WASHER							4	A
	AN365-632	NUT							2	A
-28	4123607	WORM, Cowling flap operating drive unit							1	A
-29	38KDD	BEARING, Ball (FAF)							2	A
-30	1122864	PLATE, Cowling flap operating drive unit tachometer shaft							1	A
-31	1122865	PLATE, Cowling flap operating drive unit bearing							1	A
		(ATTACHING PARTS)								
-32	AN500A4-35	SCREW (formerly 1027306-4-35)							2	A
	AN960D4	WASHER							4	A
	AN365-440	NUT							2	A
-33	AN500A4-6	SCREW (formerly 1027306-4-6)							2	A
	AN935-4	WASHER							2	A
-34	5123819	BRACKET, Cowling flap operating mechanism support							7	A
		(ATTACHING PARTS)								
-35	AN3-4A	BOLT (Five used for bracket with 1029679-P10-8)							6	A
	1029679P10-8	SCREW							1	A
	AN960-10L	WASHER							6	A
-36	4123641-6	BRACKET ASSY, Cowling flap operating mechanism inner support LH							6	A
	4123641-7	BRACKET ASSY, Cowling flap operating mechanism inner support RH							6	A
-37	4123641-8	BRACKET ASSY, Cowling flap operating mechanism inner support LH							2	A
	4123641-9	BRACKET ASSY, Cowling flap operating mechanism inner support RH							2	A
		(ATTACHING PARTS)								

Section II
Group Assembly Parts List

T.O. 1B-26B-4

FIGURE & INDEX NO.	PART NO.	1	2	3	4	5	6	7	DESCRIPTION	UNITS PER ASSY	USABLE ON CODE
155-38	AN5-5A 2033900-9S005-009								BOLT (formerly 132100-5-6A)	2	A
	4123657								SPACER	2	A
									GEAR ASSY, Cowling flap operating unit (ATTACHING PARTS)	8	A
-39	AN3-16A 2033901-4S191-109								BOLT	1	A
	AN365-1032								SPACER	1	A
	AN3-16A								NUT	1	A
-40	AN3-16A								BOLT	1	A
-41	SK470-1								MOUNTING	1	A
-42	2033901-4S191-109								SPACER	1	A
-43	AN365-1032								NUT	1	A
									HOUSING, Cowling flap operating gear	1	A
-44	4123665								WORM, Cowling flap operating unit	1	A
-45	4123609								BEARING, Ball (FAF)	2	A
-46	38KDD								PLATE, Cowling flap operating unit tachometer shaft (ATTACHING PARTS)	2	A
-47	1122864								SCREW	2	A
	1027306-4-35								WASHER	2	A
	AN935-4								WASHER	2	A
	AN960D4								NUT	2	A
	AN365-440								SCREW (formerly 1027306-4-6)	1	A
-49	AN500A4-6								NUT	1	A
	AN365-440								BEARING, Ball (TOR)	1	A
-50	T77039								WASHER, Cowling flap operating unit "C"	1	A
-51	1125816								BRACKET, Cowling flap operating unit support (ATTACHING PARTS)	1	A
-52	2126507								SCREW (formerly AN501A10-29)	2	A
	AN501A10-29								WASHER	2	A
	AN960D10								NUT	2	A
	AN365-1032								SCREW, Cowling flap operating	1	A
-54	2178506								WASHER	2	A
	AN960C10L								WASHER	1	A
	2110163E003-008-005								KEY	1	A
-55	AN280H204								GEAR, Cowling flap operating unit	1	A
-56	4123659								BEARING, Ball (FAF)	1	A
-57	201KDD								NUT, Cowling flap operating unit bearing retainer	2	A
-58	1125893								COVER ASSY, Cowling flap operating unit gear (ATTACHING PARTS)	1	A
-59	2126501								SCREW	2	A
	1027306-6-27								WASHER	4	A
-60	AN960D6								NUT	2	A
	AN365-632								CLAMP, Cowling flap operating unit nut support (ATTACHING PARTS)	1	A
-61	1125815								SCREW	2	A
	AN525-10-20								WASHER	2	A
	AN960-10								NUT	2	A
	AN365-1032								NUT	1	A
-63	2126503								MOUNTING	1	A
-64	SK470-1								CLAMP, Cowling flap operating mechanism bushing	2	A
-65	1122885								NUT	4	A
-66	AN365-1032								WASHER	4	A
-67	AN960-10L										
		A	USAF						41-39100 thru 41-39599		
									43-22252 thru 43-22751		
									44-34098 thru 44-34762		
									44-35198 thru 44-35996		

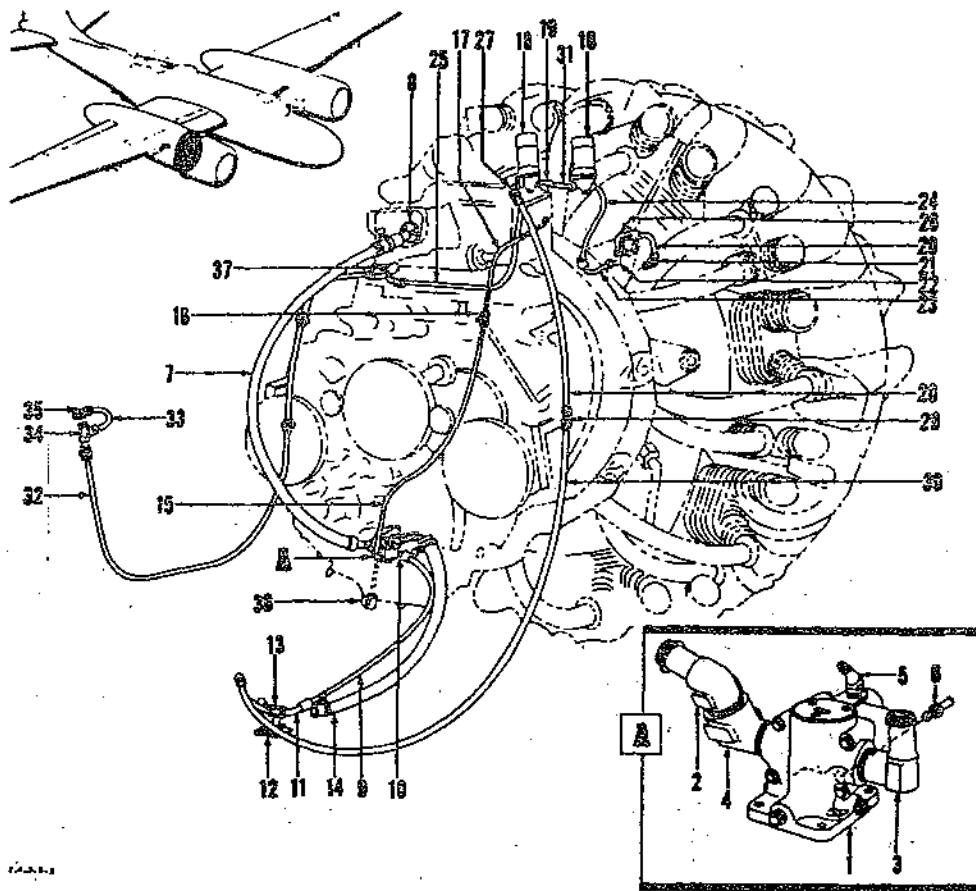


Figure 156. Power Plant Fuel System Installation

FIGURE & INDEX NO.	PART NO.	DESCRIPTION	UNITS PER ASSY							USABLE ON CODE	
			1	2	3	4	5	6	7		
156-	5153342	FUEL SYSTEM INSTL, Power plant (see figure 148)								Ref	A, B
-1	9159	PUMP, Fuel type G10 (CH) (GFP)								1	A, B
-2	AN844-17D	ELBOW.								1	A, B
-3	AN842-17D	ELBOW.								1	A, B
-4	AN915-8D	ELBOW.								1	A, B
	62C31294	BUSHING								2	A, B
-5	148779-844-4-55	FITTING, Pressure restriction 1/8-in. pipe thread. . . .								1	A, B
-6	AN840-4	ADAPTER.								1	A, B
-7	4127510-4	LINE, Main feed								1	A, B
	9550-16-0332									2	A, B
-8	2062678-4G	CONNECTION ASSY, Fuel line								1	A, B
-9	5128410-2	LINE, Drain								1	A, B
-10	AN844-4D	ELBOW.								AR	A, B
-11	AN842-4D	ELBOW.								AR	A, B
-12	1203710	FITTING, Standard pump drain								1	A, B
	1203723	GASKET								1	A, B
	AN911-1D	NIPPLE								1	A, B
-13	AN917-1D	TEE.								1	A, B
-14	4127510-2	LINE, Main feed.								1	A, B
-15	5128410-4	LINE ASSY, Syphon rent.								1	A, B
-16	AN825-4D	TEE.								1	A, B
	AN910-1D	COUPLING								1	A, B
-17	5128410-6	LINE ASSY, Syphon rent.								1	A, B
-18	37D6210	VALVE ASSY, Solenoid								2	A, B

Section II
Group Assembly Parts List

T.O. 1B-26B-4

FIGURE & INDEX NO.	PART NO.	1	2	3	4	5	6	7	DESCRIPTION	UNITS PER ASSY	USABLE ON CODE
156-19	AN825-4								TEE	1	A,B
	AN816-4								NIPPLE	1	A,B
-20	5128410-16								LINE ASSY, Engine priming	2	A,B
-21	AN822-4D								ELBOW	2	A,B
-22	AN833-4D								ELBOW	1	A,B
-23	No Number								HOSE 1/4-in. ID (make from hose Spec MIL-H-6000 length as required)	1	A,B
	AN737RM22								CLAMP	2	A,B
-24	AN864-4								HOSE ASSY, Low pressure	4	A,B
-25	No Number								HOSE, 1/4-in. ID (make from hose Spec MIL-H-6000 length as required)	1	A,B
	AN737RM22								CLAMP	2	A,B
-26	5128410-138								LINE ASSY	1	A,B
-27	AN822-4								ELBOW	3	A,B
-28	5128410-70								LINE ASSY, Oil dilution	1	A,B
-29	AN815-4								UNION	1	A,B
-30	5128410-72								LINE ASSY, Oil dilution	1	A,B
-31	AN884-4								HOSE ASSY, Low pressure	1	A,B
-32	No Number								HOSE, 1/4-in. ID (make from hose Spec MIL-H-6000 length as required)	1	A,B
	AN737RM22								CLAMP	2	A,B
	AN816-4D								NIPPLE	1	A,B
-33	5128410-228								LINE ASSY, Pressure	1	B
-34	AN826-4D								TEE	1	B
	AN929-4								CAP	1	B
-35	AN832-4D								UNION	AR	A,B
	AN924-4D								NUT	AR	A,B
-36	AN917-3D								TEE	1	A,B
	AN911-3								NIPPLE	1	A,B
-37	37A3528								FITTING, Oil dilution system twin restricted tube	1	A,B
									A USAF 41-3910D thru 47-39599 43-22252 thru 43-22751		
									B USAF 44-34098 thru 44-34762 44-35198 thru 44-35996		

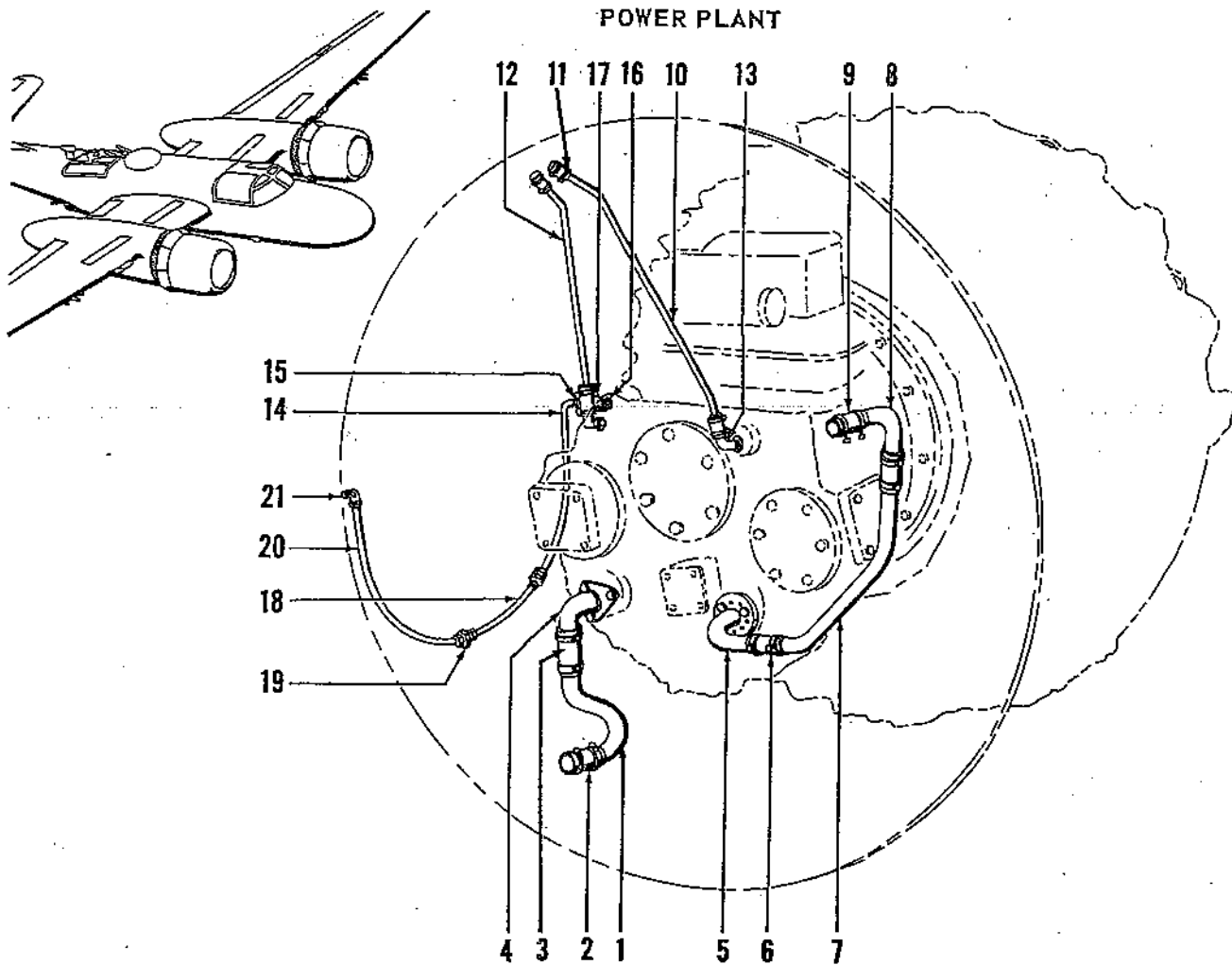


Figure 157. Power Plant Oil System Installation

3.4.2-1-72

FIGURE & INDEX NO.	PART NO.	DESCRIPTION	UNITS PER ASSY	USABLE ON CODE
157-	5122344	OIL SYSTEM INST II, Power plant (see figure 148)	Ref	
-1	4123508	LINE, Oil suction	1	
-2	AN878-32-22	HOSE	1	
	AN748-82	CLAMP	2	
-3	AN878-32-28	HOSE	1	
	AN748-82	CLAMP	2	
-4	2123201	ELBOW ASSY, Engine oil	1	
-5	2195060	FITTING ASSY, Engine oil outlet	1	
-6	AN878-24-8	HOSE	1	
	AN748-66	CLAMP	2	
-7	5129988-80	LINE, Oil system	1	
-8	5129988-78	LINE, Oil system	1	
-9	AN878-24-20	HOSE	2	
	AN748-66	CLAMP	4	
-10	5129988-16	LINE, Vent RH	1	
-11	AN878-8-15	HOSE	4	
	AN748-30	CLAMP	8	
-12	5129988-18	LINE, Vent LH	1	
-13	AN842-8	ELBOW, Pipe thread hose 90°	2	
	895-8S	FITTING (USAF Standard)	2	
-14	5129988-98	LINE ASSY, Oil pressure	1	
-15	AN878-4-16	HOSE	1	
	A3122-10-59	CLAMP (TIN)	2	
-16	AN912-1	BUSHING	1	
-17	148779-840-4-60	FITTING, Pressure restriction 1/8-in. pipe thread	1	
-18	No Number	HOSE, 1/4 ID; by 18 in. long (Make from Spec MIL-H-6000)	1	
-19	AN832-4D	UNION	1	
	AN924-4D	NUT	1	
-20	5129988-96	LINE ASSY, Oil pressure	1	
-21	AN822-4D	ELBOW	1	

POWER PLANT

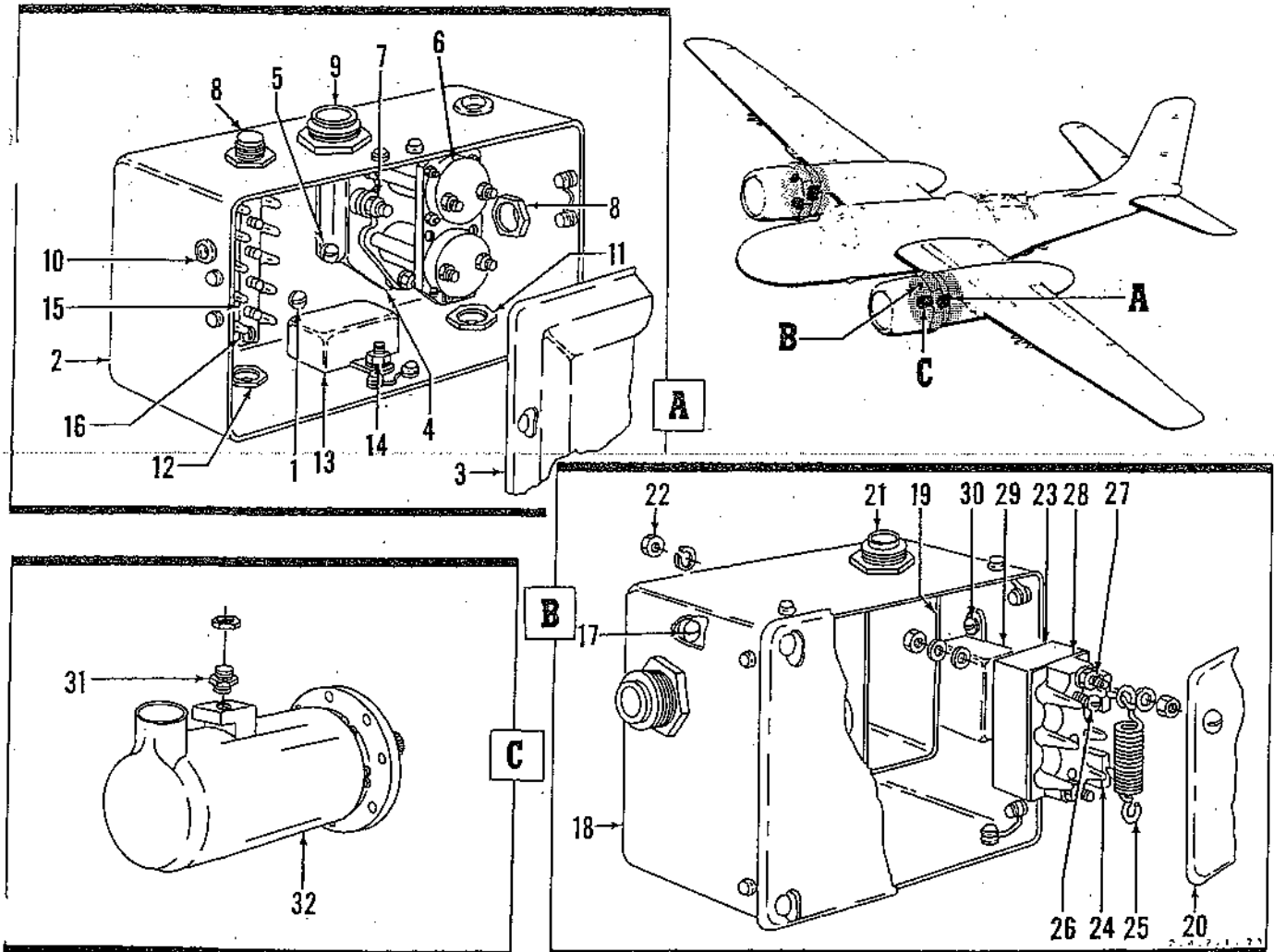


Figure 158. Power Plant Electrical Installation

Section II

T.O. 1B-26B-4

Group Assembly Parts List

FIGURE & INDEX NO.	PART NO.	1 2 3 4 5 6 7	DESCRIPTION	UNITS PER ASSY	USABLE ON CODE
158-	5153345		ELECTRICAL INSTL, Power plant (see figure 148)	Ref	A
	5209305		ELECTRICAL INSTL, Power plant (see figure 148)	Ref	B
	5193199		JUNCTION BOX INSTL, Power plant	1	A,B
	5193196		JUNCTION BOX ASSY, Power plant	1	A
	5209304		JUNCTION BOX ASSY, Power plant	1	B
			(ATTACHING PARTS)		
-1	AN520-10-10		SCREW	4	A,B
	AN960-10		WASHER	4	A,B

-2	5209304-2		BOX ASSY (Make from 5096973-400S)	1	B
	5193196-2		BOX ASSY (Make from 5096973-400S)	1	A
-3	5096973-10		COVER ASSY	1	A,B
-4	2279266		BRACKET	1	B
			(ATTACHING PARTS)		
-5	AN520-10-5		SCREW	4	B
	AN960-10		WASHER	4	B

-6	4129572		RELAY	1	A,B
			(ATTACHING PARTS)		
-7	AN3-7A		BOLT	4	A
	1029421-10-14		SCREW	4	B
	AN960-10L		WASHER	4	B
	AN365-1032		NUT	4	B

-8	AN3064-6		BOX CONNECTOR	2	A,B
	AN3066-6		NUT	2	A,B
-9	AN3064-16		BOX CONNECTOR	1	A,B
	AN3066-16		NUT	1	A,B
-10	AN931-6-10		GROMMET	1	B
	AN931-4-7		GROMMET	1	A
-11	AN3064-8		BOX CONNECTOR	1	A,B
	AN3066-8		NUT	1	A,B
-12	AN3064-4		BOX CONNECTOR	1	A,B
	AN3066-4		NUT	1	A,B
-13	CA275X		CAPACITOR, (MAL)	1	A,B
			(ATTACHING PARTS)		
-14	AN515-8-10		SCREW	2	A,B
	AN960-8		WASHER	2	A,B
	AN365-832		NUT	2	A,B

-15	NAS191-8		TERMINAL STRIP (Formerly 2062648-8A)	2	B
	NAS191-7		TERMINAL STRIP (Formerly 2062648-7A)	2	A
			(ATTACHING PARTS)		
-16	AN515-4-8		SCREW	4	A,B
	AN960-4		WASHER	4	A,B
	NAS21-1-191		TAB (Formerly 1152348-2)	4	A,B
	AN340-4		NUT	4	A,B

	5202425		INDUCTION AND NOISE FILTER INSTL	1	C
	3276337		INDUCTION AND NOISE FILTER INSTL	1	D
	2207217		BOX ASSY, Ignition noise filter	1	E
	4207666		BOX ASSY, Ignition noise filter	1	F
	4276336		BOX ASSY, Induction vibrator and noise filter	1	D
			(ATTACHING PARTS)		
-17	AN520-10-12		SCREW	3	A,B
	AN960D10		WASHER	3	A,B
	AN365-1032		NUT	3	A,B

-18	4276336-2		BOX ASSY	1	D
-19	2207217-2		BOX ASSY (Make from 4109388-124N)	1	E
	4207666-2		BOX ASSY (Make from 4109388-124N)	1	F
-20	1139993		COVER ASSY	1	E,F
	4276336-4		COVER ASSY	1	D
-21	AN3064-4		BOX CONNECTOR	1	D-F
	AN3066-4		NUT	1	D-F
	2207219		FILTER ASSY, Ignition noise	1	E
			(ATTACHING PARTS)		
-22	AN340-6		NUT	2	E
	AN935-6		WASHER	2	E

-23	2207216		BLOCK, Ignition noise filter assy	1	E
-24	5R5T5		CAPACITOR, Mica 0.0005 mfd 1000 NDC test (CLD)	2	E
-25	2207219-2		COIL	1	E
-26	AN515-6-14		SCREW	2	E
	AN960-6		WASHER	2	E
	AN960B6		WASHER	2	E
	AN360-6		NUT	2	E
-27	1093736-1		SCREW	4	E
	AN960B6		WASHER	4	E
	AN360-6		NUT	4	E
-28	2062612-2		TERMINAL STRIP	1	E
-29	JX55B		FILTER, Radio noise (SPRG) (interchangeable with SPRG JX55C)	1	D-F
			(ATTACHING PARTS)		
-30	AN515-6-7		SCREW	2	F
	AN960D8L		WASHER	2	F
	AN960-6L		WASHER	2	D
	AN365-832		NUT	2	F

FIGURE & INDEX NO.	PART NO.	DESCRIPTION							UNITS PER ASSY	USABLE ON CODE
		1	2	3	4	5	6	7		
158-	AN365-632					NUT			2	D
-31	AN3058-10					COUPLING			1	D
-32	AN3066-10					NUT			1	D
						GENERATOR, Engine driven type P1 (formerly AN3047-1) (GFP)			1	A-F
		A USAF 41-39100 thru 41-39599				D USAF 44-34473 thru 44-34762				
		43-22252 thru 43-22751				E USAF 41-39141 thru 41-39249				
		44-35198 thru 44-35655				43-22252 thru 43-22751				
		B USAF 44-34098 thru 44-35655				44-35198 thru 44-36797				
		44-35656 thru 44-36797				F USAF 41-39250 thru 41-39249				
		C USAF 41-39100 thru 41-39599				44-34098 thru 44-34472				
		44-34098 thru 44-34472				43-22252 thru 43-22751				
		43-22252 thru 43-22751				44-35198 thru 44-36797				

POWER PLANT

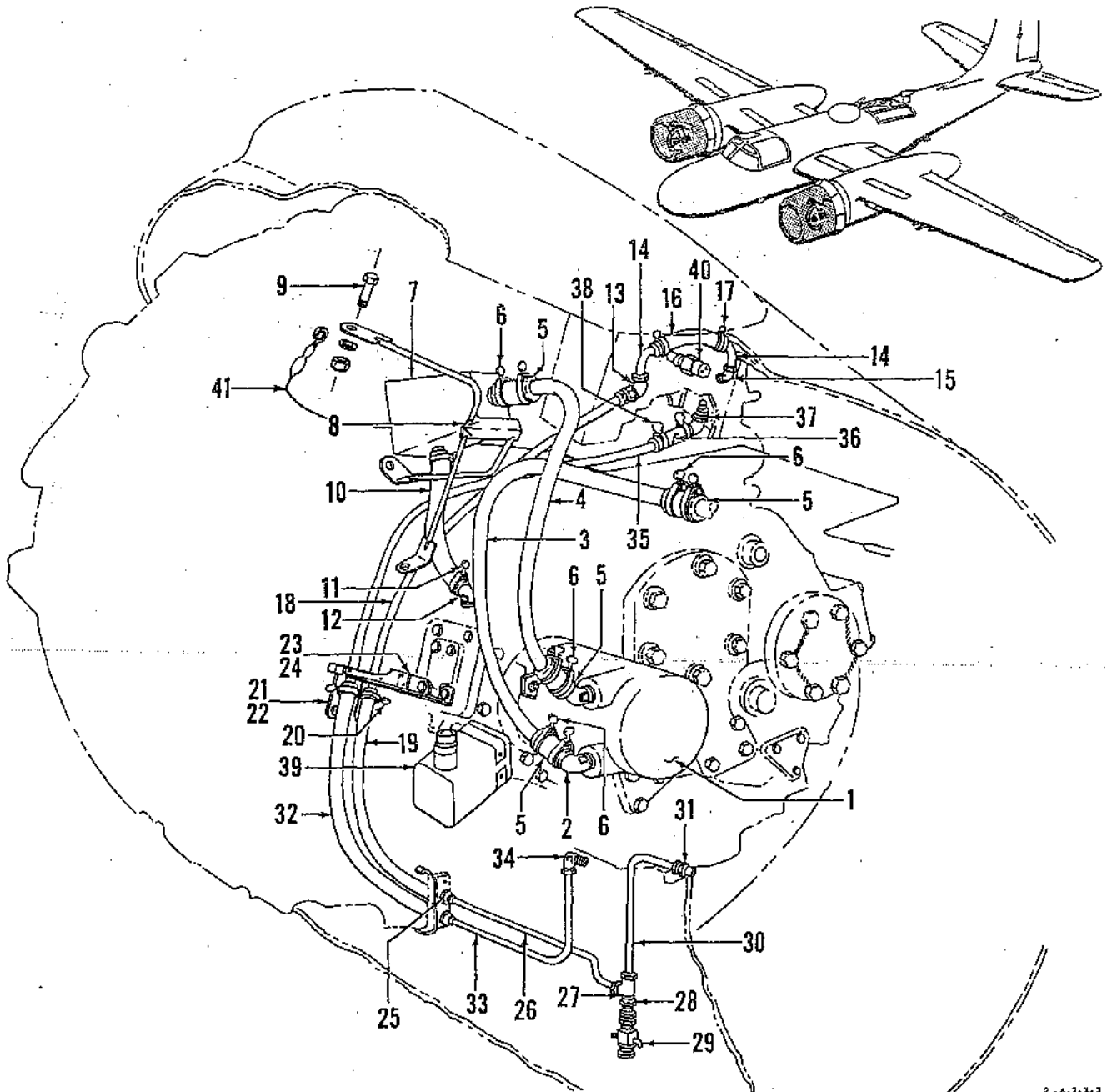


Figure 159. Power Plant Instrument Installation

2-4-2-2-2

Section II
Group Assembly Parts List

T.O. 1B-26B-4

FIGURE & INDEX NO.	PART NO.	DESCRIPTION							UNITS PER ASSY	USABLE ON CODE
		1	2	3	4	5	6	7		
159-		INSTRUMENT INSTL, Power plant (see figure 148)							Ref	A,B
-1	5153349	PUMP (GFP)							1	A,B
	AN6112-1	GASKET (GRP)							1	A,B
	AN4044	ELBOW							2	A,B
-2	AN844-16	LINE ASSY, Firewall to vacuum pump							1	A,B
-3	4193504-2	LINE ASSY, Vacuum pump to oil separator							1	A,B
-4	4193504-14	HOSE (1/4-in. ID make from hose Spec MIL-H-5593)							4	A,B
-5	No Number	CLAMP (TIN)							8	A,B
-6	A3122-22-59	SEPARATOR, Oil (PE) (GFP)							1	A,B
-7	218Y	SUPPORT INSTL, Power plant oil separator							1	A,B
	5195444	SUPPORT ASSY, Power plant oil separator							1	A,B
-8	5194611	(ATTACHING PARTS)								
-9	AN4-6A	BOLT							2	A,B
	AN960-416	WASHER							4	A,B
	AN365-428	NUT							2	A,B
	AN913-1	PLUG							1	A,B
-10	No Number	HOSE (1/4-in. ID make from hose Spec MIL-H-5593)							2	A,B
-11	A3122-22-59	CLAMP (TIN)							2	A,B
-12	AN844-8	ELBOW							1	A,B
-13	AN833-4D	ELBOW							1	A,B
	AN924-4D	NUT							1	A,B
	AN960-716	WASHER							2	A,B
-14	4193504-12	LINE ASSY, Manifold pressure forward							2	A,B
-15	AN823-4	ELBOW							1	A,B
-16	No Number	HOSE (1/4-in. ID make from hose Spec MIL-H-5593)							1	A,B
-17	A3122-10-59	CLAMP (TIN)							2	A,B
-18	4193504-506	LINE ASSY, Manifold pressure aft							1	A,B
-19	No Number	HOSE ASSY, Manifold pressure (1/4-in. ID make from hose Spec MIL-H-5593)							1	A,B
-20	AN737RM22	CLAMP (formerly AN748-22)							2	A,B
-21	2277497-506	SUPPORT							2	A,B
		(ATTACHING PARTS)								
-22	AN520-10-8	SCREW							2	A,B
	AN365-1032	NUT							2	A,B
-23	2202376	BRACKET							1	A,B
		(ATTACHING PARTS)								
-24	AN3-14A	BOLT							2	A,B
	AN960-10L	WASHER							2	A,B
	AN365-1032	NUT							2	A,B
-25	AN807-4D	ADAPTER							2	A,B
-26	4193504-508	LINE ASSY, Manifold pressure							1	A,B
-27	AN826-4D	TEE							1	A,B
-28	AN910-1D	COUPLING							1	A,B
-29	770-A1	COCK (KOE)							1	C
	1700B-1	VALVE (KOE)							1	D
-30	4193504-18	LINE ASSY, Manifold pressure							1	A,B
-31	AN816-4D	NIPPLE							1	A,B
-32	No Number	HOSE ASSY, Manifold pressure flexible (1/4-in. ID make from hose Spec MIL-H-5593)							1	A,B
-33	4193504-502	LINE ASSY, Fuel pressure gage vent							1	A,B
-34	AN822-4D	ELBOW							1	A,B
-35	4193504-504	LINE ASSY, Fuel pressure gage vent							1	A,B
-36	No Number	HOSE (1/4-in. ID make from hose Spec MIL-H-5593)							1	A,B
-37	AN846-4D	ELBOW							1	A,B
-38	A3122-10-59	CLAMP (TIN)							2	A,B
-39	AN5547-2	GENERATOR (GFP)							1	A,B
-40	AN5525-2	BULE (GFP)							1	A
	AN5525-1	BULE (GFP)							1	B
-41	L367-8	LEAD ASSY, Engine thermocouple (LEN)							1	
		A USAF 41-3910D thru 41-39349 C USAF 41-39100 thru 41-39424								
		43-22252 thru 43-22399 43-22252 thru 43-22453								
		43-22467 thru 43-22493 43-22467 thru 43-22565								
		B USAF 41-39359 thru 41-39599 D USAF 41-39425 thru 41-39599								
		43-2240D thru 43-22466 43-22454 thru 43-22466								
		43-22494 thru 43-22751 43-22566 thru 43-22751								
		44-34098 thru 44-34762 44-34098 thru 44-34762								
		44-35198 thru 44-35996 44-35198 thru 44-35996								

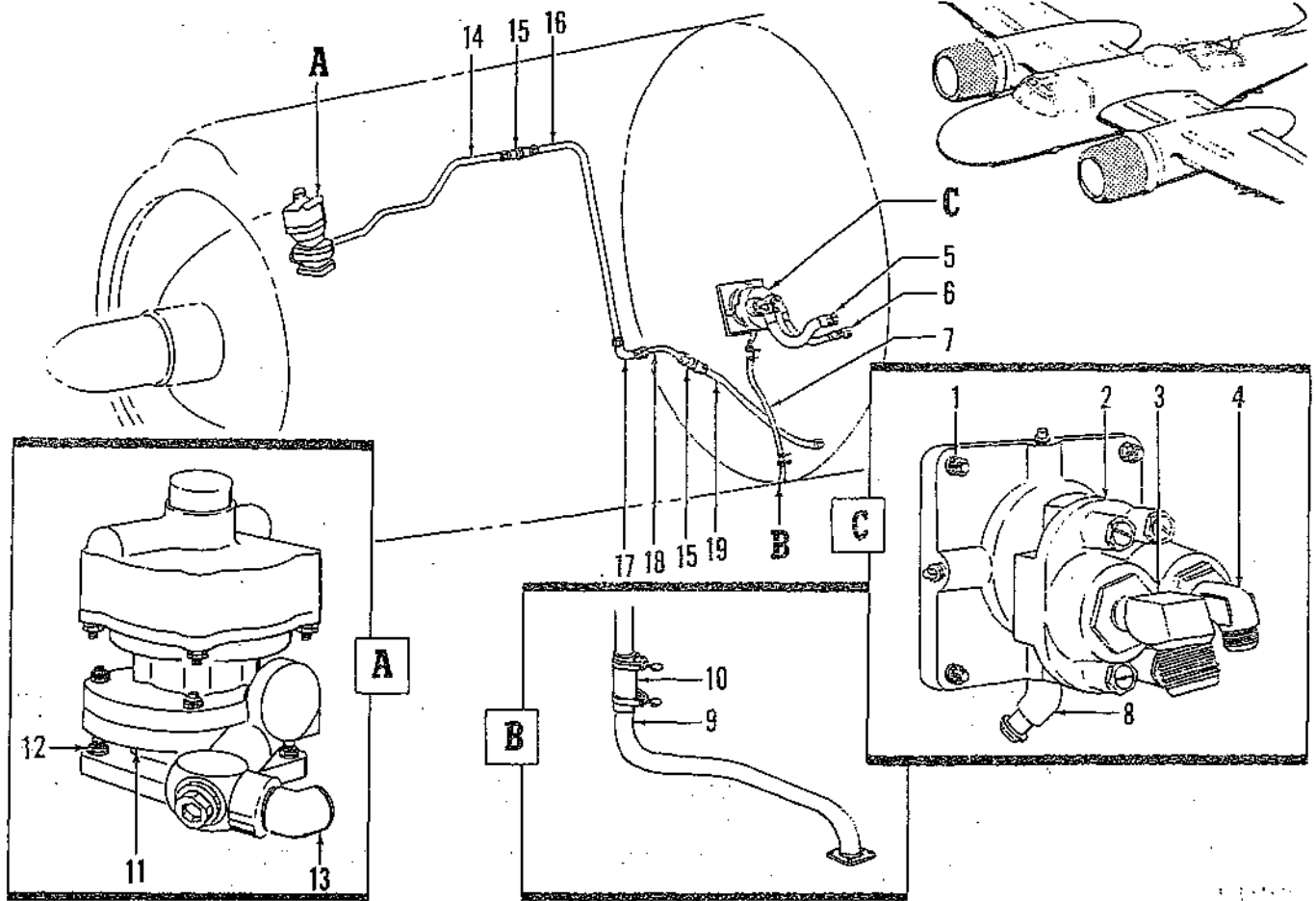


Figure 160. Power Plant and Propeller Hydraulic and Hydromatic Installation

FIGURE & INDEX NO.	PART NO.	DESCRIPTION							UNITS PER ASSY	USABLE ON CODE
		1	2	3	4	5	6	7		
160		HYDRAULIC AND HYDROMATIC INSTL, Power plant and propeller								
	5122350	POWER-PLANT HYDRAULIC INSTL (see figure 148)							Ref	
	2126579	PUMP ASSY, Complete engine driven hydraulic (ATTACHING PARTS)							1	
-1	AN310-5	NUT							4	
	AN960-516	WASHER							4	
-2	4123697	PUMP ASSY, Engine driven hydraulic (tested PE 349 P) (see T.O. 91H-2-30-1)							1	
-3	2126774	ELBOW, Special 1 in. tube by 1/2-in. male thread							1	
-4	AN822-8	ELBOW							1	
	AN912-4	BUSHING							1	
-5	390-16D-15 1-2	HOSE ASSY, Hydraulic pump to firewall (AQ)							1	
-6	MS28741-8D-0160	HOSE ASSY, Detachable swivel end hydraulic							1	
-7	420419S-2	LINE ASSY, Hydraulic pump elbow to drain elbow							1	
-8	AN844-4D	ELBOW							1	
-9	2204412	FLANGE ASSY, Engine driven pump drain line							1	
-10	AN878-4-14	HOSE							2	
	A3122-10-59	CLAMP (TIN)							4	
	5153353	PROPELLER SYSTEM INSTL, Power plant (see figure 148)							Ref	
-11	4G8G49M	GOVERNOR, Propeller feathering (HS) (GFP) (Interchangeable with 4G8-P49M, 4G8-G67M, and 4G8-P67M) (ATTACHING PARTS)							1	A, B
-12	46A1135-524	NUT (formerly AN365-324)							4	
	AN960-516	WASHER							4	
-13	AN823-10	ELBOW							1	
-14	5129988-24	LINE ASSY, Hydromatic system							1	C
	5129988-116	LINE ASSY, Hydromatic system							1	D
-15	AN815-10	UNION							2	A, B

Section II
Group Assembly Parts List

T.O. 1B-26B-4

FIGURE & INDEX NO.	PART NO.								DESCRIPTION	UNITS PER ASSY	USABLE ON CODE	
		1	2	3	4	5	6	7				
160-16	5129988-22								LINE ASSY	Hydraulic system high pressure union to union	1	
-17	AN833-10								ELBOW		1	
-18	5129988-26								LINE ASSY	Hydraulic system high pressure fire seal to union	1	
-19	AN863-10-30								HOSE ASSY		1	
									A	USAF 41-39100 thru 41-39509 44-34098 thru 44-34197		
									B	USAF 41-39102 thru 41-39149		
									C	USAF 41-39100 thru 41-39182		
									D	USAF 41-39183 thru 41-39599 44-34098 thru 44-34197		

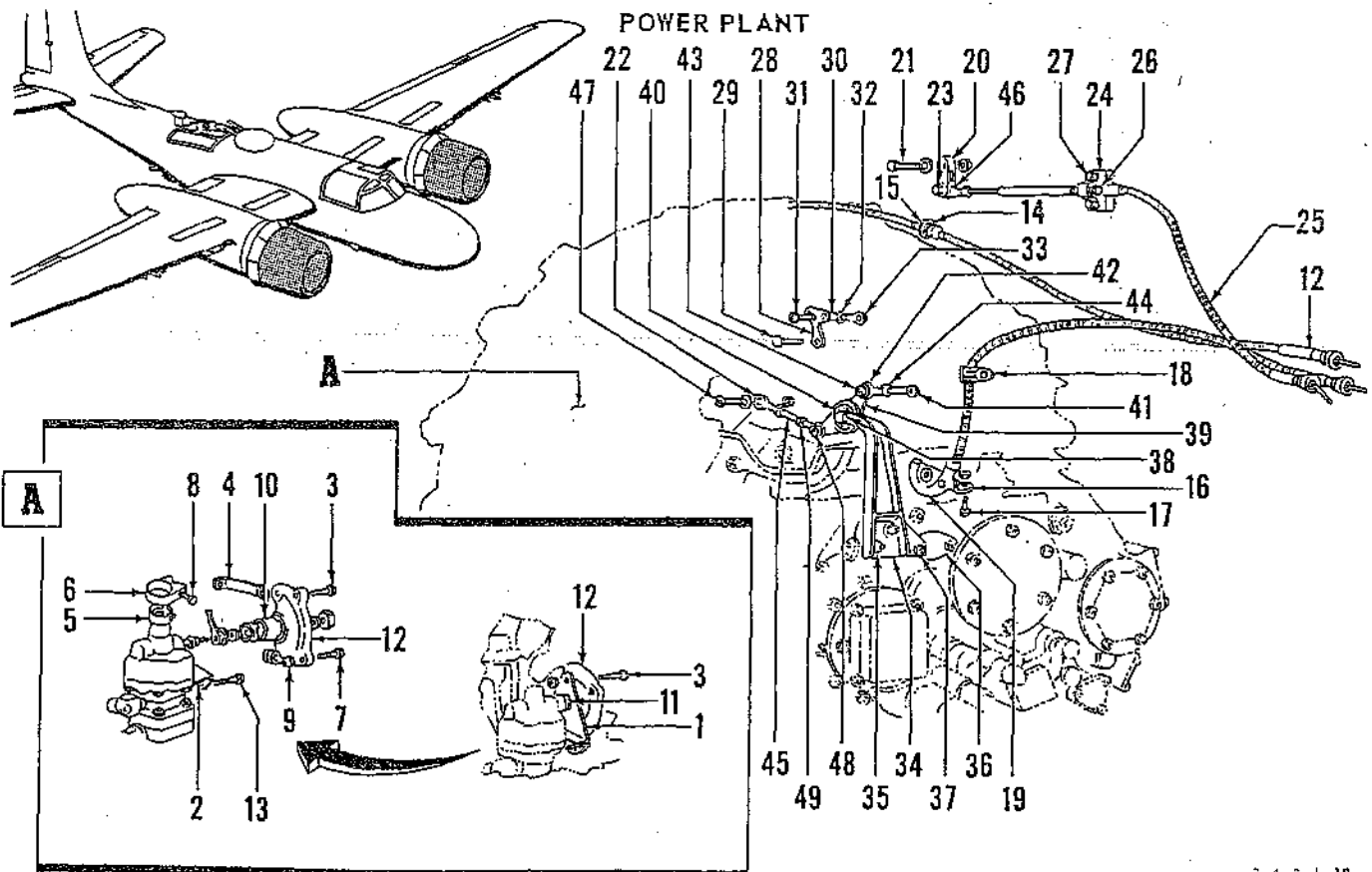


Figure 161. Power Plant Section Engine and Propeller Nonram Control Installation

FIGURE & INDEX NO.	PART NO.	1 2 3 4 5 6 7	DESCRIPTION	UNITS PER ASSY	USABLE ON CODE
151-	5202476		CONTROL INSTL, Power plant section engine and propeller nonram (see figure 148)	Ref	A,B
-1	2205585		SUPPORT ASSY, Propeller pitch control arm	1	A
-2	2153849		SUPPORT ASSY, Propeller governor control unit lower (ATTACHING PARTS)	1	B
-3	AN3-11A AN365-1032		BOLT NUT	AR AR	A,B A,B
-4	1154342		SUPPORT, Propeller governor control unit upper	1	B
-5	1194990		SHIM, Propeller governor control support clamp	1	B
-6	5256A18		CLAMP (BAV)	1	B
-7	AN3-11A		BOLT	1	B
-8	AN3-16A		BOLT	1	B
-9	AN365-1032		NUT	2	B
-10	A11-4-10017		BUSHING ASSY, Self-aligning (SA)	1	B
-11	2205582		BUSHING ASSY, Propeller pitch control line extension	1	A
-12	B1128-2RL		CONTROL ASSY, Propeller governor (SA) (ATTACHING PARTS)	1	A,B
-13	AN3-10		BOLT	3	A,B
-14	AN960-1416		WASHER	1	A,B
-15	AN316-14R		NUT	1	A,B
-16	2153850		SUPPORT, Supercharger control unit (ATTACHING PARTS)	1	A,B
-17	AN3-3A AN365-1032		BOLT NUT	2 2	A,B A,B
-18	1127703		BRACKET, Supercharger flexible control	1	A,B
-19	B1130-2RL		CONTROL ASSY, Engine section supercharger (SA)	1	A,B
-20	2203136		ARM, Carburetor hot air door actuating (ATTACHING PARTS)	1	A,B
-21	AN3-11A AN960-416L AN365-1032		BOLT WASHER NUT	1 1 1	A,B A,B A,B
-22	REB3N		END, Rod (FAF) (ATTACHING PARTS)	1	A,B
-23	AN3-7 AN960-10L AN365-1032		BOLT WASHER NUT	1 1 1	A,B A,B A,B
-24	1203130		BRACKET, Carburetor hot air door flexible control	1	A,B
-25	B1129-2RL-D		CONTROL ASSY, Carburetor hot air door (SA) (ATTACHING PARTS)	1	A,B
-26	AN3-7A AN960-10L AN365-1032		BOLT WASHER NUT	2 2 2	A,B A,B A,B
-27	AN4-14A AN960-416L AN365-428		BOLT WASHER NUT	2 2 2	A,B A,B A,B
-28	2153852		ADAPTER, Mixture control arm (ATTACHING PARTS)	1	A,B
-29	AN3-6A AN365-1032		BOLT NUT	1 1	A,B A,B
-30	33A6241		END ASSY, Ball bearing rod (ATTACHING PARTS)	1	A,B
-31	AN23-13 AN320-3		BOLT NUT	1 1	A,B A,B
-32	AN316-4R		NUT	1	A,B
-33	5001-1		DISCONNECT, Engine control quick (formerly 1152316-2)	1	A,B
-34	4205461		SUPPORT, Throttle control idler (ATTACHING PARTS)	1	A,B
-35	AN364-624		NUT	2	A,B
-36	1205835		PAD, Throttle control idler (ATTACHING PARTS)	1	A,B
-37	1143193 4143192		NUT, Shoulder 1/4-in. 28 thread BELLCRANK ASSY, Throttle control operating idler (ATTACHING PARTS)	2 1	A,B A,B
-38	AN4-13A AN365-428		BOLT NUT	1 1	A,B A,B
-39	4143192-4		ARM	1	A,B
-40	BC4W10		BEARING, Bellcrank (FAF)	1	A,B
-41	5001-1		DISCONNECT, Engine control quick (formerly 1152316-2)	1	A,B
-42	33A6241		END ASSY, Ball bearing rod (ATTACHING PARTS)	1	A,B
-43	AN23-13 1035349 AN960-10L AN320-3		BOLT WASHER, Control rod end WASHER NUT	1 1 2 1	A,B A,B A,B A,B

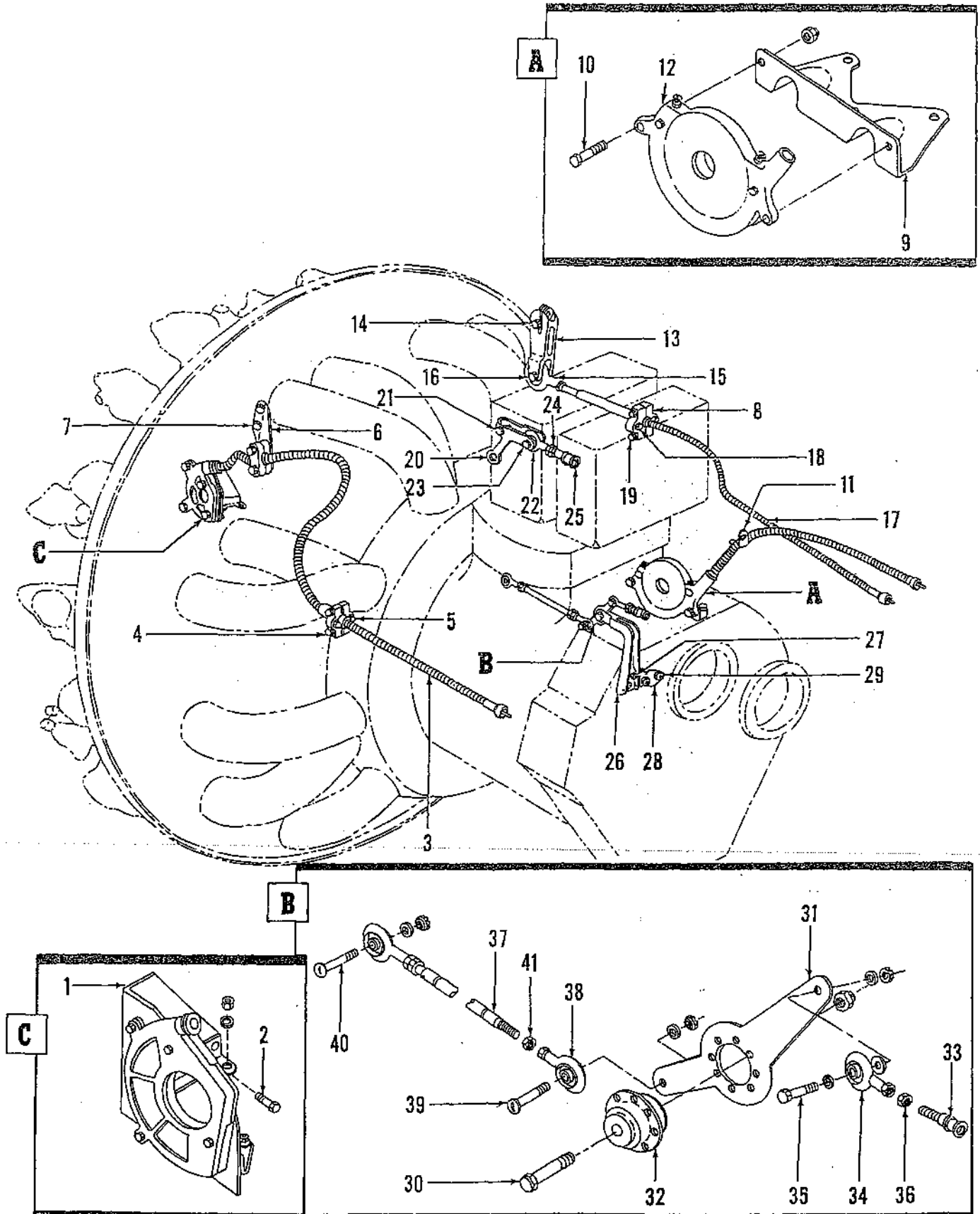


Figure 162. Power Plant Section Engine and Propeller Controls Installation

Group Assembly Parts List

FIGURE & INDEX NO.	PART NO.	1	2	3	4	5	6	7	DESCRIPTION	UNITS PER ASSY	USABLE ON CODE
162-	5208399	CONTROLS INSTL, Power plant section engine and propeller							Ref	A	
		(see figure 14B)									
-1	4205161	BRACKET ASSY, Propeller governor control							1	A	
		(ATTACHING PARTS)									
-2	AN3-10A	BOLT							3	A	
	AN960-10L	WASHER							3	A	
	AN365-1032	NUT							3	A	

-3	D11-6-10012	CONTROL ASSY, Propeller governor (SA)							1	A	
		(ATTACHING PARTS)									
-4	AN3-7A	BOLT							2	A	
	AN960-10L	WASHER							2	A	
	AN365-1032	NUT							2	A	
-5	AN4-14A	BOLT							2	A	
	AN960-416L	WASHER							2	A	
	AN365-428	NUT							2	A	

-6	2205171	BRACKET, Propeller pitch control forward							1	A	
		(ATTACHING PARTS)									
-7	AN4-14A	BOLT							2	A	
	AN960-416L	WASHER							2	A	
	AN365-428	NUT							2	A	

-8	1203130	BRACKET, Carburetor hot air door flexible and propeller							1	A	
		governor control									
-9	2153850	SUPPORT, Supercharger control unit							1	A	
		(ATTACHING PARTS)									
-10	AN3-3A	BOLT							2	A	
	AN365-1032	NUT							2	A	

-11	1127703	BRACKET, Supercharger flexible control							1	A	
-12	B1130-2RL	CONTROL ASSY, Engine section supercharger (SA)							1	A	
-13	2203136	ARM, Carburetor hot air door actuating							1	A	
		(ATTACHING PARTS)									
-14	AN3-11	BOLT							1	A	
	AN960-10L	WASHER							1	A	
	AN310-3	NUT							1	A	

-15	REB3N	END, Rod (FAF)							1	A	
		(ATTACHING PARTS)									
-16	AN3-7	BOLT							1	A	
	AN960-10L	WASHER							2	A	
	AN365-1032	NUT							1	A	

-17	B1129-2RL-D	CONTROL ASSY, Carburetor hot air door							1	A	
		(ATTACHING PARTS)									
-18	AN4-14A	BOLT							2	A	
	AN960-416L	WASHER							2	A	
	AN365-428	NUT							2	A	
-19	AN3-7A	BOLT							2	A	
	AN960-10L	WASHER							2	A	
	AN365-1032	NUT							2	A	

-20	2153852	ADAPTER, Mixture control arm							1	A	
		(ATTACHING PARTS)									
-21	AN3-6A	BOLT							1	A	
	AN365-1032	NUT							1	A	

-22	33A6241	END ASSY, Ball bearing rod							1	A	
		(ATTACHING PARTS)									
-23	AN23-13	BOLT							1	A	
	AN320-3	NUT							1	A	

-24	AN316-4R	NUT							1	A	
-25	5001-1	DISCONNECT, Engine control quick (formerly 1152316-2)							1	A	
-26	4205461	SUPPORT, Throttle control idler							1	A	
		(ATTACHING PARTS)									
-27	AN364-624	NUT							2	A	

-28	1205835	PAD, Throttle control idler							1	A	
		(ATTACHING PARTS)									
-29	1143193	NUT, Shoulder 1/4 in. 28 thread							2	A	

	4143192	BELLCHANK ASSY, Throttle control operating idler							1	A	
		(ATTACHING PARTS)									
-30	AN4-13A	BOLT							1	A	
	AN365-428	NUT							1	A	

-31	4143192-4	ARM							1	A	
-32	BC4W10	BEARING, Bellchank (FAF)							1	A	
-33	5001-1	DISCONNECT, Engine control quick (formerly 1152316-2)							1	A	
-34	33A6241	END ASSY, Ball bearing rod							1	A	
		(ATTACHING PARTS)									
-35	AN23-13	BOLT							1	A	
	1035349	WASHER, Control rod end							1	A	
	AN960-10L	WASHER							2	A	
	AN320-3	NUT							1	A	

FIGURE & INDEX NO.	PART NO.	1 2 3 4 5 6 7	DESCRIPTION	UNITS PER ASSY	USABLE ON CODE
162-36	AN316-4R		NUT	1	A
-37	146229-400		RQD, Engine control	1	A
-38	REB3N		END, Rod (FAF)	2	A
			(ATTACHING PARTS)		
-39	AN23-15		BOLT	1	A
	AN960-10L		WASHER	2	A
	AN320-3		NUT	1	A
-40	AN23-17		BOLT	1	A
	AN960-10L		WASHER	2	A
	AN320-3		NUT	1	A
-41	AN316-4R		NUT	2	A
		A	USAF 41-39500 thru 41-39599		
			44-34098 thru 44-34732		
			44-35400 thru 44-35995		

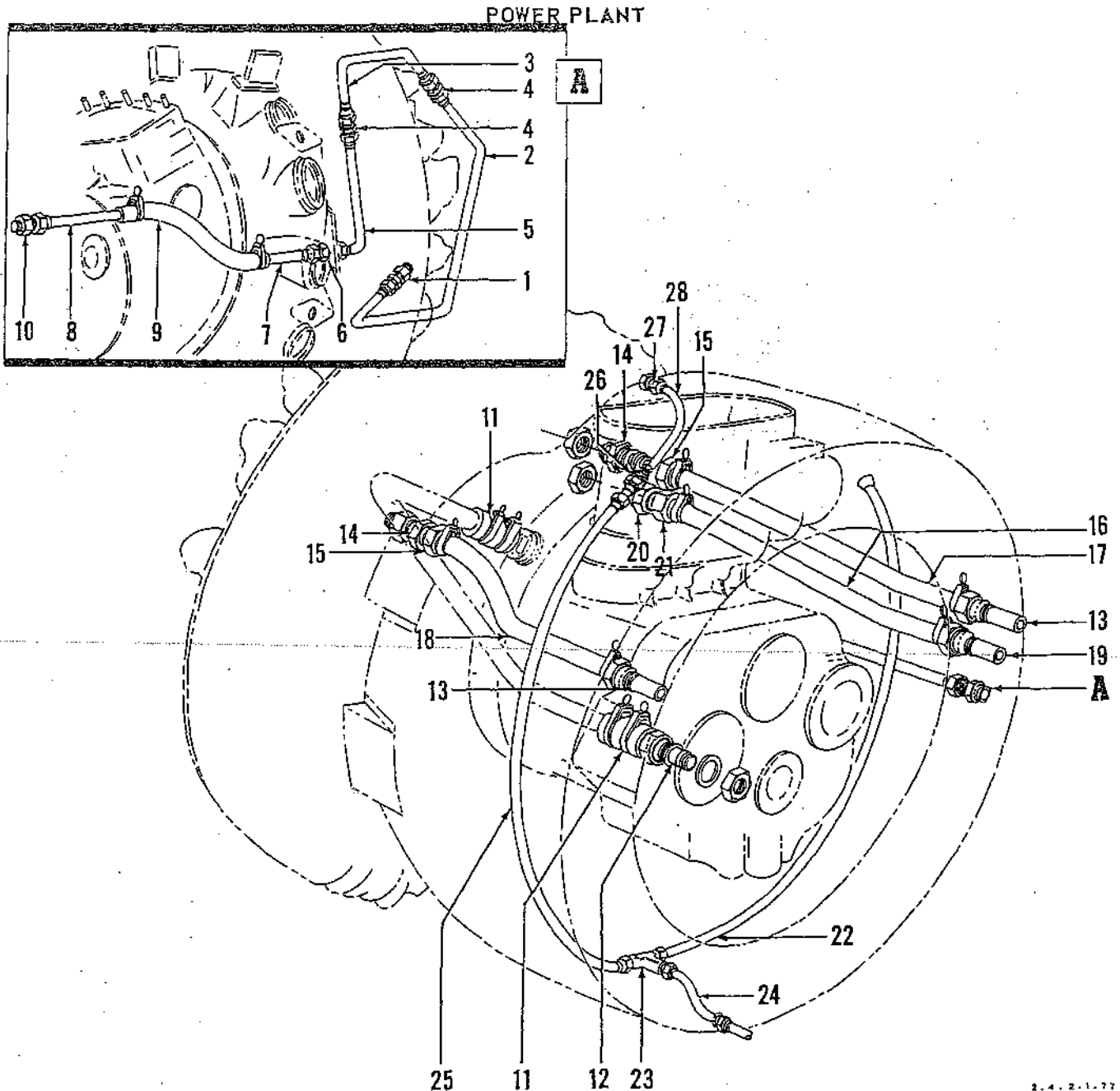


Figure 163. Heat and Vent, Ice Elimination and Fire Extinguisher Installation

Section II
Group Assembly Parts List

T.O. 1B-26B-4

FIGURE & INDEX NO.	PART NO.	1	2	3	4	5	6	7	DESCRIPTION	UNITS PER ASSY	USABLE ON CODE
163-		HEAT AND VENT, ICE ELIMINATION AND FIRE EXTINGUISHER INSTL									
	5153358	EQUIPMENT INSTL, Power plant ice elimination (see figure 148)							Ref		A,B
	5208549	EQUIPMENT INSTL, Power plant ice elimination (see figure 148)							Ref		C,D
-1	1127661	VALVE ASSY, Propeller anti-icer check (tested Parker 404-LFT-4D)							1		A-D
-2	4193483-24	LINE ASSY, Ice elimination							1		A-D
-3	4193483-4	LINE ASSY, Ice elimination							1		A-D
-4	AN815-4D	UNION							2		
-5	4193483-6	LINE ASSY, Ice elimination							1		A-D
-6	AN832-4D	UNION							1		A-D
	AN924-4D	NUT							1		
-7	4193483-14	LINE ASSY, Ice elimination							1		
-8	4193483-8	LINE ASSY, Ice elimination							1		
-9	AN880-4-48	HOSE							1		
	AN737TW24	CLAMP (formerly AN746-4)							2		
-10	AN816-4D	NIPPLE							1		
-11	AN882-16-14	HOSE							2		A-D
	AN737TW48-56	CLAMP (formerly AN746-11)							4		A-D
-12	AN849-16D	CONNECTOR							1		A-D
	AN924-16D	NUT							1		C,D
	AN960D2116	WASHER							1		C,D
	5153356	HEAT AND VENT INSTL, Power plant (see figure 148)							Ref		A
-13	1191664	FITTING, Heat and vent engine takeoff							2		A
-14	AN832-12D	UNION							1		A
	AN924-12D	NUT							1		A
-15	1205708	CONNECTOR ASSY, Heat and vent 3/4-in.							2		A
-16	2209084	HOSE							1		
	AN746-11	CLAMP							2		
-17	AN884-12-110	HOSE							1		
	AN737TW34-38	CLAMP (formerly AN746-9)							2		
-18	AN884-12-120	HOSE							1		
	AN746-9	CLAMP							2		
-19	1191690	FITTING, Heat and vent return exhaust							1		A
-20	AN832-16D	UNION							1		A
	AN924-16D	NUT							1		A
-21	1205707	CONNECTOR ASSY, Heat and vent exhaust 1 in.							1		A
	5209510	FIRE EXTINGUISHER INSTL, Power plant (see figure 148)							Ref		D
-22	4275021-502	PIPING ASSY, Segment access ring RH							1		D
-23	AN824-10D	TEE							1		D
-24	4275021-500	PIPING ASSY, Firewall to access ring tee							1		D
-25	4275021-504	PIPING ASSY, Segment access ring LH							1		D
-26	AN919-14	REDUCER							1		D
-27	AN832-5D	UNION							1		D
	AN924-5	NUT							1		D
-28	4275021-506	PIPING ASSY, Segment carburetor air duct LH							1		D
		A USAF 41-39100 thru 41-39349			C USAF 41-39500 thru 41-39599						
		43-22252 thru 43-22751			44-34098 thru 44-34332						
		B USAF 41-39350 thru 41-39499			44-35198 thru 44-35937						
					D USAF 44-34333 thru 44-34762						
					44-35938 thru 44-36797						

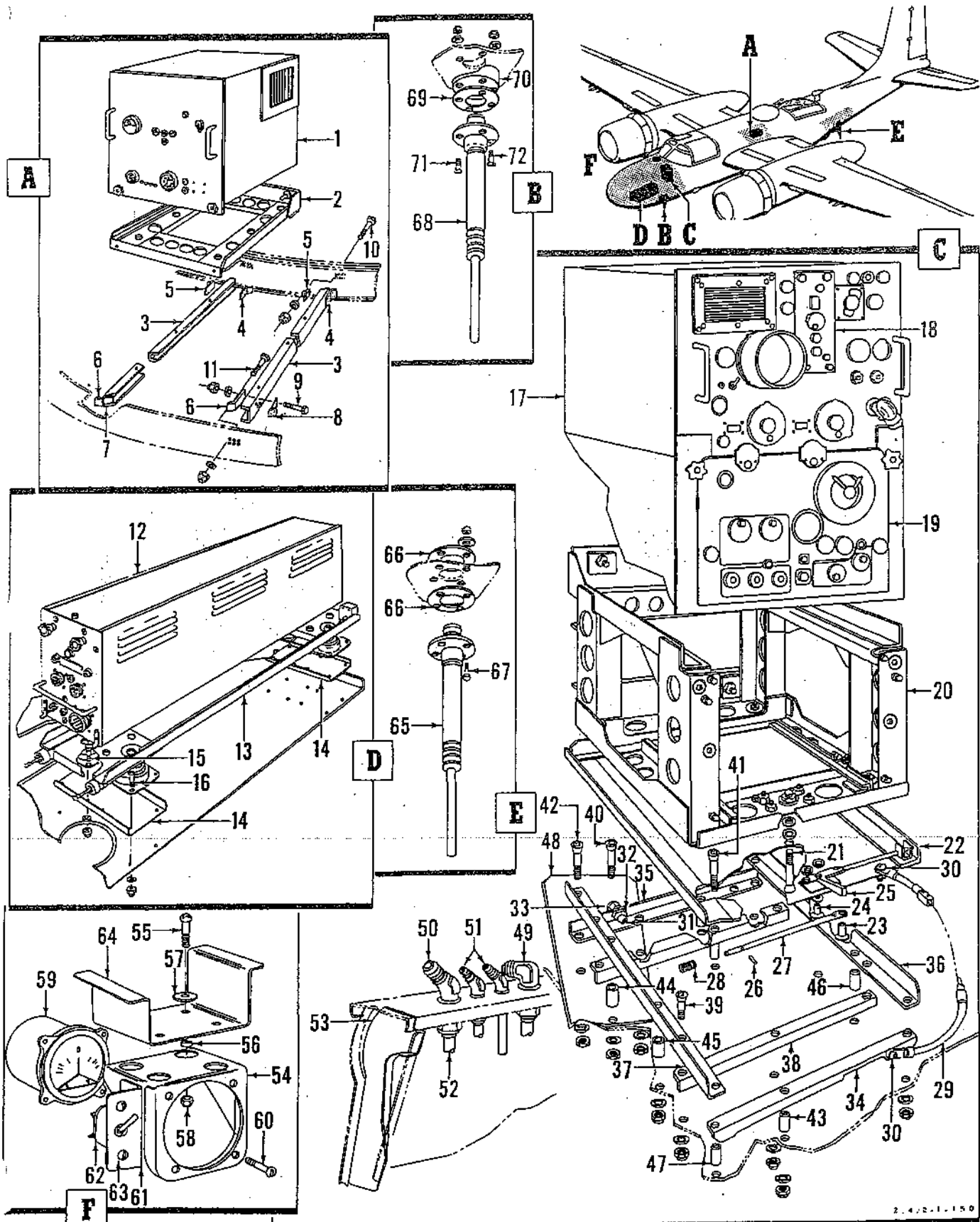


Figure 164. Radar System Installation, AN/APN-3

Section II
Group Assembly Parts List

T.O. 1B-26B-4

FIGURE & INDEX NO.	PART NO.	DESCRIPTION							UNITS PER ASSY	USABLE ON CODE
		1	2	3	4	5	6	7		
164-		RADAR SYSTEM INSTL, AN/APN-3								
	52SCJ400	TRANSMITTER INSTL, T-11/APN-3 lower turret							1	
-1	T11-APN3	TRANSMITTER, Radar JAN type T-11/APN-3 (GFP)							1	
-2	MT215-APN3	MOUNT ASSY, JAN type MT-215/APN-3 (GFP)							1	
-3	52SCB402	CHANNEL, Transmitter support							1	
		(ATTACHING PARTS)								
-4	52SCB403	CLIP, Aft outboard							2	
-5	52SCB404	CLIP, Aft inboard							2	
-6	52SCB405	CLIP, Forward inboard and outboard							2	
-7	52SCB406	CLIP, Forward inboard							1	
-8	52SCB407	CLIP, Forward outboard							1	
-9	AN3-5A	BOLT							16	
	AN960-10	WASHER							16	
	AN365-1032	NUT							16	
-10	AN3-4A	BOLT							19	
	AN960-10	WASHER							19	
	AN365-1032	NUT							19	
-11	AN3-5A	BOLT							7	
	AN960-10	WASHER							7	
	AN365-1032	NUT							7	
		-----*								
	52SCF485	COMPARATOR INSTL, CM-3/APN-3							1	
-12	CM3-APN3	COMPARATOR, Radar JAN type CM-3/APN-3 (GFP)							1	
-13	MT167-APN3	MOUNT ASSY, JAN type MT-167/APN-3 (GFP)							1	
		(ATTACHING PARTS)								
-14	52SCB486	CHANNEL, Mounting							2	
-15	AN507-1032-8	SCREW							2	
	AN960-10	WASHER							2	
	AN365-1032	NUT							2	
-16	AN515-10R10	SCREW							14	
	AN960-10	WASHER							14	
	AN365-1032	NUT							14	
		-----*								
	52SCK471	EQUIPMENT INSTL, ID-17/APN-3							1	
-17	ID17-APN3	INDICATOR ASSY, Radar JAN type ID-17/APN-3 (GFP)							1	
-18	R15-APN3	RECEIVER ASSY, Radar JAN type R-15/APN-3 (GFP)							1	
-19	52SCD472	COMPUTER ASSY, Radar type K1A (GFP)							1	
	MT-216-APN3	MOUNT ASSY, Detachable ID-17/APN-3 complete							1	
-20		MOUNT ASSY, Detachable JAN type MT-216/APN-3 (modified per 48SCC400)							1	
-21	AN507-428R32	SCREW							8	
	AN960-416	WASHER							2	
	AN960-416L	WASHER							2	
-22	52SCD473	PAN ASSY, Mount detachable							1	
-23	AN392-17	PIN							2	
	AN960-4	WASHER							2	
-24	AN393-31	PIN							1	
	AN960-10	WASHER							8	
-25	52SCB477	HANDLE, Mount detachable							1	
-26	52SCA478	PIN, Holding spring							2	
-27	52SCB474	BAR, Mount detachable							2	
-28	52SCA476	SPRING, Mount detachable							2	
	AN960-416L	WASHER							2	
-29	AN751-1-6	JUMPER							1	
-30	AN528-832-8	SCREW							2	
	AN960-8L	WASHER							2	
	AN365-832	NUT							2	
	52SCD901	RACK ASSY, ID-17/APN-3							1	
-31	52SCA479	PIN, Anchor							2	
-32	AN316-6R	NUT							2	
	AN960D616L	WASHER							4	
-33	AN364-624	NUT							2	
-34	52SCB480	BEAM, Rack front							1	
-35	52SCB481	BEAM, Rack rear							1	
-36	52SCB482	BEAM, Rack inboard							1	
-37	52SCB483	BEAM, Rack outboard							1	
-38	52SCB580	STIFFENER, Rack							2	
-39	AN507-428R12	SCREW							4	
	AN960D416	WASHER							4	
	AN365-428	NUT							4	
-40	AN507-428R30	SCREW							4	
-41	AN507-428R34	SCREW							4	
-42	AN507-428R28	SCREW							6	
-43	52SCA58-1	SPACER							4	
-44	52SCA58-2	SPACER							1	
-45	52SCA58-3	SPACER							6	
-46	52SCA58-4	SPACER							2	
-47	52SCA58-5	SPACER							1	
	AN960-416	WASHER							14	
	AN365-428	NUT							14	

FIGURE & INDEX NO.	PART NO.	DESCRIPTION							UNITS PER ASSY	USABLE ON CODE
		1	2	3	4	5	6	7		
164-48	52SCB586								1	
-49	AN833-4D								1	
	AN960D716								1	
	AN924-4D								1	
-50	AN837-4D								1	
	AN960D716								1	
	AN924-4D								1	
-51	AN837-2D								2	
	AN960-516								2	
	AN924-2D								2	
-52	52SCC517-3								2	
-53	52SCC484								1	
	52SCC538								1	
	52SCC530								1	
-54	SATSC46D2651-1								1	
-55	AN515-8R18								4	
-56	48B24094DD2-12								4	
-57	AN8013D1								8	
-58	AN365-832								4	
-59	ID103-APN3								1	
									1	
-60	AN515B6-12								4	
	A6939-632-3								4	
	51SCB1578								1	
-61	51SCB1577								1	
-62	AN3022-2								1	
									2	
-63	AN515-6-6								2	
-64	52SCC499								1	
									1	
-65	52SCC401								1	
	AT13-APN3								1	
-66	51SCA1432								2	
-67	AN3-6A								4	
	AN960-10								4	
	AN365-1032								4	
	52SCD550								4	
-68	AT14-APN3								1	
-69	51SCA1432								1	
-70	52SCC551								1	
-71	AN520-10R22								2	
	AN960-10								2	
	AN365-1032								2	
-72	AN520-10R24								2	
	AN960-10								2	
	AN365-1032								2	

Section II
Group Assembly Parts List

T.O. 1B-26B-4
ELECTRONICS

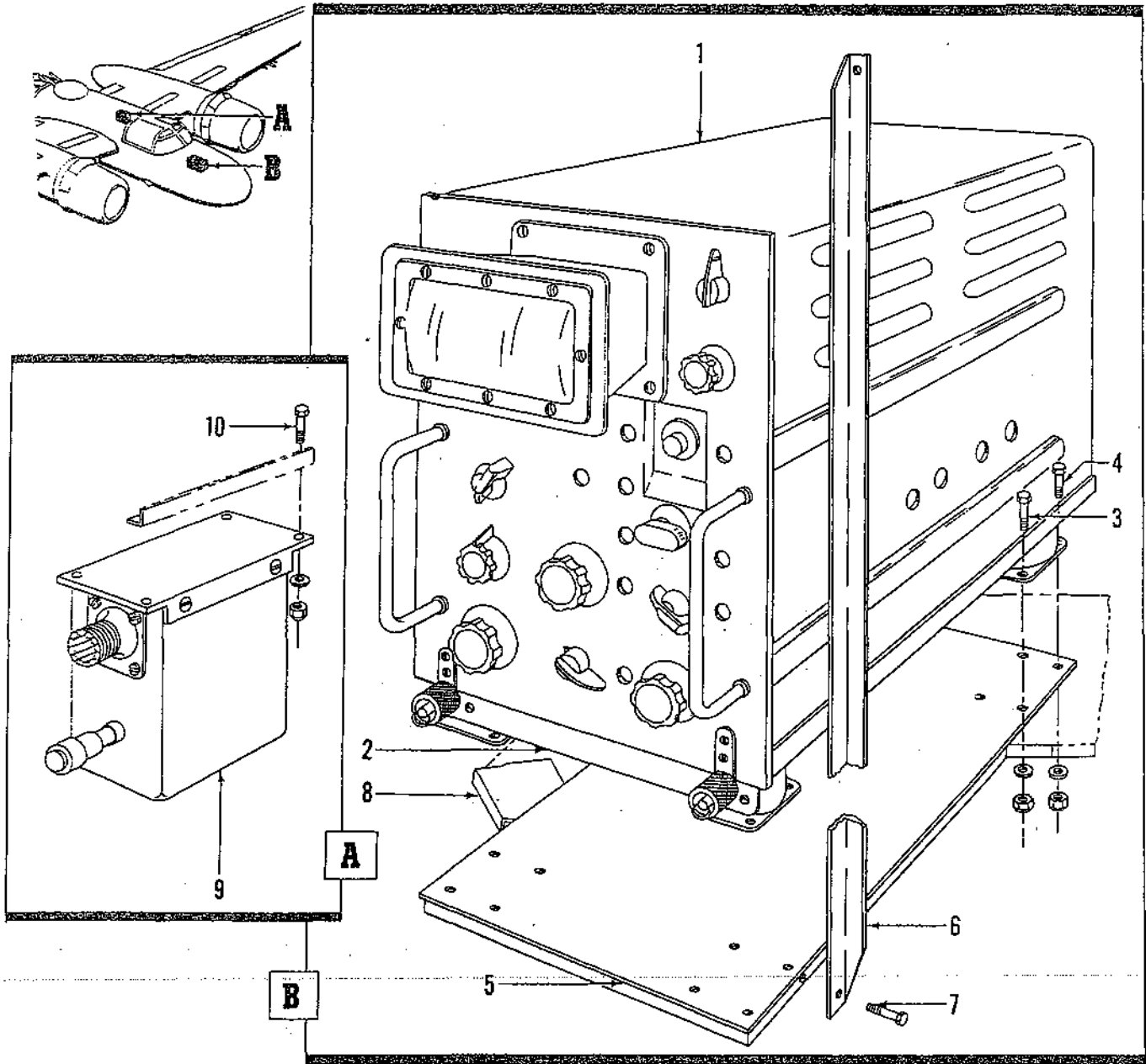


Figure 165. Radio Equipment Installation, AN/APN-9

FIGURE & INDEX NO.	PART NO.	1 2 3 4 5 6 7	DESCRIPTION	UNITS PER ASSY	USABLE ON CODE
165-	52SCH508		RADIO EQUIPMENT INSTL, AN/APN-9	1	
-1	R65-APN9		RECEIVER, Radio JAN type R-65/APN-9 (GFP)	1	
-2	MT203-APN9		MOUNTING BASE, JAN type MT-203/APN-9 (GFP)	1	
-3	AN3-3A		(ATTACHING PARTS)		
	AN960-10		BOLT	8	
	AN365-1032		WASHER	8	
	AN3-5A		NUT	8	
-4	AN960-10		BOLT	8	
	AN960-10		WASHER	8	
	AN365-1032		NUT	8	

FIGURE & INDEX NO.	PART NO.	DESCRIPTION							UNITS PER ASSY	USABLE ON CODE
		1	2	3	4	5	6	7		
165-5 -6 -7 -8 -9 -10	52SCD509	SHELF ASSY, Receiver-indicator JAN type R-65/APN-9							1	
	52SCC515	SHELF, Support:angle (ATTACHING PARTS)							1	
	AN3-3A	BOLT							2	
	AN960-10	WASHER							2	
	AN365-1032	NUT							2	
	52SCC516	SHELF, Support:gusset							1	
	52SCC574	COUPLING ENSTL, Antenna JAN type CU-92/APN-9							1	
	CU92-APN9	COUPLING ASSY, Antenna JAN type CU-92/APN-9 (GFP) (ATTACHING PARTS)							1	
	AN3-3A	BOLT							2	
	AN960-10	WASHER							2	
AN365-1032	NUT							2		
A USAF		44-34639, 44-34718, 44-34723, 44-35361, 44-35380, 44-35382, 44-35383, 44-35391, 44-35400, 44-35402, 44-35407, 44-35411, 44-35412, 44-35432, 44-35530, 44-35540, 44-35631, 44-35635, 44-35639, 44-35641, 44-35652, 44-35680, 44-35703, 44-35753, 44-35760, 44-35763, 44-35777, 44-35784, 44-35790, 44-35835, 44-35849, 44-35853, 44-35856, 44-35857, 44-35860, 44-35861, 44-35868, 44-35872, 44-35876, 44-35877, 44-35880 thru 44-35882, 44-35887, 44-35892, 44-35893, 44-35901, 44-35902, 44-35908, 44-35919, 44-35926, 44-35928, 44-35930, 44-35932, 44-35934								

ELECTRONICS

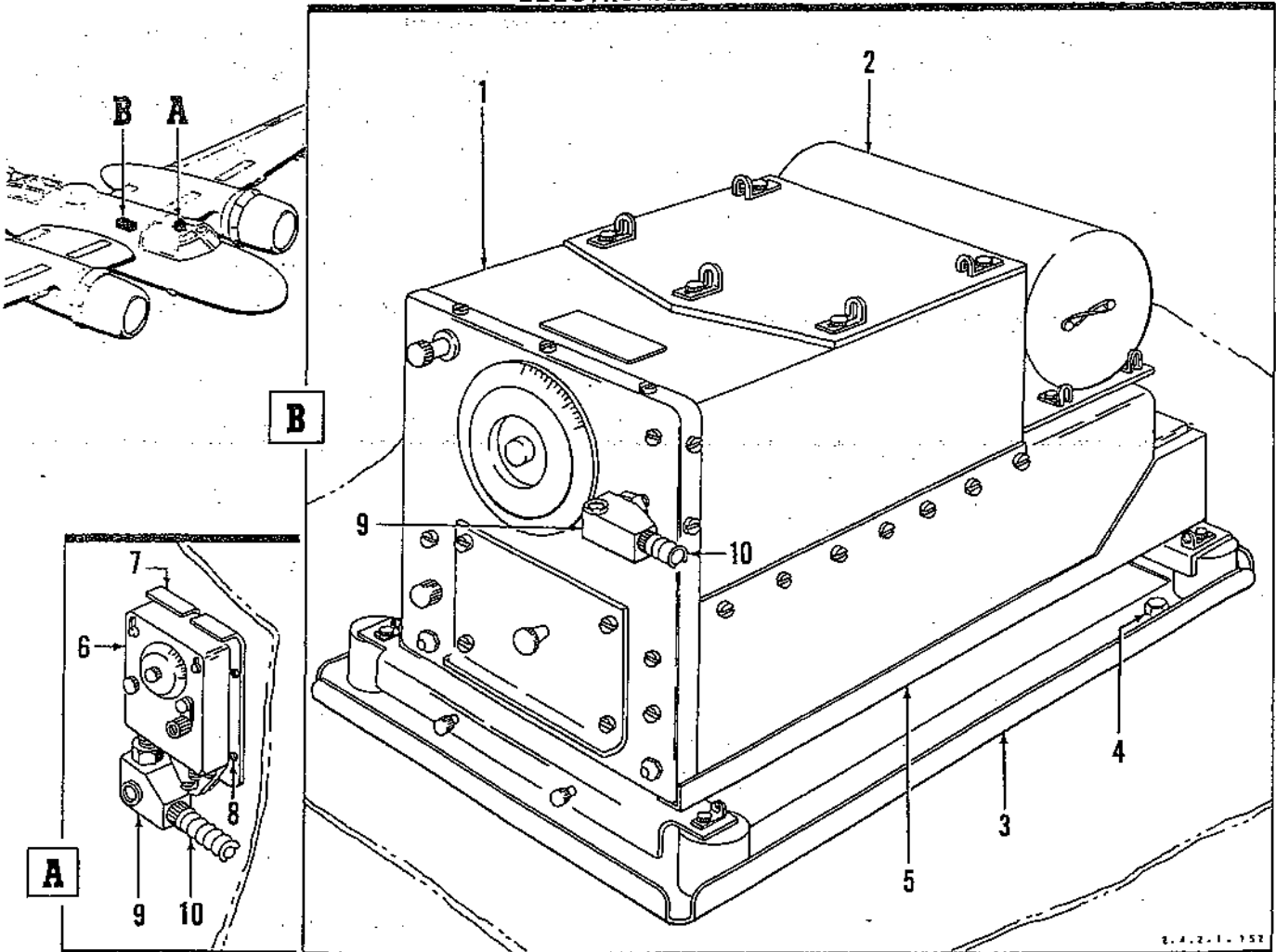


Figure 166. Radio Installation, BC-453-B

Group Assembly Parts List

FIGURE & INDEX NO.	PART NO.	1 2 3 4 5 6 7	DESCRIPTION	UNITS PER ASSY	USABLE ON CODE
166-			RADIO INSTL, RC-453-B		
-1	BC453B		RECEIVER, Radio SIG type BC-453-B (GFP).....	1	
-2	DM32		DYNAMOTOR, SIG type DM-32 (GFP).....	1	
-3	FT231		MOUNTING BASE, SIG type FT-231 (GFP).....	1	
			(ATTACHING PARTS)		
-4	AN3-5A		BOLT.....	4	
	AN960-10		WASHER.....	4	
	AN365-1032		NUT.....	4	
			-----*		
-5	FT233		MOUNTING RACK, SIG type FT-233 (GFP).....	1	
-6	BC473		CONTROL BOX, Radio SIG type BC-473 (GFP).....	1	
-7	FT235		MOUNTING BASE, SIG type FT-235 (GFP).....	1	
			(ATTACHING PARTS)		
-8	AN515-8-8		SCREW.....	4	
	AN960-8		WASHER.....	4	
	AN365-832		NUT.....	4	
			-----*		
-9	MC211		COUPLING, SIG type MC-211 (GFP).....	2	
-10	MC215		TUNING SHAFT, SIG type MC-215 (GFP).....	1	

ELECTRONICS

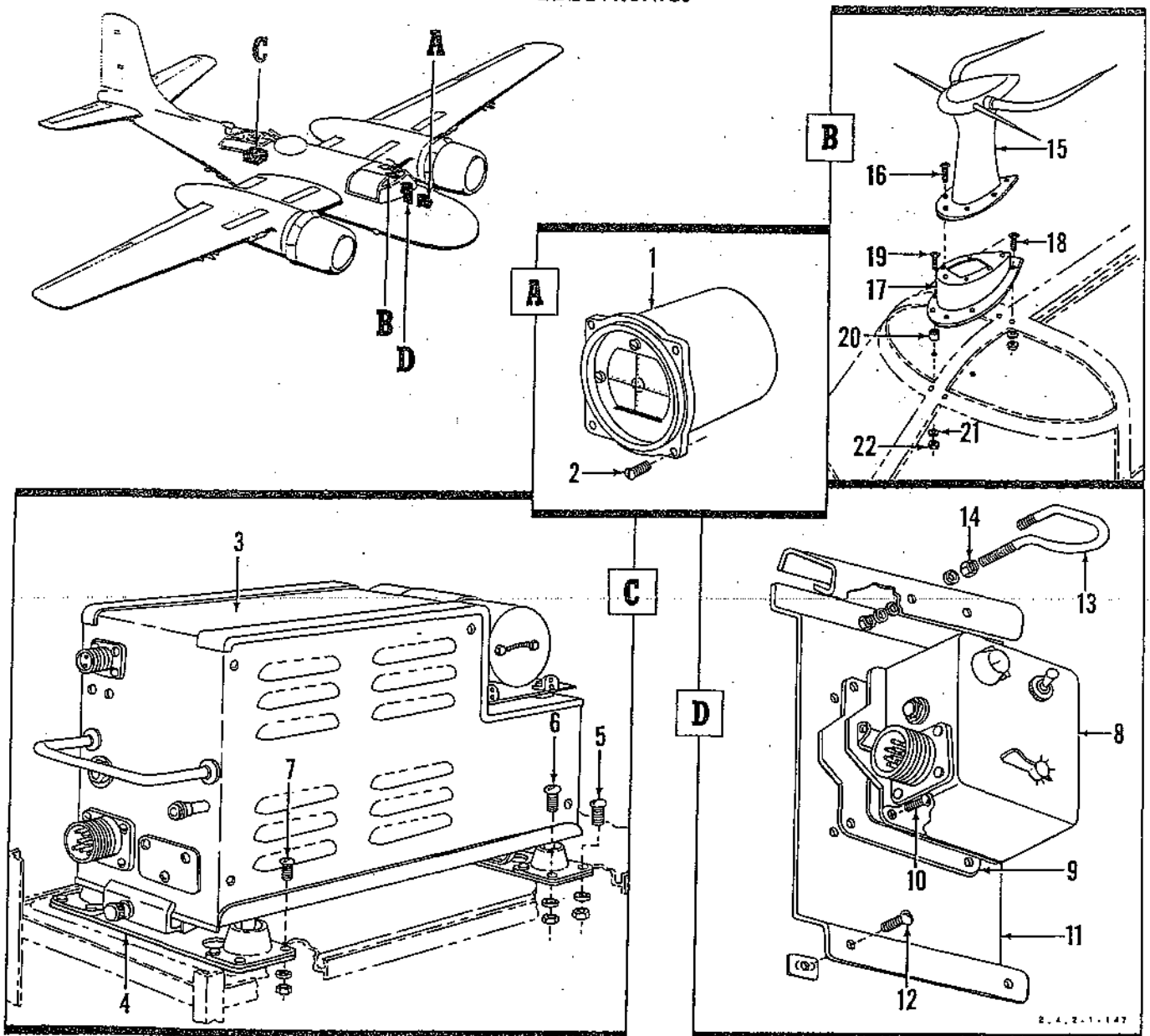
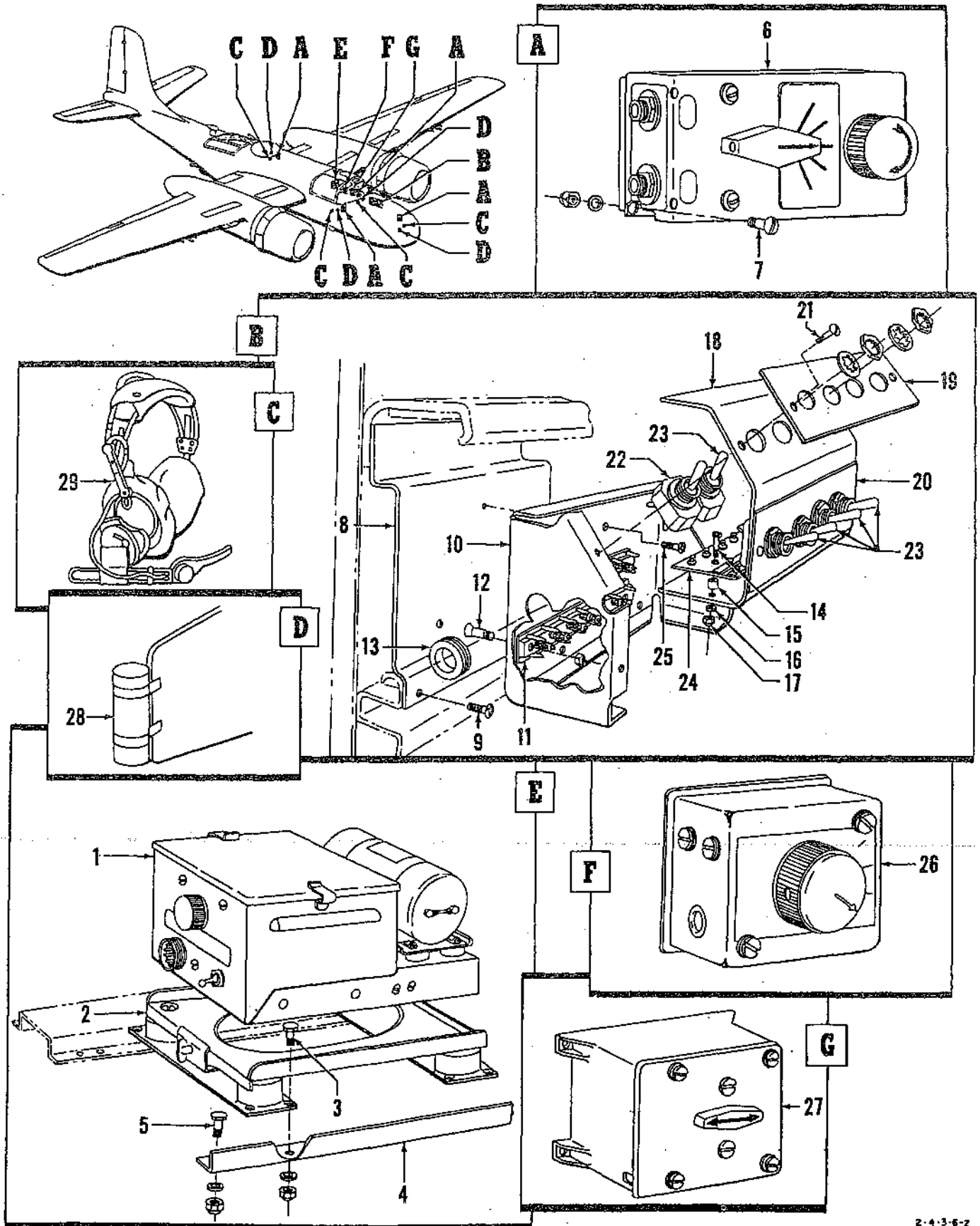


Figure 167. Radio System Installation, RC-103-A

FIGURE & INDEX NO.	PART NO.	1	2	3	4	5	6	7	DESCRIPTION	UNITS PER ASSY	USABLE ON CODE
167-									RADIO SYSTEM INSTL, RC-103-A.....	1	A
-1	I-101C								INDICATOR, SIG type I-101-C (GFP)	1	A
									(ATTACHING PARTS)		
-2	AN515B6-16								SCREW.....	4	A
									-----*-----		
-3	52SCJ937								RECEIVER INSTL, BC-733-D.....	1	A
	BC733D								RECEIVER, Radio SIG type BC-733-D (GFP)	1	A
-4	FT293A								MOUNTING BASE, SIG type FT-293-A (GFP)	1	A
									(ATTACHING PARTS)		
-5	AN515-10-12								SCREW.....	4	A
	AN960-10								WASHER.....	4	A
	AN365-1032								NUT.....	4	A
-6	AN515-10-10								SCREW.....	8	A
	AN960-10								WASHER.....	8	A
	AN365-1032								NUT.....	8	A
-7	AN515-10-8								SCREW.....	4	A
	AN960-10								WASHER.....	4	A
	AN365-1032								NUT.....	4	A
									-----*-----		
-8	51SCD907								RADIO CONTROL BOX INSTL, BC-732-A.....	1	A
	BC732A								BOX, Radio control SIG type BC-732-A (GFP)	1	A
-9	FT292A								MOUNTING BASE, SIG type FT-292-A (GFP)	1	A
									(ATTACHING PARTS)		
-10	AN526-1032R6								SCREW.....	4	A
									-----*-----		
-11	51SCC908								PLATE, Mounting.....	1	A
									(ATTACHING PARTS)		
-12	AN530-8R6								SCREW.....	2	A
	A6416-8Z1								NUT, Speed (TIN).....	2	A
									-----*-----		
-13	51SCB909								GUARD, Radio control box.....	1	A
									(ATTACHING PARTS)		
-14	AN315-4R								NUT.....	4	A
	AN960-416								WASHER.....	2	A
	AN935-416								WASHER.....	4	A
									-----*-----		
-15	52SCD561								ANTENNA INSTL, AS-27/ARN-5.....	1	A
	AS27-ARN5								ANTENNA ASSY, JAN type AS-27/ARN-5 (GFP)	1	A
									(ATTACHING PARTS)		
-16	AN526-832R8								SCREW.....	6	A
									-----*-----		
-17	AS27-ARN5								MOUNTING ASSY, AS-27/ARN-5 (GFP)	1	A
									(ATTACHING PARTS)		
-18	AN507-1032R14								SCREW.....	4	A
	AN960-10								WASHER.....	4	A
	AN365-1032								NUT.....	4	A
-19	AN507-1032R12								SCREW.....	2	A
-20	48B24094DD3-20								SPACER, Screw and bolt.....	2	A
-21	AN960-10								WASHER.....	2	A
-22	AN365-1032								NUT.....	2	A
									-----*-----		
									A USAF 41-39100 thru 41-39402		
									41-39404 thru 41-39424		
									41-39426 thru 41-39466		
									41-39469 thru 41-39478		
									41-39480 thru 41-39524		
									41-39526 thru 41-39599		
									43-22252 thru 43-22533		
									43-22534 thru 43-22615		
									43-22617 thru 43-22713		
									43-22715 thru 43-22727		
									43-22729 thru 43-22751		
									44-34098 thru 44-34147		
									44-34149 thru 44-34211		
									44-34213 thru 44-34601		
									44-34603 thru 44-35228		
									44-35230 thru 44-35422		
									44-35424 thru 44-35427		
									44-35429 thru 44-35618		
									44-35620 thru 44-35732		
									44-35734 thru 44-36797		



2-4-3-6-2

Figure 168. Radio Equipment Installation, AN/AIC-2

FIGURE & INDEX NO.	PART NO.	DESCRIPTION							UNITS PER ASSY	USABLE ON CODE
		1	2	3	4	5	6	7		
168-	51SCH1500-2	RADIO EQUIPMENT INSTL, AN/AIC-2							1	
-1	AM26-AIC	AMPLIFIER ASSY, Interphone JAN type AM-26/AIC (GFP)							1	
-2	MT28-ARN5	MOUNTING BASE (GFP)							1	
		(ATTACHING PARTS)								
-3	AN3-4A	BOLT							8	
	AN960-10	WASHER							8	
	AN365-1032	NUT							8	
		- * - - -								
-4	No Number	ANGLE, Support JAN type AM-26/AIC							1	
		(ATTACHING PARTS)								
-5	AN3-4A	BOLT							2	
	AN960-10	WASHER							2	
	AN365-1032	NUT							2	
		- * - - -								
-6	EC1336M	JACK BOX (GFP)							4	
		(ATTACHING PARTS)								
-7	AN515-8-8	SCREW							4	
	AN960-8	WASHER							4	
	AN365-832	NUT							4	
		- * - - -								
	52SCD409	INTERPHONE SWITCH INSTL, Mixer							1	
-8	52SCC413	PLATE ASSY, Mounting							1	
		(ATTACHING PARTS)								
-9	AN530-8R6	SCREW							3	
	A6416-821	NUT, Speed steel double lug (TIN)							3	
		- * - - -								
	52SCC410	BOX ASSY, Switch mixer							1	
	52SCC579	FRAME ASSY, Switch mixer box							1	
-10	AN3436-2-6	TERMINAL BLOCK ASSY							2	
-11	AN3434-1	STRIP							4	
		(ATTACHING PARTS)								
-12	AN507-440-5	SCREW							4	
	AN365-440	NUT							4	
		- * - - -								
-13	AN931-7-11	GROMMET							1	
-14	AN515-8R12	SCREW							2	
-15	49A2030-2	SPACER							2	
-16	AN960-8	WASHER							2	
-17	AN365-832	NUT							2	
-18	52SCB578	COVER, Switch mixer box							1	
-19	52SCB411	PLATE, Switch mixer box upper							1	
-20	52SCB412	PLATE, Switch mixer box lower							1	
		(ATTACHING PARTS)								
-21	AN526-832-7	SCREW							4	
		- * - - -								
-22	AN3021-3	SWITCH							1	
-23	AN3021-10	SWITCH							7	
-24	50B2129	BOARD ASSY, Resistor terminal							1	
-25	AN515-8R7	SCREW							3	
-26	C97-AIC-2	GAIN CONTROL, Remote JAN type C-97/AIC-2 (GFP)							1	
-27	FL30	FILTER, Radio, JAN type FL-30 (GFP)							1	
-28	MX1646-AIC	MICROPHONE, Adapter (installed by T.O. 1B-26-315)							4	
-29	H78-AIC	HEADSET AND MICROPHONE ASSY, (GFAE)							4	

Section II
Group Assembly Parts List

T.O. 1B-26B-4
ELECTRONICS

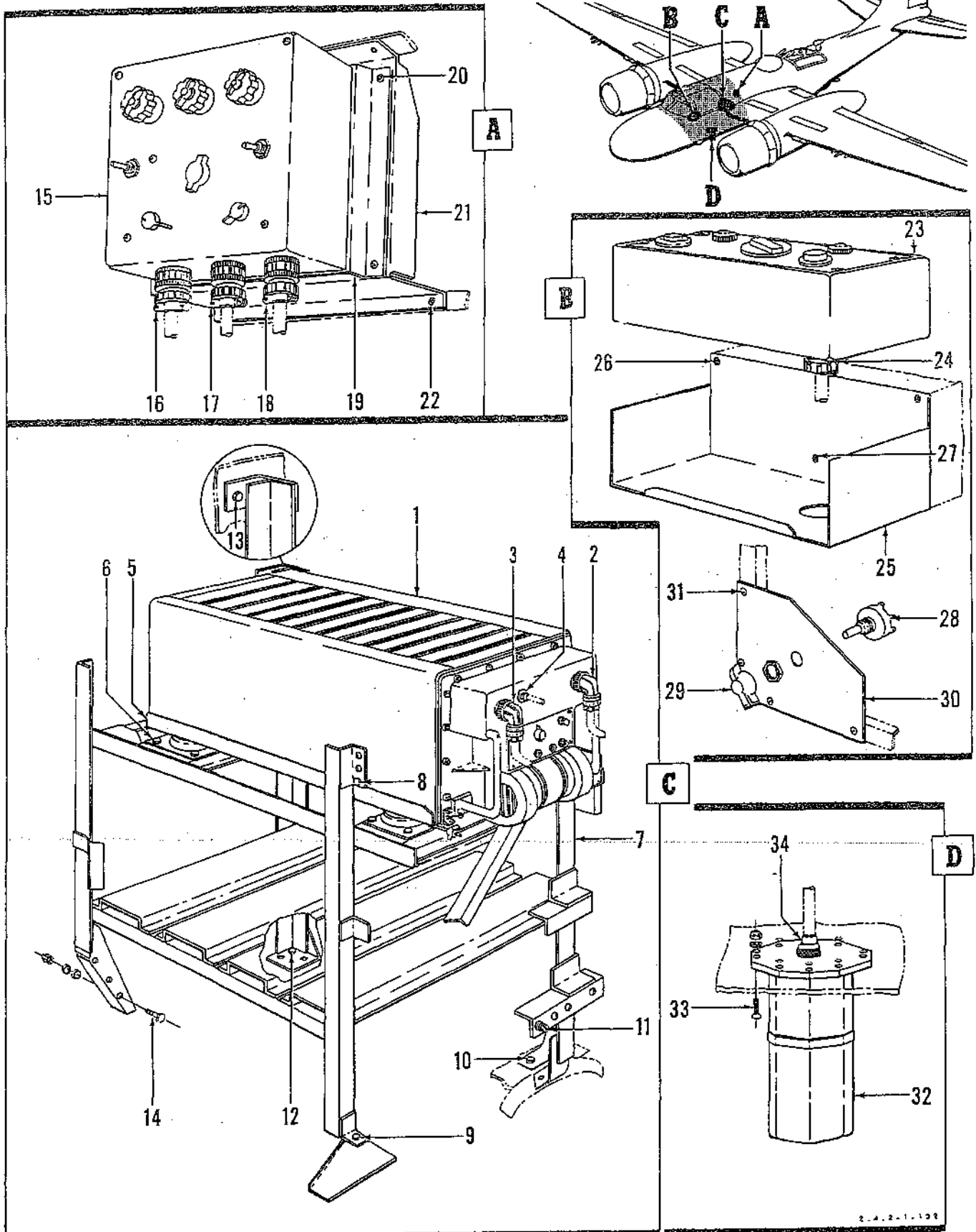


Figure 169. Radio Set Kit Installation, AN/ARC-27

FIGURE & INDEX NO.	PART NO.	I 2 3 4 5 6 7	DESCRIPTION	UNITS PER ASSY	USABLE ON CODE
169-			RADIO SET KIT INSTL, AN/ARC-27		
-1	RT178-ARC27		TRANSMITTER-RECEIVER, JAN type RT-178/ARC-27 (GFP)	1	
-2	AN3108B-24-5S AN3057-16		CONNECTOR ADAPTER	1 1	
-3	AN3108-24-7S AN3057-16		CONNECTOR ADAPTER	1 1	
-4	UG21C-U		CONNECTOR, Plug JAN type UG-21C/U	1	
-5	MT822-ARC27		MOUNTING BASE, JAN type MT-822/ARC-27 (GFP) (ATTACHING PARTS)	1	
-6	AN3-4A AN960-10 AN365-1032		BOLT WASHER NUT	16 16 16	
-7	212-0801		RACK, Radio (ATTACHING PARTS)	1	
-8	AN3-4A AN960-10 AN960-10L AN365-1032		BOLT WASHER WASHER NUT	3 3 3 3	
-9	AN3-5A AN960-10 AN960-10L AN365-1032		BOLT WASHER WASHER NUT	1 1 1 1	
-10	AN3-3A AN960-10 AN960-10L AN365-1032		BOLT WASHER WASHER NUT	2 2 2 2	
-11	AN3-6A AN960-10 AN960-10L AN365-1032		BOLT WASHER WASHER NUT	4 4 4 4	
-12	AN3-4A AN960-10 AN960-10L AN365-1032		BOLT WASHER WASHER NUT	3 3 3 3	
-13	AN3-5A AN960-10 AN960-10L AN365-1032		BOLT WASHER WASHER NUT	2 2 2 2	
-14	AN3-4A AN960-10 AN960-10L AN365-1032		BOLT WASHER WASHER NUT	3 3 3 3	
-15	C626-ARC27		CONTROL, Radio set JAN type C-626/ARC-27 (GFP)	1	
-16	AN3106-24-7S AN3057-16		CONNECTOR ADAPTER	1 1	
-17	AN3106-24-20P AN3057-16		CONNECTOR ADAPTER	1 1	
-18	AN3106-24-5P AN3057-16		CONNECTOR ADAPTER	1 1	
-19	MT82-ARC27		MOUNTING BASE, JAN type MT-82/ARC-27 (GFP) (ATTACHING PARTS)	1	
-20	AN515-8R8 AN960D8L AN365-832A		SCREW WASHER NUT	6 12 6	
-21	240-0300-1		BRACKET (ATTACHING PARTS)	1	
-22	AN509-10R12 AN960D10 AN365-1032A		SCREW WASHER NUT	4 4 4	
-23	C628-ARC27		CONTROL, Radio set JAN type C-628/ARC-27 (GFP)	1	
-24	AN3106A-22-14S AN3057-12		CONNECTOR ADAPTER	1 1	
-25	212-0201		BRACKET, Control (ATTACHING PARTS)	1	
-26	AN507-1032R8		SCREW	2	
-27	AN507-1032R12		SCREW	1	
-28	AN3155-25-200		RHEOSTAT	1	
-29	AN3220-2		KNOB	1	
-30	212-0300-1		BRACKET, Rheostat (ATTACHING PARTS)	1	
-31	AN515-10-8 AN960-10 AN365-1032		SCREW WASHER NUT	4 4 4	
-32	AT2561-ARC		ANTENNA ASSY, AN type AT-2561ARC (GFP) (ATTACHING PARTS)	1	
-33	AN509-10R19 AN960-10 AN365-1032		SCREW WASHER NUT	8 8 8	
-34	UG21C-U		CONNECTOR, Plug JAN type UG-21C/U	1	

Section II
Group Assembly Parts List

T.O. 1B-26B-4
ELECTRONICS

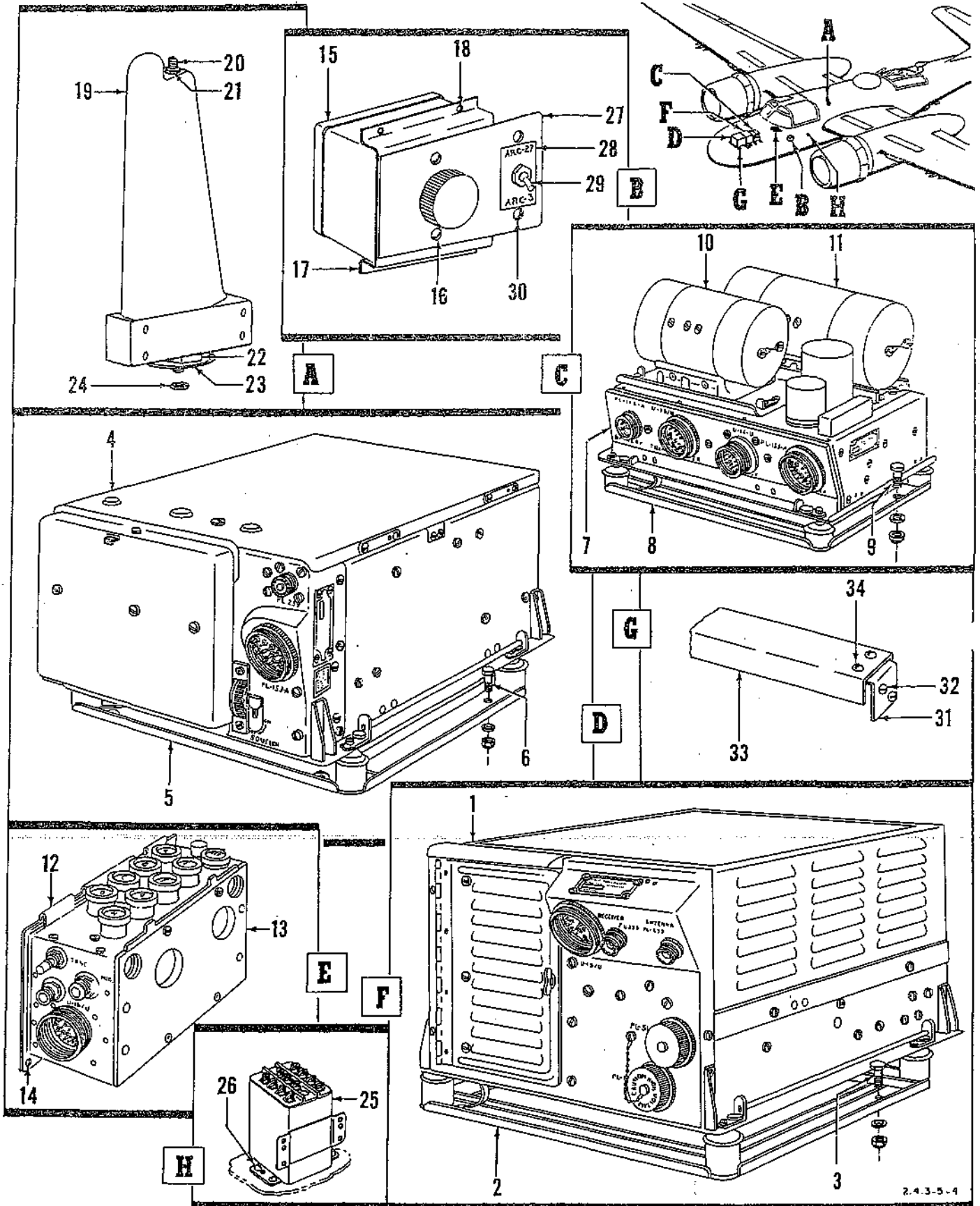


Figure 170. Radio Equipment Installation AN/ARC-3

FIGURE & INDEX NO.	PART NO.	DESCRIPTION							UNITS PER ASSY	USABLE ON CODE
		1	2	3	4	5	6	7		
170-		RADIO EQUIPMENT INSTL, AN/ARC-3								
-1	T67-ARC3	TRANSMITTER, Radio (GFP)							1	
-2	MT238-ARC3	MOUNTING BASE (GFP)							1	
		(ATTACHING PARTS)								
-3	AN3-5A	BOLT							4	
	AN960-10	WASHER							4	
	AN365-1032	NUT							4	
		- - - * - - -								
-4	R77-ARC3	RECEIVER, Radio (GFP)							1	
-5	MT237A-ARC3	MOUNTING BASE (GFP)							1	
		(ATTACHING PARTS)								
-6	AN3-5A	BOLT							4	
	AN960-10	WASHER							4	
	AN365-1032	NUT							4	
		- - - * - - -								
-7	J68-ARC3	JUNCTION BOX (GFP)							1	
-8	MT236-ARC3	MOUNTING BASE (GFP)							1	
		(ATTACHING PARTS)								
-9	AN3-5A	BOLT							4	
	AN960-10	WASHER							4	
	AN365-1032	NUT							4	
		- - - * - - -								
-10	DY21-ARC3	DYNAMOTOR (GFP)							1	
-11	DY22-ARC3	DYNAMOTOR (GFP)							1	
-12	FT240A	MOUNTING BASE (GFP)							1	
-13	C118-ARC3	CONTROL BOX (GFP)							1	
		(ATTACHING PARTS)								
-14	AN515-8-8	SCREW							4	
		- - - * - - -								
-15	C197-ARC3	CONTROL UNIT (GFP)							1	
-16	AN515-6-6	SCREW							2	
-17	48C2491	MOUNTING BRACKET, Type C-197/ARC-3 control unit							1	
		(ATTACHING PARTS)								
-18	AN515-8-8	SCREW							4	
	AN960-8	WASHER							4	
	AN365-832	NUT							4	
		- - - * - - -								
-19	AN104B	ANTENNA (GFP)							1	
-20	2126702	LEAD-IN, Radio antenna							1	
-21	AN345B10	NUT							1	
-22	1127678	GUIDE							1	
-23	143908-007M300-062	WASHER							1	
-24	AN316-4R	NUT							1	
-25	AN3312-1	RELAY							1	A
		(ATTACHING PARTS)								
-26	AN515-8-8	SCREW							4	A
	AN960-8L	WASHER							4	A
	AN365-832	NUT							4	A
		- - - * - - -								
-27	53C110008-2	PLATE, Radio switch							1	A
-28	53C110008-3	DECALCOMANIA							1	A
-29	AN3022-2	SWITCH							1	A
		(ATTACHING PARTS)								
-30	AN515-6-6	SCREW							2	A
		- - - * - - -								
-31	53B110006	ANGLE, Channel supporting							10	A
		(ATTACHING PARTS)								
-32	AN520-10-10	SCREW							2	A
	AN960-10	WASHER							2	A
	AN365-1032	NUT							2	A
		- - - * - - -								
-33	53B110005	CHANNEL, Equipment mounting							5	A
		(ATTACHING PARTS)								
-34	AN520-10-10	SCREW							4	A
	AN960-10	WASHER							4	A
	AN365-1032	NUT							4	A
		- - - * - - -								
A Used on TB-26B low target aircraft with VHF/UHF installed.										

Section II
Group Assembly Parts List

T.O. 1B-26B-4
ELECTRONICS

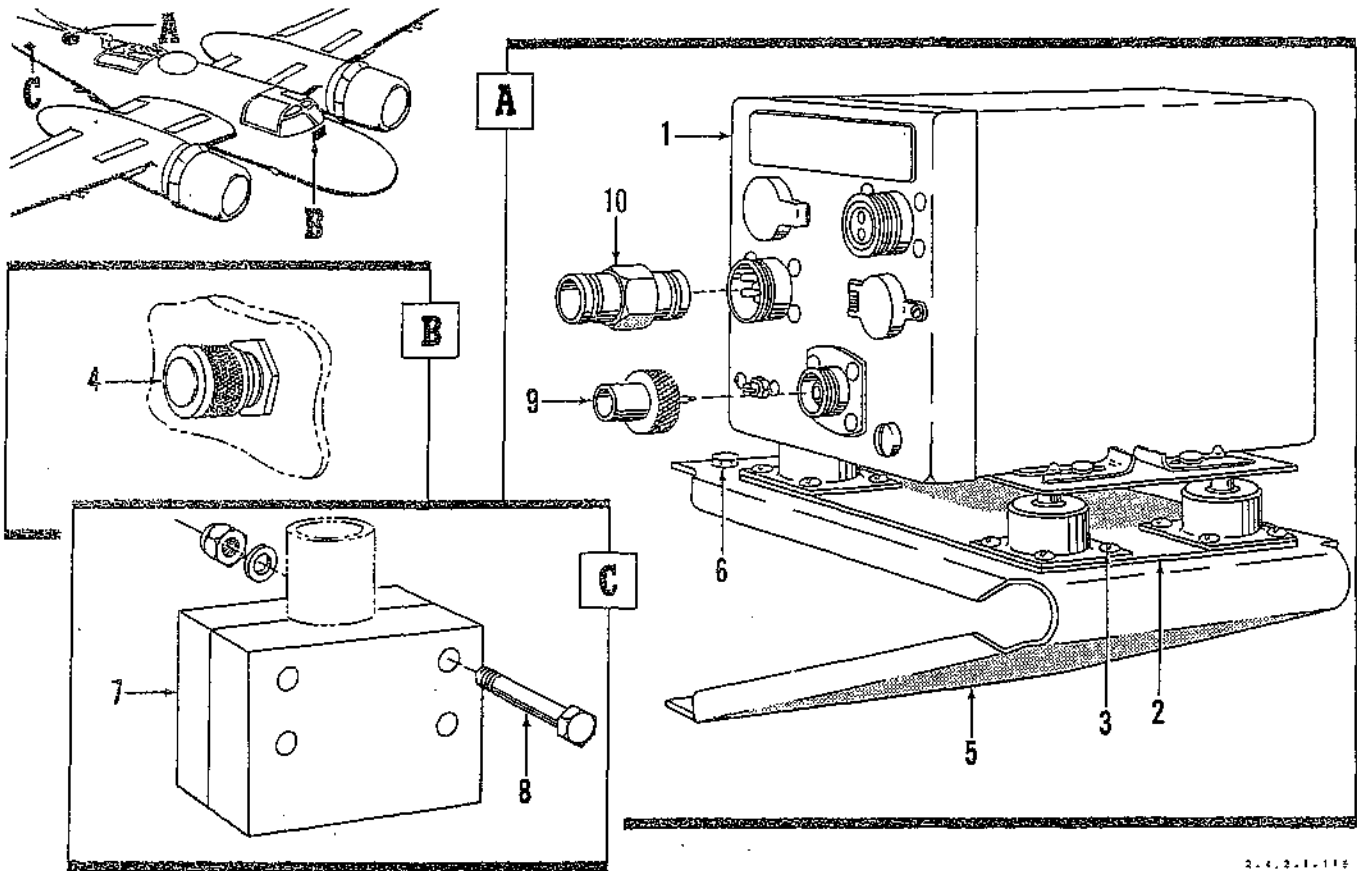


Figure 171. Radio Equipment Kit Installation, RC-193-A

2-4-2-1-115

FIGURE & INDEX NO.	PART NO.	1 2 3 4 5 6 7	DESCRIPTION	UNITS PER ASSY	USABLE ON CODE
171-			RADIO EQUIPMENT KIT INSTL, RC-193-A		A
-1	BC1333		RECEIVER, Radio SIG type BC-1333 (GFP)	1	A
-2	FT161		MOUNTING BASE, SIG type FT-161 (GFP)	1	A
			(ATTACHING PARTS)		
-3	AN525-10-10		SCREW	16	A
	AN960-10		WASHER	16	A
	AN365-1032		NUT	16	A
			--- * ---		
-4	AN3157-4		LIGHT ASSY	1	A
	AN3121-313		LAMP	1	A
-5	47G2709		BRACKET, Mounting	1	A
			(ATTACHING PARTS)		
-6	AN3-5A		BOLT	8	A
			--- * ---		
-7	47D2702		CLAMP, Antenna	1	A
			(ATTACHING PARTS)		
-8	AN4-30A		BOLT	4	A
	AN960-416		WASHER	4	A
	AN365-428		NUT	4	A
			--- * ---		
-9	PL219		CONNECTOR, Plug SIG type PL-219 round male (GFP)	1	A
-10	PL108		CONNECTOR, Plug SIG type PL-108 4 round female (GFP)	1	A
			A USAF 41-39100 thru 41-39402		43-22729 thru 43-22751
			41-39408 thru 41-39424		44-34098 thru 44-34147
			41-39426 thru 41-39466		44-34149 thru 44-34211
			41-39469 thru 41-39478		44-34213 thru 44-34601
			41-39480 thru 41-39524		44-34603 thru 44-35228
			41-39526 thru 41-39599		44-35230 thru 44-35422
			43-22252 thru 43-22533		44-35424 thru 44-35427
			43-22534 thru 43-22615		44-35429 thru 44-35618
			43-22617 thru 43-22713		44-35620 thru 44-35732
			43-22715 thru 43-22727		44-35734 thru 44-36797

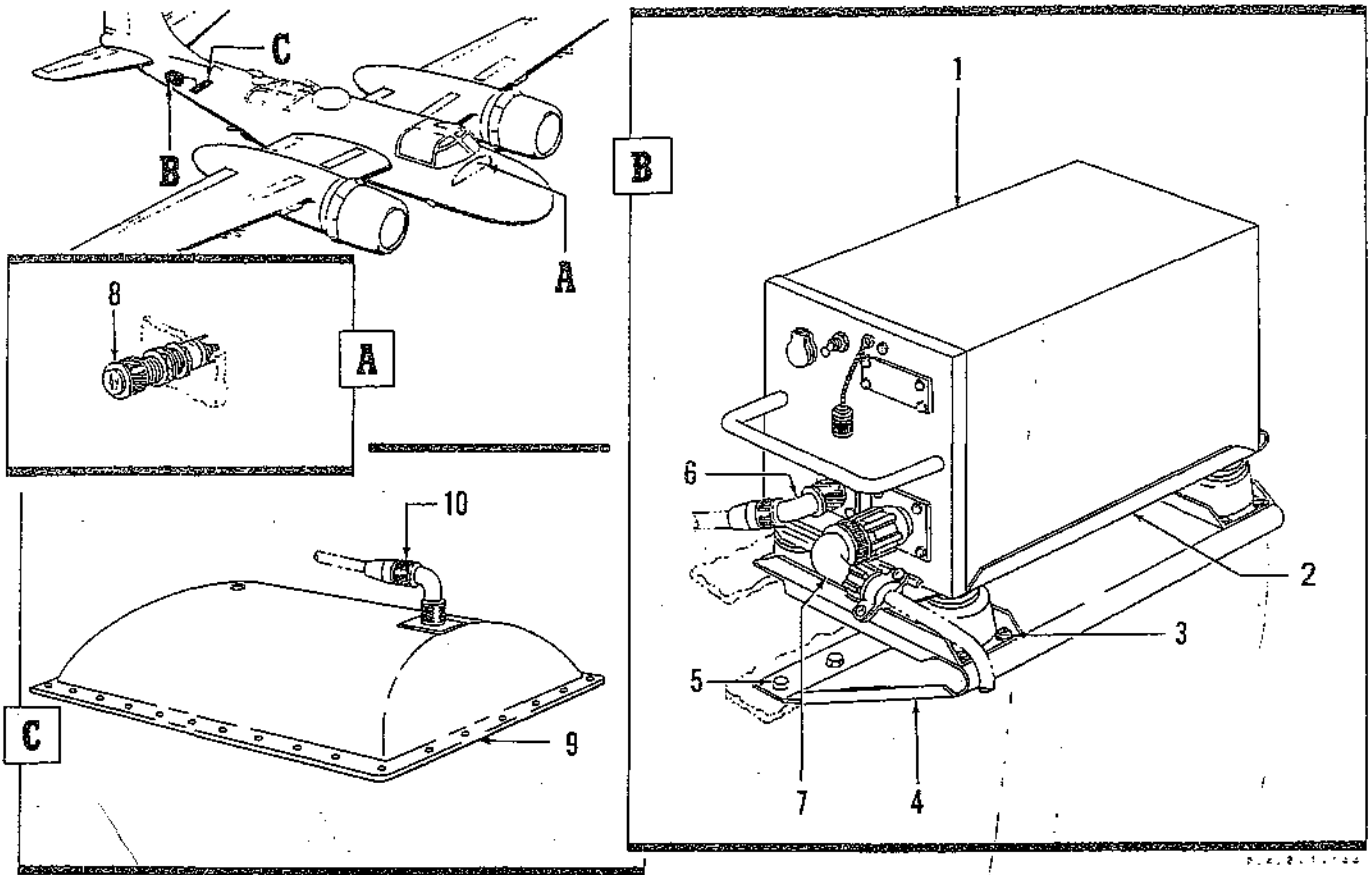


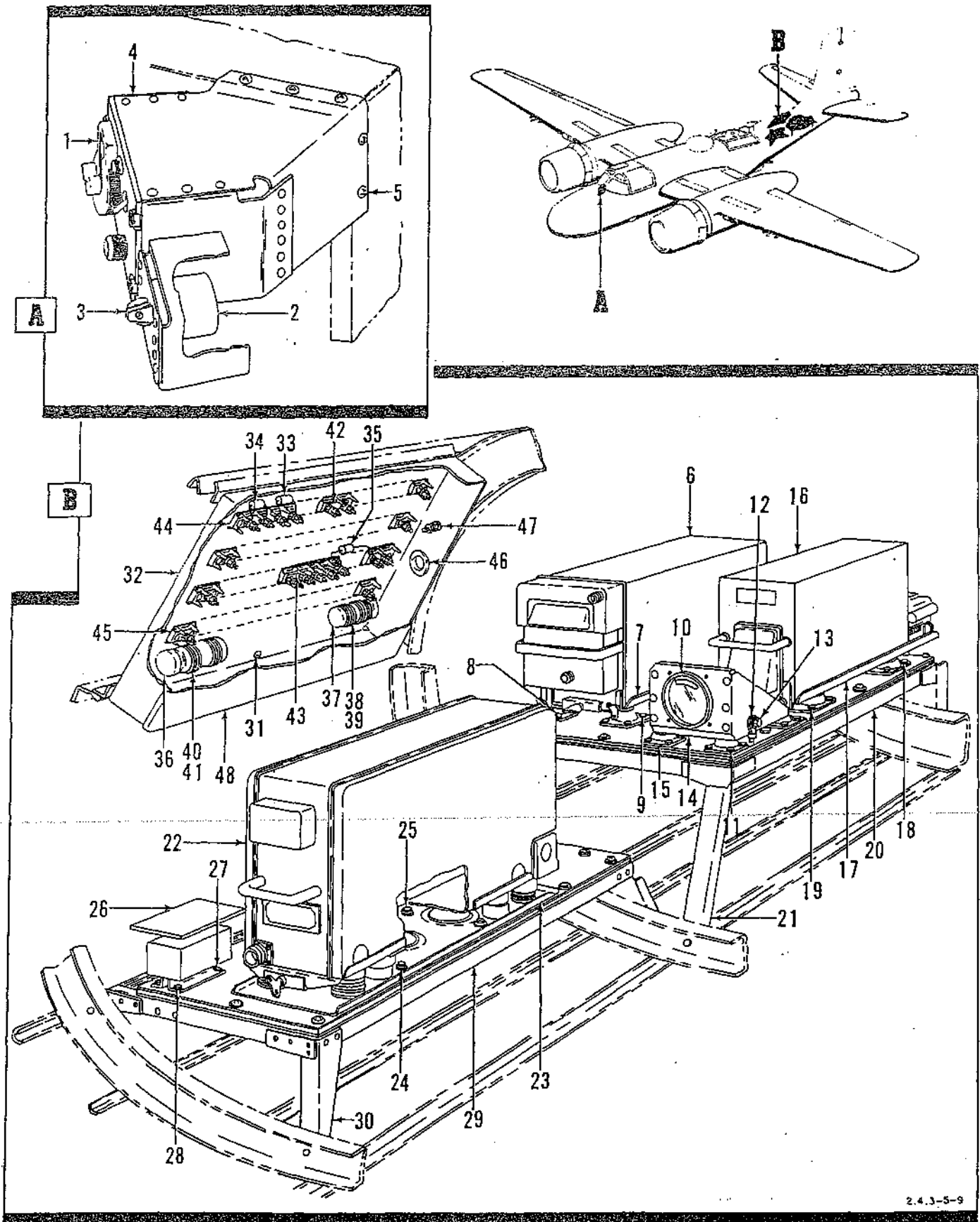
Figure 172. Radio Equipment Installation, AN/ARN-12

FIGURE & INDEX NO.	PART NO.	1 2 3 4 5 6 7	DESCRIPTION	UNITS PER ASSY	USABLE ON CODE
172-			RADIO EQUIPMENT INSTL, AN/ARN-12		
-1	R122-ARN12		RECEIVER, Radio JAN type R-122/ARN-12 (GFP)	1	
-2	MT589-ARN12		MOUNTING BASE, JAN type MT-589/ARN-12 (GFP)	1	
			(ATTACHING PARTS)		
-3	AN525-10-10		SCREW	16	
	AN960-10		WASHER	16	
	AN365-1032		NUT	16	
			--- * ---		
-4	47G2709		BRACKET, Mounting	1	
			(ATTACHING PARTS)		
-5	AN3-5A		BOLT	8	
			--- * ---		
-6	PL219		CONNECTOR, Plug SIG type PL-219 (GFP)	1	
-7	AN3108-18-9S		CONNECTOR	1	
-8	AN3157-4		LIGHT ASSY	1	
	AN3121-313		LAMP	1	
-9	AS215-ARN		ANTENNA ASSY, SIG type AS-215/ARN (GFP)	1	
-10	PL259A		CONNECTOR, Plug SIG type PL-259A (GFP)	1	

Section II
Group Assembly Parts List

T.O. 1B-26B-4

ELECTRONICS



2.4.3-5-9

Figure 172A. Navigation and Instrument Landing System Equipment Installation AN/ARN-14 and AN/ARN-18

FIGURE & INDEX NO.	PART NO.	1	2	3	4	5	6	7	DESCRIPTION	UNITS PER ASSY	USABLE ON CODE
172A		NAVIGATION AND INSTRUMENT LANDING SYSTEM EQUIPMENT INSTALLATION AN/ARN-14 AND AN/ARN-18									
-1	C760A-A								CONTROL C-760A/A (GFP)	1	
-2	AN3155-25-100								RHEOSTAT	1	
-3	AN3220-3								KNOB	1	
-4	E60004-9								PANEL ASSY, AN/ARN-14 control (ATTACHING PARTS)	1	
-5	AN515-8R8								SCREW	5	
	AN365-832A								NUT	5	
-6	R252B-ARN14								RECEIVER	1	
-7	MT1161-ARN14								MOUNT MT-1161/ARN-14 (GFP) (ATTACHING PARTS)	1	
-8	AN3-7A								BOLT	7	
	AN960D10L								WASHER	7	
	AN960D10								WASHER	7	
	AN365-1032A								NUT	7	
-9	AN3-7A								BOLT	9	
	AN960D10L								WASHER	9	
	E60048								WASHER	9	
	AN365-1032A								NUT	9	
-10	1D251-ARN								INDICATOR ID-251/ARN (GFP) (ATTACHING PARTS)	1	
	AN515-6-12								SCREW	4	
	AN960D6L								WASHER	4	
	NAS487-15								NUT	4	
	E60010-9								MOUNTING ASSY, Indicator (ATTACHING PARTS)	1	
-11	NAS229-14								SCREW	16	
	AN960D10L								WASHER	16	
	AN960D10								WASHER	16	
	AN365-1032A								NUT	16	
-12	MS25083-1BB3								JUMPER	1	
-13	AN3DD4A								BOLT	1	
	AN365D1032								NUT	1	
	AN960D10								WASHER	1	
	AN960D10L								WASHER	1	
-14	E60005-9								BRACKET ASSY, ID-251/ARN mounting	1	
	NAS228-13								SCREW	4	
	AN8013-1								WASHER	8	
	AN960D8L								WASHER	4	
	AN365-832								NUT	4	
-15	E6006-9								PLATE ASSY, ID-251/ARN mounting	1	
	A8008D22								INSULATOR	4	
	E60006-1								PLATE, Mounting	1	
-16	DY66B-ARN14								DYNAMOTOR DY-66B/ARN-14 (GFP)	1	
-17	MT1162-ARN14								MOUNT MT-1162/ARN-14 (GFP) (ATTACHING PARTS)	1	
-18	AN3-7A								BOLT	4	
	AN960D10L								WASHER	4	
	E60048								WASHER	4	
	AN365-1032A								NUT	4	
-19	AN3-7A								BOLT	12	
	AN960D10L								WASHER	12	
	E60048								WASHER	12	
	AN365-1032A								NUT	12	
-20	E60051-9								SHELF ASSY, Radio rack AN/ARN-14	1	
	E60034								SHELF, AN/ARN-14 radio rack	1	
-21	E60045-9								BRACE ASSY, AN/ARN-14 radio rack sta 424	1	
-22	R322-ARN18								RECEIVER, R-322/ARN-18 (GFP)	1	
-23	MT691-ARN18								MOUNT, MT-691/ARN-18 (GFP) (ATTACHING PARTS)	1	
-24	AN3-7A								BOLT	2	
	AN960D10L								WASHER	2	
	AN960D10								WASHER	2	
	AN365-1032A								NUT	2	
-25	AN3-7A								BOLT	2	
	AN960D10L								WASHER	2	
	E60048								WASHER	2	
	AN365-1032A								NUT	2	

Section II

T.O. 1B-26B-4

Group Assembly Parts List

FIGURE & INDEX NO.	PART NO.	1	2	3	4	5	6	7	DESCRIPTION	UNITS PER ASSY	USABLE ON CODE
172A-26	5511A								TRANSFORMER (GFP)..... (ATTACHING PARTS)	1	
-27	AN3-7A								BOLT.....	1	
	AN960D10L								WASHER.....	1	
	E60048								WASHER.....	1	
	AN365-1032A								NUT.....	1	
-28	AN3-7A								BOLT.....	3	
	AN960D10L								WASHER.....	3	
	AN960D10								WASHER.....	3	
	AN365-1032A								NUT.....	3	
-29	E60050-9								SHELF ASSY, Radio rack AN/ARN-18.....	1	
	E60035								SHELF, AN/ARN-18 radio rack.....	1	
-30	E60013-9								BRAÇE ASSY, Radio shelf sta 402.....	1	
									JUNCTION BOX ASSY, AN/ARN-14 radio aft.....	1	
									(ATTACHING PARTS)		
-31	AN515-10R7								SCREW.....	6	
-32	E60015								JUNCTION BOX, Radio aft.....	1	
-33	RC20BF511J								RESISTOR, Fixed composition 1000 ohms ± 10 percent 1/2 watt (Spec MIL-R-11)	1	
-34	RC30BF511J								RESISTOR, Fixed composition 510 ohms ± 10 percent (Spec MIL-R-11)	3	
-35	RC41BF470K								RESISTOR, Fixed composition 47 ohms ± 10 percent 2 watts..... (Spec MIL-R-11)	1	
-36	S17378								CAPACITOR, Fixed electrolytic 3750 microfarads 3 volts..... (SPRG)	1	
-37	S17377								CAPACITOR, Fixed electrolytic 1250 microfarads 3 volts..... (SPRG)	1	
-38	MS21919DG16								CLAMP.....	2	
-39	AN520-10R10								SCREW.....	2	
	AN960D10L								WASHER.....	2	
	AN365-1032A								NUT.....	2	
-40	MS21919DG22								CLAMP.....	2	
-41	AN520-10R10								SCREW.....	2	
	AN960D10L								WASHER.....	2	
	AN365-1032A								NUT.....	2	
-42	AN3433-2-2								BUS.....	2	
-43	AN3433-2-3								BUS.....	1	
-44	AN3436-2-2								TERMINAL BLOCK ASSY (ATTACHING PARTS)	3	
	AN515-4R6								SCREW.....	3	
	AN960D4L								WASHER.....	3	
	AN365-440A								NUT.....	3	
-45	AN3436-4-16								TERMINAL BLOCK ASSY (ATTACHING PARTS)	1	
	AN515-4R6								SCREW.....	3	
	AN960D4L								WASHER.....	3	
	AN365-440A								NUT.....	3	
-46	AN931-16-22								GROMMET.....	2	
-47	AN520-10R14								SCREW.....	2	
	AN960D10L								WASHER.....	2	
	AN935-10								WASHER.....	2	
	AN345-10								NUT.....	2	
	AN960-10L								WASHER.....	2	
	AN365-1032								NUT.....	2	
-48	E60014-9								COVER ASSY, AN/ARN-14 radio junction box aft.....	1	
	E60024								DECAL.....	1	
	H5000-051-102								LATCH (HWL).....	4	

ELECTRONICS

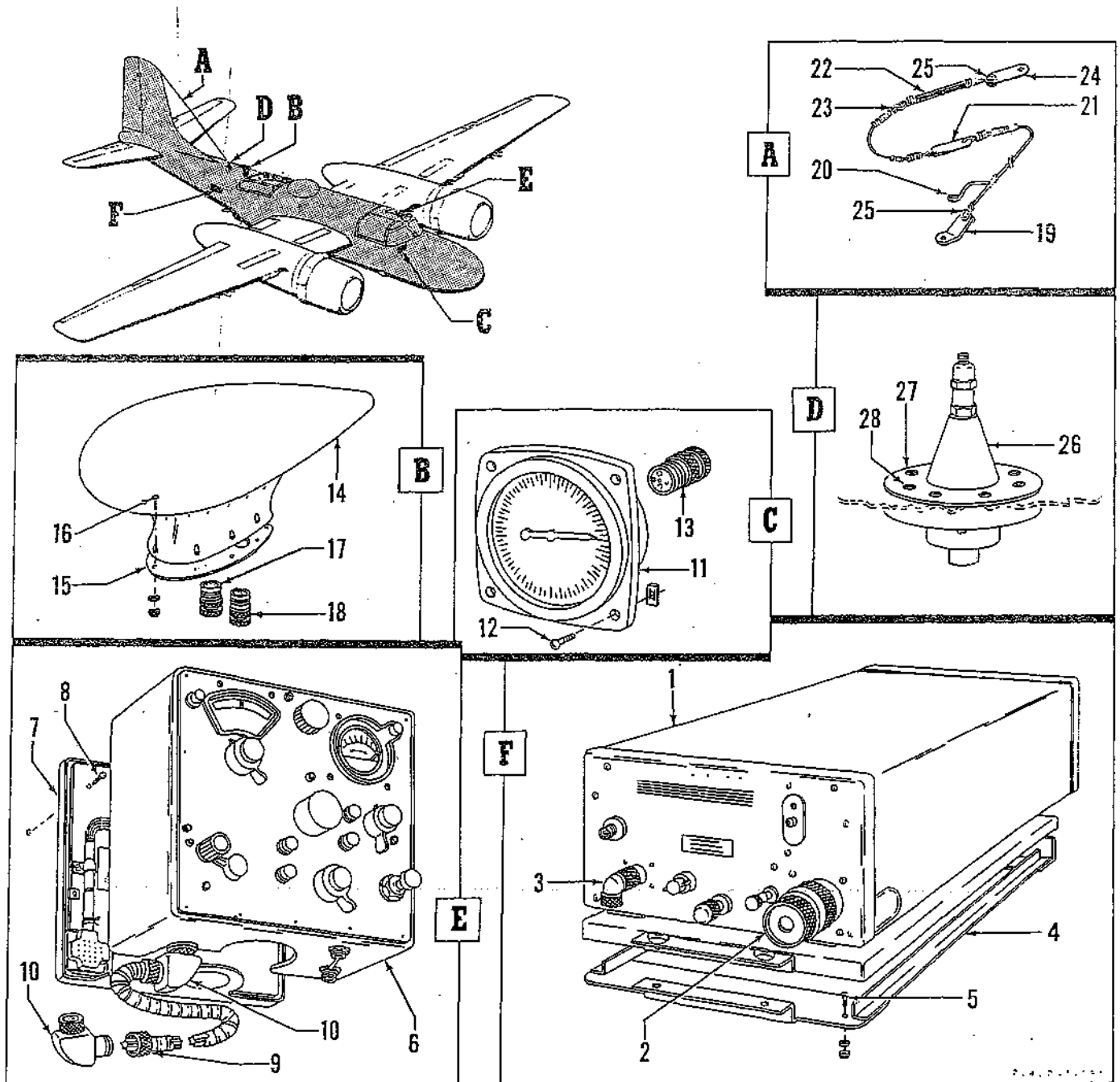


Figure 173. Radio Compass Installation, AN/ARN-7



FIGURE & INDEX NO.	PART NO.	1	2	3	4	5	6	7	DESCRIPTION	UNITS PER ASSY	USABLE ON CODE
173-									RADIO COMPASS INSTL, AN/ARN-7		
-1	R5A-ARN7								COMPASS, Radio JAN type R-5A/ARN-7 (GFP)	1	A
-2	AB10057B								CONNECTOR, Plug SIG type PL-122 (BXR)	1	A
-3	PL108								CONNECTOR	1	A
-4	FT213A								MOUNTING BASE, SIG type FT-213-A (GFP)	1	A
									(ATTACHING PARTS)		
-5	AN520-10-8								SCREW	6	A
	AN960-10								WASHER	6	A
	AN365-1032								NUT	6	A
-6	C4-ARN7								BOX, Receiver control JAN type C-4/ARN-7 (GFP)	1	A
-7	FT224A								MOUNTING BASE, SIG type FT-224-A (GFP)	1	A
									(ATTACHING PARTS)		
-8	AN520-10-8								SCREW	4	A
	AN960-10								WASHER	4	A
-9	MC124								SHAFT, Tuning SIG type MC-124 (GFP)	1	A
-10	MC136								COUPLING, SIG type MC-136 (GFP)	2	A
-11	181A								INDICATOR, (GFP)	1	A
									(ATTACHING PARTS)		
-12	AN515B6R16								SCREW	4	A
	A6939-632-375								NUT, Speed (TIN)	4	A
-13	AB9730-1								CONNECTOR, SIG type PL-118 (BXR)	1	A
	3209543								ANTENNA INSTL, Radio compass loop	1	A
-14	LP21LM								ANTENNA, Loop JAN type LP-21-LM (GFP)	1	A
-15	4139780								GASKET	1	A
-16	AN520-10-10								SCREW	8	A
	AN960-10								WASHER	8	A
	AN365-1032								NUT	8	A
-17	PL108								CONNECTOR	1	A
-18	PL112								CONNECTOR	1	A
	4275005								ANTENNA INSTL, Sense radio compass	1	A
-19	1143580								LINK, Antenna connector	1	A
-20	AN111-3								BUSHING	1	A
-21	IN88								INSULATOR	1	A
-22	H43D13505								TENSION UNIT	1	A
-23	AN100-3								THIMBLE	1	A
-24	1140515								LINK	1	A
-25	AN23-9								SCREW	2	A
	AN960-10L								WASHER	4	A
	AN320-3								NUT	2	A
	52SCB467								INSULATOR INSTL, Radio compass sense antenna	1	A
-26	AB27-A								INSULATOR ASSY, Radio compass sense antenna (GFP)	1	A
-27	52SCA468								DOUBLER, Antenna insulator	1	A
-28	AN526-632R11								SCREW	8	A
	AN960-6								WASHER	8	A
	AN365-1032								NUT	8	A
									A USAF 41-39100 thru 41-39402		
									41-39404 thru 41-39424		
									41-39426 thru 41-39466		
									41-39469 thru 41-39478		
									41-39480 thru 41-39524		
									41-39526 thru 41-39599		
									43-2252 thru 43-22533		
									43-22534 thru 43-22615		
									43-22617 thru 43-22713		
									43-22715 thru 43-22727		
									43-22729 thru 43-22751		
									44-34098 thru 44-34147		
									44-34149 thru 44-34211		
									44-34213 thru 44-34601		
									44-34603 thru 44-35228		
									44-35230 thru 44-35422		
									44-35424 thru 44-35427		
									44-35429 thru 44-35618		
									44-35620 thru 44-35732		
									44-35734 thru 44-36797		

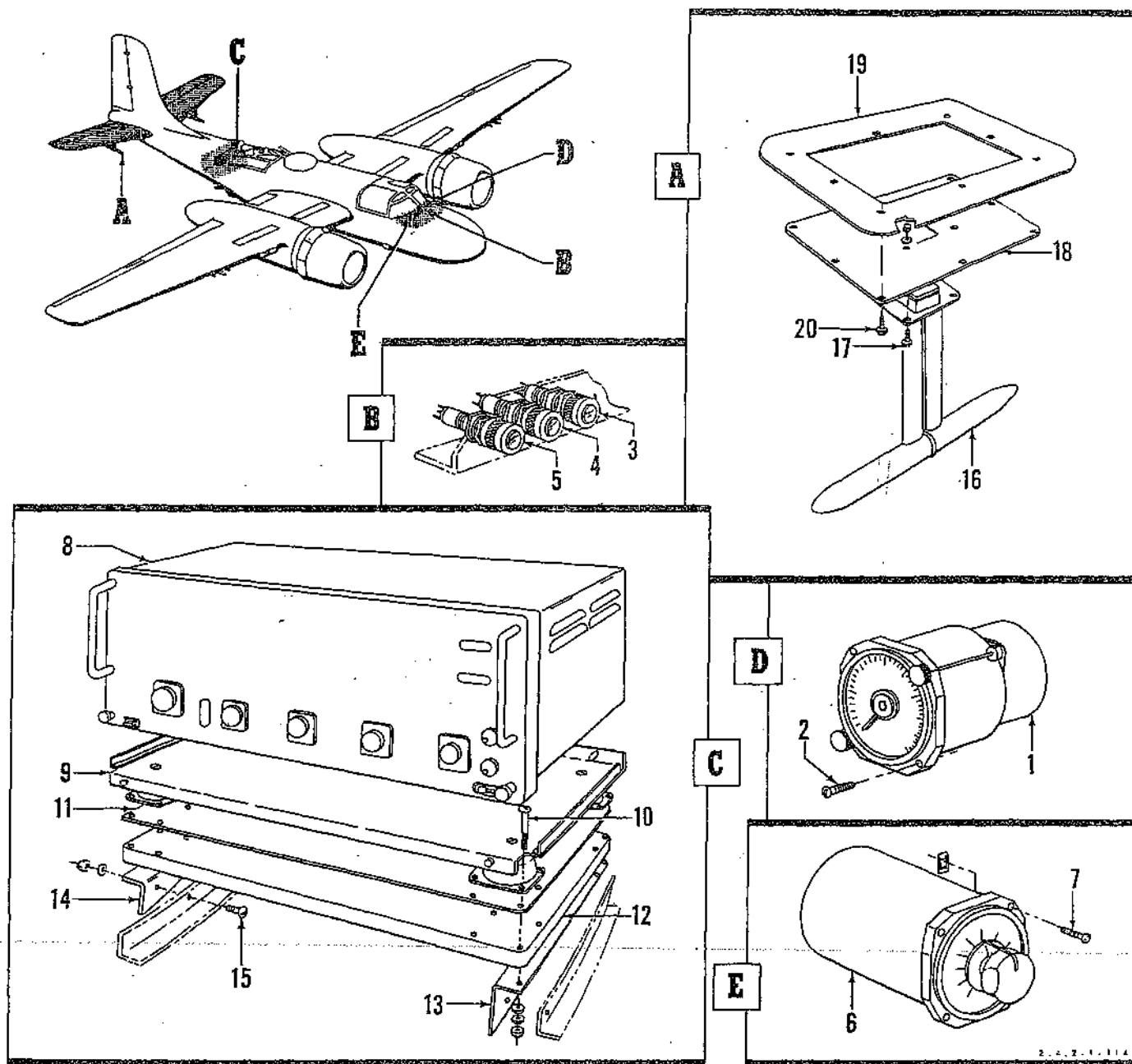


Figure 174. Radio System Installation, AN/APN-1

FIGURE & INDEX NO.	PART NO.	DESCRIPTION							UNITS PER ASSY	USABLE ON CODE
		1	2	3	4	5	6	7		
174-										
-1	ID14-APN1								1	
-2	ANS15B6-16								2	
-3	AN3157-3								1	
-4	AN3157-4								1	
-5	AN3157-2								1	
-6	SA1A-ARN1								1	
-7	ANS15B6R16 A6939-632-375								4 4	
	MC4754								1	
-8	RT7-APN1								1	
-9	MT14-ARN1								1	
-10	ANS15B6-16 AN970-3 AN960-10 AN365D1032								16 8 16 16	
-11	MC4754-8								1	
-12	MC4754-4								1	
-13	MC4754-2								1	
-14	MC4754-6								1	
-15	ANS20-10-7 AN960-10 AN365-1032								6 6 6	
	MC4704								2	
-16	AT4-ARN1								2	
-17	ANS26-832-7 AN960-8 AN365-832								4 4 4	
-18	MC4702								1	
-19	MC4703								1	
-20	ANS26-832-7								8	

ELECTRONICS

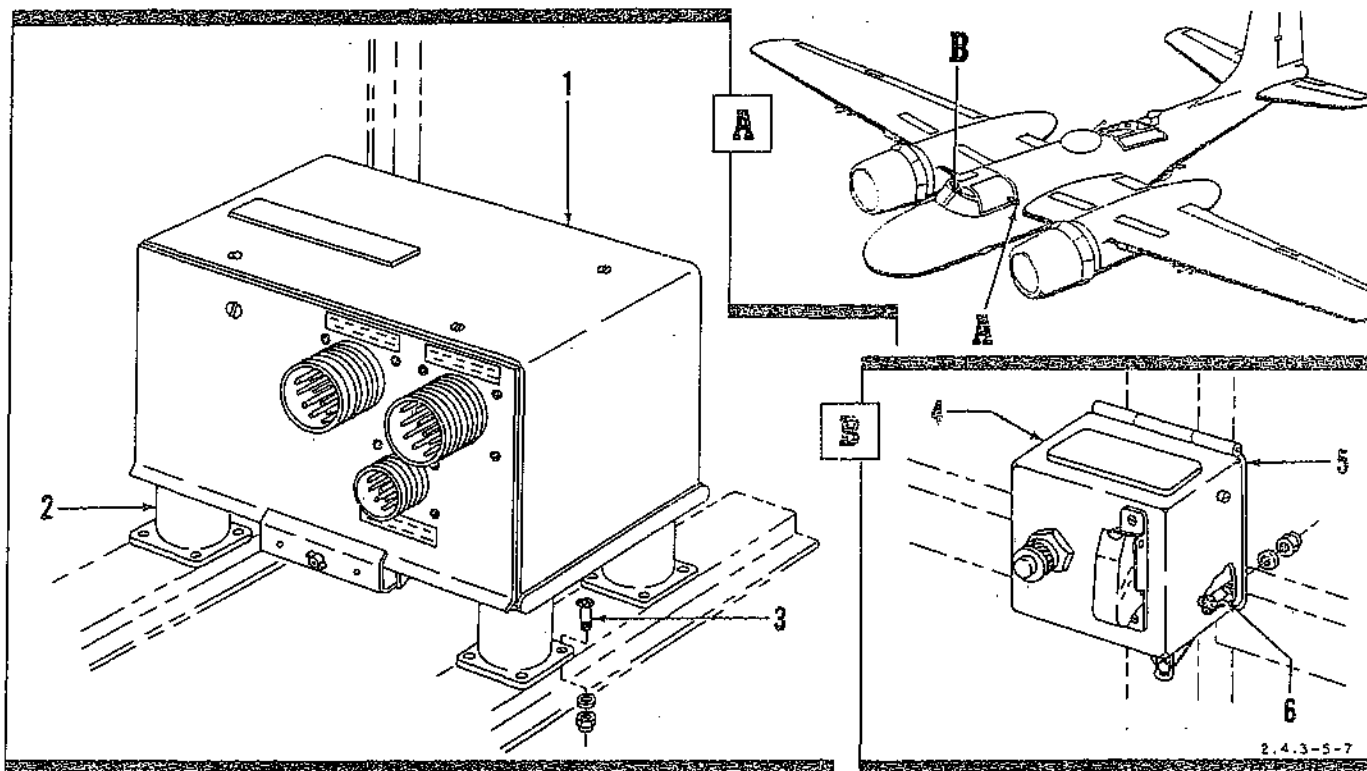


Figure 174A. Emergency Keyer Control Installation AN/ARA-26

FIGURE & INDEX NO.	PART NO.	1	2	3	4	5	6	7	DESCRIPTION	UNITS PER ASSY	USABLE ON CODE
174A-											
-1	KY65A-ARA26								KEYER, Emergency KY-65A/ARA-26 (GFP)	1	
-2	MT796-U								MOUNT, Keyer MT-796/U (GFP)	1	
									(ATTACHING PARTS)		
-3	AN515-8R8								SCREW	16	
	AN960-8L								WASHER	16	
	AN365-832								NUT	16	
									- - - * - - -		
-4	C789-ARA26								CONTROL, Emergency keyer C-789/ARA-26 (GFP)	1	
-5	FT292A								MOUNT, Emergency keyer control FT-292/A (GFP)	1	
									(ATTACHING PARTS)		
-6	AN509-10R12								SCREW	4	
	AN960-10								WASHER	4	
	AN365-1032								NUT	4	
									- - - * - - -		

ELECTRONICS

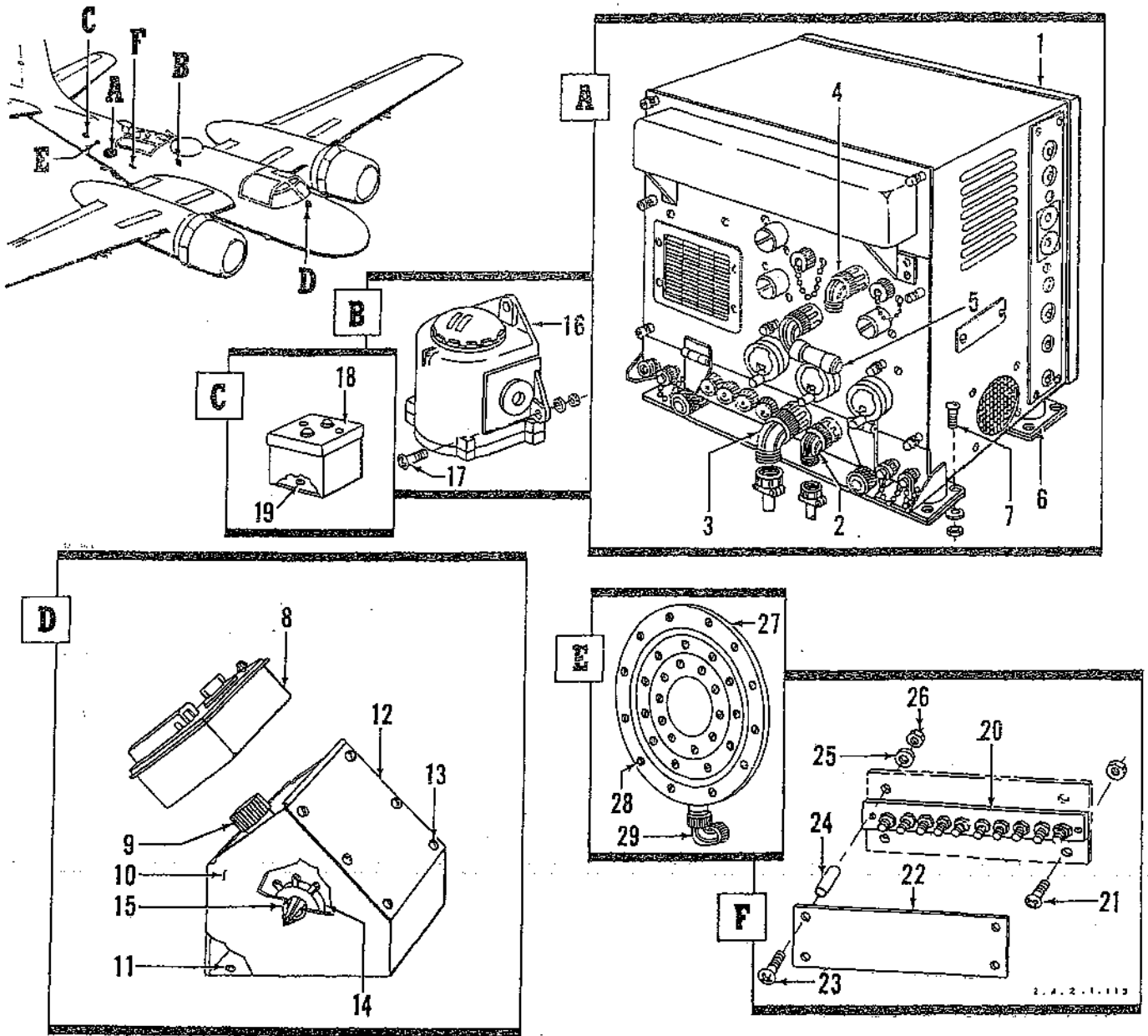


Figure 175. Radar System Installation, AN/APX-6

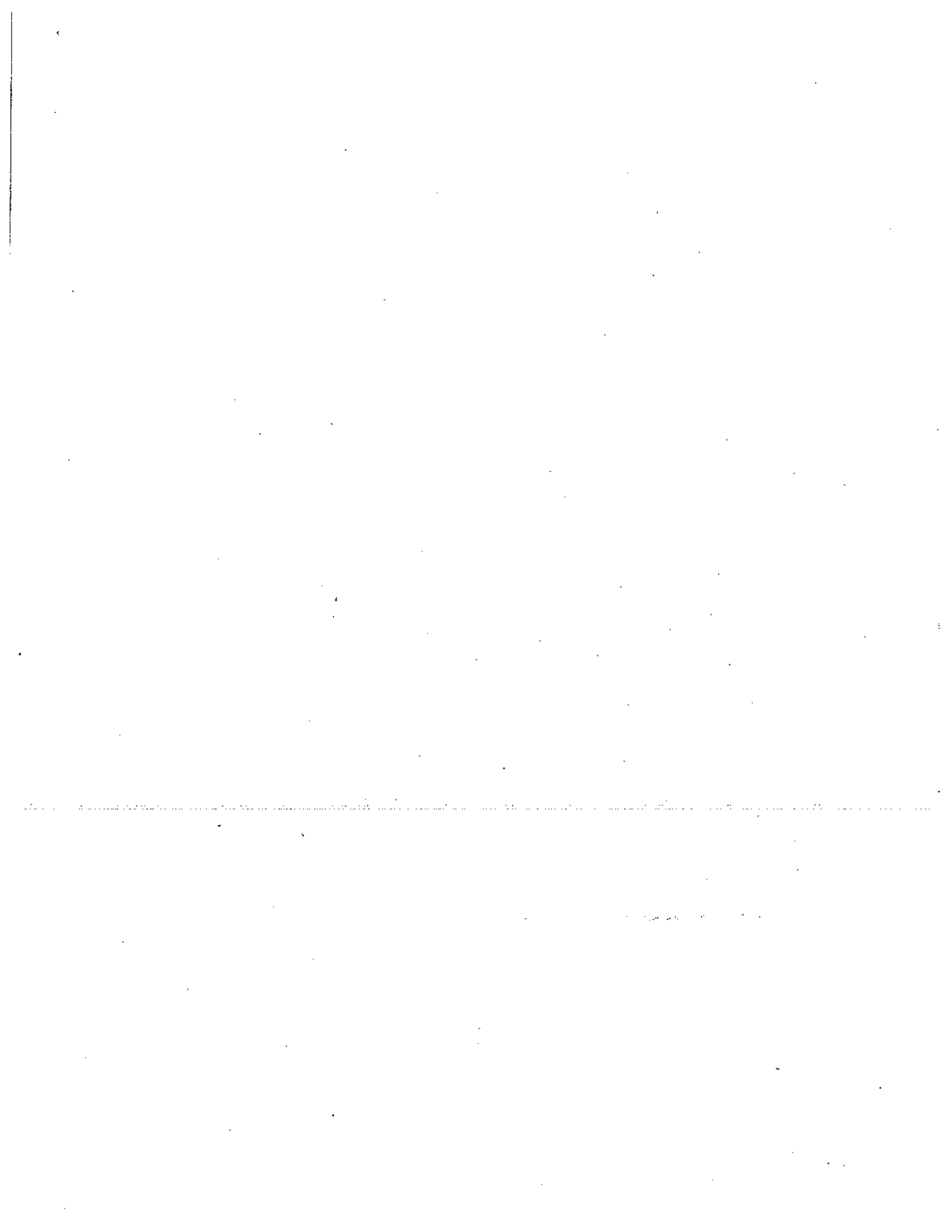


FIGURE & INDEX NO.	PART NO.	DESCRIPTION							UNITS PER ASSY	USABLE ON CODE
		1	2	3	4	5	6	7		
175-		RADAR SYSTEM INSTL, AN/APX-6								
-1	RT82-APX6	TRANSMITTER-RECEIVER, JAN type RT-82/APX-6 (GFP)							1	
-2	AN3108B-14S-5S	CONNECTOR							1	
	AN3057-6	ADAPTER							1	
-3	AN3108-18-1P	CONNECTOR							1	
	AN3057-10	ADAPTER							1	
-4	AN3108-8S-1P	CONNECTOR							1	
	AN3057-3	ADAPTER							1	
-5	UG59A-U	CONNECTOR, Plug JAN type UG-59A/U							1	
	UG212A-U	CONNECTOR, Adapter JAN type UG-212A/U							1	
-6	MT-362A	MOUNTING BASE, JAN type MT-362/A (GFP)							1	
		(ATTACHING PARTS)								
-7	AN515-8-16	SCREW							16	
	AN960D8L	WASHER							16	
	AN365-832	NUT							16	
		-----*								
-8	C629-APX6	CONTROL, Radar set JAN type C-629/APX-6 (GFP)							1	
-9	AN3106-20-27S	CONNECTOR							1	
	AN3057-12	ADAPTER							1	
-10	C301018	BRACKET, Radar set control (LAND-AIR)							1	
		(ATTACHING PARTS)								
-11	AN515-8R7	SCREW							6	
	AN960D8L	WASHER							6	
	AN365-832	NUT							6	
		-----*								
-12	C301018-1	COVER, Radar set control bracket (LAND-AIR)							1	
		(ATTACHING PARTS)								
-13	AN530-6-6	SCREW							6	
		-----*								
-14	RP112FE501KK	RESISTOR (Spec JAN-R-22)							1	
-15	AN3220-2	KNOB							1	
-16	SA3-A	SWITCH, Inertia JAN type SA-3/A (GFP)							1	
		(ATTACHING PARTS)								
-17	AN520-416R10	SCREW							3	
	AN960D416L	WASHER							3	
	AN365-428	NUT							3	
		-----*								
-18	BC727	BOX ASSY, Radio Indicator SIG type BC-727 (GFP)							1	
		(ATTACHING PARTS)								
-19	AN520-416R10	SCREW							2	
	AN960D416L	WASHER							2	
	AN365-428	NUT							2	
		-----*								
-20	NAS191-10	PANEL ASSY							1	
		(ATTACHING PARTS)								
-21	AN515-4R6	SCREW							3	
	AN365-440A	NUT							3	
		-----*								
-22	C201039-1	COVER, Terminal strip (LAND-AIR)							1	
		(ATTACHING PARTS)								
-23	AN526-1032R24	SCREW							4	
-24	NAS43DD3-72	SPACER							4	
-25	AN960D10L	WASHER							4	
-26	AN364-1032	NUT							4	
		-----*								
-27	AT234-APX	ANTENNA ASSY, JAN type AT-234/APX (GFP)							1	
		(ATTACHING PARTS)								
-28	AN510BR10-20	SCREW							12	
		-----*								
-29	4G59A-U	CONNECTOR, Plug JAN type UG-59A/U							1	
	4G212A-U	CONNECTOR, Adapter JAN type UG-212A/U							1	

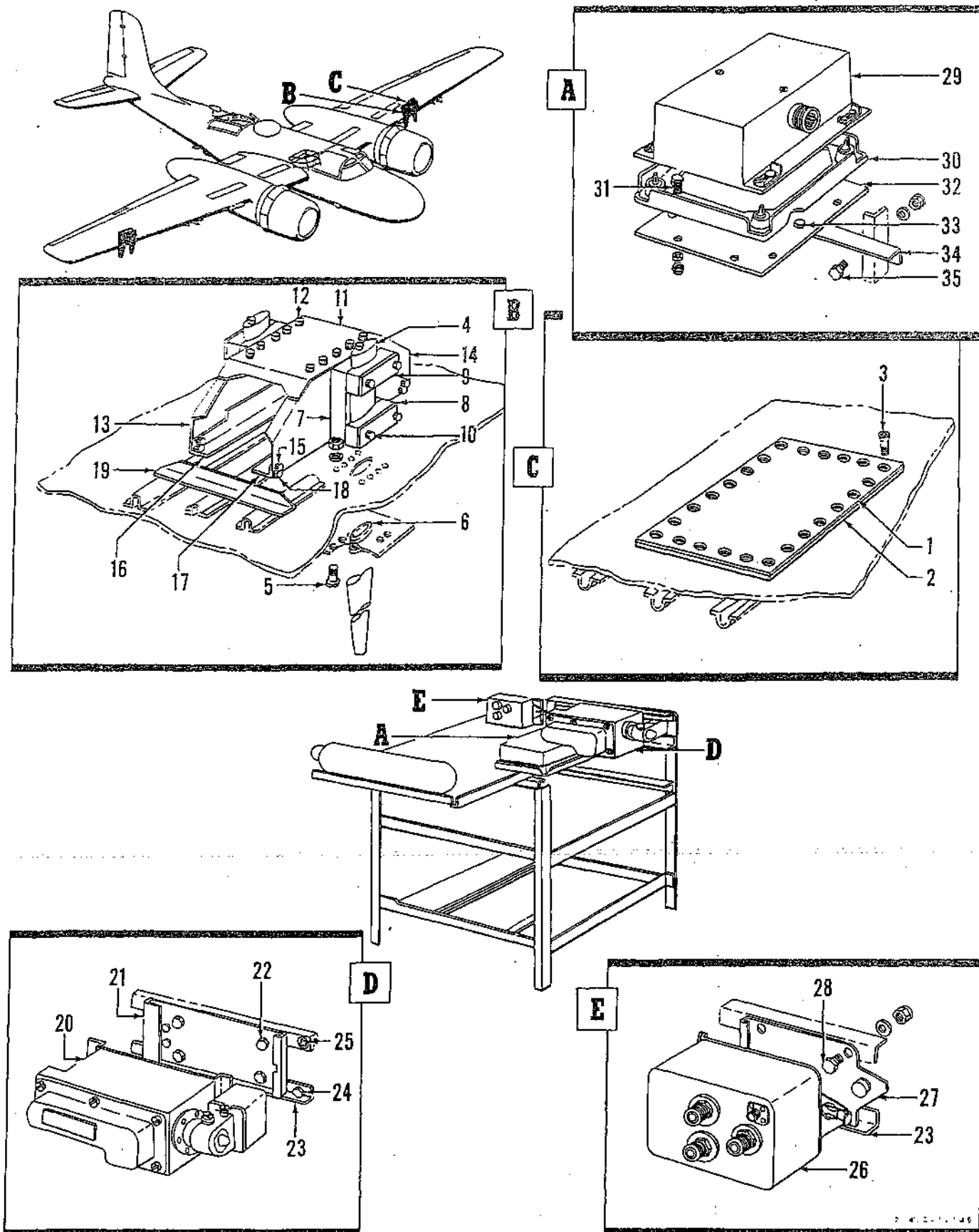


Figure 176. Radio Homing Antenna System Installation, AN/ARA-8

FIGURE & INDEX NO.	PART NO.	1	2	3	4	5	6	7	DESCRIPTION	UNITS PER ASSY	USABLE ON CODE
176-									RADIO HOMING ANTENNA SYSTEM INSTL, AN/ARA-8		
	52SCJ942L								ANTENNA INSTL, AS-148/ARA-8 LH	1	A
	52SCJ942R								ANTENNA INSTL, AS-148/ARA-8 RH	1	A
-1	52SCC944								COVER, Door outboard	1	A
-2	52SCC943								DQUEBLER, Access door (ATTACHING PARTS)	1	A
-3	AN507-1032R5								SCREW	27	A
-4	AS148-ARA8								ANTENNA ASSY, JAN type AS-148/ARA-8 (GFP) (ATTACHING PARTS)	2	A
-5	AN526-832-7								SCREW	8	A
	AN960-8								WASHER	8	A
	AN365-832								NUT	8	A
-6	S1SCC931								GROMMET	2	A
	S1SCD1547L								MOUNT ASSY, LH	1	A
	S1SCD1547R								MOUNT ASSY, RH	1	A
-7	S1SCC1518								BASE, Antenna mount	2	A
-8	S1SCC1517								CLAMP, Block	4	A
-9	S1SCB1540								STRAP, Antenna mount (ATTACHING PARTS)	4	A
-10	AN3-25A								BOLT	8	A
	AN960-10L								WASHER	8	A
	AN365-1032								NUT	8	A
-11	S1SCC1514								COVER, Antenna mount (ATTACHING PARTS)	1	A
-12	AN3-3A								BOLT	10	A
	AN960-10L								WASHER	10	A
-13	S1SCD1525L								SIDE, Antenna mount inboard LH	1	A
	S1SCD1525R								SIDE, Antenna mount inboard RH	1	A
-14	S1SCD1526L								SIDE, Antenna mount outboard LH	1	A
	S1SCD1526R								SIDE, Antenna mount outboard RH (ATTACHING PARTS)	1	A
-15	AN3-3A								BOLT	4	A
	AN960-10L								WASHER	4	A
	AN365-1032								NUT	4	A
-16	S1SCD1545L								EXTENSION, Antenna mount inboard side LH	1	A
	S1SCD1545R								EXTENSION, Antenna mount inboard side RH	1	A
-17	S1SCD1546L								EXTENSION, Antenna mount outboard side LH	1	A
	S1SCD1546R								EXTENSION, Antenna mount outboard side RH (ATTACHING PARTS)	1	A
-18	AN3-5A								BOLT	4	A
	AN960-10L								WASHER	4	A
	AN365-1032								NUT	4	A
-19	S1SCD1528								ANGLE, Antenna mount support	1	A
	S1SCC1521								DQUEBLER, Antenna AS-148/ARA-8	1	A
	S1SCD1002								HOMING ADAPTER INSTL, Final	1	A
	S1SCH1500-1								HOMING ADAPTER INSTL, AN/ARA-8	1	A
-20	MD34-ARA8								MODULATOR ASSY, JAN type MD-34/ARA-8 (GFP)	1	A
-21	MT282-ARA8								MOUNT, JAN type MT-282/ARA-8 (GFP) (ATTACHING PARTS)	1	A
-22	AN3-4A								BOLT	4	A
	AN960-10								WASHER	4	A
	AN365-1032								NUT	4	A
-23	S1SCC1503								ANGLE, Support RE-13/ARA-8 and MD-34/ARA-8 upper (ATTACHING PARTS)	1	A
-24	AN3-4A								BOLT	2	A
	AN960-10								WASHER	2	A
	AN365-1032								NUT	2	A
-25	AN507-1032R8								SCREW	2	A
-26	RE13-ARA8								RELAY ASSY, Antenna JAN type RE-13/ARA-8 (GFP)	1	A
-27	MT288-ARA8								MOUNT, Antenna relay JAN type MT-288/ARA-8 (GFP) (ATTACHING PARTS)	1	A
-28	AN3-4A								BOLT	3	A
	AN960-10								WASHER	3	A
	AN365-1032								NUT	3	A
-29	C301-ARA8A								CONTROL ASSY, Automatic volume JAN type C-301/ARA-8A (GFP)	1	A
	S1SCC1534								PLATE ASSY, Volume control mount	1	A
-30	FT229A								MOUNT ASSY, Volume control SIG type FT-229-A (GFP) (ATTACHING PARTS)	1	A
-31	AN3-4A								BOLT	8	A
	AN960-10								WASHER	8	A
	AN365-1032								NUT	8	A

Group Assembly Parts List

FIGURE & INDEX NO.	PART NO.	DESCRIPTION							UNITS PER ASSY	USABLE ON CODE
		1	2	3	4	5	6	7		
176-32	51SCB1535								1	A
-33	AN3-4A								2	A
	AN960-10								2	A
	AN365-1032								2	A
-34	51SCC1516								1	A
-35	AN3-4A								4	A
	AN960-10								4	A
	AN365-1032								4	A
		A USAF 44-34639, 44-34718, 44-34723								
		44-35361, 44-35380, 44-35382								
		44-35383, 44-35291, 44-35400								
		44-35402, 44-35407, 44-35411								
		44-35412, 44-35432, 44-35530								
		44-35540, 44-35631, 44-35635								
		44-35639, 44-35641, 44-35652								
		44-35680, 44-35703, 44-35753								
		44-35760, 44-35763, 44-35777								
		44-35784, 44-35790, 44-35835								
		44-35849, 44-35853, 44-35856								
		44-35857, 44-35860, 44-35861								
		44-35868, 44-35872, 44-35876								
		44-35877, 44-35880, thru								
		44-35882, 44-35887, 44-35892								
		44-35893, 44-35901, 44-35902								
		44-35908, 44-35919, 44-35926								
		44-35928, 44-35930, 44-35932								
		44-35934								

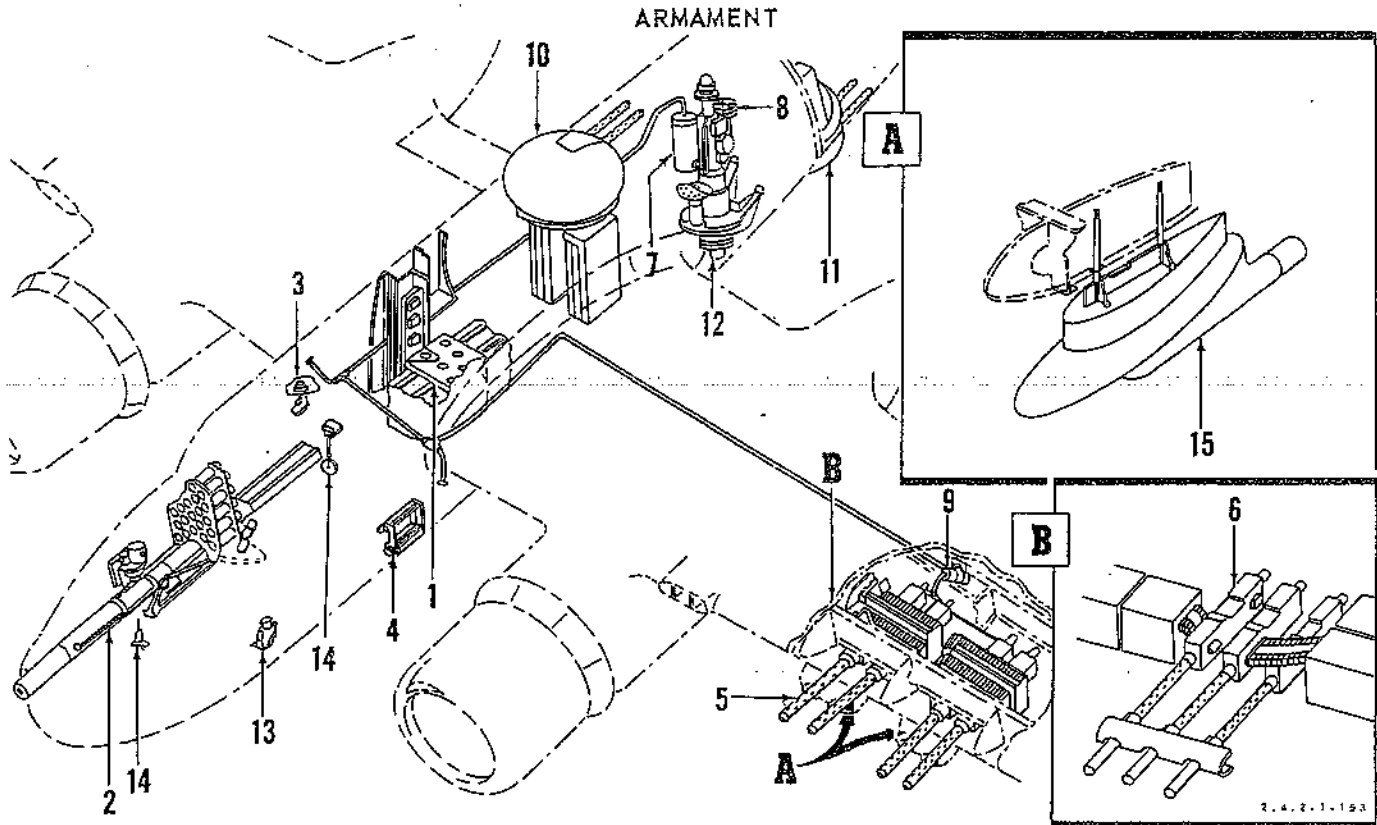


Figure 177. Armament Installation

FIGURE & INDEX NO.	PART NO.	1 2 3 4 5 6 7	DESCRIPTION	UNITS PER ASSY	USABLE ON CODE
177-	5157260		ARMAMENT INSTL	1	
-1	5205722		EQUIPMENT INSTL, Bombing (see figure 178)	1	A
	5157262		EQUIPMENT INSTL, Bombing (see figure 178)	1	A
-2	5157285		CANNON INSTL, Fixed (see figure 179)	1	B
	5206270		PROVISION INSTL, 75 mm cannon (see figure 179)	1	B
-3	5153298		PYROTECHNICS INSTL (See figure 180)	1	C
-4	5209741		FIXTURE INSTL, Bomb bay boresighting (see figure 180)	1	C
-5	5199529		FIXED GUNS INSTL, External wing (see figure 181)	1	D
-6	5209777		FIXED GUNS INSTL, Internal wing (see figure 182)	1	E
-7	5209469		GUN CHARGING EQUIPMENT INSTL, Fuselage pneumatic (see figure 183)	1	F
-8	52SCK920		PNEUMATIC CHARGER EQUIPMENT INSTL, External wing gun (see figure 184)	1	G
-9	52SCJ909L		PNEUMATIC CHARGER INSTL, External wing gun LH (see figure 185)	1	G
	52SCJ909R		PNEUMATIC CHARGER INSTL, External wing gun RH (see figure 185)	1	G
-10	5153300		TURRET INSTL, Upper (see figure 186)	1	
-11	5153307		TURRET INSTL, Lower (see figure 186)	1	
-12	5153312		STATION INSTL, Sighting (see figure 187)	1	A
-13	5204965		SIGHT INSTL, Pilots gun and bomb type N-9 (GFP) (see figure 188)	1	A
-14	5203017		AUXILIARY SIGHT INSTL, Ring and bead (see figure 188)	1	A
-15	5157284		CHEMICAL EQUIPMENT INSTL	1	
	5096431		TANK ASSY, Chemical (GFP)	AR	
		A USAF	44-34639, 44-34718, 44-34723, 44-35361, 44-35380, 44-35382, 44-35383, 44-35391, 44-35400, 44-35402, 44-35407, 44-35411, 44-35412, 44-35432, 44-35530, 44-35540, 44-35631, 44-35635, 44-35639, 44-35641, 44-35652, 44-35680, 44-35703, 44-35753, 44-35760, 44-35763, 44-35777, 44-35784, 44-35790, 44-35835, 44-35849, 44-35853, 44-35856, 44-35857, 44-35860, 44-35861, 44-35868, 44-35872, 44-35876, 44-35877, 44-35880 thru 44-35882, 44-35887, 44-35892, 44-35893, 44-35901, 44-35902, 44-35908, 44-35919, 44-35926, 44-35928, 44-35930, 44-35932, 44-35934		
		B USAF	41-39100 thru 41-399119, 43-22252 thru 43-22266		
			Subsequent B-26B airplanes are covered by provisions only		
		C USAF	43-22494, 43-22601 thru 43-22751, 44-43098 thru 44-35996		
		D USAF	41-39100 thru 41-39599, 43-22252 thru 43-22751, 44-34098 thru 44-34219, 44-35198 thru 44-35937		
		E USAF	44-34210 thru 44-35197, 44-35938 thru 44-35996		
		F USAF	43-34128 thru 44-35197, 44-35938 thru 44-35996		
		G USAF	44-34718, 44-34723, 44-35361, 44-35380, 44-35382, 44-35383, 44-35391, 44-34411, 44-35412, 44-35530, 44-35631, 44-35641, 44-35703, 44-35753, 44-35763, 44-35777, 44-35784, 44-35790, 44-35835, 44-35849, 44-35353, 44-35856, 44-35857, 44-35850, 44-35867, 44-35868, 44-35872, 44-35876, 44, 35877, 44-35880, 44-35919, 44-35926, 44-35928, 44-35930, 44-35932, 44-35934		

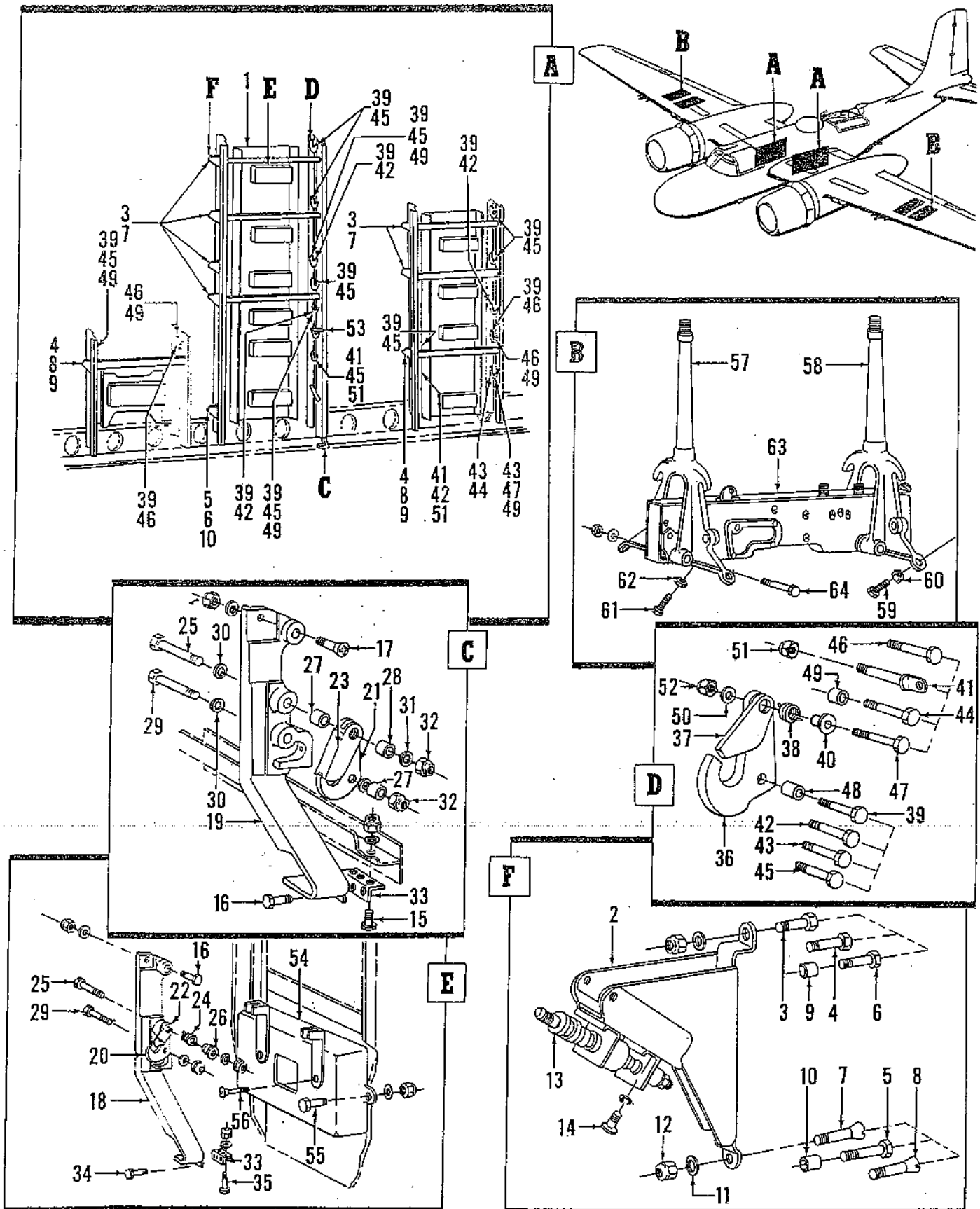


Figure 178. Bombing Equipment Installation

FIGURE & INDEX NO.	PART NO.	DESCRIPTION							UNITS PER ASSY	USABLE ON CODE
		1	2	3	4	5	6	7		
178-	5157262	EQUIPMENT INSTL, Bombing (see figure 177)							Ref	A
	5205722	EQUIPMENT INSTL, Bombing (see figure 177)							Ref	B
-1	5204984	RACK INSTL, Demolition bomb (see figure 190)							1	
	5122275	BOMB HOIST INSTL (See figure 197)							1	
	5150073	UNIT INSTL, Bomb rack fusing							1	
-2	4155720	SUPPORT ASSY, Bomb rack selective fusing unit (ATTACHING PARTS)							18	
-3	AN3-5A	BOLT							1	
-4	AN3-10A	BOLT							1	
-5	AN3-15A	BOLT							1	
-6	AN3-17A	BOLT							1	
-7	AN507-1032-10	SCREW							1	
-8	AN507-1032-14	SCREW							1	
-9	138275-6-18	SPACER							1	
-10	138275-6-56	SPACER							1	
-11	AN960D10	WASHER							2	
-12	AN365-1032	NUT							2	
-13	43B9887	CONTROL, Bomb arming type AN-A-2 (GFP) (ATTACHING PARTS)							18	
-14	AN501A10-8	SCREW							4	
	AN935-10L	WASHER							4	
	5128483	RAIL INSTL, Removable bomb							1	A
	5205755	RAIL INSTL, Removable bomb							1	B
	5128326	RAIL ASSY, Removable bomb LH							1	A
	5128326-1	RAIL ASSY, Removable bomb RH							1	A
	5205756	RAIL ASSY, Removable bomb LH							1	B
	5205756-1	RAIL ASSY, Removable bomb RH (ATTACHING PARTS)							1	B
-15	AN4-6A	BOLT							3	
	AN960D416	WASHER							3	
	AN365-428	NUT							3	
-16	AN4-7A	BOLT							1	
	AN960D416	WASHER							1	
	AN365-428	NUT							1	
-17	1029421-416-12	SCREW, Flathead 100° recessed							1	
	AN960D416	WASHER							1	
	AN365-428	NUT							1	
-18	5128326-2	RAIL, LH							1	A
	5128326-3	RAIL, RH							1	A
-19	5205756-2	RAIL, LH							1	B
	5205756-3	RAIL, RH							1	B
-20	1126927	HOOK ASSY, Bomb rack carrying LH (used on 5128326-1)							1	A
	1126927-1	HOOK ASSY, Bomb rack carrying RH (used on 5128326)							1	A
-21	43A12153	HOOK, Bomb rack carrying							1	B
-22	33A6182	LATCH ASSY, Bomb rack carrying hook LH (used on 5128326-1)							1	A
	33A6182-1	LATCH ASSY, Bomb rack carrying hook RH (used on 5128326)							1	A
-23	43A10571	LATCH ASSY, Bomb rack carrying hook							1	B
-24	33A6186	SPRING, Bomb rack carrying hook latch							1	A
	33A6186-1	SPRING, Bomb rack carrying hook latch (ATTACHING PARTS)							1	A
-25	AN6-13A	BOLT							1	
-26	1126928	SPACER ASSY, Bomb rack hook latch							1	A
-27	1205670	SPACER, Bomb rack hook latch							2	B
-28	1205602	SPACER, Bomb rack hook latch outer							1	B
-29	AN6-11A	BOLT							1	
-30	AN960-616	WASHER							2	
-31	AN960D616	WASHER							2	
-32	AN365-624	NUT							2	
-33	1150923	CLIP, Removable bomb rail lower (ATTACHING PARTS)							1	
-34	AN4-6A	BOLT							2	
	AN960D416	WASHER							2	
	AN365-428	NUT							2	
-35	AN4-7A	BOLT							1	
	AN960D416	WASHER							1	
	AN365-428	NUT							1	
-36	1126927	HOOK ASSY, Bomb rack carrying LH							23	A
	1126927-1	HOOK ASSY, Bomb rack carrying RH							23	A
	43A12153	HOOK, Bomb rack carrying							46	B
-37	33A6182	LATCH ASSY, Bomb rack carrying hook LH							23	A
	33A6182-1	LATCH ASSY, Bomb rack carrying hook RH							23	A
	43A10571	LATCH ASSY, Bomb rack carrying hook							46	B
-38	33A6186	SPRING, Bomb rack carrying hook latch LH							23	A
	33A6186-1	SPRING, Bomb rack carrying hook latch RH							23	A
-39	AN6-13A	BOLT							AR	
-40	1126928	SPACER ASSY, Bomb rack hook latch							46	A
-41	2206796	BOLT, Fragmentation bomb rack tie down eye							2	
-42	AN6-10A	BOLT							16	A

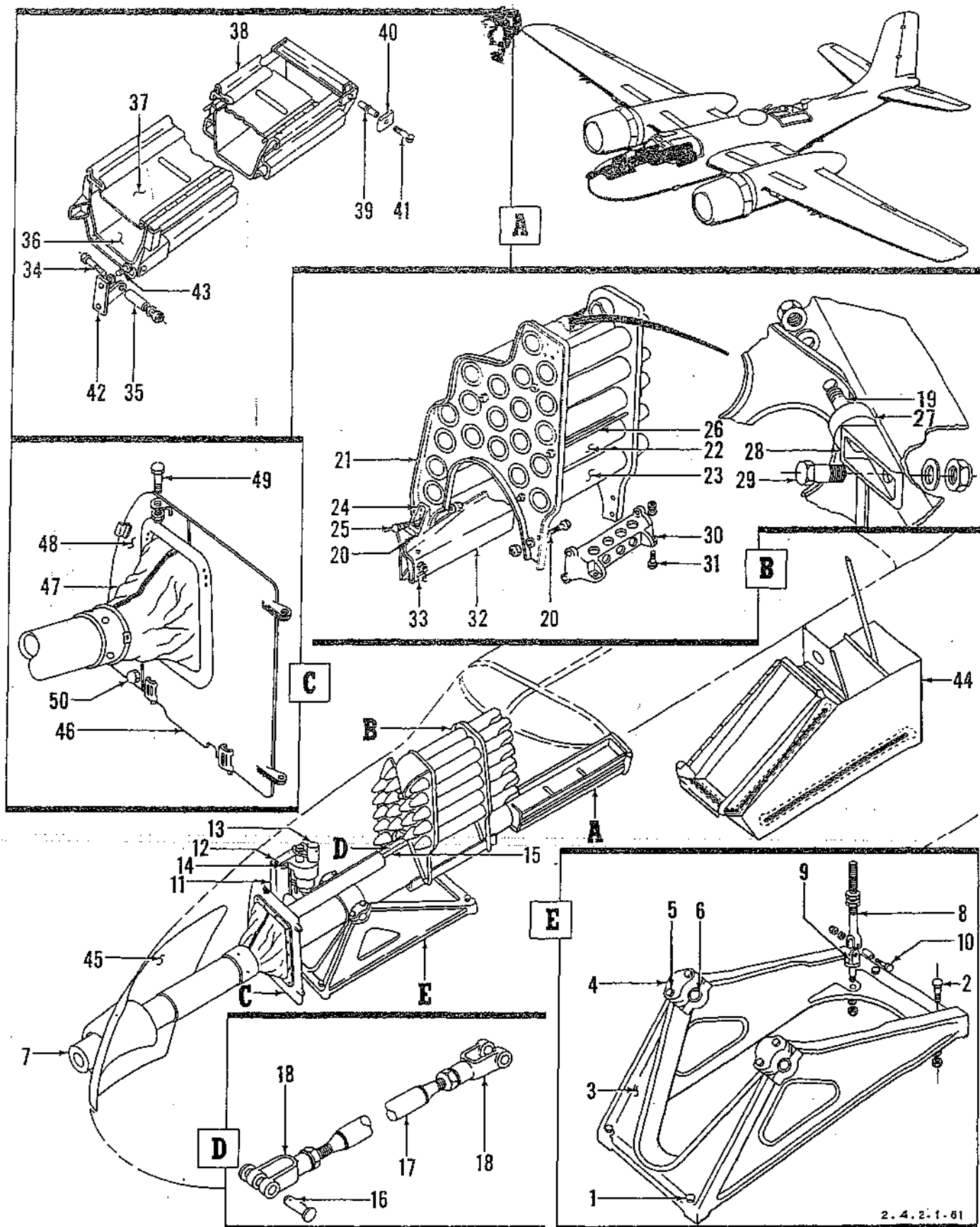


Figure 179. Fixed Cannon and Provisions Installation

Section II

T.O. 1B-26B-4

Group Assembly Parts List

FIGURE & INDEX NO.	PART NO.	1	2	3	4	5	6	7	DESCRIPTION	UNITS PER ASSY	USABLE ON CODE
179-	5157285	FIXED CANNON AND PROVISIONS INSTALLATION								Ref	A
	5206270	CANNON INSTL, Fixed (see figure 177)								Ref	B
	5206412	PROVISION INSTL, 75 mm cannon (see figure 177)								1	C
	5157289	KIT ASSY INSTL, 75 mm								1	A,C
-1	AN8-23A	MOUNT ASSY, Fixed cannon								2	A,C
	AN960-816	(ATTACHING PARTS)									
	AN365-428	BOLT								2	A,C
-2	AN8-23A	WASHER								2	A,C
	AN960-816	NUT								2	A,C
	AN365-428	BOLT								2	A,C
		WASHER								2	A,C
		NUT								2	A,C
-3	5157289-2	MOUNT, Fixed cannon								1	A,C
-4	5157289-4	CAP, Fixed cannon								2	A,C
		(ATTACHING PARTS)									
-5	AN9-37A	BOLT								2	A,C
	AN960D916	WASHER								2	A,C
	AN365-820	NUT								2	A,C
-6	2192767	BUSHING, Fixed cannon mount								2	A,C
-7	18-10-2	CANNON, Airplane 75 mm T13E1 (GFP)								1	A
-8	2192037	FORK, Fixed cannon vertical adjusting								1	A,C
	AN316-7R	NUT								2	A
-9	AN48-13	BOLT								1	A,C
	AN960-816	WASHER								1	A,C
	AN310-B	NUT								1	A,C
-10	AN5-10A	BOLT								1	A,C
	1026614-5-021	SPACER, Outside diameter bearing								1	A,C
	AN960-516	WASHER								1	A,C
	AN365-524	NUT								1	A,C
	AN310-8	NUT								1	A,C
	5195401	SUPPORT INSTL, Fixed cannon firing mechanism actuator								1	A,B
-11	5195401-4	SUPPORT ASSY, Fixed cannon firing mechanism actuator								1	A,B
		(ATTACHING PARTS)									
-12	AN515-8-10	SCREW								4	A,B
	AN960D8	WASHER								4	A,B
	AN365-832	NUT								4	A,B
-13	D65854	ACTUATOR MECHANISM, Firing (GFP)								1	A,C
		(ATTACHING PARTS)									
-14	AN5-7A	BOLT								4	A,C
	AN960-516	WASHER								4	A,C
-15	2205611	ROD ASSY, 75 mm cannon actuator								1	A,C
		(ATTACHING PARTS)									
-16	AN394-19	PIN								2	A,C
	AN960-416	WASHER								2	A,C
-17	2205611-4	ROD ASSY, 75 mm cannon actuator								1	A,C
-18	AN486-1	CLEVIS								2	A,C
	AN316-4R	NUT								2	A,C
	5195443	RACK INSTL, Fixed cannon ammunition stowage								1	A,C
	5195415	RACK ASSY, Fixed cannon ammunition stowage								1	A,C
		(ATTACHING PARTS)									
-19	AN4-11A	BOLT								1	A,C
	AN960D416	WASHER								1	A,C
	AN365-428	NUT								1	A,C
-20	AN4-7A	BOLT								5	A,C
	AN960D416	WASHER								5	A,C
	AN365-428	NUT								5	A,C
-21	5194649	PLATE, Fixed cannon ammunition stowage								2	A,C
-22	4207324	TUBE ASSY, Fixed cannon ammunition stowage short								19	A,C
-23	4207321	TUBE ASSY, Fixed cannon ammunition stowage long								1	A,C
-24	2159059	SUPPORT, Fixed cannon ammunition stowage outboard								2	A,C
-25	AN3-5A	BOLT								4	A,C
	AN960D10	WASHER								4	A,C
	AN365-1032	NUT								4	A,C
-26	1194827	ROD, Fixed cannon ammunition stowage tie								11	A,C
	AN960D416	WASHER								22	A,C
	AN365-428	NUT								22	A,C
-27	2033901-16D2	BAR, 17 ST aluminum alloy								1	A,C
	66-011										
-28	2195058	SUPPORT, Fixed cannon ammunition stowage upper								1	A,C
		(ATTACHING PARTS)									
-29	AN4-6A	BOLT								2	A,C
	AN960D416	WASHER								2	A,C
	AN365-428	NUT								2	A,C
-30	5195404	SUPPORT, Fixed cannon ammunition stowage inboard								1	A,C
		(ATTACHING PARTS)									
-31	AN4-10A	BOLT								2	A,C
	AN960D416	WASHER								2	A,C
	AN365-428	NUT								2	A,C

FIGURE & INDEX NO.	PART NO.	DESCRIPTION							UNITS PER ASSY	USABLE ON CODE
		1	2	3	4	5	6	7		
179-32	5195419								1	A,C
-33	AN3-5A								4	A,C
	AN960D10								4	A,C
	AN365-1032								4	A,C
	5157286								1	A,C
-34	AN4-7A								2	A
-35	1026614G04-015								2	A
	AN960-416								2	A
	AN365-428								2	A
-36	5157286-22								1	A,C
-37	5157286-30								1	A,C
-38	5157286-28								1	A,C
-39	1193999								2	A,C
-40	1193994								2	A,C
-41	AN23-22								1	A,C
	AN960C10L								1	A,C
	AN960-516								1	A,C
	AN310-3								1	A,C
-42	2193779								2	A,C
-43	AN4-4A								2	A,C
	AN960-416								2	A,C
-44	5195502-48								1	A,C
-45	5202574								1	C
-46	4203312								1	C
-47	5204149								1	C
-48	2203394								1	C
-49	AN8-10A								1	C
	AN960-816								1	C
	AN365-820								1	C
-50	AN6-12A								1	C
	AN960-616								1	C
	AN365-624								1	C
<p>Installation of the 75 mm cannon was made on B-26 airplane numbers USAF 41-39100 thru USAF 41-39119 and USAF 43-22252 thru USAF 43-22266 at time of delivery as noted by usage code A.</p> <p>All subsequent B-26 airplanes are covered by a provisions installation (usage code B) and a kit assembly (usage code C).</p> <p>The component parts of the provisions and kit assembly are equivalent to the cannon installation except as noted by coding.</p>										

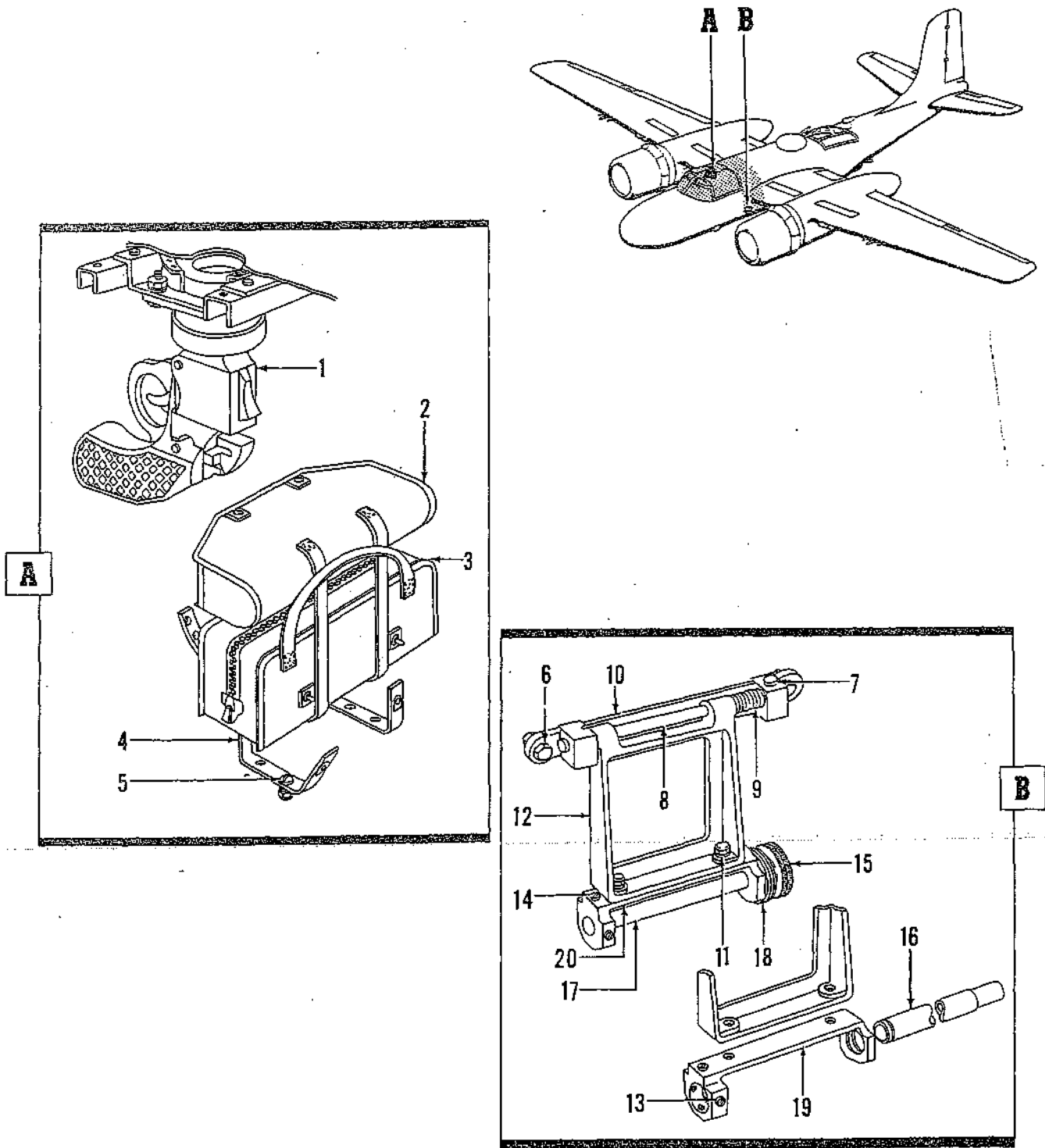


Figure 180. Pyrotechnics and Bomb Bay Boresighting Fixture Installation

FIGURE & INDEX NO.	PART NO.	1	2	3	4	5	6	7	DESCRIPTION	UNITS PER ASSY	USABLE ON CODE	
180-	5153298	PYROTECHNICS AND BOMB BAY BORESIGHTING FIXTURE INSTL										
		PYROTECHNICS INSTL (see figure 177)							Ref			
-1		PISTOL, Pyrotechnic type AN-MS (GFP)							1			
-2	43G7044	HOLDER ASSY, Pyrotechnic pistol (GFP)							1			
-3	42G11967	CONTAINER ASSY, Signal flare (GFP)							1			
-4	2195126	STRAP ASSY, Flare container retaining							2			
		(ATTACHING PARTS)										
-5	AN526-1032-8	SCREW							2			
	AN960D10	WASHER							2			
	AN365-1032	NUT							2			
	5209741	FIXTURE INSTL, Bomb bay boresighting (see figure 177)							Ref		A, B	
	3209798	FIXTURE ASSY, Bomb bay boresighting							2		A	
	3277849	FIXTURE ASSY, Bomb bay boresighting							2		E	
		(ATTACHING PARTS)										
-6	AN3-5A	BOLT							2		A, E	
	AN960-10	WASHER							2		A, E	
	AN365-1032	NUT							2		A, B	
		PIN							1		A, B	
-7	AN393-27	SHAFT, Bomb bay boresighting fixture							1		A, B	
-8	2209754	SPRING, Bomb bay boresighting fixture							1		A, B	
-9	2209757	BASE, Bomb bay boresighting fixture							1		A, B	
-10	4209756	BOLT							2		A, B	
-11	AN3-7A	WASHER							2		A, B	
	AN960-10	NUT							2		A, B	
	AN365-1032	FIXTURE, Bomb bay boresighting							1		A, B	
-12	4209755	SCREW							4		A	
-13	AN565B10-4	SCREW							4		E	
-14	AN565B10-5	SCREW							1		B	
-15	SP5097	COUPLING (BEH)							1		B	
-16	2209753	TUBE, Bomb bay boresighting fixture							1		A	
	2276163	SHAFT ASSY, Bomb bay boresighting fixture							1		B	
-17	2276164	SHAFT, Bomb bay boresighting fixture							1		B	
-18	SP5096	FLANGE (BEH)							1		B	
-19	4209752	SUPPORT, Bomb bay boresighting fixture tube							1		A	
-20	427867	SUPPORT, Bomb bay boresighting fixture tube							1		B	
		A USAF 43-22494										
		43-22601 thru 43-22751										
		43-34098 thru 44-34332										
		44-35198 thru 44-35557										
		B USAF 44-34333 thru 44-35197										
		44-35558 thru 44-35996										

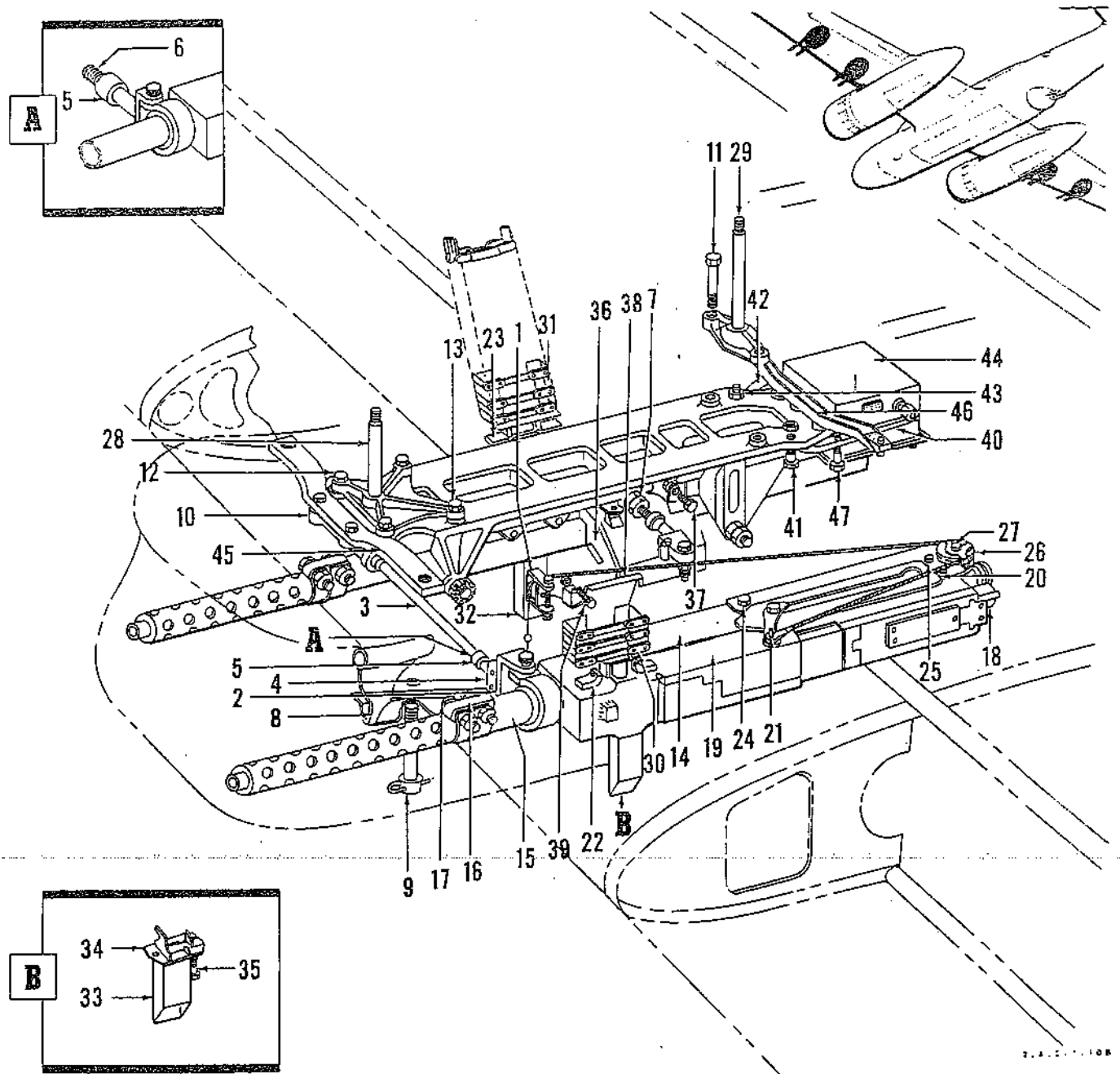


Figure 181. External Wing Fixed Guns Installation

FIGURE & INDEX NO.	PART NO.	1 2 3 4 5 6 7	DESCRIPTION	UNITS PER ASSY	USABLE ON CODE
181-	5199529		FIXED GUNS INSTL, External wing (see figure 177)	Ref	A,B
-1	4206557		BRACKET ASSY, Manual wing gun charging pulley outboard LH	2	A,B
	4206557-1		(RH only) (see figure 189)		
	4143813		BRACKET ASSY, Manual wing gun charging pulley outboard RH	2	A,B
	4143813-1		(LH only) (see figure 189)		
			BRACKET ASSY, Manual wing gun charging pulley inboard LH	2	A,B
			(see figure 189)		
			BRACKET ASSY, Manual wing gun charging pulley inboard RH	2	A,B
			(see figure 189)		
-2	2192638		BRACKET ASSY, Fixed gun trunnion (see figure 189)	8	A
-3	266809		POST, Gun mount trunnion	8	A
	1205940		WASHER	8	A
	44A4678		WASHER	16	A
	AN320-4		NUT	8	A
-4	44B11182		BRACKET ASSY, Gun trunnion type A-1A (GFP)	8	B
-5	2209143		ADAPTER, Trunnion bracket	8	B
-6	NAS62-37		BOLT (formerly AN12-37C)	8	B
	AN960-1216		WASHER	8	B
	AN310-12		NUT	8	B
-7	2192665		POST ASSY, Fixed gun mounting (see figure 189)	8	A
	1205941		WASHER	16	A
	42B14302		POST ASSY, Gun mounting type A5 (GFP)	8	B
-8	5202898		FAIRING ASSY, Fixed wing gun LH (see figure 189)	2	A,B
	5202898-1		FAIRING ASSY, Fixed wing gun RH (see figure 189)	2	A,B
			(ATTACHING PARTS)		
-9	2208252		BOLT	16	A,B
	NAS143-8C		WASHER	16	A,B
	10007595062-116		PIN	16	A,B
			-----*		
-10	5143117		MOUNT, Wing fixed gun LH	2	A,B
	5143117-1		MOUNT, Wing fixed gun RH	2	A,B
			(ATTACHING PARTS)		
-11	AN5-12A		BOLT	8	A,B
	AN960-516L		WASHER	8	A,B
	AN365-524		NUT	8	A,B
-12	AN5-14A		BOLT	8	A,B
	AN960-516L		WASHER	8	A,B
	AN365-524		NUT	8	A,B
-13	AN5-15A		BOLT	8	A,B
	AN960-516L		WASHER	8	A,B
	AN365-524		NUT	8	A,B
			-----*		
-14	H39G5332		MACHINE GUN, Caliber .50 type M2 (GFP)	8	A,B
	4206363-8		TUBE ASSY, Caliber .50 wing gun air seal	4	A,B
	4206363-10		TUBE ASSY, Caliber .50 wing gun air seal	4	A,B
-15	4206363-2		TUBE, Caliber .50 wing gun air seal (used on 4206363-8)	1	A,B
	4206363-4		TUBE, Caliber .50 wing gun air seal (used on 4206363-10)	1	A,B
-16	1206161		STOP, Gun nose blast tube	1	A,B
			(ATTACHING PARTS)		
-17	AN4-12		BOLT	2	A,B
	AN960-416		WASHER	2	A,B
	AN363-428		NUT	2	A,B
			-----*		
-18	H42D11690		SOLENOID, Gun type G11 (GFP)	8	A,B
-19	43B15967		HEATER ASSY, Gun RH type J1 (GFP)	2	A,B
	43B15968		HEATER ASSY, Gun LH type J1 (GFP)	2	A,B
-20	D28300A		CHARGER ASSY, Retracting slide (GFP)	8	A,B
-21	1141057		ADAPTER, Retracting slide cable	8	A,B
-22	37B2675		MOUNT, Ammunition box LH type C2 (GFP)	2	A,B
	37B2675-1		MOUNT, Ammunition box RH type C2 (GFP)	2	A,B
-23	39B3905L		MOUNT, Ammunition box LH type C3 (GFP)	2	A,B
	39B3905R		MOUNT, Ammunition box RH type C3 (GFP)	2	A,B
	4143877		BRACKET ASSY, Wing gun aft charging pulley LH (LH and RH)	4	A,B
	4143877-1		BRACKET ASSY, Wing gun aft charging pulley RH (LH and RH)	4	A,B
			(ATTACHING PARTS)		
-24	AN3-5A		BOLT	1	A,B
	AN960-10L		WASHER	1	A,B
	AN960-10		WASHER	1	A,B
-25	AN3-44A		BOLT	2	A,B
	AN960-10		WASHER	2	A,B
			-----*		
-26	AN210-2A		PULLEY	1	A,B
			(ATTACHING PARTS)		
-27	AN3-6A		BOLT	1	A,B
	AN365-1032		NUT	1	A,B
			-----*		
-28	5143400		HANGER ASSY, Fixed wing gun mount support forward	4	A,B
-29	4143646		HANGER ASSY, Fixed wing gun mount support aft	4	A,B
-30	LLB50M3G1-5		CHUTE ASSY, Flexible feed (SMH)	2	A,B
-31	LLB50M4G1-23		CHUTE ASSY, Flexible feed (SMH)	4	A,B
	LLB50M3G1-4		CHUTE ASSY, Flexible feed (SMH)	2	A,B
	LLB50M4G1-8		CHUTE ASSY, Flexible feed (SMH)	2	A,B
	2206848		CHUTE ASSY, Wing gun link ejection inboard LH	2	A,B
	2206851		CHUTE ASSY, Wing gun link ejection inboard RH	2	A,B
	2206850		CHUTE ASSY, Wing gun link ejection outboard LH	2	A,B
	2206849		CHUTE ASSY, Wing gun link ejection outboard RH	2	A,B
-32	4206819		CHUTE, Fixed wing gun link ejection inboard	1	A,B

Section II
Group Assembly Parts List

T.O. 1B-26B-4

FIGURE & INDEX NO.	PART NO.	DESCRIPTION							UNITS PER ASSY	USABLE ON CODE
		1	2	3	4	5	6	7		
181-33	4206820								1	A,B
-34	44B4254								1	A,B
	44B4255								1	A,B
-35	AN502-10-4								2	A,B
-36	4143908								2	A,B
	4143908-1								2	A,B
-37	AN3-6A								8	A,B
	AN365-1032								8	A,B
-38	5143909								2	A,B
	5143909-1								2	A,B
-39	AN3-7A								2	A,B
	AN365-1032								2	A,B
	2205386								4	A,B
	5204921								1	A,B
-40	4204920								2	A,B
	4204920-1								2	A,B
-41	AN3-11								2	A,B
	AN310-3								2	A,B
-42	4204939								2	A,B
	4204939-12								2	A,B
-43	AN3-6								4	A,B
	AN310-3								4	A,B
-44	4204919								4	A,B
-45	4204896								4	A,B
-46	4204875								4	A,B
-47	AN3-4								2	A,B
	AN310-3								2	A,B
		A USAF 41-39100 thru 41-39424 B USAF 41-39425 thru 41-39599								
		42-22252 thru 43-22751 44-34098 thru 44-34217								
		44-35198 thru 44-35937								

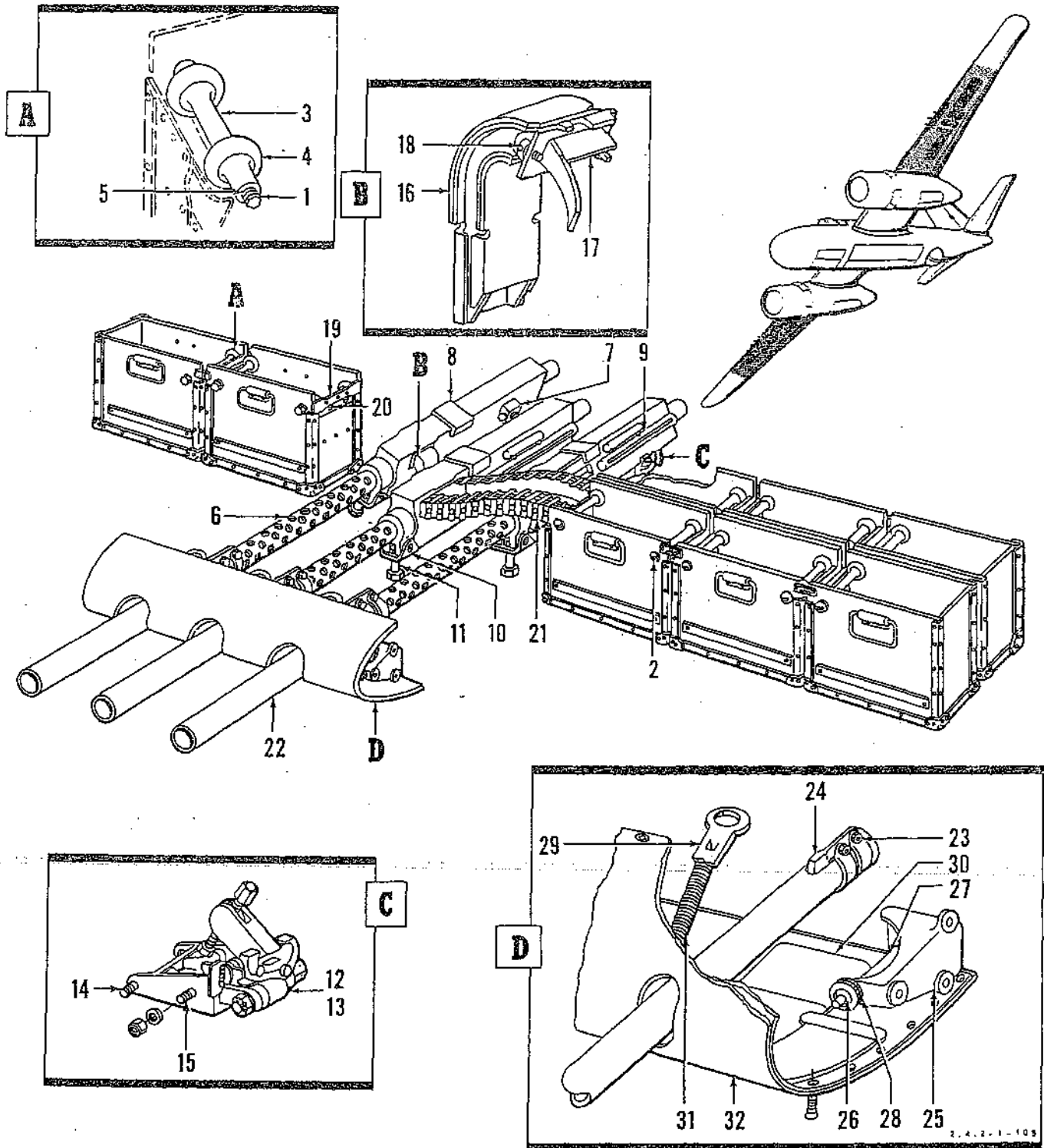


Figure 182. Internal Wing Fixed Guns Installation

Group Assembly Parts List

FIGURE & INDEX NO.	PART NO.	1	2	3	4	5	6	7	DESCRIPTION	UNITS PER ASSY	USABLE ON CODE
182	5209777	FIXED GUNS/INSTL, Internal wing (see figure 177)							Ref	A	
	5209594	BOX ASSY, Internal wing gun ammunition sta 205 inboard							2	A	
	5209636	BOX ASSY, Internal wing gun ammunition sta 205 outboard							2	A	
	5209611	BOX ASSY, Outboard wing gun ammunition inboard							4	A	
	5209612	BOX ASSY, Outboard gun ammunition outboard							2	A	
	2206212	ROLLER ASSY, Caliber .50 ammunition box							13	A	
		(ATTACHING PARTS)									
-1	AN3-62A	BOLT							3	A	
-2	2275195	SCREW							5	A	
	1205748	SPACER							13	A	
	AN960-10L	WASHER							5	A	
	AN364-1032	NUT							8	A	
-3	2206208-4	ROLLER, Caliber .50 ammunition box							1	A	
-4	3G2-2	TIRE (ARW)							2	A	
-5	F400-2	BEARING (AXD)							2	A	
-6	H39G5332	MACHINE GUN, Caliber .50 type M2 (GFP)							6	A	
-7		SOLENOID ASSY, Gun type G-9 (GFP)							6	A	
-8	44B25259	HEATER ASSY, Gun type J-4 (GFP)							6	A	
-9	81000	CHARGER ASSY, Gun model H50 (WK)							6	A	
-10	44B11182	BRACKET ASSY, Gun trunnion type A-1A (GFP)							6	A	
		(ATTACHING PARTS)									
-11	2276826	BOLT							1	A	
	AN960D1216	WASHER							1	A	
	AN320-12	NUT							1	A	
-12	106-61026	MOUNT, Gun LH (TIB) (LH and RH)							3	A	
-13	106-61026-1	MOUNT, Gun RH (TIB) (LH and RH)							3	A	
		(ATTACHING PARTS)									
-14	1029421-416-14	SCREW							2	A	
-15	AN4-7A	BOLT							2	A	
	AN960D416	WASHER							4	A	
	AN365-428	NUT							4	A	
	2278194	CHUTE ASSY, Wing link ejection LH, upper (LH and RH)							3	A	
	2278195	CHUTE ASSY, Wing link ejection RH, upper (LH and RH)							3	A	
-16	4277785	CHUTE ASSY, Wing gun link ejection, upper							1	A	
-17	6M954A	ADAPTER ASSY, Gun link chute LH (PRQ)							1	A	
	6M955A	ADAPTER ASSY, Gun link chute RH (PRQ)							1	A	
		(ATTACHING PARTS)									
-18	AN502-10-4	SCREW							2	A	
	AN936B10	WASHER							2	A	
-19	4275821	PLATE ASSY, Wing gun feed chute attaching							6	A	
		(ATTACHING PARTS)									
-20	1029421-10-14	SCREW							2	A	
	AN960D10	WASHER							2	A	
	AN365-1032	NUT							2	A	
-21	LLB50M4G1-6	CHUTE ASSY, Flexible feed (SMH)							4	A	
	LLB50M4G1-13	CHUTE ASSY, Flexible feed (SMH)							2	A	
	4275904	TUBE ASSY, Wing gun blast							6	A	
-22	4275904-2	TUBE, Wing gun blast							1	A	
		(ATTACHING PARTS)									
-23	AN4-12	BOLT							2	A	
	AN363-428	NUT							2	A	
-24	1206161	STOP							1	A	
-25	4276159	BRACKET ASSY, Wing gun boresight support							4	A	
	2276163	SHAFT ASSY, Wing gun boresight flange (BEH)							4	A	
-26	SP5096	FLANGE (BEH)							1	A	
-27	2276164	SHAFT, Wing gun boresight							1	A	
-28	SP5097	FLANGE (BEH)							4	A	
-29	4276875	SLIDE ASSY, Wing gun nose cover seal upper							6	A	
-30	4276853	SLIDE ASSY, Wing gun nose cover seal lower							6	A	
-31	2276852	SPRING, Wing gun nose cover seal slide							6	A	
	AN365-103	NUT							12	A	
-32	5276080	COVER ASSY, Wing gun nose seal LH							1	A	
	5276080-1	COVER ASSY, Wing gun nose seal RH							1	A	
		(ATTACHING PARTS)									
	1029421-10-8	SCREW							28	A	
	1029421-10-10	SCREW							52	A	
		A USAF 44-34218 thru 44-35197 44-35938 thru 44-35996									

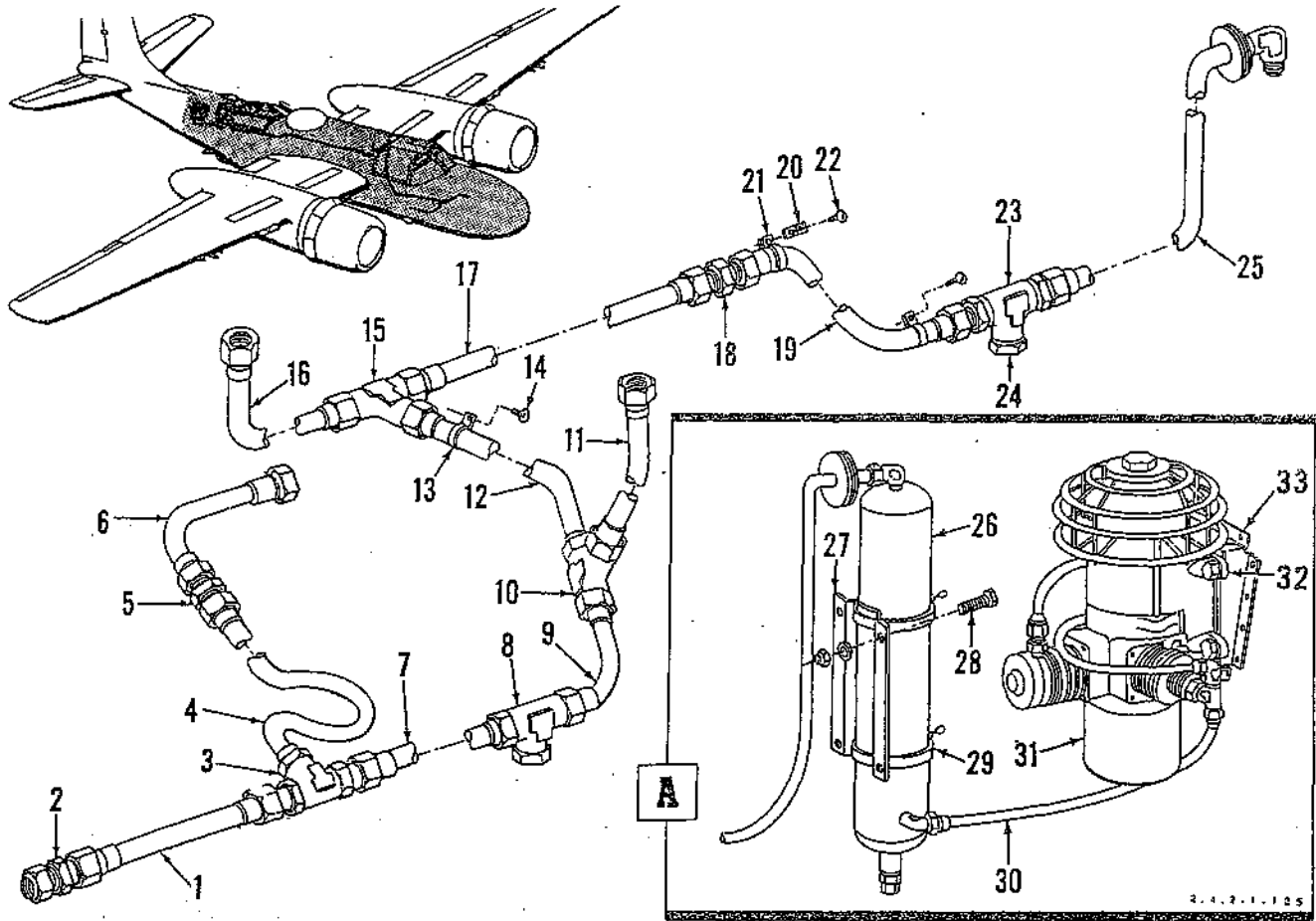


Figure 183. Fuselage Pneumatic Gun Charging Equipment Installation

FIGURE & INDEX NO.	PART NO.	1 2 3 4 5 6 7	DESCRIPTION	UNITS PER ASSY	USABLE ON CODE
183-	5209469		GUN CHARGING EQUIPMENT INSTL, Fuselage pneumatic (see figure 177)	Ref	A
-1	4209771-520		PIPING ASSY	1	A
-2	AN832-4D		UNION	1	A
	AN924-4D		NUT	1	A
-3	AN824-4D		TEE	1	A
-4	4209771-522		PIPING ASSY	1	A
-5	AN815-4D		UNION	1	A
-6	MS28741-4-0180		HOSE ASSY	1	A
	AN6290-4		GASKET	1	A
-7	4209771-524		PIPING ASSY	1	A
-8	AN824-4D		TEE	1	A
-9	4209771-512		PIPING ASSY	1	A
-10	AN824-4D		TEE	1	A
-11	4209771-510		PIPING ASSY	1	A
-12	4209771-508		PIPING ASSY	4	A
-13	A2981-4		CLAMP (TIN) (ATTACHING PARTS)	1	A
-14	AN530-8-8		SCREW	1	A
-15	AN824-4D		TEE	1	A
-16	4209771-506		PIPING ASSY	1	A
-17	4209771-518		PIPING ASSY	1	A
-18	AN815-4D		UNION	1	A
-19	4209771-516		PIPING ASSY	1	A
-20	A6246-8Z-3		CLIP (TIN)	1	A
-21	AN742D4		CLAMP (formerly AN755-4) (ATTACHING PARTS)	2	A
-22	AN530-8-8		SCREW	2	A
-23	AN926-4D		TEE	1	A

Group Assembly Parts List

FIGURE & INDEX NO.	PART NO.	1	2	3	4	5	6	7	DESCRIPTION	UNITS PER ASSY	USABLE ON CODE
183-24	AN814-4D								PLUG	1	A
	AN6290-4								GASKET	2	A
	AN815-4D								UNION	1	A
	4209771-50								PIPING ASSY	1	A
	31G100								TANK ASSY (CNL)	1	A
	4278124								BRACKET	1	A
									(ATTACHING PARTS)		
	-26	AN3-4A							BOLT	4	A
		AN960-10							WASHER	4	A
		AN365-1032							NUT	4	A
-29	AN737TW91-98							CLAMP (formerly AN748-91)	2	A	
-30	4209771-502							PIPING ASSY	1	A	
-31	32R300							COMPRESSOR ASSY (CNL)	1	A	
								(ATTACHING PARTS)			
-32	AN4-7A							BOLT	4	A	
	AN960-416							WASHER	4	A	
-33	4277104							BRACKET	1	A	

A USAF 43-34128 thru 44-35197
44-35938 thru 44-35996

ARMAMENT

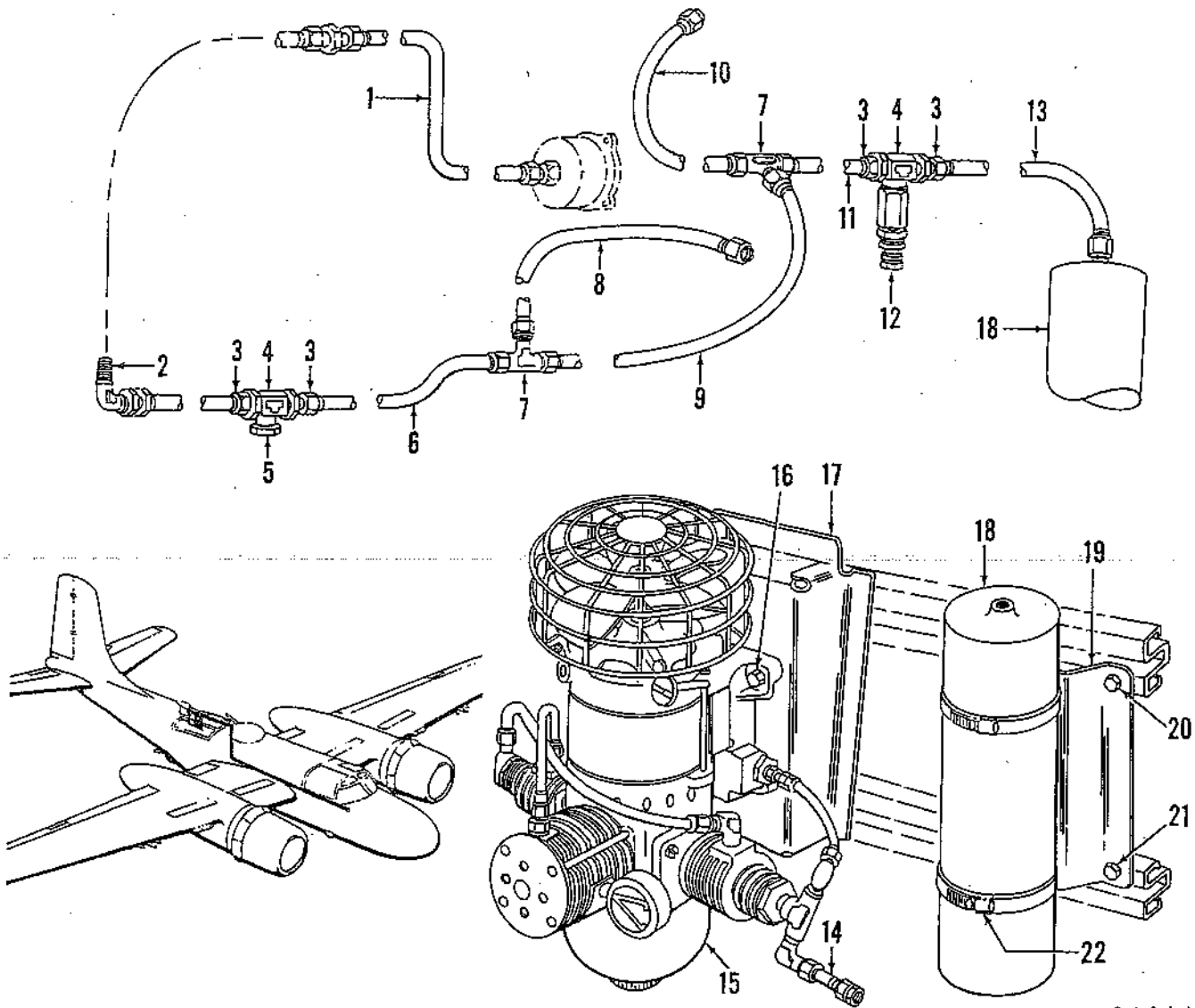


Figure 184. External Wing Gun Pneumatic Charger Equipment Installation

2.4.2.1-107

FIGURE & INDEX NO.	PART NO.	DESCRIPTION							UNITS PER ASSY	USABLE ON CODE
		1	2	3	4	5	6	7		
184-	52SCK920	PNEUMATIC CHARGER EQUIPMENT INSTL, External wing gun.....							Ref	
		(see figure 177)								
-1	MS28741-4-0180	HOSE ASSY.....							1	
-2	AN833-4D	ELBOW.....							1	
	AN960D716	WASHER.....							1	
	AN924-4D	NUT.....							1	
-3	AN815-4D	UNION.....							4	
-4	AN938-4D	TEE.....							2	
	AN6290-4	GASKET.....							6	
-5	AN814-4D	PLUG AND BLEEDER.....							1	
-6	52SCC915-5	PIPE ASSY.....							1	
-7	AN824-4D	TEE.....							2	
-8	52SCC915-6	PIPE ASSY.....							1	
-9	52SCC915-4	PIPE ASSY.....							1	
-10	52SCC915-7	PIPE ASSY.....							1	
-11	52SCC915-3	PIPE ASSY.....							1	
-12	AN6287-1	VALVE.....							1	
-13	52SCC915-2	PIPE ASSY.....							1	
-14	52SCC915-1	PIPE ASSY.....							1	
	51SCD43	CYLINDER AND AIR COMPRESSOR INSTL, Gun charger.....							1	
-15	32R300	COMPRESSOR ASSY, Air (WK).....							1	
		(ATTACHING PARTS)								
-16	AN4-7A	BOLT.....							4	
-17	4277104	BRACKET ASSY.....							1	
-18	31G100	TANK ASSY, Pressure (CNL).....							1	
-19	4209642	BRACKET.....							1	
		(ATTACHING PARTS)								
-20	AN4-5A	BOLT.....							2	
	AN960-416	WASHER.....							2	
	AN365-428	NUT.....							2	
-21	AN4-4A	BOLT.....							2	
	AN960-416	WASHER.....							2	
	AN365-428	NUT.....							2	
-22	AN737TW91-98	CLAMP.....							2	
		A: USAF 44-34718, 44-34723, 44-35361, 44-35380, 44-35382, 44-35383, 44-35391, 44-35411, 44-35412, 44-35530, 44-35631, 44-35641, 44-35703, 44-35753, 44-35763, 44-35777, 44-35784, 44-35790, 44-35835, 44-35849, 44-35853, 44-35856, 44-35857, 44-35860, 44-35867, 44-35868, 44-35872, 44-35876, 44-35877, 44-35880, 44-35919, 44-35926, 44-35928, 44-35930, 44-35932, 44-35934								

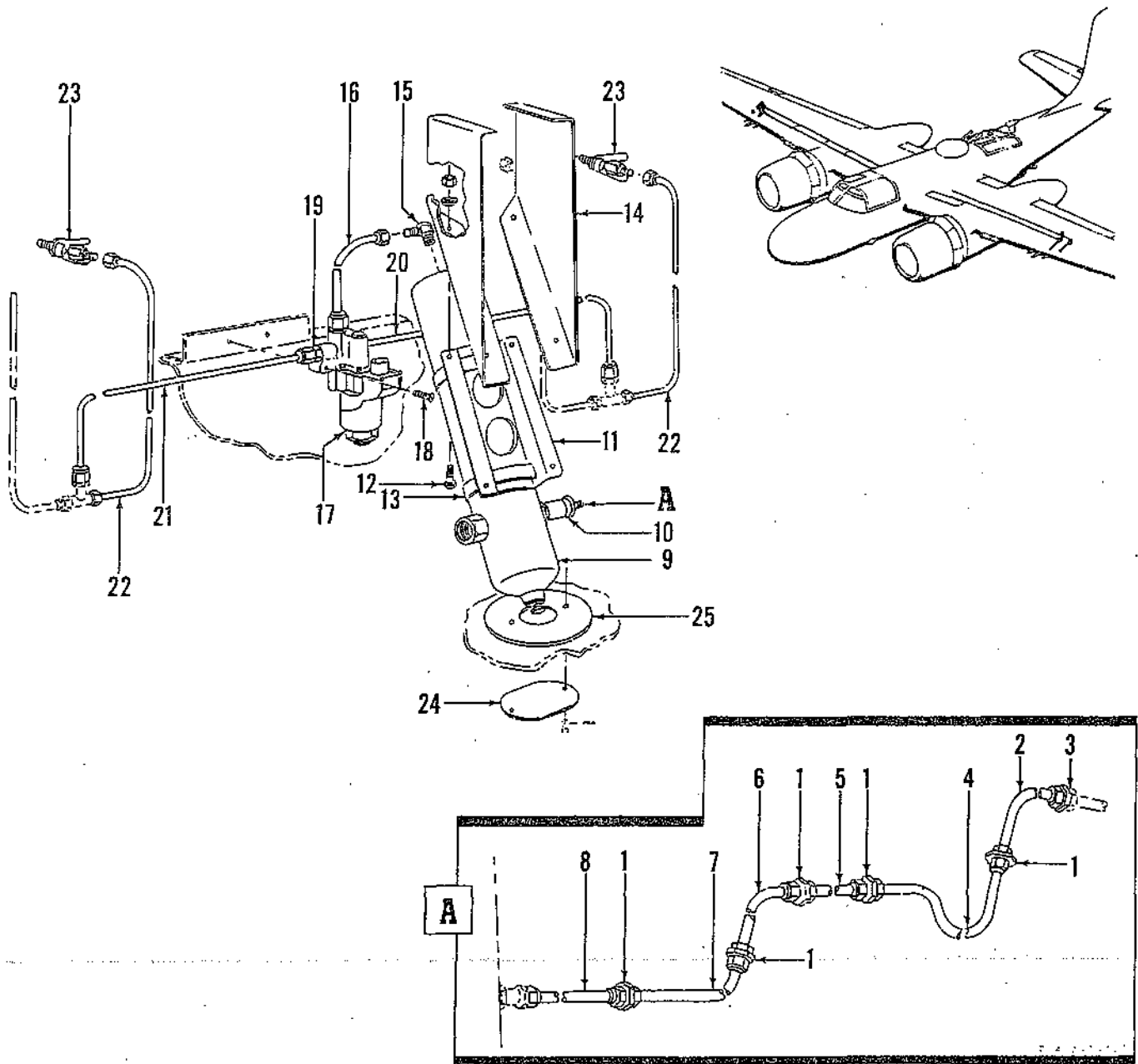


Figure 185. External Wing Gun LH Pneumatic Charger Installation

FIGURE & INDEX NO.	PART NO.	DESCRIPTION							UNITS PER ASSY	USABLE ON CODE
		1	2	3	4	5	6	7		
185	52SCJ909L	PNEUMATIC CHARGER INSTL, External wing gun LH (see figure 177).....							Ref	A
	52SCJ909R	PNEUMATIC CHARGER INSTL, External wing gun RH (see figure 177).....							5	A
-1	AN832-4D	UNION.....							1	A
-2	52SCC915-8	PIPE ASSY.....							1	A
-3	AN815-4D	UNION.....							1	A
-4	52SCC915-9	PIPE ASSY.....							1	A
-5	52SCC915-10	PIPE ASSY.....							1	A
-6	52SCC915-11	PIPE ASSY.....							1	A
-7	52SCC915-12	PIPE ASSY.....							1	A
-8	52SCC915-13	PIPE ASSY.....							1	A
-9	31G100	TANK ASSY, Pressure (CNL).....							1	A
-10	W1450G1-5	VALVE ASSY (WTR).....							1	A
	52SCC910	SUPPORT ASSY.....							1	A
-11	4209642	BRACKET..... (ATTACHING PARTS)							4	A
-12	AN4-5A	BOLT.....							4	A
	AN960D416	WASHER.....							4	A
	AN365-428	NUT.....							2	A
-13	AN737-91	CLAMP.....							1	A
-14	52SCC911L	BRACKET, Support LH.....							1	A
	52SCC911R	BRACKET, Support RH.....							1	A
-15	AN822-4D	ELBOW.....							1	A
-16	52SCC915-14	PIPE ASSY.....							1	A
-17	79449	VALVE ASSY..... (ATTACHING PARTS)							2	A
-18	AN526-1032-24	SCREW.....							2	A
-19	AN816-3D	NIPPLE.....							1	A
-20	52SCC915-15	PIPE ASSY.....							1	A
-21	52SCC915-16	PIPE ASSY.....							4	A
-22	AN6271-3-17-1/2	HOSE ASSY.....							4	A
-23	30816	FITTING ASSY.....							1	A
-24	52SCB914	PLATE ASSY.....							1	A
-25	52SCB913	DOUELER ASSY.....								
		A USAF 44-34718, 44-34723, 44-35361, 44-35380, 44-35382, 44-35383, 44-35391, 44-35411, 44-35412, 44-35530, 44-35631, 44-35641, 44-35703, 44-35753, 44-35763, 44-35777, 44-35784, 44-35790, 44-35835, 44-35849, 44-35853, 44-35856, 44-35857, 44-35860, 44-35867, 44-35868, 44-35872, 44-35876, 44-35877, 44-35880, 44-35919, 44-35926, 44-35928, 44-35930, 44-35932, 44-35934								

Section II
Group Assembly Parts List

T.O. 1B-26B-4
ARMAMENT

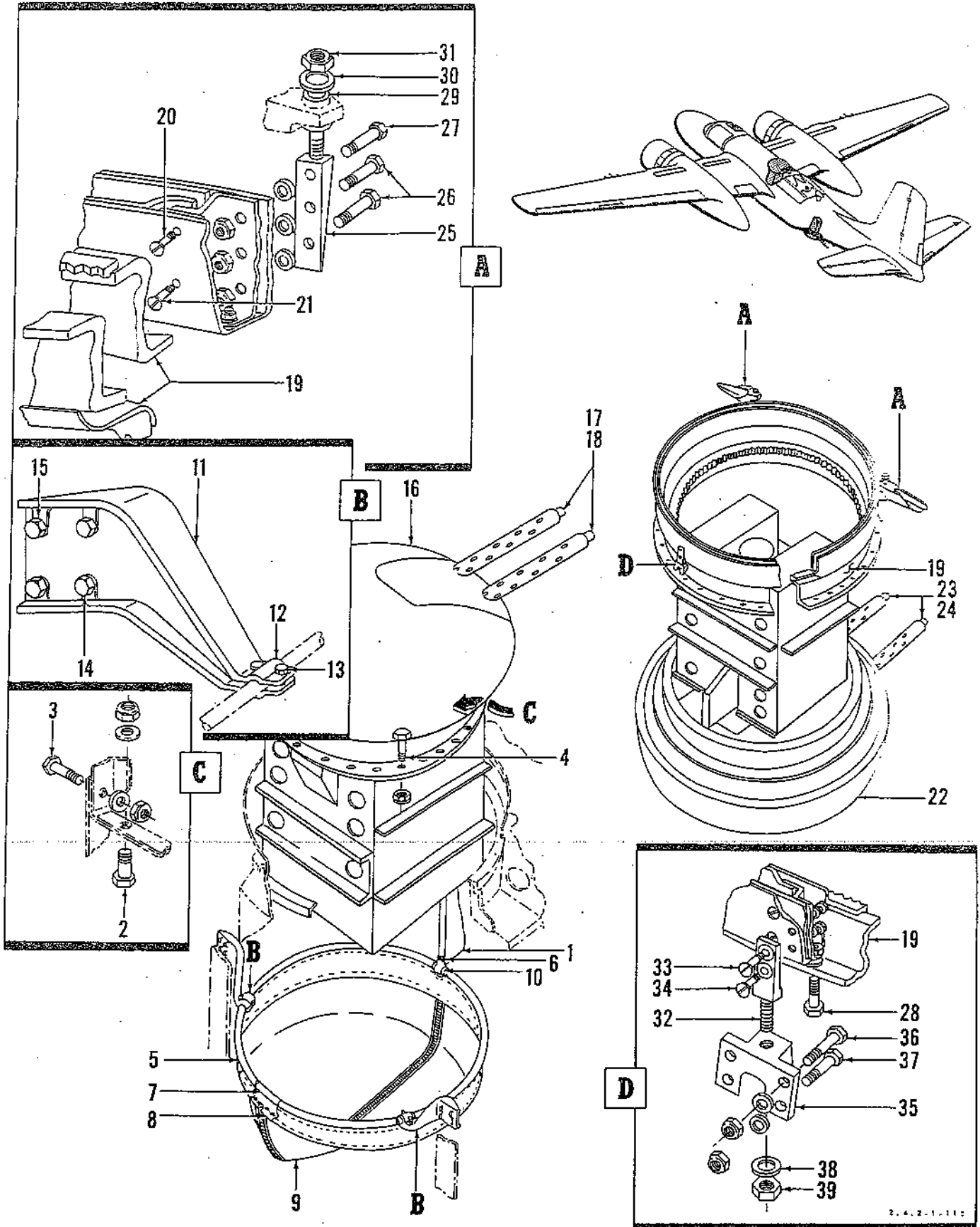


Figure 186. Upper and Lower Turret Installation

Group Assembly Parts List

FIGURE & INDEX NO.	PART NO.	DESCRIPTION							UNITS PER ASSY	USABLE ON CODE
		1	2	3	4	5	6	7		
186-		UPPER AND LOWER TURRET INSTL								
	5153300	TURRET INSTL, Upper (see figure 177)							Ref	
	5193035	BULKHEAD INSTL, Case and link catcher support							1	
-1	4192919	BULKHEAD ASSY, Case and link catcher support (ATTACHING PARTS)							1	
	AN3-5A	BOLT							1	
-2	AN960D10	WASHER							1	
	AN365-1032	NUT							1	
	AN3-6A	BOLT							1	
-3	AN960D10	WASHER							1	
	AN365-1032	NUT							1	
	AN4-6A	BOLT							20	
-4	AN365-428	NUT							20	
	5193076	CATCHER INSTL, Upper turret case and link							1	
-5	5151966	CATCHER ASSY, Upper turret case and link catcher (ATTACHING PARTS)							1	
	AN3-5A	BOLT							1	
-6	AN960D10	WASHER							1	
	AN365-1032	NUT							1	
	5150395	RING ASSY, Case and link catcher support							1	
-7	2190913	RING ASSY, Upper turret case and link catcher lower							1	
-8	5151907	BAG ASSY, Upper turret case and link							1	
-9	1151317	STRAP, Case and link catcher mounting							1	
-10	4151179	SUPPORT, Upper turret case and link catcher LH							1	
-11	4151179-1	SUPPORT, Upper turret case and link catcher RH (ATTACHING PARTS)							1	
	AN740TP8	CLAMP							2	
-12	AN3-11A	BOLT							4	
-13	AN960D10	WASHER							4	
	AN365-1032	NUT							4	
	AN3-7A	BOLT							4	
-14	2209192	SPACER							2	
	AN960D10	WASHER							4	
	AN365-1032	NUT							4	
	AN3-13A	BOLT							4	
-15	2209192	SPACER							2	
	AN960D10	WASHER							4	
	AN365-1032	NUT							4	
-16	WW8019524	TURRET ASSY, Upper gun (GE) (GFP)							1	
-17	H39G5332	MACHINE GUN, Caliber .50 type M-2 (GFP)							2	
-18	T8252878	GUN CHARGER, Caliber .50 (GE) (GFP)							2	
	5153307	TURRET INSTL, Lower (see figure 177)							Ref	
	5196733	RING ASSY, Lower turret aligning							1	
-19	5196733-12	RING ASSY, Lower turret aligning							1	
-20	1029421-10-10	SCREW							6	
	AN960-10	WASHER							6	
	AN365-1032	NUT							6	
-21	1029421-10-12	SCREW							6	
-22	WW8019523	TURRET ASSY, Lower gun (GE) (GFP)							1	
-23	H39G5332	MACHINE GUN, Caliber .50 type M-2 (GE) (GFP)							2	
-24	T8252878	GUN CHARGER, Caliber .50 (GE) (GFP)							2	
-25	1195897	BOLT (ATTACHING PARTS)							1	
	AN4-6A	BOLT							4	
-26	AN960-416	WASHER							4	
	AN365-428	NUT							4	
	AN4-11A	BOLT							2	
-27	AN960-416	WASHER							2	
	AN365-428	NUT							2	
	AN4-6A	BOLT							24	
-28	AN960-416	WASHER							24	
	AN365-428	NUT							24	
	1143828	BUSHING							2	
-29	AN960D716	WASHER							2	
-30	AN365-720	NUT							2	
-31	1143664	BOLT							1	
	1029421-416-14	SCREW (ATTACHING PARTS)							1	
-33	AN960-416	WASHER							1	
	AN365-428	NUT							1	
-34	1029421-416-10	SCREW							1	
	AN960-416	WASHER							1	
	AN365-428	NUT							1	
	2143677	FITTING (ATTACHING PARTS)							1	
-35	AN4-7A	BOLT							2	
-36	AN960D416	WASHER							2	
	AN365-428	NUT							2	
	AN4-11A	BOLT							2	
-37	AN960D416	WASHER							2	

Section II
Group Assembly Parts List

T.O. 1B-26B-4

FIGURE & INDEX NO.	PART NO.	1	2	3	4	5	6	7	DESCRIPTION	UNITS PER ASSY	USABLE ON CODE
186-	AN365-428								NUT	2	
-38	955-7								WASHER (USAF Standard)	2	
-39	AN365-720								NUT	1	

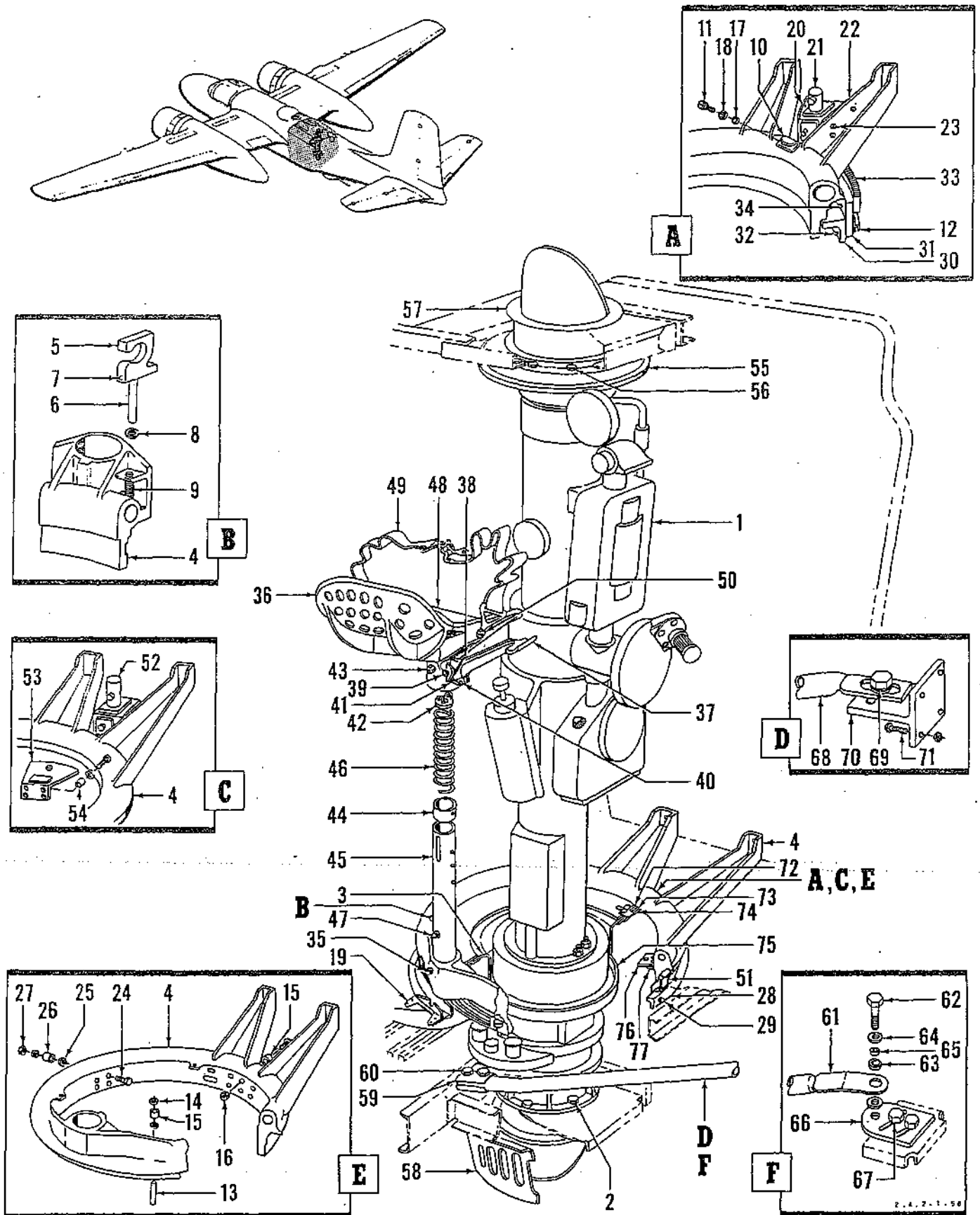


Figure 187. Sighting Station Installation

Group Assembly Parts List

FIGURE & INDEX NO.	PART NO.	DESCRIPTION							UNITS PER ASSY	USABLE ON CODE
		1	2	3	4	5	6	7		
157-	5153312	STATION INSTL, Sighting (see figure 177)							Ref	
-1	W-W8009110	STATION, Sighting group 1 (GE) (GFP)							1	
		(ATTACHING PARTS)								
-2	AN4-7A	BOLT							16	
	AN960D416	WASHER							16	
	AN365-428	NUT							16	
-3	5206036	SEAL ASSY, Sighting sta movable							1	B,C
	5153313	SEAT, Gunner seat support							1	
	5150168	SUPPORT ASSY, Gunner seat and armor plate complete							1	A,B
	5208824	SUPPORT ASSY, Gunner drive seat and armor plate complete							1	C
-4	5123492	SUPPORT ASSY							1	
	2129221	PLUNGER ASSY, Gunner seat stop							1	A,B
-5	1128894	HANDLE, Gunner seat stop plunger							1	A,B
-6	1128892	PLUNGER							1	A,B
-7	146142-062-018	PIN (Stake in place)							1	A,B
-8	AN960-416L	WASHER							3	A,B
-9	1128893	SPRING, Gunner seat stop plunger							1	A,B
-10	MS640525	CLIP (GFP)							1	C
		(ATTACHING PARTS)								
-11	AN502-10-8	SCREW							2	C
	AN935-10	WASHER							2	C
-12	T-8601-220	SHIELD (GFP)							3	C
-13	1128891	SHAFT, Gunner seat roller							4	
-14	AN960-416L	WASHER							8	
-15	AT-4CP	TRACK ROLLER (TOR)							14	
-16	AN24-24	BOLT							10	
	AN320-4	NUT							10	
-17	R2058E6	INSERT							2	C
-18	R2058E7	LOCK RING							2	C
	5193084	STOP INSTL, Gunner seat support							1	A,B
-19	2129239	STOP ASSY							2	A,B
-20	P-9005063	BRACKET (GFP)							1	C
-21	T-8672159	TRANSMISSION, Variable speed (GFP)							1	C
-22	P-9005064	SUPPORT (GFP)							1	C
-23	AN5-10A	BOLT							6	C
	AN960-516	WASHER							6	C
	AN364-524	NUT							6	C
-24	AN24-20A	BOLT							10	
-25	AN960-416L	WASHER							20	
-26	AT-4CP	ROLLER (TOR)							10	
-27	AN364-428	NUT							10	
	5190547	TRACK INSTL, Gunner seat support							1	
-28	4192953	TRACK, Gunner seat support							1	A,B
	4208823	TRACK ASSY, Gunner seat support							1	C
		(ATTACHING PARTS)								
-29	NAS224-1	SCREW (formerly 1029657P616-14)							4	
	124682-6D10-091	WASHER							3	
	AN960D616	WASHER							4	
	AN364-624	NUT							4	
-30	4192953	TRACK, Gunner seat support							1	C
-31	MS640518	STRIP (GFP)							8	C
-32	AN3-5A	BOLT							16	C
	AN960-10L	WASHER							16	C
	AN364-1032	NUT							16	C
-33	P-9005069	RING GEAR (GFP)							1	C
-34	AN3-3A	BOLT							16	C
	AN960-10L	WASHER							16	C
	5153314	SEAT ASSY, Gunner							1	C
		(ATTACHING PARTS)								
-35	AN4-33A	BOLT							1	
	AN960D416	WASHER							1	
	AN365-428	NUT							1	
-36	5195473	SEAT							1	
-37	2195087	LEVER, Gunner seat bungee							1	
-38	1127717	SPRING, Gunner seat bungee lever actuating							1	
-39	AN23-25A	BOLT							1	
	1026614-3-026	SPACER							1	
	AN960D10	WASHER							1	
	AN365-1032	NUT							1	
-40	1127718	PIN, Gunner seat bungee							1	
-41	AN392-15	PIN							1	
-42	2126734	RETAINER, Gunner seat bungee							1	
-43	AN5-31A	BOLT							1	
	AN960D516	WASHER							1	
	AN365-524	NUT							1	
-44	2126733	BUSHING							1	
-45	4127592	TUBE, Gunner seat supporting							1	
-46	4127593	SPRING							1	
-47	AN3-23A	BOLT							1	
	AN960D10	WASHER							1	
	AN365-1032	NUT							1	
-48	5195475	PAD ASSY, Rear gunner seat							1	

FIGURE & INDEX NO.	PART NO.	DESCRIPTION							UNITS PER ASSY	USABLE ON CODE				
		1	2	3	4	5	6	7						
187-49	B4G1646								2					
-50	AN24-23 AN940D416 AN320-4								2 4 2					
-51	5150196								1					
-52	WW8677556								1					
-53	M8653002								1					
-54	AN502-10-16 AN935-10 MK9030692								4 4 4					
-55	5190560								1					
-56	AN4-7A AN960-416 AN365-428								8 8 8					
-57	4193447								1	D				
-58	3206874								1					
-59	2202829								1					
-60	AN4-17								2					
-61	4202824								1					
-62	AN4-10								1	A				
-63	1202831								1	A				
-64	124682-4R11-065								2	A				
-65	1026614-4-008								1	A				
-66	1202830								1	A				
-67	AN4-5A								2	A				
-68	3206951								1	B,C				
-69	2206987 2207006 AN960-616 AN365-428								1 1 1 1	B,C B,C B,C B,C				
-70	2207007								1	B,C				
-71	AN3-5A AN365-1032								4 4	B,C B,C				
-72	5153153-2								1					
-73	5193153-4								1					
-74	5193154-2								1					
-75	5193154-4								1					
-76	1205936								4					
-77	AN507-832R 12 AN365-832								8 8					
	98-2-MS-P								1					
		A	USAF	41-39100 thru 41-39199							C	USAF	43-22454 thru 43-22466	
				43-22252 thru 43-22351									43-22565 thru 43-22751	
		B	USAF	41-39200 thru 41-39599									44-34098 thru 44-35996	
				43-22352 thru 43-22453										
				43-22467 thru 43-22564									D	USAF Required and used on B-26B airplanes only.

Section II
Group Assembly Parts List

T.O. 1B-26B-4
ARMAMENT

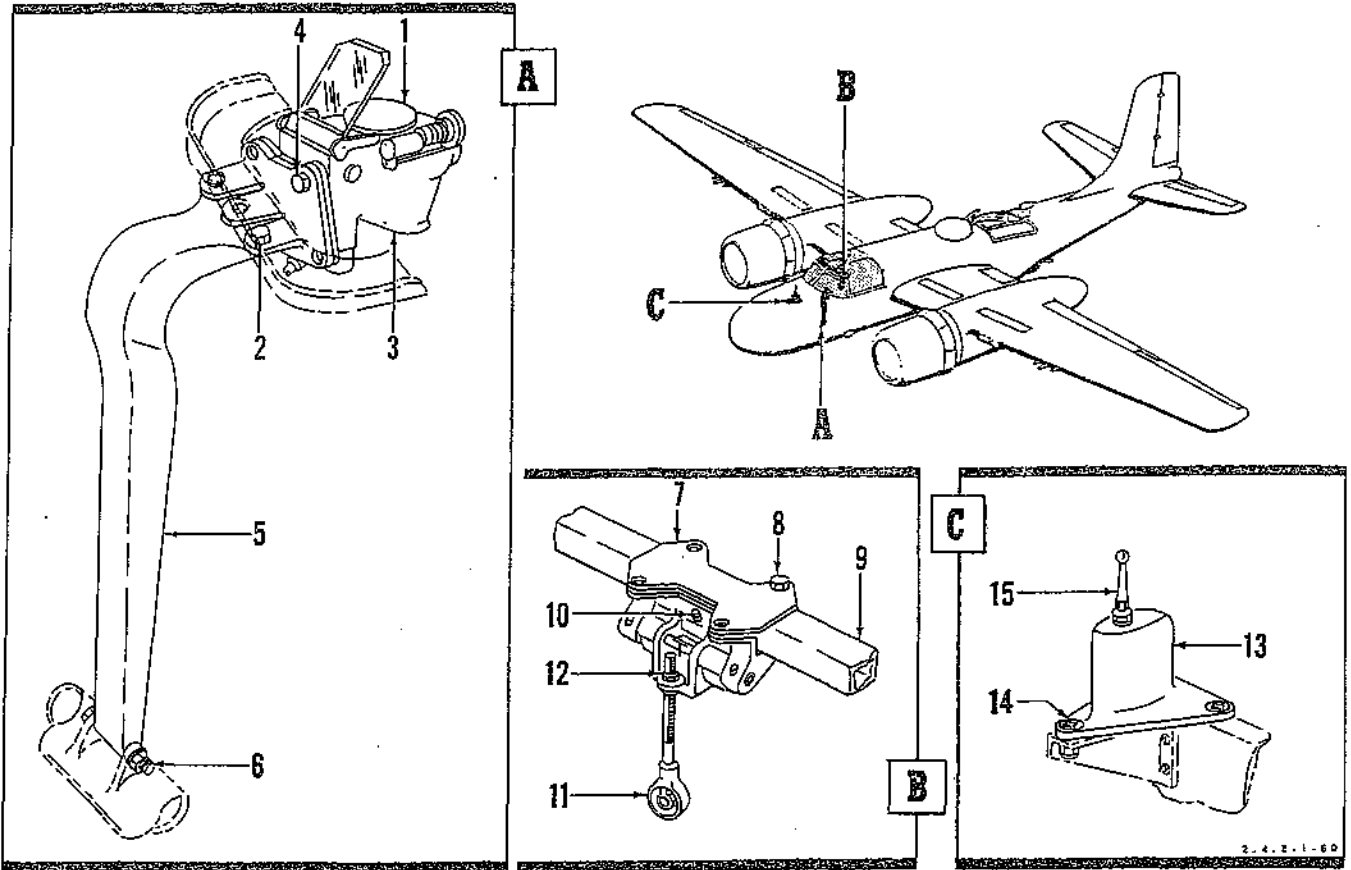


Figure 188. Pilot's Gun and Bomb Sights Installation

FIGURE & INDEX NO.	PART NO.	1 2 3 4 5 6 7	DESCRIPTION	UNITS PER ASSY	USABLE ON CODE
188-	5204965		GUN AND BOMB SIGHTS INSTL, Pilot's		
			SIGHT INSTL, Pilot's gun and bomb type N-9 (GFP) (see figure 177)	Ref	
-1	No Number		HEAD ASSY, Variable bomb type A-3 (BEH) (ATTACHING PARTS)	1	
-2	AN4-7A AN960-416 AN365-428		BOLT	3	
			WASHER	3	
			NUT	3	
-3			SIGHT ASSY, Combination gun and bomb type N-9 (GFP) (ATTACHING PARTS)	1	
-4	AN4-10A AN960-416 AN365-428		BOLT	4	
			WASHER	4	
			NUT	4	
-5	5204966		SUPPORT ASSY, Gun sight type N-9 (ATTACHING PARTS)	1	
-6	AN4-30A AN365-428		BOLT	1	
			NUT	1	
-7	5203017 1202861 4202927		AUXILIARY: SIGHT INSTL, Ring and bead (see figure 177)	Ref	
			PLATE, Ring sight support	1	A
			SIGHT ASSY, Fixed gun ring (ATTACHING PARTS)	1	A
-8	AN3DD5A		BOLT (formerly 132100-30D-5A)	4	A
-9	3195628		SUPPORT ASSY, Torpedo director sight horizontal bar	1	A
-10	AN566C8-8		SCREW	1	A
-11	2094137		SIGHT ASSY, Fixed gun ring	1	A
-12	AN315D6R		NUT	2	A
-13	4202921		SUPPORT ASSY, Bead sight (ATTACHING PARTS)	1	B
-14	1029421-10-10 AN365-1032		SCREW, Flathead 100° recessed	3	B
			NUT	3	B

Group Assembly Parts List

FIGURE & INDEX NO.	PART NO.	1	2	3	4	5	6	7	DESCRIPTION	UNITS PER ASSY	USABLE ON CODE
188-15	1202920 AN960D716L AN316-7R								POST, Head sight WASHER NUT	1 1 1	B B B
									A USAF 41-39100 thru 41-39349 43-22252 thru 43-22301		
									B USAF 41-39350 thru 41-39599 43-22302 thru 43-22751 44-34098 thru 44-35996		

ARMAMENT

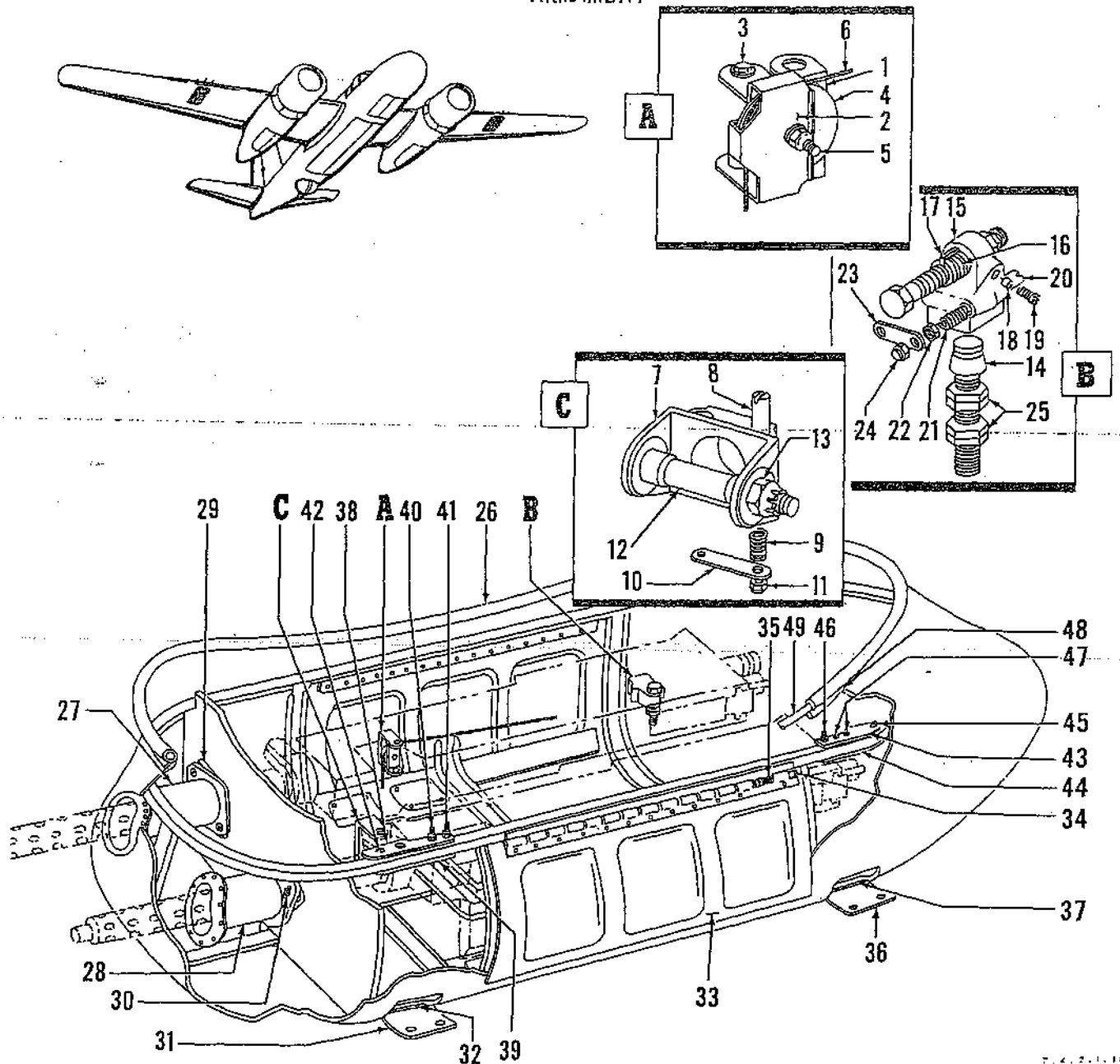


Figure 189. External Wing Guns Details

Section II
Group Assembly Parts List

T.O. 1B-26B-4

FIGURE & INDEX NO.	PART NO.	1 2 3 4 5 6 7	DESCRIPTION	UNITS PER ASSY	USABLE ON CODE
189-			EXTERNAL WING GUNS DETAILS		
	4206557		BRACKET ASSY, Manual wing gun charging pulley outboard.....	Ref	A,B
			LH (RH only) (see figure 181)		
	4206557-1		BRACKET ASSY, Manual wing gun charging pulley outboard.....	Ref	A,B
			RH (LH only) (see figure 181)		
	4143813		BRACKET ASSY, Manual wing gun charging pulley inboard.....	Ref	A,B
			LH (see figure 181)		
	4143813-1		BRACKET ASSY, Manual wing gun charging pulley inboard.....	Ref	A,B
			RH (see figure 181)		
-1	2143811		BRACKET ASSY, Manual wing gun charging pulley inside LH.....	1	A,B
	2143811-1		BRACKET ASSY, Manual wing gun charging pulley inside RH.....	1	A,B
-2	2143812		BRACKET ASSY, Manual wing gun charging pulley outside LH.....	1	A,B
	2143812-1		BRACKET ASSY, Manual wing gun charging pulley outside RH.....	1	A,B
-3	AN4-32A		BOLT.....	1	A,B
	1143807		BUSHING.....	1	A,B
	AN960-416		WASHER.....	1	A,B
	AN365-428		NUT.....	1	A,B
-4	AN210-2A		PULLEY.....	1	A,B
			(ATTACHING PARTS)		
-5	AN3-7A		BOLT.....	1	A,B
	AN960-10		WASHER.....	1	A,B
	AN960-10L		WASHER.....	2	A,B
	AN365-1032		NUT.....	1	A,B
-6	2143818-8		CABLE ASSY, Manual wing gun charging (used on.....	1	A,B
			4206537 and -1 only)		
	2143818-6		CABLE ASSY, Manual wing gun charging (used on.....	1	A,B
			4143813 and -1 only)		
	2192638		BRACKET ASSY, Fixed gun trunnion (see figure 181).....	Ref	A,B
	2192637		BRACKET ASSY, Fixed gun trunnion mount.....	1	A,B
-8	1192338		BOLT.....	2	A
-9	188081		SPRING.....	2	A
-10	1192339		LINK.....	1	A
-11	AN365-832		NUT.....	2	A
-12	1193201		BOLT.....	1	A
-13	1193200		NUT.....	1	A
	2192665		POST ASSY, Fixed gun mounting (see figure 181).....	Ref	A
-14	2192674		POST, Gun mounting.....	1	A
-15	2192664		HOLDER.....	1	A
-16	1193203		SLEEVE.....	1	A
-17	1193202		KEY.....	1	A
-18	188241		BUTTON.....	1	A
-19	AN565A4-8		SCREW.....	1	A
-20	1192372		BOLT.....	1	A
-21	188229		SPRING.....	2	A
-22	AN340-6		NUT.....	2	A
-23	1192371		LINK.....	1	A
-24	AN365-632		NUT.....	2	A
-25	188240		NUT.....	4	A
-26	5202898		FAIRING ASSY, Fixed wing gun LH (see figure 181).....	Ref	A,B
	5202898-1		FAIRING ASSY, Fixed wing gun RH (see figure 181).....	Ref	A,B
-27	4208204		TUBE ASSY, Fixed wing gun fairing lower LH.....	1	
	4208204-1		TUBE ASSY, Fixed wing gun fairing lower RH.....	1	
-28	4208205		TUBE ASSY, Fixed wing gun fairing upper LH.....	1	
	4208205-1		TUBE ASSY, Fixed wing gun fairing upper RH.....	1	
-29	2204701		PLATE, Fixed wing gun fairing air seal.....	2	
			(ATTACHING PARTS)		
-30	1027300-10-24		SCREW.....	2	
	AN960-10		WASHER.....	2	
	1158663		SPRING.....	2	
	AN970-3		WASHER.....	2	
	AN365-1032		NUT.....	2	
-31	5202898-50		DOOR ASSY, Fairing access LH.....	1	
	5202898-51		DOOR ASSY, Fairing access RH.....	1	
			(ATTACHING PARTS)		
-32	121873-091-228		PIN.....	1	
-33	5204917		DOOR ASSY, Fixed wing gun fairing LH.....	1	
	5204917-1		DOOR ASSY, Fixed wing gun fairing RH.....	1	
			(ATTACHING PARTS)		
-34	121873-881-1908		PIN.....	2	
-35	133509-6		SPRING.....	4	
-36	5202898-60		DOOR ASSY, Fairing access LH.....	1	
	5202898-61		DOOR ASSY, Fairing access RH.....	1	
			(ATTACHING PARTS)		
-37	121873-091-228		PIN.....	1	
-38	2204887		GUIDE, Fixed wing gun fairing support latch forward.....	2	
-39	2204890		PLATE, Fixed wing gun fairing bearing forward LH.....	1	
	2204890-1		PLATE, Fixed wing gun fairing bearing forward RH.....	1	
			(ATTACHING PARTS)		
-40	1087510-10-10		SCREW.....	2	

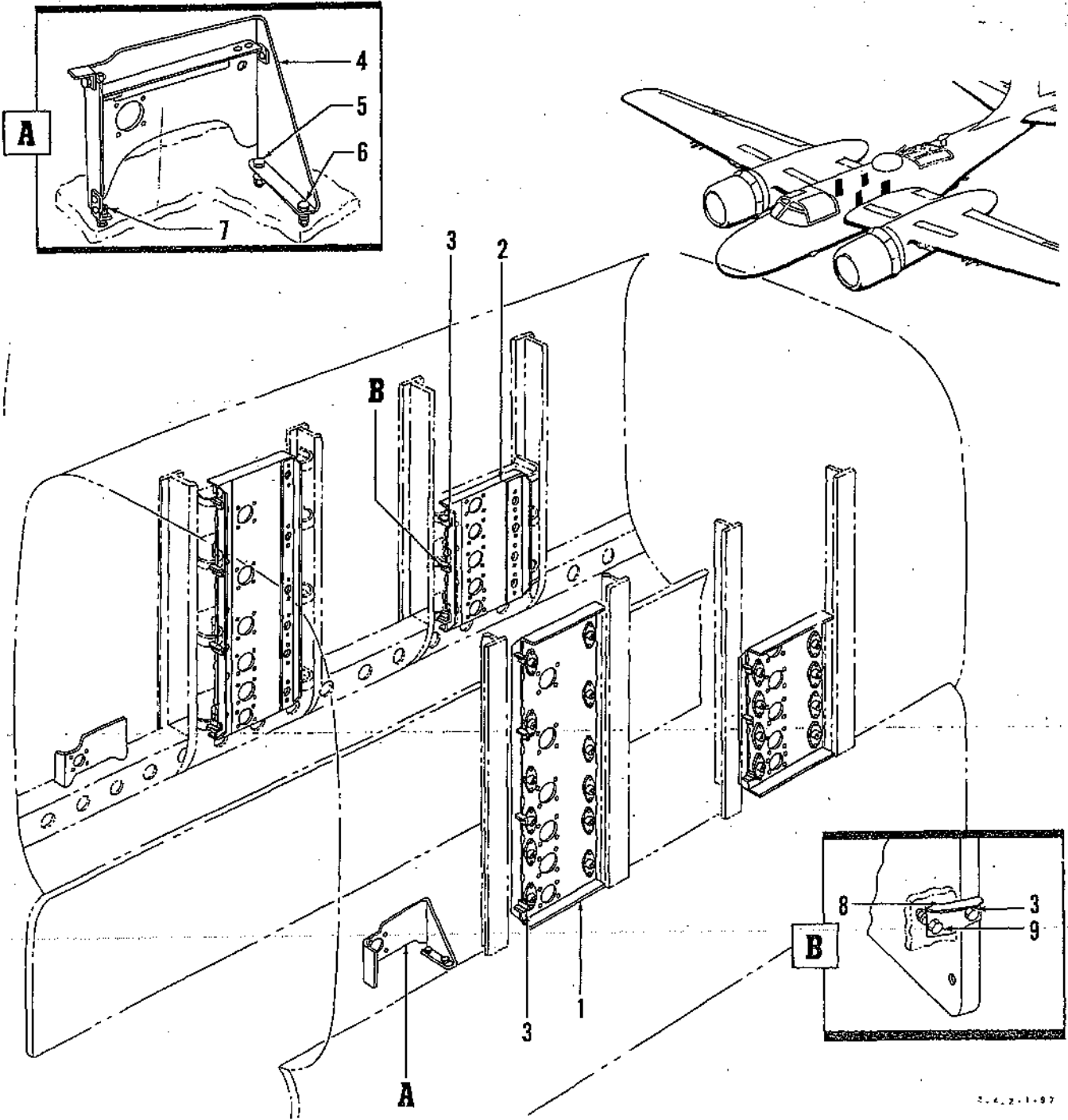


Figure 190. Demolition Bomb Rack Installation

FIGURE & INDEX NO.	PART NO.	DESCRIPTION							UNITS PER ASSY	USABLE ON CODE
		1	2	3	4	5	6	7		
190-	5204984	RACK INSTL, Demolition bomb (see figure 178)							Ref	
	-1	5204794	PANEL ASSY, Forward bomb rack LH						1	
		5204794-1	PANEL ASSY, Forward bomb rack RH						1	
	-2	5204884	PANEL ASSY, Rear bomb rack LH						1	
		5204884-1	PANEL ASSY, Rear bomb rack RH						1	
			(ATTACHING PARTS)							
	-3	AN3-4A	BOLT						16	
		AN960D10	WASHER						16	
		AN365-1032	NUT						16	
			-----*							
	-4	5204792	SUPPORT ASSY, Forward bomb rack sta 128 LH						1	
		5204792-1	SUPPORT ASSY, Forward bomb rack sta 128 RH						1	
			(ATTACHING PARTS)							
	-5	AN3-5A	BOLT						2	
		AN960D10	WASHER						2	
		AN365-1032	NUT						2	
	-6	AN3-10A	BOLT						2	
		AN960D10	WASHER						2	
		AN365-1032	NUT						2	
-7	AN3-7A	BOLT						2		
	AN960D10	WASHER						2		
	AN365-1032	NUT						2		
		-----*								
-8	1192259	SUPPORT ASSY, Rear bomb rack sta 150 lower LH						1		
	1192259-1	SUPPORT ASSY, Rear bomb rack sta 150 lower RH						1		
		(ATTACHING PARTS)								
-9	AN4-11A	BOLT						2		
	AN960D1416L	WASHER						2		
	AN365-428	NUT						2		
		-----*								

Section II
Group Assembly Parts List

T.O. 1B-26B-4
ARMAMENT

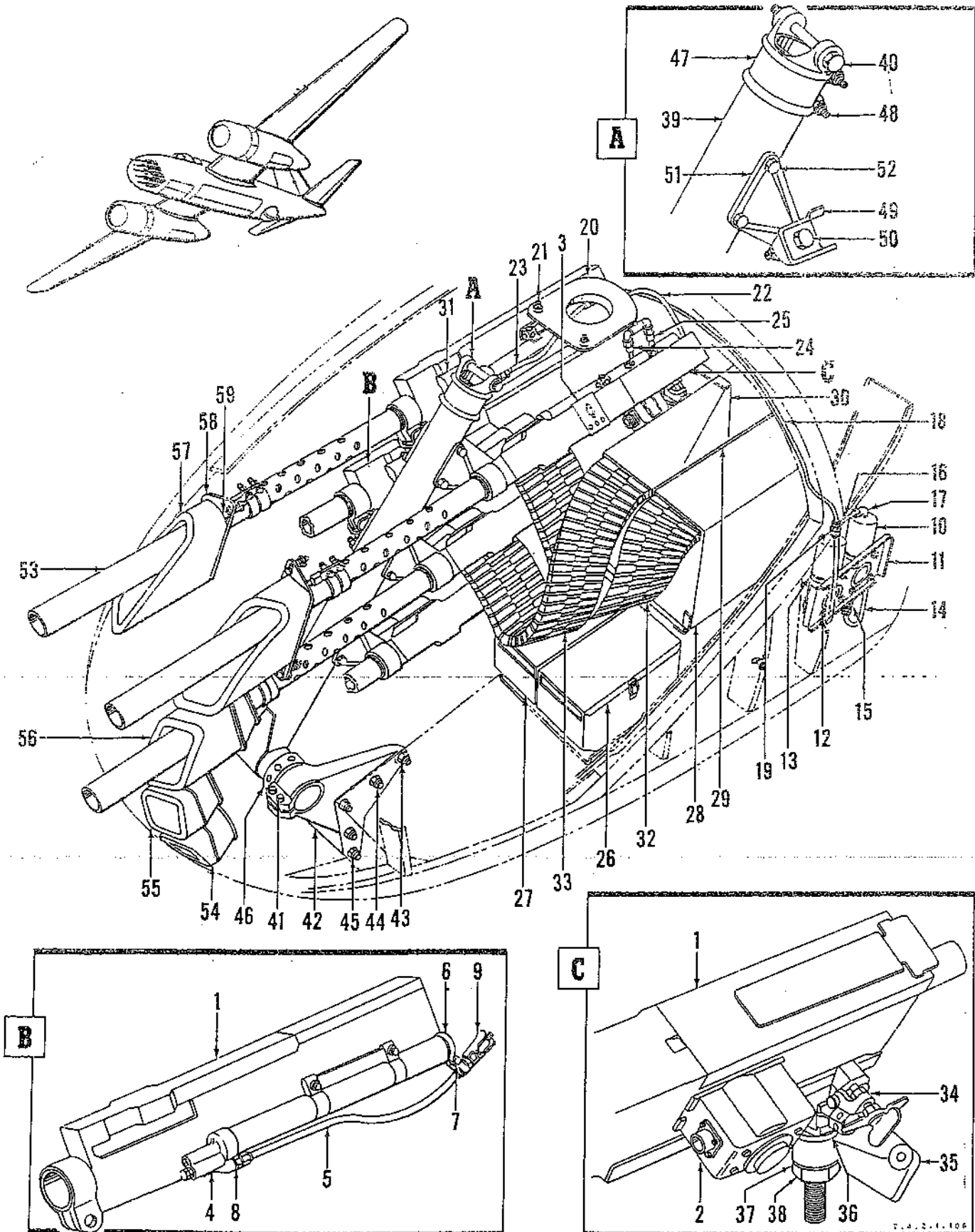


Figure 191. Eight Caliber .50 Gun Nose Assembly

FIGURE & INDEX NO.	PART NO.	1 2 3 4 5 6 7	DESCRIPTION	UNITS PER ASSY	USABLE ON CODE
191-	5209775		NOSE ASSY, Eight caliber .50 gun (see figure 42)	Ref	A
-1	H39GS332		MACHINE GUN, Caliber .50 M-2	8	A
-3	48C4021		SOLENOID, Gun type G-9	8	A
-5	44B25259		HEATER ASSY, Electric type J-4	8	A
-4	81000		CHARGER, Gun pneumatic (WK)	8	A
-5	2278024		TUBE ASSY	6	A
-6	2278076		BRACKET, LH	6	A
	2278076-1		BRACKET, RH	6	A
			(ATTACHING PARTS)		
-7	AN3-6A		BOLT	6	A
	AN960-10L		WASHER	8	A
	AN364-1032		NUT	6	A
			--- * ---		
-8	2280146		NIPPLE	8	A
-9	30816		FITTING	6	A
-10	31G100		TANK, Air storage (CNL)	2	A
-11	4209642		BRACKET	2	A
			(ATTACHING PARTS)		
-12	AN4-5A		BOLT	8	A
	AN960-416		WASHER	8	A
	AN365-428		NUT	8	A
			--- * ---		
-13	AN748-91		CLAMP	2	A
-14	4276285-500		LINE	1	A
-15	W1450G1-8		VALVE (WTR)	1	A
-16	4276285-502		LINE	1	A
-17	AN822-4D		ELBOW	1	A
-18	4276285-518		PIPE ASSY	1	A
-19	AN816-4D		NIPPLE	1	A
-20	4277616		PANEL ASSY	1	A
			(ATTACHING PARTS)		
-21	AN4-10A		BOLT	2	A
	AN960D416L		WASHER	2	A
	2033900-7D006-014		SPACER	2	A
	AN365-428		NUT	2	A
			--- * ---		
-22	MS28741-3-0120		HOSE ASSY	2	A
-23	MS28741-3-0240		HOSE ASSY	2	A
-24	2279656		HOSE ASSY	4	A
-25	2279655		HOSE ASSY	2	A
-26	5275212-500		BOX ASSY, Lower outboard LH	1	A
	5276212-501		BOX ASSY, Lower outboard RH	1	A
-27	5277821-500		BOX ASSY, Lower inboard LH	1	A
	5277821-501		BOX ASSY, Lower inboard RH	1	A
-28	5276211-500		BOX ASSY, Upper outboard LH	1	A
	5276211-501		BOX ASSY, Upper outboard RH	1	A
-29	5277765-500		BOX ASSY, Upper inboard LH	1	A
	5277765-501		BOX ASSY, Upper inboard RH	1	A
-30	5275784		CHUTE ASSY, Case ejection	1	A
-31	2276217		CHUTE ASSY	4	A
	2276217-1		CHUTE ASSY	4	A
-32	4279852		CHUTE ASSY, Guns one and five	2	A
	4279851		CHUTE ASSY, Guns two and six	2	A
-33	4279848		CHUTE ASSY, Guns three and seven	2	A
	4279862		CHUTE ASSY	2	A
-34	4209704		MOUNT ASSY, Rear	8	A
-35	4209700		SUPPORT	8	A
-36	2209701		BUSHING	8	A
-37	AN960C1216		WASHER	8	A
-38	188740		NUT	8	A
	37B2675		MOUNT, Type C-2 LH	4	A
	37B2675-1		MOUNT, Type C-2 RH	4	A
-39	3275156		SUPPORT ASSY	1	A
			(ATTACHING PARTS)		
-40	AN10-62		BOLT	1	A
	AN960-1016		WASHER	1	A
	AN310-10		NUT	1	A
-41	AN6-30A		BOLT	2	A
	AN960-616		WASHER	2	A
	AN365-624		NUT	2	A
			--- * ---		
-42	3209772		MOUNT, LH	1	A
	3209772-1		MOUNT, RH	1	A
			(ATTACHING PARTS)		
-43	AN6-20A		BOLT	4	A
	AN960-616		WASHER	4	A
	AN365-624		NUT	4	A
-44	AN6-23A		BOLT	6	A
	AN960-616		WASHER	6	A
	AN365-624		NUT	6	A
-45	AN6-21A		BOLT	2	A
	AN960-616		WASHER	2	A
	AN365-624		NUT	2	A
			--- * ---		
-46	2276302		NUT	2	A

Section II
Group Assembly Parts List

T.O. 1B-26B-4

FIGURE & INDEX NO.	PART NO.	1	2	3	4	5	6	7	DESCRIPTION	UNITS PER ASSY	USABLE ON CODE
191-47	4275066								MOUNT (ATTACHING PARTS)	1	A
-48	AN5-34A AN365-524								BOLT NUT	2 2	A A
-49	44B11182								BRACKET, Trunion (ATTACHING PARTS)	8	A
-50	AN12-26 AN960-1216 AN310-12								BOLT WASHER NUT	8 8 8	A A A
-51	3209736								MOUNT (ATTACHING PARTS)	4	A
-52	AN6-54A AN365-624								BOLT NUT	8 8	A A
-53	4276065								TUBE ASSY, Blast	8	A
-54	3275605 3275605-1								BAG ASSY, Lower air seal LH BAG ASSY, Lower air seal RH	1 1	A A
-55	3275604 3275604-1								BAG ASSY, Center air seal LH BAG ASSY, Center air seal RH	1 1	A A
-56	3275603 3275603-1								BAG ASSY, Upper air seal LH BAG ASSY, Upper air seal RH (ATTACHING PARTS)	1 1	A A
	1029421-10-16 1029421-10-8 AN520-10R24 2275594 AN960-10L								SCREW SCREW SCREW SPOOL WASHER	AR AR AR 6 AR	A A A A A
-57	3276002 3276002-1								TUBE ASSY, Upper air seal TUBE ASSY, Upper air seal	1 1	A A
-58	4275998								PLATE ASSY (ATTACHING PARTS)	2	A
-59	AN3-15A 29 AN970-3 AN365-1032								BOLT SPRING (CSC) WASHER NUT	4 4 4 4	A A A A
<p>A This nose assembly is interchangeable on all aircraft. When installed the aircraft becomes a B series.</p>											

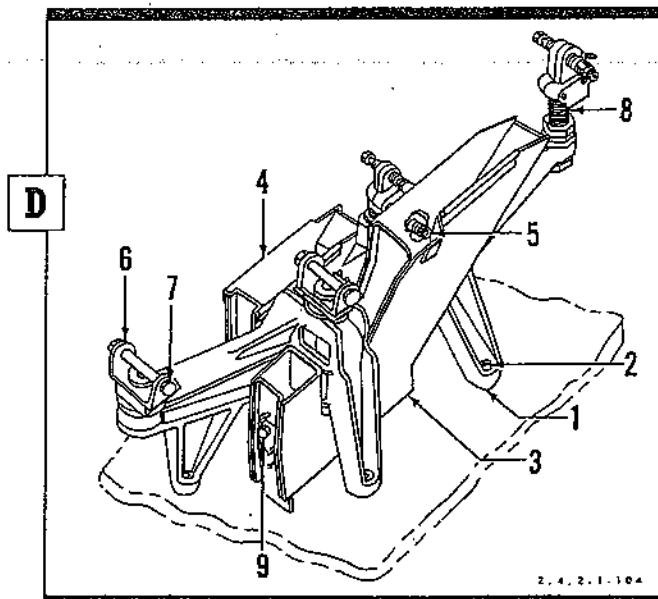
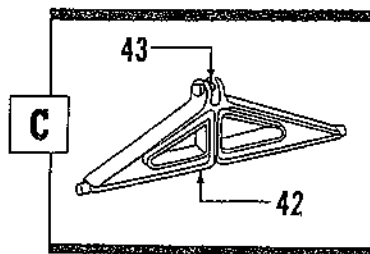
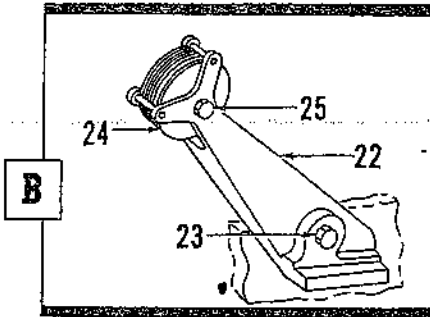
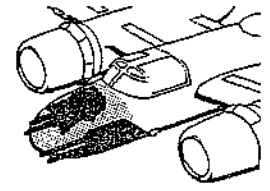
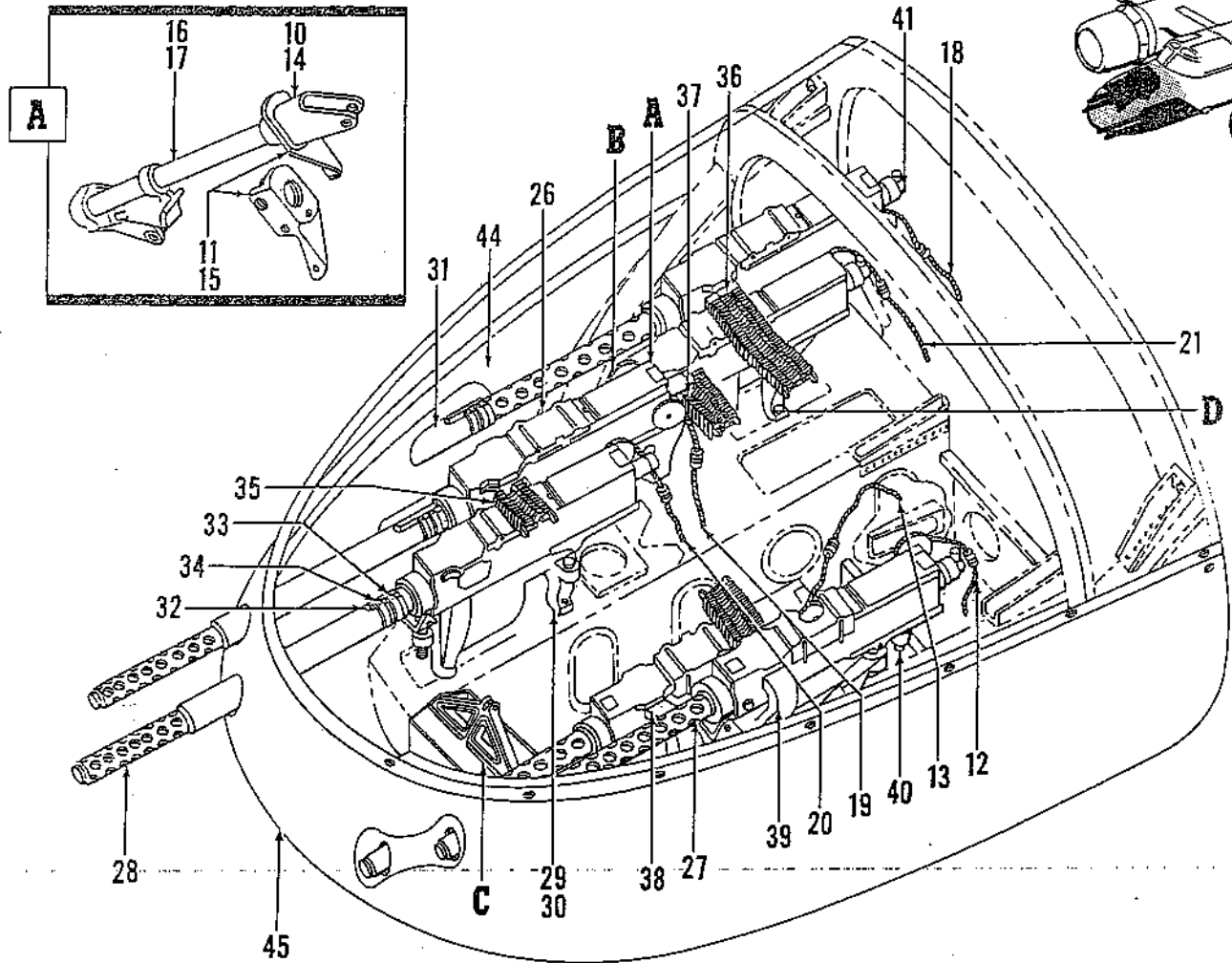


Figure 192. Fixed Gun Nose Installation

FIGURE INDEX NO.	PART NO.	DESCRIPTION							UNITS PER ASSY	USABLE ON CODE
		1	2	3	4	5	6	7		
10	8222514	NOSE MOUNT, Fixed gun (see para 42)							Ref	A
	8222515	GUN MOUNT ASSY, Caliber .50 LH							1	A
	1022168	GUN MOUNT ASSY, Caliber .50 RH							1	A
	8222518	GUN MOUNT, Caliber .50 LH							1	A
	8222519	GUN MOUNT, Caliber .50 RH							1	A
	8222520	(ATTACHING PARTS)								
	8222521	BOLT							4	A
	8222522	WASHER							4	A
	8222523	ROCKER ARM, LH gun's elevation, upper outboard LH							1	A
	8222524	ROCKER ARM, LH gun's elevation, upper outboard RH							1	A
	8222525	ROCKER ARM, RH gun's elevation, upper outboard LH							1	A
	8222526	ROCKER ARM, RH gun's elevation, upper outboard RH							1	A
	8222527	(ATTACHING PARTS)								
	8222528	ROCKER ARM, LH gun's elevation (GFP)							3	A
	8222529	ROCKER ARM, RH gun's elevation (GFP)							3	A
	8222530	ROCKER ARM, LH gun's elevation (GFP)							2	A
	8222531	ROCKER ARM, RH gun's elevation (GFP)							2	A
	8222532	ROCKERS							2	A
	8222533	ROCKERS							2	A
	8222534	ROCKERS							2	A
	8222535	ROCKERS							2	A
	8222536	ROCKERS							2	A
	8222537	ROCKERS							2	A
	8222538	ROCKERS							2	A
	8222539	ROCKERS							2	A
	8222540	ROCKERS							2	A
	8222541	ROCKERS							2	A
	8222542	ROCKERS							2	A
	8222543	ROCKERS							2	A
	8222544	ROCKERS							2	A
	8222545	ROCKERS							2	A
	8222546	ROCKERS							2	A
	8222547	ROCKERS							2	A
	8222548	ROCKERS							2	A
	8222549	ROCKERS							2	A
	8222550	ROCKERS							2	A
	8222551	ROCKERS							2	A
	8222552	ROCKERS							2	A
	8222553	ROCKERS							2	A
	8222554	ROCKERS							2	A
	8222555	ROCKERS							2	A
	8222556	ROCKERS							2	A
	8222557	ROCKERS							2	A
	8222558	ROCKERS							2	A
	8222559	ROCKERS							2	A
	8222560	ROCKERS							2	A
	8222561	ROCKERS							2	A
	8222562	ROCKERS							2	A
	8222563	ROCKERS							2	A
	8222564	ROCKERS							2	A
	8222565	ROCKERS							2	A
	8222566	ROCKERS							2	A
	8222567	ROCKERS							2	A
	8222568	ROCKERS							2	A
	8222569	ROCKERS							2	A
	8222570	ROCKERS							2	A
	8222571	ROCKERS							2	A
	8222572	ROCKERS							2	A
	8222573	ROCKERS							2	A
	8222574	ROCKERS							2	A
	8222575	ROCKERS							2	A
	8222576	ROCKERS							2	A
	8222577	ROCKERS							2	A
	8222578	ROCKERS							2	A
	8222579	ROCKERS							2	A
	8222580	ROCKERS							2	A
	8222581	ROCKERS							2	A
	8222582	ROCKERS							2	A
	8222583	ROCKERS							2	A
	8222584	ROCKERS							2	A
	8222585	ROCKERS							2	A
	8222586	ROCKERS							2	A
	8222587	ROCKERS							2	A
	8222588	ROCKERS							2	A
	8222589	ROCKERS							2	A
	8222590	ROCKERS							2	A
	8222591	ROCKERS							2	A
	8222592	ROCKERS							2	A
	8222593	ROCKERS							2	A
	8222594	ROCKERS							2	A
	8222595	ROCKERS							2	A
	8222596	ROCKERS							2	A
	8222597	ROCKERS							2	A
	8222598	ROCKERS							2	A
	8222599	ROCKERS							2	A
	8222600	ROCKERS							2	A
	8222601	ROCKERS							2	A
	8222602	ROCKERS							2	A
	8222603	ROCKERS							2	A
	8222604	ROCKERS							2	A
	8222605	ROCKERS							2	A
	8222606	ROCKERS							2	A
	8222607	ROCKERS							2	A
	8222608	ROCKERS							2	A
	8222609	ROCKERS							2	A
	8222610	ROCKERS							2	A
	8222611	ROCKERS							2	A
	8222612	ROCKERS							2	A
	8222613	ROCKERS							2	A
	8222614	ROCKERS							2	A
	8222615	ROCKERS							2	A
	8222616	ROCKERS							2	A
	8222617	ROCKERS							2	A
	8222618	ROCKERS							2	A
	8222619	ROCKERS							2	A
	8222620	ROCKERS							2	A
	8222621	ROCKERS							2	A
	8222622	ROCKERS							2	A
	8222623	ROCKERS							2	A
	8222624	ROCKERS							2	A
	8222625	ROCKERS							2	A
	8222626	ROCKERS							2	A
	8222627	ROCKERS							2	A
	8222628	ROCKERS							2	A
	8222629	ROCKERS							2	A
	8222630	ROCKERS							2	A
	8222631	ROCKERS							2	A
	8222632	ROCKERS							2	A
	8222633	ROCKERS							2	A
	8222634	ROCKERS							2	A
	8222635	ROCKERS							2	A
	8222636	ROCKERS							2	A
	8222637	ROCKERS							2	A
	8222638	ROCKERS							2	A
	8222639	ROCKERS							2	A
	8222640	ROCKERS							2	A
	8222641	ROCKERS							2	A
	8222642	ROCKERS							2	A
	8222643	ROCKERS							2	A
	8222644	ROCKERS							2	A
	8222645	ROCKERS							2	A
	8222646	ROCKERS							2	A
	8222647	ROCKERS							2	A
	8222648	ROCKERS							2	A
	8222649	ROCKERS							2	A
	8222650	ROCKERS							2	A
	8222651	ROCKERS							2	A
	8222652	ROCKERS							2	A
	8222653	ROCKERS							2	A
	8222654	ROCKERS							2	A
	8222655	ROCKERS							2	A
	8222656	ROCKERS							2	A
	8222657	ROCKERS							2	A
	8222658	ROCKERS							2	A
	8222659	ROCKERS							2	A
	8222660	ROCKERS							2	A
	8222661	ROCKERS							2	A
	8222662	ROCKERS							2	A
	8222663	ROCKERS							2	A
	8222664	ROCKERS							2	A
	8222665	ROCKERS							2	A
	8222666	ROCKERS							2	A
	8222667	ROCKERS							2	A
	8222668	ROCKERS							2	A
	8222669	ROCKERS							2	A
	8222670	ROCKERS							2	A
	8222671	ROCKERS							2	A
	8222672	ROCKERS							2	A
	8222673	ROCKERS							2	A
	8222674	ROCKERS							2	A
	8222675	ROCKERS							2	A
	8222676	ROCKERS							2	A
	8222677	ROCKERS							2	A
	8222678	ROCKERS							2	A
	8222679	ROCKERS							2	A
	8222680	ROCKERS							2	A
	8222681	ROCKERS							2	A
	8222682	ROCKERS							2	A
	8222683	ROCKERS							2	A
	8222684	ROCKERS							2	A
	8222685	ROCKERS							2	A
	8222686	ROCKERS							2	A
	8222687	ROCKERS							2	A
	8222688	ROCKERS							2	A
	8222689	ROCKERS							2	A
	8222690	ROCKERS							2	A
	8222691	ROCKERS							2	A
	8222692	ROCKERS							2	A
	8222693	ROCKERS							2	A
	8222694	ROCKERS							2	A
	8222695	ROCKERS							2	A
	8222696	ROCKERS							2	A
	8222697	ROCKERS							2	A
	8222698	ROCKERS							2	A
	8222699	ROCKERS							2	A
	8222700	ROCKERS							2	A
	8222701	ROCKERS							2	A
	8222702	ROCKERS							2	A
	8222703	ROCKERS							2	A
	8222704	ROCKERS							2	A
	8222705	ROCKERS							2	A
	8222706	ROCKERS							2	A
	8222707	ROCKERS							2	A
	8222708	ROCKERS							2	A
	8222709	ROCKERS							2	A
	8222710	ROCKERS							2	A
	8222711	ROCKERS							2	A
	8222712	ROCKERS							2	A
	8222713	ROCKERS							2	A
	8222714	ROCKERS							2	A
	8222715	ROCKERS							2	A
	8222716	ROCKERS							2	A
	8222717	ROCKERS							2	A
	8222718	ROCKERS							2	A
	8222719	ROCKERS							2	A
	8222720	ROCKERS							2	A
	8222721	ROCKERS							2	A
	8222722	ROCKERS							2	A
	8222723	ROCKERS							2	A
	8222724	ROCKERS							2	A
	8222725	ROCKERS							2	A
	8222726	ROCKERS							2	A
	8222727	ROCKERS							2	A
	8222728	ROCKERS							2	A
	8222729	ROCKERS							2	A
	8222730	ROCKERS							2	A
	8222731	ROCKERS							2	A
	8222732	ROCKERS							2	A
	8222733	ROCKERS							2	A
	8222734	ROCKERS							2	A
	8222735	ROCKERS							2	A
	8222736	ROCKERS							2	A
	8222737	ROCKERS							2	A
	8222738	ROCKERS							2	A
	8222739	ROCKERS							2	A
	8222740	ROCKERS							2	A
	8222741	ROCKERS							2	A
	8222742	ROCKERS							2	A
	8222743	ROCKERS							2	A
	8222744	ROCKERS							2	A
	8222745	ROCKERS							2	A
	8222746	ROCKERS							2	A
	8222747	ROCKERS							2	A
	8222748	ROCKERS							2	A
	8222749	ROCKERS							2	A
	8222750	ROCKERS							2	A
	8222751	ROCKERS							2	A
	8222752	ROCKERS							2	A
	8222753	ROCKERS							2	A
	822275									

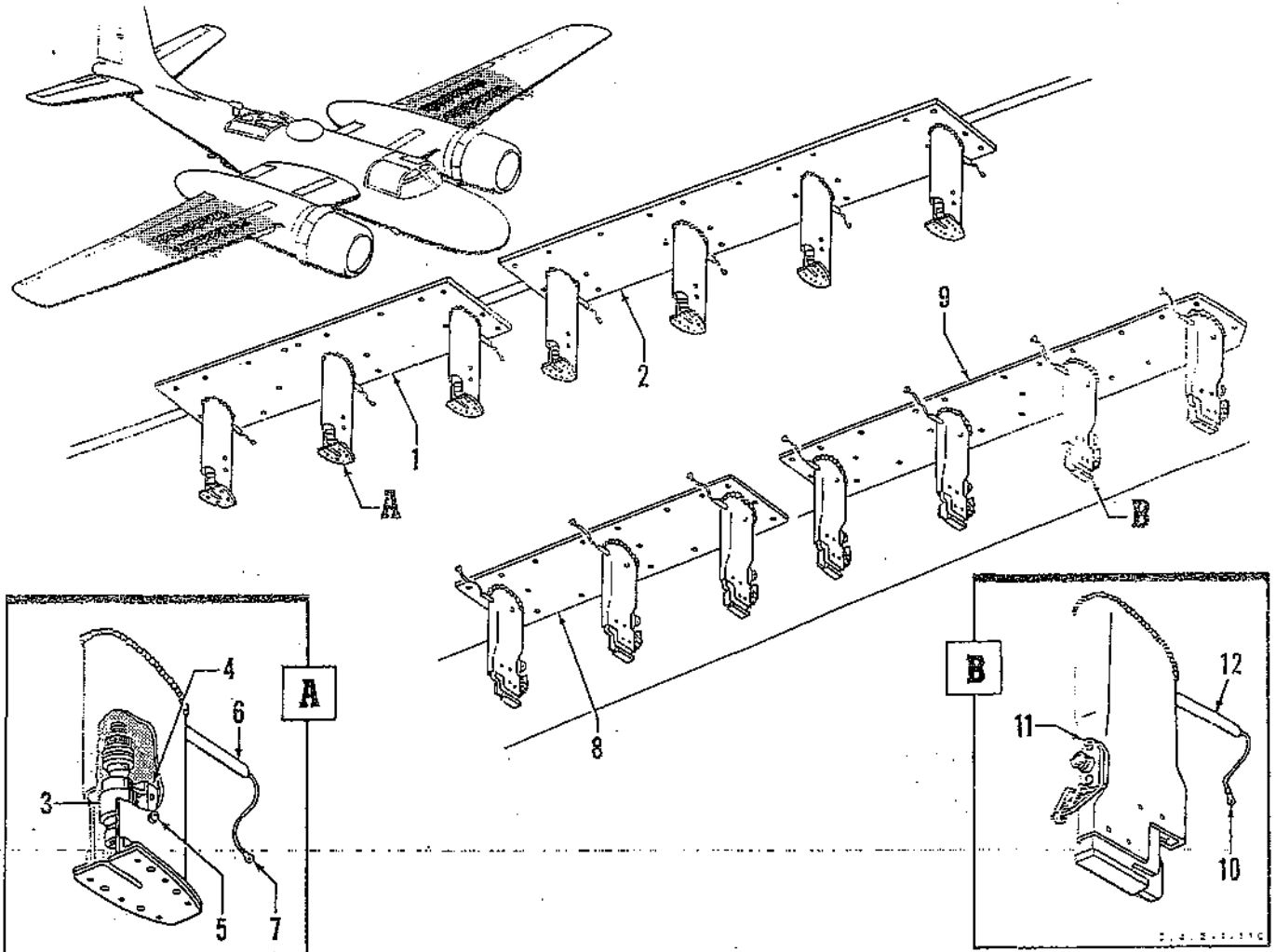


Figure 193. Zero Rail Rocket Launching Installation

FIGURE & INDEX NO.	PART NO.	DESCRIPTION	UNITS PER ASSY	USABLE ON CODE
193-	5276612	ROCKET LAUNCHING INSTL, Zero rail	1	A
	4276377	SUPPORT ASSY, Arming control and rocket front inboard LH	1	A
	4292352	SUPPORT ASSY, Arming control and rocket front inboard LH	1	C
	4276377-1	SUPPORT ASSY, Arming control and rocket front inboard RH	1	B
	4292352-1	SUPPORT ASSY, Arming control and rocket front inboard RH	1	C
	4276552	SUPPORT ASSY, Arming control and rocket front outboard LH	1	B
	4292359	SUPPORT ASSY, Arming control and rocket front outboard LH	1	C
	4276552-1	SUPPORT ASSY, Arming control and rocket front outboard RH	1	B
	4292359-1	SUPPORT ASSY, Arming control and rocket front outboard RH	1	C
-1	4276377-2	SUPPORT ASSY, Arming control and rocket front inboard LH	1	A
	4276377-3	SUPPORT ASSY, Arming control and rocket front inboard RH	1	A
-2	4276552-2	SUPPORT ASSY, Arming control and rocket front outboard LH	1	A
	4276552-3	SUPPORT ASSY, Arming control and rocket front outboard RH	1	A
		(ATTACHING PARTS)		
	1029421-10-16	SCREW	AR	A
	B-223	SCREW, Plug	AR	A
	1029421-10-8	SCREW	AR	A
-3	43B9887	CONTROL ASSY, Bomb arming type AN-A2	14	A
-4	2276375	SPACER, Rocket front support arming control	AR	A
-5	AN526-832R7	SCREW	AR	A
-6	2277699	INSULATOR, Zero rail rocket support electric wiring	AR	A
-7	A36G	LUG, Stakon (TDM)	AR	A
	3276516	SUPPORT ASSY, Arming control and rocket rear inboard LH	1	C
	3276516-1	SUPPORT ASSY, Arming control and rocket rear inboard RH	1	C
	3276629	SUPPORT ASSY, Arming control and rocket rear outboard LH	1	B

Section II
Group Assembly Parts List

T.O. 1B-26B-4

FIGURE & INDEX NO.	PART NO.	DESCRIPTION							UNITS PER ASSY	USABLE ON CODE
		1	2	3	4	5	6	7		
193-	3292354	SUPPORT ASSY, Arming control and rocket rear outboard LH.....							1	C
	3276629-1	SUPPORT ASSY, Arming control and rocket rear outboard RH.....							1	B
	3292354-1	SUPPORT ASSY, Arming control and rocket rear outboard RH..... (ATTACHING PARTS)							1	C
	1029421-10-10	SCREW.....							AR	A
	1029431-10-8 B-223	SCREW..... SCREW, Plug.....							AR AR	A A
-8	3276516-2	SUPPORT ASSY, Arming control and rocket rear inboard LH.....							1	A
	3276516-3	SUPPORT ASSY, Arming control and rocket rear inboard RH.....							1	A
-9	3276629-2	SUPPORT ASSY, Arming control and rocket rear outboard LH.....							1	A
	3276629-3	SUPPORT ASSY, Arming control and rocket rear outboard RH.....							1	A
		CUTTER ASSY, Rocket wire.....							14	A
		(ATTACHING PARTS)								
	AN526-832R10	SCREW.....							AR	A
	AN960-8	WASHER.....							AR	A
	AN365-832	NUT.....							AR	A
-10	A36G	LUG, Stakon (TOM).....							AR	A
-11	Q237	JACK, Plug (TOM).....							AR	A
-12	2277699	INSULATOR, Zero rail rocket support electric wiring.....							AR	A
		A USAF 44-34333 thru 44-35197 44-35683 thru 44-36797								
		B Applicable to B-26B airplanes only								
		C Applicable to B-26B and B-26C airplanes								

ARMAMENT

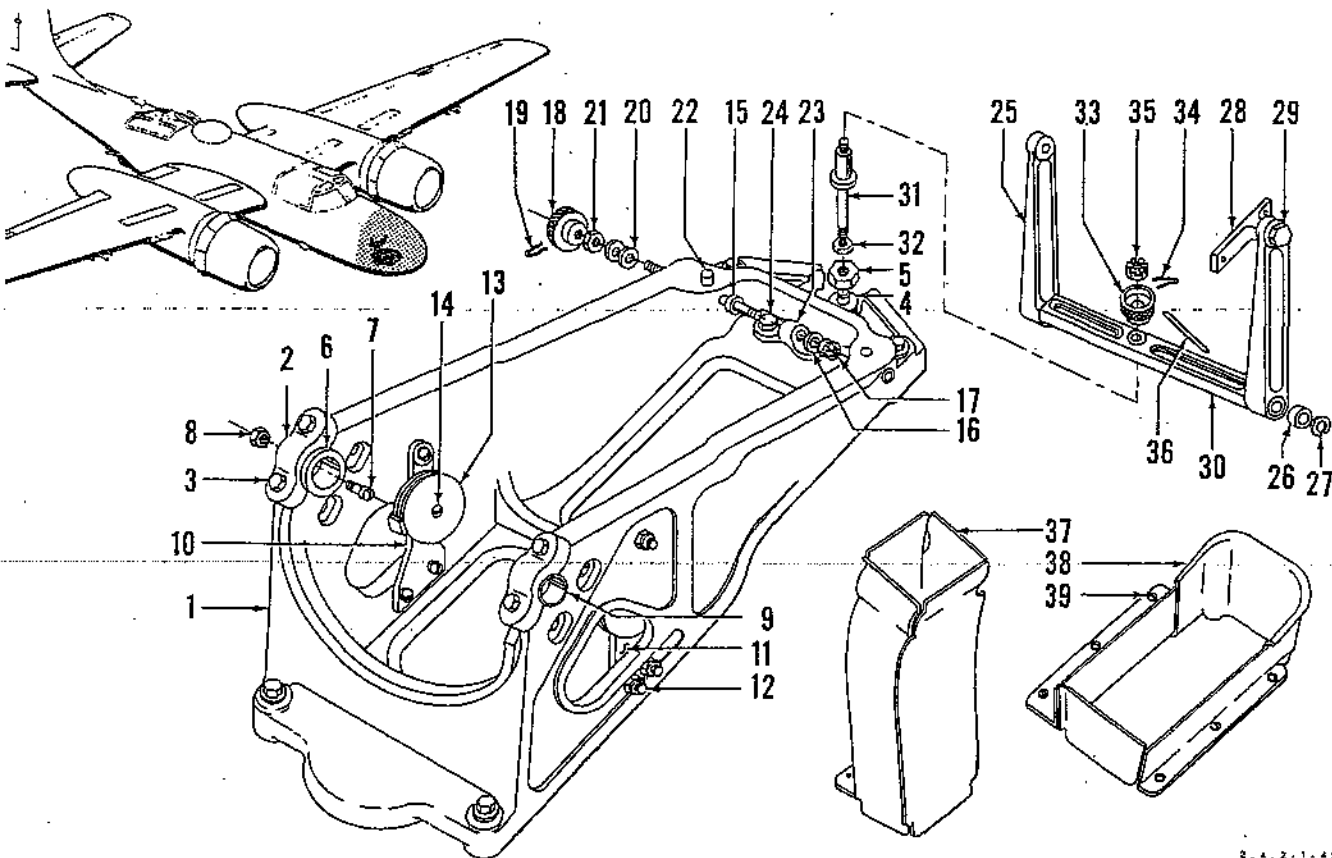


Figure 194. Complete 37MM Gun LH and RH Mount Assembly

FIGURE & INDEX NO.	PART NO.	1 2 3 4 5 6 7	DESCRIPTION	UNITS PER ASSY	USABLE ON CODE
194-	5203285		MOUNT ASSY, Complete 37 mm gun LH (see figure 195)	Ref	A
	5202562		MOUNT ASSY, Complete 37 mm gun RH (see figure 195)	Ref	A
	5143291		MOUNT ASSY, Cannon	1	A
-1	5143291-2		MOUNT, Cannon	1	A
-2	5143291-4		CAP, Cannon mount	2	A
			(ATTACHING PARTS)		
-3	AN5-26A		BOLT	2	A
	AN940-516		WASHER	2	A
	AN365-524		NUT	2	A
			-----*		
-4	1143491		BUSHING, Elevating screw	1	A
-5	1143591		NUT, Elevating screw bushing	1	A
-6	1143561		BUSHING, Cannon support adjusting trunnion	1	A
-7	1143732		SCREW, Cannon mount trunnion lock	1	A
-8	AN316-SR		NUT	1	A
-9	1143590		BUSHING, Cannon support trunnion	1	A
-10	4202243		BRACKET, Gun front charge pulley RH (used on 5202562)	1	A
-11	4202175		BRACKET, Feeb pulley forward RH	1	A
			(ATTACHING PARTS)		
-12	AN23-19A		BOLT (Used on 5202562)	3	A
	AN365-1032		NUT (Used on 5202562)	3	A
			-----*		
-13	AN210-2A		PULLEY (Used on 5202562)	2	A
			(ATTACHING PARTS)		
-14	AN23-19		BOLT	2	A
	AN320-3		NUT	2	A
			-----*		
-15	2143356		SCREW, Horizontal adjusting	1	A
-16	2033901-118		SPACER, Coded bar	1	A
	406-006		NUT	1	A
-17	AN310-6		KNOB, Horizontal adjusting	1	A
-18	1202560		PIN	1	A
-19	146142-156-028		PIN	1	A
-20	945-6		WASHER (USAF Standard)	2	A
-21	AN316-6R		NUT	1	A
-22	1202563		NUT, Horizontal adjusting	1	A
-23	2143354		BRACKET, Horizontal adjusting	1	A
			(ATTACHING PARTS)		
-24	AN4-10A		BOLT	2	A
			-----*		
-25	4143406		LINK, Cannon support rear	1	A
			(ATTACHING PARTS)		
-26	1059608C625-1250-125		BUSHING, Steel	2	A
-27	NASS1-62		RING	2	A
			-----*		
-28	2143696		FITTING, Cannon support rear link	1	A
			(ATTACHING PARTS)		
-29	1143695		SCREW, Cannon support rear link	1	A
			-----*		
-30	4143416		ARM, Cannon support cross rear	1	A
-31	1143697		SCREW, Elevating	1	A
-32	AN316-10R		NUT	1	A
-33	1202558		KNOB, Elevating	1	A
-34	146142-156-020		PIN	1	A
-35	AN320-8		NUT	1	A
-36	1202559		WRENCH, Elevator knob	1	A
-37	4143411		CHUTE ASSY, Cannon link ejection upper	1	A
-38	4143412		ADAPTER ASSY, Cannon case ejection LH	1	A
	4143412-1		ADAPTER ASSY, Cannon case ejection RH	1	A
-39	ANS26-10-8		SCREW	6	A

A These parts are furnished in kit form for installation of 37mm cannon on B-26B airplanes.

Section II
Group Assembly Parts List

T.O. 1B-26B-4
ARMAMENT

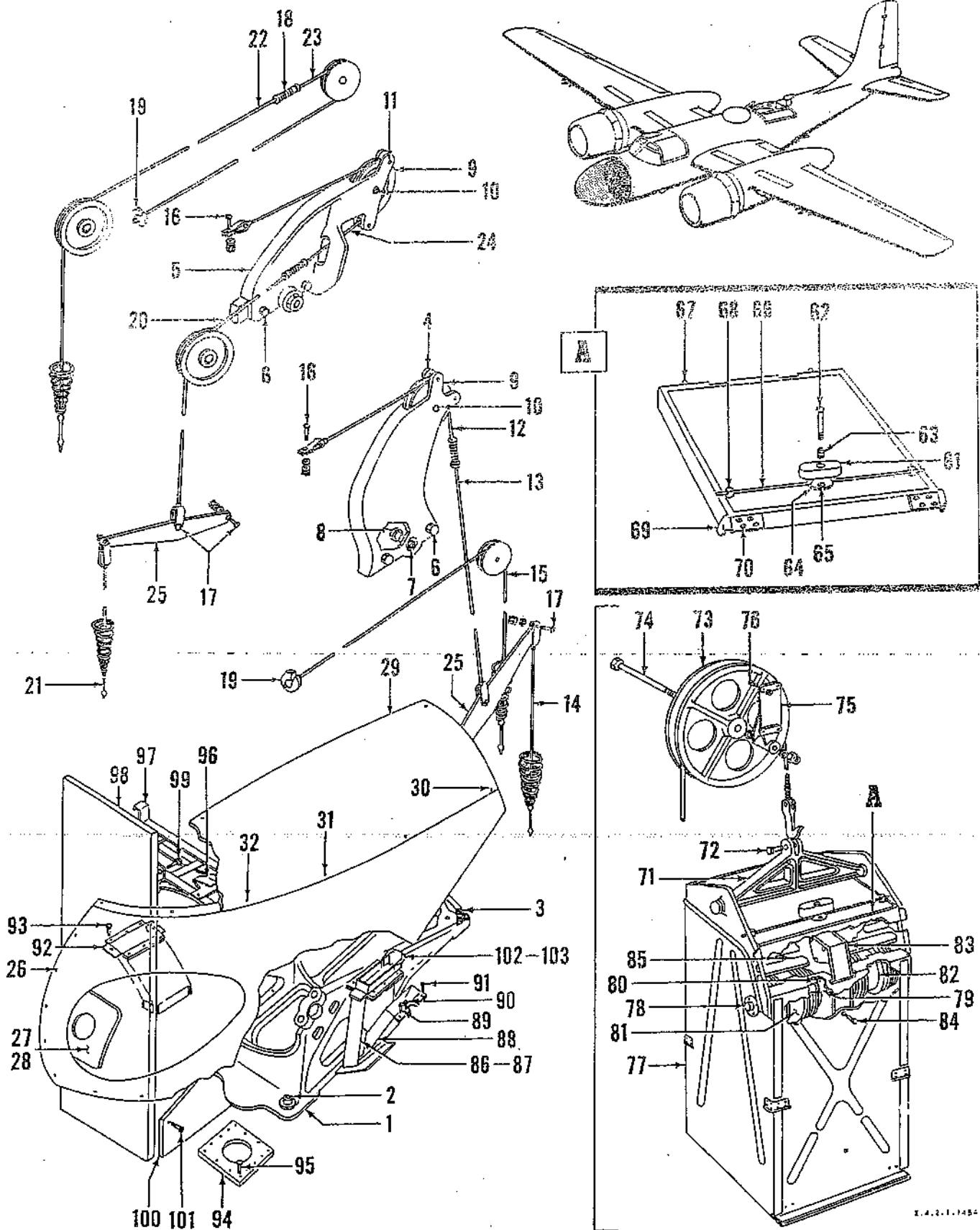


Figure 195. Gun Nose Ammunition Box, Track Hoist and 37MM Cannon Kit Installation (Sheet 1 of 2)

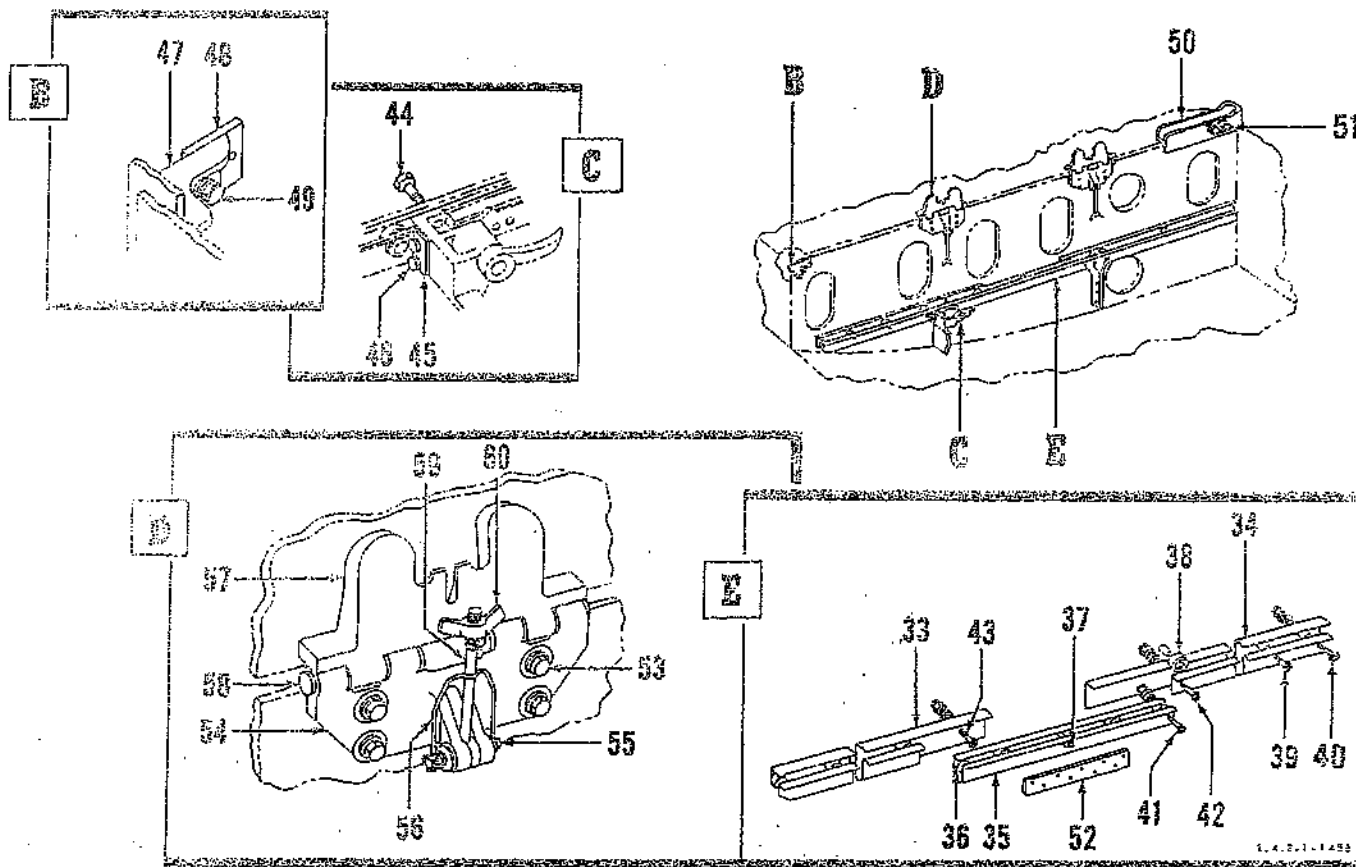


Figure 195. Gun Nose Ammunition Box, Track Hoist and 37MM Cannon Kit Installation (Sheet 2 of 2)

FIGURE & INDEX NO.	PART NO.	1 2 3 4 5 6 7	DESCRIPTION	UNITS PER ASSY	USABLE ON CODE
195-			GUN NOSE AMMUNITION BOX, TRACK, HOIST AND 37 mm CANNON KIT INSTL		
-1	5206466		KIT ASSY INSTL, 37mm (see figure 2)	1	A
	5203285		MOUNT ASSY, Complete 37 mm gun LH (see figure 194)	1	A
	5202562		MOUNT ASSY, Complete 37 mm gun RH (see figure 194)	1	A
-2	1206171-4		(ATTACHING PARTS)	2	A
	1143737		BOLT	2	A
-3	1206171-6		WASHER	2	A
	1143737		BOLT	2	A
			WASHER	2	A
	5202547		GUN FEED AND CHARGER INSTL, 37 mm LH	1	A
-4	5202582		GUN FEED AND CHARGER INSTL, 37 mm RH	1	A
-5	5202284		BRACKET ASSY, Gun feed pulley LH	1	A
	5202231		BRACKET ASSY, Gun feed pulley rear RH	1	A
-6	175000-7S07-B-008		(ATTACHING PARTS)	4	A
			BOLT, Special	4	A
-7	1202390		NUT, Feed pulley bracket	2	A
-8	1143695		SCREW, Cannon support rear link	2	A
-9	AN210-2A		PULLEY	2	A
-10	AN23-17		(ATTACHING PARTS)	1	A
	AN960-10		BOLT	1	A
	AN310-3		WASHER	1	A
			NUT	1	A
-11	1160830-100		PIN	2	A
-12	4202517-2		CABLE ASSY (Used on 5202547)	1	A
-13	4202517-4		CABLE ASSY (Used on 5202547)	1	A
-14	4202517-6		CABLE ASSY (Used on 5202547)	1	A
-15	4202517-32		CABLE ASSY (Used on 5202547)	1	A
-16	AN23-10		BOLT	2	A
	AN960-10		WASHER	2	A
	AN310-3		NUT	2	A
-17	AN23-9		BOLT	6	A

Section II
Group Assembly Parts List

T.O. 1B-26B-4

FIGURE & INDEX NO.	PART NO.	1	2	3	4	5	6	7	DESCRIPTION	UNITS PER ASSY	USABLE ON CODE
195-	AN960-10								WASHER	6	A
	AN310-3								NUT	6	A
-18	RA2259								TRU-LOG "QUICKIE" (ACA)	3	A
-19	1205772								PLUG, 37 mm manual charger plunger inner	2	A
-20	4202517-10								CABLE ASSY (Used on 5202582)	1	A
-21	4202517-12								CABLE ASSY (Used on 5202582)	1	A
-22	4202517-14								CABLE ASSY (Used on 5202582)	1	A
-23	4202517-30								CABLE ASSY (Used on 5202582)	1	A
-24	4202517-8								CABLE ASSY (Used on 5202582)	1	A
-25	2202326								LEVER, Gun feed lower	2	A
	5202573								PANEL ASSY 37 mm gun nose door LH	1	A
	5202572								PANEL ASSY, 37 mm gun nose door RH	1	A
									(ATTACHING PARTS)		
-26	98FS7-17								STUD, Cowl fastener (SLK)	12	A
	98-7CP12								PIN, Stud (SLK)	12	A
									PLATE (Used on 5202573)	1	A
	4203449								PLATE (Used on 5202572)	1	A
									(ATTACHING PARTS)		
-28	AN507C428R10								SCREW (formerly 10857108S416-10)	4	A
									DOOR ASSY, Fuselage nose access upper LH	1	A
	5143948								DOOR ASSY, Fuselage nose access upper RH	1	A
	5143948-1								(ATTACHING PARTS)		
-30	98FS7-23								STUD, Cowl fastener (SLK)	2	A
	98-7CP12								PIN, Stud (SLK)	2	A
-31	98FS7-16								STUD, Cowl fastener (SLK)	6	A
	98-7CP12								PIN, Stud (SLK)	6	A
-32	98FS7-18								STUD, Cowl fastener (SLK)	4	A
	98-7CP12								PIN, Stud (SLK)	4	A
									TRACK INSTL, Ammunition box (see figure 42)	Ref	A
-33	5143748								TRACK, Ammunition box forward LH	1	A
	2202195								TRACK, Ammunition box forward RH	1	A
	2202195-1								TRACK, Ammunition box aft LH	1	A
-34	2202196								TRACK, Ammunition box aft RH	1	A
	2202196-1								TRACK, Ammunition box center LH	1	A
-35	4202194								TRACK, Ammunition box center RH	1	A
	4202194-1								ROLLER, Ammunition box	3	A
-36	1143622								SCREW	3	A
-37	AN525-416-16								SPACER, OD bearing	3	A
	1026614G4-016								NUT	3	A
	AN364-428								ROLLER, Ammunition box	16	A
-38	1143622								SCREW	4	A
-39	AN525-416-18								SPACER, OD bearing	4	A
	1026614G4-016								WASHER	4	A
	AN960D416								NUT	4	A
	AN364-428								SCREW	10	A
-40	AN525-416-20								SPACER, OD bearing	10	A
	1026614G4-016								WASHER	10	A
	AN960D416								NUT	10	A
	AN364-428								SCREW	2	A
-41	AN525-416-26								SPACER, OD bearing	2	A
	1026614G4-016								WASHER	2	A
	AN960D416								NUT	2	A
	AN364-428								SCREW	2	A
-42	AN525-416-28								SPACER, OD bearing	2	A
	1026614G4-016								WASHER	2	A
	AN960D416								NUT	2	A
	AN364-428								SCREW	4	A
-43	1029421-10-10								WASHER	4	A
	AN960D10								NUT	4	A
	AN365-1032								BOLT	2	A
-44	AN3-5A								WASHER	2	A
	AN960D10								NUT	2	A
	AN365-1032								CLIP, Ammunition box track support LH	1	A
-45	2203990								CLIP, Ammunition box track support RH	1	A
	2203990-1								(ATTACHING PARTS)		
-46	AN3-4A								BOLT	2	A
	AN960D10								WASHER	2	A
	AN365-1032								NUT	2	A
									STOP, Ammunition box retainer forward LH	1	A
-47	2203507								STOP, Ammunition box retainer forward RH	1	A
	2203507-1								(ATTACHING PARTS)		
-48	1203505								BLOCK, Ammunition box retainer spacer	1	A
-49	AN4-7A								BOLT	2	A
	124682-4S10-035								WASHER	4	A
	AN365-428								NUT	2	A
									STOP, Ammunition box retainer aft LH	1	A
-50	2203506								STOP, Ammunition box retainer aft RH	1	A
	2203506-1								(ATTACHING PARTS)		
-51	AN74-5								BOLT	2	A
	124682-4S10-035								WASHER	4	A
-52	1205505								PLATE, Ammunition box guide	2	A

Group Assembly Parts List

FIGURE & INDEX NO.	PART NO.	1	2	3	4	5	6	7	DESCRIPTION	UNITS PER ASSY	USABLE ON CODE
193-	4202587								RETAINER ASSY, Ammunition box (ATTACHING PARTS)	4	A
-53	AN3-6A								BOLT	4	A
	AN960D10								WASHER	4	A
	124682-3S10-035								WASHER	4	A
	AN365-1032								NUT	4	A
-54	4202588								PLATE, Ammunition box retainer attaching	1	A
-55	AN393-45								PIN	1	A
	AN960-10								WASHER	2	A
-56	2208750								SPRING	1	A
-57	4202589								HINGE, Ammunition box retainer	1	A
-58	AN393-59								PIN	2	A
	AN960-10								WASHER	2	A
	4202587-2								BOLT ASSY, Ammunition box retainer	1	A
-59	1203508								BOLT, Ammunition box retainer eye	1	A
-50	AN350-4								NUT	1	A
	5143620								COVER ASSY, Ammunition box	2	A
-61	1203444								HANDLE, Ammunition box cover (ATTACHING PARTS)	1	A
-62	AN525-416-32								SCREW	1	A
-63	1203497								SPRING, Ammunition box cover latch	1	A
-64	1203490								PLATE, Ammunition box cover latch (ATTACHING PARTS)	1	A
-65	1114189A10-10								SCREW	2	A
-66	1203491								ROD, Ammunition box cover latch	2	A
-67	1203489								STUD, Ammunition box cover	2	A
-68	1203445								GUIDE, Ammunition box cover	2	A
-69	1206537								CLIP, Ammunition box cover (ATTACHING PARTS)	2	A
-70	1114189A6-10								SCREW	4	A
-71	4202188								SLING, Ammunition box hoist	1	A
-72	AN396-3S								PIN	1	A
	5202527								BOX AND HOIST INSTL, Ammunition (see figure 42)	Ref	A
-73	4202518								PULLEY, Ammunition hoist (ATTACHING PARTS)	1	A
-74	AN8-41A								BOLT	1	A
	AN960D816								WASHER	2	A
	AN365-820								NUT	1	A
-75	4143922								BRACKET, Ammunition hoist pulley (ATTACHING PARTS)	1	A
-76	AN3-7A								BOLT	4	A
-77	5143563								BOX ASSY, All purpose nose ammunition (two used on 37 mm cannon instl)	3	A
-78	1143755								TUBE, Ammunition roller support	3	A
-79	1202526								SPACER, Ammunition roller	3	A
-80	AN530-10-8								SCREW	8	A
-81	62001								ROLLER, Ammunition (MUF)	3	A
-82	62002								ROLLER, Ammunition (MUF)	3	A
-83	5143680								PARTITION ASSY, Ammunition box	3	A
-84	AN4-7A								BOLT	12	A
-85	2205379								GUIDE	4	A
	5202511								EJECTION CHUTES INSTL, All purpose gun nose fixed	1	A
-86	4143709								CHUTE ASSY, Cannon case lower ejection LH	1	A
	4143709-1								CHUTE ASSY, Cannon case lower ejection RH (ATTACHING PARTS)	1	A
-87	AN525-10-8								SCREW	8	A
-88	4143694								CHUTE ASSY, Cannon link lower ejection (ATTACHING PARTS)	2	A
-89	AN525-10-8								SCREW	1	A
-90	AN525-10-10								SCREW	2	A
-91	AN3-4								BOLT	1	A
-92	4143727								CHUTE ASSY, Forward lower ejection (ATTACHING PARTS)	2	A
-93	AN525-10-8								SCREW	8	A
-94	2143473								PLATE, Nose gun mount attaching shear (ATTACHING PARTS)	2	A
-95	AN525-416-20								SCREW	14	A
	AN365-428								NUT	14	A
-96	2206539								CLIP, 37 mm ammunition guide	4	A
-97	3206538								GUIDE ASSY, 37 mm ammunition	2	A
-98	3205563								PLATE ASSY, Gun nose armor (ATTACHING PARTS)	1	A
-99	AN4-6A								BOLT	4	A
-100	3205561								PLATE, Gun nose deflector LH	1	A
	3205561-1								PLATE, Gun nose deflector RH	1	A

Group Assembly Parts List

FIGURE & INDEX NO.	PART NO.	1	2	3	4	5	6	7	DESCRIPTION	UNITS PER ASSY	USABLE ON CODE
195-101	ANS25-416-14								(ATTACHING PARTS) SCREW	5	A
-102	4143412 4143412-1								ADAPTER ASSY, 37 mm LH ADAPTER ASSY, 37 mm RH	1 1	A A
-103	ANS26-10-8								(ATTACHING PARTS) SCREW	3	A
<p>A These parts are furnished in kit form for installation of 37mm cannon and 50 caliber machine guns on B-26B airplanes.</p>											

ARMAMENT

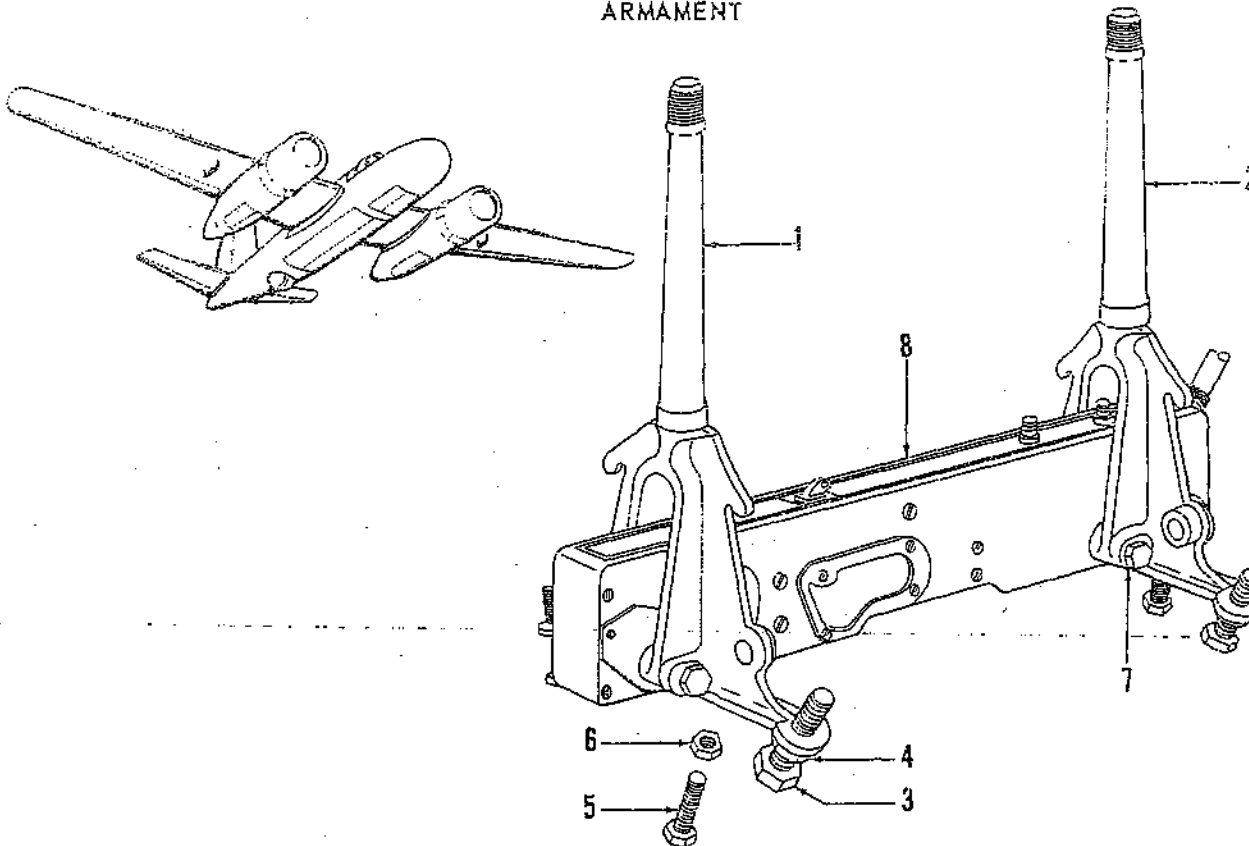


Figure 196. Wing Bomb Rack Installation

FIGURE & INDEX NO.	PART NO.	1	2	3	4	5	6	7	DESCRIPTION	UNITS PER ASSY	USABLE ON CODE
196-	5153278								BOMB RACK INSTL, Wing (see figure 178)	Ref	
-1	5193186								SUPPORT, Outboard wing bomb rack forward	4	D
	5276318								SUPPORT, Outboard wing bomb rack forward	4	E
-2	5193189								SUPPORT, Outboard wing bomb rack rear	4	D
	5276317								SUPPORT, Outboard wing bomb rack rear	4	E
-3	110242-8-14H								BOLT	16	
-4	AN316-8R								NUT	16	
-5	110242-4-12H								BOLT	16	
-6	AN316-4R								NUT	16	
-7	AN5-35								BOLT	8	
	AN960C516								WASHER	8	
	AN320-5								NUT	8	
-8	G1750-500								RACK ASSY, Bomb (NMPA)	4	A
	G1750								RACK ASSY, Bomb (NMPA) (see T.O. 11B29-3-1-1)	4	B
	44G4996								RACK ASSY, Bomb electric type S1 (see T.O. 11B29-3-5-1) (GFE)	1	C
<p>A USAF 41-39100 thru 41-39134 D USAF 41-39100 thru 41-39599 43-22252 thru 43-22436 44-34098 thru 44-34217 43-22466 thru 43-22531 43-22252 thru 43-22751 B USAF 41-39140 thru 41-39599 44-35198 thru 44-35937 43-22437 thru 43-22466 E USAF 44-34218 thru 44-35197 43-22532 thru 43-22751 44-35938 thru 44-36797 C USAF 44-34098 thru 44-36797</p>											

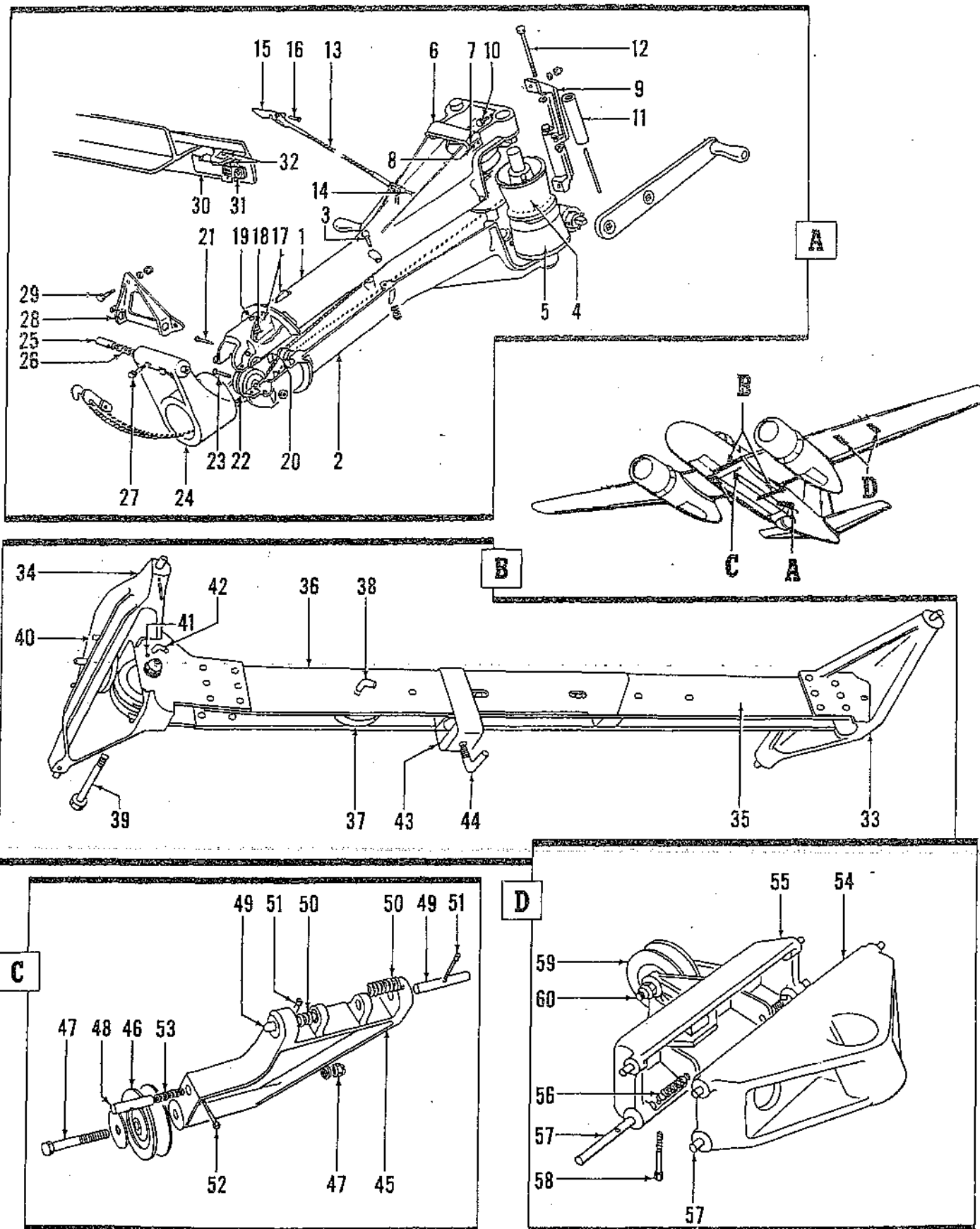


Figure 197. Bomb Hoist Installation

Group Assembly Parts List

FIGURE & INDEX NO.	PART NO.	1 2 3 4 5 6 7	DESCRIPTION	UNITS PER ASSY	USABLE ON CODE
197-	5122275		BOMB HOIST INSTL (see figure 178)	Ref	
	5122277		HOIST ASSY, Bomb (see figure 200)	1	
-1	5125606-2		HOUSING ASSY, Bomb hoist upper	1	
-2	5125606-4		HOUSING ASSY, Bomb hoist lower (ATTACHING PARTS)	1	
-3	AN3-6A		BOLT	8	
	AN960D10		WASHER	8	
	AN365-1032		NUT	8	
	5152260		WINDLASS, Demolition bomb hoist LH	1	
	5152260-1		WINDLASS, Demolition bomb hoist RH	1	
-4	2151697		DRUM, Demolition bomb hoist windlass (reworked 35G3435) (GFP)	1	
-5	36H5311		HOIST ASSY, Bomb type C3 (GFP)	1	
	1151470		CLAMP, Demolition bomb hoist cable (ATTACHING PARTS)	1	
	AN365-428		NUT	1	
-6	5122277-2		HANDLE, Bomb hoist	1	
-7	5122277-4		PLATE, Bomb hoist handle (ATTACHING PARTS)	2	
-8	AN515-6-12		SCREW	2	
	AN960-10		WASHER	2	
	AN365-632		NUT	2	
-9	5123455		SUPPORT, Bomb hoist roller (ATTACHING PARTS)	1	
-10	AN4DD6A		BOLT	2	
	AN960D416		WASHER	2	
	AN365D428		NUT	2	
-11	1151354		ROLLER ASSY, Bomb hoist cable (ATTACHING PARTS)	2	
-12	AN3-42		BOLT	1	
	AN960-516		WASHER	2	
	1026614G3-229		SPACER	1	
	AN320-3		NUT	1	
-13	2158542		CABLE ASSY, Bomb hoist supporting (ATTACHING PARTS)	1	
-14	AN393-25		PIN	1	
-15	1156780		FITTING	1	
-16	AN393-13		PIN	1	
-17	2123217		LEVER	1	
-18	1122812		SPRING	1	
-19	1122811		PIN	1	
-20	FL3C6		BEARING, Ball (FAF) (ATTACHING PARTS)	2	
-21	AN393-47		PIN	2	
	AN960C10		WASHER	2	
-22	1125947		PULLEY ASSY (ATTACHING PARTS)	2	
-23	AN395-51		PIN	1	
	AN960C516		WASHER	1	
-24	4155968		SOCKET ASSY, Lower bomb hoist support	1	
	5128478		SOCKET, Lower bomb hoist support	1	
-25	1128730		PIN	2	
-26	1128731		SPRING	1	
-27	1150403		PIN	2	
	5128556		BRACKET INSTL, Bomb hoist support	1	
-28	4128221		BRACKET (ATTACHING PARTS)	2	
-29	AN4-10A		BOLT	3	
	AN960-416		WASHER	3	
	AN365-428		NUT	3	
-30	1156779		LATCH (ATTACHING PARTS)	2	
-31	1087510-10-10		SCREW	1	
	NAS43HT3-06		SPACER (formerly 117425-3S003)	1	
	AN364-1032		NUT	1	
-32	1156778		SPRING	2	
	AN960D416		WASHER	2	
	5125787		BEAM ASSY, Bomb hoist	1	
-33	5125784		SUPPORT ASSY, RH	1	
-34	5125785		SUPPORT ASSY, LH	1	
-35	5125782		CHANNEL ASSY, RH	1	
-36	5125783		CHANNEL ASSY, LH	1	
-37	1125947		PULLEY ASSY (ATTACHING PARTS)	4	

FIGURE & INDEX NO.	PART NO.	DESCRIPTION							UNITS PER ASSY	USABLE ON CODE
		1	2	3	4	5	6	7		
197-38	1127618								2	
-39	AN5-33A								1	
	AN960CS16								2	
	AN365-324								1	
				*						
-40	AN393-43								2	
-41	2126687								1	
-42	125522								3	
-43	2129389								1	
-44	1150466								1	
	1150465								1	
	5127966								1	
	5127967								1	
-45	4127542								1	
-46	1125947								1	
-47	AN5-21								1	
	AN960-516								1	
	AN970-5								1	
	AN310-5								1	
				*						
-48	1127684								1	
-49	1127686								1	
-50	1127685								1	
-51	1125952								2	
-52	1150403								1	
-53	1127683								2	
	5125686								1	
	5125683								1	
-54	5125684								1	
-55	5125685								2	
-56	1125953								2	
-57	1125950								2	
-58	1125952								1	
-59	1125947									
-60	AN5-15								1	
	AN960D516								1	
	AN310-5								1	
				*						

Section II
Group Assembly Parts List

T.O. 1B-26B-4
ARMAMENT

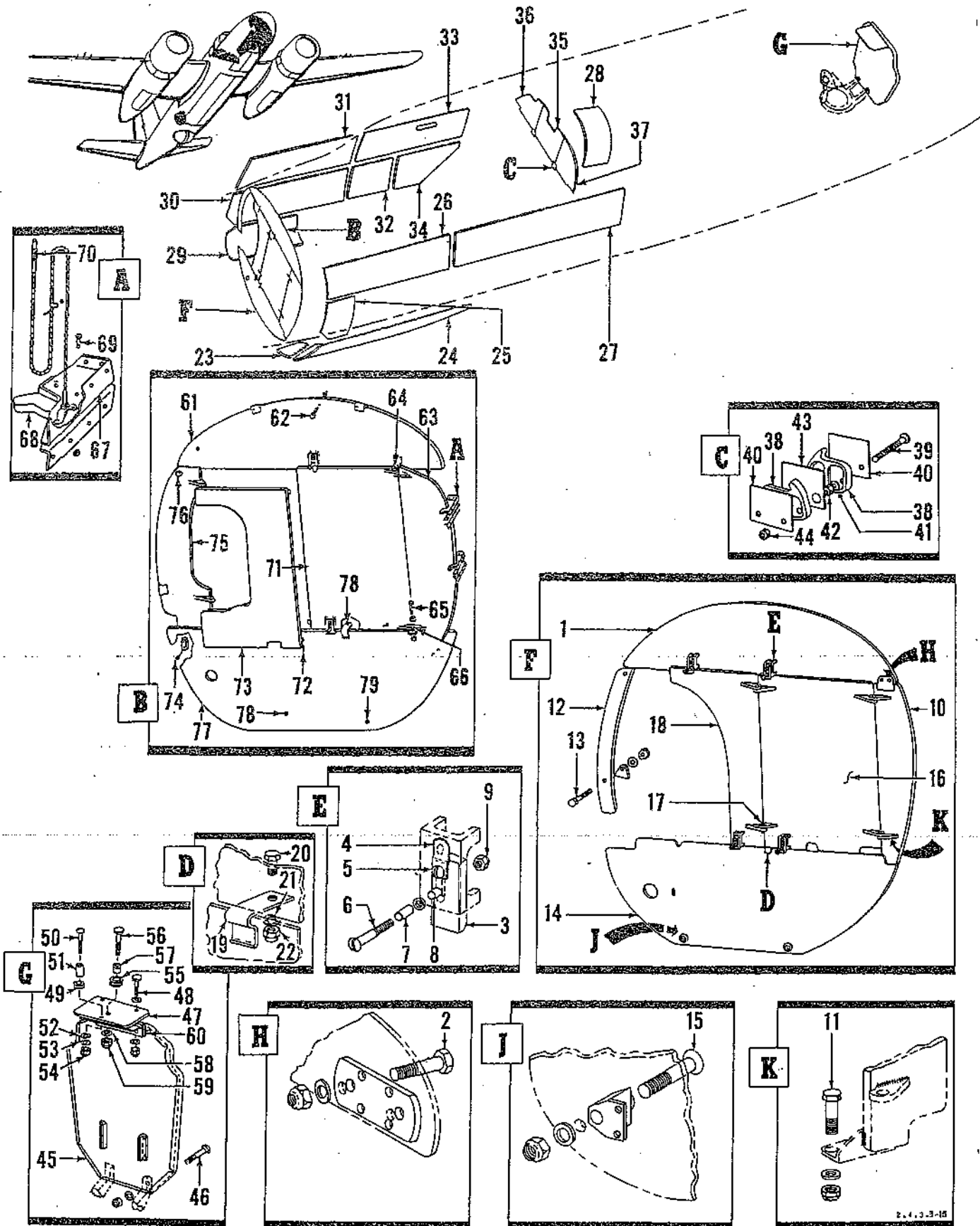


Figure 198. Fuselage Armor Plate Installation

FIGURE & INDEX NO.	PART NO.	1	2	3	4	5	6	7	DESCRIPTION	UNITS PER ASSY	USABLE ON CODE
198*	5157317	ARMOR PLATE INSTL, Fuselage							1		
	5203237	ARMOR PLATE INSTL, Fuselage sta 0 all purpose							1		B
-1	3203258	PLATE ASSY, Armor sta 0 upper (ATTACHING PARTS)							1		B
-2	AN4-13A	BOLT							2		B
	AN960-416	WASHER							2		B
	1203487	SPACER							1		B
	AN365-428	NUT							2		B
	2193681	ARMOR LATCH INSTL, Sta 0							1		
-3	2193681-2	PIN, Armor latch sta 0							AR		
-4	1193859	SPRING							AR		
-5	AN520-10R14	SCREW (formerly 1027300-10-14)							AR		
-6	AN520-10R24	SCREW (formerly 1027300-10-24)							AR		
-7	2033901-6K193-020	BUSHING							AR		
-8	2033900-4S028-008	SPACER							AR		
-9	AN365-1032	NUT							AR		
-10	2203287	PLATE ASSY, Armor sta 0 LH (ATTACHING PARTS)							1		B
-11	AN4-7A	BOLT							2		B
	AN960-416	WASHER							2		B
	AN365-428	NUT							2		B
-12	2203298	PLATE ASSY, Armor sta 0 (ATTACHING PARTS)							1		B
-13	AN8-14A	BOLT							1		B
	AN960-416	WASHER							1		B
	1203400	SPACER							2		B
	AN365-820	NUT							1		B
-14	4203273	PLATE ASSY, Fuselage armor sta 0 lower (ATTACHING PARTS)							1		B
-15	AN509-416R31	SCREW (formerly 1029421-416-32)							1		B
	AN960-416	WASHER							1		B
	2193695	SPACER ASSY, Armor plate sta 0 lower							1		B
	131736-08S024	BUSHING							1		B
	AN365-428	NUT							1		B
-16	4203274	PLATE ASSY, Armor door sta 0 center LH (ATTACHING PARTS)							1		B
-17	AN398-39	PIN							4		B
-18	4203281	PLATE ASSY, Auxiliary armor door sta 0 center RH							1		
-19	1193888	CLIP							1		B
-20	AN4-6A	BOLT							1		B
-21	AN960-416	WASHER							1		B
-22	AN365-428	NUT							1		B
	5194542	ARMOR PLATING INSTL, Fuselage outside							1		B
	5194566	PLATE ASSY, Fuselage armor sta 0 to 49 lower LH							1		
-23	5194566-4	PLATE, Fuselage armor sta 0 to 49 lower LH							1		
-24	5194566-2	PLATE, Fuselage armor sta 0 to 49 lower LH							1		
-25	4193485	PLATE, Fuselage armor longeron 10 to 13 forward outer LH							1		
-26	5194534	PLATE, Armor cockpit stiffener to longeron to forward LH							1		
-27	5194535	PLATE, Armor cockpit stiffener to longeron to aft LH							1		
-28	5194558	PLATE, Cockpit enclosure armor							1		
-29	5194630	PLATE, Armor sta 0 to 29 lower side RH							1		
-30	5194549	PLATE, Armor longeron 11 to 13 forward RH							1		
-31	5194536	PLATE, Armor cockpit stiffener to longeron 11 forward RH							1		
-32	4195233	PLATE, Breach pin access door armor RH							1		
-33	5194537	PLATE, Armor cockpit stiffener to longeron 11 aft RH							1		
-34	5194558	PLATE, Armor longeron 11 to 13 aft RH (ATTACHING PARTS)							1		
	1114189-28-12	SCREW							AR		
	1114189-28-14	SCREW							AR		
	AN509-416R39	SCREW (formerly 1029421-416-40)							AR		
	AN365-428	NUT							AR		
	A1778M1	NUT (TN)							AR		
	5193195	ARMOR PLATE INSTL, Fuselage sta 123 upper							1		
-35	4193452	PLATE, Fuselage armor sta 123 upper center							1		
-36	4207537	PLATE, Fuselage armor sta 123 upper RH							1		
-37	4193453	PLATE, Fuselage armor sta 123 upper LH							1		
-38	1193846	RETAINER							4		
-39	176000-4526-ND116	BOLT							4		
-40	5193195-8	PLATE							4		
-41	143908-009D016-093	WASHER							4		
-42	AN316-4R	NUT							4		
-43	5193195-10	PLATE							2		
-44	AN365-428	NUT							4		
	5153320	ARMOR PLATE INSTL, Gunner							1		
-45	5194645	PLATE ASSY, Gunner armor (ATTACHING PARTS)							1		
-46	AN6-14A	BOLT							4		
	124682-6S10-098	WASHER							4		
	AN960-616	WASHER							8		
	AN365-624	NUT							4		

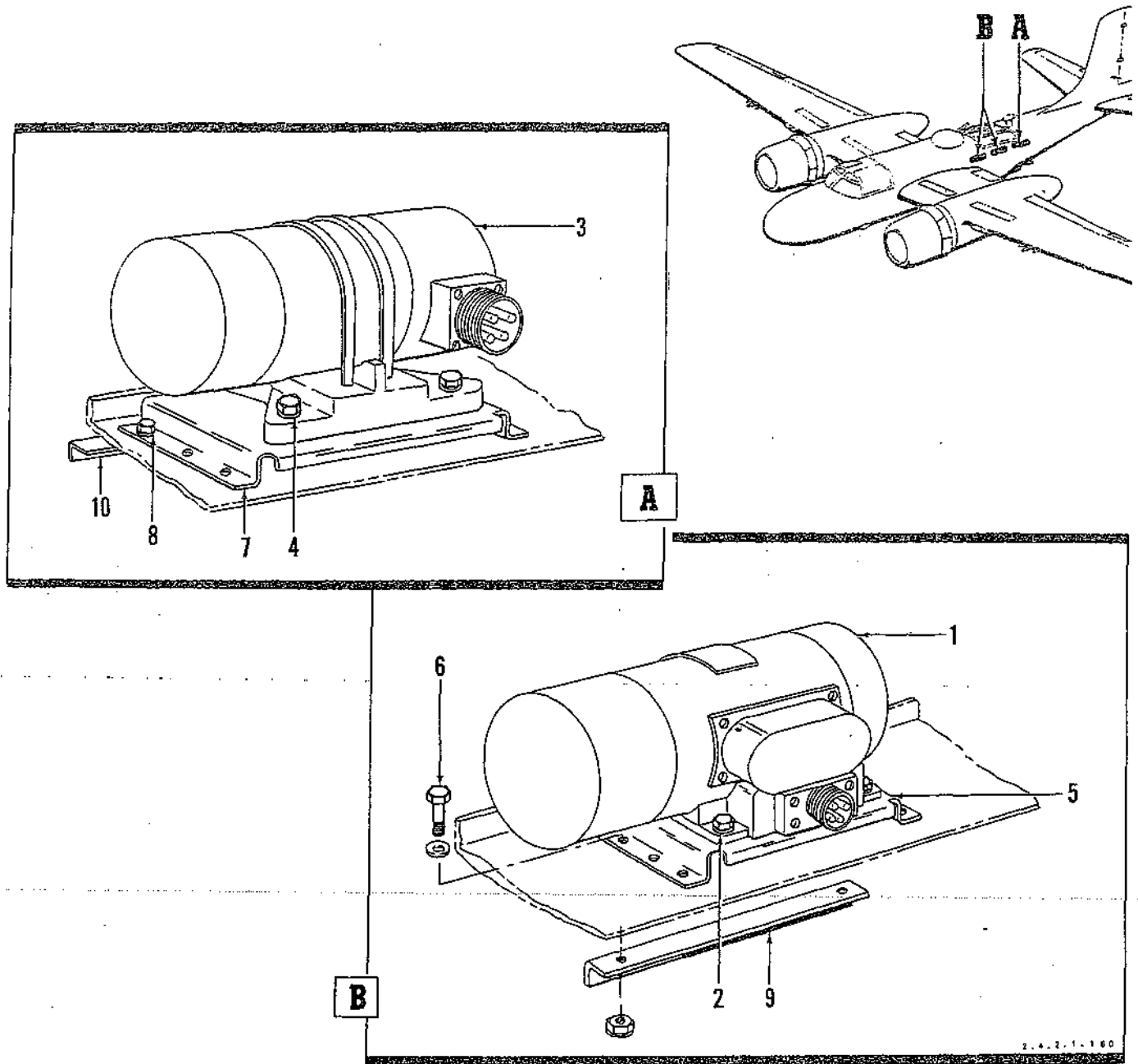


Figure 199. Upper Turret Dynamotor and Amplidyne Installation

Section II
Group Assembly Parts List

T. O. 1B-26B-4

FIGURE & INDEX NO.	PART NO.	DESCRIPTION							UNITS PER ASSY	USABLE ON CODE
		1	2	3	4	5	6	7		
199- -1	52SCE487	DYNAMOTOR AND AMPLIDYNES INSTL, Upper turret							1	A
	5AM31NJ9A	AMPLIDYNE ASSY (GE)							2	A
-2	AN6-11A AN960D6 AN365-624	(ATTACHING PARTS)								
		BOLT							4	A
		WASHER							4	A
-3	52D21NJ3	NUT							4	A
		DYNAMOTOR ASSY, Model K-812-490 (GE)							1	A
		(ATTACHING PARTS)								
-4	AN6-11A AN960D6 AN365-624	BOLT							4	A
		WASHER							4	A
		NUT							4	A
-5	52SCC435	BRACKET, Amplidyne mount							2	A
		(ATTACHING PARTS)								
		BOLT							6	A
-6	AN4-5A AN960-416 AN365-428	WASHER							6	A
		NUT							6	A
		BRACKET, Dynamotor mount							1	A
-7	52SCC436	(ATTACHING PARTS)								
		BOLT							6	A
		WASHER							6	A
-8	AN4-5A AN960-416 AN365-428	NUT							6	A
		SUPPORT ANGLE, Amplidyne mount							1	A
		SUPPORT ANGLE, Dynamotor and amplidyne mount							1	A
-9	52SCB505									
-10	52SCB506									
		A USAF 44-34718, 44-34723, 44-35361, 44-35380, 44-35382, 44-35383, 44-35391, 44-35411, 44-35412, 44-35530, 44-35631, 44-35641, 44-35703, 44-35753, 44-35763, 44-35777, 44-35784, 44-35790, 44-35835, 44-35849, 44-35853, 44-35856, 44-35857, 44-35860, 44-35867, 44-35868, 44-35872, 44-35876, 44-35877, 44-35880, 44-35919, 44-35926, 44-35928, 44-35930, 44-35932, 44-35934.								

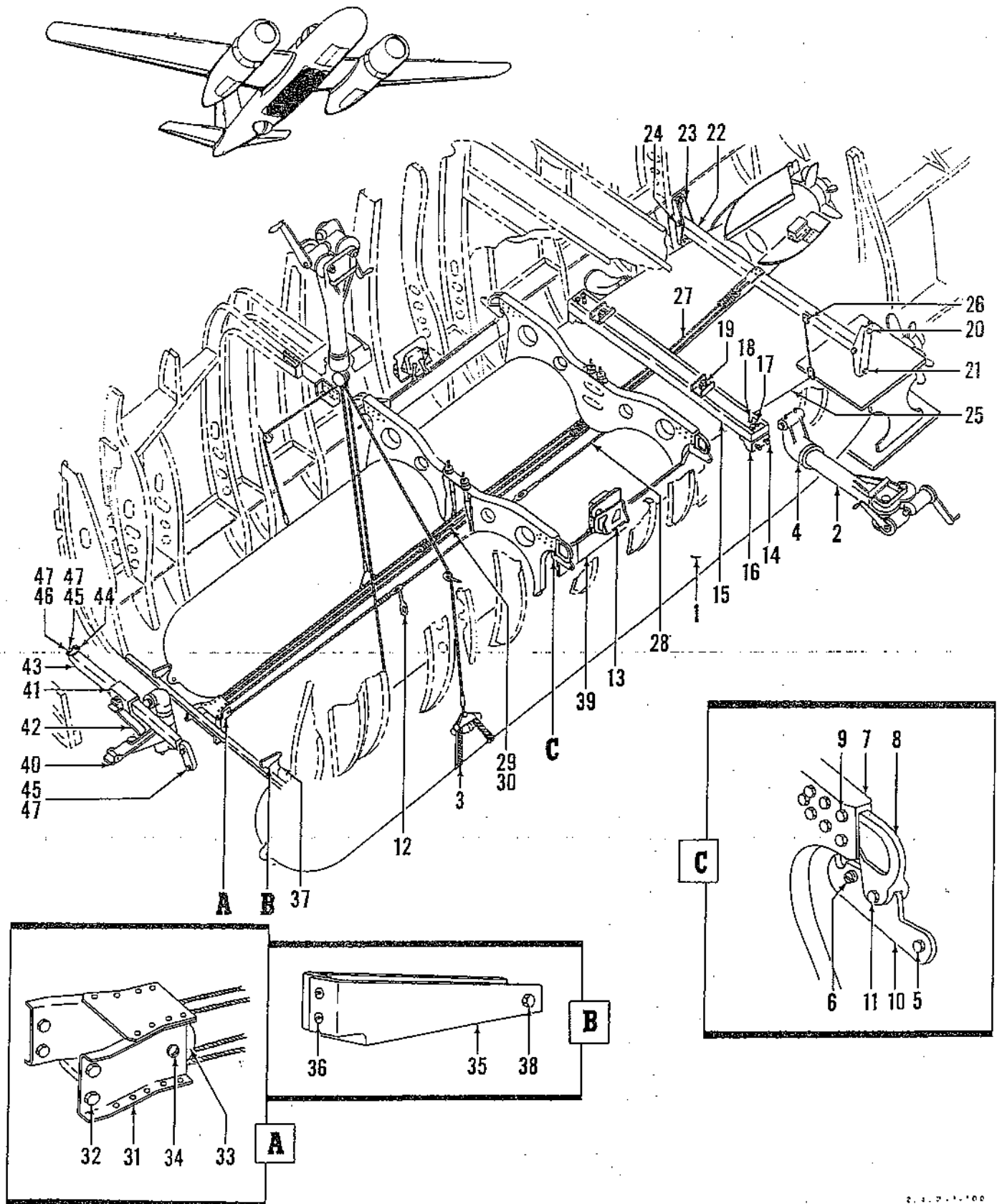


Figure 200. Torpedo Alternate Provision Installation

Section II
Group Assembly Parts List

T.O. 1B-26B-4

FIGURE & INDEX NO.	PART NO.	DESCRIPTION							UNITS PER ASSY	USABLE ON CODE
		1	2	3	4	5	6	7		
200-	5207115	PROVISION INSTL, Torpedo alternate							1	A
	5207119	KIT ASSY, Torpedo alternate (see figure 201)							1	A
-1	1B0275196	TORPEDO, MKXIII Modulator with type II stabilizer (GFP)							2	A
-2	5122277	HOIST ASSY, Bomb (see figure 197)							Ref	A
-3	42G2343-5	SLING ASSY, Bomb hoist type A-1							2	A
-4	4155970	SOCKET ASSY, Torpedo hoist support							1	A
	5159582	BEAM ASSY, Torpedo complete cross (ATTACHING PARTS)							2	A
-5	AN4-13	BOLT							2	A
	AN960D416	WASHER							2	A
	AN310-4	NUT							2	A
-6	2035884-524-107	BOLT							2	A
	AN960D516	WASHER							2	A
	AN310-5	NUT							2	A
-7	5152059	BEAM ASSY, Torpedo cross							1	A
-8	4151239	FITTING, Torpedo beam end (ATTACHING PARTS)							2	A
-9	AN5-13A	BOLT							7	A
	AN960D10	WASHER							7	A
	AN365-524	NUT							7	A
-10	2159653	FITTING, Torpedo sling support LH							1	A
	2159654	FITTING, Torpedo sling support RH (ATTACHING PARTS)							1	A
-11	AN5-13A	BOLT							1	A
	1190786	BUSHING							1	A
	AN960D10	WASHER							1	A
	AN310-5	NUT							1	A
-12	4191401	SLING ASSY, Torpedo release (ATTACHING PARTS)							4	A
	AN315-10R	NUT							4	A
	AN316-10R	NUT							4	A
-13	5205113	PANEL ASSY, Torpedo release complete LH (see figure 201)							1	A,B
	5205113-1	PANEL ASSY, Torpedo release complete RH (see figure 201)							1	A,B
	5150160	BEAM ASSY, Torpedo stop bolt (ATTACHING PARTS)							1	A
-14	AN5-23A	BOLT							4	A
	AN960-516	WASHER							4	A
	AN960D516	WASHER							8	A
	1026614-5-120	SPACER							4	A
	AN365-524	NUT							4	A
-15	5150159	BEAM ASSY, Torpedo stop bolt							1	A
-16	4129516	FITTING (ATTACHING PARTS)							2	A
-17	AN4-6A	BOLT							4	A
	AN960D416	WASHER							4	A
	AN365-42B	NUT							4	A
-18	AN5-6A	BOLT							2	A
	AN960D516	WASHER							2	A
	AN365-524	NUT							2	A
-19	2129399	BOLT							2	A
	143908-025R102-062	WASHER							4	A
	AN960D1216	WASHER							2	A
	2033900-14D-049-123	SPACER							2	A
	AN310-12	NUT							2	A
	3157873	BEAM ASSY, Torpedo starting lanyard (ATTACHING PARTS)							1	A
-20	AN3-7A	BOLT							4	A
	AN960D10	WASHER							4	A
	AN365-1032	NUT							4	A
-21	AN3-6A	BOLT							2	A
	AN960D10	WASHER							2	A
	AN365-1032	NUT							2	A
-22	3157873-6	BEAM ASSY, Torpedo starting lanyard							1	A
-23	2159696	SUPPORT (ATTACHING PARTS)							2	A
-24	AN4-26	BOLT							1	A
	AN960D416	WASHER							1	A
	AN310-4	NUT							1	A
-25	2074407-16-14-1100	CABLE ASSY (ATTACHING PARTS)							2	A
-26	AN3-5A	BOLT							2	A
	AN960D10	WASHER							2	A
	AN364-1032	NUT							2	A

FIGURE & INDEX NO.	PART NO.	1	2	3	4	5	6	7	DESCRIPTION	UNITS PER ASSY	USABLE ON CODE
200-27	2190926								CORD ASSY	2	A
-28	2074408-8-8-2800								CABLE ASSY	2	A
-29	1192335								LDOF	8	A
-30	AN3-6A								BOLT	8	A
	AN310-3								NUT	8	A
-31	4152675								BRACKET ASSY, Torpedo sling retrieving (ATTACHING PARTS)	1	A
-32	AN3-4A								BOLT	4	A
	AN960-10L								WASHER	4	A
	AN365-1032								NUT	4	A
									---*---		
-33	139031-1								ROLLER (ATTACHING PARTS)	2	A
-34	AN24-26								BOLT	1	A
	1026614-4-106								SPACER	1	A
	AN960-416L								WASHER	1	A
	AN320-4								NUT	1	A
									---*---		
-35	2202449								BRACKET, Torpedo impeller lockwire support (ATTACHING PARTS)	2	A
-36	AN515-832-8								SCREW	2	A
	AN960D8L								WASHER	2	A
	AN365-832								NUT	2	A
									---*---		
-37	1195858								LANYARD ASSY, Torpedo impeller arming (ATTACHING PARTS)	2	A
-38	AN3-12								BOLT	1	A
	AN960D10								WASHER	1	A
	AN320-3								NUT	1	A
									---*---		
-39	41E4555								SHACKLE, Type D6 bomb (GFP)	2	A
	5195511								DIRECTOR ASSY, Torpedo complete	1	A
-40	R24789								DIRECTOR, Type B2 (GFP)	1	A
-41									SLIDE ASSY, Director type B-2 (GFP)	1	A
-42	2195127								SPACER ASSY, Torpedo director	1	A
-43	3195628								SUPPORT ASSY, Torpedo director sight horizon bar	1	A
	3207798								SUPPORT ASSY, Torpedo director sight horizon bar	1	B
-44	2156887								BRACKET (ATTACHING PARTS)	1	B
-45	AN3-10A								BOLT	3	A
-46	AN3-6A								BOLT	2	A
-47	AN3-4A								BOLT	5	B
	AN960D10								WASHER	5	A
	AN960-10L								WASHER	5	B
	AN365-1032								NUT	5	A,B
									---*---		
		A USAF	41-39125	thru	41-39599	B USAF	41-39125	thru	41-39349		
			43-22302	thru	43-22751		43-22302	thru	43-22601		
			44-34098	thru	44-36797						

Section II
Group Assembly Parts List

T.O. 1B-26B-4
ARMAMENT

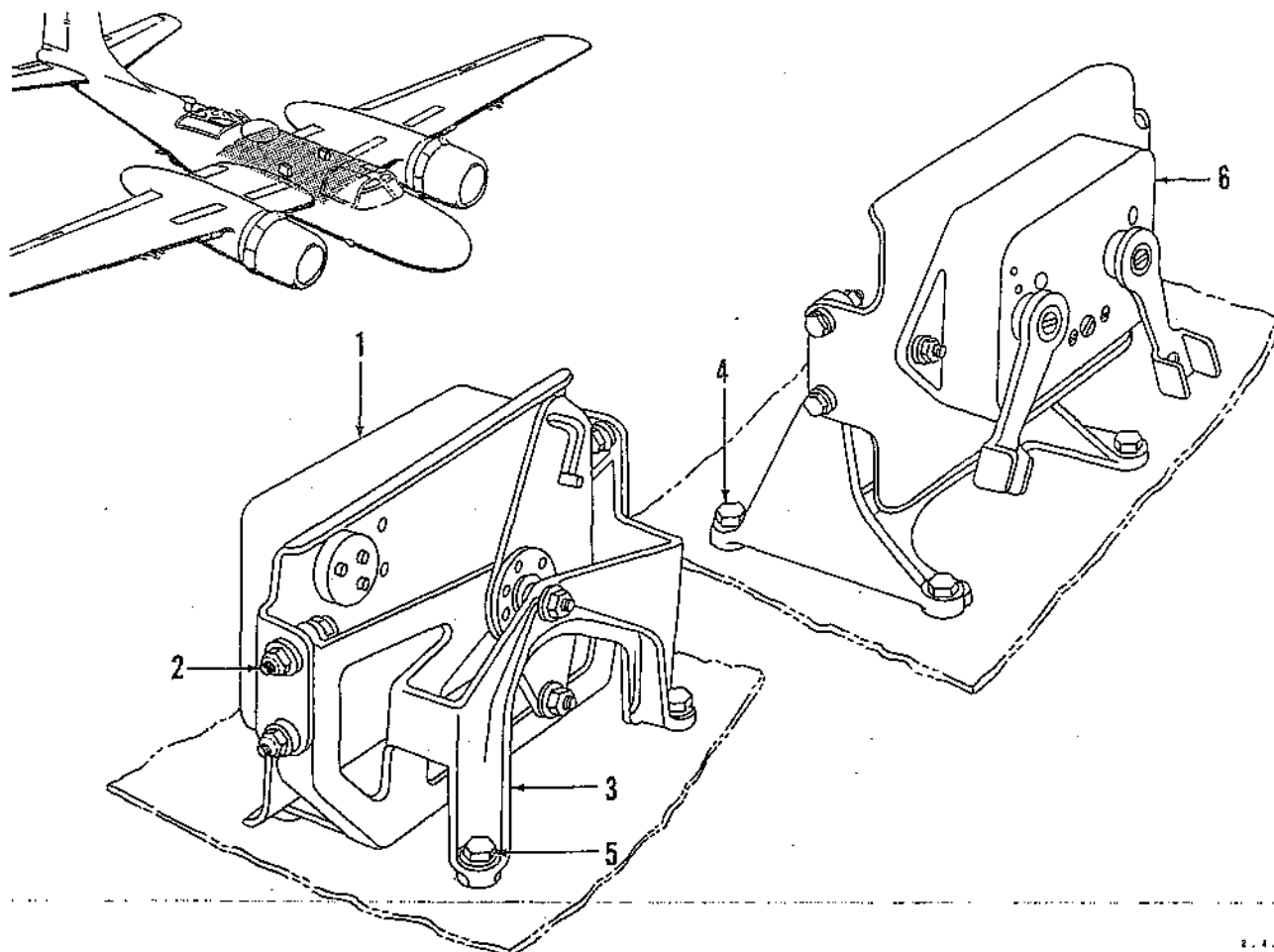


Figure 201. Torpedo Alternate Kit Assembly

2.4.2.1.59

FIGURE & INDEX NO.	PART NO.	1 2 3 4 5 6 7	DESCRIPTION	UNITS PER ASSY	USABLE ON CODE
201-	5207119		KIT ASSY, Torpedo alternate (see figure 200).....	Ref	A
	5205113		PANEL ASSY, Torpedo release complete LH (see figure 200).....	Ref	A
	5205113-1		PANEL ASSY, Torpedo release complete RH (see figure 200).....	Ref	A
-1	4205112		PANEL, Torpedo release LH.....	1	A
	4205112-1		PANEL, Torpedo release RH.....	1	A
			(ATTACHING PARTS)		
-2	AN3-6A		BOLT.....	4	A
	AN960D10		WASHER.....	4	A
	AN365-1032		NUT.....	4	A
			- - - * - - -		
-3	5205034		SUPPORT, Torpedo release panel LH.....	1	A
	5205034-1		SUPPORT, Torpedo release panel RH.....	1	A
			(ATTACHING PARTS)		
-4	AN3-7A		BOLT (Used on: 5205034).....	4	A
-5	AN3-11A		BOLT (Used on: 5205034-1).....	4	A
	AN960D10		WASHER.....	4	A
	AN365-1032		NUT.....	4	A
			- - - * - - -		
-6	43G19840L		RELEASE, Type A4 bomb rack LH (GFP).....	1	A
	43G19840R		RELEASE, Type A4 bomb rack RH (GFP).....	1	A
	ANS02-416-8		SCREW.....	4	A
			A USAF 41-39125 thru 41-39599		
			43-22302 thru 43-22751		
			44-34098 thru 44-36797		

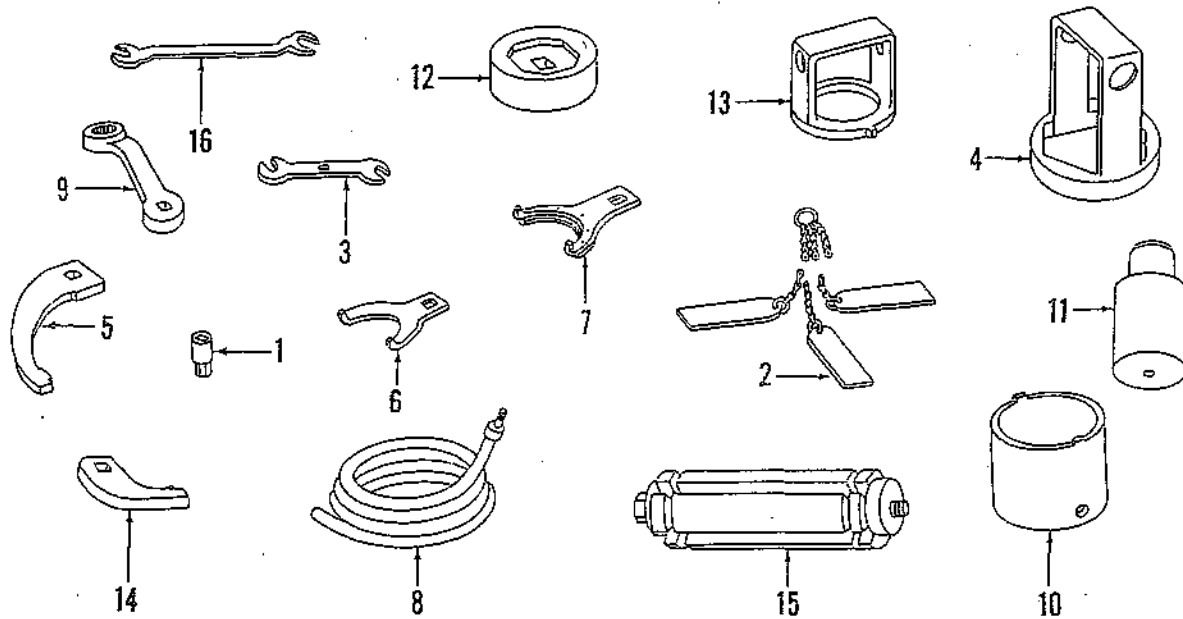


Figure 202. Service Tools

FIGURE & INDEX NO.	PART NO.								DESCRIPTION	UNITS PER ASSY	USABLE ON CODE
		1	2	3	4	5	6	7			
202- -1 -2 -3 -4 -5 -6 -7 -8 -9 -10 -11 -12 -13 -14 -15 -16	K33801								KIT ASSY, Operational squadron tool		A
	K34001								KIT ASSY, Service squadron tool		B
	K34201								KIT ASSY, Major overhaul tool		C
	K22220								ADAPTER, Internal wrenching nut 5/16-in.		B,C
	K22221								ADAPTER, Internal wrenching nut 3/8-in.		B,C
	K22222								ADAPTER, Internal wrenching nut 1/2-in.		B,C
	K22224								ADAPTER, Internal wrench nut 5/8-in.		B,C
	K22225								ADAPTER, Internal wrenching nut 11/16-in.		B,C
	K22228								ADAPTER, Internal wrenching nut 7/8-in.		B,C
	K22908								GAGE, Brake plate spacer		A,C
	K23302								WRENCH, Propeller governor		A-C
	K24305								WRENCH, Main and nose gear axle nut		A-C
	K26418								WRENCH, Lock nut bomb door rear actuating cylinder spanner		A-C
	K26419								WRENCH, Lock nut nose wheel door actuating cylinder spanner		B,C
	K26420								WRENCH, Lock nut bomb door forward actuating cylinder spanner		B,C
	K26421								WRENCH, Lock nut nose wheel snubber spanner		B,C
K26422								WRENCH, Lock nut nose wheel actuating cylinder spanner		B,C	
K26423								WRENCH, Main oleo packing nut spanner		A-C	
K26424								WRENCH, Shimmy damp yoke nut nose spanner wheel gear		A-C	
K26427								WRENCH, Lock nut main wheel actuating cylinder		B,C	
K26428								WRENCH, Wing flap gear box spanner		B,C	
K27704								WRENCH, Nose oleo piston head spanner		B,C	
K27705								WRENCH, Main landing gear piston head spanner		B,C	
K27706								WRENCH, Main landing gear cross tube packing nut spanner		B,C	
K27707								WRENCH, Nose oleo packing nut spanner		A-C	
K39701								WRENCH, Bearing stop nut nose oleo		A-C	
K32002								ADAPTER, Hydraulic wheel brake bleeding		A-C	
K33101								WRENCH, Engine mount bolts		A-C	
K33301								WRENCH, Main landing gear plunger nut spanner		B,C	
K33401								PIN, Wing joint alignment		B,C	
K33402								PIN, Wing joint alignment		B,C	
K33501								WRENCH, 37 MM cannon recuperator adapter		A-C	
K33601								WRENCH, Accumulator		A-C	
K33701								WRENCH, Control column gap spanner		A-C	
K34401								PIN, Expansion alignment wing to fuselage rear spar		B,C	
K34402								PIN, Expansion alignment wing to fuselage front spar upper		B,C	
K34403								PIN, Expansion alignment wing to fuselage front spar lower		B,C	
K35507								WRENCH, Double offset open end 11/16 by 3/4-in.		A-C	
K35509								WRENCH, Double offset open end 13/16 by 7/8-in.		A,C	
K35511								WRENCH, Double offset open end 15/16 by 1-in.		A-C	
K35513								WRENCH, Double offset open end 1-11/16 by 1-1/8 in.		A-C	

Section II

T.O. 1B-26B-4

Group Assembly Parts List

FIGURE & INDEX NO.	PART NO.	DESCRIPTION							UNITS PER ASSY	USABLE ON CODE
		1	2	3	4	5	6	7		
202-	K35515									A-C
	K35517									A-C
	K35519									A-C
	K35521									A-C
	K35523									A-C
	K35525									A-C
	K35527									A-C
		A - Designates tools contained in operation squadron tool kit. B - Designates tools contained in service squadron tool kit. C - Designates tools contained in major overhaul tool kit.								

SECTION III
NUMERICAL INDEX

Section III
Numerical Index

T.O. 1B-26B-4

STOCK NUMBER			FIGURE and INDEX NUMBER	QTY PER ART- ICAL	SOURCE CODE
CLASS CODE	FIIN or SERIAL NUMBER	PART NUMBER			
2345 1ADK		Ammeter Angle	119-6 123-13 168-4	2 2	
6340 6400 3350 2900 3380 2620 1670	086552	Bell Bombsight Bracket Camera Cap Casing Computer Assy Control	117-76 49-9 119-10 42-57 123-67 145-73 164-19 115-40	1 1 1 1 1 1 1	
1790 1280	270-3640	Converter Cover Cutter Assy	123 90-5 193	1 1 14	
5555 6201	AAF345120	Cylinder Driftmeter Generator Guard Head Assy Hose	141-8 57-176 158-32 123-11 188-1 14-27 31-26 31-27L 31-27U 51-1 51-19 57-10 94-98 104- 104-45 106-49 110-96 148-40 148-46 157-18 159-5 159-10 159-16 159-36	6 1 2 1 1 30	
4720		Hose Assy	38-63 42-66 42-70 57-1 57-3 57-5 57-8 57-14 57-16 57-19 57-23 57-25 57-28 57-133 57-134 57-160 57-165	29	
1280 6220A			125-11 159-19 159-32		
6220A 4220 6220A		Intervalometer Lamp Assy Lamp Assy	117-24 29-70 77-23 116-68	1 2 2	
		Lamp Assy Life Raft Light	134-13 43-39 42-40 117-20 122-19 31-7 31-27B	1 1 1	
8125	297-1727	Mason Jar		2	
1790 1095 4200	208125000	Microphone Pistol Regulator	168-28 180-1 115-29	4 1 2	
3380 3380	542265-3775	Relay Relay	29-55 31-39 31-46	1 2	
3380 3380 3380 3350 3350	501520-1575 512220-1225 542265-3775	Relay Relay Relay	123-32 123-68 129-14	1 1 2	
3350 3350	969000-1122	Resistor Rheostat	120-25 115-25 117-25 128-20	1 3	
3350 3350		Rheostat Rheostat	115-55 118-26 119-31	2 2	

STOCK NUMBER			FIGURE and INDEX NUMBER	QTY PER ART- ICAL	SOURCE CODE
CLASS CODE	FIN or SERIAL NUMBER	PART NUMBER			
3350	968000-1481	Rheostat	121-17		
3350		Rheostat	122-21	1	
0900		Shunt	29-41	1	
1280		Sight Assy	188-3	2	
6400		Slide Assy	200-41	1	
5200		Solenoid Assy	182-7	1	
3360		Switch	119-44	6	
	752560		135-12	4	
	074033360		174-6		
			175-16		
6145	96450	Thermometer	51-25	2	
			54-41		
2620	269-7533	Tube	145-72	1	
		Voltmeter	54-7	1	
2245		Voltmeter	110-8	1	
8850	461968	AB10057E	173-2	1	
1600	202040110	AB27-A	173-26	1	
8850	461945	AB9730-1	173-13	1	
3110	143-3008	AE4	18-42	1	
3110	143-3009	AE5	143-	2	
3110	158-4737	AE82	145-14	1	
1600	211304960	AN26-AIC	168-1	1	
		AN10-26	145-45	2	
6500	020600	AN10-43	72-28	1	
6500	020697	AN10-62	191-40	8	
6590	600590-235	AN100-3	173-23	1	
1600	202591100	AN104E	170-19	1	
6590	000700-125	AN111-3	173-20	1	
6500	022025	AN12-26	191-50	64	
6500	NL	AN12-73A	2-3	4	
6500	NL	AN12-74A	2-9	2	
6500	004575	AN155-16L	12-21	35	
6500	005053	AN155-16S	19-87	40	
6500	004595	AN155-32L	78-108	5	
6500	005073	AN155-32S	64-79	20	
6500	004605	AN155-46L	18-53	3	
6500	005043	AN155-85	105-49	8	
6590	300600-285	AN161-16LS	26-9	3	
		AN161-16RS	81-85	3	
6500	300600-255	AN161-8RS	105-48	2	
		AN165-16S	28A-20	11	
6500	008833-244	AN173-26	77-2	8	
6500	008864-357	AN174C11	38-20	12	
6500		AN175C26	38-74	4	
6500		AN175C27	38-77	2	
6500	006601	AN176H10A	49-1	2	
6500	008833-635	AN177-32A	49-3	2	
6500	008833-636	AN177-33A	49-2	2	
6500	NL	AN20-6	143-	2	
3110	142-4314	AN200KS4	81-76	1	
3110	142-4315	AN200KS5	151-18	8	
3110	142-4280	AN200K3	38-42	6	
3110	142-4277	AN200K3L	8-74	5	
3110	142-4282	AN200K4	32-31	2	
3110	142-4284	AN200K5	18-47	2	
3110	142-4296	AN201K16A	13-119	2	
3110	142-4281	AN201K4A	35-26	6	
3110	142-4285	AN201K6A	80-18	2	
3110	142-4287	AN201K8A	79-42	2	
3110	142-4425	AN207D3	18-	7	
3110	142-4426	AN207D4	81-69	1	
3110	142-4428	AN207D5	38-9	5	
3110	142-4429	AN207D6	38-6	1	
3110	142-4432	AN207D8	38-51	1	
		AN209KF3A	28A-	4	
6560	731000-223	AN210-1A	12-18	90	
6560	731000-235	AN210-1B	53-25	2	
6560	731000-247	AN210-2A	12-4	237	
6560	731000-423	AN210-3A	17-55	18	
6560	731000-447	AN210-4A	18-3	30	
6560	731000-595	AN210-5A	18-12	4	
6560	741000-466	AN210-6A	17-9	20	
6700	903937-5	AN227-23B	54-24	3	
6700	904738	AN227-29B	55-13	4	
6700	903890	AN227-4	43-49	18	
6700	903891	AN227-5B	116-57	4	
6700	904700	AN227-8B	43-8	4	
6700	245900	AN227-9B	43-9	2	
6500	070020	AN23-10	20-67	40	
6500	080000	AN23-10A	82-20	4	

Section III
Numerical Index

T.O. 1B-26B-4

STOCK NUMBER			FIGURE and INDEX NUMBER	QTY PER ART- ICAL	SOURCE CODE
CLASS CODE	FIIN or SERIAL NUMBER	PART NUMBER			
6500	070030	AN23-11	8-11B	17	
6500	080050	AN23-11A	9-21	7	
6500	070040	AN23-12	28A-24	9	
6500	070050	AN23-13	8-80	28	
6500	080150	AN23-13A	20-10	7	
6500	070060	AN23-14	12-	17	
6500	080200	AN23-14A	19-2	3	
6500	070070	AN23-15	19-24	7	
6500	070080	AN23-16	19-18	21	
6500	080235	AN23-16A	19-1	3	
6500	070090	AN23-17	8-76	32	
6500	080250	AN23-17A	87-28	1	
6500	070100	AN23-18	17-23	5	
6500	070110	AN23-19	19-98	AR	
6500	060280	AN23-19A	12-32	8	
6500	070120	AN23-20	8-119	25	
6500	070130	AN23-21	18-10	9	
6500	070140	AN23-22	17-60	8	
6500	070150	AN23-23	17-19	7	
6500	070160	AN23-24	21-8	8	
6500	080700	AN23-24A	78-62	2	
6500	070170	AN23-25	12-14	3	
6500	080800	AN23-25A	187-39	1	
6500	070180	AN23-26	19-5	10	
6500	070190	AN23-27	19-41	2	
6500	070200	AN23-28	87-42	2	
6500	070210	AN23-29	8-75	5	
6500	070220	AN23-30	17-49	5	
6500	070230	AN23-31	17-27	3	
		AN23-32	28A-34	2	
		AN23-34	8-77	11	
6500	070250	AN23-36	12-19	11	
6500	070260	AN23-38	17-69	2	
6500	070270	AN23-40	20-11	2	
6500	070290	AN23-42	19-38	7	
6500	070310	AN23-46	87-118	1	
6500	081314	AN23-46A	120-	1	
		AN23-50	146-19	1	
6500	070350	AN23-54	71-3	3	
6500	081360	AN23-56A	121-	1	
6500		AN23-57	87-14	6	
6500	070390	AN23-64	87-112	1	
6500	079992	AN23-8A	19-10	4	
6500	070010	AN23-9	19-86	28	
6500	079995	AN23-9A	52-56	4	
6700	280150	AN230B1	43-29	4	
6500	071030	AN24-11	64-35	1	
6500	082105	AN24-11A	23-34	4	
6500	071050	AN24-13	8-2	2	
6500	082115	AN24-13A	20-16	6	
6500	071060	AN24-14	18-46	AR	
6500	082120	AN24-14A	72-8	4	
6500	071070	AN24-15	79-7	8	
6500	071100	AN24-18	8-99	2	
6500	082400	AN24-18A	65-21	2	
6500	071110	AN24-19	48-18	6	
6500	071120	AN24-20	9-63	4	
6500	082500	AN24-20A	65-18	11	
6500	071130	AN24-21	8-8	10	
6500	071140	AN24-22	88-4	2	
6500	071150	AN24-23	81-50	4	
6500	071170	AN24-25	17-74	4	
6500	071180	AN24-26	81-55	6	
6500	071190	AN24-27	8-68	5	
6500		AN24-28	13-115	2	
6500	082920	AN24-28A	48-76	1	
6500	071210	AN24-29	17-75	8	
6500	071220	AN24-30	18-5	2	
6500	071230	AN24-31	18-41	3	
6500	071260	AN24-36	8-56	6	
6500	071300	AN24-44	78-69	3	
6500	083215	AN24-44A	143-63	2	
6500	071310	AN24-46	78-70	1	
6500	071320	AN24-48	8-111	4	
6500	083223	AN24-48A	143-65	4	
6500	071340	AN24-52	78-71	1	
6500	071350	AN24-54	78-23	1	
6500	071360	AN24-58	78-16	1	

STOCK NUMBER			FIGURE AND INDEX NUMBER	QTY PER ARTICAL	SOURCE CODE
CLASS CODE	FIN OR SERIAL NUMBER	PART NUMBER			
6500	072130	AN25-12	41-9	12	
6500	072170	AN25-16	153-29	2	
6500	072190	AN25-18	151-19	32	
6500	072310	AN25-30	71-61	4	
6500	072315	AN25-31	143-75	2	
6500	084600	AN25-36A	41-8	6	
6500	072425	AN25-54	8-67	2	
6500	072427	AN25-56	89-27	2	
6500	900850	AN255-10	129-36	4	
6500	074080	AN26-17	18-13	1	
6500	074120	AN26-21	79-16	2	
6500	074135	AN26-23	145-2	1	
6500	074160	AN26-27	80-22	2	
6500	074170	AN26-28	71-47	4	
6500	074180	AN26-29	52-12	2	
6500	074190	AN26-30	17-10	5	
6500	074200	AN26-31	145-40	1	
6500	074210	AN26-32	17-29	2	
6500	074220	AN26-34	18-25	2	
6500	074230	AN26-36	79-67	2	
6500	074250	AN26-40	17-11	1	
6500	074270	AN26-44	17-	2	
6500	074275	AN26-46	143-44	2	
6500		AN26-49	9-59	1	
6500	074285	AN26-50	8-57	3	
6500	074290	AN26-52	48-39	1	
6500	075045	AN27-21	8-66	2	
6500	075055	AN27-23	8-72	3	
6500	075057	AN27-25	9-61	1	

STOCK NUMBER			FIGURE AND INDEX NUMBER	QTY PER ARTICAL	SOURCE CODE
CLASS CODE	FIIN OR SERIAL NUMBER	PART NUMBER			
6500	075058	AN27-26	145-3	1	
6500	075059	AN27-27	95-37	1	
6500	075059-4	AN27-30	71-43	1	
6500	075060	AN27-32	95-38	1	
6500	071200	AN28-24	8-110	28	
6500	076180	AN28-42	8-115	2	
6500	076282	AN28-66	8-100	1	
6530	304000-275	AN280-304	70-23	2	
6530	304000-225	AN280H204	155-20	18	
		AN3-6A	61A-2	2	
6500	014050	AN3-10	22-3	10	
6500	032050	AN3-10A	12-2	124	
6500	014060	AN3-11	22-4	12	
6500	032060	AN3-11A	5-40	AR	
6500	014070	AN3-12	5-19	17	
6500	032070	AN3-12A	11-4	44	
6500	014080	AN3-13	28A-7	13	
6500	032080	AN3-13A	12-	81	
6500	014091	AN3-14	12-	37	
6500	032090	AN3-14A	20-81	57	
6500	032095	AN3-15A	35-11	35	
6500	014110	AN3-16	28A-16	45	
6500	032100	AN3-16A	35-7	46	
		AN3-17	28A-3	4	
6500	032105	AN3-17A	31-68	27	
6500	014130	AN3-20	107-139	4	
6500	032108	AN3-20A	49-36	22	
6500	032110	AN3-21A	39-7	3	
6500	032124	AN3-23A	77-14	4	
6500	032126	AN3-24A	20-80	5	
6500	032128	AN3-25A	12-48	19	
6500	032129	AN3-26A	25-15	11	
6500	014200	AN3-27	19-49	4	
6500	032130	AN3-27A	25-9	2	
6500	014000	AN3-3	28A-8	.16	
6500	032004	AN3-3A	4-31	74	
6500	014240	AN3-33	87-139	5	
6500	014010	AN3-4	38-31	53	
6500	032010	AN3-4A	4-6	361	
6500	014310	AN3-42	197-12	4	
6500	032147	AN3-44A	181-25	16	
6500	014020	AN3-5	27-5	29	
6500	032020	AN3-5A	7-22	457	
6500	014410	AN3-54	87-140	2	
6500	014030	AN3-6	17-16	25	
6500	032030	AN3-6A	3-6	456	
6500	032255	AN3-62A	182-1	6	
6500	014492	AN3-65	21-78	2	
6500	014040	AN3-7	19-64	24	

Section III
Numerical Index

T.O. 1B-26B-4

STOCK NUMBER			FIGURE and INDEX NUMBER	QTY PER ART- ICAL	SOURCE CODE
CLASS CODE	FIIN or SERIAL NUMBER	PART NUMBER			
6500	032040	AN3-7A	4-28	230	
6500	014525	AN3-74	69-48	2	
		AN3-8A	49-27	4	
6500	010050	AN3DD10	57-168	6	
6500	029000	AN3DD4A	137-5	12	
		AN3DD5A	188-8	4	
6500	013875-28	AN3H13A	147-26	4	
6500	013855-22	AN3H5	38-29	8	
6500	013855-23	AN3H6	38-27	9	
6500	013855-24	AN3H7	38-82	2	
6500	077037	AN30-38	145-52	1	
6500	077044	AN30-46	72-12	1	
		AN30-50	146-8	1	
		AN300K3	38-95	1	
3360	074032230	AN3021-1	119-12	2	
3360	074033818	AN3021-10	168-23	7	
3360	074032250	AN3021-2	119-16	7	
3360	074032270	AN3021-3	119-19	4	
3360	074032350	AN3021-8	118-38	1	
3360	074032370	AN3021-9	118-37	1	
3360	074032380	AN3022-1	116-79	29	
3360	074032400	AN3022-11	30-14	2	
3360	074031350	AN3022-2	54-39	57	
3360	074031360	AN3022-2B	119-36	1	
3360	074031370	AN3022-3	115-57	7	
		AN3022-5	118-34	4	
3360	074031620	AN3022-7	117-14	7	
3360	074031640	AN3022-8	116-102	13	
3360	074031685	AN3023-1	118-28	14	
3360	074031690	AN3023-10	30-15	4	
		AN3023-11	30-23	1	
3360	074031710	AN3023-2	116-89	18	
3360	074031730	AN3023-3	121-20	1	
3360	074031980	AN3023-7	122-48	1	
3360	074032000	AN3023-8	108-31	3	
3360	074032030	AN3027-1	118-41	5	
3360	074032070	AN3027-2	118-39	4	
3360	074032090	AN3027-3	120-26	3	
3360	07432130	AN3027-5	124-6	3	
3360	071815040	AN3028-1	119-17	9	
3360	071815050	AN3028-2	116-	25	
3360	071815240	AN3028-3	119-39	2	
4202		AN3030-5	116-58	3	
4202		AN3033-3	2-24	2	
4202		AN3033-4	2-	2	
4202		AN3037-2	115-	1	
4202		AN3044-1	115-	1	
4202		AN3047-7	54-21	1	
8800	577255-25	AN3054-6	115-61	2	
8850	100920	AN3057-10	122-71	6	
8850	100925	AN3057-12	29-81	7	
8850	100930	AN3057-16	169-	5	
8850	100935	AN3057-20	122-69	1	
8850	100900	AN3057-3	90-	2	
8850	100905	AN3057-4	118-14	1	
8850	100910	AN3057-6	90-	2	
8850	100915	AN3057-8	29-87	8	
8800	264258-4	AN3058-10	158-31	2	
8800	0318318	AN3064-16	29-11	3	
8800	038352	AN3064-20	29-13	2	
8800	038074	AN3064-4	158-12	4	
8800	038108	AN3064-6	115-31	9	
8800	038152	AN3064-8	158-11	2	
8800	036070	AN3066-10	158-	2	
8800	036080	AN3066-16	29-12	3	
8800	036085	AN3066-20	29-14	2	
8800	036055	AN3066-4	158-	1	
8800	036060	AN3066-6	115-32	11	
8800	036065	AN3066-8	158-	2	
4202		AN3089-2	115-48	1	
4202		AN3092-2	77-26	1	
4202		AN3095-3	29-72	2	
4202		AN3096-4	125-3	1	
4202		AN3096-5	125-1	1	
4202		AN3096-6	125-2	1	
6500	472900	AN310-10	145-	2	
6500	473000	AN310-12	181-	76	
6500	472100	AN310-3	5-	168	
6500	472300	AN310-4	5-	122	
6500	472400	AN310-5	5-	76	

STOCK NUMBER			FIGURE and INDEX NUMBER	QTY PER ART- ICAL	SOURCE CODE
CLASS CODE	FIIN or SERIAL NUMBER	PART NUMBER			
6500	472500	AN310-6	8-7	54	
6500	472600	AN310-7	70-	6	
6500	472700	AN310-8	78-	39	
		AN3100-14-9S	132-4	1	
8850	5316750	AN3100-14S2P	154-1E	2	
8850	499380	AN3100-14S9S	122-13	1	
		AN3100-16-6S	132-3	1	
8850	518960	AN3100-16S6S	122-12	1	
8850	524764	AN3100-20-26P	29-74	2	
		AN3100-28-11S	132-8	2	
8850	602720	AN3100-32-6S	29-	2	
8850	553870	AN3102-18-12P	129-29	1	
		AN3102-24-27P	123-61	1	
8850		AN3102-24-27S	123-62	1	
8850	557195	AN3102-28-1P	129-25	1	
8850	572500	AN3102-28-1PW	129-27	1	
8850	572500-226	AN3102-28-11P	117-1	1	
8850	600800	AN3102-32-7S	123-33	1	
8850	621344	AN3102-32-8S	117-22	1	
		AN3106-14S5S	90-37	1	
8850	287640	AN3106-16-11S	29-86	2	
8850	226660	AN3106-16S1S	90-36	1	
8850	310593	AN3106-16S4S	118-6	1	
8850	229860	AN3106-18-4S	154-16	4	
8850	275029	AN3106-18-5S	122-70	1	
8850	259301	AN3106-20-1S	90-35	2	
8850	351500	AN3106-20-11P	50-14	1	
8850	350448	AN3106-20-27S	175-9	1	
8850	351550	AN3106-24-20P	169-17	1	
8850	344400	AN3106-24-5P	169-18	1	
8850	359461	AN3106-24-7S	169-16	1	
8850	358712	AN3106A22-14S	169-24	1	
8850	367162-52	AN3108-10S2S	90-39	1	
8850	162950	AN3108-12S5S	118-15	1	
8850	159450	AN3108-14S1S	90-40	1	
8850	250427	AN3108-14S2S	154-22	1	
8850	272140	AN3108-16S1S	90-38	4	
8850	310298	AN3108-18-1P	175-3	1	
8850	339230	AN3108-18-9S	172-7	1	
8850	312422	AN3108-20-1S	90-34	1	
8850	351350	AN3108-22-4S	29-80	1	
8850	278239	AN3108-24-7S	169-3	1	
8850	358498	AN3108-32-7P	122-68	1	
8850	407655	AN3108-8S1P	175-4	1	
8850	184400	AN3108B14S5S	175-2	1	
8850	287145-54	AN3108B24S5S	169-2	1	
8850	357535-54	AN3121-1819	115-11	2	
8870	938000-775	AN3121-313	58-	34	
8870	938000-875	AN3124-307	115-	3	
		AN3124-5B307	115-79	1	
8870		AN3124SB307	115-	6	
8870	852000-565	AN3133-311	115-	1	
8870	852000-775	AN315-10	117-	2	
6500	480000	AN315-10R	200-	4	
6500	482900	AN315-3R	12-40	35	
6500	482200	AN315-32	43-7	4	
		AN315-4L	35-38	2	
6500	47900	AN315-4R	35-39	15	
6500	482300	AN315-6R	18-39	6	
6500	482500	AN315D3R	43-30	4	
6500	478100	AN315D6R	188-12	2	
6500	478400	AN3150-2	31-1	2	
4904		AN3155-B5-100	172A-2	1	
3350	886000-2271	AN3155-25-200	169-28	1	
3350	895000-2411	AN3155-50-100	54-20	1	
3350	895000-1751	AN3155-50-25	126-7	3	
7700	549373	AN3157-2	54-18	3	
7700	549317	AN3157-3	130-12	2	
7700	547800	AN3157-4	130-13	5	
7700	549377	AN3157-6	54-19	1	
6500	475705	AN316-10R	194-32	6	
6500	475715	AN316-12R	99-3	4	
6500	475725	AN316-14R	19-95	2	
6500	475100	AN316-4L	8-84	9	
6500	475150	AN316-4R	8-85	AR	
6500	475200	AN316-5L	5-47	1	
6500	475250	AN316-5R	5-50	18	
6500	475300	AN316-6L	8-62	6	
6500	475350	AN316-6R	8-63	11	

Section III
Numerical Index

T.O. 1B-26B-4

STOCK NUMBER			FIGURE and INDEX NUMBER	QTY PER ART- ICLE	SOURCE CODE
CLASS CODE	FIIN or SERIAL NUMBER	PART NUMBER			
6500	475450	AN316-7R	71-54	4	
6500	475550	AN316-8R	178-62	48	
6500	475600	AN316-9L	143-73	2	
6500	475650	AN316-9R	143-74	2	
3360	337300540	AN3160-10	117-38	AR	
3360	070501515	AN3160-15	29-63	AR	
3360	070502014	AN3160-20	29-17	AR	
4202		AN3160-25	29-61	9	
3360	337345094	AN3160-35	29-19	2	
3360	070500517	AN3160-5	42-46	AR	
3360	07050519	AN3160-50	123-47	1	
6500	469100	AN320-10	72-22	7	
		AN320-10R24	191-	AR	
6500	469500	AN320-16	142-20	6	
6500	468300	AN320-3	8-	AR	
6500	468500	AN320-4	5-	AR	
		AN320-428	106-93	1	
6500	468600	AN320-5	8-	37	
6500	468700	AN320-6	8-	31	
6500	468800	AN320-7	8-	11	
6500	468900	AN320-8	8-	16	
6500	469000	AN320-9	145-33	1	
2303		AN3202-1	54-9	1	
3360	073413070	AN3210-1	30-29	6	
3380	541120-4369	AN3220-1	108-34	2	
3320	083351910	AN3220-2	169-29	2	
		AN3220-3	172A-3	1	
		AN3312-1	170-25	1	
6700	356000	AN335-4	8-93	3	
6700	356150	AN335-5	18-	2	
3380		AN3370-2	132-10	3	
6700	354400	AN340-4	119-	9	
		AN340-440	138-	5	
6700	354650	AN340-6	115-	22	
6700	352600	AN340B6	137-	4	
6700	352750	AN340B8	115-	8	
6700	331650	AN340DD6	57-	16	
6700	350860-45	AN341-8	129-	1	
		AN3433-2-2	172A-42	2	
		AN3433-2-3	172A-43	1	
		AN3433-4-2	129-19	1	
8880	059006	AN3434-1	168-11	4	
8880	500194-2355	AN3434-3	131-12	8	
8880	500194-6255	AN3434-4	129-20	9	
8880	500294-7755	AN3435-4-5	132-6	1	
8880	500591-3955	AN3436-1-3	134-1	1	
8880	500381-1555	AN3436-2-2	172A-44	3	
		AN3436-2-6	168-10	2	
8890	500681-3755	AN3436-3-2	133-10	1	
8880	500281-9475	AN3436-4-15	131-9	2	
8880	501581-7455	AN3436-4-16	131-7	5	
8880	501681-7455	AN3436-4-6	129-16	1	
8880	500681-7455	AN3436-4-8	136-1	2	
8880	500881-7455	AN345-10	145-26	2	
6700	35500	AN345B10	29-	5	
6700	352900	AN350-1032	31-	4	
		AN350-4	195-60	1	
6700	366550	AN350B1032	57-	3	
6500	363150	AN360-6	158-	12	
6500	499200	AN363-428	53-66	32	
6500	514175	AN364-1032	4-	194	
6500	523100	AN364-428	20-	92	
6500	523150	AN364-524	41-	29	
6500	523200	AN364-624	83-95	21	
6500	523250	AN364-820	70-38	3	
6500	523350	AN364-832	55-	6	
6500	523024	AN365-1018	57-45	1	
6500	514685	AN365-1018C	145-49	2	
		AN365-1032	3-	AR	
6500	514000	AN365-1032-26	45-26	2	
6500	514010	AN365-1032A	169-	64	
6500	515250	AN365-1216	2-7	6	
6500	514090	AN365-420	18-	11	
6500	514100	AN365-428	2-	AR	
6500	513300	AN365-440	2-	275	
6500	513310	AN365-440A	172A-	15	
6500	514300	AN365-524	5-	166	
6500	514400	AN365-624	5-	AR	
6500	513500	AN365-632	3-	210	
6500	514500	AN365-720	5-	27	
6500	514600	AN365-820	143-	17	
6500	513700	AN365-832	14-	AR	
6500	513702	AN365-832A	169-	6	
6500	514655	AN365-918	145-49	2	

STOCK NUMBER			FIGURE and INDEX NUMBER	QTY PER ART- ICAL	SOURCE CODE
CLASS CODE	FIIN or SERIAL NUMBER	PART NUMBER			
6500	512300	AN365B1031	56-	16	
6500	511800	AN365B440	57-	13	
6500	512000	AN365B632	59-	13	
6500	512100	AN365B632	59-	54	
6500	511600	AN365D1032	137-	8	
6500	511700	AN365D428	81-	4	
6500	511200	AN365D440	154-	8	
		AN365D440A	133-	4	
6500	511600	AN365D632	57-	4	
		AN365H10P10	23-44	4	
6500	507500-239	AN386-1-16A	79-30	1	
6530	507500-243	AN386-1-20A	70-28	4	
6530	507500-247	AN386-1-22A	81-75	2	
6530	507500-314	AN386-12A	71-31	4	
6530	507500-263	AN386-2-20A	80-30	1	
6530	507500-285	AN386-2-22A	80-29	2	
6530	507500	AN386-3-11A	71-30	4	
6530	NL	AN386-4-22A	80-23	3	
6530	504500-117	AN392-11	83-12	2	
6530	504500-118	AN392-15	83-109	4	
6530	504500-119	AN392-15	52-61	12	
6530	504500-122	AN392-17	148-6	10	
6530	504500-123	AN392-19	106-64	13	
6530	504500-125	AN392-23	62-18	2	
6530	504500-126	AN392-25	62-44	6	
6530	504500-145	AN392-57	145-21	1	
6530	504500-115	AN392-7	83-11	1	
6530	504500-116	AN392-9	81-31	2	
6530	504500-184	AN393-11	26-10	7	
6530	504500-185	AN393-13	27-8	5	
6530	504500-186	AN393-15	69-52	1	
6530	504500-187	AN393-17	35-	6	
6530	504500-188	AN393-19	28A-31	20	
6530	504500-189	AN393-21	146-23	1	
6530	504500-192	AN393-23	69-21	2	
6530	504500-193	AN393-25	197-14	1	
		AN393-27	180-7	1	
6530	504500-195	AN393-29	52-11	2	
6530	504500-196	AN393-31	164-24	1	
6530	504500-197	AN393-33	52-33	2	
6530	504500-199	AN393-37	64-18	2	
6530	504500-214	AN393-41	79-56	2	
6530	504500-215	AN393-43	197-40	2	
6530	504500-216	AN393-45	64-19	9	
6530	504500-217	AN393-47	197-21	4	
6530	504500-225	AN393-59	195-58	2	
6530	504500-182	AN393-7	27-24	4	
6530	504500-183	AN393-9	27-7	1	
6530	504500-263	AN394-13	69-41	1	
6530	504500-267	AN394-17	143-55	4	
6530	504500-268	AN394-19	179-16	2	
6530	504500-277	AN394-27	65-33	1	
6530	504500-345	AN394-81	101-55	1	
6530	504500-469	AN395-61	197-23	2	
6530	504500-552	AN396-35	192-43	2	
		AN398-35	188-72	2	
6530	504500-698	AN398-39	198-17	4	
6500	015140	AN4-10	187-62	1	
6500	032450	AN4-10A	7-31	149	
6500	015150	AN4-11	5-1	10	
6500	032460	AN4-11A	8-28	40	
6500	015160	AN4-12	5-2	44	
6500	032470	AN4-12A	3-42	49	
6500	015170	AN4-13	198-56	5	
6500	032480	AN4-13A	14-71	22	
6500	015180	AN4-14	31-72	5	
6500	032490	AN4-14A	7-52	36	
6500	015200	AN4-15	5-64	37	
6500	032500	AN4-15A	30-2	11	
6500	015210	AN4-16	58-1	7	
6500	032510	AN4-16A	2-23	9	
6500	015220	AN4-17	187-60	2	
6500	032520	AN4-17A	20-2	13	
6500	015230	AN4-20	90-97	3	
6500		AN4-21	145-12	3	
6500	032540	AN4-21A	28-10	19	
6500	015250	AN4-22	143-30	2	
6500	032545	AN4-22A	41-6	2	
6500		AN4-23	145-20	3	

Section III
Numerical Index

T.O. 1B-26B-4

STOCK NUMBER			FIGURE and INDEX NUMBER	QTY PER ART- ICAL	SOURCE CODE
CLASS CODE	FIIN or SERIAL NUMBER	PART NUMBER			
6500	032554	AN4-23A	23-19	4	
6500	015280	AN4-25	48-68	1	
6500	015290	AN4-26	200-24	4	
6500	015300	AN4-27	89-63	4	
6500	032575	AN4-27A	102-	3	
6500	015310	AN4-30	92-13	2	
6500	032580	AN4-30A	64-27	6	
6500	015320	AN4-31	81-24	1	
6500	032582	AN4-31A	89-1	2	
6500	032583	AN4-32A	189-3	1	
6500	015340	AN4-33	39-23	2	
6500	032584	AN4-33A	187-35	1	
6500	032585	AN4-34A	101-47	1	
6500	032590	AN4-35A	101-45	2	
6500	015100	AN4-4	143-86	2	
6500	032410	AN4-4A	101-35	40	
6500	032608	AN4-42A	11-21	2	
6500	032617	AN4-47A	101-48	4	
6500	015110	AN4-5	38-24	17	
6500	032420	AN4-5A	5-8	76	
6500	015470	AN4-50	8-9	2	
		AN4-51A	8-1	2	
		AN4-52A	23-29	4	
6500	032622	AN4-6	38-17	12	
6500	015120	AN4-6A	9-18	208	
6500	032640	AN4-66	19-62	2	
6500	015577	AN4-7	52-20	6	
6500	015130	AN4-7A	7-29	206	
6500	032440	AN4DD20A	126-21	1	
6500	030179	AN4DD6A	197-10	2	
6500	030070	AN4H31A	78-52	1	
		AN4H7	13-	2	
6500	013856-25	AN4044-1	159-	2	
4804		AN4049-6	13-72	1	
4804		AN4049-8	13-	1	
4804		AN42-4	26-8	1	
6500	100123	AN43-3	58-60	1	
		AN47-10	50-8	2	
6500	103180	AN48-13	179-9	1	
6500	103263	AN486-1	179-18	2	
6590	107350-475	AN486-3	79-58	4	
6590	107350-435	AN486-4	82-84	7	
6590	107350-415	AN5-10A	7-55	19	
6500	033030	AN5-11	5-3	2	
6500	016250	AN5-11A	17-40	2	
6500	033040	AN5-12	152-7	12	
6500	016260	AN5-12A	17-41	25	
6500	033050	AN5-13A	5-56	56	
6500	033060	AN5-14	89-20	3	
6500	016280	AN5-14A	52-54	17	
6500	033080	AN5-15	5-63	2	
6500	016290	AN5-15A	181-13	16	
6500	033085	AN5-16A	13-52	8	
6500	033090	AN5-20	38-15	3	
6500	016320	AN5-21	89-26	3	
6500	016330	AN5-21A	70-10	2	
6500	033150	AN5-23	79-60	1	
6500	016350	AN5-23A	27-32	14	
6500	033170	AN5-24A	38-7	2	
6500	033180	AN5-25	90-102	1	
6500	016370	AN5-26A	8-26	12	
6500	033183	AN5-31A	187-43	1	
6500	033188	AN5-33A	197-39	4	
6500	033190	AN5-34A	191-48	2	
6500	033193	AN5-35	178-64	12	
6500	016450	AN5-44	18-44	2	
6500	016520	AN5-6A	31-29	44	
6500	033010	AN5-7	77-9	2	
6500	016230	AN5-7A	71-23	20	
6500	033020	AN5H7A	70-71	2	
6500	013877-23	AN500-10-12	11-40	10	
6700	761350	AN500-416-14	13-20	4	
6700	769250	AN500-6-28	70-80	1	
6700	757510	AN500-6-6	103-50	4	
6700	757100	AN500-6-8	103-54	2	
6700	757200	AN500-8-10	112-7	2	
6700	759300	AN500-8-4	106-86	3	
6700	759050	AN500A10-10	13-23	10	
6700	778300				

STOCK NUMBER			FIGURE and INDEX NUMBER	QTY PER ART- ICAL	SOURCE CODE
CLASS CODE	FIN or SERIAL NUMBER	PART NUMBER			
6700	778350	AN500A10-12	10-40	17	
6700	778420	AN500A10-16	101-23	9	
6700	778490	AN500A10-20	101-24	9	
6700	778100	AN500A10-6	13-14	8	
6700	778200	AN500A10-8	70-83	2	
		AN500A4-4	65-73	2	
		AN500A4-6	155-33	20	
6700	781100	AN500A416-10	13-12	20	
6700	781200	AN500A416-12	13-9	12	
		AN500A6-28	155-27	4	
6700	776080	AN500A6-5	89-61	4	
6700	776150	AN500A6-8	121-	1	
6700	762450	AN501-10-16	70-52	1	
6700	762100	AN501-10-6	92-62	4	
6700	773550	AN501-616-24	127-15	6	
		AN501A10-29	155-53	32	
		AN501A10-30	155-26	4	
		AN501A10-7	146-18	4	
6700	778900	AN501A10-8	70-76	76	
6700	778950	AN501A416-28	83-99	2	
		AN501C10-18	94-163	3	
6700	633293-22	AN501C10-24	94-150	3	
	NSL	AN501C10-26	94-164	1	
	NSL	AN502-10-12	70-78	4	
6500	898700	AN502-10-16	187-54	4	
6500	898900	AN502-10-22	143-39	4	
6500	898907	AN502-10-24	12-39	2	
6500	898910	AN502-10-4	106-23	23	
6500	898500	AN502-10-6	30-34	2	
6500	898550	AN502-10-8	70-74	13	
6500	898600	AN502-416-8	178-56	8	
6500	899800	AN503-10-12	101-20	5	
6500	898255	AN503-10-16	101-8	7	
6500	898275	AN503-10-20	102-	5	
6500	898309	AN503-10-44	101-7	8	
6500	898246	AN503-10-8	57-110	4	
6500	899400	AN503-416-10	36-23	4	
6500	899700	AN503-416-16	36-44	32	
6500	899706	AN503-416-20	36-42	16	
6500	899710	AN503-416-22	36-35	18	
6500	899720	AN503-416-24	36-17	16	
6500	899725	AN503-416-26	36-24	2	
6500	899732	AN503-416-30	36-46	10	
6500		AN503-416-34	36-11	18	
6500	899000	AN503-6-4	111-57	1	
6500	891000	AN503-6-8	111-56	6	
6500	898115	AN503-8-12	93-14	11	
6500	897000	AN503-8-4	30-20	4	
6500	898100	AN504-8-8	140-23	4	
6700	683480	AN505-4-7	77-27	2	
6700	636279-63	AN507-1032-10	5-16	344	
6700	636279-355	AN507-1032-12	8-35	56	
6700	636280	AN507-1032-14	19-8	39	
6700	636279-63	AN507-1032-16	105-18	4	
6700		AN507-1032-2	153-5	40	
6700	636271-657	AN507-1032-24	142-68	1	
6700	NSL	AN507-1032-28	74-3	4	
6700	NSL	AN507-1032-30	74-4	2	
6700	NSL	AN507-1032-36	86-60	1	
6700	NSL	AN507-1032-40	142-56	1	
6700	636279	AN507-1032-6	73-17	4	
6700	636279-5	AN507-1032-7	152-12	8	
6700	636279-35	AN507-1032-8	8-41	AR	
		AN507-1032R12	52-38	128	
		AN507-1032R14	46-17	AR	
		AN507-1032R16	68-29	9	
		AN507-1032R18	64-38	4	
		AN507-1032R20	4-33	9	
		AN507-1032R6	9-25	5	
		AN507-1032R60	86-6	1	
		AN507-1032R7	106-52	4	
		AN507-1032R8	9-3	AR	
		AN507-1032R9	153-18	AR	
		AN507-428R10	188-42	84	
		AN507-428R12	47-21	8	
		AN507-428R14	47-19	2	
		AN507-428R16	52-3	12	

Section III
Numerical Index

T.O. 1B-26B-4

STOCK NUMBER			FIGURE and INDEX NUMBER	QTY PER ART- ICLE	SOURCE CODE
CLASS CODE	FIIN or SERIAL NUMBER	PART NUMBER			
6700	636385-647	AN507-428R24	52-35	4	
6700	636385-648	AN507-428R25	164-42	5	
6700	636385-669	AN507-428R30	164-40	4	
6700		AN507-428R31	164-21	8	
6700		AN507-428R34	164-41	4	
6700	636288-335	AN507-440-5	168-12	16	
6700	636288-3364	AN507-440-6	131-18	2	
		AN507-446R6	39-73	6	
6700	636295	AN507-632-10	28-44	12	
6700	679603-1879	AN507-632-5	131-22	3	
6700	679603-1882	AN507-632-6	73-12	2	
		AN507-632R10	60-23	12	
		AN507-632R12	51-24	4	
		AN507-632R5	120-	4	
6700	636271-248	AN507-832-12	28-30	2	
6700	636271-2484	AN507-832-14	74-11	4	
6700		AN507-832-18	74-13	2	
6700	636271-252	AN507-832-24	98-19	1	
6700	636287-316	AN507-832-8	79-32	2	
		AN507-832R10	61-19	102	
6700		AN507-832R11	114-3	4	
		AN507-832R12	41-36	24	
		AN507-832R7	116-5	6	
6700		AN507-832R8	61-2	81	
		AN507-832R9	114-5	17	
		AN507C428R10	195-28	8	
6700	636287-3224	AN507C832R8	110-99	22	
6700	636287-323	AN509-10-10	37-2	6	
	NSL	AN509-10-12	37-3	6	
		AN509-10-14	37-4	6	
		AN509-10R10	6-	72	
		AN509-10R12	173A-6	4	
		AN509-10R13	35-	48	
		AN509-10R14	32-	70	
		AN509-10R16	32-	40	
		AN509-10R16-14	46-	4	
		AN509-10R31	6-23	54	
		AN509-10R8	4-	AR	
		AN509-416R12	6-12	126	
		AN509-416R14	6-	196	
		AN509-416R15	3-	AR	
		AN509-416R16	6-	AR	
		AN509-416R17	3-	AR	
		AN509-416R19	6-	AR	
		AN509-416R23	9-38	4	
		AN509-416R27	8-30	30	
		AN509-416R31	198-15	1	
		AN509-416R37	73-	17	
		AN509-416R39	198-	AR	
		AN509-516R13	71-25	4	
6700	636385-42216	AN509-8R15	35-53	4	
6700	636385-42315	AN509-8R16	35-54	4	
		AN509-8R9	60-33	16	
6700	692500	AN510-10-22	31-36	2	
6700	692050	AN510-10-8	141-5	4	
		AN510-10R11	46-	7	
		AN510-10R14	46-	5	
6700	636382-959	AN510-10R8	129-24	2	
		AN510BR10-20	175-28	12	
		AN513-8-24	29-91	4	
6700	714150	AN515-10-10	29-89	12	
6700	714200	AN515-10-12	167-5	4	
6700	714100	AN515-10-8	167-7	8	
6700	725606-826	AN515-10R10	164-16	14	
6700	703200	AN515-3-6	116-	2	
6700	705150	AN515-4-12	30-18	4	
		AN515-4-20	74-9	4	
6700	704900	AN515-4-5	29-26	16	

STOCK NUMBER			FIGURE and INDEX NUMBER	QTY PER ARTI- CAL	SOURCE CODE
CLASS CODE	FIN or SERIAL NUMBER	PART NUMBER			
6700	704850	ANS15-4-6	2-25	29	
6700	705000	ANS15-4-7	15-19	29	
6700	705030	ANS15-4-8	132-5	24	
6700	725605-822	ANS15-4R5	172A-	9	
6700	722580	ANS15-416-8	26-	4	
6700	708350	ANS15-6-10	57-194	5	
6700	708400	ANS15-6-12	172A-	12	
6700	708450	ANS15-6-14	158-26	4	
6700	708650	ANS15-5-20	57-150	17	
6700	708850	ANS15-6-28	115-43	2	
6700	709030	ANS15-6-40	115-70	26	
6700	706100	ANS15-5-5	34-4	26	
6700	708150	ANS15-5-6	3-25	AR	
6700	708200	ANS15-5-7	43-41	AR	
6700	703250	ANS15-6-8	15-53	151	
		ANS15-6-9	30-50	1	
		ANS15-6R5	20-20	4	
6700	725606-42	ANS15-6R5	29-18	4	
6700	725606-422	ANS15-6R6	118-	3	
6700	725606-424	ANS15-6R7	50-23	6	
6700	725606-426	ANS15-6R8	23-62	119	
6700	711300	ANS15-8-10	28-05	12	
6700	711350	ANS15-8-12	123-19	2	
6700		ANS15-8-13	14-101	30	
6700	711400	ANS15-8-14	29-24	34	
6700	711450	ANS15-8-16	15-30	21	
6700	711550	ANS15-8-20	14-42	16	
6700	711650	ANS15-8-24	17-6	4	
6700	711750	ANS15-8-28	119-	1	
6700	711000	ANS15-8-4	119-	6	
6700	711950	ANS15-8-40	51-8	4	
6700	711100	ANS15-8-6	90-31	8	
6700	711150	ANS15-8-7	20-85	75	
6700	711200	ANS15-8-8	90-32	4	
6700		ANS15-8-9	73-25	24	
6700	725606-626	ANS15-8R10	168-14	2	
6700	725606-628	ANS15-8R12	54-35	8	
6700	725606-634	ANS15-8R18	55-8	6	
6700		ANS15-8R22	56-13	2	
6700	725606-642	ANS15-8R32	123-12	6	
		ANS15-8R5	55-9	16	
6700	725606-62	ANS15-8R6	56-16	13	
6700	725606-622	ANS15-8R7	73-27	56	
6700	725606-624	ANS15-8R8	54-8	5	
6700	670400	ANS15B6-10	58-34	13	
6700	670530	ANS15B6-14	54-16	26	
6700	670650	ANS15B6-16	58-53	20	
6700	670200	ANS15B6-6	126-6	8	
6700	670250	ANS15B6-7	59-21	1	
6700	670300	ANS15B6-8	126-	AR	
6700	725075-338	ANS15B6R10	126-	AR	
6700	725075-34	ANS15B6R12	126-	AR	
6700	725075-342	ANS15B6R14	126-	AR	
6700	725075-344	ANS15B6R16	126-	AR	
6700	679603-182	ANS15B6R18	126-	AR	
6700	725075-342	ANS15B6R20	51-35	31	
		ANS15B7-12	59-2	8	
6700	672975	ANS15B8-18	59-19	1	
6700		ANS15B8-22	59-18	2	
6700		ANS15B8-26	126-2	26	
6700	672680	ANS15B8-7	133-11	4	
		ANS15DD4-7	135-8	10	
		ANS15DD6-6	122-8	4	
		ANS15-8-7	5-	AR	
6700	715050	ANS20-10-10	5-	AR	
6700	715100	ANS20-10-12	53-26	12	
6700	715150	ANS20-10-14	31-57	52	
6700	715200	ANS20-10-16	62-58	2	
		ANS20-10-17	5-	AR	
6700	715250	ANS20-10-18	82-13	12	
6700	715300	ANS20-10-20	80-37	3	
6700	715350	ANS20-10-22	14-83	16	
6700	715400	ANS20-10-24	97-61	2	
6700	715450	ANS20-10-26	14-57	9	
6700	715500	ANS20-10-28	13-30	6	
6700	715550	ANS20-10-30	92-19	8	
6700	715600	ANS20-10-32	14-8	14	
6700	715700	ANS20-10-36	38-59	4	
6700	714750	ANS20-10-4			

Section III
Numerical Index

T.O. 1B-26B-4

STOCK NUMBER			FIGURE and INDEX NUMBER	QTY PER ART- ICLE	SOURCE CODE
CLASS CODE	FIIN or SERIAL NUMBER	PART NUMBER			
6700	715750	AN520-10-40	92-52	1	
6700	715850	AN520-10-48	120-	2	
6700	714800	AN520-10-5	158-5	4	
6700	714850	AN520-10-6	29-9	17	
6700	714900	AN520-10-7	14-11	AR	
6700	714950	AN520-10-8	9-11	135	
6700	725606-926	AN520-10R10	43-62	62	
6700	725606-928	AN520-10R12	60-62	26	
6700	725606-93	AN520-10R14	64-1	AR	
		AN520-10R16	46-23	2	
6700	725606-936	AN520-10R20	60-	AR	
6700	725606-938	AN520-10R22	164-71	2	
6700	725606-94	AN520-10R24	41-26	AR	
6700	725606-918	AN520-10R5	129-10	8	
6700	725606-92	AN520-10R6	56-18	2	
6700	725606-922	AN520-10R7	130-17	56	
6700	725606-924	AN520-10R8	7-25	28	
6700	723150	AN520-416-10	24-14	16	
6700	723200	AN520-416-12	117-	4	
6700	72350	AN520-416-14	14-62	7	
6700	723300	AN520-416-16	117-	2	
6700	723420	AN520-416-26	3-33	6	
6700	725607-322	AN520-416R10	175-17	5	
		AN520-416R12	65-26	8	
		AN520-416R14	41-	2	
6700	710000	AN520-6-20	15-28	2	
6700	709450	AN520-6-4	42-64	3	
6700	712400	AN520-8-10	43-55	9	
		AN520-8-12	136-4	2	
6700	712250	AN520-8-6	52-47	16	
6700	712350	AN520-8-8	29-49	4	
		AN520-8R20	64-55	12	
		AN520-8R6	117-50	19	
6700	675850	AN520B10-10	54-16	8	
6700	676100	AN520B10-20	130-6	1	
6700	676150	AN520B10-24	130-7	1	
6700	676200	AN520B10-26	130-8	1	
6700	675750	AN520B10-8	59-24	16	
6700	725075-544	AN520B10R20	57-171	3	
		AN525-10-10	42-37	46	
6700	790300	AN525-10-14	192-5	12	
6700	790400	AN525-10-20	155-62	3	
6700	790550	AN525-10-6	38-60	4	
6700	790100	AN525-10-8	42-36	52	
6700	790200	AN525-416-14	195-101	10	
6700	791000	AN525-416-16	195-37	3	
6700	791050	AN525-416-18	53-2	22	
6700	791100	AN525-416-20	195-40	38	
6700	791150	AN525-416-26	195-41	2	
6700	791205	AN525-416-28	195-42	2	
6700	791210	AN525-416-32	195-62	1	
6700	791215	AN526-1032-10	113-4	7	
6700	785545-32	AN526-1032-12	95-42	8	
6700	785545-34	AN526-1032-18	55-11	5	
6700	785545-4	AN526-1032-24	185-18	2	
6700	785545-46	AN526-1032-26	45-30	1	
		AN526-1032-7	73-54	2	
6700	785545-26	AN526-1032-8	46-5	31	
		AN526-1032R10	43-59	8	
6700	785555-32	AN526-1032R12	54-22	3	
6700	785555-34	AN526-1032R24	175-23	4	
6700	785555-46	AN526-1032R6	167-10	4	
6700	785555-24	AN526-1032R8	49-22	14	
6700	785555-28	AN526-632-6	42-17	4	
6700	785540-24	AN526-632R11	173-28	8	
		AN526-832-32	17-51	2	
6700	785542-54	AN526-832-5	51-31	12	
6700	785542-24	AN526-832-7	168-21	24	
6700	785542-26	AN526-832-8	164-30	2	
6700	785542-28	AN526-832R7	193-5	AR	
6700	785552-26	AN526-832R8	167-16	6	
6700	785552-28	AN530-10-10	4-11	49	
6700	749000	AN530-10-12	26-28	7	
6700	749050	AN530-10-14	76-26	8	
		AN530-10-16	116-91	4	
6700	749150	AN530-10-20	*109-19	8	
6700	749200				

STOCK NUMBER			FIGURE and INDEX NUMBER	QTY PER ART- ICAL	SOURCE CODE
CLASS CODE	FIIN or SERIAL NUMBER	PART NUMBER			
6700	749200	AN530-10-20	109-19	2	
6700	748945	AN530-10-6	117-52	4	
6700	748950	AN530-10-8	29-53	AR	
6700	749542-9S	AN530-10R10	107-41	20	
6700	749543	AN530-10R12	43-80	6	
6700	749542-88	AN530-10R6	104-68	18	
6700	749542-9	AN530-10R8	124-1	4	
		AN530-4	90-7	2	
6700	747900	AN530-4-6	43-31	18	
6700	747950	AN530-4-8	116-86	21	
6700	749542-2S	AN530-4R6	113-6	4	
6700	749542-3	AN530-4R8	133-13	8	
6700	748300	AN530-6-10	29-58	10	
6700	748055	AN530-6-4	123-4	4	
6700	748150	AN530-6-6	106-16	AR	
6700		AN530-6-7	118-	10	
6700	748250	AN530-6-8	115-	AR	
6700	749542-5	AN530-6R10	57-196	27	
6700	749542-4	AN530-6R6	123-9	4	
6700		AN530-6R7	118-	4	
6700	749542-4S	AN530-6R8	43-58	14	
6700	748750	AN530-8-10	5-	AR	
6700	748800	AN530-8-12	122-24	2	
6700	748900	AN530-8-16	78-36	14	
		AN530-8-32	110-91	1	
6700	748650	AN530-8-6	29-	AR	
6700	748700	AN530-8-8	6-7	255	
6700	749542-7	AN530-8R10	107-128	5	
6700	749542-7S	AN530-8R12	110-61	4	
6700	749542-6	AN530-8R6	104-9	16	
6700	749542-6S	AN530-8R8	31-60	AR	
6700	825100	AN550-5-4	55-5	24	
6103		AN5525-1	57-42	3	
6103		AN5525-2	15-31	4	
6103		AN5530-2	58-12	1	
6126	76B2	AN5536T2A	58-20	1	
6103		AN5547-2	159-39	2	
6700		AN565A4-8	189-19	8	
6700	726147	AN565B10-4	180-13	4	
6700	726148	AN565B10-5	180-14	4	
		AN565C4-10	148-55	2	
6700	727070	AN565D6-3	57-107	2	
		AN565D6-6	115-	1	
6700	727090-5	AN565D8-7	92-33	1	
		AN566C8-8	188-10	1	
6203		AN5730-2	51-32	2	
6203		AN5730-2A	59-7	1	
6203		AN5730-3	38-64	1	
6003		AN5733-1	57-198	2	
6003		AN5735-1A	58-9	1	
6203		AN5736-1A	58-10	1	
6203		AN5738-1	57-169	1	
6203		AN5738-2	57-170	1	
6203		AN5743-1	51-36	1	
6703		AN5743-1A	54-11	1	
6703		AN5743-2	58-8	1	
6203		AN5751-1	187-13	1	
6203		AN5752-2	54-15	1	
6203		AN5753-1A	138-1	1	
6203		AN5754-2	137-1	1	
6203		AN5756-2	54-5	1	
6203		AN5760-2D	51-33	2	
6103		AN5765-1	11-43	2	
6103		AN5770-2	58-11	1	
2303		AN5771-3A	58-7	1	
		AN5771-4	59-11	2	
2303		AN5771-4A	58-22	1	
2303		AN5771-5A	58-6	1	
6103		AN5772-4	58-13	1	
6103		AN5773-3	58-14	1	
2303		AN5780-2	58-28	1	
2303		AN5785-1	57-96	1	
6103		AN5790-7	58-3	1	
6003		AN5795-6	58-19	2	
		AN5812-1	42-63	1	

Section III
Numerical Index

T.O. 1B-26B-4

STOCK NUMBER			FIGURE and INDEX NUMBER	QTY PER ART- ICAL	SOURCE CODE
CLASS CODE	FIIN or SERIAL NUMBER	PART NUMBER			
6003		ANS820-1	58-17	1	
6003		ANS822-1	57-30	1	
6003		ANS825-7	58-18	1	
4804		ANS831-1	57-193	1	
6300	017230	AN6-10	50-7	2	
6300		AN6-11A	101-32	38	
6300		AN6-12A	7-18	AR	
6300		AN6-13	116-78	8	
6300		AN6-13A	101-33	AR	
6300		AN6-14A	5-62	AR	
6300		AN6-15A	38-46	1	
6300		AN6-16A	5-35	3	
6300	030060-34566	AN6-20A	7-20	14	
6300		AN6-21A	7-17	14	
6300		AN6-22A	101-37	9	
6300	017340	AN6-23	38-16	2	
6300		AN6-23A	27-33	24	
6300	017350	AN6-24	53-3	1	
6300		AN6-24A	198-64	1	
6300		AN6-26A	38-4	2	
6300		AN6-30A	191-41	4	
6300	017450	AN6-36	149-4	24	
6300		AN6-37A	5-24	2	
6300		AN6-40A	5-26	4	
6300	017490	AN6-42	192-23	2	
6300		AN6-54A	191-52	32	
6300		AN6-6A	31-16	2	
6300		AN6003-4A	140-3	3	
6300		AN6004	140-17	2	
6300		AN6004-1	140-1	1	
6300		AN6021-1A	59-9	3	
6300		AN6024-5	141-3	1	
6300		AN6029-1	59-6	3	
4804		AN6100-1	26-27	1	
4804		AN6101-1	26-22	1	
4804		AN6112-1	159-1	2	
4804		AN6119-3	15-8	1	
4804		AN6200-8AE	93-1	1	
4804		AN6206-1	92-2	1	
4804		AN6207-4	94-111	3	
4804		AN6207-6	95-56	2	
4804		AN6220-16	14-30	1	
4804		AN6220-8	14-12	1	
4804		AN6221-16	14-33	1	
4804		AN6221-8	14-15	1	
4804		AN6223-16	14-31	1	
4804		AN6223-8	14-13	1	
4804		AN6224-16	14-32	1	
4804		AN6224-8	14-14	1	
6600	618817-5	AN6225-16	147-11	8	
6600	618817-7	AN6225-20	99-7	8	
6600	618817-9	AN6225-22	144-10	12	
6600	589216	AN6227-15	94-139	3	
6600	589238	AN6227-25	99-19	1	
6600	589306	AN6227-32	99-13	1	
6600	589314	AN6227-34	147-2	1	
6600	589316	AN6227-35	146-53	1	
6600	589323	AN6227-38	144-5	2	
6300	001215	AN6229-16	147-10	4	
6300	001218	AN6229-20	99-8	2	
6300	001221	AN6229-22	144-9	3	
4804		AN6234-1	94-113	1	
4804		AN6234-3	92-11	1	
6600	384629-4	AN6270-4-10	54-26	1	
6600	384630-7	AN6270-4-14	54-25	1	M
6600		AN6271-3-17-1/2	185-22	4	
4804		AN6287-1	94-167	2	
6600	300502-2	AN6290-10	57-	2	
6600	300502-26	AN6290-16	14-25	4	
6600	300502-14	AN6290-4	26-19	70	
6600	300502-16	AN6290-6	14-	51	
6600	300502-18	AN6290-8	91-	AR	
6300	600345-255	AN665-21R	146-15	1	
6300		AN7-17A	5-42	2	
6300		AN7-25A	143-1	8	
6300		AN7-27A	38-49	6	
6300		AN7-40A	5-27	2	
6300	013050	AN73-15	87-76	1	

STOCK NUMBER			FIGURE and INDEX NUMBER	QTY PER ART- ICLE	SOURCE CODE
CLASS CODE	FIIN or SERIAL NUMBER	PART NUMBER			
6500	011911	AN73A4	102-6	7	
6500	011920	AN73A6	102-	7	
6500	289600	AN735-16	23-61	5	
6500	289610	AN735-18	23-62	5	
6500	289683	AN735-36	107-40	1	
6500	293714-366	AN737RM22	10-	14	
6500	293714-3663	AN737RM26	10-	19	
6500	293714-3664	AN737RM30	11-	21	
6500		AN737TW107-114	102-14	2	
6500	293714-3692	AN737TW24	163-	4	
6500	293714-3694	AN737TW30	148-	8	
6500	293714-3365	AN737TW34-38	94-99	25	
6500		AN737TW44-46	13-	6	
6500		AN737TW48-56	10-	66	
6500		AN737TW58-66	10-	15	
6500		AN737TW74-82	13-	18	
6500		AN737TW91-98	183-29	22	
6500	013268	AN74-27	92-23	2	
6500	013094	AN74-3	92-25	2	
6500	013100	AN74-4	36-4	128	
6500	013271-5	AN74-5	195-51	4	
6500	013115	AN74-6	36-3	35	
6500	013120	AN74-7	70-4	4	
6500	013085	AN74A14	18-6	1	
6500	013087-3	AN74A22	36-8	24	
6500	013080	AN74A5	36-14	12	
6500	306166	AN741-15P	192-33	2	
6500	307938	AN741T8P	186-12	2	
6500	326955	AN742-14	109-29	1	
6500	326730	AN742-24C	131-5	4	
6500		AN742-8C	46-2	1	
6500	326507-5	AN742D4	183-21	2	
6500		AN746-9	15-	14	
6500	526165	AN749-2-4	59-20	1	
6500	013300	AN75-6	13-38	4	
8800	528205-5	AN751-1-6	164-29	1	
6700	205550	AN771-1	36-28	1	
6500	105420	AN775-6	14-	2	
6500	105220	AN775-6D	99-33	2	
6500		AN8-10A	179-49	1	
6500		AN8-14A	198-13	1	
6500	019380	AN8-15	61-28	1	
6500	019390	AN8-17	61-27	1	
6500	019400	AN8-20	143-8	32	
6500		AN8-23A	179-1	2	
6500	019450	AN8-25	36-67	1	
6500		AN8-25A	179-2	2	
6500		AN8-32A	143-3	8	
6500		AN8-34A	143-4	4	
6500		AN8-41A	195-74	1	
6600	551227	AN8008D2	51-29	3	
6600	551270	AN8008D4	51-30	5	
6600	551310	AN8008D7	54-3	6	
6500	995550	AN8013-1	172A-	8	
6500		AN8013D1	54-	14	
6500		AN8013D2	54-	8	
6500	000709	AN807-16D	14-26	1	
6500		AN807-4D	158-25	4	
6500	342292	AN809-1	94-166	1	
6500	282045	AN813-1B	94-168	1	
6500	613370	AN814-4D	95-79	3	
6500	613400	AN814-6D	14-73	3	
6500	613404	AN814-8D	93-2	1	
6500	967352	AN815-10	160-15	4	
6500	967230	AN815-10D	57-76	1	
6500	967235	AN815-12D	15-3	22	
6500	967356	AN815-16	16-61	2	
6500	967240	AN815-16D	14-18	7	
6500	967356-14	AN815-2D	15-23	8	
6500	967205	AN815-3D	76-29	3	
6500	967344	AN815-4	156-29	2	
6500	967210	AN815-4D	14-91	69	
6500	967220	AN815-4D	14-72	17	
6500	967225	AN815-6D	14-37	AR	
6500	451892	AN815-8D	16-49	2	
6500	451893	AN816-10	16-35	2	
6500	451862	AN816-10-12	57-13	3	
6500		AN816-10D			

Section III
Numerical Index

T.O. 1B-26B-4

STOCK NUMBER			FIGURE and INDEX NUMBER	QTY PER ART- ICAL	SOURCE CODE
CLASS CODE	FIN or SERIAL NUMBER	PART NUMBER			
6500	496035	AN816-12D	106-105	1	
6500	451896	AN816-16-12	16-47	4	
6500	451881	AN816-2	27-11	3	
6500	451850	AN816-2D	57-135	AR	
6500	451882	AN816-3	27-12	1	
6500	451852	AN816-3D	76-20	4	
6500	451884	AN816-4	16-19	7	
6500	451854	AN816-4D	10-28	AR	
6500	451858	AN816-6D	13-	3	
6500	451860	AN816-8D	13-	1	
6500	361135	AN821-12D	57-154	1	
6500	361810	AN821-4	10-35	1	
6500	361110	AN821-4D	26-41	6	
6500	361125	AN821-8D	98-23	5	
6500	361530	AN822-10	13-106	4	
6500	361330	AN822-10D	57-	2	
6500	361335	AN822-12D	24-16	3	
6500	361540	AN822-16-12	16-37	2	
6500	361505	AN822-3	34-36	3	
6500	361305	AN822-3D	76-28	1	
6500	361510	AN822-4	11-34	8	
6500	361310	AN822-4D	11-13	AR	
6500	361815	AN822-5D	128-14	3	
6500	361320	AN822-6D	57-29	4	
6500	361525	AN822-8	160-4	2	
6500	361325	AN822-8D	57-74	1	
6500	361430	AN823-10	16-52	4	
6500	361235	AN823-12D	24-15	8	
6500	361410	AN823-4	11-	5	
6500	361210	AN823-4D	57-11	4	
6500	351220	AN823-6D	57-2	4	
6500	919540	AN824-10D	163-23	2	
6500	919761	AN824-2	27-17	1	
6500	919771	AN824-4	34-31	2	
6500	919520	AN824-4D	10-30	23	
6500	919530	AN824-6D	91-9	3	
6500	919535	AN824-8D	91-41	2	
6500	920066	AN825-4	16-21	3	
6500	920036	AN825-4D	25-16	10	
6500	920040	AN825-6D	107-54	2	
6500	919976	AN826-4D	15-	12	
6500	919980	AN826-6D	10-49	1	
6500	349706	AN827-3D	76-21	1	
6500		AN829-12D	15-5	2	
6500		AN829-6D	98-11	1	
6500		AN829-8D	98-25	1	
6500	967358	AN832-10	16-78	1	
6500	967248	AN832-10D	16-57	1	
6500	967249	AN832-12D	15-1	9	
6500	967249-4	AN832-16D	14-16	6	
6500	967242	AN832-2D	15-20	6	
6500	967244	AN832-4D	11-45	AR	
6500	967245	AN832-5D	163-27	2	
6500	967246	AN832-6D	95-47	6	
6500	967247	AN832-8D	14-1	5	
6500	361672	AN833-10	160-17	2	
6500	361661-3	AN833-10D	57-55	1	
6500	361661-5	AN833-16D	14-22	2	
6500	361660-4	AN833-3D	76-14	1	
6500	361660-5	AN833-4D	14-78	52	
6500	361660-7	AN833-6D	13-91	19	
6500	361661	AN833-8D	14-45	31	
6500	919659	AN834-3D	34-40	2	
6500	919660	AN834-4D	57-89	10	
6500	919662	AN834-6D	95-12	2	
6500	919663	AN834-8D	91-4	8	
6500	361660-2524	AN837-10D	57-132	1	
6500	361660-2528	AN837-16D	92-53	2	
6500	361660-2512	AN837-2D	164-51	2	
6500	361660-2516	AN837-4D	42-71	21	
6500	361660-252	AN837-6D	92-55	5	
6500	361660-2522	AN837-8D	14-46	7	
6500	000708-5	AN840-16	100-19	2	
6500	000707-55	AN840-16D	11-5	5	
6500	000707-8	AN840-4	156-6	2	
6500	000707	AN840-4D	10-65	1	
6500	000708	AN840-6	10-46	2	
6500	000708-2	AN840-8	148-47	1	

STOCK NUMBER			FIGURE and INDEX NUMBER	QTY PER ART- ICAL	SOURCE CODE
CLASS CODE	FIIN or SERIAL NUMBER	PART NUMBER			
6500	000707-25	AN840-8D	13-81	1	
6500	368709-4	AN842-12D	101-12	1	
6500	368752	AN842-16	102-21	10	
6500	368709-6	AN842-16D	11-6	2	
6500	368709-63	AN842-17D	156-3	1	
6500	368709-635	AN842-21D	101-15	1	
6500	368709	AN842-4D	10-8	AR	
6500	368744	AN842-8	157-13	2	
6500	368718	AN844-12	102-20	2	
6500	368707-3	AN844-12D	10-27	2	
6500	368722	AN844-16	13-96	4	
6600		AN844-16-15	36-38	2	
6500	368708	AN844-16D	11-7	1	
6500	368708-5	AN844-17D	156-2	1	
6500	368710	AN844-4	156-24	4	
6500	368706-3	AN844-4D	101-27	AR	
6500	368712	AN844-6	148-34	1	
6500	368706-4	AN844-6D	101-63	1	
6500	368714	AN844-8	159-12	2	
6500	361969-45	AN846-4D	159-37	2	
6500	361970-4	AN848-24D	13-42	2	
6500	339530	AN849-16D	11-27	4	
6500	339531	AN849-24D	13-45	1	
6600	339524	AN849-8D	11-38	3	
6600		AN863-10-30	160-19	2	
6600		AN878-12-15	13-78	1	
6600		AN878-16-15	13-95	2	
6600		AN878-24-20	13-44	12	
6600		AN878-24-8	157-6	2	
6600		AN878-32-20	13-27	6	
6600		AN878-32-22	157-2	2	
6600		AN878-32-28	157-3	2	
6600		AN878-4-14	160-10	4	
6600		AN878-4-16	157-15	2	
6600		AN878-6-12	10-47	1	
6600		AN878-6-15	13-87	4	
6600		AN878-8-15	13-79	7	
6600		AN878-8-72	31-18	2	
6600		AN880-16-15	15-9	1	
6600		AN880-4-48	163-9	2	
6600		AN882-16-14	163-11	4	
6600		AN884-12	102-17	1	
6600		AN884-12-110	163-17	2	
6600		AN884-12-120	163-18	2	
6600		AN884-12-15	10-19	6	
6600		AN884-16-15	10-6	8	
6600		AN884-20-15	10-14	3	
6600		AN884-20-32	101-67	1	
6600	380811	AN884-4	156-31	12	
6600		AN884-4-15	10-34	4	
6600		AN884-6-15	10-56	3	
6600		AN884-8-37	11-37	1	
6600	251590	AN893-12D	92-27	2	
6500	251570	AN893-2D	95-85	1	
6500		AN9-26A	145-45	2	
6500		AN9-37A	179-5	2	
6500	265050	AN900-14	13-18	1	
6700	265100	AN900-16	13-56	1	
6700	265350	AN900-21	13-34	2	
6700	267016	AN901-24A	13-	3	
6700	267000	AN901-4A	94-	1	
6700	267002	AN901-5A	94-	1	
6700	267004	AN901-6A	14-	4	
6700	267026	AN901-6C	99-34	4	
6700	267006	AN901-8A	14-	5	
6700	344956	AN910-1D	26-14	5	
6500	344968	AN910-6	13-104	1	
6500	450500	AN911-1	25-24	2	
6500	449700	AN911-1D	57-	3	
6500	450520	AN911-3	156-	2	
6500	450540	AN911-6	13-103	1	
6500	449840	AN911-6D	101-9	1	
6500	244700	AN912-1	157-16	2	
6500	244600	AN912-1D	57-	1	
6500	244605	AN912-2D	148-43	1	
6500	244726	AN912-4	160-	2	
6500	244727	AN912-7	13-105	6	

Section III
Numerical Index

T.O. 1B-26B-4

STOCK NUMBER			FIGURE and INDEX NUMBER	QTY PER ART- ICAL	SOURCE CODE
CLASS CODE	FIIN or SERIAL NUMBER	PART NUMBER			
6500	244673-5	AN912-7D	57-	2	
6500	244673	AN912-8D	57-	2	
6500	619110	AN913-1	16-8	5	
6500	619104	AN913-1D	10-	3	
6500	619135-55	AN913-1S	34-37	1	
6500	619105	AN913-2D	57-	3	
6500	619130	AN913-6	100-21	1	
6500	619109	AN913-6D	11-23	1	
6500	368787	AN914-6D	11-24	1	
6500	368796	AN915-6	101-68	1	
6500	368770	AN915-6D	11-8	7	
6500	368771	AN915-8D	156-4	1	
6500	354746	AN916-10D	57-54	1	
6500	920170	AN917-1	27-14	1	
6500	920165	AN917-1D	156-13	2	
6500	920167	AN917-3D	156-36	2	
6500	920169	AN917-6D	101-11	1	
6500	348850	AN918-6D	16-34	3	
6500	631373-5	AN919-10D	92-109	1	
6500	631375	AN919-12D	92-26	3	
6500	631410	AN919-14	163-26	2	
6500	631398-26D	AN919-26D	16-32	2	
6500	631372-5	AN919-6D	94-82	4	
6500		AN920-8D	144-2	2	
6500	500800	AN924-10	13-	1	
6500	500791	AN924-10D	16-	3	
6500	500792	AN924-12D	15-	10	
6500	500793	AN924-16D	11-	9	
6500	500785	AN924-2D	15-	7	
6500	500793-5	AN924-24D	13-	3	
6500	500804-7	AN924-3D	76-31	3	
6500	500796	AN924-4	10-64	3	
6500	500787	AN924-4D	11-	AR	
6500	500797	AN924-5	163-	2	
6500	500789	AN924-6D	14-	33	
6500	500790	AN924-8D	11-	45	
6500	282099-7357	AN929-16	16-36	1	
6500	282099-7361	AN929-20	16-26	-1	
6500	282099-71	AN929-4	57-	11	
6600	308104-24	AN931-10-14	131-25	1	
6600	308104-33	AN931-12-20	108-46	1	
6600	308104-35	AN931-14-20	108-27	1	
6600	308104-34	AN931-16-22	55-14	4	
6600	308104-365	AN931-16-30	132-15	2	
6600	308104-36	AN931-24-28	123-40	3	
6600	308100-3	AN931-3-5	57-149	16	
6600	308102-3	AN931-3-9	115-62	2	
6600	308104-26	AN931-4-16	100-29	2	
6600	308100-5	AN931-4-7	123-5	4	
6600	308102-4	AN931-5-9	109-38	4	
6600	308102-7	AN931-6-10	126-8	3	
6600	308103-4	AN931-7-11	168-13	2	
6700	990100	AN935-10	29-	43	
6700		AN935-10L	57-	8	
6700	989000	AN935-4	132-	8	
6700	988980	AN935-4L	29-	15	
6700	990350	AN935-416	26-	13	
6700	989500	AN935-6	42-	14	
6700	989490	AN935-6L	58-	17	
6700	989750	AN935-8	117-	23	
6700	989740	AN935-8L	115-	15	
6700	989510	AN935B6	137-	4	
6700	991640	AN936A4	65-	2	
6700	991520	AN936B10	182-	4	
6700	991560	AN936B416	13-	8	
6700	991505	AN936B8	29-	4	
6700	991384-81	AN936D10	30-9	5	
6500	991384-813	AN936D8	129-	2	
6500	34771-5	AN937D6	95-43	1	
6500	92019-3	AN938D4	94-87	4	
6700	991383-44	AN938D6	95-57	5	
6500	920193-5	AN938D8	92-99	2	
6500	368899-5	AN939D6	92-29	1	
6700		AN945-8	48-64	1	
6500	948000	AN960-10	5-	AR	
			61A-2	2	

STOCK NUMBER			FIGURE and INDEX NUMBER	QTY PER ART- ICAL	SOURCE CODE
CLASS CODE	FIIN or SERIAL NUMBER	PART NUMBER			
6500	985300	AN960-10L	3-35	AR	
6500	984800	AN960-1016	72-14	20	
6500	984900	AN960-1216	2-6	81	
6500	985486	AN960-1216L	2-11	2	
6500	985000	AN960-1416	13-	15	
6500	985100	AN960-1616	143-	2	
6500	983599	AN960-2	53-	2	
6500	983600	AN960-3	88-	6	
6500	983700	AN960-4	29-	116	
6500	985230	AN960-4L	62-25	14	
6500	984200	AN960-416	2-	AR	
6500	985400	AN960-416L	8-	8	
6500	984300	AN960-516	13-	181	
6500	985450	AN960-516L	8-	79	
6500	983800	AN960-6	3-	AR	
6500	985235	AN960-6L	118-	6	
6500	985475	AN960-616L	9-	17	
6500	984500	AN960-716	11-	37	
6500	983900	AN960-8	15-	AR	
6500	985250	AN960-8L	38-	29	
6500	984600	AN960-816	70-37	93	
6500	985480	AN960-816L	61-	2	
6500	984700	AN960-916	84-98	AR	
6500	981135	AN960A4	58-	9	
6500	982800	AN960A8L	29-	AR	
6500	982600	AN960E10	57-	19	
6500	982700	AN960E6	59-	13	
6500	983560	AN960E8	51-	14	
6500	983579	AN960C10	197-	4	
6500	983576	AN960C10L	122-31	5	
6500	983565	AN960C1216	191-37	8	
6500	983580	AN960C416	7-	36	
6500	983568	AN960C416L	61-	11	
6500	983585	AN960C516	178-	30	
6500	983570	AN960C516L	148-11	16	
6500	983550	AN960C616	79-	1	
6500	983573	AN960C8	106-	1	
6500	981700	AN960C816	73-44	1	
6500	982316-6	AN960D10	3-	AR	
6500		AN960D10L	4-	AR	
6500	982305	AN960D12	117-	2	
6500	9823310	AN960D1216	11-	16	
6500	NSL	AN960D1416	80-	1	
6500	983578-3	AN960D16	85-160	1	
6500	981300	AN960D2116	11-	6	
6500	981400	AN960D3	38-	8	
6500	981800	AN960D4	15-	41	
6500		AN960DL4	172A-	12	
6500	982317-3	AN960D416	5-	AR	
6500	981900	AN960D416L	23-	30	
6500	982317-8	AN960D516	5-	83	
6500	981500	AN960D516L	105-	AR	
6500	982316-4	AN960D6	15-	304	
6500	982000	AN960D6L	57-	20	
6500	982318-6	AN960D616	5-	112	
6500	982100	AN960D616L	164-	4	
6500	982318-7	AN960D716	5-	23	
6500	981600	AN960D716L	8-	3	
6500	982316-52	AN960D8	14-	293	
6500	982200	AN960D8L	31-	50	
6500	982250	AN960D816	8-	7	
6500		AN960D916	95-	5	
6700	997054-4	AN960PD416	126-	2	
6500	980400	AN961-8	129-	2	
6500	980500	AN970-3	17-	69	
6500	980600	AN970-4	3-	53	
6500	980700	AN970-5	197-	1	
6500	985700	AN970-6	17-	2	
6500	985800	AN975-3	79-	11	
6500	985900	AN975-4	71-32	8	
6500	631960	AN975-5	80-	3	
6500	632200	AN996-16	80-	1	
8800		AN996-32	80-6	1	
8800		AQ3QTB	58-67	1	
6500	633155	AQ4Q	118-7	1	
6500	633160	ARE4	48-50	2	
3110	112-5613	ARE5	89-22	2	
3110	112-5618	AR3	18-	1	
		AR4-1	48-52	3	
			48-54		

Section III
Numerical Index

T.O. 1B-26B-4

STOCK NUMBER			FIGURE and INDEX NUMBER	QTY PER ART- ICAL	SOURCE CODE
CLASS CODE	FIIN or SERIAL NUMBER	PART NUMBER			
1600	202152424	AS148-ARA8	176-4	2	
1600	206077450	AS215-ARN	172-9	1	
1600	202152073	AS27-ARN5	167-15	2	
			167-17		
1670	034800	AT13-APN3	164-65	1	
1670	031700	AT14-APN3	164-68	1	
1660	201000809	AT234-APX	175-27	1	
1600		AT2561-ARC	169-32	1	
1660	201020150	AT4-ARN1	174-16	2	
		AT4CP	187-15	14	
4259		AYLCS091	153-35	4	
			154-1		
6560	161000-682	A1008-5	38-	2	
6700		A1081M1	118-	2	
4918		A11-4-10017	161-10	2	
		A1110-6Z	119-	2	
		A1179-10Z1	43-	16	
6500		A1181M1	77-	10	
6500		A1181-6Z1	43-	32	
		A1186-6Z1	120-	4	
6500	534490	A1225-10Z1	124-	4	
		A1317	38-	1	
6500		A1350-10Z	119-4	2	
4513		A14765	122-37	1	
4513		A15518	122-33	1	
4513		A15599	122-36	1	
4513		A15760	122-28	1	
4513		A15761	122-34	1	
6500	534374-4	A1663-022-1	53-24	3	
1ADB		A1771M1	117-	AR	
6500	534361-14	A1776-4Z1	122-	10	
6500	534352	A1776M1	90-	4	
		A1777-8Z1	117-	2	
		A1778-8Z1	31-	AR	
		A1778M1	198-	AR	
6500	534361-55	A1779-10Z1	43-	16	
		A1779-8Z	68-	76	
6500		A1779M1	4-	38	
		A1784-6Z1	107-	5	
		A1784-6Z051	118-	1	
		A1786-8Z1	116-	4	
		A1787-8Z	75-	28	

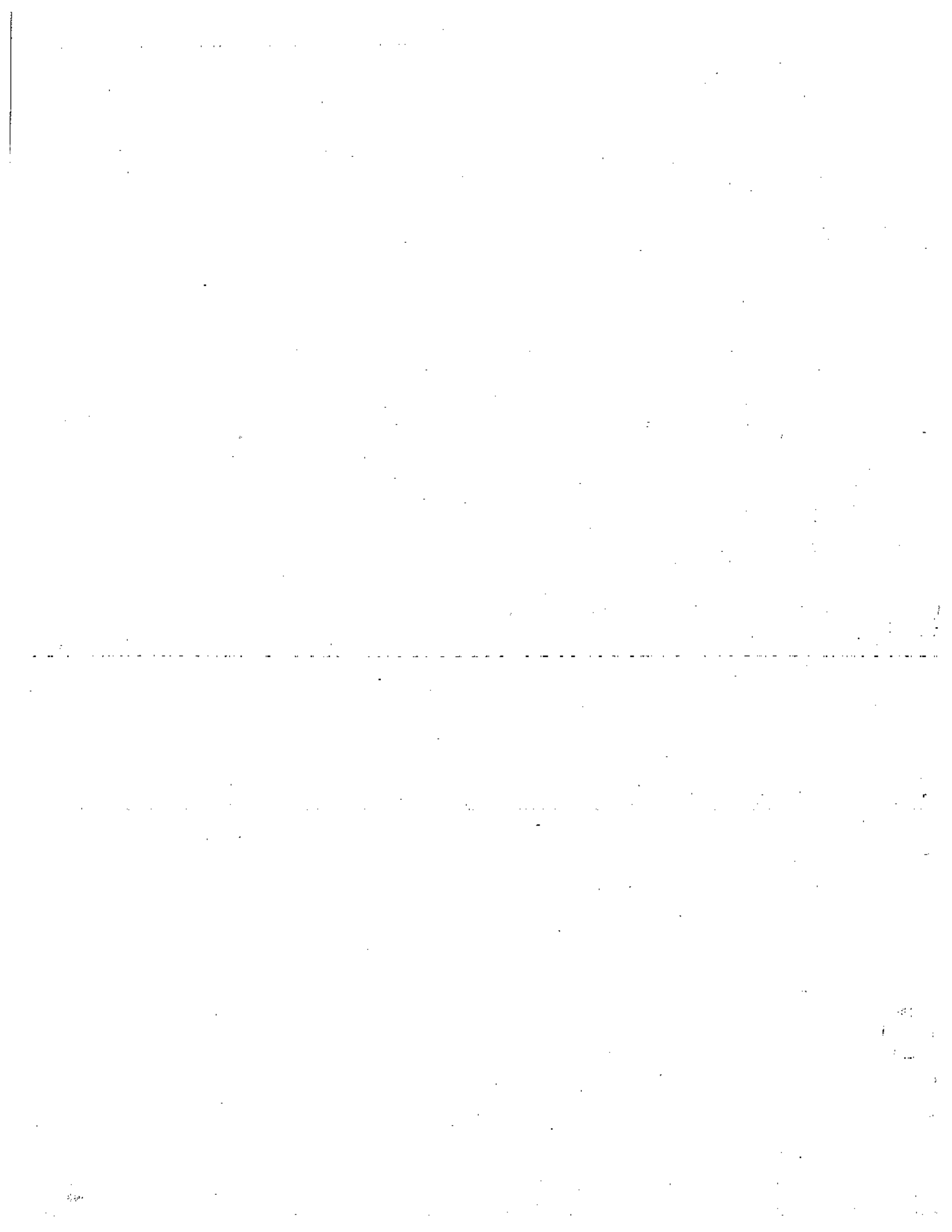
STOCK NUMBER			FIGURE and INDEX NUMBER	QTY PER ART- ICAL	SOURCE CODE
CLASS CODE	FIIN or SERIAL NUMBER	PART NUMBER			
		A1789-8Z1	77-	15	
		A1791-10Z1	116-	4	
		A1794-10Z1	68-	9	
		A1794M1	118-	2	
		A1801-6Z1	115-	12	
		A1801M1	118-	8	
		A1881-8Z	80-	3	
		A1984-8Z	115-	13	
2300		A26B	43-20	1	
6500		A2980A5	109-40	2	
		A2980A36	109-	1	
6500		A2981-4	34-2	10	
6500	916588	A3-20	141-2	4	
6580		A303-2	146-22	1	
6560	161000-238	A304-9	62-	5	
			86-16		
		A3053-18	109-13	1	
		A3122-10-59	157-	20	
6500	327756-35	A3122-12-59	31-12	4	
		A3122-14-59	31-19	10	
6500	327756-42	A3122-16-59	110-87	2	
		A3122-22-59	159-6	20	
			159-11		
6500	295355	A3125-2	118-47	1	
6500	980348	A3135	77-	11	
6500		A3235	2-	28	
6500	980350	A3235-020	62-	32	
6500	980360	A3235-028	4-	110	
6500	327756-43	A3278-1	138-7	2	
8800	876407	A36G	193-7	AR	
			193-10		
6560		A3751	86-41	1	
6560		A403-6	79-62	1	
6560	161000-321	A407-2	146-7	1	
6560		A412-10	105-7	2	
4513		A5013	23-51	1	
4513		A5014	23-52	1	
4513		A5015	23-53	1	
6500	161000-372	A506-2	105-8	1	
6560	161000-4564	A507-4	198-	1	
6560	161000-475	A507-8	198-	1	
6560	NSL	A521-11	48-41	1	
6560	161000-393	A521-4	65-74	4	
			70-13		
6560	161000-447	A532	48-70	1	
6560	161000-516	A538	39-51	3	
			39-22		
		A539	39-28	3	
			39-60		
		A541	80-7	2	
3110	NL	A5934-51	31-8	4	
6500	283947-6	A6049-8	140-	4	
6500		A6052-6Z3	115-	4	
6500	534377-3	A6065-8Z1	106-77	1	
		A6069-8Z1	153-	44	
6500		A6077-8Z3	43-	21	
		A6083-10Z3	111-24	4	
		A6083-6Z3	110-71	2	
6500	534275	A6162-8Z	77-	2	

Section III
Numerical Index

T.O. 1B-26B-4

STOCK NUMBER			FIGURE and INDEX NUMBER	QTY PER ART- ICAL	SOURCE CODE
CLASS CODE	FIIN or SERIAL NUMBER	PART NUMBER			
6500		A6191-10Z3	67-	AR	
			113-		
6500		A6191-6Z3	115	1	
6500		A6191-8Z3	52-	8	
6500		A6195-10Z1	104-	14	
6500		A6195-4Z3	116-	21	
6500		A6195-6Z3	115-	18	
6500		A6195-8Z3	122-	6	
6500		A6206-6Z3	119-	12	
		A6206-8Z3	116-	2	
6500	534033-55	A6220-8Z16	52-	1	
		A6246-8Z3	34-10	6	
6500	534366-55	A6416-8Z	66-	2	
6500	534035-25	A6416-8Z1	167-	5	
6500		A6436-10Z3	107-125	2	
6560		A672-2	39-13	6	
		A6939-375A	54-	8	
			39-43		
6500		A6939-632-032	128-	8	
		A6939-632-125	51-	2	
		A6939-632-187	58-	AR	
6500		A6939-632-2	54-	4	
6500		A6939-632-3	54-	8	
6500	533997	A6939-632-375	135-	16	
6560	161000-621	A741-1	89-7	1	
6500		A7764Z	43-	9	
		A8008D22	172A-	4	
6560	161000-632	A851-4	70-14	1	
6560	161000-6314	A858-1	153-	2	
6560		A865-5	32-32	1	
		A880-6Z3	123-	8	
		A880-6Z1	123-	4	
		A8934-628-125	51-	10	
1600	218962570	BC1333	171-1	1	
1600	212996500	BC1366M	168-6	4	
3110	143-3034	BC4W10	161-40	2	
			162-32		
1600	216792000	BC453B	166-1	1	
1600	214757000	BC473	166-6	2	
1600	291704500	BC727	175-18	1	
1600	214796000	BC732A	167-8	1	
1600	21876315	BC733D	167-3	1	
3360	07344348	BZR31	123-2	2	
3360		B1T20	120-37	2	
			121-34		
3330	399667C98	B120	118-16	1	
4248		B103DIE	29-92	1	
4248		B103DIE-D	107-24	2	
4918		B1128-1L	19-90	2	
4918		B1128-1R	20-74	1	
4918		B1128-2RL	161-12	2	
4918		B1129-1L	19-91	1	
			21-105		
4918		B1129-1R	20-75	2	
			22-94		
4918		B1129-2RL-D	161-25	4	
			162-17		
4918		B1130-1L	19-92	2	
			21-106		
4918		B1130-1R	20-76	2	
			22-95		
4918		B1130-2RL	161-19	4	
			162-12		
4513		B14718	122-27	1	
4513		B15673	122-25	1	
4513		B16010	122-32	1	
3110	120-3103	B1612	12-27	3	
			12-50		
			100-6		
3110	120-3104	B1616X	146-44	1	
3300		B21002-6	29-84	2	

STOCK NUMBER			FIGURE AND INDEX NUMBER	QTY PER ARTICAL	SOURCE CODE
CLASS CODE	FIN OR SERIAL NUMBER	PART NUMBER			
6700		B223	193-	AR	
4500		B4G1646	187-49	2	
		B409RN	61A-3	1	
3110	120-3077	B47X	39-3	2	
3380		B4815	129-12	1	
3110	1203080	B59X	39-33	1	
USE	712-1A	B82393		-	
1ADK		B8244904	116-61	1	
3330		CA275X	29-15	17	
			29-88		
			29-90		
			115-84		
			116-15		
			116-16		



STOCK NUMBER			FIGURE and INDEX NUMBER	QTY PER ART- ICAL	SOURCE CODE
CLASS CODE	FIIN or SERIAL NUMBER	PART NUMBER			
			118-5		
			158-13		
			58-29	1	
6204		CB2100	107-16	1	
4534		CM040-6CC	164-12	1	
1670	142000	CM3-APN3	165-9	1	
		CU92-APN9	170-13	1	
1600	211939981	C118-ARC3	106-29	2	
6700		C193	104-22	2	
6700		C193X10	170-15	1	
1600	224550365	C197-ARC3	175-22	1	
8800		C201039-1	176-29	1	
1600	224550700	C301-ARA8A	175-10	1	
8800		C301018	175-12	1	
8800	NSL	C301018-1	119-2	4	
6600		C321	173-6	1	
1600	214868780	C4-ARN7	169-15	1	
1600	211944735	C626-ARC27	169-23	1	
		C628-ARC27	175-8	1	
1600	211944740	C629-APX6	172A-	1	
		C760A-A	174A-4	1	
		C789-ARA26	168-26	1	
1600	211687270	C97-AIC2	166-2	3	
1600	338622000	DM32	123-69	1	
3300		DYR10011-2X1MFD	123-70	1	
3300		DYR6022-2X25MFD	170-10	1	
		DY21-ARC3	170-11	1	
		DY22-ARC3	172A-16	1	
		DY56B-ARN14	198-	1	
		D030-250	94-101	1	
4801		D10007-4	162-3	2	
4918		D11-6-110012	122-38	1	
4248		D12364	122-26	1	
4513		D15295	122-35	1	
4513		D15485-5	181-20	8	
1015		D28300A	179-13	1	
4200		D65854	119-11	3	
USE	744-4A	D96679	120-20		
3350		ET	121-33		
		E60004-9	172A-4	1	
		E60005-9	172A-14	1	
		E60006-1	172A-	1	
		E60010-9	172A-	1	
		E60013-9	172A-	1	
		E60014-9	172A-48	1	
		E60015	172A-32	1	
		E60024	172A-	1	
		E60034	172A-	1	
		E60035	172A-	1	
		E60045-9	172A-21	1	
		E60046-1	123-47C	1	
		E60046-3	123-47D	1	
		E60046-5	123-47E	1	
		E60046-7	123-47F	1	
		E60048	172A-	28	
		E60050-9	172A-29	1	
		E60051-9	172A-20	1	
		E6006-9	172A-15	1	
3110	143-2997	FL3C6	197-20	2	
1600	387502500	FL30	168-27	1	
		FT161	171-2	1	
1600	292951000	FT213A	173-4	1	
1600	292971500	FT224A	173-7	1	
			176-30	1	
		FT229A	174A-5	1	
1600	293004000	FT231	166-3	1	
1600	294704300	FT233	166-5	1	
1600	293014200	FT235	166-7	1	
1600	293080000	FT240A	170-12	1	
1600	293160000	FT292A	167-9	2	
			174A-5		
1600	293162000	FT293A	167-4	1	
8870		FU39	129-21	2	
6560	159000-281	F312-1	104-	6	
			106-		
			112-		
6560		F400-2	28-18	54	
			182-5		
6560	159000-384	F427-1	105-	2	
6560	159000-461	F503-6	89-6	1	
6560	159000-485	F520-5	82-	1	
6560		F841	61-	4	
6500	NSL	F86-16	13-	12	

Section III
Numerical Index

T.O. 1B-26B-4

STOCK NUMBER			FIGURE and INDEX NUMBER	QTY PER ART- ICAL	SOURCE CODE
CLASS CODE	FIIN or SERIAL NUMBER	PART NUMBER			
2319		GE8DJ20	59-13	1	
2319		GE8DJ20AAC	58-23	1	
2319		GE8DJ20AAD	58-24	1	
2319		GE8DJ20ACY	58-31	1	
2232		G1005A	90-2	1	
2232		G1020A12	90-26	1	
2232		G1020A13	90-22	1	
2232		G1020A5	90-8	1	
2232		G1021A2	90-10	1	
2232		G1024A	90-12	1	
2232		G1025A	90-14	1	
2232		G1029A2	90-1	1	
2232		G1047	90-16	1	
2232		G1048A	90-3	1	
6400	612625	G1750	178-	12	
			196-		
6400		G1750-500	178-63	12	
			196-8		
3380		G34464	116-32	2	
6600	767001-5	H107675-010	48-26	2	
6600	767002	H107675-014	99-31	4	
			146-59		
		H107675-016	14-64	6	
			144-20		
6560		H1620L	52-5	2	
			52-14		
1005		H39G5332	181-14	32	
			182-6		
			186-17		
			186-23		
			191-1		
			192-27		
			192-28		
1280		H39G6031	122-9	1	
1005		H41D10358	192-40	2	
1005		H42D11690	181-18	9	
			192-41		
1600		H43D13505	173-22	1	
		H5000-051-102	172A-	4	
		H78-AIC	50-21	5	
			168-29		
		L-101C	59-12	2	
			167-1		
1670	380200	ID103-APN3	164-59	1	
1660	212604560	ID14-APN1	174-1	1	
1660	212604561	ID14A-APN1	59-10	1	
1670	372200	ID17-APN3	164-17	1	
		ID249A-ARN	58-	1	
		ID250-ARN	58-	1	
		ID251-ARN	172A-10	1	
1600	291730050	IN4A	58-4	1	
3320	331495000	IN88	173-21	AR	
		IB1A	173-11	1	
4202	AN4118-225	JH1197-22-1-2	148-56	1	
4224		JH4E	149-2	2	
3330		JX55B	158-29	2	
1600	347541000	J68-ARC3	170-7	1	
3110	142-4312	KS3L	8-89	1	
3110	142-4317	KS6	70-6	1	
		KY65A-ARA26	174A-1	1	
4513		K14955E	122-		
4849		K1700B1	11-		
			101-25		
4849		K1700B2	13-10		
			101-28		
9BDA		K22220	202-1		
9BDA		K22221	202-		
9BDA		K22222	202-		
9BDA		K22224	202-		
9BDA		K22225	202-		
9BDA		K22228	202-		
9BDA		K22908	202-2		
9BDA		K23302	202-3		
9BDA		K24305	202-4		
9BDA		K26418	202-5		
9BDA		K26419	202-		
9BDA		K26420	202-		
9BDA		K26421	202-		
9BDA		K26422	202-		
9BDA		K26423	202-		
9BDA		K26424	202-		
9BDA		K26427	202-		

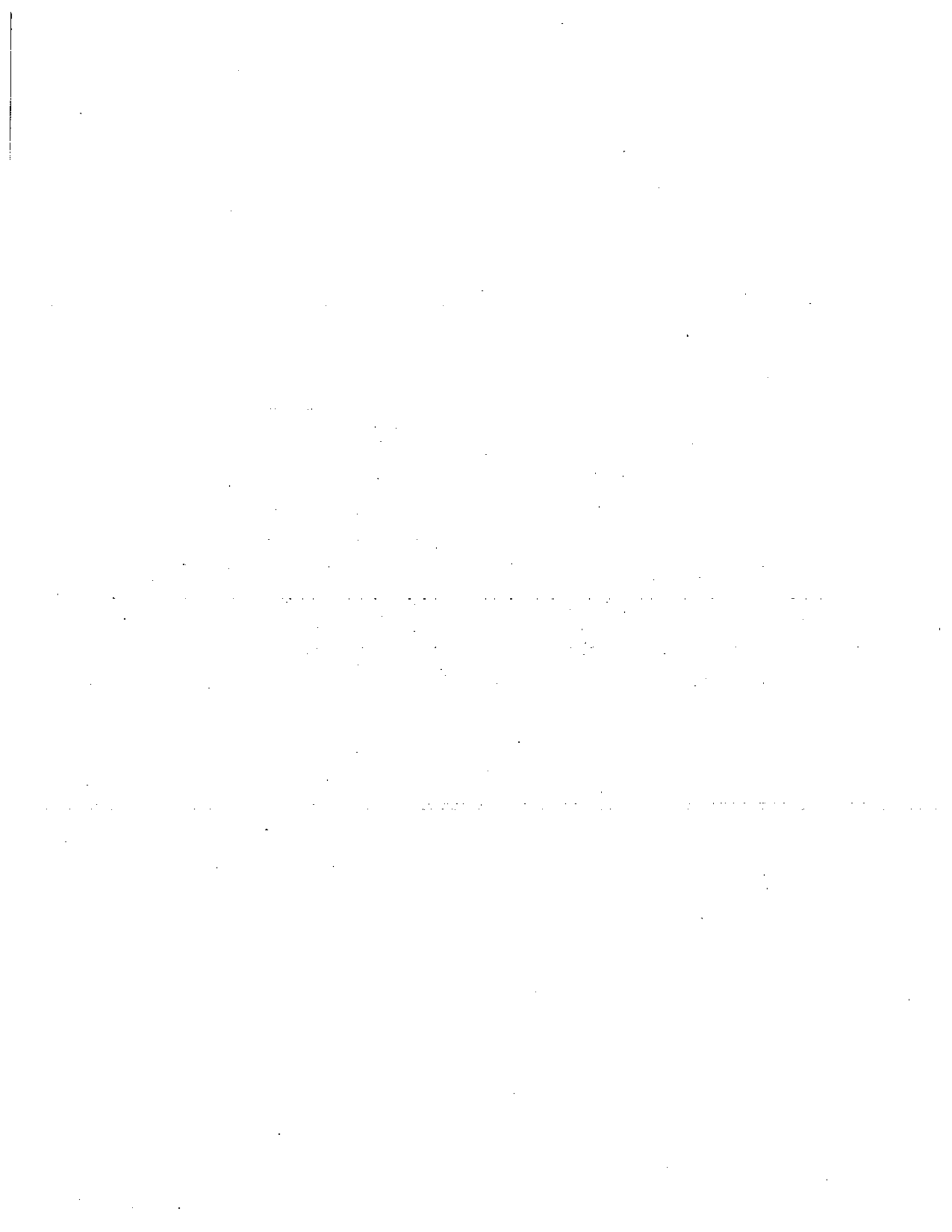
STOCK NUMBER			FIGURE and INDEX NUMBER	QTY PER ART- ICAL	SOURCE CODE
CLASS CODE	FIN or SERIAL NUMBER	PART NUMBER			
9BDA		K26428	202-		
9BDA		K27704	202-6		
9BDA		K27705	202-		
9BDA		K27706	202-		
9BDA		K27707	202-7		
4920	142-3337	K32002	202-8		
9BDA		K33101	202-9		
9BDA		K33301	202-10		
4920	142-3342	K33401	202-11		
4920	142-3343	K33402	202-		
9BDA		K33501	202-12		
9BDA		K33601	202-13		
9BDA		K33701	202-14		
9BDA		K33801	202-		
4920	142-3348	K34001	202-		
9BDA		K34201	202-		
9BDA		K34401	202-15		
4920	142-3350	K34402	202		
4920	142-3351	K34403	202-		
9BDA		K35507	202-		
9BDA		K35509	202-		
9BDA		K35511	202-		
9BDA		K35513	202-		
9BDA		K35515	202-		
9BDA		K35517	202-		
9BDA		K35519	202-		
9BDA		K35521	202-		
9BDA		K35523	202-		
9BDA		K35525	202-		
9BDA		K35527	202-		
9BDA		K39701	202-		
3110	142-4281	K4A	55-6	4	
6600		K7139-14-0216	56-9		
6600		K7139-14-0300	104-	1	
			104-	2	
			110-33		
6600		K7139-14-0316	104-	1	
6600		K7139-5-0216	107-135	3	
			109-5		
6600		K7139-5-0300	104-	1	
6600		K7139-6-0116	107-36	1	
6600		K7139-6-0208	104-	4	
6600		K7139-8-0300	104-	4	
		K7139-8-0316	107-72	1	
6600		K7139-9-0300	104-	1	
3360		LE12	30-3	1	
1005	486-7378	LLB50M3G1-11	192-37	1	
1005	486-7379	LLB50M3G1-15	192-36	1	
1005	486-7373	LLB50M3G1-4	181-	2	
5200	174506-935	LLB50M3G1-5	181-30	2	
1005	486-7376	LLB50M3G1-6	192-35	2	
5200		LLB50M4G1-13	182-	2	
1005	486-7380	LLB50M4G1-23	181-31	4	
5200		LLB50M4G1-6	182-21	4	
5200	174506-945	LLB50M4G1-8	181-	2	
1600	203726520	LP21LM	173-14	1	
		LSS	32-37	1	
6560	431000-427	LUH	68-35	2	
		L367-8	159-41	1	
6126		L368-16	29-	1	
6126		L368-30	29-29	1	
6126		L369-12	115-	1	
6126		L369-26	115-	1	
6500		MA3-1/2	104-	24	
			107-35		
			107-49		
			107-73		
			107-76		
			107-81		
			107-130		
			107-137		
			109-6		
6500		MAS	104-	4	
			110-32		
6500		MA8	10-44	1	
4927		MB49058	149-3	12	
3360	073011750	MCM1902C2	116-44	2	
3360	073011760	MCM1904C2	131-15	1	
1600	298039000	MC124	173-9	1	
1600	287643500	MC136	173-10	2	
1600	287643247	MC211	166-9	4	
1600	298039000	MC215	166-10	2	

Section III
Numerical Index

T.O. 1B-26B-4

STOCK NUMBER			FIGURE AND INDEX NUMBER	QTY PER ARTICAL	SOURCE CODE	
CLASS CODE	FIN OR SERIAL NUMBER	PART NUMBER				
1600	402345000	MC385B	50-17	1		
1600		MC4702	174-18	1		
1600		MC4703	174-19	1		
1600		MC4704	174-	2		
1600		MC4754	174-	1		
1600		MC4754-2	174-13	1		
1600		MC4754-4	174-12	1		
1600		MC4754-6	174-14	1		
1600		MC4754-8	174-11	1		
			MD1577-24	122-1	1	
1600		224556050	MD34-ARA8	176-20	1	
			MK9030692	187-	4	
			MS20002-4C	73-	40	
	MS20002-5		7-	4		
	MS20002-5C		7	4		
	MS20365-1032		61A-2	2		
	MS21919DG16		172A-38	2		
	MS21919DG22		172A-40	2		
	MS25003-10		130-1	1		
	MS25003-5		136-7	4		
	070501059	MS25005-10	123-47B	5		
			129-2			
3360			130-2			
3360			136-6			
3360		070511568 070502040	MS25005-15	136-8	1	
			MS25005-20	129-3	1	
			MS25005-25	129-4	1	
			MS25005-5	123-47A	16	
3360		070500557		129-1		
3360				129-31		
			130-3			
			136-5			
3360			MS25083-1BB3	172A-12	1	
		MS28741-3-0120	191-22	2	M	
		MS28741-3-0150	34-38	2	M	
		MS28741-3-0240	191-23	2	M	
6600		MS28741-3-0250	34-41	4	M	
6600		MS28741-4-0080	96-30	1	M	
6600			97-32			
6600		MS28741-4-0084	95-30	1	M	
6600			95-26			
			97-28			
6600		MS28741-4-0096	95-8	1	M	
			97-6			
	384553-315	MS28741-4-0100	95-34	1	M	
6600			MS38741-4-0104	95-5	1	M
				96-5		

STOCK NUMBER			FIGURE AND INDEX NUMBER	QTY PER ARTICAL	SOURCE CODE
CLASS CODE	FIN OR SERIAL NUMBER	PART NUMBER			
6600			97-12		
6600		MS28741-4-0106	96-6	1	M
		MS28741-4-0113	95-7	1	M
			97-5		
6600		MS28741-4-0124	97-10	1	M
6600		MS28741-4-0140	91-23	1	M
6600		MS28741-4-0154	91-24	5	M
			95-31		
6600			96-27		
6600			97-29		
	395853	MS28741-4-0160	91-25	4	M
			95-10		
6600		MS28741-4-0164	96-10		
		MS28741-4-0174	95-33	1	M
			96-29	1	M
6600			97-31		
6600	384553-3775	MS28741-4-0180	91-21	3	M
			183-6		
6600			184-1		
	384553-3388	MS28741-4-0210	94-	1	M
		MS28741-4-0240	94-57	1	M
6600		MS28741-4-0270	14-104	1	M
6600		MS28741-4-0360	14-86	1	M
6600		MS28741-4-0390	14-79	1	M
6600		MS28741-6-0160	14-76	2	M
			91-6		
6600	384553-3937	MS28741-6-0180	91-12	1	M
		MS28741-6-0270	98-5		M
6600		MS28741-6-0360	14-74	2	M
6600	396182	MS28741-8-0270	14-47	2	M
6600		MS28741-8-0300	14-48	1	M
6600		MS28741-8-0360	14-51	6	M
6600		MS28741-8D0160	160-6	2	M
6600	349195200	MT116-AP	127-14	1	
		MT1161-ARN14	172A-7	1	
		MT1162-ARN14	172A-17	1	



STOCK NUMBER			FIGURE and INDEX NUMBER	QTY PER ART- ICAL	SOURCE CODE		
CLASS CODE	FIIN or SERIAL NUMBER	PART NUMBER					
1600	293339220	MT14-APN1	174-9	1			
1660		MT167-APN3	164-13	1			
1670		293346306	MT203-APN9	165-2	1		
1660		537150	MT215-APN3	164-2	1		
1670		537100	MT216-APN3	164-20	1		
1670		293346339	MT236-ARC3	170-8	1		
1600		298359345	MT237A-ARC3	170-5	1		
1600			MT238A-ARC3	170-2	1		
1600			293345050	MT28-ARN5	168-2	1	
1600			293346285	MT282-ARA8	176-21	1	
1600			293346391	MT285-ARA8	176-27	1	
1660			298359549	MT362A	175-6	1	
1660			298360060	MT589-ARN12	172-2	1	
				MT691-ARN18	172A-23	1	
				MT796-U	174A-2	1	
				MT82-ARC27	169-19	1	
1600	293348991	MT822-ARC27	169-5	1			
1600		MW2	119-27	3			
3350			120-38				
			121-30				
			50-19	5			
			168-28				
1600		291491650	MX369-ARA8	134-24	1		
3350		857500-2195	M100R	54-17	2		
5901			M8640518	187-31	8		
5901			M8640525	187-10	1		
5901		M8653002	187-53	1			
		NAF48379-3	115-12	1			
		NAS121R093	43-36	2			
		NAS121R187	83-	3			
		NAS123R125	84-68	2			
		NAS124W187	83-	6			
6500	983539	NAS143-12	5-	13			
6500	980312	NAS143-12C	5-	5			
6500	980290	NAS143-4C	9-	11			
6500	983536	NAS143-5	5-	2			
6500		NAS143-5C	5-	3			
6500	980300	NAS143-6C	192-	8			
6500	983538	NAS143-7	5-	4			
6500	980302	NAS143-7C	5-	4			
6500	980304	NAS143-8C	181-	32			
6500	983538-3	NAS143-9	5-	2			
6500		NAS143-9C	5-	2			
6500	107001	NAS144-11	5-6	8			
6500	105501-5	NAS144DH72	9-36	2			
6500	107070-5	NAS145-26	7-28	4			
		NAS145-58	5-30	2			
6500	107164	NAS147-32	7-33	4			
		NAS147-66	5-23	4			
		NAS148-105	5-61	2			
6500	107271	NAS148-126	5-60	2			
		NAS148-52	5-54	2			
6500	107237	NAS148-58	5-55	2			
		NAS149-62	5-29	2			
6500	105803	NAS152DH39	5-34	1			
6500	105810	NAS152DH54	38-47	2			
6500	105811	NAS152DH56	38-48	2			
		NAS191-10	175-20	1			
		NAS191-12	29-64	3			
		NAS191-14	116-85	AR			
		NAS191-2	122-17	1			
		NAS191-4	116-54	3			
		NAS191-7	158-	4			
		NAS191-8	158-15	4			
4923		NAS198B093	81-20	1			
		NAS198R093	92-68	1			
4923		NAS198R125	83-102	3			
6700	317942	NAS2-101A	80-9	1			
		NAS21-1-191	158-	8			
		NAS21-2-191	116-30	29			
		NAS220-21	116-71	8			
		NAS221-13	5-9	8			
		NAS221-14	65-8	1			
		NAS221-19	38-108	63			
		NAS221-27	65-35	1			
		NAS221-28	87-82	1			
		NAS221-29	65-43	1			
		NAS221-8	7-47	45			
		NAS221-9	42-15	8			
		NAS222-11	142-12	2			
		NAS222-25	65-13	1			
		NAS222-29	65-12	1			

Section III
Numerical Index

T.O. 1B-26B-4

STOCK NUMBER			FIGURE and INDEX NUMBER	QTY PER ART- ICAL	SOURCE CODE
CLASS CODE	FIIN or SERIAL NUMBER	PART NUMBER			
6500	IADB	NAS224-15	187-29	4	
		NAS228-13	172A-	4	
6531	503500-539	NAS229-14	172A-11	16	
		NAS334P11	64-61	4	
		NAS354-4-4000	154-3	2	
		NAS427K10	20-17	9	
		NAS427K12	21-10	8	
		NAS427K13	22-8	3	
		NAS427K14	12-3	18	
		NAS427K15	12-20	5	
		NAS427K16	19-93	9	
		NAS427K19	88-13	1	
		NAS427K21	90-93	2	
		NAS427K22	18-27	4	
		NAS427K23	17-18	2	
		NAS427K24	78-27	4	
		NAS427K25	17-30	6	
		NAS427K27	28A-36	2	
		NAS427K36	19-76	4	
		NAS427K38	87-141	7	
		NAS427K44	78-74	1	
		NAS427K46	88-39	2	
NAS427K48	87-16	7			
NAS427K52	78-21	1			
NAS427K58	87-116	2			
NAS427K8	87-56	2			
NAS43DD10-9	7-	4			
NAS43DD12-12	116-	3			
NAS43DD2-20	70-66	5			
NAS43DD2-20B	57-	4			
NAS43DD2-214	17-	1			
NAS43DD2-28	88-25	2			
NAS43DD2-37	126-	4			
NAS43DD2-46	70-68	2			
NAS43DD2-48	79-	4			
NAS43DD2-8	70-67	3			
NAS43DD3-14	19-48	8			
NAS43DD3-16	87-78	2			
NAS43DD3-18	32-	11			
NAS43DD3-20	92-	2			
NAS43DD3-210	81-	1			
NAS43DD3-22	68-59	2			
NAS43DD3-220	119-	3			
NAS43DD3-222	82-70	1			
NAS43DD3-244	57-	4			
NAS43DD3-232	82-81	1			
NAS43DD3-32	17-	3			
NAS43DD3-36	78-82	2			
NAS43DD3-42	21-73	4			
NAS43DD3-46	12-	2			
NAS43DD3-54	17-	2			
NAS43DD3-60	82-80	1			
NAS43DD3-72	175-24	4			
NAS43DD4-10	79-19	2			
NAS43DD4-14	78-17	1			
NAS43DD4-16	78-18	1			
NAS43DD4-28	88-26	1			
NAS43DD4-40	19-55	2			
NAS43DD4-56	90-	1			
NAS43DD4-62	78-24	1			
NAS43DD6-14	79-69	1			
NAS43DD6-24	79-70	1			
NAS43DD6-24A	8-5	2			
NAS43DD6-44	86-53	1			
NAS43DD6-62	79-68	1			
NAS43HT2-08	103-51	2			
NAS43HT2-20	60-	14			
NAS43HT2-32	31-42	3			
NAS43HT2-62	29-	4			
NAS43HT3-06	197-	4			
NAS43HT3-20	69-	2			
NAS43HT3-32	31-43	8			
NAS43HT3-38	17-36	1			
NAS43HT4-10	35-57	2			

STOCK NUMBER			FIGURE and INDEX NUMBER	QTY PER ART- ICAL	SOURCE CODE
CLASS CODE	FIIN or SERIAL NUMBER	PART NUMBER			
		NAS43HT4-18	64-50	4	
		NAS43HT4-32	31-44	2	
		NAS43HT4-604	101-	2	
		NAS43HT5-18	105-15	1	
		NAS43HT6-238	198-	2	
		NAS44-191P2	116-88	3	
		NAS44-191P3	42-42	1	
		NAS44-191P4	119-18	1	
		NAS487-15	172A-	4	
6700	480911-53	NAS51-100	13-121	2	
6700	480901	NAS51-31	120-44	2	
6700	480907	NAS51-62	194-27	4	
6500	007805	NAS53-12	55-27	1	
6500	007810	NAS53-15	70-30	1	
6500	007930	NAS54-13	5-45	4	
6500	007938	NAS54-17	5-53	1	
6500	NSL	NAS55-22	143-76	2	
USE	AN177-32A	NAS57A32	-	-	
USE	AN177-33A	NAS57A33	-	-	
6500	008655	NAS60-17-5	145-58	2	
6500	008795	NAS62-37	181-6	0	
6500	244255	NAS75-3-007	52-	1	
6500		NAS75-3-018	12-33	3	
6500	244255-76	NAS75-4-006	64-36	2	
6500	244260-55	NAS75-4-008	52-	1	
6500	244267-2	NAS75-4-024	52-	1	
		NAS75-6-028	52-15	1	
		NAS75-6-032	8-4	2	
6500		NAS76A3-005	65-38	5	
6500	244244-555	NAS76AB-024	65-	1	
6500		NAS334PA13	65-64	1	A
		NAS80-23A	35-	2	
		NAS94-3375	82-	1	
4923		NAS94-4000	153-37	2	
4923		NC28	117-	1	
3380		ND21	117-58	1	
3380	157-0617	NR8L14	48-55	1	
3110		N04	23-5	1	
3360	070520002	PGM200	29-21	1	
6400	224902	PK1A1	90-18	3	
			90-33		
6700		PK114Z10-7	94-161	4	
6700		PK114Z4-28	28-27	AR	
		PK114Z4-9	28-28	2	
6700		PK114Z8-7	123-18	2	
6700	747772-267	PK79XZ6-6	74-25	16	
8850	461829	PL108	171-10	3	
			173-3		
			173-17		
8850		PL112	173-18	1	
8850	460360	PL219	171-9	2	
			172-6		
8850	460433	PL259A	172-10	1	
4248		PSH3206-L	115-59	1	
4248		PSH3206-R	115-	1	
4294	C7350	PU7-AP	127-13	1	
1005		P10164	28-	1	
5200		P10165	28-	1	
		P10170	28-	1	
		P10175	28-	1	
		P215-32	13-	1	
		P8633-72	137-3	1	
		P9005063	187-20	1	
		P9005064	187-22	1	
		P9005069	187-33	1	
5200	745100	Q237	193-11	AR	
6590	NSL	RA2259	195-18	3	
3110	157-0610	RBC4	8-61	6	
			8-65		
			8-104		
3110	157-0611	RBC5	8-70	4	
			23-15		
3110	157-0613	RBC6	8-53	3	
			8-108		
3110	157-0616	RBC7	8-54	2	
			8-71		
3110	157-0618	RBC8	8-98	10	
			8-109		
			8-113		
			23-17		
			143-		

Section III
Numerical Index

T.O. 1B-26B-4

STOCK NUMBER			FIGURE and INDEX NUMBER	QTY PER ART- ICAL	SOURCE CODE
CLASS CODE	FIN or SERIAL NUMBER	PART NUMBER			
3370		RCA3AP1-906PI	58-36	1	
		RC20BF511J	172A-33	4	
		RC30BF511J	172A-34		
		RC41BF470K	172A-35	4	
3110	173-5072	REB3N	19-17	32	
			19-28		
			19-96		
			20-18		
			20-69		
			21-19		
			21-29		
			21-43		
			21-111		
			22-18		
			22-40		
			22-99		
			82-		
			116-49		
			153-38		
			154-4		
			161-22		
			161-46		
			162-15		
			162-38		
3110	173-5075	REB3N2	81-8	2	
1600	295268417	RE13-ARA8	176-26	1	
3110	173-5074	RE3FL4	8-82	3	
			8-124		
			9-51		
3110	173-5073	RE3F4	8-83	6	
			8-87		
			8-125		
			9-52		
			72-35		
3110	173-5077	RE4F5	81-53	2	
6500		RL23SB7	70-	21	
6500		RL31SB9	70-18	2	
3350	885000-2611	RP112FE501KK	175-14	1	
		RRL2A3E	70-60	5	
			70-92		
3380		RS2	116-36	6	
			132-19		
1600	218997125	RT178-ARC27	169-1	1	
1660	218993075	RT7-APN1	174-8	1	
		RT82-APX6	175-1	1	
1600	224565158	R122-ARN12	172-1	1	
1670	682900	R15-APN3	164-18	1	
		R205SB6	187-17	2	
6500	444953	R205SB7	70-	23	
			187-18		
			200-40	1	
6400	242485	R24789	172A-6	1	
		R252E-ARN14	149-1	2	
0200		R2800-27	149-	2	
0200		R2800-71	149-	2	
0200		R2800-79	70-20	2	
6500	444954-6	R307SB9	172A-22	1	
		R322-ARN18	173-1	1	
1600	214349630	R5A-ARN7	192-10	2	
5200	172518	R611-32	192-14		
			192-11	2	
5200	172537	R611-33	192-15		
			192-17	1	
5200	172519	R611-34	192-16	1	
5200	172538	R611-35	165-1	1	
1660	215157865	R65-APN9	170-4	1	
1600	215157921	R77-ARC3	54-34	2	
		SATSC46D2651-1	164-54		
1600	394427482	SA1A-ARN1	135-12	2	
			174-6		
4219		SA1893A	136-3	1	
3360		SA26-U	50-23	1	
1600	394427500	SA3-A	132-27	2	
			175-16		
8850	328812	SC-D2219	173-18	1	
6560	159000-34E	SF400-4	108-	2	
4911		SK470-0E	152-38	32	
4911		SK470-1	155-41	32	
			155-64		
		SK470-1E	152-50	2	
		SP5096	180-18	1	
		SP5097	180-15	1	
		SS7L	58-38	1	

Section III
Numerical Index

T.O. 1B-26B-4

STOCK NUMBER			FIGURE and INDEX NUMBER	QTY PER ART- ICAL	SOURCE CODE
CLASS CODE	FIIN or SERIAL NUMBER	PART NUMBER			
1ADB		1000759S120-1108	47-10	1	
		1000759S120-1128	27-28	2	
		1000759S120-1212	116-83	1	
		1000759S120-168	27-27	2	
1ADB		1000759S120-1916	4-25	1	
1ADB		1000759S120-2416	4-26	1	
1ADB		1000759S120-2705	32-5	2	
1ADB		1000759S120-3016	32-6	2	
1ADB		1000759S120-3105	32-4	2	
1ADB		1000759S120-3200	32-3	2	
1ADB		1000759S120-4000	7-13	4	
1ADB		1000759S120-428	41-12	1	
		1000759S120-713	153-80	8	
		1000759S120-803	28-4	4	
1ADB		1000822-8300	50-80	2	
			67-65		
		1000822N4616	50-81	4	
			67-66		
1ADB		1000822N4908	60-15	4	
			67-67		
6700	854076-15	10012	70-53	1	
4801		10019	94-102	1	
USE	AN385H10P10	1004340-6	-	-	
4801		10078	94-122	1	
1ADB		1009677	60-32	3	
3350	650000-2131	1011	29-40	2	
6500		1012953D024-008	147-9	2	
USE	AN6229-16	1012954D024-008	-	-	
USE	AN6229-20	1012954D100-008	-	-	
USE	AN6229-22	1012954D104-008	-	-	
		1019534	50-26	2	
		1023500	115-63	2	
		1024891	81-29	2	
1ADB		1024892	81-28	2	
1ADB		1024895	81-27	2	
1ADB		1026421	72-29	1	
1ADB		1026614-13-017	153-60	2	
1ADB		1026614-3-005	27-	4	
1ADB		1026614-3-006	64-11	5	
			73-		
1ADB		1026614-3-012	73-	2	
1ADB		1026614-3-017	153-45	4	
1ADB		1026614-3-018	142-75	1	
1ADB		1026614-3-026	187-	1	
1ADB		1026614-3-106	73-	1	
1ADB		1026614-3-131	142-	1	
1ADB		1026614-4-002	8-	8	
1ADB		1026614-4-008	187-65	1	
1ADB		1026614-4-009	68-24	4	
1ADB		1026614-4-010	92-44	1	
1ADB		1026614-4-016	5-37	4	
1ADB		1026614-4-017	153-53	2	
1ADB		1026614-4-021	153-	8	
1ADB		1026614-4-022	9-	1	
1ADB	1560-221-6843	1026614-4-023	153-	2	
1ADB		1026614-4-024	9-37	1	
1ADB		1026614-4-027	153-	8	
1ADB		1026614-4-030	8-	4	
1ADB		1026614-4-101	8-	3	
1ADB		1026614-4-102	60-	4	
1ADB		1026614-4-106	200-	2	
1ADB		1026614-5-004	105-	1	
1ADB		1026614-5-021	179-	1	
1ADB		1026614-5-120	200-	8	
1ADB	1560-234-3839	1026614-6-020	145-38	1	
1ADB		1026614-8-022	61-	1	
1ADB		1026614-8-024	61-	1	
1ADB		1026614G16-301	143-	2	
1ADB		1026614G2-024	95-	4	
			98-3		
1ADB		1026614G3-005	83-125	1	
			84-142		
			85-143		
1ADB		1026614G3-014	19-25	2	
			83-138		
			84-157		
			85-158		
1ADB		1026614G3-018	64-14	7	
1ADB		1026614G3-020	19-26	1	

STOCK NUMBER			FIGURE and INDEX NUMBER	QTY PER ARTI- CAL	SOURCE CODE
CLASS CODE	FIIN or SERIAL NUMBER	PART NUMBER			
1ADB		1026614G3-024	19-15	1	
1ADB		1026614G3-027	70-57	5	
1ADB		1026614G3-031	82-79	1	
1ADB		1026614G3-101	146-	1	
1ADB		1026614G3-118	82-68	2	
1ADB		1026614G3-229	197-	1	
1ADB		1026614G4-011	145-	4	
			198-51	3	
1ADB		1026614G4-015	145-		
			179-35		
1ADB		1026614G4-016	145-	22	
			195-		
1ADB		1026614G4-017	198-57	2	
1ADB		1026614G4-020	68-	1	
1ADB		1026614G4-021	5-	4	
			48-	6	
			48-	7	
1ADB		1026614G4-024	71-58	4	
1ADB		1026614G4-106	64-28	1	
1ADB		1026614G4-107	71-62	8	
1ADB		1026614G5-005	71-63	4	
1ADB		1026614G5-024	71-48	4	
1ADB		1026614G6-029	145-	1	
1ADB		1026614G6-104	143-	2	
1ADB		1026614G6-116	96-	4	
1ADB		1026614G7-024	71-	2	
1ADB		1026614G8-017	—	—	
USE	AN520-10R10	1027300-10-10	—	—	
		1027300-10-11	43-69	4	
USE	AN520-10R12	1027300-10-12	—	—	
USE	AN520-10R14	1027300-10-14	—	—	
USE	AN520-10R20	1027300-10-20	—	—	
USE	AN520-10R24	1027300-10-24	—	—	
USE	AN520-10R8	1027300-10-8	—	—	
USE	AN520-416R12	1027300-416-12	—	—	
USE	AN520-8R20	1027300-8-20	—	—	
USE	AN520-8R6	1027300-8-6	—	—	
USE	AN515-6R36	1027301-6-36	—	—	
USE	AN515-6R8	1027301-6-8	—	—	
USE	AN515-8R10	1027301-8-10	—	—	
USE	AN515-8R5	1027301-8-5	—	—	
USE	AN515-8R8	1027301-8-8	—	—	
6700	725606-625	1027301-8-9	43-46	1	
1ADB		1027305-6-10	115-	4	
USE	AN500A10-20	1027306-10-20	—	—	
1ADB		1027306-4-35	155-32	34	
USE	AN500A4-4	1027306-4-4	—	—	
USE	AN500A4-6	1027306-4-6	—	—	
1ADB		1027306-6-27	155-60	2	
USE	AN500A6-28	1027306-6-28	—	—	
USE	AN501A10-29	1027307-10-29	—	—	
USE	AN501A10-30	1027307-10-30	—	—	
USE	AN501A416-28	1027307-416-28	—	—	
1ADB		1027965-091-514	48-8	1	
1ADB		1027965-091-614	41-46	3	
1ADB		1027965-093-098	63-75	1	
1ADB		1027965-093-908	62-67	1	
USE		1029421-10-10	—	—	
USE	AN509-10R10	1029421-10-11	3-12	AR	
1ADB		1029421-10-12	3-	AR	
1ADB		1029421-10-13	4-	92	
1ADB		1029421-10-14	3-	AR	
USE	AN509-10R14	1029421-10-15	—	—	
1ADB		1029421-10-16	4-	AR	
USE	AN509-10R16	1029421-10-17	—	—	
1ADB		1029421-10-18	74-21	1	
1ADB		1029421-10-20	3-	12	
1ADB		1029421-10-24	153-41	12	
			153-47		
			153-64		
USE	AN509-10R31	1029421-10-32	—	—	
1ADB		1029421-10-6	73-30	40	
1ADB		1029421-10-7	3-18	AR	
1ADB		1029421-10-8	3-15	AR	
USE	AN509-10R8	1029421-10-9	—	—	
1ADB		1029421-416-10	186-34	2	
1ADB		1029421-416-11	32-	4	
1ADB		1029421-416-12	6-4	204	
USE	AN509-416R12	1029421-416-13	—	—	
1ADB		1029421-416-14	6-	AR	
USE	AN509-416R14	1029421-416-15	—	—	
USE	AN509-416R15	1029421-416-16	—	—	

Section III
Numerical Index

T.O. 1B-26B-4

STOCK NUMBER			FIGURE and INDEX NUMBER	QTY PER ART- ICAL	SOURCE CODE
CLASS CODE	FIIN or SERIAL NUMBER	PART NUMBER			
USE	ANS09-416R16	1029421-416-17	-	-	
USE	ANS09-416R17	1029421-416-18	-	-	
USE	ANS09-416R19	1029421-416-20	-	-	
USE	ANS09-416R23	1029421-416-24	-	-	
USE	ANS09-416R27	1029421-416-28	-	-	
USE	ANS09-416R31	1029421-416-32	-	-	
USE	ANS09-416R37	1029421-416-38	-	-	
USE	ANS09-416R39	1029421-416-40	-	-	
USE	ANS09-516R13	1029421-516-14	-	-	
1ADB		1029421-6-10	103-58	6	
1ADB		1029421-6-16	64-2	6	
USE	ANS09-8R9	1029421-8-10	-	-	
USE	ANS09-8R15	1029421-8-16	-	-	
USE	ANS09-8R16	1029421-8-17	-	-	
1ADB		1029657P10-10	38-104	42	
USE	NAS221-14	1029657P10-13	-	-	
1ADB		1029657P10-14	38-99	204	
1ADB		1029657P10-16	68-28	4	
USE	NAS221-19	1029657P10-18	-	-	
1ADD		1029657P10-20	38-110	14	
USE	NAS221-27	1029657P10-26	-	-	
USE	NAS221-28	1029657P10-27	-	-	
USE	NAS221-29	1029657P10-28	-	-	
1ADB		1029657P10-8	42-15	AR	
USE	NAS222-25	1029657P416-24	-	-	
USE	NAS222-29	1029657P416-28	-	-	
USE	NAS220-21	1029657P8-20	-	-	
USE		1029679P10-10	6-20	-	
USE	NAS221-13	1029679P10-12	-	-	
USE	NAS221-8	1029679P10-7	-	-	
1ADB		1029679P10-8	142-6	AR	
1ADB		1029679P10-9	71-7	48	
USE	NAS222-11	1029679P416-10	-	-	
USE	NAS224-11	1029679P616-10	-	-	
1ADB		1029679P8-8	17-2	10	
		1029679S10-18	43-34	4	
		1029679S10-8	43-33	3	
		1029679S10-9	43-38	4	
		1029679S8-14	18-37	2	
		1035349	8-	34	
			161-		
		1048705-21	70-11	2	
6700		105	52-23	1	
6700	221975	105A	64-32	2	
			65-20		
			73-40		
3350		10539	13-111	1	
3350		10539-1	13-	1	
		1056306	82-55	1	
		1056307	82-56	1	
		1056308	82-54	1	
		1058047-1	69-9	55	
		1058047-5	2-28	28	
		1059606-4-24	89-10	2	
		1059606-4-27	89-9	2	
		1059606-4-33	89-11	2	
		1059608-3125-699-833	5-	6	
		1059608C625-1250-125	12-44	5	
		106-61026	182-12	3	
		106-61026-1	182-13	3	
		1060325	18-	4	
		1060325-2	18-43	4	
		1066151	15-18	4	
1ADB		1067507	81-21	1	
1ADB		1067507-1	43-37	10	
1ADB		1067510-416-4	52-18	2	
1ADB		1073530B024-008	147-12	2	
1ADB		1073530B100-008	99-6	2	
1ADB		1073530B104-008	144-11	3	
			146-		
1ADB		1074724-016	147-25	2	
1ADB		1074744-3D1064	87-93	1	
1ADB		1074744-3D1109	87-101	1	
1ADB		1074744-3D117	87-	2	
1ADB		1074744-3D1331	87-119	1	
1ADB		1074744-3D141	19-74	4	
1ADB		1074744-3D156	19-75	3	
1ADB		1074744-3D1604	87-113	1	
1ADB		1074744-3D1750	87-135	3	
1ADB		1074744-3D203	87-77	1	

STOCK NUMBER			FIGURE and INDEX NUMBER	QTY PER ART- ICAL	SOURCE CODE
CLASS CODE	FIIN or SERIAL NUMBER	PART NUMBER			
1ADB		1074744-3D223	87-94	1	
1ADB		1074744-3D297	19-73	4	
1ADB		1074744-3D343	87-95	1	
1ADB		1074744-3D455	87-	2	
1ADB		1074744-3D516	21-88	1	
1ADB		1074744-3D593	87-90	1	
1ADB		1074744-3D594	87-18	10	
1ADB		1074744-3D969	87-89	4	
1ADB		1074744-45906	143-32	2	
USE	MS20002-4C	1075888-4C	-	-	
USE	MS20002-5	1075888-5	-	-	
USE	MS20002-5C	1075888-5C	-	-	
1ADB		1075888-7	7-	4	
1ADB		1075888-7A	7-	4	
1ADB		1075888-8	5-	4	
1ADB		1075888-8A	5-	4	
1ADB		107926-2	58-41	1	
6600	267599-92632	1080930-03B.093-011	62-	105	
6600		1080930-03E.093-014	62-20	8	
6600		1080930-03C.187-004	49-	89	
6600		1080930-04E.062-002	2-	28	
6600		1080930-04E.062-1816	60-38	1	
6600		1080930-04C.064-020	49-	57	
6600	267599-93585	1080930-04C.064-112	49-	16	
6600	926624-3	1080930-08E.156-003	13-16	2	
6600		1080930-08D.125-1516	111-44	1	
6600	926624-33	1080930-08E.312-028	152-31	8	
6600		1080930-12D.124-816	103-61	1	
6600	926635	1080930-12D.125-816	110-111	1	
6600	269599-9292	1080930-12E.062-1200	189-49	4	
1ADB		1085061-1224	101-	1	
1ADB		1085061-2100	101-	1	
1ADB		1087510-10-10	9-2	AR	
USE	AN507-1032R12	1087510-10-12	-	-	
USE	AN507-1032R14	1087510-10-14	-	-	
USE	AN507-1032R16	1087510-10-16	-	-	
USE	AN507-1032R18	1087510-10-18	-	-	
USE	AN507-1032R20	1087510-10-20	-	-	
USE	AN507-1032R60	1087510-10-59	-	-	
USE	AN507-1032R6	1087510-10-6	-	-	
USE	AN507-1032R7	1087510-10-7	-	-	
USE	AN507-1032R8	1087510-10-8	-	-	
USE	AN507-1032R9	1087510-10-9	-	-	
1ADB		1087510-4-19	123-	4	
USE	AN507-440R6	1087510-4-6	-	-	
USE	AN507-428R10	1087510-416-10	-	-	
USE	AN507-428R12	1087510-416-12	-	-	
USE	AN507-428R14	1087510-416-14	-	-	
USE	AN507-428R16	1087510-416-16	-	-	
USE	AN507-428R24	1087510-416-24	-	-	
USE	AN507-632R10	1087510-6-10	-	-	
USE	AN507-632R12	1087510-6-12	-	-	
USE	AN507-632R8	1087510-6-8	-	-	
USE	AN507-832R10	1087510-8-10	-	-	
1ADB		1087510-8-11	111-38	4	
USE	AN507-832R12	1087510-8-12	-	-	
1ADB		1087510-8-6	42-30	5	
USE	AN507-832R7	1087510-8-7	-	-	
USE	AN507-832R8	1087510-8-8	-	-	
1ADB		1087510-8-9	111-41	17	
USE	AN507C428R10	1087510SS416-10	-	-	
USE	AN507C832R8	1087510SS8-8	-	-	
1ADB		1093732	115-34	4	
			132-26		
		1093736-1	158-27	4	
		1093745-1125-2	118-40	1	
1ADB	4872	1093751-12200	189-48	4	
		1094	96-68	2	
			97-79		
4872		1096	96-49	1	
			97-60		
1ADK		11-260	149-5	14	
1ADK		11-261	149-6	2	
1ADK		11-262	149-7	2	
1ADB		110242-3-11H	115-28	1	
1ADB		110242-3-12W	30-36	2	
1ADB		110242-3-5H	29-	16	
1ADB		110242-3-7HP	145-25	1	
1ADB		110242-4-12H	178-59	48	
1ADB		110242-4-14H	178-61	32	

Section III
Numerical Index

T.O. 1B-26B.4

STOCK NUMBER			FIGURE and INDEX NUMBER	QTY PER ART- ICAL	SOURCE CODE
CLASS CODE	FIIN or SERIAL NUMBER	PART NUMBER			
1ADB		110242-5-15H	80-47	1	
1ADB		110242-5-17H	80-46	1	
1ADB		110242-5-7HP	81-70	2	
1ADB		110242-6-15HP	143-51	4	
1ADB		110242-8-14H	196-3	16	
		110674	31-67	4	
1ADB		1109566-2-8	89-8	4	
1ADB		1111908-116-128-094	26-3	3	
			76-		
1ADB		1111908-130-204-188	99-21	1	
1ADB		1111908-224-230-188	99-11	1	
1ADB		1111908-228-302-188	147-7	1	
1ADB		1111908-304-310-188	146-55	1	
1ADB		1111908-316-322-188	144-7	2	
1ADB	1560-122-0905	1114003-5-12	18-50	4	
		1114130A8A6	104-66	2	
1ADB		1114189-10-8	68-	108	
1ADB		1114189-28-12	198-	AR	
1ADB		1114189-28-14	198-	AR	
		1114189-28-6	76-27	5	
1ADB		1114189-6-6	69-59	18	
1ADB		1114189-8-14	68-	44	
1ADB		1114189-8-6	77-19	2	
1ADB		1114189A10-10	195-65	2	
1ADB		1114189A6-10	195-70	8	
1ADB		1114189A8-8	117-64	2	
1ADB		1114189Z10-10	10-54	16	
1ADB		1114189Z10-8	101-30	10	
1ADB		1114189Z4-10	116-	5	
1ADB		1114189Z4-8	29-71	30	
USE	PK79X26-6	1114189Z6-6	-	-	
6700	747772-269	1114189Z6-8	69-14	AR	
1ADB		1114189Z8-10	42-51	24	
1ADB		1114189Z8-12	60-16	AR	
1ADB		1114189Z8-16	73-34	34	
6700	747772-444	1114189Z8-6	61-18	85	
1ADB		1114189Z8-8	66-11	AR	
USE	AN530-10R6	1114190A8R6	107-5	8	
1ADB		1114190Z10-6	-	-	
		1114190Z10R5	111-25	8	
		1116218	83-108	1	
			84-121		
			85-38		
1ADC		1116233	83-107	1	
			84-120		
			85-37		
1ADC		1117030	57-202	1	
1ADB		111904-8-322N	146-49	2	
1ADK		1122811	197-19	1	
1ADK		1122812	197-18	1	
1ADK		1122832	148-5	6	
1ADK		1122833	148-4	6	
1ADK		1122834	148-3	6	
1ADK	1560-123-4572	1122850	18-20	1	
1ADK		1122861	81-51	2	
1ADK	1560-185-4488	1122864	155-30	34	
			155-47		
1ADK		1122865	155-31	2	
1ADK		1122866	151-16	4	
1ADK		1122871	81-22	1	
1ADK		1122874	81-37	1	
1ADK	1560-122-8359	1122881	151-4	2	
1ADK	1560-123-2030	1122885	155-65	32	
1ADK	1560-185-4489	1122886	152-5	14	
			152-11		
			152-17		
1ADK		1125430	81-45	1	
1ADK		1125430-1	81-	1	
1ADK		1125431	81-30	2	
1ADK		1125432	81-33	2	
1ADK	1560-123-1476	1125442	81-44	2	
1ADK		1125494	80-10	1	
1ADK	1560-217-4387	1125495	80-12	1	
1ADK		1125564	19-53	5	
1ADB		1125594-2000	9-12	1	
		1125810	31-	4	
1ADK	1560-123-2028	1125815	155-61	16	
1ADK		1125816	155-51	16	
1ADK		1125818	155-6	18	
			155-8		

STOCK NUMBER			FIGURE and INDEX NUMBER	QTY PER ART- ICAL	SOURCE CODE
CLASS CODE	FIIN or SERIAL NUMBER	PART NUMBER			
1ADK	1560-185-1729 1560-241-3823	1125820	31-	4	
1ADK		1125823	32-10	1	
1ADK		1125833	11-25	1	
1ADK		1125837	31-65	4	
1ADK		1125838	3-41	1	
1ADK		1125842	39-9	3	
1ADK		1125844	39-	3	
1ADK		1125844-2	39-12	3	
1ADK					



STOCK NUMBER			FIGURE and INDEX NUMBER	QTY PER ART- ICAL	SOURCE CODE
CLASS CODE	FIIN or SERIAL NUMBER	PART NUMBER			
			39-42		
1ADK		1125848	39-	1	
1ADK		1125852	39-	2	
1ADK		1125861	36-13	1	
1ADK		1125867	152-29	8	
			152-55		
1ADK	1560-185-1731	1125871	152-21	16	
1ADK	1560-185-1732	1125872	152-33	2	
1ADK		1125874	152-	2	
1ADK		1125875	152-47	24	
1ADK	1560-193-4011	1125876	152-43	24	
1ADK		1125877	152-	4	
1ADK	1560-193-4012	1125878	152-45	24	
1ADK		1125882	36-40	1	
1ADK		1125885	2-4	4	
1ADK	1560-234-5621	1125892	152-44	8	
1ADK		1125893	155-58	32	
1ADK	1560-217-4388	1125894	31-69	4	
1ADK	1560-193-4013	1125897	152-22	8	
1ADK	1560-192-0065	1125897-1	152-	8	
1ADK		1125902	152-	8	
1ADK		1125908	13-	1	
1ADK	1560-122-6959	1125916	100-9	1	
1ADK		1125922	115-	1	
1ADK		1125925	80-28	1	
1ADK		1125944	32-16	2	
1ADK	1560-192-0067	1125947	197-22	8	
			197-37		
			197-46		
			197-59		
1ADK		1125950	197-57	4	
1ADK		1125952	197-51	6	
			197-58		
1ADK		1125953	197-56	4	
1ADK	1560-192-0068	1125958	153-52	4	
			153-59		
1ADK	1560-232-1347	1125959	153-42	12	
			153-50		
			153-71		
1ADK		1125962	4-	12	
			4-29		
			143-		
1ADK		1125967	152-	4	
1ADK		1125973	39-52	1	
1ADK		1125981-2	89-33	1	
1ADK		1125981-3	89-46	1	
1ADK		1125982	79-53	3	
1ADK		1125983	89-36	2	
1ADK		1125988	89-3	3	
1ADK		1125993	89-4	6	
1ADK	1560-217-4389	1125994	89-60	1	
1ADK	1560-123-1475	1125995	89-40	2	
1ADK		1125998	89-39	2	
1ADK		1126927	178-20	24	
			178-36		
1ADK		1126927-1	178-	24	
1ADK		1126928	178-26	47	
			178-40		
1ADK		1126983	83-76	2	
			83-81		
			84-86		
			84-94		
			85-97		
			85-106		
1ADK		1127600	89-24	1	
1ADK	1560-192-0070	1127601	89-34	1	
1ADK		1127602	89-35	2	
1ADK		1127604	89-41	1	
1ADK	1560-185-3908	1127605	89-43	5	
			89-52		
1ADK		1127606	89-42	1	
1ADK	1560-192-0073	1127607	89-38	2	
1ADK	1560-192-3819	1127608	89-49	1	
1ADK		1127609	89-75	1	
1ADK		1127610	89-	2	
1ADK	1560-192-3820	1127618	197-38	8	
1ADK		1127624	18-31	1	
1ADK		1127625	18-30	1	
1ADK		1127629	3-39	1	

Section III
Numerical Index

T.O. 1B-26B-4

STOCK NUMBER			FIGURE and INDEX NUMBER	QTY PER ART- ICAL	SOURCE CODE
CLASS CODE	FIN or SERIAL NUMBER	PART NUMBER			
1ADK		1127629-1	3-	1	
1ADK	1560-192-3821	1127638-2	8-	2	
1ADK	1560-192-3822	1127638-4	9-48	1	
1ADK		1127638-6	8-78	1	
1ADK	1560-192-3823	1127639	8-	9	
1ADK		1127639-2	9-49		
			8-73	4	
			8-116		
1ADK		1127641	152-34	2	
1ADK	1560-232-1348	1127642	153-77	2	
1ADK	1560-196-5931	1127643	153-6	2	
1ADK	1560-125-2065	1127644	80-56	1	
		1127648	8-	1	
		1127649	8-	2	
1ADK		1127649-2	8-88	1	
1ADK		1127651	80-24	1	
1ADK		1127653	14-66	3	
			144-18		
1ADK		1127655	13-60	8	
1ADK		1127657	80-26	1	
1ADK		1127658	80-3	1	
1ADK		1127661	163-1	2	
1ADK		1127663	14-67	3	
			144-21		
1ADK		1127664	7-	4	
1ADK		1127675	17-50	1	
1ADK	1560-221-6849	1127676-2	9-	1	
1ADK		1127676-4	8-81	1	
1ADK		1127676-6	8-123	1	
1ADK	1560-150-8941	1127676-8	9-50	1	
1ADK	1560-125-2313	1127677-2	9-	1	
1ADK	1560-125-2312	1127677-4	8-	1	
1ADK	1560-125-2311	1127677-6	8-	2	
1ADK	1560-125-1181	1127677-8	9-	1	
1ADK		1127678	170-22	1	
1ADK		1127680	5-	9	
1ADK		1127683	197-53	2	
1ADK		1127684	197-48	1	
1ADK		1127685	197-50	1	
1ADK		1127686	197-49	1	
1ADK	1560-195-5973	1127690	31-6	4	
			31-27A		
1ADK		1127698	39-16	6	
			39-41		
1ADK		1127701	39-11	3	
			39-45		
1ADK		1127702	39-5	3	
			39-32		
1ADK	1560-232-1349	1127703	161-18	4	
			162-11		
1ADK	1560-192-3825	1127705	14-65	3	
			144-19		
1ADK	1560-123-1480	1127713	145-62	1	
1ADK	1560-117-9516	1127715	31-45	1	
1ADK		1127717	187-38	1	
1ADK		1127718	187-40	1	
1ADK		1127729-2	19-65	2	
			20-46		
1ADK		1127729-4	19-67	2	
			20-48		
1ADK		1127730	19-63	4	
			20-44		
			21-79		
			22-66		
1ADK	1560-216-0516	1127731	19-66	4	
			20-47		
			21-82		
			22-69		
1ADK		1127746	23-	1	
1ADK	1560-197-2094	1127746-1	23-	1	
1ADK		1127746-2	23-36	1	
1ADK		1127746-3	23-37	1	
1ADK	1560-187-7218	1127747	23-	2	
1ADK		1127747-2	23-27	2	
1ADK		1127751	153-48	4	
			153-65		
1ADK		1127751-1	153-40	4	
1ADK		1127755	32-12	2	
1ADK	1560-123-1482	1127763	5-51	2	
1ADK		1127765-2	5-46	1	

STOCK NUMBER			FIGURE and INDEX NUMBER	QTY PER ART- ICAL	SOURCE CODE
CLASS CODE	FIN or SERIAL NUMBER	PART NUMBER			
1ADK		1127765-3	5-49	1	
1ADK		1127766	77-17	1	
1ADK		1127767	146-5	2	
1ADK		1127776	143-22	2	
1ADK		1127777	143-23	2	
1ADK	1560-192-3827	1127780	8-	2	
1ADK		1127780-2	8-120	1	
1ADK	1560-192-3829	1127784	153-44	8	
			153-69		
1ADK	1560-237-2683	1127787	94-142	3	
1ADK		1127788	94-140	3	
1ADK		1127789	94-141	3	
1ADK		1127790	144-14	3	
			146-68		
1ADK		1128701	89-62	1	
1ADK		1128702	20-14	5	
			21-13		
			21-39		
			22-12		
			22-35		
1ADK		1128730	197-25	2	
1ADK		1128731	197-26	1	
1ADK		1128741	23-	1	
1ADK		1128742	23-	2	
1ADK		1128744	10-32	3	
			100-30		
1ADK	1560-196-5933	1128785	15-7	1	
1ADK		1128791	10-	1	
1ADK		1128829	17-5	1	
1ADK		1128834	79-31	1	
1ADK		1128834-1	79-33	1	
1ADK		1128839	116-67	4	
1ADK		1128853	87-86	1	
1ADK		1128865	146-70	1	
1ADK		1128869	99-30	2	
			146-61		
1ADK		1128870	99-32	2	
			146-60		
1ADK		1128871	99-29	2	
			146-62		
1ADK		1128873	148-53	1	
1ADK	1560-121-3914	1128891	187-13	4	
1ADK		1128892	187-6	1	
1ADK		1128893	187-9	1	
1ADK	1560-199-9741	1128894	187-5	1	
1ADK		1128897	93-13	1	
1ADK	1560-192-5658	1128898	93-8	2	
1ADK	1560-191-7376	1128898-1	93-9	2	
1ADK		1128899	93-6	1	
1ADB		1128910	30-19	1	
1ADB		1128910-2	30-26	1	
1ADB		1128911	30-17	2	
1ADB		1128913	36-19	1	
1ADK	1560-150-8451	1128914	36-18	1	
1ADK		1128915	73-43	1	
1ADK	1560-191-7378	1128942	153-43	6	
			153-51		
			153-72		
1ADK		1128968	36-22	1	
1ADK		1128970	145-22	1	
1ADK		1128978	48-24	1	
1ADK		1128979	48-25	1	
1ADC		1139993	158-20	2	
1ADK		1140515	173-24	1	
1ADK	1560-109-3274	1141057	181-21	8	
		11425	13-132	2	
		1142944	28-9	2	
1ADK		1142960	142-42	1	
1ADK		1143025	43-76	1	
1ADK		1143076	89-5	2	
1ADK		1143173	79-47	1	
1ADK		1143193	161-37	8	
			162-29		
1ADK		1143293	29-66	2	
1ADK		1143395	119-21	2	
			120-35		
			194-4		
1ADK		1143491	69-18	1	
1ADK		1143535	69-16	2	
1ADK		1143537	69-28	1	
1ADK		1143538	69-28	1	
1ADK	1560-123-3888	1143539	69-23	2	

Section III
Numerical Index

T.O. 1B-26B-4

STOCK NUMBER			FIGURE and INDEX NUMBER	QTY PER ART- ICAL	SOURCE CODE	
CLASS CODE	FIIN or SERIAL NUMBER	PART NUMBER				
1ADK	1560-123-3889	1143541	69-31	1		
1ADK		1143561	194-6	2		
1ADK		1143569	115-50	1		
1ADK		1143580	173-19	1		
1ADK		1143590	194-9	2		
1ADK		1143591	194-5	1		
1ADK		1005-219-3373	1143592	28-19	2	
1ADK			1143622	195-36	19	
1ADK		1560-123-3891	1143652	195-38	3	
1ADK			1143652-2	23-	1	
1ADK			1143664	23-46	1	
1ADK			1143695	186-32	1	
1ADK				194-29	46	
1ADK				195-8		
1ADK			194-31	2		
1ADK			194-7	2		
1ADK			195-	2		
1ADK			195-	2		
1ADK			195-78	3		
1ADK	1560-386-5932		1143755	6-6	12	
1ADK			1143792	189-	1	
1ADK			1143807	186-29	2	
1ADK		1143828	69-58	1		
1ADK		1560-193-4321	1143990	13-55	1	
1ADK			1143999	197-27	2	
1ADK			1150403	197-52		
1ADK				145-67	1	
1ADK				73-51	1	
1ADK				104-29	12	
				104-41		
				104-46		
				104-78		
				106-38		
			106-41			
			106-46			
			106-102			
1ADK			1150456	99-28	1	
1ADK		1150465	197-	1		
1ADK		1150466	197-44	1		
1ADK		1150476	87-133	15		
1ADK		1150493	70-	1		
1ADK		1150493-2	70-85	1		
1ADK		1150508	48-38	2		
1ADK		1150522	86-14	1		
1ADK		1150523	86-15	1		
1ADK		1150524	86-2	4		
1ADK		1150525	86-17	1		
1ADK		1150542	86-20	1		
1ADK		1150563	143-31	2		
1ADK		1150564	143-48	2		
1ADK		1150566	147-23	2		
1ADK		1150576	147-4	2		
1ADK		1150578	143-38	2		
1ADK		1150579	143-50	4		
1ADK		1150582-2	143-47	AR		
1ADK		1150582-4	143-	AR		
1ADK		1150582-6	143-	AR		
1ADK		1150583	143-49	2		
1ADK		1150587	86-39	1		
1ADK		1150588	86-40	1		
1ADK		1150589	86-5	3		
			86-30			
1ADK		1150590	86-31	1		
1ADK		1150591	86-32	1		
1ADK		1150592	86-33	1		
1ADK		1150593	86-49	1		
1ADK		1150596	86-52	1		
1ADK		1150597	86-43	1		
1ADK		1150598	86-56	1		
1ADK		1150900	86-46	1		
1ADK		1150901	86-47	1		
1ADK		1150902	86-48	1		
1ADK	1560-197-3075	1150905	86-42	1		
1ADK		1150911	147-24	2		
1ADK		1150917	147-19	1		
1ADK		1150923	178-33	1		
1ADK		1150949	146-12	1		
1ADK		1150950	146-14	1		
1ADK		1150957	83-34	1		

STOCK NUMBER			FIGURE and INDEX NUMBER	QTY PER ART- ICAL	SOURCE CODE
CLASS CODE	FIN or SERIAL NUMBER	PART NUMBER			
1ADK		1150960	83-61	2	
1ADK		1150962	83-92	1	
			84-106		
			85-119		
1ADK		1150964	83-88	1	
			84-101		
			85-114		
1ADK		1150965	83-89	1	
			84-102		
			85-115		
1ADK		1150966	117-7	1	
1ADK		1150974	146-33	1	
1ADK		1150976	70-86	1	
1ADK		1150978	70-62	5	
			70-95		
1ADK		1150984	83-26	2	
			83-136		
			84-35		
			84-163		
			85-45		
			85-164		
1ADK		1150985	83-142	1	
			84-150		
			85-150		
1ADK		1150987	83-143	1	
			84-14		
			85-14		
1ADK		1150988	82-73	3	
			83-139		
			83-147		
			84-152		
			84-158		
			85-153		
			85-159		
1ADK		1150989	82-74	2	
			83-146		
			84-151		
			85-152		
1ADK		1150994	83-9	2	
			84-11		
			85-11		
1ADK		1151005	146-35	1	
1ADK		1151006	146-36	1	
1ADK		1151007	146-	1	
1ADK		1151008	146-13	1	
1ADK		1151009	146-11	1	
1ADK		1151018	79-	1	
1ADK		1151018-2	79-41	1	
1ADK		1151019	79-39	1	
1ADK		1151022	79-54	1	
1ADK		1151023	79-52	1	
1ADK		1151024	79-51	1	
1ADK		1151025	79-55	1	
1ADK		1151038	88-21	1	
1ADJ		1151040	82-61	1	
1ADK		1151041	82-62	1	
1ADK		1151045	73-16	1	
1ADK		1151047	68-33	2	
1ADK		1151055	44-	2	
1ADK	1560-124-2404	1151060	52-32	1	
1ADK		1151313	146-10	1	
1ADK		1151315	78-15	1	
1ADK		1151317	186-10	1	
1ADK		1151328	35-46	5	
			52-28		
			64-40		
			69-42		
1ADK	1560-120-8986	1151329	35-43	7	
			64-39		
			69-40		
1ADK	1560-124-2403	1151330	35-45	6	
			52-29		
			64-41		
			65-31		
			69-43		
			142-62		
1ADK		1151337	123-15	1	
1ADK	1560-124-2401	1151342	143-78	2	
1ADK	1560-124-2360	1151344-6	143-71	2	
1ADK		1151344-8	143-72	2	
1ADK		1151350	143-62	2	

Section III
Numerical Index

T.O. 1B-26B-4

STOCK NUMBER			FIGURE and INDEX NUMBER	QTY PER ART- ICAL	SOURCE CODE
CLASS CODE	FIIN or SERIAL NUMBER	PART NUMBER			
1ADK		1151351	143-64	2	
1ADK		1151354	197-11	2	
1ADK		1151369	146-38	2	
1ADK		1151377	145-15	1	
1ADK		1151397	87-136	2	
1ADK		1151399-4	87-138	2	
1ADK		1151399-6	87-137	2	
1ADK		1151470	197-	1	
1ADK		1151514	23-54	1	
1ADK	1560-197-3080	1151549	47-2	2	
1ADK		1151559	47-3	2	
1ADK		1152279	93-12	1	
1ADK		1152316-2	161-33	8	
			151-41		
			162-25		
			162-33		
1ADK		1152317-016	14-58	1	
1ADK		1152318-016	14-84	3	
USE	NAS21-2-191	1152348	-	-	
USE	NAS21-1-191	1152348-2	-	-	
USE	NAS44-191P2	1152349-2	-	-	
USE	NAS191P3	1152349-3	-	-	
USE	NAS44-191P4	1152349-4	-	-	
6600	267599-926365	1152386-2612	52-46	1	
6600	267599-926365	1152386-2616	52-44	1	
1ADK	1560-244-3720	1154342	161-4	2	
1ADK		1154352	153-58	2	
1ADK		1154372-2	118-	2	
			119-42		
1ADK		1154372-4	117-6	15	
			118-29		
			120-34		
			121-21		
			121-28		
			122-52		
			135-6		
1ADK		1154397-12	82-77	1	
1ADK		1154397-18	82-71	1	
1ADK		1154397-2	87-68	1	
1ADK		1154397-20	82-78	1	
1ADK		1154397-4	87-92	1	
1ADK		1154397-6	82-65	1	
1ADK		1154403	47-7	1	
1ADK		1154424	48-61	1	
1ADK		1154425	48-58	1	
1ADK		1154458	104-36	1	
1ADK	1560-197-3084	1155468-4	86-7	4	
			86-9		
			86-23		
			86-35		
1ADK	1560-197-3085	1155553	152-32	14	
1ADK	1560-197-3086	1155561	152-24	6	
1ADK	1560-217-4393	1155685	100-22	1	
1ADK		1155686	100-23	1	
1ADK		1155689	119-46	1	
1ADK		1155690	119-	1	
1ADK		1156778	197-32	2	
1ADK		1156779	197-30	2	
1ADK		1156780	197-15	1	
1ADK	1560-124-2372	1157833	83-37	6	
			84-41		
			85-51		
1ADK		1157834	83-71	3	
1ADK	1560-124-2371	1157835	83-62	1	
1ADK		1157840	83-35	1	
1ADK	1560-124-2370	1157841	83-70	1	
1ADK		1158461	82-94	1	
1ADK		1158463	3-40	1	
1ADK		1158466-2	3-38	1	
1ADK		1158659	83-21	1	
			84-23	4	
			85-23		
1ADK	1560-124-3954	1158660	83-116	2	
			84-127		
			85-128		
1ADK		1158661	83-23	4	
			84-25		
			85-25		
1ADK		1158662	83-22	4	
			84-24		
			85-24		

Section III
Numerical Index

T.O. 1B-26B-4

STOCK NUMBER			FIGURE and INDEX NUMBER	QTY PER ART- ICAL	SOURCE CODE
CLASS CODE	FIIN or SERIAL NUMBER	PART NUMBER			
USE	NAS43DD3-220	117425-30-11	-	-	
USE	NAS43DD3-222	117425-3D111	-	-	
USE	NAS43DD3-232	117425-3D116	-	-	
IADB		117425-3D724	153-	16	
USE	NAS43HT3-06	117425-3S003	-	-	
USE	NAS43HT3-20	117425-3S010	-	-	
USE	NAS43HT3-32	117425-3S016	-	-	
USE	NAS43HT3-38	117425-3S019	-	-	
USE	NAS43DD4-10	117425-4D005	-	-	
USE	NAS43DD4-14	117425-4D007	-	-	
USE	NAS43DD4-16	117425-4D008	-	-	
IADB	1560-191-8131	117425-4D010	19-61	2	
IADB	1560-191-8133	117425-4D016	19-51	2	
USE	NAS43DD4-40	117425-4D020	-	-	
USE	NAS43DD4-62	117425-4D031	-	-	
USE	NAS43HT4-10	117425-4S005	-	-	
USE	NAS43HT4-18	117425-4S009	-	-	
USE	NAS43HT4-32	117425-4S016	-	-	
USE	NAS43HT4-418	117425-4S209	-	-	
USE	NAS43HT4-604	117425-4S302	-	-	
USE	NAS43HT5-18	117425-5S009	-	-	
USE	NAS43DD6-14	117425-6D007	-	-	
USE	NAS43DD6-62	117425-6D031	-	-	
USE	NAS43DD6-444	117425-6D222	-	-	
USE	NAS43HT6-238	117425-6S119	-	-	
USE	NAS43DD4-28	117426-4D014	-	-	
IADB		117426-6D008	104-40	2	
IADB		117426-6S012	47-	4	
IADB		1174586-4	107-44	4	
			107-89		
IADB		1174587	107-	4	
USE	NAS334P11	1175350-11	-	-	
IADB		1190037	83-63	2	
IADB		1190067	86-3	2	
IADK		1190101	45-12	1	
IADK		1190102	45-16	1	
IADK		1190104	45-13	3	
IADK		1190113	10-8	16	
IADK		1190125	45-24	2	
IADK		1190126	45-	1	
IADK	1560-123-7389	1190154	45-15	1	
IADK	1560-185-2663	1190179	83-91	3	
			84-105		
			85-118		
IADK		119030	116-52	2	
IADK		1190608	148-33	1	
IADK	1560-123-7388	1190643	198-49	1	
IADK	1560-123	1190644	198-55	1	
		1190674	31-67	4	
		1190675	31-70	2	
		1190676	31-	4	
		1190687-4	101-26	1	
		1190786	200-	4	
IADK	1560-235-8260	1191602	70-15	1	
IADK	1560-304-0480	1191603	70-16	1	
		1191615	70-81	1	
		1191616	70-82	1	
IADK	1560-123-7386	1191618	70-54	1	
IADK		1191619	70-24	1	
IADK		1191620	70-33	1	
		1191625	70-97	1	
		1191626	70-41	1	
IADK	1560-123-7385	1191627	70-42	1	
IADK		1191628	70-43	1	
IADK	1560-124-3979	1191629	70-44	1	
IADK		1191630	70-61	5	
			70-93		
IADK		1191664	163-13	4	
IADK		1191690	163-19	2	
IADK		1191723	70-65	1	
IADK		1191724	70-87	1	
IADK		1191726	70-25	1	
IADK		1191740	70-91	1	
IADK		1191741	70-96	1	

STOCK NUMBER			FIGURE and INDEX NUMBER	QTY PER ART- ICAL	SOURCE CODE
CLASS CODE	FIIN or SERIAL NUMBER	PART NUMBER			
1ADK		1191750	79-12	1	
1ADK		1191750-1	79-13	1	
1ADK		1191751	79-	1	
1ADK	1560-235-8262	1191787	80-14	1	
1ADK		1192201	106-3	1	
1ADK		1192259	190-8	1	
1ADK		1192259-1	190-	1	
1ADK		1192270	73-3	2	
1ADK			74-27		
1ADK		1192271	73-4	2	
1ADK			74-28		
1ADK		1192272	73-2	2	
1ADK			74-26		
1ADK		1192273	73-	2	
1ADK			74-		
1ADK	1560-124-3976	1192277-2	68-16	4	
1ADK		1192277-4	68-	4	
1ADK		1192280	73-5	2	
			74-29		
		1192309	68-11	2	
1ADK		1192317	68-21	1	
1ADK		1192317-1	68-	1	
1ADK		1192327	68-44	2	
1ADK		1192330	13-77	1	
1ADK		1192335	200-29	8	
1ADK		1192338	189-8	8	
1ADK		1192339	189-10	8	
1ADK		1192340	68-14	4	
1ADK		1192341	118-18	1	
1ADK	1560-030-4239	1192354	142-53	1	
1ADK		1192361	68-43	2	
1ADK		1192362	68-45	2	
1ADK	1560-124-3970	1192363	81-18	1	
1ADK	1560-251-3608	1192366	142-11	2	
1ADK	1560-030-4240	1192366-1	142-	2	
1ADK		1192367-2	142-34	1	
1ADK		1192367-3	142-35	1	
1ADK		1192370	142-7	2	
1ADK		1192371	189-23	8	
1ADK		1192372	189-20	8	
1ADK		1192379	104-23	25	
			106-31		
			112-23		
1ADK		1193200	189-13	4	
1ADK		1193201	189-12	4	
1ADK		1193202	189-17	4	
1ADK		1193203	189-16	4	
1ADK		1193214	32-9	1	
1ADK		1193217	83-	1	
1ADK		1193219	83-	2	
			84-143		
			85-144		
1ADK	1560-124-3969	1193220	83-119	1	
			84-133		
1ADK		1193221	85-135	1	
			83-121		
			84-135		
1ADK	1560-197-3100	1193222-10	85-137	6	
			83-14		
			83-118		
			84-17		
			84-132		
			85-17		
			85-133		
1ADK	1560-185-2667	1193222-12	83-132	1	
			84-137		
			85-138		
1ADK	1560-185-2668	1193222-2	83-133	1	
			84-147		
			85-148		
1ADK	1560-197-4729	1193222-4	83-20	2	
			83-97		
			84-31		
			84-113		
			85-39		
		1193223	2-10	8	
1ADK	1560-217-4394	1193224	142-63	1	
1ADK	1560-187-5001	1193236	142-59	1	
1ADK	1560-121-1865	1193237	142-72	1	
1ADK	1560-124-3968	1193251	153-4	8	X2

STOCK NUMBER.			FIGURE AND INDEX NUMBER	QTY PER ARTICAL	SOURCE CODE
CLASS CODE	FIN OR SERIAL NUMBER	PART NUMBER			
1ADK	1560-124-3967	1193251-1	153-	8	X2
		1193251-2			X2
		1193251-3			X2
1ADK	1560-124-3966	1193252	153-2	6	
1ADK	1560-124-3965	1193252-1	153-	6	
		1193253	153-73	20	
		1193269	73-29	20	
		1193278	105-	1	
		1193309	153-23	2	
		1193310	153-24	2	
		1193311	73-17		
		1193315	142-61	1	
		1193318	87-45	1	
		1193321	105-20	1	
		1193325	105-13	1	
		1193343	81-35	2	
1ADK	1560-124-3964	1193344	74-8	2	
		1193345	104-61	2	
			108-14		
		1193347	104-60	2	
			108-12		
1ADK	1560-237-9661	1193352-2	142-32	1	
1ADK	1560-237-9660	1193352-3	142-33	1	
		1193368	18-32	1	
1ADK		1193374	105-21	1	
1ADK		1193375	104-58	2	
			108-9		
1ADK		1193381	105-10	4	
1ADK		1193382	105-14	1	
1ADK		1193388	108-8	1	
		1193390	104-57	4	
			106-14		
			107-55		
			108-		
		1193392	105-9	2	
		1193805	23-22	4	
			23-28		
			23-31		
			23-38		
1ADK		1193807	28A-18	4	
1ADK		1193808	146-25	1	
		1193809	146-27	1	
		1193810	146-26	1	

STOCK NUMBER			FIGURE AND INDEX NUMBER	QTY PER ARTICAL	SOURCE CODE	
CLASS CODE	FIN OR SERIAL NUMBER	PART NUMBER				
1ADK	1560-124-2417	1193811	146-	1		
1ADK		1193812	146-20	1		
1ADK		1193813	146-21	1		
1ADK		1193814	146-	1		
1ADK		1193829	103-	1		
1ADK		1193830	103-26	1		
1ADK		1193836	14-100	1		
1ADK		1560-191-1168	1193846	198-38	4	
1ADK	1193851		31-10	4		
				31-27C		
				106-53		
				111-45		
1ADK	1560-237-6959		1193858	73-45	1	
1ADK			1193859	198-4	AR	
1ADK			1193866	102-10	1	
1ADK		1193867	102-11	8		
1ADK		1193883	106-84	3		
1ADK		1193884	106-83	1		
1ADK		1193888	198-19	3		
				198-		
1ADK		1193903-2	105-58	1		
1ADK		1193903-4	105-35	1		
1ADK		1193904	105-34	2		
			105-59			
1ADK		1193905-2	105-32	2		
			105-54			
1ADK		1193905-4	105-26	1		
1ADK		1193908	105-23	1		
1ADK		1193909	105-28	1		
1ADK		1193910	105-3	1		
1ADK	1560-096-4042	1193926	73-49	1		
			1193927	105-	1	
			1193928	105-24	1	
1ADK			1193936	41-32	5	
				69-57		
				143-97		
1ADK			1193945	104-35	1	
1ADK			1193946	14-43	1	
1ADK		1193947	146-28	1		
1ADK		1193950	68-27	2		



STOCK NUMBER			FIGURE and INDEX NUMBER	QTY PER ART- ICAL	SOURCE CODE
CLASS CODE	FIIN or SERIAL NUMBER	PART NUMBER			
1ADK	1560-124-4012	1194800	68-	2	
		1194800-2	68-30	1	
1ADK		1194820	142-74	1	
1ADK		1194827	179-26	11	
1ADK	1560-191-1181	1194838	43-60	4	
1ADK		1194844	41-18A	2	
1ADK	1560-187-5002	1194852	19-7	2	
			21-27		
1ADK		1194853	19-43	1	
1ADK		1194856	41-34	1	
1ADK		1194859	41-31	2	
1ADK		1194860	152-54	4	
1ADK	1560-237-9657	1194862	41-27	1	
1ADK	1560-120-8988	1194863	41-33	1	
1ADK		1194864	41-	2	
1ADK	1560-120-8989	1194866	41-29	1	
1ADK	1560-046-0561	1194867	23-	1	
		1194870	198-66	1	
1ADK		1194896	117-5	9	
			122-53		
			135-7		
		1194897	198-68	2	
		1194898	198-70	1	
1ADK		1194919	75-	2	
1ADK		1194938	107-120	2	
			115-72		
1ADK		1194958	68-57	1	
1ADB	1560-121-2624	1194971	117-41	AR	
			119-34		
			121-29		
			123-35		
1ADK		1194972	41-18B	2	
1ADK		1194973	26-4	3	
			76-		
1ADK		1194980	116-94	2	
1ADK	1560-191-1232	1194990	161-5	2	
1ADK		1195809	41-	1	
1ADK	1560-096-4043	1195829	18-48	2	
1ADK		1195858	200-37	2	
1ADK		1195897	186-25	1	
1ADK		1195936	115-1	2	
1ADK	1560-124-4011	1195987	151-22	4	
1ADK	1560-124-4009	1195988	151-23	4	
1ADK		1199601	45-28	1	
6500	513238	12B054	5-	6	
			7-		
6500	513242	12B070	7-	4	
6500	513244	12B080	5-	4	
6500	513246	12B098	5-	2	
6500	513250	12B126	5-	15	
			38-3		
			145-48		
4281		12001	13-113	1	
1ADK		1201317	143-9	2	
		1201504	90-46	4	
			90-53		
			90-91		
1ADK		1202227	69-62	2	
1ADK	1560-191-1236	1202264	69-47	1	
1ADK		1202272	69-51	1	
1ADK		1202280	106-22	1	
1ADK		1202290	69-60	1	
1ADK		1202291	69-61	1	
1ADB	1560-124-4008	1202321	83-73	1	
			84-83		
			85-94		
1ADK		1202390	195-7	2	
1ADK	1560-117-9978	1202417	60-66	4	
			67-52		
			117-56		
1ADK		1202459	69-38	1	
1ADK	1560-237-2685	1202461	195-79	3	
1ADK		1202526	42-28	1	
1ADK		1202538	42-26	1	
1ADK	1560-124-4005	1202539	42-26	1	
1ADK		1202558	194-33	2	
1ADK		1202559	194-36	2	
1ADK		1202560	194-18	1	
1ADK		1202563	194-22	2	
1ADK	1560-386-5939	1202617	60-72	4	
			67-57		
1ADK		1202679	153-75	4	
1ADK		1202697	82-82	1	

Section III
Numerical Index

T.O. 1B-26B-4

STOCK NUMBER			FIGURE and INDEX NUMBER	QTY PER ART- ICAL	SOURCE CODE	
CLASS CODE	FIIN or SERIAL NUMBER	PART NUMBER				
1ADK	1560-193-4790	1202738	42-27	1		
1ADK		1202784	117-44	2		
1ADK		1202785	153-83	16		
1ADK	1560-191-1244	1202818	148-54	1		
1ADK		1202830	187-66	1		
1ADK		1202831	187-63	1		
1ADK		1560-121-2263	1202838	43-32	1	
1ADK		1560-125-0580	1202840	43-26A	1	
1ADK		1560-125-0327	1202840-1	43-	1	
1ADK			1202861	188-7	1	
1ADK			1202920	188-15	1	
1ADK			1203035	6-15	10	
1ADK		1560-121-7103	1203054	106-88	1	
1ADK		1203066	116-78	8		
1ADK	1560-109-6804	1203130	116-78			
			161-24	4		
			162-8			
1ADK		1203164	106-87	1		
1ADK		1203165-2	106-81	1		
1ADK		1203165-4	106-82	1		
1ADK		1203165-6	106-90	2		
5629		1203299	102-22	12		
1ADK		1203400	198-	2		
1ADK		1203444	195-61	1		
1ADK		1203445	195-68	4		
1ADK		1203487	198-	1		
1ADK		1203489	195-67	4		
1ADK		1203490	195-64	1		
1ADK		1203491	195-66	4		
1ADK		1203497	195-63	1		
1ADK		1203500	30-8	1		
1ADK		1203505	195-48	2		
1ADK		1203508	195-59	1		
1ADK		1203516	115-	1		
1ADK	1560-191-1246	1203675	13-99	1		
1ADK		1203676	13-100	4		
1ADK		1203710	156-12	2		
1ADK	1560-191-1229	1203712	152-	4		
1ADK		1203723	156-	2		
1ADK		1203776	118-35	1		
1ADK	1560-150-7603	1203778	43-63	1		
1ADK		1203854	105-41	1		
1ADK	1560-150-8806	1203869	69-25	2		
1ADK	1560-241-4416	1204093	48-78	1		
1ADK		1204104	60-	2		
			67-			
1ADK		1204109	43-66	1		
1ADK	1560-150-8805	1204602	15-34	1		
1ADK	1560-150-8804	1204603	15-38	1		
		1204724	49-24	1		
		1204740	102-25	4		
		1204784	49-23	1		
		1204790	103-21	1		
		1204791	103-20	1		
1ADK		1204843	120-	2		
		1204858	43-	2		
		1204861	83-106	1		
			84-119			
1ADK		1204870-2	108-47	2		
			109-8			
1ADK		1204870-4	107-136	2		
			109-3			
		1204873	31-	4		
1ADK		1204910	83-60	1		
		1204947	104-6	2		
			110-67			
		1204948	52-65	2		
		1204989	58-65	1		
1ADK	1560-191-7556	1204991	52-	1		
1ADK		1205054	52-17	1		
1ADK		1205061	52-60	2		
1ADK		1205062	52-62	2		
		1205064	115-68	40		
1ADK		1205075	41-18F	2		
		1205077	116-43a	1		
1ADK	1560-191-7559	1205142	52-39	1		
1ADK		1205147	116-43	1		
1ADK	1560-307-9082	1205163	21-16	2		
			22-15			

STOCK NUMBER			FIGURE and INDEX NUMBER	QTY PER ART- ICAL	SOURCE CODE
CLASS CODE	FIIN or SERIAL NUMBER	PART NUMBER			
		1205164	21-15 22-14	2	
1ADK	1560-150-8300	1205182 1205190 1205191 1205199	101-14 52-7 52-8 52-34	1 1 2 1	
1ADK	1560-237-2688	1205200 1205308 1205309	153-8 92-38 92-37	8 1 1	
1ADK	1560-150-8299	1205310 1205318	92-32 92-39	1 1	
1ADK		1205393	81-40	2	
1ADK	1560-191-7483	1205412 1205420 1205455	51-6 52-41 52-55	2 2 2	
1ADK		1205505 1205540	195-52 24-6 24-24	2 2	
1ADK		1205602	178-28 178-49	47	
1ADK		1205638	19- 19-99 20-72 22-	9	
1ADK		1205670	178-27 178-48	94	
1ADK	1560-191-7563	1205690	50-6	2	
1ADK	1560-150-8296	1205707	163-21	2	
1ADK	1560-150-8295	1205708	163-15	4	
1ADK		1205726	12-23	1	
1ADK	1560-193-4513	1205748	182-	26	
1ADK	1560-166-3413	1205763	145-37	1	
1ADK		1205772	195-19	2	
1ADK		1205783	83-75 83-80 84-85 84-93 85-96 85-105	2	
1ADK		1205809	143-	2	
1ADK	1560-241-3973	1205835	161-36 162-28	4	
1ADK		1205936	187-76	4	
1ADK		1205940	181-	8	
1ADK		1205941	181-	16	
1ADK	1560-150-8298	1205998	12-55	1	
1ADK	1560-193-4514	1206013	12-	1	
1ADK	1560-193-4515	1206013-1 1206013-2	12- 12-46	1 1	
		1206033	5-44	1	
		1206060	116-25	4	
		1206061	116-26	2	
		1206067	12-47	1	
1ADK		1206095	12-43	1	
1ADK	1560-235-8264	1206161	181-16 182-24 192-	15	
		1206171-2	192-2	8	
1ADK		1206171-4	195-2	4	
1ADK		1206171-6	195-3	4	
1ADK	1560-120-8991	1206172	52-27	1	
1ADK		1206182	116-6	AR	
1ADK		1206184	146-24	1	
1ADK		1206217	13-	2	
		1206288	110-113	1	
1ADK		1206332	94-138	3	
1ADK		1206341	72-2 72-4 72-6	5	
1ADK		1206386	143-24	2	
1ADK	1560-193-4525	1206420	72-13	1	
1ADK		1206492	192-32	1	
		1206505	109-10	1	
1ADK	1560-150-8288	1206512	107-59	1	
		1206537	195-69	4	
1ADK	1560-193-3746	1206591	57-100	1	
5629		1206643	102-	1	
5629		1206643-500	102-	1	
1ADB		1208815-2610	62-3	1	

Section III
Numerical Index

T.O. IB-26B-4

STOCK NUMBER			FIGURE and INDEX NUMBER	QTY PER ARTI- CAL	SOURCE CODE	
CLASS CODE	FIIN or SERIAL NUMBER	PART NUMBER				
1ADB	1560-150-8287	1208815-3716	62-4	1		
1ADB		1208815-3800	62-2	3		
1ADB		1208815-4200	62-30	1		
1ADB		1208941-500	21-81	2		
			22-68			
1ADB		1208941-502	21-83	2		
			22-70			
1ADK			1210460	153-28		4
1ADK			1210485	153-31		6
				154-13		
1ADB	073943150	121873-091-1104	49-14	1		
1ADB		121873-091-228	189-32	4		
			189-37			
1ADB		121873-091-30	118-4	1		
1ADB		121873-091-428	41-	1		
1ADB		121873-091-908	41-16	3		
1ADB		121873-881-1908	189-34	8		
3380		1220DE	42-54	4		
			123-21			
			123-27			
3380	511120-1965	1220DECW	29-59	5		
			108-20			
			122-67			
			123-25			
3380		1220DEC	29-57	4		
			123-23			
			123-30			
3360		073943150	12212-11	13-70		1
3380		511120-1965	1222BFDES	123-22		1
3380			1222DED	42-55		10
			108-18			
			108-41			
			123-26			
			123-28			
			123-31			
3380	064000-355	1224DEC	123-24	2		
4801			25-8	2		
8870			129-33	2		
1ADB			107-45	2		
			107-83			
1ADB			119-30	2		
1ADB			117-45	1		
1ADB			122-64	1		
1ADB			118-31	3		
1ADB			118-52	1		
1ADB		124604-2-14	35-42	2		
1ADB		124630-8-10	57-204	4		
1ADB		124681D13-091	104-27	2		
			106-37			
1ADB		124681F16-032	115-	1		
1ADB		124682-0D4-032	29-	6		
1ADB		124682-1F7-062	115-	40		
1ADB		124682-12D20-064	83-28	1		
1ADB		124682-2D16-032	51-	11		
			123-			
1ADB		124682-2F10-040	119-	12		
1ADB		124682-2S8-065	29-	8		
1ADB		124682-3D12-064	28A-	4		
1ADB		124682-3D12-065	87-	AR		
1ADB		124682-3D6-032	73-	1		
1ADB		124682-3F12-091	120-	5		
1ADB		124682-3F7-062	104-	10		
			110-			
1ADB		124682-3S10-035	195-	16		
1ADB		124682-3S10-040	62-21	14		
1ADB		124682-3S10-062	49-	94		
			81-60			
1ADB		124682-3S10-065	146-	2		
1ADB		124682-3S12-034	12-	1		
1ADB		124682-3S12-064	78-	2		
1ADB		124682-3S12-065	28A-	4		
1ADB		124682-3S16-062	89-	4		
1ADB		124682-4F16-125	60-	34		
1ADB		124682-4R11-065	187-64	2		
1ADB		124682-4S10-031	79-20	2		
1ADB		124682-4S10-035	195-	16		
1ADB		124682-4S10-050	9-	2		
1ADB		124682-4S10-062	89-44	3		
1ADB		124682-4S11-030	8-10	4		
1ADB		124682-4S11-032	39-17	3		
1ADB		124682-4S14-062	29-	16		
			115-			
1ADB		124682-4S16-062	90-	3		
1ADB		124682-4S16-093	198-	2		

STOCK NUMBER			FIGURE and INDEX NUMBER	QTY PER ART- ICAL	SOURCE CODE
CLASS CODE	FIIN or SERIAL NUMBER	PART NUMBER			
1ADB		124682-5S12-030	146-	1	
1ADB		124682-5S12-062	71-64	10	
1ADB		124682-5S12-093	123-		
1ADB		124682-6D10-091	154-11	10	
6300	984400	124682-6S10-093	153-		
1ADB		124682-6S12-065	187-	3	
1ADB		124682-7S12-065	198-	4	
1ADB		124682-7D12-091	89-	3	
1ADB		124682-7S18-125	146-	1	
4226		1253DEW	112-22	2	
4226		1253DEW3	49-	2	
1ADB		125522	108-16	1	
4226		1257DEWD	116-27	2	
1ADK	1560-192-5823	1277333	197-42	3	
1ADK		1277334	108-24	1	
1ADB		130417-10-13	65-30	2	
1ADB		131736-10B010	65-28	2	
1ADB		131736-10B012	29-42	4	
1ADB		131736-3B012	35-19	8	
1ADB		131736-3S003	35-16	4	
1ADB		131736-3S204	35-29	2	
1ADB		131736-4C008	19-54	20	
1ADB		131736-6B006	105-56	1	
1ADB		131736-6B012	143-46	2	
1ADB		131736-8S024	35-49	2	
USE	AN3-5A	132100-3-5A	35-26	4	
1ADB		132100-3-6A	198-	1	
1ADB		132100-3-7A	38-87	2	
USE	AN3DD5A	132100-3DD5A	38-	2	
USE	AN4H51A	132100-4-51A	-	-	
USE	AN4H5A	132100-4-6A	-	-	
USE	AN5H6A	132100-5-6A	-	-	
USE	AN6H16A	132100-6-16A	-	-	
USE	AN6H37A	132100-6-37A	-	-	
USE	AN6H40A	132100-6-40A	-	-	
4801		13246	92-22	1	
1ADK		132942-1	76-3	2	
1ADB		133509-12	41-13	2	
1ADB		133509-13	41-	5	
1ADB		133509-15	41-45	6	
1ADB		133509-4	41-17	2	
1ADB		133509-6	189-35	8	
6700	854153	136714	42-16	4	
1ADB		13722	23-4	2	
1ADB		137690	18-	1	
1ADB		1381	143-	2	
1ADB		138275-6-18	178-9	18	
1ADB	1560-195-5856	138275-6-24	94-	1	
1ADB		138275-6-56	178-10	18	
1ADB		138275-6-60	19-40	1	
1ADB	1560-222-4874	138275-6-72	92-	4	
4801		13836	25-14	2	
1ADB		139081-1	107-32		
4802		13960-3	200-33	2	
1ADB	1560-185-2708	141708-5	11-20	1	
6234		141905	18-29	1	
6234		1426-15E-A6	50-22	1	
USE	NAS427K8	1426-37F-A6	51-34	1	
USE	NAS427K10	143358-016	58-15	1	
1ADB		143358-020	-	-	
USE	NAS427K12	143358-023	12-15	2	
1ADB		143358-024	-	-	
USE	NAS427K13	143358-025	17-31	4	
1ADB		143358-026	-	-	
USE	NAS427K14	143358-027	89-82	4	
USE	NAS427K14	143358-028	-	-	
USE	NAS427K15	143358-028A	-	-	
1ADB		143358-030	-	-	
USE	NAS427K16	143358-031	21-18	4	
1ADB	5315-185-3138	143358-100	-	-	
1ADB		143358-102	19-9	3	
1ADB		143358-103	88-7	4	
USE	5315-185-3139	143358-104	12-8	10	
1ADB	NAS427K19	143358-105	-	-	
1ADB		143358-107	19-35	5	
USE	NAS427K21	143358-109	88-8	2	
USE	NAS427K22	143358-110	-	-	
1ADB		143358-112	-	-	
		143358-113	87-49	4	

Section III
Numerical Index

T.O. 1B-26B-4

STOCK NUMBER			FIGURE and INDEX NUMBER	QTY PER ART- ICAL	SOURCE CODE
CLASS CODE	FIIN or SERIAL NUMBER	PART NUMBER			
USE	NAS427K23	143358-114	-	-	
USE	NAS427K24	143358-116	-	-	
USE	NAS427K25	143358-118	-	-	
1ADB		143358-119	78-75	3	
USE	NAS427K27	143358-122	-	-	
1ADB		143358-123	17-38	2	
1ADB		143358-129	79-71	2	
1ADB		143358-202	17-45	2	
1ADB		143358-205	86-54	2	
1ADB		143358-206	87-88	1	
1ADB		143358-207	19-77	4	
USE	NAS427K36	143358-208	-	-	
1ADB		143358-209	78-77	1	
1ADB		143358-211	78-73	2	
USE	NAS427K38	143358-212	-	-	
1ADB		143358-214	87-17	1	
1ADB		143358-215	87-122	1	
1ADB		143358-218	19-50	14	
1ADB		143358-219	18-26	2	
1ADB		143358-221	19-94	3	
USE	NAS427K44	143358-224	-	-	
USE	NAS427K46	143358-226	-	-	
USE	NAS427K48	143358-300	-	-	
1ADB		143358-303	87-15	4	
USE	NAS427K52	143358-308	-	-	
USE	NAS427K58	143358-320	-	-	
1ADB		143358-419	80-25	1	
1ADB		143358-423	87-142	2	
1ADB		143358-424	22-98	1	
1ADB		143358-429	87-143	1	
1ADB		143358-503	20-77	1	
1ADB		143358-813	87-87	2	
1ADB		143358-906	87-	2	
1ADB		143908-006S018-064	83-126	2	
1ADB		143908-007M300-062	170-23	1	
1ADB		143908-008S024-032	31-	2	
1ADB		143908-008S024-125	145-13	1	
1ADB		143908-008S104-062	78-	2	
1ADB		143908-008S116-125	44-	4	
1ADB		143908-009D016-093	198-41	4	
1ADB		143908-009D025-187	198-53	1	
1ADB		143908-009D100-094	31-	2	
1ADB		143908-009M100-064	31-	4	
1ADB		143908-009R104-034	81-25	4	
1ADB		143908-010D024-091	71-	3	
1ADB		143908-010S104-062	89-31	6	
1ADB		143908-010S110-062	90-	1	
1ADB		143908-012S104-064	83-94	1	
1ADB		143908-015D025-091	104-	2	
1ADB		143908-016S104-125	83-87	1	
1ADB		143908-016S112-125	145-61	1	
1ADB		143908-017D030-250	198-	1	
1ADB		143908-017S104-062	152-30	16	
1ADB		143908-018D108-062	152-56	1	
1ADB		143908-018SR104-093	84-34	1	
1ADB		143908-018S108-062	57-44	1	
1ADB		143908-020D100-032	83-135	3	
1ADB		143908-021D106-051	57-43	1	
1ADB		143908-021R100-025	81-36	1	
1ADB		143908-022TC030-061	39-21	2	
1ADB		143908-022TC030-064	48-23	1	
1ADB		143908-024R106-035	147-22	2	
1ADB		143908-025R102-062	39-62	1	
1ADB		143908-026D102-064	200-	4	
1ADB		143908-026M208-032	81-34	1	
1ADB		143908-026TC102-064	83-64	4	
1ADB		143908-028M208-032	146-	1	
1ADB		143908-028TC104-064	84-40	4	
1ADB		143908-106TC024-064	144-22	2	
1ADB		143908-108SR116-093	147-20	1	
1ADB		144185-104	93-11	1	
1ADB		144185-109	86-28	2	
1ADB		145062AD1008	18-34	2	
4103		145290M-C	60-30	1	
4103		145340M1	143-	2	
1ADB		146142-062-018	143-	2	
1ADB		146142-081-016	187-7	1	
1ADB		146142-125-015	23-47	1	
			68-36	2	

STOCK NUMBER			FIGURE and INDEX NUMBER	QTY PER ART- ICAL	SOURCE CODE
CLASS CODE	FIIN or SERIAL NUMBER	PART NUMBER			
1ADB		146142-125-018	92-40	1	
1ADB		146142-125-021	142-43	2	
			142-52		
1ADB		146142-125-022	68-34	2	
1ADB		146142-125-027	19-34	2	
1ADB		146142-125-028	19-4	1	
1ADB		146142-125-100	19-33	2	
1ADB		146142-125-110	41-	2	
1ADB		146142-127-101	81-43	2	
1ADB		146142-127-22	20-6	6	
1ADB		146142-156-020	194-34	2	
1ADB		146142-156-028	194-19	2	
1ADB		146142-187-016	61-23	1	
1ADB		146142-187-028	52-16	1	
1ADB		146142-187-100	21-36	6	
1ADB		146142-375A218	65-22	2	
1ADB		146142-377-026	153-	2	
1ADB		146229-302	79-57	1	
1ADB		146229-400	161-45	4	
1ADB	1560-120-8956	148778-840-4-60	157-17	2	
4730	196-4025	148778-844-4-55	156-5	2	
6700	872925	150	32-20	2	
6600		150PD6	75-6	4	
6600	551421	150P10	126-18	4	
6600		150P15	58-55	2	
			58-72		
6600	551308-5	150P4	58-50	2	
		16844	13-127	2	
1ADB		169295-2	58-42	1	
4849		1700B-1	159-	2	
4805		17197	13-	1	
1ADB		176000-3S07ND000	68-31	1	
1ADB		176000-4S26ND116	198-39	4	
1ADB		176000-4S33ND215	48-71	1	
1ADB		176000-7S07B008	195-6	8	
1ADB		177213-187-374-895	145-	1	
1ADB		177213-250-500-671	31-	2	
1ADB		177213-4375-5605-748	145-	1	
1ADB		177213-4375-5605-873	143-15	2	
1ADB		177213-4375-5605-906	143-16	2	
1ADB		177213-867-1000-687	12-30	2	
1ADB		177469NT1100	124-5	1	
1ADB		177469N6-400	92-83	1	
1015		18-10-2	179-7	1	
1ADB		182718-10A008	151-27	24	
1ADB		187048-6S58	143-27	4	
1ADB		188081	189-9	16	
1ADB		188229	189-21	16	
1ADB		188240	189-25	40	
1ADB		188241	189-18	8	
		188740	191-38	8	
		2A5723	13	4	
		2A5754-10		4	
		2A5754-48		16	
5901		2CV1B1	116-59	2	
		2D6115	13-129	2	
		2D6116	13-134	2	
			116-14		
4805		2R16013	13-51	1	
4805		2R16013-1	13-	1	
4805		2R16014	13-53	1	
4010		2T4771	75-14	1	
3370		2X2-879	123-66	1	
3110	144-8884	201KDD	70-26	22	
			70-99		
			155-23		
			155-57		
3380		2021DE	123-29	1	
4627		2026	95-66	2	
			96-57		
			97-68		

ALL
ALL

Section III
Numerical Index

T.O. 1B-26B-4

STOCK NUMBER			FIGURE and INDEX NUMBER	QTY PER ART- ICAL	SOURCE CODE
CLASS CODE	FIIN or SERIAL NUMBER	PART NUMBER			
1ADB		2028263-18-18	43-68	2	
1ADB		2032879-10A5-12	117-60	1	
3380		2033DEW	42-50	1	
1ADB		2033900-10D049-025	70-40	3	
		2033900-10S049-011	31-	4	
1ADB		2033900-10S065-014	70-100	1	
1ADB		2033900-14D049-123	200-	2	
1ADB		2033900-3D028-025	123-	4	
1ADB		2033900-3D049-008	70-39	2	
1ADK		2033900-4D035-025	95-	4	
1ADB		2033900-4D049-007	30-	2	
1ADB		2033900-4D049-023	30-	2	
1ADB		2033900-4S028-004	35-47	2	
1ADB		2033900-4S028-005	41-	1	
1ADB		2033900-4S028-008	198-8	AR	
1ADB		2033900-4S028-014	62-22	7	
1ADB		2033900-4S028-016	142-29	1	
1ADB		2033900-4S028-026	49-	57	
1ADB		2033900-4S028-119	49-	16	
1ADB		2033900-4S035-003	106-85	1	
1ADB		2033900-4S035-004	132-	3	
1ADB		2033900-5D025-022	152-25	4	
1ADB		2033900-5D035-018	132-	6	
1ADB		2033900-5D035-106	132-	1	
1ADB		2033900-5D049-016	123-	4	
1ADB		2033900-5D049-018	115-	2	
1ADB		2033900-5D049-104	25-	4	
1ADB		2033900-5S049-003	45-31	1	
1ADB		2033900-5S049-031	45-10	1	
1ADB		2033900-5S065-004	35-	2	
1ADB		2033900-6D049-006	14-	5	
1ADB		2033900-6D049-008	60-	AR	
1ADB		2033900-6S049-012	14-	4	
1ADB		2033900-6S049-030	153-17	4	
1ADB		2033900-6S065-200	35-	4	
1ADB		2033900-7D006-014	191-	2	
1ADB		2033900-7S065-003	39-27	2	
1ADB		2033900-8D120-012	65-14	2	
1ADB		2033900-8S120-023	44-	2	
1ADB		2033900-8S120-026	44-	2	
1ADB		2033900-8S120-302	101-	2	
1ADB		2033900-9S005-009	155-	164	
1ADB		2033901-11S406-006	194-16	2	
1ADB		2033901-12D266-010	64-49	4	
1ADB		2033901-12D266-018	65-66	1	
1ADB		2033901-12D308-006	70-	2	
1ADB		2033901-12D328-008	70-	2	
1ADB		2033901-12SR500-018	145-39	1	
1ADB		2033901-14D437-100	49-	2	
1ADB		2033901-16D266-011	179-27	1	
1ADB		2033901-4S191-109	148-	32	
1ADB		2033901-5S187-004	83-124	3	
1ADD		2033901-6K193-020	198-7	2	
1ADB		2033901-6SR187-006	81-61	2	
1ADB		2033901-6SR312-108	74-6	2	
1ADB		2033901-6S250-018	52-	1	
1ADB		2033901-7DR187-100	43-	2	
1ADB		2033901-7D265-017	105-38	1	
1ADB		2033901-7S359-106	89-51	1	

STOCK NUMBER			FIGURE and INDEX NUMBER	QTY PER ART- ICAL	SOURCE CODE
CLASS CODE	FIIN or SERIAL NUMBER	PART NUMBER			
1ADB		2033901-8D193-009	142-46	1	
1ADB		2033901-8D193-018	142-69	1	
1ADB		2033901-8F203-016	110-	5	
1ADB		2033901-8K219-016	87-32	1	
1ADE		2033901-8S189-025	65-36	2	
1ADB		2033901-8S225-003	61-	7	
1ADB		2033901-9CR312-009	64-51	4	
1ADB		2035884-1614-318B	143-40	2	
1ADB		2035884-1614-420	143-58	2	
1ADB		2035884-1614-422	143-20	4	
1ADB		2035884-524-107	200-6	4	
1ADE		2039637-1028	72-34	1	
		2039901-45-191-109	148-	16	
1ADB		2055552	82-58	1	
1ADB	1560-182-4894	2057110	12-	3	
1ADB	1560-182-5881	2057110-1	12-	2	
		2057110-2	12-28	2	
		2057110-3	12-29	2	
USE	NAS124W187	2062606-18W3W187	-	-	
USE	NAS198B093	2062606-2B3B093	-	-	
USE	NAS198R093	2062606-2R3R093	-	-	
USE	NAS198R125	2062606-2R3R125	-	-	
		2062607-6E18BL187	83-	2	
		2062607-6R8R125	83-	4	
USE	NAS121R093	2062609-2R4R093	-	-	
USE	NAS121R187	2062609-2R4R187	-	-	
		2062611-0716-016-03206	14-82	3	
		2062611-1804-016-03206	14-56	2	
		2062612-2	158-28	2	
1ADB	1560-310-0750	2062641-1000A	20-22	2	
1ADB	1560-310-0751	2062641-612A	20-21	2	
1ADB	1560-120-8978	2062641-704A	19-20	1	
1ADB	1560-120-8979	2062641-903A	19-21	1	
		2062646-301S3	68-13	1	
		2062646-508S3	19-16	1	

STOCK NUMBER			FIGURE and INDEX NUMBER	QTY PER ART- ICAL	SOURCE CODE
CLASS CODE	FIIN or SERIAL NUMBER	PART NUMBER			
USE	NAS191-12	2062646-508S4	68-12	1	
USE	NAS191-14	2062648-12A	-	-	
1ADB	NAS191-2	2062648-14A	-	-	
USE	NAS191-4	2062648-16B	116-29	1	
USE	NAS191-7	2062648-2A	-	-	
USE		2062648-4A	-	-	
1ADB	NAS191-8	2062648-7A	-	-	
USE		2062648-7B	29-25	2	
1ADB		2062648-8A	-	-	
1ADB		2062650-408B125	83-18	2	
1ADB	1560-124-3424	2062650-4R8R187	83-39	2	
1ADB		2062663-2A4A125	83-	2	
1ADB		2062663-2BL4BL125	83-16	2	
1ADB		2062667-222B32608	106-9	1	
1ADB	1560-121-7070	2062678-4C	156-8	1	
1ADB		2062682A704W	21-31	1	
1ADB	1560-123-8634	2062682A906W	21-45	1	
1ADB		2069556	80-4	1	
1ADB		2074406-5-6-11028	88-45	1	
1ADB		2074406-5-6-12200	88-44	1	
1ADB		2074406-6-4-27518	78-97	1	
1ADB		2074406-6-4-28616	78-95	1	
1ADB		2074407-16-14-1100	200-25	2	
1ADB		2074407-16-4-10116	82-30	1	
1ADB		2074407-16-4-10608	82-32	2	
1ADB		2074407-16-4-11123	82-24	2	
1ADB		2074407-16-4-14300	82-49	1	
1ADB		2074407-16-4-15116	82-46	2	
1ADB		2074407-16-4-16000	82-27	2	
1ADB		2074407-16-4-16624	82-39	1	
1ADB		2074407-16-4-16824	82-26	4	
1ADB		2074407-16-4-17216	82-38	2	
1ADB		2074407-16-4-9824	82-31	1	
1ADB		2074407-16-5-2522	20-64	1	
1ADB		2074407-16-5-2718	19-83	1	
1ADB		2074407-16-5-2806	19-84	2	
1ADB		2074407-16-5-2828	20-66	3	
1ADB		2074407-16-5-2830	20-62	2	
1ADB		2074407-16-5-3008	20-65	1	
1ADB		2074407-16-5-3018	19-82	1	
1ADB		2074407-16-5-3030	19-81	4	
1ADB		2074407-16-5-3108	82-	1	
1ADB		2074407-16-5-3724	20-63	2	
1ADB		2074407-16-5-3924	82-	1	
1ADB		2074407-16-5-4424	19-85	2	
1ADB		2074407-16-5-5440	100-13	1	
1ADB		2074407-16-6-15100	82-34	3	
1ADB		2074407-16-6-16000	82-	3	
1ADB		2074407-16-6-16700	82-	4	
1ADB		2074407-16-6-17416	82-	2	
1ADB		2074407-2-12-1500	28A-23	4	
1ADB		2074407-2-12-5200	28A-22	4	
1ADB		2074407-4-4-10800	86-36	1	
1ADB		2074407-4-4-16619	86-24	1	
1ADB		2074407-4-8-6008	82-	1	
1ADB		2074407-4-8-7116	82-	1	
1ADB		2074407-6-6-24700	86-27	1	
1ADB		2074407-6-6-25516	86-8	1	
1ADB		2074407-6-6-26200	86-10	1	
1ADB		2074407-6-6-84714	82-67	1	
1ADB		2074407-6-6-84900	86-58	1	
1ADB		2074407-7-11-18600	28A-40	2	
1ADB		2074407-7-11-20000	28A-41	2	
1ADB		2074407-7-7-29700	88-40	1	
1ADB		2074407-7-7-32010	12-	2	
1ADB		2074407-7-7-32200	12-31	2	
1ADB		2074407-7-7-41716	88-42	1	
1ADB		2074407-7-8-24004	18-57	1	
1ADB		2074407-7-8-27608	18-56	1	
1ADB		2074407-8-4-3524	81-83	1	
1ADB		2074407-8-4-5216	81-82	1	
1ADB		2074407-9-9-13224	18-33	1	
1ADB		2074407-9-9-65016	18-	1	
1ADB		2074408-11-11-10020	90-96	1	
1ADB		2074408-11-11-11912	90-60	1	
1ADB		2074408-11-11-9224	90-103	1	
1ADB		2074408-8-8-2800	200-28	4	
1ADB		2074409-10-6-36300	78-87	1	
1ADB		2074409-10-6-37709	78-89	1	
1ADB		2074409-4-4-15708	80-15	1	

Section III
Numerical Index

T.O. 1B-26B-4

STOCK NUMBER			FIGURE and INDEX NUMBER	QTY PER ART- ICLE	SOURCE CODE
CLASS CODE	FIIN or SERIAL NUMBER	PART NUMBER			
1ADB		2074409-5-10-2500	90-95	1	
1ADB		2074409-5-10-3200	90-94	1	
1ADB		2074409-7-10-11410	88-49	1	
1ADB		2074409-7-10-11524	88-50	J	
1ADB		2074409-7-10-12026	88-48	1	
1ADS		2074409-7-10-9800	88-47	1	
1ADB		2074409JE33300	78-91	2	
1ADB		2074410-7-10-32216	18-55	1	
1ADB		2074410-7-10-32300	18-52	2	
1ADB		2074410-7-10-33516	18-54	1	
1ADB		2074410-7-10-33616	18-51	2	
1ADB	1560-304-0250	2085485-1028	81-48	1	
1ADB	1560-182-4911	2085485-1328	81-49	1	
1ADB	1560-312-9345	2085485-910	48-48	1	
1ADB		2094137	188-11	1	
1ADB	1560-181-1066	2104301	58-70	1	
1ADB		2110163A012-103-002	39-29	3	
1ADB		2110163A112-204-002	108-11	1	
1ADB		2110163A201-305-004	103-56	2	
1ADB		2110163B003-008-005	155-	16	
1ADB		2110163B012-100-003	147-14	2	
1ADB		2114933-1907	68-15	4	
1ADB	1560-123-6225	2116137	83-104	2	
			84-117		
			85-33		
		2119391-2	46-22	2	
		2119464-2	46-24	2	
1600		212-0201	169-25	1	
1600		212-0300-1	169-30	1	
1600		212-0801	169-7	1	
1ADK	1560-181-5035	2120866	149-	12	
1ADK		2120896	150-5	2	
1ADK		2123200	150-6	4	
1ADK	1560-124-2999	2123201	157-4	2	
1ADK	1560-181-5038	2123217	197-17	1	
1ADK		2123218	148-48	2	
1ADK	1560-181-5039	2123224	18-38	2	
1ADK	1560-181-5041	2123242	18-	1	
1ADK		2123242-6	18-35	1	
1ADK	1560-125-0484	2123243	18-17	1	
1ADK	1560-124-3000	2123247	7-36	2	
1ADK	1560-181-5043	2123267	18-	1	
1ADK	1560-181-5044	2123274	81-7	2	
1ADK		2123276	81-41	2	
1ADK	1560-144-7034	2123277	81-	1	
1ADK	1560-144-6493	2123277-1	81-	1	
1ADK	1560-234-9073	2123285	151-5	4	
1ADK	1560-181-5045	2123286	5-4	1	
1ADK	1560-121-2304	2123287	5-7	1	
1ADK	1560-181-5046	2123287-1	5-	1	
1ADK	1560-181-5047	2123293	155-18	2	
1ADK		2123298	155-10	2	
1ADK	1560-181-5048	2123299	155-9	2	
1ADK	1560-124-3002	2125428	81-32	2	
1ADK	1560-181-5049	2125429	81-42	2	
1ADK		2126500	94-147	1	
1ADK	1560-109-4799	2126501	155-59	16	
1ADK	1560-125-4509	2126503	155-63	16	
1ADK	1560-125-4509	2126505	155-24	2	
1ADK	1560-125-4508	2126505-1	155-25	2	
1ADK		2126506	155-54	16	
1ADK	1560-109-6618	2126507	155-52	16	
1ADK		2126508	94-	1	
1ADK		2126523	39-40	1	
1ADK	1560-124-2962	2126528	39-50	1	
1ADK		2126529	39-49	1	
1ADK	1560-127-6742	2126530	39-63	1	
1ADK	1560-181-5051	2126532	88-41	3	
1ADK			88-43		
1ADK	1560-181-5052	2126533	39-31	1	
1ADK	1560-144-6492	2126534	38-96	1	
1ADK		2126535	39-15	2	
1ADK	1560-127-6744	2126536	39-20	2	
1ADK	1560-127-7643	2126537	39-30	2	
1ADK	1560-184-7742	2126539	39-4	2	
1ADK	1560-181-5053	2126540	38-38	2	
1ADK		2126541	145-	1	
1ADK	1560-124-3942	2126544	36-12	1	
1ADK	1560-124-2963	2126545	36-21	1	
1ADK		2126546	101-21a	2	
1ADK		2126553	11-18	1	
1ADK	1560-109-6611	2126560	152-48	24	
1ADK		2126566	36-41	1	
1ADK		2126567	36-39	1	

STOCK NUMBER			FIGURE and INDEX NUMBER	QTY PER ART- ICAL	SOURCE CODE
CLASS CODE	FIIN or SERIAL NUMBER	PART NUMBER			
1ADK		2126570	2-2	2	
1ADK		2126579	150-	2	
1ADK		2126587	13-	1	
1ADK	1560-121-2096	2126594	12-	2	
1ADK			100-		
1ADK		2126594-2	12-26	2	
1ADK	1560-123-5471	2126604	100-5		
1ADK	1560-123-5472	2126604-1	7-37	1	
1ADK	1560-125-1969	2126613	7-	1	
1ADK	1560-123-3711	2126621	80-53	1	
1ADK	1560-181-5056	2126623	154-21	2	
1ADK			153-49	3	
1ADK	1560-181-5057	2126623-1	153-66		
1ADK	1560-246-6790	2126629	153-	3	
1ADK		2126636	115-10	1	
1ADK		2126658	32-18	2	
1ADK		2126659	89-14	1	
1ADK	1560-194-4354	2126662	89-19	2	
1ADK	1560-124-0550	2126663	89-25	1	
1ADK	1560-125-0483	2126665	89-29	1	X2
1ADK		2126665-2	89-	2	
1ADK	1560-123-5477	2126671	89-	1	P
1ADK	1560-246-1656	2126676	145-69	1	
1ADK	1560-096-4045	2126683	31-66	4	
1ADK	1560-125-0482	2126684-2	80-19	1	
1ADK	1560-125-0481	2126684-4	8-	2	
1ADK	1560-121-8969	2126684-6	8-	2	
1ADK	1560-181-5229	2126685-1	9-	1	
1ADK			8-58	2	
1ADK	1560-181-5230	2126685-3	8-101		
1ADK		2126686-10	9-41	1	
1ADK		2126686-11	8-102	1	
1ADK	1560-474-0905	2126686-2	8-103	1	
1ADK	1560-474-0906	2126686-3	8-	1	
1ADK	1560-474-0907	2126686-4	8-	1	
1ADK	1560-474-0908	2126686-5	8-	1	
1ADK	1560-474-0909	2126686-6	9-42	1	
1ADK	1560-474-0910	2126686-7	9-43	1	
1ADK		2126686-8	8-59	1	
1ADK		2126686-9	8-60	1	
1ADK		2126687	13-61	1	
1ADK		2126688	14-68	1	
1ADK		2126698	36-6	2	
1ADK		2126702	170-20	1	
1ADK	1560-123-5479	2126711	91-26	1	
1ADK	1560-123-5480	2126714	71-15	10	
1ADK	1560-124-0562	2126715	71-17	10	P
1ADK		2126733	187-44	1	
1ADK		2126734	187-42	1	
1ADK		2126738	13-29	1	
1ADK	1560-122-1696	2126739	13-28	1	
1ADK	1560-109-6622	2126740	116-46	2	
1ADK		2126741	36-7	2	
1ADK	1560-125-4505	2126744-10	38-93	2	
1ADK	1560-181-5061	2126744-2	36-40	3	
1ADK	1560-125-4504	2126744-6	38-91	1	
1ADK	1560-109-6606	2126745-2	38-28	2	
1ADK	1560-109-6607	2126745-4	38-26	2	
1ADK	1560-181-5062	2126747-2	38-83	1	P
1ADK	1560-181-5063	2126747-4	38-	1	
1ADK	1560-194-4353	2126747-6	38-86	1	
1ADK	1560-125-1970	2126766	23-33	1	
1ADK	1560-181-5065	2126766-1	23-	1	
1ADK	1560-121-2303	2126767	23-24	1	
1ADK	1560-181-5066	2126767-1	23-	1	
1ADK	1560-121-2097	2126768	23-	1	
1ADK	1560-121-2098	2126768-1	23-	1	
1ADK	1560-121-2101	2126769	23-	1	
1ADK	1560-121-2100	2126769-1	23-	1	
1ADK		2126774	160-3	2	
1ADK	1560-181-5067	2126775	145-42	1	
1ADK	1560-181-5068	2126777	5-48	1	
1ADK	1560-125-2111	2126778	5-	1	
1ADK		2126782	94-	1	
1ADK		2126787-4	77-16	3	
1ADK		2126790-2	32-21	1	
1ADK		2126790-3	32-	1	
1ADK		2126790-4	32-	1	

Section III
Numerical Index

T.O. 1B-26B-4

STOCK NUMBER			FIGURE and INDEX NUMBER	QTY PER ART- ICAL	SOURCE CODE
CLASS CODE	FIIN or SERIAL NUMBER	PART NUMBER			
		2126790-5	32-22	1	
1ADK		2126794	153-	2	
1ADK	1560-123-5427	2126794-1	153-	1	
1ADK		2126795	153-	1	
1ADK	1560-123-5429	2126795-1	153-	1	
1ADK		2126796	153	1	
1ADK	1560-247-3044	2126796-1	153-	1	
1ADK		2126808	144-	2	
1ADK		2126808-2	144-16	2	
1ADK	1560-035-0123	2126809	36-16	1	
1ADK		2126823	144-13	2	
1ADK		2126829	144-12	2	
1ADK	1560-181-5069	2126832	23-11	2	
1ADK		2126834	23-14	1	
1ADK		2126835	23-13	2	
1ADK	1560-121-2102	2126844	23-	2	
1ADK	1560-121-2103	2126844-1	23-	2	
1ADK		2126844-2	23-20	2	
1ADK		2126844-3	23-21	1	
1ADK		2126847	144-23	2	
1ADK		2126854	13-59	4	
1ADK	1560-436-3844	2126857	153-	1	
1ADK	1560-474-0913	2126857-1	153-	1	
1ADK		2126860	23-9	1	
1ADK		2126862	23-16	1	
1ADK	1560-124-0556	2126892	145-8	1	
1ADK		2126893	145-6	1	
1ADK	1560-121-2104	2129150	23-	1	
1ADK	1560-121-2105	2129150-1	23-	1	
1ADK		2129150-2	23-30	1	
1ADK		2129150-3	23-	1	
1ADK	1560-121-2455	2129151	5-39	2	
1ADK		2129152-1	38-61	1	
1ADK		2129152-2	38-62	1	
1ADK		2129152-5	38-	1	
1ADK		2129152-6	38-	1	
1ADK		2129157	92-15	1	
1ADK		2129160	17-20	1	
1ADK	1560-181-5073	2129173	23-	1	
1ADK		2129173-2	23-40	1	
1ADK	1560-181-5074	2129174	70-3	1	
1ADK	1560-181-5075	2129176	23-	1	
1ADK		2129176-2	23-41	1	
1ADK		2129209	146-67	1	
1ADK		2129210	146-64	1	
1ADK		2129211	146-66	1	
1ADK		2129213	146-63	1	
1ADK	1560-123-5441	2129221	187-	1	
1ADK	1560-121-1127	2129223	93-7	1	
1ADK		2129224	93-10	1	
1ADK	1560-123-5439	2129226	48-12	2	
1ADK		2129227	48-10	2	
1ADK	1560-189-2131	2129229	38-23	2	
1ADK	1560-235-8267	2129230	38-21	1	
1ADK	1560-189-2132	2129230-1	38-	1	
1ADK	1560-194-4355	2129232	38-19	1	
1ADK	1560-181-5077	2129232-1	38-	1	
1ADK	1560-181-5078	2129234	38-76	1	
1ADK	1560-181-5079	2129237	38-80	1	
1ADK		2129239	187-19	2	
1ADK	1560-123-5444	2129241	30-16	3	
			30-25		
1ADK		2129243	94-105	1	
1ADK		2129244	94-106	1	
1ADK	1560-181-5081	2129260	145-10	1	
1ADK	1560-181-5082	2129266	89-30	1	
1ADK	1560-123-5445	2129282	101-21	1	
1ADK		2129283	101-17	1	
1ADK	1560-123-5446	2129284	101-3	1	
1ADK	1560-123-5447	2129290	145-19	1	
1ADK	1560-181-5084	2129302	145-17	1	
1ADK		2129304	30-21	1	
1ADK		2129304-1	30-	1	
1ADK		2129306	48-22	1	
1ADK	1560-109-7295	2129320	115-4	5	
			116-7		
1ADK		2129322	78-28	1	
1ADK		2129323	78-31	1	

STOCK NUMBER			FIGURE and INDEX NUMBER	QTY PER ART- ICAL	SOURCE CODE	
CLASS CODE	FIIN or SERIAL NUMBER	PART NUMBER				
1ADK	1560-123-5438	2129327	89-28	1		
		2129329	187-19	1		
1ADK		2129333-2	148-35	2		
			148-36			
1ADK			2129341	145-68	1	
1ADK			2129342	145-66	1	
1ADK			2129343	145-65	1	
1ADK			2129356	99-22	1	
1ADK		1560-123-5451	2129374	68-7	4	
1ADK		1560-124-0115	2129377	93-15	1	
1ADK		2129383	99-	2		
1ADK		2129384	99-27	1		
1ADK	1560-125-0377	2129388	48-	2		
1ADK		2129389	197-43	1		
1ADK		2129395	99-10	1		
1ADK	1560-303-7272	2129398	99-9	1		
1ADK		2129399	200-19	2		
1ADK		2130661-025C	39-54	1		
1ADB		2130661-029	80-17	1		
1ADB		2130661-104	147-16	2		
1ADC		2139006	57-203	2		
		2142428	28-25	AR		
1ADK	1560-244-0849	2142882	38-	1		
1ADK	1560-244-0848	2142882-1	38-	1		
1ADK		2142927	28-26	1		
1ADK		2142956	33-13	1		
1ADK		2142957	33-17	2		
1ADK		2143019	28-3	4		
1ADK		2143019-1	28-	4		
1ADK		2143070	28-20	1		
1ADK		2143070-1	28-	1		
1ADK	1560-024-3371	2143083	91-63	1		
1ADK		2143226	29-45	2		
1ADK		2143271	33-7	1		
1ADK		2143274	115-53	1		
1ADK		2143354	194-23	2		
1ADK		2143356	194-15	2		
1ADK		2143377	28-29	1		
1ADK		2143455	28-24	1		
1ADK	1560-181-5106	2143473	42-18	4		
			195-94			
1ADK	1560-124-2719	2143677	186-35	1		
1ADK		2143696	194-28	2		
1ADK	1560-181-5058	2143710-10	69-20	1		
1ADK	1560-184-7743	2143710-14	69-24	1		
1ADK	1560-181-8741	2143710-2	69-36	1		
1ADK	1560-181-8742	2143710-6	69-35	1		
1ADK	1560-184-7744	2143777	148-52	2		
1ADK		2143810-6	189-	1		
1ADK		2143810-8	189-6	1		
1ADK		2143811	189-1	1		
1ADK		2143811-1	189-	1		
1ADK	1560-386-5940	2143812	189-2	1		
1ADK	1560-386-5941	2143812-1	189-	1		
1ADK	1560-109-6421	2143970	60-60	2		
			67-46			
1ADK	1560-109-6726	2143971	60-61	2		
			67-50			
1ADK	1560-386-5942	2143997	60-64	2		
			67-48			
1ADK	1560-216-0517	2143998	60-63	2		
			67-44			
1ADK	1560-210-7905	2150713	99-14	1		
1ADK	1560-189-2134	2150714	99-	1		
1ADK		2150714-2	99-1	1		
1ADK		2150725	99-5	2		
			99-26			
1ADK	1560-123-7403	2150727	82-53	1		
1ADK		2150731	99-20	1		
1ADK	1560-181-9389	2150737-2	86-	1		
1ADK	1560-436-3860	2150738	86-26	1		
1ADK		2150742	144-6	2		
1ADK		2150744	95-41	4		
			95-70			
			95-77			
			96-37			
			96-61			
1ADK		2150745	99-12	2		
1ADK		2150746	146-54	1		
1ADK		2150750	147-8	1		

Section III
Numerical Index

T.O. 1B-26B-4

STOCK NUMBER			FIGURE and INDEX NUMBER	QTY PER ART- ICAL	SOURCE CODE
CLASS CODE	FIIN or SERIAL NUMBER	PART NUMBER			
1ADK		2150751	147-6	1	
1ADK		2150765	147-3	1	
1ADK	1560-123-7102	2150766	147-21	2	
1ADK		2150770	86-57	1	
1ADK	1560-474-0920	2150781	82-66	1	
1ADK	1560-396-9764	2150786	48-66	1	
1ADK	1560-121-2007	2150793	48-	1	
1ADK	1560-123-7103	2150793-2	48-40	1	
1ADK		2150794-10	3-20	1	
1ADK	1560-474-0921	2150794-12	3-	1	
1ADK	1560-474-0922	2150794-2	3-23	1	
1ADK		2150794-8	3-26	1	
1ADK	1560-474-0924	2150809-4	150-9	2	
1ADK		2150809-6	150-11	2	
1ADK		2150812	71-53	1	
1ADK	1560-124-6511	2150822	150-8	2	
1ADK		2150824	71-56	8	
1ADK	1560-181-8776	2150826	83-144	1	
1ADK	1560-124-2001		84-149		
			85-149		
1ADK	1560-124-2003	2150827	83-86	1	
			84-103		
			85-116		
1ADK	1560-124-6519	2150832	146-	1	
1ADK	1560-124-1998	2150834	79-	1	
1ADK		2150834-2	79-61	1	
1ADK		2150835	79-73	1	
1ADK	1560-181-8777	2150837	198-60	1	
1ADK	1560-198-7620	2150842	88-18	1	
1ADK		2150844	88-27	1	
1ADK	1560-150-7721	2150845	82-	1	
1ADK		2150845-2	82-60	1	
1ADK		2150849	71-42	2	
1ADK	1560-198-7621	2150859	29-43	2	
1ADK	1560-124-6515	2150888	48-15	1	
1ADK		2151609	79-3	1	
1ADK	1560-166-9626	2151616	86-55	1	
1ADK		2151618	143-67	4	
1ADK		2151623	68-42	2	
1ADK	1560-181-8780	2151647	143-	2	
1ADK	1560-244-1467	2151647-4	143-81	2	A
1ADK	1560-121-7496	2151648	143-	2	P1
1ADK		2151649	143-77	2	
1ADK		2151650	143-70	2	
1ADK	1560-109-4356	2151656	115-5	2	
			116-8		
1ADK		2151660	104-53	1	
1ADK		2151667	94-149	1	
1ADK		2151677	91-31	1	
1ADK		2151697	197-4	2	
1ADK	1560-124-1999	2151703	13-15	1	
1ADK	1560-109-7297	2151726	115-47	1	
1ADK		2151743	91-18	1	
1ADK		2151758	91-	1	
1ADK	1560-124-6031	2151768	91-	1	
1ADK	1560-124-6516	2151772	98-34	2	
1ADK		2151773	98-35	2	
1ADK		2151774	14-3	2	
1ADK	1560-217-4397	2151775	14-7	2	
1ADK		2151778	98-16	3	
1ADK		2151779	98-15	2	
1ADK		2151848	23-56	2	
1ADK	1560-123-8361	2151899	79-2	1	
1ADK		2152266	80-5	1	
1ADK		2153715	9-62	1	
1ADK	1560-121-2512	2153757	14-	1	
1ADK	1560-121-2511	2153758	14-69	1	
1ADK		2153779-2	78-100	2	
			79-76		
1ADK		2153779-4	78-99	2	
			79-77		
1ADK		2153780-2	78-104	2	
			79-79		
1ADK		2153780-4	78-103	2	
			79-80		
1ADK		2153780-6	78-102	2	
			79-81		
1ADK		2153780-8	78-101	2	
			79-82		

STOCK NUMBER			FIGURE and INDEX NUMBER	QTY PER ART- ICAL	SOURCE CODE
CLASS CODE	FIIN or SERIAL NUMBER	PART NUMBER			
1ADK		2153804	115-	1	
1ADK		2153837-2	88-52	2	
1ADK	1560-245-6315	2153849	161-2	2	
1ADK	1560-121-2510	2153850	161-16	4	
			162-9		
1ADK	1560-109-3324	2153852	161-28	4	
			162-20		
1ADK	1560-124-6512	2153872	153-57	2	
1ADK		2153874	153-56	2	
1ADK	1560-181-8788	2153928	48-	1	
1ADK		2153928-6	48-57	1	
1ADK	1560-181-8789	2153942	7-7	4	
1ADK	1560-181-8790	2153951	43-35	1	
1ADK		2155000	78-38	1	
1ADK		2155001	78-10	1	
1ADK		2155005	95-3	1	
			96-3		
			97-3		
1ADK	1550-124-2002	2155012	31-73	2	
1ADK		2155013	31-71	2	
1ADK		2155106-10	125-9	1	
1ADK		2155106-12	125-10	1	
1ADK		2155106-2	125-5	1	
1ADK		2155106-4	125-6	1	
1ADK		2155106-8	125-8	1	
1ADK	1560-109-7157	2155119	152-36	32	
1ADK		2155169	81-12	1	
1ADK	1560-124-6518	2155222	77-7	1	
1ADK	1560-124-2007	2155363	23-2	1	
1ADK	1560-166-9137	2156869	10-7	1	
1ADK		2156887	200-44	1	
1ADK		2156893	10-22	1	
1ADK		2156936	115-24	1	
			118-		
1ADK		2156936-2	118-17	1	
1ADK	1560-125-2359	2156982	153	2	
1ADK		2156982-4	153-62	30	
1ADK		2157746	87-5	1	
1ADK		2157747	87-6	1	
1ADK		2157748	87-7	1	
1ADK		2157749	87-8	1	
1ADK		2157750	87-9	1	
1ADK		2157751	87-10	1	
1ADK		2157752	87-11	1	
1ADK		2157787	77-1	2	
1ADK		2157788	77-3	2	
1ADK	1560-181-8794	2157837-2	83-134	1	
			84-161		
			85-162		
1ADK	1560-245-6316	2157837-4	83-25	1	
			84-33		
			85-43		
1ADK		2157838	83-93	1	
1ADK		2158542	197-13	1	
1ADK	1560-124-2000	2158573	153-14	4	
1ADK	1560-189-2135	2158737	83-15	2	
			84-18		
			85-18		
1ADK	1560-237-2690	2158761	3-21	1	
1ADK		2158768	117-17	1	
1ADK	1560-245-6317	2158776	101-40	4	
1ADK		2159059	179-24	2	
1ADK		2159574-3	29-7	1	
1ADK		2159574-6	29-	1	
1ADK	1560-189-2136	2159581	89-	2	
1ADK	1560-436-3897	2159581-4	89-74	1	
1ADK	1560-124-7090	2159628	83-114	1	
			84-124		
			85-125		
1ADK		2159653	200-10	1	
1ADK		2159654	200-	1	
1ADK		2159681	44-6	4	
			44-8		
1ADK		2159696	200-23	2	
1ADK	1560-210-7907	2159704	78-84	1	
1ADK	1560-144-6484	2159734	148-31	2	
1ADK	1560-124-1996	2159736	28A-15	4	
1ADK	1560-124-1997	2159756	148-	2	
1ADK	1560-109-4560	2159757	148-	2	

Section III
Numerical Index

T.O. 1B-26B-4

STOCK NUMBER			FIGURE and INDEX NUMBER	QTY PER ART- ICAL	SOURCE CODE
CLASS CODE	FIN or SERIAL NUMBER	PART NUMBER			
1ADK	1560-124-6033	2159795	7-41	1	
1ADK		2159795-1	7-	1	
1ADK	1560-181-8793	2159796	7-42	1	P
1ADK	1560-474-0927	2159796-1	7-	1	P
1ADK		2161384	123-54	2	
		2172541	58-37	1	
		2176646	107-43	3	
			107-88		
4832		218Y	159-7	2	
1ADK	1560-198-7622	2190831	7-48	1	
1ADK	1560-188-7555	2190831-1	7-	1	
1ADK	1560-197-9220	2190833	7-49	1	
1ADK	1560-197-9221	2190833-1	7-	1	P1
1ADK		2190913	186-8	1	
1ADK		2190926	200-27	2	
1ADK		2190949	70-34	1	
1ADK		2190950	70-75	1	
1ADK		2190952	70-72	1	
1ADK		2190953	70-73	1	
1ADK		2190954	70-89	1	
1ADK	1560-144-6499	2190955	23-55	5	
1ADK		2190958	70-21	1	
1ADK	1560-181-9174	2190959	70-31	1	
1ADK	1560-181-9175	2190960	70-36	1	
1ADK	1560-181-9176	2190961	70-49	1	
1ADK		2190962	70-22	2	
			70-101		
1ADK		2190963	70-46	3	
			70-55		
1ADK	1560-127-6739	2190964	70-56	1	
1ADK		2190965-1	70-51	1	
1ADK		2190966	70-98	1	
1ADK	1560-125-6278	2190989	70-	2	P
1ADK		2190989-2	70-5	1	
1ADK		2191038	106-6	1	
1ADK	1560-109-7026	2191125	153-21	2	
1ADK	1560-109-7027	2191125-1	153-	2	
1ADK	1560-109-7029	2191126	153-20	1	
1ADK	1560-109-7028	2191126-1	153-	1	
1ADK	1560-109-7030	2191127	153-19	1	
1ADK	1560-109-7031	2191127-1	153-	1	
1ADK		2192006	10-53	1	
1ADK	1560-181-9178	2192061	70-2	1	
1ADB		2192073-6	23-57	3	
1ADB		2192073-8	23-	3	
1ADB		2192075-10	23-58	3	
1ADB		2192075-12	23-	3	
1ADK		2192126	106-1	1	
1ADK		2192184	142-14	2	
1ADK		2192186	92-	1	
1ADK		2192186-4	92-84	1	
1ADK		2192192	81-57	2	
1ADK	1560-144-6502	2192613	68-	2	
1ADK	1560-144-6501	2192613-1	68-	2	
1ADK		2192613-2	68-10	1	
1ADK		2192613-3	68-	1	
1ADK	1560-181-8699	2192630	6-18A	4	
1ADK		2192632	104-8	2	
			110-69		
1ADK		2192637	189-7	1	
1ADK	1560-125-4745	2192638	181-2	8	
			189-		
1ADK	1560-189-2137	2192643	142-55	1	
1ADK	1560-122-3830	2192648	142-51	1	
1ADK	1560-189-2138	2192650	142-48	1	
1ADK	1560-238-8152	2192663	142-41	1	
1ADB		2192664	189-15	1	
1ADK	1560-122-3829	2192665	181-7	8	
			189-		
1ADK	1560-121-6467	2192670	36-10	1	
1005	025-4421	2192674	189-14	1	
1ADK		2192688	104-25	4	
			106-34		
1ADK		2192701	87-22	1	
1ADK	1560-121-6118	2192702	87-21	1	
1ADK		2192704	142-57	2	
1ADK		2192705	83-120	1	
			84-134		
			85-136		

STOCK NUMBER			FIGURE and INDEX NUMBER	QTY PER ART- ICAL	SOURCE CODE
CLASS CODE	FIIN or SERIAL NUMBER	PART NUMBER			
1ADK		2192706	2-8	2	
1ADK		2192709	142-65	1	
1ADK	1560-436-3930	2192752	153-22	2	
1ADK	1560-122-3831	2192753	153-	4	
1ADK		2192758	92-66	1	
1ADK		2192759	31-28	1	
1ADK	1560-396-9769	2192765	15-27	3	
1ADK		2192767	179-6	2	
1ADK	1560-244-3523	2192787	92-65	1	
1ADK		2192789	104-59	2	
			108-10		
1ADK	1560-396-9770	2192799	15-29	3	
1ADK	1560-396-9771	2193605	89-56	1	
1ADK		2193659	104-14	1	
1ADK		2193678-10	67-38	4	
1ADK		2193678-12	67-8	8	
			67-41		
1ADK		2193678-2	60-53	8	
			67-31		
1ADK		2193678-4	60-55	8	
			67-33		
1ADK		2193678-6	60-58	8	
			67-32		
			67-39	4	
1ADK		2193681	198-	1	
1ADK		2193681-2	198-3	AR	
1ADK		2193684	102-28	8	
5629		2193685	102-	1	
5629		2193685-2	102-9	1	
1ADK		2193686	101-4	1	
5629		2193695	198-	1	
1ADK		2193719	105-53	1	
1ADK		2193724	105-22	1	
1ADK		2193725	105-1	1	
1ADK		2193726	105-31	1	
1ADK		2193749	45-7	J	
1ADK		2193751-2	24-21	1	
1ADK		2193751-4	24-22	1	
1ADK		2193751-6	24-25	1	
1ADK		2193752-2	24-3	1	
1ADK		2193752-4	24-4	1	
1ADK		2193752-6	24-7	1	
1ADK		2193755	94-	1	
1ADK	1560-121-5515	2193762	23-	1	
1ADK		2193762-2	23-42	1	
1ADK	1560-181-9181	2193764	23-	1	
1ADK		2193764-2	23-43	1	
1ADK		2193778	117-26	1	
1ADK		2193779	179-42	2	
1ADK		2193791	94-	1	
1ADK	1560-181-9182	2195016	41-20	2	
1ADK		2195018	92-87	1	
1ADK	1560-181-9183	2195020	41-18d	2	
1ADK	1560-181-9184	2195021	41-18c	1	
1ADK	1560-181-9185	2195025	41-18	2	
1ADK	1560-118-1547	2195029	19-13	1	
1ADK	1560-121-6318	2195030	19-	1	
1ADK		2195030-2	19-27	1	
1ADK	1560-197-9222	2195031	153-15	2	
1ADK	1560-197-9223	2195031-1	153-	2	
1ADK	1560-121-5118	2195033	70-1	2	
1ADK		2195037	179-8	1	
1ADK		2195047	104-10	2	
			110-59		
1ADK		2195048	104-12	2	
			110-62		
1ADK	1560-118-1549	2195056	70-7	4	
1ADK		2195058	179-28	1	
1ADK	1560-122-5014	2195060	157-5	2	
1ADK	1560-035-0125	2195067	20-9	1	
1ADK		2195069	20-15	4	
			21-41		
			22-30		
			22-37		
1ADK	1560-122-5015	2195087	187-37	1	
1ADK	1560-122-3365	2195103	26-2	1	

Section III
Numerical Index

T.O. 1B-26B-4

STOCK NUMBER			FIGURE and INDEX NUMBER	QTY PER ART- ICAL	SOURCE CODE
CLASS CODE	FIIN or SERIAL NUMBER	PART NUMBER			
IADK	1560-035-0126	2195126	180-4	2	
IADK		2195127	200-42	1	
IADK	1560-122-3351	2195129	76-	1	
IADK	1560-122-3836	2195130	43-40	1	
IADK		2195132	57-97	1	
IADK		2195139	118-2	1	
IADK		2195149	116-92	1	
IADK		2195157	115-27	1	
IADK		2195158	117-74	1	
IADK		2195189	117-68	1	
IADK	1560-122-3363	2196502	30-32	2	
IADK	1560-131-8138	2196503	30-31	1	
IADK		2196503-1	30-	1	
IADK	1560-396-9772	2196519	57-151	1	
IADK		2196609	95-62	3	
			96-53		
			97-64		
IADK	1560-122-3352	2196629	151-20	4	
IADK	1560-122-0300	2196630	151-24	4	
		2196636	45-29	1	
6500	510998	22A1-02BC100X188	104-	3	
6500		22A21-6-02	49-	3	
6500	513257-42	22D10-82	108-	4	
6500	513257-64	22D12-02	86-34	4	
6500	513257-645	22D16-02	87-	1	
6500	485725	22K1-02	62-24	AR	
			62-50		
			63-28		
			63-58		
			63-69		
			74-		
			82-		
6500	485600	22K1-82	74-	6	
6500	522900	22TM62	60-	125	
			69-		
4518		220A-AS1	44-1	1	
IADK		2201486	90-99	1	
IADK		2201487	90-101	1	
IADK		2201491-2	90-61	1	
IADK		2201491-4	90-62	1	
IADK	1560-181-9191	2201500	90-20	4	
			90-30		
IADK		2202008-2	17-12	2	
IADK		2202008-4	17-13	2	
IADK		2202195	195-33	1	
IADK		2202195-1	195-	1	
IADK		2202196	195-34	1	
IADK		2202196-1	195-	1	
IADK	1560-181-9197	2202228	69-49	1	
IADK		2202248	102-15	1	
IADK	1560-181-9198	2202265	69-45	1	
IADK		2202266	69-44	1	
IADK	1560-122-3353	2202277	69-54	1	
IADK	1560-396-9774	2202282	15-	1	
IADK	1560-025-4422	2202297	69-26	2	
IADK		2202326	195-25	2	
IADK	1560-035-0128	2202376	159-23	2	
4846		2202388	57-163	1	
IADK		2202449	200-35	2	
IADK		2202580-10	192-21	1	
IADK		2202580-12	192-18	1	
IADK		2202580-2	192-12	1	
IADK		2202580-4	192-13	1	
IADK		2202580-6	192-20	1	
IADK		2202580-8	192-19	1	
IADK	1560-125-6743	2202689	153-79	1	
IADK	1560-125-6589	2202689-1	153-	1	
IADK		2202701	31-41	1	
IADK	1560-125-5508	2202807	94-158	1	
IADK	1560-121-2406	2202807-1	94-	1	
IADK	1560-166-1999	2202829	187-59	1	
IADK		2202997	106-61	2	
IADK		2203008	106-91	1	
IADK		2203085-2	106-95	1	
IADK		2203085-4	106-97	1	
IADK	1560-181-9202	2203087	106-	1	
IADK		2203097	106-75	1	

STOCK NUMBER			FIGURE and INDEX NUMBER	QTY PER ART- ICAL	SOURCE CODE
CLASS CODE	FIIN or SERIAL NUMBER	PART NUMBER			
1ADK	1560-024-3377	2203098	33-15	1	
1ADK		2203101	29-46	2	
6126	L368-30	2203132-2	29-	1	
6126	L368-16	2203132-4	29-	1	
6126	6126-L369-12	2203135-2	115-81	1	
6126	6126-L369-26	2203135-4	115-82	1	
1ADK		2203136	161-20	4	
			162-13		
1ADK		2203160	14-41	2	
		2203270	43-	1	
1ADK		2203284	44-4	1	
1ADK		2203287	198-10	1	
1ADK		2203298	198-12	1	
		2203364-2	38-34		
1ADK	1560-181-9206	2203364-4	38-70	1	
1ADK	1560-181-9207	2203365-2	38-32	2	
1ADK	1560-181-9208	2203365-4	38-71	1	
1ADK	1560-181-9209	2203372	38-30	2	
1ADK	1560-181-9210	2203382-2	38-68	1	
1ADK	1560-181-9211	2203382-4	38-69	1	
1ADK		2203394	179-48	1	
1ADK		2203441	29-	1	
1ADK		2203463	17-24	1	
1ADK	1560-122-9823	2203474	29-37	1	
1ADK	1560-181-9212	2203501	30-6	1	
1ADK		2203506	195-50	1	
1ADK		2203506-1	195-	1	
1ADK		2203507	195-47	1	
1ADK		2203507-1	195-	1	
1ADK	1560-181-9213	2203649	41-23	1	
1ADK		2203678	29-52	1	
1ADK		2203683	10-25	1	
1ADK	1560-035-0129	2203883-1	10-	1	
1ADK		2203990	195-45	1	
1ADK		2203990-1	195-	1	
1ADK	1560-189-2139	2204034	77-11	1	
1ADK		2204135	77-13	1	
1ADK	1560-122-5088	2204190	75-13	1	
1ADK	1560-386-5944	2204219	67-9	2	
1ADK		2204412	160-9	2	
1ADK		2204601	15-36	1	
1ADK		2204701	189-29	2	
1ADK	1560-181-9223	2204741	109-30	1	
1ADK	1560-109-6442	2204774	49-20	2	
1ADK		2204887	189-38	2	
1ADK		2204888	189-43	2	
1ADK		2204889	189-44	1	
1ADK		2204889-1	189-	1	
1ADK		2204890	189-39	1	
1ADK		2204890-1	189-	1	
1ADK		2204946	104-5	2	
			110-73		
1ADK	1560-024-3378	2204949	52-66	1	
1ADK	1560-217-4398	2204949-1	52-	1	
1ADK	1560-122-5081	2204957	52-53	1	
1ADK	1560-122-7189	2204958	52-50	1	
1ADK		2204988	58-64	1	
1ADK		2204988-4	58-	1	
1ADK	1560-396-9775	2205014	58-	1	
1ADK	1560-396-9776	2205015	58-	1	
1ADK	1560-396-9777	2205065	52-68	2	
1ADK		2205066-2	109-42	1	
1ADK		2205066-4	109-43	1	
1ADK	1560-122-5264	2205072	108-48	2	
			109-9		
1ADK	1560-035-0130	2205078	116-48	1	
1ADK		2205079	116-	1	
1ADK		2205080	116-39	1	
1ADK	1560-122-5266	2205122	52-19	1	
1ADK	1560-216-0519	2205141	116-56	2	
1ADK		2205171	162-6	2	
1ADK		2205188	52-	12	
1ADK		2205189	52-22	1	
1ADK		2205202	52-37	1	
1ADK		2205210	49-	2	
1ADK	1560-396-9779	2205220	52-	1	
1ADK	1560-123-3493	2205239	49-17	2	
1ADK		2205284	107-131	1	
1ADK		2205306	92-35	1	
1ADK		2205307	92-36	1	
1ADK		2205335	110-9	2	

Section III
Numerical Index

T.O. 1B-26B-4

STOCK NUMBER			FIGURE and INDEX NUMBER	QTY PER ART- ICAL	SOURCE CODE
CLASS CODE	FIIN or SERIAL NUMBER	PART NUMBER			
1ADK		2205340	110-17	1	
1ADK		2205344	110-10	1	
1ADK		2205360	24-5	2	
			24-23		
1005	396-9780	2205379	195-85	4	
1ADK		2205386	181-	4	
1ADK		2205407	120-43	1	
1ADK		2205415	145-55	2	
1ADK		2205434	112-3	1	
1ADK		2205435	111-	1	
1ADK		2205435-2	111-55	1	
1ADK		2205436	112-4	1	
1ADK		2205437	112-5	2	
1ADK		2205438	112-6	1	
1ADK	1560-040-5000	2205514	29-68	1	
1ADK		2205514-1	29-	1	
1ADK		2205535	24-11	5	
			24-29		
			103-15		
1ADK		2205536	103-48	2	
			109-27		
1ADK		2205582	161-11	2	
1ADK	1560-121-1906	2205585	161-1	2	
1ADK		2205611	179-15	1	
1ADK		2205611-4	179-17	1	
1ADK	1560-125-3682	2205617	110-20	3	
			110-45		
			111-46		
1ADK		2205642	50-2	2	
1ADK		2205648	13-40	1	
1ADK	1560-122-8588	2205738	10-12	1	
1ADK	1560-122-8589	2205750	91-52	2	
			145-		
1ADK		2205750-2	145-24	1	
1ADK	1560-122-8590	2205751	145-36	1	
1ADK		2205752	145-34	1	
1ADK		2205753	145-27	1	
1ADK	1560-122-8591	2205754	145-32	1	
1ADK		2205769-2	12-	1	
1ADK		2205769-4	12-	1	
4831	6-1841-20	2205769-6	100-3	1	
1ADK		2205803	11-30	1	
1ADK		2205842	78-93	2	
1ADK		2205844	110-50	2	
			116-	1	
1ADK	1560-121-8747	2205863	116-	1	
1ADK		2205864	116-	1	
1ADK		2205923	110-55	1	
1ADK		2205969	110-39	2	
4831	4130-3-4	2206014	12-	1	
1ADK	1560-217-4399	2206030	115-44	1	
1ADK		2206042	91-51	1	
1ADK		2206044	91-49	1	
1ADK	1560-121-4506	2206052	81-47	2	
1ADK		2206208-2	28-16	2	
1ADK		2206208-4	182-3	4	
1ADK		2206212	182-	13	
1ADK		2206212-2	28-	4	
1ADK	1560-125-1923	2206362	72-18	1	
1ADK	1560-125-1922	2206373	72-9	1	
1ADK		2206384	72-16	1	
1ADK	1560-121-8748	2206391	72-	1	
1ADK		2206528	107-58	1	
1ADK		2206539	195-96	4	
1ADK		2206589	57-99	1	
1ADK		2206592	57-102	1	
1ADK		2206595	57-108	1	
1ADK		2206606	17-15	1	
1ADK		2206612	120-55	2	
			121-43		
1ADK		2206613	120-54	2	
			121-8		
1ADK		2206678-500	107-50	1	
1ADK		2206678-502	107-52	1	
1ADK		2206678-504	107-84	1	
1ADK		2206678-506	107-85	1	
1ADK	1560-216-0520	2206688	57-	1	
1ADK	1560-217-4400	2206701	13-112	6	

STOCK NUMBER			FIGURE and INDEX NUMBER	QTY PER ARTI- CAL	SOURCE CODE
CLASS CODE	FIIN or SERIAL NUMBER	PART NUMBER			
1ADK	1560-122-2455	2206732	13-65	1	
1ADK	1560-109-3870	2206735	153-67	1	
1ADK	1560-109-3869	2206735-1	153-	1	
1ADK	1560-181-9246	2206737	100-20	1	
1ADK		2206751-2	107-75	1	
1ADK		2206751-4	111-5	1	
1ADK		2206796	178-41	2	
1ADK		2206847	48-79	1	
1ADK		2206848	181-	2	
1ADK		2206849	181-	2	
1ADK		2206850	181-	2	
1ADK		2206851	181-	2	
1ADK	1560-303-1682	2206877	13-13	1	
1ADK		2206948	29-69	1	
1ADK		2206948-1	29-	1	
1ADK	1560-040-5001	2206949	29-67	1	
1ADK	1560-035-0132	2206949-1	29-	1	
1ADK		2206987	187-69	1	
1ADK	1560-396-9781	2206998	95-71	1	
			96-62		
			97-73		
1ADK	1560-306-8209	2207002	117-46	3	
1280	024-3379	2207006	187-	1	
1ADK		2207007	187-70	1	
1ADK		2207008-2	17-46	2	
1ACK		2207023	38-	4	
1ADK		2207036	111-11	1	
1ADK	1560-181-9250	2207053	48-33	1	
1ADK	1560-304-0483	2207055	117-49	36	
1ADK		2207058	52-10	1	
1ADK		2207082	92-24	1	
1ADK	1560-024-3380	2207085	29-31	2	
1ADK		2207148	197-69	1	
1ADK		2207191	70-	1	
1ADK		2207201	12-	1	
1ADK		2207201-1	12-	1	
1ADK		2207201-2	12-37	1	
1ADK		2207201-3	12-38	2	
1ADK		2207216	158-23	2	
1ADK	1560-035-0133	2207217	158-	2	
1ADK		2207217-2	158-19	2	
1ADK		2207219	158-	2	
1ADK		2207219-2	158-25	2	
1ADK		2207244	31-49	1	
1ADK		2207244-1	31-	1	
1ADK		2207256	115-	1	
			118-		
1ADK		2207256-2	118-20	1	
1ADK		2207257	118-21	1	
1ADK	1560-216-0521	2207272	29-83	6	
			116-19		
			118-9		
1ADK		2207273	115-36	3	
			116-		
			118-		
1ADK		2207282	107-127	1	
1ADK	1560-306-8210	2207334	31-58	1	
1ADK		2207358	31-51	1	
1ADK	1560-024-3382	2207359	31-50	1	
1ADK		2207365	45-21	1	
1ADK		2207365-1	45-	1	
1ADK		2207366	45-19	2	
1ADK		2207482	105-65	1	
1ADK	1560-125-2203	2207544	12-24	3	
			100-7		
1ADK	1560-121-0355	2207634	43-5	2	
1ADK		2207640	112-20	1	
1ADK		2207641	45-25	1	
1ADK		2207670	108-6	1	
1ADK		2207676	13-35	1	
1ADK	1560-122-1325	2207679	95-90	1	
			96-70		
			97-81		
1ADK		2207701	107-129	1	
1ADK	1560-122-1323	2207727	60-	1	
1ADK		2207730	108-4	1	
1ADK		2207779	60-27	1	
1ADK		2207823	146-9	1	

Section III
Numerical Index

T.O. 1B-26B-4

STOCK NUMBER			FIGURE and INDEX NUMBER	QTY PER ART- ICAL	SOURCE CODE
CLASS CODE	FIIN or SERIAL NUMBER	PART NUMBER			
1ADK		2207824	146-	1	
1ADK		2207840	51-22	1	
1ADK	1560-035-0134	2207841	51-23	1	
1ADK	1560-035-0135	2207842	116-	2	
1ADK	1560-121-7311	2207843	116-	1	
1ADK	1560-122-1317	2207866	84-78	2	
			85-89		
1ADK	1560-122-1316	2207867	84-37	1	
			85-47		
1ADK	1560-122-1315	2207868	84-38	1	
			85-48		
1ADK		2207870	84-91	2	
			85-103		
1ADK	1560-245-1953	2207871	84-97	4	
			85-110		
1ADK	1560-125-2206	2207874	84-53	1	
			85-63		
1ADK	1560-125-2204	2207875	84-73	1	
			85-83		
1ADK		2207876	84-89	4	
			85-100		
1ADK		2207876-1	84-	4	
			85-101		
1ADK		2207877	84-99	8	
			85-112		
1ADK		2207878	84-65	2	
			85-75		
1ADK		2207878-1	84-66	2	
			85-76		
1ADK		2207879	84-36	1	
			85-46		
1ADK		2207880	84-77	1	
			85-87		
1ADK		2207891	107-102	1	
1ADK		2207898	61-22	1	
1ADK		2207899	65-95	7	
1ADK		2207913	107-104	1	
1ADK		2207926	118-12	1	
1ADK		2207927	115-37	1	
			118-		
1ADK		2207950	8-3	2	
1ADK	1560-125-2205	2207963	84-39	1	
			85-49		
1ADK	1560-122-3011	2207969	64-5	7	
1ADK	1560-122-3012	2207969-1	64-	7	M1
1ADK	1560-308-6347	2207973	73-53	1	
1ADK		2207975-500	42-69	1	
1ADK	1560-189-2141	2207978	61-	7	
1ADK		2207980	63-64	1	
1ADK		2207982	62-61	1	
			63-65		
1ADK		2207983	73-8	1	
1ADK	1560-308-6348	2207984	73-11	1	
1ADK		2207985	73-9	1	
1ADK		2207986	62-63	2	
			63-67		
1ADK		2207987	64-15	7	
1ADK	1560-199-9007	2207989	64-34	1	
1ADK	1560-216-0523	2207990	64-25	1	
1ADK		2207992	62-62	2	
			63-66		
1ADK	1560-122-3009	2207994	62-59	2	
			63-		
1ADK	1560-122-3008	2207995	64-17	9	
1ADK		2208021	62-	15	
			62-23		
			62-49		
			63-27		
			63-57		
1ADK		2208025	64-16	1	
1ADK	1560-122-3007	2208031	73-	1	
1ADK	1560-181-9272	2208041	64-24	2	
			65-15		
1ADK	1560-396-9784	2208042	64-37	2	
1ADK	1560-121-3595	2208055	64-31	1	
1ADK	1560-122-2637	2208056	64-7	7	
1ADK		2208058	64-33	1	
1ADK		2208063	62-56	2	
			63-63		

STOCK NUMBER			FIGURE and INDEX NUMBER	QTY PER ART- ICAL	SOURCE CODE	
CLASS CODE	FIIN or SERIAL NUMBER	PART NUMBER				
1ADK	1560-122-2508	2208064	143-26	2		
1ADK		2208078	62-65	2		
				63-73		
1ADK			2208135	61-47		1
1ADK			2208136	61-48		1
1ADK			2208141	2-5		4
1ADK		1560-189-2142	2208158	62-9		1
1ADK		1560-125-6593	2208160	41-47		1
1ADK		1560-125-6592	2208161	48-7		1
1ADK		1560-216-0524	2208163	65-72		1
		2208166	120-52	4	P	
			121-45			
1ADK		2208168	64-43	1		
1ADK	1560-121-1917	2208210	61-42	1		
1ADK	1560-123-0117	2208223	62-16	4		
			62-42			
			63-20			
			63-50			
1ADK		2208224	62-19	8		
			62-45			
			63-21			
1ADK		2208225	63-51	4		
			62-17			
			62-43			
			63-22			
			63-52			
1ADK		2208225-1	62-	4		
			63-			
1ADK	1560-123-0123	2208235	145-	1		
1ADK		2208252	181-9	16		
1ADK	1560-123-0126	2208308	61-35	1		
1ADK		2208317	61-38	1		
1ADK		2208317-1	61-	1		
1ADK	1560-121-3596	2208327	62-55	2		
			63-62			
1ADK	1560-396-9785	2208328	61-9	1		
1ADK	1560-396-9786	2208328-1	61-	1		
1ADK		2208341	61-36	1		
1ADK		2208361	61-	1		
1ADK		2208362	61-17	1		
1ADK		2208363	65-71	1		
1ADK	1560-123-0130	2208364	64-62	1		
			65-			
1ADK		2208364-2	65-69	1		
1ADK	1560-109-6444	2208401	64-53	1		
			65-57			
1ADK	1560-123-0131	2208406	64-47	1		
			65-54			
1ADK		2208422	65-60	4		
1ADK	1560-232-3346	2208423	43-12	4		
1ADK	1560-123-0132	2208428	64-45	4		
			65-50			
1ADK		2208440	107-14	1		
1ADK		2208448	32-33	1		
1ADK		2208448-1	32-	1		
1ADK	1560-235-7520	2208502	62-35	1		
1ADK		2208517	82-19	1		
1ADK		2208541	115-	2		
1ADK		2208574	29-	2		
1ADK		2208604	85-28	1		
1ADK		2208605	85-36	1		
1ADK		2208607	109-26	1		
1ADK	1560-122-0147	2208615	64-54	4		
			65-59			
1ADK		2208618	82-18	1		
1ADK		2208620	60-24	1		
1ADK		2208621	60-25	1		
1ADK		2208622	60-26	1		
1ADK		2208681	60-19	1		
1ADK		2208702	10-41	2		
1ADK	1560-121-1916	2208703	64-59	4		
1ADK	1560-122-7204	2208715	64-81	2		
			65-			
1ADK		2208723	47-13	2		
1ADK		2208724	47-11	1		
1ADK	1560-125-6754	2208733	41-44	2		
			48-			
1ADK		2208750	195-56	4		
1ADK		2208752	79-63	2		

Section III
Numerical Index

T.O. 1B-26B-4

STOCK NUMBER			FIGURE and INDEX NUMBER	QTY PER ART- ICAL	SOURCE CODE
CLASS CODE	FJIN or SERIAL NUMBER	PART NUMBER			
1ADK		2208754	64-64	1	
1ADK		2208755	65-79	1	
1ADK		2208755-1	64-65	1	
1ADK	1560-109-6445	2208820	65-80	1	
1ADK		2208821	65-81	3	
1ADK		2208832	64-52	1	
1ADK		2208845	65-56	4	
1ADK		2208846	64-63	1	
1ADK		2208847	65-78	4	
1ADK		2208848	64-69	1	
1ADK	1560-182-6233	2208856	65-85	1	
1ADK		2208857	64-78	2	
1ADK		2208866	65-89	2	
1ADK		2208883	64-71	7	
1ADK		2208890	65-87	1	
			64-73	2	
			65-88	1	
			64-75	2	
			65-90	1	
			64-66	2	
			65-82	7	
			64-9	1	
			64-77	2	
			65-91	3	
			64-68	1	
			65-83	2	
			83-44	3	
			83-56		
			83-105		
			84-49		
			84-61		
			84-118		
			85-32		
			85-59		
			85-71		
1ADK	1560-122-7210	2208984	18-	1	
1ADK		2208986	64-80	1	
1ADK		2208986-2	65-	1	
1ADK		2208987	65-70	2	
1ADK		2208987-1	64-48	2	
1ADK		2208991	65-75	2	
1ADK	1560-109-3371	2208992	64-	12	
1ADK		2208993-2	65-	1	
1ADK	1560-166-9457	2209010	64-56	1	
1ADK	1560-166-2513	2209011	65-76	1	
1ADK	1560-123-0121	2209072	18-	1	
1ADK	1560-123-0120	2209072-1	18-36	1	
1ADK	1560-125-1919	2209073	57-106	1	
1ADK	1560-245-1954	2209074	57-101	1	
1ADK		2209084	81-	1	
1ADK		2209140	81-	1	
1ADK	1560-121-9241	2209143	163-16	2	
1ADK	1560-121-9241	2209169	62-64	2	
1ADK	1560-125-1916	2209181	63-68	8	
1ADK		2209192	181-5	1	
1ADK	1560-182-6270	2209237	107-9	2	
1ADK		2209247	47-20	4	
1ADK	1560-182-6304	2209250	186-	1	
1ADK	1560-182-6306	2209271	47-22	1	
1ADK		2209312	94-116	1	
1ADK		2209339	32-57	1	
1ADK	1560-182-6273	2209341	92-12	1	
1ADK	1560-182-6274	2209342	64-4	2	
1ADK	1560-024-3383	2209458-502	103-55	2	
1ADK	1560-030-4242	2209458-504	110-106	2	
1ADK	1560-216-0528	2209458-506	103-57	2	
1ADK		2209458-508	110-108	2	
			103-49	4	
			110-100	4	
			31-20	4	
			31-27N	4	
			31-21	4	
			31-27P	4	
			31-24	4	
			31-27S	4	
			31-22	4	
			31-27Q	4	

M1

STOCK NUMBER			FIGURE and INDEX NUMBER	QTY PER ART- ICAL	SOURCE CODE
CLASS CODE	FIIN or SERIAL NUMBER	PART NUMBER			
1ADK	1560-182-6278	2209459	31-3	2	
1ADK	1560-121-3143	2209459-1	31-4	2	
1ADK		2209462	31-5	4	
1ADK		2209521	97-47	3	
			97-72		
1ADK		2209589	27-26	2	
1ADK		2209616	27-25	2	
1ADK		2209627-502	31-11	4	
			31-27F		
1ADK		2209627-504	31-17	4	
			31-27K		
1ADK		2209627-508	31-14	4	
			31-27M		
1ADK		2209627-510	31-25	2	
1ADK	1560-182-6255	2209628	107-12	1	
1ADK		2209693	107-11	1	
1ADK		2209701	191-36	8	
1ADK	1560-182-6253	2209707	108-5	1	
1ADK		2209712	13-76	1	
1ADK		2209753	180-16	1	
1ADK		2209754	180-8	1	
1ADK		2209757	180-9	1	
1ADK		2209796	57-	1	
		2226	111-	1	
1ADK		2227	110-24	1	
1ADK		2275022-500	43-77	1	
1ADK		2275022-502	43-78	1	
1ADK		2275022-504	43-79	1	
1ADK		2275145	16-2	3	
1ADK		2275146	16-4	1	
1ADK	1560-235-7521	2275177	153-10	4	
1ADK		2275187	115-54	1	
1ADK		2275194	104-38	2	
			106-56		
1ADK		2275195	182-2	5	
1ADK		2275578	76-7	1	
1ADK		2275579	76-8	1	
1ADK		2275594	191-	6	
1ADK		2275642	35-20	12	
1ADK	1560-121-2209	2275643	35-22	4	
1ADK		2275644	35-	2	
1ADK	1560-124-0627	2275644-2	35-18	8	
1ADK		2275654	35-50	2	
1ADK		2275655	35-51	2	
1ADK	1560-190-1287	2275656	35-52	2	
1ADK		2275657	35-56	2	
1ADK		2275659	35-55	2	
1ADK		2275666	35-	4	
1ADK		2275667	35-	4	
1ADK	1560-124-1239	2275668	35-	4	
1ADK		2275668-2	35-28	2	
1ADK	1560-217-4403	2275669	35-	16	
1ADK		2275669-2	35-25	4	
1ADK		2275670	35-1	1	
1ADK		2275670-1	35-2	1	
1ADK		2275671	35-3	2	
1ADK		2275672	35-41	18	
1ADK	1560-123-5635	2275677	27-4	3	
1ADK		2275683	106-54	2	
1ADK	1560-124-3704	2275686	13-	1	
1ADK		2275712	38-	1	
1ADK		2275723	29-	2	
1ADK		2275760	16-43	2	
1ADK		2275761	16-44	2	
1ADK		2275763	27-10	3	
1ADK		2275796-500	57-201	1	
1ADK		2275796-502	57-200	2	
1ADK		2275803	35-60	2	
1ADK		2275820	107-80	1	
1ADK	1560-124-2973	2275862	143-	1	
1ADK	1560-124-2972	2275862-1	143-	1	
1ADK		2275884	41-41	1	
1ADK		2275884-1	41-42	1	
1ADK	1560-190-1293	2275893	41-38	1	
1ADK		2275914	41-40	4	
1ADK		2275938	13-	2	
1ADK		2275944	85-88	2	
			85-109		

Section III
Numerical Index

T.O. 1B-26B-4

STOCK NUMBER			FIGURE and INDEX NUMBER	QTY PER ART- ICAL	SOURCE CODE	
CLASS CODE	FIIN or SERIAL NUMBER	PART NUMBER				
1ADK	1560-187-8355	2275965	61-53	1		
1ADK		2275966	61-55	1		
1ADK		2276028	132-21	2		
1ADK		2276030	62-26	8		
			62-52			
			63-29			
			63-59			
1ADK	1560-194-5193	2276042	102-	12		
1ADK		2276057	143-	8		
			143-59			
1ADK	1560-210-7909	2276117	107-62	1		
1ADK		2276150	35-40	2		
1ADK		2276163	180-	5		
				182-		
1ADK		2276164	180-17	2		
				182-27		
1ADK	1560-235-7523	2276203	31-54	1		
1ADK		2276216-2	145-	1		
1ADK		2276216-4	146-	1		
1ADK		2276217	191-31	4		
1ADK		2276217-1	191-	4		
1ADK		2276222	110-98	2		
				111-47		
1ADK		2276290	111-	1		
1ADK		2276290-2	111-26	1		
1ADK		2276290-4	111-27	1		
1ADK	2276302	191-46	2			
1ADK	2276333	21-77	2			
			22-64			
1ADK	1560-190-1614	2276334	21-68	2		
				22-55		
1ADK		2276344	148-51	2		
1ADK		2276375	193-4	AR		
1ADK		2276402	21-70	4		
				22-57		
1ADK		2276403	21-71	2		
				22-58		
1ADK		1560-124-1240	2276477	148-	2	
1ADK			2276596	65-51	4	
1ADK			2276597	65-53	3	
1ADK			2276748	48-27	1	
1ADK	2276761		107-117	1		
1ADK	2276826		182-11	1		
1ADK	2276852		182-31	6		
1ADK	2276867		107-4	2		
1ADK	1560-124-1251		74-2	1		
1ADK	1560-124-1250		74-	1		
1ADK	1560-124-1252		2276958	74-14	2	
1ADK	2276958-1		74-	1		
1ADK	2276960		74-14	2		
1ADK	2276998		27-6	3		
1ADK	2276999	27-9	3			
1ADK	2277001	87-24	1			
1ADK	2277039	74-10	1			
1ADK	1560-189-0158	2277055	74-	1		
1ADK	1560-121-6356	2277056	74-5	1		
1ADK	2277057	74-12	2			
1ADK	2277076	65-5	3			
1ADK	2277076-1	65-	4			
1ADK	2277079	111-29	1			
1ADK	2277092	65-6	3			
1ADK	2277092-1	65-	4			
1ADK	2277093	63-17	7			
			63-47			
1ADK	2277105	151-6	4			
1ADK	2277109	23-50	1			
1ADK	2277110	23-49	1			
1ADK	2277121	107-108	1			
1ADK	2277151	65-10	2			
1ADK	2277207	65-23	1			
1ADK	1560-216-0533	2277224	39-1	1		
1ADK	2277224-1	39-	1			
1ADK	2277291	65-25	2			
1ADK	2277326	65-39	5			
			65-47			
1ADK	1560-217-4404	2277371	6-19	1		
1ADK	2277386	74-32	2			
1ADK	1560-124-0664	2277430	146-42	1		
1ADK	1560-124-0663	2277431	146-	1		
1ADK	2277431-2	146-43	1			
1ADK	1560-190-2032	2277433	146-45	1		

STOCK NUMBER			FIGURE AND INDEX NUMBER	QTY PER ARTICAL	SOURCE CODE
CLASS CODE	FIN OR SERIAL NUMBER	PART NUMBER			
1ADK		2277451	74-24	2	
1ADK	1560-190-2033	2277456	146-41	1	
1ADK	1560-396-9794	2277487	65-62	4	
		2277497-502			M2
		2277497-504			M
1ADK	1560-237-2695	2277497-506	159-21	4	M

STOCK NUMBER			FIGURE and INDEX NUMBER	QTY PER ART- ICAL	SOURCE CODE
CLASS CODE	FIN or SERIAL NUMBER	PART NUMBER			
1ADK	1560-190-2035	2277508	153-30 154-9	4	
1ADK	1560-190-2036	2277509	151-17	2	
1ADK		2277547	65-32	1	
1ADK		2277592	110-86	1	
1ADK		2277699	193-6	AR	
1ADK		2277767	2-13	2	
1ADK		2277768	2-16	2	
1ADK		2277769	2-14	2	
1ADK		2277774	65-11	1	
1ADK	1560-123-7173	2277784	58-57	1	
1ADK		2277787	145-60	1	
1ADK		2277819	2-17	2	
1ADK		2277820	2-15	2	
1ADK	1560-123-7172	2277826	146-31	1	
1ADK		2277848	13-39	1	
1ADK		2277881	35-37	2	
1ADK		2277882	35-36	2	
1ADK		2277914	146-40	1	
1ADK		2277915	146-47	1	
1ADK		2277928	35-5	1	
1ADK		2277928-1	35-6	1	
1ADK		2277929	35-9	1	
1ADK		2277929-1	35-10	1	
1ADK		2277930	35-	4	
1ADK	1560-183-5914	2277992	35-33	2	
1ADK		2277993	35-32	2	
1ADK		2277995	35-35	2	
1ADK	1560-217-4406	2278024	191-5	6	
1ADK		2278041	25-18	2	
1ADK		2278047	107-29		
1ADK		2278076	43-21	1	
1ADK	1560-235-7524	2278076-1	191-6	6	
1ADK		2278116	191-	6	
1ADK		2278133	63-42	1	
1ADK		2278194	63-12	1	
1ADK		2278195	182-	6	
1ADK	1560-035-0136	2278232	182-	6	
1ADK	1560-210-7910	2278232-1	124-11	1	
1ADK		2278312	124-13	1	
1ADK		2278359	117-32	1	
1ADK		2278448	31-53	1	
1ADK		2278448	48-72	1	
1ADK		2278449	48-74	2	
1ADK		2278530	35-34	2	
1ADK	1560-183-5920	2278539	13-120	1	
1ADK	1560-216-0535	2278548	51-	2	
1ADK		2278721	54-42		
1ADK		2278722	110-92	1	
1ADK		2278805	110-90	1	
1ADK		2278884	143-8	20	
1ADK		2278887	35-59A	2	
1ADK		2279015	35-	4	
1ADK	1560-123-5633	2279149	35-	4	
1ADK		2279245	74-20	4	
1ADK		2279266	8-114	1	
1ADK		2279518-500	158-4	2	
1ADK		2279518-502	8-129	1	
1ADK		2279518-504	8-92	2	
1ADK	1560-217-4408	2279652	9-64	1	
1ADK		2279655	23-8	1	
1ADK		2279656	191-25	2	
1ADK		2280146	191-24	4	
1ADK		2280598	191-8	8	
1ADK		2280599	94-48	1	
1ADK		2280858	98-10	1	
1ADK	1560-125-7534	2283943	135-8	1	
1ADK		2284598	148-	2	
1ADK		2284599	83-52	1	
1ADK		2284599-1	84-57		
1ADK		2284650	85-67		
1ADK			83-54	1	
1ADK			84-59		
1ADK			85-69		
1ADK			83-41	1	
1ADK			84-45		
1ADK			85-55		
1ADK			83-42	4	
1ADK			83-55		

Section III
Numerical Index

T.O. 1B-26B-4

STOCK NUMBER			FIGURE and INDEX NUMBER	QTY PER ART- ICAL	SOURCE CODE
CLASS CODE	FIIN or SERIAL NUMBER	PART NUMBER			
			84-46		
			84-60		
			85-56		
			85-70		
IADK		2284655	83-43	1	
			84-48		
IADK		2285287	85-58	2	
			83-45		
			83-57		
			84-50		
			84-52		
			85-60		
			85-72		
IADK		2287531	35-	4	
4013		23E50-505	148-1	2	
3360	070099010	24-1164	117-15	3	
			120-49		
			121-39		
3360	070099020	24-1164-2	117-33	6	
			118-51		
3380		240-0300-1	169-21	1	
		2404-325	108-22	2	
			108-43		
8800		2510	131-23	1	
4221		2542	115-49	1	
4221		2545-1	115-	1	
4221		2545-2	115-	1	
4221		2545-3	115-	1	
4221		2545-4	115-	1	
IADB	1560-123-5637	266809	181-3	8	
4851		26728	92-9	1	
4851		26813	94-110	1	
6700	872315	29	191-	4	
3360	295548565	29-761	116-45	3	
			131-16		
4806		29072	14-23	1	
		3API-906P1	58-36	1	
3330		3DKB1250	131-4	2	
6600		3G2-2	28-17	4	
			182-4		
3350		3064	119-26	1	
		30816	34-42	16	
			185-23		
			191-9		
4824		31A108	34-27	1	
4824		31A109	34-26	1	
4824		31A110	34-23	1	
4824		31A112	34-25	1	
4824		31A113	34-24	1	
4824		31A161	34-28	1	
4824		31B106	34-21	1	
4824		31B140	34-22	1	
4824		31G100	34-	5	
			183-26		
			184-18		
			185-9		
			191-10		
4806		31023	94-119	1	
6500		3115-1GT4	10-63	2	
			11-35		
IADK	1560-476-0727	3125455	13-17	1	
IADK	1560-210-7914	3126961	38-	1	
IADK		3126961-2	38-75	1	
IADK	1560-237-2697	3126962	38-	1	
IADK	1560-193-4350	3126962-1	38-	1	
IADK		3126962-2	38-18	2	
IADK	1560-197-5028	3126972	143-61	2	
IADK		3157873	200-	1	
IADK		3157873-6	200-22	1	
8870		319A	115-	59	
			120-		
			121-		
		3194719	198-61	1	
		3195628	188-9	2	
			200-43		
4846		32B34-001	95-87	1	
4846		32B34-001-1	95-55	1	
6500		32E21	70-17	25	
6500		32E6E	70-19	25	

STOCK NUMBER			FIGURE and INDEX NUMBER	QTY PER ART- ICAL	SOURCE CODE	
CLASS CODE	FIIN or SERIAL NUMBER	PART NUMBER				
4824		32R300	183-31	2		
1ADK	1560-109-6393	3201434	184-15	1		
1ADK		3201482	90-87	1		
1ADK		3203258	90-24	1		
1ADK		3205268	198-1	1		
1ADK		3205298	111-	1		
1ADK		3205403	52-2	1		
1ADK		3205439	112-1	2		
				110-2	1	
				111-20		
				112-		
1ADK			3205515	110-25	1	
1ADK			3205561	195-100	1	
1ADK			3205561-1	195-	1	
1ADK			3205563	195-98	1	
1ADK		3205565	110-49	1		
1ADK		3205569	49-26	1		
1ADK		3205571	104-65	2		
			110-41			
1ADK		3205904	107-82	1		
1ADK		3206017	11-	1		
			12-			
1ADK		3206017-1	11-	1		
			12-			
1ADK		3206120	111-32	1		
1ADK		3206207	116-	1		
			3206207-2			
1ADK	1560-124-3505	3206265	116-96	1		
			52-35	1		
			110-	1		
1ADK	1560-124-3013	3206370	110-95	1		
1ADK		3206506	195-97	2		
1ADK	1560-250-9024	3206538	13-67	1		
1ADK		3206556	111-17	1		
1ADK		3206787	122-	1		
1ADK		3206815	122-42	1		
1ADK		3206816	111-37	1		
1ADK	1560-396-9801	3206829	187-58	1		
1ADK		3206874	111-18	1		
1ADK		3206890	107-71	1		
1ADK		3206943	187-68	1		
1ADK		3206951	52-24	1		
1ADK		3207110	107-42	1		
1ADK	1560-199-9752	3207198	110-88	1		
1ADK		3207332	107-13	1		
1ADK		3207353	107-37	1		
1ADK		3207646	108-1	1		
1ADK		3207684	107-6	1		
1ADK		3207744	108-			
			200-	1		
1ADK		3207798	115-	1		
1ADK	1560-196-5468	3207804	62-	2		
1ADK		3207968	63-			
			62-54	2		
			63-61			
1ADK	1560-124-3504	3207977	64-3	1		
1ADK	1560-124-3503	3207981	64-26	1		
1ADK		3207981-500	65-9	1		
1ADK	1560-196-5469	3208035	64-42	1		
1ADK		3208051	64-30	1		
			65-19			
1ADK		3208167	61-31	1		
1ADK	1560-196-5456	3208184	61-40	1		
1ADK		3208233	64-21	1		
1ADK	1560-125-6031	3208268	89-53	1		
1ADK	1560-197-9399	3208268-1	89-	1		
1ADK		3208304	116-	1		
1ADK	1560-196-5589	3208349	61-	1		
1ADK		3208349-2	61-33	1		
1ADK		3208349-4	61-34	1		
1ADK		3208349-6	61-29	1		
1ADK	1560-124-3502	3208532	10-42	1		
1ADK		3208704	62-33	1		
1ADK		3208705	62-34	1		
1ADK		3208706	62-6	1		
1ADK	1560-396-9802	3208706-1	62-32	1		
1ADK		3208707	62-7	1		
1ADK		3208708	62-8	1		
1ADK	1560-124-2086	3209313	64-	4		

Section III
Numerical Index

T.O. 1B-26B-4

STOCK NUMBER			FIGURE and INDEX NUMBER	QTY PER ART- ICAL	SOURCE CODE
CLASS CODE	FIIN or SERIAL NUMBER	PART NUMBER			
1ADK	1560-197-9400	3209337	31-2	2	
1ADK		3209439	103-	2	
1ADK	1560-124-2095	3209543	110-	1	
1ADK		3209550	173-	1	
1ADK		3209736	29-	1	
1ADK		3209751	191-51	4	
1ADK		3209751-2	124-	1	
1ADK		3209772	124-3	1	
1ADK		3209772-1	191-42	1	
1ADK		3209798	191-	1	
5034		3219-38	180-	2	
4517		32420A	38-	1	
6700		325-6	16-31	1	
1ADK		3275079	127-	6	
1ADK		3275156	27-22	2	
1ADK		3275180	191-39	1	
1ADK		3275180-1	18-1	1	
1ADK	3275603	18-	1		
1ADK	3275603-1	191-56	1		
1ADK	3275604	191-	1		
1ADK	3275604-1	191-55	1		
1ADK	3275605	191-	1		
1ADK	3275605-1	191-54	1		
1ADK	3275626	191-	1		
1ADK	3275626-1	17-	1		
1ADK	3275689	17-	1		
1ADK	3275689-1	17-62	1		
1ADK	3275743	17-	1		
1ADK	3275743-1	17-	1		
1ADK	3275859	172-16	1		
1ADK	3275864	17-76	1		
1ADK	3276002	191-57	1		
1ADK	3276002-1	191-	1		
1ADK	3276009	17-63	1		
1ADK	3276048	18-7	1		
1ADK	3276337	158-	2		
1ADK	3276498	107-140	1		
1ADK	3276516	193-	1		
1ADK	3276516-1	193-	1		
1ADK	3276516-2	193-8	1		
1ADK	3276516-3	193-	1		
1ADK	3276629	193-	1		
1ADK	3276629-1	193-	1		
1ADK	3276629-2	193-9	1		
1ADK	3276629-3	193-	1		
1ADK	3276732	107-113	1		
1ADK	3276732-2	108-	1		
1ADK	3276732-4	108-40	1		
1ADK	3276862	108-45	1		
1ADK	3277036	107-115	1		
1ADK	1560-192-3526	3277074	73-	1	
1ADK		3277132	74-19	4	
1ADK		3277228	65-1	1	
1ADK		3277277	65-	1	
1ADK		3277277-2	107-	1	
1ADK		3277322	65-	1	
1ADK		3277323	65-34	1	
1ADK		3277437	63-35	1	
1ADK		3277437-6	63-5	1	
1ADK		3277437-8	74-	1	
1ADK	3277438	74-22	1		
1ADK	1560-386-5948	3277577	74-23	1	
1ADK		3277578	73-	1	
1ADK		3277579	74-	1	
1ADK		3277580	63-10	1	
1ADK		3277580-1	63-33	1	
1ADK		3277581	63-3	1	
1ADK		3277582	63-2	1	
1ADK		3277583	63-32	1	
1ADK		3277583-1	63-11	1	
1ADK		3277584	63-41	1	
1ADK		3277601	63-9	1	
1ADK		3277849	63-39	1	
1ADK		3278104	63-40	1	
1ADK		3278123	142-27	1	
1ADK		3292354	180-	2	
1ADK	1560-124-6058	3278104	63-34	1	
1ADK		3278123	63-4	1	
1ADK		3292354	193-	1	

STOCK NUMBER			FIGURE and INDEX NUMBER	QTY PER ART- ICAL	SOURCE CODE
CLASS CODE	FIN or SERIAL NUMBER	PART NUMBER			
1ADK		3292354-1	193-	1	
3350		33-010-280	123-59	1	
3350		33-010-281	123-58	3	
3350		33-210-053	123-57	2	
6400	390600	33A6182	178-22	24	
			178-37		
6400	390900	33A6182-1	178-	24	
6400	769700	33A6186	178-24	24	
			178-38		
6400	770000	33A6186-1	178-	24	
3400	424018	33A6241	161-30	8	
			161-42		
			162-22		
			162-34		
4502		33B4741	43-54	1	
1998		33B6001	82-50	AR	
			82-63		
6400	694500	33D5226	178-53	16	
6700		331	68-32	2	
6500	987600	34A1766-2	58-	4	
6500	987200	34A1766D2	58-	4	
4502		34G1646	50-4	1	
3900		340500	143-11	2	
		36H5311	197-5	2	
4530		3690	106-15	3	
			111-1		
			111-13		
4530		3693	104-52	1	
4804		37A3528	156-37	2	
5200	466903	37B2675	181-22	8	
			191-		
			192-30		
5200	4669033	37B2675-1	181-	8	
			191-		
			192-29		
4804		37D6210	156-18	4	
6500	503500	38A6135	57-38	1	
6500	449000	38A6136	57-37	1	
3110	144-8858	38KDD	155-29	36	
			155-46		
3360		39A2512	117-3	3	
5200	467350	39B3905L	181-23	2	
5200	467360	39B3905R	181-	2	
1ADK		39D3922	43-73	1	
6600	459681-87	390-16D15-1/2	160-5	2	
8870		4A6	129-22	4	
			129-34		
		4G212A-U	175-	1	
		4G59A-U	175-29	1	
4013		4G8G49M	160-11	2	
1ADK		48C24023	128-7	1	
4202		40A7419-1	120-9	54	
			121-9		
4502		40B1718	10-39	3	
			10-51		
			101-6		
1ADK		40B374-6NS	14-75	2	
6400	374450	40D6321	59-8	1	
4202		40D8445-1	115-33	1	
4202		40D8445-2	115-	1	
4517		40G6283	43-82	1	
6500	628115	401-2A	76-19	1	
4130		401332	91-5	2	
4130		401332-0-1	91-	2	
4808		401481	92-58	1	
4808		402246	94-151	1	
4808		403714	92-20	1	
4808		405000	97-42	1	
4130		405146	91-	1	
1ADE		4055640-1	82-57	1	
1AFB		41-1150	56-19	2	
			138-9		
4517	922315	41A4178	16-25	1	
5509		41A5317	141-4	1	
6400	695165	41E4555	200-39	2	
1ADE		4113754-024	147-15	2	
1ADE		4121067	115-65	1	
1ADK		4123127	50-	2	
			128-18		
1ADK		4123127-2	50-16	1	
1ADK	1560-396-9808	4123182	18-	1	

Section III
Numerical Index

T.O. 1B-26B-4

STOCK NUMBER			FIGURE and INDEX NUMBER	QTY PER ART- ICAL	SOURCE CODE
CLASS CODE	FIIN or SERIAL NUMBER	PART NUMBER			
1ADK	1560-025-4424	4123182-1	18-	1	
1ADK		4123182-2	18-49	1	
1ADK		4123182-3	18-	1	
1ADK		4123607	155-28	2	
1ADK	1560-474-0955	4123608	157-1	2	
1ADK		4123609	155-45	16	
1ADK		4123610	151-11	2	
1ADK	1560-396-9809	4123619	77-25	1	
1ADK	1560-217-4411	4123627	81-4	1	
1ADK		4123628	81-74	1	
1ADK		4123629	81-77	1	
1ADK	1560-396-9811	4123630	81-72	1	
1ADK		4123635	32-29	1	
1ADK	1560-180-7748	4123637	151-10	2	
1ADK		4123639	155-14	16	
1ADK		4123640	155-	2	
1ADK		4123641-6	155-36	12	
1ADK		4123641-7	155-	12	
1ADK		4123641-8	155-37	4	
1ADK		4123641-9	155-	4	
1ADK	1560-166-8852	4123657	155-	16	
1ADK	1560-166-8853	4123658	155-	16	
1ADK		4123659	155-56	16	
1ADK		4123660	155-22	2	
1ADK		4123665	155-17	18	
1ADK	1560-198-7326	4123683	155-44	1	
1ADK	1560-234-3585	4123684	38-85	1	
1ADK		4123685	38-25	1	
1ADK		4123690	145-56	1	
1ADK		4123691	36-15	1	
1ADK			36-9	2	
1ADK			36-45	1	
4832	1P349P	4123695	13-	2	
1ADK		4123697	160-2	1	
1ADK		4123700	32-62	1	
1ADK		4123700-1	32-	1	
1ADK		4123701	36-32	2	
1ADK		4123708	151-14	4	
1ADK		4123708-1	151-	4	
1ADK	1560-193-1620	4123709	151-13	4	
1ADK	1560-193-1621	4123709-1	151-	4	
1ADK		4123715	36-33	2	
1ADK	1560-122-7687	4123724	32-	1	
1ADK		4123738	13-	1	
1ADK		4123739	13-19	1	
1ADK		4123746	78-6	1	
1ADK		4123749	11-3	1	
1ADK			12-	1	
1ADK		4123749-1	11-	1	
1ADK			12-	1	
1ADK		4123750	100-	1	
1ADK		4123751	115-18	1	
1ADK		4123757	80-11	1	
1ADK	1560-216-0545	4123758	80-1	1	
1ADK		4123763	78-	1	
1ADK		4123776	80-43	1	
1ADK	1560-216-0546	4123791	18-14	1	
1ADK	1560-108-7294	4123795	80-49	1	
1ADK	1560-193-1622	4123797	2-26	2	
1ADK		4127413	12-	1	
1ADK		4127413-1	12-	1	
1ADK		4127422	18-	1	
1ADK		4127422-1	18-	1	
1ADK		4127423	18-45	2	
1ADK		4127429	14-63	1	
1ADK	1560-216-0547	4127430	89-23	1	
1ADK		4127433	89-	1	
4808	401481	4127438	92-	1	
1ADK		4127454	17-	1	
1ADK		4127455	12-	1	
1ADK		4127455-1	12-	1	
1ADK		4127461	8-	2	
1ADK		4127461-2	8-69	1	
1ADK		4127476	8-	2	
1ADK		4127476-1	8-	2	
1ADK		4127476-2	8-52	1	
1ADK		4127476-3	8-	1	
1ADK		4127478	8-	2	
1ADK		4127478-1	8-	2	
1ADK		4127478-2	8-64	1	
1ADK		4127478-3	8-	1	
1ADK		4127480	8-34	2	

STOCK NUMBER			FIGURE and INDEX NUMBER	QTY PER ART- ICAL	SOURCE CODE
CLASS CODE	FIN or SERIAL NUMBER	PART NUMBER			
IADK	1560-236-6545	4127480-1	8-	2	
IADK	1560-236-6544	4127482	8-	1	
IADK	1560-236-6545	4127482-1	8-	1	
IADK		4127482-2	8-32	1	
IADK		4127482-3	8-	1	
IADK		4127490	13-58	4	
IADK		4127502	30-	1	
IADK		4127502-1	30-	1	
IADK		4127510-10	11-10	1	
IADK		4127510-11	11-	1	
IADK		4127510-12	11-28	1	
IADK		4127510-13	11-	1	
IADK		4127510-18	11-9	1	
IADK		4127510-2	156-14	2	
IADK		4127510-20	11-	1	
IADK		4127510-22	100-31	2	
IADK		4127510-26	102-7	1	
IADK		4127510-28	11-	1	
IADK		4127510-4	156-7	2	
IADK		4127510-6	11-26	1	
IADK		4127510-8	11-11	1	
IADK		4127526	7-44	1	
IADK	1560-474-0956	4127526-1	7-	1	
IADK		4127530	7-56	1	
IADK		4127530-1	7-	1	
IADK		4127536	32-13	1	
IADK		4127536-1	32-	1	
IADK		4127537	32-14	1	
IADK		4127537-1	32-	1	
IADK	1560-193-1623	4127538	13-57	2	
IADK		4127542	197-45	1	
IADK		4127547	71-19	2	
IADK		4127547-1	71-	2	
IADK		4127548	14-	1	
IADK	1560-192-5712	4127549	152-3	5	
			152-9		
			152-15		
IADK	1560-192-5711	4127549-1	152-	3	
IADK	1560-191-8157	4127562	8-	1	
IADK		4127562-2	8-112	1	
IADK	1560-191-8158	4127563	9-60	1	
IADK	1560-191-8156	4127568-2	88-	1	
IADK	1560-191-8155	4127568-4	18-28	1	
IADK	1560-191-8153	4127569-2	88-	1	
IADK	1560-191-8193	4127570	8-	1	
IADK	1560-191-8192	4127570-1	8-	1	
IADK		4127570-2	8-107	1	
IADK		4127570-3	8-	1	
IADK	1560-191-8191	4127572	8-	1	
IADK		4127572-2	8-96	1	
IADK	1560-191-8189	4127576	9-35	1	
IADK	1560-191-8190	4127576-1	9-	1	
IADK	1560-191-8188	4127583-6	9-39	1	
IADK	1560-191-8187	4127583-7	9-	1	
IADK		4127592	187-45	1	
IADK		4127593	187-46	1	
IADK		4127595-2	12-	1	
IADK		4127595-3	12-	1	
IADK		4127595-4	100-11	1	
IADK		4128102	8-	2	
IADK		4128102-2	8-23	1	
IADK		4128106	9-19	1	
IADK		4128106-1	9-	1	
IADK	1560-196-5663	4128108	9-	1	
IADK	1560-474-0959	4128108-1	9-22	1	
IADK		4128120	19-56	1	
IADK		4128121	20-40	2	
			22-62		
IADK		4128122	19-59	2	
			21-75		
IADK		4128123	20-34	1	
IADK		4128124	19-52	2	
			21-65		
IADK		4128124-1	22-52	2	
IADK		4128137	100-16	1	
IADK	1560-196-5661	4128179	143-37	1	
IADK	1560-196-5660	4128179-1	143-	1	
IADK		4128193	11-1	1	
IADK		4128197	73-	1	

Section III
Numerical Index

T.O. 1B-26B-4

STOCK NUMBER			FIGURE and INDEX NUMBER	QTY PER ARTI- CAL	SOURCE CODE
CLASS CODE	FIN or SERIAL NUMBER	PART NUMBER			
1ADK		4128197-2	73-39	1	
1ADK	1560-196-5659	4128202	144-8	2	
1ADK		4128209	23-1	1	
1ADK		4128221	197-28	2	
1ADK	1560-196-5668	4128223	41-4	1	
1ADK		4128231	145-	1	
1ADK		4128262	90-	1	
1ADK		4128263	17-1	1	
1ADK		4128271	5-	1	
1ADK		4128273	87-104	1	
1ADK	1560-199-6266	4128284	9-13	1	
1ADK	1560-216-0549	4128284-1	9-	1	
		4128298	20-79	2	
			22-91		
1ADK		4129413	38-79	1	
6340	6340-210-7916	4129419	30-	1	
1ADK		4129419-1	30-	1	
1ADK	1560-216-0550	4129421	30-12	1	
1ADK	1560-216-0551	4129421-1	30-	1	
1ADK		4129432	106-40	1	
1ADK		4129436	8-131	1	
1ADK		4129445	104-31	1	
1ADK		4129448	48-21	1	
1ADK		4129449	48-	1	
1ADK		4129450	101-16	1	
1ADK	1560-196-5656	4129451	101-29	1	
1ADK	1560-124-3781	4129452	101-38	2	
		4129453	28A-32	1	
1ADK		4129484-2	48-2	1	
1ADK		4129484-4	48-3	1	
1ADK		4129492	48-5	1	
1ADK		4129493	78-53	1	
1ADK		4129494	78-59	1	
1ADK		4129508	148-30	2	
1ADK		4129510	48-	1	
1ADK		4129510-2	48-51	1	
1ADK		4129512	48-	1	
1ADK		4129512-2	48-53	1	
1ADK		4129516	200-16	2	
1ADK	1560-182-6641	4129518	40-16	1	
1ADK		4129519	99-4	1	
1ADK		4129528	14-59	1	
1ADK		4129528-1	14-	1	
1ADK		4129532	48-	1	
1ADK		4129532-2	48-77	1	
1ADK	1560-182-6638	4129545-10	94-126	1	
1ADK	1560-182-6637	4129545-2	86-	1	
1ADK	1560-182-6636	4129545-4	86-	1	
1ADK	1560-182-6635	4129545-6	86-	1	
1ADK	1560-182-6634	4129545-8	86-	1	
1ADK		4129549	48-62	1	
1ADK		4129556	147-13	2	
1ADK		4129561	147-5	1	
1ADK		4129566	48-	1	
1ADK		4129566-2	48-37	1	
1ADK		4129569	9-27	1	
1ADK	1560-182-6632	4129569-1	9-	1	
1ADK	1560-182-6631	4129570-2	86-	1	
4226	7058-24	4129572	158-6	2	
1ADK		4129574	5-28	1	
1ADK		4129574-1	5-	1	
1ADK	1560-182-6630	4129579-2	82-	1	
1ADK		4129584	89-64	1	
1ADK		4129589	147-1	1	
1ADK		4129593	147-	1	
4831		4130-3-4	12-42	1	
1ADC		4139780	173-15	1	
1ADK		4142651	5-	1	
1ADK		4142651-1	5-	1	
1ADK		4142917	28-23	4	
1ADK		4142918	28-7	1	
1ADK		4142918-1	28-	1	
1ADK		4142919	28-8	1	
1ADK		4142919-1	28-	1	
1ADK		4143046	33-9	1	
1ADK	1560-109-4851	4143065	32-45	1	
1ADK	1560-109-4852	4143065-1	32-	1	
1ADK	1560-144-6406	4143110	43-	1	
1ADK		4143110-2	43-74	1	

STOCK NUMBER			FIGURE and INDEX NUMBER	QTY PER ART- ICAL	SOURCE CODE
CLASS CODE	FIN or SERIAL NUMBER	PART NUMBER			
1ADK		4143110-4	43-75	1	
1ADK		4143192	161- 162-	4	
1ADK		4143192-4	161-39 162-31	4	
1ADK	1560-121-8510	4143217	29-38	2	
1ADK		4143313	42-8	1	
1ADC		4143313-1	42-	1	
1ADK	1560-182-4968	4143314	42-6	1	
1ADK	1560-182-4967	4143314-1	42-	1	
1ADK		4143358	192-39	1	
1ADK		4143358-1	192-	4	
1ADK		4143359	192-38	1	
1ADK		4143359-1	192-	2	
1ADK		4143406	194-25	2	
1ADK		4143411	194-37	2	
1ADK		4143412	194-38 195-102	3	
1ADK		4143412-1	194- 195-	3	
1ADK		4143416	194-30	1	
1ADK		4143463	42-7	1	
1ADK	1560-180-9304	4143463-1	42-	1	
1ADK		4143466	28-22	1	
1ADK	1560-307-9084	4143517	123-17	1	
1ADK	1560-245-6342	4143531	115-51	1	
1ADK		4143543	92-	1	
1ADK		4143552	92-77 93-	1	
1ADK		4143646	181-29	4	
1ADK		4143671	92-79		
1ADK		4143694	42-34 195-88	4	
1ADK		4143709	42-32 195-86	2	
1ADK		4143709-1	42- 195-	2	
1ADK		4143727	42-38 195-92	3	
1ADK	1560-144-6413	4143735	69-33	1	
1ADK		4143753	92-	1	
1ADK		4143798	117-43	1	
1ADK		4143813	181- 189-	2	
1ADK		4143813-1	181- 189-	2	
1ADK	1560-182-5078	4143830	69-5	1	
1ADK		4143831	69-6	1	
1ADK		4143877	181-	4	
1ADK		4143877-1	181-	4	
1ADK		4143883	57-70	1	
1ADK		4143908	181-36	2	
1ADK		4143908-1	181-	2	
1ADK		4143916	69-8	1	
1ADK	1560-182-5111	4143917	69-7	1	
1ADK		4143922	195-75	1	
1ADK		4143952	192-22	1	
1ADK	1560-182-5110	4143958	43-	1	
1ADK		4143959	110-19	1	
1ADB		4145399-3	31-9 31-27d	2	
1ADK	1560-182-6450	4151107	71-	4	
1ADK		4151107-2	71-52	4	
1ADK		4151109	83-	1	
1ADK		4151109-2	83-79	1	
1ADK	1560-182-6449	4151128	71-45	2	
1ADK	1560-182-6448	4151129	71-44	2	
1ADK	1560-144-7042	4151131	79-26	1	
1ADK	1560-144-7043	4151132	83- 84-30	1	
1ADK		4151133	83- 84- 85-	3	
1ADK		4151133-2	83-38 84-42 85-52	3	
1ADK		4151134	83- 84- 85-	1	

Section III
Numerical Index

T.O. 1B-26B-4

STOCK NUMBER			FIGURE and INDEX NUMBER	QTY PER ART- ICAL	SOURCE CODE
CLASS CODE	FIIN or SERIAL NUMBER	PART NUMBER			
1ADK		4151134-2	83-49	1	
			84-54		
			85-64		
			83-66	1	
1ADK	1560-144-7046	4151135	83-67	1	
1ADK	1560-144-7048	4151136	83-	1	
1ADK	1560-144-7047	4151137	83-72	1	
1ADK		4151137-2	79-49	1	
1ADK		4151138	71-28	4	
1ADK		4151174	71-36		
			186-11	1	
1ADK	1560-121-1925	4151179	186-	1	
1ADK	1560-150-9011	4151179-1	143-	1	
1ADK	1560-144-7519	4151202	143-	1	
1ADK		4151202-1	143-66	1	
1ADK		4151202-2	143-	1	
1ADK		4151202-3	87-50	1	
1ADK		4151226	200-8	1	
1ADK		4151239	92-67	1	
1ADK		4151240	92-	1	
1ADK		4151243	94-154	1	
1ADK		4151251	94-162	1	
1ADK		4151285	57-40	1	
1ADK	1560-144-7525	4152448	98-37	1	
1ADK		4152500-1	98-32	1	
1ADK		4152500-2	98-28	1	
1ADK		4152500-3	98-26	1	
1ADK		4152500-4	98-30	1	
1ADK		4152500-5	98-24	1	
1ADK		4152500-6	91-10	1	
1ADK		4152501-10	48-32	1	
1ADK	1560-303-7273	4152501-12	91-16	1	
1ADK		4152501-3	91-11	1	
1ADK		4152501-4	91-14	1	
1ADK		4152501-6	91-8	1	
1ADK		4152501-7	91-15	1	
1ADK		4152501-9	91-56	1	
1ADK		4152503-11	91-61	1	
1ADK		4152503-12	91-50	1	
1ADK		4152503-13	91-54	1	
1ADK		4152503-6	91-58	1	
1ADK		4152503-7	91-57	1	
1ADK		4152503-8	14-	1	
1ADK		4152525-1	14-	1	
1ADK		4152525-2	14-	1	
1ADK		4152525-3	14-	1	
1ADK		4152525-7	14-	1	
1ADK		4152525-8	14-	1	
1ADK		4152525-9	14-	1	
1ADK		4152526-1	14-34	1	
1ADK		4152526-2	14-36	1	
1ADK		4152526-3	14-35	1	
1ADK		4152526-7	14-38	1	
1ADK	1560-303-7275	4152526-8	14-39	1	
1ADK		4152526-9	14-40	1	
1ADK	1560-304-8145	4152527-1	14-	1	
1ADK		4152527-2	14-	1	
1ADK		4152527-6	14-	1	
1ADK		4152527-7	14-	1	
1ADK		4152527-9	14-	1	
1ADK		4152528-1	14-17	1	
1ADK		4152528-10	14-10	1	
1ADK		4152528-11	14-28	1	
1ADK		4152528-2	14-2	1	
1ADK		4152528-6	14-19	1	
1ADK		4152528-8	14-6	1	
1ADK		4152528-9	14-21	1	
1ADK		4152529-2	14-	1	
1ADK		4152529-3	14-	1	
1ADK		4152529-7	14-	1	
1ADK	1560-098-7211	4152530-2	14-55	1	
1ADK	1560-098-7212	4152530-3	14-81	1	
1ADK	1560-040-5002	4152530-7	14-49	1	
1ADK		4152603	14-52	1	
1ADK		4152675	200-31	1	
1ADK		4152689-14	153-	4	
1ADK	1560-181-3262	4152689-15	153-	4	
1ADK	1560-181-3261	4152689-2	153-54	4	
1ADK	1560-181-3260	4152689-4	153-46	4	
1ADK	1560-144-7527	4152690	153-	2	

STOCK NUMBER			FIGURE and INDEX NUMBER	QTY PER ART- ICAL	SOURCE CODE
CLASS CODE	FIIN or SERIAL NUMBER	PART NUMBER			
1ADK		4154040-16	92-72	1	
1ADK		4154040-18	94-156	1	
1ADK		4154040-20	20-60	2	
			22-81		
1ADK		4154040-22	20-59	2	
			22-82		
1ADK		4154040-24	19-79	2	
			21-93		
1ADK		4154040-26	19-78	1	
1ADK		4154040-32	21-94	1	
1ADK		4154040-34	21-95	1	
1ADK		4154040-36	22-83	1	
1ADK		4154140	78-	1	
1ADK	1560-144-7054	4154193	57-	1	
1ADK		4154193-2	57-36	1	
1ADK	1560-120-2982	4155720	178-2	18	
1ADK		4155721	24-13	4	
			24-31		
		4155765	28A-44	1	
		4155765-1	28A-	1	
		4155766	28A-42	1	
		4155766-1	28A-	1	
1ADK		4155767	28A-43	1	
1ADK		4155767-1	28A-	1	
		4155768	28A-47	1	
		4155768-1	28A-	1	
		4155769	28A-48	1	
		4155769-1	28A-	1	
		4155770	28A-46	1	
		4155770-1	28A-	1	
		4155771	28A-45	1	
		4155771-1	28A-	1	
		4155772	28A-1	4	
			28A-10		
		4155773	28A-49	1	
1ADK		4155773-1	28A-	1	
1ADK		4155900	4-17	1	
1ADK		4155900-1	4-	1	
1ADK		4155901	4-18	1	
1ADK		4155901-1	4-	1	
1ADK		4155902	4-19	1	
1ADK		4155902-1	4-	1	
1ADK		4155903	4-20	1	
1ADK		4155903-1	4-	1	
1ADK		4155904	4-21	1	
1ADK		4155904-1	4-	1	
1ADK		4155905	4-22	1	
1ADK		4155905-1	4-	1	
1ADK		4155906	4-23	1	
1ADK		4155906-1	4-	1	
1ADK	1560-124-3468	4155968	197-	1	
1ADK		4155969	12-6	1	
1ADK		4155969-1	12-	1	
1ADK		4155970	200-4	1	
1ADK	1560-124-3467	4157828	83-122	1	
			84-139		
			85-140		
1ADK		4157831	83-69	1	
1ADK	1560-124-3466	4157836	83-129	1	
			84-136		
			85-134		
1ADK	1560-124-3462	4157839	83-65	1	
1ADK		4157877	4-5	1	
1ADK	1560-216-0554	4157877-1	4-	1	
1ADK	1560-099-1578	4157911	3-24	1	
1ADK		4157951	78-	1	
1ADK		4157955	78-50	1	
1ADK		4157956	78-47	1	
1ADK		65E30699-02	9-15	1	
1ADK		65E30699-01	9-	1	
1ADK	1560-232-3329	4157999	7-32	1	
1ADK	1560-234-2911	4157999-1	7-	1	
1ADK		4158800	7-27	1	
1ADK		4158800-1	7-	1	
1ADK	1560-124-3464	4158820	83-115	1	
			84-129		
			85-130		
1ADK	1560-181-3258	4158822-2	83-48	2	
1ADK		4158822-4	83-85	1	

Section III
Numerical Index

T.O. 1B-26B-4

STOCK NUMBER			FIGURE and INDEX NUMBER	QTY PER ART- ICAL	SOURCE CODE
CLASS CODE	FIIN or SERIAL NUMBER	PART NUMBER			
1ADK	1560-181-3256	4158822-6	83-36	1	
1ADK	1560-181-3255	4158822-8	83-68	1	
1ADK		4158829	117-	1	
1ADK		4158833	3-22	1	
1ADK	1560-125-6384	4158857	86-	1	
1ADK		4158857-2	86-1	1	
1ADK	1560-125-6255	4158858	86-	1	
1ADK		4158858-2	86-4	1	
1ADK	1560-124-3463	4158874	82-2	1	
			86-		
		4158899	28A-5	1	
		4158899-1	28A-	1	
1ADK	1560-124-3461	4159511	83-90	1	
			84-104		
			85-117		
1ADK		4159560	32-	1	
1ADK		4159561	32-	1	
1ADK		4172452	58-35	1	
1ADK		4172506	58-32	1	
1ADK		4172540	58-40	1	
1ADK		4172645	58-39	1	
1ADK		4173516	58-	1	
1ADK		4173533	58-	1	
		4190200	28A-4	1	
		4190200-1	28A-	1	
1ADK	1560-125-5988	4190201	78-78	1	
1ADK	1560-117-9638	4190206	88-33	1	
1ADB	1560-117-9639	4190207	88-34	1	
1ADB	1560-182-6524	4190209-10	83-117	4	
			84-128		
			85-41		
			85-129		
1ADB	1560-182-6523	4190209-18	83-131	8	
			84-138		
			85-27		
			85-139		
1ADB	1560-182-6554	4190209-20	83-32	4	
			84-16		
			85-16		
1ADB	1560-182-6553	4190209-4	83-31	2	
			84-22		
			84-123		
			85-22		
1ADK		4190209-6	83-111	2	
			84-122		
		4190213	28A-13	1	
		4190213-1	28A-	1	
1ADK		4190214	28A-14	1	
1ADK		4190214-1	28A-	1	
1ADK	1560-124-3576	4190218	101-	4	
1ADK		4190219-2	101-42	4	
1ADK		4190219-4	101-46	1	
1ADK		4190220	101-43	1	
1ADB	1560-182-6551	4190235	148-32	2	
1ADK	1560-216-0555	4190310	17-57	1	
1ADK		4190331	17-	1	
1ADK		4190333	88-14	1	
1ADB	1560-124-2503	4190339	7-51	1	
1ADK	1560-199-8269	4190369	104-3	8	
			110-65		
1ADB	1560-125-7599	4190392	89-69	1	
1ADB	1560-125-7598	4190392-1	89-	1	
1ADK		4191035	106-2	1	
1ADK		4191045	106-10	1	
1ADK		4191131-28	94-134	4	
1ADK		4191131-30	92-49	2	
1ADK		4191131-32	92-47	1	
1ADK		4191131-34	92-48	1	
1ADK		4191152	106-35	1	
1ADK		4191153	106-26	1	
1ADK		4191401	200-12	4	
1ADB	1560-182-6648	4191416	70-77	1	
1ADK		4191417	70-	1	
1ADK		4191418	70-29	1	
1ADK		4191441	3-16	1	
1ADK	1560-123-8922	4191471	101-56	1	
1ADK		4191501	79-11	1	

STOCK NUMBER			FIGURE and INDEX NUMBER	QTY PER ART- ICAL	SOURCE CODE
CLASS CODE	FIIN or SERIAL NUMBER	PART NUMBER			
1ADK	1560-182-6550	4191510	101-	2	
			101-44		
1ADK	1560-396-9814	4191510-2	101-50	1	
1ADK		4191510-4	101-49	1	
1ADK		4191510-6	101-51	2	
1ADK	1560-182-6549	4191518	82-10	1	
1ADK	1560-123-9049	4191523	83-101	1	
			84-		
1ADK		4191524	104-28	4	
			104-69		
			106-42		
			106-99		
1ADK	1560-124-6307	4191556	28A-2	2	
			28A-11		
1ADK	1560-124-6804	4191556-1	28A-	2	
1ADK	1560-124-7104	4191563	104-33	2	
			106-17		
1ADK	1560-109-5353	4191572	9-66	1	
1ADK	1560-109-5354	4191572-1	9-	1	
1ADK		4191587-10	24-12	1	
1ADK		4191587-12	24-37	1	
1ADK		4191587-14	24-35	1	
1ADK		4191587-16	24-34	1	
1ADK		4191587-18	24-27	1	
1ADK		4191587-2	24-17	1	
1ADK		4191587-20	24-28	1	
1ADK		4191587-22	24-36	1	
1ADK		4191587-24	24-30	1	
1ADK		4191587-4	24-9	1	
1ADK		4191587-6	24-10	1	
1ADK		4191587-8	24-18	1	
1ADK		4191588	3-32	4	
1ADK	1560-306-8211	4191590	106-20	1	
1ADK		4191593	9-65	1	
1ADK	1560-109-5356	4191593-1	9-	1	
1ADK	1560-109-5355	4192802	68-20	1	
1ADK		4192802-1	68-	1	
1ADK		4192809	106-24	1	
1ADK		4192814	92-69	1	
1ADK	1560-182-6546	4192829	67-34	1	
1ADK	1560-182-6545	4192836	198-47	1	
1ADK	1560-025-4425	4192843	33-20	12	
1ADK		4192848	13-24	1	
1ADK		4192849	13-25	1	
1ADK		4192850	33-28	2	
1ADK	1560-166-9175	4192860	13-	1	
1ADK	1560-182-6542	4192863	10-43	1	
1ADK		4192869	33-23	2	
1ADK	1560-109-4791	4192870	33-11	1	
1ADK	1560-109-4792	4192872	33-4	3	
1ADK		4192874	33-3	7	
1ADK	1560-109-4794	4192874-1	33-	7	
1ADK		4192888	81-	1	
1ADK		4192888-2	81-17	1	
1ADK		4192895	104-	1	
1ADK		4192896	104-20	4	
			106-27		
1ADK		4192897	104-26	3	
			106-36		
1ADB		4192899	70-69	1	
1ADK	1560-124-7105	4192918	83-84	1	
1ADK		4192919	186-1	1	
1ADK		4192934	105-16	1	
1ADK		4192935	105-11	1	
1ADK	1560-234-3586	4192936	68-49	2	
1ADK	1560-109-4066	4192939	105-	1	
1ADK		4192939-2	105-6	1	
1ADK		4192941	67-40	1	
1ADK		4192943	104-51	1	
1ADK		4192944	106-59	1	
1ADK	1560-124-7108	4192953	187-28	2	
			187-30		
1ADK	1560-124-7107	4192954	79-17	2	
1ADK	1560-308-3072	4192959	31-33	2	
			31-59		
1ADK	1560-117-9341	4192965	7-15	1	
1ADK		4192966	7-16	1	
1ADK		4192966-1	7-	1	
1ADK	1560-117-9342	4192967	7-14	1	

Section III
Numerical Index

T.O. 1B-26B-4

STOCK NUMBER			FIGURE and INDEX NUMBER	QTY PER ART- ICAL	SOURCE CODE
CLASS CODE	FIIN or SERIAL NUMBER	PART NUMBER			
IADK	1560-117-8824	4192968	7-19	1	
IADK	1560-117-8825	4192968-1	7-	1	
IADK		4192983-1	15-2	1	
IADK		4192983-10	15-21	1	
IADK		4192983-11	15-24	1	
IADK		4192983-2	15-4	1	
IADK		4192983-3	15-6	1	
IADK		4192983-4	15-13	1	
IADK		4192983-5	15-16	1	
IADK		4192983-6	15-12	1	
IADK		4192983-7	15-15	1	
IADK		4192983-8	15-22	1	
IADK		4192983-9	15-25	1	
IADK		4192984-1	15-	1	
IADK		4192984-10	15-	1	
IADK	1560-216-0556	4192984-2	15-	1	
IADK		4192984-3	15-	1	
IADK		4192984-4	15-	1	
IADK		4192984-5	15-	1	
IADK		4192984-6	15-	1	
IADK		4192984-7	15-	1	
IADK		4192984-8	15-	1	
IADK		4192984-9	15-	1	
IADK		4193402	104-	2	
IADK	1560-124-7110	4193416	108-		
IADK		4193421	105-	2	
IADK		4193421-1	106-57		
IADK		4193437	41-7	1	
			41-	1	
			92-75	1	
			93-		
IADK	1560-198-7600	4193447	187-57	1	
IADK	1560-395-9815	4193452	198-35	1	
IADK	1560-222-6990	4193453	198-37	1	
IADK		4193454	104-48	1	
IADK	1560-476-1104	4193461	198-75	1	
		4193462	198-63	1	
IADK	1560-124-7110	4193468	31-37	1	
		4193469	198-73	1	
		4193470	198-68	1	
IADK	1560-124-7712	4193478	101-5	1	
IADK		4193483-14	163-7	2	
IADK	1560-304-8147	4193483-24	163-2	2	
IADK		4193483-4	163-3	2	
IADK		4193483-6	163-5	2	
IADK		4193483-8	163-8	2	
IADK		4193485	198-25	1	
IADK		4193504-12	159-14	4	
IADK		4193504-14	159-4	2	
IADK	1560-304-8148	4193504-18	159-30	2	
		4193504-2	159-3	2	
		4193504-502	159-33	2	
		4193504-504	159-35	2	
		4193504-506	159-18	2	
IADK		4193504-508	159-26	2	
IADK		4193507	105-43	1	
		4193508	105-51	1	
		4193509	105-	1	
		4193510	105-25	1	
IADK		4193511	105-4	1	
IADK		4193526	83-112	1	
		4193527	104-55	1	
		4193529	104-56	1	
IADK		4193534	6-7a	2	
IADK		4193535	6-7b	2	
IADK		4193536	43-16a	1	
IADK	1560-109-4067	4193549	7-6	1	
IADK		4193553	117-	1	
IADK	1560-124-7013	4193583	41-34a	1	
IADK		4194673	8-95	1	
IADK	1560-109-4366	4194673-1	8-	1	
IADK		4194674	8-94	1	
IADK	1560-109-6753	4194674-1	8-	1	
IADK		4194691	106-5	1	
IADB	1560-250-9004	4194770	50-12	1	
		4195215	198-77	1	
IADK	1560-304-0484	4195206	19-	1	
IADK		4195206-2	19-12	1	
IADK	1560-046-4041	4195207	19-	2	

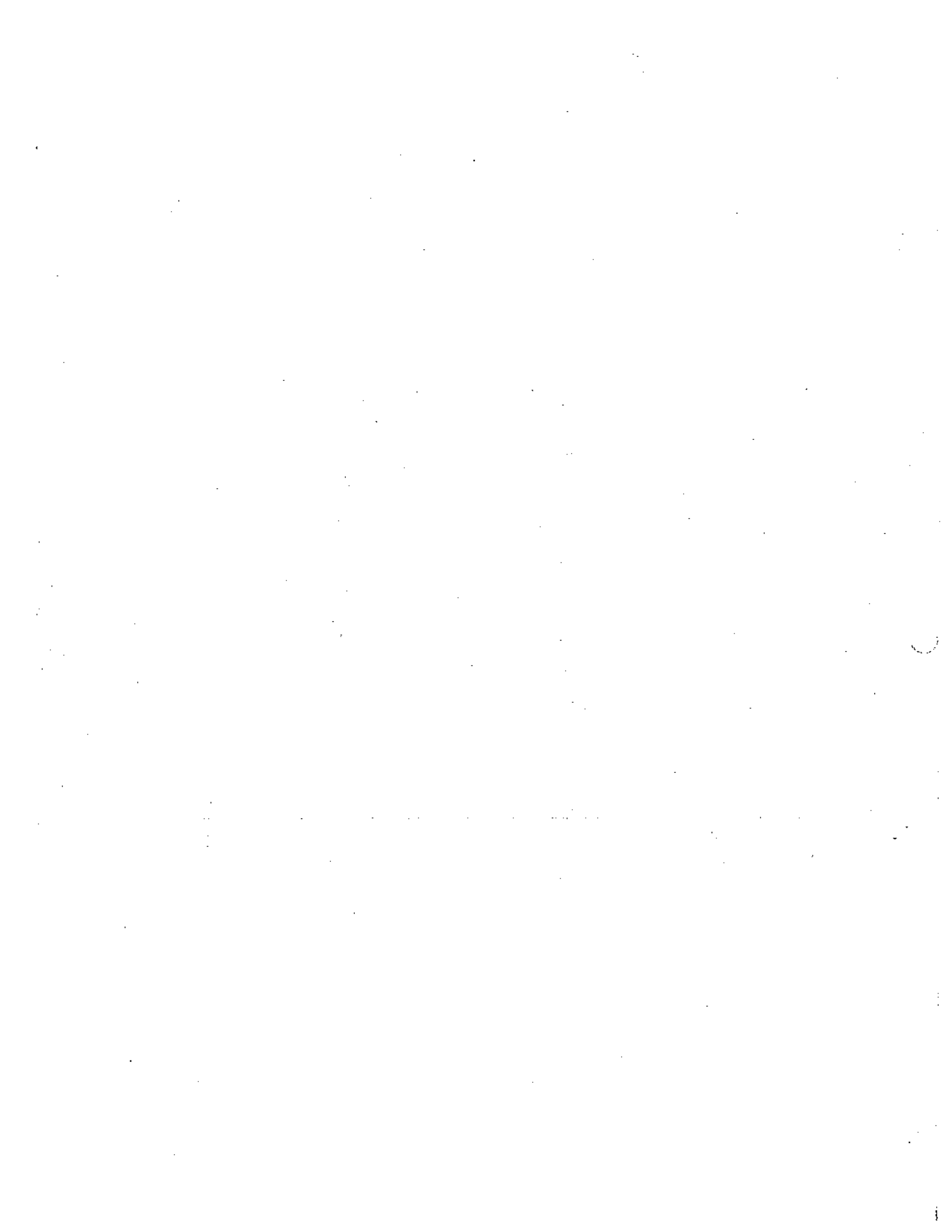
STOCK NUMBER			FIGURE and INDEX NUMBER	QTY PER ART- ICAL	SOURCE CODE
CLASS CODE	FIIN or SERIAL NUMBER	PART NUMBER			
1ADK		4195207-2	21- 19-6 21-26	2	
1ADK	1560-046-4042	4195208	19-	1	
1ADK		4195208-2	19-42	1	
1ADK		4195233	198-32	1	
USE	4298896	4195247	-	-	
1ADK		4195247-2	20-8 22-29	2	
1ADK	1560-124-7018	4195248	20-	2	
1ADK		4195249	22- 20-	2	
1ADK		4195249-2	22- 20-12 22-34	2	
1ADK		4195252-2	152-27	1	
1ADK		4195252-3	152-	1	
1ADK		4195252-4	152-28	1	
4868		4195258	14-	2	
1ADK	1560-396-9816	4195261	75-3	1	
1ADK	1560-396-9817	4195261-1	75-4	1	
1ADK	1560-035-0141	4195262	75-1	2	
		4195269	115-	1	
		4195291	75-	1	
		4195292	107-119	1	
		4195293	115-	1	
1ADK		4195311-2	76-22	2	
1ADK	1560-304-8150	4195311-4	76-23	1	
1ADK		4195311-6	76-25	1	
1ADK	1560-035-0142	4195321	115-	1	
		4195322	115-35	1	
1ADK		4195322-8	118-	1	
1ADK	1560-124-2468	4195323	118-1	1	
1ADK	1560-232-3351	4195328	26-5	1	
1ADK		4195337	76-2	1	
1ADK	1560-124-2461	4195343	117-62	1	
1ADK	1560-109-4569	4195344	41-25	1	
1ADK	1560-124-2462	4195363	117-51	1	
1ADB		4195649	123-37	1	
1ADB	1560-124-2463	4195650	50-11	1	
		4196916	43-57	5	
1ADK		4196969-2	50-9	4	
1ADK		4196969-4	33-26	12	
1ADK		4196969-6	155-3	4	
1ADK		4196970	155-4	2	
1ADK	1560-396-9818	4199866	155-5	2	
1ADK	1560-396-9819	4199865-1	155-7	1	
6003		42A11521	41-5	1	
5509		42A12374	41-	1	
6003		42A13995	125-16	2	
8400	640725	42A3524	141-7	1	
		42A6504	125-15	2	
4502		42B14502	75-20	2	
5200	567150		122-10	1	
7700	549498	42B3593-1	43-52	10	
7700	549445	42B3593-2	181-	3	
700	549485	42B3593-3	192-8	5	
7700		42B3593A1	58-43 120-50	3	
7700		42B3593A2	121-41	5	
7700		42B3593A3	120-13 121-11 121-40	5	
8850	528330	42B3748	58-44 120-40	2	
8850	268940	42B4738	121-36 122-45	1	
8850		42B6927	119-13 122-44 119-14 122-43 119-15	1	
			31-35	1	
			31-56	1	
			31-32	2	
			31-61		

Section III
Numerical Index

T. O. 1B-26B-4

STOCK NUMBER			FIGURE AND INDEX NUMBER	QTY PER ARTICAL	SOURCE CODE
CLASS CODE	FIN OR SERIAL NUMBER	PART NUMBER			
1600		42D4502	50-18	1	
1250		42D5116	122-66	1	
6545		42D7411	43-23	1	
7900	009770	42D8331	43-65	1	
4502		42G11967	180-3	1	
8220	625490	42G2343-5	200-3	2	
1250		42J11779	49-10	1	
1ADK		4201485	90-41	1	
1ADK		4201489	90-83	1	
1ADK		4201490	90-64	1	
1ADK		4201492	90-75	1	
1ADK		4201493	90-79	1	
1ADK	1560-125-6868	4201498	90-48	1	
1ADK		4201520	90-69	1	
1ADK		4202157	42-9	1	
1ADK		4202157-1	42-	1	
1ADK		4202175	194-11	1	
1ADK		4202188	192-42	2	
			195-71		
1ADK		4202194	195-35	1	
1ADK		4202194-1	195-	1	
1ADK		4202243	194-10	1	
1ADK	1560-121-9427	4202281	69-30	1	
1ADK		4202378	101-36	1	
1ADK		4202378-1	101-	1	
1ADK	1560-109-8355	4202517-10	195-20	1	
1ADK	1560-123-3435	4202517-12	195-21	1	
1ADK		4202517-14	195-22	1	
1ADK	1560-109-8357	4202517-2	195-12	1	
1ADK		4202517-30	195-23	1	
1ADK	1560-123-3437	4202517-32	195-15	1	
1ADK		4202517-4	195-13	1	
1ADK	1560-123-3434	4202517-6	195-14	1	
1ADK		4202517-8	195-24	1	
		4202518	195-73	1	
1ADK		4202583	195-27	1	
1ADK		4202587	195-	4	
1ADK		4202587-2	195-	4	
1ADK		4202588	195-54	4	
1ADK		4202589	195-57	4	
1ADK		4202731	2-	1	
1ADK		4202731-1	2-	1	
1ADK		4202757	117-	1	
1ADK		4202804	116-81	1	

STOCK NUMBER			FIGURE AND INDEX NUMBER	QTY PER ARTICAL	SOURCE CODE
CLASS CODE	FIN OR SERIAL NUMBER	PART NUMBER			
1ADK		4202804-2	116-84	1	
4868		4202815	14-	2	
1ADK		4202824	187-61	1	
4868		4202842	14-	1	
1ADK		4202902	38-5	1	
1ADK	1560-123-8358	4202903	38-	1	
1ADK	1560-035-0143	4202904	38-8	1	X2
		4202904-2			X1
1ADK		4202905	38-	1	A
1ADK		4202907	38-50	1	
1ADK		4202908	38-53	1	X2
		4202908-2			X1
1ADK		4202909	38-	1	A
1ADK		4202921	188-13	1	
1ADK		4202927	188-	1	
1ADK	1560-150-8241	4202954	6-24	2	
1ADK		4202957	106-	1	
1ADK		4202961	106-	1	
1ADK		4203086	106-73	1	
1ADK		4203118	106-72	1	
1ADK		4203126	106-	1	
1ADK		4203260	42-	1	
1ADK		4203273	198-14	1	
1ADK		4203274	198-16	1	
1ADK		4203281	198-18	1	
1ADK		4203312	179-46	1	
5629		4203320	102-23	12	
1ADK		4203449	195-	1	
1ADK	1560-109-6329	4203502	30-1	1	
1ADK		4203595	32-44	1	
1ADK		4203595-1	32-	1	
1ADK		4203596	32-52	1	
		4203596-1	32-	1	
1ADK		4203597	32-53	1	
1ADK		4203597-1	32-	1	
1ADK		4203598	32-46	1	
1ADK		4203598-1	32-	1	



STOCK NUMBER			FIGURE and INDEX NUMBER	QTY PER ART- ICAL	SOURCE CODE
CLASS CODE	FIIN or SERIAL NUMBER	PART NUMBER			
1ADK		4203658	43-	18	
		4203668	49-48	1	
		4203700-50	115-6	1	
		4203700-52	115-7	1	
		4203700-54	115-8	1	
		4203700-56	116-9	1	
		4203700-58	116-10	1	
1ADK	1560-308-3073	4203777	43-61	1	
1ADK		4203980	103-60	2	
			110-110		
1ADK		4204131	77-	1	
1ADK		4204131-1	77-	1	
1ADK		4204137	31-	1	
1ADK		4204195-2	160-7	2	
1ADK	1560-123-8351	4204281	50-1	1	
		4204604	15-41	1	
		4204604-1	15-	1	
		4204627	51-38	1	
1ADK	1560-121-7416	4204676	122-39	1	
		4204696	109-14	1	
		4204714	104-62	1	
		4204744	107-138	2	
			109-1		
1ADK	1560-396-9825	4204749	117-28	1	
		4204768	109-32	1	
		4204782-2	109-23	1	
		4204782-4	109-28	1	
		4204782-6	109-39	2	
		4204782-8	109-20	1	
1ADK	1560-396-9826	4204789	117-	1	
		4204840	83-	1	
			84-114		
		4204853	109-7	1	
		4204875	181-46	4	
		4204878	43-	2	
		4204896	181-45	4	
		4204907	122-55	1	
		4204908	122-57	1	
1ADK	1560-250-9007	4204909	122-	1	
1ADK	1560-123-8344	4204919	181-44	4	
1ADK	1560-121-2375	4204920	181-40	2	
1ADK	1560-121-2376	4204920-1	181-	2	
		4204938	52-58	1	
		4204938-1	52-	1	
1ADK	1560-121-2377	4204939	181-42	2	
1ADK	1560-121-2378	4204939-1	181-	2	
		4204940	122-7	1	
		4204959	105-63	1	
		4204960	105-61	1	
1ADK	1560-123-8343	4204968	52-31	1	
		4204993	58-48	1	
		4205017	28A-54	1	
		4205017-1	28A-	1	
		4205031	58-	1	
		4205032	58-	1	
1ADK	1560-198-7603	4205041	115-	1	
		4205042	115-67	1	
1ADK	1560-156-9164	4205052	107-133	3	
			108-		
			109-		
		4205081	116-40	1	
1ADK	1560-123-8341	4205082	116-	1	
1ADK		4205082-1	116-	1	
1ADK	1560-123-8340	4205083	116-41	1	
		4205096	52-4	1	
		4205112	201-1	1	
		4205112-1	201-	1	
		4205123	52-13	1	
		4205144	52-9	1	
		4205155	21-53	1	
1ADK	1560-125-6270	4205161	162-1	2	
		4205165	21-	2	
			22-		
		4205167	21-	2	
			22-		
		4205167-2	21-12	2	
			22-11		
		4205169	3-28	1	
1ADK	1560-121-2379	4205173	21-2	2	
			22-2		

Section III
Numerical Index

T.O. 1B-26B-4

STOCK NUMBER			FIGURE and INDEX NUMBER	QTY PER ART- ICAL	SOURCE CODE
CLASS CODE	FIIN or SERIAL NUMBER	PART NUMBER			
1ADK	1560-121-2380	4205178	22-1	1	
1ADK	1560-121-2381	4205179	21-1	1	
1ADK		4205206	127-19	2	
1ADK	1560-123-8339	4205221	52-	1	
1ADK		4205305	92-	1	
		4205341	110-4	7	
			110-78		
			111-		
		4205346	110-5	1	
		4205350	110-16	1	
1ADK		4205376	31-75	2	
1ADB		4205441	29-30	2	
		4205458-10	51-12	1	
		4205458-2	51-4	1	
		4205458-4	51-9	1	
		4205458-6	51-16	1	
1ADK		4205458-8	51-18	1	
1ADK	1560-121-2382	4205461	161-34	4	
			162-26		
		4205468	49-29	1	
1ADK	1560-124-7075	4205473	110-77	1	
1ADK		4205590	20-84	1	
		4205692-2	192-31	6	
		4205692-500	192-	4	
		4205692-502	192-	2	
		4205709	110-28	1	
		4205818	107-134	2	
			109-4		
1ADK	1560-193-3909	4205833	123-	1	
		4205838	110-7	1	
		4205841	110-47	1	
		4205847	116-	1	
1ADK	1560-396-9829	4205971	111-53	1	
1ADK	1560-109-6428	4206015	12-41	1	
1ADK	1560-109-6332	4206016	12-	1	
		4206016-2	12-49	1	
1ADK	1560-396-9830	4206022	111-49	1	
1ADK	1560-124-2600	4206051	81-38	1	
1ADK	1560-124-3379	4206051-1	81-	1	
		4206132	110-13	1	
1ADK		4206143	50-13	1	
1ADK		4206148	111-22	1	
		4206191	109-36	1	
1ADK		4206194	30-	1	
1ADK		4206201	72-7	1	
1ADK		4206202	12-	1	
		4206202-1	12-	1	
1ADK		4206213	104-67	2	
			110-37		
1ADK	1560-124-3378	4206219	13-122	1	
1ADK	1560-474-0981	4206220	13-	1	
		4206220-2	13-118	1	
1ADK		4206236	110-74	1	
1ADK		4206244	72-23	1	
1ADK		4206259	13-	1	
1ADK		4206259-1	13-	1	
1ADK		4206309	60-	1	
1ADK		4206363-10	181-	4	
1ADK		4206363-2	181-15	1	
1ADK		4206363-4	181-	1	
1ADK	1560-118-0939	4206363-8	181-	4	
1ADK		4206372	95-64	2	
			96-55		
			97-66		
1ADK		4206381	72-26	1	
1ADK		4206382	28-23	1	
1ADK	1560-396-9831	4206423	13-101	1	
1ADK	1560-125-6272	4206557	181-1	2	
			189-		
1ADK	1560-125-6273	4206557-1	181-	2	
			189-		
1ADK		4206575	102-13	1	
1ADK	1560-197-5034	4206593	57-	1	
		4206594	57-104	1	
		4206599	107-112	1	
			108-		
1ADK	1560-197-5035	4206616	108-35	1	
1ADK	1560-197-5036	4206675	32-43	3	
		4206675-1	32-	3	

STOCK NUMBER			FIGURE and INDEX NUMBER	QTY PER ART- ICAL	SOURCE CODE
CLASS CODE	FIIN or SERIAL NUMBER	PART NUMBER			
1ADK	1560-247-9505	4206708	123-	1	
1ADK		4206717	110-97	1	
1ADK	1560-197-5037	4206752	111-8	1	
	1005-300-8411	4206819	181-32	1	
		4206820	181-33	1	
1ADK	1560-197-5041	4206845	111-2	1	
1ADB		4206854-200	107-38	8	
			107-63		
			107-67		
			107-78		
			110-75		
1ADE		4206854-216	111-15	1	
1ADK		4206854-300	111-3	5	
			111-6		
			111-9		
		4206854-308	110-30	2	
		4206854-312	110-35	1	
		4206854-316	104-	1	
		4206854-328	110-26	1	
		4206854-416	110-53	1	
		4206854-516	110-89	2	
			111-35		
		4206854-520	110-84	1	
1ADE		4206854-524	107-7	1	
1ADK	1560-197-5042	4206862	109-17	1	
1ADK	1560-396-9832	4206878	111-14	1	
		4206957	12-1	1	
		4206957-1	12-	1	
1ADK		4207003	117-	1	
		4207061	48-20	1	
1ADK		4207091	48-	1	
1ADK	1560-197-5048	4207149	110-82	1	
1ADK		4207190	70-	1	
1ADK	1560-124-3367	4207225	151-8	2	
1ADK	1560-124-3366	4207238	79-35	1	
1ADK	1560-125-6238	4207239	79-37	1	
1ADK	1560-125-6805	4207243	31-48	1	
		4207262	31-52	1	
		4207321	179-23	1	
		4207324	179-22	19	
1ADK		4207383	2-27	1	
1ADK		4207383-1	2-	1	
		4207508	60-34	1	
		4207509	60-35	1	
1ADK	1560-197-5057	4207537	198-36	1	
		4207549	60-20	1	
		4207550	60-21	1	
		4207552	60-18	1	
1ADK	1560-124-6603	4207572	20-38	1	
1ADK		4207618	107-77	1	
		4207665	107-90	1	
1ADK	1560-250-3432	4207666	158-	2	
		4207666-2	158-	2	
1ADK		4207673	13-	1	M1
1ADK		4207673-4	13-33	1	
1ADK	1560-156-8885	4207680	153-34	2	
		4207728	57-177	1	
1ADK		4207755	107-34	1	
		4207787	42-65	1	
1ADK	1560-396-9837	4207835	57-195	1	
		4207839	51-20	1	
1ADK	1560-150-7553	4207845	116-	2	
			131-13		
1ADK	1560-150-7554	4207845-1	116-	1	
1ADK	1560-197-5064	4207852	84-107	1	
			85-120		
1ADK	1560-124-6216	4207853	84-	1	
			85-		
1ADK	1560-124-6217	4207854	84-	1	
			85-		
		4207855	84-92	1	
			85-104		
1ADK		4207856	84-82	1	
			85-93		
1ADK	1560-124-6218	4207857	84-	1	
			85-		
1ADK	1560-124-6219	4207858	84-	1	
			85-		
1ADK		4207859	84-74	1	
			85-84		
1ADK		4207860	84-70	1	
			85-80		
1ADK	1560-124-6220	4207861	84-	1	
			85-		
1ADK	1560-124-6221	4207862	84-	1	A
			85-		

Section III
Numerical Index

T.O. 1B-26B-4

STOCK NUMBER			FIGURE and INDEX NUMBER	QTY PER ART- ICAL	SOURCE CODE
CLASS CODE	FIIN or SERIAL NUMBER	PART NUMBER			
		4207863	84-67	2	
		4207864	85-77		
		4207882	84-79	1	
1ADK	1560-124-6222	4207882	85-90	1	
1ADK	1560-124-6226	4207910	84-90	1	
			85-102		
			62-12	14	
			62-38		
			63-15		
			63-45		
1ADK	1560-124-6225	4207911	61-21	1	
		4207931	62-14	14	
			62-40		
			64-6		
		4207952	21-	1	
1ADK		4207952-2	21-38	1	
1ADK		4207954	21-	1	
1ADK		4208019	73-7	1	
1ADK	1560-156-3234	4208082	143-	2	
		4208082-2	143-35	2	
		4208101	64-29	1	
1ADK	1560-124-6231	4208108	64-	1	
1ADK		4208110	43-90	1	
1ADK	1560-236-6582	4208191	8-	1	
1ADK	1560-236-6584	4208191-1	8-	1	
		4208191-2	8-16	1	
		4208191-3	8-	1	
		4208204	189-27	1	
		4208204-1	189-	1	
		4208205	189-28	1	
		4208205-1	189-	1	
1ADK	1560-194-5292	4208227-2	12-	1	
1ADK	1560-194-5293	4208227-3	12-	1	
1ADK		4208237	121-5	1	
1ADK	1560-117-9659	4208269	89-77	1	
1ADK	1560-117-9660	4208269-1	89-78	1	
1ADK		4208518	85-40	1	
		4208519	82-91	1	
		4208520	82-90	1	
		4208526	82-88	1	
		4208627	85-29	1	
1ADK	1560-124-6233	4208629	85-	1	
1ADK		4208667	117-	1	
1ADK		4208674	47-	1	
		4208674-4	47-4	1	
1ADK	1560-396-9841	4208729	82-	1	
1ADK		4208823	187-	1	
1ADK	1560-191-6251	4208952	7-	1	
1ADK	1560-166-9073	4208988	32-35	1	
		4208995	32-	1	
1ADK	1560-125-6591	4209077	32-56	1	
1ADK	1560-121-2389	4209079	47-15	2	
		4209275	117-	2	
		4209275-2	117-12	1	
1ADK	1560-231-5407	4209406	97-40	1	
		4209518	32-26	1	
		4209518-1	32-	1	
1ADK	1560-121-2390	4209519	28A-50	4	
1ADK	1560-250-7498	4209519-1	28A-	4	
1ADK	1560-117-9969	4209559	29-76	1	
1ADK	1560-125-6804	4209566	27-3	1	
1ADK	1560-125-6803	4209566-1	27-	1	
1ADK	1560-109-5421	4209642	34-19	4	
			184-19		
			185-11		
			191-11		
1ADK		4209647	124-2	1	
1ADK	1560-109-8390	4209677	27-2	1	
1ADK	1560-125-6809	4209677-1	27-	1	
1ADK	1560-125-3830	4209700	191-35	8	
1ADK	1560-386-5952	4209704	191-34	8	
1ADK		4209752	180-19	1	
1ADK	1560-396-9845	4209755	180-12	1	
1ADK		4209756	180-10	1	
1ADK		4209771-502	183-30	1	
1ADK		4209771-504	183-25	1	
1ADK		4209771-506	183-16	1	
1ADK		4209771-508	183-12	4	
1ADK		4209771-510	183-11	1	
1ADK		4209771-512	183-9	1	

STOCK NUMBER			FIGURE and INDEX NUMBER	QTY PER ART- ICAL	SOURCE CODE
CLASS CODE	FIIN or SERIAL NUMBER	PART NUMBER			
1ADK	1560-303-7276	4209771-516	183-19	1	
1ADK	1560-303-7277	4209771-518	183-17	1	
1ADK		4209771-520	183-1	1	
1ADK		4209771-522	183-4	1	
1ADK		4209771-524	183-7	1	
		4209788	28A-57	2	
1ADK		4209791-500	6-	2	
1ADK		4209791-502	6-	2	
1ADK	1560-191-6261	4209793	3-	1	
1ADK		4223161	92-	1	
4221		4255A1	126-5	4	
1ADK		4275005	173-	1	
1ADK		4275021-500	163-24	2	
1ADK		4275021-502	163-22	2	
1ADK		4275021-504	163-25	2	
1ADK		4275021-506	163-28	2	
		4275034	28A-51	1	
		4275034-1	28A-	1	
1ADK		4275066	191-47	1	
1ADK		4275134	42-29	1	
1ADK		4275186	106-55	1	
1ADB		4275576	76-4	2	
1ADK		4275602	16-27	1	
1ADK	1560-109-6962	4275645	35-	8	
1ADK		4275645-2	35-15	4	
1ADK	1560-144-6121	4275660	35-	1	
1ADK	1560-144-6120	4275660-1	35-	1	
		4275661	35-	1	
		4275661-1	35-	1	
		4275661-2	35-48	1	
		4275661-3	35-	1	
		4275762	16-40	1	
1ADK	1560-196-4156	4275799	110-80	2	
			111-		
		4275799-2	111-23	1	
1ADK	1560-251-5291	4275821	182-19	6	
		4275828	112-16	1	
		4275829	112-14	1	
1ADK	1560-150-8378	4275839	107-48	1	
1ADK	1560-130-0737	4275904	182-	6	
1ADK		4275904-2	182-22	1	
	1560-191-7827	4275998	191-58	2	
		4276014-500	27-18	1	
		4276014-501	27-	1	
		4276014-502	27-19	1	
		4276014-503	27-	1	
		4276014-504	27-16	1	
		4276014-505	27-	1	
		4276014-506	27-15	1	
		4276014-507	27-	1	
		4276023-500	34-4	1	
		4276023-502	34-6	1	
		4276023-504	34-7	1	
		4276023-506	34-8	1	
		4276023-508	34-9	1	
		4276023-510	34-30	1	
		4276023-512	34-32	1	
		4276023-514	34-33	1	
		4276023-516	34-39	1	
		4276023-518	34-	1	
		4276023-520	34-	1	
		4276023-522	34-	1	
		4276023-524	34-	1	
		4276023-526	34-	1	
		4276023-528	34-	1	
		4276023-530	34-	1	
		4276023-532	34-	1	
		4276023-534	34-	1	
1ADK	1560-130-0738	4276065	191-53	8	
1ADK		4276089	107-65	1	
		4276144	107-61	1	
1ADK	1560-199-8275	4276159	182-25	4	
1ADK	1560-231-5394	4276225	110-83	1	
		4276285-500	191-14	1	
		4276285-502	191-16	1	
		4276285-518	191-18	1	
1ADK	1560-191-7834	4276300	10-45	1	
1ADK	1560-199-8276	4276336	158-	2	
1ADK	1560-237-2719	4276336-2	158-18	2	

Section III
Numerical Index

T.O. 1B-26B-4

STOCK NUMBER			FIGURE and INDEX NUMBER	QTY PER ART- ICAL	SOURCE CODE
CLASS CODE	FIN or SERIAL NUMBER	PART NUMBER			
1ADK	1560-237-2720	4276336-4	158-	2	
1ADK		4276377	193-	1	
1ADK		4276377-1	193-	1	
1ADK	1560-245-6366	4276377-2	193-1	1	
		4276377-3	193-	1	
		4276543	107-66	1	
1ADK		4276552	193-	1	
1ADK		4276552-1	193-	1	
		4276552-2	193-2	1	
1ADK	1560-250-8423	4276552-3	193-	1	
1ADK		4276621	92-	1	
1ADK	1560-150-8388	4276622	92-	1	
		4276663	92-	1	
1ADK		4276755	115-26	1	
		4276825	107-2	2	
1ADK	1560-150-7532	4276853	182-30	6	
1ADK	1560-150-8199	4276873	182-29	6	
1ADK	1560-150-7533	4276935	41-35	1	
1ADK		4277042	122-65	1	
1ADK	1560-121-1897	4277075	65-2	3	
1ADK	1560-121-1898	4277075-1	65-	4	
		4277104	183-33	2	
			184-17		
		4277113	34-	1	
		4277119	108-28	1	
		4277120	107-106	1	
1ADK	1560-191-8710	4277122	107-110	1	
			108-		
1ADK	1560-150-7530	4277209	65-17	1	
		4277355	74-31	1	
1ADK	1560-150-7529	4277391	65-	1	
		4277435	74-	1	
		4277436	74-30	1	
1ADK	1560-150-7537	4277452	146-	1	
		4277462-2	146-39	1	
		4277616	191-20	1	
1ADK	1560-150-7540	4277716	151-2	2	
1ADK		4277783	182-16	1	
		4277867	180-20	1	
1ADK		4277927	146-	1	
		4277927-2	146-46	1	
1ADK	1560-185-5922	4278124	183-27	1	
1ADK	1560-185-5921	4278148	146-17	1	
		4278378	33-5	2	
1ADK	1560-150-7527	4278482	48-	1	
		4278482-2	48-69	1	
2000	404800	4278594	43-	2	
1ADK	1560-185-5925	4278649	13-	1	
		4278649-4	13-	1	
		4278674	32-61	1	
		4278674-1	32-	1	
		4278787	16-39	1	
		4278810	32-	1	
		4278810-1	32-	1	
		4278811	32-	1	
		4278811-1	32-	1	
		4278823-500	10-20	1	
		4278823-502	10-23	1	
		4278823-504	10-	1	
		4278823-505	10-	1	
		4278889	35-	4	
		4278890	35-	2	
		4278890-1	35-	2	
1ADK		4279096	42-14	1	
1ADK	1560-150-8368	4279097	151-26	2	
		4279520	6-22	1	
		4279520-1	6-	1	
1ADK		4279762	191-	2	
		4279848	191-33	2	
		4279851	191-	2	
1ADK		4279852	191-32	2	
		4280857	135-1	1	
		4282031	141-1	1	
1ADK		4283593-2	58-47	2	
1ADK		4288909	151-3	2	
1ADK	1560-198-7646	4292352	193-	1	
1ADK	1560-386-5954	4292352-1	193-	1	
1ADK	1560-386-5955	4292359	193-	1	
		4292359-1	193-	1	

STOCK NUMBER			FIGURE and INDEX NUMBER	QTY PER ART- ICAL	SOURCE CODE
CLASS CODE	FIIN or SERIAL NUMBER	PART NUMBER			
		4298896	20-	2	
			22-		
		4298897	19-	1	
		4298898	19-	1	
6400	390590	43A10571	178-	47	
			178-23		
6400	334815	43A11177	192-	1	
		43A12153	178-	47	
			178-21		
4202		43A12392	122-23	1	
		43A12738	50-24	1	
3360	070520002	43A12832	130-18	2	
			133-4		
5509		43A15324	192-	1	
		43A17636	140-7	3	
			140-15		
6400	091675	43B11200	140-24		
			116-4	AR	

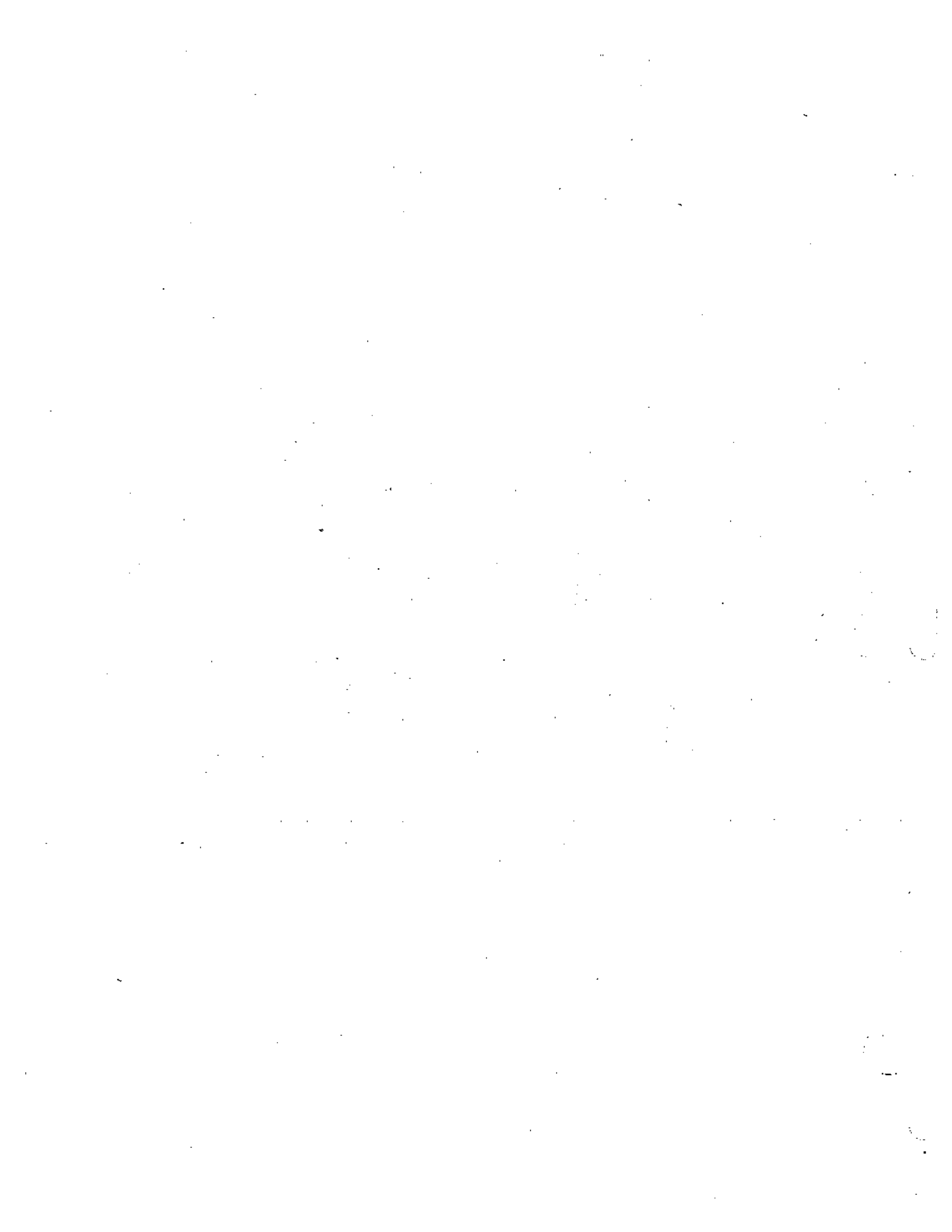
STOCK NUMBER			FIGURE and INDEX NUMBER	QTY PER ART- ICAL	SOURCE CODE
CLASS CODE	FIIN or SERIAL NUMBER	PART NUMBER			
6400	875210	43B12393	128-16	1	
		43B15967	181-19	2	
		43B15968	161-	2	
		43B16094	122-72	1	
		43B25259	182-8	6	
		43B9887	178-13	32	
1095	488-1583	43G19840L	193-3		
			178-54	9	
1095	488-1584	43G19840R	201-6		
			178-	9	
			201-		
4502		43G7044	180-2	1	
4248		4306	123-64	2	
3380		4369	92-61	1	
6000		44-2733	54-13	1	
7700	549372	44A18454-2	58-45	1	
7700	549316	44A18454-3	58-46	3	
7700	549376	44A18454-6	121-37	2	
7700	550238	44A18454-9	120-14	2	
5200	969075	44A4678	181-	16	
4502		44A9312	16-9	1	
5200	101700	44B11182	181-4	24	
			182-10		
			191-49		
			192-6		
3380	536240-3765	44B18574	129-23	1	
4502		44B18953	16-7	2	
5200	321923-4	44B25259	182-8	14	
			191-3		
5200	005585	44B4254	181-34	2	
5200	005580	44D4255	181-	2	
4502		44B9328-1	16-5	2	
4502		44B9331-1	16-6	1	
5509		44D252-6	141-10	24	
4502		44D9226	16-42	2	
1095	360-0955	44G4996	178-	5	
			196-		
4502		44G5437	43-17	AR	
4502		44G5443	43-19	1	
4205		451930	108-2	1	
3800		455L1-2	131-19	1	
3500	513295-34	46A1135-524	160-12	8	
		46A473	143-25	4	
		46A474	143-14	4	
1ADK		46D2651	59-1	1	
1ADK		47B1313-1	70-	1	
1ADK		47D2702	171-7	1	
1ADK		47G2709	171-5	2	
			172-4		
4221		4750	126-9	3	
4221		4750-1	135-18	1	
4221		4752	126-11	1	
4221		4755	126-10	14	
4221		4775	126-15	1	
4221		4780	126-12	1	
4221		4785	126-13	1	
4221		4792	126-17	2	
3350		48	115-69	20	
4516		48A15	107-17	2	
4516		48A63	107-1	2	
1ADK		48B24094DD2-12	54-	10	
			59-		
			164-56		
1ADK		48B24094DD2-16	59-	4	
1ADK		48B24094DD2-48	55-	6	
			56-		
1ADK		48B24094DD3-16	128-	4	
1ADK		48B24094DD3-20	167-20	2	
1ADK		48B24094DD3-24	53-21	4	
			130-		
1ADK		48B24094DD3-32	130-	1	
1ADK		48B24094DD3-48	130-	1	
1ADK		48B24094DD3-64	53-15	4	
1ADK		48B24094DD4-16	54-	6	
1ADK		48B24094DD5-16	53-14	2	
1ADK		48B24094DD5-28	53-4	1	
1ADK		48B24094DD6-32	53-5	1	
5509		48B3657-1	141-12	8	
5509		48B3657-2	141-13	4	
1600	224550365	48C2491	170-17	1	

Section III
Numerical Index

T.O. 1B-26B-4

STOCK NUMBER			FIGURE and INDEX NUMBER	QTY PER ART- ICAL	SOURCE CODE	
CLASS CODE	FIN or SERIAL NUMBER	PART NUMBER				
5200	752860	48C4021	191-2	8		
1ADK		48SCB90	127-18	1		
1ADK		48SCC11	59-3	1		
1ADK		48SCC139	59-	1		
1ADK		48SCC8241	126-	2		
1ADK		48SCC8241-1	126-19	1		
1ADK		48SCC86	55-15	1		
6700		48174	132-14	2		
			134-9			
			126-16	4		
4221		4850	126-14	4		
		4855	135-13	1		
4221		4855-1	-	-		
USE	AN3028-3 071815160	49-1229-2	42-46	AR		
3360		49-1416	117-42			
			122-			
			123-49			
			127-9			
			154-27			
			168-15	2		
6500			49058	149-3	12	
6700		902325	49380-1	153-7	AR	
				153-78		
5901			5AM31NJ9	116-72	4	
				116-77		
5901			5AM31NJ9A	199-1	2	
5901			5D21NJ3	116-66	1	
1ADK			5P5096	182-26	1	
1ADK			5P5097	182-28	4	
3330			5R5T5	158-24	4	
8880			50B2129	168-24	1	
3320		5000	115-21	5		
		5001-1	161-33	4		
			161-41			
			162-25			
			162-33			
3380		5022-3	31-13	4		
6700	152160 152195-25 152197	502380-2	42-59	1		
6700			502380-4	42-60	1	
6700			5055C	42-52	1	
			50711	100-8	1	
			50727	115-	1	
			50890	83-96	1	
				84-110		
				85-123		
1ADK			5096431	177-	AR	
1ADB			5096973-10	158-3	1	
		51A670	46-26	1		
		51A676	46-15	1		
		51A686	46-	1		
		51B647	46-1	1		
		51B653	46-4	1		
		51B656	46-7	1		
		51B663	46-9	1		
		51B667	46-11	1		
		51B671	46-13	1		
		51B675L	46-14	1		
		51B675R	46-	1		
		51B677	46-20	2		
		51B685	46-18	1		
		51B692	46-	2		
		51C646	46-25	1		
		51C678	46-16	1		
3330		51K1200	123-55	2		
1ADK		51SCA1267	137-7	3		
1ADK		51SCA1278	129-7	1		
1ADK		51SCA1279	127-10	3		
			135-23			
1ADK		51SCA1432	164-66	4		
			164-69			
1ADK		51SCA774	53-10	2		
1ADK		51SCB1063L	114-9	1		
1ADK		51SCB1063R	114-	1		
1ADK		51SCB1064L	114-7	1		
1ADK		51SCB1064R	114-	1		
1ADK		51SCB1251	130-	1		
1ADK		51SCB1252	134-15	1		
1ADK		51SCB1253	134-	1		
1ADK		51SCB1268	137-10	1		
1ADK		51SCB1269	137-11	1		
1ADK		51SCB1535	176-32	1		
1ADK		51SCB1540	176-9	8		
1ADK		51SCB1577	54-38	2		
			164-61			

STOCK NUMBER			FIGURE and INDEX NUMBER	QTY PER ART- ICAL	SOURCE CODE
CLASS CODE	FIIN or SERIAL NUMBER	PART NUMBER			
1ADK		51SCB1578	54-	2	
1ADK		51SCB1579	164-		
1ADK		51SCB1581	114-11	2	
1ADK		51SCB767	141-6	1	
1ADK		51SCB769	53-1	1	
1ADK		51SCB770	53-29	1	
1ADK		51SCB771	53-27	1	
1ADK		51SCB781L	53-9	1	
1ADK		51SCB781R	53-18	1	
1ADK		51SCB783	53-19	1	
1ADK		51SCB909	53-31	1	
1ADK		51SCC1005	167-13	1	
1ADK		51SCC1250	137-	1	
1ADK			130-16	2	
1ADK			133-2		
1ADK		51SCC1254	134-	1	



STOCK NUMBER			FIGURE and INDEX NUMBER	QTY PER ART- ICAL	SOURCE CODE
CLASS CODE	FIIN or SERIAL NUMBER	PART NUMBER			
1ADK		51SCC1464	59-	1	
1ADK		51SCC1503	176-23	1	
1ADK		51SCC1514	176-11	1	
1ADK		51SCC1516	176-34	1	
1ADK		51SCC1517	176-8	8	
1ADK		51SCC1518	176-7	4	
1ADK		51SCC1521	176-	1	
1ADK		51SCC1534	176-	1	
1ADK		51SCC1572	59-17	1	
1ADK		51SCC1580	139-5	1	
			141-		
1ADK		51SCC882	134-	1	
1ADK		51SCC883	134-20	1	
1ADK		51SCC901	133-	1	
1ADK		51SCC908	167-11	1	
1ADK		51SCC931	176-6	2	
1ADK		51SCD1002	176-	1	
1ADK		51SCD1262	137-	1	
1ADK		51SCD1263	137-	1	
1ADK		51SCD1264	137-4	1	
1ADK		51SCD1265	137-	1	
1ADK		51SCD1525L	176-13	1	
1ADK		51SCD1525R	176-	1	
1ADK		51SCD1526L	176-14	1	
1ADK		51SCD1526R	176-	1	
1ADK		51SCD1528	176-19	2	
1ADK		51SCD1545L	176-16	1	
1ADK		51SCD1545R	176-	1	
1ADK		51SCD1546L	176-17	1	
1ADK		51SCD1546R	176-	1	
1ADK		51SCD1547L	176-	1	
1ADK		51SCD1547R	176-	1	
1ADK		51SCD43	184-	1	
1ADK		51SCD762	53-8	1	
1ADK		51SCD881	134-	1	
1ADK		51SCD907	167-	1	
1ADK		51SCF1066	114-	1	
1ADK		51SCH1500-1	176-	1	
1ADK		51SCH1500-2	168-	1	
1ADK		51SCJ1582	139-4	6	
			141-		
1ADK		51SCK761	53-	1	
1ADK		51SCR1061	114-	1	
6700	152198-5	51056	39-19	2	
4109		510675M	143-7	2	
1ADE		5112852-4	57-199	1	
3320	292190240	5116	115-22	12	
			115-56		
			118-27		
			119-33		
			120-22		
			121-19		
			121-35		
		5120209	76-	1	
1ADK		5121515	29-94	2	
			30-		
1ADK		5121515-1	29-	2	
			30-		
1ADK	1560-121-0630	5122034-20	7-2	1	
1ADK	1560-121-0631	5122034-22	7-3	1	
1ADK		5122054	2-	1	
1ADK		5122054-1	2-	1	
1ADK	1560-046-5606	5122063	36-	1	
1ADK	1560-046-5607	5122063-1	36-	1	
1ADK	1560-150-8310	5122063-2	36-1	1	
1ADK	1560-474-1008	5122063-3	36-	1	
1ADK	1560-187-6927	5122063-4	36-2	1	
1ADK		5122064	10-2	1	
			36-		
1ADK		5122064-1	10-	1	
			36-		
1ADK	1560-123-8658	5122065-2	36-27	1	
1ADK	1560-124-1500	5122065-3	36-	1	
1ADK	1560-109-4545	5122065-4	36-29	1	
1ADK		5122085	2-	1	
			14-		
1ADK		5122086	2-	1	
			14-		

Section III
Numerical Index

T.O. 1B-26B-4

STOCK NUMBER			FIGURE and INDEX NUMBER	QTY PER ART- ICAL	SOURCE CODE
CLASS CODE	FIIN or SERIAL NUMBER	PART NUMBER			
1ADK		5122087	2-	1	
1ADK		5122088	14-	1	
1ADK		5122102	2-	1	
1ADK		5122102-1	23-	1	
1ADK		5122103	2-	1	
1ADK		5122103-1	23-	1	
1ADK	1560-109-9650	5122103-2	2-19	1	
1ADK		5122104	3-	1	
1ADK		5122105	2-	1	
1ADK		5122110	26-	1	
1ADK		5122110-12	2-	1	
1ADK		5122110-14	38-	1	
1ADK		5122110-4	38-1	2	
1ADK		5122110-6	38-45	1	
1ADK	1560-046-5621	5122113	38-43	1	
1ADK	1560-046-5622	5122113-1	38-44	1	
1ADK	1560-187-6930	5122117	38-	1	P1
1ADK		5122119	38-	1	
1ADK		5122121	38-	1	
1ADK	1560-187-6931	5122121-2	38-	1	
1ADK	1560-187-6932	5122121-3	38-	1	
1ADK	1560-187-6933	5122122	38-14	1	
1ADK	1560-187-6934	5122122-1	38-	1	
1ADK	1560-187-6935	5122124	38-	2	
1ADK		5122125	38-	1	
1ADK	1560-187-6936	5122125-2	38-	1	
1ADK	1560-187-6937	5122127	38-	1	
1ADK		5122127-200	38-72	1	
1ADK	1560-187-6938	5122129	38-	1	
1ADK		5122129-30	38-90	1	
1ADK		5122150	40-1	1	
1ADK		5122150-4	73-	2	
1ADK		5122150-6	74-	2	
1ADK	1560-187-6939	5122151	73-15	1	
1ADK	1560-187-6940	5122151-1	73-14	1	
1ADK		5122151-10	73-	1	
1ADK		5122151-11	73-1	1	
1ADK		5122152	73-	1	
1ADK	1560-182-5057	5122153	40-8	1	
1ADK	1560-182-5058	5122153-1	71-	1	
1ADK		5122153-110	71-1	1	
1ADK		5122153-96	71-2	1	
1ADK		5122154	71-8	1	
1ADK		5122157	71-10	31	
1ADK		5122158	40-	1	
1ADK	1560-182-5059	5122158-1	71-	1	
1ADK	1560-180-9575	5122158-30	48-	1	
1ADK		5122158-31	48-	1	
1ADK		5122160	48-	1	
1ADK		5122172	40-5	1	
1ADK	1560-180-9576	5122173	77-	1	
1ADK	1560-244-2236	5122173-12	77-	1	
1ADK	1560-244-2237	5122173-50	77-20	1	
1ADK		5122174	77-18	1	
1ADK		5122185	77-	1	
1ADK		5122194	40-	1	
1ADK		5122195	100-	1	
1ADK		5122196	40-	1	
1ADK		5122197	91-	1	
1ADK		5122197-1	91-	1	
1ADK		5122198	40-	1	
4808	410507	5122202	98-	1	
			92-6	1	

STOCK NUMBER			FIGURE and INDEX NUMBER	QTY PER ART- ICAL	SOURCE CODE
CLASS CODE	FIN or SERIAL NUMBER	PART NUMBER			
4808 1ADK	403714	5122203 5122204	92- 92-46 93- 93-5	1 1	
1ADK 1ADK		5122204-8 5122207	95-36 96-32 97-34 99-	1 2	
1ADK		5122208	98-1 99-	1	
1ADK		5122211	40- 94	1	
1ADK		5122215	78-4 80-	1	
1ADK 1ADK	1560-123-8482	5122217 5122228	80- 43-1 44-	1 2	
1ADK		5122230	43-3 47-	1	
1ADK		5122275	178- 197-	1	
1ADK	1560-123-8483	5122277	197- 200-2	1	
1ADK 1ADK 1ADK 1ADK		5122277-2 5122277-4 5122325 5122329	197-6 197-7 148- 148-7 149-	1 2 2 2	
1ADK		5122330	148-8 149-	2	
1ADK 1ADK	1560-130-0550	5122335 5122336	151-1 148-12 151-	2 2	
1ADK	1560-046-5623	5122338	148-10 150-	4	A
1ADK 1ADK 1ADK	1560-166-4232 1560-244-2238	5122338-10 5122338-12 5122341	150-14 150- 148-19 155-	2 2 2	P1
1ADK		5122344	148-22 157-	2	
1ADK		5122350	148-26 160-	2	
1ADK 1ADK 1ADK		5122370 5122372 5122372-1	143- 143- 143-	1 1 1	
4605 4605 1ADK	8211AL 8211AR	5122374 5122374-1 5122377	143- 143- 143-13 144-	1 1 2	
1ADK 1ADK 1ADK 1ADK 4605 1ADK	1560-109-2791 1560-109-2790	5122378 5122378-1 5122380 5122382	143-19 143- 145- 145-	1 1 1 1	
4605 1ADK	8239	5122384 5122386	145-50 145-1 146-	1 1	
1ADK	1560-150-8318	5122388	145-53 147-	1	
1ADK 1ADK		5123025 5123051	150-1 115- 117-	2 1	
1ADK	1560-396-9852	5123072 5123076 5123076-1 5123076-6 5123076-7	150-2 31- 31- 31-64 31-	2 1 1 1 1	
1ADK 1ADK 1ADK 1ADK 1ADK 1ADK 1ADK 1ADK 1ADK 1ADK 1ADK 1ADK	1560-121-2264	5123455 5123521 5123553 5123553-1 5123578 5123578-1 5123590 5123590-1 5123812 5123812-2 5123813 5123813-2	197-9 41-51 7- 7- 7-26 7- 81-46 81- 81- 81-71 81- 81-68	1 1 1 1 1 1 1 1 1 1 1 1	

Section III
Numerical Index

T.O. 1B-26B-4

STOCK NUMBER			FIGURE and INDEX NUMBER	QTY PER ART- ICAL	SOURCE CODE
CLASS CODE	FIIN or SERIAL NUMBER	PART NUMBER			
1ADK	1560-109-6412	5123819	155-13	16	
1ADK	1560-182-4928	5123846	155-34		
1ADK	1560-123-7283	5123846-1	5-59	1	
1ADK	1560-123-7282	5123848	5-	1	
1ADK	1560-123-7281	5123848-1	5-	1	
1ADK	1560-024-3416	5123848-4	5-	1	
1ADK		5123848-5	5-57	1	
1ADK	1560-244-2239	5123878	5-	1	
1ADK		5123878-2	151-	2	
1ADK		5123879	151-7	2	
1ADK		5123909	151-9	2	
			29-	1	
		5123909-1	31-		
			29-	1	
			31-		
1ADK	1560-147-0878	5123922	13-8	1	
1ADK	1560-123-8664	5123933	39-	1	
1ADK		5123934	39-38	1	
1ADK	1560-147-0944	5123936	39-	1	
1ADK	1560-123-8663	5123936-1	39-	1	
1ADK		5123937	39-8	1	
1ADK	1560-396-9853	5123937-1	39-	1	
1ADK		5123959	148-15	2	
			152-		
1ADK		5123959-12	152-42	1	
1ADK		5123959-14	152-41	1	
1ADK	1560-123-8661	5123959-16	152-	1	
1ADK		5123959-18	152-	1	
1ADK	1560-124-3661	5123968	36-43	1	
1ADK	1560-124-3660	5123968-1	36-	1	
1ADK		5125422	80-8	1	
1ADK	1560-182-5091	5125606-2	197-1	1	
1ADK	1560-182-5092	5125606-4	197-2	1	
1ADK	1560-182-509	5125613	152-	3	
1ADK		5125613-1	152-	3	
1ADK	1560-124-3658	5125613-2	152-8	1	
1ADK		5125636	41-52	1	
1ADK		5125642	80-	2	
1ADK		5125642-2	80-16	2	
1ADK	1560-124-3657	5125648	13-11	1	
1ADK		5125649	13-7	1	
1ADK		5125655	80-	1	
1ADK		5125655-2	80-27	1	
1ADK	1560-109-4212	5125664	80-	1	
1ADK		5125664-46	80-33	1	
1ADK	1560-109-6928	5125683	197-	1	
1ADK	1560-182-5094	5125684	197-54	1	
1ADK	1560-121-1833	5125685	197-55	1	
1ADK	1560-109-6929	5125686	197-	1	
1ADK		5125689	18-11	1	
1ADK		5125690	18-	1	
1ADK		5125701	18-	1	
1ADK	1560-125-6188	5125702	18-22	1	
1ADK		5125717	12-	1	
1ADK		5125717-1	12-	1	
1ADK	1560-117-3389	5125718	152-	1	
1ADK	1560-117-3388	5125718-1	152-	1	
1ADK	1560-025-4426	5125718-12	152-2	1	
1ADK		5125718-13	152-	1	
1ADK		5125734	14-	1	
1ADK		5125735	14-	1	
1ADK		5125736	14-	1	
1ADK		5125737	14-	1	
1ADK		5125738	14-	1	
1ADK		5125739	14-	1	
1ADK	1560-436-6053	5125741	17-32	1	
1ADK		5125741-1	17-	1	
1ADK		5125744	17-	1	
1ADK		5125744-1	17-	1	
1ADK		5125755	18-	1	
1ADK		5125755-1	18-	1	
1ADK		5125758	28A-	1	
1ADK	1560-237-2721	5125782	197-35	1	
1ADK	1560-237-2722	5125783	197-36	1	
1ADK		5125784	197-33	1	
1ADK		5125785	197-34	1	
1ADK	1560-124-3639	5125787	197-	1	
1ADK	1560-121-2848	5125796	41-10	1	
1ADK	1560-121-2849	5125796-1	41-	1	

STOCK NUMBER			FIGURE and INDEX NUMBER	QTY PER ART- ICAL	SOURCE CODE
CLASS CODE	FIIN or SERIAL NUMBER	PART NUMBER			
IADK	1560-109-2792	5125798	41-	1	A
IADK		5127907	146-	1	
IADK		5127907-2	146-1	1	
IADK		5127910	29-6	1	
IADK	1560-125-6358	5127910-1	30-	1	
IADK		5127942	29-	1	
IADK		5127946	30-	1	
IADK		5127946-2	77-	1	
IADK		5127964	146-	1	
IADK		5127966	146-4	1	
IADK		5127967	41-1	1	
IADK		5127984	197-	1	
IADK		5127998	197-	1	
IADK		5127998-1	71-12	4	
IADK	1560-121-2850	5128012	38-10	1	
IADK		5128012-2	38-	1	
IADK		5128020	5-	2	
IADK		5128020-1	5-36	1	
IADK		5128020-2	5-	1	
IADK		5128020-3	5-	1	
IADK		5128025	5-43	1	
IADK		5128025-1	5-	1	
IADK		5128026	5-25	1	
IADK		5128026-1	5-	1	
IADK	1560-121-2851	5128029	5-22	1	
IADK		5128029-1	5-	1	
IADK		5128067	5-31	1	
IADK		5128084	5-	1	
IADK		5128084-1	38-	1	
IADK		5128085	19-45	1	
IADK		5128085-1	20-27	1	
IADK		5128326	19-	1	
IADK		5128326-1	20-	1	
IADK		5128326-2	178-	1	
IADK	1560-124-3634	5128326-3	178-	1	
IADK		5128374	178-18	1	
IADK		5128374-8	178-	1	
IADK		5128376	94-	1	
IADK		5128376-1	94-137	1	
IADK		5128378	143-57	1	
IADK		5128378-2	143-	2	
IADK		5128410-100	143-41	2	
IADK		5128410-101	10-48	1	
IADK		5128410-104	10-	1	
IADK	1560-099-1580	5128410-114	10-15	1	
IADK		5128410-116	11-16	1	
IADK		5128410-118	11-	1	
IADK		5128410-128	11-17	1	
IADK		5128410-129	10-17	1	
IADK		5128410-130	10-	1	
IADK		5128410-131	10-55	1	
IADK		5128410-132	10-	1	
IADK		5128410-133	10-57	1	
IADK		5128410-138	10-	1	
IADK	1560-099-1581	5128410-139	156-26	2	
IADK		5128410-140	11-	1	
IADK		5128410-142	11-29	1	
IADK		5128410-144	101-64	1	
IADK		5128410-146	101-58	1	
IADK		5128410-148	101-66	1	
IADK		5128410-156	101-60	1	
IADK		5128410-158	11-32	1	
IADK		5128410-168	11-	1	
IADK		5128410-170	156-20	4	
IADK	1560-303-7282	5128410-176	101-70	1	
IADK		5128410-178	36-37	1	
IADK		5128410-180	101-72	1	
IADK		5128410-184	100-26	1	
IADK		5128410-185	100-27	1	
IADK		5128410-2	10-59	1	
IADK		5128410-223	10-	1	
IADK		1560-099-1592	10-	1	
IADK		1560-303-7284	156-9	2	
IADK		1560-099-1593	10-	1	
IADK	1560-303-7286				
IADK	1560-099-1596				
IADK	1560-099-1597				
IADK	1560-303-7287				
IADK					

Section III
Numerical Index

T.O. 1B-26B-4

STOCK NUMBER			FIGURE and INDEX NUMBER	QTY PER ART- ICAL	SOURCE CODE
CLASS CODE	FIIN or SERIAL NUMBER	PART NUMBER			
1ADK	1560-217-4418	5128410-224	10-	1	
1ADK		5128410-226	11-	1	
1ADK	1560-303-7288	5128410-228	11-44	3	
			156-33		
1ADK	1560-099-1600	5128410-28	10-60	1	
1ADK		5128410-4	156-15	2	
1ADK	1560-099-1601	5128410-42	10-9	1	
1ADK	1560-099-1602	5128410-44	10-11	1	
1ADK	1560-099-1603	5128410-45	10-	1	
1ADK	1560-217-4419	5128410-46	10-13	1	
1ADK	1560-303-7290	5128410-6	156-17	2	
1ADK	1560-099-1605	5128410-60	10-62	1	
1ADK	1560-099-1606	5128410-61	10-	1	
1ADK	1560-099-1607	5128410-62	100-25	1	
1ADK	1560-303-7291	5128410-64	148-45	2	
1ADK	1560-303-7292	5128410-70	156-28	2	
1ADK	1560-303-7293	5128410-72	156-30	2	
1ADK	1560-099-1608	5128410-76	11-33	1	
1ADK	1560-099-1609	5128410-78	10-5	1	
1ADK		5128410-86	10-36	1	
1ADK		5128410-88	10-33	1	
1ADK		5128410-90	10-29	1	
1ADK		5128410-92	10-31	1	
1ADK	1560-099-1610	5128410-98	10-18	1	
1ADK	1560-099-1611	5128410-99	10-	1	
1ADK		5128419	8-25	1	
1ADK		5128434	144-1	2	
1ADK		5128437	40-3	1	
			73-		
1ADK		5128439	144-4	2	
1ADK	1560-181-2218	5128444	73-35	1	
1ADK	1560-231-7658	5128444-12	73-47	1	
1ADK		5128444-16	73-41	1	
1ADK	1560-194-3174	5128444-8	73-37	1	
1ADK	1560-181-2215	5128459	152-	1	
1ADK		5128459-1	152-	1	
1ADK	1560-124-3633	5128478	197-24	1	
1ADK		5128480	146-	1	
1ADK		5128480-2	146-50	1	
1ADK		5128483	178-	1	
1ADK		5128489	17-	1	
1ADK		5128492	187-4	1	
1ADK		5128506	87-130	1	
1ADK		5128507	87-125	1	
1ADK		5128508	87-123	1	
1ADK		5128509	87-127	1	
1ADK		5128529	19-88	2	
			21-103		
1ADK		5128530	19-	1	
1ADK		5128538	32-1	1	
1ADK		5128538-1	32-	1	
1ADK		5128541	4-24	1	
1ADK		5128541-1	4-	1	
1ADK		5128556	197-	1	
1ADK		5128557	32-2	1	
1ADK		5128557-1	32-	1	
1ADK		5128562	29-1	1	
			30-		
1ADK		5128571	17-	1	
1ADK		5128574	146-52	1	
2000	231400	5128589	43-67	2	
1ADK		5128606	17-	1	
1ADK		5128618	17-	1	
1ADK	1560-181-2205	5128626	12-16	1	
1ADK	1560-181-2203	5128626-1	12-	1	
1ADK		5128632	79-29	1	
1ADK	1560-181-2202	5128637	19-68	2	
			21-84		
1ADK	1560-181-2201	5128637-1	20-49	2	
			22-71		
1ADK		5128638	19-	2	
			21-		
1ADK		5128638-1	20-	2	
			22-		
1ADK	1560-124-3783	5128639	79-	1	
1ADK		5128640	79-27	1	
1ADK		5128641	79-25	1	

STOCK NUMBER			FIGURE and INDEX NUMBER	QTY PER ART- ICAL	SOURCE CODE
CLASS CODE	FIIN or SERIAL NUMBER	PART NUMBER			
1ADK		5128660	87-69	1	
1ADK		5128662	87-83	1	
1ADK		5128663	87-57	1	
1ADK	1560-194-3175	5128678	9-33	1	
1ADK	1560-181-2199	5128678-1	9-34	1	
1ADK	1560-181-2198	5128680	146-56	1	
1ADK		5128682	41-48	1	
1ADK	1560-124-3627	5128684	142-10	1	
1ADK	1560-124-3636	5128684-1	142-	1	
1ADK		5128688-10	29-26a	1	
1ADK		5128695	20-	1	
1ADK	1560-245-9132	5128698	106-45	1	
1ADK	1560-121-0142	5129738	153-	2	
1ADK	1560-251-9253	5129738-2	153-1	2	
1ADK	1560-123-8463	5129926	145-5	1	
1ADK		5129938	90-	1	
1ADK	1560-123-8465	5129977	145-64	1	
1ADK	1560-304-8152	5129988-100	13-	1	
1ADK	1560-109-8888	5129988-104	148-41	2	
1ADK	1560-024-3427	5129988-106	13-43	1	
1ADK	1560-304-8153	5129988-112	13-107	1	
1ADK	1560-304-8154	5129988-114	13-94	1	
1ADK		5129988-116	160-	2	
1ADK	1560-304-8155	5129988-118	13-88	1	
1ADK	1560-304-8156	5129988-12	13-31	1	
1ADK		5129988-120	13-	1	
1ADK	1560-304-8157	5129988-16	157-10	2	
1ADK	1560-304-8158	5129988-18	157-12	2	
1ADK		5129988-22	160-16	2	
1ADK		5129988-24	160-14	22	
1ADK		5129988-26	160-18	2	
1ADK	1560-304-8159	5129988-30	148-37	2	
1ADK	1560-024-3428	5129988-40	13-49	1	
1ADK	1560-024-3429	5129988-60	13-	1	
1ADK	1560-024-3430	5129988-62	13-74	1	
1ADK	1560-304-8162	5129988-64	13-	1	
1ADK	1560-396-9864	5129988-66	13-86	1	
1ADK	1560-024-3431	5129988-68	13-82	1	
1ADK	1560-304-8163	5129988-72	13-26	1	
1ADK		5129988-74	13-89	1	
1ADK	1560-396-9865	5129988-76	13-	1	
1ADK		5129988-78	157-8	2	
1ADK		5129988-80	157-7	2	
1ADK	1560-304-8165	5129988-84	13-63	1	
1ADK	1560-304-8166	5129988-88	13-46	1	
1ADK	1560-396-9866	5129988-90	13-92	1	
1ADK		5129988-92	13-	1	
1ADK	1560-304-8167	5129988-96	157-20	2	
1ADK	1560-304-8168	5129988-98	157-14	2	
1ADK		5142986	29-	1	
1ADK		5143008	29-	1	
1ADK	1560-124-1465	5143011	28-12	1	
1ADK		5143047	28-	1	
1ADK		5143047-1	28-	1	
1ADK		5143074	28-	1	
1ADK		5143074-1	28-	1	
1ADK	1560-117-5404	5143117	181-10	2	
1ADK	1560-117-5405	5143117-1	181-	2	
1ADK	1560-124-1469	5143155	29-	2	
1ADK		5143155-2	29-54	2	
1ADK	1560-124-1468	5143164	28-13	1	
1ADK	1560-124-1466	5143206	28-14	1	
1ADK		5143213	28-11	1	
1ADK		5143227	29-	1	
1ADK		5143227-1	29-	1	
1ADK		5143243	192-1	1	
1ADK	1560-182-5090	5143243-1	192-	1	
1ADK		5143275	115-	1	
1ADK		5143291	194-	2	
1ADK		5143291-2	194-1	2	
1ADK		5143291-4	194-2	4	
1ADK	1560-124-1461	5143400	181-28	4	
1ADK		5143530	115-	1	
1ADK		5143549	92-	1	
1ADK		5143555	92-	1	
1ADK		5143556	40-	1	
1ADK	1560-124-3620	5143563	94-	3	
1ADK	1560-109-4479	5143620	195-77	2	
			195-		

Section III
Numerical Index

T.O. 1B-26B-4

STOCK NUMBER			FIGURE and INDEX NUMBER	QTY PER ART- ICAL	SOURCE CODE	
CLASS CODE	FIIN or SERIAL NUMBER	PART NUMBER				
1ADK	1560-180-7604	5143627	42-21	1		
1ADK		5143680	195-83	3		
1ADK		5143686	42-5	1		
1ADK		5143713	42-	1		
			5143713-16	42-25	1	
1ADK			5143748	42-1	1	
				195-		
1ADK			5143778	150-12	2	
1ADK			5143816	29-	1	
1ADK			5143826	29-	1	
1ADK	1560-476-2036	5143833	42-19	1		
1ADK	1560-157-5951	5143834	42-	1		
1ADK		5143835	42-20	1		
1ADK		5143885	57-	1		
1ADK		5143909	181-38	2		
1ADK		5143909-1	181-	2		
1ADK	1560-180-7605	5143948	42-	3	P1	
1ADK	1560-180-7606	5143948-1	195-29			
			42-	2	P1	
			195-			
1ADK	1560-306-8226	5143948-2	42-73	1		
1ADK	1560-306-8227	5143948-3	42-	1		
1ADK		5150046	78-	1		
1ADK		5150048	78-12	1		
1ADK	1560-109-6658	5150052	143-	1		
1ADK	1560-109-6657	5150052-1	143-	1		
1ADK		5150052-2	143-21	1		
1ADK		5150052-3	143-	1		
1ADK		5150053	78-	1		
1ADK		5150073	178-	1		
1ADK	1560-180-9741	5150080	101-31	2		
1ADK	1560-180-9742	5150080-1	101-	2		
1ADK	1560-123-9867	5150084	101-2	1		
1ADK		5150095	99-	1		
1ADK		5150095-2	99-17	1		
1ADK		5150107	82-6	1		
			87-			
1ADK	1560-125-6241	5150109	87-26	1		
1ADK		5150111	87-35	1		
1ADK		5150114	78-	1		
1ADK		5150119	99-	1		
1ADK		5150119-2	99-15	1		
1ADK		5150137	82-23	1		
1ADK		5150142	82-64	1		
1ADK		5150159	200-15	1		
1ADK		5150160	200-	1		
1ADK	1560-109-6926	5150168	187-	1		
1ADK		5150188	82-3	1		
			86-			
1ADK		5150189	86-	1		
1ADK		5150189-2	86-13	1		
1ADK	1560-124-2976	5150190	82-4	1		
			86-			
1ADK		5150191	86-	1		
1ADK		5150191-2	86-38	1		
1ADK	1560-025-4427	5150192	86-	1		
1ADK		5150192-2	86-29	1		
1ADK		5150196	187-51	1		
1ADK		5150211	115-	1		
1ADK	1560-124-2979	5150239	101-34	2		
1ADK	1560-124-2980	5150239-1	101-	2		
1ADK	1560-124-2978	5150244	147-18	1		
1ADK	1560-124-2977	5150259	145-51	1		
			146-			
1ADK		5150287	79-43	1		
1ADK		5150288	79-45	1		
1ADK	1560-121-8040	5150317	71-	1		
1ADK		5150317-2	71-27	1		
1ADK	1560-121-8039	5150318	71-	1		
1ADK		5150318-2	71-35	1		
1ADK		5150355	147-	1		
1ADK	1560-124-2982	5150374	5-13	1		
1ADK	1560-180-9745	5150374-1	5-	1		
1ADK	1560-124-2984	5150375	5-15	1		
1ADK	1560-124-2983	5150376	5-14	1		
1ADK	1560-181-1700	5150376-1	5-	1		
1ADK		5150377	78-2	1		
			79-			
1ADK		5150395	186-7	1		

STOCK NUMBER			FIGURE and INDEX NUMBER	QTY PER ARTI- CAL	SOURCE CODE
CLASS CODE	FIIN or SERIAL NUMBER	PART NUMBER			
1ADK	1560-181-1701	5151907	186-9	1	
1ADK	1560-306-8229	5151931	43-22 43-43	2	
1ADK	1560-306-8230	5151966	186-5	1	
1ADK		5151986	71-	1	
1ADK	1560-181-1703	5151986-10	71-5	1	
1ADK		5152059	200-7	1	
1ADK		5152061	115-	1	
1ADK	1560-123-5628	5152113	77-21	1	
1ADK	1560-306-8231	5152177-1	92-129	1	
1ADK		5152177-10	92-120	1	
1ADK		5152177-11	92-92	1	
1ADK		5152177-12	92-94	1	
1ADK		5152177-13	92-132	1	
1ADK		5152177-14	92-101	1	
1ADK		5152177-15	92-135	1	
1ADK		5152177-16	92-137	1	
1ADK		5152177-17	92-102	1	
1ADK		5152177-18	92-107	1	
1ADK		5152177-19	92-139	1	
1ADK		5152177-2	92-126	1	
1ADK		5152177-20	92-136	1	
1ADK		5152177-21	92-111	1	
1ADK	1560-306-8232	5152177-22	92-131	1	
1ADK		5152177-23	92-130	1	
1ADK		5152177-24	92-117	1	
1ADK	1560-306-8233	5152177-29	92-		
1ADK		5152177-3	92-128	1	
1ADK		5152177-30	92-93	1	
1ADK	1560-306-8235	5152177-31	92-103	1	
1ADK	1560-306-8236	5152177-33	92-96	1	
1ADK	1560-306-8237	5152177-34	92-95	1	
1ADK		5152177-35	92-121	1	
1ADK	1560-306-8238	5152177-36	92-104	1	
1ADK		5152177-37	92-112	1	
1ADK		5152177-38	92-106	1	
1ADK		5152177-39	92-		
1ADK		5152177-4	92-134	1	
1ADK		5152177-40	92-124	1	
1ADK		5152177-41	92-123	1	
1ADK		5152177-42	92-125	1	
1ADK		5152177-43	92-122	1	
1ADK		5152177-44	92-118	1	
1ADK		5152177-45	92-		
1ADK		5152177-46	92-		
1ADK		5152177-47	92-		
1ADK		5152177-48	92-		
1ADK		5152177-5	92-133	1	
1ADK		5152177-6	92-114	1	
1ADK		5152177-7	92-115	1	
1ADK		5152177-8	92-113	1	
1ADK		5152177-9	92-91	1	
1ADK		5152178	91-		
1ADK		5152179	98-		
1ADK		5152237	78-42	1	
1ADK		5152260	197-	1	
1ADK		5152260-1	197-	1	
1ADK		5153002	2-	1	
1ADK		5153002-1	2-	1	
1ADK		5153003	2-1	1	
1ADK			4-		
1ADK	1560-123-5626	5153003-2	4-3	1	
1ADK	1560-123-5625	5153003-3	4-	1	
1ADK	1560-123-5624	5153003-4	4-1	1	
1ADK	1560-123-5623	5153003-5	4-	1	
1ADK	1560-198-7031	5153003-6	4-4	1	
1ADK		5153003-8	4-2	1	
1ADK		5153005	3-1	1	
1ADK			6-		
1ADK		5153005-1	3-	1	
1ADK			6-		
1ADK		5153005-364	6-8	1	
1ADK		5153005-365	6-	1	
1ADK	1560-181-1705	5153006	2-18	2	
1ADK			3-		
1ADK			5-		
1ADK	1560-112-9835	5153006-1	2-	1	
			3-		
			5-		

Section III
Numerical Index

T.O. IB-26B-4

STOCK NUMBER			FIGURE and INDEX NUMBER	QTY PER ART- ICAL	SOURCE CODE
CLASS CODE	FIIN or SERIAL NUMBER	PART NUMBER			
1ADK		5153009	3-9	1	
1ADK		5153009-1	3-	1	
1ADK	1560-181-1706	5153009-2	3-10	1	
1ADK	1560-181-1707	5153009-3	3-	1	
1ADK	1560-181-1708	5153009-4	3-11	1	
1ADK		5153009-5	3-	1	
1ADK		5153014	32-8	1	
1ADK		5153014-1	32-	1	
1ADK		5153017	32-11	1	
1ADK		5153017-1	32-	1	
1ADK		5153020	6-1	1	
			32-		
		5153020-1	33-		
			6-	1	
			32-		
1ADK		5153024	33-		
			3-	1	
			3-		
1ADK		5153024-1	2-	1	
			3-		
1ADK		5153024-36	3-31	4	
1ADK	1560-474-1016	5153024-40	3-30	2	
1ADK	1560-474-1017	5153024-46	3-36	1	
1ADK		5153024-47	3-	1	
1ADK		5153024-78	3-34	1	
1ADK		5153029	7-	1	
1ADK		5153029-1	7-	1	
1ADK		5153029-114	7-39	3	
1ADK		5153029-182	7-	1	
1ADK		5153030	3-2	1	
			7-		
1ADK	1560-123-5616	5153030-1	3-	1	
			7-		
1ADK	1560-182-4814	5153030-120	7-12	1	
1ADK	1560-182-4815	5153030-121	7-	1	
1ADK	1560-182-4812	5153030-128	7-11	1	
1ADK	1560-182-4813	5153030-129	7-	1	
1ADK	1560-250-9563	5153030-136	7-4	1	
1ADK	1560-121-0862	5153030-137	7-	1	
1ADK	1560-123-3911	5153031	3-5	1	
1ADK	1560-123-3910	5153031-1	3-	1	
1ADK	1560-180-7618	5153035	3-3	1	
			7-		
1ADK	1560-180-7619	5153035-1	3-	1	
			7-		
1ADK		5153035-54	7-46	1	
1ADK	1560-125-6744	5153037	3-4	1	
			7-		
1ADK	1560-125-6745	5153037-1	3-	1	
			7-		
1ADK	1560-306-8250	5153037-38	7-58	2	
1ADK		5153037-48	7-53	1	
1ADK		5153037-49	7-	1	
1ADK		5153044	2-20	1	
			5-		
1ADK		5153044-1	2-	1	
			5-		
1ADK	1560-180-7620	5153044-2	5-	1	
1ADK	1560-182-4915	5153044-3	5-	1	
1ADK	1560-117-2363	5153045	5-	1	
1ADK	1560-117-2364	5153045-1	5-	1	
1ADK		5153045-130	5-17	1	
1ADK	1560-182-4919	5153045-131	5-	1	
1ADK		5153045-180	5-10	1	
1ADK		5153045-182	5-11	1	
1ADK		5153045-184	5-12	1	
1ADK	1560-182-4920	5153045-36	5-5	1	
1ADK	1560-182-4921	5153045-37	5-	1	
1ADK		5153048	2-21	1	
			8-		
			9-		
1ADK		5153048-1	2-	1	
			8-		
			9-		
1ADK	1560-124-6064	5153049	9-	1	
1ADK	1560-124-6063	5153049-1	9-	1	
1ADK		5153049-12	9-8	1	
1ADK		5153049-13	9-	1	

STOCK NUMBER			FIGURE and INDEX NUMBER	QTY PER ART- ICAL	SOURCE CODE
CLASS CODE	FIIN or SERIAL NUMBER	PART NUMBER			
1ADK		5153049-14	9-5	1	
1ADK		5153049-15	9-	1	
1ADK	1560-024-3437	5153049-52	9-29	1	
1ADK	1560-024-3438	5153049-53	9-	1	
1ADK	1560-251-9251	5153049-56	9-24	1	
1ADK		5153049-57	9-	1	
1ADK		5153049-74	9-14	1	
1ADK		5153049-75	9-	1	
1ADK		5153049-76	9-6	1	
1ADK		5153049-77	9-	1	
1ADK		5153049-78	9-7	1	
1ADK		5153049-79	9-	1	
1ADK		5153049-86	9-9	1	
1ADK		5153049-87	9-	1	
1ADK		5153049-90	9-10	1	
1ADK		5153049-91	9-	1	
1ADK	1560-396-9875	5153049-96	9-16	1	
1ADK		5153049-97	9-	1	
1ADK	1560-117-2462	5153050	8-	1	
1ADK	1560-117-2461	5153050-1	9-	1	
1ADK		5153050-140	8-	1	
1ADK		5153050-196	8-43	1	
1ADK		5153050-214	8-46	2	
1ADK		5153050-215	8-37	1	
1ADK		5153050-250	8-	1	
1ADK		5153050-251	8-21	1	
1ADK	1560-024-3441	5153050-84	8-	1	
1ADK	1560-024-3442	5153050-85	8-40	1	
1ADK		5153050-88	8-	1	
1ADK		5153050-89	8-29	1	
1ADK	1560-109-4767	5153050-90	8-	1	
1ADK	1560-109-4766	5153050-91	8-48	1	
1ADK		5153052	8-	1	
1ADK		5153052-1	2-	1	
1ADK	1560-182-4922	5153053	2-22	1	
1ADK	1560-182-4923	5153053-1	2-	1	
1ADK		5153060	2-29	1	
1ADK		5153060-1	10-		
1ADK			11-		
1ADK			2-	1	
1ADK		5153062	10-		
1ADK		5153062-1	11-	1	
1ADK		5153067	10-1		
1ADK		5153067-1	36-	1	
1ADK		5153077	10-		
1ADK		5153078	36-	1	
1ADK		5153082	2-30		
1ADK		5153083	13-	1	
1ADK		5153095	2-	1	
1ADK		5153095-1	13-		
1ADK		5153097	2-	1	
1ADK		5153097-1	29-		
1ADK		5153100	2-	1	
1ADK		5153106	15-		
1ADK		5153107	2-	1	
1ADK		5153108	17-		
			18-	1	
			2-		
			17-	1	
			18-		
			2-	1	
			12-		
			2-	1	
			12-		
			2-	1	
			19-		
			2-	1	
			24-		
			2-	1	
			20-		
			2-	1	
			24-		

Section III
Numerical Index

T.O. 1B-26B.4

STOCK NUMBER			FIGURE and INDEX NUMBER	QTY PER ART- ICAL	SOURCE CODE
CLASS CODE	FIIN or SERIAL NUMBER	PART NUMBER			
1ADK		5153135	40-	1	
1ADK		5153137	40-	1	
			41-		
1ADK		5153142	40-6	1	
			67-		
1ADK	1560-030-4273	5153142-10	67-29	1	
1ADK		5153142-12	67-30	1	
1ADK	1560-030-4274	5153142-14	67-18	1	
1ADK	1560-030-4275	5153142-15	67-	1	
1ADK	1560-030-4276	5153142-16	67-35	1	
1ADK	1560-030-4277	5153142-18	67-36	1	
		5153142-2	67-15	1	
1ADK		5153142-20	67-37	1	
1ADK		5153142-28	67-	1	
1ADK	1560-030-4278	5153142-3	67-	1	
1ADK	1560-030-4279	5153142-4	67-16	1	
1ADK	1560-030-4280	5153142-42	67-56	1	
1ADK		5153142-44	67-	2	
1ADK		5153142-46	67-58	2	
1ADK	1560-030-4281	5153142-50	67-54	1	
1ADK		5153142-6	67-27	1	
1ADK	1560-030-4282	5153142-64	67-63	1	
1ADK	1560-030-4283	5153142-65	67-	1	
1ADK	1560-304-0490	5153142-66	67-62	1	
1ADK	1560-304-0491	5153142-67	67-	1	
1ADK	1560-030-4284	5153142-68	67-61	1	
1ADK		5153142-7	67-	1	
1ADK	1560-030-4285	5153142-70	67-64	1	
1ADK	1560-030-4286	5153142-71	67-	1	
1ADK	1560-306-8258	5153142-72	67-24	1	
1ADK	1560-030-4287	5153142-74	67-25	2	
1ADK	1560-030-4288	5153142-76	67-23	2	
1ADK	1560-030-4289	5153142-78	67-22	2	
1ADK	1560-030-4290	5153142-8	67-28	1	
1ADK		5153142-84	67-42	2	
1ADK	1560-030-4291	5153142-86	67-21	1	
1ADK	1560-030-4292	5153142-87	67-	1	
1ADK	1560-030-4293	5153142-88	67-20	1	
1ADK	1560-030-4294	5153142-89	67-	1	
1ADK		5153142-90	67-17	1	
1ADK		5153142-91	67-	1	
1ADK	1560-182-4924	5153144	67-6	2	
			69-		
1ADK		5153144-132	69-1	1	
1ADK		5153144-138	69-4	4	
1ADK		5153144-140	69-3	2	
1ADK		5153144-142	69-2	2	
1ADK		5153144-152	69-10	1	
1ADK		5153144-160	69-12	1	
1ADK		5153144-162	69-13	1	
1ADK		5153145	67-5	1	
			68-		
1ADK		5153145-18	68-1	1	
1ADK		5153145-19	68-	1	
1ADK		5153145-2	68-	1	
1ADK		5153145-20	68-3	1	
1ADK		5153145-21	68-	1	
1ADK		5153145-22	68-50	2	
1ADK		5153145-24	68-52	1	
1ADK		5153145-25	68-53	1	
1ADK		5153145-26	68-	1	
1ADK		5153145-27	68-	1	
1ADK		5153145-28	68-51	1	
1ADK		5153145-6	68-37	1	
1ADK		5153145-7	68-	1	
1ADK		5153146	41-49	1	
1ADK		5153147	40-7	1	
			142-		
1ADK		5153147-10	142-21	1	
1ADK	1560-046-5843	5153147-12	142-	1	
1ADK		5153147-2	142-15	1	
1ADK	1560-182-4925	5153147-3	142-16	1	
1ADK		5153147-4	142-17	1	
1ADK		5153147-5	142-18	1	
1ADK		5153147-6	142-22	1	
1ADK	1560-306-8260	5153147-8	142-19	1	
1ADK		5153147-9	142-20	1	
1ADK		5153153-2	187-72	1	

STOCK NUMBER			FIGURE and INDEX NUMBER	QTY PER ART- ICAL	SOURCE CODE
CLASS CODE	FIIN or SERIAL NUMBER	PART NUMBER			
1ADK		5153162	40-2	1	
1ADK		5153162-10	73-		
1ADK	1560-217-4430	5153162-12	73-22	1	
1ADK	1560-182-4926	5153162-2	73-23	1	
1ADK	1560-182-4927	5153162-4	73-21	1	
1ADK		5153162-42	73-20	1	
1ADK		5153162-44	73-31	1	
1ADK		5153162-46	73-32	1	
1ADK		5153162-50	73-33	1	
1ADK		5153162-54	73-25	7	
1ADK	1560-180-9619	5153162-6	73-24	11	
1ADK	1560-180-9620	5153162-8	73-19	1	
1ADK		5153175	73-18	1	
1ADK	1560-124-6061	5153176	40-	1	
1ADK		5153178	40-4	1	
1ADK		5153179	40-	1	
1ADK		5153180	77-	1	
1ADK		5153181	77-	1	
1ADK		5153183	40-	1	
1ADK		5153187	125-	1	
1ADK		5153211	40-	1	
1ADK		5153214	88-	1	
1ADK		5153219	40-	1	
1ADK		5153223	115-	1	
1ADK		5153225	116-	1	
1ADK		5153227	115-	1	
1ADK		5153232	40-11	1	
1ADK		5153233	78-	1	
1ADK		5153234	78-5	1	
1ADK		5153235	81-	1	
1ADK		5153236	40-12	1	
1ADK	1560-093-3658	5153236-2	82-	2	
1ADK		5153239	40-13	1	
1ADK		5153278	70-	1	
1ADK		5153281	40-14	1	
1ADK		5153281-1	43-	1	
1ADK		5153298	40-	1	
1ADK		5153300	103-	1	
1ADK		5153307	103-1	1	
1ADK		5153312	104-	1	
1ADK		5153313	103-3	1	
1ADK		5153314	106-	1	
1ADK		5153320	40-15	1	
1ADK		5153327	75-	1	
1ADK		5153342	40-	1	
1ADK		5153345	43-	1	
1ADK		5153349	43-83	1	
1ADK		5153353	76-	1	
1ADK		5153356	178-	1	
1ADK		5153358	196-	1	
1ADK		5153523	28A-	1	
1ADK		5153524	28A-	1	
			177-3	1	
			180-	1	
			177-10	1	
			186-	1	
			177-11	1	
			186-	1	
			177-12	1	
			187-	1	
			187-	1	
			187-	1	
			198-	1	
			148-	2	
			148-21	2	
			156-	2	
			148-23	2	
			158-	2	
			148-24	2	
			159-	2	
			148-27	2	
			160-	2	
			148-25	2	
			163-	2	
			148-29	2	
			163-	2	
			115-19	1	
			115-	1	

Section III
Numerical Index

T.O. 1B-26B-4

STOCK NUMBER			FIGURE and INDEX NUMBER	QTY PER ART- ICAL	SOURCE CODE
CLASS CODE	FIN or SERIAL NUMBER	PART NUMBER			
1ADK		5153654	38-36	1	
1ADK		5153654-1	39- 38- 39-	1	
1ADK		5153655	38-88 39-	1	
1ADK		5153688	67-	1	
1ADK		5153688-22	67-7	1	
1ADK	1560-180-9626	5153848-2	5-58	1	
1ADK		5154632	7-	1	
1ADK		5154632-6	7-8	1	
1ADK	1560-180-9630	5154635	7-	1	
1ADK		5154635-16	7-10	1	
1ADK		5154635-18	7-9	1	
1ADK		5154640	43-24	1	
1ADK		5154640-2	43-25	2	
1ADK	1560-180-9632	5154640-4	43-26	1	
1ADK		5154640-6	43-	1	
1ADK	1560-180-9633	5154655	5-20	1	
1ADK	1560-180-9634	5154655-1	5-	1	
1ADK	1560-180-7627	5154656	5-21	1	
1ADK	1560-180-7628	5154656-1	5-	1	
1ADK	1560-474-1018	5154698	80-39	1	
1ADK		5154715	41-	1	
1ADB		5154952H34	50-28	1	
1ADB		5154952L50	50-27	1	
1ADB		5154952N50	50-29	1	
1ADB		5154952N60	50-30	1	
1ADK		5154960	104-76 106-104	2	
1ADK		5154981	92-	1	
1ADK		5154981-44	92-81 94-145	4	
		5154996	28A-	1	
		5154996-1	28A-	1	
1ADK		5154997	115-	1	
		5154999	28A-	1	
		5154999-1	28A-	1	
1ADK		5155381	3-7	1	
1ADK		5155381-1	4- 3- 4	1	
1ADK	1560-251-9250	5155381-38	4-15	1	
1ADK	1560-251-9247	5155381-39	4-	1	
		5155381-4	4-27	1	
		5155381-40	4-	1	
		5155381-41	4-	1	
		5155387	3-8 32-	1	
		5155387-1	3-	1	
1ADK		5155387-34	32-	2	
		5157230	32-7 43-2	1	
		5157230-82	45-	1	
1ADK		5157230-86	45-4	1	
1ADK		5157231	45-	1	
		5157231	45-5	1	
		5157260	177-	1	
		5157262	177- 178-	1	
		5157284	177-15	1	
		5157285	177-2 179-	1	
1ADK	1560-123-9900	5157286	179-	1	
		5157286-22	179-36	1	
1ADK		5157286-28	179-38	1	
1ADK		5157286-30	179-37	1	
1ADK	1560-180-7629	5157289	179-	1	
		5157289-2	179-3	1	
		5157289-4	179-4	2	
1ADK	1560-046-5867	5157317	198-	1	
		5157405	9-	1	
1ADK		5157405-14	9-32	1	
1ADK		5157406	8-50	1	
1ADK		5157406-1	8-	1	
1ADK		5157407	8-51	1	
1ADK		5157407-1	8-	1	

STOCK NUMBER			FIGURE and INDEX NUMBER	QTY PER ART- ICAL	SOURCE CODE
CLASS CODE	FIIN or SERIAL NUMBER	PART NUMBER			
1ADK	1560-123-9892	5157457	77-5	1	
1ADK		5157557	12-	1	
1ADK		5157557-1	12-	1	
1ADK		5157572	82-75	1	
1ADK	1560-121-7920	5157662	78-	1	
		5157662-10	78-43	1	
		5157662-8	78-45	1	
		5157770	32-	1	
		5157770-1	32-	1	
		5157772	32-	1	
		5157772-1	32-	1	
1ADK	1560-306-8264	5157793	77-	1	
		5157794	77-	1	
		5157795	77-	1	
		5157808	3-37	1	
		5157808-1	3-	1	
		5157812	9-1	1	
		5157812-1	9-	1	
		5157825	83-1	1	
		5157826	84-1	1	
		5157827	85-1	1	
1ADK	1560-121-1835	5157844	83-2	1	
		5157862	83-3	1	
		5157862-1	84-3	1	
		5157863	85-3	1	
		5157863-1	77-	1	
		5157871	7-21	1	
		5157871-1	7-	1	
		5157876	7-	1	
		5157878	7-	1	
		5157882	7-	1	
		5158905-1	4-14	1	
		5158905-11	4-	1	
		5158905-17	82-9	1	
		5158905-18	88-	1	
		5158905-2	41-	1	
5158905-25	98-20	1			
5158905-26	95-6	1			
1ADK	1560-121-1834	5158905-29	96-9	1	
		5158905-3	95-1	1	
		5158905-31	96-1	1	
		5158905-33	97-1	1	
		5158905-34	95-9	1	
		5158905-35	96-8	1	
		5158905-36	97-8	1	
		5158905-37	98-21	1	
		5158905-4	98-41	1	
		5158905-43	95-26	1	
1ADK	1560-109-6348	5158905-44	96-16	1	
		5158905-45	97-18	1	
		5158905-46	95-17	1	
		5158905-47	96-25	1	
		5158905-48	97-27	1	
		5158905-49	98-22	1	
		5158905-49	95-28	1	
		5158905-49	96-18	1	
		5158905-49	97-20	1	
		5158905-49	96-24	1	
5158905-49	97-26	1			
1ADK	1560-210-7921	5158905-49	96-22	1	
		5158905-49	97-24	1	
		5158905-49	95-32	1	
		5158905-49	96-28	1	
		5158905-49	97-30	1	
		5158905-49	95-35	1	
		5158905-49	95-23	1	
		5158905-49	98-14	1	
		5158905-49	95-21	1	
		5158905-49	96-12	1	
1ADK	1560-251-5879	5158905-49	97-14	1	
		5158905-49	95-13	1	
		5158905-49	95-16	1	
		5158905-49	95-15	1	
		5158905-49	95-11	1	
		5158905-49	95-24	1	
		5158905-49	96-14	1	
		5158905-49	97-16	1	
		5158905-49	95-19	1	
		5158905-49	96-11	1	
5158905-49	97-13	1			

Section III
Numerical Index

T.O. 1B-26B-4

STOCK NUMBER			FIGURE and INDEX NUMBER	QTY PER ART- ICAL	SOURCE CODE
CLASS CODE	FIIN or SERIAL NUMBER	PART NUMBER			
1ADK		5158905-5	98-9	1	
1ADK		5158905-50	96-20	1	
			97-22		
1ADK		5158905-51	96-31	1	
			97-33		
1ADK		5158905-52	97-11	1	
1ADK		5158905-53	97-9	1	
1ADK		5158905-6	98-39	1	
1ADK		5158905-7	98-7	1	
1ADK		5158905-8	98-12	1	
1ADK		5158906-10	91-42	1	
1ADK		5158906-11	91-44	1	
1ADK		5158906-12	91-43	1	
1ADK		5158906-14	91-45	1	
1ADK		5158906-4	91-27	1	
1ADK		5158906-5	91-29	1	
1ADK		5158906-8	91-47	1	
1ADK	1560-303-7294	5158906-9	91-36	1	
4248	9050-2	5158945-2	117-18	2	
		5158945-4	117-16	1	
		5158945-6	105-17	1	
4248	9050-6	5158956	3-	1	
1ADK		5158956	3-	1	
1ADK		5158956-1	3-	2	
1ADK	1560-255-1602	5158956-18	3-14	1	
1ADK	1560-474-1019	5158956-32	3-13	1	
1ADK	1560-474-1020	5158956-33	3-	1	
1ADK		5159510	88-9	1	
1ADK		5159532	2-1	2	
			4-		
1ADK		5159532-1	2-	2	
			4-		
1ADK		5159532-10	4-38	1	
1ADK		5159532-2	4-35	1	
1ADK		5159532-3	4	1	
1ADK		5159533	12-	1	
1ADK		5159533-1	12-	1	
1ADK	1560-123-9884	5159550	89-59	1	
1ADK		5159559	115-	1	
1ADK		5159571	29	1	
1ADK		5159571-1	29-	1	
1ADK		5159572	29-	1	
1ADK		5159573	29-	1	
1ADK		5159575	29-	1	
1ADK		5159575-1	29-	1	
1ADK		5159576	29-	1	
1ADK		5159576-1	29-	1	
1ADK		5159576-4	29-	1	
1ADK		5159582	200-	2	
1ADK	1560-123-9882	5161524	123-53	1	
1ADK		5161669	123-	1	
1ADK		5161669-2	123-60	3	
1ADK		5162282	123-	1	
1ADK		5190425	28A-	1	
1ADK		5190425-1	28A-	1	
1ADK		5190427	78-	1	
1ADK	1560-125-6243	5190428	78-64	1	
1ADK	1560-474-1025	5190445	7-24	1	
		5190457	28A-	1	
		5190457-1	28A-	1	
		5190465	148-	2	
1ADK	1560-251-5135	5190511	6-2	1	
1ADK	1560-396-9876	5190511-1	6-	1	
1ADK	1560-030-4295	5190511-316	6-3	1	
1ADK	1560-025-4429	5190511-317	6-	1	
1ADK	1560-030-4296	5190511-338	6-5	1	
1ADK	1560-396-9877	5190527	6-	1	
1ADK	1560-396-9878	5190527-1	6-	1	
1ADK	1560-217-4431	5190527-290	6-11	1	
1ADK	1560-183-0707	5190527-291	6-	1	
1ADK		5190528	6-9	1	
1ADK		5190528-1	6-	1	
1ADK	1560-251-5243	5190529	6-	1	
1ADK	1560-396-9879	5190529-1	6-	1	
1ADK	1560-251-5244	5190529-10	6-13	1	
1ADK	1560-251-5241	5190529-11	6-	1	
1ADK	1560-217-4432	5190529-276	6-14	2	
1ADK		5190530	6-17	1	

STOCK NUMBER			FIGURE and INDEX NUMBER	QTY PER ART- ICAL	SOURCE CODE
CLASS CODE	FIIN or SERIAL NUMBER	PART NUMBER			
1ADK		5190530-1	6-	1	
1ADK	1560-109-5296	5190530-162	6-17a	2	
1ADK		5190531	6-	1	
1ADK		5190531-1	6-	1	
1ADK	1560-183-0708	5190532	6-	1	
1ADK	1560-183-0709	5190532-1	6-	1	
1ADK		5190536	33-25	1	
1ADK		5190536-1	33-	1	
1ADK		5190537	33-	1	
1ADK		5190537-1	33-	1	
1ADK		5190538	33-	1	
1ADK		5190538-1	33-	1	
1ADK		5190539	33-	1	
1ADK	1560-221-6909	5190539-1	33-	1	
1ADK		5190540	32-60	1	
1ADK		5190540-1	32-	1	
1ADK	1560-124-1942	5190541	32-41	3	
1ADK	1560-124-1941	5190541-1	33-2		
1ADK		5190542	32-	3	
1ADK		5190542-1	33-	3	
1ADK		5190543	32-58	1	
1ADK		5190543-1	32-	1	
1ADK		5190544	32-49	1	
1ADK		5190544-1	32-	1	
1ADK		5190545	32-	1	
1ADK		5190545-1	32-	1	
1ADK		5190545-816	32-42	1	
1ADK		5190545-817	32-	1	
1ADK		5190547	187-	1	
1ADK		5190557	17-	1	
1ADK		5190557-1	17-	1	
1ADK	1560-436-6169	5190558	17-52	1	
1ADK	1560-436-6170	5190558-1	17-	1	
1ADK		5190560	187-55	1	
1ADK		5190575	43-	1	
1ADK		5190587	104-	2	
1ADK		5190591	110-		
1ADK	1560-231-7550	5190592	88-1	1	
2620	277-3727	519100	104-1	2	
1ADK		5191005	110-58		
1ADK		5191075	143-	2	
1ADK		5191080	78-3	1	
1ADK		5191080-1	79-		
1ADK		5191082	115-	2	
1ADK	1560-183-0710	5191088	116-		
1ADK	1560-183-0711	5191088-8	29-4a	1	
1ADK		5191089	31-		
1ADK		5191089-9	29-	1	
1ADK		5191097	31-		
1ADK		5191170-2	106-8	1	
1ADK	1560-436-6174	5191170-4	150-	2	
1ADK		5191171	150-3	2	
1ADK		5191177	150-	2	
1ADK	1560-183-0712	5191221	150-4	2	
1ADK		5191250	87-4	1	
1ADK	1560-125-4731	5191282	13-3	1	
1ADK		5191283	13-4	1	
1ADK		5191313	13-1	1	
1ADK	1560-123-8998	5191329	102-1	1	
6700	991380-456	5191329-2	104-2	1	
6700	351010	5191329-4	110-57		
1ADK	1560-123-8316	5191330	89-2	1	
1ADK		5191330-2	89-	1	
1ADK	1560-123-8993	5191359	88-		
1ADK		5191359-2	89-	1	
1ADK	1560-175-6743	5191360	89-	1	
1ADK		5191360-2	115-	1	
			70-	1	
			70-27	1	
			70-28	1	
			70-	1	
			70-12	1	
			89-	1	
			89-16	1	
			89-	2	
			89-17	2	

Section III
Numerical Index

T.O. 1B-26B-4

STOCK NUMBER			FIGURE and INDEX NUMBER	QTY PER ART- ICAL	SOURCE CODE
CLASS CODE	FINN or SERIAL NUMBER	PART NUMBER			
1ADK	1560-123-8995	5191835	36-5	2	
1ADK	1560-123-8996	5191838	10-50	1	
1ADK		5191854	60-	2	
			67-		
1ADK		5191854-2	60-39	2	
			67-11		
1ADK		5191859	79-	1	
1ADK		5191859-4	79-8	1	
1ADK		5191859-6	79-9	1	
1ADK	1560-144-6593	5191907-2	23-	1	
1ADK	1560-144-6594	5191907-4	23-	2	
1ADK	1560-144-6595	5191907-6	23-	2	
1ADK		5191929	78-1	1	
			79-		
1ADK		5191929-6	79-1	1	
1ADK		5191957	115-	1	
1ADK		5191972	119-45	1	
1ADK		5192418-20	142-80	1	
1ADK	1560-046-5975	5192418-22	142-78	1	
1ADK		5192418-24	142-79	1	
	1560-251-5238				
1ADK		5192464	115-14	1	
			123-		
1ADK	1560-124-6703	5192491	68-6	1	
1ADK		5192491-1	68-	1	
1ADK		5192501	43-	1	
1ADK	1560-183-0716	5192501-18	43-44	1	
1ADK	1560-183-0717	5192501-20	43-48	1	
1ADK		5192523	106-	1	
1ADK	1560-124-7004	5192534	13-22	1	
1ADK		5192540	106-13	2	
			107-74		
1ADK		5192540-1	106-	2	
			107-		
1ADK		5192557	106-12	1	
1ADK	1560-123-7340	5192564	103-29	1	
1ADK	1560-183-0718	5192565	68-	1	
1ADK	1560-183-0719	5192565-1	68-	1	
1ADK		5192565-2	68-39	2	
1ADK		5192565-4	68-40	2	
1ADK		5192565-6	68-41	2	
1ADK		5192569	6-18	1	
1ADK		5192569-1	6-	1	
1ADK		5192570	6-21	1	
1ADK		5192570-1	6-	1	
1ADK	1560-123-7341	5192571	106-11	1	
1ADK	1560-123-7347	5192585	103-14	1	
1ADK		5192591	117-	1	
1ADK		5193000-100	103-23	1	
1ADK		5193000-102	103-24	1	
1ADK		5193000-104	103-10	1	
1ADK		5193000-106	103-11	1	
1ADK		5193000-108	103-12	1	
1ADK		5193000-110	103-13	1	
1ADK		5193000-112	103-16	1	
1ADK		5193000-114	103-17	1	
1ADK		5193000-116	103-25	1	
1ADK		5193000-118	103-28	1	
1ADK		5193000-120	103-47	1	
1ADK		5193000-122	103-46	1	
1ADK		5193000-124	103-45	1	
1ADK	1560-303-7295	5193000-126	103-44	1	
1ADK		5193000-128	103-32	1	
1ADK		5193000-130	103-31	1	
1ADK		5193000-132	103-30	1	
1ADK		5193000-134	103-37	1	
1ADK		5193000-68	103-43	1	
1ADK		5193000-70	103-42	1	
1ADK		5193000-72	103-41	1	
1ADK		5193000-74	103-40	1	
1ADK		5193000-76	103-39	1	
1ADK		5193000-78	103-38	1	
1ADK		5193000-80	103-36	1	

STOCK NUMBER			FIGURE and INDEX NUMBER	QTY PER ART- ICAL	SOURCE CODE
CLASS CODE	FIIN or SERIAL NUMBER	PART NUMBER			
1ADK		5193000-82	103-35	1	
1ADK		5193000-84	103-34	1	
1ADK		5193000-86	103-33	1	
1ADK		5193000-88	103-5	1	
1ADK		5193000-90	103-6	1	
1ADK		5193000-92	103-7	1	
1ADK		5193000-94	103-8	1	
1ADK		5193000-96	103-9	1	
1ADK		5193030	87-	1	
1ADK	1560-198-3065	5193032	94-160	1	
1ADK		5193035	186-	1	
1ADK	1560-121-8026	5193051	92-63	1	
1ADK		5193058	81-11	1	
1ADK	1560-123-7344	5193061	104-50	1	
1ADK	1560-121-1545	5193062	60-52	2	
1ADK			67-26		
1ADK	1560-183-0720	5193062-1	60-	2	
			67-		
1ADK		5193067	92-	1	
1ADK		5193072	106-	1	
1ADK		5193076	186-	1	
1ADK		5193079	67-	1	
1ADK		5193079-1	67-	1	
1ADK	1560-121-1718	5193079-2	67-14	1	
1ADK	1560-121-1717	5193079-3	67-	1	
1ADK	1560-121-1715	5193079-4	67-13	1	
1ADK	1560-121-1716	5193079-5	67-	1	
1ADK		5193082	104-49	1	
1ADK		5193083	104-15	1	
1ADK		5193084	187-	1	
1ADK		5193090	31-	1	
1ADK		5193090-2	31-31	1	
1ADK		5193091	29-5	1	
			31-		
1ADK	1560-121-0758	5193094	142-9	1	
1ADK		5193098	87-64	1	
1ADK	1560-124-6699	5193099	142-3	1	
1ADK		5193110	104-70	1	
1ADK		5193115	103-	1	
			104-		
1ADK		5193139	104-72	1	
1ADK		5193141	41-	1	
1ADK		5193143	41-50	1	
			187-72	1	
1ADK		5193153-2	187-73	1	
1ADK		5193153-4	187-74	1	
1ADK		5193154-2	187-75	1	
1ADK		5193154-4	104-47	1	
1ADK	1560-123-7351	5193168	13-110	1	
4290	D151	5193174	13-	1	
4290	D151	5193174-1	106-47	1	
1ADK	1560-121-5481	5193182	115-	1	
1ADK		5193185	196-1	4	
			69-	1	
1ADK		5193188	69-53	1	
1ADK		5193188-10	69-15	1	
1ADK		5193188-2	196-2	4	
1ADK	1560-121-2846	5193189	104-	1	
1ADK		5193192	198-	1	
1ADK		5193195	198-43	2	
1ADK		5193195-10	198-40	4	
1ADK		5193195-8	158-	2	
1ADK		5193196	158-	2	
1ADK		5193196-2	142-	1	
1ADK	1560-386-5958	5193198	158-	2	
1ADK		5193199	198-	1	
1ADK		5194441	198-	1	
1ADK	1560-123-7350	5194506	104-17	1	
			198-	1	
			106-	1	
1ADK		5194519	104-	1	
1ADK		5194529	132-	1	
1ADK	1560-251-5592	5194530	104-39	1	
1ADK	1560-117-9509	5194533	198-26	1	
1ADK		5194534	198-27	1	
1ADK		5194535	198-31	1	
1ADK	1560-386-5959	5194536	198-31	1	
1ADK	1560-117-9511	5194537	198-33	1	
1ADK		5194542	198-	1	
1ADK		5194547	115-	1	
1ADK	1560-117-9512	5194549	198-30	1	
1ADK		5194557	116-	1	

Section III
Numerical Index

T.O. 1B-26B-4

STOCK NUMBER			FIGURE and INDEX NUMBER	QTY PER ART- ICAL	SOURCE CODE
CLASS CODE	FIIN or SERIAL NUMBER	PART NUMBER			
1ADK		5194558	198-28 198-34	2	
1ADK		5194562	29-	1	
1ADK		5194566	198-	1	
1ADK	1560-251-3660	5194566-2	198-24	1	
1ADK		5194566-4	198-23	1	
1ADK		5194568	117-	1	
1ADK		5194569	215-	1	
1ADK		5194581	117-	1	
1ADK		5194593	103-2 105-	1	
1ADK			60-1	2	
1ADK			67-1		
1ADK			68-		
1ADK		5194593-12	68-54	2	
1ADK		5194593-4	68-56	2	
1ADK		5194596-24	26-57	1	
1ADK	1560-386-5960	5194596-26	26-58	1	
1ADK		5194597-18	26-38	1	
1ADK		5194597-20	26-37	1	
1ADK		5194597-22	26-36	1	
1ADK		5194597-24	26-34	1	
1ADK		5194597-26	26-29	1	
1ADK		5194597-32	26-49	1	
1ADK		5194597-34	26-47	1	
1ADK		5194597-36	26-45	1	
1ADK	1560-303-7297	5194597-38	26-43	1	
1ADK	1560-303-7298	5194597-40	26-24	1	
1ADK		5194597-42	26-16	1	
1ADK	1560-386-5962	5194597-58	26-12	1	
1ADK	1560-303-7299	5194597-60	26-35	1	
1ADK		5194597-62	26-46	1	
1ADK		5194597-64	26-48	1	
1ADK	1560-386-5964	5194597-66	26-	1	
1ADK	1560-386-5965	5194597-68	26-	1	
1ADK	1560-386-5966	5194597-70	26-	1	
1ADK	1560-303-7300	5194597-72	26-	1	
1ADK		5194597-74	26-	1	
1ADK		5194607	43-	1	
1ADK	1560-125-4732	5194611	150-8	2	
1ADK		5194616-1	14-	1	
1ADK		5194616-10	14-95	1	
1ADK		5194616-100	94-41	1	
1ADK		5194616-102	94-	1	
1ADK		5194616-103	94-7	1	
1ADK		5194616-104	94-	1	
1ADK		5194616-105	94-6	1	
1ADK		5194616-12	14-93	1	
1ADK		5194616-14	14-92	1	
1ADK		5194616-16	14-89	1	
1ADK		5194616-18	14-90	1	
1ADK		5194616-19	94-66	1	
1ADK		5194616-2	14-105	1	
1ADK		5194616-20	94-69	1	
1ADK		5194616-21	94-74	1	
1ADK		5194616-22	94-77	1	
1ADK		5194616-23	94-72	1	
1ADK		5194616-24	94-97	1	
1ADK		5194616-25	94-96	1	
1ADK		5194616-26	94-93	1	
1ADK		5194616-27	94-95	1	
1ADK		5194616-30	94-94	1	
1ADK		5194616-32	94-64	1	
1ADK		5194616-33	94-85	1	
1ADK		5194616-34	94-18	1	
1ADK			94-89		
1ADK		5194616-35	94-88	1	
1ADK		5194616-36	94-17	1	
1ADK		5194616-37	94-32	1	
1ADK		5194616-38	94-31	1	
1ADK		5194616-39	94-61	1	
1ADK		5194616-4	14-99	1	
1ADK		5194616-40	94-46	1	
1ADK	1560-303-7301	5194616-41	94-55	1	
1ADK		5194616-43	94-50	1	
1ADK		5194616-44	94-30	1	
1ADK		5194616-45	94-25	1	
1ADK		5194616-46	94-16	1	
1ADK		5194616-47	94-28	1	

STOCK NUMBER			FIGURE and INDEX NUMBER	QTY PER ART- ICAL	SOURCE CODE
CLASS CODE	FIIN or SERIAL NUMBER	PART NUMBER			
1ADK		5194616-48	94-19	1	
1ADK		5194616-49	94-15	1	
1ADK		5194616-50	94-21	1	
1ADK		5194616-51	94-10	1	
1ADK		5194616-52	94-13	1	
1ADK		5194616-53	94-12	1	
1ADK		5194616-54	94-3	1	
1ADK		5194616-55	94-1	1	
1ADK		5194616-56	94-23	1	
1ADK		5194616-57	94-26	1	
1ADK		5194616-58	94-58	1	
1ADK		5194616-59	94-49	1	
1ADK		5194616-6	14-98	1	
1ADK		5194616-60	94-52	1	
1ADK		5194616-61	94-43	1	
1ADK		5194616-62	94-44	1	
1ADK		5194616-63	94-53	1	
1ADK		5194616-64	94-62	1	
1ADK		5194616-66	94-71	1	
1ADK		5194616-68	94-79	1	
1ADK		5194616-70	94-68	1	
1ADK		5194616-72	94-76	1	
1ADK		5194616-74	94-86	1	
1ADK		5194616-76	94-80	1	
1ADK		5194616-78	94-90	1	
1ADK		5194616-8	14-96	1	
1ADK		5194616-80	94-39	1	
1ADK		5194616-82	94-59	1	
1ADK		5194616-86	94-37	1	
1ADK		5194616-90	94-33	1	
1ADK		5194616-92	94-35	1	
1ADK		5194616-94	94-38	1	
1ADK		5194618	43-	1	
1ADK		5194622	41-	1	
1ADK		5194622-36	41-18	1	
1ADK	1560-251-3662	5194622-38	41-14	1	
1ADK	1560-255-1600	5194622-40	41-11	1	M1
1ADK		5194622-48	41-15	1	
1ADK		5194623	38-	1	
1ADK		5194623-10	38-111	1	
1ADK		5194623-12	38-116	1	
1ADK	1560-125-3469	5194623-14	38-	1	
1ADK	1560-125-3470	5194623-16	38-	1	
1ADK		5194623-2	38-113	1	
1ADK		5194623-4	38-112	1	
1ADK		5194623-6	38-117	1	
1ADK		5194623-8	38-118	1	
1ADK		5194624	38-	1	
1ADK		5194624-10	38-105	4	
1ADK		5194624-12	38-107	1	
1ADK		5194624-13	38-	1	
1ADK	1560-125-3474	5194624-14	38-	1	
1ADK	1560-125-3472	5194624-15	38-	1	
1ADK	1560-125-3473	5194624-16	38-	1	
1ADK	1560-125-3471	5194624-17	38-	1	
1ADK		5194624-2	38-101	1	
1ADK		5194624-3	38-	1	
1ADK		5194624-4	38-100	4	
1ADK		5194624-6	38-102	1	
1ADK		5194624-7	38-	1	
1ADK		5194624-8	38-106	1	
1ADK		5194624-9	38-	1	
1ADK		5194625	43-	1	
1ADK	1560-123-7348	5194627	153-13	2	
1ADK	1560-117-9515	5194630	198-29	1	
1ADK	1560-117-9173	5194645	198-45	1	
1ADK		5194649	179-21	2	
1ADK		5194675	103-4	1	
1ADK			106-		
1ADK		5194687	103-	1	
1ADK	1560-123-7354	5194692	13-6	1	
1ADK	1560-123-7352	5194718	106-50	1	
1ADK		5194747	94-	1	
1ADK		5194748	94-	1	
1ADK		5195401	179-	1	
1ADK		5195401-4	179-11	1	
1ADK		5195404	179-30	1	
1ADK		5195405	155-1	2	
1ADK	1560-121-7389	5195407	19-	1	

Section III
Numerical Index

T.O. 1B-26B-4

STOCK NUMBER			FIGURE and INDEX NUMBER	QTY PER ART- ICAL	SOURCE CODE
CLASS CODE	FIN or SERIAL NUMBER	PART NUMBER			
1ADK	1560-121-7390	5195407-2	21-21	1	P1
1ADK		5195408	19-3	1	
1ADK		5195408-2	19-32	1	
1ADK		5195411	115-9	1	
1ADK	1560-109-4194	5195412	123-	1	
1ADK		5195413	123-20	1	
1ADK		5195414	123-	1	
1ADK		5195415	179-	1	
1ADK	1560-123-7358	5195419	179-32	1	
1ADK	1560-123-7357	5195429	26-1	2	
1ADK	1560-121-0956	5195431	115-52	1	
1ADK		5195432	118-	1	
1ADK		5195433	118-23	1	
1ADK		5195434	118-	1	
1ADK		5195435	115-	1	
1ADK		5195440	115-30	1	
1ADK		5195441	43-	1	
1ADK		5195441-12	198-	1	
1ADK		5195441-14	198-67	1	
1ADK		5195443	198-	1	
1ADK		5195444	179-	1	
1ADK		5195445-10	159-	2	
1ADK		5195445-102	57-66	1	
1ADK		5195445-104	57-136	1	
1ADK	5195445-106	57-125	1		
1ADK	5195445-108	57-127	1		
1ADK	5195445-110	57-128	1		
1ADK	5195445-112	57-130	1		
1ADK	5195445-114	57-144	1		
1ADK	5195445-116	57-146	1		
1ADK	5195445-118	57-111	1		
1ADK	5195445-12	57-155	1		
1ADK	5195445-120	57-60	1		
1ADK	5195445-122	57-157	1		
1ADK	5195445-124	57-158	1		
1ADK	5195445-126	57-84	1		
1ADK	5195445-128	57-162	1		
1ADK	5195445-130	57-87	1		
1ADK	5195445-134	57-86	1		
1ADK	5195445-136	57-153	1		
1ADK	5195445-138	57-	1		
1ADK	5195445-14	57-52	1		
1ADK	5195445-140	57-	1		
1ADK	5195445-142	57-	1		
1ADK	5195445-144	57-	1		
1ADK	5195445-146	57-191	1		
1ADK	5195445-148	57-186	1		
1ADK	5195445-150	57-189	1		
1ADK	5195445-152	57-187	1		
1ADK	5195445-154	57-172	1		
1ADK	5195445-156	57-173	1		
1ADK	5195445-158	57-174	1		
1ADK	5195445-16	57-175	1		
1ADK	5195445-160	57-67	1		
1ADK	5195445-162	57-179	1		
1ADK	5195445-164	57-180	1		
1ADK	5195445-166	57-181	1		
1ADK	5195445-168	57-182	1		
1ADK	1560-303-7302	5195445-18	57-184	1	
1ADK		5195445-2	57-64	1	
1ADK		5195445-20	57-12	1	
1ADK		5195445-22	57-77	1	
1ADK		5195445-26	57-63	1	
1ADK		5195445-28	57-48	1	
1ADK		5195445-34	57-33	1	
1ADK		5195445-36	57-113	1	
1ADK		5195445-38	57-119	1	
1ADK		5195445-4	57-123	1	
1ADK		5195445-48	57-131	1	
1ADK		5195445-50	57-49	1	
1ADK		5195445-52	57-32	1	
1ADK		5195445-54	57-88	1	
1ADK	5195445-56	57-115	1		
1ADK	5195445-58	57-117	1		
1ADK	5195445-6	57-121	1		
1ADK	5195445-66	57-53	1		
1ADK		57-79	1		

STOCK NUMBER			FIGURE and INDEX NUMBER	QTY PER ART- ICAL	SOURCE CODE
CLASS CODE	FIIN or SERIAL NUMBER	PART NUMBER			
1ADK		5195445-68	57-94	1	
1ADK		5195445-72	57-81	1	
1ADK		5195445-74	57-95	1	
1ADK		5195445-76	57-93	1	
1ADK		5195445-8	57-75	1	
1ADK		5195445-80	57-56	1	
1ADK		5195445-82	57-51	1	
1ADK		5195445-84	57-90	1	
1ADK		5195445-86	57-91	1	
1ADK		5195445-88	57-58	1	
1ADK		5195445-90	57-46	1	
1ADK		5195445-92	57-143	1	
1ADK		5195445-96	57-140	1	
1ADK		5195445-98	57-137	1	
1ADK		5195446-66	76-11	1	
1ADK		5195446-68	76-12	1	
1ADK		5195446-70	76-17	1	
1ADK		5195446-72	76-16	1	
1ADK		5195446-74	76-13	1	
1ADK		5195446-76	76-15	1	
1ADK	1560-386-5969	5195446-78	76-10	1	
1ADK	1560-198-4073	5195452	20-1	2	
1ADK			22-20		
1ADK	1560-121-8025	5195453	20-	2	
1ADK			22-21		
1ADK		5195453-2	20-5	1	
1ADK		5195473	187-36	1	
1ADK		5195474	76-	1	
1ADK	1560-112-9568	5195475	187-48	1	
1ADK	1560-109-6660	5195476	75-8	1	
1ADK		5195476-2	75-11	1	
1ADK		5195484	75-	1	
1ADK	1560-125-0233	5195484-10	75-15	1	
1ADK		5195484-4	75-17	1	
1ADK	1560-197-4854	5195500	26-	1	
1ADK		5195502-48	179-44	1	
1ADK		5195507	116-11	1	
1ADK			117-		
1ADK		5195508	43-	1	
1ADK		5195511	200-	1	
1ADK		5195513	116-	1	
1ADK	1560-124-6695	5195515	76-24	1	
1ADK		5195525	119-5	1	
1ADK		5195526	119-24	1	
1ADK	1560-121-0974	5195527	119-	1	
1ADK		5195528	119-	1	
1ADK		5195529	115-39	1	
1ADK			119-		
1ADK		5195534	76-1	1	
1ADK		5195537	57-	1	
1ADK		5195544	116-	1	
1ADK		5195550	116-	1	
1ADK		5195558	116-	1	
1ADK		5195560	76-	1	
1ADK		5195561	116-	1	
1ADK		5195562	116-	1	
1ADK		5195564	116-	1	
1ADK		5195565	116-	1	
1ADK		5195572	117-53	1	
1ADK		5195573	117-	1	
1ADK		5195577	116-	1	
1ADK		5195578	116-	1	
1ADK		5195579	125-	1	
1ADK		5195581	116-	1	
1ADK		5195584	116-	1	
1ADK	1560-210-7922	5195593	76-18	1	
1ADK		5195595	57-	1	
1ADK		5195602	82-22	1	
1ADK	1560-121-1546	5196702	117-36	1	
1ADK		5196708	78-	1	
1ADK		5196709	78-40	1	
1ADK		5196712	78-	1	
1ADK		5196712-2	78-37	1	
1ADK	1560-121-0214	5196733	186-	1	
1ADK		5196733-12	186-19	1	
1ADK		5196737	41-	1	
1ADK		5196738	116-	1	
1ADK		5196749	115-	1	

Section III
Numerical Index

T.O. 1B-26B.4

STOCK NUMBER			FIGURE and INDEX NUMBER	QTY PER ART- ICAL	SOURCE CODE
CLASS CODE	FIIN or SERIAL NUMBER	PART NUMBER			
1ADK		5196810	153-84	4	
1ADK		5196859	153-25	3	
			154-12		
1ADK	1560-183-0745	5196867	153-26	4	
			154-10		
1ADK		5199529	177-5	1	
			181-		
1ADK		5199530	2-	1	
			28-		
1ADK		5199530-1	2-	1	
			28-		
1ADK		52D21NJ3	199-3	1	
1ADK		52SCA418	138-13	1	
1ADK		52SCA419-1	138-11	1	
1ADK		52SCA419-2	138-12	1	
1ADK		52SCA420	138-14	1	
1ADK		52SCA460	136-10	1	
1ADK		52SCA468	173-27	1	
1ADK		52SCA470	128-15	1	
1ADK		52SCA476	164-28	2	
1ADK		52SCA478	164-26	2	
1ADK		52SCA479	164-31	2	
1ADK		52SCA504	59-16	1	
1ADK		52SCA529	126-4	2	
1ADK		52SCA556	55-7	4	
			56-1		
1ADK		52SCA58-1	164-43	4	
1ADK		52SCA58-2	164-44	1	
1ADK		52SCA58-3	164-45	6	
1ADK		52SCA58-4	164-46	2	
1ADK		52SCA58-5	164-47	1	
1ADK		52SCA903	54-23	1	
1ADK		52SCA940	53-12	2	
1ADK		52SCA948	140-5	1	
1ADK		52SCB1277	136-9	1	
1ADK		52SCB2062	132-1	1	
1ADK		52SCB2082	55-2	4	
			56-5		
1ADK		52SCB2083L	55-3	2	
			56-6		
1ADK		52SCB2083R	55-4	2	
			56-7		
1ADK		52SCB402	164-3	1	
1ADK		52SCB403	164-4	2	
1ADK		52SCB404	164-5	2	
1ADK		52SCB405	164-6	2	
1ADK		52SCB406	164-7	1	
1ADK		52SCB407	164-8	1	
1ADK		52SCB411	168-19	1	
1ADK		52SCB412	168-20	1	
1ADK		52SCB417	138-3	1	
1ADK		52SCB449	135-	1	
1ADK		52SCB451	133-	1	
1ADK		52SCB462	134-11	1	
1ADK		52SCB467	173-	1	
1ADK		52SCB474	164-27	2	
1ADK		52SCB477	164-25	1	
1ADK		52SCB480	164-34	1	
1ADK		52SCB481	164-35	1	
1ADK		52SCB482	164-36	1	
1ADK		52SCB483	164-37	1	
1ADK		52SCB486	164-14	2	
1ADK		52SCB492L	129-9	1	
1ADK		52SCB492R	129-	1	
1ADK		52SCB495	127-3	1	
1ADK		52SCB505	199-9	1	
1ADK		52SCB506	199-10	1	
1ADK		52SCB521	130-9	1	
1ADK		52SCB522	130-	1	
1ADK		52SCB523	127-12	1	
1ADK		52SCB532	133-5	2	
1ADK		52SCB534	113-	1	
1ADK		52SCB534-1	113-5	1	
1ADK		52SCB544-1	56-10	2	
1ADK		52SCB545-2	56-12	1	
1ADK		52SCB578	168-18	1	
1ADK		52SCB580	164-38	2	
1ADK		52SCB586	164-48	1	
1ADK		52SCB913	185-25	1	

STOCK NUMBER			FIGURE and INDEX NUMBER	QTY PER ART- ICAL	SOURCE CODE
CLASS CODE	FIN or SERIAL NUMBER	PART NUMBER			
1ADK		52SCB914	185-24	1	
1ADK		52SCB928	56-	1	
1ADK		52SCB928-1	56-17	1	
1ADK		52SCB934	113-3	1	
1ADK		52SCB935	113-	1	
1ADK		52SCB938	140-14	1	
1ADK		52SCC2050	140-	1	
1ADK		52SCC2052	135-	1	
1ADK		52SCC2053	135-10	1	
1ADK		52SCC2066	128-	1	
1ADK		52SCC2067	128-1	1	
1ADK		52SCC401	164	1	
1ADK		52SCC410	168-	1	
1ADK		52SCC413	168-8	1	
1ADK		52SCC415	138-6	1	
1ADK		52SCC416	138-5	1	
1ADK		52SCC435	199-5	2	
1ADK		52SCC436	199-7	1	
1ADK		52SCC438	133-	1	
1ADK		52SCC448-2	59-23	1	
1ADK		52SCC484	164-53	1	
1ADK		52SCC494	127-	1	
1ADK		52SCC499	164-64	1	
1ADK		52SCC502	59-22	1	
1ADK		52SCC515	165-6	1	
1ADK		52SCC516	165-8	1	
1ADK		52SCC517-3	164-52	2	
1ADK		52SCC524	127-16	1	
1ADK		52SCC527	127-	1	
1ADK		52SCC528	127-1	1	
1ADK		52SCC530	54-	2	
1ADK		52SCC533	164-	1	
1ADK		52SCC538	133-	1	
			54-	2	
			164-		
1ADK		52SCC539	127-	1	
1ADK		52SCC543	56-	1	
1ADK		52SCC547-1	56-	1	
1ADK		52SCC547-2	55-	1	
1ADK		52SCC548-1	56-4	1	
1ADK		52SCC548-2	55-1	1	
1ADK		52SCC551	164-70	1	
1ADK		52SCC553	55-	1	
1ADK		52SCC558	55-	1	
1ADK		52SCC571	139-2	1	
			140-		
1ADK		52SCC572	140-22	1	
1ADK		52SCC574	165-	1	
1ADK		52SCC579	168-	1	
1ADK		52SCC597	113-1	1	
1ADK		52SCC900	113-	1	
1ADK		52SCC904-1	54-28	1	
1ADK		52SCC904-2	54-29	1	
1ADK		52SCC910	185-	1	
1ADK		52SCC911L	185-14	1	
1ADK		52SCC911R	185-	1	
1ADK		52SCC915-1	184-14	1	
1ADK		52SCC915-10	185-5	1	
1ADK		52SCC915-11	185-6	1	
1ADK		52SCC915-12	185-7	1	
1ADK		52SCC915-13	185-8	1	
1ADK		52SCC915-14	185-16	1	
1ADK		52SCC915-15	185-20	1	
1ADK		52SCC915-16	185-21	1	
1ADK		52SCC915-2	184-13	1	
1ADK		52SCC915-3	184-11	1	
1ADK		52SCC915-4	184-9	1	
1ADK		52SCC915-5	184-6	1	
1ADK		52SCC915-6	184-8	1	
1ADK		52SCC915-7	184-10	1	
1ADK		52SCC915-8	185-2	1	
1ADK		52SCC915-9	185-4	1	
1ADK		52SCC923	131-	1	
1ADK		52SCC925	114-1	1	
1ADK		52SCC929	128-	1	
1ADK		52SCC930	114-	1	
1ADK		52SCC932	132-	1	
1ADK		52SCC933	134-	1	
1ADK		52SCC939	139-1	1	

Section III
Numerical Index

T.O. 1B-26B-4

STOCK NUMBER			FIGURE and INDEX NUMBER	QTY PER ART- ICAL	SOURCE CODE
CLASS CODE	FIIN or SERIAL NUMBER	PART NUMBER			
1ADK		52SCC943	140-	1	
1ADK		52SCC944	176-2	2	
1ADK		52SCC945L	176-1	1	
1ADK		52SCC945R	37-1	1	
1ADK		52SCD2051	37-	1	
			139-3	1	
			140-		
1ADK		52SCD2059	131-	1	
1ADK		52SCD2061	132-	1	
1ADK		52SCD2118	37-	1	
1ADK		52SCD409	168-	1	
1ADK		52SCD422	54-2	1	
1ADK		52SCD423	54-	1	
1ADK		52SCD440	131-3	1	
1ADK		52SCD441	131-	1	
1ADK		52SCD442	131-	1	
1ADK		52SCD447	59-	1	
1ADK		52SCD450	133-	1	
1ADK		52SCD453	126-	31	
1ADK		52SCD455	55-10	1	
1ADK		52SCD457	55-12	1	
1ADK		52SCD451	134-	1	
1ADK		52SCD469	128-6	1	
1ADK		52SCD472	164-	1	
1ADK		52SCD473	164-22	1	
1ADK		52SCD489	129-	1	
1ADK		52SCD498	130-	1	
1ADK		52SCD507	136-	1	
1ADK		52SCD509	165-5	1	
1ADK		52SCD531	130-	1	
1ADK		52SCD535	130-	1	
1ADK		52SCD536	128-	1	
1ADK		52SCD541	56-	1	
1ADK		52SCD550	164-	1	
1ADK		52SCD561	167-	1	
1ADK		52SCD595	136-	1	
1ADK		52SCD901	164-	1	
1ADK		52SCD921	134-	1	
1ADK		52SCD922	133-	1	
1ADK		52SCD926	129-	1	
1ADK		52SCD927	56-	1	
1ADK		52SCD947	126-1	1	
1ADK		52SCE424	54-	1	
1ADK		52SCE487	199-	1	
1ADK		52SCE490	129-	1	
1ADK		52SCE490-1	129-11	1	
1ADK		52SCE490-2	129-35	1	
1ADK		52SCE491	129-	1	
1ADK		52SCE592	54-	1	
1ADK		52SCF414	138-	1	
1ADK		52SCF485	164-	1	
1ADK		52SCF549	55-	1	
1ADK		52SCH463	126-	1	
1ADK		52SCH508	165-	1	
1ADK		52SCJ400	164-	1	
1ADK		52SCJ454	55-	1	
1ADK		52SCJ459	136-	1	
1ADK		52SCJ909L	177-9	1	
			185-		
1ADK		52SCJ909R	177-	1	
			185-		
1ADK		52SCJ937	167-	1	
1ADK		52SCJ942L	176-	1	
1ADK		52SCJ942R	176-	1	
1ADK		52SCK434	139-	1	
1ADK		52SCK471	164-	1	
1ADK		52SCK920	177-8	1	
			184-		
1ADK		5201400	91-	1	
			92-		
1ADK		5201433	40-	1	
			95-		
1ADK		5201479	40-	1	
			90-		
1ADK	1560-183-0747	5201480	90-28	1	
1ADK		5201481	90-	1	
1ADK		5201484	90-	1	
1ADK		5201496	90-	1	
1ADK		5201499	90-	1	
1ADK		5201502	90-	1	
1ADK		5202155	29-	1	

STOCK NUMBER			FIGURE and INDEX NUMBER	QTY PER ART- ICAL	SOURCE CODE	
CLASS CODE	FIN or SERIAL NUMBER	PART NUMBER				
1ADK	1560-166-2791	5202170	42-11	1		
1ADK		5202231	195-5	1		
5611		5202249	101-1	1		
1ADK		5202250	101-	1		
1ADK		5202251	101-	1		
1ADK		5202252	102-	1		
1ADK		5202284	195-4	1		
1ADK		5202380-2	42-59	1		
1ADK		5202380-4	42-50	1		
1ADK		5202400	49-	1		
1ADK		1560-123-7371	5202401	49-	1	
1ADK			5202402	49-	1	
1ADK		1560-251-3663	5202403	49-13	1	
1ADK	5202403		52-			
1ADK		5202403-2	52-	1		
1ADK		5202403-4	52-49	1		
1ADK		5202404	49-4	1		
1ADK		5202405	122-			
1ADK			49-6	2		
			51-			
			54			
1ADK		5202406	49-	1		
			109-			
1ADK		5202410	49-8	1		
1ADK		5202411	49-	1		
1ADK		5202412	49-7	1		
			50-			
1ADK		5202425	158-	2		
1ADK		5202431	49-5	1		
			50-			
1ADK	1560-121-0213	5202434	148-17	2		
			153-			
1ADK	1560-123-7369	5202435	153-	2		
1ADK	1560-396-9885	5202435-2	153-12	2		
1ADK	1560-123-7373	5202442	148-9	4		
			150-			
		5202450	150-	2		
		5202476	148-28	2		
			161-			
1ADK	1560-123-7364	5202491-14	152-20	1		
1ADK	1560-123-7365	5202491-16	152-19	1		
1ADK		5202491-22	152-26	2		
1ADK	1560-210-7923	5202491-24	152-	1		
		5202500	42-	1		
		5202510	42-	1		
		5202511	42-	2		
			195-			
1ADK	1560-123-7366	5202512	42-	3		
			192-45			
		5202513	42-	1		
		5202515	42-	1		
		5202516	42-	1		
			192-			
		5202519	42-3	1		
		5202520	42-4	1		
		5202527	42-2	1		
			195-			
1ADK	1560-125-6808	5202545	42-	1		
1ADK		5202545-62	42-22	1		
1ADK		5202545-64	42-23	1		
1ADK		5202545-66	42-	1		
1ADK		5202547	195-	1		
1ADK	1560-025-4430	5202561	42-	1		
		5202562	194-	1		
			195-			
		5202564	192-	1		
		5202569	192-	1		
1ADK	1560-121-0965	5202570	42-	2		
			192-44			
1ADK	1560-121-1370	5202571	42-74	2		
			192-			
1ADK	1560-120-9332	5202572	195-	1		
1ADK	1560-120-9333	5202573	195-	1		
1ADK	1560-121-0562	5202574	179-45	1		
		5202582	195-	1		
		5202615	117-34	1		
1ADK	1560-123-7367	5202627	153-	2		
		5202637	82-5	1		
			87-			

Section III
Numerical Index

T.O. 1B-26B-4

STOCK NUMBER			FIGURE and INDEX NUMBER	QTY PER ART- ICAL	SOURCE CODE
CLASS CODE	FIIN or SERIAL NUMBER	PART NUMBER			
1ADK		5202637-2	87-	1	
1ADK	1560-123-7368	5202638	82-1	1	
			83-		
		5202638-2	83-6	1	
		5202638-4	83-4	1	
1ADK	1560-109-4540	5202639	82-14	1	
		5202640	82-7	1	
			87-		
		5202641	82-8	2	
			87-		
1ADK	1560-231-7555	5202681	153-33	4	
1ADK	1560-123-7360	5202682	153-	4	
		5202687	7-	1	
1ADK		5202687-26	7-1	1	
		5202688	7-	1	
		5202688-26	7-	1	
		5202718	19-	1	
		5202719	20-	1	
		5202751	2-	1	
			28A-		
		5202751-1	2-	1	
			28A-		
1ADK	1560-123-7363	5202790	116-	1	
		5202898	181-8	2	
			189-26		
1ADK	1560-123-7362	5202898-1	181-	2	
			189-		
1ADK		5202898-50	189-31	1	
1ADK		5202898-51	189-	1	
1ADK		5202898-60	189-36	1	
1ADK		5202898-61	189-	1	
1280		5203017	177-14	1	
			188-		
1280		5203037	106-	1	
1280		5203206	43-	1	
1ADK		5203237	198-	1	
1ADK		5203261	42-	2	
1ADK		5203263	42-	1	
1ADC		5203263-2	42-49	1	
1ADK		5203264	42-43	1	
1ADK	1560-124-7093	5203267	43-	1	
		5203268	43-	1	
		5203269	4-	1	
		5203285	194-	1	
			195-1		
1ADK	1560-304-2775	5203296	4-8	1	
1ADK		5203512	43-	1	
1ADK	1560-123-8389	5203536	43-	2	
1ADK		5203565	148-16	2	
2000	404000	5203612	43-	2	
1ADK	1560-121-0891	5203669	49-32	1	
1ADK		5203670	49-	1	
1ADK	1560-124-6508	5203756	80-2	1	
1ADK	1560-181-9733	5203773	73-55	1	
1ADK		5203774	40-	1	
			73-		
1ADK		5203864	104-42	1	
1ADK		5203987	103-59	2	
			110-112		
1ADK		5203997	103-	2	
			110-		
1ADK		5204000	29-2	1	
			31-		
1ADK		5204001	29-3	1	
			31-		
1ADK		5204029	29-	1	
1ADK		5204029-1	29-	1	
1ADK		5204029-4	29-10	1	
1ADK	1560-251-5131	5204029-6	29-	1	
1ADK	1560-251-5132	5204029-7	29-	1	
1ADK		5204033	77-10	1	
1ADK		5204033-1	77-	1	
1ADK	1560-124-6505	5204062	60-75	2	
			67-60		
1ADK	1560-181-9731	5204114	7-	1	
1ADK		5204114-6	7-	1	
1ADK	1560-181-9732	5204115	7-	1	
1ADK		5204115-14	7-	1	
1ADK		5204115-16	7-	1	
1ADK		5204149	179-47	1	

STOCK NUMBER			FIGURE and INDEX NUMBER	QTY PER ART- ICAL	SOURCE CODE
CLASS CODE	FILM or SERIAL NUMBER	PART NUMBER			
1ADK	1560-396-9886	5204379	49-	1	
1ADK		5204382	43-	1	
1ADK	1560-109-6702	5204488	122-41	1	
1ADK		5204489	122-	1	
1ADK		5204490	50-	1	
1ADK		5204491	122-	1	
1ADK		5204600	15-	1	
1ADK		5204600-1	15-	1	
1ADK	1560-181-9735	5204628	51-28	1	
		5204629	51-	1	
		5204630	51-	1	
1ADK	1560-124-4098	5204658	192-4	1	
1ADK	1560-123-8511	5204658-1	192-	1	
1ADK	1560-124-6814	5204659	192-3	1	
1ADK	1560-123-8510	5204659-1	192-	1	
1ADK		5204674	2-	1	
		5204675	29-	1	
			2-	1	
			29-	1	
		5204781	116-	1	
1ADK	1560-123-8509	5204787	49-	1	
1ADK	1560-109-6653	5204792	190-4	1	
1ADK	1560-109-6654	5204792-1	190-	1	
1ADK	1560-121-0692	5204794	190-1	1	
1ADK	1560-121-0691	5204794-1	190-	1	
		5204815	115-16	2	
			117-	1	
1ADK	1560-181-9736	5204818	52-	1	
		5204818-2	52-43	2	
		5204854	49-19	1	
		5204872	115-	1	
1ADK	1560-120-9203	5204884	190-2	1	
1ADK	1560-121-1402	5204884-1	190-	1	
		5204894	120-	1	
		5204894-2	120-2	1	
		5204904	40-	1	
			115-	1	
			116-	1	
1ADK	1560-246-0084	5204917	189-33	1	
1ADK		5204917-1	189-	1	
1ADK		5204921	181-	1	
1ADK		5204934	120-	1	
1ADK		5204941	122-	1	
1280		5204965	177-13	1	
			188-	1	
1ADK	1560-125-5507	5204966	188-5	1	
		5204976	122-	1	
		5204982	115-38	1	
			120-	1	
			121-	1	
		5204984	178-1	1	
			190-	1	
1ADK	1560-121-0958	5204996	58-2	1	
		5205018	122-	1	
		5205034	201-3	1	
		5205034-1	201-	1	
		5205045	57-	1	
			58-	1	
		5205046	58-	1	
		5205051	115-15	1	
			123-	1	
1ADK	1560-144-6597	5205059	123-	1	
		5205060	123-	1	
		5205069	116-	1	
		5205084	103-	1	
			105-	1	
		5205099	40-10	2	
			57-	1	
		5205113	200-13	1	
			201-	1	
		5205113-1	200-	1	
			201-	1	
		5205138	116-	1	
		5205139	116-	1	
		5205195	110-1	1	
1ADK	1560-181-9689	5205196	81-26	1	
1ADK	1560-181-9690	5205197	81-	1	
1ADK	1560-118-1025	5205203	81-1	1	
1ADK		5205207	49-	1	

Section III
Numerical Index

T.O. 1B-26B-4

STOCK NUMBER			FIGURE and INDEX NUMBER	QTY PER ART- ICAL	SOURCE CODE
CLASS CODE	FIN or SERIAL NUMBER	PART NUMBER			
1ADK	1560-255-1985	5205208	49-16	1	
		5205209	122-	1	
		5205249	81-	1	
1ADK		5205249-1	81-	1	
1ADK		5205249-2	81-39	2	
		5205264	91-	1	
			92-		
		5205265	40-	1	
			96-		
			5205328	115-	1
	1560-035-0155	5205373	110-	1	
1ADK		5205419	49-	1	
		5205525	29-	1	
		5205525-1	29-	1	
		5205603	110-44	1	
	1560-237-9581	5205634	112-		
1ADK		5205635	148-	2	
1ADK	1560-121-0211		148-13	3	
		5205655	152-		
			104-64	2	
			110-34		
1ADK	1560-123-8330	5205679	110-29.	1	
1ADK		5205713	38-	1	
1ADK		5205716	110-46	1	
1ADK		5205721	2-	1	
1ADK		5205721-1	2-	1	
1ADK		5205722	177-1	1	
			178-		
		5205747	29-	1	
	1560-123-8328	5205747-1	31-		
			29-	1	
1ADK	1560-123-8327	5205755	31-		
1ADK		5205756	178-	1	
1ADK	1560-123-8325	5205756-1	178-	1	
1ADK		5205756-2	178-19	1	
1ADK	1560-117-3387	5205756-3	178-	1	
1ADK		5205764	110-	1	
1ADK	1560-123-9013	5205786	152-	1	
1ADK		5205786-8	152-14	1	
1ADK		5205790	110-52	1	
		5205815	116-	1	
		5205815-2	116-22	1	
		5205815-4	116-34	1	
		5205882	32-	1	
		5205882-1	32-	1	
	5205906	115-	1		
	1560-123-9312		123-		
1ADK		5205965	43-	1	
	1560-123-9011	5205965-2	43-70	1	
1ADK		5205984	111-34	1	
	1560-125-3759	5206024	115-	1	
1ADK		5206036	187-3	1	
1ADK	1560-112-9577	5206137	55-16	1	
		5206193	29-	1	
		5206193-1	30-		
			29-	1	
			30-		
		5206206	116-	1	
		5206223	104-73	1	
		5206224	103-	1	
	1560-476-2309		104-		
5611		5206241	101-	1	
1ADK		5206242	101-	1	
		5206253	40-	1	
			72-		
		5206270	177-	1	
			179-		
	1560-396-9887	5206271	52-1	1	
		5206305	60-	1	
		5206305-10	60-9	1	
		5206305-2	60-7	1	
		5206305-22	60-	1	
		5206305-30	60-14	2	
		5206305-4	60-10	1	
		5206305-6	60-11	1	
	5206305-8	60-8	1		
1ADK	1560-217-4438	5206306	60-6	1	
1ADK		5206307	43-16B	1	
	1560-181-9694	5206310	60-	1	

STOCK NUMBER			FIGURE and INDEX NUMBER	QTY PER ART- ICAL	SOURCE CODE
CLASS CODE	FIIN or SERIAL NUMBER	PART NUMBER			
IADK		5206310-22	60-37	1	
		5206315	40-	1	
IADK		5206315-10	60-	1	
		5206315-14	60-42	1	
IADK		5206315-15	60-	1	
		5206315-17	60-	1	
IADK		5206315-28	60-	1	
		5206315-3	60-	1	
IADK		5206315-32	60-43	1	
		5206315-34	60-50	1	
IADK		5206315-4	60-47	1	
		5206315-42	60-57	1	
IADK		5206315-46	60-12	1	
		5206315-48	60-48	1	
IADK		5206315-50	60-79	1	
		5206315-51	60-	1	
IADK		5206315-52	60-76	1	
		5206315-56	60-77	1	
IADK		5206315-57	60-	1	
		5206315-58	60-78	1	
IADK		5206315-59	60-	1	
		5206315-6	60-49	1	
IADK		5206315-62	60-56	1	
		5206315-64	60-17	1	
IADK		5206315-66	60-28	1	
		5206315-68	60-29	1	
IADK		5206315-7	60-	1	
		5206315-72	60-69	1	
IADK		5206315-8	60-54	1	
		5206315-80	60-45	1	
IADK	1560-117-9973	5206315-82	60-44	1	
		5206336	72-	1	
IADK	1560-117-9972	5206336-2	72-3	1	
		5206338	72-	1	
IADK	1560-117-9971	5206338-2	72-1	1	
		5206339	72-	1	
IADK		5206339-2	72-5	1	
		5206412	179-	1	
IADK	1560-234-3574	5206417	117-	1	
		5206424	4-10	1	
IADK	1560-234-3573	5206424-1	4-	1	
		5206466	195-	1	
IADK		5206533	38-	1	
		5206574	115-23	1	
IADK		5206588	117-	1	
		5206615	57-	1	
IADK	1560-121-8545	5206615-1	12-	1	
		5206617	17-	1	
IADK	1560-121-8544	5206618	17-7	1	
		5206685	117-	1	
IADK	1560-035-0156	5206687	57-	1	
		5206689	58-	1	
IADK	1560-181-9697	5206690	58-	1	
		5206707	115-	1	
IADK		5206709	117-	1	
		5206740	115-41	1	
IADK		5206753	123-	1	
		5206754	110-	1	
IADK	1560-121-8543	5206755	111-	1	
		5206756	117-	1	
IADK	1560-436-6191	5206756-1	17-	1	
		5206757	17-39	1	
IADK		5206757-1	17-	1	
		5206813	117-	1	
IADK		5207033	12-	1	
		5207033-1	12-	1	
IADK		5207047	17-	1	
		5207047-1	17-	1	
IADK	1560-181-9703	5207115	200-	1	
		5207119	200-	1	
IADK		5207142	201-	1	
		5207200	66-5	1	
			111-	1	

M1

Section III
Numerical Index

T.O. 1B-26B-4

STOCK NUMBER			FIGURE and INDEX NUMBER	QTY PER ART- ICAL	SOURCE CODE
CLASS CODE	FIIN or SERIAL NUMBER	PART NUMBER			
		5207268	29-	1	
		5207307	31-		
			43-	1	
			45-		
		5207368	20-	1	
1ADK	1560-125-6751	5207419	48-	1	
1ADK	1560-125-6750	5207419-26	48-	1	
1ADK		5207448	6-	1	
1ADK	1560-396-9889	5207448-1	6-	1	
1ADK	1560-181-9704	5207448-316	6-	1	
		5207448-317	6-	1	
1ADK		5207448-338	6-	1	
1ADK		5207449	6-	1	
1ADK		5207449-1	6-	1	
1ADK		5207449-290	6-	1	
1ADK	1560-251-9240	5207449-291	6-	1	
		5207534	40-	1	
			125-		
		5207575	13-	1	
		5207575-1	13-	1	
		5207581	41-	1	
		5207581-28	41-43	1	
		5207584	40-	1	
			110-		
		5207600	3-	1	
			6-		
		5207600-1	3-	1	
			6-		
		5207609	28-1	1	
		5207609-1	28-	1	
		5207610	28-2	1	
		5207610-1	28-	1	
1ADK		5207614	45-	1	
1ADK		5207632	43-	1	
		5207633	43-4	1	
		5207691	116-	1	
		5207752-500	107-92	1	
		5207752-502	107-97	1	
		5207752-504	107-100	1	
		5207752-506	107-25	2	
		5207752-508	107-27	1	
		5207752-510	107-33	1	
		5207766	40-	1	
			61-		
		5207767	61-	1	
		5207768	61-	1	
		5207770	61-	1	
		5207770-2	61-16	1	
		5207770-4	61-	1	
		5207771	61-	1	
		5207772	61-25	1	
			64-		
		5207782	57-	1	
		5207834	57-	1	
1ADK	1560-144-6596	5207836	42-	1	
		5207850	82-	1	
			84-		
		5207850-2	84-4	1	
		5207850-4	84-7	1	
		5207851	84-2	1	
			85-2		
		5207886	61-	1	
1ADK	1560-181-9706	5207886-2	61-11	1	
1ADK	1560-125-6749	5207886-4	61-13	1	
		5207921	61-15	1	
			62-		
		5207921-2	62-31	1	
		5207961	57-	1	
		5207964	115-77	1	
			118-		
		5207971	40-	1	
			103-		
		5207972	2-	1	
			25-		
1ADK	1560-125-6748	5208007	61-14	1	
			62-		
1ADK	1560-121-1608	5208007-10	62-5	1	
		5208015-8	66-3	1	
		5208037	115-	1	

STOCK NUMBER			FIGURE and INDEX NUMBER	QTY PER ART- ICAL	SOURCE CODE
CLASS CODE	FIIN or SERIAL NUMBER	PART NUMBER			
		5208044	49- 109-	1	
		5208059	61-44	2	
		5208096	61-	1	
		5208137	121-	1	
		5208137-2	121-	1	
		5208151	21-	1	
		5208151-2	21-48	1	
1ADK	1560-181-9775	5208177	38-	1	
1ADK	1560-117-2793	5208178	38-	1	
1ADK	1560-109-7862	5208179	38-	1	
1ADK	1560-109-7861	5208180	38-	1	
1ADK	1560-181-9776	5208187	21-	1	
		5208187-2	21-35	1	
		5208198	64-20	1	
1ADK	1560-124-2494	5208209	61-30	1	
		5208214	40-	2	
			57-		
		5208221	115-17	1	
			117-		
		5208241-502	25-23	1	
		5208241-504	25-22	1	
		5208241-506	25-19	2	
			107-30		
		5208241-510	25-12	1	
		5208241-512	25-6	1	
		5208241-514	25-4	1	
		5208241-516	25-3	1	
		5208241-518	25-5	1	
		5208241-520	25-13	2	
			107-28		
		5208242-502	103-65	1	
		5208242-504	103-66	1	
		5208242-506	103-67	1	
		5208242-510	103-68	1	
		5208242-512	103-64	1	
		5208242-514	103-63	1	
		5208242-516	103-62	1	
1ADK	1560-120-9342	5208246	62-28	1	
		5208258	116-	1	
1ADK	1560-121-1016	5208277	66-2	1	
1ADK	1560-121-1015	5208277-1	66-4	1	
1ADK	1560-121-1021	5208283	62-1	1	
		5208325	2-	1	
			15-		
		5208326	2-	1	
			15-		
1ADK	1560-181-9777	5208335	48-	1	
		5208335-30	48-	1	
		5208356	2-	1	
			29-		
		5208357	2-	1	
			29-		
1ADK		5208369	43-10	1	
1ADK	1560-124-2488	5208394	7-	1	
1ADK		5208394-26	7-	1	
1ADK	1560-124-2489	5208396	7-	1	
1ADK		5208396-26	7-	1	
1ADK		5208397	150-	2	
1ADK	1560-046-6017	5208398	148-	4	
			150-		
1ADK		5208399	148-	2	
			162-		
1ADK		5208400	148-	2	
1ADK	1560-241-1582	5208478	43-	1	
1ADK		5208488	121-2	1	
1ADK		5208503-2	60-40a	1	
1ADK	1560-121-1161	5208503-4	60-41	1	
1ADK	1560-125-7535	5208503-6	60-	1	
1ADK		5208503-8	60-	1	
1ADK		5208504	41-	1	
1ADK	1560-124-2486	5208533	10-38	1	
1ADK	1560-124-2485	5208533-1	10-	1	
1ADK		5208549	148-	2	
			163-		
1ADK		5208575	21-	1	
1ADK		5208575-1	22-	1	
1ADK		5208576	21-	1	
1ADK		5208577	22-	1	
1ADK		5208578	22-	1	

Section III
Numerical Index

T.O. 1B-26B-4

STOCK NUMBER			FIGURE and INDEX NUMBER	QTY PER ART- ICAL	SOURCE CODE
CLASS CODE	FIIN or SERIAL NUMBER	PART NUMBER			
1ADK		5208624	123-	1	
1ADK		5208625	82-76	1	
1ADK	1560-109-4199	5208626	82-	1	
1ADK	1560-124-2484	5208628	82-	1	
			85-		
1ADK		5208628-2	85-4	1	
1ADK		5208628-4	85-7	1	
1ADK	1560-251-9233	5208631	117-	1	
1ADK		5208648	47-	1	
1ADK		5208654	47-9	1	
1ADK		5208663	116-	1	
1ADK		5208697	43-	1	
1ADK	1560-181-9779	5208712	117-	1	
1ADK		5208763	82-	1	
1ADK	1560-234-3583	5208779	21-	1	
1ADK		5208786	9-	1	
1ADK	1560-109-6937	5208786-1	9-	1	
1ADK	1560-181-9780	5208824	187-	1	
		5208851	2-	1	
			3-		
			5-		
1ADK	1560-181-9781	5208851-1	2-	1	
			3-		
			5-		
1ADK	1560-124-2483	5208852	3-	1	
			7-		
1ADK	1560-124-2482	5208852-1	3-	1	
			7-		
1ADK	1560-025-4431	5208852-120	7-	1	
1ADK	1560-025-4432	5208852-121	7-	1	
1ADK	1560-118-0029	5208852-128	7-	1	
1ADK	1560-217-4439	5208852-129	7-	1	
1ADK		5208852-136	7-	1	
1ADK		5208852-137	7-	1	
1ADK		5208853	2-	1	
1ADK		5208853-1	2-	1	
1ADK	1560-124-2477	5208865	8-	1	
1ADK	1560-124-2476	5208865-1	8-	1	
1ADK	1560-124-2478	5208870	9-	1	
1ADK		5208870-14	9-	1	
1ADK		5208875	2-	1	
			22-		
1ADK		5208876	2-	1	
			21-		
1ADK	1560-124-2480	5208882	8-	1	
1ADK	1560-124-2479	5208882-1	8-	1	
1ADK		5208891	32-50	1	
1ADK		5208891-1	32-	1	
1ADK		5208893	32-59	1	
1ADK		5208893-1	32-	1	
1ADK		5208913	6-	1	
			32-		
1ADK		5208913-1	33-	1	
			6-		
			32-		
			33-		
1ADK		5208946	21-58	1	
1ADK		5208946-1	22-45	1	
1ADK		5208981	47-	1	
1ADK		5208981-6	47-1	1	
1ADK		5208985	32-55	1	
1ADK		5208985-1	32-	1	
1ADK	1560-237-9584	5209007	148-	2	
1ADK	1560-124-2471	5209070	81-	1	
1ADK	1560-124-2472	5209070-1	81-	1	
1ADK		5209089	33-22	1	
1ADK		5209089-1	33-	1	
1ADK		5209202	2-	1	
			3-		
			5-		
1ADK		5209202-1	2-	1	
			3-		
			5-		
1ADK		5209203	3-	1	
			6-		
1ADK		5209203-1	3-	1	
			6-		
1ADK		5209204	2-	1	
1ADK		5209204-1	2-	1	

STOCK NUMBER			FIGURE and INDEX NUMBER	QTY PER ART- ICAL	SOURCE CODE
CLASS CODE	FIIN or SERIAL NUMBER	PART NUMBER			
1ADK		5209207	33-19	1	
1ADK		5209207-1	33-	1	
1ADK		5209257	148-18	2	
1ADK		5209261	148-	4	
			150-		
1ADK	1560-237-9585	5209262	148-	2	
1ADK		5209263	150-	2	
1ADK		5209304	158-	2	
1ADK		5209304-2	158-2	2	
1ADK		5209305	148-	2	
			158-		
1ADK		5209307	40-	1	
			115-		
			116-		
1ADK		5209322	104-16	1	
1ADK		5209346	92-	1	
1ADK		5209346-44	92-	2	
1ADK	1560-125-6752	5209434	48-	1	
1ADK	1560-251-5130	5209434-30	48-	1	
1ADK		5209457	29-4	1	
			31-		
1ADK		5209457-1	29-	1	
			31-		
1ADK		5209469	177-7	2	
			183-		
1ADK		5209475	3-	1	
1ADK		5209475-1	3-	1	
1ADK		5209475-2	3-	1	
1ADK		5209475-3	3-	1	
1ADK		5209510	148-57	2	
			163-		
1ADK		5209562	32-	1	
1ADK	1560-396-9891	5209562-1	32-	1	
1ADK	1560-396-9892	5209563	32-	1	
1ADK		5209563-1	32-	1	
1ADK		5209564	32-	1	
1ADK		5209564-1	32-	1	
1ADK	1560-025-4433	5209565	32-	1	
1ADK		5209565-1	32-	1	
1ADK		5209583	57-	1	
1ADK		5209586	40-	1	
			43-		
1ADK		5209587	2-	1	
			16-		
1ADK		5209588	2-	1	
			16-		
1ADK	1560-123-8990	5209594	182-	2	
1ADK	1560-117-3373	5209595	152-	2	
1ADK		5209602	2-	1	
1ADK		5209602-1	2-	1	
1ADK		5209603	27-	1	
1ADK		5209603-1	27-	1	
1ADK		5209604	2-	1	
			3-		
			5-		
1ADK		5209604-1	2-	1	
			3-		
			5-		
		5209605	27-	1	
		5209605-1	27-	1	
		5209606	6-	1	
			32-		
			33-		
		5209606-1	6-	1	
			32-		
			33-		
1ADK	1560-123-8991	5209607	32-40	2	
			33-		
1ADK	1560-123-8992	5209607-1	32-	2	
			33-		
1ADK		5209608	32-	1	
			35-		
1ADK		5209608-1	32-	1	
			35-		
		5209608-34	35-	4	
		5209608-36	35-	4	
		5209609	32-51	1	
		5209609-1	32-	1	
		5209610	33-6	1	

Section III
Numerical Index

T.O. 1B-26B-4

STOCK NUMBER			FIGURE and INDEX NUMBER	QTY PER ART- ICAL	SOURCE CODE
CLASS CODE	FIIN or SERIAL NUMBER	PART NUMBER			
		5209610-1	33-	1	
		5209611	182-	4	
		5209612	182-	2	
		5209636	182-	2	
		5209678	40-	1	
			97-		
		5209705	2-	1	
			3-		
			5-		
		5209705-1	2-	1	
			3-		
			5-		
		5209706	2-	1	
		5209706-1	2-	1	
		5209728	3-	1	
			6-		
		5209728-1	3-	1	
			6-		
		5209741	177-4	1	
			180-		
1ADK		5209776	42-	1	
			191-		
		5209777	177-6	1	
			182-		
		5209780	124-	1	
		5256A18	161-6	2	
		525651-8D	25-20	2	
4831		5275019-500	16-33	1	
1ADK	1560-304-8184	5275019-506	16-46	1	
1ADK	1560-304-8185	5275019-508	16-56	2	
1ADK	1560-304-8186		16-77		
1ADK	1560-304-8187	5275019-510	16-50	2	
1ADK	1560-304-8188	5275019-512	16-76		
			16-53	2	
			16-79		
1ADK	1560-304-8189	5275019-514	16-38	1	
1ADK	1560-304-8190	5275019-516	16-58	1	
1ADK	1560-304-8191	5275019-518	16-62	1	
1ADK	1560-304-8192	5275019-520	16-29	1	
1ADK	1560-304-8193	5275019-522	16-16	1	
1ADK	1560-304-8194	5275019-524	16-15	1	
1ADK	1560-304-8195	5275019-526	16-14	1	
1ADK	1560-304-8196	5275019-528	16-17	1	
1ADK	1560-304-8197	5275019-530	16-23	1	
1ADK	1560-304-8198	5275019-532	16-20	1	
1ADK	1560-304-8199	5275019-534	16-22	1	
		5275019-536	16-60	1	
1ADK	1560-302-7303	5275020-500	16-65	1	
1ADK	1560-303-7304	5275020-502	16-69	1	
		5275020-510	16-67	1	
		5275073	124-15	1	
1ADK		5275122	27-23	2	
1ADK		5275188	115-	1	
1ADK		5275597	32-47	1	
			35-		
1ADK		5275597-1	32-	1	
			35-		
		5275597-16	35-13	1	
		5275597-17	35-	1	
1ADK		5275623	16-45	1	
		5275625	17-70	1	
		5275625-1	17-	1	
		5275647	18-	1	
		5275647-1	18-	1	
		5275692	148-	2	
			149-		
		5275721	29-	1	
		5275722	29-	1	
		5275742	27-	1	
		5275742-1	27-	1	
		5275757	76-	1	
		5275758	27-21	1	
		5275766	107-	1	
1ADK	1560-198-7671	5275784	191-30	1	
		5275831	27-20	1	
		5275857	2-	1	
			17-		
			18-		
		5275857-1	2-	1	
			17-		
			18-		

STOCK NUMBER			FIGURE and INDEX NUMBER	QTY PER ART- ICAL	SOURCE CODE
CLASS CODE	FIIN or SERIAL NUMBER	PART NUMBER			
		5275910	132-	1	
		5275984	27-1	2	
			34-		
		5275984-1	27-	2	
			34-		
		5275985	2-	1	
			27-		
		5275985-1	2-	1	
			27-		
		5275994	102-	1	
		5276071	28A-	1	
		5276071-1	28A-	1	
		5276072	132-23	1	
1ADK		5276080	182-32	1	
1ADK		5276080-1	182-	1	
1ADK	1560-121-1540	5276091	66-1	1	
1ADK		5276105	192-	1	
1ADK		5276105-1	192-	2	
		5276112	2-	1	
			29-		
		5276113	2-	1	
			29-		
1ADK	1560-109-8387	5276188	32-54	1	
1ADK	1560-109-8386	5276188-1	32-	1	
1ADK	1560-109-8385	5276190	32-48	1	
1ADK	1560-109-8384	5276190-1	32-	1	
1ADK		5276206	61-26	1	
			66-		
1ADK		5276206-16	66-8	1	
1ADK		5276206-20	66-9	1	
		5276206-24	66-5	2	
1ADK		5276206-6	66-10	1	
1ADK		5276206-8	66-6	1	
1ADK		5276206-9	66-7	1	
1ADK		5276211-500	191-28	1	
1ADK		5276211-501	191-	1	
1ADK	1560-124-3652	5276212-500	191-26	1	
1ADK	1560-124-3651	5276212-501	191-	1	
		5276249	18-	1	
		5276252	43-	1	
1ADK		5276252-2	43-53		
1ADK		5276317	178-58	8	
			196-		
1ADK	1560-125-3856	5276318	178-57	8	
			196-		
		5276541	92-	1	
1ADK	1560-436-6824	5276601	3-17	1	
1ADK	1560-436-6825	5276601-1	3-	1	
		5276612	193-	1	
		5276625	91-	1	
		5276625-1	91-	1	
1ADK		5276714	107-101	1	
			108-		
		5276714-2	108-15	1	
		5276714-4	108-26	1	
		5276775	115-	1	
		5276987	122-	1	
1ADK	1560-183-6019	5277008	74	1	
		5277008-10	74-	4	
		5277008-2	74-7	2	
		5277008-8	74-	2	
1ADK		5277051	40-	1	
			74-		
		5277051-2	74-17	2	
1ADK	1560-307-9092	5277051-4	74-18	2	
1ADK	1560-183-6018	5277066	74-1	1	
1ADK	1560-183-6017	5277186	151-25	2	
1ADK		5277217	57-	1	
1ADK	1560-109-6705	5277247	57-167	1	
1ADK		5277331	65-	1	
1ADK		5277331-2	65-42	1	
1ADK		5277384	61-	1	
			65-		
1ADK		5277384-2	65-3	14	
1ADK	1560-121-8933	5277574	63-31	1	
1ADK	1560-121-0564	5277575	63-1	1	
1ADK	1560-125-6595	5277576	61-	2	
			63-		
1ADK	1560-232-3278	5277576-4	63-6	2	

Section III
Numerical Index

T.O. 1B-26B-4

STOCK NUMBER			FIGURE AND INDEX NUMBER	QTY PER ARTICAL	SOURCE CODE
CLASS CODE	FIN OR SERIAL NUMBER	PART NUMBER			
1ADK	1560-232-3279	5277576-6	63-7	1	
1ADK		5277576-8	63-8	1	
1ADK	1560-125-7525	5277639	61-	2	
			63-		
1ADK		5277639-2	63-38	1	
1ADK		5277639-6	63-36	2	
1ADK		5277639-8	63-37	1	
1ADK	1560-124-3647	5277651	43-	1	
1ADK	1560-123-3841	5277680	43-11	1	
1ADK	1560-123-3842	5277765-500	191-29	1	
1ADK	1560-123-3843	5277765-501	191-	1	
		5277809	142-24	1	
		5277809-42	142-50	1	
		5277809-44	142-25	1	
		5277809-46	142-25	1	
		5277809-47	142-25	1	
		5277809-54	142-26	1	
1ADK	1560-123-3844	5277821-500	191-27	1	
1ADK	1560-123-3845	5277821-501	191-	1	
1ADK	1560-183-6030	5278001	70-	1	
1ADK		5278001-2	70-	1	
1ADK		5278446	145-70	1	
1ADK	1560-246-1285	5278493	27-31	1	
1ADK		5278792	91-	1	
1ADK		5278792-1	91-	1	
1ADK	1560-183-6021	5278800	70-	1	
1ADK		5278800-2	70-	1	
1ADK		5278800-4	70-	1	
1ADK		5278896	32-	1	
			35-		
		5278896-1	32-	1	
			35-		
		5278896-2	35-	1	
		5278896-3	35-	1	
		5278896-4	35-	2	
1ADK	1560-190-4508	5280335	145-	1	
1ADK		5280335-6	145-59	1	
1ADK		5280886	135-	1	
1ADK	1560-185-1230	5284476	5-18	1	
1ADK	1560-190-4527	5284476-1	5-	1	
		53B110005	170-33	5	
		53B110006	170-31	10	
		53C110008-2	170-27	1	
1ADK		53C110008-3	170-28	1	
		53C4082	115-85	1	
		530GA484	143-54	2	
1ADK		530GA486-1	143-99	2	
1ADK		530GA486-2	143-	2	
1ADK		530GA487	143-98	2	
1ADK		530GA509	143-96	2	
1ADK		530GB482	143-	2	
1ADK		530GB482-2	143-45	2	
1ADK		530GB489	143-83	2	

STOCK NUMBER			FIGURE AND INDEX NUMBER	QTY PER ARTICAL	SOURCE CODE
CLASS CODE	FIN OR SERIAL NUMBER	PART NUMBER			
1ADK		530GB506	143-95	2	
1ADK		530GB507	143-	1	
1ADK		530GB508	143-93	1	
1ADK		530GB510	143-92	2	
		530GB530	116-69	1	
		530GB531	116-74	1	
		530GC3139	143-56	1	
1ADK		530GC479	143-84	2	
1ADK		530GC480	143-85	2	
1ADK		530GC481-1	143-	2	
1ADK		530GC481-2	143-90	2	
4109		530005M1	143-6	2	
4109		530024	145-71	1	
4516		54A04	107-94	1	
		54B130630	132-11	3	
			134-4		
		54B130633-1	91-38	1	
1ADK		540GB182	143-88	2	
		540GE126			P1
		541589-82			M1
1ADK		5418740	49-33	3	
3360		54287	120-51	4	
			121-44		
3340		5470	123-63	1	
6700	063900690	550B	43-16	2	
	245160	5511A	172A-26	1	
		560GC3139	143-56	2	
4516		57A57	107-46	1	
4516		58A76	110-81	4	
			111-31		
4516		58A77	107-47	2	
4831		6-1841-19-1	12-22	1	
4831		6-1841-19-2	12-	1	
4805		6G11123	13-54	1	
3370	304000-6125	6H6	123-65	3	
1015		6M954A	182-17	1	
1015		6M955A	182-	1	
		61D4383-1	61A-1	1	
		61D4383-2	61A-2	1	
5200	667380	62001	195-81	3	
5200	667385	62002	195-82	3	
6000		623	43-56	1	
		6203-19	111-51	2	
			112-11		

Section III
 Numerical Index

T. O. 1B-26B-4

STOCK NUMBER			FIGURE AND INDEX NUMBER	QTY PER ARTICAL	SOURCE CODE
CLASS CODE	FIN OR SERIAL NUMBER	PART NUMBER			
4013	834800-269	6359A18	148-2	6	
4517		66115	16-10	2	
4517		66116	16-11	1	
6580		6981	134-	2	
4835		710-6-12D	57-68	1	
4226		7108D24	116-90	1	

STOCK NUMBER			FIGURE and INDEX NUMBER	QTY PER ART- ICAL	SOURCE CODE
CLASS CODE	FIN or SERIAL NUMBER	PART NUMBER			
4814		712-1A	26-21	1	
4831		717CT4D	11-15	1	
3110	156-6768	7204DB	23-7	2	
3360	073112730	7261K9	108-33	2	
			108-37		
4814		744-4A	26-26	11	
8850	490280	7526	90-6	1	
6500	313425	755-12-2-8	109-24	2	
6500	313473-6	755-22-2-8	94-108	1	
6500	313380	755-6-2-8	148-	2	
6500	313393	755-7-3-8	20-82	2	
2620	269-7303	755500	143-12	2	
6700	206450	765-10	51-14	1	
6700	205830	770A1	159-29	2	
6500	513295-4	79HTED48	148-	32	
1005	486-7793	79449	34-	3	
			185-17		
4517		79465	34-35	1	
2319		8DJ11PKA	58-27	1	
2319		8DJ12PBR	58-21	1	
2319		8DJ20ACY	57-	1	
2319		8DJ21AAF	57-148	1	
2319		8TJ17AAA	11-41	1	
2319		8TJ17AAB	11-39	1	
2319		8TJ17ADL	101-19	1	
2319		8TJ17AFK	102-	1	
2319		8TJ17AGN	102-2	1	
2319		8TJ17AGR	101-	1	
2319		8TJ9PAV	15-32	3	
			57-105		
6326		8T500-2	29-27	2	
6500		8013D2	54-	6	
4257		80312X4	119-37	3	
			120-30		
			121-26		
4517		80929	16-12	1	
5200	172545	81000	182-9	14	
			191-4		
6560	241000-811	82	82-95	1	
6505		8211AL	143-5	1	
4605		8211AR	143-	1	
4605		8239F	145-	1	
1ADK		8244904	116-20	1	
4517		85-2G	43-89	1	
6500	420500	865-2	101-61	1	
5509		869141	141-	1	
6700	873180	88	98-4	1	
3360	074032810	8905K514	117-29	4	
			119-40		
6500		895-8S	157-	4	
4264		9-10831	30-28	5	
			115-		
			123-1		
			123-6		
3360	073112590	9024	120-41	1	
3320		9026	120-42	1	
2345		90594	58-25	1	
2345		90595	58-26	2	
4811		9159	156-1	2	
8850	530150	9200	90-19	2	
			90-29		
		920507	43-85	1	
		920932	43-87	1	
3360	070509005	9300-90B	29-48	2	
6700		940-11	105-	3	
			105-37		
6700	985600	940-7	105-	1	
6700	994900	945-4	36-	62	
6700	995600	945-6	194-20	4	
6500	979400	955-7	186-38	2	
8850	539225	9595	131-21	1	
6500		98-OW2-17	116-35	4	
6500		98-OW5-13	57-178	4	
6500		98-OW5-14	123-41	3	
6500		98-OW5-17	123-42	3	
6500	538755	98-2CP	116-	4	
6500	91A912	98-2MSP	187-	1	
6500	538762	98-5CP	42-24	12	
			57-		
6500		98-7CP12	195-	40	
6500		98FS7-16	195-31	12	

Section III
Numerical Index

T.O. 1B-26B-4

STOCK NUMBER			FIGURE and INDEX NUMBER	QTY PER ART- ICAL	SOURCE CODE
CLASS CODE	FIIN or SERIAL NUMBER	PART NUMBER			
6500 3360 3360 4517	916529-732	98FS7-17 98FS7-18 98FS7-23 980 981 981340	195-26 195-32 195-30 115-2 115-3 16-1	24 8 4 1 2 3	